

# STATE INDIVIDUAL WRESTLING TOURNAMENT MANUAL 2018

## SCHOOL WRESTLING PACKETS

**PACKETS FOR THE INDIVIDUAL STATE TOURNAMENT WILL BE AVAILABLE BEGINNING AT 4:00PM, ON WEDNESDAY, FEBRUARY 14. All team personnel wearing security identification wristbands for the individual wrestling tournament will be allowed free admission to the evening (4:30) session of the state dual team tournament.**

At the Hy-Vee Hall wrestler/team personnel entrance, coaches will sign for their packet of materials that will include security identification wristbands for all team personnel. The following procedure is used to determine the number of security identification wristbands a school will receive in their packet:

- ALL SCHOOLS with qualifiers receive three complimentary security identification wristbands for their coaches.
- Each qualifying wrestler will receive one complimentary security identification wristband.
- Schools qualifying three, or more, wrestlers will receive one complimentary security identification wristband for a team manager.
- Schools ordering additional coaches' security identification wristbands, and/or **ONE** security identification wristband for the sports medicine professional traveling with their team will also find these bands in their packet.
- Additional coaches' wristbands must be purchased by Feb. 8 – coaches' wristbands will NOT be sold at Wells Fargo Arena this year!

**ALL TEAM PERSONNEL will wear their security identification wristbands on their wrists. **New this year** – new wrestler wristbands will be given for each day of the tournament – the new wristbands will be picked up at the check-in for weigh-ins each day. Coaches who have all their wrestlers eliminated but still stay to watch wrestling should pick up their wristbands at the weigh-in checkpoint.**

Security identification wristbands are required to gain entrance into the weigh-in and warm up areas in Hy-Vee Hall and the Tunnel Entrance into Wells Fargo Arena. These security identification wristbands will allow team personnel access for the entire tournament, regardless of how far a school's wrestler(s) advances in the tournament. Security identification wristbands **MUST** be worn on the wrist to gain access. Anyone **NOT** wearing a security identification wristband will **NOT** be allowed access to the secured areas in Hy-Vee Hall and Wells Fargo Arena, which means they will have to buy a ticket and sit in the spectator seating area to watch wrestling. Only those personnel with security identification wristbands will be allowed access to the floor level of the Arena. Damaged bands can be *exchanged* at the Head Table or at the desk in the locker room hallway next to Warm Up Area "A". After entering through Wells Fargo Arena, security identification wristbands will allow access to the spectator seating area through a designated access point.

## **ADMISSION**

### **STATE TOURNAMENT TICKETS:**

Only general admission tickets are sold for the first SEVEN sessions at the state tournament. Only reserved tickets are sold for the FINALS on Saturday evening. There are no 'pass outs' for IHSAA events. Anyone leaving the Arena must purchase another ticket to return.

**STATE TOURNAMENT TICKET PRICE:** \$10.00. Finals tickets can only be purchased at <http://www.hy-veetix.com> or at the Wells Fargo Arena box office. Convenience and handling fees apply for any tickets purchased online.

### ***SCHOOL ADMINISTRATORS ATTENDING STATE WRESTLING TOURNAMENT:***

The Board of Control has adopted a policy allowing school administrators to use their school administrator pass so the administrator and ONE guest may have complimentary admission during the general admission sessions of the state dual and individual wrestling tournaments. THIS EXCLUDES THE STATE INDIVIDUAL FINALS, WHICH REQUIRE A RESERVED TICKET. The school administrator must present a photo ID along with their pass and enter Wells Fargo Arena through the VIP/Media Entrance at the northwest corner. Tickets for any additional guests can be purchased before the tournament online or at the WFA box office in at the main entrance to Wells Fargo Arena. No tickets are sold at the VIP/Media Entrance.

## **ADVANCING TO STATE INDIVIDUAL WRESTLING COMPETITION**

The first and second-place finishers in district competition advance to the state individual wrestling tournament.

If for some reason (injury, illness, ineligibility, etc.) a first or second-place finisher cannot advance or compete in the state tournament, the athletic director from the wrestler's school should call the IHSAA immediately. When this occurs, the third-place finisher from that district will advance to state competition. If a district champion is unable to compete in the state tournament, the runner-up from that district will take the champion's place on the state tournament bracket and the 3<sup>rd</sup>-place wrestler from that district will take the runner-up place on the bracket. If a runner-up is unable to compete, the 3<sup>rd</sup>-place wrestler from that district will take the runner-up's place on the bracket. NOTIFICATION REGARDING INJURY OR ILLNESS MUST BE MADE TO THE ATHLETIC ASSOCIATION BY 9:00PM WEDNESDAY BEFORE THE INDIVIDUAL STATE WRESTLING TOURNAMENT FOR ANOTHER WRESTLER TO ADVANCE TO THE STATE TOURNAMENT. IF THE INJURED/ILL WRESTLER IS A MEMBER OF A TEAM PARTICIPATING IN THE STATE DUALS THE TOURNAMENT MANAGER WILL DETERMINE THE DEADLINE FOR ADVANCEMENT OF THE 3<sup>RD</sup> PLACE DISTRICT WRESTLER. In no case, will a 4<sup>th</sup>-place district finisher advance to the state individual tournament.

If the 1<sup>st</sup>-place, 2<sup>nd</sup>-place, and/or 3<sup>rd</sup>-place district finishers cannot compete in the state tournament, the opposing wrestler who has made weight, and is otherwise eligible, is awarded a forfeit and two advancement points.

## **AWARDS**

In state individual competition, individuals placing 1st-8th in their respective weight classes will be awarded medals by a school representative of the champion wrestler. Individual champions in each weight class will also receive the IHSAA wall chart for their weight class. Wrestlers participating in the awards ceremonies are to wear only school-issued attire. Team

trophies will be awarded to the champion, runner-up, and third-place teams in each classification. The **top three** teams in the state individual tournament will have their picture taken and a picture plaque will be presented to each of the participating team members, and the head coach, compliments of the IHSAA. Additional plaques may be purchased by the school. In addition, the 1st-3rd place teams will receive an IHSAA state wrestling banner.

### **BANNERS, SIGNS, HOOPS, CONFETTI, ETC., PROHIBITED**

The Board of Control of the IHSAA prohibits spectators from displaying any banners or signs, artificial noisemakers, as well as, the use of confetti, etc. Cheerleaders are prohibited from using a paper hoop designed for athletes to run through when coming onto the mat.

### **BOARD POLICY REGARDING SPECTATOR DRESS AT STATE TOURNAMENT SERIES CONTESTS**

Shirts and shoes are required attire for spectators in attendance at all indoor IHSAA-sponsored athletic events.

### **BUS PARKING**

Busses will be allowed to park at Principal Park free-of-charge. Principal Park is about one mile directly south of WFA on 3<sup>rd</sup> Street. Busses will be allowed to drop students off at the 3<sup>rd</sup> Street drop off lane near the Main Entrance to the Arena. After dropping students off, busses will be directed to Principal Park where pep busses ONLY can park free. NO VANS, SUBURBANS, OR CARS ALLOWED!

**Transportation to and from Principal Park and Wells Fargo Arena:** Once they have parked their bus at Principal Park, drivers should call **515-282-8111** and ask for the “**School Bus Shuttle Cab**” to pick them up at Principal Park. The approximate one-way fee will be \$6.00. There is a skywalk entrance about 4 blocks from Principal Park at 2<sup>nd</sup> & Court streets. Please refer to the downtown Des Moines map below for skywalk and points of interest information.

[https://www.iahsaa.org/wp-content/uploads/2018/01/Downtown-Des-Moines\\_Navigation-Map\\_2017\\_Brand-Refresh.pdf](https://www.iahsaa.org/wp-content/uploads/2018/01/Downtown-Des-Moines_Navigation-Map_2017_Brand-Refresh.pdf)

### **CHEERLEADERS**

Information for state wrestling cheerleaders is provided at the following link -

<https://www.iahsaa.org/wp-content/uploads/2018/01/IHSAA-State-Wrestling-Cheer-Information-2018.pdf>

### **CONDUCT COUNTS**

Conduct Counts rules are in effect for all post-season tournaments. Here is a link to Conduct Counts - [http://www.iahsaa.org/wp-content/uploads/2013/08/Conduct\\_Counts\\_Poster.pdf](http://www.iahsaa.org/wp-content/uploads/2013/08/Conduct_Counts_Poster.pdf)

### **DEFAULTS & FORFEITS**

Rule 10-3 in the NFHS Wrestling Rule Book addresses tournament brackets, defaults, and forfeits.

### **FOOD & DRINK IN WELLS FARGO ARENA**

Team personnel may bring outside food and drink into the backstage arena areas through the tunnel from the Hy-Vee Hall ONLY. It is **NOT** permissible to bring outside food and drink into the main arena areas, except for personal water and sports drink containers.

### **GRAND MARCH AT THE STATE TOURNAMENT**

The top eight place winners at state wrestling will participate in the Grand March. **Wrestlers participating in the Grand March of Champions are to wear only school issued attire.** Wrestlers ejected from the tournament will not participate in the Grand March. Awards will not be presented to wrestlers who do not participate in the Grand March. (*Exception: Doctor's / school administrator's excuse.*)

### **IOWA WRESTLING COACHES AND OFFICIALS ASSOCIATION ROOM**

A room for IWCOA members is available in the Southwest corner of the 300 level of Wells Fargo Arena for members of the IWCOA to conduct any business they may have during the tournament. A coach's hospitality room with IWCOA voting is also on the main floor hallway.

### **LENGTH OF PERIODS**

**ALL matches** during post-season competition will consist of three, 2-minute periods (2-2-2).

### **LOCKER ROOMS**

Locker rooms will be available for wrestlers. ALL wrestlers should plan to shower when they are finished wrestling for the day. This will help alleviate any concerns about wrestlers becoming ill or developing a communicable skin condition from not showering. **Soap & towels are NOT provided.**

### **MAPS OF WELLS FARGO ARENA AREA**

Here is a link to the Wells Fargo Arena area maps:

[https://www.iahsaa.org/wp-content/uploads/2018/01/Wrestling\\_WellsFargoMaps\\_2018.pdf](https://www.iahsaa.org/wp-content/uploads/2018/01/Wrestling_WellsFargoMaps_2018.pdf)

### **PERSONNEL PERMITTED AT MAT-SIDE**

A maximum of two school personnel are permitted at mat-side. If your school has paid for a security identification band for an Athletic Trainer, or other sports medicine professional, to travel with your school's wrestlers they are expected to stay in the sports medicine areas reserved for them, unless an injury occurs, at which time they may go on the mat.

### **PHOTOGRAPHY**

Tucker Photo is the official photography service for the State Wrestling Tournament. The website is <http://rtphoto.photorelect.com>. This service includes Award Stand Photos at the State Individual Wrestling Tournament. In addition, wrestling fans may now preview, and order, older Award Stand Photos by visiting Pep Rally Photo website. If you have questions, please contact Tucker Photo at <http://rtphoto.photorelect.com>.

Coaches, managers, and wrestlers are **NOT** allowed to take pictures or video at mat-side.

Spectators may take pictures and video from their seats, but no external power is available. Taking pictures or videotaping in the aisles is strictly prohibited. Information about ordering state tournament photos will be available on the main concourse level throughout the tournament. Questions about award stand photos should be directed to Tucker Photo at <http://rtphoto.photorelect.com>

## PAIRINGS & BRACKETING

In the first round of the state tournament, a champion from one district will be paired with a runner-up from another district. The district tournament sites will be listed alphabetically (A, B, C, D, E, F, G, H) and a random draw will take place to determine what weights will be assigned to the following pairings.

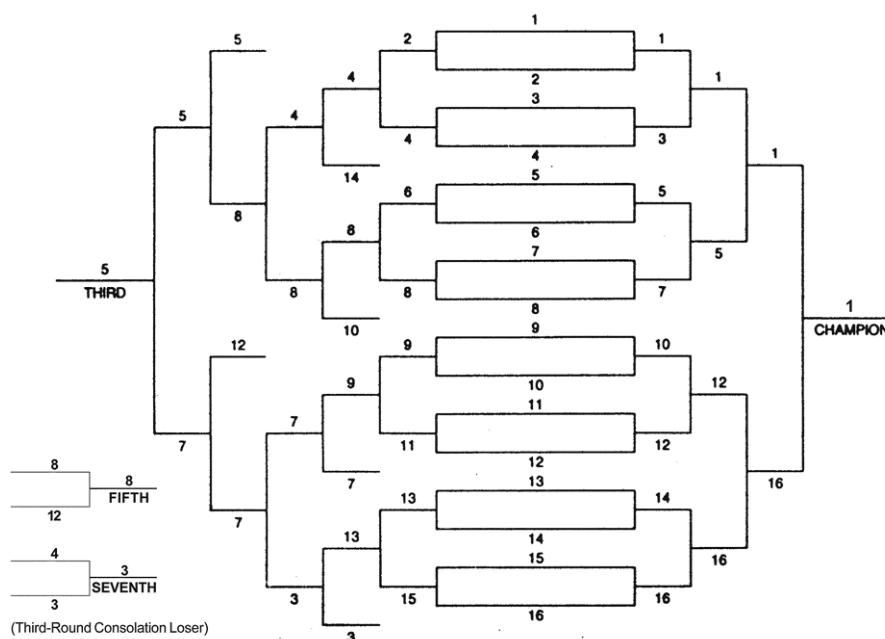
### UPPER BRACKET

A-1	B-1	C-1	D-1	E-1	F-1	G-1
H-2	H-2	D-2	F-2	H-2	B-2	C-2
B-1	D-1	E-1	H-1	B-1	G-1	B-1
G-2	G-2	F-2	C-2	C-2	E-2	D-2
F-1	A-1	G-1	A-1	D-1	D-1	A-1
C-2	F-2	H-2	G-2	A-2	H-2	E-2
E-1	C-1	A-1	E-1	G-1	A-1	H-1
D-2	E-2	B-2	B-2	F-2	C-2	F-2

### LOWER BRACKET

H-1	H-1	D-1	F-1	H-1	B-1	C-1
A-2	B-2	C-2	D-2	E-2	F-2	G-2
G-1	G-1	F-1	C-1	C-1	E-1	D-1
B-2	D-2	E-2	H-2	B-2	G-2	B-2
C-1	F-1	H-1	G-1	A-1	H-1	E-1
F-2	A-2	G-2	A-2	D-2	D-2	A-2
D-1	E-1	B-1	B-1	F-1	C-1	F-1
E-2	C-2	A-2	E-2	G-2	A-2	H-2

## DOUBLE ELIMINATION BRACKET WITH CROSS BRACKETING FROM THE QUARTERFINALS



### **PRAYER AT IHSAA-SPONSORED EVENTS**

IHSAA Board of Control action from February 24, 2001 states, "Prayer shall not be permitted at IHSAA-sponsored events in accordance with the Supreme Court ruling on June 17, 2000". (Supreme Court of the United States, Santa Fe Independence School District vs. Jane Doe, #99-62).

### **SCORING**

Eight place team scoring will be used at the State Tournament (16-12-9-7-5-3-2-1).

### **SEATING FOR TEAM PERSONNEL**

**For sessions 1-7, no team personnel will be permitted into spectator areas until 15 minutes after the spectator doors open.** Seating for team personnel during sessions 1-7 will be at the north end of the Arena directly opposite the head table. Only those personnel wearing security identification wristbands will be allowed to sit in this area.

For the finals, limited seating area will be provided on the floor for those wrestlers in the Grand March. Limited seating will also be provided off the main floor and behind the award stand for other team personnel wearing security identification wristbands.

### **SKIN CHECKS AND COMMUNICABLE SKIN CONDITION FORMS**

Skin checks will be performed at weigh-ins for each class (1A, 2A, & 3A). Any wrestlers with suspect skin conditions **MUST** present a current, completed Wrestling Skin Condition Report at the time of weigh-ins signed by a medical professional stating the condition is **NOT** communicable **OR** stating the wrestler had a communicable condition that is no longer communicable as of the state tournament. A tournament physician will be available the first time each class weighs in to rule on any suspect skin, or other health, conditions. The tournament physician has the **FINAL AUTHORITY** as to whether the wrestler competes in the tournament.

### **SPORTSMANSHIP**

**Good sportsmanship is an expectation at the State Wrestling Tournament.** Athletic Directors and Head Coaches should be sure to visit with their assistant coaches and wrestlers about sportsmanship at the tournament.

### **SPORTS MEDICINE PERSONNEL**

The Athletic Association provides tournament physicians and athletic trainers for the tournament.

**CONCUSSIONS** – While the IHSAA designated tournament physicians and athletic trainers will work with sports medicine professionals a school may bring with them, IHSAA designated tournament physicians and athletic trainers shall have final authority to determine if an athlete who is exhibiting signs, symptoms and behaviors consistent with a concussion shall return to competition at any time during the tournament.

### **TEAM PERSONNEL ENTRANCES INTO THE IOWA EVENTS CENTER**

Team personnel will use the Hy-Vee Hall North Lobby entrance, which is on 3<sup>rd</sup> Street just under the skywalk. Please refer to the online map for the specific location of this entrance. This entrance is posted as the "WRESTLER & WORKER ENTRANCE" and will **OPEN 1 HOUR BEFORE THE FIRST WEIGH INS ARE SCHEDULED EACH DAY.**

The team personnel entrance into Wells Fargo Arena is **through the tunnel from the Hy-Vee Hall**. This is the **ONLY** entrance team personnel will be admitted free-of-charge. **ONLY TEAM PERSONNEL WEARING SECURITY IDENTIFICATION BANDS WILL ADMITTED THROUGH THIS ENTRANCE**. Saturday entry due to weigh-ins being held on Wells Fargo Arena floor will be through the skywalk above 3<sup>rd</sup> Street as well as the “cheerleader” entrance on the east side of 3<sup>rd</sup> Street.

### **VALUABLES**

NEVER KEEP VALUABLES IN THE WEIGH-IN OR WARM UP AREAS OR THE LOCKER ROOM. EACH SCHOOL IS RESPONSIBLE FOR KEEPING THEIR VALUABLES WITH THEM AT ALL TIMES!

### **WARM UP AREAS**

Warm up areas are provided at Wells Fargo Arena and in Hy-Vee Hall.

### **WEIGH-INS**

**STATE INDIVIDUAL WRESTLING TOURNAMENT WEIGH INS WILL TAKE PLACE IN HY-VEE HALL ROOMS #101 - #103 AT THE SCHEDULED STARTING TIMES.** Team personnel will use the Hy-Vee Hall North Lobby entrance that is on 3<sup>rd</sup> Street just under the skywalk. Please refer the online map for the specific location of this entrance. **This entrance will be posted as the “WRESTLER & WORKER ENTRANCE” and will OPEN ONE HOUR BEFORE THE FIRST WEIGH-IN is scheduled to begin each day. **SATURDAY MORNING WEIGH INS WILL TAKE PLACE ON WELLS FARGO ARENA FLOOR, MATS 5-8, WITH ENTRANCE BEING THE 3<sup>RD</sup> STREET SKYWALK OR THE “CHEERLEADER ENTRANCE” DOOR ON THE EAST SIDE OF THIRD STREET.****

Coaches do not need to bring weigh-in sheets for the state tournament because the weight class for all wrestlers was determined at the district meet.

Weigh-ins will begin at the 106# weight class and proceed through the 285# weight class. Wrestlers will be called to the scale alphabetically, by school. As per NFHS rules, the consecutive day scale allowance is in effect up to a maximum of 2 pounds. *ALL wrestlers will receive a 1-pound scale allowance on Thursday and an additional pound on Friday, but will receive NO additional scale allowance on Saturday.* Coaches will receive specific weigh-in instructions and procedures.

### **WEIGHT CHECKS**

Wrestlers will be allowed to check their weight on Wednesday evening from 4:00pm - 8:00pm in Hy-Vee Hall rooms #101 - #103. Entrance will be through the Hy-Vee Hall North Lobby Entrance that is on 3<sup>rd</sup> Street just under the skywalk. The entrance will be posted as the “WRESTLER & WORKER ENTRANCE.” Packets for the state individual tournament can also be picked up after 4:00pm on Wednesday.

Team personnel wearing security identification wristbands for the individual wrestling tournament will be allowed free admission to the state dual team tournament evening session (4:30 start).

A scale will also be available in the locker room at Wells Fargo Arena throughout the individual tournament so wrestlers can check their weight.

### **WRESTLING EXPENSE ALLOWANCE**

*A prerequisite for receiving any expense allowance from the IHSAA is that your school must travel to another town for the tournament.*

#### **Mileage for ALL rounds of post-season:**

1-4 participants = \$.48 per mile, one way  
5-8 participants = \$.95 per mile, one way  
>8 participants = \$1.20 per mile, one way

#### **Additional Expense Allowance**

##### **State tournament:**

Travel <50 miles = \$0.00

Travel 50-99 miles = \$10.00 per qualifier, for as many days as at least one qualifier continues to participate in the tournament.

Travel >99 miles & NO lodging used = \$16.00 per qualifier, for as many days as at least one qualifier continues to participate in the tournament.

Travel >99 miles & lodging USED = \$40.00 per qualifier, for as many days as at least one qualifier continues to participate in the tournament.

01/18