

ESTRADA™ OWNER'S MANUAL

READ AND SAVE THESE INSTRUCTIONS!

Safety and the proper operation of your Casablanca fan both require a thorough knowledge of the product and proper installation; therefore, before attempting to install and operate your Casablanca fan, read this owner's manual completely and carefully. Retain this manual for future reference.

CAUTION: To avoid possible electrical shock, make certain that electricity is turned off at the circuit breaker or fuse box before attempting any installation procedure.

CONTENTS

| | |
|---|----|
| INTRODUCTION..... | 2 |
| Before You Start | 2 |
| Safe Use | 2 |
| MOUNTING RECOMMENDATIONS | 3 |
| General Guidelines..... | 3 |
| Sloped Ceiling Installations | 3 |
| FAN INSTALLATION | 4 |
| Getting Started | 4 |
| Crossbar Mounting Bracket Installation..... | 4 |
| Lag Screw Installation (optional)..... | 5 |
| Perma•Lock™ Hardware..... | 5 |
| Fan Preparation..... | 5 |
| Canopy Hardware..... | 6 |
| Canopy Installation | 6 |
| Hanging the Fan | 6 |
| Canopy Electrical Connections..... | 7 |
| Canopy Hatch Installation..... | 7 |
| Blade Installation..... | 7 |
| Remove Shipping Blocks | 8 |
| Blade/Blade Holder Installation..... | 8 |
| Remove Switch Housing Cap Screws | 8 |
| Install Switch Housing | 9 |
| Connect Wires | 9 |
| Install Switch Housing Cap Screws | 9 |
| 3-Speed • Operation | 10 |
| 3-Speed • Optional Light Fixture Installation | 10 |
| TROUBLESHOOTING TIPS..... | 11 |
| CARE RECOMMENDATIONS | 12 |
| PRODUCT SPECIFICATIONS | 12 |
| AUTHORIZED SERVICE CENTERS | 13 |

INTRODUCTION BEFORE YOU START

- **CAUTION: RISK OF ELECTRICAL SHOCK!** Installation is to be in accordance with the National Electrical Code, ANSI/NFPA 70-1999, and local codes. All wiring must be performed in accordance with national and local electrical codes. If you are unfamiliar with the wiring codes, you should use a qualified electrician. To avoid overheating and possible damage to other equipment, do not install control to a receptacle, fluorescent light fixture, motor operated appliance, or transformer-supplied appliance.
- This fan is designed to be installed on an existing electrical outlet box. The outlet box must be UL Listed for ceiling fan installations. If it is not, a new box must be installed. Casablanca extension poles are available for sloped or high ceiling installations.
- This ceiling fan requires a grounded electrical supply of 120 VAC, 60 Hz and a minimum 15 amp circuit. The maximum current requirement for the fan with light fixture is 3 amps. The fan uses about 1 amp or 100 watts. Maximum light current is about 2 amps or 240 watts of lighting.
- Where wire nuts are employed, be sure all bare wires are within the connectors. When installing the canopy hatch, make sure all wires are within the canopy and that no wires are being pinched.
- **WARNING:** Do not bend the blade brackets when installing the brackets, balancing the blades or cleaning the fan. Do not insert foreign objects in between the rotating fan blades.
- **WARNING:** To reduce the risk of fire or electric shock, do not use this fan with any solid state speed control device. Use only the control provided with or recommended for this fan.

Unpacking

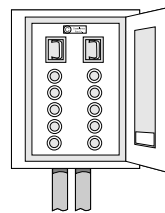
Before assembling and installing your ceiling fan, remove all parts from the shipping cartons and check them against the parts listed in the parts guide. Before discarding packaging material, be certain that all parts have been removed.

**For best performance and for your warranty to be valid,
use only genuine Casablanca blades, light fixtures, and accessories.**

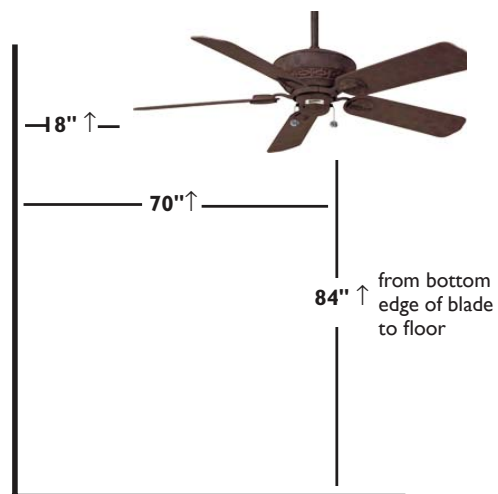
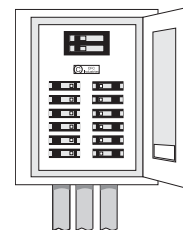
SAFE USE

- The blades in each pack are matched for equal weight to assure smooth fan operation. If more than one fan is being installed, be careful not to mix blades from different cartons.
- Inspect the contents of your carton for possible shipping or handling damage. If parts are missing or damaged, call 1-888-227-2178.
- It is always a good idea to have an assistant to help with the installation.
- When cleaning, painting, or working near your fan, be very careful of the fan and blades. Always turn the power OFF to the ceiling fan before working on it or replacing lightbulbs.
- Never insert anything into the path of the fan blades while the fan is in operation.
- Never install a fan over a pool or spa.
- Never operate a fan that has been damaged in anyway. Contact Casablanca Fan Company by calling 1-888-227-2178, or contact your local authorized Casablanca dealer for assistance in obtaining service.

Fuse Box
(Remove fuse for the circuit you will be working on)



Circuit Breaker
(Trip breaker for the circuit you will be working on)





MOUNTING RECOMMENDATIONS

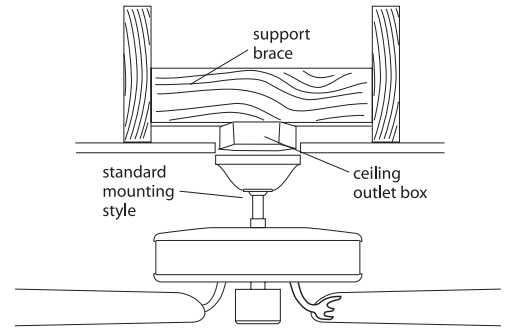
GENERAL GUIDELINES

Before mounting your Casablanca fan, read the following helpful recommendations. The location of the fan, air circulation, and fan size are all important factors to consider before installation.

Location

Ceiling fans have practical uses in almost every room in your home. We suggest you follow these mounting recommendations as you decide where to install your Casablanca fan.

- For safety reasons, the fan blades must be a minimum of 7' above the floor.
- Do not locate the fan in a doorway or above a swinging door.
- In bedrooms, fans work best when mounted above the foot of the bed.
- Over pool tables, be sure to provide plenty of clearance to avoid damage from pool cues.
- In kitchens be sure to allow for open cupboard doors to clear the fan blades.
- Do not install a fan close to or over a pool or spa. High humidity combined with corrosive gases will destroy the finish and warp the blades.



Fan Size

Variable fan speed capability permits the use of a full-size 52" fan even in smaller rooms. For very large rooms, two fans may be needed.

SLOPED CEILING INSTALLATIONS

| SUGGESTED EXTENSION POLE LENGTHS | |
|----------------------------------|-------------|
| Ceiling Height | Pole Length |
| 8' 0" | standard |
| 8' 6" | standard |
| 9' 0" | 6" |
| 9' 6" | 12" |
| 10' 0" | 12" |
| 11' 0" | 18" |
| 12' 0" | 24" |
| 13' 0" | 36" |
| 14' 0" | 48" |

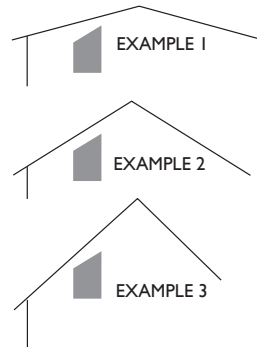
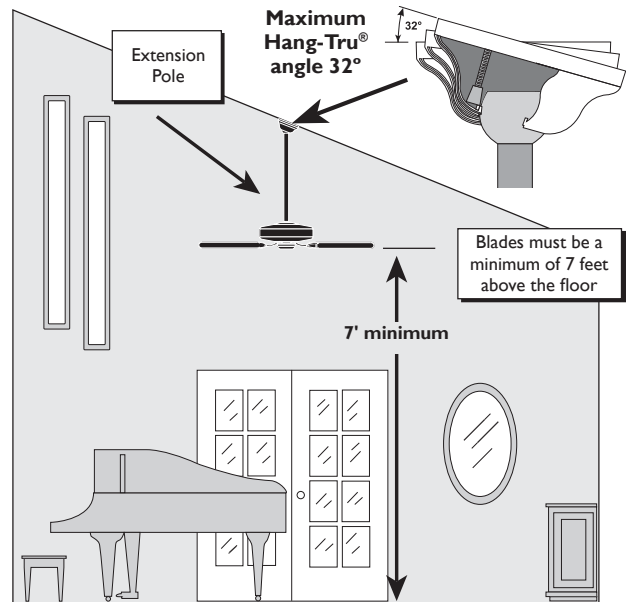
When to Use Extension Poles

For optimum performance and appearance, an extension pole should be used with your Casablanca fan when installing on high (cathedral) ceilings or sloped ceilings. Casablanca offers standard poles in increments of 6" up to 5'. Custom poles are available in lengths up to 9'. See your Authorized Casablanca Dealer for details.

NOTE: Fan may wobble or vibrate if pole length is not long enough and inside blade is too close to downslope or side wall. Extending pole length will usually solve problem.

Calculation of Ceiling Angle

Use the tear-off *Ceiling Angle Template* card inserted in this manual. It provides you with a simple "go" or "no-go" for installing your fan on a sloped ceiling.



This slope is less than 32°. It is OK to install your fan.

This slope is 32°. This is the maximum slope that will allow the fan to hang straight down. It is OK to install your fan.

This slope is more than 32°. Your fan will not hang straight down, an adaptor is necessary. Contact your local Authorized Casablanca Dealer in regards to purchasing a "Sloped Ceiling Adaptor."

FAN INSTALLATION GETTING STARTED

Installing a New Ceiling Fixture Outlet Box

If you do not have an existing fixture located where you wish to place your Casablanca fan, an approved ceiling fixture outlet box must be installed and wired.

WARNING!

To reduce the risk of fire, electrical shock, or personal injury, mount to outlet box marked "Acceptable Fan Support of 22.7 kg (50 lbs.) or less" using the mounting hardware provided with the outlet box.

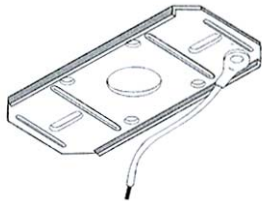
Using Existing Ceiling Fixture Outlet Box

After turning the power OFF at its source (either the circuit breaker or fuse box), lower the old fixture and disconnect the wiring. Check the ceiling fixture outlet box to be sure it is marked "Approved for Ceiling Fan Mounting." If it is not, a new box must be installed.

NOTE: The weight of this fan is 25 pounds.

CROSSBAR MOUNTING BRACKET INSTALLATION

CEILING HARDWARE (not to scale)



Crossbar Mounting Bracket



Wire Nut (4)

ADDITIONAL HARDWARE



NOTE: After removing the old fixture, check the outlet box to insure that it is supported by a joist or beam across its upper surface. If not, a 2 x 4 stud must be installed.

Step 1a. Remove the knockout plug in the center of the outlet box or drill a 1/2" hole for the lag screw to pass through. Then drill a 1/4" guide hole into the joist or beam to a depth of 3 inches.

Step 1b. Route the outlet box wires through the keyhole slot of the crossbar mounting bracket as shown. Attach the crossbar mounting bracket to the outlet box with the screws provided, making sure the outlet box wires are not pinched by the washer.

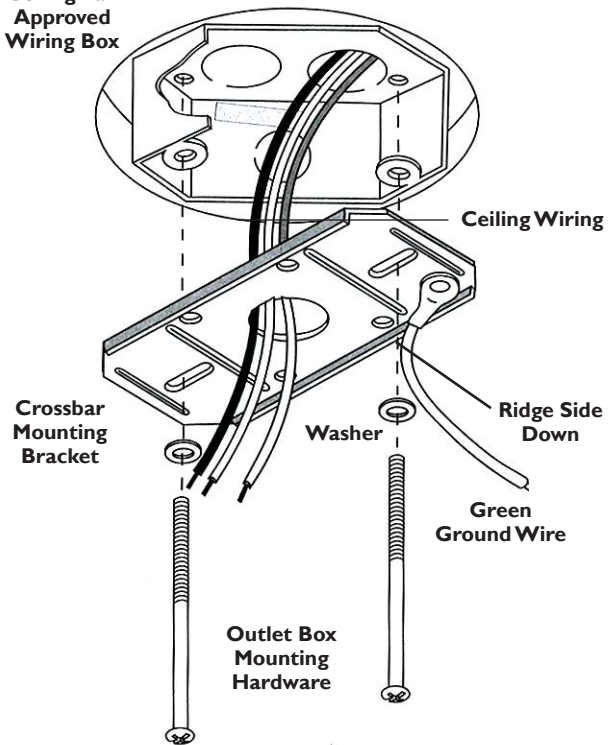
CAUTION:

To reduce the risk of personal injury, use only the mounting hardware provided with the approved outlet box to install the crossbar mounting bracket.

WARNING!

Support directly to building structure only.

Ceiling Fan Approved Wiring Box

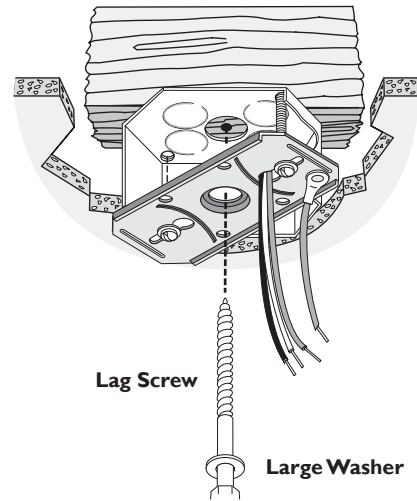




LAG SCREW INSTALLATION (OPTIONAL)

NOTE: This step is required only under two conditions: If the fan weighs 36 lbs. or more (which does not pertain to this fan) or if the existing ceiling fixture outlet box needs to be modified for a ceiling fan application (for example, if the house is not new construction and you are replacing an existing light fixture). We recommend that the ceiling box be of sufficient capacity to support the weight of the fan and light fixture under any conditions. If in doubt whether you need to install the lag screw, consult a qualified electrician.

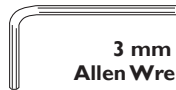
Step 2 (optional). With the large washer attached, pass the lag screw (Pack A) through the center hole of the crossbar mounting bracket and screw into the guide hole. Tighten until the outlet box is mounted firmly to the beam. This box must be secured to the ceiling firmly.



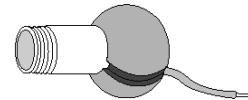
PERMA•LOCK™ HARDWARE



Allen Set Screw
1/4-20 x 1/4"
(Pre-installed)



**3 mm
Allen Wrench**

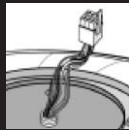


**Downrod & Ball
Assembly**

FAN PREPARATION

CAUTION:

Before trimming wires or installing the downrod, pull the wires on the bottom of the fan to assure they are all the same length as shown.



Important safety information!
Before starting the installation of your ceiling fan, install the threaded downrod into the motor coupling and lock the assembly.

Prepare for fan installation as follows:

Step 3a. Route the wires from the motor through the Perma•Lock™ downrod and ball assembly.

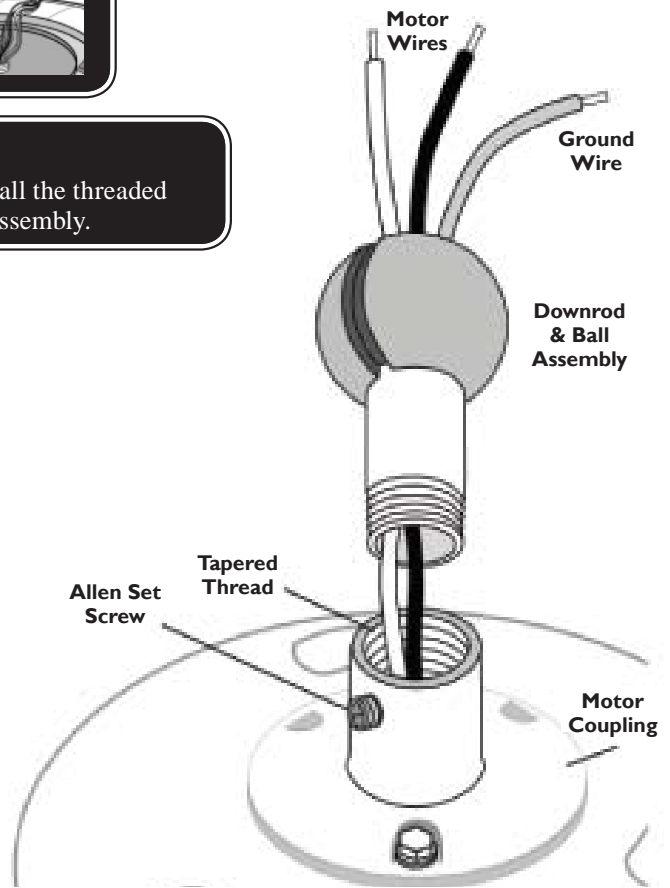
TIP: The downrod has a tapered thread that is designed to lock completely when correctly installed.

Step 3b. Using the provided allen wrench, loosen the set screw several turns to allow installation of the downrod. Thread the downrod into the motor coupling until it stops turning. This will take at least four and a half full turns.

Step 3c. Securely tighten the set screw with the provided allen wrench to ensure safe operation of your fan.

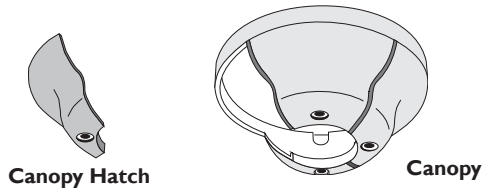
CAUTION:

Failure to fully lock in the downrod before securely tightening the set screw may cause the fan to separate from the downrod during normal operation!



CANOPY HARDWARE

CANOPY HARDWARE (not to scale)



Canopy Screw (5)

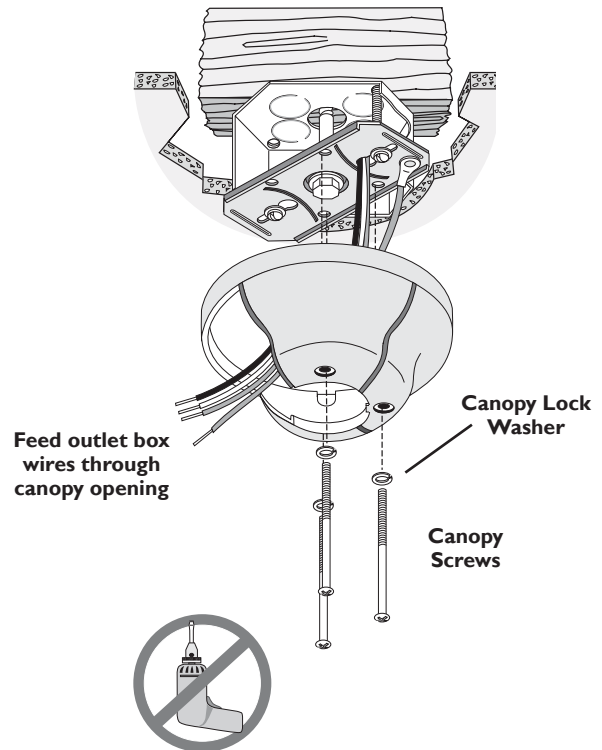


Canopy Lock Washer (5)

CANOPY INSTALLATION

Step 4. Attach the canopy to the crossbar mounting bracket with three of the 8-32 x 2-1/4" long canopy screws and lock washers provided with your Casablanca fan. Hand tighten until snug against the ceiling.

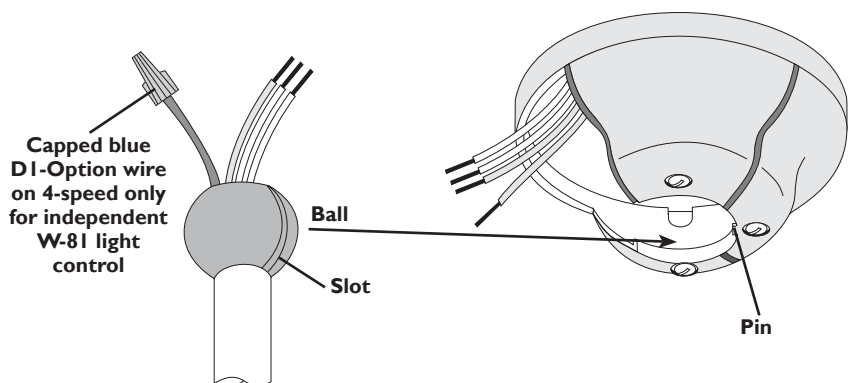
NOTE: On sloped ceilings, align the canopy opening toward the top or peak of the room.



HANGING THE FAN

Step 5. To hang the fan body in the canopy, hold the fan body firmly and insert the ball into the canopy opening. Check that no wires were pinched. Rotate the fan body until the slot in the nylon ball fits into the pin opposite the canopy opening.

NOTE: Independent control of the light fixture using a W-81 requires an additional power wire run from the wall switch to the fan. See **Page 7** for wiring.



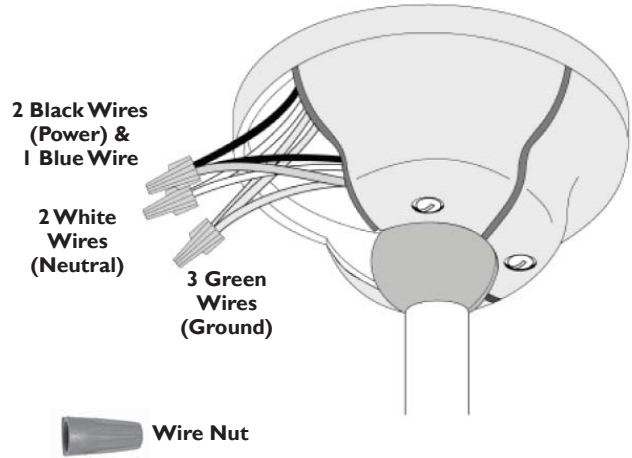


CANOPY ELECTRICAL CONNECTIONS

Step 6a. Attach the fan wires to the ceiling fixture outlet box wiring by placing the bare ends of the wires side by side and then securing with a wire nut. Test that the connection is secure by pulling on the wire nut. Connect in this order:

Step 6b. Pull-chain Connections

- **GREEN** leads from mounting plate and fan to **GROUND** conductor of power source. Secure with wire nut.
- **WHITE** wire from fan to white **NEUTRAL** wire in ceiling fixture outlet box. Secure with wire nut.
- **BLUE** wire and **BLACK** power wire from fan to **BLACK** power wire in ceiling outlet box. Secure with wire nut.



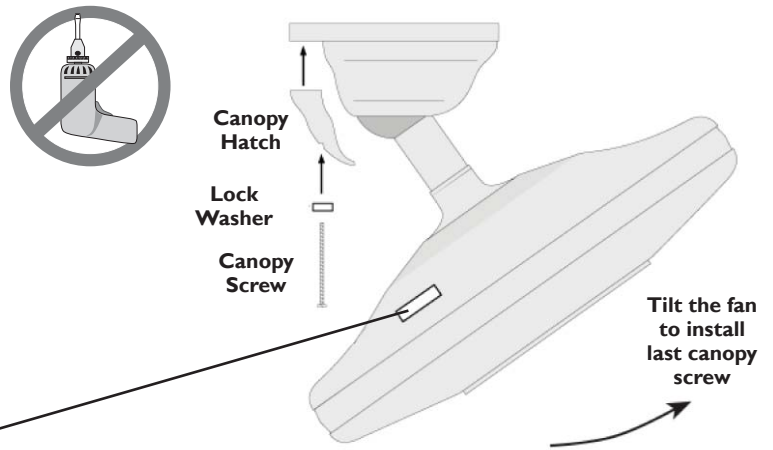
CANOPY HATCH INSTALLATION

Step 7. Tuck the wires into the canopy with the wire nuts pointed upwards, so that the **WHITE** and **BLACK** wires are on opposite sides of the canopy and all wires are clear of the canopy opening.

Step 8a. Install canopy hatch with the last canopy screw and lock washer. To do this, tilt the fan body away from the hatch opening. Tighten the screws firmly by *hand* only.

Step 8b. Straighten the fan, then check to ensure that there is no movement between the canopy and ceiling or Hang-Tru ball and top support shaft.

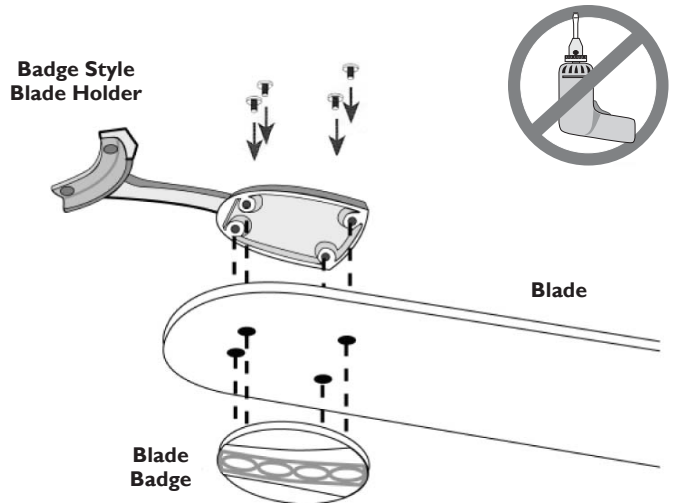
NOTE: Write down the Serial Number and the model number for future reference.



BLADE INSTALLATION

Step 9. Attach the blades to the blade holders by first pressing the blade badge into the blade, then installing the blade holder using the four blade screws provided for each blade.

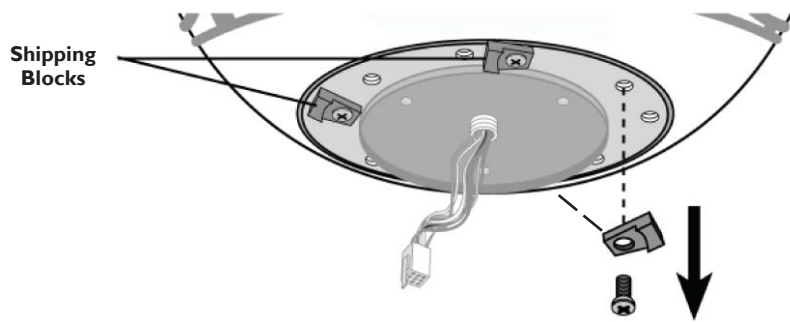
Using the screwdriver, tighten securely by hand.



REMOVE SHIPPING BLOCKS

Step 10. On the flywheel remove the five shipping blocks by unscrewing the screws. Set these screws aside for installing the blades in **Step 11**.

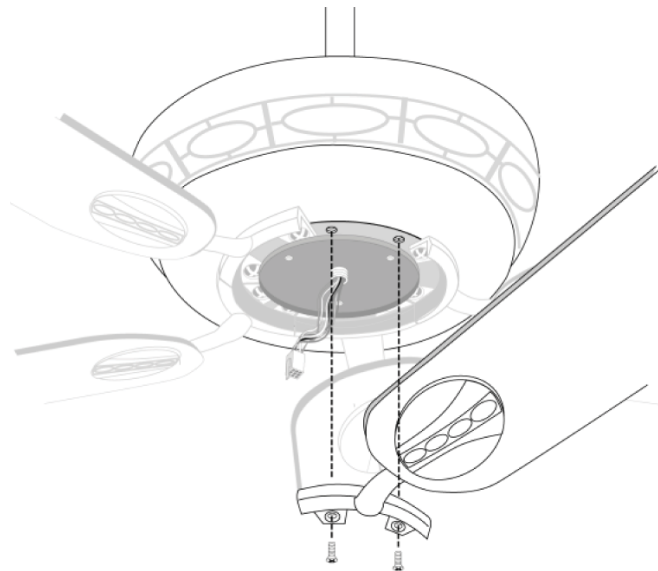
Discard the five shipping blocks.



BLADE/BLADE HOLDER INSTALLATION

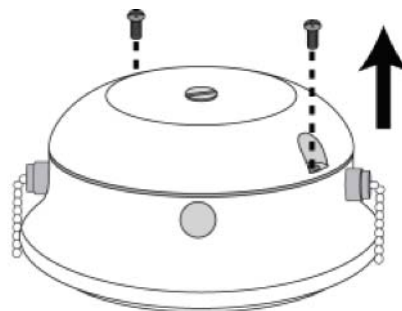
Step 11. Using the five screws removed in **Step 10**, and the five additional screws from the pack, attach each blade/blade holder assembly to the motor.

Using the screwdriver, tighten securely by **hand** only.



REMOVE SWITCH HOUSING CAP SCREWS

Step 12. Remove the two screws of the switch housing cap. Set the cap and screws aside for use in **Step 15**.



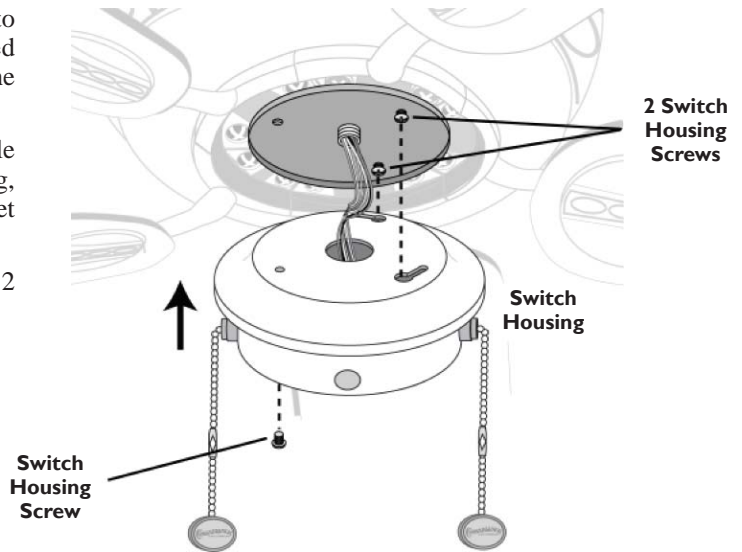


INSTALL SWITCH HOUSING

Step 13. Install 2 of the 3 switch housing screws onto the fan adapter plate, leaving 1/8" threads visible. Feed the wire connector from the fan through the center of the switch housing.

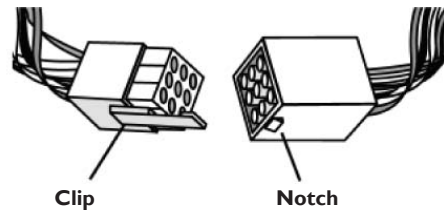
Align the 2 screws on the adapter plate with the keyhole slots of the switch housing. Raise the switch housing, pulling on the fan wire connector to assure no wires get pinched.

Turn the switch housing counter clockwise, engaging the 2 screws. Install the third screw and tighten all 3 screws.



CONNECT WIRES

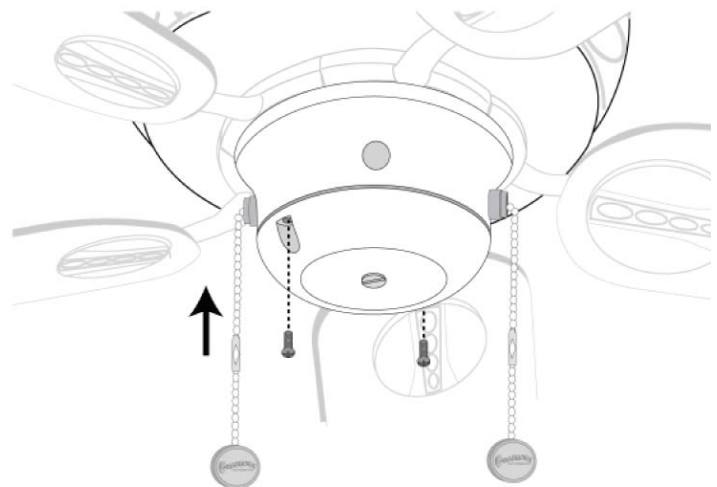
Step 14. Plug the wire connector for the fan into the wire connector for the switch housing. Assure that the clip from the fan connector engages the notch on the switch housing connector.



INSTALL SWITCH HOUSING CAP SCREWS

Step 15. If you are installing a light fixture, please refer to the “3-Speed Optional Light Fixture Installation” on the next page.

If no light fixture is being installed, carefully push the wires and components back into the switch housing. Align the guiding pegs of the cap to the non-threaded holes of the switch housing. Reinstall the switch housing cap screws removed in **Step 12**.

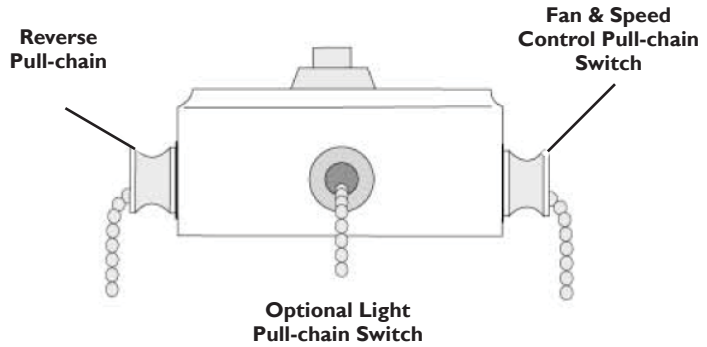


3-SPEED • OPERATION

Pull-chain switches on the fan control the fan and reverse. Using the fan control pull-chain switch: Fan off at start.

- First pull: fan ON, low speed
- Second pull: medium speed
- Third pull: high speed
- Fourth pull: fan OFF

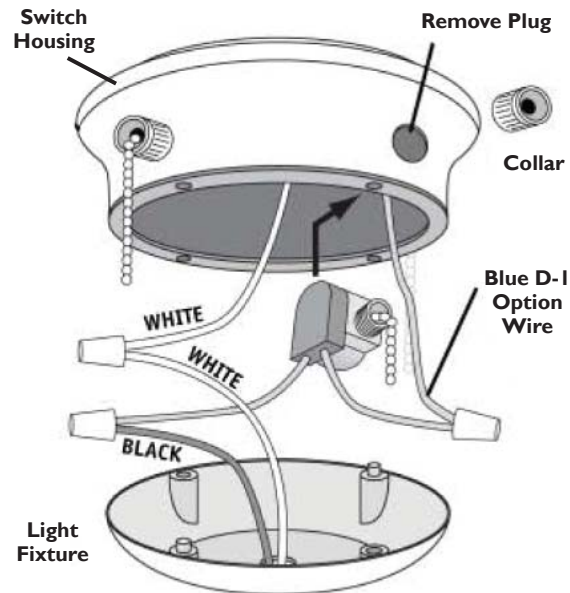
Direction of blade rotation is controlled by the reverse pull-chain on the side of the switch housing. No changes in household wiring are required.



3-SPEED • OPTIONAL LIGHT FIXTURE INSTALLATION

NOTE: If a separate circuit is used to control the lights from a wall control, the BLUE D1-Option wire in the canopy should be connected to that switch leg with the BLACK fan power wire.

1. Refer to light kit instructions to assemble and attach your light kit correctly.
2. Remove the two 8-32 screws from the switch housing cap.
3. Remove the plug from switch housing.
4. Install pull-chain switch and finger tighten collar on switch.
5. Connect one wire from pull-chain switch to the BLUE D1-Option wire. Secure splice with a wire nut.
6. Connect other wire from pull-chain switch to BLACK wire from light kit. Secure splice with a wire nut.
7. Connect WHITE wire from switch housing to WHITE wire from the light kit. Secure splice with a wire nut.
8. At the canopy, connect the BLACK and BLUE wires.



PERFORMANCE AND ENERGY INFORMATION



| Fan Speed | Airflow (CFM)* | Power Use (watts) | Airflow Efficiency (CFM/watt) |
|-----------|----------------|-------------------|-------------------------------|
| Low | 1864 | 10 | 185 |
| Med | 4117 | 33 | 125 |
| High | 7126 | 82 | 87 |

* Measured according to the ENERGY STAR®-approved Solid State test method.

Ceiling fan airflow is measured in cubic feet per minute (CFM). Power use is measured in watts. To maximize energy savings,

- Choose a fan with high airflow efficiency (CFM/watt).
- Use ENERGY STAR®-labeled lighting in your fan.
- Remember to switch off your fan when you leave the room.



TROUBLESHOOTING TIPS

Please refer to this troubleshooting guide before requesting service or contacting your dealer for assistance.

| PROBLEM | POSSIBLE REMEDIES |
|--|---|
| Fan will not start | <ul style="list-style-type: none"> • Check the main circuit fuses, circuit breakers, and wall switch position. Check all wire connections. Make sure the power is turned off during this inspection. • Check that reverse switch is not set in center of throw. |
| Fan wobbles or shakes excessively | <ul style="list-style-type: none"> • Be sure the canopy pin is set properly into the slot on the ball. • Check that the bladeholders have not been bent during installation and the blades are balanced. • Screws for bladeholders to motor are tight. • The hanger bracket and/or the ceiling outlet are attached too loosely. Make sure the hanger bracket is attached tightly to the ceiling outlet box and the downrod assembly is secured firmly. • The downrod is attached to the downrod base too loosely. Make sure all the screws are securely tightened. • Screws for blades are tight. |
| Fan is noisy during operation | <ul style="list-style-type: none"> • Check and tighten the light fixture retaining screws, glass shade screws, and/or lightbulb(s). • Tighten the canopy screws and mounting plate assembly. Make sure the wire nuts inside the canopy and switch housing are not touching the metal parts and that they have not fallen off the wire splices. Tighten as necessary. • Tighten the blade holders to the flywheel (or direct drive motor) and the blade to the bladeholder screws. • Make sure all the screws in the motor housing are snug but not overly tight. |
| Fan does not run on low speed | <ul style="list-style-type: none"> • If fan is new, it may need to be “broken in.” Run at high speed for several days. |
| Light works, but fan does not work | <ul style="list-style-type: none"> • The fan wires are not connected properly. Follow the instructions in Step 7. |
| Fan works, but light does not work | <ul style="list-style-type: none"> • The light socket is broken. Replace the socket. • A lightbulb is defective. Replace the lightbulb. |
| Fan will not operate at proper speeds or will not operate at any speed | <ul style="list-style-type: none"> • Defective three-speed pull-chain switch assembly • Defective capacitor; replace three-speed pull chain switch assembly or replace PCB assembly |
| Fan runs slowly in either direction if rotation is started by hand; will not reverse | <ul style="list-style-type: none"> • Defective reverse switch • Defective capacitor • Open motor winding: replace reverse switch assembly, PCB assembly, or motor unit |

CARE RECOMMENDATIONS

Fan Finishes

- For cleaning, a soft brush or lint-free cloth should be used to prevent scratching the finish.
- A vacuum cleaner brush nozzle can remove heavier dust.
- Surface smudges or an accumulation of dirt and dust can be removed easily using a mild detergent and slightly dampened soft cloth. An antistatic agent may be used, but *never use abrasive cleaning agents* as these will damage the finish.

Blades

- Wood-finish blades should be cleaned with a furniture polishing cloth. Occasionally, a light coat of furniture polish may be applied for added protection and beauty.
- For painted, high-gloss or plastic blades (ABS), surface smudges or an accumulation of dirt and dust can be removed easily using a mild detergent and slightly dampened soft cloth. An antistatic agent may be used, but *never use abrasive cleaning agents* as these will damage the finish.

No Need for Lubrication

- *Never lubricate this fan!* The precision motor at the heart of your Casablanca fan features sealed bearings that are lubricated for life.
- Do not attempt to oil the motor.

Changing Lightbulbs

- Be sure to turn the power to OFF at the wall switch or circuit breaker before changing lightbulbs.
- Replace bulbs with the same type as you removed from the light fixture.
- The maximum wattage rating for this fan's light kit is 240 watts.

For questions or to locate the nearest Casablanca Authorized Service Center call toll free: 1-888-227-2178 or visit us on the Web at: www.casablancafanco.com

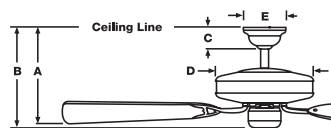
PRODUCT SPECIFICATIONS

Model Name: Estrada™
Model Number: 47XXD

Dimensions: A = 13"
B = 13.75"
C = 3"
D = 12"
E = 5.6"

NOTE: Dimension B measurement to bottom of switch housing.

Weight: 25 lbs.



Motor: 188 x 20mm Direct Drive™
Blade Span: 52"
Blade Iron Pitch: 15°
No. of Blades: 5
Technology: 3-Speed



AUTHORIZED SERVICE CENTERS

| STATE/CITY | ZIP | SERVICE CENTER NAME | PHONE | TYPE | STATE/CITY | ZIP | SERVICE CENTER NAME | PHONE | TYPE |
|-----------------------|-------|----------------------------|--------------|------|--------------------|-------|-------------------------------|--------------|----------|
| ALABAMA | | | | | CONNECTICUT | | | | |
| MOBILE | 36618 | AZALEA CITY SERVICE CENTER | 251-341-0663 | | NEW HARTFORD | 06057 | B.W. MORSE & SONS, INC. | 860-379-9855 | |
| TUSCALOOSA | 35405 | LTG. & APPL./LIGHTING PLUS | 205-345-8900 | | BRIDGEPORT | 06605 | FEDERAL ELECTRIC CONST.CO. | 203-334-6455 | |
| ALASKA | | | | | CLINTON | 06413 | GRAHAM CO. | 800-942-5575 | |
| ANCHORAGE | 99518 | BERING SEA ECCOTECH | 907-227-3171 | | EAST HARTFORD | 06118 | GRAHAM CO. | 800-942-5575 | |
| ARIZONA | | | | | WOODSTOCK | 06281 | RANDY MATTEAU | 860-963-8979 | |
| TUCSON | 85735 | DESERT BREEZE FAN & ELEC. | 520-623-4646 | | WILLINGTON | 06279 | GEORGE OPALENIK | 860-684-4558 | |
| PHOENIX | 85019 | FAN-TASTIC ELECTRIC | 602-866-1090 | | HARTFORD | 06114 | CONNECTICUT LTG. CTR. INC. | 860-249-7631 | ISO |
| GREEN VALLEY | 85614 | GOBLE ELECTRIC | 520-625-4938 | | GREENWICH | 06830 | FASHION LIGHT CENTER | 203-869-3098 | ISO/OWTS |
| SEDONA | 86336 | OAK CREEK AUDIO | 928-282-5625 | | NEW HAVEN | 06534 | NEW GRAND LIGHT | 203-777-5781 | ISO |
| SCOTTSDALE | 85254 | VANDERVOORT ELECTRIC INC. | 602-996-9637 | | DELAWARE | | | | |
| PHOENIX | 85032 | THE BRASSWINDS SHOPPE | 602-482-1881 | | WILMINGTON | 19809 | CHIEFFO ELECTRIC INC. | 302-764-5000 | |
| YUMA | 85364 | CURLEY'S LITEHOUSE | 520-782-4353 | | DOVER | 19901 | BRUCE DRAJEM/ THE FAN MAN | 302-734-7737 | |
| MESA | 85204 | GALLERY OF FANS | 480-962-0477 | | NEW CASTLE | 19720 | ERIC SHURR | 302-998-5147 | |
| TUCSON | 85716 | ILLUMINATIONS | 520-325-3031 | OWTS | FLORIDA | | | | |
| YOUNGTOWN | 85363 | QUALITY HOME FAN DOCTOR | 602-274-6649 | | WINTER HAVEN | 33880 | ALL ABOUT FANS & LIGHTING | 863-299-9593 | |
| TUCSON | 85711 | SUN LIGHTING CO. | 520-322-4303 | OWTS | GAINSVILLE | 32608 | AUTHORIZED APPLIANCE SERV. | 352-375-3886 | ISO |
| ARKANSAS | | | | | S. DAYTONA | 32119 | BOB'S FIX-IT | 386-761-4055 | |
| LITTLE ROCK | 72212 | THE RANDY HALL CO. INC. | 501-227-9915 | | BOCA RATON | 33433 | MARTIN CARTER | 561-756-4739 | |
| CALIFORNIA | | | | | BOYNTON BCH | 33437 | C M S | 561-736-0170 | |
| SANTA ROSA | 95404 | ASEF'S APPLIANCE SERVICE | 707-575-3737 | | BONITA SPRINGS | 34135 | GOODWIN ELECTRIC | 239-649-8880 | |
| GRASS VALLEY | 95945 | ACCENT LIGHTING | 530-477-5483 | ISO | SPRINGHILL | 34606 | FAN DOCTOR | 352-683-4428 | |
| JAMESTOWN | 95327 | DASILVA'S LAMP & CEILING | 209-984-4035 | | DAVIE | 33330 | LASERLAND INC. | 854-558-3743 | |
| SACRAMENTO | 95821 | ENERGY SOLUTIONS | 888-410-3189 | | NOKOMIS | 34275 | GRAHAM ELECTRICAL CONTR. | 941-486-8190 | |
| SANTA MARIA | 93455 | EVER-READY ELECTRIC | 805-934-7091 | | CORAL GABLES | 33134 | MICHAEL HANSEN | 305-444-4111 | |
| SCOTT'S VALLEY | 95066 | FISHER ELECTRIC INC. | 831-430-9694 | | MAITLAND | 32751 | HENRY ELECTRIC CO. | 407-834-4032 | |
| AUBURN | 95603 | THE FAN DOCTOR | 530-823-8768 | | TARPON SPRINGS | 34689 | PETER LONTAKOS | 727-938-8895 | |
| FRESNO | 93704 | LARRY MC COLLUM | 559-438-5764 | | PUNTA GORDA | 33982 | SELECT SERVICE & REPAIR | 941-637-7850 | |
| NEWHALL/SANTA CLARITA | 91321 | DAN MARTIN | 805-252-5769 | | TALLAHASSEE | 32303 | JIM LACZKO/TODAY'S KIDS | 850-562-4661 | |
| CLOVIS | 93612 | OMEGA SERVICE INC. | 559-299-0495 | ISO | PORT CHARLOTTE | 33952 | JACKSONS LIGHTING INC. | 941-625-0044 | OWTS |
| BAKERSFIELD | 93309 | RB ELECTRIC & LTG. | 805-831-2438 | | NAPLES | 34109 | WILSON LIGHTING OF NAPLES | 941-592-6006 | OWTS/ISO |
| SAN MARCOS | 92069 | RD ELECTRICAL CONTR. | 760-727-1215 | | GEORGIA | | | | |
| STOCKTON | 95205 | RISSE ELECTRIC INC. | 209-466-0781 | | CANTON | 30114 | I CAN FIX IT 4 U | 678-493-0150 | |
| SHINGLE SPRINGS | 95682 | JOHN ROZOWSKI CONST. | 530-677-3850 | | GRAYSON | 30017 | RG TENNEY ELECTRIC | 770-378-9255 | |
| CATHEDRAL CITY | 92234 | R & R SERVICE | 760-324-2942 | | HAWAII | | | | |
| PLEASANTON | 94588 | S & L LIGHTING SERVICES | 925-895-3762 | | KIHEI | 96753 | FANS ETC? | 808-875-6347 | |
| RIVERSIDE | 92505 | VERNE SMITH | 951-687-9552 | | KAILUA KONA | 96740 | KU'S ELECTRONIC SVC. | 808-329-4346 | |
| TEMECULA | 92592 | TAB ELECTRIC | 951-303-0850 | | HILO | 96720 | BAY LIGHTING & DESIGN | 808-961-5688 | |
| SO. LAKE TAHOE | 96150 | TAHOE POOL SERVICE | 530-541-4958 | | AIEA | 96701 | THE FAN SHOP, INC. | 808-488-1221 | OWTS |
| VALENCIA | 91354 | FANTASTIC FAN SERVICE | 800-800-3871 | | KAILUA KONA | 96740 | KONA COAST HOUSE OF LTS. INC. | 808-329-0748 | |
| SAN JOSE | 95123 | SAL ZAMORA'S FAN REPAIR | 510-742-5560 | | IDAHO | | | | |
| SACRAMENTO | 95819 | A & A LIGHTING | 916-452-7641 | ISO | MERIDIAN | 83642 | S-K ELECTRIC, INC. | 208-941-6264 | |
| TULARE | 93274 | ANCHOR LIGHTING | 209-688-0696 | OWTS | IDAHO FALLS | 83402 | HOME LIGHTING | 208-523-2300 | |
| FRESNO | 93710 | ENERGY HOUSE | 559-432-1500 | ISO | ILLINOIS | | | | |
| SAN MARCOS | 92069 | FAN DIEGO | 760-743-3267 | ISO | CENTRALIA | 62801 | BAKER APPLIANCE REPAIR | 618-532-8437 | |
| SAN DIEGO | 92111 | FANDIEGO | 619-292-9244 | ISO | CHICAGO | 60630 | D & S FAN SPECIALTIES INC. | 847-824-2430 | |
| RANCHO MIRAGE | 92270 | FANDIEGO | 760-779-9916 | ISO | PRINCETON | 61356 | ELMORE ELECTRIC INC. | 815-643-2354 | |
| MURRIETA | 92562 | FANDIEGO | 951-600-7867 | | CHAMPAIGN | 61821 | TERRY GOBBLE | 217-384-5891 | ISO |
| ISO/OWTS | | | | | SMITHTON | 62285 | JOHN HASENSTAB | 618-236-3018 | |
| FOLSOM | 95630 | FOLSOM LIGHTING CO. | 916-983-5575 | | NORMAL | 61761 | KIRK SMALL APPLIANCE | 309-452-5248 | ISO |
| BAKERSFIELD | 93306 | HILLCREST LTG.-GALPIN INT | 661-324-0649 | | FRANKFORT | 60423 | KKA SERVICES | 815-464-6714 | |
| SAN FRANCISCO | 94109 | HOUSE OF FANS INC. | 415-885-1947 | ISO | WEST CHICAGO | 60185 | TMR ELECTRIC, INC. | 630-231-2848 | |
| TARZANA | 91356 | HYE LIGHTING CO. | 818-345-5544 | | CORNLAND | 62519 | DELMAR VEECH | 217-364-4121 | |
| ISO/OWTS | | | | | QUINCY | 62301 | HEINTZ LIGHTING CENTER | 217-223-0101 | |
| CHICO | 95928 | J&J LIGHTING INC. | 530-342-1815 | ISO | TRENTON | 62293 | LITE BRITE DIST | 618-224-7314 | |
| FRESNO | 93711 | JAMES & CO LTG. | 209-486-7900 | | YORKVILLE | 60560 | UNIFIED SUPPLY INC. | 630-553-0660 | |
| ISO/OWTS | | | | | INDIANA | | | | |
| MANTECA | 95336 | MANTECA LIGHTING | 209-823-1999 | ISO | EVANSVILLE | 47711 | MICHAEL BAXTER | 812-453-6498 | |
| MISSION VIEJO | 92691 | MOORE'S MISSION | 714-859-7090 | | FORT WAYNE | 46805 | CARL J. SMITH | 260-484-7295 | |
| ISO/OWTS | | | | | GREENFIELD | 46140 | D & D REPAIR | 317-467-0600 | |
| REDDING | 96002 | NORTH VALLEY LIGHTING | 530-221-6277 | | VALPARAISO | 46383 | D & K ELECTRIC | 219-464-7576 | |
| ISO/OWTS | | | | | INDIANAPOLIS | 46222 | INDIANA LTG. CTR. INC. | 317-293-9333 | ISO |
| CERRITOS | 90703 | COMFORTS OF HOME | 562-865-6666 | ISO | COLORADO | | | | |
| MODESTO | 95350 | PHILLIPS ELECTRIC CO. | 209-524-6287 | OWTS | LONGMONT | 80504 | LA ENTERPRISES | 800-299-0222 | |
| SAN RAFAEL | 94901 | RAFFLES | 415-456-6660 | ISO | DENVER | 80229 | M.D. ELECTRIC | 303-288-7988 | |
| SANTA CRUZ | 95062 | RIVERSIDE LIGHTING | 831-423-7411 | ISO | COLORADO SPGS | 80903 | HOME LIGHTING INC. | 719-471-3520 | OWTS |
| HUNTINGTON BEACH | 92647 | THE TRADING POST | 714-848-4353 | | FORT COLLINS | 80525 | THE LIGHT CENTER | 970-226-3430 | OWTS |
| SAUGUS | 91350 | VALLEY BREEZE FAN CO | 800-339-3267 | OWTS | | | | | |

TYPES OF SERVICE OFFERED:
 IHS = IN-HOUSE SERVICE ISO = IN-SHOP ONLY OWTS = SERVICES ONLY WHAT THEY SELL

| STATE/CITY | ZIP | SERVICE CENTER NAME | PHONE | TYPE | STATE/CITY | ZIP | SERVICE CENTER NAME | PHONE | TYPE |
|----------------------|-------|-----------------------------|--------------|----------|---|-------|----------------------------|--------------|------|
| IOWA | | | | | MONTANA | | | | |
| CEDAR RAPIDS | 52404 | ACME ELECTRIC COMPANY | 319-365-8677 | | KALISPELL | 59901 | LASALLE LTG. | 406-752-2424 | |
| SIoux CITY | 51106 | DIVERSIFIED ELECTRONICS | 617-276-1034 | | HELENA | 59601 | SUPREME LIGHTING | 406-442-8200 | |
| SIoux CENTER | 51250 | HILLS HOME SYSTEMS | 712-722-2539 | | MISSOULA | 59801 | WESTERN MONTANA LTG SPY | 406-543-7166 | ISO |
| MONTICELLO | 52310 | REM ELECTRIC INC. | 319-465-3346 | | NEBRASKA | | | | |
| DES MOINES | 50311 | ADVANCED LIGHTING | 515-255-5009 | OWTS | OMAHA | 68104 | D & L ELECTRONICS | 402-571-5233 | |
| CARROLL | 51401 | J & L ELECTRIC INC. | 712-792-2444 | ISO | GRAND ISLAND | 68803 | QUALITY SEW & VAC. | 308-382-7310 | ISO |
| CORALVILLE | 52241 | RALSTON CREEK | 319-351-2189 | OWTS/ISO | OMAHA | 68144 | OAK HILLS ELECTRIC INC. | 402-691-4567 | |
| DAVENPORT | 52803 | SHAW ELECTRIC INC. | 563-323-3611 | | NORFOLK | 68701 | THE POWER STATION | 402-371-6671 | |
| KANSAS | | | | | LINCOLN | 68510 | LINCOLN LTG. CTR. | 402-476-1297 | |
| EMPORIA | 66801 | C. A.P. | 620-342-0448 | | NEVADA | | | | |
| OVERLAND PARK | 66213 | KAL ELECTRIC INC. | 913-897-6767 | | SPARKS | 89431 | EAGLE ELECTRIC, INC. | 775-356-7300 | |
| OVERLAND PARK | 66210 | RANDY RUSSELL | 913-338-5330 | | LAS VEGAS | 89104 | IDEAL SERVICES | 702-396-5225 | |
| WICHITA | 67226 | ACCENT LTG INC. | 316-636-1278 | | HENDERSON | 89015 | SUPERIOR ELECTRICAL | 702-222-9306 | |
| MANHATTAN | 66502 | ENDACOTT LIGHTING | 785-776-4472 | ISO | LAS VEGAS | 89119 | FANCO | 702-898-8522 | ISO |
| LENEXA | 66215 | RENSH HOUSE OF LIGHTS | 913-888-0888 | ISO | NEW HAMPSHIRE | | | | |
| SALINA | 67401 | SALINA APPL. SHOWROOM | 785-827-1420 | | NEWMARKET | 03857 | EDWARD HEINE | 603-659-5999 | |
| OVERLAND PARK | 66223 | WESTERN CHANDELIER CO. | 913-685-2000 | | PELHAM | 03076 | AFFORDABLE FANS ETC. | 603-759-8332 | |
| OVERLAND PARK | 66212 | WILSON FANS & LIGHTING | 913-642-1500 | | NEW JERSEY | | | | |
| KENTUCKY | | | | | WASHINGTON | 07882 | C.P. ORLANDO | 908-689-4750 | |
| LOUISVILLE | 40205 | KAELENS INC. | 502-454-8938 | | TRENTON | 08619 | WIRING UNLIMITED | 609-584-1122 | |
| LOUISIANA | | | | | THOROFARE | 08086 | HARRY R. HABICHT | 856-845-2541 | |
| HOUMA | 70363 | GULF SOUTH ARMATURE | 985-872-0486 | | MORRIS PLAINS | 07950 | MANNY HERRERA | 973-993-1137 | |
| BATON ROUGE | 70815 | TOTAL HOME SERVICE | 225-272-7725 | ISO | LINWOOD | 08221 | JACK BRESLAU | 609-601-1797 | |
| NEW IBERIA | 70560 | WALET'S INC. | 318-364-7486 | ISO | W. LONG BRANCH | 07764 | CHRIS KIBBE | 732-222-4228 | ISO |
| LAKE CHARLES | 70601 | JOSEPH'S ELECTRICAL CENTER | 318-436-4930 | | MULLICA HILL | 08062 | STEPHEN RICE | 856-223-8645 | |
| METAIRIE | 70006 | ROMAINE'S | 504-887-7077 | | JACKSON | 08527 | ROBERT ROLZHAUSEN | 732-363-3729 | |
| MAINE | | | | | HILLSBOROUGH | 08844 | TOP LINE ELECTRIC INC. | 908-431-1888 | |
| SOUTH PORTLAND | 04106 | T.A. NAPOLITANO | 207-799-0538 | | CHESTER | 07930 | CHESTER LIGHTING, INC. | 908-879-7200 | OWTS |
| MARYLAND | | | | | PARK RIDGE | 07656 | KRELL LIGHTING | 201-391-7685 | ISO |
| FREDERICK | 21704 | GL FAN SERVICE | 301-831-4925 | | NEW MEXICO | | | | |
| WHITE HALL | 21161 | BT ELECTRIC/BILL TYRRELL | 410-329-6353 | | ALBUQUERQUE | 87112 | A-1 LAMP DOCTOR | 505-296-5050 | |
| MASSACHUSETTS | | | | | ALBUQUERQUE | 87109 | B-ELECTRIC | 505-828-0241 | |
| S. ATTLEBORO | 02703 | AJ ELECTRIC | 508-761-5021 | | NEW YORK | | | | |
| BRIDGEWATER | 02324 | BILTCLIFFE ELECTRIC | 508-697-7630 | ISO | COMMACK | 11725 | REPUBLIC LIGHTING | 631-499-1854 | ISO |
| W SPRINGFIELD | 01089 | JALBERT ELECTRIC | 413-734-4976 | | BROOKLYN | 11204 | J&R SERVICE | 718-259-1789 | |
| BELMONT | 02478 | H.O ELECTRIC | 617-489-6324 | | E. MEADOW | 11554 | C.D. SERVICE | 516-538-3481 | |
| NATICK | 01760 | J.G. ELECTRIC CO INC. | 508-653-3042 | ISO | QUEENSBURY | 12804 | DEAN ELECTRIC | 518-792-4781 | |
| DANVERS | 01923 | PLAZA LIGHTING | 978-774-7801 | ISO | PLAINVIEW | 11803 | JOSEPH GOTTDANK | 516-932-7618 | |
| DENNIS | 02638 | RICK SEXTON | 508-385-7536 | | NEWBURGH | 12550 | J D PARRELLA ELECT. | 845-562-4112 | |
| WORCESTER | 01603 | EDWARD A. TORTORA | 508-755-3735 | | STATEN ISLAND | 10312 | JOE VALLETUTTI JR.. | 718-608-9008 | |
| NEW BEDFORD | 02740 | VANDER ELECTRIC | 508-993-6383 | ISO | YONKERS | 10704 | JAY D. KOSACK | 914-237-9051 | |
| ORLEANS | 02653 | ASSOC. ELECTRICAL SERVICE | 508-255-4589 | ISO | POUGHKEEPSIE | 12601 | MANNINO ELECTRIC INC. | 914-452-3520 | ISO |
| MICHIGAN | | | | | ROCHESTER | 14620 | CAM ELECTRIC | 585-271-8560 | |
| BELLEVILLE | 48111 | MIKE AYERST | 734-699-9698 | | LONG BEACH | 11561 | NICK'S IMPROVEMENT COMPANY | 516-659-8989 | |
| LANSING | 48906 | INTEGRITY ELECTRIC | 517-484-0300 | | SHOKAN | 12481 | OLIVE FANS & LTG. | 845-657-5823 | |
| LANSING | 48917 | LARGENT ENTERPRISES INC. | 517-627-4229 | | LYNBROOK | 11563 | SHADERITE-PZ REPAIR | 516-593-8973 | |
| TRAVERSE CITY | 49686 | LIGHTING AND FAN SERVICE | 231-938-1332 | | STATEN ISLAND | 10301 | F&R SERVICE CNTR. | 718-273-5518 | |
| HOWELL | 48855 | LIGHTNING ELECTRIC INC. CO | 810-227-3375 | | REGO PARK | 11374 | MARK RALIN | 718-896-7844 | |
| WARREN | 48088 | ZUBE CONSTRUCTION LLC | 586-574-0701 | | SCHENECTADY | 12303 | FRANK SALVATORE | 518-355-5789 | |
| BIRMINGHAM | 48009 | 21ST CENTURY ELECTRIC | 248-645-6464 | ISO | TROY | 12180 | TROY LIGHT COMPANY | 518-274-6931 | ISO |
| GRAND RAPIDS | 49512 | GRAND RAPIDS LTG. CTR. INC. | 616-949-4931 | OWTS/ISO | COMMACK | 11725 | TURNPIKE APPLIANCE | 631-499-3355 | |
| KALAMAZOO | 49002 | HODGSON ENTERPRISES | 269-343-4428 | OWTS | STATEN ISLAND | 10304 | V & P SERVICE CO | 917-751-2562 | |
| MINNESOTA | | | | | PEARL RIVER | 10965 | BOB VAZQUEZ | 845-735-5861 | |
| ROCHESTER | 55906 | KROUPA'S ELECTRONICS | 507-951-4666 | | BEDFORD | 10507 | BEDFORD LIGHTING INC. | 914-666-0680 | ISO |
| MINNEAPOLIS | 55422 | LEO'S ELECTRIC | 612-546-5625 | | CARLE PLACE | 11514 | ELEMENTS | 516-747-4748 | ISO |
| MAPLEWOOD | 55109 | NORTH COUNTRY ELECTRIC | 651-486-7099 | | BROOKLYN | 11219 | MAIN LAMP CORP. | 718-436-2207 | ISO |
| MINNEAPOLIS | 55411 | PENN ELEC. MOTOR SERV. | 612-588-5333 | | BROOKLYN | 11223 | MANHATTAN LIGHTS INC. | 718-998-1111 | |
| BURNSVILLE | 55336 | FAN MAN #102 | 952-898-2754 | ISO | AMHERST | 14226 | ROYALITE INC. | 716-832-1492 | ISO |
| EDEN PRAIRIE | 55344 | FAN MAN #106 | 612-941-9243 | ISO | NEW YORK | 10003 | SUPERIOR LIGHT & FAN | 212-677-9191 | |
| ST. PAUL | 55104 | GREATFANS & BLINDS | 651-644-1203 | OWTS | NORTH CAROLINA | | | | |
| BAXTER | 56425 | THE LIGHT DEPOT | 218-829-0770 | ISO | SALISBURY | 28146 | HAUSS ELECTRICAL SERV. | 704-637-7774 | |
| MISSISSIPPI | | | | | GREENSBORO | 27415 | RW SCHOOLFIELD ELECTRICAL | 336-378-9821 | |
| MADISON | 39110 | JACKSON SERVICE CTR. | 601-856-9469 | | CHARLOTTE | 28205 | EFIRD'S INTERIORS, INC. | 704-376-5648 | ISO |
| OCEAN SPRINGS | 39564 | KELLY'S APPLIANCE | 228-872-7181 | ISO | HICKORY | 28602 | EFIRD'S INTERIORS, INC. | 704-322-2203 | ISO |
| MISSOURI | | | | | CHARLOTTE | 28203 | SIMPSONS LIGHTING /LT.FIXT | 704-376-5463 | OWTS |
| SPRINGFIELD | 65802 | COMPLETE MAINTENANCE | 417-866-3307 | | NORTH DAKOTA | | | | |
| ST LOUIS | 63123 | LEINWEBER SERVICE CO. | 314-892-8177 | | FARGO | 58103 | JDP ELECTRIC INC. | 701-232-1991 | |
| DES PERES | 63131 | JAFFE LIGHTING | 314-965-1000 | OWTS | TYPES OF SERVICE OFFERED: | | | | |
| SPRINGFIELD | 65807 | LOYD'S ELECTRIC | 417-889-1088 | ISO | IHS = IN-HOUSE SERVICE ISO = IN-SHOP ONLY OWTS = SERVICES ONLY WHAT THEY SELL | | | | |
| BRANSON | 65616 | LOYD'S ELECT SUPPLY INC. | 417-334-2171 | ISO | | | | | |



| STATE/CITY | ZIP | SERVICE CENTER NAME | PHONE | TYPE |
|-----------------------|-------|-----------------------------|--------------|------|
| OHIO | | | | |
| CANTON | 44706 | APPLIANCE PARTS CO. | 330-453-8077 | ISO |
| GALENA | 43021 | CERTIFIED SYSTEMS | 614-799-0878 | |
| LOVELAND | 45140 | HANK GRINSHPAN | 513-683-8666 | |
| MAUMEE | 43537 | K.O.V ELECTRONIC REPAIR | 419-865-8893 | |
| DAYTON | 45419 | LARKIN ELECTRIC CO. | 937-294-4115 | |
| COLUMBUS | 43231 | THE LAMP LIGHTER | 614-891-7940 | |
| CLEVELAND | 44109 | WESTSIDE LTG. CTR. | 216-459-1970 | |
| N. OLMSTED | 44070 | CHANDELIER SHACK INC. | 440-777-6969 | ISO |
| NORTH LIMA | 44452 | DICKEY ELECTRIC | 330-549-3976 | |
| DAYTON | 45459 | OHIO LAMP & FIXTURE CO. | 937-439-0822 | ISO |
| OKLAHOMA | | | | |
| OKLAHOMA CITY | 73105 | APPLIANCE SERVICE BY CK | 405-525-8862 | |
| OKLAHOMA CITY | 73127 | JAMES LIGHTING INC. | 405-947-6663 | |
| OREGON | | | | |
| PORTLAND | 97225 | SYLVAN ELECTRONICS INC. | 800-473-1244 | ISO |
| PENNSYLVANIA | | | | |
| HOPWOOD | 15445 | GEORGE R. SMALLEY CO. INC. | 724-437-1927 | |
| DREXEL HILL | 19026 | PATRICK HASTINGS | 610-853-2709 | |
| ALLENTOWN | 18105 | LIGHTING FIXTURE & SUPPLY | 610-435-9691 | |
| PITTSBURGH | 15224 | MARK DIULUS ELECTRIC CO. | 412-681-2553 | |
| PHILADELPHIA | 19111 | KLAUS OTTE | 215-745-4266 | |
| EASTON | 18045 | PRIMROSE ELECTRICAL | 610-258-1359 | |
| ALLENTOWN | 18102 | SCHOLL'S ELECTRIC | 610-435-5876 | |
| LANCASTER | 17601 | S. DEAN'S ELECTRIC | 717-285-4545 | |
| LANSDALE | 19446 | STEVE SHULMAN | 215-368-1960 | ISO |
| DOWNINGTOWN | 19335 | TOBIAS ELECTRIC | 610-942-4000 | |
| FAIRLESS HILLS | 19030 | ASTRO LTG. GALLERIES | 215-943-0331 | ISO |
| WEST READING | 19611 | A TO Z VACUUM STORES | 610-374-4888 | OWTS |
| HARRISBURG | 17111 | YALE ELECTRIC SUPPLY | 717-233-8401 | ISO |
| CONSHOHOCKEN | 19428 | KAY ELECTRIC SUPPLY | 610-825-0100 | ISO |
| WILLOW GROVE | 19090 | NORTHWEST ELEC. SPLY. CO. | 215-659-5757 | |
| STATE COLLEGE | 16803 | WHITEHILL LIGHTING & SPLY. | 814-238-2449 | |
| RHODE ISLAND | | | | |
| PAWTUCKET | 02861 | WICKFORD APPLIANCE & LTG | 401-726-4240 | ISO |
| SOUTH CAROLINA | | | | |
| HANAHAN | 29406 | BOBBY LUTES ELECTRICAL INC. | 843-832-2058 | ISO |
| SPARTANBURG | 29306 | BOBBY JACKSON ELECTR. | 803-583-6035 | |
| OKATIE | 29909 | J. HEAVENER & CO. | 843-837-8300 | |
| GOOSE CREEK | 29445 | DAVE'S CONTRACTING SERVICE | 843-514-2380 | |
| MYRTLE BEACH | 29575 | RAY ELECTRIC | 843-293-0068 | |
| COLUMBIA | 29212 | EASTWIND ENTERPRISES | 803-781-3267 | |
| SOUTH DAKOTA | | | | |
| SIoux FALLS | 57105 | LAMPS AND SHADES INC. | 605-332-6680 | |
| TENNESSEE | | | | |
| MT CARMEL | 37645 | APPALACHIAN ELEC. SVC. | 423-357-0783 | ISO |
| MEMPHIS | 38111 | APPLIANCE SERVICE CTR. | 901-324-5898 | ISO |
| MARYVILLE | 37803 | BEN SNYDER | 865-385-1302 | |
| BRENTWOOD | 37027 | SUNSHINE ELECTRICAL | 615-371-9383 | |

| STATE/CITY | ZIP | SERVICE CENTER NAME | PHONE | TYPE |
|----------------------|--------|----------------------------|--------------|------|
| TEXAS | | | | |
| DENTON | 76210 | SOUTHERN COMFORTS | 940-536-1406 | |
| HOUSTON | 77089 | BENNETT FAN INSTALL., INC. | 281-484-1401 | |
| CORPUS CHRISTI | 78404 | BRAND APPLIANCE | 512-854-1851 | ISO |
| FREESPORT | 77541 | SKIP'S ELECTRIC AND AIR | 979-233-3903 | |
| AMARILLO | 79106 | DI'S LAMP & FAN REPAIR | 806-331-5267 | |
| DENTON | 76201 | FANTASIA CEILING FANS | 940-484-4222 | |
| DENTON | 76201 | LARRY W. GOFF | 940-387-7304 | |
| DAMON | 77430 | GULF COAST FAN SERVICE | 281-495-6434 | |
| SAN ANTONIO | 78216 | CEILING FAN SERVICE CTR. | 210-804-1362 | |
| ARLINGTON | 76001 | P&M QUALITY CONT. | 817-478-2004 | |
| TYLER | 75707 | CHARLES R. RAINS | 903-566-3119 | |
| HEARE | 77859 | THOMPSON SUPPLY | 409-280-5737 | |
| CARROLLTON | 75006 | ADFANTAGE CEILING FAN | 972-446-9393 | |
| HUMBLE | 77338 | CAROLS LTG. & FAN SHOP | 281-446-7613 | ISO |
| AUSTIN | 78703 | TEXAS CEILING FANS | 512-477-3132 | ISO |
| HOUSTON | 77069 | CHAMPIONS LIGHTING | 281-440-5339 | ISO |
| RICHARDSON | 75080 | COOL BREEZES | 972-690-4580 | |
| HURST | 76053 | ARC FAN & LIGHTING | 817-268-2218 | |
| ISO/OWTS | | | | |
| BEAUMONT | 77702 | FAN FACTORY | 409-833-8207 | ISO |
| DALLAS | 75206 | LIGHTS FANTASTIC | 214-987-9655 | |
| VICTORIA | 77904 | HALL ELECTRIC CO., INC. | 512-578-6221 | |
| SAN ANGELO | 76904 | HERITAGE HAUS | 325-949-6541 | |
| WICHITA FALLS | 76308 | LANTERN HOUSE INC. | 409-692-7381 | ISO |
| HOUSTON | 77063 | LIGHTING PLUS INC. | 713-784-2440 | ISO |
| HARLINGEN | 78550 | THE LIGHT HOUSE | 956-423-6664 | OWTS |
| MCALLEN | 78504 | THE LIGHT HOUSE | 956-631-1155 | OWTS |
| UTAH | | | | |
| MURRAY | 84107 | CENTRAL ELECTRIC CO. | 801-467-5479 | |
| RIVERTON | 84065 | VERN O. FRANCIS | 801-254-4178 | |
| LAYTON | 84040 | HARUO YOSHIKAWA | 801-546-6008 | ISO |
| VERMONT | | | | |
| BOLTON VALLEY | 05477 | JOSEPH ASHLEY | 802-434-6510 | |
| VIRGINIA | | | | |
| RICHMOND | 23228 | FANNING ELECTRICAL SERV. | 804-262-3681 | |
| BURKE | 22015 | L&S ELECTRIC INC. | 703-237-0011 | |
| WILLIAMSBURG | 23185 | TAPROOT COMPANY | 757-229-3722 | ISO |
| WASHINGTON | | | | |
| SPOKANE | 99216 | BRITE-WAY ELECTRIC | 509-922-0275 | |
| TACOMA | 98404 | M.G.M. ELECTRONICS | 253-752-9826 | |
| VANCOUVER | 98682 | NORTHWEST CUSTOM ELECTRIC | 360-882-0290 | |
| WENATCHEE | 98801 | SEW CREATIVE | 509-663-5516 | |
| PASCO | 99301 | ARHA TOTAL SERVICE | 509-547-3799 | |
| WASHINGTON DC | | | | |
| WASHINGTON | 20007 | FAN FAIR | 202-342-6290 | ISO |
| WEST VIRGINIA | | | | |
| SOUTH CHARLESTON | 25309 | PEPPER ELECTRIC | 304-768-8195 | |
| WHEELING | 26003 | TOP HAT STOVE SALES | 304-233-6262 | |
| WISCONSIN | | | | |
| MILWAUKEE | 53219 | BOB'S FAN REPAIR | 414-546-2501 | |
| GREEN BAY | 54313 | KARL DEVROY | 920-494-6090 | |
| FONTANA | 53125 | J&L PROPERTY MAINT. | 262-275-2345 | |
| BROOKFIELD | 53005 | CITY LIGHTS & FANS | 414-781-9048 | |
| ISO/OWTS | | | | |
| MADISON | 53719 | MADISON LIGHTING | 608-271-6911 | |
| LA CROSSE | 54601 | WETTSTEIN'S | 608-784-5555 | |
| OVERSEAS | | | | |
| ST THOMAS | 00805 | DUANE LOBERG | 809-775-2399 | |
| CANADA | | | | |
| TORONTO | M6B1V9 | ZANEEN LIGHTING | 416-247-9221 | |
| ONTARIO | M6B1V9 | | | |

TYPES OF SERVICE OFFERED:
 IHS = IN-HOUSE SERVICE ISO = IN-SHOP ONLY OWTS = SERVICES ONLY WHAT THEY SELL

For the most updated listing of authorized service centers in your area, visit www.casablancafانrepair.com/service/service_centers.html or call toll free: 1-888-227-2178.