

INSTALLATION GUIDE

Confidant RFID Kit 1

3rd party Rose Mount & Back Plate

Confidant RFID™ Installation Instructions (Kit 1)



IMPORTANT: Wear Safety glasses before starting the replacement of parts.

Installation Steps:

1. Tools Needed	3
2. Check for Correct Inventory Kit	4
3 rd Party Rose Mount (Key Override)	4
3 rd Party Rose Mount (No Key Override)	5
3 rd Party Back Plate Mount (Key Override)	6
3 rd Party Back Plate Mount (No Key Override)	7
3. Remove Battery Holder	8
4. Align Posts with Mortise	8
5. Spindle Selection & Installation	9
6. Install Outside Lever	10
7. Install Lock on Door (Options)	11
Back Plate Mount (Key Override)	11
Rose Mount (Key Override)	11
Back Plate Mount (No Key Override)	12
Rose Mount (No Key Override)	12
8. Plug Battery Holder	13
9. Test Lock Functionality	13
10. Program Lock - With Jack Cable	14
11. Install Battery Door	14

Model: Confidant RFID
IC: 4652A-CRFID
FCCID: Q8SCONFIDANT-RFID

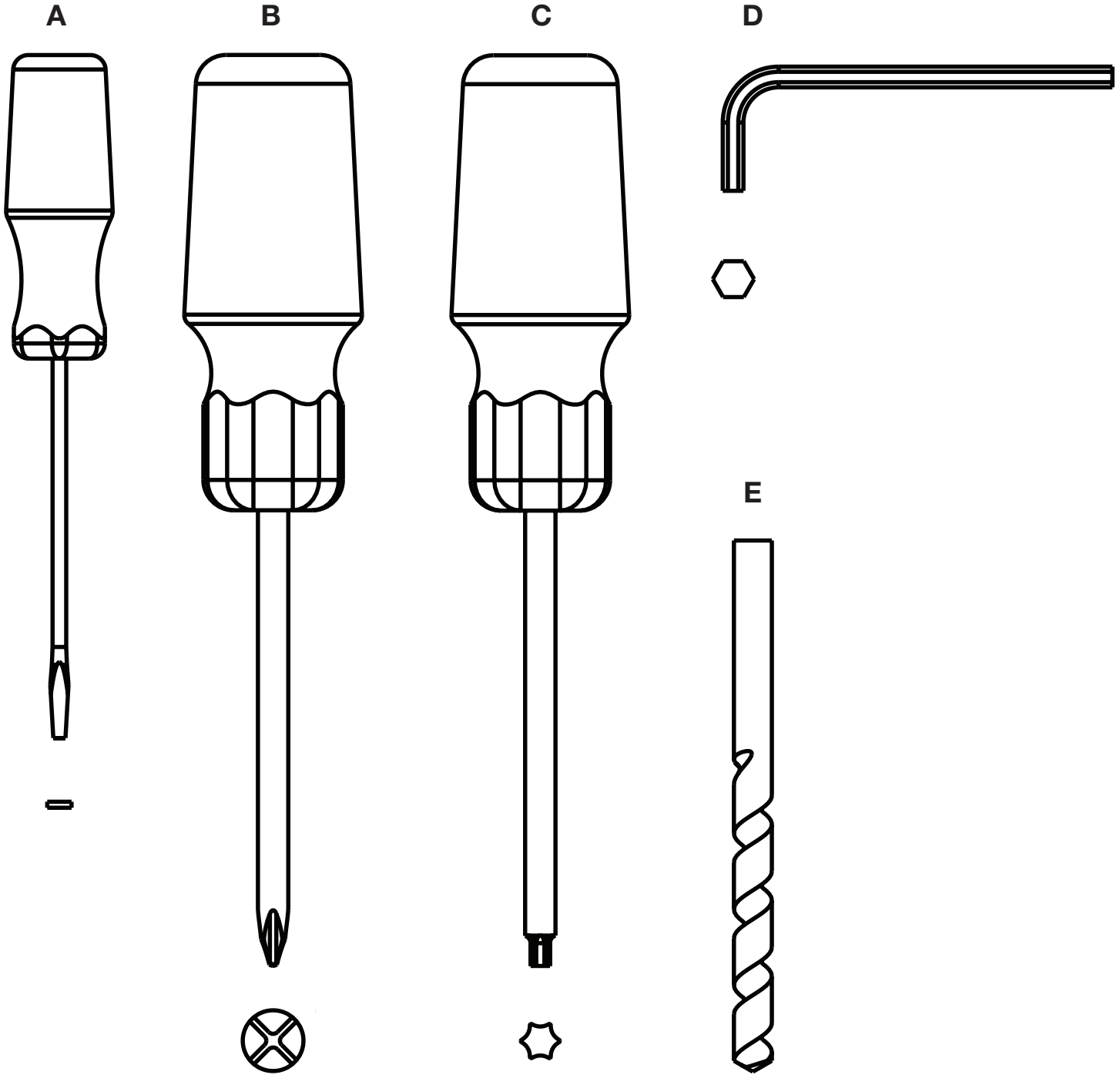
Regulatory Compliance: This device complies with Part 15 of the FCC Rules. Operation is subject to the following two conditions: (1) this device may not cause harmful interference, and (2) this device must accept any interference received, including interference that may cause undesired operation.

Any changes or modifications of this product, not approved by manufacturer will void the user's authority to operate the equipment.

This device complies with Industry Canada licence-exempt RSS standard(s). Operation is subject to the following two conditions: (1) this device may not cause interference, and (2) this device must accept any interference, including interference that may cause undesired operation of the device.

Le présent appareil est conforme aux CNR d'Industrie Canada applicables aux appareils radio exempts de licence. L'exploitation est autorisée aux deux conditions suivantes : (1) l'appareil ne doit pas produire de brouillage, et (2) l'utilisateur de l'appareil doit accepter tout brouillage radioélectrique subi, même si le brouillage est susceptible d'en compromettre le fonctionnement. Made in Canada

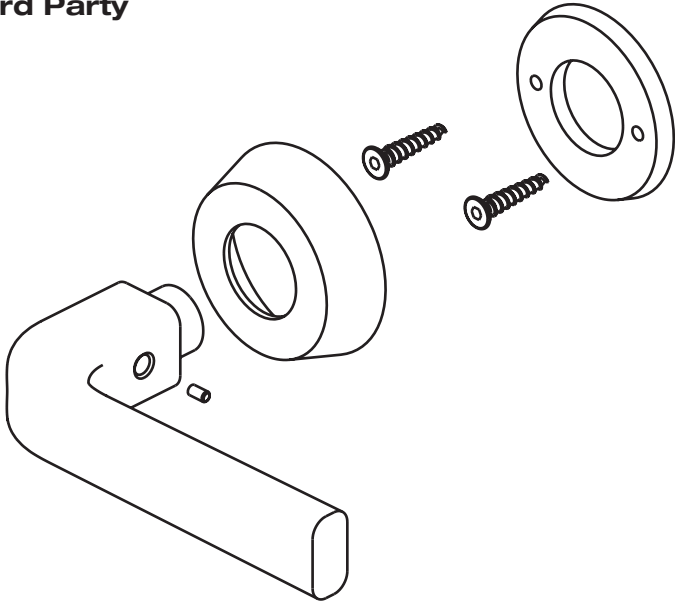
©2012 Kaba Lodging Systems. All trademarks and registered trademarks are the property of their respective owners.



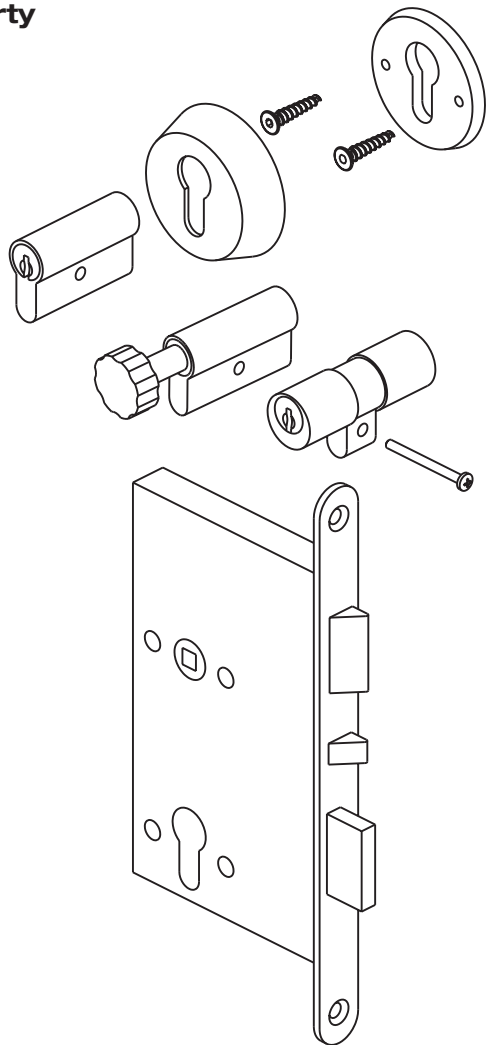
- A - Screw Driver Small Flat**
- B - Screw Driver Phillips #2**
- C - Screw Driver Torx T-20**
- D - Hexagonal Key 3 mm**
- E - 25mm / 19mm / 12mm / 10mm Drill Bit**

2- INVENTORY - 3rd Party Rose Mount (Key Override)

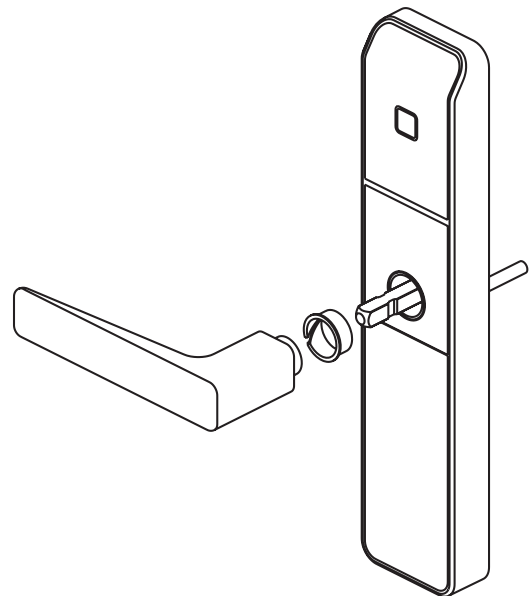
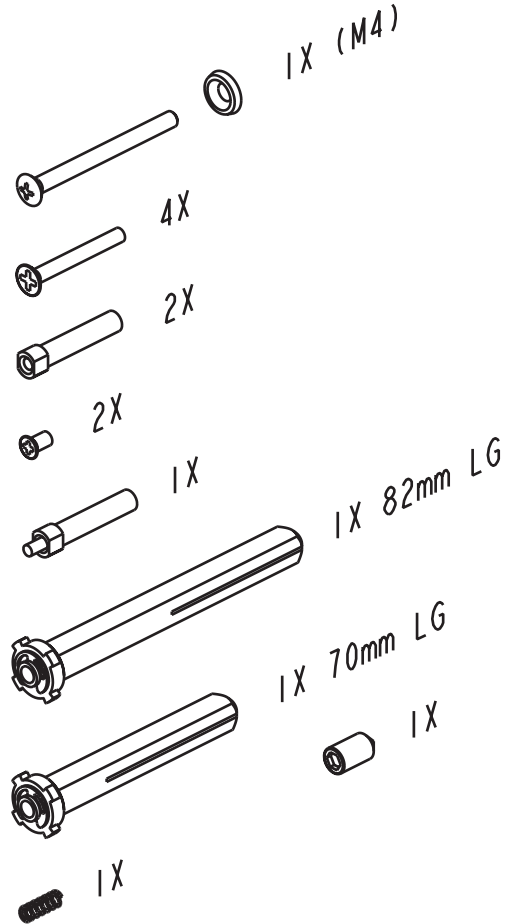
3rd Party



3rd Party

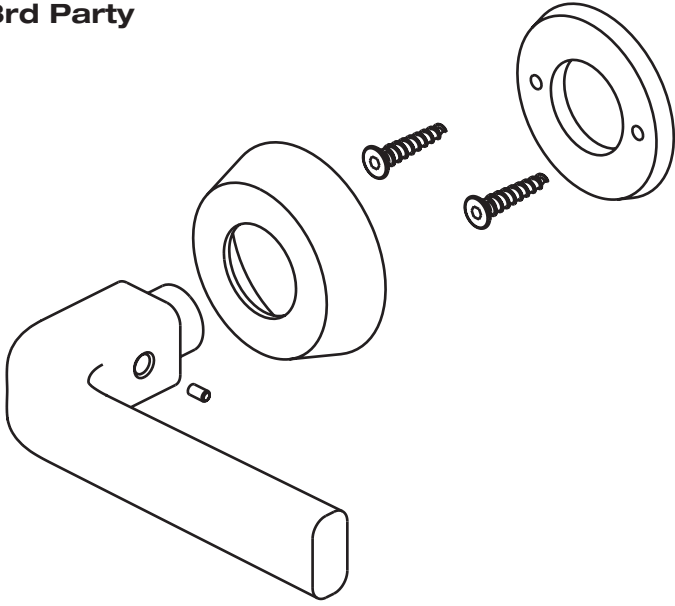


Inventory Kit

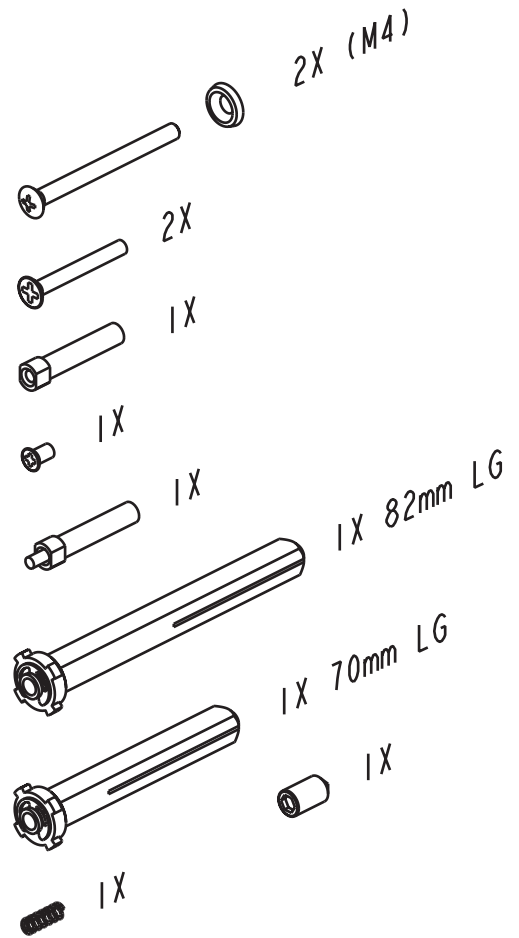


2- INVENTORY - 3rd Party Rose Mount (No Key Override)

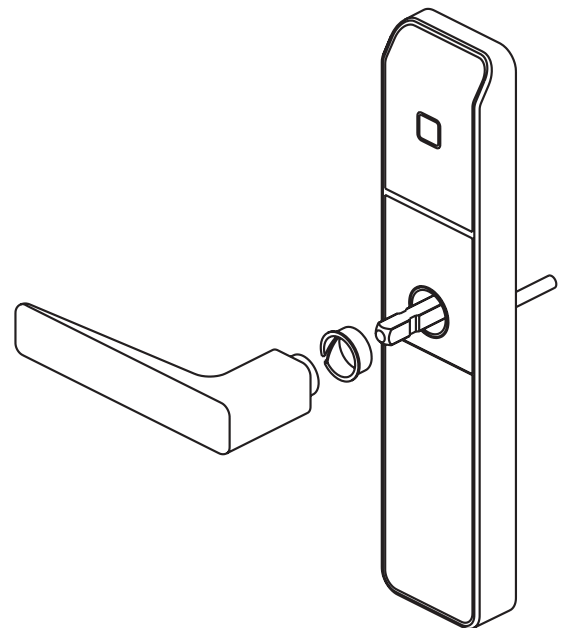
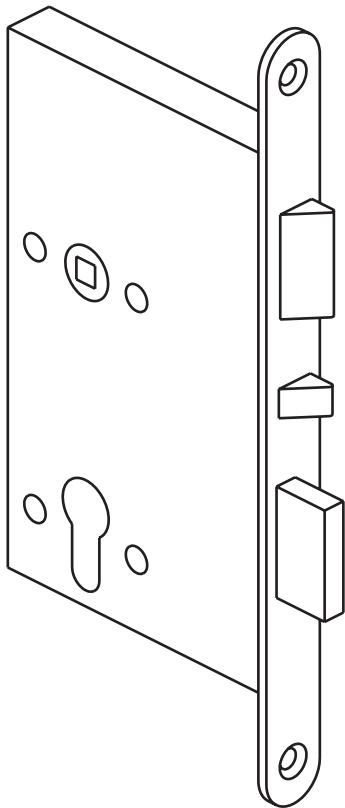
3rd Party



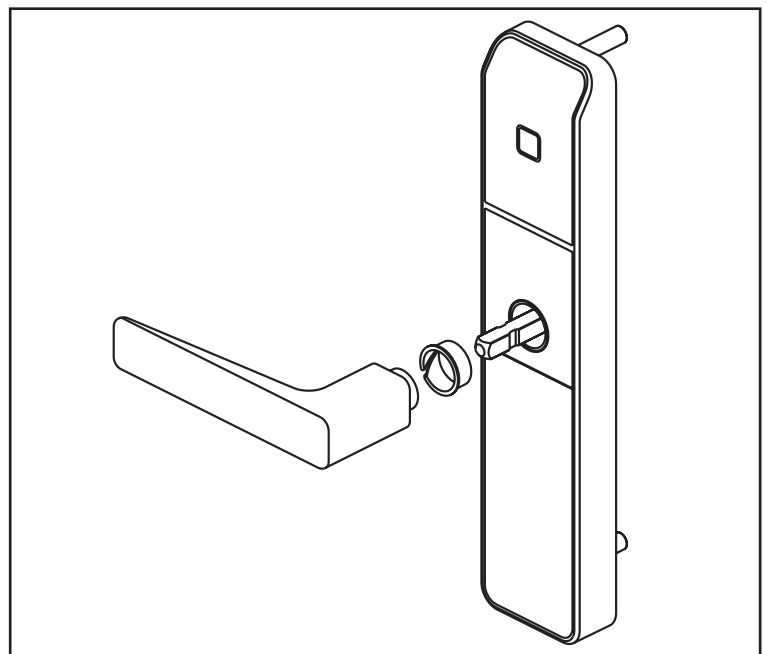
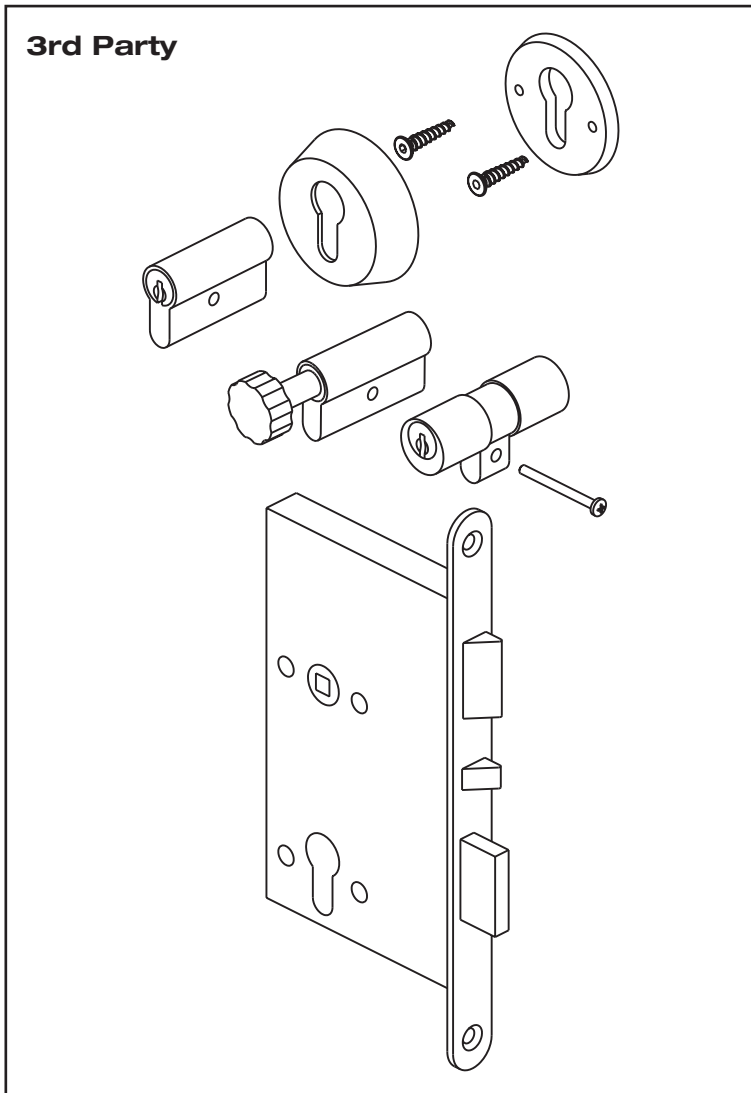
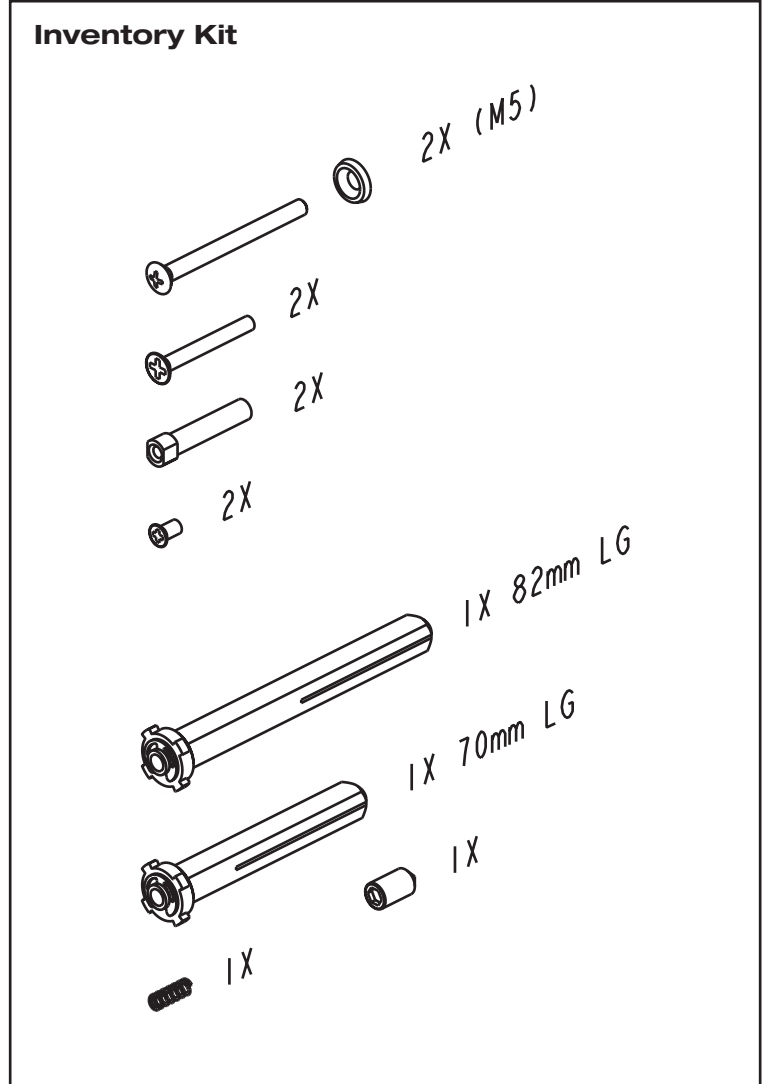
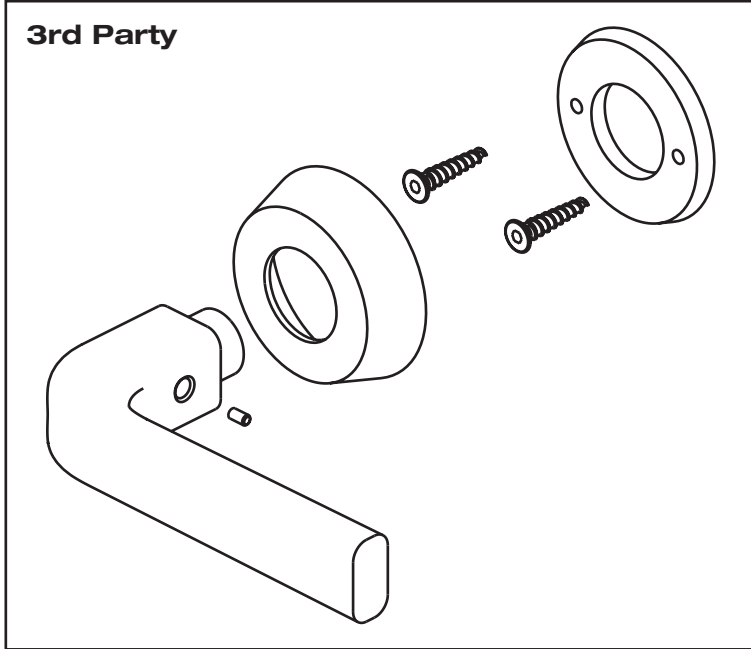
Inventory Kit



3rd Party

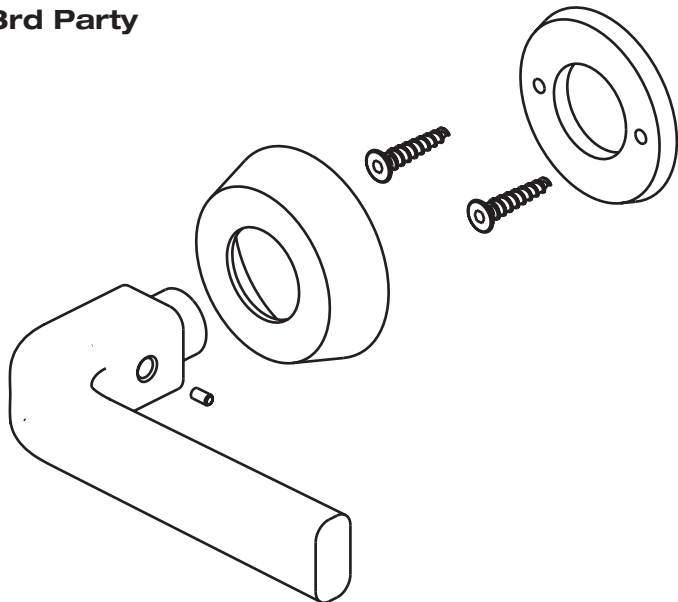


2- INVENTORY - 3rd Party Back Plate Mount (Key Override)

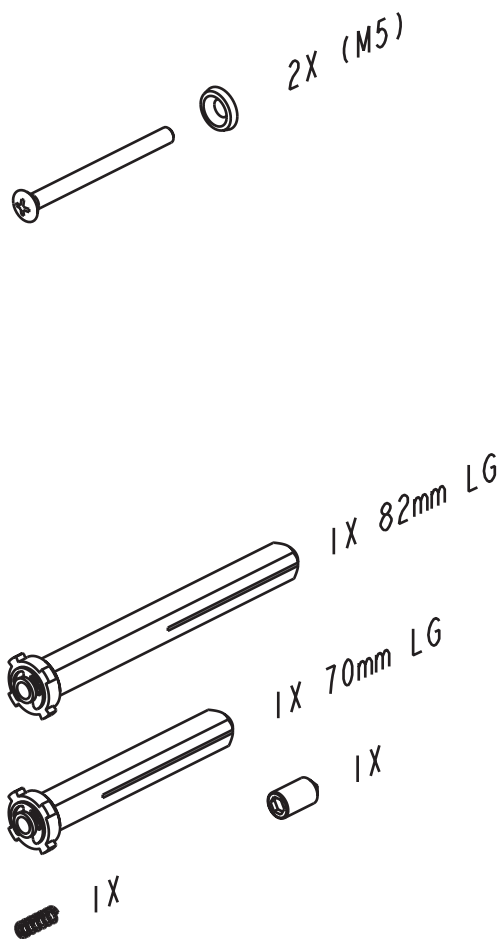


2- INVENTORY - 3rd Party Back Plate Mount (No Key Override)

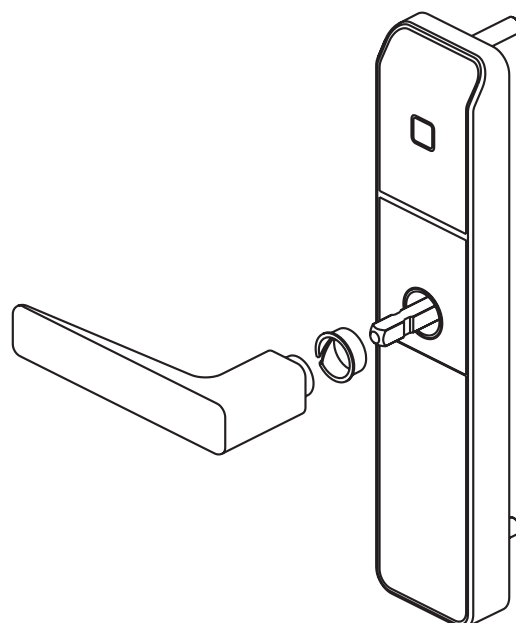
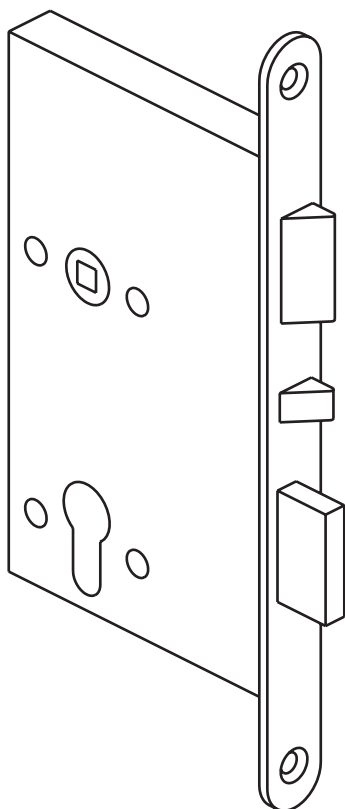
3rd Party



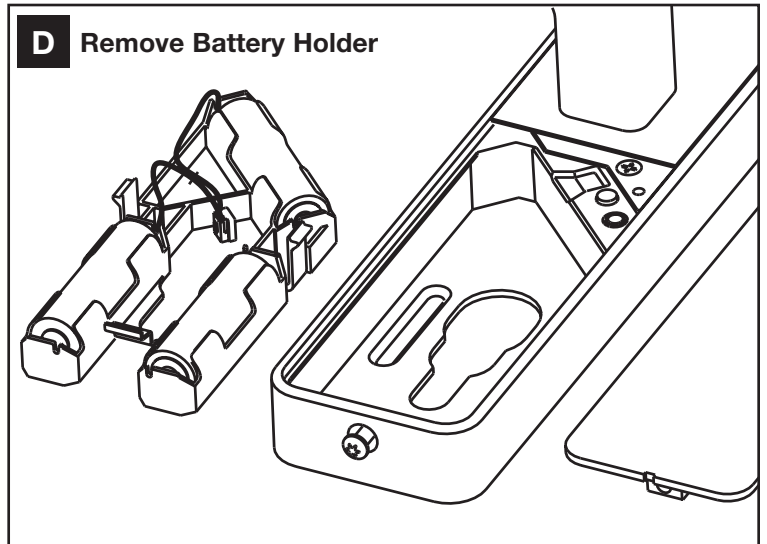
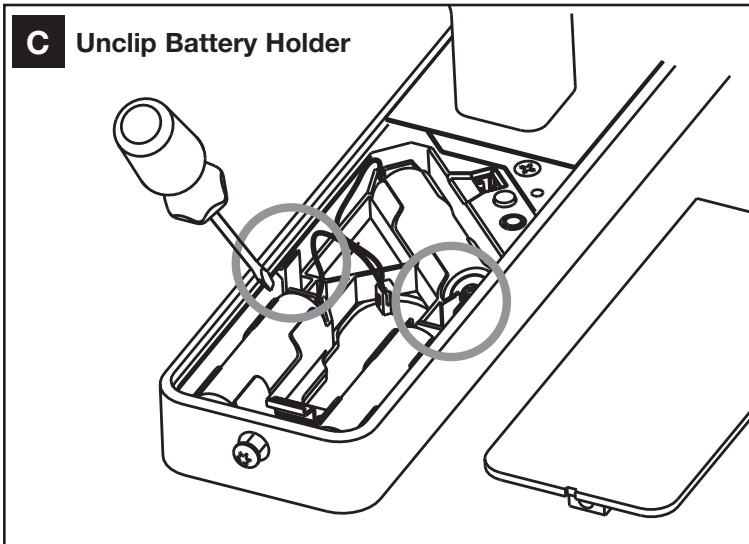
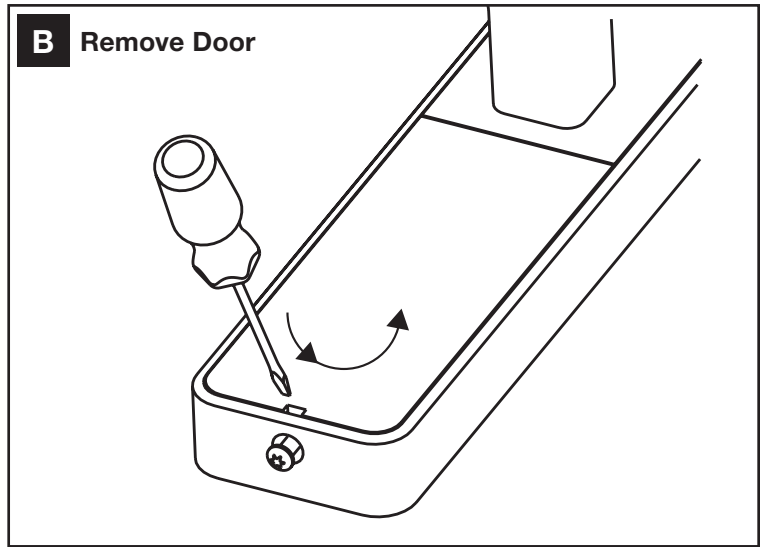
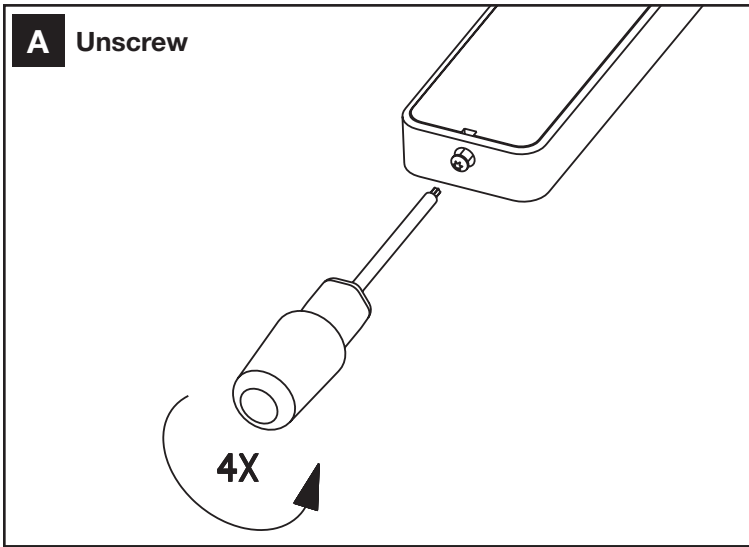
Inventory Kit



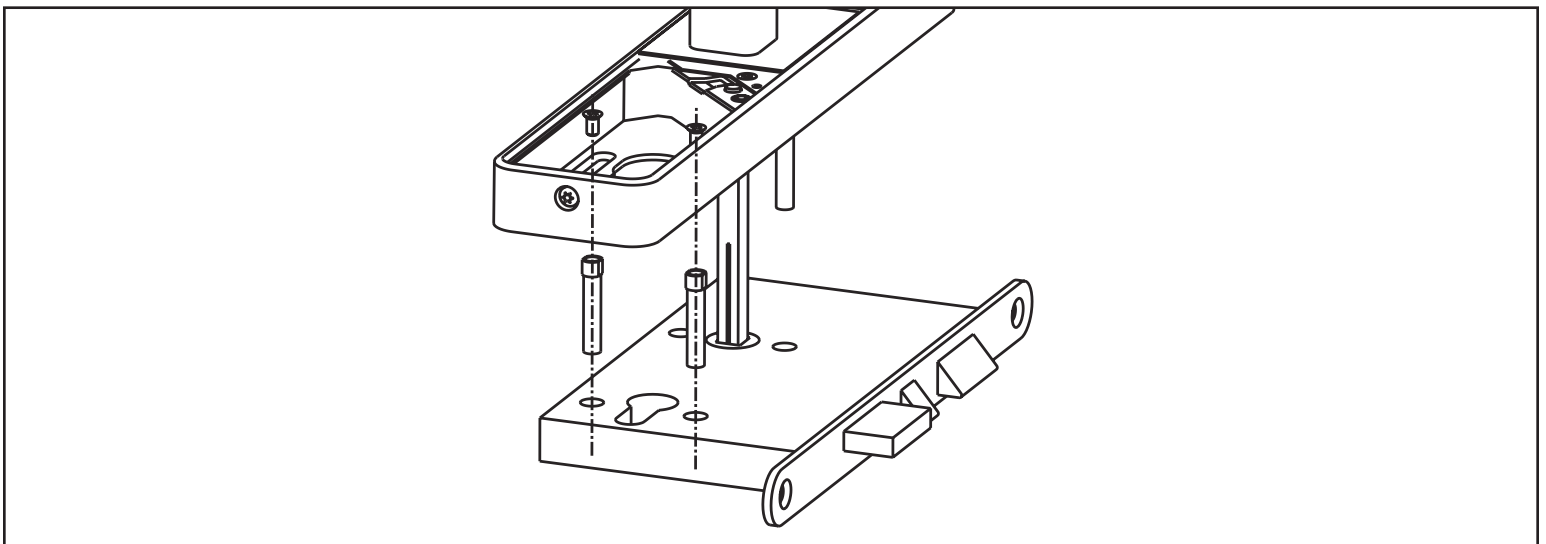
3rd Party



3- REMOVE BATTERY HOLDER

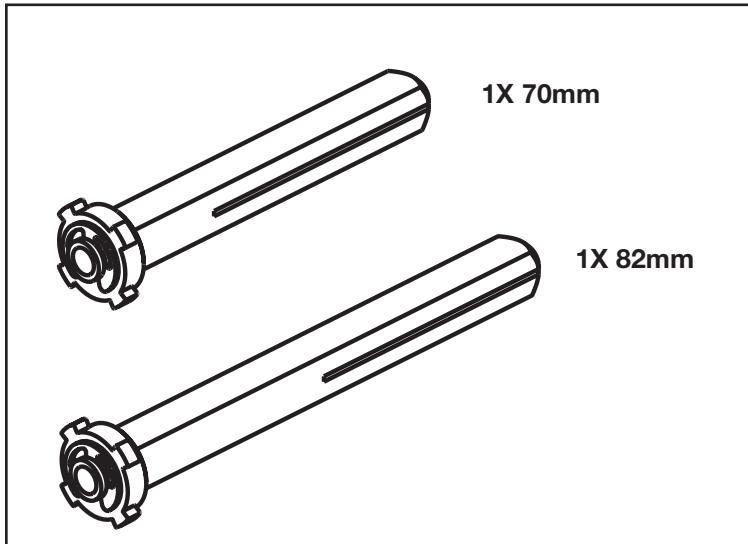


4- ALIGN POSTS WITH MORTISE

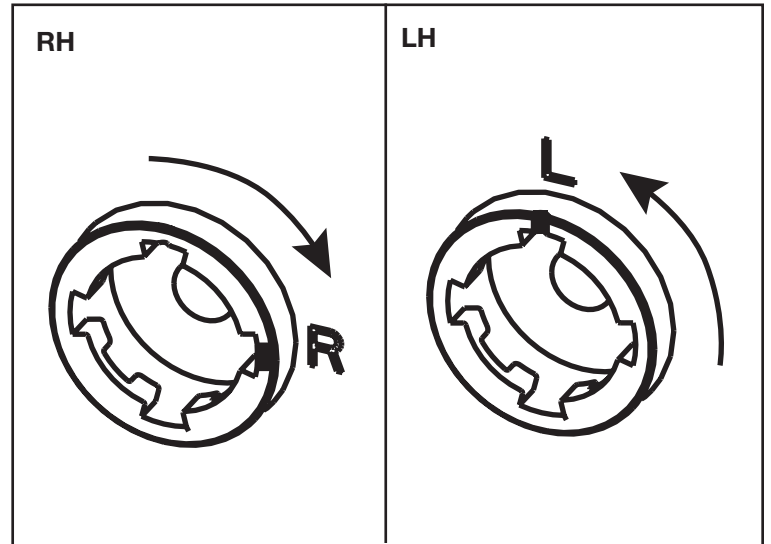


5- SPINDLE - Selection & Installation

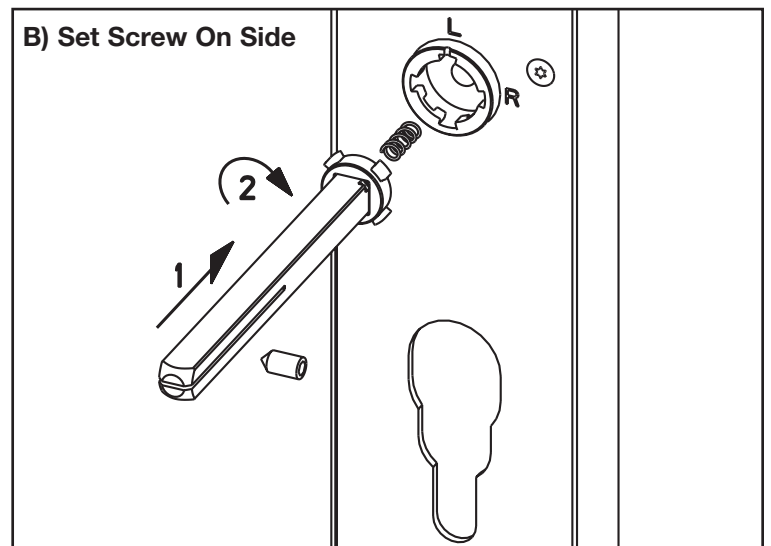
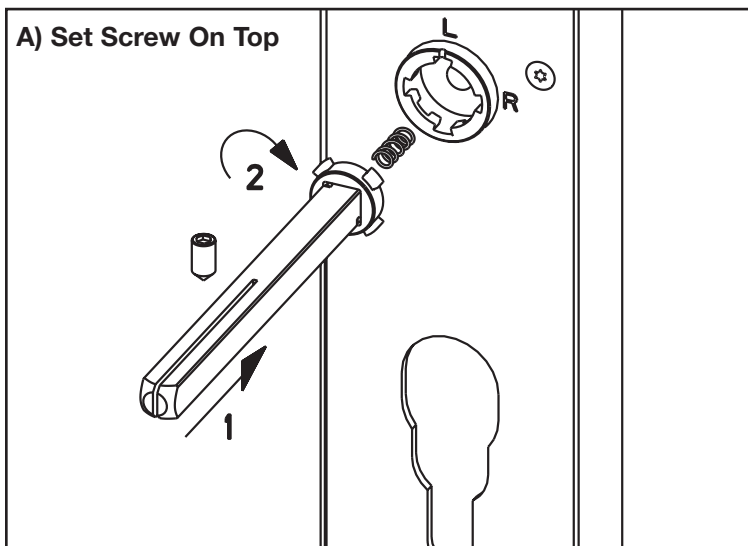
1- Choose Correct Spindle



2- Check Handing: Adjust for Right Hand (RH) or Left Hand (LH)

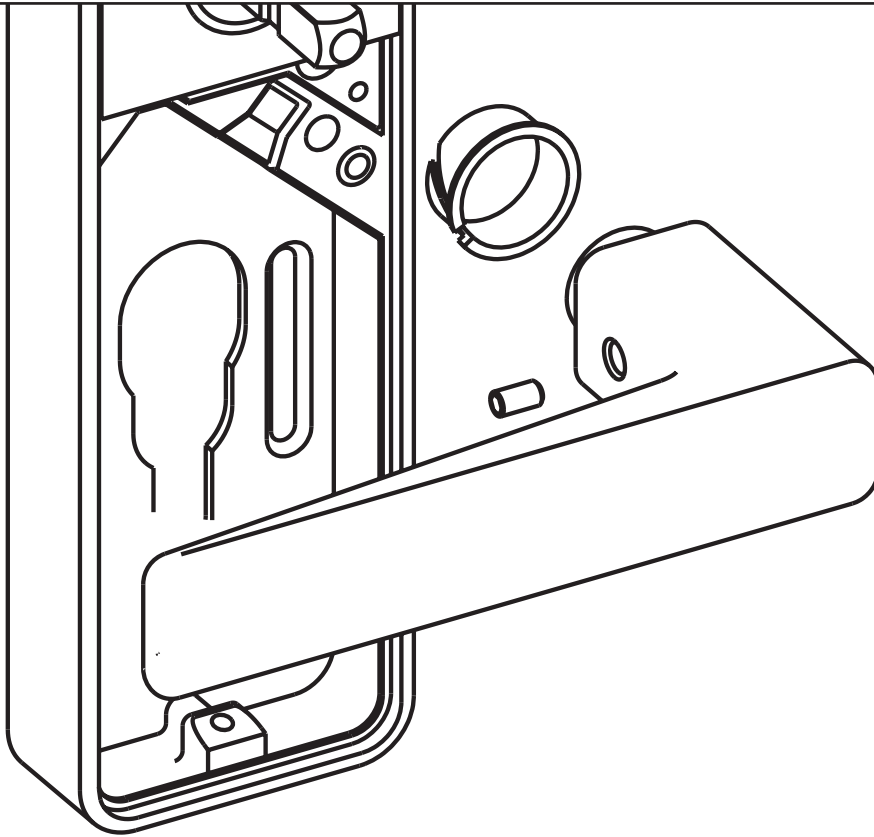


3- Insert Spindle: Check groove is in line with the inside lever set screw position.

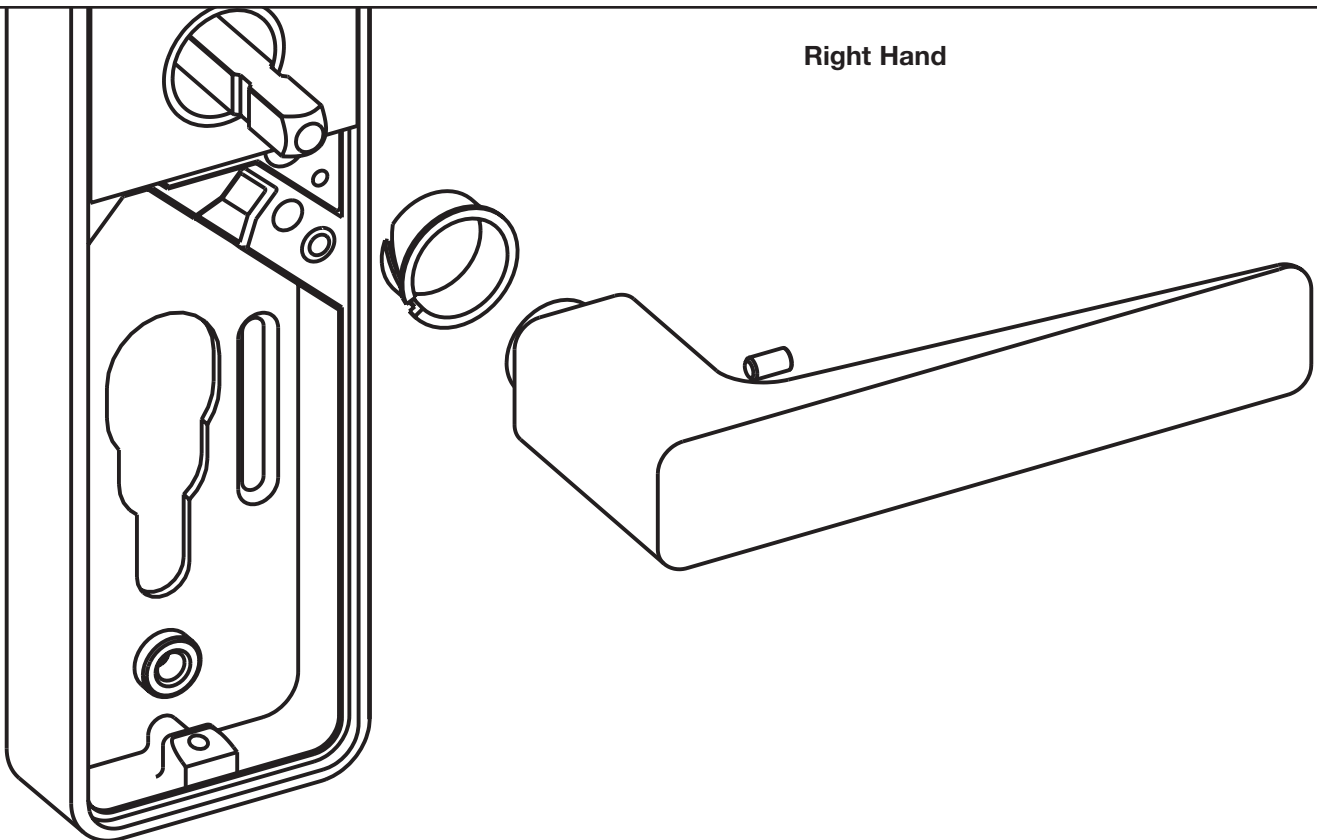


6- INSTALL OUTSIDE LEVER

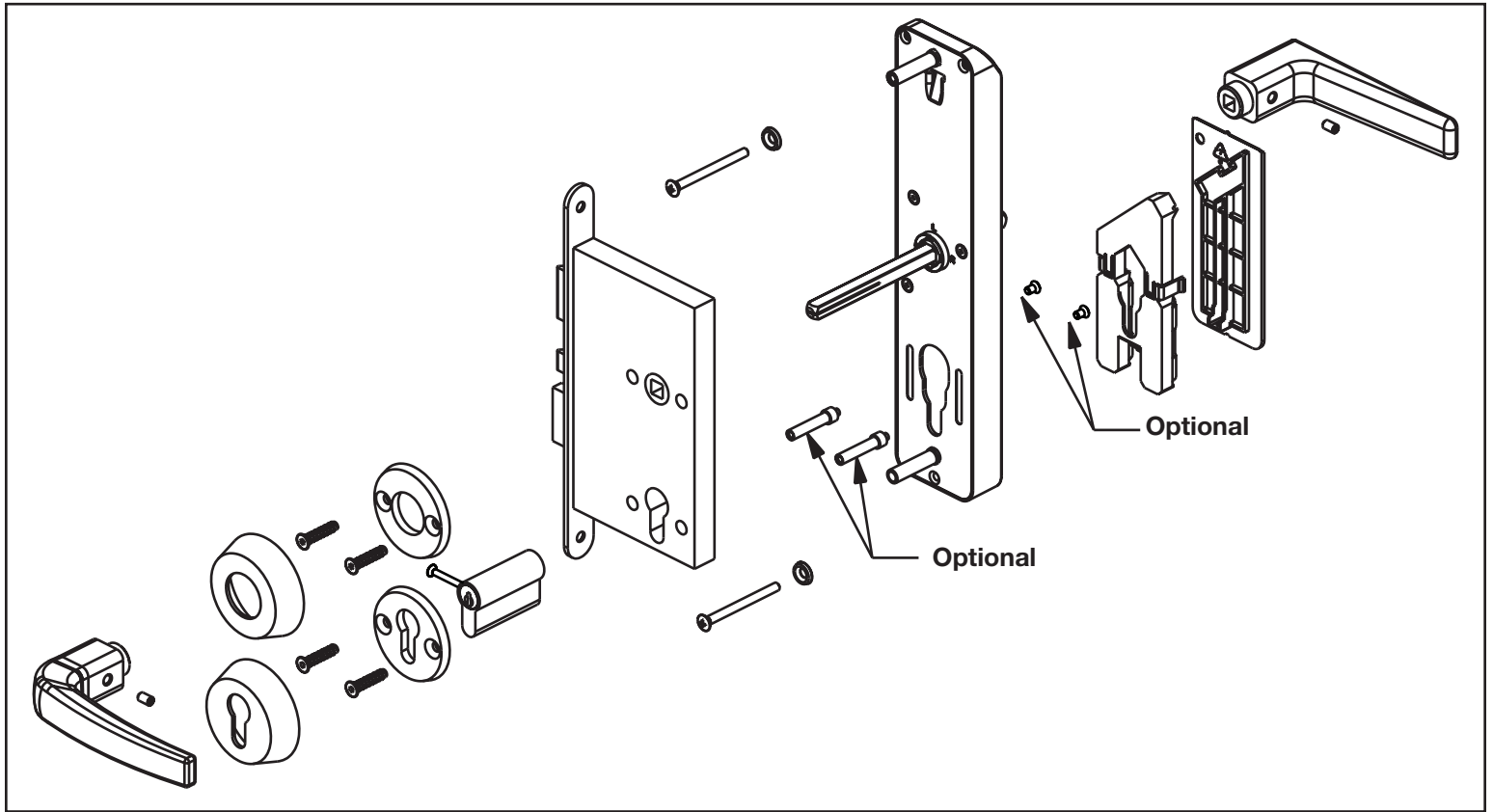
Left Hand



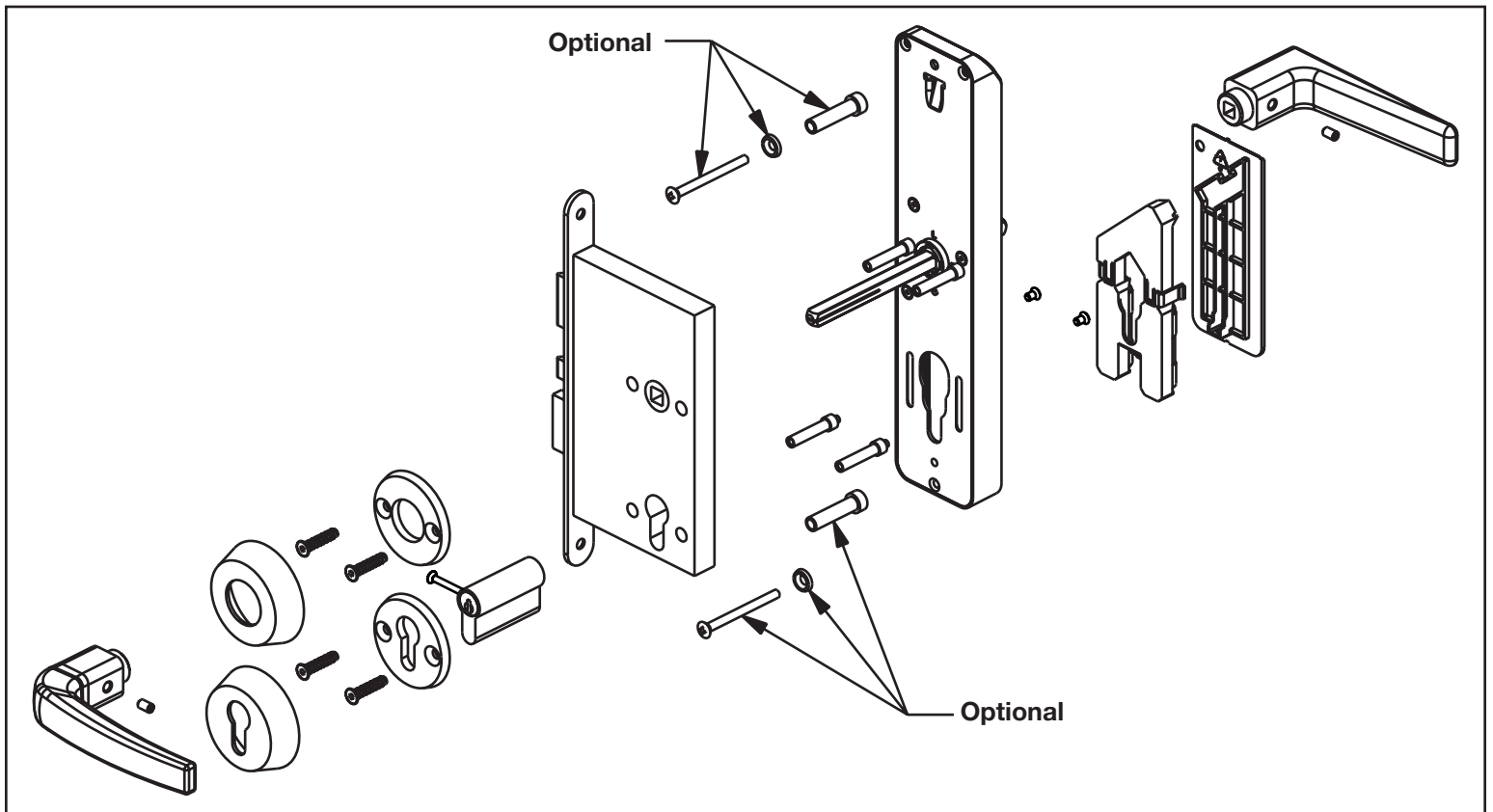
Right Hand



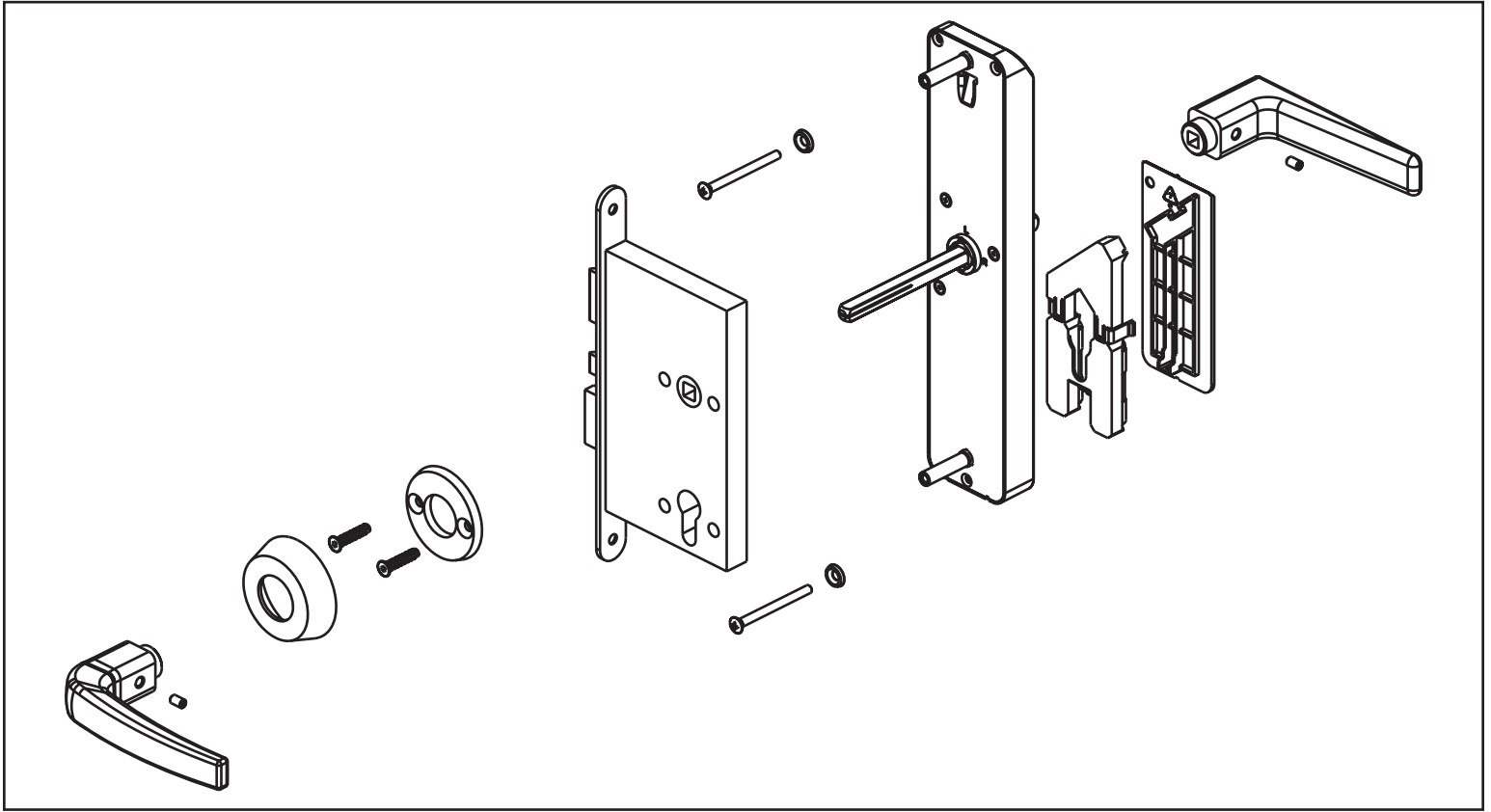
7- INSTALL LOCK ON DOOR - Back Plate Mount (Key Override)



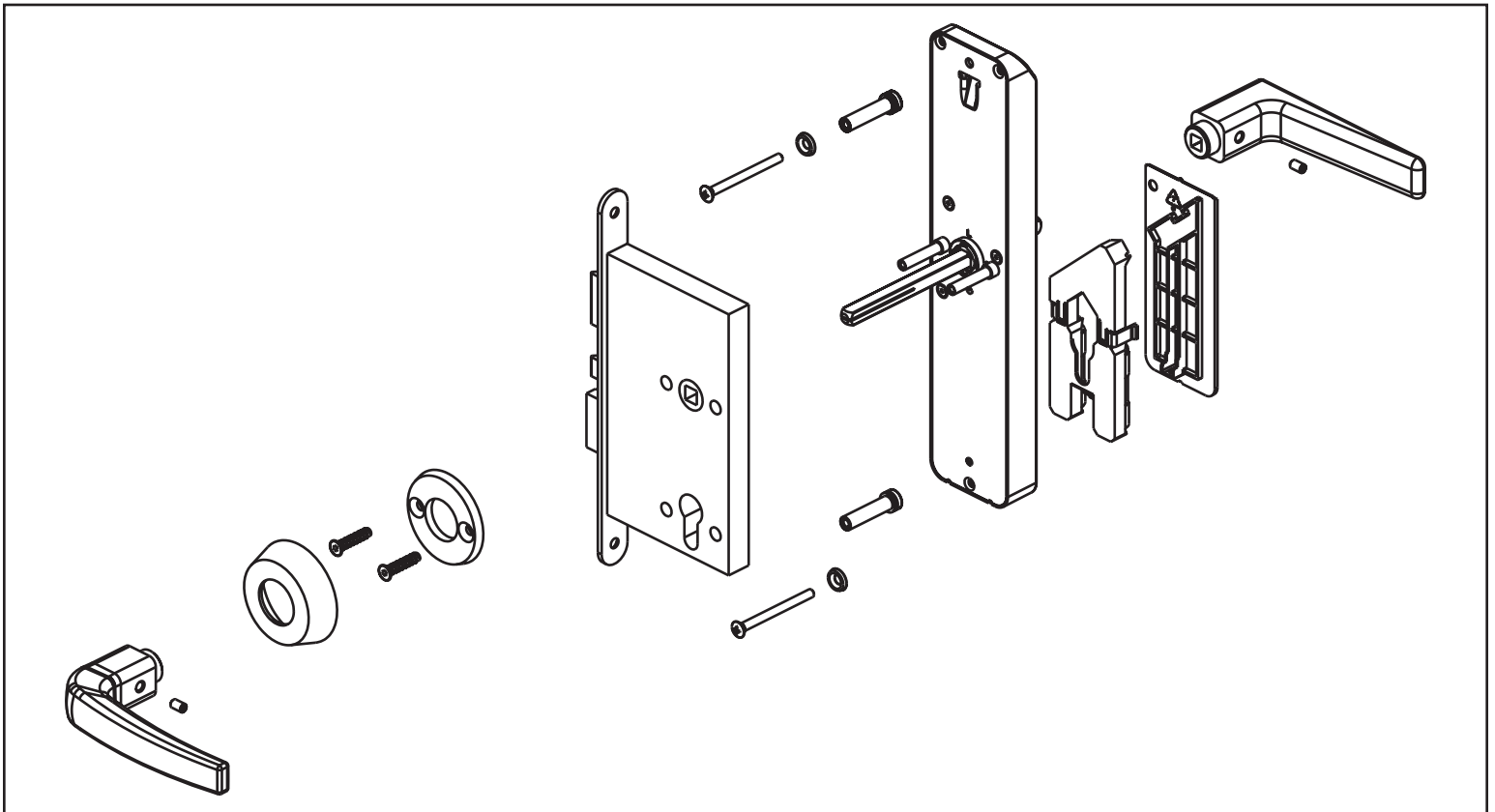
7- INSTALL LOCK ON DOOR - Rose Mount (Key Override)



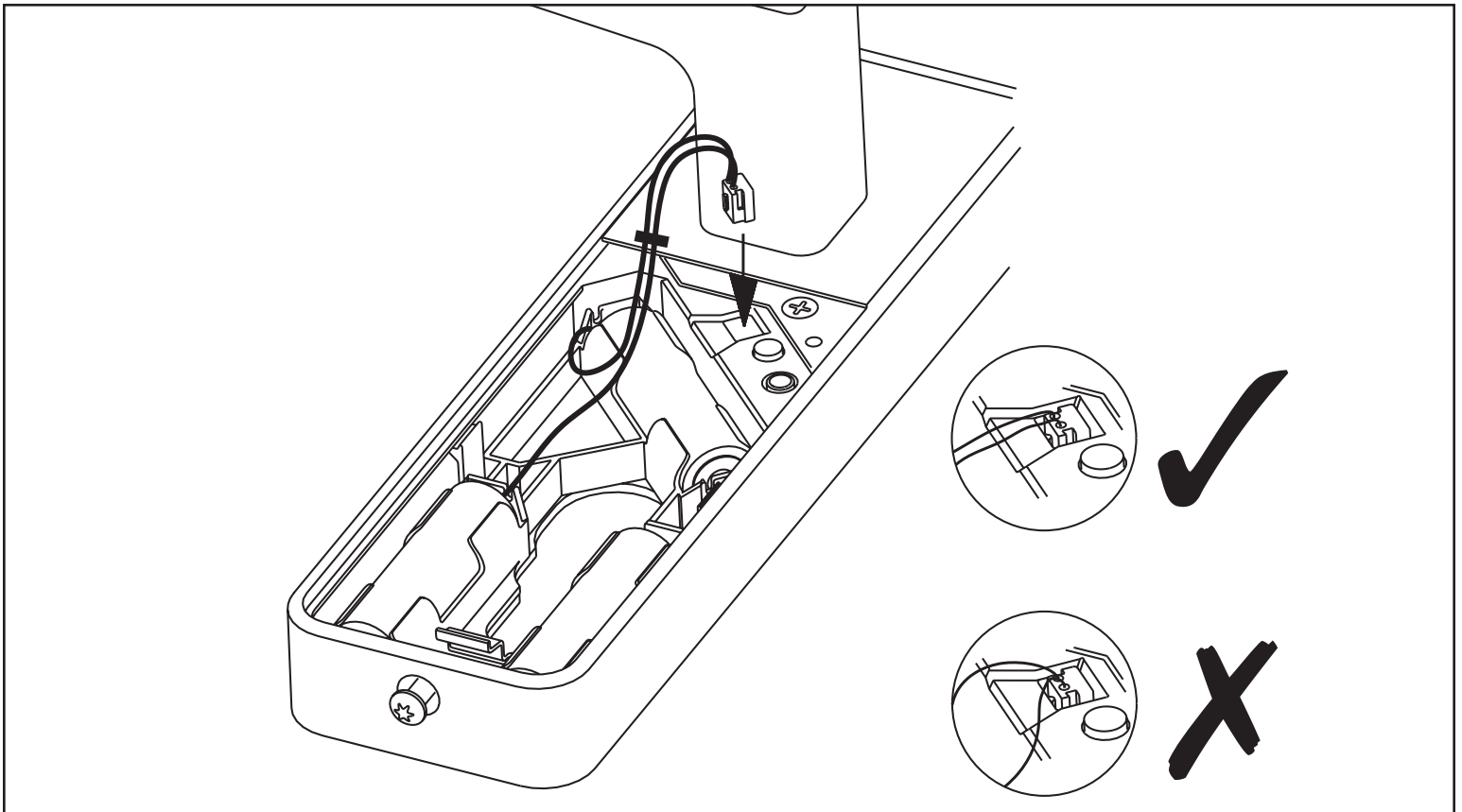
7- INSTALLATION ON DOOR - Back Plate Mount (No Key Override)



7- INSTALLATION ON DOOR - Rose Mount (No Key Override)



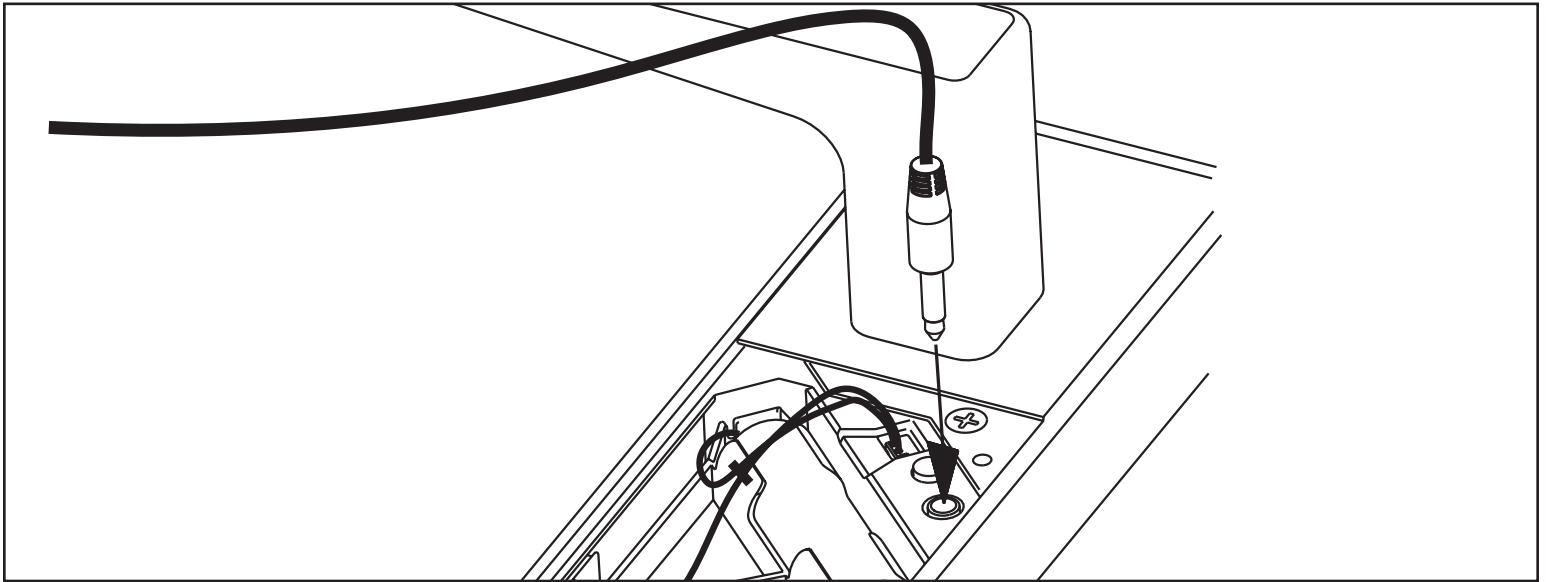
8- PLUG BATTERY HOLDER



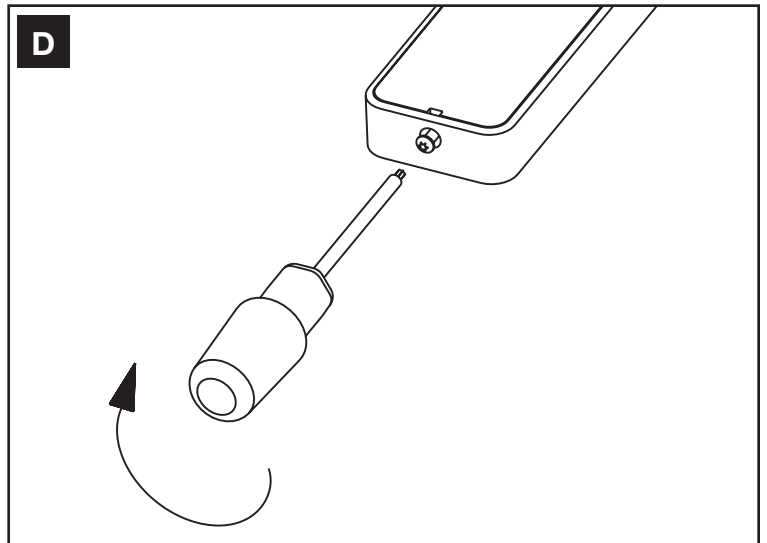
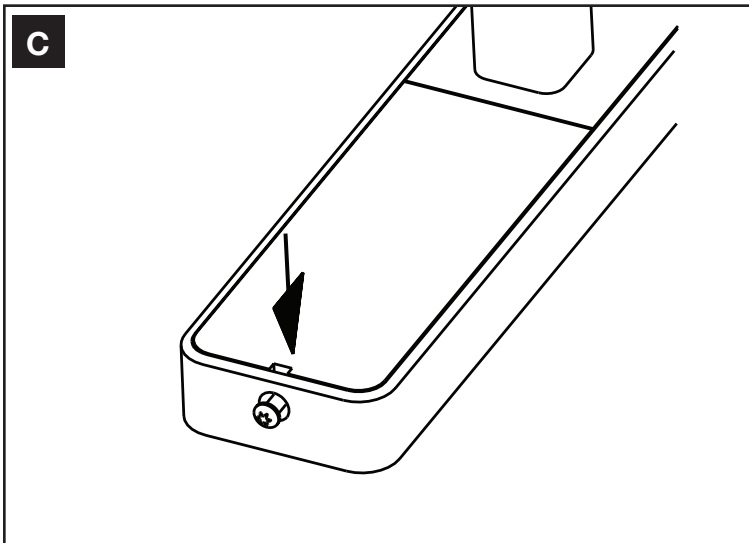
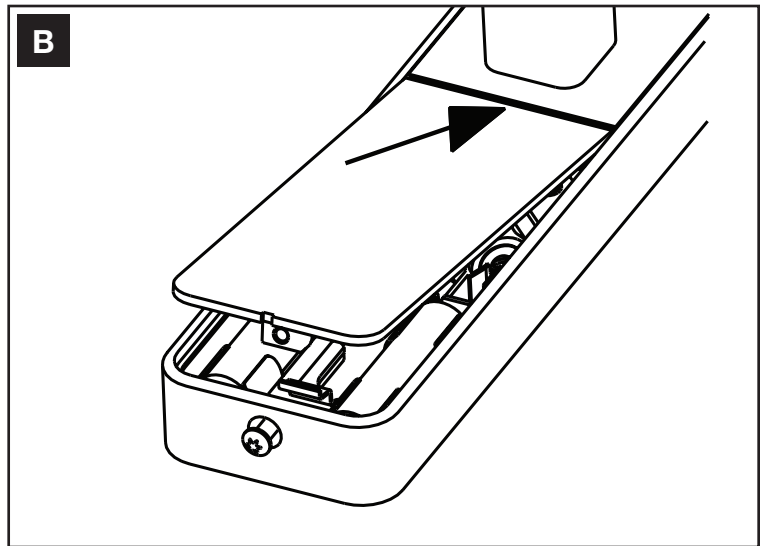
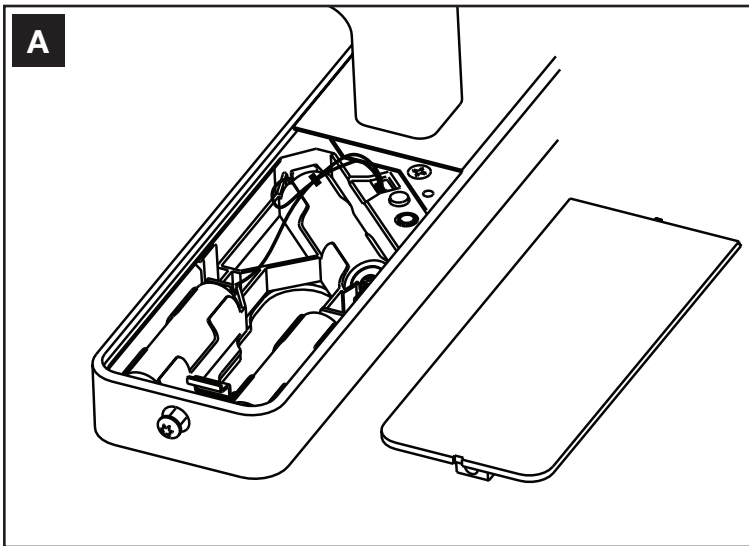
9- TEST LOCK FUNCTIONALITY

- A - Present Test Keycard**
- B - Check Green & Red Lights Flash**
- C - Rotate Outside Lever to Check Bolt Retraction**
- D - Release Outside Lever, Should Move Freely**
- E - Rotate Inside Lever to Check Bolt Retraction**
- F - Check Bolt Projection from Thumbturn & Key**

10- PROGRAM LOCK - With Jack Cable



11- INSTALL BATTERY DOOR





Kaba Ilco Inc.
7301 Boul. Décarie Montréal (QC) H4P 2G7

Technical Support:
1.800.906.4526

Customer Service:
T: 1.877.468.3555
F: 514.735.6589

General Information:
www.ilcolodging.com

Online Consumable Orders:
www.keycard.com

To access all of our easy steps, please visit our Support Website:
<http://connect.kabalodging.com>