

# Terminal 97 00

## Technical Manual

04043552 - 07/2017

EN

dormakaba 

dormakaba EAD GmbH  
Albertstraße 3  
78056 Villingen-Schwenningen  
Germany  
T: +49 (0)7720 603-0  
[www.dormakaba.com](http://www.dormakaba.com)  
Company headquarters: Heiligenhaus

Copyright © dormakaba 2017  
All rights reserved.

No part of this document may be reproduced or used in any form or by any means without prior written permission of dormakaba Schweiz AG.

All names and logos of third-party products and services are the property of their respective owners.

Subject to technical changes.

# Table of Contents

<b>1</b>	<b>About this document</b>	<b>7</b>
1.1	Validity	7
1.2	Target group	7
1.3	Content and purpose	7
1.4	Using the document	8
1.5	Additional documentation	8
1.6	Warnings	9
	1.6.1 Hazard categories	9
	1.6.2 Symbols	9
1.7	Information	9
1.8	Instructions	10
<b>2</b>	<b>Basic safety information</b>	<b>11</b>
2.1	Proper use	11
2.2	Assembly and installation	11
2.3	Service and maintenance	11
2.4	Accessories and spare parts	11
2.5	Electrical hazards	12
2.6	Handling of lithium batteries	12
2.7	ESD protective measures	13
2.8	Environmental protection	13
<b>3</b>	<b>Product description</b>	<b>14</b>
3.1	Overview	14
3.2	Technical data	15
	3.2.1 System	15
	3.2.2 Multimedia	15
	3.2.3 Interfaces/Communication	16
	3.2.4 Reader	16
	3.2.5 Inputs/Outputs	16
	3.2.6 Power supply	17
	3.2.7 Uninterruptible power supply	17
	3.2.8 Ambient conditions	17
	3.2.9 Dimensions	18
3.3	Conformity	21
3.4	Marking	23
<b>4</b>	<b>Construction and function</b>	<b>24</b>
4.1	Device structure	24
	4.1.1 Terminal housing - Front	25
	4.1.2 Terminal housing - Rear side	26
	4.1.3 Docking station	27
	4.1.4 Interface assignment	31
	4.1.5 Uninterruptible power supply UPS510	31
4.2	Product versions	32
	4.2.1 Basic equipment	32
	4.2.2 Optional equipment (not retrofittable)	32
	4.2.3 Optional equipment (retrofittable)	32
	4.2.4 Accessories	32
4.3	Terminal software	33
	4.3.1 BaseApp	33
	4.3.2 Kaba test program	33
	4.3.3 B-Client HR30 terminal software	33
	4.3.4 B-Client HR30 software options	33
4.4	System connection	36
	4.4.1 Communication principle	36

4.4.2	Parametrization	36
4.4.3	Authorizations	36
4.4.4	Data from the terminal	36
4.4.5	Operating states	37
4.4.6	Devices with biometric reader	37
4.5	Authentication types	38
4.5.1	Mode 1: Identification	38
4.5.2	Mode 2: Verification	38
4.5.3	Mode 3: Verification (ID)	38
4.5.4	Mode 4: Combination of modes 1 and 2	38
4.5.5	Mode 5: Combination of modes 2 and 3	38
4.5.6	Alternative types of authentication	39
4.5.7	Additional PIN entry	39
4.6	CardLink	40
<b>5</b>	<b>Installation</b>	<b>41</b>
5.1	Installation conditions	41
5.1.1	General	41
5.1.2	Installation site	41
5.1.3	Connections	41
5.1.4	Power supply	42
5.1.5	Cable entry	43
5.2	Installation lines	44
5.2.1	24 V DC power supply	44
5.2.2	Mains voltage supply	44
5.2.3	Ethernet	44
5.2.4	Inputs/Outputs	44
5.3	Fastening the docking station	45
5.4	Connections	46
5.4.1	Connecting the network cable	46
5.4.2	Connecting the mains voltage	46
5.4.3	Mains fuses	47
5.4.4	Connecting 24 V DC power supply	48
5.4.5	Digital inputs	49
5.4.6	Relay outputs	50
5.4.7	Connecting an external reader	51
5.5	Uninterruptible power supply UPS510	52
5.6	Fasten the terminal housing to the docking station.	53
<b>6</b>	<b>Commissioning</b>	<b>54</b>
6.1	Network requirements	54
6.1.1	Communication	54
6.1.2	Comparing finger templates	54
6.1.3	Automatic registration via B-COMM	54
6.2	Automatic registration via B-COMM	55
6.2.1	Cancelling automatic registration	55
6.3	Manual settings	56
6.4	Settings via the Kaba test program	57
6.4.1	Service language	57
6.4.2	Reader settings	57
6.5	Service Interface	60
6.5.1	Remote access	60
6.5.2	Accessing the service interface locally from the B-Client HR30 terminal software.	61
6.5.3	Accessing the service interface locally from the BaseApp	62
6.6	Android system settings	63
6.6.1	Network settings	64
6.6.2	Settings for adjustment to the environment	67
6.7	Reader initialization	68
6.7.1	LEGIC	68
6.7.2	MIFARE (ARIOS)	69
6.7.3	MIFARE (Baltech)	69
6.8	SFTP server	70

6.8.1	Preconditions	70
6.8.2	Establishing an SFTP connection	70
6.8.3	Information on the key file	71
6.8.4	Important directories and files	72
6.9	Remote setup	73
<b>7</b>	<b>Operation</b>	<b>74</b>
7.1	Operating elements	74
7.2	Display	74
7.3	Touch screen	74
7.4	Navigation keys	75
7.5	RFID reader	76
7.6	Biometric reader	76
7.7	Swipe reader	77
7.8	Symbols for user guidance	78
7.8.1	Function keys	78
7.8.2	Input prompt	79
7.8.3	Error states	80
7.8.4	CardLink	80
7.8.5	Finger entry	81
7.9	BaseApp	82
7.9.1	Starting the application	82
7.9.2	App management	83
7.9.3	System Information	85
7.10	B-Client HR30 terminal software	86
7.10.1	Starting the terminal software	86
7.10.2	Shutting down the terminal software	87
7.10.3	Info functions	88
7.10.4	Registering new fingerprints at the terminal	89
<b>8</b>	<b>Maintenance</b>	<b>93</b>
8.1	Backup battery	93
8.1.1	Battery change	93
8.2	Replacement of the uninterruptible power supply UPS510	94
8.3	Cleaning the housing	94
8.4	Installation/Update of the terminal software	95
8.4.1	Data backup	95
8.4.2	Preparing installation/update	95
8.4.3	Performing an update	95
8.4.4	Performing the installation	96
8.5	Android update	96
<b>9</b>	<b>Packaging/Returns</b>	<b>97</b>
9.1	Complete devices	97
9.2	Electronic components	97
9.3	Labelling	98
<b>10</b>	<b>Disposal</b>	<b>99</b>
	<b>Index</b>	<b>101</b>



# 1 About this document

## 1.1 Validity

This document describes the product:

Product designation:	Terminal 97 00
Product ID:	9700-K6
Item number	04079701
Terminal software:	735-05-X-K02 - B-Client HR30
BaseApp:	771-05-X-K02
Kaba test program	797-05-X-K02
Date of manufacture:	From April 2017

This document describes all product versions and all optional features and functions. Options are subject to a charge and therefore only available if purchased. Additional features and functions may not be available at the time the document is issued and may only be available for purchase at a later date.

## 1.2 Target group

This quick start guide is intended for skilled persons only.

The descriptions are intended for skilled persons trained by the manufacturer. The descriptions are no replacement for product training.

For reasons of equipment safety, the installation, maintenance and service measures described in this documentation should only be carried out by skilled persons in accordance with EN 62368-1 (Audio/Video, Information and Communication Technology Equipment – Part 1: Safety Requirements).

Skilled person is the designation for people who have the appropriate technical training and experience in setting up the equipment. Skilled persons are expected to use their training and experience to identify any risks to themselves and others that may arise while carrying out these activities, and to minimise these risks as far as possible. It is the skilled person's responsibility to ensure that the conditions stated by the manufacturer and the applicable regulations and standards are complied with when carrying out these actions.

This documentation is also used to provide information for persons with the following tasks:

- Project planning and implementation
- Putting the product into operation within a network
- Connecting the product to the user software by programming customer applications
- Customer-specific adjustment through parameter setting on the product

## 1.3 Content and purpose

Content is limited to the assembly, installation, commissioning and basic operation of the product.

## 1.4 Using the document

To make it easier to find specific topics, please refer to the following document guidelines:

- The contents list at the start of the document provides an overview of all topics.
- The headings also list the relevant main chapter.
- Cross-references provide the number of the chapter in which more information can be found. Example [▶ 5.7].
- There is an alphabetical index at the end of the document.

## 1.5 Additional documentation

Specific parametrization of the terminal software:

- B-Client HR30 reference manual

Web interface for commissioning:

- Service interface reference manual

Kaba ARIOS security concept and required system adjustments for different MIFARE media:

- Kaba MIFARE adjustments reference manual

Supplementary documentation is available on the Kaba website. Technical manuals can be found in a secured area of the website.

- Access is only granted after a valid login.
- An account must be set up before logging in for the first time.

Opening login screen:

1. Open your internet browser and go to <http://www.kaba.com>.
2. Choose your language in the top right-hand corner of the screen.
3. Under 'Products', choose either the 'Access Management' or 'Workforce Management' product division.
4. In the top right-hand corner of the screen, click on the following symbol:



5. Enter your email address and password to log in or create a new account (see below).
- ⇒ The technical manuals can be found under 'Downloads'.

Creating an account:

1. Click 'Create account'.
2. Fill in the data fields and confirm your entries.
  - ⇒ A confirmation link will be sent to your email address.
3. Click on the confirmation link in your email to activate your account.



## 1.6 Warnings

Warnings with information, instructions and forbidden actions to prevent personal injury and material damage are highlighted.

Please note the warnings! These are intended to help avoid accidents and prevent damage.

### 1.6.1 Hazard categories

Warnings are divided into the following categories:



#### **DANGER**

##### **High risk**

Designates an imminent danger resulting in serious injuries or death.

---



#### **WARNING**

##### **Medium risk**

Designates a potentially dangerous situation which can result in serious injuries or death.

---



#### **CAUTION**

##### **Low risk**

Indicates a potentially dangerous situation that can lead to minor injury.

---



#### **NOTICE**

##### **Important information about the correct use of the product.**

Non-adherence to the notes can lead to malfunctions. The product or something in its vicinity could be damaged.

---

### 1.6.2 Symbols

Depending on the hazard source, the following symbols are used for warnings.



General hazard



Hazard caused by electric power



Risk of explosion



Risk to electronic components caused by electrostatic discharge

## 1.7 Information

Notes are marked with an info symbol.

---



Application tips, useful information

They allow optimum use of the product and of its functions.

---

## 1.8 Instructions

Structure and symbols of the instructions are illustrated in the following example:

- ✓ Prerequisite
- 1. Step 1
  - ⇒ Interim result
- 2. Step 2
  - ⇒ Result

## 2 Basic safety information

This product has been built according to the latest technology and accepted safety regulations. Nevertheless, handling this product can pose a risk to people and property.



---

Read and observe the following safety information before using the product.

---

### 2.1 Proper use

This product has been designed exclusively for use as set out in the chapter Product Description. Any other use will be deemed improper use. The manufacturer accepts no liability for any resulting damage. The user/operator bears sole responsibility for the risk.

### 2.2 Assembly and installation

Check the device for visible damage caused by transport or wrong storage. Do not start up any damaged device!

Assembly and installation of the product may only be done by skilled personnel (see chapter 1 Target group).

Mains voltage installations may only be carried out by a certified specialized company or authorized electricians.

The product should only be installed in locations which fulfil the environmental and technical conditions specified by the manufacturer.

The manufacturer is not liable for damage arising due to improper handling or incorrect installation.

### 2.3 Service and maintenance

Conversions and modifications to the product may only be done skilled personnel (see chapter 1 Target group). Any conversions and modifications performed by other persons will exempt us from any liability.

The elimination of faults and maintenance work may only be performed by skilled personnel (see chapter 1 Target group).

### 2.4 Accessories and spare parts

Accessories and spare parts must comply with the technical requirements of the manufacturer. This is guaranteed with dormakaba original accessories and spare parts.

## 2.5 Electrical hazards

Installations involving the mains power may only be executed by approved specialist companies or authorized skilled electricians.



### **WARNING**

#### **Live connections at the docking station in devices equipped with integrated power supply unit (BEX120 motherboard)**

Carelessness can result in an electric shock.

- ✓ The terminal housing may only be removed from the docking station by skilled personnel.
  - Before removing the terminal housing from the docking station, the device must be de-energized.
  - For permanently connected devices, the voltage must be switched off.
  - For devices supplied by a separable connection, the mains plug must be pulled.
  - Secure against being switched on again.
  - Check for absence of voltage.
- 

## 2.6 Handling of lithium batteries

To back up the real-time clock RTC, the device is equipped with a lithium manganese dioxide battery type CR2032.

The battery is located on the rear side of the terminal housing.



### **CAUTION**

#### **Lithium batteries can explode or burst explosively.**

Improper handling of lithium batteries may result in fires and explosions.

- Replace lithium batteries only with batteries of the same type.
  - Do not open, drill through or squash lithium batteries.
  - Do not burn lithium batteries or expose them to high temperatures.
  - Do not short-circuit lithium batteries.
  - Do not recharge lithium batteries.
-

## 2.7 ESD protective measures



### NOTICE

#### **Danger of damage to electronic components from electrostatic discharge.**

If electronic printed circuit boards and components are handled incorrectly, damage may occur which leads to their complete breakdown or sporadic faults.

- When installing and repairing the product, the general ESD protective measures are to be observed.
- When handling electronic components, wear the ESD wrist strap. Connect the end of the strap to an ESD socket or an unpainted, earthed metal component. This will safely and effectively conduct charges away from your body.
- Only handle the edges of printed circuit boards. Do not touch printed circuit boards or connecting plugs.
- Put removed components on an anti-static surface or in an anti-static shielding container.
- Avoid contact between printed circuit boards and clothing. The wrist strap only protects the printed circuit boards from static electricity on the body. Damage can still occur due to static electricity on clothing.
- Only transport and ship removed modules in ESD-shielding, conductive protective containers.

---

## 2.8 Environmental protection

It is prohibited to dispose of the device in your domestic waste.

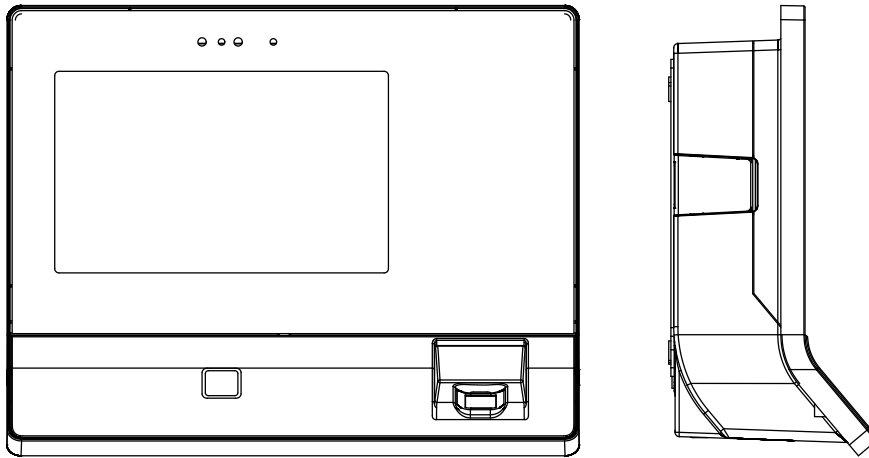
Used devices contain valuable materials that should be recycled. Properly dispose of used devices.

Dispose of consumed batteries in accordance with state and local regulations.

Carefully store the batteries to be disposed of to avoid short circuits, crushing or destruction of the battery casing.

# 3 Product description

## 3.1 Overview



The terminal 97 00 can be used for time and attendance and for providing customer-specific information and applications.

The operating system used of the terminal 97 00 is 'Android'. This allows applications, so-called apps, to be used flexibly at the terminal. The system can be expanded at any time to make it suitable for a wide range of tasks or also be supplemented by apps specifically developed for customer requirements.

For time and attendance, the B-Client HR30 terminal software is available. This terminal software makes the device compatible in terms of data records with its predecessor series B-web and B-net, allowing it to be connected to the host system via UDP using the communication software B-COMM. Connecting it to HTTP/HTTPS-based applications, such as b-comm ERP5, b+ or EACM, is also possible.

To display information, the terminal is equipped with a 7" colour display with a resolution of 800 x 480 pixels.

The device is equipped with a touch screen operated by touching the glass front.

The time data is recorded by a RFID proximity reader and/or a biometric CBM reader (depending on design)

A proximity sensor activates the device in the sleep or standby mode.

The terminal is equipped with an integrated microphone and an integrated loudspeaker and, optionally, with a camera system.

Communication takes place via Ethernet. Alternatively and optionally, communication can also take place via UMTS or WLAN.

Optionally, 2 outputs (relays) and 4 digital inputs are available for control functions.

## 3.2 Technical data

### 3.2.1 System

#### Operating system

- Android version 5.0.2 (Lollipop)

#### CPU

- BECO620 single-board CPU unit

#### Memory

- 2 GByte DDR3 RAM
- 8 GByte eMMC Flash
- Card slot for microSD or microSDHC card

Parameters and data records are retained without supply voltage.

#### RTC

The device has an integrated real-time clock. The function of the RTC is ensured for about 2 years by a lithium battery type CR2032 (on the rear side of the device) even without power supply of the device.

#### Display

- TFT LCD display module
- Size: 17.8 cm (7.0")
- Resolution: 800 x 480 pixels (16:9/WVGA)
- Colour depth: 24-bit (true colour)
- Backlit with white LED

#### Touch screen

- 7" PCAP touch screen over the complete display
- 10-finger multitouch support
- Resolution: 30 x 18 (x/y)
- Optional splinter protection

#### Biometric proximity sensor

- Optic proximity sensor for activating the biometric reader (option)
- Range 10-50 mm, sensitivity adjustable in 3 steps, can be switched off

#### Terminal proximity sensor

- Activates the device from the sleep or standby mode when approaching it within approx. 0.5 m

### 3.2.2 Multimedia

#### Camera (option)

- Integrated ¼ inch camera; resolution 5 megapixels

#### Audio

- Integrated microphone
- Integrated loudspeaker with power amplifier (3 W)
- 3.5 mm line-out jack

### 3.2.3 Interfaces/Communication

#### Ethernet interface

- IEEE802.3 compatible 10BASE-T/100BASE-TX /1000BASE-T Auto sensing, Auto MDIX
- IEEE802.1x security concept, EAP type MD5

#### WLAN (option)

- Mini PCIe WLAN adapter conforming to IEEE802.11 b/g/n (2.4 GHz)
- Encryption: WPA-PSK, WPA2-PSK and WEP security

#### Mobile radio (option)

- Mini PCIe HSPE module
- UMTS/HSPA: 850/900/1900/2100MHz
- GSM/GPRS/EDGE: 850/900/1800/1900 MHz

#### Serial interface RS-232 (option)

- Baud rates: 9600/19200/38400/57600/115200
- Hardware handshake (RTS/CTS)

#### USB

- 1 x USB 2.0 (host); 5 V/500 mA;  
for example for connecting an external reader

### 3.2.4 Reader

Depending on model, the device supports the following readers:

#### RFID reader

- MRD - LEGIC prime/advant, MIFARE Classic/DESFire
- HID - iCLASS SE, iCLASS, Prox, Prox II
- HITAG - EM4102, HITAG1, HITAG2

#### Biometric fingerprint reader

- Biometric module (CBM) with integrated database for fingerprints.
- Optionally as CBM-E with extended approvals (PIV-IQS with FBI certification and FIPS 201 approved template evaluation)
- Depending on model, the reader has a storage capacity for 500, 3000 or 5000 persons (2 fingers per person)

#### Swipe reader in substructure housing

- Magnetic stripe tracks 1, 2, 3
- Red light barcode
- Infrared barcode

### 3.2.5 Inputs/Outputs

#### 2 relay outputs (option)

- One potential-free switchover contact each
- Contact loading capacity: 30 V AC/DC; max. 2 A

#### 4 digital inputs (option)

- Galvanically isolated from system
- Input voltage: max. 30 V DC, min. -30 V DC



### 3.2.6 Power supply

For the power supply of the device, the following alternatives are possible:

- PoE (Power over Ethernet)
- Mains power input (docking station with BEX120 motherboard required)
- 24 V DC power supply (docking station with BEX121 motherboard required)

#### PoE (Power over Ethernet)

Power supply of the terminal via the 8-wire Ethernet cable (max. 100 m)

- In accordance with IEEE802.3at/type 1 class 0 (0,44-12,95 W)
- Supported feed processes: Spare pair feed and phantom feed

#### Mains voltage input

- Voltage range: 100–240 V AC
- Frequency: 50/60 Hz
- Current consumption: max. 200 mA

#### 24 V DC power supply

- Voltage range: 22–30 V DC
- Current consumption: max. 1 A



Only power supply units that fulfil the following requirements may be used for power supply: LPS (Limited Power Source) and SELV (Safety Extra Low Voltage) in accordance with IEC/EN/UL/CSA 60950-1 or ES1 and PS2 in accordance with IEC/EN/UL/CSA 62368-1.

### 3.2.7 Uninterruptible power supply

#### UPS510 (option)

The UPS510 consists of an electronic part with charging circuit and a rechargeable battery. The components are housed in a self-contained housing. Uninterruptible operation of the device in case of power supply failure is ensured by an NiMH battery with a capacity of 2100 mAh. The battery is fully charged after a charging time of 10 hours.

The UPS510 ensures operation in case of power supply failure for up to 30 minutes or approx. 200 bookings, whatever occurs first.

Condition: New battery, 100% charged, temperature 20 ° - 25 °C.

### 3.2.8 Ambient conditions

#### Ingress protection according to IEC 60529

- IP20 (devices with swipe reader)
- IP40 (devices with RFID and CBM readers)

Prerequisite: Cable entry from below using the enclosed grommets

#### Relative humidity

- 5% - 85%, non-condensing

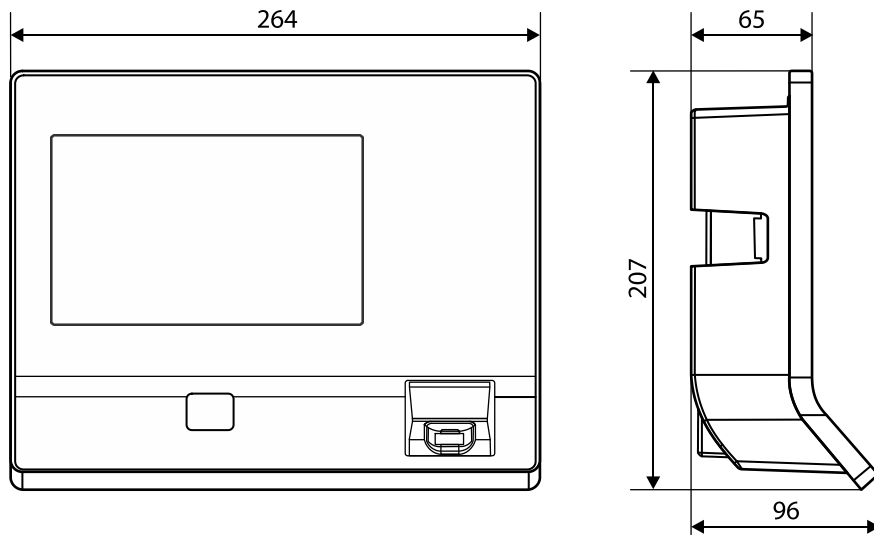
#### Ambient temperature

- -5 °C – +45 °C (operation without UPS)
- 0 °C – +40 °C (operation with UPS)
- -25 °C – +70 °C (storage without UPS)
- -20 °C – +45 °C (storage with UPS)

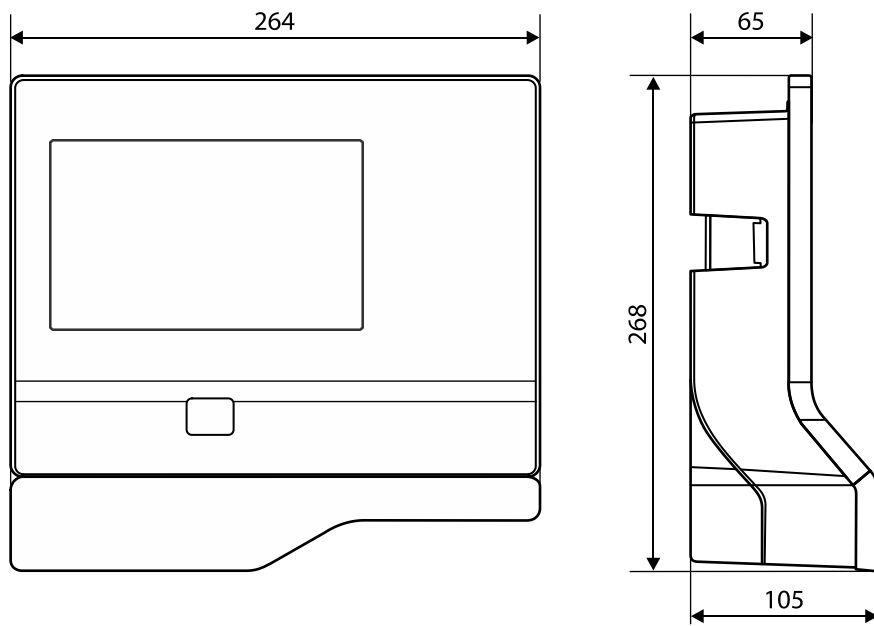
### 3.2.9 Dimensions

all dimensions are given in mm.

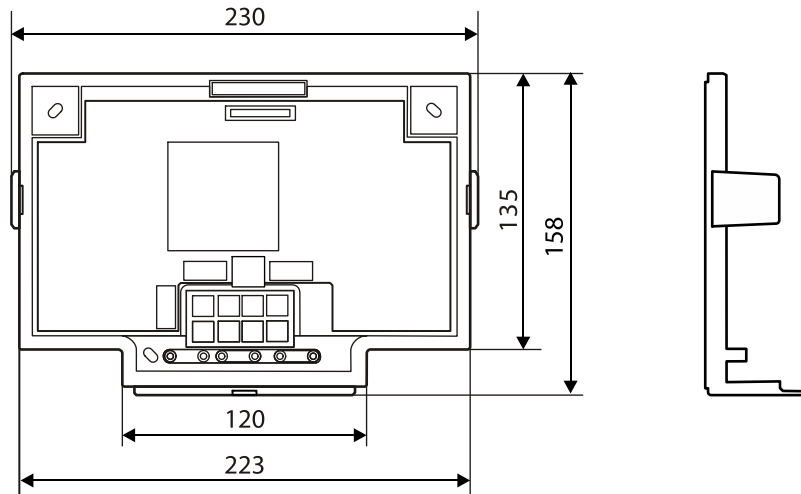
#### 3.2.9.1 Terminal housing



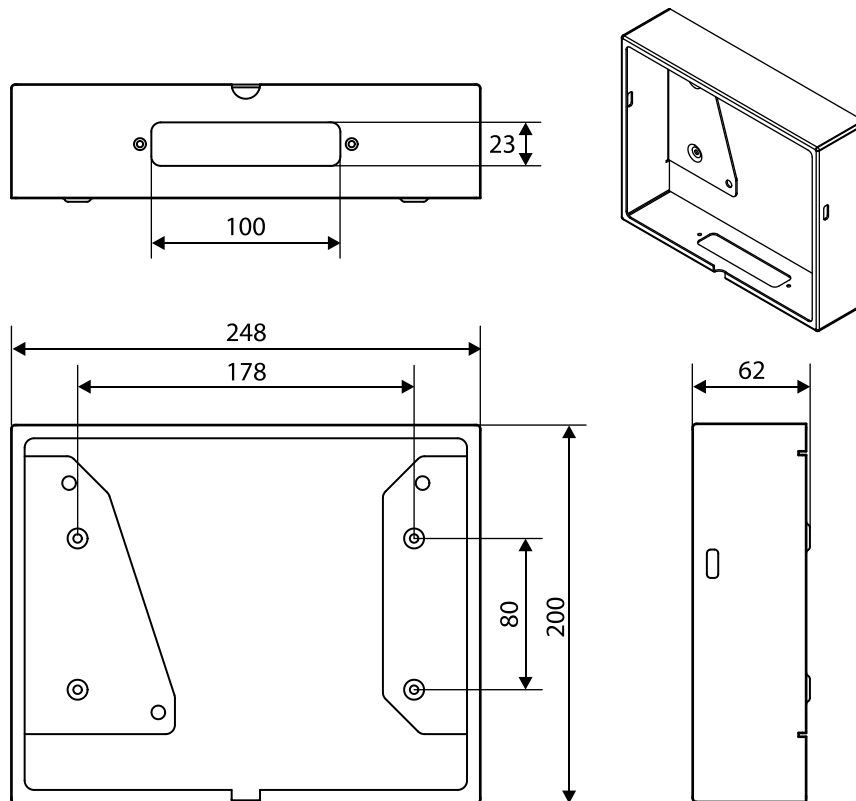
#### 3.2.9.2 Terminal with substructure housing



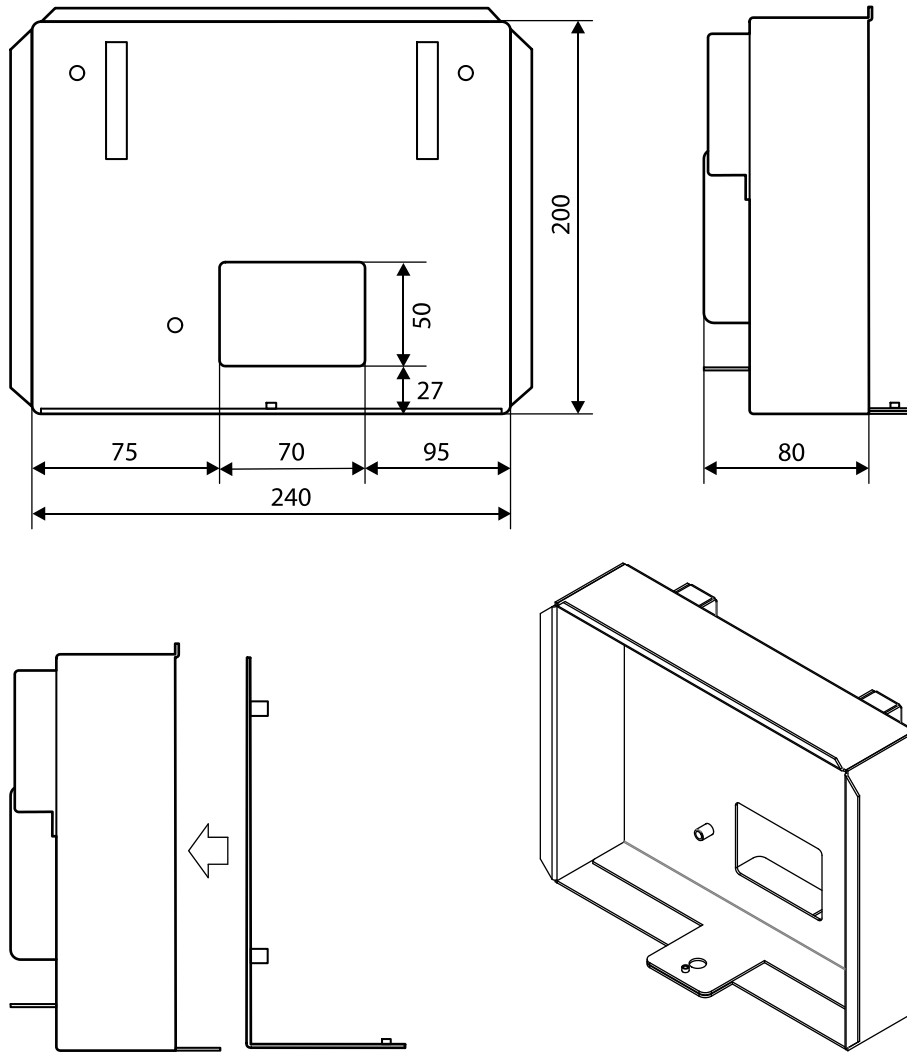
### 3.2.9.3 Docking station



### 3.2.9.4 Surface-mounted protective metal housing (accessories)



### 3.2.9.5 Flush-mounted housing (accessories)



### 3.3 Conformity



This product conforms to the following standards:

**EN 62368-1:2014**

**EN 55032:2015**

**EN 55024+A1:2015**

according to the provisions of the EU directives

**2014/35/EU** - Low Voltage Directive (LVD)

**2014/30/EU** - Electromagnetic Compatibility (EMC)

The RFID readers MRD (LEGIC & MIFARE) and HID iCLASS SE / Prox used in this product comply with the following standards

**EN 300330-2 V1.6.1**

**EN 301489-3 V1.6.1**

according to the provisions of the EU directive

**2014/53/EU** - Radio Equipment Directive (RED)

**RoHS** This device complies with the regulations of the Directive **2011/65/EU** of the European Parliament and of the Council of June 8, 2011, on the restriction of the use of certain hazardous substances in electrical and electronic equipment.



The original declaration of conformity can be downloaded in PDF format from [www.kaba.com/conformity](http://www.kaba.com/conformity).

In addition, the product also complies with the following standards

**UL62368-1:2014-12**

**CAN/CSA-22.2 No. 62368-1:2014-12**

**FCC Code of Federal Regulations,  
CFR 47, Part 15,  
Sections 15.107 and 15.109 (Class B)**

**IC Industry Canada Radio Standards Specifications  
ICES-003 Issue 5, Sections 5(a)(i) and 5(b)(i) Class B (ITE)**

The RFID readers MRD (LEGIC & MIFARE) and HID iCLASS SE / Prox used in this product comply with the following standards

**FCC Code of Federal Regulations,  
CFR 47, Part 15, Sections 15.207, 15.209, 15.215 and 15.225**

**IC Industry Canada Radio Standards Specifications  
RSS-GEN Issue 4, Sections 8.8, 8.9, 8.10 and  
RSS-210 Issue 8, Section A2.6 (Category I Equipment)**

**FCC § 15.19**

This device complies with Part 15 of the FCC rules. Operation is subject to the following two conditions: (1) This device may not cause harmful interference, and (2) this device must accept any interference received, including interference that may cause undesired operation.

**FCC § 15.21 (Warning Statement)**

[Any] changes or modifications not expressly approved by the party responsible for compliance could void the user's authority to operate the equipment.

**FCC § 15.105**

Note: This equipment has been tested and found to comply with the limits for a Class A digital device, pursuant to part 15 of the FCC Rules. These limits are designed to provide reasonable protection against harmful interference when the equipment is operated in a commercial environment. This equipment generates, uses, and can radiate radio frequency energy and, if not installed and used in accordance with the instruction manual, may cause harmful

interference to radio communications. Operation of this equipment in a residential area is likely to cause harmful interference in which case the user will be required to correct the interference at his own expense.

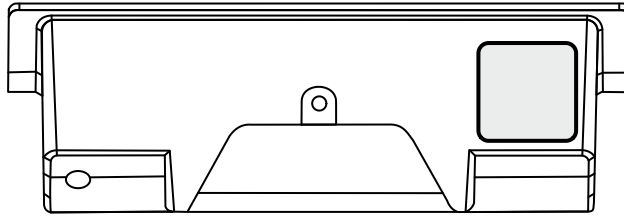
**Canada RSS-GEN**

This device complies with Industry Canada's licence-exempt RSSs. Operation is subject to the following two conditions: (1) This device may not cause interference; and (2) This device must accept any interference, including interference that may cause undesired operation of the device.

Le présent appareil est conforme aux CNR d'Industrie Canada applicables aux appareils radio exempts de licence. L'exploitation est autorisée aux deux conditions suivantes : 1) l'appareil ne doit pas produire de brouillage; 2) l'utilisateur de l'appareil doit accepter tout brouillage radioélectrique subi, même si le brouillage est susceptible d'en compromettre le fonctionnement.

## 3.4 Marking

The rating plate is located on the underside of the device.

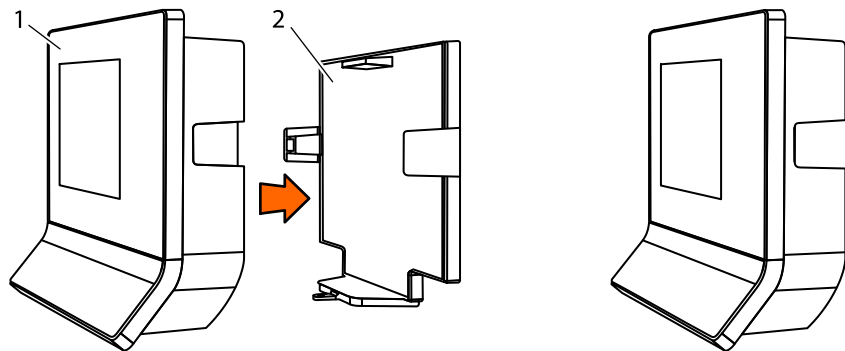


Information given on the rating plate:

- Designation of the device
- Item number
- Serial number
- Date of manufacture
- Connection data (supply voltage)
- CE marking
- WEEE marking according to DIN EN 50419

# 4 Construction and function

## 4.1 Device structure



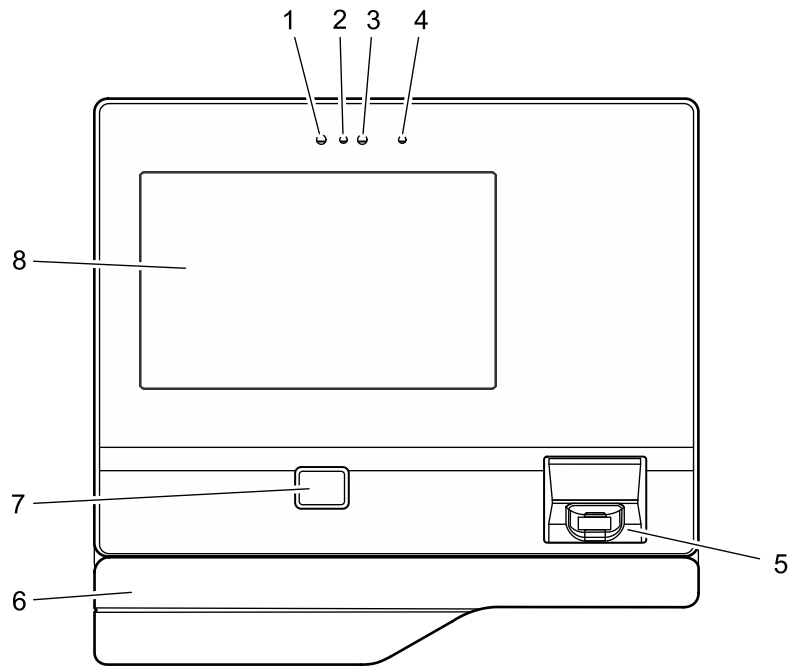
The device consists of the terminal housing (1) and the docking station (2).

The docking station is the wall mounting element of the device and, depending on the equipment, the docking station contains additional electronics.



### 4.1.1 Terminal housing - Front

The terminal housing is the core device. The terminal housing essentially contains the CPU, the TFT display with touch screen and up to two internal readers.

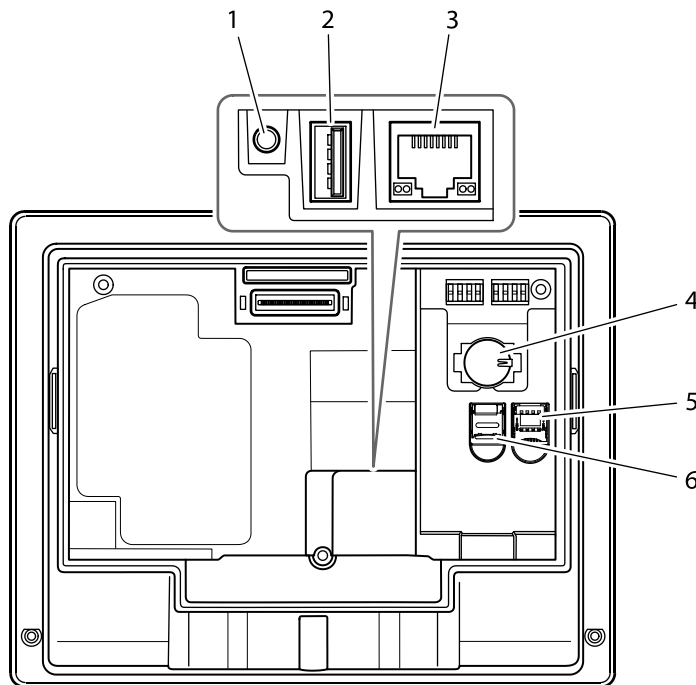


- 1 Integrated camera (option)
- 2 Camera flash (option)
- 3 Proximity sensor
- 4 Infrared LED for proximity sensor
- 5 Biometric reader (option)
- 6 Substructure housing with alternative RFID reader or swipe reader (option)
- 7 RFID reader (option)
- 8 TFT LCD display with PCAP touch screen

## 4.1.2 Terminal housing - Rear side

After removing the terminal housing from the docking station, the terminal rear side becomes accessible.

The rear side of the terminal housing contains, among other things, the connection area and card slots.

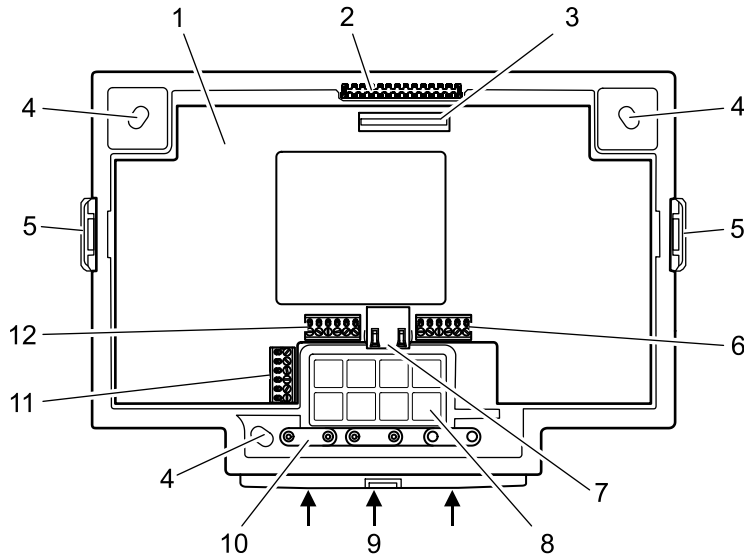


- 1 Audio line-out (3.5 mm jack)
- 2 USB port
- 3 Ethernet port (RJ45 socket)
- 4 CR2032 lithium battery for back-up of the RTC real-time clock
- 5 Card slot for a micro SIM card
- 6 Card slot for a microSD or microSDHC card

### 4.1.3 Docking station

The docking station is the wall mounting element of the device and is part of the standard equipment. The docking station is fastened to the wall. The terminal housing is placed on the docking station and secured.

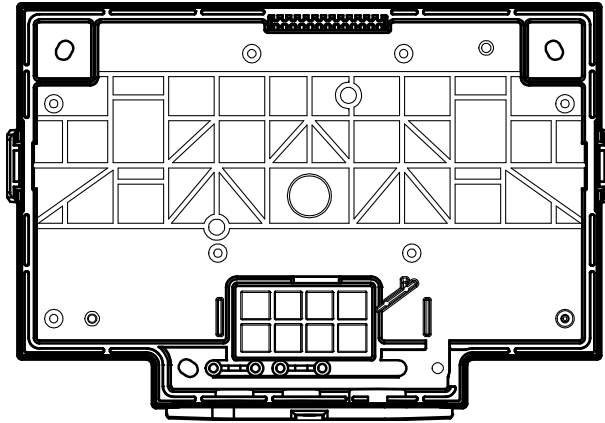
The docking station has cut-outs for entry of the installation cables. The installation cables can be entered from below and from the rear.



- 1 Motherboard (option)
- 2 Locking pin for the terminal housing
- 3 Motherboard/terminal housing contact
- 4 Long holes for wall mounting
- 5 Snap-in retaining tabs for the terminal housing
- 6 Connection terminal for the relay outputs
- 7 RJ45 connection for an external reader via RS-232
- 8 Cut-outs for cable entry from the rear
- 9 Cut-outs for cable entry from below
- 10 Cable clamps
- 11 Connection terminal for the additional interface (option)
- 12 Connection terminal for the inputs

#### 4.1.3.1 Docking station without motherboard

In its basic equipment, the docking station does not include any electronics. In this case, the docking station serves as pure wall mounting element.



Communication takes place via the Ethernet network. The device is supplied with power via PoE (Power over Ethernet). This is why only the network cable has to be connected to the terminal housing.

The network cable can be introduced into the docking station from the rear or from below.

### 4.1.3.2 Docking station with motherboard

Optionally, the docking station is equipped with a motherboard.

The motherboard is available in 3 different versions. The differences refer to the design of the power supply. Otherwise, the motherboards are identical.

- BEX122 motherboard - Power supply via PoE
- BEX121 motherboard - Power supply by 24 V DC
- BEX120 motherboard - Power supply by mains voltage

In general, the motherboard has the following hardware equipment:

#### **RS-232C interface**

The RS-232C interface can be used for connecting an external reader, for example a CCD barcode scanner.

It is connected to the RJ45 socket of the motherboard.

#### **Additional interface**

The motherboard has a slot for an optional interface module. The BEX301 - RS-232C interface or BEX302 - RS-485 interface can be used.

The interface can be used for customized applications. The additional interface is without use in the standard equipment.

The interface signals are connected via a 6-pin terminal on the motherboard.

#### **Outputs**

The motherboard has 2 relay outputs with changeover contacts. The relays can be used, for example, for activating door openers or signal generators.

#### **Inputs**

The motherboard has 4 digital inputs. The inputs can be used for a door opener key, access control or a customized application.

#### **Sabotage contact**

Devices whose docking station is equipped with a motherboard are provided with a sabotage contact.

The sabotage contact is activated when the terminal housing is disconnected from the docking station plus motherboard.

This causes the device to generate an appropriate alarm record. Prerequisite: Device supplied via PoE or via a UPS510. Not possible for devices supplied by the motherboard and not equipped with a UPS, since after removal of the terminal housing from the docking station the power supply is also disconnected.



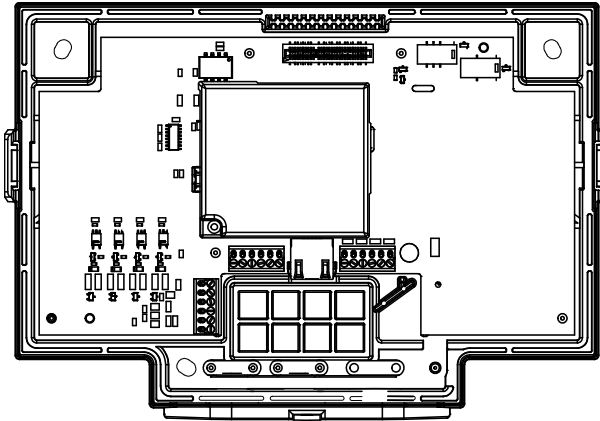
---

Whether hardware options are supported, depends in part on the terminal software used and the acquired software options!

---

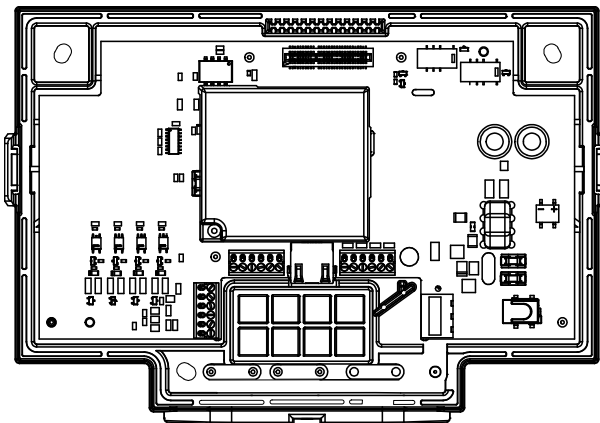
### 4.1.3.3 Docking station with BEX122 motherboard

The BEX122 motherboard is used in devices whose power supply takes place via PoE. The BEX122 motherboard is not equipped with an additional power supply unit nor with a power supply input.



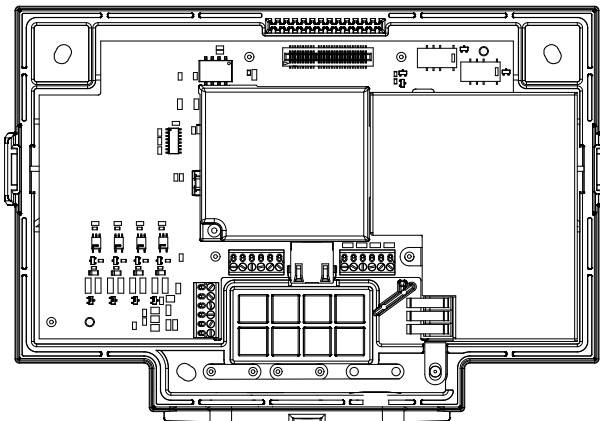
### 4.1.3.4 Docking station with BEX121 motherboard

For power supply of the device, the BEX121 motherboard has a 24 V DC input with over-voltage protection and transient filter. This motherboard is used when the device is supplied with 24 V DC.



### 4.1.3.5 Docking station with BEX120 motherboard

The BEX120 motherboard has a 100–240 V AC mains voltage input and an integrated limited power source power supply unit (LPS). This motherboard is used when the device is supplied with mains voltage.



### 4.1.3.6 Overview of the equipment

Equipment/Motherboard	none	BEX120	BEX121	BEX122
<b>Power supply</b>				
PoE	X			X
24 V DC			X	
Mains voltage		X		
<b>Interfaces</b>				
RS-232C interface		X	X	X
Additional interface		X	X	X
<b>Inputs/Outputs</b>				
2 relay outputs		X	X	X
4 digital inputs		X	X	X

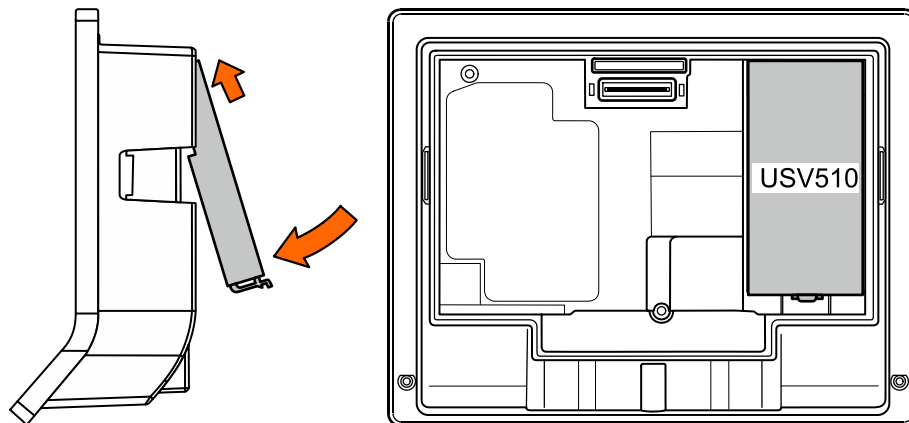
### 4.1.4 Interface assignment

COM port	Assignment
COM1	Internal reader (integrated into terminal housing)
COM2	Internal reader (integrated into terminal housing)
COM3	Additional interface (docking station motherboard)
COM4	RS-232 for external reader (docking station motherboard)

### 4.1.5 Uninterruptible power supply UPS510

The uninterruptible power supply UPS510 ensures operation in case of short-term power supply failure.

The UPS510 is snapped into place on the rear side of the terminal housing.



The UPS510 can be retrofitted or replaced at any time.

## 4.2 Product versions

### 4.2.1 Basic equipment

#### **Terminal housing**

- 7" WVGA display
- 7" touch screen
- Proximity sensor
- Ethernet 10/100/1000
- Power supply via PoE (Power over Ethernet)

#### **Docking station**

- Docking station as wall mounting element without electronics

### 4.2.2 Optional equipment (not retrofittable)

#### **Multimedia**

- Camera

#### **Communication**

- WLAN
- Mobile radio

#### **Reader integrated into terminal housing**

- RFID reader (MRD, HID, HITAG)
- Biometric fingerprint reader (CBM/CBM-E for 500, 3000 or 5000 persons)

#### **Reader in additional substructure housing**

- Magnetic card reader
- Barcode swipe reader
- Other RFID readers

### 4.2.3 Optional equipment (retrofittable)

#### **Protection in case of power supply failure**

- Uninterruptible power supply UPS510

#### **Docking station with motherboard**

BEX120, BEX121 and BEX122 motherboards:

- RS-232C interface for connecting an external reader
- Adapter for additional interface
- 2 relay outputs
- 4 digital inputs

BEX121 motherboard:

- Power supply input for external 24 V DC

BEX120 motherboard:

- Power supply connection for mains voltage

### 4.2.4 Accessories

- Elastic protective frame
- Surface-mounted protective metal housing
- Flush-mounted housing



## 4.3 Terminal software

### 4.3.1 BaseApp

The BaseApp is the user interface of the android-based terminal. The BaseApp is part of the basic equipment and forms the platform for all applications (apps) used on the terminal.

The BaseApp essentially performs the following functions:

- Protection of the operating system from unauthorized access (system isolation). Only controlled access to the android operating system is possible.
- Organization and start-up of applications (apps).
- Provision of functions and interfaces for access to the hardware.
- Provision of service functions via a web interface (service interface) for commissioning and maintenance of the device.

### 4.3.2 Kaba test program

The Kaba test program application (TP) has already been installed on the terminal ex works.

The test program app offers the following functions:

- Adjustment of various system settings locally to the device
- Retrieval of system information
- Testing of individual system components

### 4.3.3 B-Client HR30 terminal software

The B-Client HR30 terminal software allows the device to be used as time and attendance terminal.

The B-Client HR30 terminal software makes the device compatible in terms of data records with terminals of the B-web and B-net series, allowing it to be connected to the host system via the communication software B-COMM.

### 4.3.4 B-Client HR30 software options

The usable range of functions of the device is given by the options activated in the 'sop.ini' licence file by means of the corresponding licence key.

Some software options require an appropriate hardware equipment.

Upon purchasing an additional software option later on, the existing licence file must be replaced with the new extended licence file.

The **sop.ini** is located in the following directory  
**/data/data/com.kaba.apps.hr/files/init.**

From the parameters, you can determine which functions are active.

The relevant parameters are located in the [BClientHR30] section.

Each parameter has the value true or false.

#### 4.3.4.1 Licence for the B-Client HR30 terminal software.

Entry in the licence file:

```
[BClientHR30]
BClientHR30Enabled=true
```

#### 4.3.4.2 CardLink

Entry in the licence file:

```
CardLinkEnabled=true
```

Enables CardLink update and CardLink validation in connection with LEGIC or MIFARE readers.

#### 4.3.4.3 Data encryption

Entry in the licence file:

```
EncryptionEnabled=true
```

Data encryption via Ethernet UDP in connection with the communication software B-COMM.

Data encryption via HTTPS with XML communication.

#### 4.3.4.4 Door control

Entry in the licence file:

```
AccessControlEnabled=true
```

Hardware prerequisite: Docking station with motherboard

Enables:

- Use of 4 inputs for door surveillance and door opening.
- Use of 2 relay outputs for door opening or break signal control
- Check for time profiles:
- PIN check.
- Check for double access.

#### 4.3.4.5 LocalEnrollment

Entry in the licence file:

```
LocalEnrollmentEnabled=true
```

Enables the registration of new fingerprints via the biometric reader locally at the terminal.

#### 4.3.4.6 Memory options

Entry in the licence file (possible values: 0, 1, 2, 3, 4):

```
BufferConfiguration=
```

The following overview shows the maximum possible number of data records in the respective memory option.

Record type/Option	0	1	2	3	4*	4
Master records	200	1,000	2,000	10,000	30,000	50,000
Registration records	10,000	10,000	10,000	10,000	30,000	50,000
Update records*	400	2,000	4,000	20,000	60,000	-
Validation records*	200	1,000	2,000	10,000	30,000	-

\*in connection with CardLink

#### 4.3.4.7 Starting native apps

Entry in the licence file:

```
NativeAppEnabled=true
```

Enables the start of native apps from B-Client HR30.

#### 4.3.4.8 Partner application

Entry in the licence file:

```
PartnerinterfaceEnabled=true
```

Supports partner applications. Partner application is called from B-Client HR30 with data transfer.

#### 4.3.4.9 Browser start

Entry in the licence file:

```
BrowserEnabled=true
```

Enables the browser to be started from B-Client HR30. Transferred data can be displayed or web sites can be loaded.

#### 4.3.4.10 Replacement terminal

Entry in the licence file:

```
ReplacementEnabled=true
```

Identifies a replacement terminal.

In connection with the communication software B-COMM, the terminal can be easily and comfortably replaced with a device containing the same hardware when servicing is required. The licence file of the replaced device is automatically adapted during commissioning and installed in the replacement terminal.

## 4.4 System connection

This chapter describes the principle of host host connection and applies exclusively to devices with B-Client terminal software. For detailed descriptions, please refer to the reference manual of the terminal software.

### 4.4.1 Communication principle

Communication between the terminal 97 00 and a superior host computer takes place via an Ethernet network as standard.

Data exchange between the B-Client HR30 terminal software and the customer application takes place via a communication software. The communication software transmits the data records collected by the terminals to files or transmits them to the customer application via a defined interface.

### 4.4.2 Parametrization

The varied functions of the terminal depend in particular on the set parameters. Parametrization allows extensive adaptation to a wide range of applications. During parametrization the currently valid parameters are changed and stored in the memory of the terminal. The required parameters are provided by the customer application and transmitted to the terminal in the form of parameter records.

### 4.4.3 Authorizations

Information relevant to authorizations are provided by the customer application in the form of personnel master records.

All information relating to a certain badge number or group is stored in the master record. The master record contains information on authorizations, time profiles, person-related display texts and the PIN number.

Master records can be stored in the terminal. This allows the terminal itself to decide whether a booking is authorized. Whether a booking is authorized, can also be inquired by the host in the 'online' operating state. In this case, no master records are required in the terminal. Master records can be transmitted to the terminal at any time, resulting in the current master record being overwritten. Individual master records can be deleted by the host. Likewise, master records can be requested by the host.

The number of master records that can be loaded to the terminal depends on the device hardware and on the licensed memory configuration.

### 4.4.4 Data from the terminal

After a booking, the terminal generates a registration record. The registration records contains the information who has booked when at which terminal by pressing which function key.

At what time this registration record will be transmitted to the host computer, depends on the operating state of the terminal.

Certain states and events result in the generation of alarm records and status records.

## 4.4.5 Operating states

### 4.4.5.1 Online

After a booking, the terminal carries out the parametrized tests and enters the test result in the registration data record as error detection. The registration data record is transmitted to the host. Following this, the terminal expects a logical booking response from the host. Along with it, the host communicates to the terminal the decision whether or not the booking is authorized.

If the terminal does not receive a logical booking response from the host, it will switch to the offline operating state and decide itself based on the parametrized tests whether the booking is authorized. As soon as the host can be reached again, all data records saved in the meantime in offline will be transmitted to the host. Then the terminal automatically switches again to the online operating state.

### 4.4.5.2 Offline

After a booking, the terminal carries out the parametrized tests and decides immediately whether or not the booking was authorized by sending an internal booking response. Depending on the parametrization, registration records are stored in the terminal. As soon as the host can be reached, all data records saved since the last transmission will be transmitted to the host.

### 4.4.5.3 Autonomous

After a booking, the terminal carries out the parametrized tests and decides immediately whether or not the booking was authorized by sending an internal booking response. Depending on the parametrization, registration records of authorized and unauthorized bookings are stored in the terminal.

If the host can be reached, any error and alarm records that may be available will be transmitted to the host.

The saved registration data records are transmitted to the host on request together with a special data record.

## 4.4.6 Devices with biometric reader

### **Biometric software**

When communicating via B-COMM, the program package B-COMM - Biometrics option is required for managing and distributing the finger templates.

Communication with the Finger Template Control Service (FTCS) of the biometrics software takes place via Ethernet/UDP and a separate channel.

When connected to HTTP/HTTPS-based applications, the distribution of the finger templates also takes place via the HTTP/HTTPS host channel.

### **Standalone mode**

Alternatively, operation without a biometric host is also possible. In this 'Standalone mode', all fingerprints of persons must be registered by the reader of the terminal. In this case, the finger templates are only saved in the reader's internal database. If they get lost, all persons have to be registered again at the terminal.

This is why the Standalone mode without biometric software is only recommended for very small solutions (max. 20 persons).

## 4.5 Authentication types

Devices equipped with biometric reader can be operated in 5 authentication modes. Modes 2 to 5 require an additional RFID reader.

### 4.5.1 Mode 1: Identification

Mode 1 is the typical biometric identification

The biometric features of all persons authorized to book are registered by an enrollment station and distributed to the individual readers.

During a booking the fingerprint of the person is registered. The biometric features are compared to the data records. If a matching reference data record is found, the person has been identified. The associated ID is sent in the registration data record to the superior access control manager.

### 4.5.2 Mode 2: Verification

Mode 2 is a verification based on time profiles. The person's biometric data is stored on the RFID badge, which is used for verification.

First, a person books using the RFID badge. The ID segment and the biometric segment are read. The master record and biometric time profile check shows whether a biometric verification is required.

If a verification is required, the biometric reader is activated. This is the request for the person to put on the finger. The registered biometric features are now compared to the data saved in the biometric segment. If the features of the fingerprint are identical, the booking is valid.

### 4.5.3 Mode 3: Verification (ID)

Mode 3 is a verification based on time profiles of two identification features. The ID of the RFID badge is compared to the ID of biometric identification.

First, a person books using the RFID badge. The ID segment is read.

The master record and biometric time profile check shows whether an additional biometric identification is carried out.

If a biometric identification is required, the biometric reader is activated. This is the request for the person to put on the finger. The biometric features are compared to the data records of the reader's internal database. If the matching reference data record is found, the two IDs are compared. If the IDs are identical, the booking is valid.

### 4.5.4 Mode 4: Combination of modes 1 and 2

Mode 4 allows parallel use of biometric identification and biometric verification based on time profiles. A maximum of 5000 persons can be authenticated per identification. If this capacity is insufficient, further persons can be authenticated by verification.

### 4.5.5 Mode 5: Combination of modes 2 and 3

Mode 5 allows parallel use of verification based on time profiles and verification (ID). This allows parallel operation of RFID badges with and without biometric segment.

## 4.5.6 Alternative types of authentication

For people with less defined biometric characteristics an alternative way of authentication can be enabled. This is made possible by storing a biometric identification in the personnel master record, see reference manual of the terminal software.

The following options are possible instead of biometric identification:

- Entry of the ID on the keypad (only mode 1)
- Entry of the ID via the RFID badge

## 4.5.7 Additional PIN entry

A PIN entry via the keypad can be requested via the time profile for all types of authentication (see reference manual of the B-Client terminal software).



In order to increase security, an additional PIN should be requested, following the alternative entry of the ID number.

---

## 4.6 CardLink

### Principle

Mechatronic CardLink components, i.e. passage ways without connection to a physical network, are generated and configured together with the online components in a central system. All authorizations can be managed and assigned in a common access profile.

The access rights are stored on the user medium.

Each user medium must be validated at regular intervals at an online reader. If certain conditions (entry-access authorization, participation in CardLink) are met, a type of validity stamp is written onto the medium. Access is only granted on the CardLink component (4) if the corresponding entry-access authorizations are available and the validation is correct. Thanks to this mechanism, a user medium registered as lost is either actively locked (withdrawal of the validation) or loses its authorization automatically after validation expires.

### Commissioning of the CardLink components

CardLink components can be digital locking cylinders (actuators), cabinet locks, registration units/readers/terminals, etc.

The Kaba programmer is the link between the system and the standalone component.

The Kaba programmer is used to transmit all basic parametrizations manually to the CardLink components: Generally, the following initialization data are transferred to the CardLink component: Management area number, door number, time zones, validity period of the validation and component name.

### Writing authorization profiles to a badge for the first time

With the help of the software, the authorization profiles for employees, visitors, outside companies, etc. are defined and written once to a segment of the badge, for example using an authorization reader.

### Validation function

During validation a new 'time stamp' is stored on the badge, while the authorization profiles remain unchanged. Within the time stamp, the badge user can enter certain areas and pass through doors in accordance with his authorization profiles. The 'time stamp' can be written on the badge using an authorization reader or a CardLink-capable terminal. After the time window has expired, the authorization becomes void.

### Update function

An update is carried out whenever authorization profiles on a badge undergo changes. This is the case, for example, when an employee changes in-house to a new area of responsibility and therefore receives other authorizations for doors, rooms, etc. Upon holding her badge in front of the time and attendance terminal and pressing the update key, the new authorization profiles will be written to the badge. The employee can now move freely in the building inside the enabled areas and within the stored time zones.

### Media

The following badge technologies are supported:

CardLink Version 1.0	LEGIC prime
CardLink Version 1.1	LEGIC advant, MIFARE Classic and MIFARE DESFire



# 5 Installation

## 5.1 Installation conditions

### 5.1.1 General

An accurate installation of all components is a basic requirement for a properly functioning device. The following installation instructions must be adhered to.

### 5.1.2 Installation site

#### **Distances**

RFID fields which are close together can influence one another, thereby reducing the reading and writing distances. An all-round clearance of 20 cm must be maintained between two devices with RFID readers.

#### **Mounting height**

Recommended mounting height 140 cm to the top edge of the terminal.

#### **Electromagnetic fields**

Do not install the device in the vicinity of strong electromagnetic fields caused, for example, by switched-mode power supplies, electric power lines, phase control etc. Electromagnetic fields can adversely affect read performance or cause malfunctions, especially in the case of contactless RFID readers.

Electromagnetic fields may impair the touch screen functions.

#### **Sun irradiation**

Direct sun irradiation leads to reflections within the display area (resulting in poor readability of the display.)

Direct sun irradiation may impair the function of the biometric reader.

Direct sun irradiation may impair the function of the proximity sensors.

Avoid installation at places with direct sun irradiation.

### 5.1.3 Connections

The following connectors must have been prepared at the installation site of the terminal:

- Power supply for the terminal
- Ethernet network (in case of host communication via Ethernet)
- Signal lines to inputs/outputs (optional).

## 5.1.4 Power supply

### 5.1.4.1 PoE power supply

For PoE power supply [▶ 3.2.6], a PSE (Power Sourcing Equipment) must be provided on the network cable for power feeding.

Possible methods for feeding the power supply via the PSE:

- End span (direct supply, e.g. via PoE switch)
- Midspan (supply via intermediate sources, e.g. PoE injector)

### 5.1.4.2 24 V DC power supply

Devices with docking station equipped with BEX121 motherboard. It has a 24 V DC input with overvoltage protection and transient filter for supplying power to the terminal.



Only power supply units that fulfil the following requirements may be used for power supply: LPS (Limited Power Source) and SELV (Safety Extra Low Voltage) in accordance with IEC/EN/UL/CSA 60950-1 or ES1 and PS2 in accordance with IEC/EN/UL/CSA 62368-1.

### 5.1.4.3 Mains voltage supply

Only devices with docking station equipped with BEX120 motherboard. It has a 100-240 V AC mains voltage input and an integrated limited power source power supply unit (LPS).

The mains voltage supply can be designed as stationary wiring or as separable connection. For the terminal, a separate fuse-protected circuit must be provided. If the mains voltage supply is designed as a separable connection, the following applies:

- The mains socket with grounded contact must be in the immediate vicinity of the device.
- The mains plug must be freely accessible.

If the mains voltage supply is designed as stationary wiring, the following applies:

- An easily accessible circuit breaker must be provided.
- The circuit breaker (LS) must be designed for max. 10 A.
- The electrical system of the building must be equipped with an all-pole supply circuit switch.

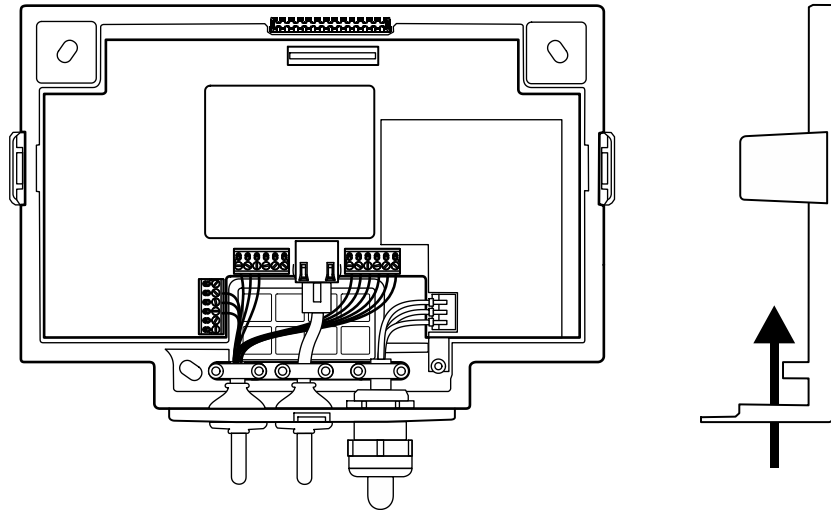
### 5.1.5 Cable entry

The installation cables can be inserted into the device housing from below or from behind. Cut-outs for inserting the installation cables are available in the docking station.

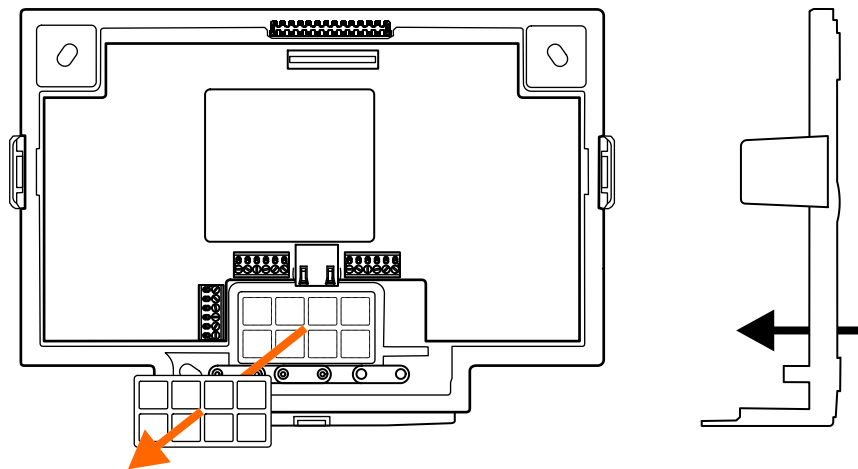


The ingress protection to IEC 60529 specified in the technical data is only guaranteed if the cable is introduced from below by means of the delivered cable grommets or cable glands.

#### Cable entry from below



#### Cable entry from the rear



If the cable entry is made from the rear side of the device, the mounting position of the terminal must be defined at an early stage and discussed with the cable installer.

## 5.2 Installation lines

### 5.2.1 24 V DC power supply

A 3-wire cable is required for supplying power to the terminal (+24 V/0 V/ground wire).



The housing of the terminal must be connected to earth. Therefore, the ground wire must be carried from the power supply to the terminal.

The terminal is designed for the following max. wire sizes:

Diameter ( $\varnothing$ ): 2.7 mm

Cross-section: 2.5 mm<sup>2</sup>

AWG number: 12



In case of long lines, the voltage drop due to line resistance will have to be taken into account.

### 5.2.2 Mains voltage supply

A 3-wire cable is required for the mains voltage supply (phase/zero/protective conductor). The terminal is designed for the following max. wire sizes:

Diameter ( $\varnothing$ ): 2.7 mm

Cross-section: 2.5 mm<sup>2</sup>

AWG number: 12

### 5.2.3 Ethernet

Network cable with RJ45 plug, line requirement: CAT.5 S-UTP 4 x 2 AWG 24 oder AWG 22 (according to EIA/TIA568) or higher quality.

### 5.2.4 Inputs/Outputs

The terminals for the signal lines are designed for the following max. wire sizes:

Diameter ( $\varnothing$ ): 0.3 – 1.4 mm

Cross-section: 0.08 – 1 mm<sup>2</sup>

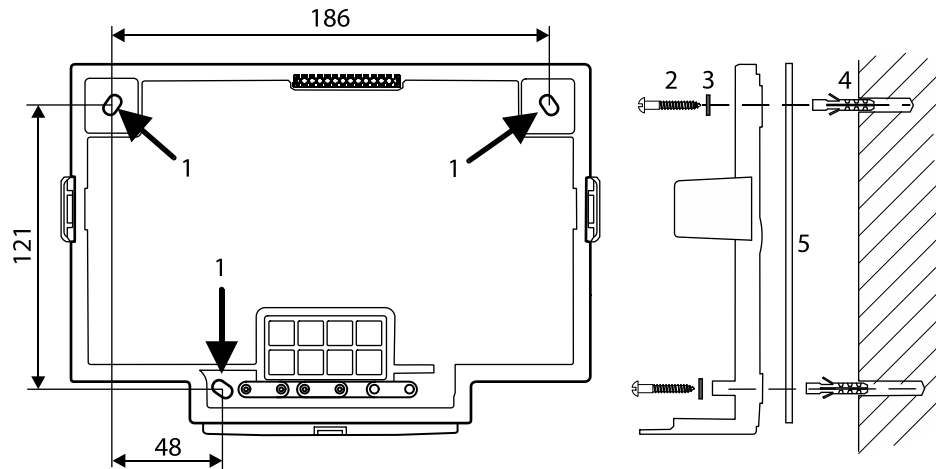
AWG number: 28 - 16

Recommended cable:

CAT.5 S-UTP 4 x 2 AWG 24 or AWG 22 (according to EIA/TIA568) or higher.

### 5.3 Fastening the docking station

First make the required cut-outs for introducing the installation line(s). Introduce the installation lines from below or from the rear.



Fastening the docking station, dimensions in mm.

The docking station is mounted directly to the wall using screws/dowels. There are three oval fastening holes (1) in the docking station for fastening.

Fastening material (included in the delivery):

- 3 wood screws  $\varnothing$  4.5 x 35 (2)
- 3 washers (3)
- 3 dowels 6 mm (4)

The washers (3) cover the fastening hole (1) completely after tightening the screw. The delivered washers must also be used if you use other fastening screws (depending on the mounting surface).

In case of soft mounting surfaces, make sure that the housing is not pressed into the surface when mounting it.

The unevenness of the mounting surface may not exceed 0.5 mm. The unevenness of the mounting surface may have to be compensated for or adjusted by means of suitable measures (e.g. washers).



If the mounting surface is not even, we recommend using the mounting plate (5). It is placed between the wall and the docking station. The relatively rigid mounting plate avoids mechanical distortion of the docking station.

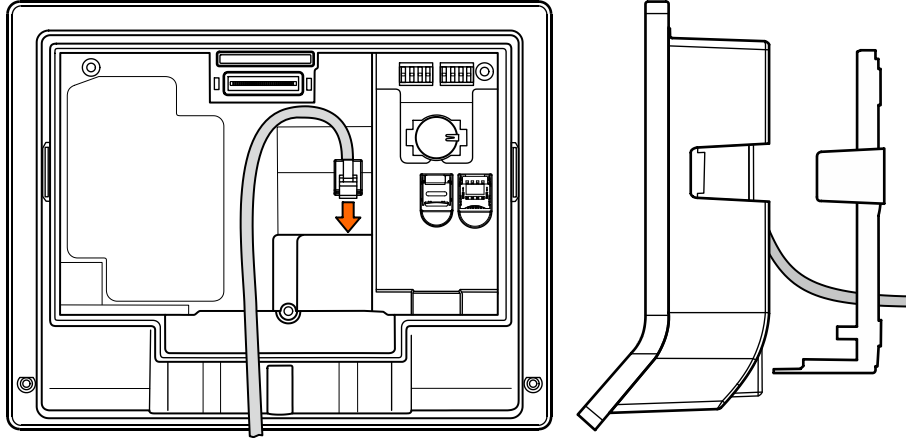
The mounting plate is available as accessory under the order number 04043450.

## 5.4 Connections



Establish connections in de-energized state only!

### 5.4.1 Connecting the network cable



The Ethernet connection (RJ45 socket) is located on the rear of the terminal housing.

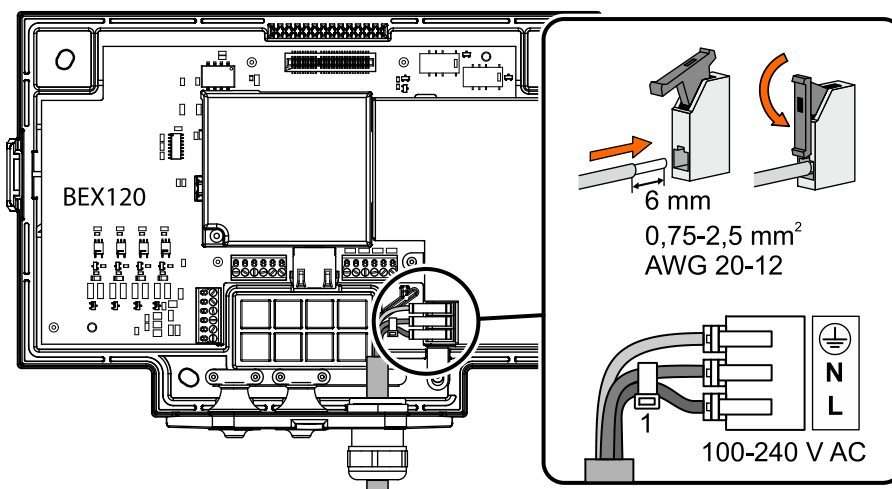
The network cable should protrude approx. 15 to max. 18 cm from the wall so that the distance between docking station and terminal housing is enough to easily plug in the network connector.

The network cable is then stored in a loop in the pocket on the rear of the terminal housing.

### 5.4.2 Connecting the mains voltage

Only devices with BEX120 motherboard!

- ✓ Installations at the mains voltage may only be executed by a trained electrical specialist.
  - ✓ The mains line is de-energized.
1. Connect the mains line to the terminal.
  2. Secure the N and L wires with a cable binder (1).

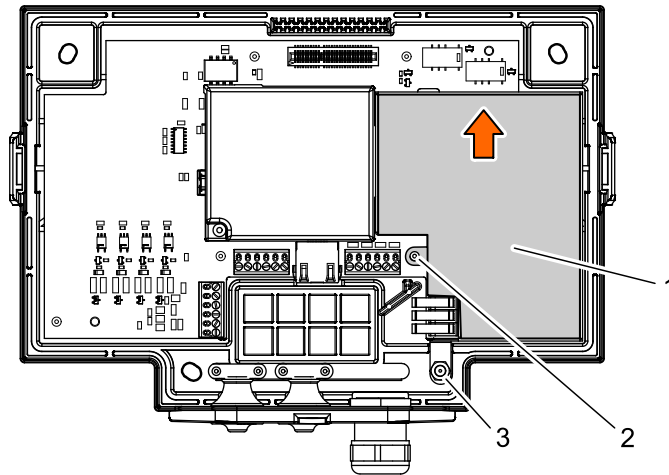


### 5.4.3 Mains fuses

Only devices with BEX120 motherboard!

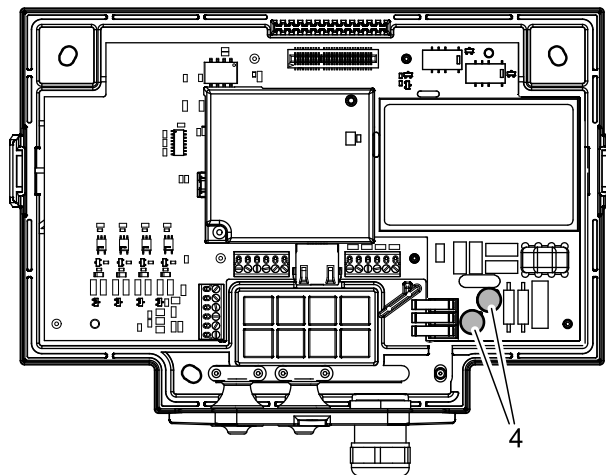
The mains fuses are located under the sheet metal cover (1). Remove the cover in the following way:

- ✓ The mains power supply is off.
- 1. Unscrew the screw (2), TORX T10.
- 2. Unscrew the M4 nut (3) using a wrench with size 7.
- 3. Push the sheet metal cover (1) slightly upwards (unhinge it) and remove it



The mains voltage is secured with fuses on 2 poles.

The fuses (4) are of the plug-in type and can be easily replaced.



4 = 2x subminiature fuse (radial) T 1.0 A/250 V, order number 04037221



The fuses may only be replaced with fuses of the same type.

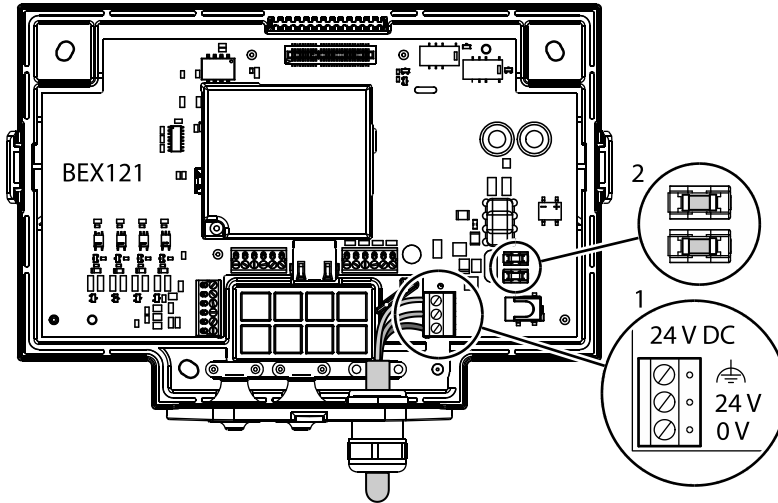
## 5.4.4 Connecting 24 V DC power supply

Only devices with BEX121 motherboard!



For the power supply of the device, use only power supply units that fulfil the requirements to EN 60950-1:2006 as limited power source.

Connect the 24 V DC power supply and the ground wire to the terminal (1).



### Fuses for the 24 V DC power supply

The 24 V DC power supply is secured with fuses on 2 poles. The fuses (2) are of the plug-in type and can be easily replaced.

2 = SMD fuse T 1.0 A/125 V, order number 04036925



The fuses may only be replaced with fuses of the same type.

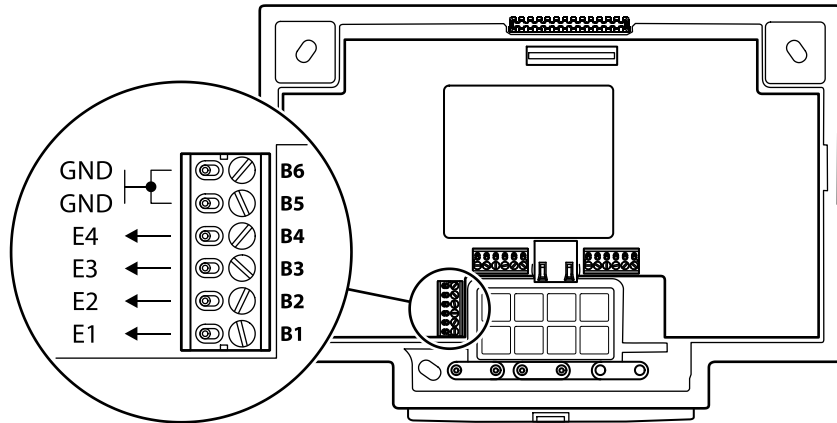


### 5.4.5 Digital inputs

Only devices with optional motherboard and B-Client HR30 'Door control' software option.

4 digital inputs are available. The inputs can be used for a door opener key, access control or a customized application.

Assignment of inputs E1 to E4 depends on the configuration.



The inputs can be controlled by a simple switch or a relay contact. The corresponding input is connected to common ground. An open input is recognized as 'high' due to the internal pull-up resistor. Ground potential equals 'low'.

**Level**

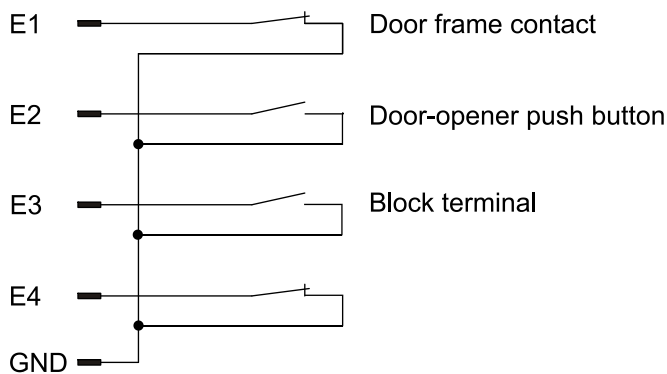
High = + 4.5 V to + 30 V or open

Low = - 30 V to + 1.5 V

**Assignment/switching conditions (B-Client HR30)**

Input	Function	Open/High	Ground/Low
E1	Door frame contact	Door open	Idle state
E2	Door-opener push button	Idle state	Door opens (relay 2)
E3	Block terminal	Idle state	Terminal blocks
E4	-	-	-

**Principle**



## 5.4.6 Relay outputs

Only devices with optional motherboard and B-Client HR30 'Door control' software option.

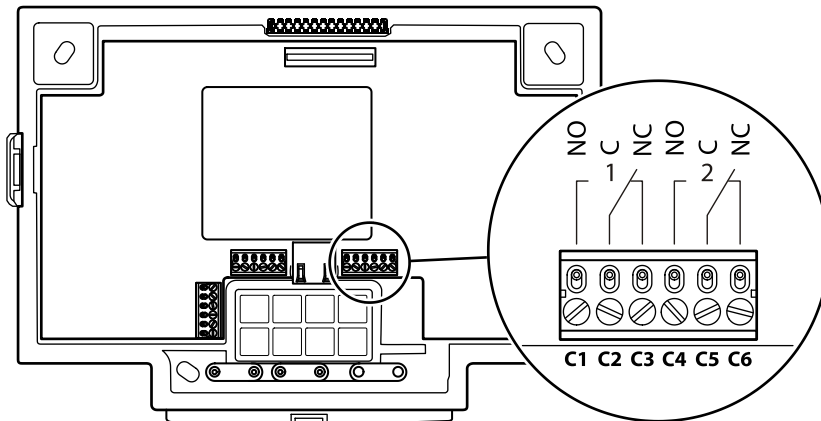
Two potential-free relay outputs with one change-over contact each are available.



Contact loading capacity: 30 V AC/DC; max. 2 A



The function and assignment of relays 1 + 2 depend on the settings of the terminal software.



For inductive loads that are supplied with direct current, the included diode (a freewheeling diode) must be connected parallel to the load to suppress interference. Make sure that the diode is connected in reverse-bias direction. When using an AC voltage power supply, the included varistor type S10K30 must be connected in parallel.

The diode or varistor must be connected directly to the load and must **not** be fitted in the terminal.

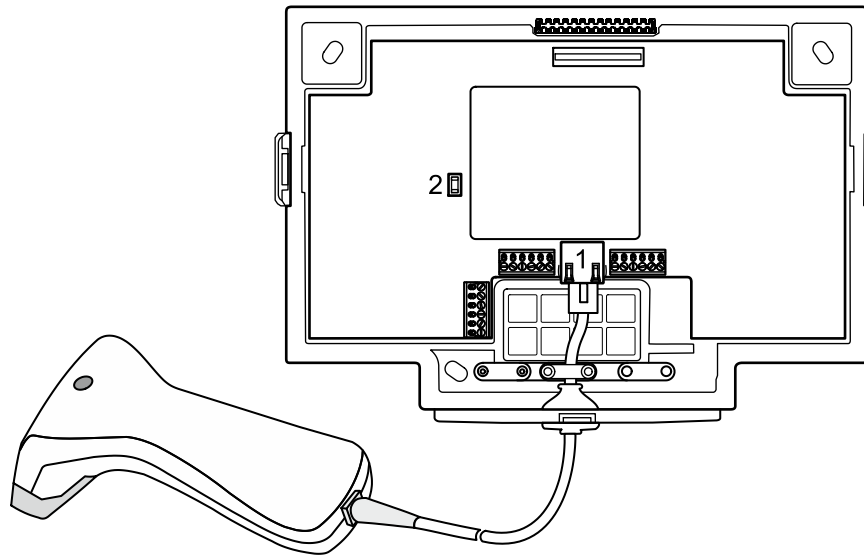
### 5.4.7 Connecting an external reader

Only devices with optional motherboard!

An additional external reader, for example a CCD barcode scanner, can be connected to the device.

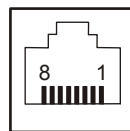
The reader can be connected to the COM4 port of the device. Further hardware and software options are not required.

To ensure correct function, the reader must be configured and activated via the Service interface [▶ 6.5] or the Kaba test program [▶ 6.4.2].



- 1 RJ45 connection for reader with RS-232C levels.  
The barcode scanners provided by Kaba as accessories work with RS232C levels.
- 2 Fuse for the power supply of the external reader,  
SMD fuse T 375 mA, order number 04107874

#### Assignment of the RJ45 socket (1)



1	5 V DC; max. 300 mA	5	TxD (of the reader)
2	-	6	-
3	GND	7	-
4	-	8	-

Hardware handshake is not supported, no transmission delay for scanner data, communication parameters: 9600, 8, N, 1 (can be set).

#### Power supply for the reader

The power supply of the external reader can take place via the 5 V DC of the RJ45 socket. The maximum allowed current is 300 mA.

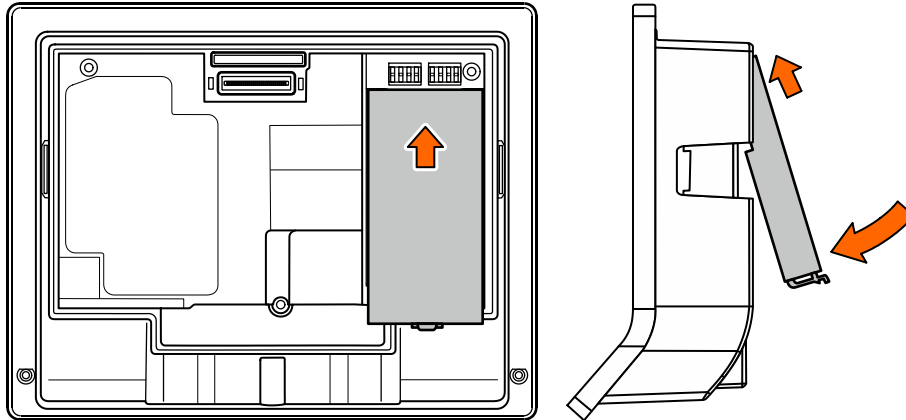
## 5.5 Uninterruptible power supply UPS510

The device may optionally be equipped with the uninterruptible power supply UPS510. The UPS510 is snapped into place on the rear side of the terminal housing. The UPS510 can be re-fitted at any time.

### Inserting UPS510

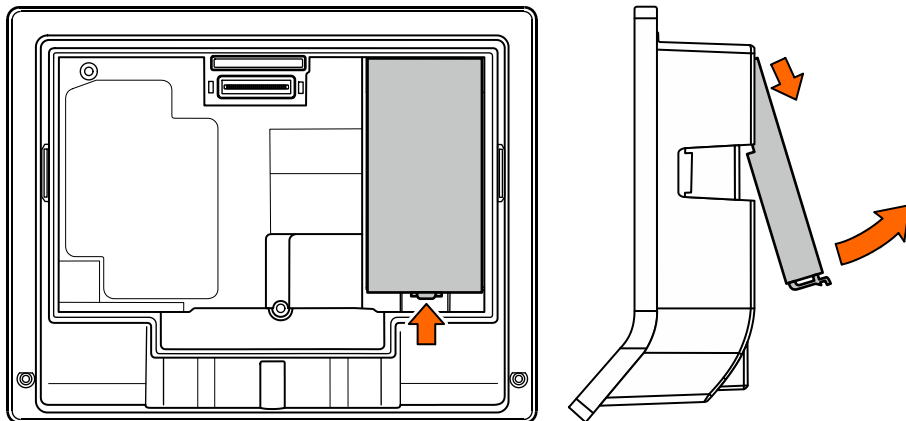
To hold the UPS510, a recess is located on the rear of the terminal. The contact is located in the upper part.

1. Slide the UPS510 with the contact on the underside forward into the recess as far as it will go.
2. Press the lower part of the UPS510 against the terminal until the holder locks into place.



### Removing UPS510

1. Unlock USSV510 by pressing the detent lever towards the UPS.
2. Extract the lower part of the UPS510 and then pull it downwards and remove it.



## 5.6 Fasten the terminal housing to the docking station.



### NOTICE

**For safety reasons (device safety and personal protection), the electronic components and connections in the docking station may not be openly accessible.**

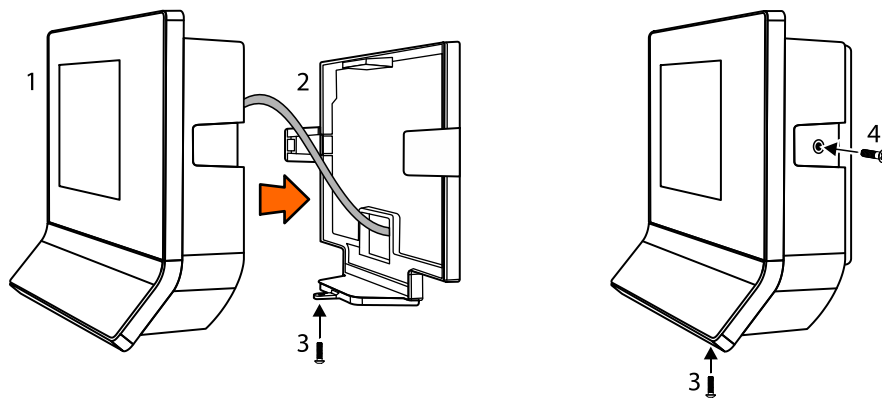
Therefore, the terminal must be installed directly after the docking station if you use devices with optional motherboard in the docking station.



For devices with docking station without motherboard (PoE), the terminal housing may also be installed later on.

Fasten the terminal housing (1) as follows to the docking station (2):

1. Plug the network cable into the RJ45 socket on the rear of the terminal housing and lay the cable in a loop in the pocket on the rear of the terminal housing.
2. Push the terminal housing (1) into the docking station (2) until the lateral tabs (3) lock into place. Make sure that the terminal housing does not get jammed!
3. Secure the terminal housing on the docking station with the safety screw M4x10 TORX-TR (3). This requires a SoftFinish® TORX® T20H screwdriver with a bore in the tip for TORX® screws with locking pin.



Only devices with optional 'screw-in wall-mounted version'.

1. Screw countersunk screws (4) into the tabs. This requires a TORX® T8 screwdriver.

# 6 Commissioning

## 6.1 Network requirements

Start-up and communication in regular operation are done via an Ethernet network.

To guarantee unhindered and trouble-free data traffic, the UDP ports used for communication must have been enabled.

The firewall configuration must therefore be adapted accordingly.

### 6.1.1 Communication

The UDP port used for communication between B-COMM and the terminal must have been enabled.

The UDP port is in the range from 7700 hex. to 77EF hex. (30464 dec. to 30703 dec.), depending on configuration.

### 6.1.2 Comparing finger templates

Devices equipped with a biometric CBM reader require another UDP port for exchanging biometric data.

The UDP port used for the FTCS or BCFTC stream must have been enabled.

The UDP port is in the range from 7800 hex. to 78EF hex. (30720 dec. to 30959 dec.), depending on configuration.

### 6.1.3 Automatic registration via B-COMM

The network must have been equipped with a working DHCP server.

It must be possible to transfer UDP data packages unhindered to the B-COMM server.

- IP address 239.255.255.250, UDP port 1900 dec. and UDP port 7900 (30976 dec.) must have been enabled.
- The SSDP service has to be enabled in the Windows service management.
- The SFTP connection via the standard port 22 must have been enabled.

## 6.2 Automatic registration via B-COMM

Start-up of the terminal takes place largely automatically in connection with the communication software B-COMM.



The device is preset at the factory for automatic registration via B-COMM.

For communication via WLAN, the connection must have been previously set up and activated. This is done via the system settings.

### System requirements

- B-COMM communication software version 4.0 and higher.
- Network with a working DHCP server.

### Start-up procedure

1. Connect the power supply for the device.
  - ⇒ After booting, the device cyclically reports to the B-COMMs active in the network.
  - ⇒ At this point, until start-up by a B-COMM is complete, the message **'Waiting for registration'** is displayed on the display.
  - ⇒ Once the device is detected by B-COMM, the relevant data that identifies the device will be queried.
  - ⇒ If the device is not known, it will be entered in B-COMM under the B-COMM Terminal Discovery client under BCTDS (Terminal Discovery Stream).
2. Add device in B-COMM to the desired communication channel.
3. Provide device with the appropriate communication parameters.
  - ⇒ After having assigned the device permanently to B-COMM, B-COMM first updates the settings of the device and then makes a backup of the settings together with the 'sop.ini' licence file.
  - ⇒ The device now reports to the B-COMMs active in the network that registration has been carried out, after which the device will be removed again from the BCTDS stream by the other B-COMMS.
4. Load specific parameters and master records to the device.
  - ⇒ The terminal software is restarted automatically. After that, the device is ready-to-operate.

### 6.2.1 Cancelling automatic registration

Automatic registration via B-COMM can be cancelled, in order to perform settings, for example, manually.

- ✓ The device is waiting for registration by B-COMM. The message **'Waiting for registration'** is shown on the display.

1. Touch the Back icon ◀ in the navigation bar.
2. Confirm cancellation.
  - ⇒ Cancellation takes place after no more than 10 seconds, followed by starting the terminal software.



The device can be reset to the registration mode via the Service Interface.

## 6.3 Manual settings

Configuration and parameter setting of the terminal are done largely via the B-COMM communication software.

Manual settings can be made locally on the device or from a remote location.

Settings locally on the device:

- Settings via the Service interface [▶ 6.5](#)
- Settings via the Kaba test program [▶ 6.4](#)
- Android system settings [▶ 6.6](#)

Options for making settings from a remote location:

- Remote setup [▶ 6.9](#)
- Service Interface [▶ 6.5](#)

### **Network settings**

To change network settings, for example assignment of a fixed terminal IP address, the following options are available:

- Locally on the device via Android system settings [▶ 6.6](#)
- Locally on the device via Service interface [▶ 6.5](#)
- Remote via the Service interface [▶ 6.5](#)

Condition: The device must already have an IP address, which must be known.

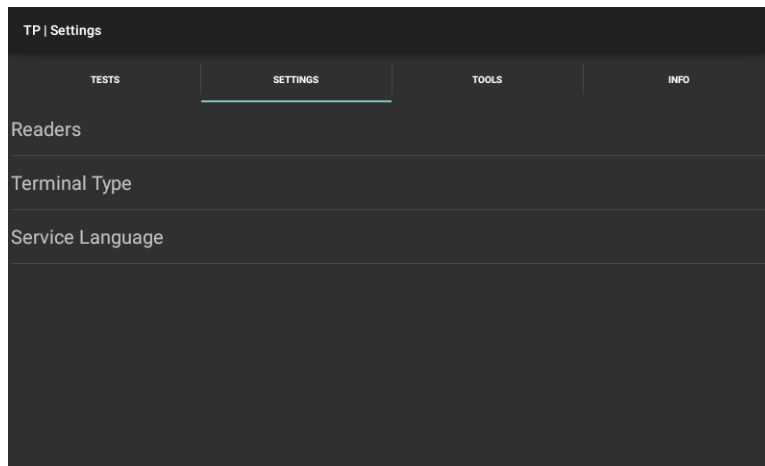


## 6.4 Settings via the Kaba test program

The Kaba test program is in general installed on the device. Apart from various test and info functions, the Kaba test program also offers the option to make system-specific settings, such as the configuration of the readers.

### Loading the settings of the Kaba test program

- ✓ The start screen of the Base App [▶ 7.9] is displayed.
- 1. Touch the icon designated 'TP'.
  - ⇒ The Kaba test program is started.
- 2. Select 'Settings'.
  - ⇒ The settings of the Kaba test program are displayed.



### 6.4.1 Service language

This function allows you to select the language for service texts and the Kaba test program.

### 6.4.2 Reader settings

Configuration of the internally and externally connected readers.



These reader settings correspond to the device configuration at the time of delivery. The function is usually only required if an external reader is connected at a later stage or if LEGIC is switched over to MIFARE in connection with an MRD reader.

### 6.4.2.1 Reader type

Depending on the device, up to three readers can be configured. The reader type connected to the respective interface is set under 'Type'. If no reader is available, 'NONE' must be set as reader type.

Type	Supported readers
NONE	No reader connected
LEGIC_4200	RMs SM-4200 LEGIC advant & SM-4200-M (MRD in LEGIC mode)
MIFARE	Kaba MIFARE (ARIOS security concept)
MIFARE_4200	RMs SM-4200-M (MRD in MIFARE mode)
BIOMETRIC_CBM	Biometric CBM reader
HID_ICLASS_SE_PROX	HID iCLASS SE / prox reader
HID_PROX	HID proximity reader
HID_ICLASS	HID iCLASS reader
BARCODE	Barcode, CCD barcode scanner
MAGNETIC	Magnetic swipe, Baltech MIFARE, Hitag
SPECIAL2	Reader with serial FLI2/FLI3
SPECIAL	Reader with serial FLI
TRANSPARENT	Special applications

#### Devices with MRD reader (multi-reader device)

Devices with MRD reader (RMs SM-4200-M) support LEGIC or MIFARE media, depending on the reader type set.

For LEGIC media, the 'LEGIC\_4200' reader type has been factory-preset.

For processing MIFARE media, the reader type must be changed to 'MIFARE\_4200'.

LEGIC media are configured in the same way as pure LEGIC readers by means of an SM-4200 chip via the files 'mediaact.ini' and 'mediadef.ini'.

MIFARE media are configured in the same way as the predecessor 'Kaba MIFARE' via the 'system.ini' file.

### 6.4.2.2 Interface

To set the interface the reader is connected to.

The device supports up to three readers. Depending on options, the reader assignment of the COM ports is as follows:

First internal reader	Second internal reader	External reader
COM2 (RFID)	-	COM4
COM2 (substructure reader)	-	COM4
COM2 (RFID)	COM1 (substructure reader)	COM4
COM1 (CBM)	-	COM4
COM1 (CBM)	COM2 (RFID)	COM4
COM1 (CBM)	COM2 (substructure reader)	COM4

### 6.4.2.3 Guard time

The guard time is used to avoid accidental double bookings. After a booking, the next badge will not be read until the guard time has expired.

The time is given in ms. Presetting = 2000 ms.

## 6.5 Service Interface

The service interface provides the functions that are required for start-up, maintenance, and diagnostics of the device.

Operation and a detailed description of the service functions can be found in the following documentation:

- Service Interface reference manual


### 6.5.1 Remote access

The service interface is provided by the web server integrated into the device. Access takes place via the network connection of the device, either directly or via the network. For direct connection, an Ethernet cross-over cable (crossed RJ-45 cable) or an Ethernet patch cable 1:1 can be used (Auto MDIX).

The service interface can be accessed from a service PC via a web browser by typing the device IP address into the address box.

## 6.5.2 Accessing the service interface locally from the B-Client HR30 terminal software.

Access the service interface from the B-Client HR30 terminal software

- ✓ B-Client HR30 terminal software has been started [▶ 7.9.1] and is in the Basic view.
- 1. Touch the Back icon  in the navigation bar [▶ 7.4].  
By default, the actuating time is 4 seconds, but can be adjusted to between 1 and 15 seconds.
  - ⇒ After the set actuating time has expired, the password prompt appears.
- 2. Enter a password or leave the field empty if no password has been stored.  
**NOTE:** No password has been stored for the device in its delivery state. A password can be assigned using the parameter records X02/X12. See reference manual of the terminal software.
- 3. Press 'OK' to confirm.



**NOTICE!** Three invalid password entries will lock the dialog. It must then be unlocked via the parameter record I2.

- 4. Select 'Settings'.




⇒ The start page of the service interface appears on the display.

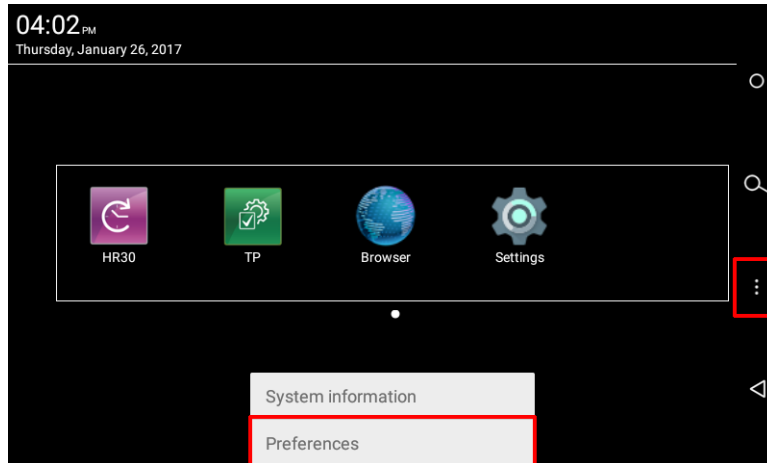


Without any touch interaction, the service interface will be automatically closed again after 3 minutes.

### 6.5.3 Accessing the service interface locally from the BaseApp

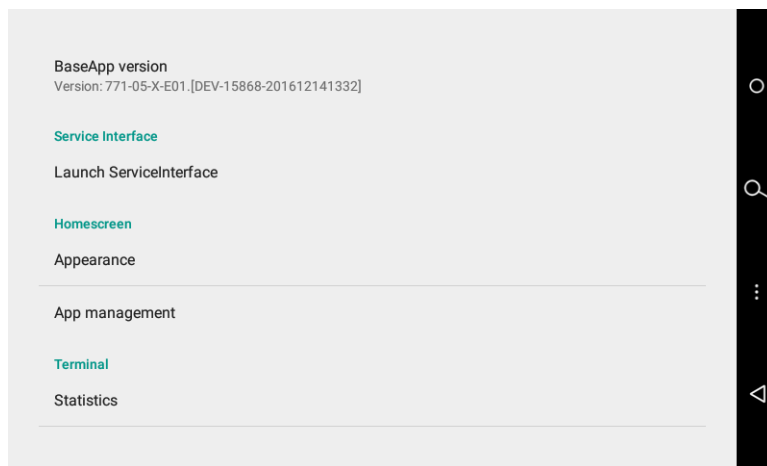
Access the service interface from the BaseApp.

- ✓ The start screen of the Base App is displayed.
- 1. Touch the Back icon  in the navigation bar [▶ 7.4](#).
  - ⇒ A menu appears in the lower display area
- 2. Touch 'Preferences'



⇒ A BaseApp function selection is displayed.

- 3. Touch 'Launch Service Interface' under Service Interface.



⇒ The start page of the service interface appears on the display.



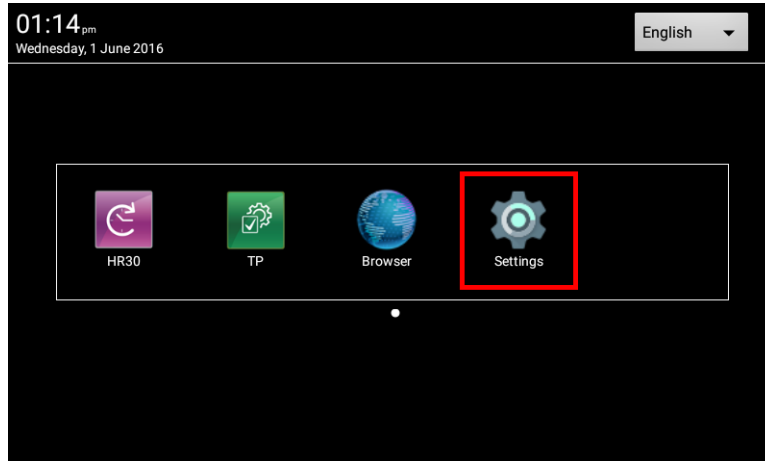
Without any touch interaction, the service interface will be automatically closed again after 3 minutes.

## 6.6 Android system settings

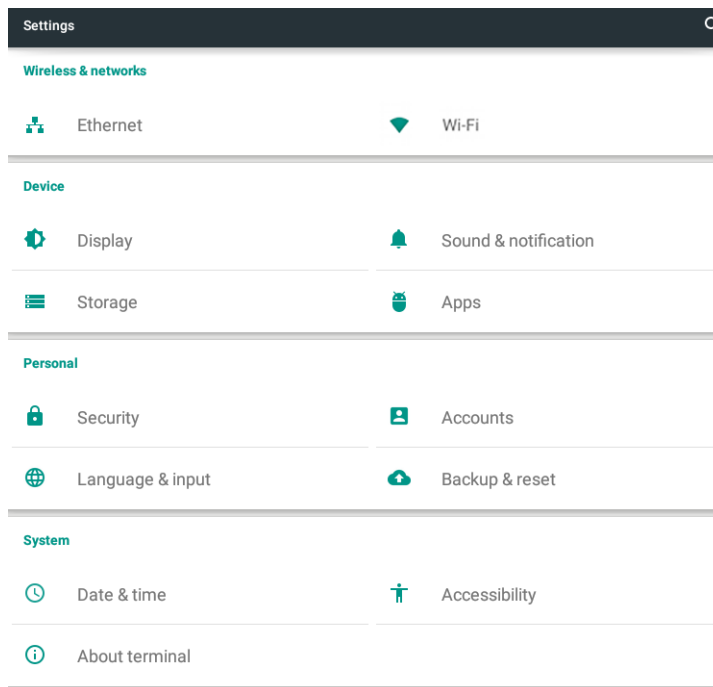
System-specific settings, connection settings, such as assignment of a fixed IP address, can be made via the android system settings.

### Access the android system settings

- ✓ The start screen of the Base App is displayed.
- 1. Touch the 'Settings' application.



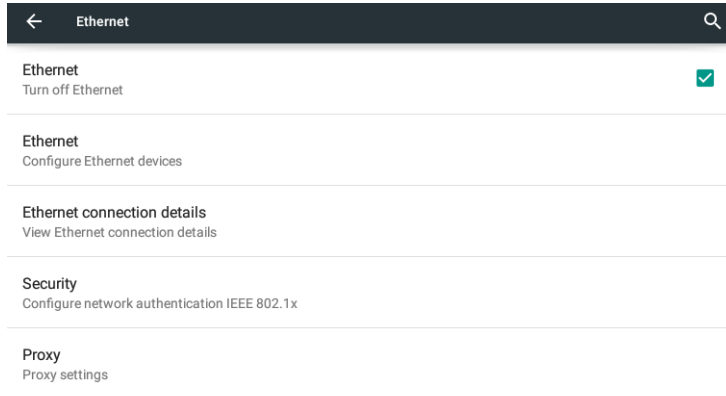
⇒ The main menu of the android system settings is displayed.



## 6.6.1 Network settings

Open the Ethernet menu:

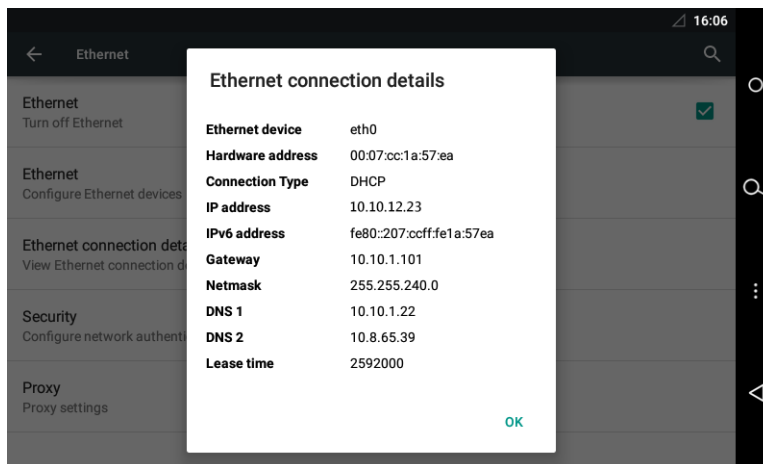
- ✓ The main menu of the android system settings is displayed.
- 1. Select 'Ethernet' under 'Wireless & networks'.
- ⇒ The menu containing the Ethernet functions is displayed.



### 6.6.1.1 Displaying the current network configuration

- ✓ The menu containing the Ethernet functions is displayed.
- 1. Select 'Ethernet connection details'.
- ⇒ The current network configuration is displayed.

Example:





### 6.6.1.2 Adjusting the Ethernet settings

- ✓ The menu containing the Ethernet functions is displayed.
- 1. Select 'Ethernet - configure Ethernet devices'
- ⇒ The Ethernet settings are displayed

#### Requesting an IP address from the DHCP server

1. Activate 'DHCP'.

**Configure Ethernet device**

Connection Type

DHCP

Static IP

DISCARD    SAVE

2. Apply setting by pressing 'Save' and leave the function.

#### Static IP configuration

1. Activate 'Static IP'.
2. Enter network parameters.

**Configure Ethernet device**

Connection Type

DHCP

Static IP

IP Type

IPv4

IPv6

IP address

123.0.0.2

---

Gateway

123.0.0.1

---

Netmask

255.255.0.0

---

DNS 1

0.0.0.0

---

DNS 2

0.0.0.0

---

DISCARD    SAVE

3. Apply setting by pressing 'Save' and leave the function.

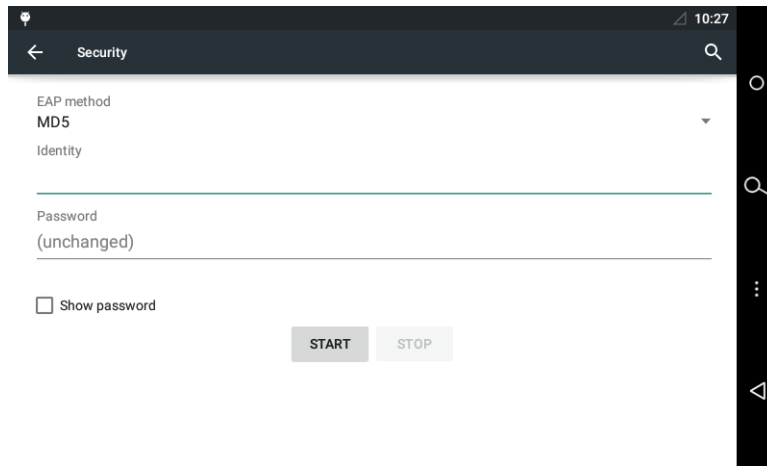
### 6.6.1.3 Network security

The terminal supports the following authentication procedure for access controls to the local network:

- EAP (Extensible Authentication Protocol) according to IEEE 802.1x
- EAP type MD5 with identity and password

#### Configuration of IEEE 802.1x authentication

- ✓ The menu containing the Ethernet functions is displayed.
1. Select 'Configure network authentication IEEE 802.1x' under 'Security'.
  2. Select EAP method (MD5), enter identity and password.



3. Touch 'Start'

## 6.6.2 Settings for adjustment to the environment

### Display brightness

The display brightness can be adjusted as follows:

- ✓ The main menu of the android system settings is displayed.
- 1. Select '**Display**' under 'Device'.
  - ⇒ The display functions are displayed.
- 2. Select '**Brightness level**'.
- 3. Use the slide control to set the desired brightness.

### Sleep setting

After a defined time without user activity, the display brightness is automatically reduced.

The time until this sleep mode is initiated can be set in a range between 15 seconds and one hour. The sleep mode can also be deactivated.

The sleep setting can be adjusted as follows:

- ✓ The main menu of the android system settings is displayed.
- 1. Select '**Display**' under 'Device'.
  - ⇒ The display functions are displayed.
- 2. Select '**Sleep**'.
- 3. Select desired time or deactivate function (Never).

The sleep mode is finished when the internal motion sensor detects a person or any user activity takes place at the device.

### Volume setting

The volume for the acoustic operator guidance via the system loudspeaker can be adjusted as follows:

- ✓ The main menu of the android system settings is displayed.
- 1. Select '**Sound & notification**' under 'Device'.
  - ⇒ The sound settings are displayed.
- 2. Use the 'Media volume' slide control to set the desired volume.

## 6.7 Reader initialization

Some RFID readers must be initialized during initial start-up.

### 6.7.1 LEGIC

LEGIC readers require a reader launch in certain cases:

- If a read-protected segment is to be used.
- If writing to a write-protected segment is to be done, for example during a CardLink application.

#### **Reader launch**

- ✓ The reader launch requires an SAM 63 card (security card C2) containing the corresponding segment area.
1. Hold the SAM 63 card in front of the reader if the device expects an RFID input in normal operation.
    - ⇒ The start of the sequence is confirmed by means of an acoustic signal.
    - ⇒ Three successive acoustic signals are output if the process cannot be executed, for example if the reader has already been launched.
  2. The SAM 63 card must be present uninterruptedly in the reading area for about 15-20 seconds.
    - ⇒ After a successful launch, 3 short acoustic signals are output.
    - ⇒ Eight successive signals are output when an error occurs.
  3. Remove the SAM 63 card from the field.

#### **Reader delaunch**

- ✓ The reader is delaunched using an SAM 64 card.
1. Hold the SAM 64 card in front of the reader if the device expects an RFID input in normal operation.
    - ⇒ The start of the sequence is confirmed by means of an acoustic signal.
    - ⇒ Three successive acoustic signals are output if the process cannot be executed, for example if the reader has already been launched.
  2. The SAM 64 card must be present uninterruptedly in the reading area for about 15-20 seconds.
    - ⇒ After a successful delaunch, 3 short acoustic signals are output.
    - ⇒ Eight successive signals are output when an error occurs.
  3. Remove the SAM 64 card from the field.

## 6.7.2 MIFARE (ARIOS)

In systems with ARIOS security concept, the site key must be distributed to the individual readers.

The site key can be distributed in two ways.

- Site key distribution via B-COMM.
- Site key distribution via programming master A or B.

For details, please refer to the reference manual of the terminal software.

## 6.7.3 MIFARE (Baltech)

The MIFARE reader must be activated by a MIFARE configuration card:

1. Turn off the device.
2. Turn on the device.
3. Hold the MIFARE configuration card in front of the reader for about 10 seconds.

## 6.8 SFTP server

The device provides an SFTP server for a secure, encrypted connection via the 'Secure File Transfer Protocol' (SFTP).

### 6.8.1 Preconditions

For SFTP access to the terminal, the following is required:

- SFTP client, for example WinSCP. WinSCP (Windows Secure CoPy) is a free 'open source' SFTP and FTP client for Microsoft Windows.
- Kaba key file. The standard key file is available for download on the Internet at the Kaba site in the secured area (Extranet).
- The SFTP connection via the standard port 22 must have been enabled.

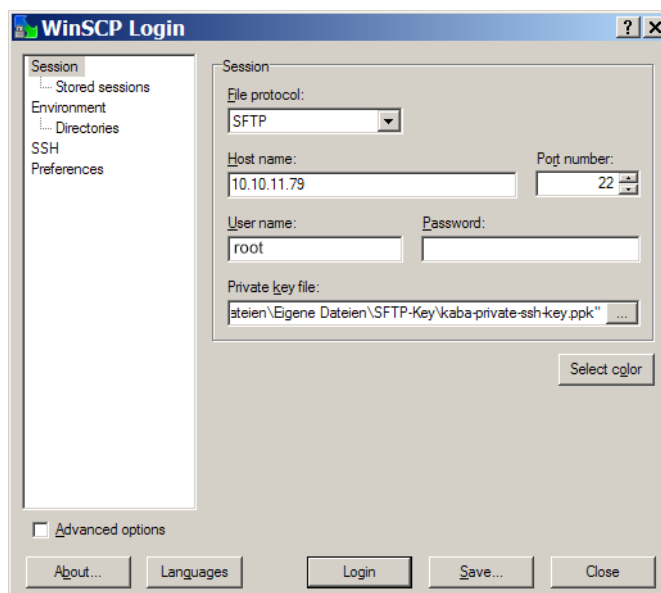
### 6.8.2 Establishing an SFTP connection

After installation and start of the SFTP client, the login window appears.

Required settings:

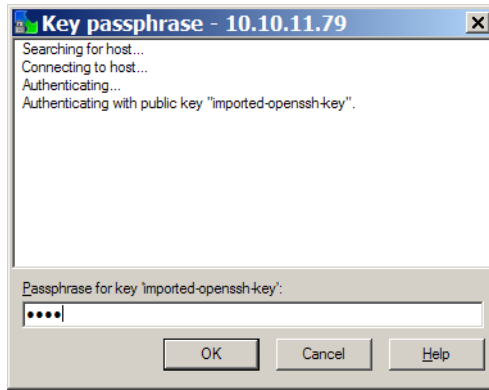
File protocol: SFTP  
 Host name: <IP address> e.g. 10.10.11.79  
 Port number: 22  
 User name: root  
 Password: leave blank  
 Private key file: Select key file on local computer.

1. Make the following entries and settings
2. Click "Login"

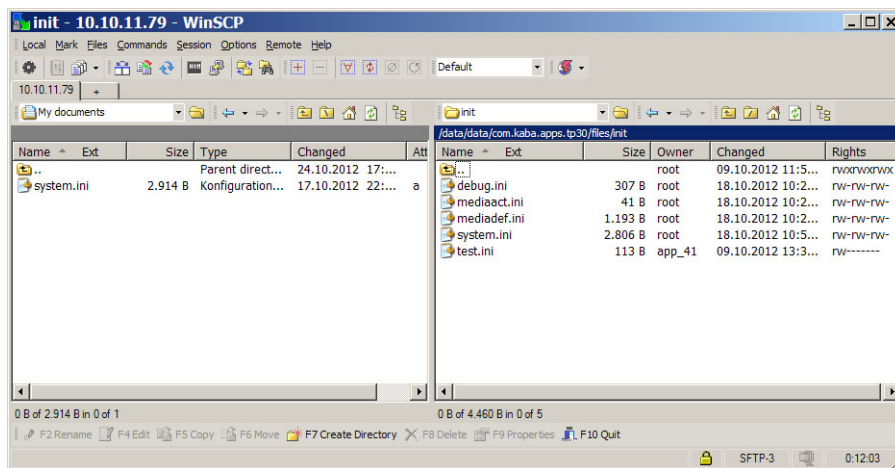


3. Enter pass phrase.  
 Pass phrase for standard key = kaba

- Click "OK"



⇒ The connection to the terminal is being established.



### 6.8.3 Information on the key file

The device is equipped with a standard key file ex works.

It can be replaced with an adjusted customized key file via the function 'SSH key replacement' of the B-COMM communication software.

The SSH key can be reset to standard via the service interface or the BaseApp settings locally on the device.

## 6.8.4 Important directories and files

Path: /data/data/com.kaba.apps.hr/files/

Directory	File	Description
	EEPROMsetting	Parameter used for the system start
diagnosis	statisticsHR.dat	Statistics
init	application.ini	Settings of the B-Client terminal software
	b-client_xml.ini	HTTP/HTTPS/XML function parameters
	encoding.ini	Definition of special characters
	interface.ini	B-Client terminal software design
	labelinfo.ini	Info texts
	sop.ini	Software licence file
	text.ini	Texts for dynamic lists
SSL	root.pem	HTTPS certificates
	root.crt	
transfer	record.dat	Transfer directory for control files, see chapter 6.9
	input.cmd	
	reboot.cmd	

Path: /data/data/com.kaba.apps.ba/files/

Directory	File	Description
diagnosis	debug.err	Error logfile
	debug.log	System logfile
	debug.bak	Backup of debug.log
init	communication.ini	Communication settings
	debug.ini	Logging settings
	mediaact.ini	Settings for LEGIC 4200 reader
	mediadef.ini	
	system.ini	System settings
	terminal.ini	Terminal settings



## 6.9 Remote setup

The following settings can also be transferred to the device via SFTP [▶ 6.8](#):

- Host configuration
- FTCS host configuration
- Reader settings



---

This type of start-up should only be carried out by experienced system specialists.

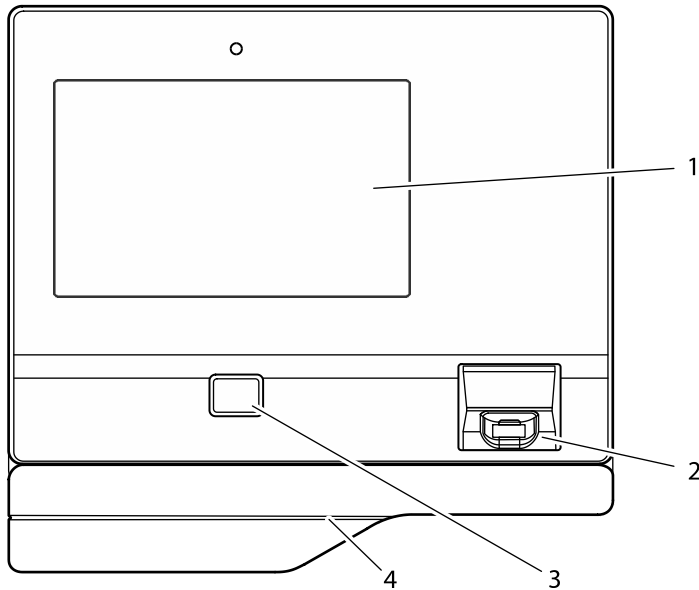
---

### Procedure:

1. Establish SFTP connection to the device.
2. Load the following file in ASCII mode to the local computer:  
/data/data/com.kaba.apps.hr/files/**EEPROMsetting**  
This file contains the parameter used for the last start.
3. Rename file to **reboot.cmd**.
4. Adjust the parameter values in the file accordingly.  
**NOTE:** Changes in the sections [General] and [Ethernet] will not be applied!
5. Enter 'RESET' in the first line of the file.  
Example:  
RESET  
[Ethernet]  
MAC Addr=00:07:cc:00:62:e4  
Terminal Addr=10.10.5.85  
...  
6. Copy the **reboot.cmd** file to the following directory on the device:  
/data/data/com.kaba.apps.hr/files/transfer/  
⇒ The file will be identified within approx. 15 seconds and the parameter values will be applied.  
⇒ The terminal software is then restarted with the changed settings.

# 7 Operation

## 7.1 Operating elements



- 1 Display and touch screen
- 2 Reader window for finger placement (only devices with optional biometric reader)
- 3 Entry field for RFID media (only devices with optional RFID reader)
- 4 Card swipe (only devices with optional swipe reader in substructure housing)

## 7.2 Display

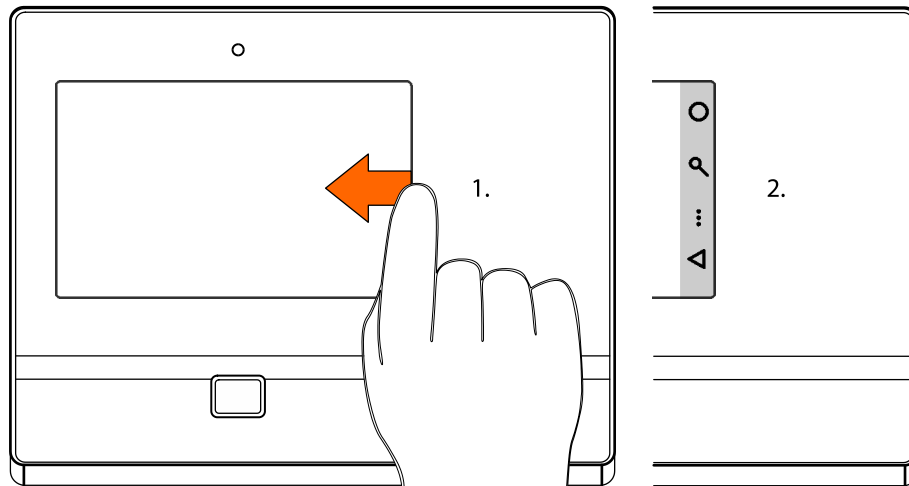
For displaying the user interface and outputting specific information, a 7" colour TFT display is used.

## 7.3 Touch screen

The device has a 7" touch screen, which extends over the entire display surface. The touch screen is operated by touching the glass surface with a finger.

## 7.4 Navigation keys

By wiping from the right display edge to the left, the navigation bar is displayed. The navigation bar contains the android navigation keys.



Upon touching the individual symbols, the following functions will be executed:

Upon touching the individual symbols, the following functions will be executed:

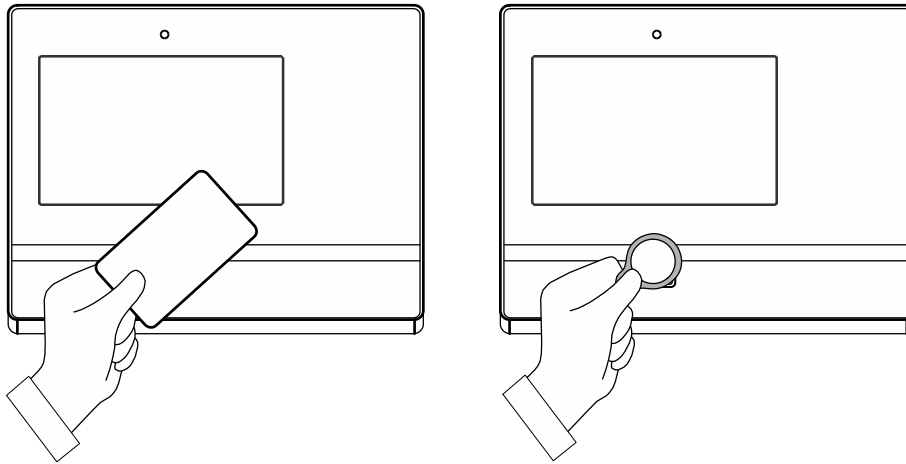
- **Home**  
Upon touching the Home symbol, the desktop view (start screen) of the device opens. Since the android is capable of multitasking, active programs keep running in the background.
- 🔍 **Search**  
Upon touching the search symbol, the search function for each active program is displayed.
- ⋮ **Menu**  
Upon touching the menu symbol, a menu is displayed whose options refer to the current program or the current screen display.
- ◀ **Back**  
Upon touching the Back icon, it is possible to return to the display view shown last in each case, i.e., for example, from the submenu to the main menu.  
  
When the system is expecting an input, a virtual keypad is shown on the display. In this input mode, the Back icon points downwards. Upon touching the Back icon, the input mode is finished, and the virtual keypad disappears.



The Home key and Search key are without function within the B-Client terminal software, test program and BaseApp.

## 7.5 RFID reader

Contact-free media are simply held in front of the entry field of the RFID reader on the terminal.



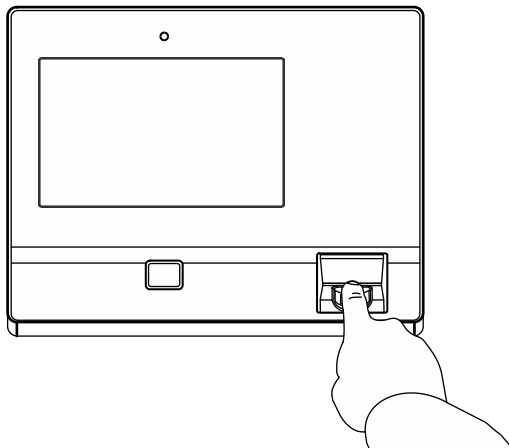
The reading process, in particular in connection with biometric verification or CardLink, can take several seconds. RFIDDo not remove the RFID medium from the input field until successful read-in has been signalled.

## 7.6 Biometric reader

The biometric reader is ready as soon as the reading window is lit.

The finger must be placed in the centre of the reading window of the biometric reader.

After a valid booking, a short acoustic signal can be heard.



### Finger position

Only if finger position and pressure on the reader window are optimal, is a correct fingerprint read-in ensured.

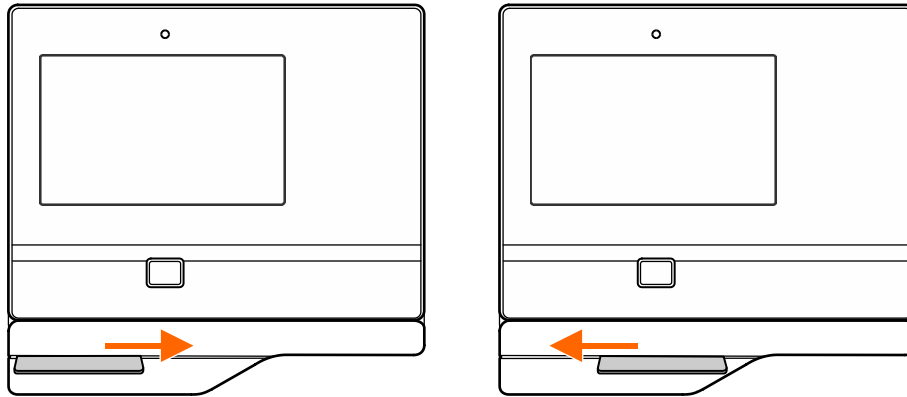
- The finger has to be slightly humid.
- The finger has to be gently pressed onto the window.
- The fingerprint has to be in the centre of the reader window.

## 7.7 Swipe reader

Swiftly swipe magnetic-stripe badges and barcode badges through the reading bar in any direction.

The magnetic stripe is on the back of the badge, pointing towards the scanning unit.

The barcode is on the front of the badge, pointing towards the scanning unit.



In connection with magnetic-stripe badges, automatic detection of the booking direction is possible.

This function must be enabled by settings in the terminal software.

Thus, for example, swiping from left to right can generate an IN booking and swiping from right to left an OUT booking.










## 7.8 Symbols for user guidance

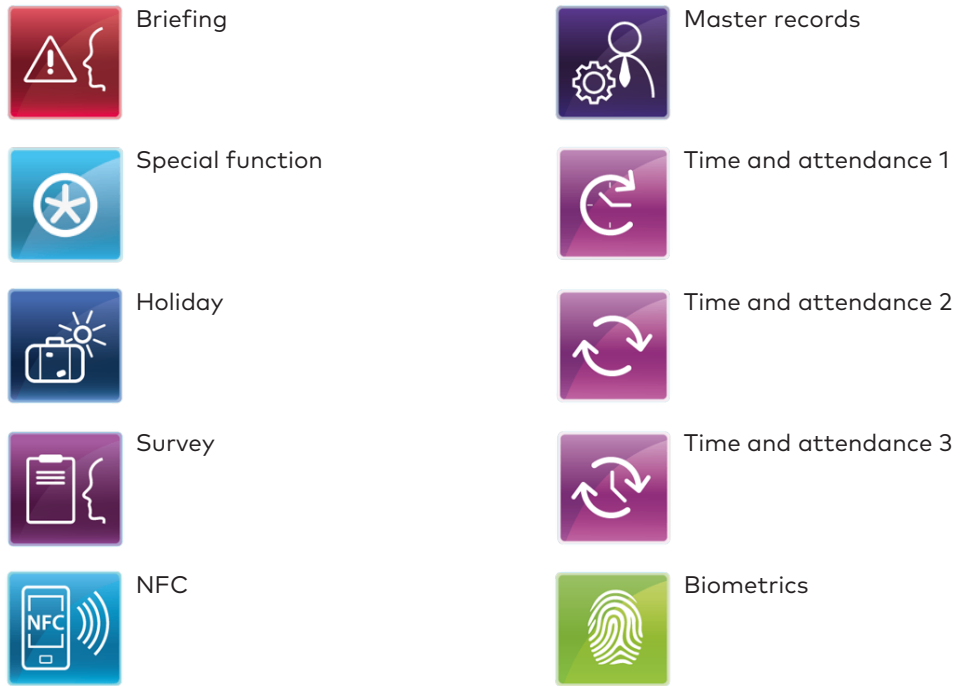
The following standard symbols are available to the terminal software for user guidance. The symbols are part of the BaseApp.



Display contents, functions and operating sequences depend on the terminal software settings.

### 7.8.1 Function keys

	IN		Production data collection
	OUT		CardLink
	Official absence		Cafeteria
	Break		Kiosk 1
	Query		Kiosk 2
	Time query		Logfile 1
	Access 1		Logfile 2
	Access 2		Logfile 3
	Visitor registration		Additional settings
	Cloud		News
	Room reservation		Shift schedule



### 7.8.2 Input prompt

The following symbols signal to the operator what entry is currently expected.



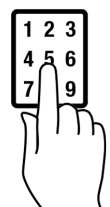
Badge entry via RFID reader or swipe reader expected.



Finger entry via biometric reader expected.

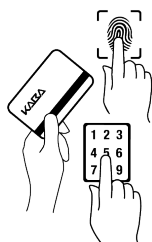


Entry of an RFID badge with biometric segment for biometric verification expected.

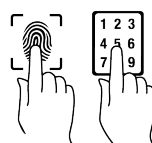


ID or PIN entry expected.

If the system configuration alternatively allows for several entries, symbols with several possible entry types are displayed, for example:



Finger entry or badge entry or entry via keypad expected.



Finger entry or entry via keypad expected.

### 7.8.3 Error states

The following symbols signal to the operator error states during a booking



Invalid biometric verification

Fingerprint is not identical to the finger template on the badge or finger template does not exist.



Invalid biometric verification

No biometric segment on badge detected or error while reading finger template.



Invalid biometric identification

The database of the CBM reader does not contain any finger templates (database empty).



Invalid biometric identification

Finger not contained in database



Reading error

### 7.8.4 CardLink

When using the optional CardLink function, the following symbols are relevant.



A CardLink update is available.



During a CardLink validation or CardLink update, an error has occurred.



### 7.8.5 Finger entry

While the fingerprint is read in, the user is guided event-driven by the biometric reader.

The following symbols are displayed to signal the error states to the user.



Place finger more to the left.



Place finger more to the right.



Place finger more to the top.



Place finger more to the bottom.



Press finger more strongly.



Latent finger

Clean reading window of the biometric reader



The database of the CBM reader does not contain any finger templates (database empty).

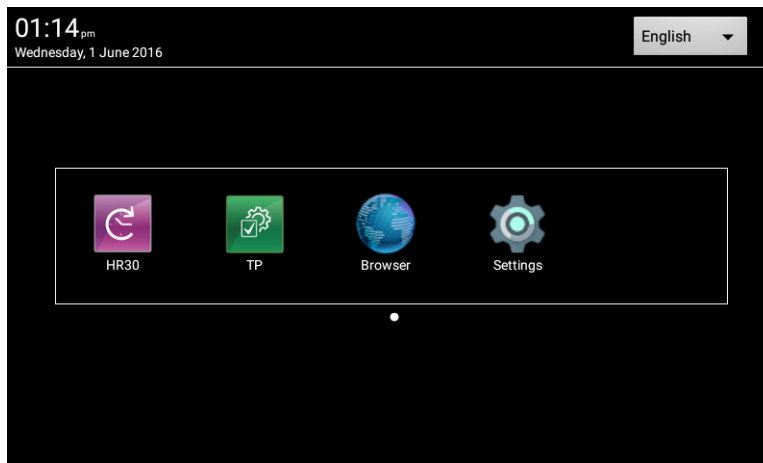
This state is displayed immediately after enabling the reader.

## 7.9 BaseApp

The BaseApp is the user interface shown after closing an application.

The BaseApp essentially performs the following functions:

- Protection of the operating system from unauthorized access (system isolation).
- Only controlled access to the operating system is possible.
- Organization and start-up of applications (apps).
- Provision of functions and interfaces for access to the hardware.



### 7.9.1 Starting the application

On the start screen of the BaseApp, the applications (apps) available to the user are shown in the form of symbols (icons).

Depending on the number of applications, this list can run over several pages. The number of pages is indicated by the dots below the list. The active page is characterized by a filled dot.

Upon touching the corresponding icon, the application is started.

For example, Kaba terminal software:


- Icon HR30 = B-Client HR30 terminal software
- Icon TP = Kaba test program

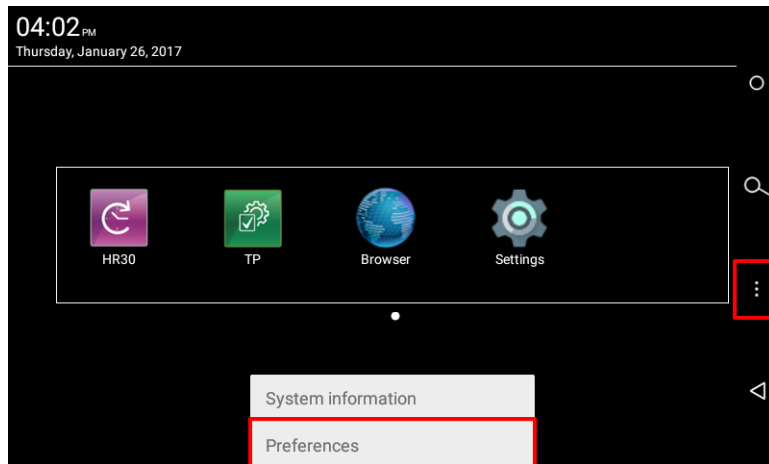
## 7.9.2 App management

This function determines which applications (apps) are displayed on the start screen and are thus available to the operator. The order of the app icons can also be adjusted.

In addition, a default application started automatically with the system can be defined.

### Starting app administration

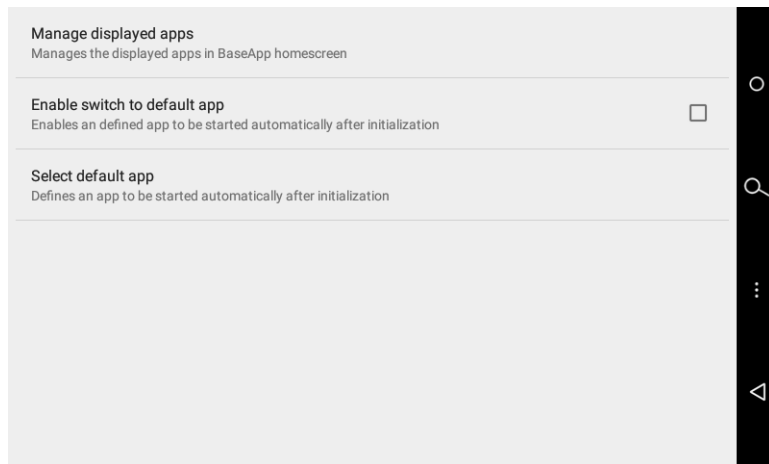
- ✓ The start screen of the Base App is displayed.
- 1. Touch the Back icon  in the navigation bar [\[▶ 7.4\]](#).
- 2. Select 'Preferences'.



- 3. Select 'App management'.

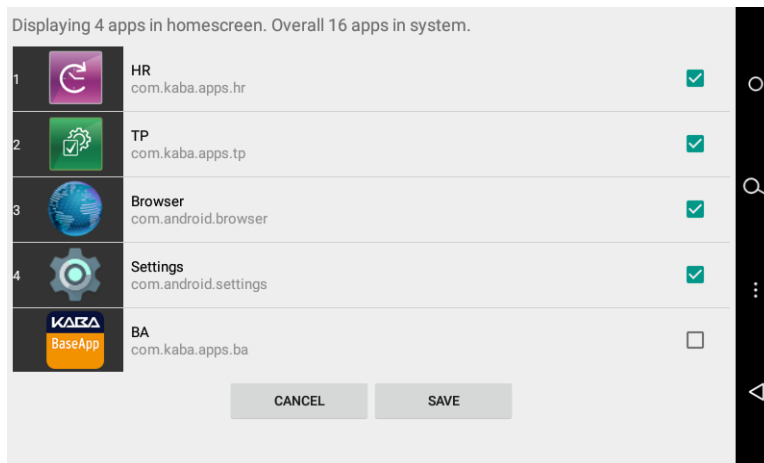


⇒ The submenu of the app management is displayed.



### 7.9.2.1 Managing the apps displayed

The available applications (apps) are displayed in a list.



To place an app on the BaseApp start screen, the check box on the right must be checked.

On the left next to the app icon, the order number is shown. The order number indicates the order of the apps on the BaseApp start screen. To change the order, touch the icon of the corresponding app and move it to the desired position in the order.

### 7.9.2.2 Autostart for default app.

If the function 'Enable switch to default app' is active, the application defined under 'Select default app' will be started automatically when starting the device.


### 7.9.2.3 Selection of the default app

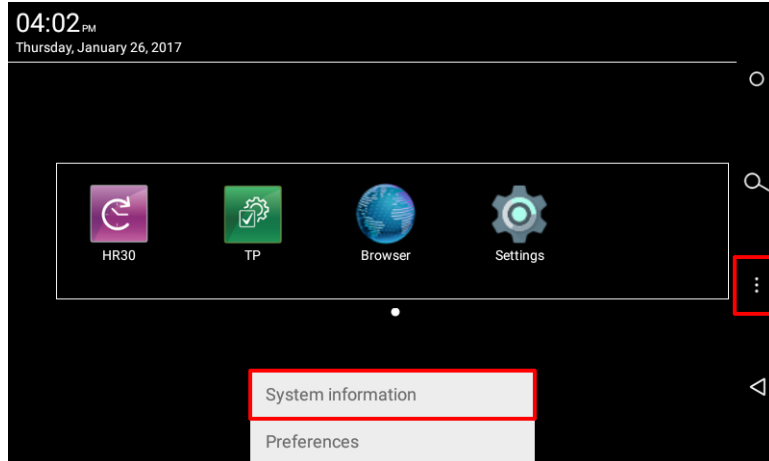
The function 'Select default app' is used to define the default app.

### 7.9.3 System Information

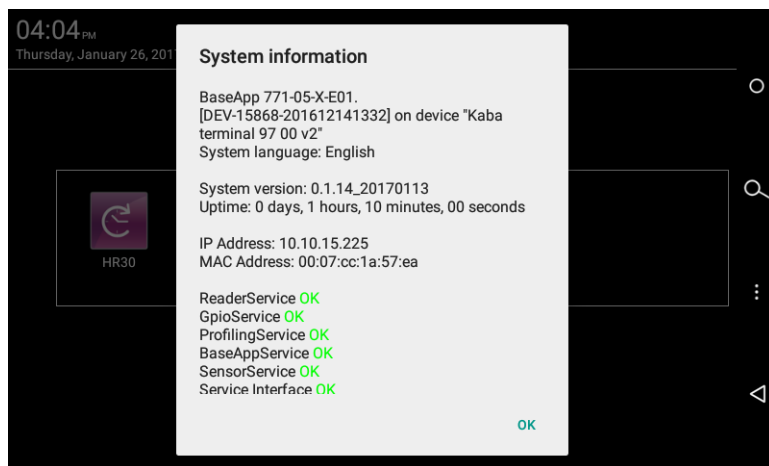
The BaseApp menu can be used to display miscellaneous system information.

#### Displaying system Information

- ✓ The start screen of the Base App is displayed.
- 1. Touch the Back icon  in the navigation bar [\[▶ 7.4\]](#).
- 2. Select 'System Information'.



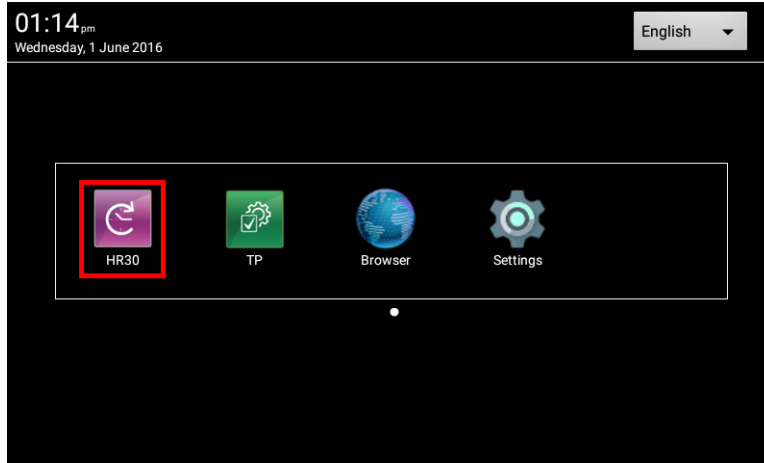
⇒ The system information is displayed.



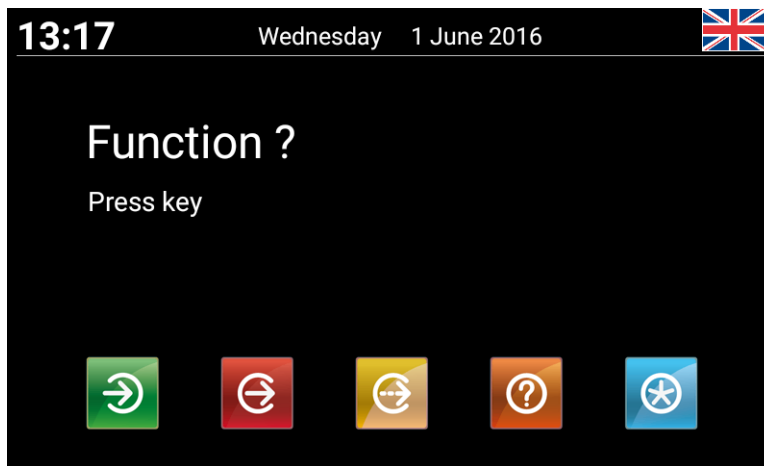
## 7.10 B-Client HR30 terminal software

### 7.10.1 Starting the terminal software

In the start screen of the BaseApp [▶ 7.9], the available applications (apps) are displayed. Touch the icon designated 'HR30' to start the B-Client HR30 terminal software.




The B-Client HR30 user interface is shown on the display of the terminal.



The appearance of the device software can be adjusted specifically for each customer and is therefore variable. Accordingly, the default user interface shown above must be considered an example.

## 7.10.2 Shutting down the terminal software

Shut down the B-Client terminal software as follows:

1. Touch the Back icon  in the navigation bar [\[▶ 7.4\]](#).  
**NOTE:** By default, the actuating time is 4 seconds, but can be adjusted to between 1 and 15 seconds.  
 ⇒ After the set actuating time has expired, the password prompt appears.
2. Enter a password or leave the field empty if no password has been stored.  
**NOTE:** No password has been stored for the device in its delivery state. A password can be assigned using the parameter records X02/X12. See reference manual of the terminal software.
3. Press 'OK' to confirm.




**NOTICE!** Three invalid password entries will lock the dialog. It must then be unlocked via the parameter record I2.

- ⇒ The terminal software is shut down, and the BaseApp user interface [\[▶ 7.9\]](#) is displayed.

### 7.10.3 Info functions

In the menu of the B-Client HR30 terminal software, two info functions are available.

- ✓ B-Client HR30 terminal software has been started. [▶ 7.10.1]
- 1. Touch the Menu icon  in the navigation bar [▶ 7.4].
  - ⇒ After the set actuating time has expired, the password prompt appears.
 

**NOTE:** By default, the actuating time is 4 seconds, but can be adjusted to between 1 and 15 seconds.
- 2. Enter a password or leave the field empty if no password has been stored.
 

**NOTE:** No password has been stored for the device in its delivery state. A password can be assigned using the parameter records X02/X12. See reference manual of the terminal software.
- 3. Press 'OK' to confirm.
  - ⇒ The menu is displayed.



#### Host communication

The following information is displayed:

- B-Client HR30 version
- Terminal IP address
- Host IP address and port
- Group identification and device identification
- Current readers

#### Network communication

The following information is displayed:

- Terminal IP address
- Network mask
- MAC address
- DNS
- Gateway
- DHCP server address




## 7.10.4 Registering new fingerprints at the terminal

The function **'Local Enrollment'** of the B-Client HR30 terminal software allows new fingerprints to be registered via the biometric reader at the terminal.

Prerequisites:

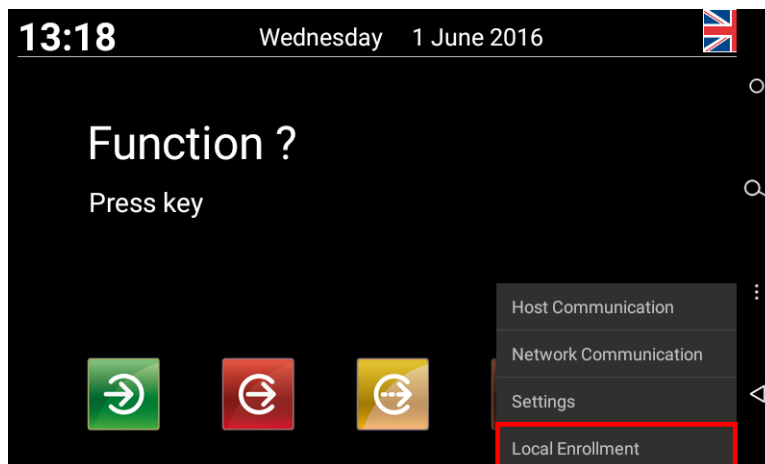
- Terminal with biometric reader
- B-Client HR30 terminal software with 'Local Enrollment' software option

### 7.10.4.1 Displaying the function

- ✓ B-Client HR30 terminal software has been started [▶ 7.10.1].
- 1. Touch the Menu icon  in the navigation bar [▶ 7.4].
  - ⇒ After the set actuating time has expired, the password prompt appears.
 

**NOTE:** By default, the actuating time is 4 seconds, but can be adjusted to between 1 and 15 seconds.
- 2. Enter a password or leave the field empty if no password has been stored.
 

**NOTE:** No password has been stored for the device in its delivery state. A password can be assigned using the parameter records X02/X12. See reference manual of the terminal software.
- 3. Press 'OK' to confirm.
- 4. Select 'Local Enrollment'.



- ⇒ The main menu is displayed. The biometric mode and the current assignment of the internal reader database are additionally displayed.



### 7.10.4.2 Enroll

This function allows persons to be registered via the biometric reader of the terminal. The fingerprints are stored in the internal reader database.

#### Operation with biometric software

During normal operation with biometric software, the new finger templates are synchronized directly using the Finger Template Control Service (FTCS).



The function 'Enroll' is only executed if an FTCS connection is already available via the BCFTC stream.

#### Standalone mode



In standalone mode, the function is also executed without FTCS connection.

#### Procedure

2 fingers per person are registered. 3 pictures are taken of each finger. To do so, each finger has to be briefly placed on the reader window three times. A quality value is specified for each registration process.

The quality of the registered fingers is subdivided into three levels.

Quality of number	Quality of text
> 120	very good
60-120	good
< 60	poor

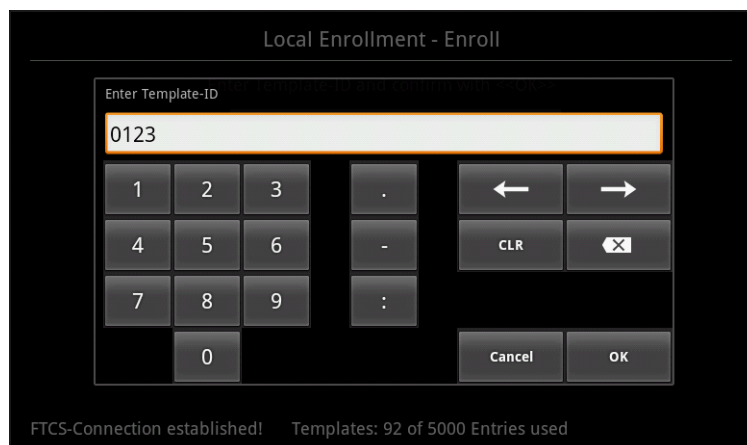
#### Optimal finger position

If the finger position is not ideal during enrollment, symbols to that effect are shown on the display [▶ 7.8.5](#).

#### Registering a person

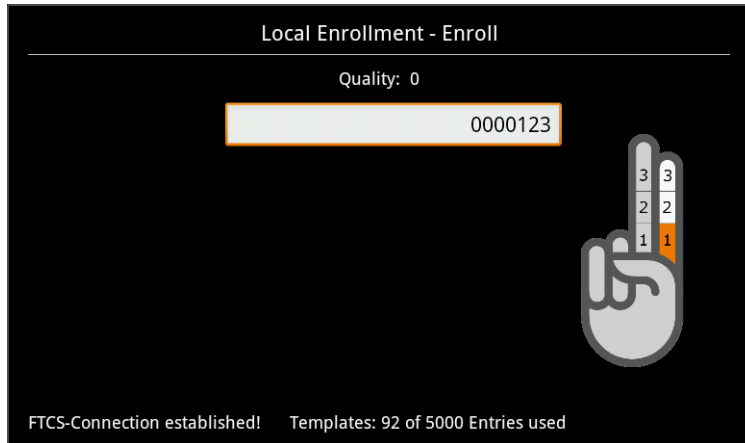
1. Select 'Enroll'.
2. Enter template ID.

**NOTE:** The person is identified by means of the template ID. The length of the ID is preset by the 'PresetEnroll' parameter.



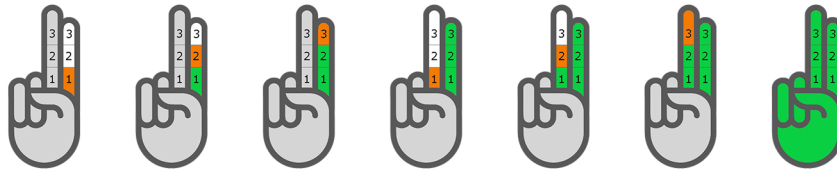
3. Press 'OK' to confirm the template ID.

- Place first finger on the reading window.

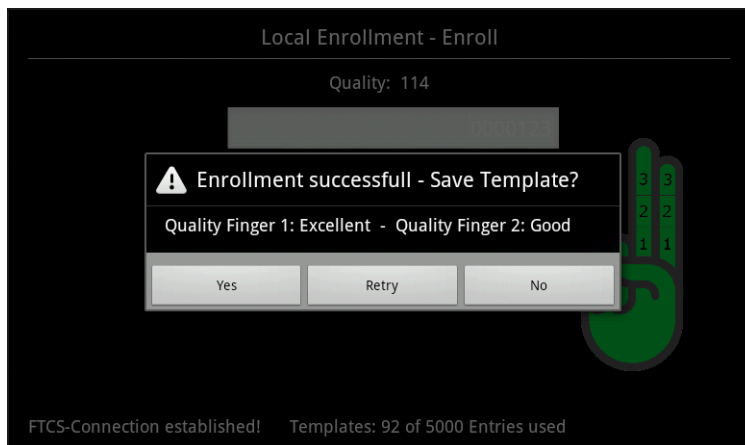


⇒ A successful read-in of a finger is confirmed by means of a short acoustic signal.

- Remove finger briefly and then place it again. The hand symbol on the display signals which finger has to be placed which number of times (orange) and which fingers have been registered how many times (green).



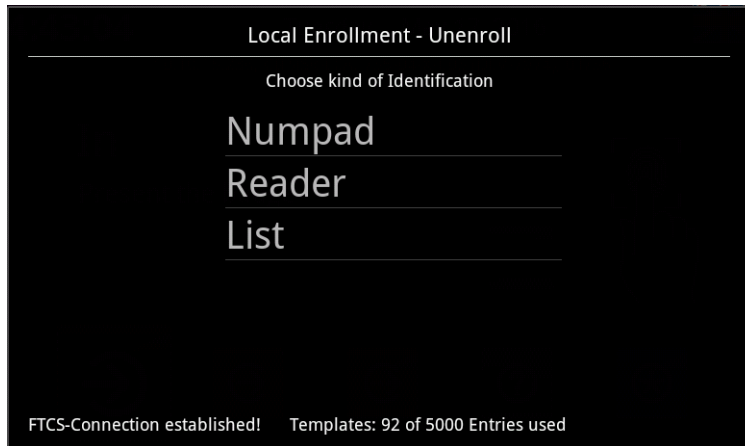
- ⇒ After successful registration of the 6 (2x3) finger prints, a green hand will be displayed.
  - ⇒ At the end of the procedure, the overall quality of the registered fingers and a prompt will be displayed, asking you whether you want to save the template.
- If you want the finger template to be saved, press 'Yes' to confirm.



If the quality is poor, the procedure should be repeated. If the quality of a finger is repeatedly poor, a different finger should be registered.

### 7.10.4.3 Unenroll

This function allows individual finger templates to be deleted from the reader database in standalone mode.



The selection of the finger template to be deleted can take place in one of the following ways.

- **Numpad**  
The template ID is entered on the virtual keypad.
- **Reader**  
The finger whose template is to be deleted must be placed on the reader.
- **List**  
The template ID is selected from a list.

### 7.10.4.4 Identification

This function allows identification of an individual. After calling the function, the finger has to be placed on the reader window. The associated ID is shown on the display.

### 7.10.4.5 List

This function lists all template IDs stored in the database.




---

The function is only available if the database contains fewer than 100 template IDs.

---

After selecting an ID, it can also be deleted by pressing 'Unenroll'.

### 7.10.4.6 Erase DB

This function allows all finger templates to be erased from the local database of the reader.

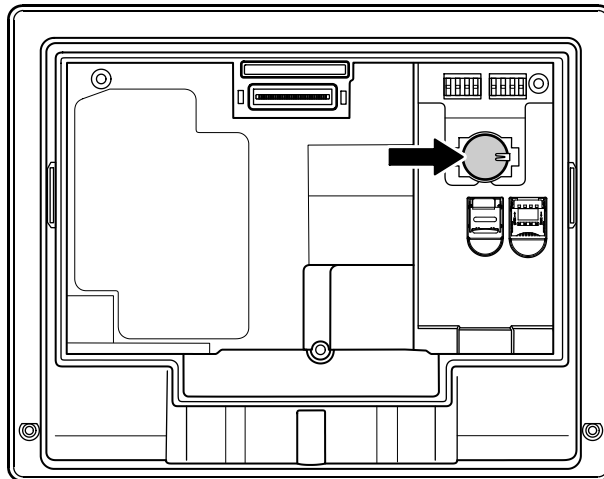
For safety reasons, you are prompted for a code. The Erase PIN is always '439235'.

# 8 Maintenance

## 8.1 Backup battery

To back up the real-time clock RTC, the device is equipped with a lithium manganese dioxide battery type CR2032.

The battery is located on the rear side of the terminal housing.



The backup battery must be replaced with a new one every 10 years.

### 8.1.1 Battery change



#### ⚠ CAUTION

**Lithium batteries can explode or burst explosively.**

Improper handling of lithium batteries may result in fires and explosions.

- Replace lithium batteries only with batteries of the same type.
- Do not open, drill through or squash lithium batteries.
- Do not burn lithium batteries or expose them to high temperatures.
- Do not short-circuit lithium batteries.
- Do not recharge lithium batteries.

1. Remove the terminal housing from the docking station.
2. Remove UPS510 [▶ 5.5](#) (if present)
3. **NOTE:** Do not use tools such as a screwdriver and the like.  
Remove the old backup battery carefully by hand from the battery holder.
4. Push the new battery into the holder until it snaps into place.
5. Mount UPS510 (if present) again.
6. Fasten the terminal housing again to the docking station.
7. Reset terminal time.

## 8.2 Replacement of the uninterruptible power supply UPS510

---



To guarantee the buffer time as specified in the technical data, the uninterruptible power supply UPS510 has to be replaced every 3 years with a new one.

---

Perform dismounting and mounting of the uninterruptible power supply UPS510 as described [\[► 5.5\]](#).

## 8.3 Cleaning the housing

To clean the housing, use a soft, lint-free cloth and a mild window cleaning agent!



### NOTICE

**Other agents may result in damage to the housing.**

Observe the following instructions in order to avoid producing damage to the housing and the reader window of the biometric reader (if present) during the cleaning process:

- Do not use alcohol, such as ethanol and isopropanol
  - Do not use aggressive solvents
  - Do not use cleaning agents with added powder
  - Avoid scratching and abrasive movements
-

## 8.4 Installation/Update of the terminal software

For the installation or update of the terminal software on the terminal, an installation tool is available. This so-called SFTP installer can be downloaded for the particular terminal software in the secured area of the dormakaba website (Extranet).

### Installation

For initial installation or in order to replace a faulty installation, a complete installation of the terminal software is required.

The installation process will reset any settings already made.

### Update

An update is performed in order to update the already existing terminal software to a new version.

During an update process, only the program files will be replaced. Existing settings are retained.

### 8.4.1 Data backup

Before an update or a new installation of the terminal software is made, the following data must be backed up.

- Device configuration and parametrization
- If specific layout adjustments are made, the 'interface.ini' file and pictures must be backed up on a local drive.

### 8.4.2 Preparing installation/update

- ✓ Authorization for access to dormakaba Extranet [▶ 1.5](#).
- 1. Download SFTP installer from dormakaba Extranet.
- 2. Unzip ZIP file to a local directory.
- 3. If the SSH key for SFTP access was changed:  
Copy relevant key file (\*.ppk) to the directory of the SFTP installer.  
In the 'Standard\_Software.ini' file, enter the file name of the key file under 'Key\_Path='.  
Format Key\_Path='<File name>.ppk'
- 4. Start the installation tool by double-clicking 'SFTP Installer.exe'.  
⇒ The first prompt of the user guidance is displayed.

### 8.4.3 Performing an update

1. Select the device type.
2. Select 'Update'.
3. Select terminal software (B-Client HR30)
4. Select add-ons (BaseApp + test program)
5. Enter IP address and SFTP access data.  
⇒ A summary of the installation data is displayed.
6. Start process.  
⇒ The process can take several minutes. Successful execution is confirmed by the installation tool.
7. Restart the device.  
⇒ The terminal software is now up-to-date.

### 8.4.4 Performing the installation

1. Select the device type.
2. Select 'Installation'
3. Select terminal software (B-Client HR30)
4. Select add-ons (BaseApp + test program)
5. Enter IP address and SFTP access data.
  - ⇒ A summary of the installation data is displayed.
6. Start process.
  - ⇒ The process can take several minutes. Successful execution is confirmed by the installation tool.
7. Restart the device.
8. Start-up of the device:  
Perform host configuration, adjust reader settings in accordance with device configuration, and transfer parameter and master records to the device.

## 8.5 Android update

If an update of the operating system is required, it will be provided by the dormakaba Support in the form of the 'update.zip' file.

The 'update.zip' file is copied to the directory/cache of the terminal via SFTP.

The directory is interrogated by the system once a minute. If the file is detected, the operating system is updated automatically and then the terminal is restarted.



# 9 Packaging/Returns

Components and devices that are not correctly packaged could be damaged during transport and result in costs.

When sending dormakaba products, please observe the following notes.

Dormakaba is not liable for damage to products caused by inadequate packaging.

## 9.1 Complete devices

The original packaging is specially designed for the device. It offers the best possible protection against damage during transport.



---

When returning goods, always use the original packaging!

---

If this is not possible, please use packaging that prevents the device from being damaged.

- Use a sturdy, thick-walled transport box or a cardboard box. The transport box should be large enough that there is 8–10 cm space between the device and the edge of the container.
- Wrap the device in suitable material or put it in a bag.
- Put generous padding around the device, e.g. foam padding or air cushions. The device must not be able to move around within the packaging.
- Only use dust-free, environmentally-friendly packaging material.

## 9.2 Electronic components



ESD-sensitive electronic components such as printed circuit boards, readers etc. are to be stored, transported and shipped in suitable ESD protective packaging. Electronic components must only be packaged at ESD-proof work stations and carried out by people who are familiar with and apply the general ESD protective regulations.

Electronic components must be returned in packaging with sufficient ESD protection in order to

- make warranty claims in the event of malfunctions of any kind.
- Replacement of electronic printed circuit boards and components in the replacement procedure.

To ensure high quality standards, electronic components delivered in packaging without sufficient ESD protection will neither be analysed nor repaired, but rather forwarded on directly for disposal.

## 9.3 Labelling

Including all returns paperwork and labelling the package correctly enables us to process your case quickly. Please ensure that a delivery note is enclosed in each package. The delivery note should contain the following information:

- Number of devices or components in each package.
- Item numbers, serial numbers, designations.
- Address of your company/contact person.
- Reason for return, e.g. repair exchange.
- Accurate description of fault.

In the event of returns from outside of the EU, a customs invoice with the real customs value and customs tariff no. will also be required.

# 10 Disposal



This product complies with the WEEE directive and is, according to DIN EN standard 50419, marked with the WEEE symbol 'crossed-out wheeled bin'.

The symbol refers to separate disposal of electric and electronic devices in EU countries.



According to the European WEEE directive, the device must not be disposed of together with domestic waste.

The components of the device must be separately recycled or disposed of. Used devices contain valuable materials that must be recycled. Poisonous and dangerous components can cause lasting damage to the environment if disposed of improperly.

According to the German Electrical and Electronic Equipment Act (ElektroG), the system operator has the duty to return electrical and electronic equipment at the end of their lifetime free-of-charge to the manufacturer, point of sale or public collection points established for this purpose.

Disposal in Germany:

At the end of use of the goods supplied, Kaba GmbH will take them back for a proper disposal in accordance with the legal regulations (German Electrical and Electronic Equipment Act, ElektroG). Charges incurred for transport to the manufacturer will be at the expense of the owner of the waste electrical equipment.

Disposal in Switzerland:

The equipment must be returned to an electrical equipment collection point according to VREG.

In the EU, electrical and electronic equipment has to be disposed of according to national disposal and environmental legislation.

### Deletion of person-related data

Individuals are responsible for the deletion of their personal data.



### Dispose of packaging in accordance with environmental regulations.

The packaging materials can be recycled. Please do not dispose of the packaging with household waste, instead send them for recycling.

### Lithium batteries



To back up the real-time clock RTC, the device is equipped with a lithium manganese dioxide battery type CR2032.

The battery is located on the rear side of the terminal housing.

Remove battery before returning the device [▶ 8.1](#).

Do not dispose of the batteries in your domestic waste.

Used lithium batteries must be returned to a disposal system according to national and local regulations.

To prevent short circuits and the resulting heating, lithium batteries must not be stored or transported unprotected. Examples of suitable measures against short circuits include:

- Placing the battery in a plastic bag
- Covering poles with adhesive tape

See also safety instructions in Handling of lithium batteries [▶ 2.6](#).



### Uninterruptible power supply UPS510

The device is optionally equipped with the uninterruptible power supply UPS510.

The UPS510 contains an NiMH rechargeable battery.

Remove UPS before returning the device [▶ 5.5](#).

Do not dispose of the UPS in your domestic waste!

The UPS must be disposed of according to state and local regulations.

# Index

## Numerical

24 V DC power supply 17, 48

## A

Ambient conditions 17  
 Ambient temperature 17  
 Android 15  
 Android navigation keys 75  
 Android system settings 63  
 Android update 96  
 App management 83  
 Audio 15  
 Audio line-out 26  
 Authentication types 38  
 Authorizations 36  
 Automatic registration via B-COMM 55

## B

Back 75  
 BaseApp 33, 82  
 Basic safety information 11  
 B-Client HR30 33  
 B-COMM 37  
 BEX120 motherboard 30, 46  
 BEX121 motherboard 30, 48  
 BEX122 motherboard 30  
 Biometric reader 16, 76  
 Biometric software 37  
 Browser start 35

## C

Cable entry 43  
 Camera 15, 25  
 Cancelling automatic registration 55  
 Card slot 15, 26  
 CardLink 34, 40  
 CE conformity 21  
 Cleaning the housing 94  
 Communication principle 36  
 Conformity 21  
 Connecting an external reader 51  
 Connecting the mains voltage 46  
 Connections 46  
 Contact loading capacity 16, 50

CPU unit 15  
 CR2032 lithium battery 26

## D

Data encryption 34  
 Deleting finger templates 92  
 Device structure 24  
 Digital inputs 16, 49  
 Dimensional drawings 18  
 Dimensions 18  
 Display 15  
 Display brightness 67  
 Disposal 99  
 Docking station 27  
 Door control 34  
 Door frame contact 49  
 Door-opener push button 49

## E

EEPROMsetting 73  
 ElektroG 99  
 Enroll 90  
 ESD protective measures 13  
 Ethernet connection 26, 46  
 Ethernet interface 16  
 External reader 51

## F

Fastening material 45  
 Fastening the docking station 45  
 Finger position 76  
 Flash 25  
 Flush-mounted housing 20  
 FTCS 37

## G

Ground wire 48  
 GSM 16  
 Guard time 59

## H

Home 75  
 HSPE module 16

<b>I</b>		<b>O</b>	
Identification	38	Operating elements	74
IEEE 802.1x	66	Operating states	37
Info functions	88	Operating system	15
Ingress protection	17	Operating system update	96
Ingress protection according to IEC 60529	43	Outputs	16
Inputs	16, 49	<b>P</b>	
Installation lines	44	Packaging	97
Installation of the terminal software	95	Parametrization	36
Interfaces	16	Partner application	35
<b>K</b>		Power over Ethernet	17
Kaba test program	57	Power supply	17
<b>L</b>		Proper use	11
Language for service texts	57	Protective conductor	46
License file	33	Protective housing	19
Lithium battery	26	Proximity sensor	15, 25
Local Enrollment	89	<b>R</b>	
LocalEnrollment	34	Rating plate	23
Loudspeaker	15	Reader	16
<b>M</b>		Reader type	58
MAC address	88	Real-time clock RTC	93
Mains fuses	47	reboot.cmd	73
Mains input fuse	47	Registering fingerprints	90
Mains voltage input	17	Registering new fingerprints at the terminal	89
Manual settings	56	Relative humidity	17
Marking	23	Relay outputs	16, 50
Memory	15	Remote setup	73
Memory options	34	Replacement terminal	35
Menu	75	Replacing the backup battery	93
Microphone	15	Returns	97
microSD card	26	RFID reader	16, 76
Mobile radio	16	RoHS	21
Mounting height	41	RS-232	16, 51
Mounting plate	45	RTC	15
MRD reader	58	<b>S</b>	
Multimedia	15	Safety	11
<b>N</b>		Safety information	11
Native apps	35	Search	75
Navigation bar	75	Service language	57
Navigation keys	75	SFTP server	70
Network cable	44	SIM card	26
Network connection	46	sop.ini	33
Network requirements	54	SSH key	71
Network settings	64	Starting B-Client HR30	86
		Starting the application	82

Sun irradiation	41
Supplementary documentation	8
Surface-mounted protective metal housing	19
Swipe reader	77
Symbols	75
System	15
System connection	36

## T

Terminal housing	25
Terminal software update	95
Test program	33, 57
Time and attendance	33
Touch screen	15

## U

UMTS	16
Unenroll	92
Uninterruptible power supply	17, 52
Update of the terminal software	95
update.zip	96
UPS510	17, 52
USB	16
USB port	26
User interface	82

## V

Verification	38
Volume setting	67

## W

Washer	45
WEEE Directive	99
WLAN	16