

USERS MANUAL

SP-1001R Operating Instructions

1. INSTRUCTION MANUAL

TABLE OF CONTENTS

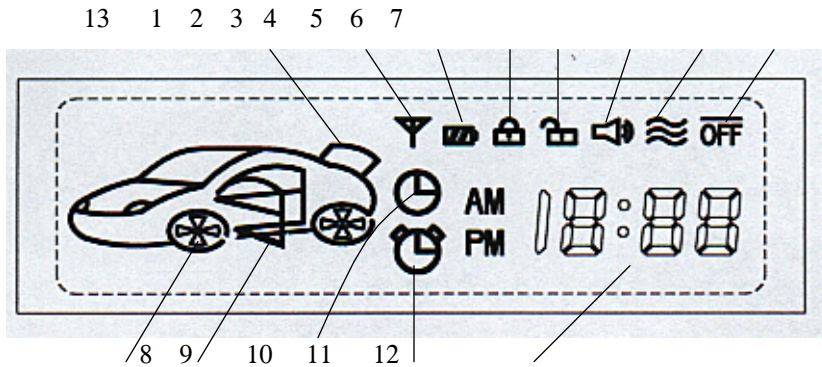
- 1-1. THE USE OF PAGER
 - 1-1-1. LCD DISPLAY OF PAGER
 - 1-1-2. INSERTING BATTERY INTO THE PAGER
 - 1-1-3. FUNCTION OF BUTTON
 - 1-1-4. THE USAGE OF MODE KEY
 - 1-1-5. THE USAGE OF PARKING TIMER
 - 1-1-6. THE EXCHANGE OF BATTERY
 - 1-1-7. RF RECEIVING ON/OFF
 - 1-1-8. HOW TO LEARN ID

1-1-9. THE OPERATION WHEN INSTALLED

1-1-10. ARM DELAY MODE

1-2. THE USE OF PAGER

1-2-1. LCD DISPLAY OF PAGER



- ANTENNA
- LOW BATTERY INDICATOR
- DOOR LOCK
- DOOR UNLOCK
- ALERT TONE
- VIBRATION
- RF RECEIVING ON/OFF
- CAR SHAPE (WHEN SHOCK-SENSOR IS TRIGGERED, ICON BLINKING)
- DOOR OPEN
- PARKING ALARM TIMER
- WAKE-UP TIMER
- CLOCK
- TRUNK OPEN

1-2-2. INSERTING BATTERY INTO THE PAGER

•A pager turns on all of LCD icons and backlight with alert tone and

vibration when the battery (AAA alkaline) is inserted into the pager.

•Please remove and re-insert the battery when receiver does not operate like this.

•The alert tone is repeated five times, but it is stopped instantly when any button on the receiver is pressed .

1-2-3. FUNCTION OF BUTTON

•The right button is MODE KEY which is used for the setting of each function and time.

•The left button is PARKING KEY which is used for parking timer.

1-2-4. THE USAGE OF MODE KEY

•The receiver enters into the change of MODE with beep tone when the

MODE KEY is pressed for more than 2 seconds.

•The procedure for the change of MODE is as follows.

- RF RECEIVING ON/OFF
- SELECT OF ALERT TONE or VIBRATION
- ADJUST OF CLOCK
- WAKE-UP ALARM ON/OFF
- ADJUST OF WAKE-UP ALARM TIME

•The left button will be used when the change of MODE is required.

•When the MODE-KEY is usually pressed shortly, the MODE-KEY is used

for the display of previous status or reset of current status.

1-2-5. THE USAGE OF PARKING TIMER

•The receiver enters into change of PARKING TIMER with beep tone when

the left button is pressed for more than 2 seconds. At that time, the

clock on the LCD will blank which enables the change of PARKING TIMER.

•At this mode, the left button is used to increase the hour or minute

when the icon is blanking and the right button is used to move the

blinking icon to the right.

•The icon of PARKING TIMER is blanking when the PARKING TIMER is being

operated The operation of PARKING TIMER is cancelled when the left

button is pressed for more than 2 seconds during the operation of

PARKING TIMER.

•The previous PARKING TIMER is memorized in the memory of the receiver. You can use the previous PARKING TIMER

when you press the left button

for more than 2 seconds.

1-2-6. THE EXCHANGE OF BATTERY

•Please exchange the current battery with new battery within 2 days

when the icon of low battery on the LCD is turned on.

•The receiver memorizes the CURRENT MODE, ALARM TIME, PARKING TIME and

ID into the memory of the receiver, but it does not memorize the

CURRENT TIME. When the battery is exchanged with new battery, you should re-adjust your clock on the receiver. The current time will be set to 12:00 when you change the battery.

1-2-7. RF RECEIVING ON/OFF

- The picture of car on the LCD will disappear when the receiver is set to OFF.
- The receiver cannot receive a call when the receiver is turned OFF or the ID CODE does not match.

1-2-8. HOW TO LEARN ID

- The receiver enters into the ID LEARNING mode when you press two buttons for more than 2 seconds simultaneously and then, it blinks. "Id" on the LCD. The receiver learns the ID and memorizes it if the receiver receives the transmitted signal from transmitter within 30 seconds. The transmitted signal from transmitter can be generated when DOOR LOCK, DOOR UNLOCK, TRUNK OPEN, SHOCK SENSOR, DOOR OPEN is sensed. When the receiver succeeded in ID learning, the receiver sends triple Short beep.

1-2-9. THE OPERATION WHEN INSTALLED

1-2-9-1. STANT-ALONE OPERATION

- The transmitter enters into ARM MODE after 30 seconds when the key is removed from the key box and the transmitter enters into DISARM MODE just after that the car is started by key.

MODE	PARAMETER	OPEERATION OF TRANSMITTER	LCD DISPLAY OF RECEIVER	ALERT TONE/ VIBRATION
ARM MODE	DOOR LOCK	Instant RF TX	'LOCK' ICON	SINGLE BEEP
	DOOR UNLOCK	Instant RF TX	'UNLOCK' ICON	DUAL BEEP
	TRUNK OPEN	Instant RF TX & SIREN	TRUNK OPEN	ALERT TONE (15 TIMES)
	SHOCK SENSOR	Instant RF TX & SIREN	BLINKING OF CAR SHAPE	ALERT TONE (15 TIMES)
	DOOR OPEN	30 second wait SIREN/STARTK ILL /RF TX	DOOR OPEN	ALERT TONE (15 TIMES)

DISARM MODE	DOOR LOCK	Instant TX	RF	'LOCK' ICON	SINGLE BEEP
	DOOR UNLOCK	Instant TX	RF	'UNLOCK' ICON	DUAL BEEP

1-2-9-2. OPERATION INSTALLED WITH CAR ALARM

•The transmitter enters into ARM MODE if it receives ARM INPUT from CAR ALARM and enters into DISARM MODE if it does not receive ARM INPUT.

MODE	PARAMETER	OPERATION OF TRANSMITTER		LCD DISPLAY OF RECEIVER	ALERT TONE/ VIBRATION
ARM MODE	DOOR LOCK	Instant TX	RF	'LOCK' ICON	SINGLE BEEP
	DOOR UNLOCK	Instant TX	RF	'UNLOCK' ICON	DUAL BEEP
	REMOTE START	Instant TX	RF	BLINKING OF WHEEL	QUADRUPLE BEEP
	TRUNK OPEN	Instant TX & SIREN	RF	TRUNK OPEN	ALERT TONE (15 TIMES)
	SHOCK SENSOR	Instant TX & SIREN	RF	BLINKING OF CAR SHAPE	ALERT TONE (15 TIMES)
	DOOR OPEN	30 second wait SIREN/STARTKILL /RF TX		DOOR OPEN	ALERT TONE (15 TIMES)
DISARM MODE	DOOR LOCK	Instant TX	RF	'LOCK' ICON	SINGLE BEEP
	DOOR UNLOCK	Instant TX	RF	'UNLOCK' ICON	DUAL BEEP
	REMOTE START	Instant TX	RF	BLINKING OF WHEEL	QUADRUPLE BEEP

NOTE : The siren or START-KILL will be stopped instantly when the Transmitter enters into DISARM mode.

1-2-10. ARM DELAY MODE

•When the transmitter enters into ARM mode, it has on ARM DELAY mode between DISARM mode and ARM mode.

1-2-10-1. STAND-ALONE OPERATION

At the stand-alone operation, the transmitter has a 30 seconds

ARM DELAY.

The door-open and shock sensor do not operate during ARM DELAY.

1-2-10-2. OPERATION WITH CAR ALARM

The transmitter has a 5 seconds ARM DELAY in this operation.

The door lock and door unlock will operate during ARM DELAY.

1-3. INSTALLATION OF TRANSMITTER

1). Please connect all of input wires except BAT+, and then connect BAT+.

All of inputs should be in the normal condition (Door closed/Trunk

Closed/Shock sensor not-operated/START-IN not-operated/Door unlocked)

and then, BAT+ should be applied.

2). Please turn ON/OFF the more than 3 times during 5 seconds after BAT+

being applied, and then, the transmitter memorizes the condition of

input lines whether it is positive input or negative input. This

procedure should be done within 20 seconds after BAT+ being applied, otherwise the transmitter fetches the data from memory after 20 seconds and acts by the data.

3). The ACC input and START-IN (REMOTE START) are always positive input.

The ARM_INPUT is used to determine whether the transmitter is operated

STAND-ALONE or operated with CAR ALARM when installed.

4). OPERATION OF TRANSMITTER

- STAND-ALONE OPERATION

The transmitter will be operated STAND-ALONE when the ARMED-

INPUT is grounded before BAT+ being applied. At this mode, the

transmitter enters into ARM MODE when ACC INPUT is removed and it enters into DISARM MODE when ACC INPUT is applied.

- OPERATION WITH CAR ALARM

The transmitter will be operated with CAR ALARM when the ARMED-

INPUT is floated or connected to the ARMED-OUTPUT of

CAR ALARM.

At this mode, the transmitter enters into ARM MODE by ARMED-

OUTPUT being supplied from CAR ALARM.

- OPERATION OF EACH INPUT

When any input is sensed, the transmitter sends RF signal only

once. But the transmitter does not send RF signal when the door

or trunk is closed. The operation of each input is mentioned

both STAND-

ALONE and operation with CAR ALARM.

5).The receiver should do ID LEARNING, after the transmitter being

installed. When two keys are pressed simultaneously for more than 2

seconds, the receiver enters into ID LEARNING MODE with beep tone.

At that time, the receiver shows "Id"on the LCD. If it receives RF

signal from transmitter, the receiver decodes ID+DATA and memorizes it

into memory in receiver. When the receiver succeeds in ID LEARNING, the

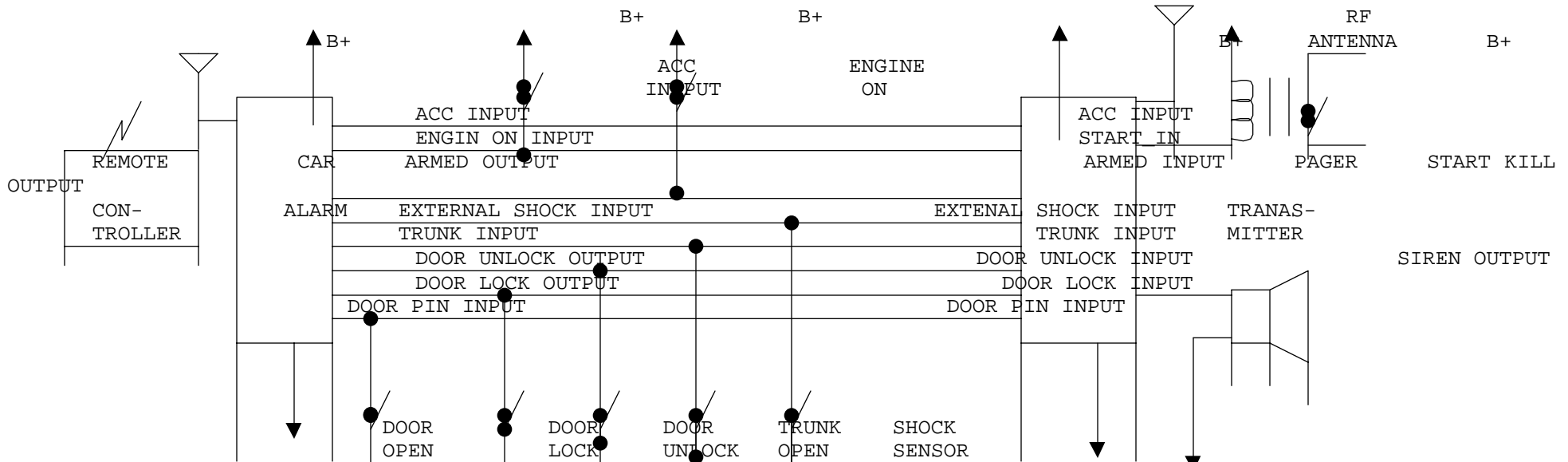
receiver sounds triple beep tone and ends ID LEARNING MODE.

When the receiver does not succeed in ID LEARNING for 30 seconds, it

ends the ID LEARNING MODE with single long beep.

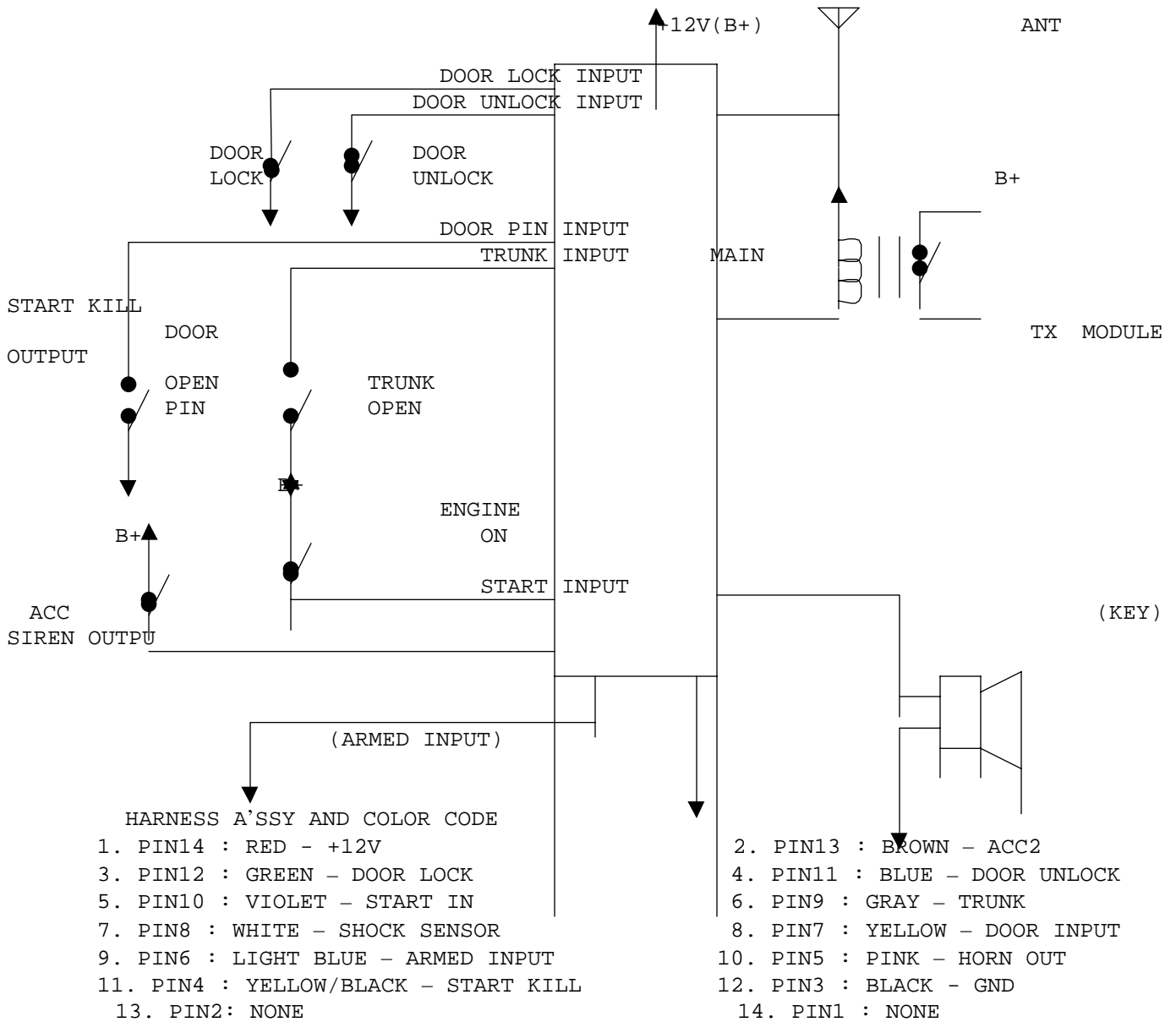
1-3. WIRING DIAGRAM

OPERATION WITH CAR ALARM



- | | | |
|--------------------------------|--------------------------------------|---------------------------------|
| 1. PIN14 : RED - +12V | 2. PIN13 : BROWN - ACC2 | 3. PIN12 : GREEN - DOOR LOCK |
| 4. PIN11 : BLUE - DOOR UNLOCK | 5. PIN10 : VIOLET - START IN | 6. PIN9 : GRAY - TRUNK |
| 7. PIN8 : WHITE - SHOCK SENSOR | 8. PIN7 : YELLOW - DOOR INPUT | 9. PIN6 : LIGHT BLUE - ARMED IN |
| 10. PIN5 : PINK - HORN OUT | 11. PIN4 : YELLOW/BLACK - START KILL | 12. PIN3 : BLACK - GND |
| 13. PIN2 : NONE | 14. PIN1 : NONE | |

STAND ALONE OPERATION



2. FCC Information

Caution : Any changes or modifications in construction of this device which are not expressly approved by the party responsible for compliance could void the user's authority to operate the equipment.

3. FCC Label Information

This device complies with part 15 of the FCC Rules. Operation is subject to the following two conditions:
 (1) This device may not cause harmful interference, and
 (2) this device must accept any interference received, including interference that may cause undesired operation.

DRAKE SYSTEMS

ACE TECHNO 804, YANGPYUNG, YOUNGDEUNGPO , SEOUL 150-103, KOREA
Tel : 82-2-2634-4700 Fax : 82-2-2634-4800

Πριντεδ ιν Κορεα