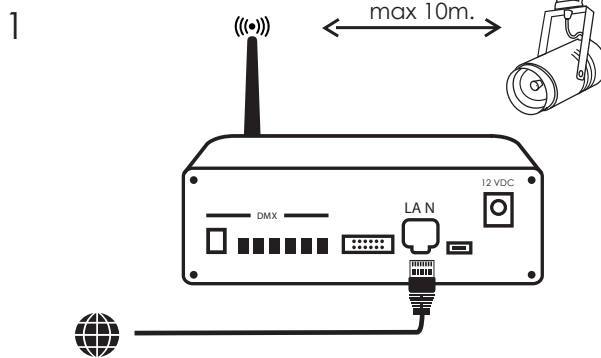
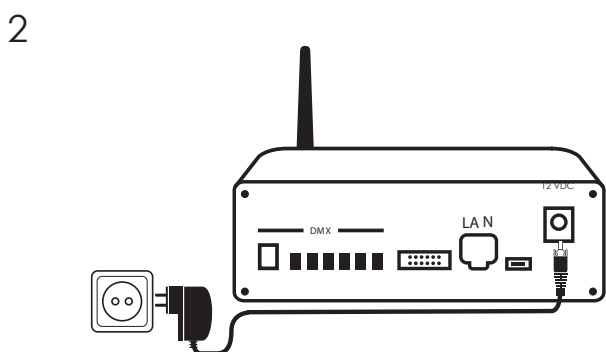


Masterspot 2 Track Quick Installation Guide

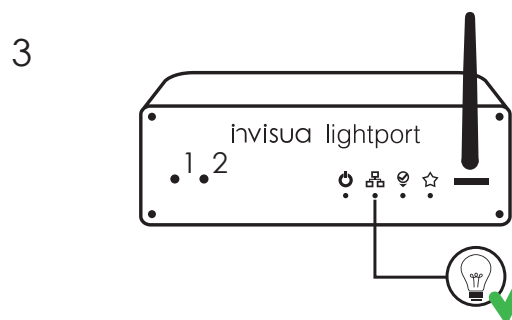
www.invisua.com



1 Connect the Invisua Lightport to your local network router (with internet access) via the supplied LAN cable. (Recommended maximum distance Lightport-fixtures: 10m. line of sight)

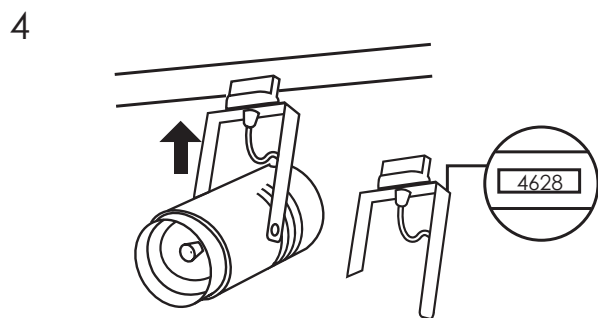


2 Power the Invisua Lightport via the supplied 12V power supply.

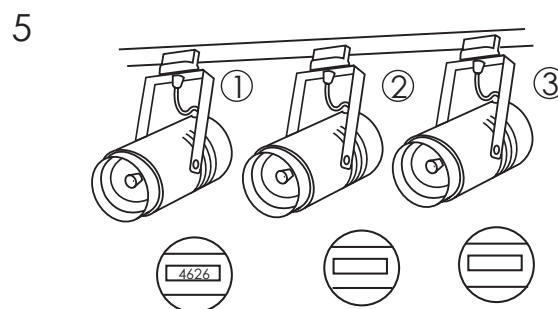


3 Verify that the second LED is ON to confirm internet connection. (Blinking indicates having an IP address obtained, full ON indicates internet connection)

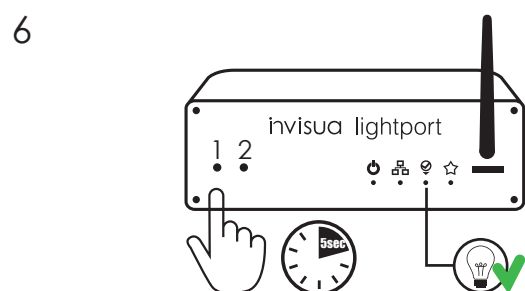
Check document "Network and Hardware recommendations" in case the second LED does not light up. (<http://main.invisua.com/en/downloads/>)



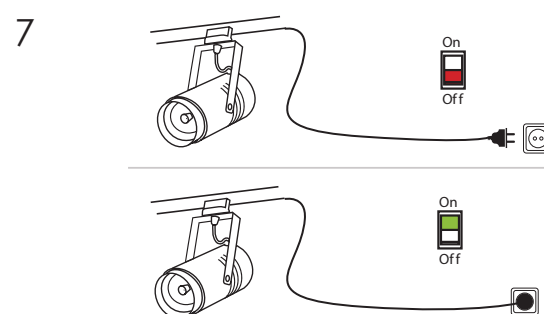
4 Mount all the Invisua Masterspot 2 Track fixtures on your track.



5 It is recommended to position the fixtures ordered by serial number. In that way the fixture sequence in Invisua Create will be identical.

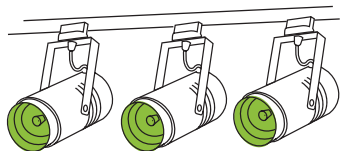


6 Press button #1 on the Lightport for 5 sec. to initiate commissioning of your system. (lamp indicator LED on the Lightport will turn ON)



7 Within 30 sec. after pressing button #2, turn the Masterspot 2 Track fixtures OFF and ON again, by disconnecting and reconnecting the 230V power.

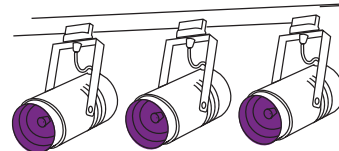
8



All fixtures should turn green for 1 sec and after some time, give white light. This confirms that the fixtures are on the right unique communication channel.

X If not all fixtures have turned green for 1 sec go back to step 6.

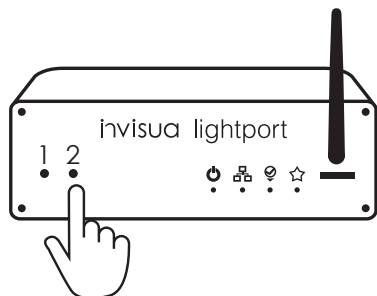
9



Please wait approx. 2 minutes. All fixtures should light up purple, to confirm that they have been discovered by the Lightport.

X If not all fixtures have turned purple go back to step 6, but if step 8 was successful, you can skip step 7 and 8

10

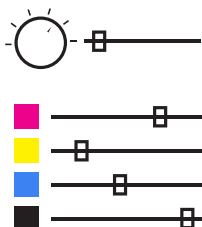


After all fixtures have lit up purple, testing your setup can be done by pressing button #2 on the Lightport, to toggle between some default light scenes.

11



By going to my.invisua.com, one of the pre-stored light scenes can be activated. With the color-picker the fixture(s) can be set to any white or RGB color instantly. (Make sure you are connected to the same network as the Invisua Lightport)



12

invisua create

Please visit www.create.invisua.com (via pc or tablet) to create your first light scenes!

(We strongly recommend you to follow the Invisua Create Tutorial once logged in to make yourself familiar with the system)

FCC Statement

This equipment has been tested and found to comply with the limits for a Class B digital device, pursuant to Part 15 of the FCC Rules. These limits are designed to provide reasonable protection against harmful interference in a residential installation.

This equipment generates, uses and can radiate radio frequency energy and, if not installed and used in accordance with the instructions, may cause harmful interference to radio communications. However, there is no guarantee that interference will not occur in a particular installation. If this equipment does cause harmful interference to radio or television reception, which can be determined by turning the equipment off and on, the user is encouraged to try to correct the interference by one of the following measures:

Reorient or relocate the receiving antenna.

Increase the separation between the equipment and receiver.

Connect the equipment into an outlet on a circuit different from that to which the receiver is connected.

Consult the dealer or an experienced radio/TV technician for help.

To assure continued compliance, any changes or modifications not expressly approved by the party responsible for compliance could void the user's authority to operate this equipment. (Example - use only shielded interface cables when connecting to computer or peripheral devices).

This device complies with Part 15 of the FCC Rules. Operation is subject to the following two conditions:

- (1) This device may not cause harmful interference, and
- (2) This device must accept any interference received, including interference that may cause undesired operation.

FCC Radiation Exposure Statement:

(if mobile device (generally 20 cm distance) is applicable, MPE calculation)

"This equipment complies with FCC RF radiation exposure limits set forth for an uncontrolled environment. The antenna(s) used for this transmitter must be installed to provide a separation distance of at least 20 cm from all persons and must not be co-located or operating in conjunction with any other antenna or transmitter".