

# Combio-915/120 V

Combio-915 JA 285000906

Combio-915 RM 285200906



## Operating Instructions

Please keep the instructions in a safe place.



## Instrucciones de servicio

¡Por favor, conserve estas instrucciones de servicio!



## Instruções de serviço

Por favor conserve as instruções em lugar seguro.

elero GmbH  
Antriebstechnik  
Linsenhofer Str. 59-63  
D-72660 Beuren  
Tel.: +49 (0) 7025-13-01  
Fax: +49 (0) 7025-13-212  
www.elero.com  
info@elero.de

**Safety tips** ..... USA/CA- 2

**General** ..... USA/CA- 3

**Use in accordance with the regulations** ..... USA/CA- 3

**Optimal use of the radio signal** ..... USA/CA- 4

**Mounting options** ..... USA/CA- 5

    Combio-915 JA for venetian blind drives ..... USA/CA-6

    Combio-915 RM for tubular motors ..... USA/CA- 7

**Connection and installation** ..... USA/CA- 8

    Combio-915 JA for venetian blind drives ..... USA/CA- 8

    The Combio-915 RM for elero tubular motors  
    with plug-in cable (limit switch drive) ..... USA/CA- 9

    Combio-915 RM for tubular motors with  
    plug-in cable (ACS-E electronic drive)..... USA/CA-10

    Combio-915 RM for tubular motors  
    with fixed cable (limit switch drive) ..... USA/CA-11

    Combio-915 RM for elero tubular motors  
    with fixed cable (CSM-E electronic drive)  
    for textile sun protection..... USA/CA-12

**Technical data** ..... USA/CA-13

**Troubleshooting** ..... USA/CA-13

**EC-Declaration of conformity** ..... USA/CA-14



**Warning!**



**Important safety indications!  
Observe the following Instructions.**

Danger of injury due to electric shocks. Connections to the 120 V mains supply **must** be carried out by authorized, specialized personnel.

- Check the installations regularly for wear and tear or damage.
- The regulations stipulated by the local power supply company should be observed during connection work, as well as the regulations for wet and damp areas in accordance with NFPA.
- Observe country-specific regulations.
- Only use unaltered **elero** original parts.
- Ensure that nobody is within the vicinity of the installation until it is brought to a standstill.
- When carrying out work on the installation (e.g. maintenance), always disconnect the installation from the mains supply.
- Keep children away from controls.
- The control unit must be installed so that it is not exposed to rain.

### General information

The Combio-915 JA/RM radio receiver allows the extension of alternating current drives to a radio drive.

### Use in accordance with the regulations

The Combio-915 JA/RM can **only** be used for controlling roller shutters and sun protection systems such as venetian blinds.

- Please observe that radio equipment **cannot** be operated in areas with a high interference risk level (e.g. hospitals, airports).
- The remote control is only allowed for devices and installations in which a malfunction in the hand-held transmitter or the receiver does not represent a threat to persons, animals or things or for installations in which this risk is excluded by other safety systems.
- The user does not have any protection from interferences from other telecommunication and terminal equipment (e.g. including radio equipment which is operated in accordance with the corresponding regulations in the same frequency range).
- Connect radio receivers only to the devices and installations authorized by the manufacturer.

### Optimal use of the radio signal

- Do not bend the antenna.
- Do not shorten or extend the antenna.
- If reception is poor, adjust the antenna.
- Install the antenna so that it is as exposed as possible.
- Antenna is not to rest on metal.
- Using a number of receivers may cause interference.

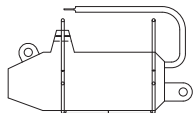
#### Note:

Radio installations which transmit with the same frequency can cause reception interferences.

Please observe that the radio signal range is restricted by the legislator and structural measures.

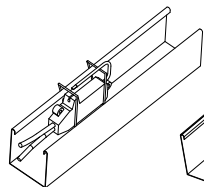
## Mounting options

### Combio-915 JA

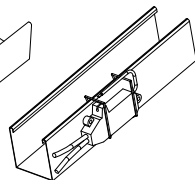


Combio with clip

1. Put the Combio-915 into the mounting clamp.



Combio with clip inner

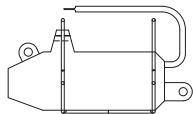


Combio with clip outer

2. Fasten the Combio-915 JA + clamp to the inside or outside of the channel.

## Mounting options

### Combio-915 RM



Combio with clip

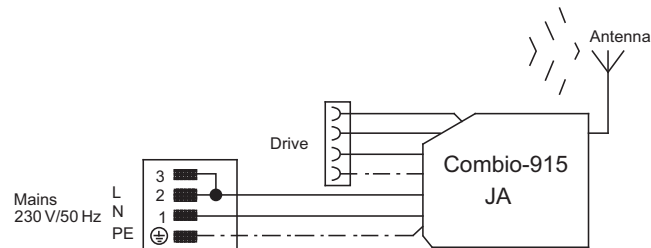
1. Stick the enclosed adhesive strip onto the Combio-915 RM.

## Combio-915 JA for venetian blind drives (28 500.0001)

The Combio-915 JA is suitable for the use with venetian blind drives.

In order to carry out an exact slat tilting, the Combio-915 JA has a dead-man operating mode. If the button on the hand-held transmitter is pressed until the LED goes out, the receiver activates the self-locking operating mode.

The handheld transmitter can be used to save an intermediate position and tilting position for the slats (refer to the transmitter instructions).



**Note:** Do not shorten or lengthen the antenna.

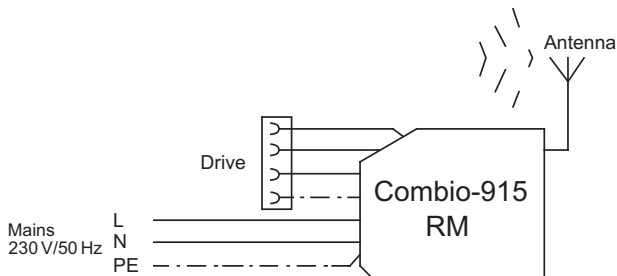
## Combio-915 RM for tubular motors (28 520.0001)

The Combio-915 is suitable for the use with tubular motors for roller shutters and sun protection systems.

If a command is sent, the receiver immediately activates the self-locking operating mode.

The hand-held transmitter can be used to program an intermediate position.

For sun protection systems it is possible to additionally program a fabric tautening and a ventilation position for roller shutters (► refer to the transmitter instructions).

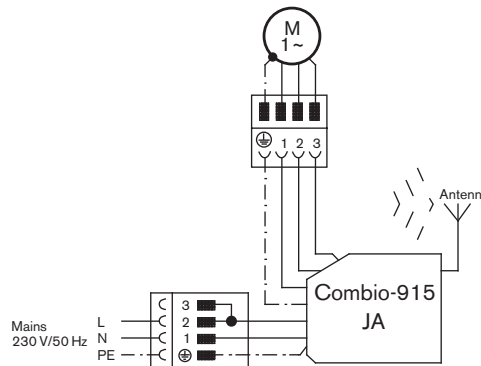


Pin designation	Wire colour
L	Brown
N	Blue
PE	Green/yellow

**Note:** Do not shorten or lengthen the antenna.

## Combio-915 JA for venetian blind drives

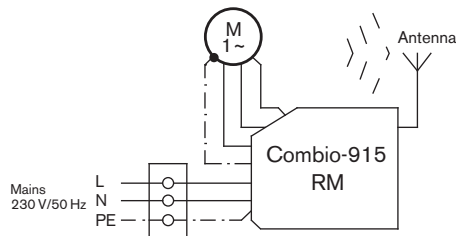
1. Put the drive into operation with the installation cable and set the upper and lower limit switch.
2. Move the hangings with the installation cable to an intermediate position.
3. Switch off the mains voltage.
4. Unplug the installation cable.
5. Connect the female Hirschmann-plug of the radio receiver with the drive plug.
6. Connect the Hirschmann-plug of the radio receiver with the female plug of the mains cable.



7. Fasten the radio receiver.
8. Switch the mains voltage on again.
9. Programme the transmitter (► refer to the transmitter instructions).

## The Combio-915 RM for elero tubular motors with plug-in cable (limit switch drive)

1. Switch off the mains voltage.
2. Press the locking mechanism of the drive plug towards the cable with a screwdriver.
3. Pull out the plug.
4. Plug the motor cable of the radio receiver into the drive.
5. Connect the mains cable of the Combio-915 RM correctly with the mains voltage.

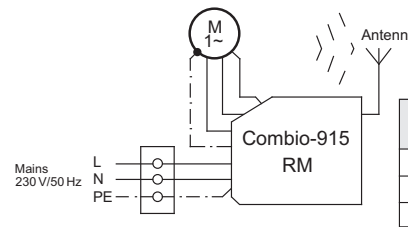


Pin designation	Wire colour
L	Brown
N	Blue
PE	Green/yellow

6. Fasten the radio receiver.
7. Switch the mains voltage on again.
8. Programme the transmitter (refer to the transmitter instructions).
9. Mount the hangings and set the limit switch.

## Combio-915 RM for tubular motors with plug-in cable (ACS-E electronic drive)

1. Switch off the mains voltage.
2. Press the locking mechanism of the drive plug towards the cable with a screwdriver.
3. Pull out the plug.
4. Plug the motor cable of the radio receiver into the drive.
5. Connect the mains cable of the Combio-915 RM correctly with the mains voltage.



Pin designation	Wire colour
L	Brown
N	Blue
PE	Green/yellow

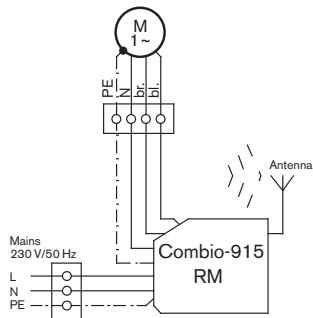
6. Fasten the radio receiver.
7. Switch the mains voltage on again.
8. Programme the transmitter (refer to the transmitter instructions).

**Note:** Rotate the winding shaft manually in the corresponding direction.

9. Mount the hangings and operate the drive in the self-programming mode.

## Combio-915 RM for tubular motors with fixed cable (limit switch drive)

1. Switch off the mains voltage.
2. Cut off the plug of the radio receiver.
3. Prepare the cable for connection (remove cable jacket and strip).
4. Connect the motor cable of the drive and the cable of the Combio-915 RM correctly (connect the same colours).
5. Connect the mains cable of the Combio-915 RM correctly with the mains voltage.



Pin designation	Wire colour
∇/Δ	Brown
Δ/∇	Black
N	Blue
PE	Green/yellow

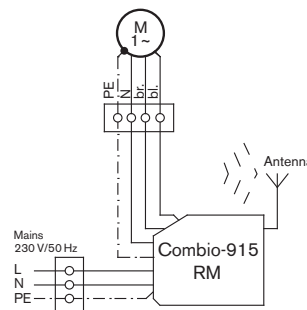
Pin designation	Wire colour
L	Brown
N	Blue
PE	Green/yellow

6. Fasten the radio receiver.
7. Switch the mains voltage on again.
8. Programme the transmitter (refer to the transmitter instructions).
9. Mount the hangings and set the limit switch, provided that the limit switches have not already been set using the installation cable.

## Combio-915 RM for elero tubular motors with fixed cable (CSM-E electronic drive) for textile sun protection.

**Note:** CSM-E drives must not be connected using the connector located on the Combio-915 RM.

1. Put the drive into operation with the installation cable (programme the end positions).
2. Move the hangings with the installation cable to an intermediate position.
3. **Switch off the mains voltage.**
4. Disconnect the installation cable.
5. Cut off the plug of the radio receiver.
6. Prepare the cable for connection (remove cable jacket and strip).
7. Connect the motor cable of the drive and the cable of the Combio-915 RM correctly (connect the same colours).
8. Connect the mains cable of the Combio-915 RM correctly with the mains voltage.



Pin designation	Wire colour
∇/Δ	Brown
Δ/∇	Black
N	Blue
PE	Green/yellow

Pin designation	Wire colour
L	Brown
N	Blue
PE	Green/yellow

10. Fasten the radio receiver.
11. Switch the mains voltage on again.
12. Programme the transmitter (refer to the transmitter instructions).

Technical data

	Combio-915 JA (venetian blind drives)	Combio-915 RM (tubular motors)
Nominal voltage	120 V	120 V
Frequency	60 Hz	60 Hz
Max.	450 W	450 W
Protection class	IP 54	IP 54
Permitted ambient temperature	-20 to +80°C	-20 to +80°C
Radio frequency	915 MHz frequency band	
Mains cable	0,5 m with Hirschmann plug	3 m
Motor cable	0,25 m with Hirschmann female plug	0,25 m with plug
Dimensions in mm	L 100 x B 44 x H 15	L 100 x B 44 x H 15
Max. number of transmitters	16	16

Troubleshooting

Problem	Cause	Solution
No radio reception	1. Transmitter is not programmed. 2. No mains voltage.	1. Program the transmitter. 2. Switch on the mains supply again.
Bad radio reception	Unsuitable receiver position.	Change the location of the receiver or the antenna.
Inverted sense of rotation	Sense are programmed incorrectly.	Delete transmitter and program correctly.

EC - DECLARATION OF CONFORMITY

We hereby declare that the following mentioned product/s meet/s the standards of the European Community.

Product designation: **ProLine**

- Combio-868/ -915/ -433 all versions
- VarioTec-868 /-915 all versions
- Revio-868 all versions
- AeroControl-868
- UniLogic-868/ -915

Description: Radio receiver for controlling roller shutters, blinds and other shading systems

The conformity of the above mentioned products with the relevant requirements is approved by the following directives and standards:

- EMC Directive 2004/108/EC
- EN 60335-1, EN 61000-6-2, EN 61000-6-3, EN 61000-4-5
- Low Voltage Directive 2006/95/EC
- EN 61000-4-4, EN 61000-4-2
- EN 61000-4-11, EN 61000-4-5
- R&TTE-Directives 1999/5/EC
- ETSI EN 301 489-3 V1.4.1
- ETSI EN 300 220-3 V2.3.1
- DIN EN 60730-1 (VDE 0631 part 1); EN 30730-1 +A1 +A2 +A11 bis A17
- DIN EN 60730-2-7 (VDE 0631 part 2-7); EN 60730-2-7 +A1 +A11 +A12 +A13 +A14

Beuren, 29.12.2009

*U. Seeker*

Ulrich Seeker  
– CE Officer –  
– Representative –

**elero GmbH**  
Antriebstechnik  
Linsenhofer Str. 59–63  
D-72660 Beuren