

## PRECAUTIONS



Before using the headset, turn the volume down to a mid-level or very low, then slowly adjust it to a comfortable level. Exposure to high volume sound levels may cause temporary or permanent damage to your hearing. You should always set your volume to moderate levels and avoid long exposure to high volume levels.

- Contains small parts. Not suitable for children under 7 years of age.
- Store in a dry & dust free area.
- Do not store in areas of extreme low (0°C) or high (40°C) temperatures.
- Avoid direct sunlight and heat sources.
- Do not allow the product to get wet or dirty; doing so may cause damage.
- Do not clean with benzene, paint thinner, acetone, alcohol, or other such solvents.
- Do not take the product apart; doing so will void your warranty and may cause electrical shock or damage to internal components.
- Please help to conserve the environment by recycling the cardboard packaging of this product.
- This product should NOT be disposed of in normal household waste. It should be disposed of separately. Please take it to an electrical waste collection point.

---

This product is covered by a one [1] year warranty.  
For full Terms and Conditions, and for Technical Assistance, go to :  
**[www.gioteck.com/contact-support](http://www.gioteck.com/contact-support)**

Activate your product warranty: **[www.gioteck.com/register](http://www.gioteck.com/register)**

For help with the set-up or operation of this product please  
go to: **GIOTECK.COM/CONTACT-SUPPORT**

## WELCOME

Thank you for buying the Gioteck FL400 Wireless Gaming Headset & Bluetooth® Speakers. These Headphones are designed to be convenient, stylish and provide high quality audio Playback from any Bluetooth enabled Audio Device or wired only device.

The FL400 Wireless Gaming Headset includes support via USB Dongle for PlayStation®4, PlayStation®3 and USB Audio for PCs and Macs that do not support Bluetooth.

The FL400 can be used in Bluetooth mode to receive telephone calls while in use and will automatically pause the audio playback in order to receive the call and when the call ends audio Playback will resume.

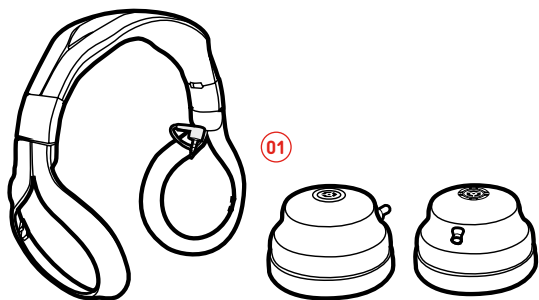
The FL400 can also be used as portable Bluetooth stereo speakers for enjoying music with friends or listening to movies together.

**Please read this User Guide thoroughly before use so that you can understand the setup and functions.**

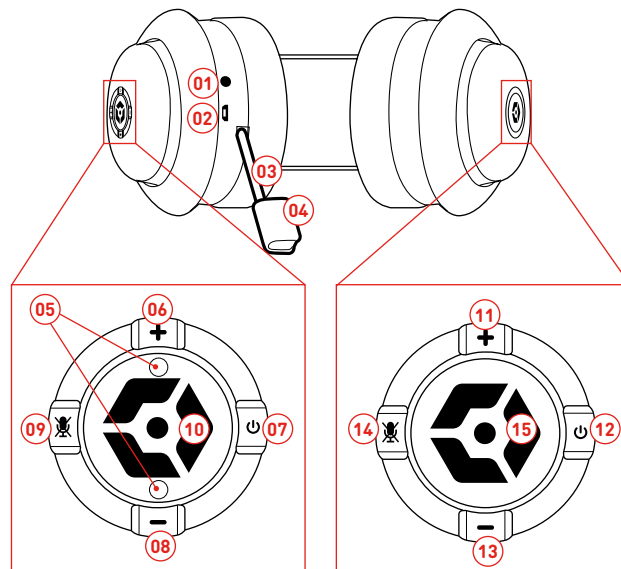
## CONTENTS

Please check your package contains the following items:

- 01] FL400 Gaming Headset & Bluetooth® Speakers
- 02] USB Charging Cable
- 03] 2 x 3.5MM Audio Cable
- 04] USB Dongle
- 05] User Guide



## PRODUCT FEATURES



### Left Earcup (Bluetooth® mode)

- 01] Audio Cable Port (Line IN)
- 02] USB Charging Port
- 03] Retractable Boom Microphone
- 04] Microphone Indication LED
- 05] Status LED
- 06] Volume Up
- 07] Power Button
- 08] Volume Down
- 09] Mute Button
- 10] Multi-Function Button

### Right Earcup (USB Mode)

- 11] Volume Up
- 12] Power Button
- 13] Volume Down
- 14] Mute Button
- 15] Multi-Function Button

## SETUP

**Note:** Please fully charge the battery before using for the first time. See "Charging the Headphones" section of this User Guide for details.

### TURNING THE HEADPHONES ON/OFF (BLUETOOTH MODE)

To turn the Headphones ON simply hold down the Power Button on the left ear cup for 5 seconds. The status LED Indicator on the earcup will flash three times, and you will hear a "Power On" voice through the Headphones. Repeat this process to turn the Headphones OFF ( and you will hear a "Power Off" voice through the Headphones.)

**Please note:** To conserve power, if the headset is not connected to a device for approximately 10 minutes, the headset will turn off automatically.

To reactivate the Headphone just push the power button.

### CONNECTING WITH BLUETOOTH®

- 1) Turn the Headphones ON by holding down the power button on the left earcup for 5 seconds. If no previously paired devices are found the headset will enter pairing mode immediately and say "pairing". Pairing mode is indicated by the Status LED on the earcups flashing blue. The headphones are now ready to connect to the device.
- 2) Go to the Bluetooth® option in the settings of your Bluetooth Audio device or Smartphone and select 'FL400' in the list of devices. You will hear a voice say "connected". The headphones are now ready to use.
- 3) On future use, the headphones should pair automatically within 10 seconds.

### CONNECTING PLAYSTATION®3/4, PC, MAC

- 1) Plug the USB Dongle into a USB port on the device you want to connect.
- 2) Turn the Headphones ON by holding down the power button on the Right Earcup for 5 seconds.
- 3) The headphones will automatically pair with the USB Dongle. You will hear a voice say "pairing" and the Status LED on the right earcups will flash Red. The Headphones are now ready to connect to the device.

For specific setup instructions for your chosen device please refer to the instructions below:

#### PC

Sound > Start > Control Panel > Hardware and Sound > Manage Audio Devices. On the Playback and Recording tabs select 'Giateck FL400' as default in the application you are using.

#### MAC

System Preferences > Sound. Set Input and Output 'Giateck FL400'. Then select 'Giateck FL400' as default in the application you are using.

#### PS4

PS4 > Settings > Devices > Audio Devices > Output to headphones > 'All Audio'. Input and Output Device should also be set to 'Giateck FL400'.

#### PS3

Settings > Accessory Settings > Audio Device Settings > Choose the 'Giateck FL400' as INPUT & OUTPUT.

**PLEASE NOTE:** When the FL400 is connected to the USB Dongle, **Volume Up, Volume Down and Mute functions are operated with the controls on the RIGHT EARCUP.**

### CONNECTING XBOX ONE®

Use the 3.5mm Audio Xbox One® cable for this connection and plug the audio cable into the **left earcup of the FL400** and the other end into the controller. NOTE: Older Xbox One® controllers will require the Microsoft® Stereo Headset Adapter (sold separately).

### CONNECTING WITH AUDIO CABLE

To connect the Headphones to devices that do not support Bluetooth®, for example Xbox One®, plug the provided 3.5MM Audio cable into the Headphone port on the left earcup and connect the other end of the cable into the audio device.

**Please note:** This allows you to use the Headphones in places where wireless signals are restricted.

## HEADPHONE FUNCTIONALITY (BLUETOOTH® MODE)

### +/- ADJUSTING VOLUME

Press the volume +/- key to adjust the volume. One short press will adjust one level. When the volume is adjusted the Headphones will play a tone each time the volume is adjusted. A tone will also sound when the volume reaches its maximum or minimum level.

### PLAY/PAUSE MUSIC

Press Multi-function Button one time to Play or Pause music.

### +/- PREVIOUS/NEXT SONG

When playing music you can press "Volume Up" button for 2 seconds to play next song and press "Volume Down" button for 2 seconds to play the previous song.

### MUTE FUNCTION

To mute the Headphones push the Mute Button, to unmute simply push the Button again. When the Microphone is muted the Microphone Indication LED will turn red.

### BASS BOOST (USB MODE ONLY)

Amplify the sound on the Gioteck FL400 by pressing the Multi-Function Button on the Right Earcup for 2 seconds. This will simulate a wider range of sound.

## VOICE CALL FUNCTIONS

When connected to a Bluetooth® Enabled Smartphone, the FL400 can function as a hands-free headset. **The operation of these features is via the LEFT EARCUP.**

### RECEIVING A PHONE CALL

If you are listening to music when there is incoming Phone call or you are making a Phone call, the Headphones will automatically switch the connection from the music player to the Phone. The Music will be paused temporarily. After you end the call, the music resumes.

To answer a call, push the Multi-function Button quickly.

To end the call, push the Multi-function Button quickly again.

**Note: When you press Multi-function Button to answer or end a call, please just press one time.**

### MAKING A PHONE CALL

- 1) Use the Phone's keypad to dial the phone number.
- 2) Press Phones "SEND" or "OK" key. The Phone begins the call and automatically transfers the call from the Phone to the FL400.

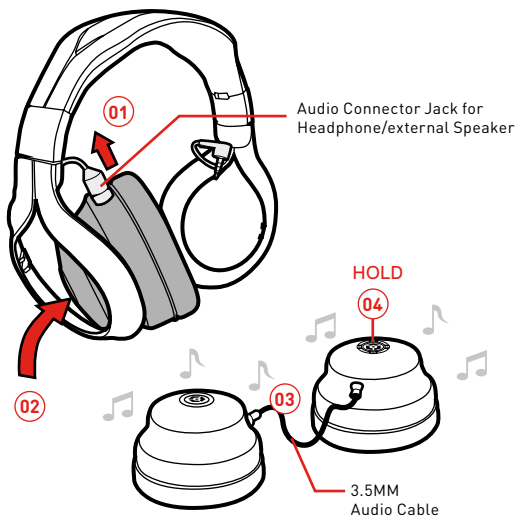
### MICROPHONE MUTE

In a call mode, press the Mute button on the FL400 Headphones, you can switch to open and close mute function. When in mute mode, the LED on the boom Microphone will illuminate RED.

## USING THE PORTABLE SPEAKERS (BLUETOOTH MODE)

To use the External Speaker function in Bluetooth mode, please follow this procedure;

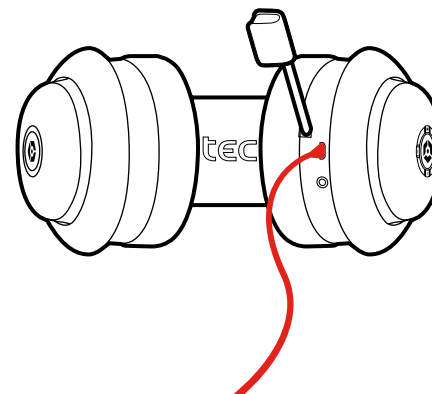
- 1) Disconnect the 2 fixed audio cables from the headband and both of the earcups.
- 2) Remove the earcups from the headband by carefully pulling them away from the Headband housing.
- 3) When the earcups are disconnected from the headband, use the provided 3.5mm audio cable to connect the left and right earcup speakers together through the fixed audio cable ports on the top of the earcups.
- 4) To enable the External Speaker Mode, hold the left earcup multi-function button for 2 Seconds. To change back to headphones mode hold the left earcup multi-function button for 2 Seconds.



## CHARGING THE HEADPHONES

- 1) To charge the Headphones, use the supplied USB cable and insert into any powered USB Port. Normal charging process takes 2-3 hours.
- 2) The red LED on the left Earcup will turn on when charging and will turn off when charging is complete.
- 3) Make sure the battery has been fully charged and fully released at the first three times of use to ensure the battery the best performance. After charging is complete, please remove the cable from the Headphones and the USB Cable from the USB port.

**⚠ Do not keep the Headphones connected to the USB port for a long time when charging complete as this will shorten the lifetime of the Battery.**



Australia only

This product is manufactured by GoodBetterBest ("GBB") of the United Kingdom. Our goods come with guarantees that cannot be excluded under the Australian Consumer Law. You are entitled to a replacement or refund for a major failure and for compensation for any other reasonably foreseeable loss or damage. You are also entitled to have the goods repaired or replaced if the goods fail to be of acceptable quality and the failure does not amount to a major failure. GBB warrants to the original consumer purchaser that the product will be free of defects in materials and/or workmanship for the length of time specified in the warranty period from the date of purchase, this being 1 Year, as set forth at : [www.gioteck.com/contact-support](http://www.gioteck.com/contact-support)

If a defect covered by this warranty occurs during the warranty period, GoodBetterBest at its option will repair or replace, at no charge, any part that GoodBetterBest determines to be defective. To make a warranty claim please contact GBB's Australian distributor, Turn Left Distribution at : [helpdesk@turnleft.biz](mailto:helpdesk@turnleft.biz) Turn Left Distribution is responsible for the servicing of warranty claims for purchases made in Australia. The purchaser will be required to bear the expense of sending the product back to the Australian distributor to claim the warranty. If you are unable to satisfactorily resolve your issue with the retailer, please contact GBB through its website at : [www.gioteck.com/contact-support](http://www.gioteck.com/contact-support) or alternatively, you can contact GBB directly at: GBB Limited, 103 Devonshire Business Centre, Works Road, Letchworth, SG6 1GJ, United Kingdom.

This warranty shall not apply if the product has been damaged by abuse, misuse, negligence, accident, modification, tampering or by any causes unrelated to defective materials and/or workmanship. Repair or replacement as provided under this warranty is GoodBetterBest exclusive prerogative. In order to obtain warranty services under certain circumstances (particularly when the retailer will not accept the return of the defective product), you may be required by GBB to return the product directly to GBB in the United Kingdom for inspection and evaluation, along with evidence of purchase (including the price paid and the date the item was purchased), for a determination of whether the warranty applies. If you have been asked by GBB to return the product to GBB in the United Kingdom, and the product is defective and covered under the applicable warranty period, GBB shall provide the appropriate warranty services. If the warranty does not apply (either due to misuse, damage, negligence, etc., or because the warranty period has expired), you may be charged to return the product to you (if you instruct us to do so). Any applicable implied warranties, including warranties of merchantability and fitness for a particular purpose are hereby limited to the length of time specified in the warranty periods below, beginning from the date of purchase and are subject to the conditions set forth in this limited warranty.

In no event shall GoodBetterBest be accountable for incidental damages resulting from the breach of any express or implied warranties. You may have different or additional legal rights, including longer warranty periods, which vary from jurisdiction to jurisdiction. Some jurisdictions do not allow certain limitations on how long an implied warranty lasts, so the above limitations may not apply to you. In addition, consumers have legal rights under applicable national legislation governing the sale of consumer goods. Such rights are not affected by the warranties set forth herein, except to the extent allowed by law.

Complies with  
IDA Standards  
DB100398



This product complies with the following legal regulations. For further information go to [www.gioteck.com](http://www.gioteck.com)

This device complies with Industry Canada RSS 210 standard(s). Operation is subject to the following two conditions: (1) this device may not cause interference, and (2) this device must accept any interference, including interference that may cause undesired operation of the device.

Caution: The user is cautioned that changes or modifications not expressly approved by the party responsible for compliance could void the user's authority to operate the equipment. This device complies with Part 15 of the FCC Rules. Operation is subject to the following two conditions: (1) this device may not cause harmful interference, and (2) this device must accept any interference received, including interference that may cause undesired operation. However, there is no guarantee that interference will not occur in a particular installation. The device and its antenna must not be co-located or operating in conjunction with any other antenna or Dongle. Gioteck are not responsible for any interference caused by un-authorized changes to this equipment. This equipment generates, uses, and can radiate radio frequency energy and, if not installed correctly, may cause harmful interference to radio communications. This equipment has been tested and found to comply with the limits for a Class B digital device, pursuant to part 15 of the FCC Rules. These limits are designed to provide reasonable protection against harmful interference in a residential installation. If this equipment does cause harmful interference to radio/television reception try the following:

- Reorient or relocate the receiving antenna.
- Increase the separation between the equipment and receiver.
- Connect the equipment into an outlet on a circuit different from that to which the receiver is connected.
- Consult the dealer or an experienced radio/TV technician for help. This equipment complies with FCC radiation exposure limits set forth for an uncontrolled environment. End user must follow the specific operating instructions for satisfying RF exposure compliance.

Cet appareil numérique de la classe B est conforme à la norme NMB-003 du Canada.



EN - Goodbetterbest Ltd hereby declares that this product is in compliance with the essential requirements and other provisions of Directive 2004/108/EC and R&TTe 1999/5/EC.

FR - Par ce document, Goodbetterbest Ltd déclare ce produit conforme aux critères fondamentaux et autres dispositions de la Directive 2004/108/EC et R&TTe 1999/5/EC.

DE - Goodbetterbest Ltd erklärt hiermit, dass dieses Produkt die Grundanforderungen sowie weitere Vorschriften der Richtlinie 2004/108/EC und R&TTe 1999/5/EC.

ES - Goodbetterbest Ltd declara que este producto cumple los requisitos esenciales y demás disposiciones de la Directiva 2004/108/EC y R&TTe 1999/5/EC.

IT - Goodbetterbest Ltd dichiara che questo prodotto soddisfa i requisiti essenziali e altre clausole della direttiva 2004/108/EC e R&TTe 1999/5/EC.

PT - Goodbetterbest Ltd declara que este produto cumpre os requisitos essenciais e outras provisões da Diretiva 2004/108/EC e R&TTe 1999/5/EC.



EN - This product should NOT be disposed of in normal household waste. It should be disposed of separately. Please take it to an electrical waste collection point.

DE - Dieses Produkt darf NICHT mit dem normalen Hausmüll, sondern gesondert entsorgt werden. Bitte bringen Sie es einer Entsorgungsstelle für Elektromüll.

ES - Este producto NO debe tirarse a la basura normal, sino por separado. Llévelo a un punto de recogida de desechos eléctricos.

FR - Ce produit NE doit PAS être jeté avec les ordures ménagères. Il doit être jeté à part. Veuillez le déposer à un point de récolte de déchets électriques.

PT - Este produto NÃO deve ser eliminado através do lixo doméstico normal. Deverá ser eliminado separadamente. Por favor leve-o para um ponto de coleta de reciclagem de eletrônicos.

IT - Questo prodotto NON può essere smaltito tra i rifiuti domestici, bensì separatamente: portarlo in un centro di trattamento dei rifiuti di apparecchiature elettriche ed elettroniche (RAEE).

gioteck ™