

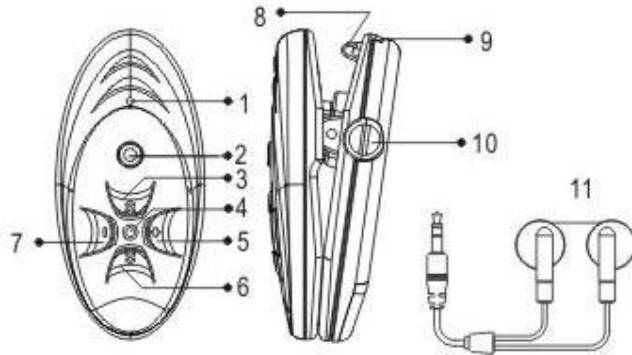
## U&I-16 Bluetooth Headset Manual

Bluetooth headset should be used with the compatible devices which support bluetooth wireless technology. This allows you the freedom to make any calls and enjoy the music streaming any time.

Please read this user manual carefully before using the headset, and also read your device's user manual regarding the bluetooth function, and pay attention to those important safety and maintenance information.

Please keep the headset away from children.

### Structure Sketch



- 1-Microphone
- 2-Multifunction Button(MFB)
- 3-Backward
- 4-Indicator Light
- 5-Volume Key + (V+)
- 6-Forward
- 7-Volume Key - (V-)
- 8-Strap Holder
- 9-Charging Socket
- 10-Audio Jack
- 11-Earpiece

### Specifications

Bluetooth Specification	V2.0+EDR
Bluetooth Profiles Supported	Headset , Handsfree , A2DP,AVRCP
Transmission Power	Class 2
Operation Range	Up to 10 Meters
Frequency Range	2.402~2.480GHz
Battery	Built-in Rechargeable 3.7V /130mAH Li-polymer Battery
Charging Voltage	DC5.0-6.5V
Charging Time	About 2 hours
Music Playing Time*	Up to 4 hours
Talk Time*	Up to 4 hours
Standby Time*	Up to 60 hours
Dimensions(mm)	L52 x W25 x H20
Weight	About 25g(with earpiece)

## **Basic Operations**

### **Charging Your Headset**

Prior to using the headset for the first time, please fully charge the battery. Insert the charger's plug into the headset's charging socket, and plug the usb cable to PC USB port.

2 hours are required to fully charge the headset.

The indicator light turns red while being charged, and will turn off automatically after being fully charged.

When the headset is running out of battery, the indicator light will flash red every 8 seconds(the headset will switch off automatically when the battery is drained) . Please charge the headset as above steps in time to prolong the battery's useful life (Charging indication will be delayed for a few minutes if the headset has not been used for a long time or the battery is drained).

Note:

Use only the supplied charger/USB charging cable to charge the headset, or could be dangerous.

Do not attempt to force open the built-in battery as this could damage the headset.

If left unused, a fully charged headset will lose its power automatically. It is recommended to charge the headset every three months.

Do not leave the headset in a too hot or too cold condition (best between 15°C and 25°C) which may affect the headset's operations.

Do not dispose of the headset into a fire and water.

### **Turning on the Headset**

In OFF MODE, press and hold MFB for 4 seconds until you hear a short beep and the indicator light flashes blue for 3 times, then the headset will enter into STANDBY MODE.

### **Turning off the Headset**

In ON MODE, press and hold MFB for 4 seconds until you hear a short beep and the indicator light flashes red for 3 times, then the headset will enter into OFF MODE.

### **Pairing Your Headset with a Bluetooth Mobile Phone**

- 1.Ensure the headset is off.
- 2.Press and hold MFB for about 6 seconds until the indicator light flashes blue and red alternately as PAIRING MODE.
- 3.Activate the bluetooth function on the phone, search bluetooth devices (See the user guide of your phone for instructions).
- 4.Select headset "U&I-16" from the found devices list of the phone.
- 5.Enter the passkey "0000", confirm to pair the headset with your phone. If successfully paired, the headset will beep. The headset enters into the STANDBY MODE, the indicator light flashes blue every 8 seconds(If the pairing cannot be completed within 5 minutes after the PAIRING MODE has been activated, the headset will enter into the STANDBY MODE. Repeat above steps to do the pairing again).
- 6.Ensure the distance between your headset and phone is within 10 meters, and without any obstacles. You can use the headset freely.
- 7.If the headset had paired with your phone but disconnected, it will paired automatically again when turns on within operation range.

**Answering/Ending a Call**

Press MFB once

**Rejecting a Call**

Press and hold V- for 2 seconds

**. Voice Dialing**

In STANDBY MODE, press MFB twice. Say the voice tag as soon as you hear the short beep(ensure your phone supports voice dialing function, and you have recorded the voice tag into your phone.)

**Last Number Redialing**

Press and hold MFB for 2 seconds

**Adjusting Volume**

Press V+ or V- to adjust the volume to meet your need

**Remote-control Functions**

Play/Pause

Press MFB once for music playing and press again to pause

**Forward**

Press button to drop out or forward to the next song

**Backward**

Press to backward or return back to the last song

Note: Ensure your paired devices support AVRCP Bluetooth Profile for remote-control functions.

**Disconnecting**

To disconnect the paired headset from your phone, please turn off the headset or disconnect the headset from the Bluetooth menu of your phone.

**Additional Statements**

Charge the headset under any status to a reset.

The headset will turn off automatically if it can not be paired with any devices within 20 minutes.

The headset will beep when operates successfully and this maybe too low to hear.

The above operations may vary due to different devices.

Manufacturer reserves the right to final explanation of all the above statements.

**FCC Information**

This device complies with Part 15 of the FCC rules.

Operation is subject to the following two conditions: (1) this device may not cause harmful interference, and (2) this device must accept any interference received; including interference that may cause undesired operation.

**Federal Communications Commission (FCC) Statement**

This Equipment has been tested and found to comply with the limits for a Class B digital device, pursuant to Part 15 of the FCC rules. These limits are designed to provide reasonable protection against harmful interference in a residential installation. This equipment generates, uses and can radiate radio frequency energy and, if not installed and used in accordance with the instructions, may cause harmful interference to radio communications. However, there is no guarantee that interference will not occur in a particular installation. If this equipment does cause harmful interference to radio or television reception, which can be determined by turning the equipment off and on, the user is encouraged to try to correct the interference by one or more of the following measures:

- Reorient or relocate the receiving antenna.
- Increase the separation between the equipment and receiver.
- Connect the equipment into an outlet on a circuit different from that to which the receiver is connected.
- Consult the dealer or an experienced radio/TV technician for help.

Warning: Changes or modifications to this unit not expressly approved by the party responsible for compliance could void the user authority to operate the equipment.

Tested to comply with FCC standard. FOR HOME OR OFFICE USE.

**Warning :**

This equipment complies with FCC RF radiation exposure limits set forth for an uncontrolled environment. & This device and its antenna(s) must not be co-located or conjunction with any other antenna or transmitter.