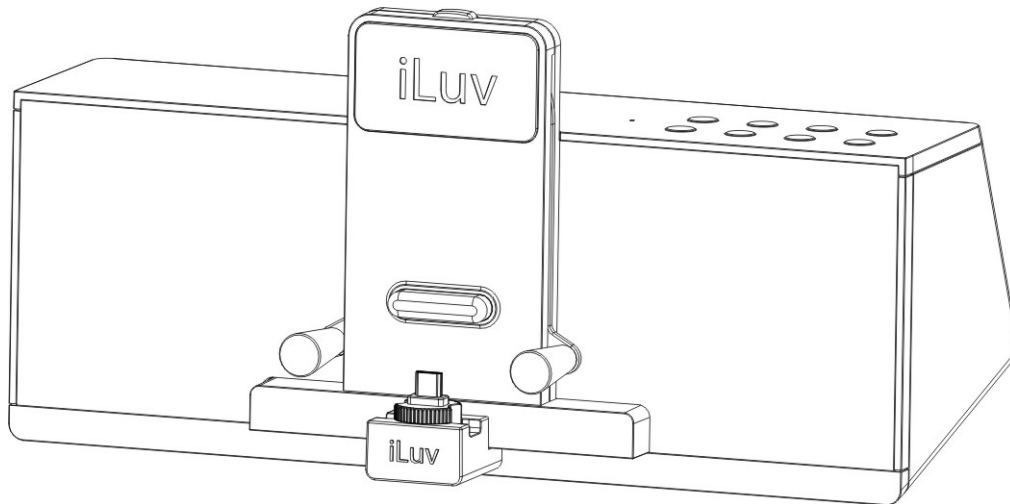


iMM377/iMM378/iSM378 | Instruction Manual

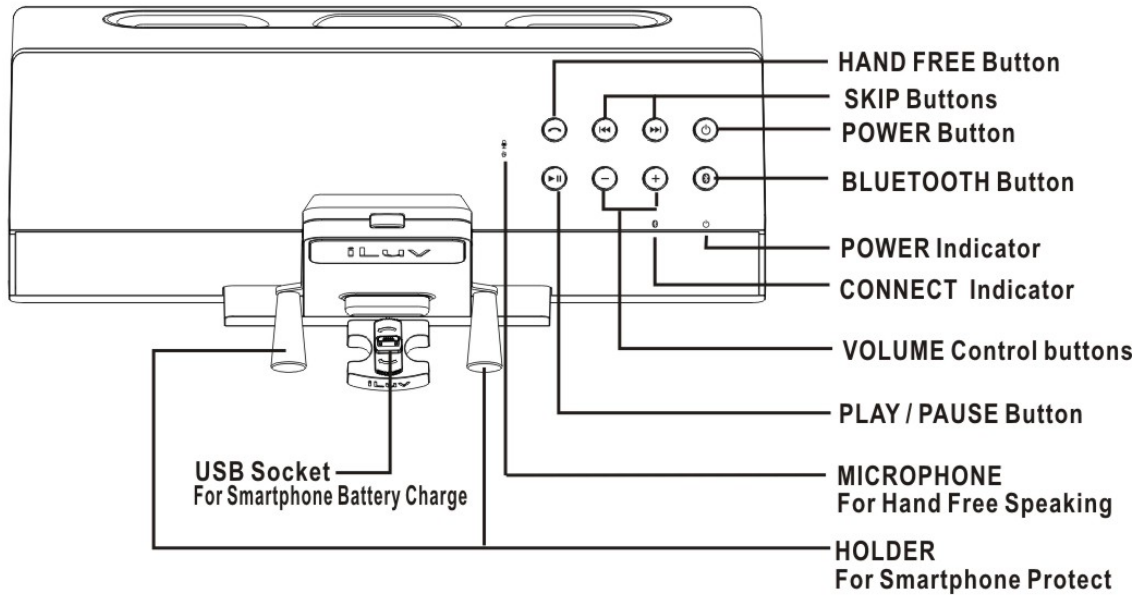
Please read before using this unit

Wireless Stereo Speaker Dock for Smartphone

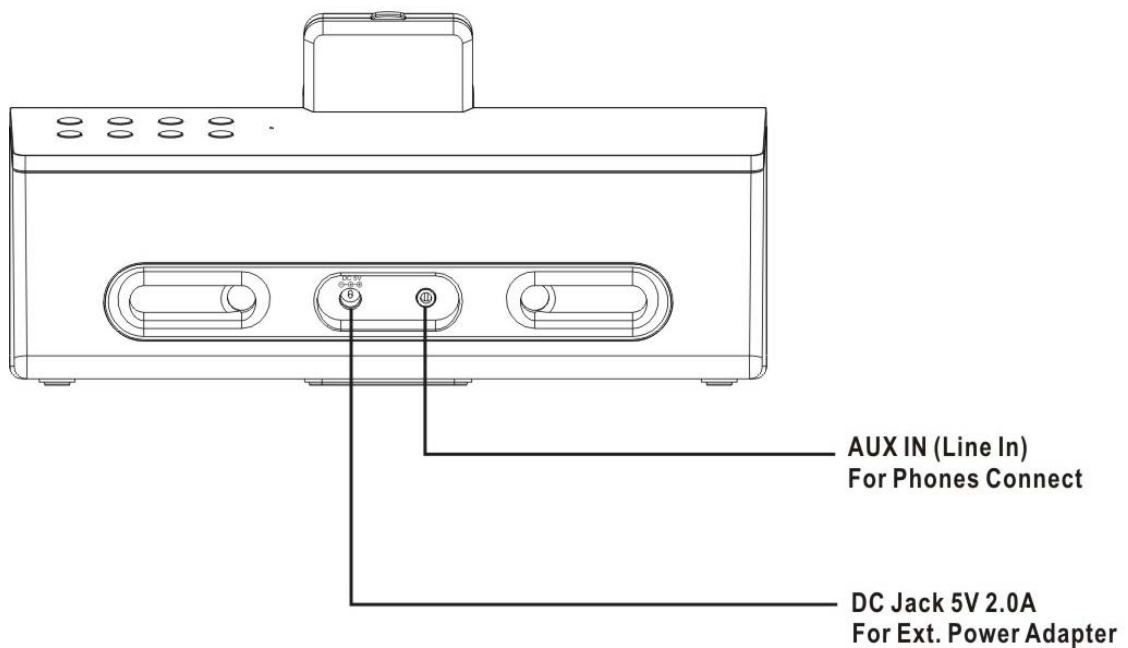


CONTROL LOCATION

TOP SIDE

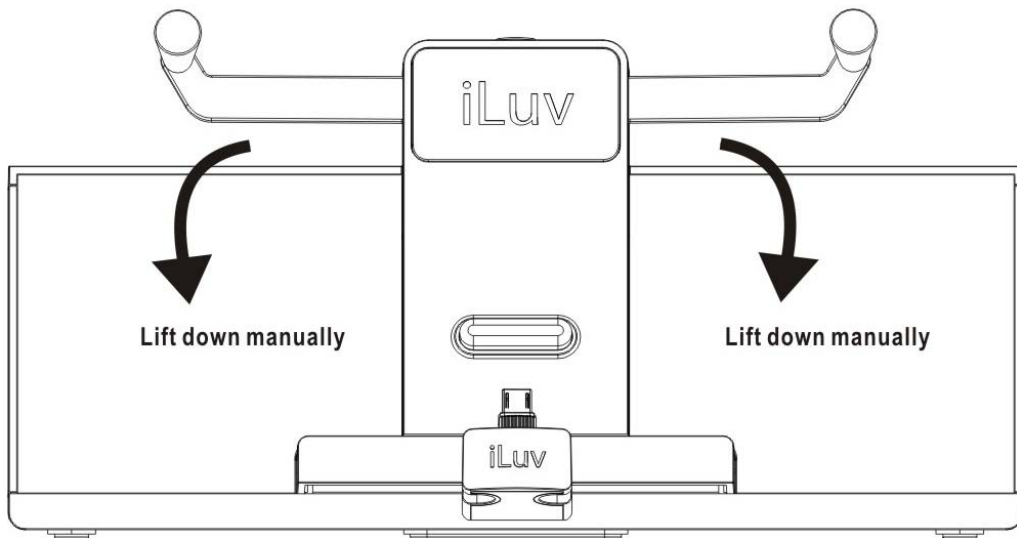
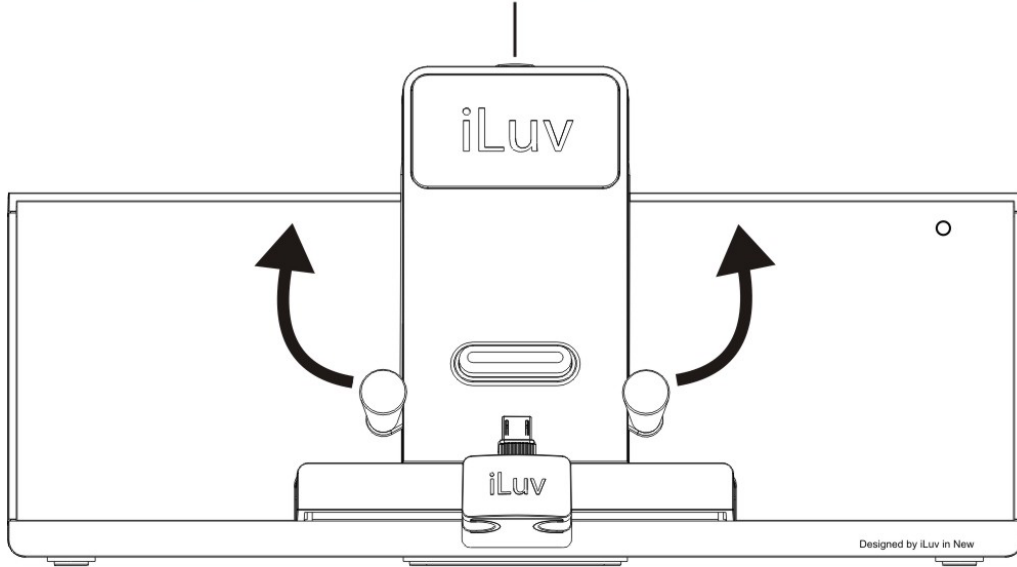


REAR SIDE



USING THE ARM HOLDER

Press and hold the button, the arm HOLDER will lift up automatically



FCC NOTE:

This device complies with Part 15 of the FCC Rules. Operation is subject to the follow:-

- 1) This device may not cause harmful interference, and
- 2) This device must accept any including interference that may cause undesired operation.

The manufacturer is not responsible for any radio or TV interference caused by uncouth. Such modifications could void the user's authority to operate the equipment.

BATTERY CHARGE

This **Bluetooth Speaker** can charge your Smartphone battery by **USB** socket follow below step:

1. Move **USB** socket of unit to left or right and rotate the angle to match your Smartphone.
2. Carefully connect **USB** to your Smartphone **USB** socket.
3. After connected, your Smartphone battery will charge automatically.

OPERATION (BLUETOOTH CONNECT)

You can connect your **Bluetooth Speaker** and Smartphone by Bluetooth.

1. Press the **POWER** button to turn on your **Bluetooth Speaker**.
2. Press **BLUETOOTH** button of your **Bluetooth Speaker** and the **CONNECT** indicator will flash.
3. Use your Smartphone to search name of Bluetooth (F-3088)
 - a) *If your mobile cannot search the name, press the **CONNECT** button again.*
4. After search the name, press icon (F-3088) of mobile to enter.
5. To choose **ALWAYS CONNECT** or **YES** and press to confirm.
6. Select music file from your Smartphone.
7. Press the **PLAY/PAUSE** button of main unit to start playing.
8. In music playing, press the **PLAY/PAUSE** button to pause playing and press again to resume.
9. Press **SKIP NEXT / SKIP PREVIOUS** button to select next or previous file playing.
10. Press **VOLUME** buttons to adjust the volume sound of **Bluetooth Speaker**.

HAND FREE FOR YOUR MOBILE

Your Bluetooth speaker has hand free function.

- 1) Follow **BLUETOOTH CONNECT** instruction.
- 2) If mobile call ring sounds, press the **HAND FREE** button once to answers the incoming call.
- 3) During incoming call, press the **HAND FREE** button once to disconnect the call.
If music playing before incoming call, the music will play again after disconnect the call.

Set up you line in port (AUX IN)

This will allow you to broadcast the external unit's sound through your **Bluetooth Speaker**.
CONNECTION:

1. Plug a 3.5mm audio cable (not included) into your MP3 or MP4 player phones jack or line out port and connect the other end (3.5mmjack) into the **AUX- IN** port at the rear of unit.
2. Make sure both units are turned on.
3. Set your device to start playing.
4. This will allow you to broadcast the external device sound through your unit's speakers.
5. Press **VOLUME** buttons to adjust the volume sound of **Bluetooth Speaker**.

FCC Note:

This device complies with Part 15 of the FCC Rules. Operation is subject to the following two conditions: (1) this device may not cause harmful interference, and (2) this device must accept any interference received, including interference that may cause undesired operation.

The manufacturer is not responsible for any radio or TV interference caused by unauthorized modifications to this equipment. Such modifications could void the user's authority to operate the equipment.

The antenna used for this transmitter must be installed to provide a separation distance of at least 20 cm from all persons and must not be co-located or operated in conjunction with any other antenna or transmitter.