

II Your bluetooth speaker

Product Introduction

The speaker can be used at home and outside, Both BT and AUX in Mode can play music , and then you can enjoy yourself from Wonderful music. The speaker has a 2500mAH built-in rechargeable lithium battery, it can play 3-4 hours after charge full

III Operational guideline

1、 Power on

Push the power switch 3second

2、 Connect your adapter to the speaker :

Charging by DC5V/2.5A adapter through Micro USB, it also can work with its built-in battery even though there is no charging adapter

3、 Operate Instruction

①Bluetooth LED indicator

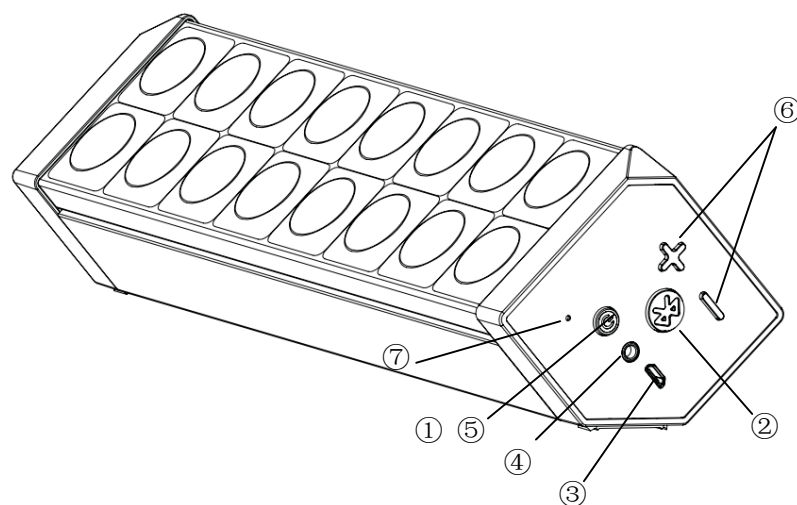
②Pairing / Play / Pause

③Micro USB port

④AUX IN

⑤Power on/off (Yellow Charging LED is below the power switch)

⑥Vol+ / - key



⑦Microphone

4、 BT & AUX IN Mode&MIC

BT Mode

- 1.Power up the unit , the speaker become quickly blink-blue LED with tone sound
- 2.Open your BT device , search for “MERKURY SPBB2” and then pair with it ,after connected , the speaker become slowly blink-blue LED with Tone Sound
- 3.After connected, you can play / pause music by short-press pairing key , and SPK unit’s battery level can be displayed in IOS system
- 4.After connected, also can control the music vol. by short or long press VOL+\\VOL- key as well as mobile phone vol. key as it is sync with SPK unit vol.

AUX IN Mode

Insert the ϕ 3.5 mm Audio line to the speaker ,you can play/pause music and control music volume through your final device

MIC

At BT mode , you can answer phone directly by pressing Speaker pairing key if there is a calling , you can also stop the phone by pressing pairing key after Answer the phone .

Note :

- ①.If your Bluetooth device version is below V2.0, pls input password “0000” To connect your speaker
- ②.Long-press the pairing key till BT led become quick blink-blue if you want to disconnect the current BT device and connect other BT devices
- ③.At BT mode ,if you insert the ϕ 3.5 mm Audio line to the Speaker, it will Become Aux in mode ; The speaker will return back to BT mode if you unplug the ϕ 3.5 mm Audio line
- ④.BT mode, speaker just can remember a paired device which is the last connect one. It can reconnect again after power off and on
- ⑤.At AUX in mode , it default the vol. is max. , VOL+\\VOL- of speaker can’t Control its volume

IV Charging

- 1、 Insert adapter through Micro USB to speaker , Yellow Charging LED become Long-light , it will shut down if charging full
- 2、 Charging time :5-6 H
Work time :3-4 H
(it almost depend on which kind of music you play and how many vol. it is)
- 3、 The SPK unit can also charge for smart device by USB OUT
Port

V The speaker parameter

Specificataion

Output power: 5W x2

Impedence:2ohm

FrequencyResponse:80Hz---20KHz

Separation:≥40dB

S/N: 65dB

Power Adaptor: DC5V/2.5A

Bluetooth parameter

Output Power: Max 4 dBm (Class 2)

Frequency Range :2.402 GHz - 2.480 GHz

Effective Distance :10M

Version :4.0

FCC Statement:

1. This device complies with Part 15 of the FCC Rules. Operation is subject to the following two conditions:

(1) This device may not cause harmful interference.

(2) This device must accept any interference received, including interference that may cause undesired operation.

2. Changes or modifications not expressly approved by the party responsible for compliance could void the user's authority to operate the equipment.

NOTE:

This equipment has been tested and found to comply with the limits for a Class B digital device, pursuant to Part 15 of the FCC Rules. These limits are designed to provide reasonable protection against harmful interference in a residential installation.

This equipment generates uses and can radiate radio frequency energy and, if not installed and used in accordance with the instructions, may cause harmful interference to radio communications. However, there is no guarantee that interference will not occur in a particular installation. If this equipment does cause harmful interference to radio or television reception, which can be determined by turning the equipment off and on, the user is encouraged to try to correct the interference by one or more of the following measures:

Reorient or relocate the receiving antenna.

Increase the separation between the equipment and receiver.

Connect the equipment into an outlet on a circuit different from that to which the receiver is connected.

Consult the dealer or an experienced radio/TV technician for help.