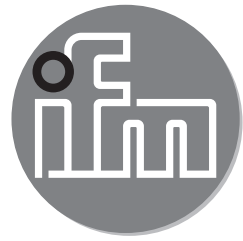


ifm electronic



Installation Instructions
RF-identification system
Read/write head

UK

efector190[®]

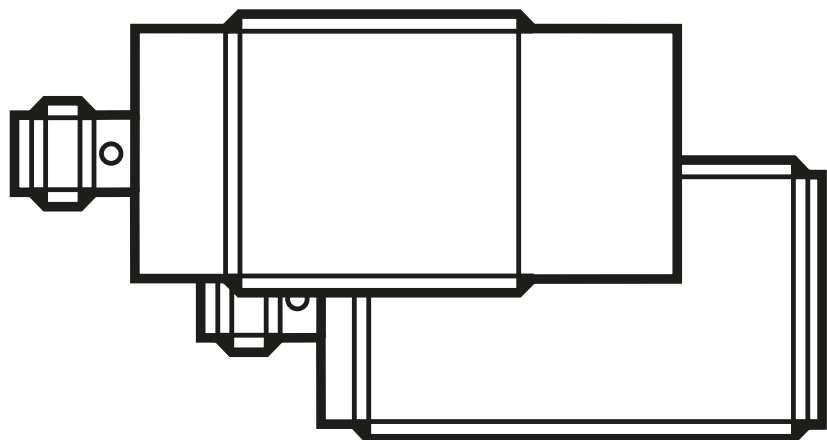
DTM434

DTM435

DTM436

DTM437

80231613 / 00 09 / 2015



Content

1	Preliminary note.....	4
1.1	Symbols used.....	4
1.2	Warnings used.....	4
2	Safety instructions	4
2.1	General.....	4
2.2	Radio equipment	5
2.3	Interference of electronic and medical devices	5
3	Functions and features	5
4	Function.....	5
4.1	Operating principle	5
4.2	Overview.....	6
5	Installation.....	6
5.1	General installation instructions.....	6
5.2	Notes on ID tag mounting.....	6
5.3	Avoiding interference	7
5.4	Mechanical design.....	7
5.5	Fixing example	7
5.6	Mounting distances.....	8
5.6.1	DTM434 / DTM436	8
5.6.2	DTM435 / DTM437	8
5.7	Positioning of the ID tags.....	9
5.7.1	DTM434 / DTM436	9
5.7.2	DTM435 / DTM437	9
6	Electrical connection.....	10
6.1	Wiring	10
6.2	CAN bus interface	10
6.3	cULus	10
7	Indicators	11
7.1	DTM434 / DTM435 (CANopen).....	11
7.2	DTM436 / DTM437 (J1939).....	12
8	Operation.....	13
8.1	CANopen devices (DTM434 / DTM435).....	13
8.2	J1939 devices (DTM436 / DTM437).....	13

9 Dimensions	13
10 Technical data	13
11 Maintenance, repair and disposal	14
12 Approvals/standards	14
12.1 Radio approvals.....	14
12.1.1 Overview.....	14
12.1.2 Europe	14
12.1.3 USA	14
12.1.4 Canada	15
12.1.5 Taiwan	15
12.1.6 Australia.....	15
12.1.7 EC declaration of conformity	15

UK

1 Preliminary note

This document is part of the device and contains information about the correct handling of the product.

This document is intended for specialists. These specialists are people who are qualified by their training and their experience to see risks and to avoid possible hazards that may be caused during operation or maintenance of the device.

Read this document before use to familiarise yourself with operating conditions, installation and operation. Keep this document during the entire duration of use of the device.

1.1 Symbols used

▶ Instructions

→ Cross-reference



Important note

Non-compliance may result in malfunction or interference.



Information

Supplementary note

1.2 Warnings used

ATTENTION

Warning of damage to property.

2 Safety instructions

2.1 General

Observe the operating instructions. Non-observance of the instructions, operation which is not in accordance with use as prescribed below, wrong installation or incorrect handling can affect the safety of operators and machinery.

The installation and connection must comply with the applicable national and international standards. Responsibility lies with the person installing the device.

The device must only be installed, connected and put into operation by a qualified electrician as the safe function of the device and machinery is only guaranteed when installation is correctly carried out.

Disconnect the device externally before handling it.

In case of malfunction of the device or uncertainties please contact the manufacturer. Any tampering with the device can seriously affect the safety of operators and machinery. This is not permitted and leads to an exclusion of liability and warranty.

2.2 Radio equipment

In general, radio equipment must not be used in the vicinity of petrol stations, fuel depots, chemical plants or blasting operations.

- ▶ Do not transport and store any flammable gases, liquids or explosive substances near the unit.

2.3 Interference of electronic and medical devices

Operation of the unit can affect the function of electronic devices that are not correctly shielded.

- ▶ Disconnect the device in the vicinity of medical equipment.
- ▶ Contact the manufacturer of the corresponding device in case of any interference.

3 Functions and features

The device is suited for non-contact reading and writing of system-compliant RFID tags (ID tags).

Data transmission is done via the CAN bus.

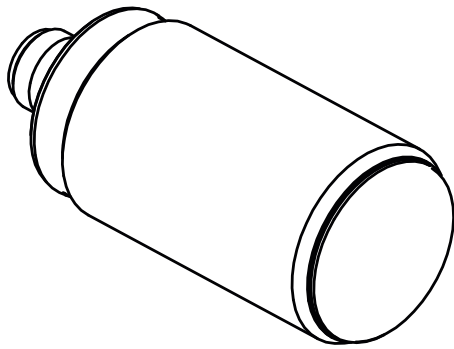
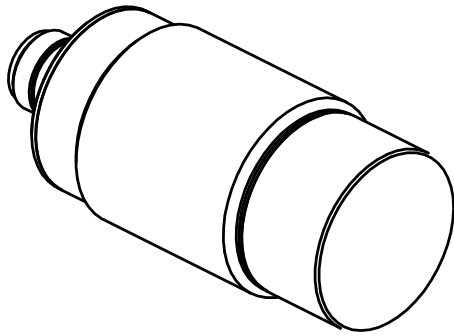
4 Function

4.1 Operating principle

The ID tags are operated passively, i.e. without battery. The energy required for operation is supplied by the read/write head.




The physical principle of the energy transfer is based on inductive coupling. The integrated antenna coil in the read/write head generates a magnetic field which partly penetrates the antenna coil of the ID tag. A voltage is generated by induction that supplies the data carrier with energy.

4.2 Overview

	<p>Art. no.: DTM434 / DTM436 Function: read/write head</p> <p>Operating frequency: 13.56 Mhz RFID standard: ISO15693 Type: M30, flush mountable</p>
	<p>Art. no.: DTM435 / DTM437 Function: read/write head</p> <p>Operating frequency: 13.56 Mhz RFID standard: ISO15693 Type: M30, non flush mountable</p>

5 Installation



5.1 General installation instructions

-  When mounting several read/write heads adhere to the minimum distances between the systems.
-  Flush mounting of a read/write head in metal reduces the read/write distance.
-  The immediate vicinity of powerful HF emission sources such as welding transformers or converters can affect operation of the read/write heads.

Information on the available mounting accessories is available on our website at:

www.ifm.com → Data sheet search → e.g. DTM434 → Accessories

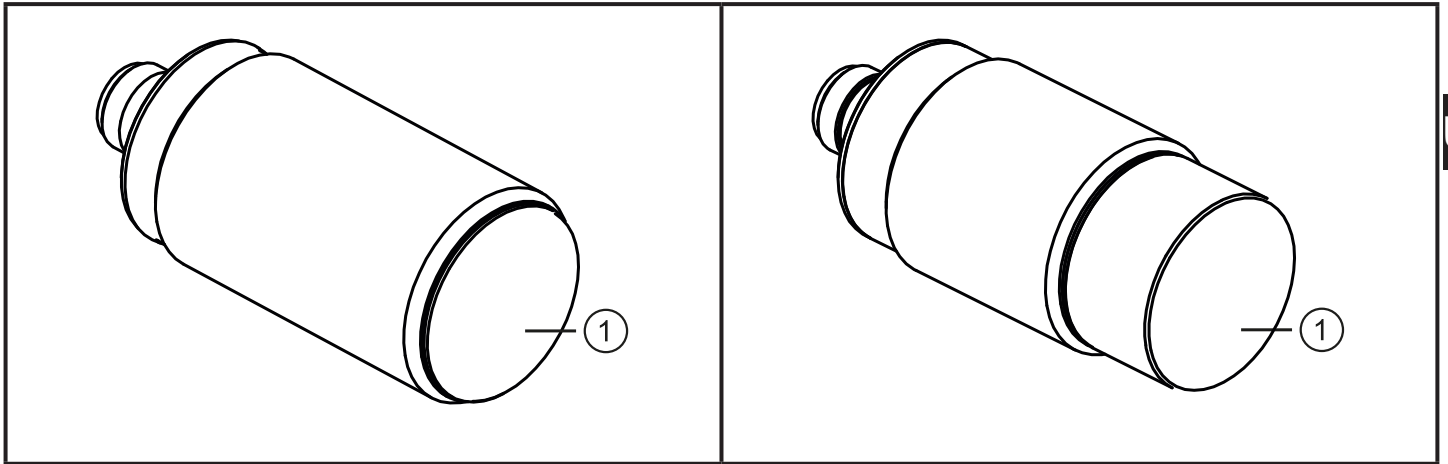
5.2 Notes on ID tag mounting

-  Installation of the ID tags in or on metal reduces the read and write distances.
-  The orientation of the read/write head antenna axis must correspond with the axis of the ID tag coil.

5.3 Avoiding interference

The device generates a modulated electrical field with a frequency of 13.56 MHz. To avoid interference of the data communication no other devices generating interference emission in this frequency band must be operated in its vicinity. Such devices are for example frequency converters and switched-mode power supplies.

5.4 Mechanical design

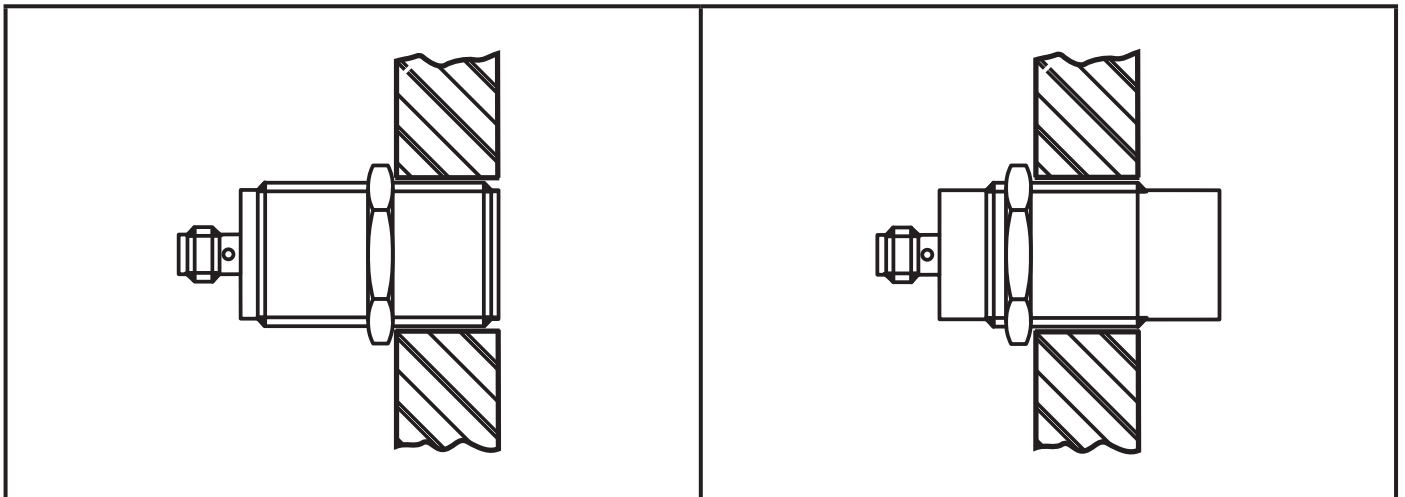


1: Sensing face (DTM434 / DTM436)

1: Sensing face (DTM435 / DTM437)

5.5 Fixing example

► Fix the device using the supplied nuts (M30).

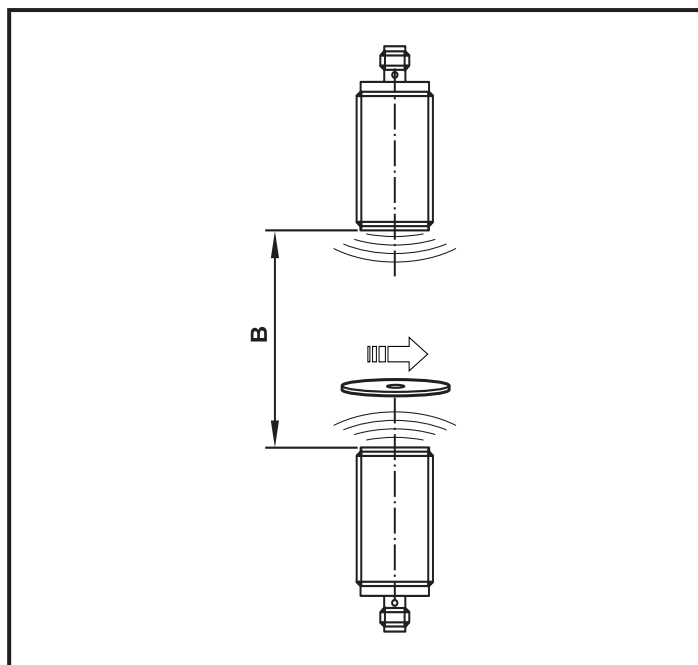
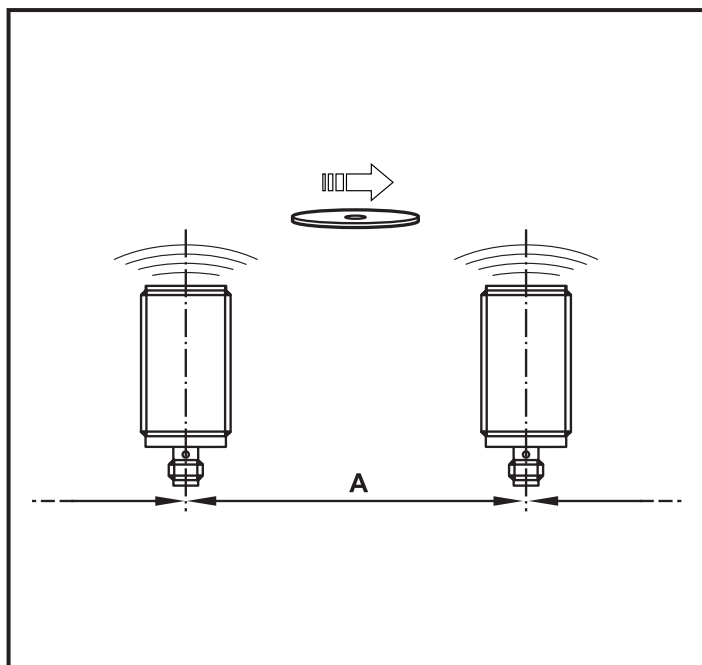


flush (DTM434 / DTM436)

non flush (DTM434 / DTM436)

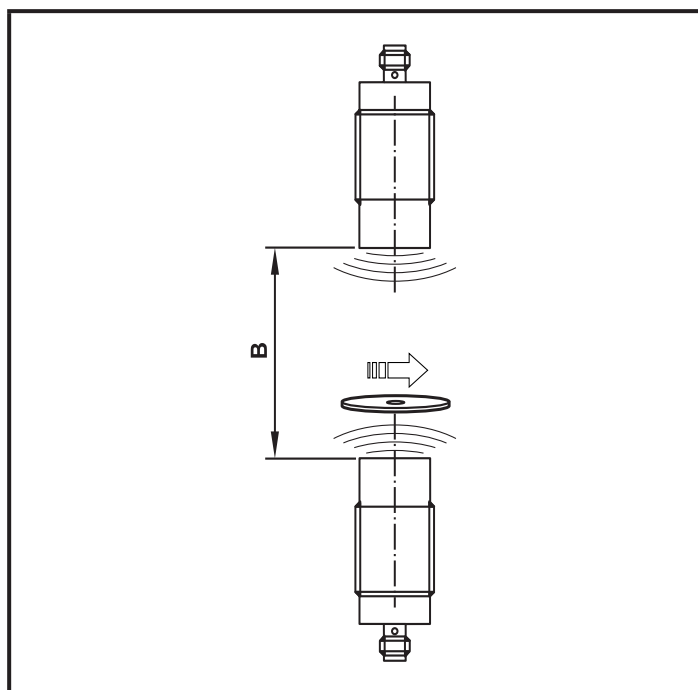
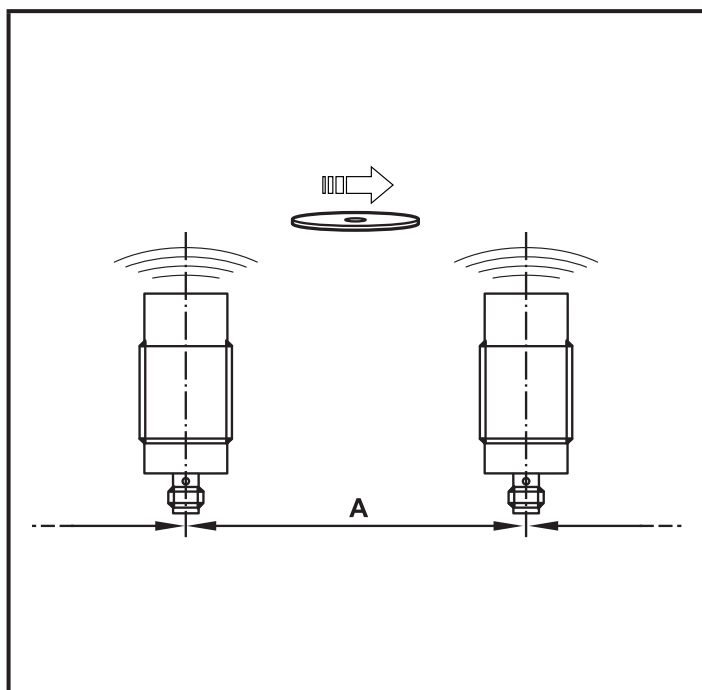
5.6 Mounting distances

5.6.1 DTM434 / DTM436



Operating mode	Distance side (A)	Distance front (B)
For reading and writing	≥ 60 mm	≥ 120 mm

5.6.2 DTM435 / DTM437



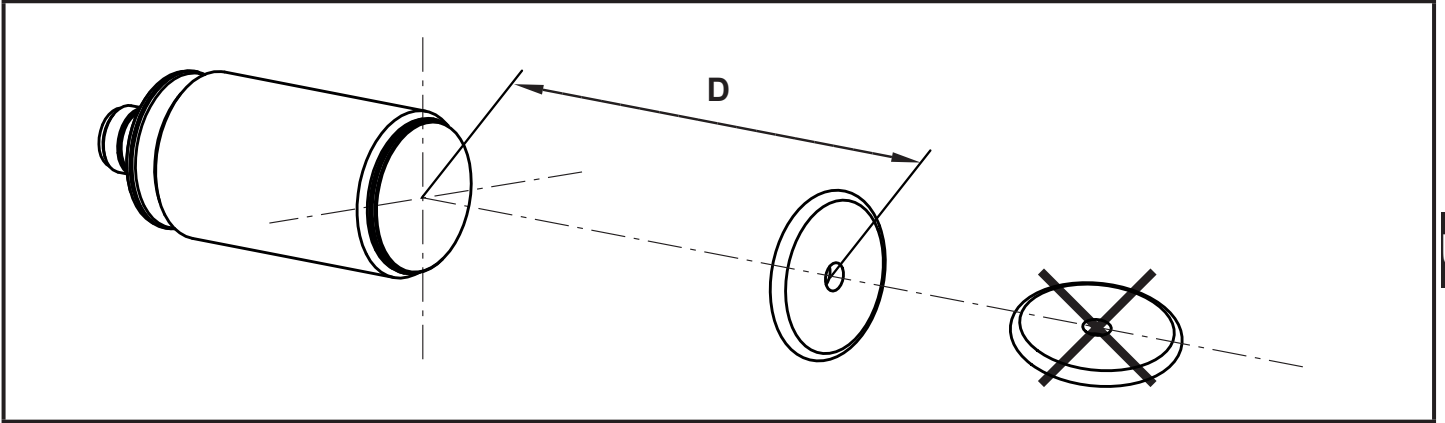
Operating mode	Distance side (A)	Distance front (B)
For reading and writing	≥ 100 mm	≥ 200 mm

5.7 Positioning of the ID tags


A selection of ID tags is available on our website at:

www.ifm.com → Product line → Identification systems → Tags

5.7.1 DTM434 / DTM436

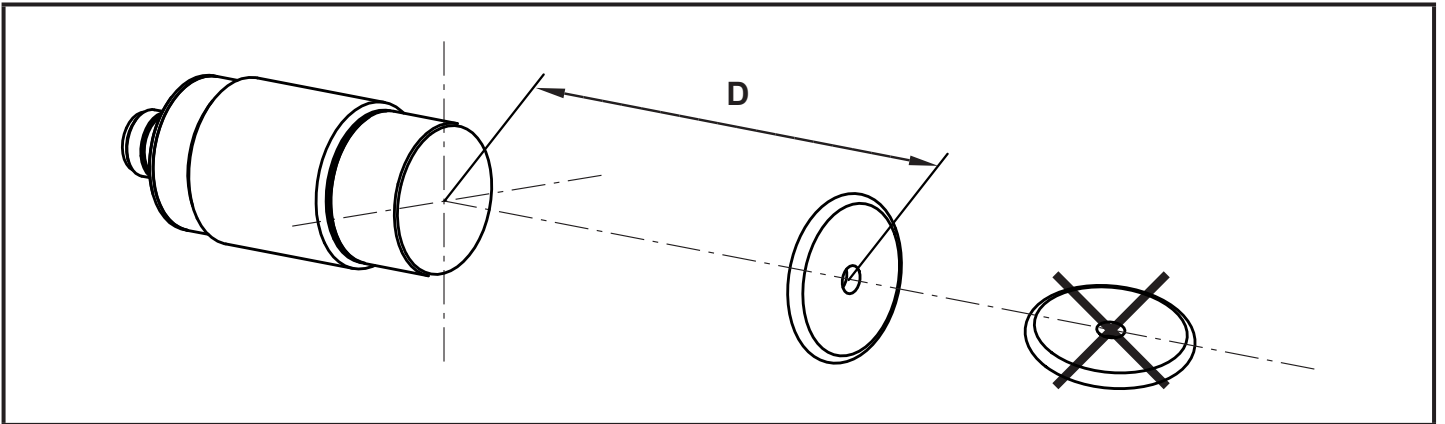


► Align the ID tag on the antenna central axis.


ID tag	Type	Distance read/write head (D)
		Plastics
E80371		30 mm

All indications apply to static read/write operations.

5.7.2 DTM435 / DTM437



► Align the ID tag on the antenna central axis.

ID tag	Type	Distance read/write head (D)
		Plastics
E80371		55 mm

All indications apply to static read/write operations.

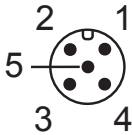
6 Electrical connection

ATTENTION

The unit must be connected by a qualified electrician.
Device of protection class III (PC III)
The electric supply must only be made via PELV/SELV circuits.
▶ Disconnect power before connecting the unit.

6.1 Wiring

The device has a 5-pole round M12 connector (A-coded). The pin connection corresponds to CiA DR-303-1.

 <p>M12 connector CAN</p>	<p>1: CAN shield 2: + UB 3: CAN_GND 4: CAN_H 5: CAN_L</p>	<p>Not connected Supply voltage GND H bus cable L bus cable</p>
--	---	---

A selection of sockets is available on our website at:

www.ifm.com → Data sheet search → e.g. DTM434 → Accessories

6.2 CAN bus interface

The device has a CAN interface.



Use cables that are approved for CAN bus. Terminate the cables using terminating resistors (120 Ω). Use ifm's EVC492 cable with integrated terminating resistor as an alternative.

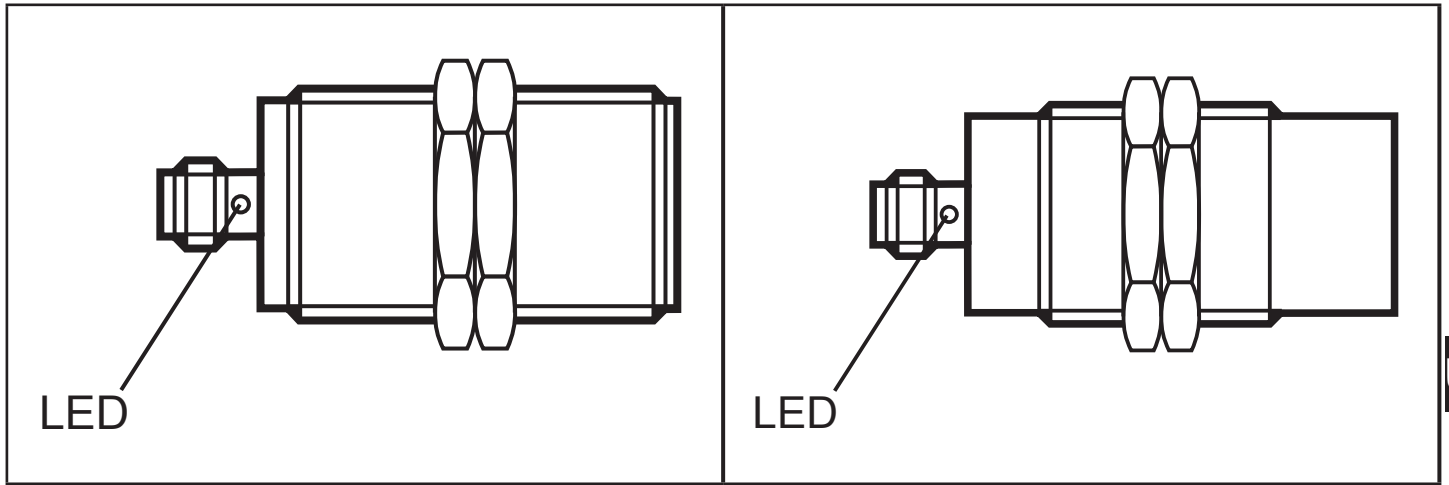
6.3 cULus

For units with cULus approval and the scope of validity cULus:

- ▶ Supply the device from an isolating transformer having a secondary UL-listed fuse rated
 - a) 5 A at voltages of 0...20 V rms (0...28.3 V p)
 - b) 100/V p at voltages of 20...30 V rms (28.3...42.4 V p)

7 Indicators

7.1 DTM434 / DTM435 (CANopen)



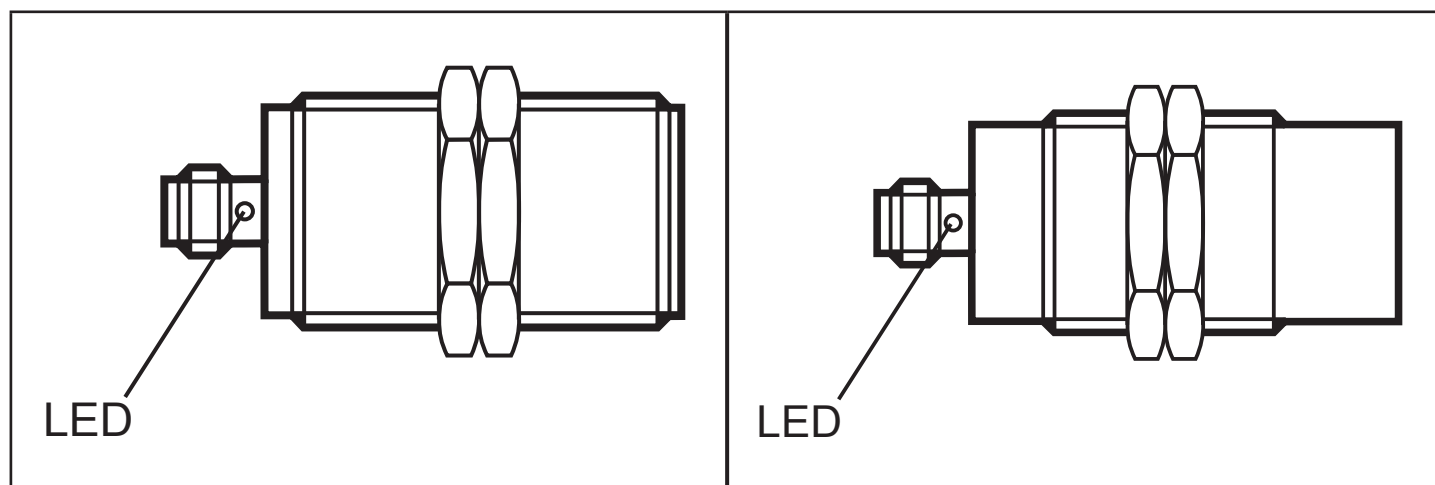
DTM434 (flush)

DTM435 (non flush)

Operating status	LED red	LED green	LED yellow
Preoperational	Off	Lights permanently	Off
Preoperational and tag detected	Off	Flashes alternately with yellow LED (every 1.6 s)	Flashes alternately with green LED (every 1.6 s)
Operational	Off	Flashes (every 0.4 s)	Off
Operational and tag detected	Off	Off	Lights permanently
Configuration error	Flashes (every 0.4 s)	LED reacts according to the current operating status	
Error in the CAN network	Flashes (every 1.2 s)		
CAN: bus OFF	Lights permanently	Off	Off
LSS service active	Flashing	Off	Off
Hardware error detected in the device	Off	Off	Flashing

UK

7.2 DTM436 / DTM437 (J1939)



DTM436 (flush)

DTM437 (non flush)

Operating status	LED red	LED green	LED yellow
Operational	Off	Lights permanently	Off
Deactivated	Off	Flashes (every second)	Off
Tag detected	Off	Off	Lights permanently
Tag data successfully read / written	Off	Off	Flashes once for 1/4 s
Error while reading / writing tag data	Off	Off	Flashes briefly 4x
Error while communicating via CAN	Lights permanently	Off	Off
Hardware error	Flashes (every second)	Off	Off

8 Operation

The device is operated in a CANopen network.



The CAN network must be correctly configured so that the device functions reliably.

Depending on the configuration of the CAN network the settings under (→ 8.1) and (→ 8.2) have to be adapted.

More notes on operation can be found in the operating instructions:

www.ifm.com → Data sheet search → DTM434 → Operating instructions

UK

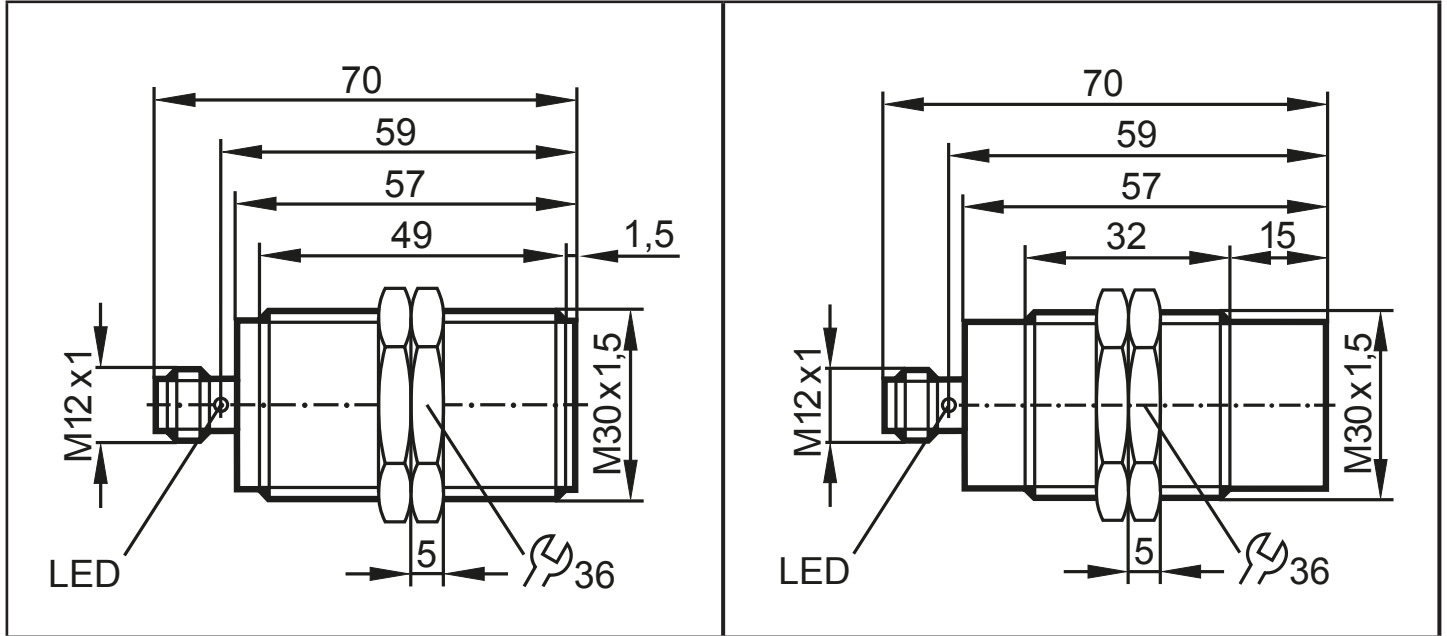
8.1 CANopen devices (DTM434 / DTM435)

The device is delivered with the node ID 32 and a bit rate of 125 Kbits/s.

8.2 J1939 devices (DTM436 / DTM437)

The device is delivered with the address 235 and a bit rate of 250 Kbits/s.

9 Dimensions



DTM434 / DTM436

DTM435 / DTM437

10 Technical data

The data sheets are available on our website at:

www.ifm.com → Data sheet search → DTM434

11 Maintenance, repair and disposal

- ▶ Do not open the housing as the device does not contain any components which can be maintained by the user. The device must only be repaired by the manufacturer.
- ▶ Dispose of the device in accordance with the national environmental regulations.

12 Approvals/standards

12.1 Radio approvals

12.1.1 Overview

The overview of the approval status of a unit is available on our website at:

www.ifm.com → Data sheet search → e.g. DTM434 → More information

12.1.2 Europe

Use in all EU countries

12.1.3 USA

FCC note:

This device complies with Part 15 of the FCC Rules. Operation is subject to the following two conditions:

1. This device must not cause harmful interference, and
2. this device must accept any interference received, including interference that may cause undesired operation.

Changes or modifications made to this equipment not expressly approved by ifm may void the FCC authorization to operate this equipment.

NOTE: This equipment has been tested and found to comply with the limits for a Class A digital device, pursuant to part 15 of the FCC Rules. These limits are designed to provide reasonable protection against harmful interference when the equipment is operated in a commercial environment. This equipment generates, uses and can radiate radio frequency energy and, if not installed and used in accordance with the instructions, may cause harmful interference to radio communications. Operation of this equipment in a residential area is likely to cause harmful interference in which case the user will be required to correct the interference at his own expense.

12.1.4 Canada

IC note:

This device complies with Industry Canada license-exempt RSS standards. Operation is subject to the following two conditions:

1. The device may not cause interference, and
2. the user of the device must accept any interference received, including interference that may cause undesired operation.

12.1.5 Taiwan

Administrative Regulations on Low Power Radio Wave Devices warning

Article 12

Unless granted permission by NCC, no company, firm, or user shall alter the frequency, increase the transmitting power, or alter the original design characteristics or operating functions of an approved low-power radio-frequency device.

Article 14

Low-power radio-frequency devices shall not affect aircraft security nor interfere with legal communications. If such interference occurs, the user shall immediately cease operating the device until improvement is made and the interference no longer exists.

Legal communications refers to the wireless telecommunication operations that comply with the Telecommunications Act. Low-power radio-frequency devices must accept any interference received from legal communications and ISM radio wave devices.

12.1.6 Australia

Use in Australia:



12.1.7 EC declaration of conformity

You can find the EC declaration of conformity on our website at:

www.ifm.com → Data sheet search → DTM434 → More information