

Xerox[®] Wireless Print Solutions Adapter User Guide



© 2015 Xerox Corporation. All rights reserved. Unpublished rights reserved under the copyright laws of the United States. Contents of this publication may not be reproduced in any form without permission of Xerox Corporation.

Copyright protection claimed includes all forms of matters of copyrightable materials and information now allowed by statutory or judicial law or hereinafter granted, including without limitation, material generated from the software programs which are displayed on the screen such as styles, templates, icons, screen displays, looks, and so on.

Xerox[®] and Xerox and Design[®], Phaser[®], PhaserSMART[®], PhaserMatch[®], PhaserCal[®], PhaserMeter™, CentreWare[®], PagePack[®], eClick[®], PrintingScout[®], Walk-Up[®], WorkCentre[®], FreeFlow[®], SMARTsend[®], Scan to PC Desktop[®], MeterAssistant[®], SuppliesAssistant[®], Xerox Secure Access Unified ID System[®], Xerox Extensible Interface Platform[®], ColorQube[®], Global Print Driver[®], and Mobile Express Driver[®] are trademarks of Xerox Corporation in the United States and/or other countries.

Adobe[®] Reader[®], Adobe[®] Type Manager[®], ATM™, Flash[®], Macromedia[®], Photoshop[®], and PostScript[®] are trademarks of Adobe Systems Incorporated in the United States and/or other countries.

Apple, Bonjour, EtherTalk, TrueType, iPad, iPhone, iPod, iPod touch, Mac and Mac OS are trademarks of Apple Inc., registered in the U.S. and other countries. AirPrint and the AirPrint logo are trademarks of Apple Inc.

Google Cloud Print™ web printing service, Gmail™ webmail service, and Android™ mobile technology platform are trademarks of Google, Inc.

HP-GL[®], HP-UX[®], and PCL[®] are trademarks of Hewlett-Packard Corporation in the United States and/or other countries.

IBM[®] and AIX[®] are trademarks of International Business Machines Corporation in the United States and/or other countries.

Microsoft[®], Windows Vista[®], Windows[®], and Windows Server[®] are trademarks of Microsoft Corporation in the United States and other countries.

Novell[®], NetWare[®], NDPS[®], NDS[®], IPX™, and Novell Distributed Print Services™ are trademarks of Novell, Inc. in the United States and other countries.

SGI[®] and IRIX[®] are trademarks of Silicon Graphics International Corp. or its subsidiaries in the United States and/or other countries.

Sun, Sun Microsystems, and Solaris are trademarks or registered trademarks of Oracle and/or its affiliates in the United States and other countries.

McAfee[®], ePolicy Orchestrator[®], and McAfee ePO™ are trademarks or registered trademarks of McAfee, Inc. in the United States and other countries.

UNIX[®] is a trademark in the United States and other countries, licensed exclusively through X/ Open Company Limited.

Wi-Fi[®] is a trademark of the Wi-Fi Alliance Corporation.

PANTONE[®] and other Pantone, Inc. trademarks are the property of Pantone, Inc.

U.S. Patent 8,922,813. Other patents pending.

Document version 1.0: July 2015

BR14864

Table of Contents

1	Safety	
	General Guidelines	7
2	Features	
	Introduction	9
	Key Features	9
	Protocol Support	9
	Troubleshooting Capabilities	10
	Configuration Methods	10
	Addresses and Port Numbers	10
	Hardware Address	10
	IP Address	10
	Port Numbers	10
	More Information	11
	Welcome Center	11
3	Installation	
	Package Contents	13
	User-Supplied Items	13
	Hardware Components	14
	Parts of the Wireless Print Solutions Adapter	14
	Wi-Fi Protected Setup (WPS)	15
	To Start WPS	16
	Installing the Wireless Print Solutions Adapter	16
4	Configuration Using the Web Manager	
	Accessing the Web Manager	17
	Navigating the Web Manager	17
5	Status Page	
	Accessing the Status Page	19
6	Network Page	
	Access Point Settings	21
	Bridge (br0) Settings	22
	Bridging Operation	22
	To View or Configure Bridge Settings	22
	To Configure and Enable Bridging	22

Wired (eth0) Network Interface Settings.....	22
To Configure Wired Network Interface Settings	22
Wired (eth0) Network Link Settings.....	23
To Configure Wired Network Link Settings	23
Wireless (wlan0) Network Interface Settings.....	23
To Configure Wireless Network Interface Settings	23
Wireless (wlan0) Network Link Settings	23
To Configure Wireless Network Link Settings	23
WLAN Scan/Quick Connect.....	23
WLAN Profiles	24
Configuring WLAN Profile Settings	24
7 Printer Page	
Printer Configuration	29
Configuring Printer Settings	29
Print Jobs.....	30
To View Print Jobs	30
AirPrint.....	30
To Configure the Wireless Print Solutions Adapter for Apple AirPrint	30
Google Cloud Print	31
To Register a Printer with Google Cloud Print.....	31
To Unregister a Printer with Google Cloud Print.....	31
8 Diagnostics Page	
DNS.....	33
Accessing the DNS Settings	33
Ping.....	33
To ping a Remote Host	33
Routes.....	34
Traceroute.....	34
To Perform a Traceroute.....	34
9 Administration Page	
Clock	35
To Specify a Clock-Setting Method	35
Discovery.....	35
To Configure Discovery	36
HTTP	36
Proxy Server	37

SSL.....	37
Credentials.....	37
To Configure an SSL Credential to Use an Uploaded Certificate.....	38
To Configure an SSL Credential to Use a Self-Signed Certificate.....	38
Trusted Authorities.....	39
To Upload a Trusted Authority Certificate.....	39
Approaches for Uploading Authority Certificates.....	40
Default Credential.....	40
Syslog.....	40
To Configure Syslog Settings.....	40
System.....	41
To Configure System Settings.....	41
User Management.....	42
To Change the User Admin Password.....	42
Cloning.....	42
Export Configuration.....	42
Export Status.....	43
Import Configuration.....	43
Quick Setup.....	44
To Access the Quick Setup Page.....	44
Installing New Firmware.....	44
A Troubleshooting	
B Regulatory	
Notice to Users in the European Union.....	51
Notice to Users in the United States.....	51
Notice to Users in Canada.....	52
Standards and Norms.....	52
Emissions and Immunity.....	52
Safety.....	53
Energy Efficiency (Power Adapter).....	53

Table of Contents

Safety

1

General Guidelines

Your attention to the following safety guidelines helps to ensure the continued, safe operation of your Wireless Print Solutions Adapter.



WARNINGS:

- Do not push objects into slots or openings on the adapters.
- Do not remove covers; there are no serviceable internal components
- Do not place objects on the adapters or power cord.
- Do not use outdoors.
- Do not place in an area where people can step on the power cord.
- Only use the power adapter provided; it is matched for use with the print adapter.
- Ensure that the Voltage (V) and Frequency (Hz) of your mains electrical outlet is within the ranges stated on the power adapter.
- Plug the power adapter directly into a properly grounded electrical outlet.
- Do not wrap the power cord around the power adapter.
- When you disconnect the power adapter, pull on the plug; do not pull on the power cord.

The following are hazards to your safety:

- The power cord is damaged or frayed.
- Liquid is spilled into a device.
- A device is exposed to water.
- The device emits smoke, or the surfaces are unusually hot.
- The device emits unusual noise or odors.
- The device causes a circuit breaker, fuse, or other safety device to activate.

If any of these conditions occur, do the following:

1. Remove power from the device.
2. Call an authorized service representative.

Features

2

Introduction

The Wireless Print Solutions Adapter supports bridging of traffic between a single external Ethernet device and the wireless network. The Wireless Print Solutions Adapter is a high performance, Ethernet-to-wireless bridging connectivity tool. It allows you to access and manage a device remotely over a network or on the Internet. The Wireless Print Solutions Adapter provides high-security, offering robust data encryption and authentication options including AES and SSL/TLS. Remote configuration over a network is possible using a web browser (HTTP and HTTPS).

Key Features

- **Power Supply:** Converts 100–240 VAC to +5 Vdc
- **Controller:** 32-bit Cortex A5 microprocessor running at 528 MHz
- **Memory:** 256-Mbyte DRAM, 256-Mbyte Flash
- **Ethernet:** Wired 10/100/1000 Mbps 802.3 Ethernet networking
- **Wireless:** 802.11 ac/b/g/n wireless networking
- **Configuration:** Using HTTP
- **Tunneling:** Ethernet-to-wireless
- **Site survey tool:** Built-in
- **Temperature Range:** Operates over a temperature range from 0°C through +55°C (32° F through +131° F)

Protocol Support

For network communications and management, the Wireless Print Solutions Adapter supports the following protocols:

- ARP
- UDP
- TCP
- ICMP
- DHCP
- Auto IP
- DNS

Features

- SSL/TLS
- HTTP/HTTPS, for uploading or downloading of files, and firmware upgrades

Troubleshooting Capabilities

The Wireless Print Solutions Adapter offers a comprehensive set of diagnostic tools that allow you to troubleshoot problems quickly and easily. The diagnostic tools, available from the Web Manager, allow you to:

- View critical hardware, IP socket, and routing table information.
- Perform ping and traceroute operations.
- Conduct forward or reverse DNS lookup operations.
- View system log messages.

Configuration Methods

After installation, the Wireless Print Solutions Adapter requires configuration.

1. To operate correctly, ensure that the adapter has a unique network IP address.
2. To log in to the Wireless Print Solutions Adapter, assign IP addresses, and configure other settings, use the Web Manager.

For details, see [Configuration Using the Web Manager](#) on page 17.

Addresses and Port Numbers

Hardware Address

The hardware address is also referred to as the Ethernet address, physical address, or MAC address. Every Wireless Print Solutions Adapter has a unique MAC address. For example, 01-23-45-67-89-AB or 01:23:45:67:89:AB.

IP Address

Every device connected to an IP network requires a unique IP address. This address is used to locate the specific device on the network.

Port Numbers

Each TCP connection and UDP (User Datagram Protocol) is defined by a destination and source IP address, and a destination and source port number. For example, a Telnet server commonly uses TCP port number 23.

The Wireless Print Solutions Adapter uses the following default server port numbers:

- TCP Port 80: HTTP, Web Manager Configuration
- TCP Port 443: HTTPS
- TCP Port 631: IPP
- TCP Port 444:IPPS

More Information

You can obtain more information from these sources:

Resource	Location
<i>Installation Guide</i>	Packaged with the Wireless Print Solutions Adapter.
Other documentation for your Wireless Print Solutions Adapter.	www.xerox.com/office/WPSAdocs
Technical support information for your Wireless Print Solutions Adapter, including online technical support, Online Support Assistant, and device driver downloads.	www.xerox.com/office/WPSAsupport
Wireless Print Solutions Adapter online help.	In the Wireless Print Solutions Adapter user interface, click Help .
Register product	www.xerox.com/office/register

Welcome Center

If you need assistance during or after installation, visit the Xerox website for online solutions and support at www.xerox.com/office/worldcontacts.

When you report a problem, provide the following information:

- Your name, company name, address, and phone number.
- Model number of your Xerox printer.
- The serial number for the Wireless Print Solutions Adapter.
- Firmware version and current configuration.
- Description of the problem.
- Status of the unit when the problem occurred, including information on user and network activity at the time of the problem.

Features

Installation

This chapter describes how to install the Wireless Print Solutions Adapter. It contains the following sections:

- [Package Contents](#)
- [User-Supplied Items](#)
- [Hardware Components](#)
- [Wi-Fi Protected Setup \(WPS\)](#)
- [Installing the Wireless Print Solutions Adapter](#)

Package Contents

The Wireless Print Solutions Adapter package includes the following items:

- Xerox® Wireless Print Solutions Adapter.
- RJ-45 Ethernet Straight CAT5 cable, 1.5 meters.
- One 5 VDC Power Supply, with a selection of international AC power adapters.
- Mounting components including hook-and-loop adhesive strips, and rubber feet.
- Wireless Print Solutions Adapter Installation Guide.
- Warranty document.

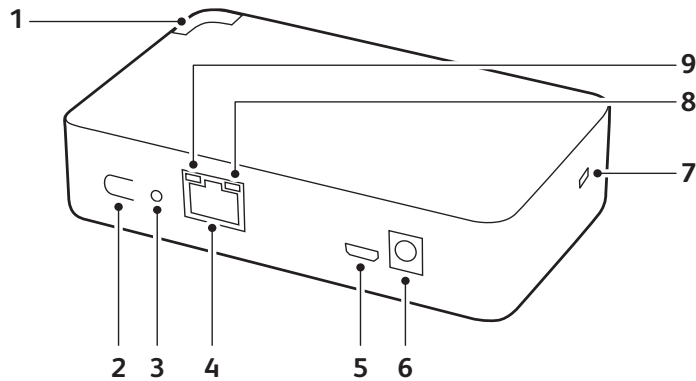
User-Supplied Items

To complete your installation, ensure that you have the following:

- An available connection to your Ethernet network and the provided Ethernet cable.
- Access to an AC power outlet for the 5-VDC power supply.

Hardware Components

Parts of the Wireless Print Solutions Adapter



Feature		Description
1	Status LED	Indicates system status using color and blink patterns. For details, see Status LED on page 15.
2	WPS Button	Wi-Fi Protected Setup Button.
3	Reset Button access	Used to reset the Wireless Print Solutions Adapter to the factory-default settings.
4	RJ45 Ethernet Port	Supports the physical connection between the Wireless Print Solutions Adapter and the Printer.
5	Service Port	Service port.
6	5 VDC Power Connector	The 5 VDC Power Supply connector.
7	Kensington Security Slot	A slot used for attaching an anti-theft lock-and-cable.
8	Right RJ45 Ethernet LED	Blinks to indicate transmission and reception activity between your wireless router and the Wireless Print Solutions Adapter.
9	Left RJ45 Ethernet LED	Solid green light indicates that an established link exists between your connected printer and the Wireless Print Solutions Adapter.

Status LED

The Status LED indicates various system status based on its color and blink pattern. The Status LED is located on the top, front corner of the Wireless Print Solutions Adapter. For details, see [Parts of the Wireless Print Solutions Adapter](#) on page 14.

Condition	Green LED Flash Pattern
Adapter is powered on with no error conditions	Continuous solid green light
Adapter is powered off	LED is not illuminated
Locate Device function is in process	Slow-flashing light occurs for two minutes. For details see To Configure System Settings on page 41.
WPS button is pressed on adapter	A slow-flashing light

Condition	Amber LED Flash Pattern
No Ethernet Link is available	Two long flashes followed by two short flashes that repeat.
No IP Address is obtained from the Ethernet network	Two long flashes followed by three short flashes that repeat.
No WLAN Link is available	Three long flashes followed by two short flashes that repeat.
No IP address is obtained from the WLAN network	Three long flashes followed by three short flashes that repeat.
WPS Profile Error	One long flash followed by one short flash that repeats.
WPS Timeout Error	One long flash followed by two short flashes that repeat.

Reset Button

To reset the device settings to factory default, you can use the Reset Button. Settings, including the IP address, gateway, and network mask are set to 00.

To reset the device to factory defaults:

1. To depress the Reset Button, place the end of a paper clip or similar object into the Reset Button opening. For details, see [Parts of the Wireless Print Solutions Adapter](#) on page 14.
2. Continue to depress the Reset Button for 15 seconds, then remove the paper clip. The adapter reboots automatically and restores to the factory-default settings.

Wi-Fi Protected Setup (WPS)

Using WPS, you can connect to the Wireless Print Solutions Adapter using a router or an access point in one operation. This process is simpler than creating a profile with a network name (SSID), setting up wireless security parameters, and updating the choice list.

To Start WPS

1. Press and hold down the WPS Button for at least 5 seconds.
2. Release the button.
The unit starts in Wi-Fi protected setup mode, indicated by a slow-flashing green light.
3. Within 2 minutes, to pair the device, press the WPS button on the router or access point.

Installing the Wireless Print Solutions Adapter

Ensure that you place or mount the device securely on a flat horizontal or vertical surface. The device comes with hook-and-loop adhesive strips to enable you to mount it securely to a flat surface.

Notes:

- The Wireless Print Solutions Adapter comes with one 5 VDC Power Supply, and a selection of international AC power adapters.
- If you use AC power, do not use outlets that are controlled by a wall switch.
- When connected to power, the adapter powers on and automatically runs a self-test, and the LEDs illuminate to indicate the device status.

To install your device, perform the following steps:

1. Connect an RJ-45 Ethernet cable between Wireless Print Solutions Adapter unit and the Ethernet port on your printer.
2. Select and install one of the AC power adapters on the 5 VDC Power Supply. For details, see the *Wireless Print Solutions Adapter Installation Guide* supplied with the device.
3. To power on the device, plug in the device to the power supply provided.
4. Check for Status LED activity and monitor according to [Status LED](#) on page 15.
5. On your personal computer or mobile device, navigate to your list of available networks, then select the SSID for your Wireless Print Solutions Adapter. The SSID appears as “wpsa-xxxx” with the last four characters matching the last four characters of your adapter’s wireless MAC address. For details, see the Wireless Print Solutions Adapter Installation Guide, or [Cannot find the SSID for the Adapter in available wireless connections.](#) on page 49.
6. Open a web browser, then to access your Wireless Print Solutions Adapter, type its default IP address of **192.168.0.1**. The Quick Installation page appears.
7. To continue installing the Wireless Print Solutions Adapter, log in to Web Manager.
 - The default login is **admin**.
 - The default password is **PASS**.
8. Complete the Quick Setup procedure. For details see [Quick Setup](#) on page 44.

Configuration Using the Web Manager

This chapter describes how to use the Web Manager to configure the Wireless Print Solutions Adapter, the Xerox browser-based configuration tool. The Wireless Print Solutions Adapter configuration is stored in non-volatile memory and is retained without power. All changes take effect immediately, unless otherwise noted.

This chapter includes:

- [Accessing the Web Manager](#)
- [Navigating the Web Manager](#)

Accessing the Web Manager

1. At your computer, open a Web browser.
2. In the address field, type the IP address or host name that is assigned to the Wireless Print Solutions Adapter. Determine if the IP address was assigned manually or automatically by DHCP. For details see [Installing the Wireless Print Solutions Adapter](#) on page 16.

Note: The default IP address of the Wireless Print Solutions Adapter is 192.168.0.1.

3. Type your user name and password, or use the factory default user name of **admin** and password of **PASS**. The Device Status web page loads.

Navigating the Web Manager

The Web Manager is an embedded Web server that allows you to manage and configure the wireless adapter. It is comprised of five tabbed pages that contain page-specific links.

A menu bar on the left side of each page provides links you can click to navigate from one page to another. Some pages are read-only, while others allow you to change configuration settings.

Notes:

- To take effect, some configuration changes require a system reboot. For details, see [System](#) on page 41.
- Before you try to connect to the device, wait for the system reboot to complete. This process can take up to 30 seconds.
- If a parameter changes on a page, a Submit button appears. To save the change, click the Submit button.
- To log out of the interface, at the top of the page, click the **Logout** link, then close the browser window. To log in to the interface, reopen the browser.

Web Manager Page	Description
Status	Provides product information and network settings. For details, see Status Page on page 19.
Network	Provides the status of the Ethernet and WLAN interface/link and lets you configure Wireless Print Solutions Adapter settings. For details, see Network Page on page 21.
Printer	Supports printing and printer management functions. For details, see Printer Page on page 29.
Diagnostics	Provides a page to perform various diagnostic procedures. For details, see Diagnostics Page on page 33.
Administration	Allows you to configure date and time, discovery, HTTP, SSL, Syslog, System, user management, and cloning functions. For details, see Administration Page on page 35.

Status Page

5

When you log into the Web Manager or you select the Status tab from any page, the Status page appears. The Status page provides device, network, and printer-specific status information. To view specific status details, click the links for Device, Network, or Printer.

Note: The Logout button is available on any web page. If you log out of the Web Manager, to log in again, reenter the login and password.

Accessing the Status Page

1. At your computer, open a Web browser.
2. In the address field, type the IP address of the Wireless Print Solutions Adapter, then press **Enter** or **Return**. For details, see [Accessing the Web Manager](#) on page 17.
3. Log in to the Wireless Print Solutions Adapter.
 - The default login is **admin**.
 - The default password is **PASS**.
4. Click the **Status** tab.

Network Page

6

You can view and configure the Ethernet and WLAN interface details on the Network Page. You can also configure the Wireless Print Solutions Adapter settings. Interface settings are related to the configuration of the IP and related protocols. Link settings are related to the physical link connection, which carries the IP traffic.

The Wireless Print Solutions Adapter contains two network interfaces. Only one interface can be active at a time unless bridging is enabled. Then both interfaces are activated and the bridging subsystem controls them. The Ethernet interface is called Network (eth0), and the WLAN interface is called Network (wlan0).

Notes:

- Some settings require a reboot to take effect. For details, see [System](#) on page 41.
- After you reboot the adapter, wait at least 30 seconds before you connect to the device.

The Wireless Print Solutions Adapter supports bridging of traffic between a single external Ethernet device and the wireless network. When bridging is enabled and active, the MAC address of the external device is used as the MAC address for the WLAN interface. The device then bridges traffic between the two interfaces. The external Ethernet device appears as a wireless node on the network.



CAUTION: To be able to restore the wireless adapter at a later time, ensure that you export the WLAN Profile, HTTP Authentication URI, and the soft AP groups with export secrets enabled.

Access Point Settings

Software Access Point (Soft AP) is a feature that allows you to create an access point for your Wireless Print Solutions Adapter so that wireless devices can locate and connect to it. When you use Soft AP, the Wireless Print Solutions Adapter broadcasts its SSID. This allows wireless devices to locate it and connect to it. The Wireless Print Solutions Adapter SSID appears as wpsa-xxxx where the last four digits of the address are the last four digits of the MAC address for the adapter. The Soft AP feature is useful to help you configure the Wireless Print Solutions Adapter for the first time before you connect it to a wireless network. The default IP address for the Wireless Print Solutions Adapter is 192.168.0.1.

To Configure Access Point Settings

1. On the Network Page, click **Access Point**.
2. Configure the access point details.
 - To enable the Wireless Print Solutions Adapter to broadcast its SSID, for State, select **Enabled**.
 - For **IP Address**, enter the IP address of the Soft AP interface.
 - For **Network Name (SSID)**, type the network name or the SSID for the access point. The SSID details update automatically without rebooting the adapter.

- For Security Suite, enter the security suite to use with the access point. For details, see [To Configure WLAN Security Settings](#) on page 25.
- Click **Submit**.

Bridge (br0) Settings

Bridging Operation

The Bridging MAC Address is acquired using pre-configuration or auto-detection. If either the eth0 or wlan0 links go down, bridging reverts to the Inactive state, as noted on the Bridge Statistics page.

When in the Active state, all packets that arrive on the wlan0 interface are bridged through the eth0 interface. Similarly, all packets that arrive on the eth0 interface are bridged through the wlan0 interface.

To View or Configure Bridge Settings

- To view the Bridge status, on the Network page, click **Bridge > Statistics**.
- To configure Bridge settings, on the Network page, from the links, click **Bridge > Configuration**.

To Configure and Enable Bridging

1. Ensure that you have configured the Wireless Network (wlan0) to communicate with your wireless network.
2. Ensure that the Wired Network (eth0) is Enabled.
3. On the Bridge Configuration page, for State, select **Enabled**.
4. If desired, configure the Bridging MAC Address.
5. Click **Submit**.
6. For changes to take effect, on the Administration page, click **Reboot**.

Wired (eth0) Network Interface Settings

Network interface settings apply to both the Ethernet (eth0) and WLAN (wlan0) interfaces, but are configured independently for each interface.

To Configure Wired Network Interface Settings

- To view Ethernet (eth0) Interface statistics, on the Network page, select **Wired Network > Interface**.
- To configure Ethernet (eth0) Interface settings, on the Network page, select **Wired Network > Interface > Configuration**.

Wired (eth0) Network Link Settings

To Configure Wired Network Link Settings

- To view Wired Network (eth0) Interface status, on the Network page, select **Wired Network > Link**.
- To modify Wired Network (eth0) Interface settings, on the Network page, select **Wired Network > Link > Configuration**.

Physical link parameters can be configured for an Ethernet (eth0) Network Interface.

- When speed is Auto, duplex must be Auto or Half.
- When speed is not Auto, duplex must be Half or Full.
- Fixed-speed Full duplex produces errors when connected to Auto, due to duplex mismatch.

Wireless (wlan0) Network Interface Settings

This page is used to configure and view the status of the wlan0 interface on the device. To see the effect of these items after a reboot, view the Status page.

To Configure Wireless Network Interface Settings

- To view the Wireless Network (wlan0) Interface status, on the Network page, then select **Wireless Network > Interface**.
- To modify Wireless Network (wlan0) Interface settings, on the Network page, select **Wireless Network > Interface > Configuration**.

Wireless (wlan0) Network Link Settings

You can select and name up to four WLAN Profiles for automatic connection to wireless networks.

To Configure Wireless Network Link Settings

- To view Wireless Network (wlan0) Interface status, on the Network page, select **Wireless Network > Link**.
- To modify Wireless Network (wlan0) Interface settings, on the Network page, select **Wireless Network > Link > Configuration**.

WLAN Scan/Quick Connect

To view the WLAN Link Scan and Status information, on the Network page, select **WLAN Scan/Quick Connect**.

WLAN Quick Connect Settings	Description
Network Name	Type a network name or to search for a network, click Scan .
Scan	Performs a scan for devices within range of the Wireless Print Solutions Adapter. To limit the scan to devices that are configured with the specified SSID, include the network SSID. To perform a scan for all devices, omit the network SSID.
Refresh scan results every 60 seconds	<ul style="list-style-type: none"> To automatically update the list every 60 seconds, select the check box. To stop automatically updating the list, clear the check box.
SSID	To display a network configuration profile, for SSID, click the link for the network name.
BSSID	The Basic Service Set Identifier is the MAC address that identifies the access point that created the wireless network.
CH	The channel number and frequency (MHz) of a network.
RSSI	A real-time value that indicates the signal strength of the network. Green indicates the strongest, yellow indicates average, and red indicates the weakest signal strength.
Security Suite	The security suite of a network. For example: WEP, WPA, WPA2, WPS, IBSS. Note: Although WPS and IBSS are reported with the security flags, they are not security settings. WPS indicates that an Access Point supports WPS.

WLAN Profiles

WLAN Quick Connect allows users to add a WLAN profile from a list of available networks that refreshes automatically every 60 seconds. Since details of the selected network are pre-populated, users do not need to configure the connection. Users can test the network connection before they add it to the pool of WLAN profiles.

A WLAN profile defines all of the settings needed to establish a wireless connection. This is true when in infrastructure mode for an access point, as well as another wireless client. A maximum of eight profiles can exist on the Wireless Print Solutions Adapter at a time. All enabled profiles are active.

The Wireless Print Solutions Adapter supports dynamic profiles and prioritization of the profiles. Dynamic Profiles are created using WPS or Quick Connect. Profiles are assigned numbers based on priority. For example, dynamic profiles list in reverse order of creation, followed by choice-list profiles, then any remaining profiles.

Configuring WLAN Profile Settings

On the Network page, you can edit, create, or delete a WLAN profile.

To Create a Profile

1. To create a WLAN profile, on the Network page, select **WLAN Profiles**.
2. For Add a new Profile, type the name for the profile. This profile is unique to this wireless device.
3. Click **Submit**.
The profile appears in the WLAN Profiles list. The profile is enabled by default.

To Configure WLAN Profile Settings

1. On the Network page, select WLAN Profiles.
2. For WLAN Profiles, click the profile that you want to edit.
3. To update the network name, for Network Name (SSID), type a new network name.
Note: This name is the name of the network that you wish to attach to. If you do not know the network name (SSID), consult your network administrator.
4. For State, select **Enabled**.
5. For Suite, from the menu, select a security suite.
 - None
 - For WEP, see [To configure WEP Settings](#) on page 25.
 - For WPA or WPA2/IEEE 802.11i, see [To Configure WPA or WPA2 Settings](#) on page 26.

To Configure WLAN Security Settings

To Configure an Open Network

To select no security settings, for Suite, select **None**, then click **Apply**.

To configure WEP Settings

WEP security is available in Infrastructure mode. WEP is a simple and efficient security mode, encrypting the data using the RC4 algorithm. However, WEP has become more vulnerable due to advances in hacking technology. Common equipment can find WEP keys in minutes. For stronger security, use WPA, or the stronger WPA2, with AES (CCMP).

1. For Suite, select **WEP**.
2. For Authentication, select an option.
 - **Shared:** Encryption keys of both parties are compared as a form of authentication. If mismatches occur, no connection establishes.
 - **Open:** A connection establishes without first checking for matching encryption keys. If keys do not match, however, data becomes garbled and prevents connectivity on the IP level.
3. For Key Type, select an option.
 - **If you select Passphrase,** for Key Size, select **40 bits** or **104 bits**, then for Passphrase, type an alphanumeric phrase up to 63 characters in length. Spaces and special characters are allowed.
 - **If you select Hex,** for Key Size, select **40 bits** or **104 bits**, then for TX Key Index, select a key index value from 1 through 4.

Note: For interoperability with some products that generate four identical keys from a passphrase, this index must be one.

For Keys 1-4, enter one or more encryption keys in hexadecimal format. Enter 10 hexadecimal digits (0-9, a-f) for WEP40 and 26 for WEP104. For security reasons, the configured keys are not shown.

Note: For maximum security, Xerox recommends that you use a passphrase of 20 or more characters. Spaces and special characters are allowed.

4. Click **Apply**.
5. To test the settings, click **Test Connection**.
6. When you finish your selections, click **Submit**.

To Configure WPA or WPA2 Settings

WPA and WPA2/IEEE802.11i security suites are available for Infrastructure mode only.

WPA is a security standard specified by Wi-Fi Alliance Corporation. WPA2 is a Wi-Fi standard to enforce better interoperability. The Wireless Print Solutions Adapter is compliant with both WPA and WPA2.

The WPA2 mode is compliant with the Robust Secure Network specified in the IEEE standard 802.11i.

1. For Suite, select **WPA or WPA2/IEEE 802.11i**
2. For Authentication, select an option.
 - **PSK**, for Passphrase, type the key. For a Pre-shared key, ensure that the same key is configured both on the Wireless Print Solutions Adapter side and on the Access Point side.
 - **IEEE 802.1X**: This authentication method communicates with an authentication server that is part of the network. The authentication server matches the credentials sent by the Wireless Print Solutions Adapter with an internal database.

Note: For maximum security, Xerox recommends that you use a passphrase of 20 or more characters. Spaces and punctuation characters are allowed.

3. For Key type, select either **Passphrase** or **Hex**.
4. If you select IEEE 802.1X, select the protocol to use to authenticate the WLAN client.
 - **LEAP**: Type a User Name and Password, then select an Encryption. Options are **CCMP**, **TKIP**, or **WEP**. Click **Apply**.
 - **EAP-TLS**: Type a Username, then select a value for Encryption. Options are **CCMP**, **TKIP**, or **WEP**. This option validates the certificate received from the authentication server. To validate against a certificate installed on the device, select **Enabled**. For Credentials, select the credential to validate against. If the credential is not listed, type the name for the credential, then click **Apply**.
 - **EAP-TTLS**: For EAP-TTLS Option, select a security protocol. Options include **EAP-MSCHAPV2**, **MSCHAPV2**, **MSCHAP**, **CHAP**, **PAP**, and **EAP-MD5**. Type a **Username** and **Password**, then select an Encryption. Options are **CCMP**, **TKIP**, or **WEP**. Click **Apply**.
 - **PEAP**: For PEAP Option, select a security protocol. Options include **EAP-MSCHAPV2** and **EAP-MD5**. Type a Username and Password, then select an Encryption. Options are **CCMP**, **TKIP**, or **WEP**. Click **Apply**.
5. To test the settings, click **Test Connection**.
6. When you finish your selections, click **Submit**.

To Delete a Profile

1. On the Network page, select **WLAN Profiles**.
2. For the profile that you want to delete, select the check box.
3. Click **Submit**. A window appears that requests confirmation of the delete action.
4. Click **OK**.

The profile is removed from the WLAN profiles list.

Note: If you delete the active profile, you will need to reconfigure an active profile. To do so, reconnect to the adapter via SoftAP, or reset to factory defaults, then reconfigure the wireless settings.

Printer Page

7

You can use the Printer page to print test pages, add or delete a printer, and modify default print options.

The Xerox® Wireless Print Solutions Adapter supports printing and printer management through the Web Manager user interface and Google Cloud Print. All printer options are available when a printer is added. All printing and printer management functionality is available on the Printer page.

Notes:

- Only add a printer which supports Adobe PS3.
- You can associate one printer to a Wireless Print Solutions Adapter at any time. Once you configure an adapter to a printer, all printer configuration options are available.

Printer Configuration

To access the Printer web page, in the Web Manager, click the **Printer** tab.

Configuring Printer Settings

To access printer configuration options for a printer that was added previously, select the **Printer** tab, then click **Printer Configuration**.

To Add a Printer

1. In the Web Manager, click the **Printer** tab.
2. Click **Printer Configuration**.

Note: The Printer Configuration page allows you to add a new printer the first time that you configure the Wireless Print Solutions Adapter.

3. For the new printer, enter the details:
 - a. Type the **IP Address** of the printer.
 - b. Type the **Name** of the printer as it will appear in the user interface.
 - c. Type the **Location** of the printer as it will appear in the user interface.
 - d. If needed, browse to the location for the **PPD File** that you want to use.
4. Click **Add Printer**. A confirmation page appears, then the Printer Configuration page appears for the new printer.

Note: Once you configure the Wireless Print Solutions Adapter with a printer, the Add Printer button changes to Delete Printer. You can configure only one printer at a time with the Wireless Print Solutions Adapter.

To Delete a Printer

1. In the Web Manager, click the **Printer** tab.
2. Click **Printer Configuration**.
3. Click **Delete Printer**.
4. To confirm the selection, click **Delete Printer** again.
The button changes to **Add Printer**.

To Print a Test Page

1. In the Web Manager, click the **Printer** tab.
2. Click **Printer Configuration**.
3. Click **Print Test Page**. A confirmation page appears, then Printer Configuration page loads.

Print Jobs

To View Print Jobs

1. In the Web Manager, click the **Printer** tab.
2. Click **Printer Jobs**.
 - To search for Active Print jobs, type the printer Job ID or name of the printer, then click **Search**.
 - To clear existing search results, click **Clear**.
 - To show all completed print jobs, click **Show Completed Jobs**.
 - To show all jobs, click **Show All Jobs**.

AirPrint

AirPrint is a software feature that allows you to print documents from Apple iOS-based mobile devices and Mac OS-based devices without the requirement to install a print driver.

You can use the Wireless Print Solutions Adapter to print using the Apple AirPrint feature.

Note: You can configure AirPrint options only if the printer is configured with the Wireless Print Solutions Adapter and if AirPrint is installed. For details on how to install AirPrint, go to <https://support.apple.com/en-us/HT201311>.

To Configure the Wireless Print Solutions Adapter for Apple AirPrint

1. In the Web Manager, click the **Printer** tab.
2. In the navigation pane, click **AirPrint**.
3. For Latitude, enter the latitude coordinates for your device.

4. For Longitude, enter the longitude coordinates for your device.
Note: If you do not know your coordinates, enable **Share Location**, then click **Find Your Location**.
5. Click **Save**.

Google Cloud Print

Google Cloud Print allows you to print documents that are stored in the cloud without using a print driver. Register the Wireless Print Solutions Adapter printer at Google Cloud Print.

Note: You can register the printer with Google Cloud Print only if the printer is configured with the Wireless Print Solutions Adapter and if Google Cloud Print is installed. For details on how to install Google Cloud Print, go to <https://google.com/cloudprint>.

To Register a Printer with Google Cloud Print

Note: You need a valid Google Email account and Password to register your printer with Google Cloud Print.

1. In the Web Manager, click the **Printer** tab.
2. In the navigation pane, click **Google Cloud Print**. The status for your printer appears as **Unregistered**.
3. Click **Register Printer**. A link appears.
4. In this window, click the link **Click here to open Google Cloud Print confirmation page for your printer**.

Note: If you are logged into your Google email account, you can bypass the next two steps.

5. Type your Google **Email** address and **Password**.
6. Click **Sign in**. A confirmation page appears.
7. Click **Finish printer registration**. A link appears that allows you to manage your printers through Google Cloud Print.

Note: If needed, to manage your printers, click **Manage your printers**.

8. On the Printer page, click **Google Cloud Print**. The status for your printer now appears as Registered, along with the associated email account.

To Unregister a Printer with Google Cloud Print

1. In the Web Manager, click the **Printer** tab.
2. Click **Google Cloud Print**. If your printer is configured with Google Cloud Print, the status appears as **Registered**.
3. Click **Unregister Printer**. A confirmation page appears.
4. To confirm, click **Unregister Printer** again. The Google Cloud Print Page appears.

Diagnostics Page



To access the Diagnostics page, log into the Web Manager, then click the Diagnostics tab. The Diagnostics page provides access to view and configure DNS settings, ping devices, view and configure networking routes, and run traceroutes.

DNS

The primary and secondary DNS addresses come from the active interface. DHCP overrides the static addresses from the Network Interface configuration settings.

To look up either the DNS host name or the IP address for an address, type the address or host name in the field, then click **Lookup**.

Accessing the DNS Settings

1. To view the current DNS name or IP address, on the **Diagnostics** page, click **DNS**.
2. To Configure the DNS Settings, on the **Diagnostics** page, click **DNS**, begin to enter the name of a DNS host, then click **Lookup**.
3. To manually configure DNS servers, click the **Network** tab.
 - To configure for Wireless, click **Wireless Network > Interface > Configuration**.
 - To configure for a Wired connection, click **Wired Network > Interface > Configuration**.

Ping

You can use Ping to test connectivity to a remote host.

To ping a Remote Host

1. On the **Diagnostics** page, click **Ping**.
2. For **Host**, enter the IP address or host name for the Wireless Print Solutions Adapter that you want to ping.
3. For **Count**, enter the number of ping packets that the Wireless Print Solutions Adapter attempts to send to the Host. The default number of packets is 3.
4. For **Timeout**, enter the time in seconds that the Wireless Print Solutions Adapter waits for a response from the Host before it times out. The default time is 5 seconds.
5. Click **Submit**.

Routes

Routing allows one system to find the network path to another system, from a gateway to a destination.

To view the current networking routes, on the **Diagnostics** page, click **Routes**.

Traceroute

You can use traceroute to trace a packet from the Wireless Print Solutions Adapter to an Internet host. A traceroute shows how many hops the packet requires to reach the host, and how long each hop takes. This information can be helpful to diagnose delays for a web page that loads slowly.

To Perform a Traceroute

1. On the **Diagnostics page**, click **Traceroute**.
2. For **Host**, enter the IP address or DNS host name for the destination device.
3. For **Protocol**, select the protocol that you want to use for the traceroute.
4. Click **Submit**.

Administration Page

9

To open the Administration page, after you log in to the Web Manager, select the **Administration** tab. Use the **Administration** page to configure date and time, discovery, HTTP, SSL, Syslog, System, user management, and cloning.

Clock

You can update clock settings manually or you can synchronize the clock with an SNTP server. If you select SNTP, you can choose automatic time zone detection.

To Specify a Clock-Setting Method

1. In the Web Manager, click the **Administration** tab.
2. Click **Clock**. The current time appears at the bottom of the page.
3. For Change Date and Time, select a **Method**:
 - **Manual**: You can set the date and time manually. For Date and Time, click the arrows, select a value, then click **Submit**.
 - **SNTP**: This option enables the Wireless Print Solutions Adapter to synchronize the time with an NTP server. For NTP Server, type the NTP server URL, then click **Submit**.
4. To select your time zone, for **Time Zone**, click the arrow, then select the zone for your geographical location. The list refreshes to show additional time zones, by city, in that geographical location. To further refine your location, select an option. To navigate back, at the top of the list, click the back symbol (..).

When you are complete, the time updates to show your current time.

Discovery

UPnP allows the Wireless Print Solutions Adapter to be discoverable by devices on your network.

The current statistics and configuration options for device discovery are available for the Wireless Print Solutions Adapter.

Discovery Settings	Description
UPnP Server State	Use this setting to allow the Wireless Print Solutions Adapter to be discovered by devices on the network.
UPnP Server Port	To restore the default settings, leave UPnP Server Port blank.

To Configure Discovery

1. To view or configure Discovery settings, in the Web Manager, click the **Administration** tab, then select **Discovery**.
2. For UPnP Server State, select **Enabled**.
3. For UPnP Server Port, enter the port you want the Wireless Print Solutions Adapter to use.
4. Click **Submit**.

HTTP

Hypertext Transfer Protocol (HTTP) is a request-response standard protocol between clients and servers. HTTP defines how messages are formatted and transmitted. It also defines the actions Web servers and browsers take in response to different commands. HTTP Authentication enables the requirement of user names and passwords for access to the device.

To View HTTP Statistics

1. In the Web Manager, select the **Administration** tab.
2. Click **HTTP**.
3. Click **Statistics**.
4. To view accumulated logs, click **View**.
5. To clear accumulated logs, click **Clear**.

To Configure HTTP Settings

1. In the Web Manager, select the **Administration** tab.
2. Click **HTTP**.
3. Click **Configuration**.
4. As required, modify the settings.
5. Click **Submit**.

To Configure HTTP Authentication

1. In the Web Manager, select the **Administration** tab.

2. Click **HTTP**.
3. Click **Authentication**.
4. As required, modify the settings.
5. Click **Submit**.
6. To delete the current configuration, click **Delete**.
7. Confirm the deletion, then click **OK**.

Proxy Server

1. In the Web Manager, click the **Administration** tab.
2. Click **Proxy Server**.
3. As needed, modify the **State**, **Host**, **Port**, **Username**, and **Password**.
4. Click **Submit**.

Notes:

- In some network environments, a Proxy Server is required to access resources on the network. Use this procedure only if your network requires a Proxy Server.
- If you do not know the Proxy Server settings for your network environment, contact your network administrator.

SSL

Secure Sockets Layer (SSL) is a protocol that creates an encrypted connection between devices. It also provides authentication and message integrity services. SSL is used widely for secure communication to a Web server, and also for wireless authentication.

SSL certificates identify the Wireless Print Solutions Adapter to peers and are used with some methods of wireless authentication. Provide a name at upload time to identify certificates on the Wireless Print Solutions Adapter.

You can upload Certificate and Private key combinations, obtained from an external Certificate Authority (CA), to the Wireless Print Solutions Adapter. The Wireless Print Solutions Adapter can also generate self-signed certificates with associated private keys.

Credentials

The Wireless Print Solutions Adapter can generate self-signed certificates and their associated keys for both RSA and DSA certificate formats. When you generate certificates, assign them a credential name to help identify them on the Wireless Print Solutions Adapter. Once you create your credentials, then configure them with the desired certificates.

To Create a New Credential

To create an SSL credential:

1. In the Web Manager, click the **Administration** tab.
2. Click **SSL**.
3. Click **Credentials**.
4. Type the name for your credential.
5. Click **Submit**.

The SSL credential appears in the list.

To Delete a Credential

To delete an SSL credential:

1. In the Web Manager, click the **Administration** tab.
2. Click **SSL**.
3. Click **Credentials**.
4. For the credential that you want to delete, click the **X**.
5. To confirm the delete, click **OK**.

To Configure an SSL Credential to Use an Uploaded Certificate

1. In the Web Manager, click the **Administration** tab.
2. Click **SSL**.
3. Click **Credentials**.
4. For View or Edit, click the credential that you want to modify.
5. To upload a certificate to assign to the credential, for New Certificate, click **Browse**.
6. Locate, then double-click the valid certificate.
 - If you select SSL authority, RSA, or DSA certificates, for New Certificate Type, select **PEM**, **PKCS7**, or **PKCS12**.
 - If the Web Manager determines that the certificate is an Authority Certificate type, the New Certificate Type field updates to **PKCS12** automatically. For PKCS12 certificates, type a password.

Notes:

- Ensure that the certificate is formatted properly with a valid open and close tag.
 - Ensure that the Private Key is associated to the selected certificate and that it is formatted properly with a valid open and close tag.
7. For New Private Key, to locate the associated valid private key, click **Browse**.
 8. Locate, then double-click the New Key Type.
 9. Click **Submit**.

To Configure an SSL Credential to Use a Self-Signed Certificate

1. In the Web Manager, click the **Administration** tab.
2. Click **SSL**.

3. Click **Credentials**.
4. For View or Edit, click the credential that you want to modify.
5. For Create New Self-Signed Certificate, type the details requested.
6. For Expires, type the date that the self-signed certificate expires in **mm/dd/yyyy** format.
7. For Type, select **RSA** or **DSA**.
8. Specify a key length.

Note: The process to create a self-signed certificate can take up to 30 seconds, depending on the length of the key.

9. Click **Submit**.

Trusted Authorities

One or more authority certificates are used to verify the identity of a peer. Authority certificates are used with some wireless authentication methods. These certificates do not require a private key.

Trusted Authorities Settings	Description
Authority	<p>SSL authority certificate.</p> <p>RSA or DSA certificates are allowed.</p> <p>The format of the authority certificate can be PEM or PKCS7. PEM files must start with "-----BEGIN CERTIFICATE-----" and end with "-----END CERTIFICATE-----". Some Certificate Authorities add comments before and/or after these lines. Those comments must be deleted before upload.</p>
Authority Certificate Type	<p>This field automatically updates, depending upon extension of the certificate entered. If the field is NONE, the certificate is unsupported and will not load. If the field is PKCS12, enter the password in the corresponding field.</p>
Delete	<p>To delete an existing certificate authority, beside the specific authority, click Delete.</p>

To Upload a Trusted Authority Certificate

You can upload SSL authority, RSA, or DSA certificates.

To upload a trusted authority certificate:

1. In the Web Manager, click the **Administration** tab.
2. Click **SSL**.
3. Click **Trusted Authorities**.
4. To locate the valid certificate, for Authority, click **Browse**.

5. Locate, then double-click the certificate.

Notes:

- If you select SSL authority, RSA, or DSA certificates, for New Certificate Type, select **PEM** or **PKCS7**.
- Ensure that the certificate is formatted properly with a valid open and close tag.
- Ensure that the Private Key is associated to the selected certificate and that it is formatted properly with a valid open and close tag.

6. Click **Submit**.

Approaches for Uploading Authority Certificates

- You can upload multiple root authority or self-signed certificates. If you have two root authority certificates, then they will appear in the user interface as two trusted authority certificates with different common names.
- You can upload a root authority certificate with a chain of intermediate authority certificates signed by a Root Certificate Authority or by an intermediate Certificate Authority in a hierarchy. For example: **Root CA > Intermediate CA1**, issued by Root CA > **Intermediate CA2**, issued by Intermediate CA1.

Default Credential

The Wireless Print Solutions Adapter uses a device SSL credential for IPPS. This credential can be used wherever an SSL credential is required, such as HTTPS.

The device credential is created on the first boot and recreated after a factory reset. The Device host name is used as the CN attribute of the certificate. The credential is regenerated if the host name changes.



CAUTION: If you delete the device credential, SSH/TLS become unavailable.

Syslog

The System Log (Syslog) provides information that shows the current configuration and statistics of the Syslog. You can configure the Syslog Host and set the severity level for events to log.

Note: The system log is saved to local storage, but it is not retained through reboots unless diagnostics logging to the file system is enabled. To allow the administrator to save the complete system log, save the system log to a server that supports remote logging services. For details, refer to RFC 3164. The default port is 514.

To Configure Syslog Settings

1. In the Web Manager, click the **Administration** tab.
2. Click **Syslog**.
3. To enable Syslog, for State, select **Enabled**.
4. For Host, type the IP address of the remote server that stores the logs.

5. For Remote Port, enter the port number for the remote host that supports logging services. The default port number is 514.
6. For Severity Log Level, click the arrow to select the minimum level message type that you want the system to log.
7. Click **Submit**.

System

Use the System page to reboot the Wireless Print Solutions Adapter or restore it to factory settings as needed. You can reboot the device, restore factory defaults, upload new firmware and update its short and long names.

To Configure System Settings

1. In the Web Manager, click the **Administration** tab.
2. Click **System**.
3. Select desired action:
 - To reboot the Wireless Print Solutions Adapter, click **Reboot**.

Notes:

- When you reboot the Wireless Print Solutions Adapter, allow one minute for the process to complete.
- After the reboot process completes, wait an additional 20 seconds before making any connections to the adapter.
- To locate the device, click **Locate Device**. The Wireless Print Solutions Adapter will display a fast green LED light that blinks for two minutes. For details, see [Status LED](#) on page 15.
- To restore factory settings, click **Factory Defaults**, then to continue, click **OK**. The Wireless Print Solutions Adapter reboots automatically.

Notes:

- If you restore the device to original factory settings, all configured settings are reset to the default.
- After the reboot process completes, wait 20 seconds before you connect to the Wireless Print Solutions Adapter.
- To update the firmware for your Wireless Print Solutions Adapter, see [Installing New Firmware](#) on page 44.
- To enable or disable Near Field Communication (NFC), for **State**, select an option, then click **Submit**.
- To change the language for the Wireless Print Solutions Adapter, for **Language**, select an option, then click **Submit**.

User Management

To Change the User Admin Password

1. In the Web Manager, click the **Administration** tab.
2. Click **User Management**.
3. In the **Admin Password** field, enter the desired password.
Note: The default Admin Password is **PASS**.
4. Click **Submit**.

Cloning

The cloning feature allows you to:

- Clone settings from one Wireless Print Solutions Adapter to another.
- Export an XML configuration record (XCR) from one device and save it to use as an import file for another device.
- Save, then if necessary, restore the device settings.
- Edit the saved XML file to create a different configuration and then import that into one or more devices as needed.
- Dump the XML data to a screen or export it to a location on a file system.

Export Configuration

By default, all settings groups are checked.

To Export a Configuration File

1. In the Web Manager, click the **Administration** tab.
2. Click **Cloning**.
3. Click **Export Configuration**.
4. Select the desired options.
 - To create a configuration backup, along with a link to open it, select **Download (from link)**.
 - To export secret password and key information, select **Export secrets**.

**CAUTIONS:**

- To prevent unauthorized access to secure network information, such as secret passwords and network keys, use with extreme caution.
- Use only with a secure link.
- Save only in secure locations.

Note: Ensure that the group list is formatted as comma-delimited text and encased in double-quotation marks.

5. Click **Export**.

A file that contains the current configuration information is generated for download.

6. To access the exported configuration information, click **Current Configuration**.

Export Status

You can export the current status in XML format. By default, all groups are exported, or you can select a subset of groups to export.

To Export Status:

1. In the Web Manager, click the **Administration** tab.
2. Click **Cloning**.
3. Click **Export Status**.
4. For Groups to Export, select the status groups that you want to export to the XML configuration file.

Note: Ensure that the group list is formatted as comma-delimited text and encased in double-quotation marks.

5. Click **Export**.

The exported status appears in a new browser tab.

Import Configuration

To import system XML configuration file that you saved previously, use Import Configuration.

To Import a Configuration File

1. In the Web Manager, click the **Administration** tab.
2. Click **Cloning**.
3. Click **Import Configuration**.
4. To locate the XML configuration file that you want to import, click **Browse**, then select the file.
5. Click **Import**.
6. Click **Import Configuration**.

Quick Setup

Quick Setup provides a window to configure all basic settings for the Wireless Print Solutions Adapter. You can access Quick Setup on the Administration page and whenever you reset the Wireless Print Solutions Adapter to factory defaults. For details, see [To Configure System Settings](#) on page 41.

To Access the Quick Setup Page

1. In the Web Manager, click the **Administration** tab.
2. Click **Quick Setup**.
3. On the verification window that appears, click **OK**.

Note: If you want to bypass Quick Setup and proceed to the Status page, at the bottom of the page, click **Advanced Setup**.

To Configure Quick Setup Details

1. For **Locale**, select the desired **Language** from the menu.
2. For **Bridge 1 (br0)**:
 - a. For **State**, select to enable or disable the state.
 - b. For **Bridging Mac Address**, type the bridging Mac address details.
3. For **Network (wlan0)**:
 - a. For **Network Name (SSID)**, view the existing network/SSID name, if one is configured.
 - b. For **State**, select to enable or disable the state.
 - c. For **DHCP Client**, select to turn DHCP Client on or off.
 - d. for **IPv6 DHCP Client**, select to turn IPv6 DHCP Client on or off.
4. For **Available Networks**:
 - a. For **Refresh scan ever 60 seconds**, select the check box, then click **Scan** to scan the available networks every 60 seconds.
 - b. Scroll through the list of available networks, as needed.
5. For **Printer**, any printer that is configured appears.
6. For Add Printer:
 - a. For **IP Address**, type the IP address for the printer.
 - b. For **Name**, type the name of the printer as it will appear in the user interface.
 - c. For **Location**, type the location of the printer as it will appear in the user interface.
7. To clear any of the options that you have selected at any time, click **Clear**.
8. To submit your selections for Quick Setup, click **Submit**.

Installing New Firmware

You can install firmware for your Wireless Print Solutions Adapter when updates are released on Xerox.com.

To locate and install firmware for your Wireless Print Solutions Adapter:

1. Open a web browser, then type www.xerox.com/office/WPSAsupport.
2. Locate the firmware file archive in **.zip** format.
3. Download the file to your computer, then unzip the file. The firmware file will have a **.rom** file extension.

The zip file contains release notes, and instructions on how to install the firmware.

4. Open the instruction document and follow the process defined. Once the firmware installation finishes, the Wireless Print Solutions Adapter restarts.

Troubleshooting



You can use this section to troubleshoot common issues that can occur with the Wireless Print Solutions Adapter (WPSA).

Status LED never illuminates.	
Probable Cause	Solution
The WPSA does not have full power.	<ol style="list-style-type: none">1. Ensure that the AC power adapter is fully seated into the 5VDC Power Supply. For details, refer to the <i>Wireless Print Solutions Adapter Installation Guide</i> supplied with the device, or available at www.xerox.com/office/WPSAdocs.2. Ensure that the power adapter is plugged into a 100–240 VAC outlet.3. Ensure that the barrel connector is seated properly into the WPSA.

WPSA Does not acquire an IP address from the network.	
Probable Cause	Solution
The adapter is not connected to the access point.	Ensure that the adapter connects properly to the access point. For details, see Installing the Wireless Print Solutions Adapter on page 16.
Connectivity to the gateway server is interrupted.	Use Ping or Traceroute to check the gateway server. For details, see Ping on page 33.
The wireless access point connects to managed switches that use Spanning Tree protocol but protocols that manage DHCP issues are not enabled.	Ensure that PortFast for Cisco, FastLink for Netgear, or Edge Mode for Adtran are enabled on the network.
DHCP is not enabled on the network or it is malfunctioning.	Configure a static IP address. For details, see Wireless (wlan0) Network Interface Settings on page 23.

Cannot print from via PC.	
Probable Cause	Solution
The printer is not bridged onto the wireless network.	Connect to the web manager to ensure that the WPSA bridge is enabled. For details, see Bridge (br0) Settings on page 22.
The printer is offline.	Verify that the printer is online and accepting jobs.
The PC is on a different network than the printer.	Ensure that the printer IP address is accessible from the client PC. Use Ping or Traceroute to test connectivity and verify communication between the PC and the printer. For details see Ping on page 33.

Cannot locate printer or print from an iOS device.	
Probable Cause	Solution
The printer has not been added to the WPSA.	Ensure that the wireless adapter is set up to use the printer. For details, see To Add a Printer on page 29.
The Wireless adapter and the iOS device are not connected to the same Wi-Fi router or access point that is on the same subnet.	If the WPSA and the iOS device are on different routers or access points, ensure that mDNS Forwarding is enabled in both. Contact your router and/or access point manufacturer's technical support for assistance.
Multicast DNS is disabled on either the Wi-Fi router or the wireless Access point.	Enable multicast DNS on the Wi-Fi router or the wireless access point.

Cannot locate printer or print via Google Cloud Print.	
Probable Cause	Solution
The wireless adapter is not communicating with Google Cloud Print.	Ensure that the proxy server is set up, if required. For details, see Proxy Server on page 37.
The printer is not registered with Google Cloud Print.	Register your printer with Google Cloud Print. For details, see Google Cloud Print on page 31.
The printer name or IP address has changed.	On the WPSA Printer Configuration page, confirm that the IP address defined for the printer matches the IP address of your printer. For details see Printer Configuration on page 29.

Cannot locate printer or print from Android device.

Probable Cause	Solution
There is no print service installed on the Android device.	Ensure that the correct print service plugin is installed on the phone/tablet: <ul style="list-style-type: none"> • GoogleCloud Print • Mopria Print Service • Xerox Android Print Service You can download these plugins from the Google Play Store.
The print service is installed, but is not enabled.	Ensure that print service is enabled in the Android OS via the Settings Menu, Print Settings. For details, refer to your Android device documentation, or contact the Android device manufacturer for support.
The printer is not on the phone or tablet list of printers.	If the WPSA and the Android device are on different routers or access points, ensure that mDNS Forwarding is enabled in both. Contact your router and/or access point manufacturer's technical support for assistance.

Cannot connect to Adapter's embedded web server.

Probable Cause	Solution
The PC and Adapter are on different networks.	Ensure that the PC is connected to the same network as the WPSA. For details, see Accessing the Web Manager on page 17.
The adapter is powered off or is offline.	Ensure that the status LED on the WPSA is illuminated. For details, see Status LED on page 15.

Cannot find the SSID for the Adapter in available wireless connections.

Probable Cause	Solution
The adapter is powered off or is offline.	Ensure that the status LED on the WPSA is illuminated. For details, see Status LED on page 15.
The adapter is out of range of the PC or laptop.	Ensure that the laptop or PC is within wireless range of WPSA. Move the laptop or PC closer to the adapter.
SoftAP mode is disabled.	Ensure that SoftAP mode is enabled in the web manager. For details, see Access Point Settings on page 21.

Notice to Users in the European Union

Hereby, Xerox declares that Wireless Print Adapter is in compliance with Directives 1999/5/EC, 2006/95/EC, 2004/108/EC, 2002/95/EC, and 2009/125/EC.

The full text of the EU declaration of conformity is available at the following Internet address:
www.xerox.com/enviornment_europe.

Notice to Users in the United States

The Wireless Print Adapter has been tested and found to comply within the limits for Class B digital device pursuant to Part 15 of the FCC Rules. These limits are designed to provide reasonable protection against harmful interference in a residential installation. This equipment generates, uses, and can radiate radio frequency energy and, if not installed and used in accordance with the instructions, may cause harmful interference to radio communications. However, there is no guarantee that interference will not occur in a particular installation. If this equipment does cause harmful interference to radio and television reception, which can be determined by turning the equipment off and on, the user is encouraged to try to correct the interference by one or more of the following measures:

- (1) Reorient or relocate the device with its built-in receiving antenna.
- (2) Increase the separation between the equipment and receiver.
- (3) Connect the equipment into an outlet on a circuit different from that to which the receiver is connected.
- (4) Consult the dealer or an experienced radio/TV technician for help.

The user is cautioned that changes and modifications made to the equipment without the approval of manufacturer could void the user's authority to operate this equipment.

Operation is subject to the following two conditions:

- (1) This device may not cause harmful interference.
- (2) This device must accept any interference received, including interference that may cause undesired operation.

The radiated output power of the print server is far below the FCC radio frequency exposure limits. Nevertheless, the print server shall be used in such a manner that the potential for human contact during normal operation is minimized.

To satisfy RF exposure requirements, this device and its antennas must operate with the separation distance of at least 20 centimeters from all persons and must not be co-located or operating in conjunction

with any other antenna or transmitter. End users must be provided with specific operating instructions for satisfying RF exposure compliance.

Notice to Users in Canada

The Wireless Print Adapter does not exceed the Class B limits for radio-emissions.
CAN ICES-3 (B)/NMB-3(B)

This transmitter must not be co-located or operating in conjunction with any other antenna or transmitter. This equipment should be installed and operated with a minimum distance of 20 centimeters between the radiator and your body.

This device complies with Industry Canada's license-exempt RSSs. Operation is subject to the following two conditions:

- (1) This device may not cause interference; and
- (2) This device must accept any interference, including interference that may cause undesired operation of the device.

As a License-Exempt Local Area Network (LE-LAN) device, there are operational restrictions:

- (1) the device for operation in the band 5150-5250 MHz is only for indoor use to reduce the potential for harmful interference to co-channel mobile satellite systems;
- (2) the maximum antenna gain permitted for devices in the bands 5250-5350 MHz and 5470-5725 MHz shall comply with the e.i.r.p. limit; and
- (3) the maximum antenna gain permitted for devices in the band 5725-5825 MHz shall comply with the e.i.r.p. limits specified for point-to-point and non point-to-point operation as appropriate.

Be advised that high-power radars are allocated as primary users (i.e. priority users) of the bands 5250-5350 MHz and 5650-5850 MHz and that these radars could cause interference and/or damage to LE-LAN devices.

Standards and Norms

Emissions and Immunity

European

- EN 300 328
- EN 301 489-01
- EN 301 489-17
- EN 301 893
- EN 61000-3-3
- EN 61000-3-2

- EN 55024
- EN 55022

American

- FCC 15.21
- FCC 15.105
- FCC 15E
- FCC 15.247
- FCC 15.407

Canadian

- ICES-003
- RSS-210

Safety

- UL/IEC/EN 60950-1

Energy Efficiency (Power Adapter)

- (EC) No 278/2009 - Lot 7
- DoE - External Power Supplies - 10 CFR 430.32(w)
- NR Canada - External Power Supplies - CSA C381.1-08

