



Max

by **LOVENSE**

English

A MESSAGE FROM THE LOVENSE TEAM

Thank you for choosing LOVENSE!

Launched in late 2013, Max and Nora were the first app-based, interactive sex toys of its kind. Our dedicated team of developers are still working hard to bring you the software features you want and expect from a sex tech company... and it's mainly thanks to our customers. Our customers' feedback has allowed us to continually improve and establish ourselves as one of the pioneers of teledildonic technology.

Got feedback? We'd love to hear from you, too! Shoot us an e-mail at app@lovense.com and we'll pass on your suggestions to the development team. Together, we can continue to create innovative sex toys for years to come. Thanks again for your support!

GETTING STARTED

We strongly recommend viewing our video guides while setting up! Please visit: <http://www.lovense.com/guide>.

If you're a cam model, in addition to viewing our regular guide, please visit this guide for using our chrome extension: <http://www.lovense.com/cam-model/guide>

Button Instruction

Turn On/Off ----- Press and Hold Button A (for 3 seconds)

Tap Button A ----- Toggles Vibration Speeds

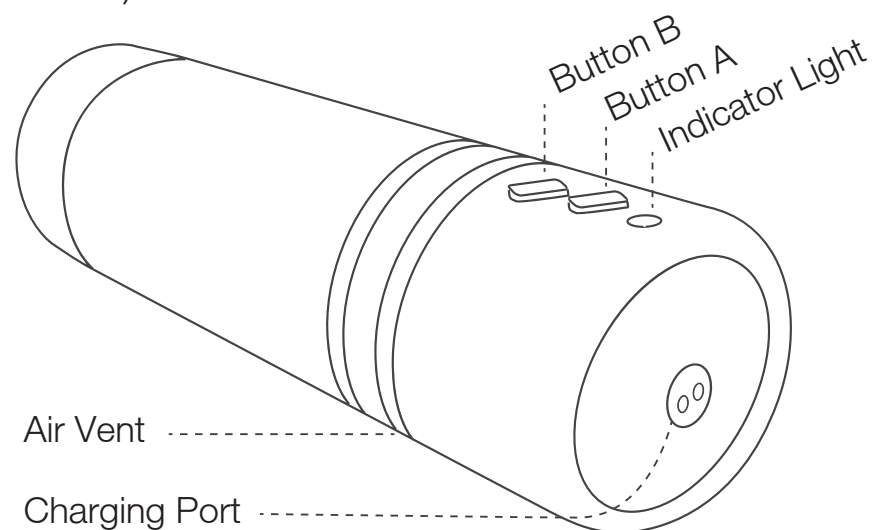
Tap Button B ----- Toggles Air Pump Settings

Air Pump Details

Level 1 : Subtle Contractions

Level 2 : Mild Contractions

Level 3 : Deep Contractions (tightest)

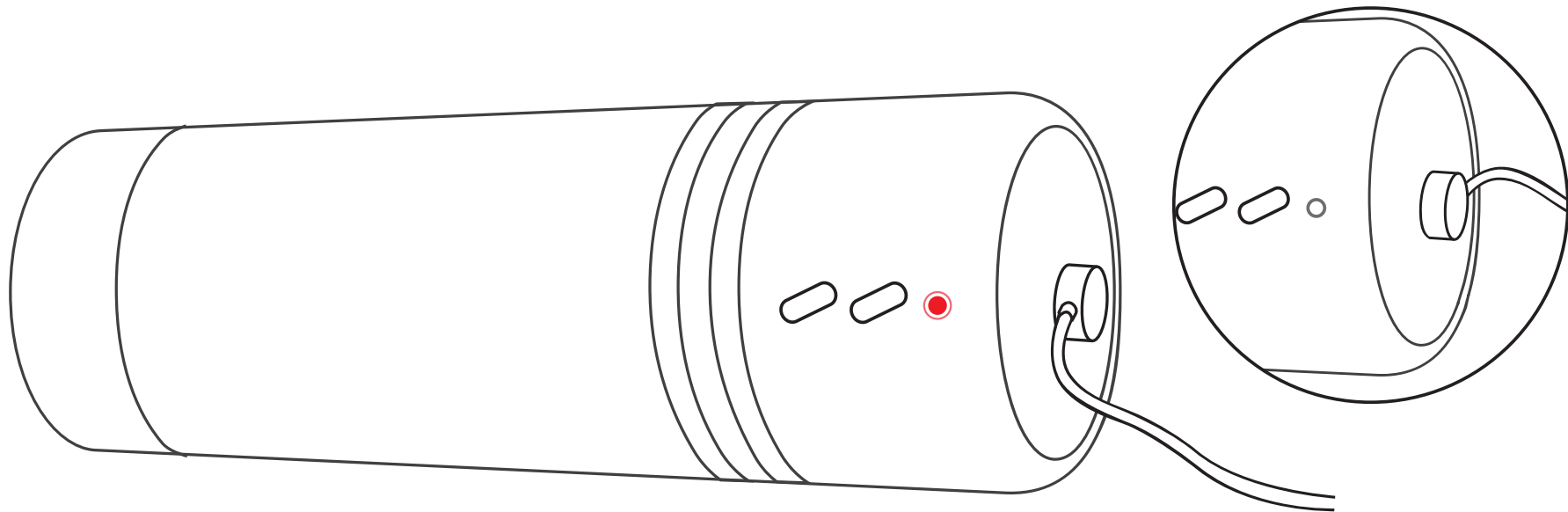


CHARGING

Turn off the device before charging. The cable can be plugged into any USB port or USB/AC power adapter to start charging. It will take approximately 2 hours to fully charge. Once it is fully charged, the solid red light will turn off.

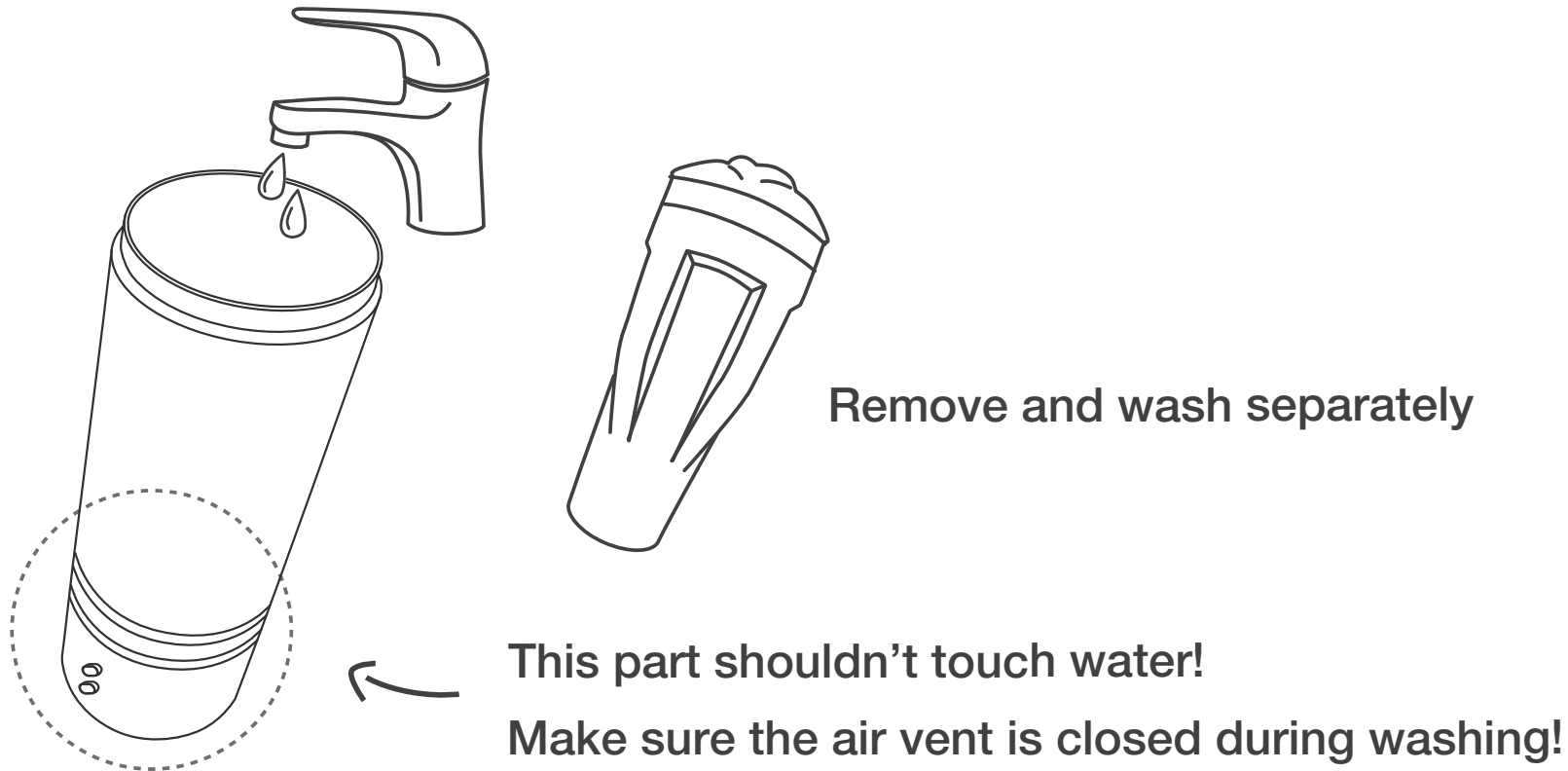
NOTE:

It is a magnetic charger and will only work if positioned correctly. When attempting to charge, if a solid red light doesn't turn on, rotate the cable 180 degrees.



CLEANING & CARE

- Clean your device before and after each use.
- Clean with warm water. Do NOT use soap on the inner sleeve, as it may degrade the material.
- Dry thoroughly before storing.
- Keep away from extreme heat or cold.

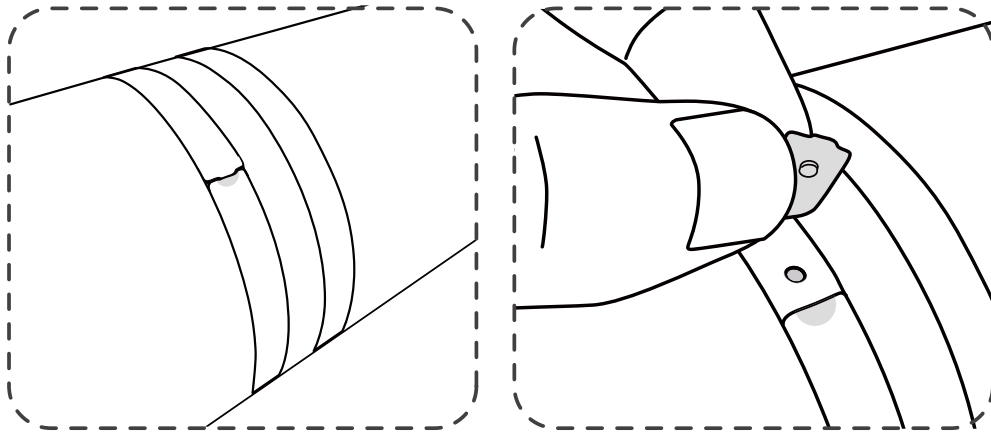


USAGE TIPS

Air Vent

If the toy is too tight, locate the air vent which is on the opposite sides of the buttons.

During use, try rhythmically covering and uncovering the vent- it may improve the sensation.



Lubricant

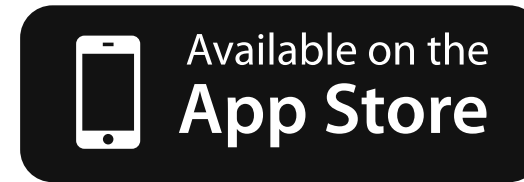
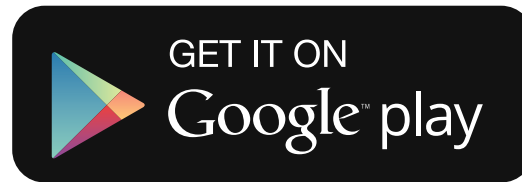
Before insertion, generously apply lube to the inside of the sleeve, the entry hole and your penis. Water based lube may dry out quickly, so you may need to reapply.

We recommend using JO Anal H2O Lubricant for the best experience.



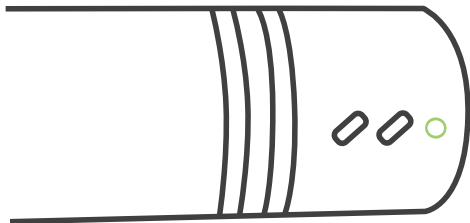
HOW TO CONNECT

- 1 Download our “Body Chat” app:



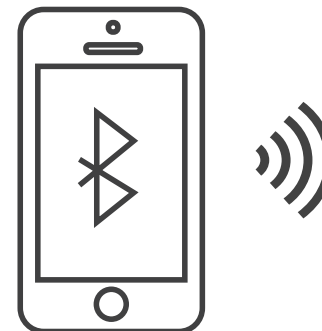
Links to our smartphone and PC/MAC software available here:
www.lovense.com/sext toys/download

- 2 Turn on Max



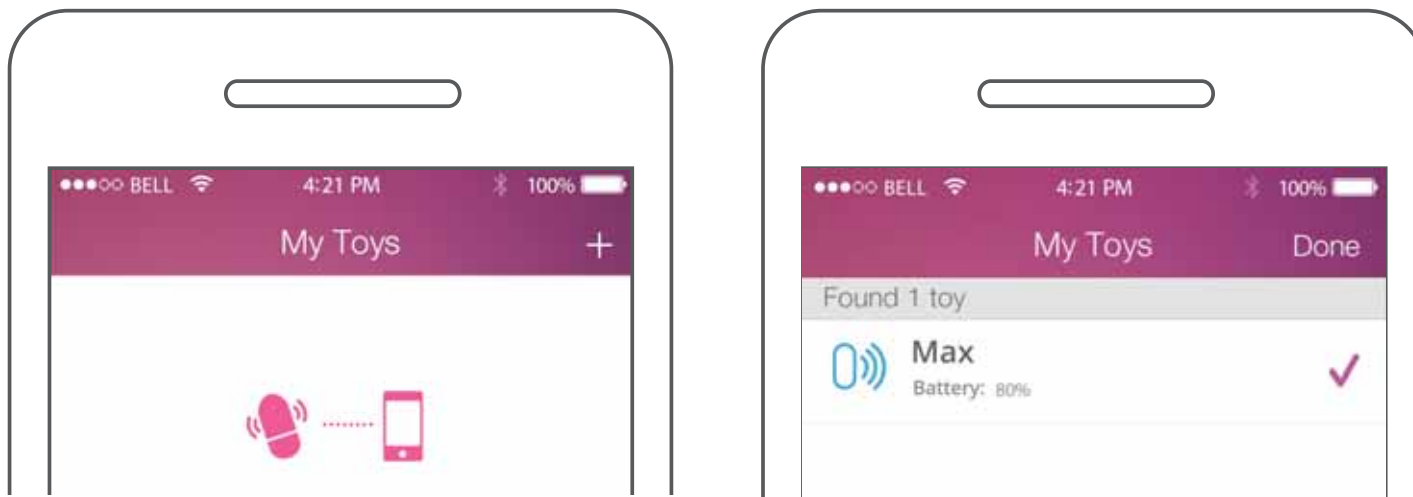
(Press down and hold button A for 3-4 seconds.)

- 3 Pair with your device



PAIRING WITH A SMARTPHONE

1. Turn on Max. A blinking green light means it's ready to connect.
2. Open and log into to the Body Chat app.
3. Go to the "Toys" tab and press "+".
4. After Max is found, press "Done".



NOTES:

- A solid green light means the toy is connected to your device.
- You only have to pair your toy once. Next time it should automatically connect with your phone.

PAIRING WITH PC/MAC

1. Turn on your computer's Bluetooth. (If it doesn't have Bluetooth, we have included a USB Bluetooth Dongle.)



1-1 Windows



1-2 MAC

2. **PC:** Double-click the Bluetooth icon. Click "Add a device".
MAC: Click "Browse Files on Device..."



2-1 Windows



2-2 MAC

3. **PC:** Select the device that starts with “LVS-” (or “Other”) and click “Next”. Click "Enter the device's pairing code". Enter the pairing code, which is 0000. Click "Next".

MAC: Select the device that starts with “LVS-” (or “Other”) and click “Pair”.

4. Max should now be connected to your computer.

5. Open Google Chrome Internet Browser.

(If you don't have this browser, you can download it for free.)

6. Visit www.lovense.com/sext toys/download using Chrome and click the link to install our PC/MAC app.

7. Log into the app and click "Add a toy". You will now be able to connect with your partner via your computer.

CONNECTING WITH PARTNER

1. Go to the “People” tab and click “+” to add your partner.
2. After they accept your request, they will show up on your contact list.
3. Click their name to chat and you will see the following connecting options:



With Video



Without Video

NOTES:

- Both options will enable you to give/take long distance control or have long distance sex.
- We recommend using a 3rd party video chat service (like Skype) for a smoother video connection if you have two internet-connected devices you can use simultaneously.

TROUBLESHOOTING

SMARTPHONE USERS

1. Use the in-app tips to help you.
2. Use the help guide in the “Settings” tab.

OTHER RESOURCES

1. View our video guides - www.lovense.com/guide
2. Visit our FAQ page – www.lovense.com/sext toys/faq

For additional assistance, use the contact form at lovense.com/contact. Someone from the Lovense team will normally reply within 12-24 hours.

WHAT'S INCLUDED:

- (1) Max Bluetooth Male Masturbator
- (1) USB Charging Cable
- (1) USB Bluetooth Dongle
- (1) User Manual

SPECIFICATIONS

Materials: ABS / Skin-like TPE

Size : 230mm x 74mm x 74mm

Weight : 580g

Battery : Li-Ion Rechargeable

Use Time : up to 180 Minutes

Standby : up to 100 Hours

WARRANTY TERMS AND CONDITIONS

LOVENSE warrants this product for a period of ONE (1) YEAR, after the date of original purchase, against defects due to faulty workmanship or materials. If you discover a defect and notify LOVENSE during the warranty period, LOVENSE will, at its discretion, replace the product free of charge.

The warranty covers working parts that affect the function of the product. It does NOT cover cosmetic deterioration caused by fair wear and tear or damage caused by accident, misuse or neglect. Any attempt to open or take apart the product (or its accessories) will void the warranty.

Claims under warranty must be supported by reasonable evidence that the date of the claim is within the warranty period. To validate your warranty, please contact us using the form at lovense.com/contact. Provide your order ID# (or receipt from an authorized reseller) with your email.

FCC Caution.

This device complies with part 15 of the FCC Rules. Operation is subject to the following two conditions: (1) This device may not cause harmful interference, and (2) this device must accept any interference received, including interference that may cause undesired operation.

Any Changes or modifications not expressly approved by the party responsible for compliance could void the user's authority to operate the equipment.

Note: This equipment has been tested and found to comply with the limits for a Class B digital device, pursuant to part 15 of the FCC Rules. These limits are designed to provide reasonable protection against harmful interference in a residential installation. This equipment generates uses and can radiate radio frequency energy and, if not installed and used in accordance with the instructions, may cause harmful interference to radio communications. However, there is no guarantee that interference will not occur in a particular installation. If this equipment does cause harmful interference to radio or television reception, which can be determined by turning the equipment off and on, the user is encouraged to try to correct the interference by one or more of the following measures:

- Reorient or relocate the receiving antenna.
- Increase the separation between the equipment and receiver.
- Connect the equipment into an outlet on a circuit different from that to which the receiver is connected.
- Consult the dealer or an experienced radio/TV technician for help.

The device has been evaluated to meet general RF exposure requirement. The device can be used in portable exposure condition without restriction.