

COMMERCIAL PRODUCT

IVFID10

60cm-wide fully-integrated dishwasher

SIZE mm

598W x 550D x 820Hmm (adjustable +5cm)
door panel: 597mm (maximum)

FINISH

stainless steel interior
stainless steel door handle
door panel & kick panel supplied and fitted by builder

CAPACITY FEATURES

- 15 place settings
- 8 wash programs: Mini 18' (Jet Wash), Quick 30', ECO, Super 50', Dual Pro Wash, Hygiene, Auto Delicate, Auto Intensive
 - temperatures: auto,30/40/50/60/65/70°C
 - touch control
 - hidden heating element
 - metal filter
 - turbidity sensor (Smart Wash)
 - turbo drying system
 - overflow and leakage protection
 - auto door closure
 - 3rd basket (Easy Tray)
 - adjustable upper basket
 - 2x mug shelves
 - foldable racks on upper basket
 - foldable racks on lower basket
 - 44 dBA
 - annual energy consumption kWh/year (cold water): 245
 - water consumption: 12.2 litres
 - program duration: 138 minutes
 - water inlet hose: 147mm
 - water outlet hose: 200mm

POWER

10 amp, 3-pin plug with 165mm cord
Off mode power consumption: 0.50W
On mode power consumption: 1.00W



4★ ENERGY RATING
5★ WATER RATING



EAN 9341584037466

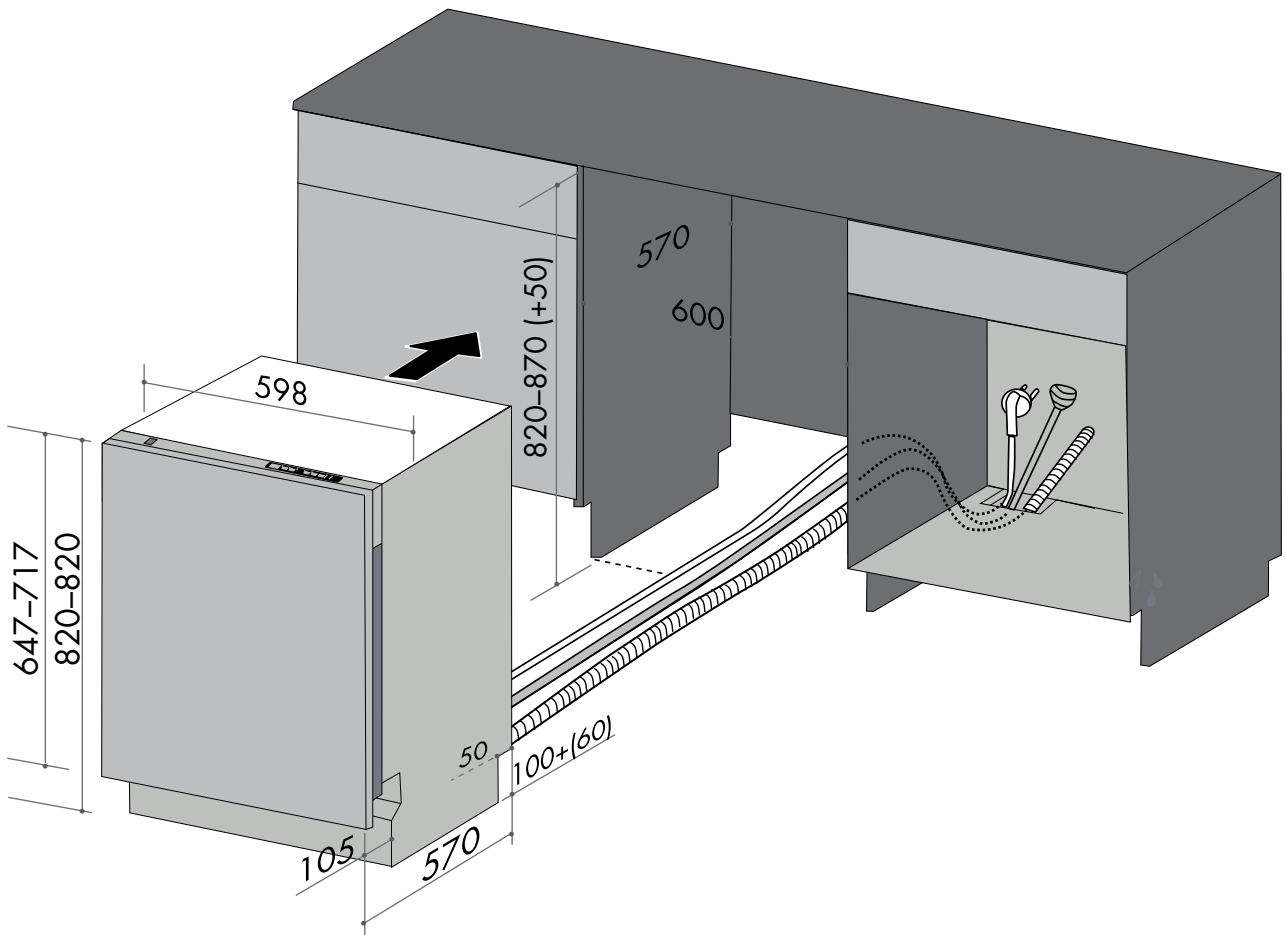
DISCLAIMER

Eurolinx Pty Ltd, trading as ILVE Appliances, is continually seeking ways to improve the design specifications, aesthetics and production techniques of its products. As a result alterations to our products and designs take place continually. Whilst every effort is made to produce information and literature that is up to date, this brochure should not be regarded as an infallible guide to the current specifications, nor does it constitute an offer for the sale of any particular product. Product dimensions indicated in our literature is indicative only. Actual product only should be used to define dimension cutouts. Distributors, and retailers are not agents of ILVE Appliances and are not authorized to bind ILVE Appliances by any express or implied undertaking or representation.

COMMERCIAL PRODUCT

IVFID10

60cm-wide fully-integrated dishwasher




NB: drawings are not to scale — they are to be used as a guide only. For detailed installation instructions, please refer to user guide.

You can find us on:

 facebook.com/ILVEappliances

 twitter.com/ILVE_appliances

 youtube.com/ILVEappliances

 liveswithilve.com

Australia National Telephone Number 1300 MYILVE (694 583) New Zealand Telephone Number 0508 458 369
ILVE showrooms are open Tuesday to Friday from 9am-5pm and Saturdays 10am-4pm

ilve.com.au

**NSW & ACT
(head office)**

48 Moore Street
Leichhardt
02 8569 4699

VIC | SA

1211 Toorak Road
CAMBERWELL
03 9809 2155

QLD

1/42 Cavendish Road
COORPAROO
07 3397 0850

WA | NT

10/55 Howe Street
OSBORNE PARK
08 9201 9188

New Zealand

PO Box 11.160
Sockburn Christchurch
03 344 5906