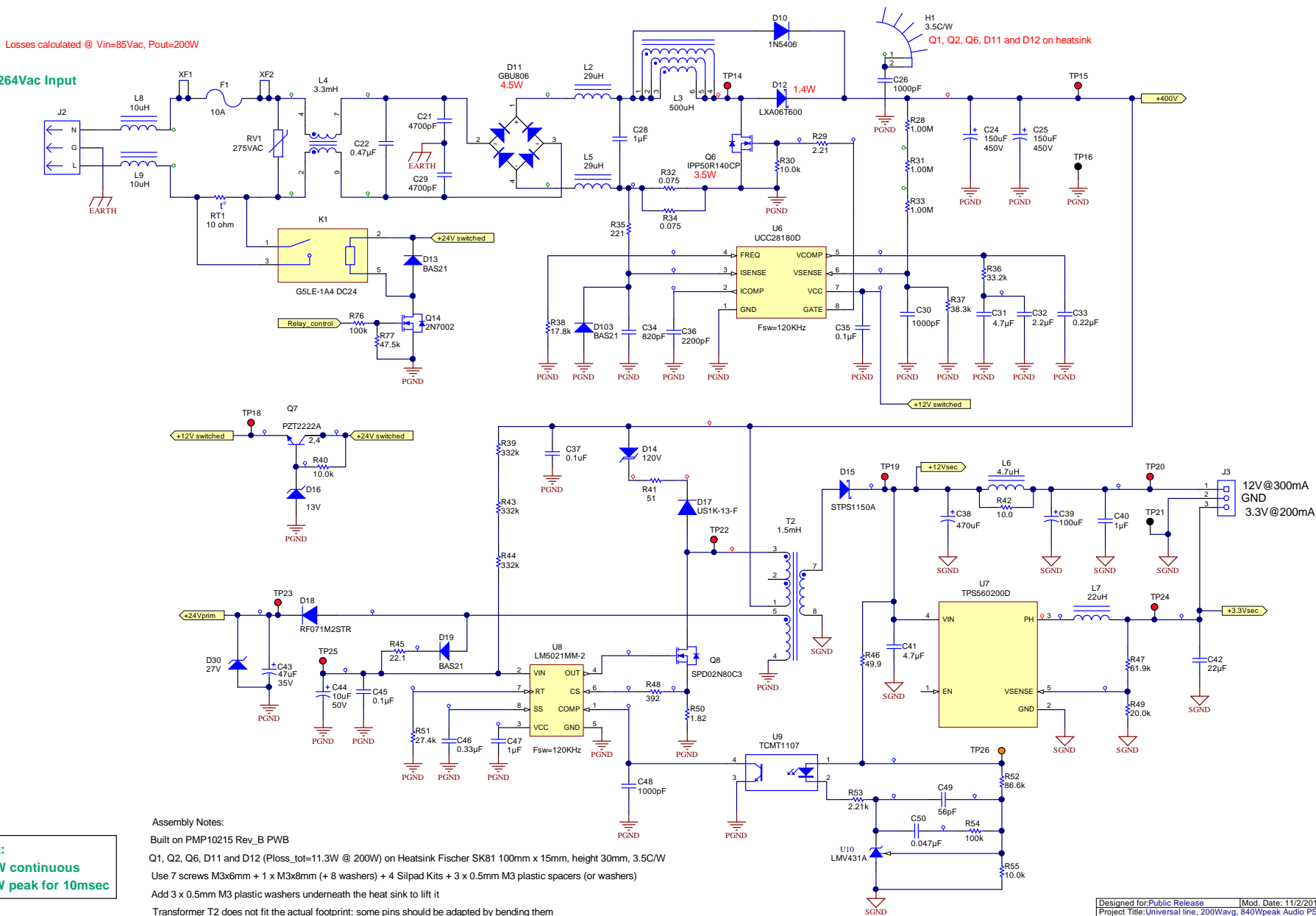


85Vac...264Vac Input

Losses calculated @ Vin=85Vac, Pout=200W



Pout:
200W continuous
840W peak for 10msec

Assembly Notes:

Built on PMP10215 Rev_B PWB

Q1, Q2, Q6, D11 and D12 (Ploss_tot=11.3W @ 200W) on Heatsink Fischer SK81 100mm x 15mm, height 30mm, 3.5C/W

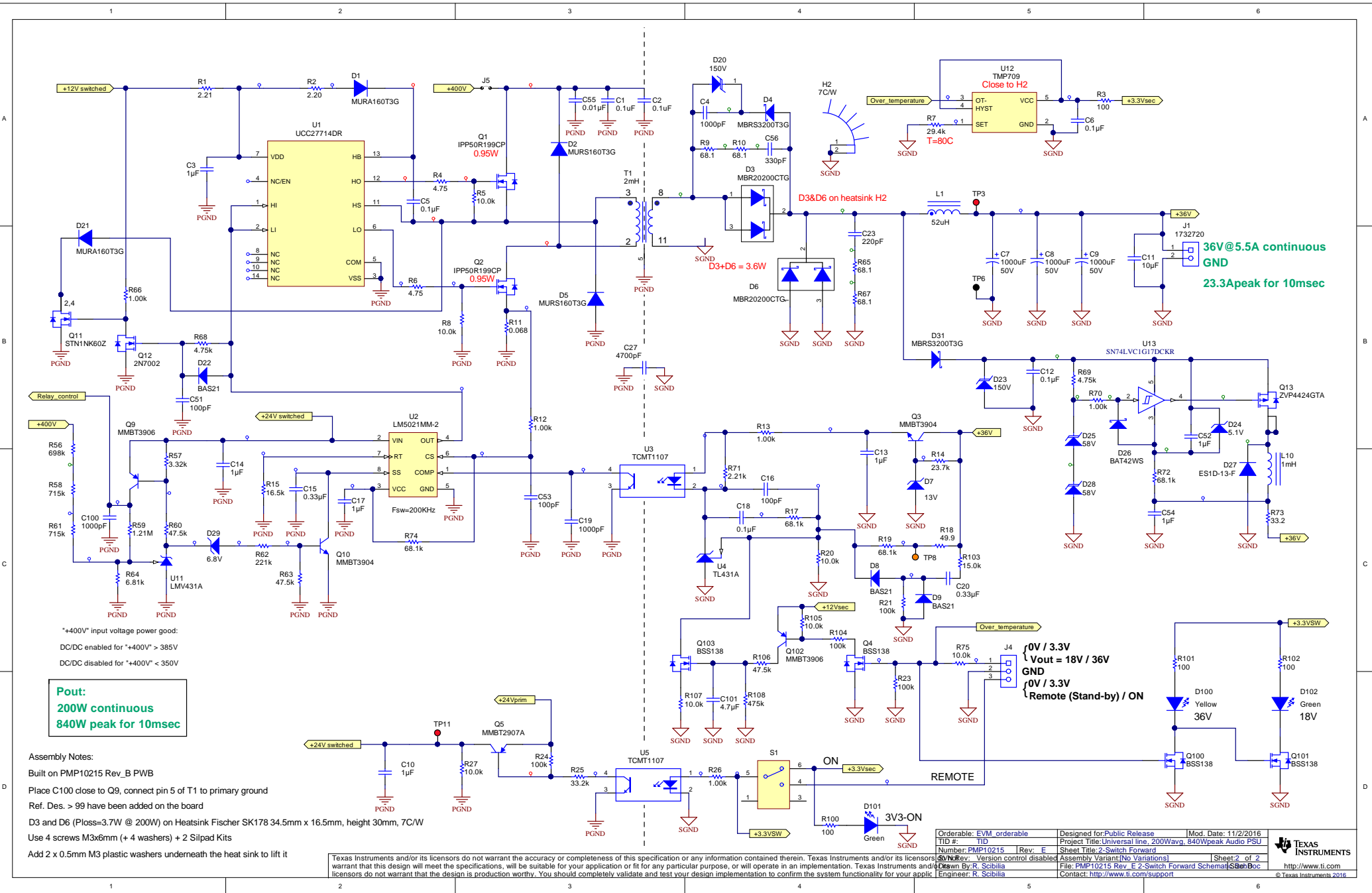
Use 7 screws M3x6mm + 1 x M3x8mm (+ 8 washers) + 4 Silpad Kits + 3 x 0.5mm M3 plastic spacers (or washers)

Add 3 x 0.5mm M3 plastic washers underneath the heat sink to lift it

Transformer T2 does not fit the actual footprint; some pins should be adapted by bending them

Texas Instruments and/or its licensors do not warrant the accuracy or completeness of this specification or any information contained therein. Texas Instruments and/or its licensors warrant that this design will meet the specifications, will be suitable for your application or fit for any particular purpose, or will operate in an implementation. Texas Instruments and/or its licensors do not warrant that the design is production worthy. You should completely validate and test your design implementation to confirm the system functionality for your application.

Designed for: Public Release	Mod. Date: 11/2/2016	
Project Title: Universal line, 200Wavg, 840Wpeak Audio PSU	Sheet Title: PFC stage + Auxiliary PSU	
Assembly Variant: [No Variations]	Sheet: 1 of 2	
File: PMP10215 Rev_E_PFC Boost + Aux Schematic	Contact: http://www.ti.com/support	



+400V input voltage power good:
 DC/DC enabled for +400V > 385V
 DC/DC disabled for +400V < 350V

Output:
 200W continuous
 840W peak for 10msec

- Assembly Notes:**
- Built on PMP10215 Rev_B PWB
 - Place C100 close to Q9, connect pin 5 of T1 to primary ground
 - Ref. Des. > 99 have been added on the board
 - D3 and D6 (Ploss=3.7W @ 200W) on Heatsink Fischer SK178 34.5mm x 16.5mm, height 30mm, 7C/W
 - Use 4 screws M3x6mm (+ 4 washers) + 2 Silpad Kits
 - Add 2 x 0.5mm M3 plastic washers underneath the heat sink to lift it

Texas Instruments and/or its licensors do not warrant the accuracy or completeness of this specification or any information contained therein. Texas Instruments and/or its licensors warrant that this design will meet the specifications, will be suitable for your application or fit for any particular purpose, or will operate in an implementation. Texas Instruments and/or its licensors do not warrant that the design is production worthy. You should completely validate and test your design implementation to confirm the system functionality for your application. Engineer: R. Scibilia

Orderable: EVM, orderable	Designed for: Public Release	Mod. Date: 11/2/2016
TID #: TID	Project Title: Universal line, 200Wavg, 840Wpeak Audio PSU	
Number: PMP10215	Rev: E	Sheet: 2 of 2
Version: Version control disabled	Assembly Variant: [No Variations]	
Drawn By: R. Scibilia	File: PMP10215 Rev_E 2-Switch Forward Schematic	Sheet: 2 of 2
Engineer: R. Scibilia	Contact: http://www.ti.com/support	



IMPORTANT NOTICE AND DISCLAIMER

TI PROVIDES TECHNICAL AND RELIABILITY DATA (INCLUDING DATASHEETS), DESIGN RESOURCES (INCLUDING REFERENCE DESIGNS), APPLICATION OR OTHER DESIGN ADVICE, WEB TOOLS, SAFETY INFORMATION, AND OTHER RESOURCES "AS IS" AND WITH ALL FAULTS, AND DISCLAIMS ALL WARRANTIES, EXPRESS AND IMPLIED, INCLUDING WITHOUT LIMITATION ANY IMPLIED WARRANTIES OF MERCHANTABILITY, FITNESS FOR A PARTICULAR PURPOSE OR NON-INFRINGEMENT OF THIRD PARTY INTELLECTUAL PROPERTY RIGHTS.

These resources are intended for skilled developers designing with TI products. You are solely responsible for (1) selecting the appropriate TI products for your application, (2) designing, validating and testing your application, and (3) ensuring your application meets applicable standards, and any other safety, security, or other requirements. These resources are subject to change without notice. TI grants you permission to use these resources only for development of an application that uses the TI products described in the resource. Other reproduction and display of these resources is prohibited. No license is granted to any other TI intellectual property right or to any third party intellectual property right. TI disclaims responsibility for, and you will fully indemnify TI and its representatives against, any claims, damages, costs, losses, and liabilities arising out of your use of these resources.

TI's products are provided subject to TI's Terms of Sale (<https://www.ti.com/legal/termsofsale.html>) or other applicable terms available either on [ti.com](https://www.ti.com) or provided in conjunction with such TI products. TI's provision of these resources does not expand or otherwise alter TI's applicable warranties or warranty disclaimers for TI products.

Mailing Address: Texas Instruments, Post Office Box 655303, Dallas, Texas 75265
Copyright © 2021, Texas Instruments Incorporated