

SOLENOID / PNEUMATIC VALVES YPC 5-PORT



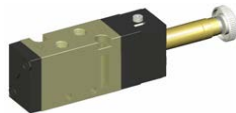
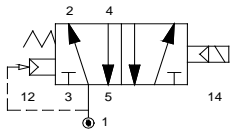
SERIES SF 1000 (port size M5) - technical features



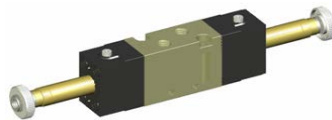
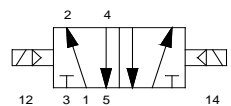
	MODEL				
	(SF510) SF1101-IP	(SF520) SF1200-IP	(SF530) SF1303-IP	(SF540) SF1403-IP	(SF550) SF1503-IP
Fluids	compressed air 50 micron, with or without lubrication				
Working pressure	1,5 ÷ 8 bar	1 ÷ 8 bar	2 ÷ 8 bar	2 ÷ 8 bar	2 ÷ 8 bar
Eff. Sectional Area (mm ²)-5 bar	3.6	3.6	3.0	3.0	3.0
Ambient and fluid temperature	from + 5 °C to + 60 °C				
Response time (5bar)	25 ms or less		35 ms or less		
Max working frequency	5 Hz.		3 Hz.		
Manual override	push button (standard), Lever lock (option)				
Standard tension	24V DC		24V AC		
Permissible voltage variation	± 10 %				
Coil insulation class	F class				
Off min. residual voltage	holding AC (4,0 VA)		holding DC (2,5 W)		
Protection degree	IP 65		with connector DIN		

ATTENTION: PLEASE USE ELECTRIC COILS TYPE BOB 15 (SPECIFY TENSION DEGREE)

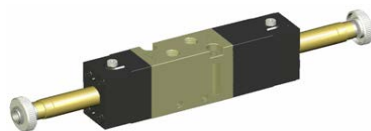
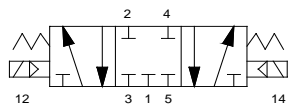
SF1101-IP- 5/2 single
(OLD CODE: SF 510)



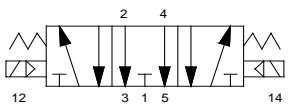
SF1200-IP- 5/2 double
(OLD CODE: SF 520)



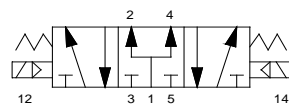
SF1303-IP- 5/3 closed center
(OLD CODE: SF 530)



SF1403-IP- 5/3 open center
(OLD CODE: SF 530)

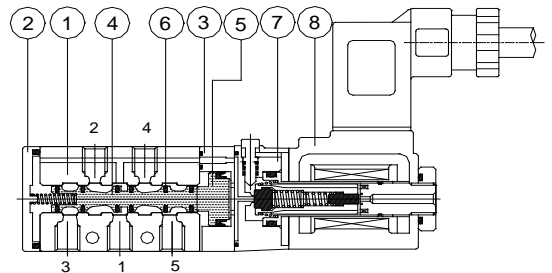


SF1503-IP- 5/3 pressure center
(OLD CODE: SF 530)



MATERIAL

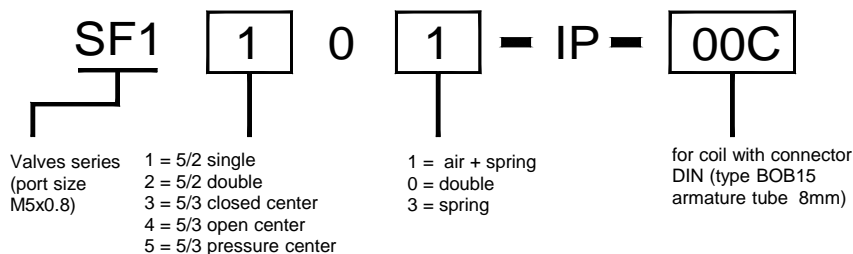
	Valve body	Aluminium
1	Valve body	Aluminium
2	Cap	Die-cast zamak
3	Semipilot	Die-cast zamak
4	Spool	Aluminium
5	Piston	Acetyl Resin (POM)
6	Seals	Nitrile rubber (NBR)
7	Pilot	Thermoplastic
8	Solenoid coil	Thermoplastic



EXAMPLE FOR ORDERING

SF1101-IP-02400C
solenoid SERIES SF1000
5/2 single with M5
return method air+spring
with coil 24 Volt DC
with predisposition of connector DIN
(to order separately URS102/7...)

ORDERING NUMBER



SOLENOID AND PNEUMATIC VALVES YPC 5-PORT

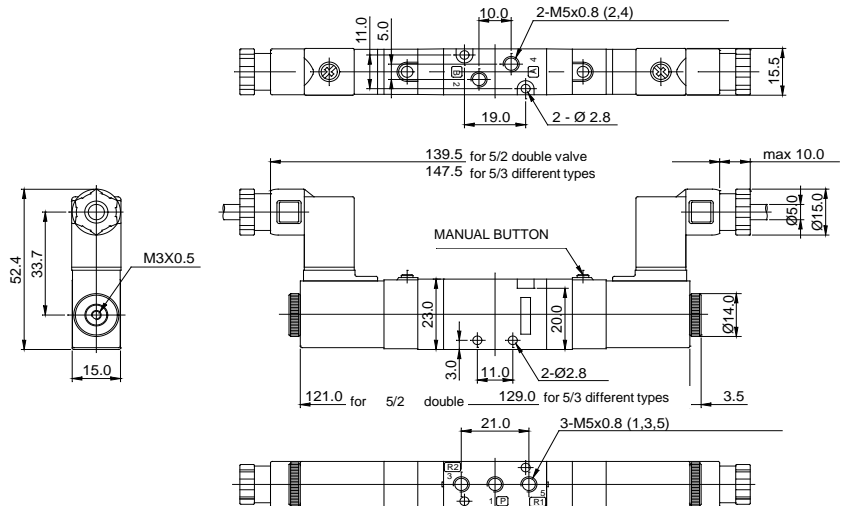
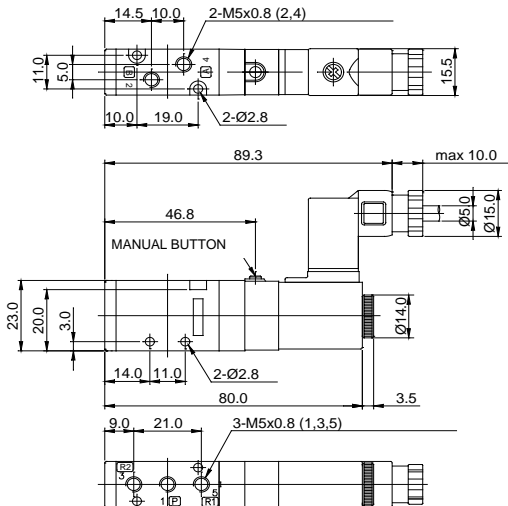


SERIES SF 1000 (port size M5) - dimensions -

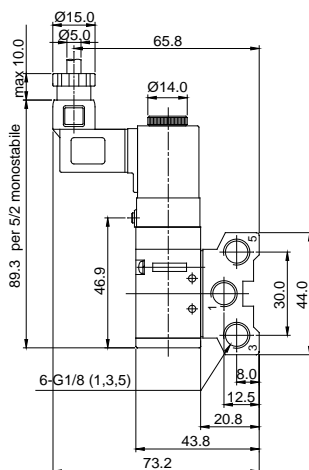
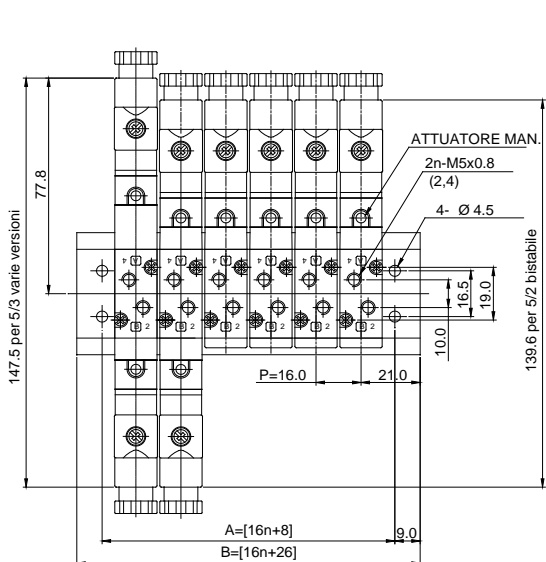
SF1101-IP- 5/2 single

SF1200-IP- 5/2 double

SF1303-1403-1503-IP 5/3 different types



MF 1500 M ... Base manifold for solenoid valves series SF 1000 (port size M5)

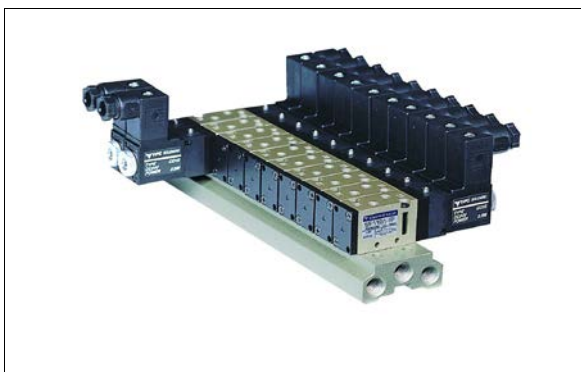


ORDERING NUMBER MANIFOLD

MF1500 - M..

for solenoid valve serie SF1000 (port size M5)

M02 = 2 station
M04 = 4 station
M06 = 6 station
M08 = 8 station
M10 = 10 station



DIMENSIONS "A" AND "B"

n = number positions

n	2	4	6	8	10
A	40	72	104	136	168
B	58	90	122	154	186

ATTENTION:
EVENTUAL CLOSING PLATE WITH SEALS AND MOUNTING SCREW FOR PLACE VALVE NOT USED
COD. MF1500-BLK (OLD CODE: MFP500)

SOLENOID / PNEUMATIC VALVES YPC 5-PORT



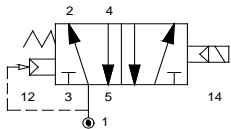
SERIES SF 2000 (port size 1/8") - technical features



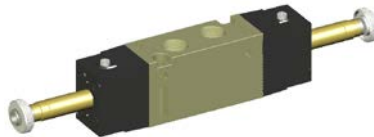
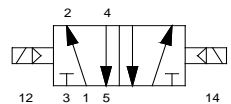
	MODEL				
	(SF1110) SF2101-IP	(SF1210) SF2200-IP	(SF1310) SF2303-IP	(SF1410) SF2403-IP	(SF1510) SF2503-IP
Fluids	compressed air 50 micron, with or without lubrication				
Working pressure	1,5 ÷ 8 bar	1 ÷ 8 bar	2 ÷ 8 bar	2 ÷ 8 bar	2 ÷ 8 bar
Eff. Sectional Area (mm ²)-5 bar	12.6	12.6	9.0	9.0	9.0
Ambient and fluid temperature	from + 5 °C to + 60 °C				
Response time (5bar)	25 ms or less		35 ms or less		
Max working frequency	5 Hz.		3 Hz.		
Manual override	push button (single)				
Standard tension	24V DC	24V AC	110V AC	(220V AC if required)	
Permissible voltage variation	± 10 %				
Coil insulation class	F class				
Off min. residual voltage	holding AC (3,5 VA)		holding DC (2,5 W)		
Protection degree	IP 65		with connector DIN		

ATTENTION: PLEASE USE ELECTRIC COILS TYPE BOB 18 (SPECIFY TENSION DEGREE)

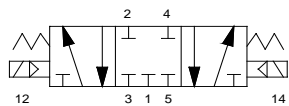
SF2101-IP- 5/2 single
(OLD CODE: SF 1110)



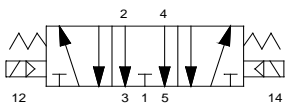
SF2200-IP- 5/2 double
(OLD CODE: SF 1210)



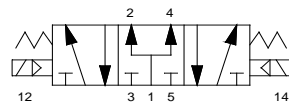
SF2303-IP- 5/3 closed center
(OLD CODE: SF 1310)



SF2403-IP- 5/3 open center
(OLD CODE: SF 1410)

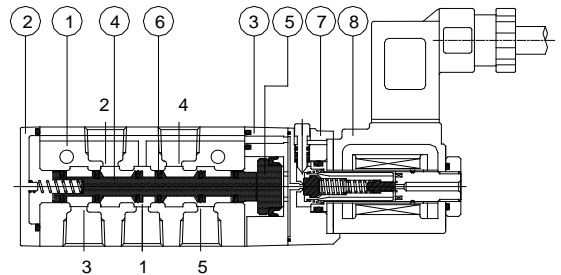


SF2503-IP- 5/3 pressure center
(OLD CODE: SF 1510)



MATERIAL

1	Valve body	Aluminium
2	Cap	Die-cast zamak
3	Sempilot	Die-cast zamak
4	Spool	Aluminium
5	Piston	Acetyl Resin (POM)
6	Seals	Nitrile rubber (NBR)
7	Pilot	Thermoplastic
8	Solenoid coil	Thermoplastic



EXAMPLE FOR ORDERING

SF2101-IP-02400C
solenoid SERIES SF2000
5/2 single with 1/8"
return method air+spring
with coil 24 Volt DC
with predisposition of connector DIN
(to order separately URS102/7...)

ORDERING NUMBER

SF2
1
0
1
- IP -
00C

Valves series
(port size G
1/8")

- 1 = 5/2 single
- 2 = 5/2 double
- 3 = 5/3 closed center
- 4 = 5/3 open center
- 5 = 5/3 pressure center

1 = air + spring
0 = double
3 = spring

for coil with connector
DIN (type BOB18
armature tube 8mm)

SOLENOID / PNEUMATIC VALVES YPC 5-PORT

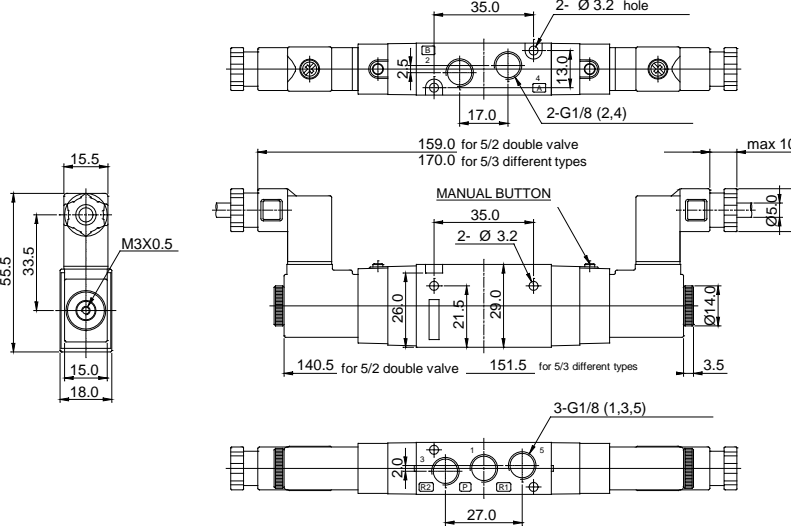
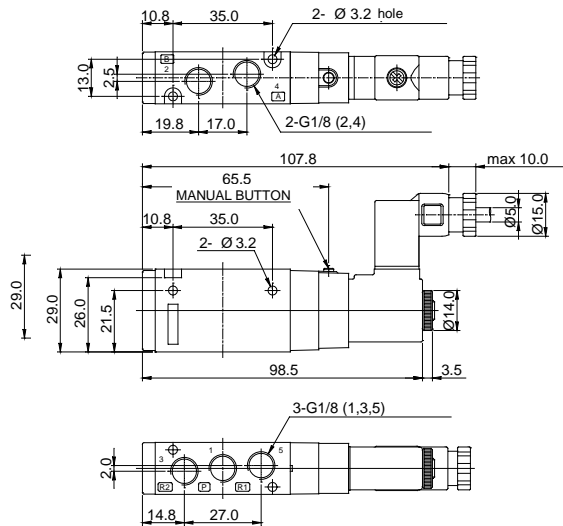


SERIES SF 2000 (port size 1/8") - dimensions -

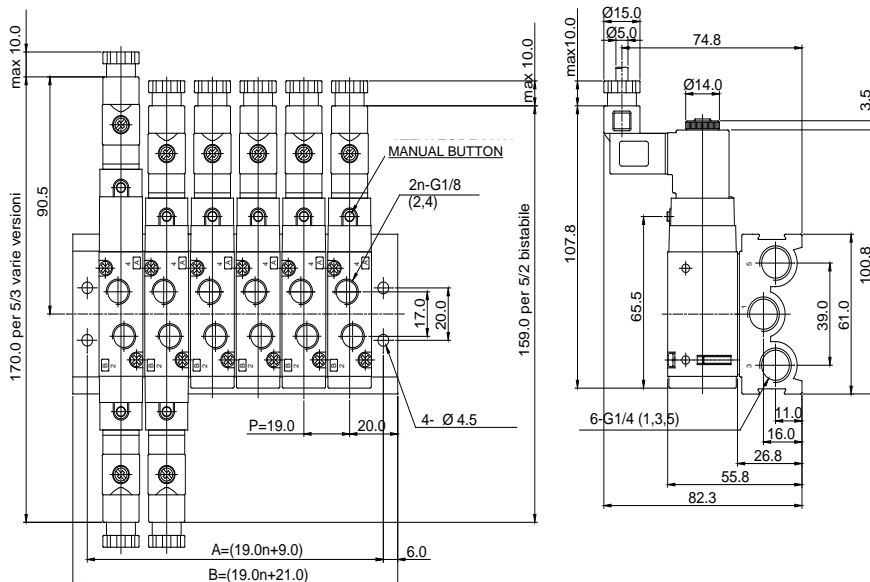
SF2101-IP- 5/2 single

SF2200-IP- 5/2 double

SF2303-2403-2503-IP- 5/3 different types



MF 2500 M Bases manifold for solenoid valves series SF 2000 (port size G 1/8")



ORDERING NUMBER MANIFOLD

MF2500 - M..

for solenoid valve serie SF2000 (port size G 1/8")

M02 = 2 station
 M03 = 3 station
 M04 = 4 station
 M05 = 5 station
 M06 = 6 station
 M08 = 8 station
 M10 = 10 station
 ATTENTION: 3 and 5 station til to ended stocks



DIMENSIONS "A" AND "B"

n	2	3	4	5	6	8	10
A	47	66	85	104	123	161	199
B	59	78	97	116	135	173	211

ATTENTION:

EVENTUAL CLOSING PLATE WITH SEALS AND MOUNTING SCREW FOR PLACE VALVE NOT USED
 COD. MF2500-BLK (OLD CODE: MFP1000)

SOLENOID / PNEUMATIC VALVES YPC 5-PORT



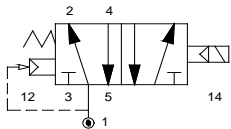
SERIES SF 4000 (port size 1/4") - technical features



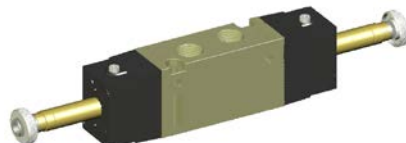
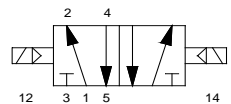
	MODEL				
	(SF2120) SF4101-IP	(SF2220) SF4200-IP	(SF2320) SF4303-IP	(SF2420) SF4403-IP	(SF2520) SF4503-IP
Fluids	compressed air 50 micron, with or without lubrication				
Working pressure	1,5 ÷ 8 bar	1 ÷ 8 bar	2 ÷ 8 bar	2 ÷ 8 bar	2 ÷ 8 bar
Eff. Sectional Area (mm ²)-5 bar	19	19	11.5	11.5	11.5
Ambient and fluid temperature	from + 5 °C to + 60 °C				
Response time (5bar)	25 ms or less		35 ms or less		
Max working frequency	5 Hz.		3 Hz.		
Manual override	push button (single)				
Standard tension	24V DC	24V AC	110V AC	220V AC	
Permissible voltage variation	± 10 %				
Coil insulation class	F class				
Off min. residual voltage	holding AC (4,5 VA)		holding DC (2,5 W)		
Protection degree	IP 65		with connector DIN		

ATTENTION: PLEASE USE ELECTRIC COILS TYPE BOB 22 (SPECIFY TENSION DEGREE)

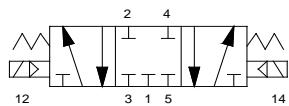
SF4101-IP- 5/2 single
(OLD CODE: SF 2120)



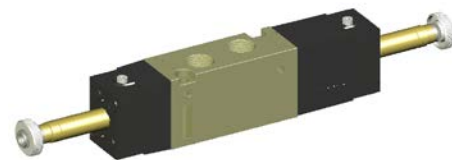
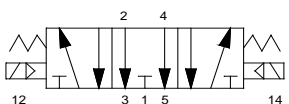
SF4200-IP- 5/2 double
(OLD CODE: SF 2220)



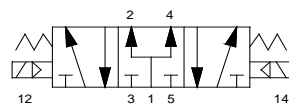
SF4303-IP- 5/3 closed center
(OLD CODE: SF 2320)



SF4403-IP- 5/3 open center
(OLD CODE: SF 2420)

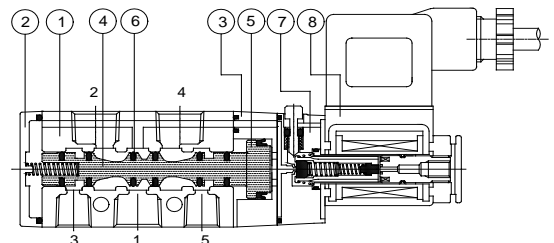


SF4503-IP- 5/3 pressure center
(OLD CODE: SF 2520)



MATERIAL

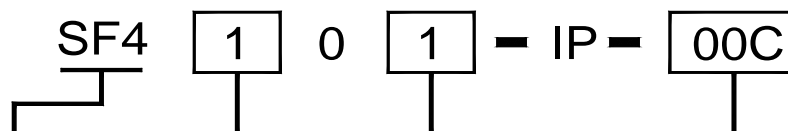
	Valve body	Aluminium
1	Valve body	Aluminium
2	Cap	Die-cast zamak
3	Sempilot	Die-cast zamak
4	Spool	Aluminium
5	Piston	Acetyl Resin (POM)
6	Seals	Nitrile rubber (NBR)
7	Pilot	Thermoplastic
8	Solenoid coil	Thermoplastic



EXAMPLE FOR ORDERING

SF4101-IP-02400C
solenoid SERIES SF4000
5/2 single with 1/4"
return method air+spring
with coil 24 Volt DC
with predisposition of connector DIN
(to order separately URS102/9...)

ORDERING NUMBER



Valves series
(port size G
1/4")

1 = 5/2 single
2 = 5/2 double
3 = 5/3 closed center
4 = 5/3 open center
5 = 5/3 pressure center

1 = air + spring
0 = double
3 = spring

for coil with connector
DIN (type BOB22
armature tube 9mm)

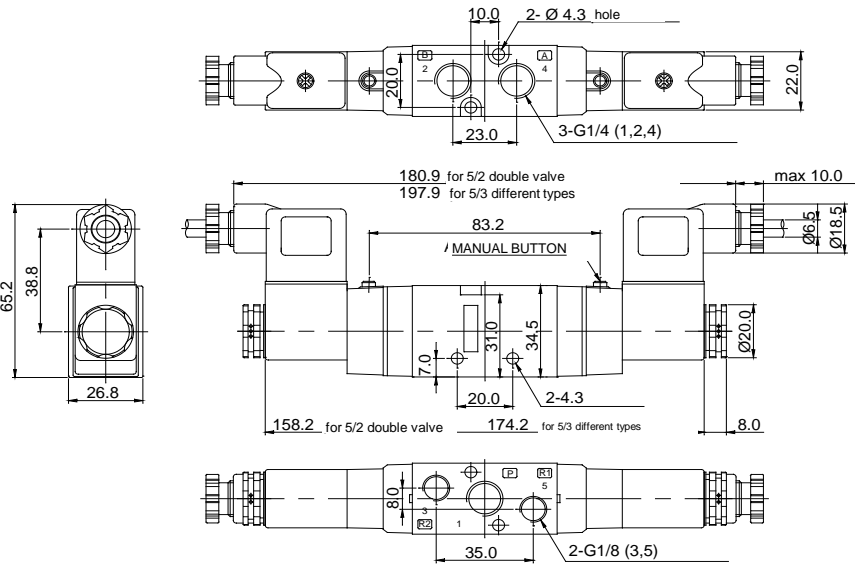
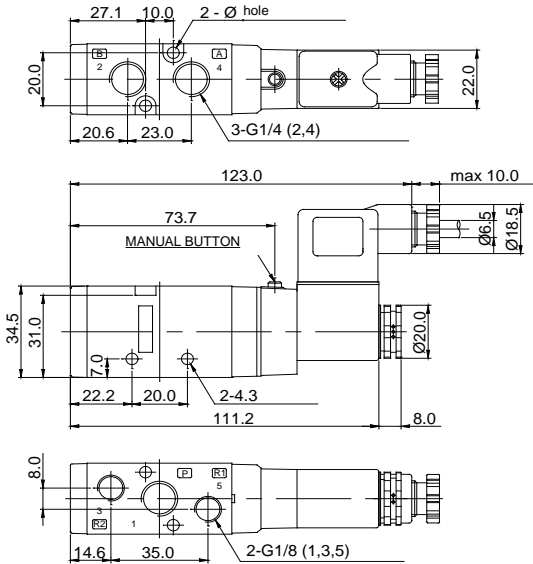
SOLENOID / PNEUMATIC VALVES YPC 5-PORT

SERIES SF 4000 (port size 1/4") - dimensions -

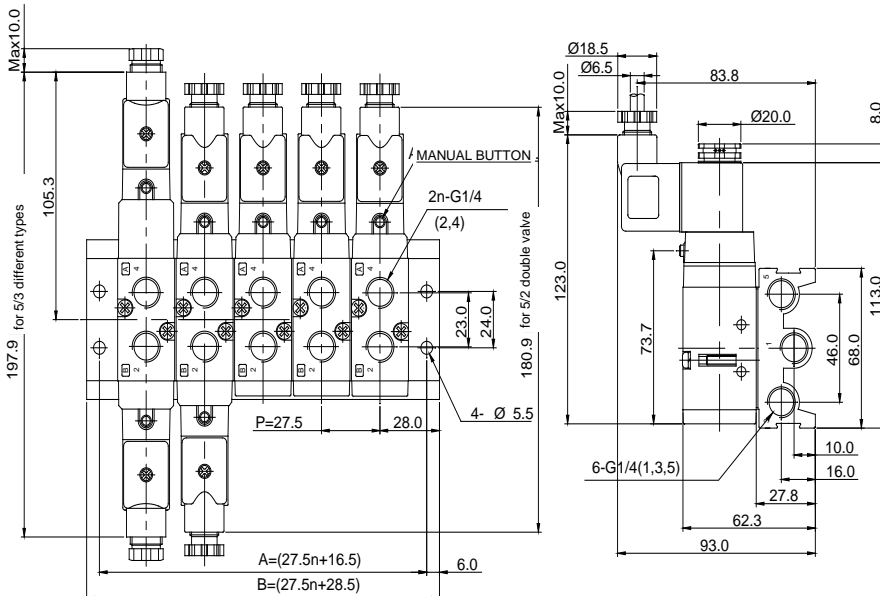
SF4101-IP- 5/2 single

SF4200-IP- 5/2 double

SF4303-4403-4503-IP- 5/3 different types



MF 4500 M Bases manifold for solenoid valves series SF 4000 (port size G 1/4")



ORDERING NUMBER MANIFOLD

MF4500 - M..

for solenoid valve series SF4000 (port size G 1/4")

- M02 = 2 station
 - M03 = 3 station
 - M04 = 4 station
 - M05 = 5 station
 - M06 = 6 station
 - M08 = 8 station
 - M10 = 10 station
- ATTENTION: 3 and 5 station til to ended stocks



DIMENSIONS "A" AND "B"

n = number positions

n	2	3	4	5	6	8	10
A	71.5	99	126.6	154	181.5	236.5	291.5
B	83.5	111	138.5	166	193.5	248.5	303.5

ATTENTION:
EVENTUAL CLOSING PLATE WITH SEALS AND MOUNTING SCREW FOR PLACE VALVE NOT USED
COD. MF4500-BLK (OLD CODE: MFP2000)

SOLENOID / PNEUMATIC VALVES YPC 5-PORT



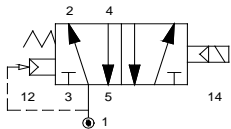
SERIES SF 5000 (port size 3/8") - technical features



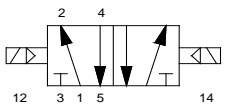
	(SF5130) SF5101-IP	(SF5230) SF5200-IP	(SF5330) SF5303-IP	(SF5430) SF5403-IP	(SF5530) SF5503-IP
Fluids	compressed air 50 micron, with or without lubrication				
Working pressure	1,5 ÷ 8 bar	1 ÷ 8 bar	2 ÷ 8 bar	2 ÷ 8 bar	2 ÷ 8 bar
Eff. Sectional Area (mm²)-5 bar	45	45	30.0	30.0	30.0
Ambient and fluid temperature	from + 5 °C to + 60 °C				
Response time (5bar)	30 ms or less		40 ms or less		
Max working frequency	5 Hz.		3 Hz.		
Manual override	push button (single)				
Standard tension	24V DC	24V AC	110V AC	220V AC	
Permissible voltage variation	± 10 %				
Coil insulation class	F class				
Off min. residual voltage	holding AC (4,5 VA)		holding DC (2,5 W)		
Protection degree	IP 65		with connector DIN		

ATTENTION: PLEASE USE ELECTRIC COILS TYPE BOB 22 (SPECIFY TENSION DEGREE)

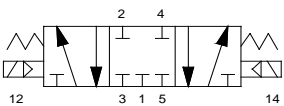
SF5101-IP- 5/2 single
(OLD CODE: SF 5120)



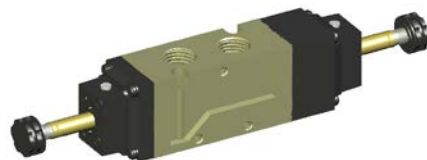
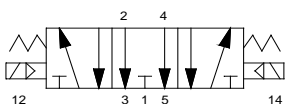
SF5200-IP- 5/2 double
(OLD CODE: SF 5230)



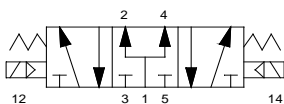
SF5303-IP- 5/3 closed center
(OLD CODE: SF 5330)



SF5403-IP- 5/3 open center
(OLD CODE: SF 5430)

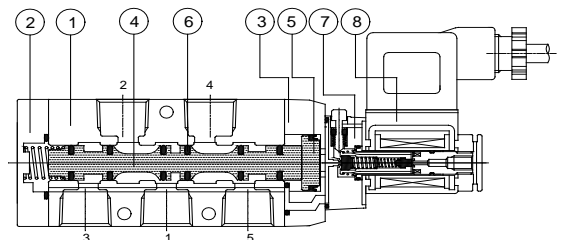


SF5503-IP- 5/3 pressure center
(OLD CODE: SF 5530)



MATERIAL

	Valve body	Aluminium
1	Cap	Die-cast zamak
2	Semipilot	Die-cast zamak
3	Spool	Aluminium
4	Piston	Acetyl Resin (POM)
5	Seals	Nitrile rubber (NBR)
6	Pilot	Thermoplastic
7	Solenoid coil	Thermoplastic
8		



EXAMPLE FOR ORDERING

SF5101-IP-02400C
solenoid SERIES SF5000
5/2 single with 3/8"
return method air+spring
with coil 24 Volt DC
with predisposition of connector DIN
(to order separately URS102/9...)

ORDERING NUMBER

SF5
1
0
1
- IP -
00C

Valves series
(port size G
3/8")

1 = 5/2 single
2 = 5/2 double
3 = 5/3 closed center
4 = 5/3 open center
5 = 5/3 pressure center

1 = air + spring
0 = double
3 = spring

for coil with connector
DIN (type BOB22
armature tube 9mm)

SOLENOID / PNEUMATIC VALVES YPC 5-PORT

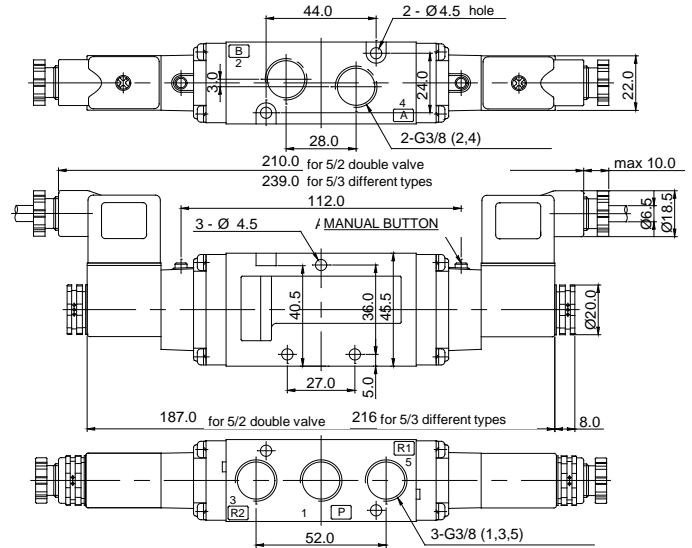
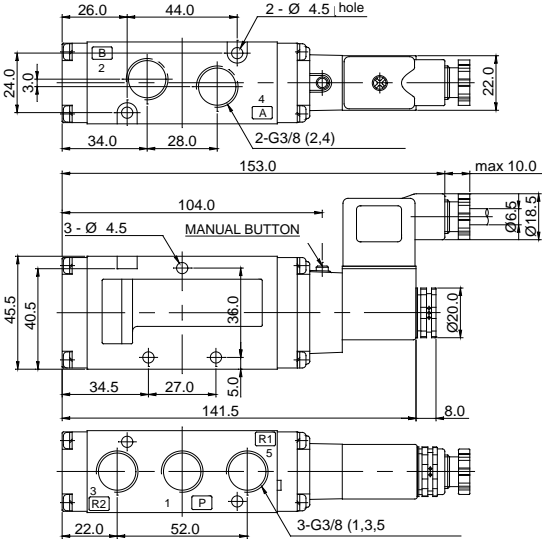


SERIES SF 5000 (port size 3/8") - dimensions -

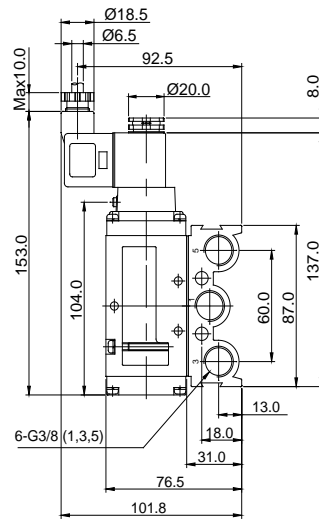
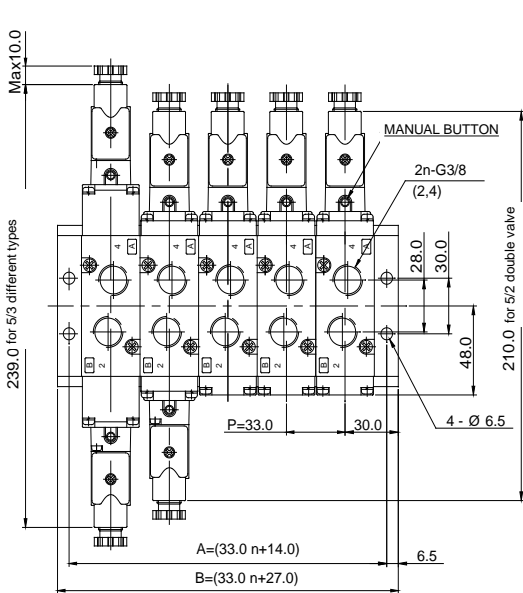
SF5101-IP- 5/2 single

SF5200-IP- 5/2 double

SF5303-5403-5503-IP- 5/3 different types



MF 5500 M Bases manifold for solenoid valves series SF 5000 (port size G 3/8")

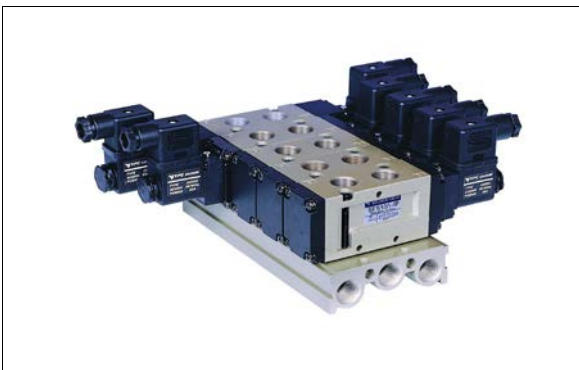


(ORDERING NUMBER MANIFOLD)

MF5500 - M..

for solenoid valve series SF5000 (port size G 3/8")

- M02 = 2 station
- M03 = 3 station
- M04 = 4 station
- M05 = 5 station
- M06 = 6 station
- M08 = 8 station
- M10 = 10 station
- ATTENTION: 3 and 5 station till ended stocks



DIMENSIONS "A" AND "B"

n = number positions

n	2	3	4	5	6	8	10
A	80	113	146	179	212	276	344
B	93	126	159	192	225	291	357

ATTENTION:
EVENTUAL CLOSING PLATE WITH SEALS AND MOUNTING SCREW FOR PLACE VALVE NOT USED
COD. MF5500-BLK (OLD CODE: MFP5000)

SOLENOID / PNEUMATIC VALVES YPC 5-PORT



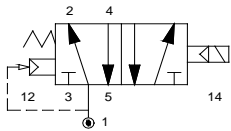
SERIES SF 6000 (port size 1/2") - technical features



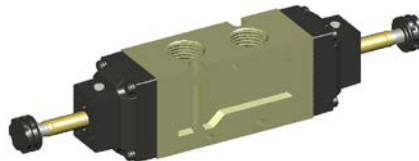
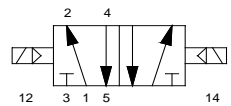
	MODEL				
	(SF6140) SF6101-IP	(SF6240) SF6200-IP	(SF6340) SF6303-IP	(SF6440) SF6403-IP	(SF6540) SF6503-IP
Fluids	compressed air 50 micron, with or without lubrication				
Working pressure	1,5 ÷ 8 bar	1 ÷ 8 bar	2 ÷ 8 bar	2 ÷ 8 bar	2 ÷ 8 bar
Eff. Sectional Area (mm ²)-5 bar	70	70	55.0	55.0	55.0
Ambient and fluid temperature	from + 5 °C to + 60 °C				
Response time (5bar)	30 ms or less		40 ms or less		
Max working frequency	3 Hz.		1 Hz.		
Manual override	push botton (single)				
Standard tension	24V DC	24V AC	110V AC	220V AC	
Permissible voltage variation	± 10 %				
Coil insulation class	F class				
Off min. residual voltage	holding AC (3,5 VA)		holding DC (2,5 W)		
Protection degree	IP 65		with connector DIN		

ATTENTION:PLEASE USE ELECTRIC COILS TYPE BOB 22 (SPECIFY TENSION DEGREE)

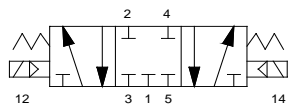
SF6101-IP- 5/2 single
(OLD CODE: SF 6140)



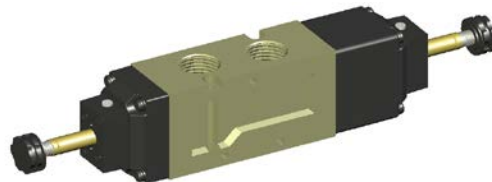
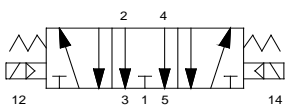
SF6200-IP- 5/2 double
(OLD CODE: SF 6240)



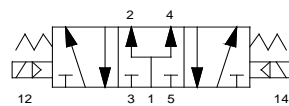
SF6303-IP- 5/3 closed center
(OLD CODE: SF 6340)



SF6403-IP- 5/3 open center
(OLD CODE: SF 6440)

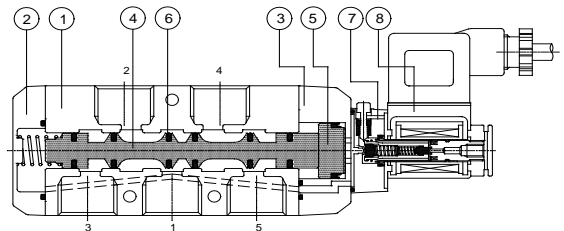


SF6503-IP- 5/3 pressure center
(OLD CODE: SF 6540)



MATERIAL

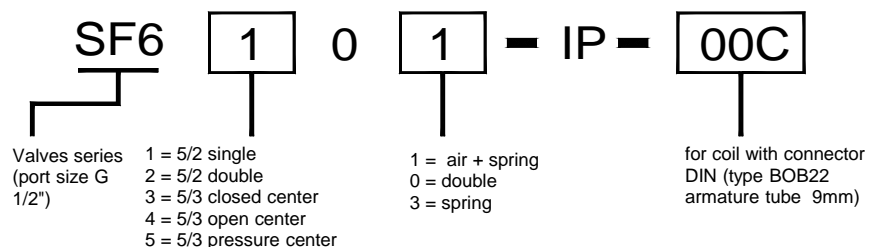
Number	Component	Material
1	Valve body	Aluminium
2	Cap	Die-cast zamak
3	Semipilot	Die-cast zamak
4	Spool	Aluminium
5	Piston	Acetyl Resin (POM)
6	Seals	Nitrile rubber (NBR)
7	Pilot	Thermoplastic
8	Solenoid coil	Thermoplastic



EXAMPLE FOR ORDERING

SF6101-IP-02400C
solenoid SERIES SF6000
5/2 single with 1/2"
return method air+spring
with coil 24 Volt DC
with predisposition of connector DIN
(to order separately URS102/9...)

ORDERING NUMBER



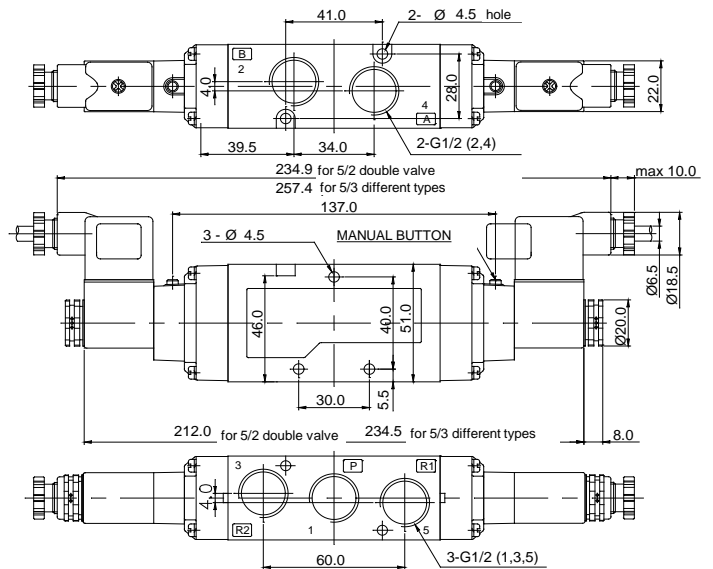
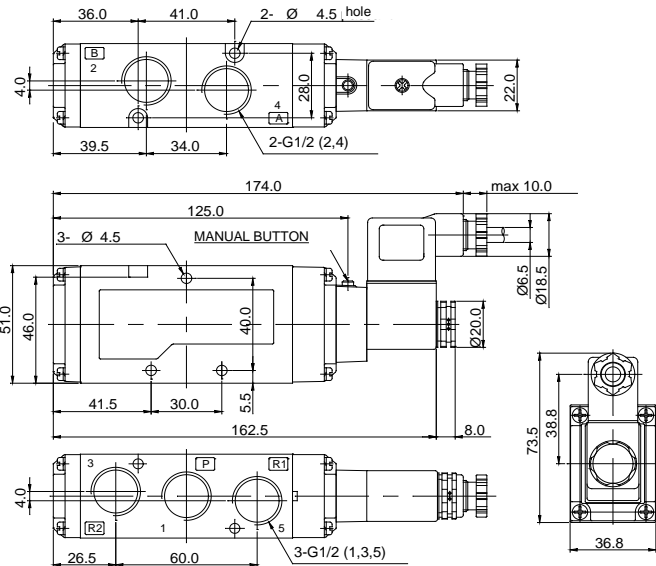
SOLENOID / PNEUMATIC VALVES YPC 5-PORT

SERIES SF 6000 (port size 1/2") - dimensions -

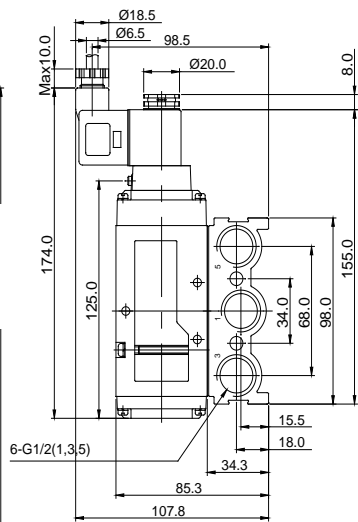
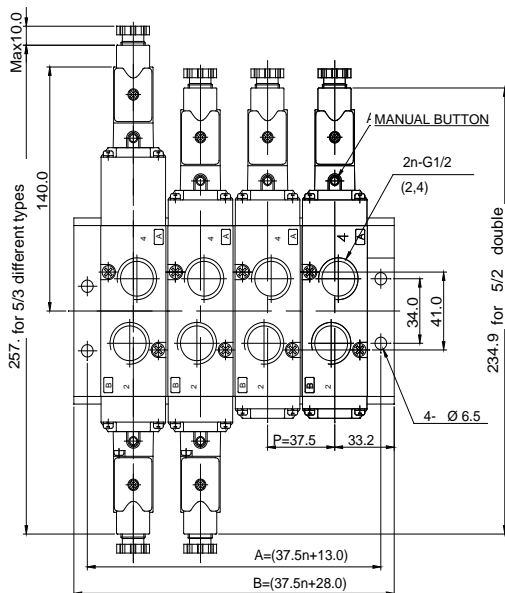
SF6101-IP- 5/2 single

SF6200-IP- 5/2 double

SF6303-6403-6503-IP- 5/3 different types



MF 6500 M Bases manifold for solenoid series SF 6000 (port size G 1/2")

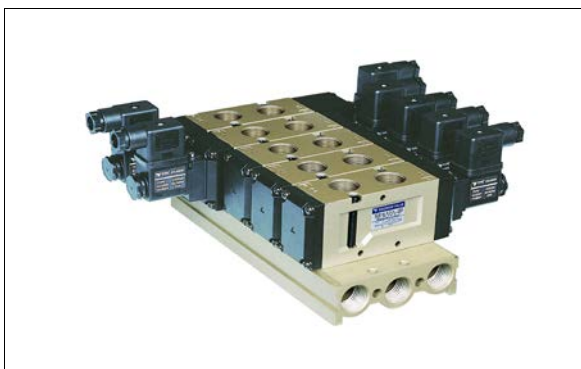


ORDERING NUMBER MANIFOLD

MF6500 - M..

for solenoid valve series SF6000 (port size G 1/2")

- M02 = 2 station
- M04 = 4 station
- M06 = 6 station
- M08 = 8 station
- M10 = 10 station



DIMENSIONS "A" AND "B"

n = number positions

n	2	4	6	8	10
A	88	163	238	313	388
B	103	178	253	328	403

ATTENTION:
EVENTUAL CLOSING PLATE WITH SEALS AND MOUNTING SCREW FOR PLACE VALVE NOT USED
COD. MF6500-BLK (OLD CODE: MFP6000)