



RECORD THIS INFORMATION FOR FUTURE REFERENCE:

FRTA Model Number \_\_\_\_\_  
FRTA Serial Number \_\_\_\_\_  
Hardware Model Number \_\_\_\_\_  
Hardware Serial Number \_\_\_\_\_  
Date Purchased \_\_\_\_\_  
Retailer / Qualified Installer \_\_\_\_\_

**USA**  
SERVICE OFFICE  
Dometic Corporation  
1120 North Main Street  
Elkhart, IN 46514

**CANADA**  
Dometic Corporation  
46 Zatonski, Unit 3  
Brantford, ON N3T 5L8  
CANADA

**SERVICE CENTER &  
DEALER LOCATIONS**  
Please Visit:  
[www.eDometic.com](http://www.eDometic.com)

# SLIDE TOPPER™

## INSTALLATION & OPERATING INSTRUCTIONS

MODELS	
85090 DELUXE	86096 ELITE
85093 DELUXE	86097 DELUXE
85094 DELUXE	86098 ELITE
85096 ELITE	86099 DELUXE
85097 DELUXE	86100 ELITE
85098 ELITE	86101 DELUXE
85099 DELUXE	86102 ELITE
85100 ELITE	86103 DELUXE
85101 DELUXE	86111 DELUXE
85102 ELITE	87096 ELITE
85103 DELUXE	87097 DELUXE

**REVISION A**  
Form No. 3109384.168 12/16  
(French 3109626.154)  
©2016 Dometic Corporation  
LaGrange, IN 46761

 **Read these instructions carefully. These instructions MUST stay with this product.**

# INTRODUCTION


This Slide Topper™ awning (hereinafter referred to as “Slide Topper,” “awning,” or “product”) is intended for use on Recreational Vehicles (RVs). It is designed to protect the top of an RV’s slide out room from weather and debris. It is not waterproof; some drips, condensation, or windblown precipitation may enter under the canopy. Use these instructions to ensure correct installation, function, and operation of product.

Dometic Corporation reserves the right to modify appearances and specifications without notice.

# TABLE OF CONTENTS

INTRODUCTION .....	2
DOCUMENT SYMBOLS .....	2
IMPORTANT SAFETY INSTRUCTIONS .....	3
A. Recognize Safety Information .....	3
B. Understand Signal Words .....	3
C. Supplemental Directives .....	3
D. General Safety Messages .....	3
GENERAL INFORMATION .....	4
A. Included Hardware .....	4
B. Optional Components & Kits .....	4
SPECIFICATIONS .....	4
A. Slide Out Room And Slide Topper .....	4
B. Mounting Bracket Selection .....	5
C. Mounting Bracket Spacer (Optional) .....	6
INSTALLATION .....	7
A. Prepare Hardware .....	7
B. Install Awning Rail And Insert Fabric .....	7
C. Install Mounting Brackets .....	8
D. Install Anti-Billow Stop .....	10
E. Slide Out Room Flange Edge Protectors .....	11
F. Secure Awning Fabric To Awning Rail .....	11
OPERATION .....	12
GENERAL CARE AND USE .....	13
A. Precautions .....	13
B. Hardware Maintenance .....	13
C. Fabric Maintenance .....	13
D. When To Get More Help .....	13

# DOCUMENT SYMBOLS

 Indicates additional information that is **NOT** related to physical injury.

 Indicates step-by-step instructions.

# IMPORTANT SAFETY INSTRUCTIONS

This manual has safety information and instructions to help users eliminate or reduce the risk of accidents and injuries.

## A. Recognize Safety Information



This is the safety alert symbol. It is used to alert you to potential physical injury hazards. Obey all safety messages that follow this symbol to avoid possible injury or death.

## B. Understand Signal Words

A signal word will identify safety messages and property damage messages, and will indicate the degree or level of hazard seriousness.

**WARNING** indicates a hazardous situation that, if **NOT** avoided, could result in death or serious injury.

**CAUTION** indicates a hazardous situation that, if **NOT** avoided, could result in minor or moderate injury.

**NOTICE** is used to address practices **NOT** related to physical injury.

## C. Supplemental Directives



Read and follow all safety information and instructions to avoid possible injury or death.

Read and understand these instructions before [installing / using / servicing / performing maintenance] on this product.

Incorrect [installation / operation / servicing / maintaining] of this product can lead to serious injury. Follow all instructions.

The installation **MUST** comply with all applicable local or national codes, including the latest edition of the following standards:

### U.S.A.

- ANSI/NFPA 1192, Recreational Vehicles Code

### CANADA

- CSA Z240 RV Series, Recreational Vehicles

## D. General Safety Messages

**WARNING** Failure to obey the following warnings could result in death or serious injury:

- This product **MUST** be [installed / serviced] by a qualified service technician.
- Do **NOT** modify this product in any way. Modification can be extremely hazardous.
- Frequently examine product for imbalance (uneven fit / sagging / loose parts); and signs of wear or damage to wiring (if applicable) and other critical parts. Do **NOT** use product if adjustments or repairs are necessary.



Critical parts may include awning fabric, brackets, arm assemblies, etc.

- Do **NOT** allow anyone (including children) with reduced physical, sensory or mental capabilities, or lack of experience and knowledge to use this product, unless they have been given supervision or instruction (concerning use of this product) by a person responsible for their safety.
- Do **NOT** allow children to play with product or with fixed controls (if applicable). Keep remote controls (if applicable) away from children.
- **IMPACT OR CRUSH HAZARD. NEVER** leave an open awning unattended. Keep awning stowed (closed) when snow, heavy rain, wind, and severe weather conditions are expected.
- **FIRE HAZARD.** Keep sources of heat and fire (barbecue grills, portable heater, etc.) away from awning.

**CAUTION** **PINCH HAZARD.** Maintain a horizontal distance of at least 16" between fully open awning and any permanent object. Failure to obey this caution could result in injury.



Do **NOT** face [slide out room / Slide Topper] toward permanent objects that may interfere with awning operation.

# GENERAL INFORMATION

## A. Included Hardware

- \*(1) 730099-# Awning Rail
- \*(\*\*) 3107216.008 #6-20 X 1/2" Screw
- \*(2) 3309962.003# Bracket Spacer
- (4) 308171.021 3/16" X 3/8" Rivet

\* Not included with all models

\*\* Quantity will vary based on awning length.

- One of the following Slide Topper bracket options is required (not included):

- (1) 3106992.X21# Standard Wall Bracket; with Anti-Billow
- (1) 3106992.X39# Offset Wall Bracket; with Anti-Billow
- (1) 3106992.X47# Offset 90° Wall Bracket; with Anti-Billow
- (1) 3106992.X70# Offset 90° Wall Bracket; with Anti-Billow
- (1) 3106992.X88# Offset 90° Wall Bracket; with Anti-Billow and Steel Extensions
- (1) 3106992.X96# Offset 45° Wall Bracket; with Anti-Billow and Steel Extensions

## B. Optional Components & Kits

- (1) 3107940.003 Mounting Bracket Spacer Kit
- (1) 113008P10 Oscar Rivet (10 Pack)
- (1) 113008P100 Oscar Rivet (100 Pack)
- (1) 3308176.001 Edge Protector (10 Pack)
- (1) 3308176.019 Edge Protector (100 Pack)
- (1) [Part No. varies] Anti-Billow Stop Kit
- (1) [Part No. varies] Anti-Billow Bracket Kit
- (1) 3309526.XXX# Cradle Kit



Slide Toppers 198" or wider **REQUIRE** the following options / kits:

- A bracket option that includes **STEEL** extensions.
- A second anti-billow stop kit (one at each end cap).
- A second anti-billow bracket kit (one at each end cap).
- A cradle kit for center support (of FRTA).

Slide Toppers 360" or wider may use a second (optional) cradle kit.

# SPECIFICATIONS

## A. Slide Out Room And Slide Topper

1. Full extension of slide out room **MUST NOT** exceed 44". See (FIG. 1).



See section, "Slide Topper Sizing" in Application Guide to determine appropriate slide topper width for the slide out room application.

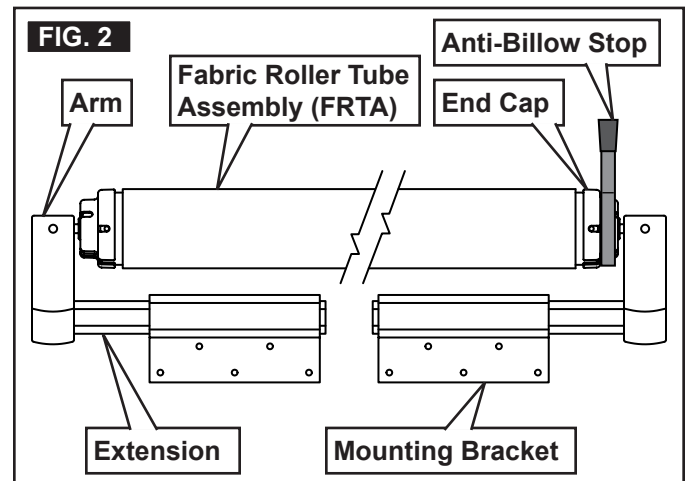
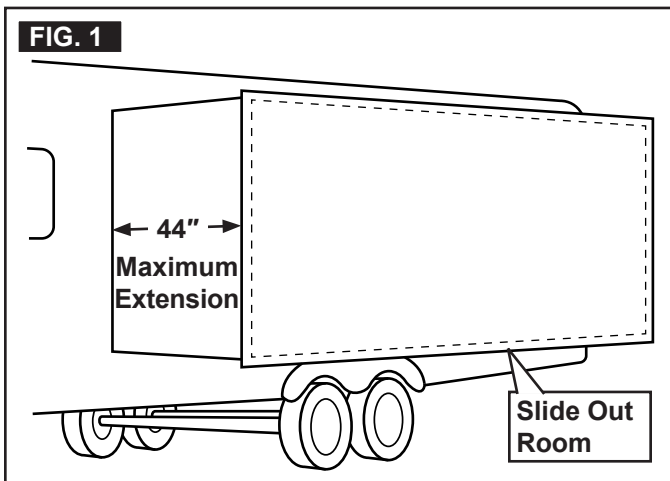
2. Slide Toppers 198" or wider require a bracket option that includes **STEEL** extensions; a second anti-billow stop kit and anti-billow bracket kit (one at each end cap); a cradle kit for center support (of FRTA). See (FIG. 2).



See subsection, "B. Optional Components & Kits" on page (4) to order cradle kit.

Slide Toppers 360" or wider may use a second (optional) cradle kit.

The Elite Slide Topper is **NOT** available in sizes 198" or wider.



# SPECIFICATIONS

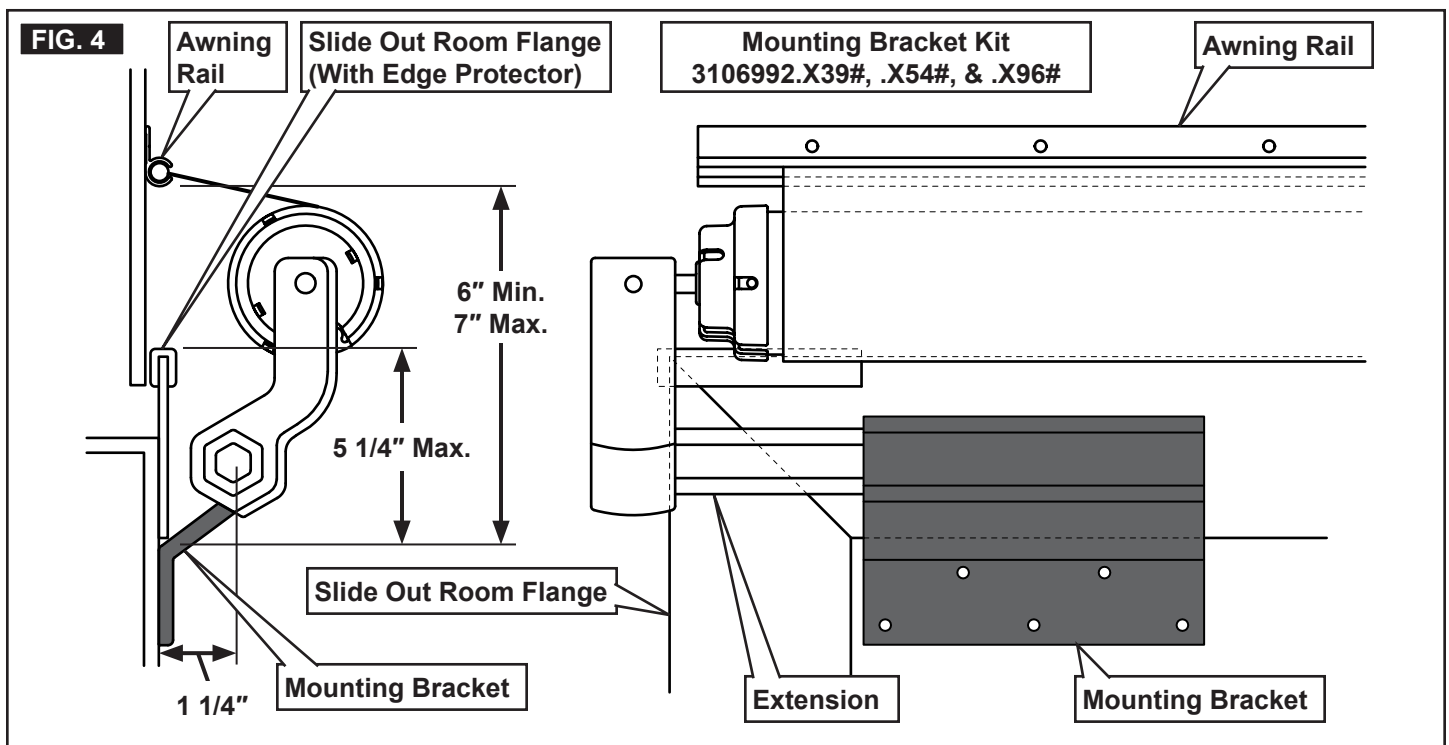
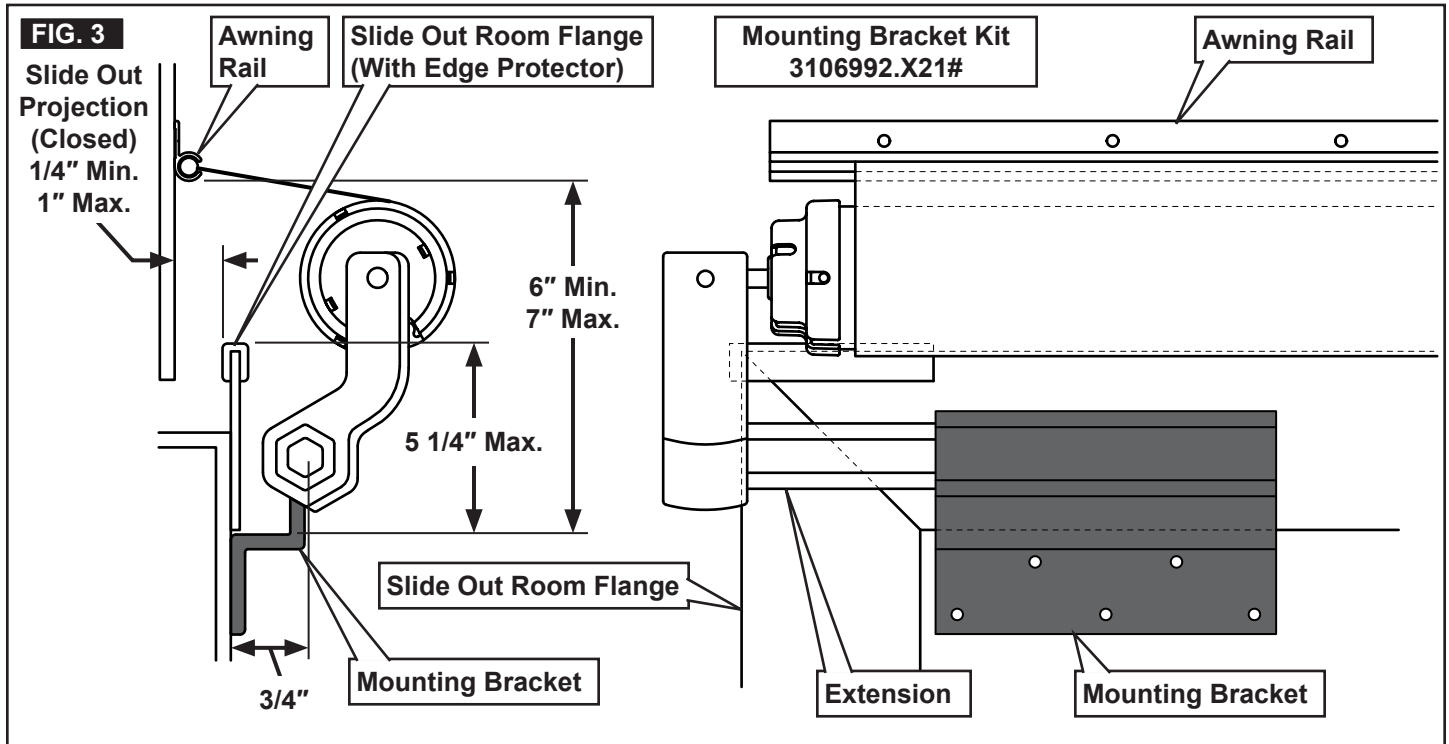
## B. Mounting Bracket Selection

1. Determine mounting bracket type. See (FIG. 3), (FIG. 4), & (FIG. 5).

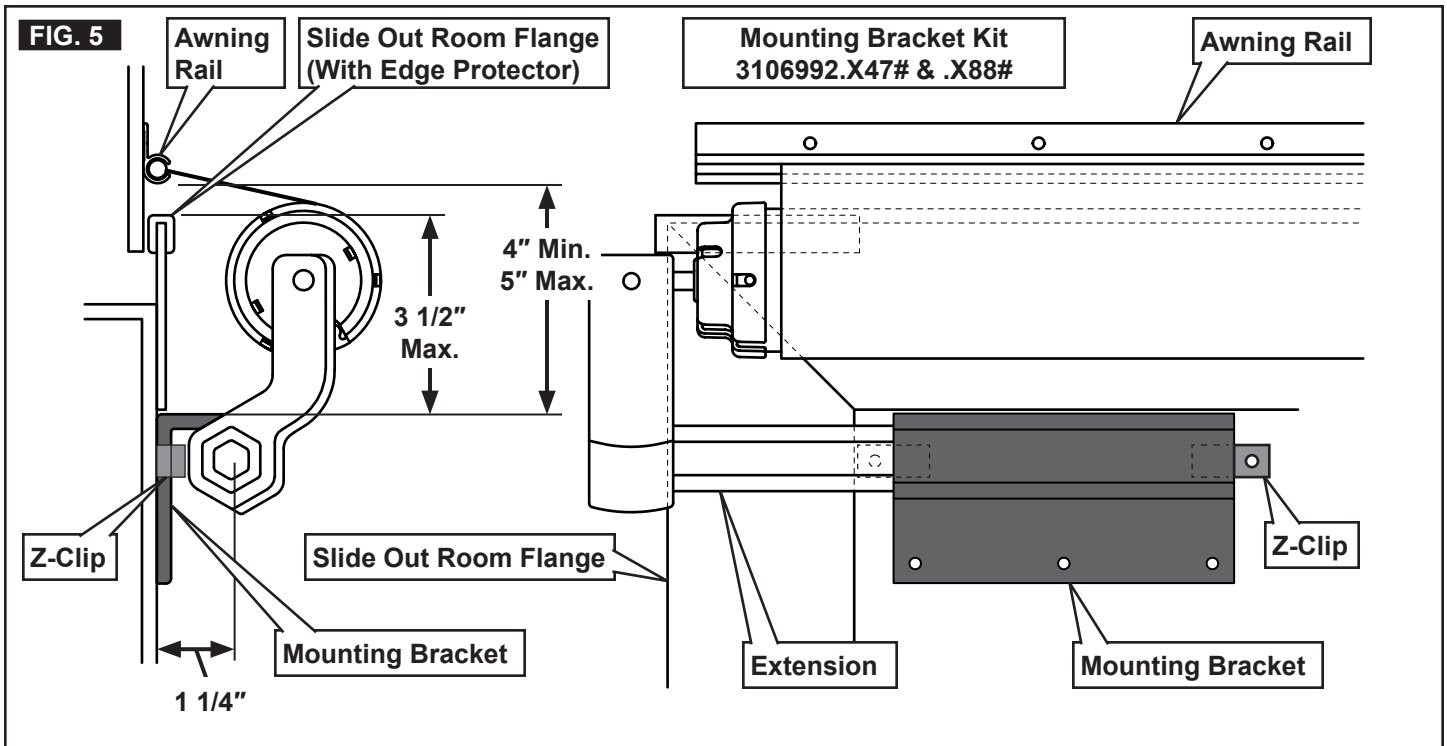


Mounting brackets may be installed on slide out room flange **ONLY** if it provides solid structural support.

The 3106992.X21# mounting bracket kit will accommodate slide out rooms that project 1/4" to 1" beyond RV wall (when closed). This kit is **NOT** for use on slide out rooms that close flush to RV wall.



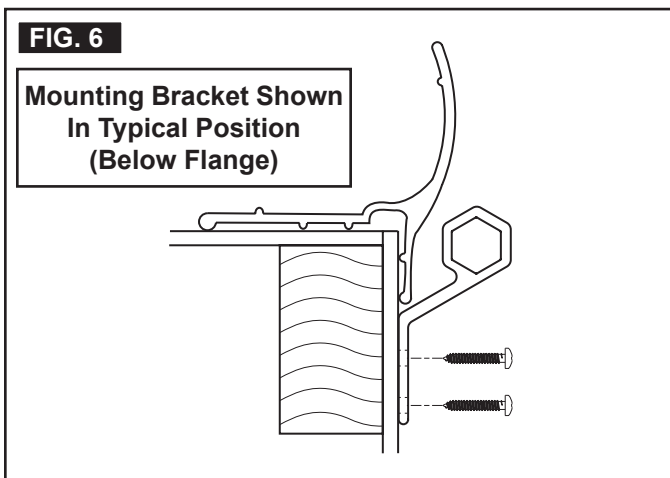
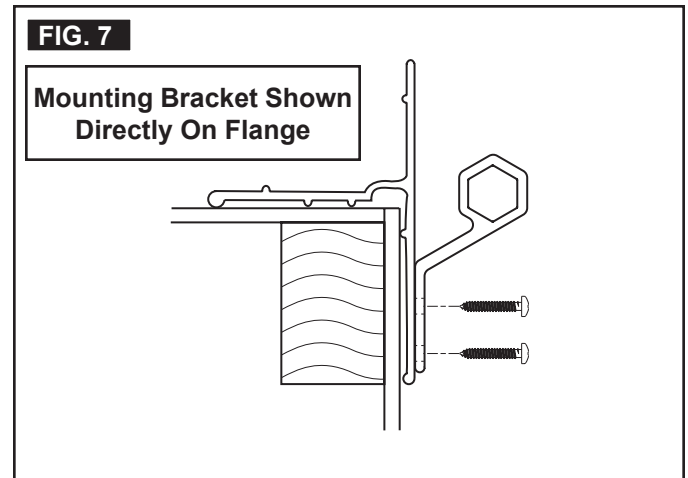
# SPECIFICATIONS



- Determine mounting bracket location relating to awning rail and slide out room flange. See (FIG. 3), (FIG. 4), (FIG. 5), (FIG. 6), & (FIG. 7).

**i** If slide out room has extra large flanges, it may be necessary to install mounting brackets directly on flange, but **ONLY** if it provides solid structural support.

To help accommodate water and debris runoff, awning fabric should have as steep a pitch (slope) as feasible without exceeding the maximum distance shown between awning rail and mounting bracket. Exceeding the maximum distance will expose awning fabric to catch wind (causing fabric to billow or tear).

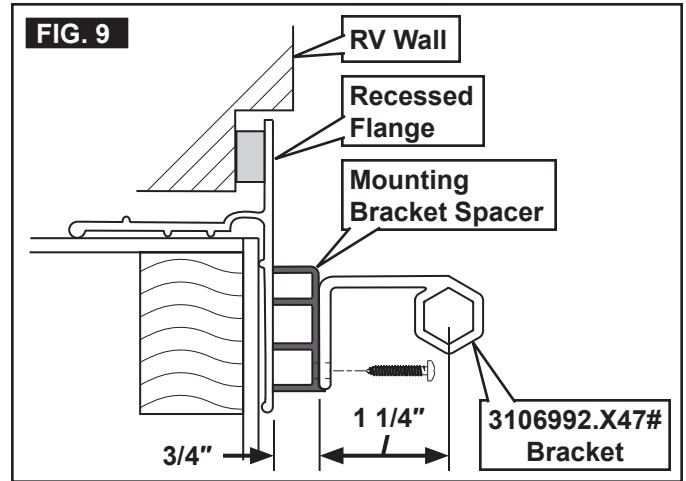
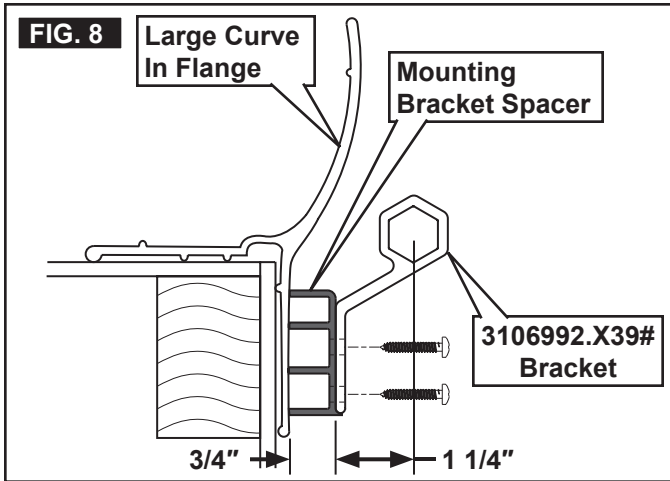


## C. Mounting Bracket Spacer (Optional)

If slide out room flange has special features (large curve, recessed into RV wall, etc.) that will interfere with normal operation of Slide Topper, a mounting bracket spacer (NOT INCLUDED) must be installed. See (FIG. 8) & (FIG. 9).

**i** See subsection, "B. Optional Components & Kits" on page (4) to order.

# SPECIFICATIONS

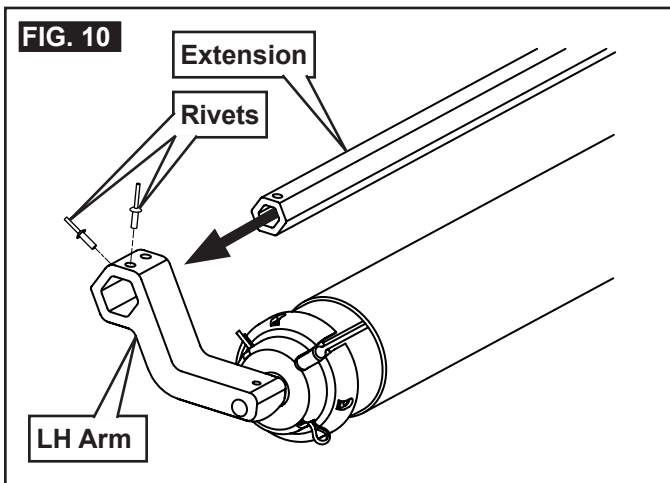


# INSTALLATION

## A. Prepare Hardware

The Slide Topper hardware requires minor preparation before installing on RV.

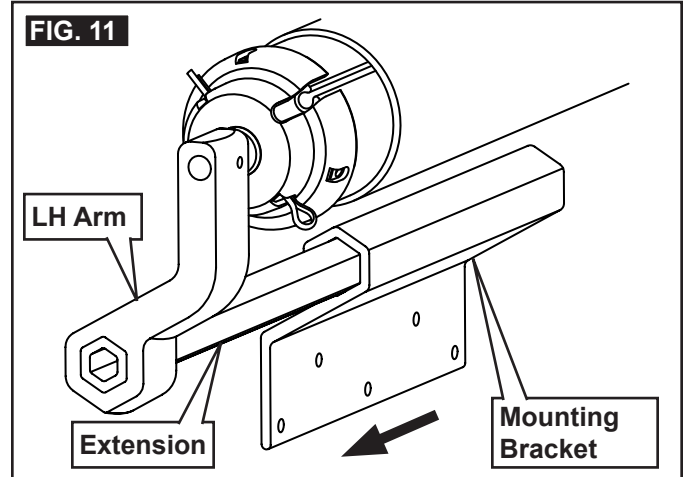
1. Carefully lay fabric roller tube assembly (FRTA) on a clean, well padded "V" trough (or other well protected surface) to prevent fabric damage.
2. Install extension. See (FIG. 10).
  - a. Insert extension into LH arm, and align rivet holes.
  - b. Place and affix blind rivets (provided) through LH arm and into extension.



3. Place mounting bracket onto extension. See (FIG. 11).
  - a. Align mounting bracket (mounting surface) to face slide out room wall, and to hang below arm.

- b. With mounting bracket aligned correctly, slide onto extension (attached to LH arm), and tape in place.

**i** Full engagement of mounting bracket onto extension is required. Do **NOT** allow mounting bracket to extend beyond end of extension.



4. Repeat steps (2) through (3) for other end.

## B. Install Awning Rail And Insert Fabric

1. Determine awning rail location relating to mounting bracket & slide out room flange. See (FIG. 3), (FIG. 4), & (FIG. 5).
2. Remove any flashing or drip shields that will interfere with the Slide Topper.

**i** The Slide Topper may be assembled and held in place to check for interference.

# INSTALLATION

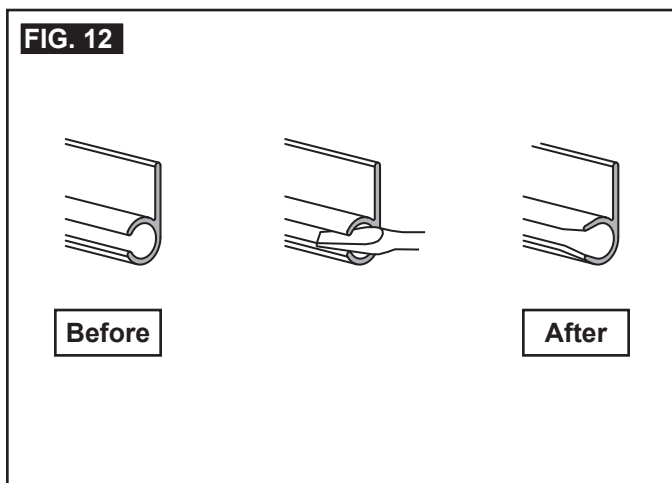
3. **NOTICE** Install awning rail on a flat surface (with solid structural backing), straight (without curves), and parallel to RV floor to ensure correct function and appearance.

**ALWAYS** use sealant on (clean) parts and surfaces where fasteners enter RV's roof and/or walls. Otherwise, water leakage could occur.

Apply sealant to back edge of awning rail, and to #6-20 X 1/2" (min.) screws (installer supplied). Then place and tighten screws through awning rail and into solid structure of RV.

4. **NOTICE** Verify awning rail is parallel to RV floor, and is **NOT** warped or curved before installing awning fabric. If awning rail is **NOT** straight, awning fabric may wrinkle or stretch.

Select the desired awning rail end (on RV) into which the awning fabric will be inserted. Widen that end of the rail with a flat screwdriver, and file off any sharp edges. See (FIG. 12).



5. **NOTICE** Do **NOT** unfurl more than 1 revolution of fabric, as this could cause issues with awning [closing / opening] correctly.

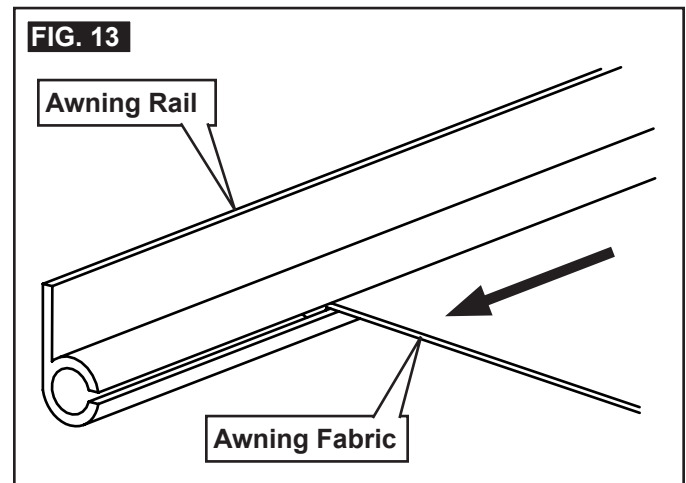
Unfurl awning fabric 1 revolution before inserting fabric (or awning roller cover, if equipped) into awning rail.

**i** Unfurling 1 revolution will allow enough space between side wall and awning hardware to guide awning fabric into awning rail.

6. With slide out room completely closed, carefully lift Slide Topper to prepared awning rail end (above top of slide out).

7. While one person guides the awning fabric (or awning roller cover, if equipped) into awning rail (a stepladder may be necessary), carefully move (slide) the Slide Topper until fabric is in desired position. See (FIG. 13).

**i** At least two other people are required to hold and control Slide Topper (in place) until mounting brackets are installed on RV, and FRTA (with arms and extensions) is installed on mounting brackets.



## C. Install Mounting Brackets

1. **WARNING** IMPACT OR CRUSH HAZARD. Verify mounting surface on RV is flat, has solid structural backing where fasteners penetrate surface, and will safely and securely support product. Otherwise, product may become unstable and could [detach / bend / collapse]. Failure to obey this warning could result in death or serious injury.

Find a solid structure in RV slide out wall for support of mounting brackets (all mounting points).

2. Mark spacing for mounting brackets (centered on slide out room).

**i** See section, "Mounting Brackets" in Application Guide for sample mounting bracket spacing.

3. Mark hole locations:
  - a. Using a mounting bracket as a template, place bracket on spacing mark (near inside corner of slide out room frame), and level with slide out room and other bracket.
  - b. Verify mounting bracket is positioned at correct height in relation to Slide Topper arms and extensions.
  - c. Mark bracket's position and hole locations.



# INSTALLATION

4. **⚠ WARNING** FIRE OR ELECTRICAL SHOCK HAZARD. Verify there are no obstacles inside RV's roof and/or walls (wires, pipes, etc.). Shut **OFF** gas supply, disconnect 120 Vac power from RV, and disconnect positive (+) 12 Vdc terminal from supply battery **BEFORE** drilling or cutting into RV. Failure to obey these warnings could result in death or serious injury.

Drill 3/16" diameter holes (7/32" diameter if drilling steel) approximately 1" deep into slide out room on marked hole locations.

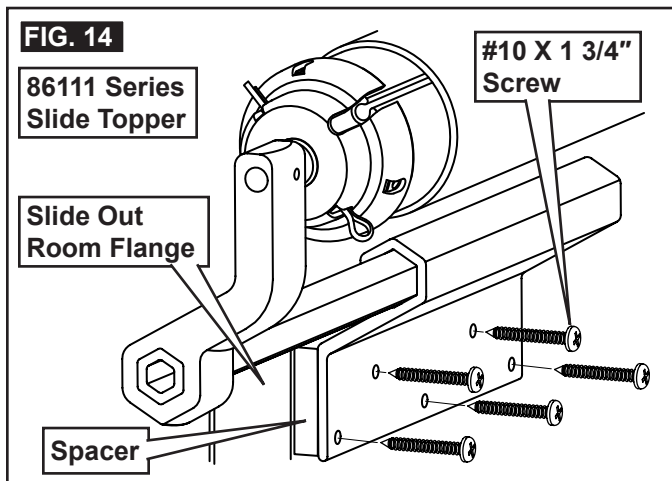
5. **NOTICE** ALWAYS use sealant on (clean) parts and surfaces where fasteners enter RV's roof and/or walls. Otherwise, water leakage could occur.

With mounting bracket placed on extension, fasten bracket to slide out wall:

- a. 86111 model series Slide Toppers:

**⚠ WARNING** IMPACT OR CRUSH HAZARD. Fasteners **MUST** comply with size and strength requirements for safe installation and operation of product. Failure to obey this warning could result in death or serious injury.

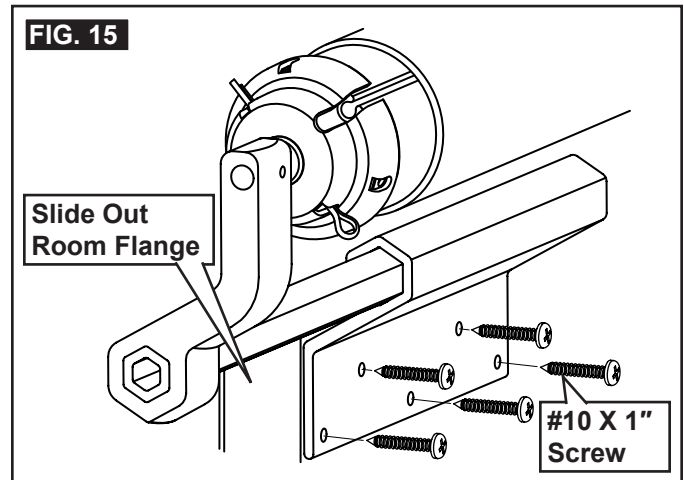
Apply sealant to #10 X 1 1/2" screws (installer supplied). Then place and tighten screws through mounting bracket and spacer (provided), and into solid structure of RV slide out room. See (FIG. 14).



- b. All other Slide Topper models:  
Apply sealant to #10 X 1" screws (provided). Then place and tighten screws through mounting bracket and into solid structure of RV slide out room. See (FIG. 15).

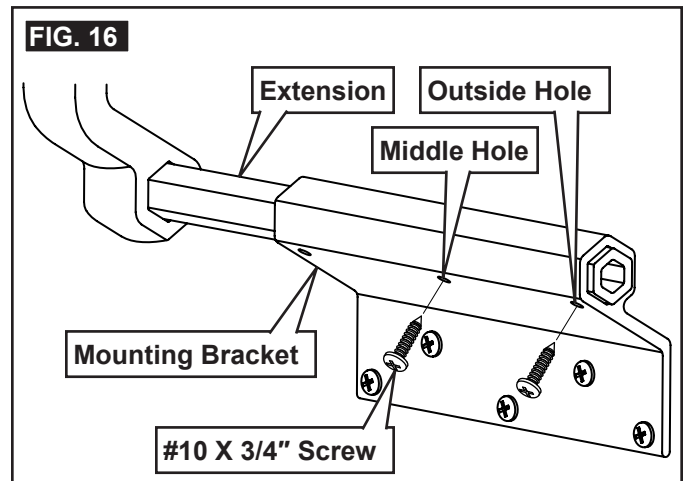
**i** If adding an optional spacer kit, use #10 X 1 3/4" screws (provided) with kit. See (FIG. 8) & (FIG. 9).

Use 3/16" X 1" oscar rivets (installer supplied) and Z-clips when installing mounting brackets on laminated walls. Z-clips are also required on 90° mounting brackets. See (FIG. 5).



6. Repeat steps (3) through (5) for other end.  
7. Remove tape from mounting brackets, then center Slide Topper on slide out room. See (FIG. 2).

**i** Full engagement of mounting bracket onto extension is required. Do **NOT** allow mounting bracket to extend beyond end of extension. See (FIG. 16).



8. Place and tighten #10 X 3/4" screws (provided) through middle and outside holes of mounting bracket and into extension. See (FIG. 16).

**i** Some brackets require pre-drilling the middle hole location, or **BOTH** the middle and outside hole locations.

Use a #26 drill bit (for 0.147" hole) when pre-drilling is required.

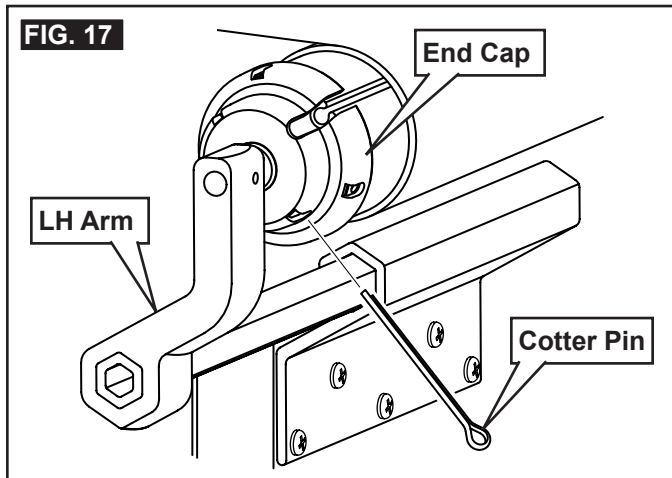
9. Repeat step (8) for other end.

# INSTALLATION

10. **⚠ WARNING** IMPACT OR PINCH HAZARD. Do **NOT** remove cotter pin from torsion rod (at end cap) until awning fabric is attached to awning rail, torsion rod is secured to assembled hardware (arm, extension rod, mounting bracket), and hardware is secured to slide out room. Otherwise, rapid casting spin off will occur. Spring tension will attempt to spin the hardware and/or fabric roller tube quickly and unexpectedly. Failure to obey this warning could result in death or serious injury.

Remove and discard cotter pin (with tape if applicable) from LH torsion rod (at LH end cap). See (FIG. 17).

- i** Removing cotter pin will release factory preset tension. To facilitate removal, rotate the fabric roller tube (as if unrolling awning) by pulling bottom of tube toward you while pulling on cotter pin.



11. Repeat step (10) for RH end.

## D. Install Anti-Billow Stop

- 1.** **NOTICE** Cotter pins **MUST** be removed from Slide Topper end caps **BEFORE** operating slide out room. Otherwise, damage to the Slide Topper and/or slide out room will occur.

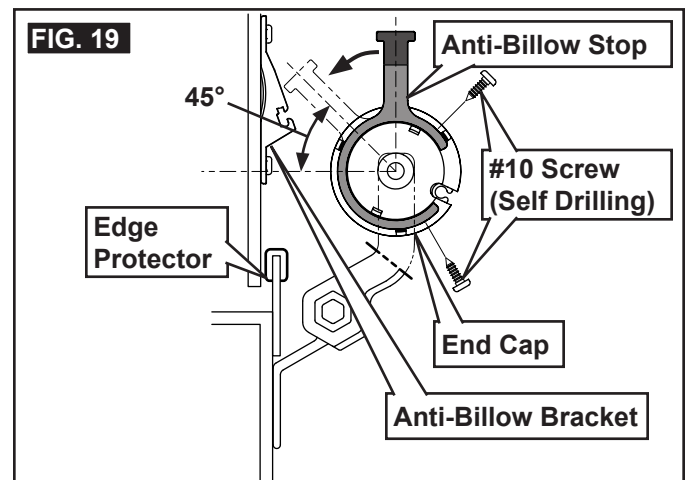
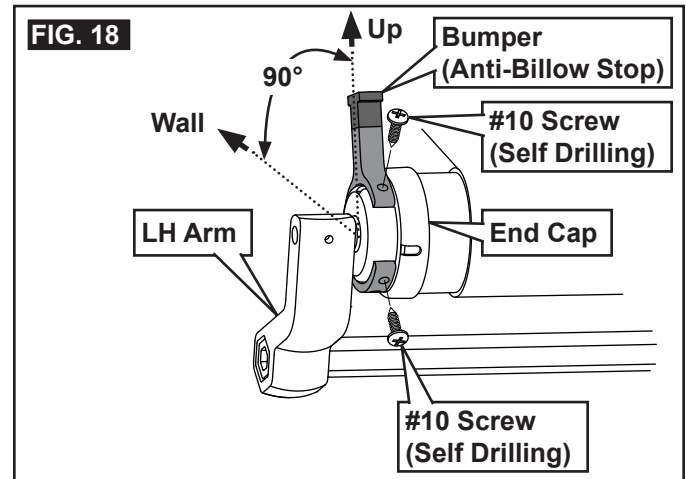
With slide out room (and awning) still closed, place anti-billow stop on end cap. See (FIG. 18) & (FIG. 19).

- a. Determine onto which end cap anti-billow stop will be installed.

- i** Slide Toppers 198" or wider **REQUIRE** an anti-billow stop (and bracket) at **BOTH** end caps, and a cradle kit for center support. See subsection, "B. Optional Components & Kits" on page (4) to order.

- b. Place anti-billow stop on desired end cap with opening facing **AWAY** from awning rail (when bumper is pointed straight up).
- c. Position anti-billow stop with bumper pointed straight up (vertical). Then tape in place.

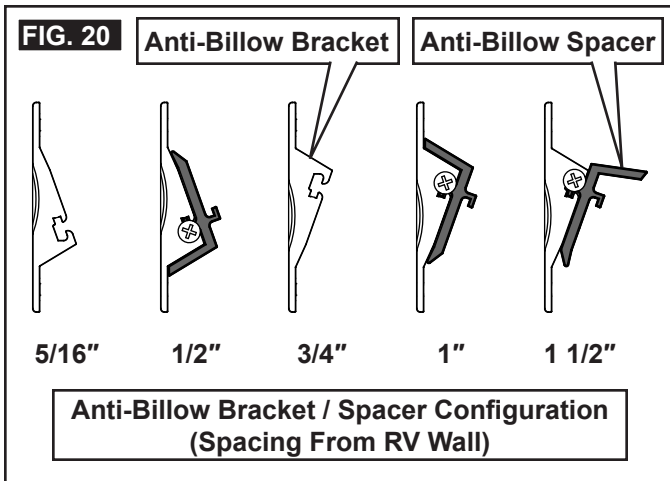
- i** If either screw hole (in anti-billow stop) interferes with existing holes or openings in end cap, rotate anti-billow stop away from RV wall (no more than 30° from vertical position) before tapping.



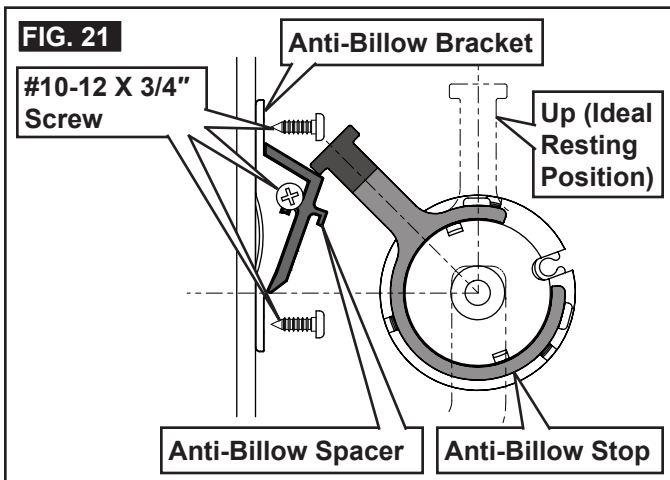
2. Determine required configuration of anti-billow bracket and spacer (spacing from RV wall) to ensure anti-billow stop will **NOT** rotate past a 45° angle (toward RV wall). See (FIG. 19) & (FIG. 20).

- i** The anti-billow bracket and anti-billow spacer can be configured for a spacing range of 5/16" to 1 1/2".

# INSTALLATION



- Using the correct configuration for spacing, position anti-billow bracket (with anti-billow spacer if applicable) on RV wall, then tape in place. See (FIG. 20).
- Verify anti-billow stop will clear anti-billow bracket (with anti-billow spacer if applicable) as slide out room opens. Make adjustments as necessary. See (FIG. 21).



- Place and tighten #10 self drilling screws (provided) through anti-billow stop and into end cap. See (FIG. 18) & (FIG. 19).

**i** Use care **NOT** to move anti-billow stop or scratch end cap while installing screws.

- Place and tighten #10-12 X 3/4" screws (provided) through anti-billow bracket and into solid structure of RV. See (FIG. 21).

**i** If installing on a fiberglass wall, use appropriately sized oscar rivets (installer supplied) instead of screws. See subsection, "B. Optional Components & Kits" on page (4) to order oscar rivets.

- Repeat steps (1) through (6) for second anti-billow stop (if applicable) on other end cap.
- Remove tape from anti-billow stop(s), end cap(s), and anti-billow bracket(s).

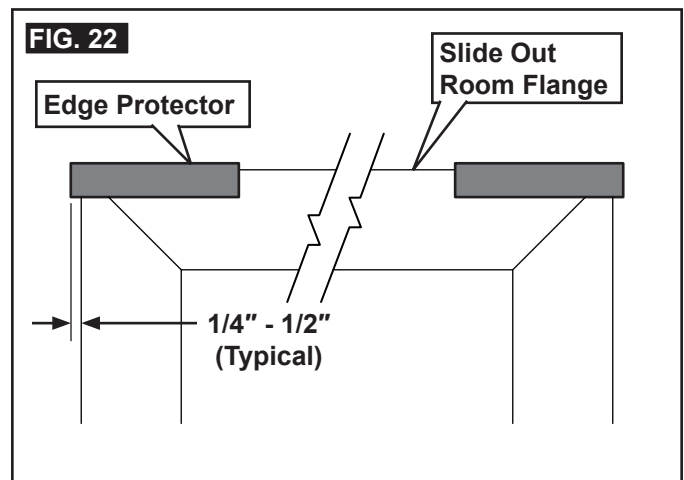
## E. Slide Out Room Flange Edge Protectors

**NOTICE** ALWAYS install edge protectors on slide out room flange. Otherwise, damage to awning fabric could occur.

Starting at 1/4" to 1/2" beyond edge of slide out room flange, press edge protector onto top edge (of slide out room flange) until it is fully engaged and secured in place. Repeat for other end. See (FIG. 22).

**i** See subsection, "B. Optional Components & Kits" on page (4) to order Dometic edge protectors.

A Dometic edge protector may **NOT** be compatible with all applications. If a Dometic edge protector cannot be used, a similar type (compatible) edge protector **MUST** be installed.



## F. Secure Awning Fabric To Awning Rail

- i** **NOTICE** Cotter pins **MUST** be removed from Slide Topper end caps **BEFORE** operating slide out room. Otherwise, damage to the Slide Topper and/or slide out room will occur.

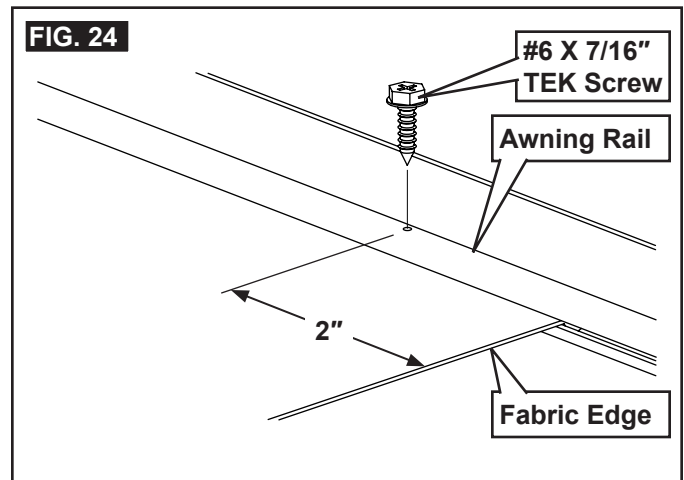
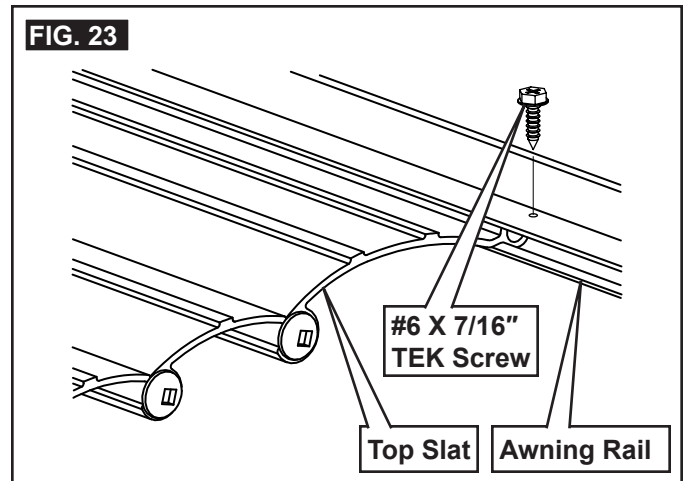
Verify cotter pins have been removed from both end caps. See (FIG. 17).

- Open and close slide out room four or five times to allow natural self adjustment of awning fabric.

**i** See instructions provided with the RV slide out room.

# INSTALLATION

3. Verify alignment of awning fabric:
  - a. If there is a misalignment, adjust the arm extensions by loosening the clamping screws and move the extension accordingly. (Retighten screws.)
  - b. Cycle slide out room again to check alignment.
4. For Slide Toppers with metal slats:  
Install #6 X 7/16" TEK screw immediately next to metal hinge on each end of awning rail. See (FIG. 23).
5. For Slide Toppers **WITHOUT** metal slats:
  - a. Mark location of awning fabric edges on awning rail.
  - b. Pull one edge of awning fabric approximately 1/4" beyond marked position, and secure with #6 X 7/16" TEK screw through awning rail (approximately 2" from fabric edge). See (FIG. 24).
  - c. Pull to stretch opposite edge of awning fabric approximately 3/4", and secure with #6 X 7/16" TEK screw through awning rail (approximately 2" from fabric edge).



# OPERATION

**CAUTION** PINCH HAZARD. Do **NOT** operate [slide out room / Slide Topper] with objects or people in its path. Failure to obey this caution could result in injury.

**NOTICE** Do **NOT** close [slide out room / Slide Topper] with leaves, sticks, or other debris on awning fabric.

The Slide Topper will automatically open and close as your slide out room opens and closes. Follow all instructions provided with the RV slide out room.


**i** If slide out room is left open during rainy conditions, some water may collect on Slide Topper. This will cause water to spill over the sides as Slide Topper rolls up (slide out room closes).

# GENERAL CARE AND USE

## A. Precautions

**NOTICE** Failure to obey the following notices could damage product or property:

- Do **NOT** use insecticides or other sprays near awning fabric. These could cause stains, and could adversely affect fabric's ability to repel water.
- Do **NOT** expose awning to adverse environmental conditions, corrosive agents, or other harmful conditions.
- **NEVER** close awning (for storage) when wet. The combination of moisture and dirt could result in mildew, discoloration, and stains.

 If it is necessary to roll up awning (temporarily) while it's wet, make sure you roll it out and let it dry (as soon as conditions allow) before rolling it up again.

- Do **NOT** allow dirt, leaves, or other debris to accumulate on awning, which could cause abrasion and stains. Mildew could grow on dirt and organic debris causing permanent discoloration, stains, and odors to awning fabric.

## B. Hardware Maintenance

1. **NOTICE** Do **NOT** use strong chemicals or abrasives to clean parts, as their protective surfaces will be damaged.


Clean awning hardware (as needed) with a mild surface cleaner.

2. **NOTICE** Do **NOT** use silicone sprays near labels. Otherwise, the label's adhesive bond to product surfaces could weaken.


Apply silicone spray lubricant as needed to keep the fabric roller tube assembly's moving parts operating smoothly.

## C. Fabric Maintenance

Vinyl fabric offers the advantage of durability and water resistance.

 Wrinkling is a normal characteristic of vinyl. Wrinkling may be more noticeable when retracted, and after prolonged periods of stowage (rolled up). Leave awning open during warm weather to minimize the wrinkling over a period of time.

1. To clean:

-  a. Mix 1/4 cup dish soap and 1/4 cup bleach to 5 gallons of fresh water to use as cleaning solution.


- b. **NOTICE** Do **NOT** use abrasive or corrosive cleaners, mildew removers, or hard bristle brushes on awning fabric.

Liberally drench open awning fabric with cleaning solution.

- c. Close awning, let it soak for 5 minutes, then open awning again.

- d. **NOTICE** Remove solution **COMPLETELY** from awning fabric. Bleach will degrade awning fabric if **NOT** completely rinsed off.

Thoroughly hose off top and bottom of fabric with clean water.


 Repeat as necessary to completely remove solution.


Remove standing water from top of slide out room before closing slide out.

- e. **NOTICE** **NEVER** close awning (for storage) when wet. The combination of moisture and dirt could result in mildew, discoloration, and stains.

Allow awning and top of slide out room to dry thoroughly before stowing (rolling up).

2. To repair a pinhole, or if a spot of coating flakes off from top layer of vinyl fabric:

-  a. Apply a very small dab of VLP (Vinyl Liquid Patch) on tip of cotton swab.

 VLP is available from Dometic Corporation. Reference part number 3314216.000 when ordering.


- b. Gently roll cotton swab around pinhole. The VLP will melt the coating (on fabric) and that will quickly fill in pinhole and blend with all colored vinyls.

- c. **NOTICE** **NEVER** close (roll up) awning when vinyl liquid patch is wet. Otherwise, damage to other parts of awning fabric (melting through layers) will occur.

Allow VLP to dry thoroughly before stowing (rolling up) awning.

## D. When To Get More Help

If malfunctions occur (that cannot be corrected by reviewing these instructions), contact a qualified service technician.

 It is normal for some drips, condensation, or windblown precipitation to enter under the Slide Topper awning canopy.