

User Manual

Manual
del usuario

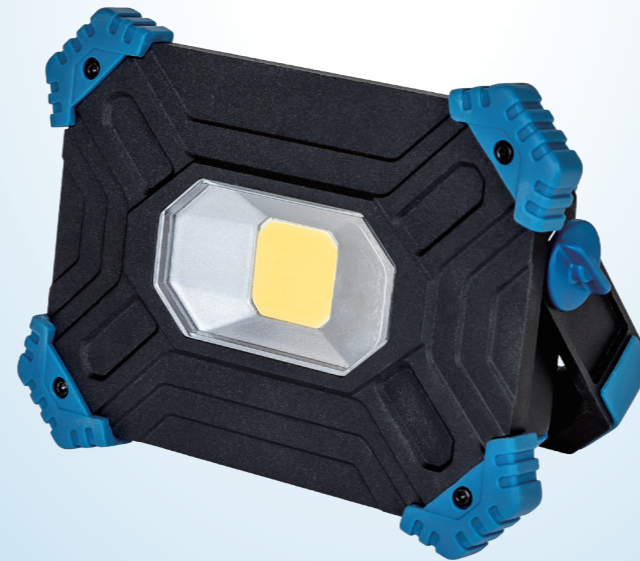
Table of contents

Package contents	3
Components	5
General information	6
Reading and storing these instructions	6
Proper use.....	6
Explanation of symbols	6
Safety	7
Explanation of instructions.....	7
General safety information	8
First use	12
Checking the light and the packaging contents	12
Charging the light.....	12
Operation	13
Using the battery as a power bank.....	13
Cleaning	14
Storage	14
Technical data	15
Disposal	16
Disposing of the packaging	16
Disposing of the light	16

WORKZONE®

RECHARGEABLE LED WORK LIGHT

LUZ LED DE TRABAJO RECARGABLE



US

Made in China

DIST. & SOLD EXCLUSIVELY BY:
ALDI
BATAVIA, IL 60510

AFTER SALES SUPPORT
SERVICIO POSVENTA

90561

☎ US 1-888-367-7373

💻 help@myproduct.care

MODEL / MODELO:
MT03116

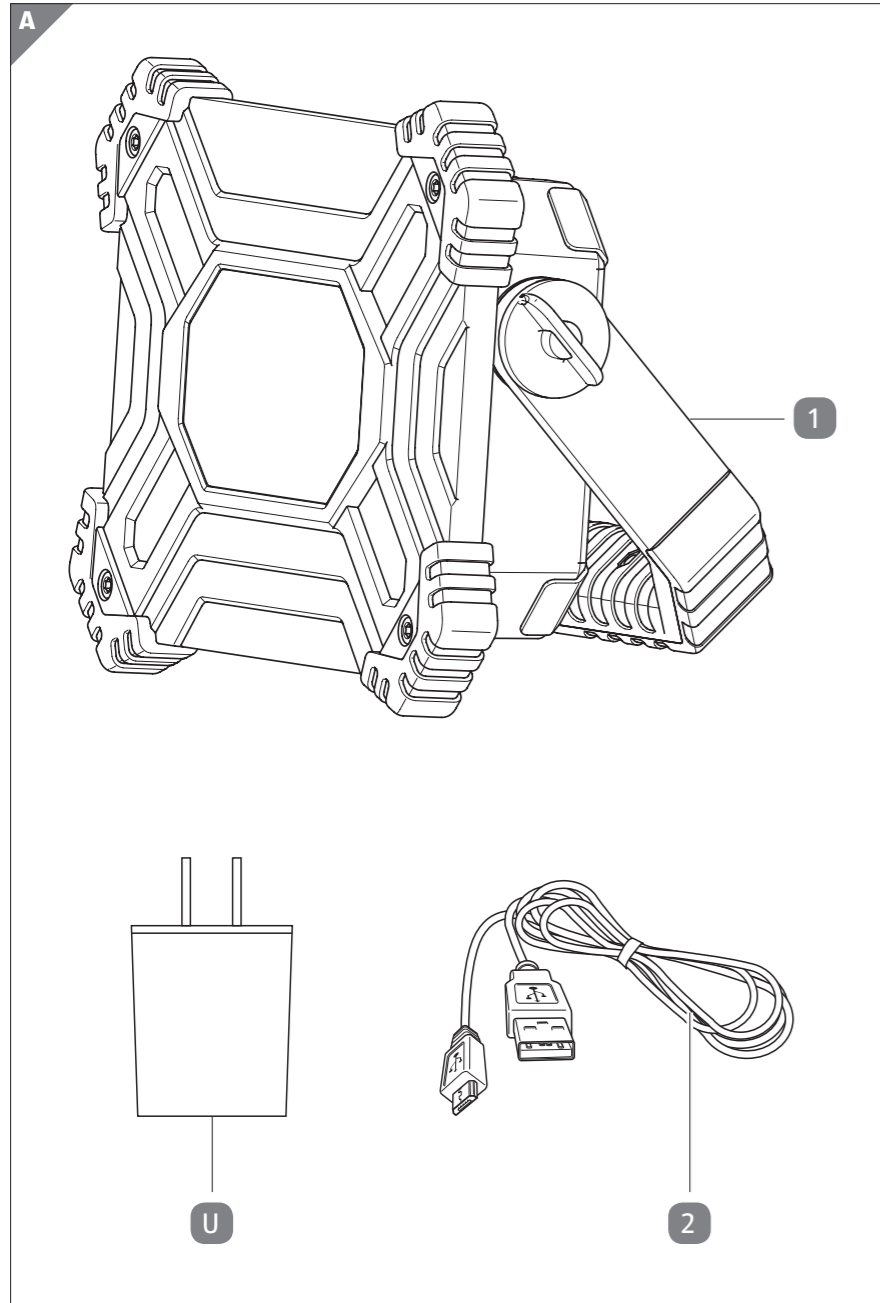
03/2020

3

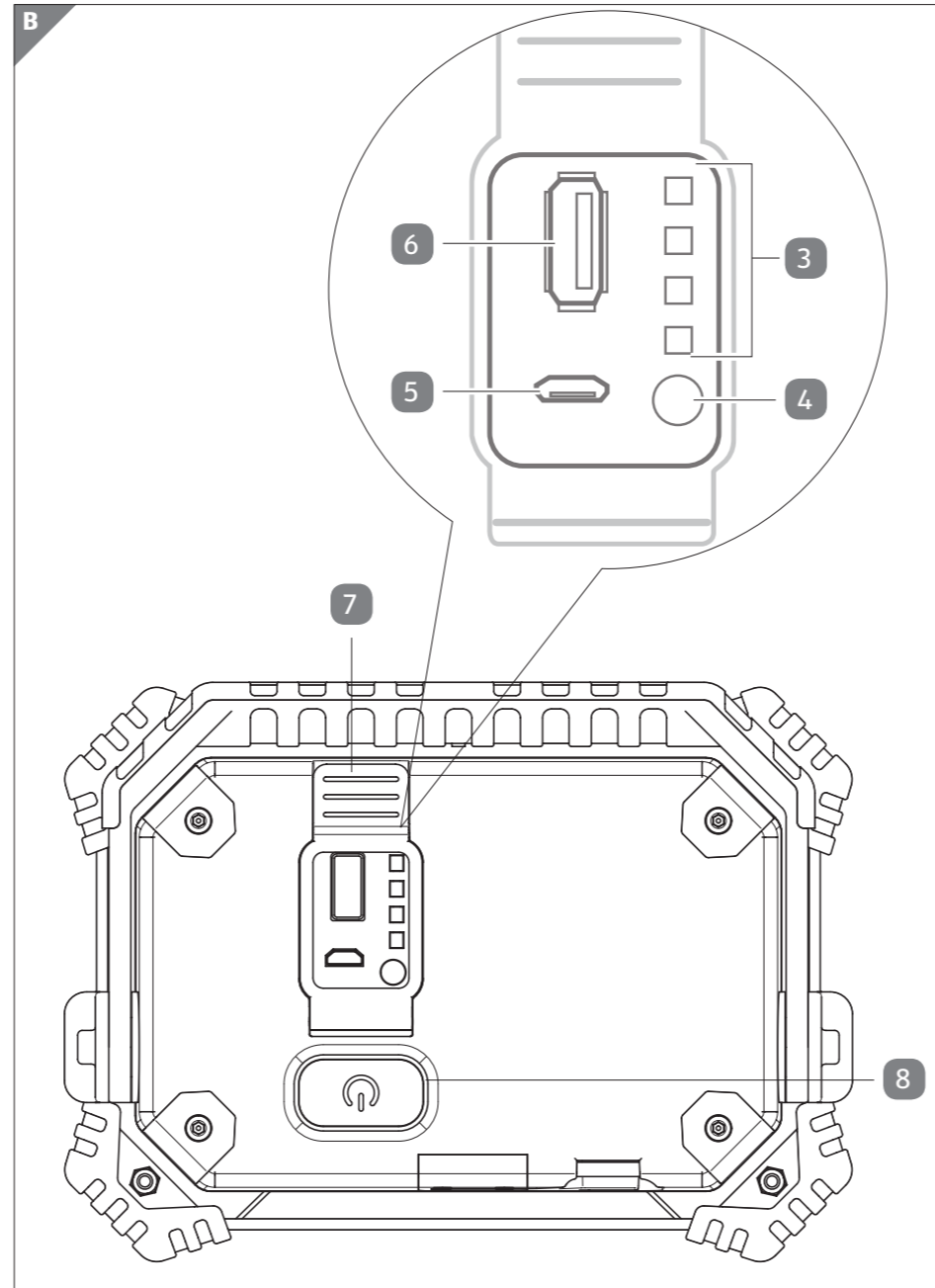
YEARS WARRANTY
AÑOS DE GARANTÍA

English05
Español17

Package contents



3



4