



Bulletin No.: 15818-15042  
Updated: April 2016

## PRODUCT SAFETY RECALL

**SUBJECT: Front Passenger Air Bag Inflator Replacement**

**MODELS: 2005 Saab 9-2X**

**THIS IS FOR 2005 SAAB 9-2X MODELS ONLY (FOR THE USA AND CANADA) THAT ARE LOCATED IN NON-HAH (HIGH ABSOLUTE HUMIDITY) AREAS.**

### CONDITION

Subaru of America is conducting a recall on certain 2005 model year Saab 9-2X vehicles in the U.S. and Canada. Vehicles that are located in NON-HAH areas that were previously part of recall 15040 have been moved under recall 15042.

These vehicles are equipped with SPI-type front passenger air bag inflators. Upon deployment of the passenger side frontal air bag, the inflator may rupture due to exposure to persistent conditions of high absolute humidity and/or due to manufacturing variability.

In the event of a crash necessitating deployment of the passenger side frontal air bag, a susceptible inflator could rupture with metal fragments striking and potentially seriously injuring the vehicle occupants.

### CORRECTION

Saab Official Service Centers (OSCs) are to replace the front passenger air bag inflator module.

### VEHICLES INVOLVED

All affected Saab 9-2X vehicles are identified by Vehicle Identification in the Orio Inquiry by Chassis screen. OSC service personnel should always check this site to confirm vehicle involvement prior to beginning any required inspections and/or repairs. It is important to routinely use this tool to verify eligibility because not all similar vehicles may be involved regardless of description or option content.



## OWNER NOTIFICATION

Notification letters will be sent to owners of all potentially affected vehicles. Owner notification will begin within 60 days. A copy of the Owner Notification Letter(s) will be added to the end of this bulletin when available.

## PART INFORMATION

Parts are to be ordered through the normal parts order process. There will be no pre-shipment of parts.

Saab Part Number	Description	Quantity-Vehicle
98279FE00	INFLATOR ASM, I-P MDL AIR BAG *	1

**\* Note to all Dealers:** Do not discard or destroy the box containing the new passenger air bag inflator module, it will be needed to return the used inflator module. The box contains special instructions for the packaging and shipment of the used inflator. The instructions must be followed without exception. **DO NOT DEPLOY ANY INFLATOR.**

## PART RETURN PROCEDURES – U.S (48 States).

Each removed air bag inflator must be returned directly to the supplier, Takata USA.

Refer to the instructions included with the new inflator module. The used inflator module must be returned within 2 business days of its removal from an involved vehicle. The person packing and shipping the used inflator module must have received hazardous material training and the training records must be on file at your Saab Official Service Center.

- The shipping box contains a bar code label, which will be used by Takata USA to document the replacement of the old inflator with the new inflator. **Therefore, it is very important that the removed inflator be returned in the exact same box that contained the newly-installed inflator for that vehicle.** If the original box cannot be re-used, please refer to the shipping instructions under “Requesting a new box/shipping labels.”
- **IMPORTANT:** When affixing the shipping label to the shipping box do not obstruct the bar code label.
- Prepaid FedEx shipping documents and shipping instructions will be included with each new air bag inflator kit. A copy of this information is included in a separate document.



- A copy of the Repair Order must be included with the returned inflator. The Repair Order must contain the following information: claim number, repair date, full 17-digit VIN, and mileage.
- Takata USA has assigned each Saab Official Service Center a **ChemTrec Contract Number (CCN)**, As shown in step 5 of the shipping documentation instructions, the shipping Saab Service Center must fill in their name, address and CCN.
  - ChemTrec is a company that provides 24-hour emergency response and information to hazardous material shippers.
  - The assigned CCN allows the Saab Official Service Center to ship hazardous material as an affiliate to Takata USA's registration with ChemTrec. This number is required on the return shipping form.
- **Under no circumstances should the air bag inflator be returned to Saab Automobile Parts North America.**

## **PART RETURN PROCEDURES – CANADA**

**Disregard the instructions and shipping forms included with the new inflator module. These instructions/forms are intended for US dealers only! Canadian dealers must refer to the instructions provided at the end of this bulletin!**

- The shipping box contains a bar code label, which will be used by Takata USA to document the replacement of the old inflator with the new inflator. **Therefore, it is very important that the removed inflator be returned in the exact same box that contained the newly-installed inflator for that vehicle.** If the original box cannot be re-used, please refer to the shipping instructions under "Requesting a new box/shipping labels."
- **IMPORTANT:** When sealing the shipping box do not obstruct the bar code label.
- A copy of the Repair Order must be included with the returned inflator. The Repair Order must contain the following information: claim number, repair date, full 17-digit VIN, and mileage.

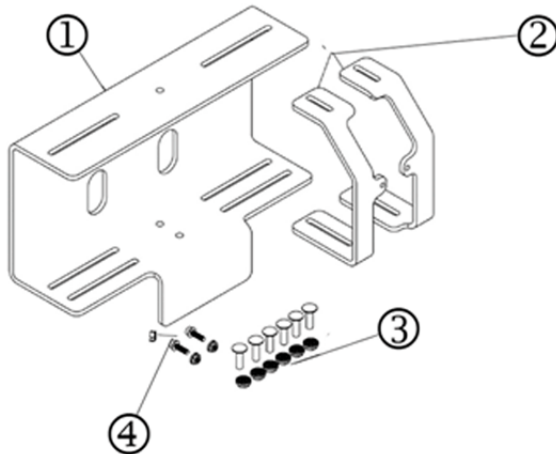
## **SPECIAL TOOLS**

The air bag mounting bracket, shown below, is required to perform the front passenger air bag inflator module replacement procedure described in this bulletin. A bracket will be sent to each Saab Official Service Center (OSC). These brackets are being provided at no charge. If an air bag mounting bracket is not available when an involved vehicle is presented at an OSC for service, please provide courtesy transportation to the customer until an air bag mounting bracket is obtained and the required repair is completed.

**Note:** A limited supply of air bag mounting brackets is available from Bosch Automotive Service Solutions. If additional brackets are needed, they can be ordered by calling 1-



800-GM TOOLS or visiting <https://gmtoolsandequipment.com-en-US/Pages/home.aspx>. Please be sure to request tool number EL-51377 and include a physical shipping address along with a contact name and telephone number.



4006668

**(1) Mounting Bracket (2) Support Bars (3) Support Bar Hardware (4) Air bag Mounting Hardware.**

### SERVICE PROCEDURE

**Note:** Saab Official Service Centers are required to use the air bag mounting bracket to perform the front passenger air bag inflator module replacement procedure. If the air bag mounting bracket is not available, do not proceed with this repair.

**Note:** All involved vehicles are identified by Vehicle Identification Number on the IRIS “Inquiry By Chassis” screen. Saab Official Service Center personnel should always check this site to confirm vehicle involvement prior to beginning any required inspections and-or repairs. It is important to routinely use this tool to verify eligibility because not all similar vehicles may be involved regardless of description or option content.

**Note:** This recall bulletin provides service repair and Labor time information for replacing the passenger side air bag inflator module. Other repairs, if required, are to be billed under warranty, goodwill assistance or customer pay.

1. Connect the scan tool and determine if any diagnostic trouble codes (DTCs) have been set. Record set DTCs, if present, on the Repair Order.
2. Remove the instrument panel (I-P) compartment. Refer to *Instrument Panel Compartment Replacement* in WIS.



3. Disconnect cable from negative battery terminal. Refer to *Battery Negative Cable Disconnection and Connection* in WIS.

**Danger:** Wait at least 90 seconds after disconnecting the cable from the negative battery terminal to prevent air bag and seat belt pretensioner deployment.

**Caution:** Avoid scratching or damaging the dashboard assembly. Place protective tape on the dashboard if needed.

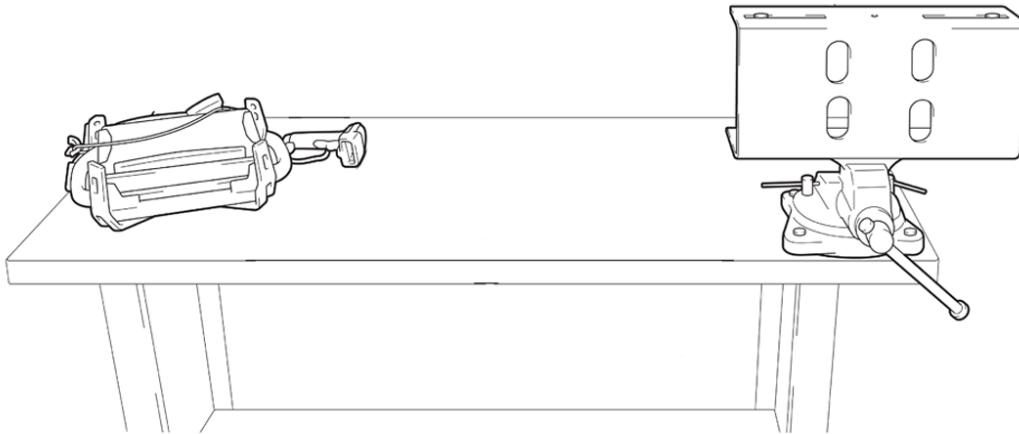
4. Remove the instrument panel passenger air bag assembly. Refer to *Air bag Instrument Panel Module Replacement* in WIS.

### **Safety Precautions**

**Warning:** If an air bag system is not handled using proper procedures and methods, it may be activated accidentally during work resulting in a life-threatening serious accident. If the service procedure is NOT performed correctly, the system may fail to activate when needed. Be sure to perform the proper work safely and according to the instructions in this service procedure.

1. **Eliminate Static Electricity.** Before start of work, touch a metallic portion of the vehicle with a bare hand to discharge static electricity charged on your body.
2. **DO NOT Measure Resistance.** DO NOT measure resistance of air bag components. Measuring current of a circuit tester may cause accidental activation.
3. **Handle The Air Bag Properly.** If an inflator is dropped, replace it with a **NEW** inflator.
4. **DO NOT Allow Foreign Objects Near Air bag.** Collect and account for all removed nuts-bolts to prevent them from landing in the air bag assembly. Any foreign objects in the air bag assembly may cause damage or injury if the air bag is activated.
5. **Wear Protective Equipment.** Always wear appropriate protective equipment when working on the air bag.

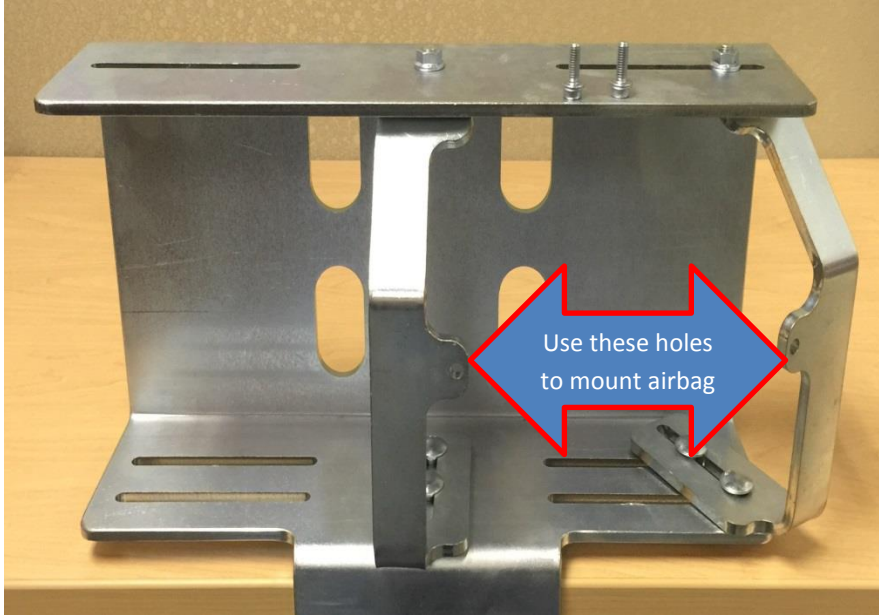
### **Front Passenger Air bag Inflator Module Replacement**



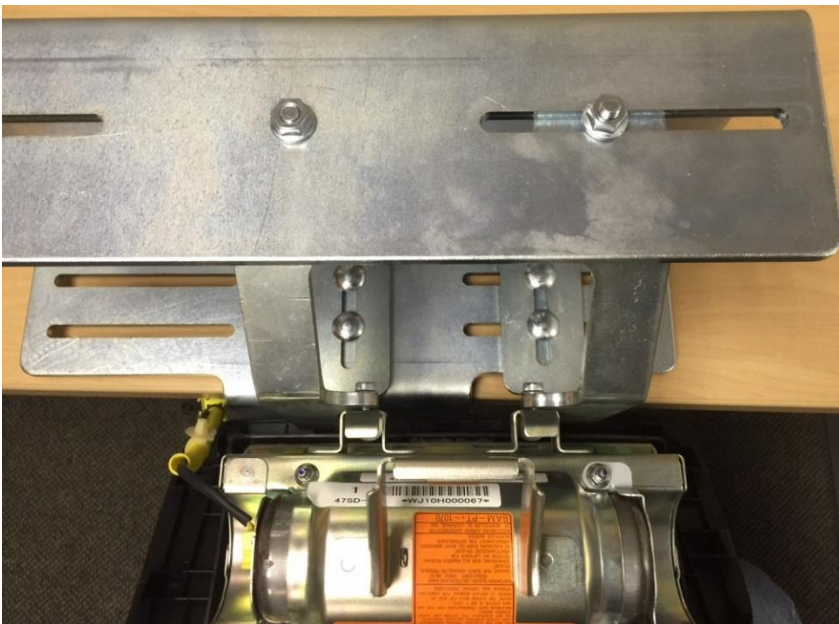
3607819

**Danger:** To avoid personal injury or death, it is critical to use an air bag module bracket when replacing an inflator module. Carefully read and follow the instructions below:

- Confirm the bracket assembly is installed securely in the vice.
  - Confirm there are no loose objects or people exposed to the back side of the bracket for safety in the unlikely event of air bag deployment due to improper work procedures. The air bag is NOT being replaced due to an inadvertent deployment concern.
  - Confirm that no objects, tools or people are within 3 feet (1 meter) of the back side of the bracket.
  - Confirm that no objects, tools or people are within 2 feet (0.6 meters) of the sides of the bracket.
  - BEFORE starting work and periodically while working on the air bag module, touch a metallic part of the work bench to discharge static electricity in the body.
1. Mount the bracket securely in a vice assembled as seen below. Note the position of the brackets and the orientation of the bolt heads.



2. Position the airbag assembly into the holes on the bracket support bars. Use the 2 Allen head bolts supplied with bracket. Once the airbag is in position tighten all of the mounting bracket bolts.



3. Next tighten the 2 Allen bolts (from the kit) holding the air bag to the support bars.
4. Confirm the following steps have been completed BEFORE proceeding to the next step:
  - The bracket is secure in the vise and the airbag is facing away from you.
  - The air bag module is secured to the support bars of the bracket.



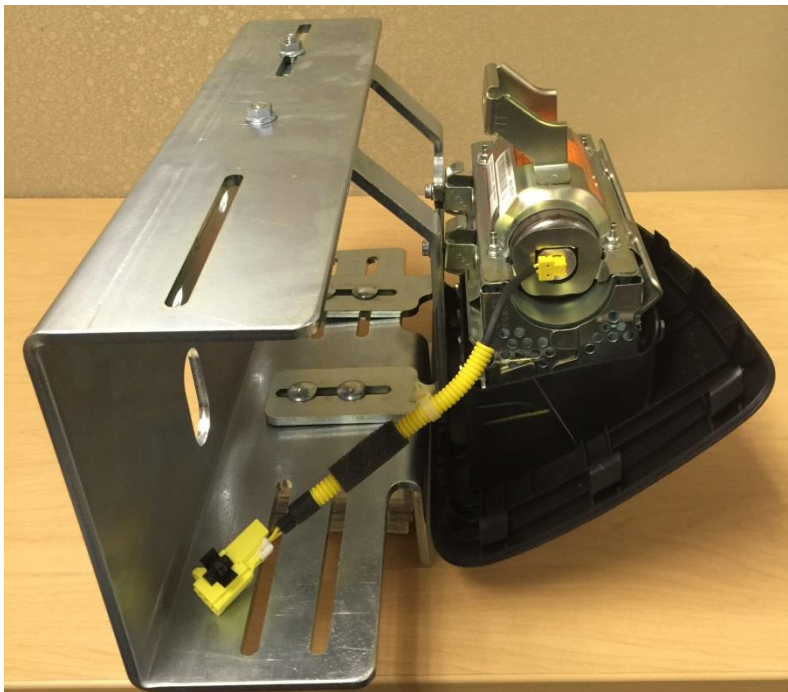
- The support bars are secured on the mounting bracket using one (1) bolt-nut at the top of each support bar and two (2) nuts-bolts at the bottom of each support bar.



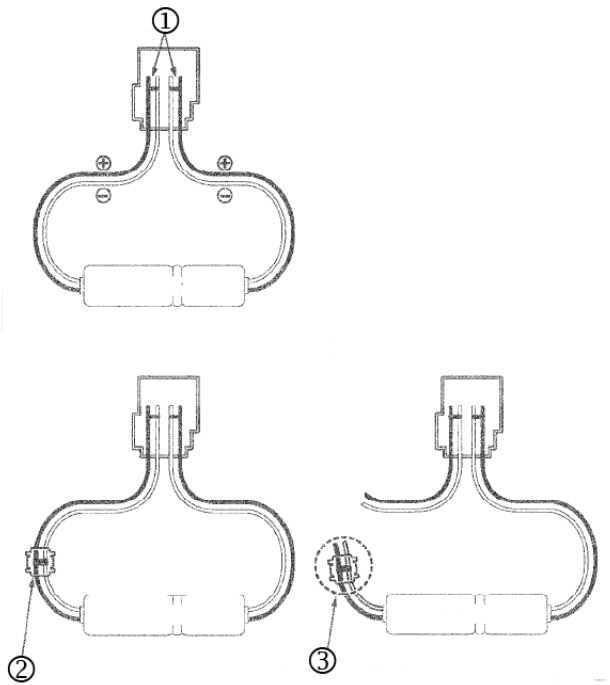
3607909

**Danger:** To avoid personal injury, *ALWAYS* keep as much of your body as possible in front of the bracket when working on the air bag assembly. Remember to periodically touch a metallic part of the vehicle or work bench to discharge static electricity in the body.

The Airbag should be mounted in the bracket as seen below with the bracket clamped securely in a table mounted vise as shown in the line drawing above. (3607909)



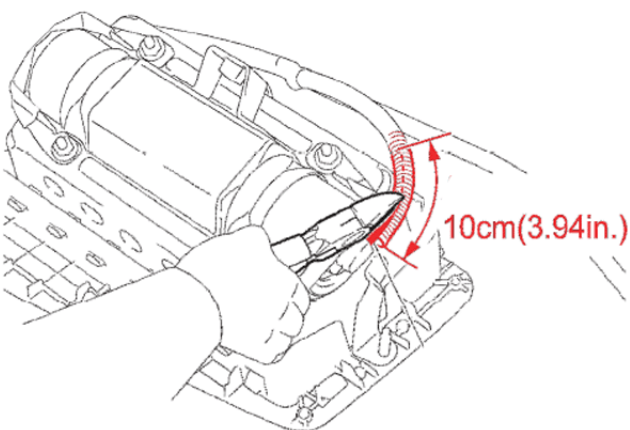




3470510

**Note:** The connector of an air bag inflator has a short-circuiting mechanism that eliminates voltage difference when disconnected (1). To allow for the replacement of the inflator module, a new short circuit using an electro tap (2) **MUST** be created **BEFORE** cutting the wires (3) and removing the inflator.

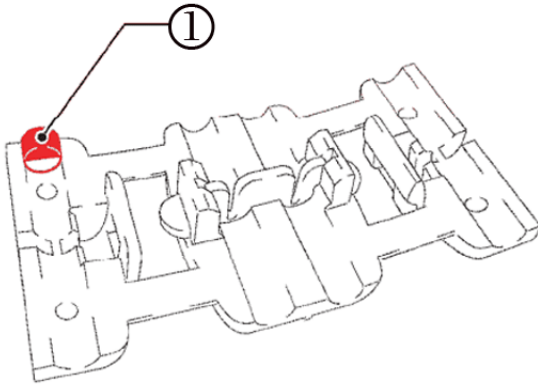
5. Create a short circuit before disconnecting the inflator wire harness.



3470432

**Caution:** DO NOT damage the internal wires when cutting open the corrugate tube. DO NOT use a knife or razor blade to cut the tube to avoid damaging the wires. This step may be performed on either end if the inflator.

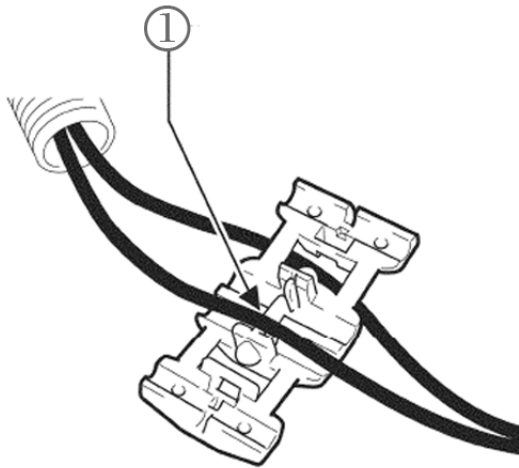
5.1 Cut open the corrugated tube on the yellow harness approximately 10 cm (4 in) using snipers.



3470344

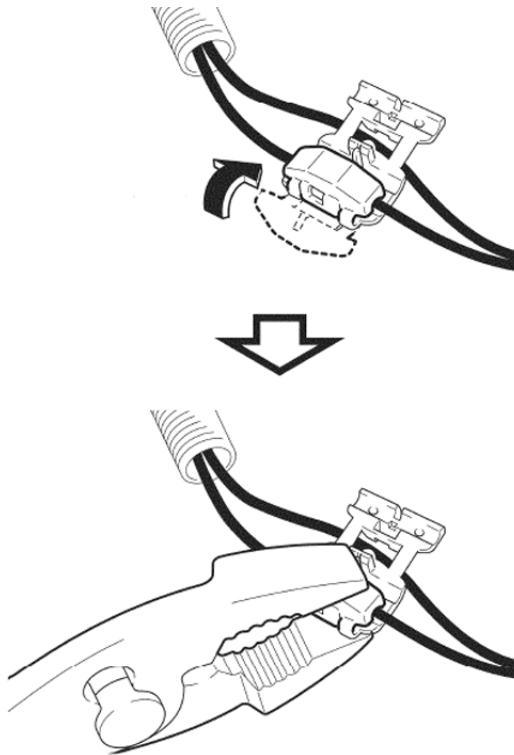
**Danger:** The tab on the electro tap must be removed to ensure a good short.

5.2 Cut off the tab of the electro tap (1) (included in the kit) shown in the illustration.



3470361

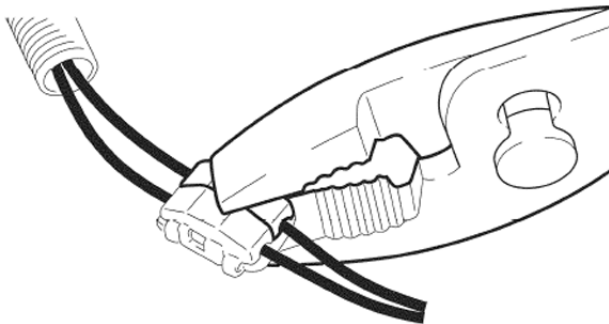
5.3 Short-circuit the two wires using the electro tap. Place one wire (1) in the electro tap as shown in the illustration.



3470357

**Note:** Simultaneously working on the two wires tends to cause a mistake. Be sure to set the wire in the electro tap one wire at a time. Lock the electro tap firmly using pliers. If locked by hand, the electro tap may unfasten.

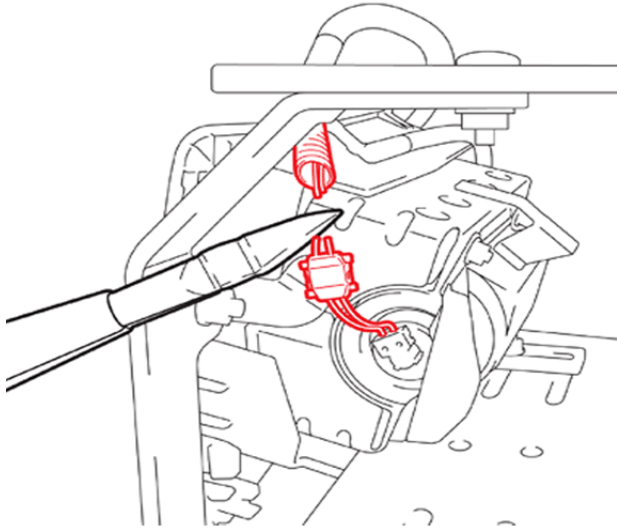
5.4 Fold and pinch the half of the electro tap where the first wire was just placed using pliers to lock firmly.



3470369

5.5 Set the other wire in the electro tap and lock in a similar way with pliers.

## 5.6 Cut wires to inflator.



3607837

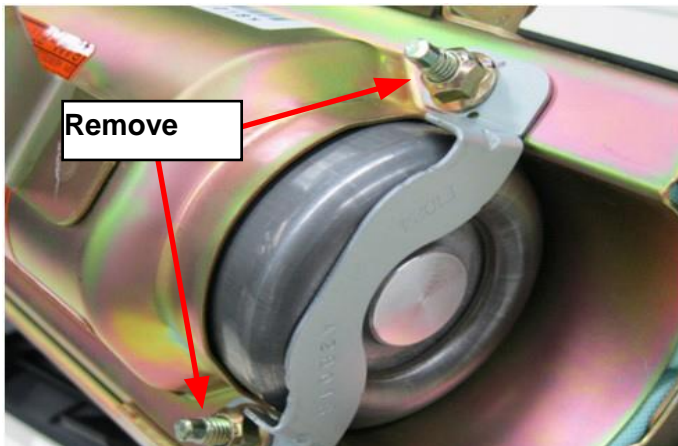
**Danger:** Do NOT measure resistance of the inflator wires. This may cause accidental activation of the inflator.

**Caution:** Make sure to cut the two wires at the correct location. Refer to the illustration.

6. Cut the two wires at the side of the electro tap opposite to the inflator (the side of the electro tap that is farthest away from the inflator).

**Caution:** DO NOT use power tools.

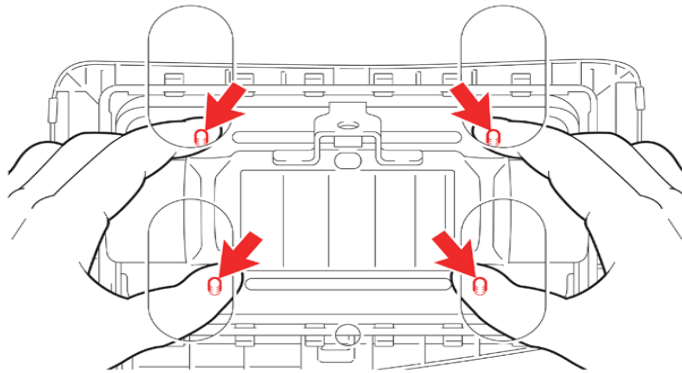
7. Remove the two 8mm self-locking nuts securing the stopper plate. Loosen but do not remove the other two nuts on the mounting bracket as leaving them in place will help keep the airbag assembly together.



8. Remove the stopper plate.

9. Discard the 4 nuts as they are not to be reused.

10. Gently push in the 4 studs to loosen the inflator for removal

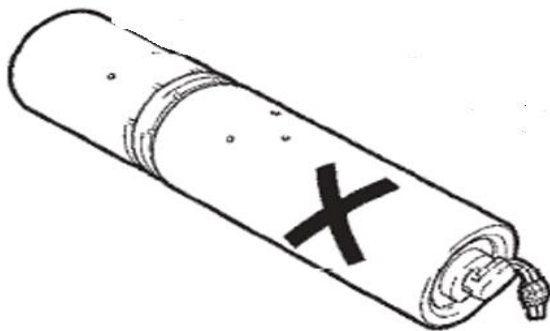


3607857

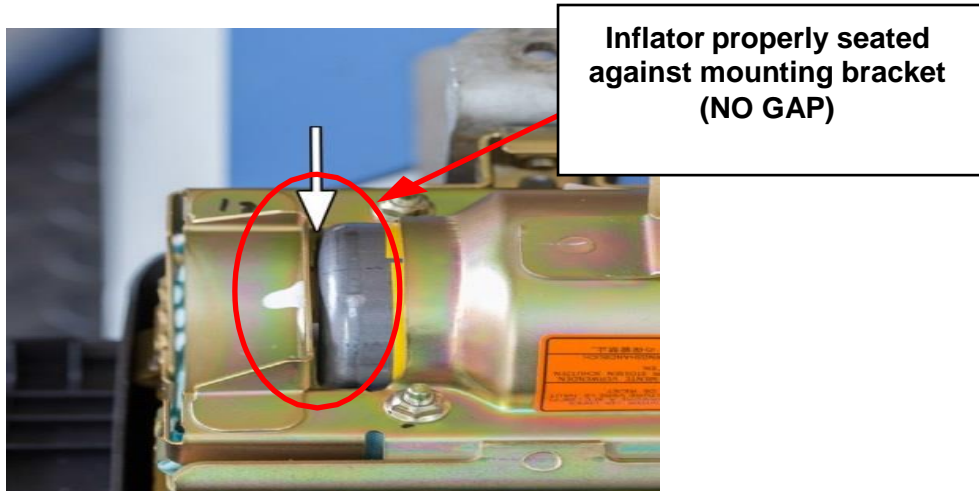
10.1 Remove the inflator. Use caution while guiding the harness through the stopper plate hole.



10.2 Remove the inflator from the air bag assembly and place it on a safe work surface.



10.3 Put a mark on the removed inflator and store it in the provided replacement part box. Refer to the packaging instructions that were included with the new inflator module kit **and/or at the end of this bulletin.**



11. Carefully slide the new inflator into the air bag assembly, make sure to put the end with the harness connector in first and that the protective foil cover is still in place.

**Warning:** Confirm the flats on the stopper plate and inflator are aligned.



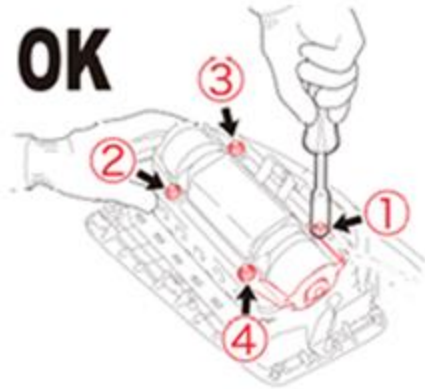
**Note:** DO NOT remove the seal until just before connecting the harness.

12. Confirm the inflator is flush mounted with no gap. Re-install the stopper bracket. Install the new nuts onto the 4 studs by hand. They will be torqued at a later step.

**Note:** DO NOT fully remove the seal until just before connecting the harness.

13. Fold the seal in order to prevent it from being caught under the position determining plate in the next step.

14. Tighten four (4) **NEW** plate nuts evenly in several increments in the order shown in the illustration below using a 10 mm socket driver while pushing the inflator. (You will encounter some resistance during tightening because these nuts are self-locking nuts.) **Torque Specification: 3.9 Nm (35 in-lb)**

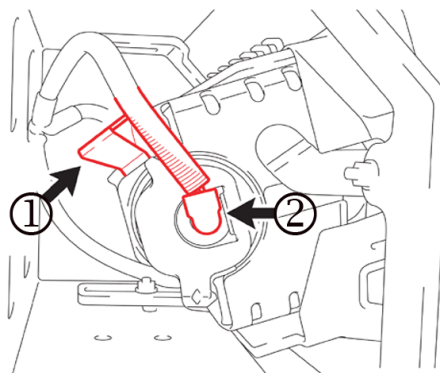


**Caution:** There will be some resistance when tightening the nuts because they are self-locking. Confirm the nuts are tightened correctly. *DO NOT* use a power tool, T-handle, or ratchet when tightening the nuts to avoid over-torquing.

**Warning:** The connector should be connected *IMMEDIATELY* after removing the seal. Once the connector is installed it *CANNOT* be removed. If the connector is installed in the incorrect orientation the terminals may be bent or the connector may not fully engage.

15. Connect the inflator connector (2).

15.1 Remove the connector seal from the inflator. Plug in the harness

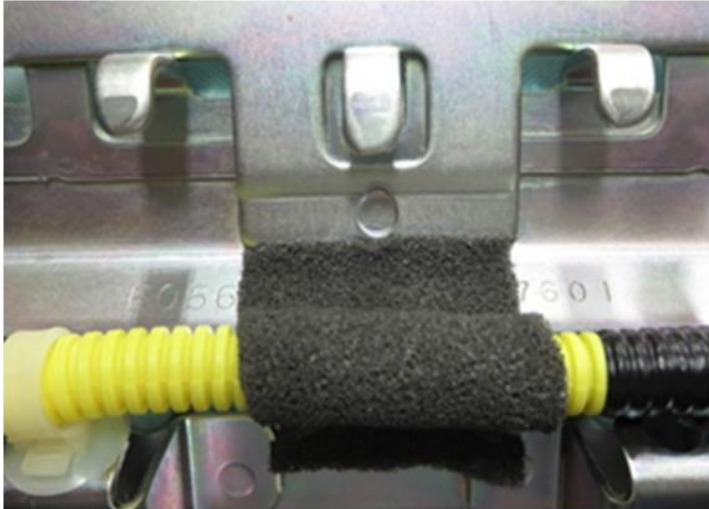


15.2 Confirm the alignment of the harness connector as shown in the illustration, and then connect the harness. The connector wires should lead toward the center mounting bracket (1) on the air bag assembly.

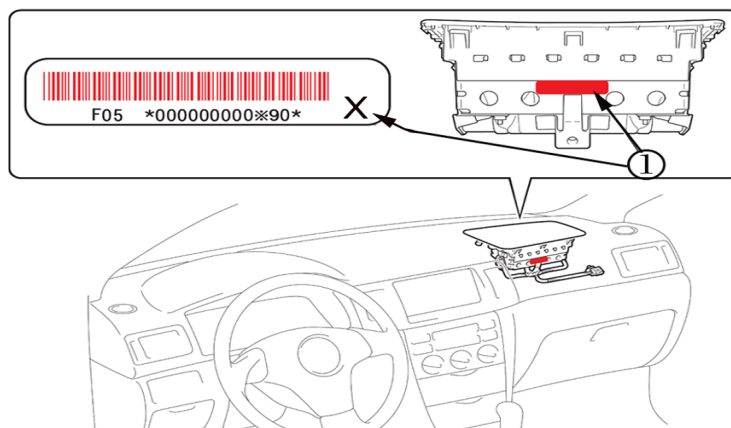
**Reinstall the wiring harness retaining clip into its position on the mounting bracket.**

16. Remove the air bag assembly from the bracket by removing the two Allen bolts and the air bag assembly. Place the air bag assembly on a cloth.

17. Peel the adhesive backing and install the new Sponge Tape onto the yellow harness tube first then adhere it to the airbag mounting bracket as shown in the illustration below.



18. Inspect the air bag before installing it into the vehicle.
  - 18.1 Confirm that the 4 **NEW** plate nuts are installed and tight.
  - 18.2 Confirm the **NEW** stopper and position determining plates are installed.
  - 18.3 Confirm the flats on the position determining plate and inflator are aligned.
19. Confirm the orientation of the inflator; the yellow wires should face the right side of the vehicle.



3610495

- 19.5 Using a pen or marker, put an 'X' in the lower right-hand corner of the air bag bar code label (1).
20. Install the instrument panel passenger air bag assembly. Refer to *Air bag Instrument Panel Module Replacement* in WIS.





**Note:** This field action bulletin provides service repair and Labor time information for replacing the passenger side air bag inflator module. Other repairs, if required, are to be billed under warranty, goodwill assistance or customer pay.

21. Connect scan tool and check for DTCs.

21.1 Clear DTCs, if present.

21.2 If DTCs are still present, record set DTCs on the job card.

22. Install the instrument panel (IP) compartment. Refer to Instrument Panel Compartment Replacement in WIS.

### **WARRANTY TRANSACTION INFORMATION**

Submit a claim using the table below.

CLAIM INFORMATION – US & Canada Saab Only

<b>Labor Op.</b>	<b>Description</b>	<b>Failed Object</b>	<b>Fault-Reason Code</b>	<b>Loc. Code</b>	<b>Warr Type</b>	<b>Repair-Action Code</b>	<b>Labor Time</b>	<b>RAC</b>
1504201	Replace Front Passenger Air Bag Inflator Module	15042	71	4	05	01	1.1	3



## CUSTOMER NOTIFICATION – For U.S. and Canada

Saab-General Motors will notify customers of this recall on their vehicle.

The U.S. National Traffic and Motor Vehicle Safety Act provides that each vehicle that is subject to a recall of this type must be adequately repaired within a reasonable time after the customer has tendered it for repair. A failure to repair within sixty days after tender of a vehicle is prima facie evidence of failure to repair within a reasonable time. If the condition is not adequately repaired within a reasonable time, the customer may be entitled to an identical or reasonably equivalent vehicle at no charge or to a refund of the purchase price less a reasonable allowance for depreciation. To avoid having to provide these burdensome remedies, every effort must be made to promptly schedule an appointment with each customer and to repair their vehicle as soon as possible. In the recall notification letters, customers are told how to contact the U.S. National Highway Traffic Safety Administration if the recall is not completed within a reasonable time.

OSCs are to service all vehicles subject to this recall at no charge to customers, regardless of mileage, age of vehicle, or ownership, from this time forward. In summary, whenever a vehicle subject to this recall enters your vehicle inventory, or is in your facility for service in the future, you must take the steps necessary to be sure the recall correction has been made before selling or releasing the vehicle.

## \*\*\* Passenger Airbag Recall – Return Shipment Preparation for Canada Only \*\*\*

These following instructions support mandatory return of **ALL** passenger airbag inflators. Additional information is available in the Safety Recall Bulletin 15442-15040

**IMPORTANT: Do not deploy any inflator. The person packing the used inflator must read & follow the instructions below.**

### 1. Packaging Instructions:

a) Confirm box is in acceptable condition. If a new box is required, follow the “Requesting A New Box” instructions below.

b) Place the un-deployed air bag inflator in the “cradle” of the box insert, with a completed copy of the R.O. attached to it. The R.O. must contain the following information: Repair Date, 17-digit VIN, and Mileage. **Do not include any other hardware that may rattle causing rejection of your shipment.**



**2. Closure Instructions:** Close the top box flap, per box closure instructions located on front panel of box. Use 2 in. wide clear packing tape. Firmly apply a minimum of 2 inches of tape on front flap, and a minimum of 2 inches on bottom side of box.



### 3 Shipping/Handling Instructions:

Quarantine the sealed box(es) in a secure indoor location that will prevent mixing with your normal daily returns or scrap. Once 50 boxes have been accumulated or if 50 boxes have not been accumulated in 30 days, send an email to both of the following email addresses to arrange for pickup. **Note: The email must include the address and contact information of the Pickup location and the quantity of inflators to be collected. Also include “Takata Inflator Campaign” in the subject line.**

**Note: Do not complete the FedEx forms enclosed in the box. These are for USA only.**

Email to: [MenloControlTower@craneww.com](mailto:MenloControlTower@craneww.com)  
[MLGTakataRestraints\\_International@menloworldwide.com](mailto:MLGTakataRestraints_International@menloworldwide.com)

#### Escalation Contact info: (Crane Worldwide Logistics – ORD)

**Becky Argyropoulos,**

Office: +1 630 477 9100

Direct: +1 630 477 9023

**Mobile: +1 312 617 8289**

Email: [Becky.Argyropoulos@craneww.com](mailto:Becky.Argyropoulos@craneww.com)

**Catherine Dadvias**

Office: +1 630 477 9100

Direct: +1 604 231 9896

**Fax: +1 604 231 9856**

Email: [Catherine.Dadvias@craneww.com](mailto:Catherine.Dadvias@craneww.com)

**4. Requesting a New Shipping Box:** If a new box is required, please contact:

**Armando Gonzales**-Tel: 210-250-5079, E-Mail: [MLGTakataRestraints\\_International@menloworldwide.com](mailto:MLGTakataRestraints_International@menloworldwide.com)

To expedite your request, please provide the following information with your email:

a) The serial number on the original box

b) Saab Official Service Center Information: OSC Address, Contact Name and Phone Number