

**KOZY HEAT**
FIREPLACES

Quality Fireplaces for Life

Models: #56701

#56701-RF

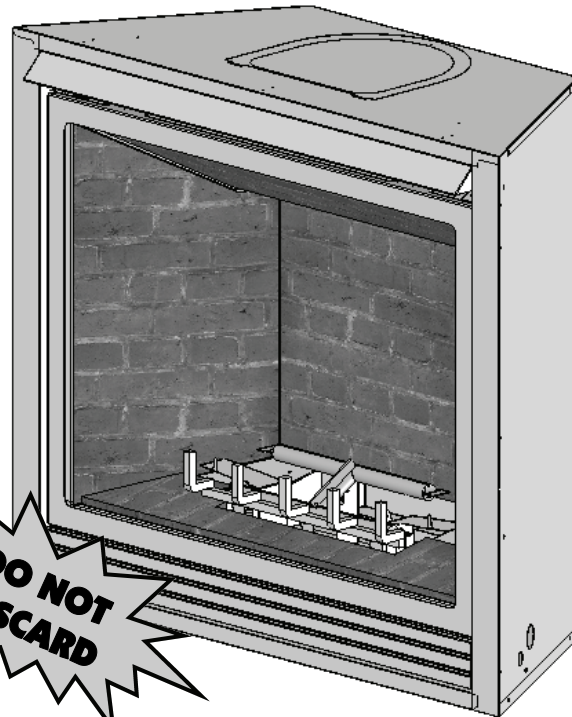
THIEF RIVER FALLS - TRF

DIRECT VENT FIREPLACE

**INSTALLATION
AND
OPERATION MANUAL**

INSTALLER: LEAVE THIS MANUAL WITH THE APPLIANCE.

CONSUMER: RETAIN THIS MANUAL FOR FUTURE REFERENCE.



WARNING: This product must be installed by a licensed plumber or gas fitter when installed in the commonwealth of Massachusetts.

IMPORTANT: Installation of a CO detector is required in the fireplace room when installed in the commonwealth of Massachusetts.

WARNING: If the information in these instructions are not followed exactly, a fire or explosion may result, causing property damage, personal injury or loss of life.

❑ Do not store or use gasoline or other flammable vapors and liquids in the vicinity of this or any other appliance.

IF YOU SMELL GAS:

- ❑ Do not light any appliance.
- ❑ Do not touch any electrical switch: do not use any phone in your building.
- ❑ Immediately call gas supplier from a neighbors phone. Follow the gas supplier instructions.
- ❑ If you cannot reach your gas supplier, call the fire department.
- ❑ Installation and service must be performed by a qualified installer, service agency or the gas supplier.

This appliance may be installed in an aftermarket permanently located, manufactured (mobile) home, where not prohibited by local codes.

This appliance is only for use with the type (s) of gas indicated on the rating plate. A conversion kit is supplied with the appliance.

Tested & Listed By  Beaverton Oregon USA
OMNI-Test Laboratories, Inc.

www.kozyheat.com



We recommend that our gas hearth products be installed and serviced by professionals who are certified in the U.S. by the National Fireplace Institute® (NFI) as NFI Gas Specialists.

July -2008
TRF-R09

INTRODUCTION

**Read this manual before installing or operating this appliance.
Please retain this owner's manual for future reference.**

CONGRATULATIONS!

We welcome you as a new owner of a Kozy Heat gas fireplace. Kozy Heat products are designed with superior components and materials and assembled by trained craftsmen who take pride in their work. The burner and valve assembly are 100% test-fired and the complete fireplace is thoroughly inspected before packaging to ensure that you receive a quality product. Our commitment to quality and customer satisfaction have remained the same for over 30 years. We offer a complete line of gas and wood fireplaces, unique cabinets and stylish accessories to compliment any décor. Adding a fireplace is one of the best ways to increase the value of your home and we are proud to offer a network of dealers throughout the country to help make your experience everything you imagine. We pride ourselves in being dedicated to not only function and reliability, but customer safety as well. We offer our continual support and guidance to help you achieve the maximum benefit and enjoyment from your Kozy Heat gas fireplace.



Jim Hussong
President



Dudley Hussong
Board Chairman

Homeowner Reference Information

We recommend that you record the following information about your fireplace.

Model Name: _____ Date purchased/installed: _____

Serial Number: _____ Location on fireplace: _____

Dealership purchased from: _____ Dealer Phone: _____

Notes: _____

TABLE OF CONTENTS

INTRODUCTION	
Introduction and Homeowner Reference Information	1
TABLE OF CONTENTS	
Table of Contents	2
SAFETY INFORMATION	
Safety Information	3
FEATURES	
Features	4
COMMONWEALTH OF MASSACHUSETTS INFORMATION	
Commonwealth of Massachusetts Information	5
SPECIFICATIONS	
Fireplace Dimensions	6
Clearances	7
Components List	8
Installation Overview	8
Placement Clearance Requirements	8
PREPARE THE FIREPLACE	
Nailing Flange Assembly & Installation	9
Combustible Material Stand-off Installation	9
Top Stand-Off Adjustment	9
FRAMING	
Wall Enclosure Rough Opening	10
Minimum Finished Opening Dimensions	10
Vertical Terminations	11
Horizontal Terminations	11
TYPICAL INSTALLATION OPTIONS	
Typical Installation Options	12
MANTEL REQUIREMENTS	
Mantel Requirements	13
GLASS FRAME ASSEMBLY	
Glass Frame Assembly Removal	14
Glass Frame Assembly Installation	14
FAN INSTALLATION	
TMT-028 (56701 only) Optional Fan Installation	15-16
GAS LINE CONNECTION	
Gas Line Connection	17
56701 THERMOSTAT / WALL SWITCH / REMOTE	
56701 Thermostat / Wall Switch / Remote	18
VENTING	
Top Vent Conversion Instructions	19-20
Horizontal Vent System Clearances	21
Min. / Max. Horizontal Vent System Information (Top Vent)	22

VENTING (cont.)	
Min. / Max. Horizontal Vent System Information (Rear Vent)	23
Minimum Horizontal Corner Installation Information	24
Vertical Vent System Clearances	25
Vertical Terminations (Top & Rear Vent)	26
Restrictor Installation	26
Horizontal / Vertical Combination Venting	27
700 Series Flex Vent Installation	28-29
Termination Cap Location	30
Vertical Cap Requirements	31
LOG SET INSTALLATION	
Log Set Installation	32-34
MILLIVOLT BOARD	
Millivolt Board Removal	35
Millivolt Board Installation	36
GRILL SET	
Grill Set Installation	37
Grill Set Removal	37
56701 OPERATING INSTRUCTIONS	
56701 Valve and Pilot Assembly Components	38
56701 Lighting and Shutdown Instructions	39-41
56701 Pressure Testing	42
56701-RF OPERATING INSTRUCTIONS	
56701-RF Valve and Pilot Assembly Components	43
56701-RF Lighting and Shutdown Instructions	44-46
56701-RF Pressure Testing	47
56701-RF Remote Receiver Functions	48-49
FINALIZING THE INSTALLATION	
Burner Tube Adjustment / Troubleshooting	50
Restrictor Troubleshooting / Installation after Termination Completion	51
MAINTENANCE	
Maintenance	52
TROUBLESHOOTING	
56701 Troubleshooting	53-55
56701-RF Troubleshooting	56-58
REPLACEMENT PARTS LIST	
Replacement Parts List	59
WARRANTY	
Warranty	60-61

SAFETY INFORMATION

This fireplace has been tested to and complies with ANSI Z21.88a-2007-CSA 2.33a-2007-CSA P.4.1-02 "VENTED GAS FIREPLACE HEATERS" by OMNI-Test Laboratories, Beaverton, OR. Installation must conform with local building codes or in the absence of local building codes, with the National Fuel Gas Code, ANSIZ223.1/NFPA 54 - Current Edition, or the Natural or Propane Installation Code, CSAB149.1

- Installation and repair should be done only by a qualified service person. The appliance should be inspected by a qualified service person before use. Annual inspection by a qualified service person is required to maintain warranty. More frequent cleaning may be required due to excessive lint from carpeting, bedding materials, etc. It is imperative that control compartments, burners and circulation air passageways of the appliance be kept clean.
- If this appliance is installed directly on carpeting, tile or other combustible material other than wood flooring, the appliance shall be installed on a metal or wood panel extending the full width and depth of the appliance.
- Children and adults should be alerted to the hazards of high surface temperatures and should stay away to avoid burns or clothing ignition.
- Young children should be carefully supervised when they are in the same room as the appliance.
- Clothing or other flammable material should not be placed on or near the appliance.
- Adequate accessibility clearances for servicing and proper operation must be maintained.
- This appliance must not share or be connected to a chimney flue serving any other appliance.
- Keep area around the appliance clear of combustible materials, gasoline and other flammable vapor and liquids.
- The flow of combustion and ventilation air must not be obstructed.
- Due to high temperatures the appliance should be located out of traffic and away from furniture and draperies.
- The glass front or any part removed for servicing the appliance must be replaced prior to operating the appliance. Work should be done by a qualified service technician.
- Clean glass only when cool and only with non-abrasive cleansers.
- Do not operate this appliance with the glass/frame assembly removed, cracked or broken. The glass assembly, Part #TRF-057T, shall only be replaced as a complete unit, as supplied by Hussong Mfg. Co., Inc. Replacement of the glass assembly must only be performed by a licensed or qualified service person. DO NOT SUBSTITUTE MATERIALS.
- Do not strike or slam glass assembly.
- Any safety screen or guard removed for servicing the appliance must be replaced prior to operating the appliance.
- Under no circumstances should any solid fuel (wood, coal, paper or cardboard etc.) be used in this appliance.
- Keep burner and control compartment clean.
- Do not use this fireplace if any part has been under water. Immediately call a qualified service technician to inspect this appliance and to replace any part of the control system and any gas control which has been under water.

FEATURES

STANDARD FEATURES

- High efficiency
- High quality lifetime glass
26" x 35" (660 mm x 889 mm)
- Quick latch glass frame assembly
- Upper grill / hood & lower grill (black)
- Accepts rigid pipe or Kozy Heat flexible vent system, rear vent ready
- High - Low regulator
- Patented log design
- Automatic fan kit (2) - 75 CFM*
- Refractory brick lining*
- Minnesota Energy Code compliant to 50 pascals

*Standard on RF model

SAFETY FEATURES

- **Each unit factory tested!**
- Tested by OMNI - Test Laboratories
- Sealed combustion chamber with standing pilot ignition
- Removable millivolt board with 30-second delay pilot
- Automatic pressure relief glass system
- Requires no electricity to operate (excluding fan)
- Bedroom and mobile home approved

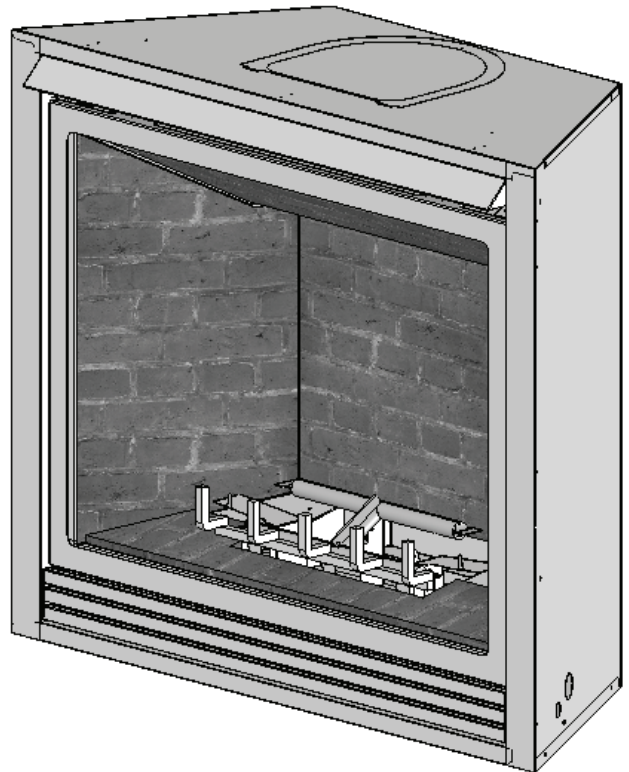
OPTIONAL FEATURES

- Red brick refractory
- Flex vent adaptor kit
- Automatic fan kit with variable speed control (2) 75 CFM)
- Remote control* or thermostat remote control
- Wall mount thermostat / wireless wall mount thermostat
- Decorative full door faces in various styles and finishes
- Renaissance pattern front
- Mission design doors in various finishes
- Various cabinet & flush surrounds

*Standard on RF model

WEIGHT

- Fireplace Weight (as packaged for shipment)
161 lbs. (73.03 kg)



COMMONWEALTH OF MASSACHUSETTS REQUIREMENTS



NOTE: The following requirements reference various Massachusetts and national codes not contained in this manual.

For all sidewall horizontally vented gas fueled equipment installed in every dwelling, building or structure used in whole or in part for residential purposes, including those owned or operated by the Commonwealth and where the side wall exhaust vent termination is less than (7) feet above finished grade in the area of the venting, including but not limited to decks and porches, the following requirements shall be satisfied:

INSTALLATION OF CARBON MONOXIDE DETECTORS

At the time of installation of the side wall horizontally vented gas fueled equipment, the installing plumber or gas-fitter shall observe that a hard wired carbon monoxide detector with an alarm and battery back-up is installed on the floor level where the gas equipment is to be installed. In addition, the installing plumber or gas-fitter shall observe that a battery operated or hard wired carbon monoxide detector is installed on each additional level of the dwelling, building or structure served by the side wall horizontal vented gas fueled equipment. It shall be the responsibility of the property owner to secure the services of qualified licensed professionals for the installation of hard wired carbon monoxide detectors.

In the event that the side wall horizontally vented gas fueled equipment is installed in a crawl space or attic, the hard wired carbon monoxide detector with alarm and battery back-up may be installed on the next adjacent floor level.

In the event that the requirements of this subdivision can not be met at the time of completion of installation, the owner shall have a period of thirty (30) days to comply with the above requirements; provided, however, that during said thirty (30) day period, a battery operated carbon monoxide

APPROVED CARBON MONOXIDE DETECTORS

Each carbon monoxide detector as required in accordance with the above provisions shall comply with NFPA 720 and be ANSI/UL 2034 listed and IAS certified.

SIGNAGE

A metal or plastic identification plate shall be permanently mounted to the exterior of the building at a minimum of eight (8) feet above grade directly in line with the exhaust vent terminal for the horizontally vented gas fueled heating appliance or equipment. The sign shall read, in print no less the one-half inch (1/2) in size, **“GAS VENT DIRECTLY BELOW. KEEP CLEAR OF ALL OBSTRUCTIONS”**.

INSPECTION

The state or local gas inspector of the side wall horizontally vented gas fueled equipment shall not approve the installation unless, upon inspection, the inspector observes carbon monoxide detectors and signage installed in accordance with the provisions of 248 CMR 5.08 (2) (a) 1 through 4.

EXEMPTIONS

The following equipment is exempt from 248 CMR 5.08 (2) (a) 1 through 4: The equipment listed in Chapter 10 entitled “Equipment Not Required To Be Vented” in the most current edition of NFPA 54 as adopted by the Board; and Product Approved side wall horizontally vented gas fueled equipment installed in a room or structure separate from the dwelling, building or structure used in whole or in part for residential purposes.

MANUFACTURER REQUIREMENTS - GAS EQUIPMENT VENTING SYSTEM PROVIDED

When the manufacturer of Product Approved side wall horizontally vented gas equipment provides a venting system design or venting system components with the equipment, the instructions provided by the manufacturer for installation of the equipment and the venting system shall include:

Detailed instructions for the installation of the venting system design or the venting system components; and

A complete parts list for the venting system design or venting system.

MANUFACTURER REQUIREMENTS - GAS EQUIPMENT VENTING SYSTEM NOT PROVIDED

When the manufacturer of Product Approved side wall horizontally vented gas equipment does not provide the parts for venting the flue gases, but identifies “special venting systems”, the following requirements shall be satisfied by the manufacturer:

The referenced “special venting systems” instructions shall be included with the appliance or equipment installation instructions and;

The “special venting systems” shall be Product Approved by the Board, and the instructions for that system shall include a parts list and detailed installation instructions.

A copy of all installation instructions for all Product Approved side wall horizontally vented gas fueled equipment, all venting instructions, all parts lists for venting instructions, and/or all venting design instructions shall remain with the appliance or equipment at the completion of the installation.

SPECIFICATIONS

FIREPLACE DIMENSIONS

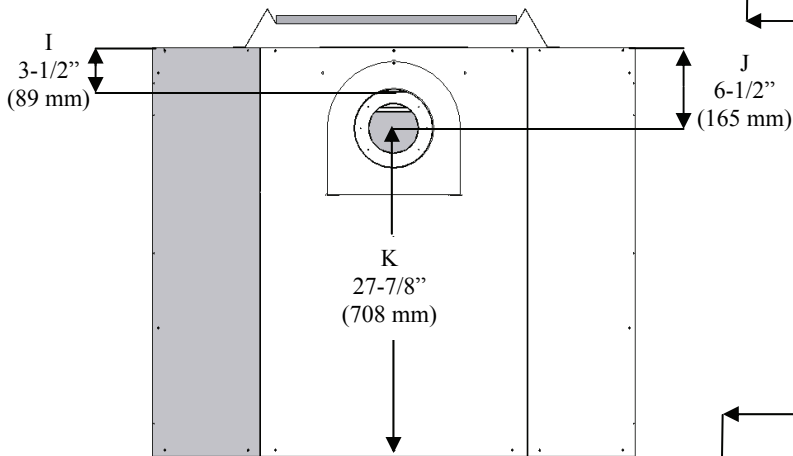
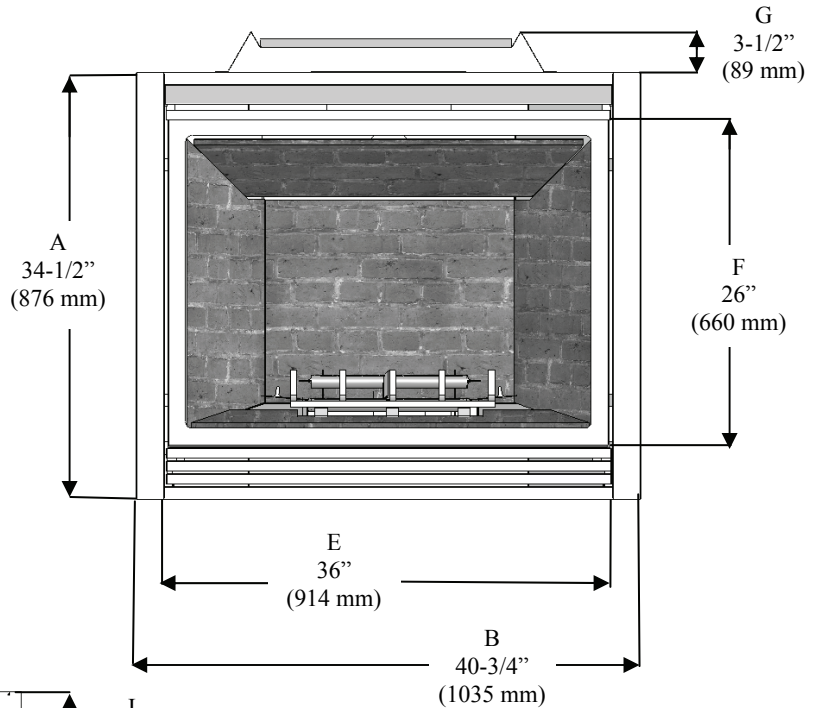
FIREPLACE DIMENSIONS	LETTER KEY	A	B	C	D	E	F	G	H	I	J	K
	DESCRIPTION	Height	Width	Back Width	Depth	Opening Width	Glass Frame Height	Stand-off Height	Top to Upper Vent Center	Unit Top to Back Vent Top	Rear Vent Center to Top	Floor to Rear Vent Center
	INCHES	34-1/2	40-3/4	22-1/2	15-3/4	36	26	3-1/2	6-3/4	3-1/2	6-1/2	27-7/8
	MILLIMETERS	876	1035	572	400	914	660	89	171	89	165	708



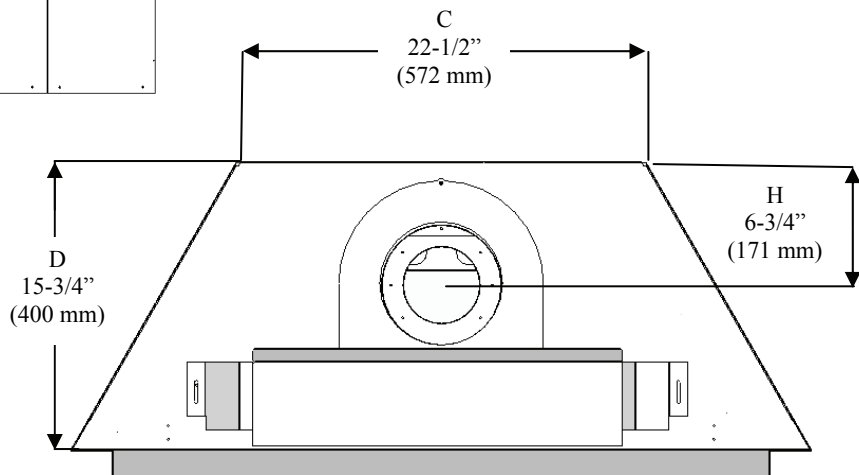
WARNING:
NON-COMBUSTIBLE ZONE:
STAND-OFFS PROVIDE THE 3-1/2" (89 mm) MINIMUM CLEARANCE TO HEADER. USE ONLY NON-COMBUSTIBLE MATERIAL IN THIS AREA FOR THE ENTIRE WIDTH OF FIREPLACE. **DO NOT** USE WOOD, SHEET-ROCK ETC. IN THIS ZONE.



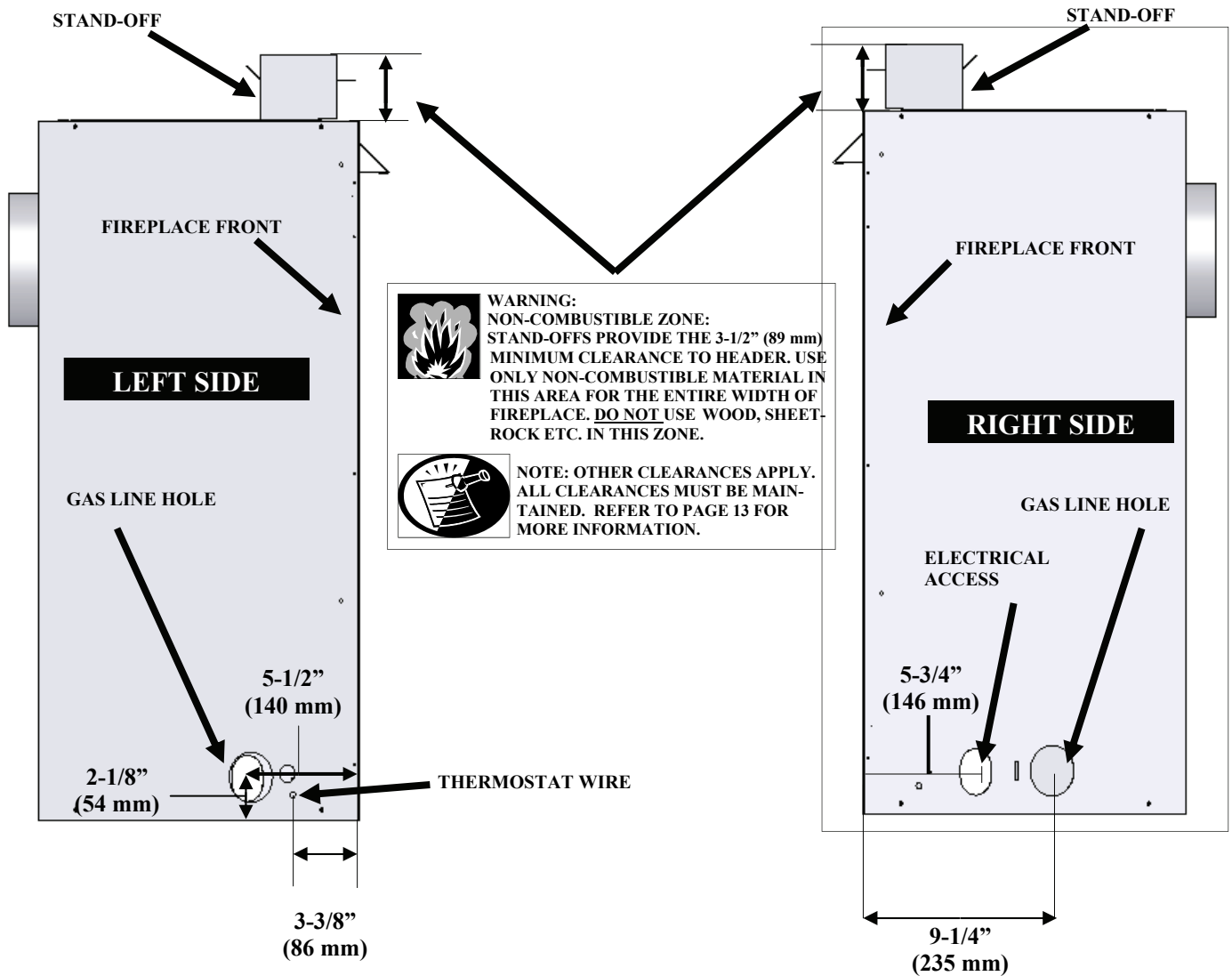
NOTE: OTHER CLEARANCES APPLY. ALL CLEARANCES MUST BE MAINTAINED. REFER TO PAGE 13 FOR MORE INFORMATION.



CAUTION: STAND-OFF BRACKETS ARE NOT LOAD BEARING.



SPECIFICATIONS



CLEARANCES

- Top of unit face to framing - $3\text{-}1/2''$ (89 mm)
- From unit left & right sides & back - $1/2''$ (13 mm)
- To flooring - $0''$ (0 mm)
- Unit top to ceiling - $31''$ (787 mm)
- Unit side to adjacent sidewall - $0''$ (0 mm)
- Unit front to combustibles - $36''$ (914 mm)
- Top of unit to $3/4''$ (19 mm) trim - $6''$ (152 mm)
- Mantel must be a minimum of $8''$ (203 mm) above top of unit. The maximum mantel depth at this height is $8''$ (203 mm) deep. See additional mantel clearance configurations on page 13 of this installation manual.



WARNING: TOP STAND-OFF BRACKET MUST BE ATTACHED TO FIREPLACE. DO NOT REMOVE.



CAUTION: STAND-OFF BRACKETS ARE NOT LOAD BEARING.

SPECIFICATIONS

MODEL #56701 COMPONENTS LIST

- (#TRF-770) - Millivolt Board Assembly with 18" Flexible Gas Line attached
- (#700-203) - Manual Gas Shut-off Valve
- (#TRF-030A) - Burner Cover
- (#TRF-035) - Burner Tube
- (#TRF-500A) - Log Package
- (#TRF-057T) - Glass Frame Assembly
- (#OCK-S53A) - LP Conversion Kit
- (#600-083) - Receptacle / Speed Control Assembly with (3) Wire Nuts
- (#900085) - 4" Restrictor Plate
- (#500-TRF) - Grill Assembly: Upper Hood, Upper Louver, Lower Grill, Combustible Material Stand-off

MODEL #56701-RF COMPONENTS LIST

- (#TRF-800-RF) - Millivolt Board Assembly with 18" Flexible Gas Line attached
- (#700-203) - Manual Gas Shut-off Valve
- (#TRF-030A) - Burner Cover
- (#TRF-035) - Burner Tube
- (#TRF-G900) - Refractory Set
- (#TRF-500A) - Log Package
- (#PRC-028-RF - RF Fan Kit
- (#TRF-057T) - Glass Frame Assembly
- (#OCK-H625L-RF) - LP Conversion Kit
- (#700-108) - Remote control
- (#900085) - 4" Restrictor Plate
- (#500-TRF) - Grill Assembly: Upper Hood, Upper Louver, Lower Grill, Combustible Material Stand-off

INSTALLATION OVERVIEW

1. Frame an opening for the fireplace, allowing for vent installation (top or rear) and type of installation (corner or flat wall application).
2. If masonry (optional) will be used, prepare foundation for the masonry load. A lintel is required to support the added weight above the fireplace.
3. Attach nailing flanges to fireplace.
4. Insert fireplace into framing.
5. Install the hearth (if applicable).
6. Complete the gas line installation.
7. Complete the electrical hook-up. Install any standard or optional electrical components at this time.
8. Complete the venting installation.
9. Secure fireplace to flooring through holes located in the outer box bottom and to framing with nailing flanges. Verify all clearances at this point.
10. Install facing material, mantel or cabinetry, allowing room for optional full face doors, if applicable.
11. Install logs.
12. Install grills and optional decorative doors / faces.
13. Verify proper operation of fireplace and all components.



NOTE: The qualified installer should follow the procedure best suited for the installation.

PLACEMENT CLEARANCE REQUIREMENTS

- This fireplace must be installed on a level surface capable of supporting the fireplace and venting.
- Fireplace must be placed directly on wood or non-combustible surface (not linoleum or carpet) extending the entire depth and width of fireplace.
- Due to high surface temperatures, fireplace should be located out of traffic and away from furniture and draperies.
- This fireplace may be installed in a bedroom.
- Please be aware of the large amount of heat this fireplace will produce when determining a location.

PREPARE THE FIREPLACE

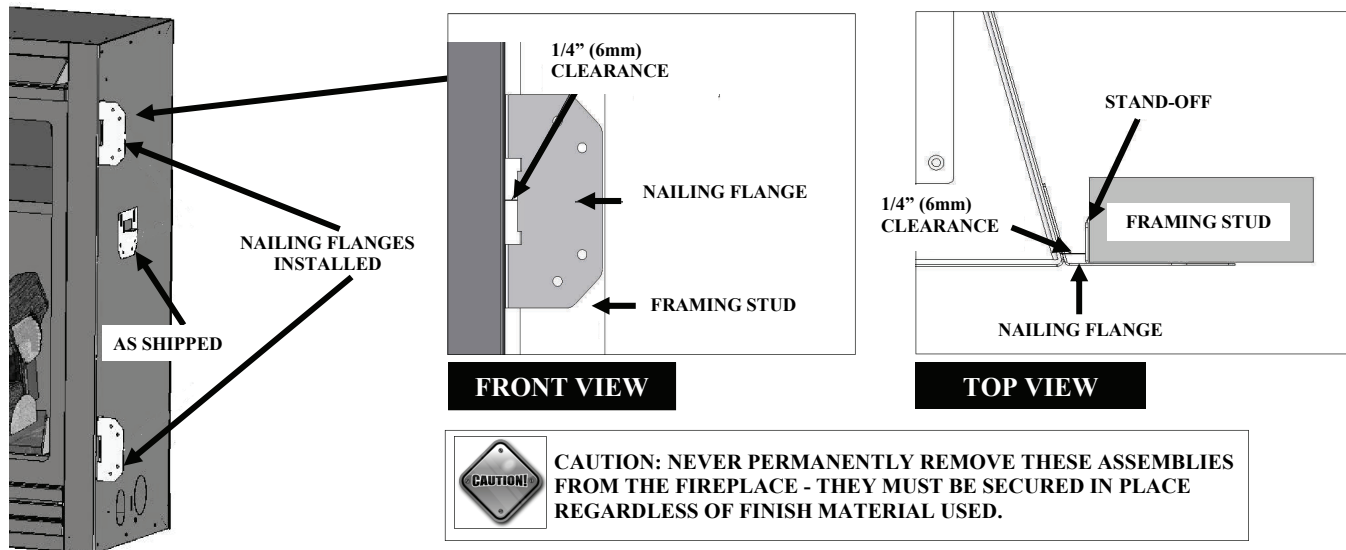
NAILING FLANGE ASSEMBLY & INSTALLATION

When installed, nailing flanges provide the minimum 1/4" (6 mm) clearance from fireplace sides.

1. Remove the (4) nailing flanges from fireplace sides.
2. With the 1/4" (6 mm) stand-offs on the nailing flanges facing away from fireplace, align nailing flange with the holes on the outside corners of fireplace. Secure with screws (provided in installation manual parts packet) through the slots in the nailing flanges.
3. Bend perforation on nailing flange until parallel with fireplace face. Do not bend toward fireplace face.
4. Position framing stud against the 1/4" (6 mm) stand-off located on the backside of the nailing flange and secure with nails or screws.



NOTE: Depending on facing material, nailing flanges can be adjusted forward or back up to 1/2" (13 mm).



COMBUSTIBLE MATERIAL STAND-OFF INSTALLATION



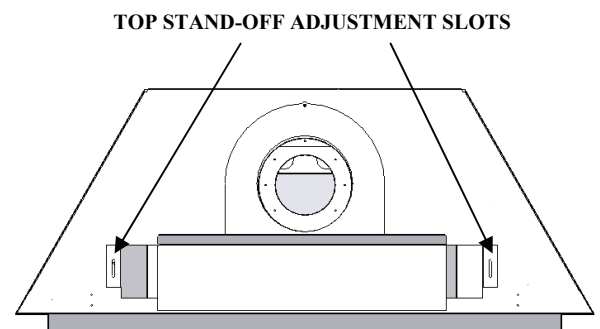
IMPORTANT: This fireplace has a 3-1/2" (89 mm) clearance requirement above top of fireplace. A combustible material stand-off has been included with the grill components package. Use this stand-off if facing material is not desired in this non-combustible zone. We recommend using rock board as a backer if marble or will be used in this area.

To Install Combustible Material Stand-Off (included in grill components package): Align slots in combustible material stand-off with corresponding holes in fireplace top. Secure with (3) sheet metal screws provided in fireplace components packet.

TOP STAND-OFF ADJUSTMENT

The top stand-off is adjustable to accommodate finish material thickness (non-combustible material only).

TO ADJUST: Loosen screws at fireplace top, slide top stand-off to desired position, retighten screws.



FRAMING

WALL ENCLOSURE ROUGH OPENING



IMPORTANT: Framing dimensions should allow for wall covering thickness and fireplace facing materials. If using a hearth, adjust rough opening size as necessary to maintain at least the minimum clearance requirements.

IMPORTANT: NON-COMBUSTIBLE FACING MATERIAL MAY BE APPLIED OVER (BUT NOT DIRECTLY TO) FIREPLACE FACE. THIS WILL PREVENT THE FACING MATERIAL FROM FALLING OFF DUE TO EXPANSION OF THE FACE WHEN HEATED. DO NOT OBSTRUCT THE FLOW OF VENTILATION AIR.

MINIMUM FINISHED OPENING DIMENSIONS

(APPLIES TO BOTH HORIZONTAL AND VERTICAL VENTING TERMINATIONS)

38-1/4" (972 mm) High x 41-1/4" (1084 mm) Wide x 16-1/4" (413 mm) Deep.

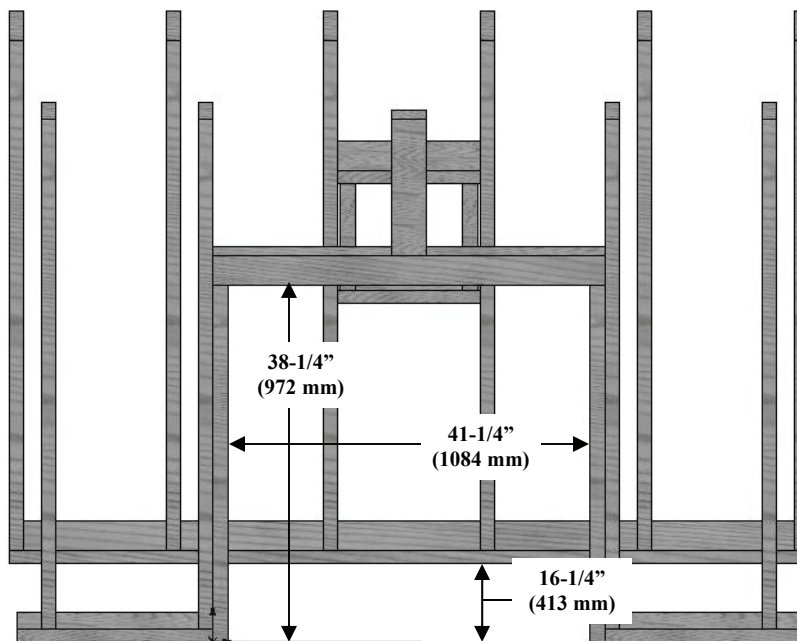
1/2" (13 mm) clearance at back and sides of fireplace must be maintained.



NOTE: Provide adequate clearance in front of fireplace to operate lower grill, open and close optional decorative doors / full door faces, access the control valve, installation of gas line, fan, etc.



WARNING: DO NOT OBSTRUCT UPPER AND LOWER GRILL OPENINGS. ROOM AIR ENTERS THROUGH THE LOWER PASSAGE, IS HEATED AND EXITS THROUGH THE UPPER PASSAGE. BLOCKING THESE PASSAGES MAY RESULT IN OVERHEATING, CREATING A POTENTIALLY HAZARDOUS SITUATION.



FRAMING

Determine the exact position of your fireplace, including hearth height, width, and depth, (if applicable). If possible, place fireplace in such a manner that the vent termination will be placed between two studs, eliminating the need for additional framing.

If masonry is to be used (optional), prepare the necessary foundation for the masonry load. When masonry construction is being used, a lintel must be used over the top of fireplace to support the added weight.

Build hearth to desired size and height. If a hearth extension is desired, combustible material may be used.



NOTE: Consider height of hearth finish material (stone, brick, etc.) when building fireplace platform. The bottom of the fireplace must be level with finished hearth to allow for lower grill operation and proper fit of optional decorative full door faces.



WARNING: Install fireplace on hard metal or wood surface extending the full width and depth of fireplace. Minimum platform size: 40-3/4" (1035 mm) wide x 15-3/4" (400mm) deep.



FIRE HAZARD: Do NOT install directly on carpeting, vinyl, or any combustible material other than wood.



IMPORTANT: Vent cap location must be in compliance with the guidelines on page #31 of this manual.

VERTICAL TERMINATIONS

Follow vent pipe manufacturer's installation instructions for vertical terminations. A minimum 1" (25 mm) clearance on all sides of vertical vent pipe must be maintained.

HORIZONTAL TERMINATIONS

Follow vent pipe manufacturer's installation instructions for horizontal terminations. Include the required 1-1/2" (38 mm) top clearance and 1" (25 mm) sides and bottom clearances for approved rigid vent systems and the Kozy Heat #700 series flexible vent system.

MINIMUM HORIZONTAL FRAMING DIMENSIONS (REAR VENT APPLICATIONS)

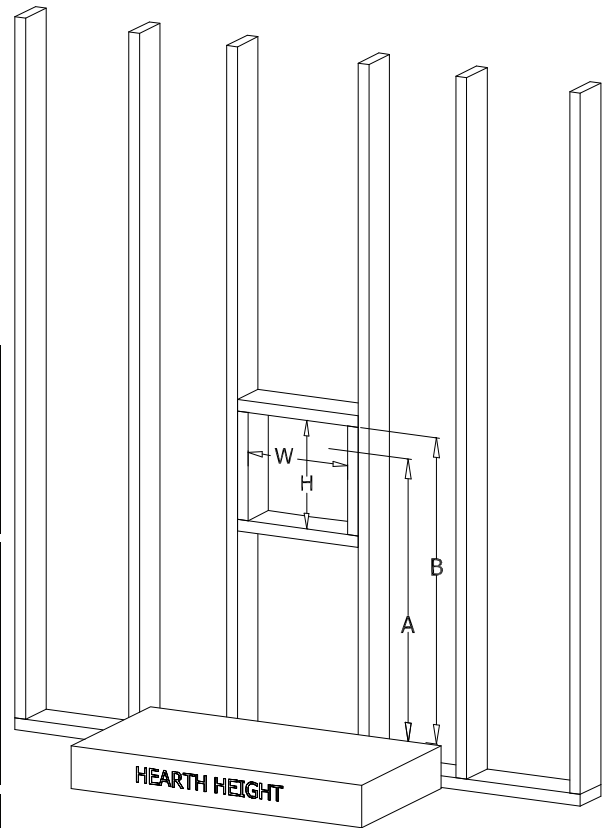
	VENT PIPE TOP (A)	FRAMED OPENING TOP (B)
RIGID PIPE	31" (787 mm)	32-1/2" (826 mm)

MINIMUM HORIZONTAL FRAMING DIMENSIONS (TOP VENT APPLICATIONS)

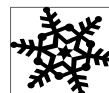
	VENT PIPE TOP (A)	FRAMED OPENING TOP (B)
RIGID PIPE	44-1/8" (1121 mm)	45-5/8" (1159 mm)
FLEX PIPE	52-1/2" (1333 mm)	53-1/2" (1359 mm)

MINIMUM HORIZONTAL FRAMING DIMENSIONS (CORNER INSTALLATIONS)

	VENT PIPE TOP (A)	FRAMED OPENING TOP (B)
RIGID PIPE	44-1/8" (1121 mm)	45-5/8" (1159 mm)



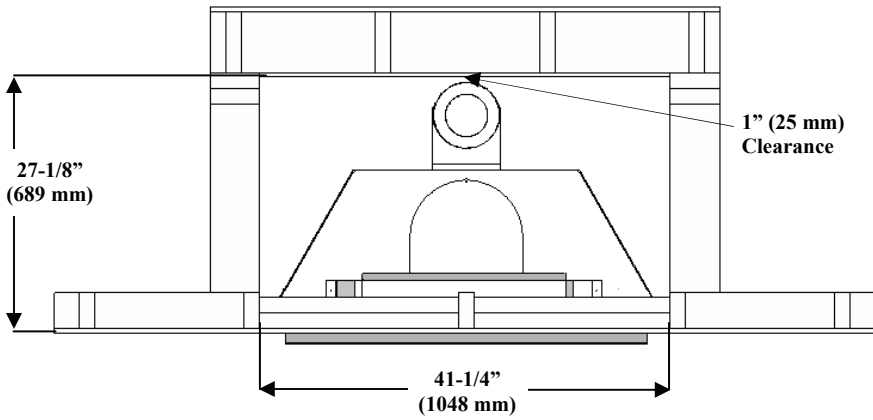
CAUTION: Due to high temperatures, this fireplace should be located out of traffic areas and away from furniture and draperies.



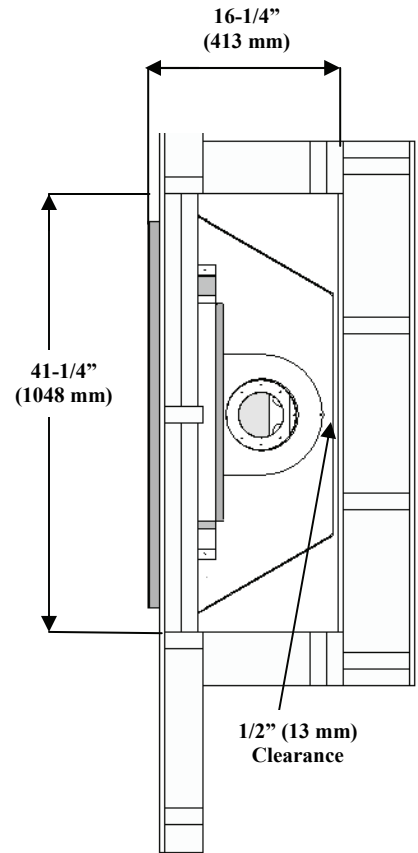
CAUTION: Cold air transfer area. The surrounding fireplace chase must comply with all clearances as outlined in this manual and be constructed in compliance with local building codes. Outside walls should be insulated to prevent cold air from entering room.

TYPICAL INSTALLATION OPTIONS

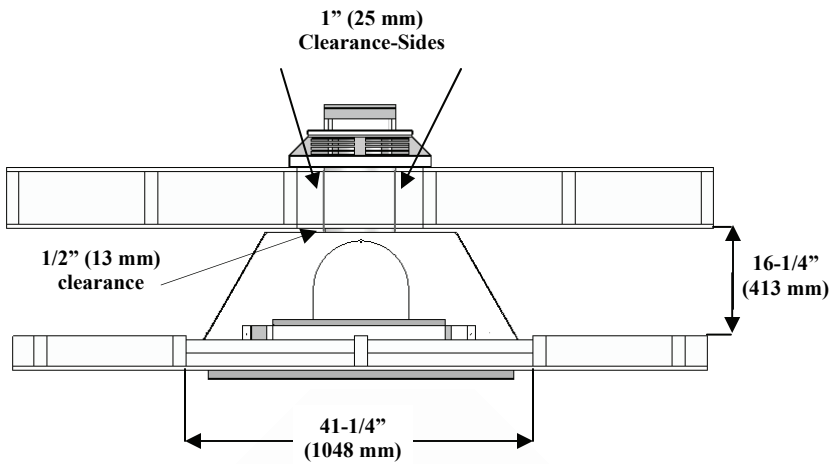
REAR VENT VERTICAL



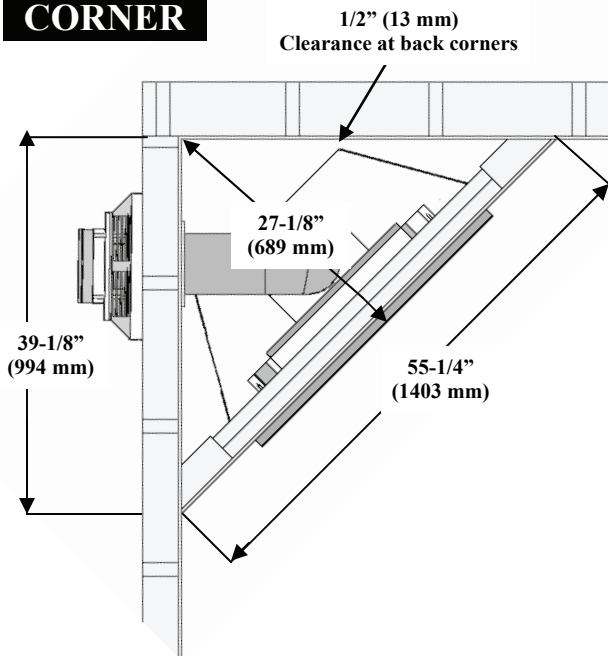
TOP VENT



REAR VENT HORIZONTAL



CORNER



IMPORTANT: $1/2''$ (13 mm) wall materials included in dimensions where applicable. Modify the minimum opening if necessary to accommodate finish material thickness.

MANTEL REQUIREMENTS



WARNING: TOP STAND-OFF BRACKET MUST BE ATTACHED TO FIREPLACE. DO NOT REMOVE.

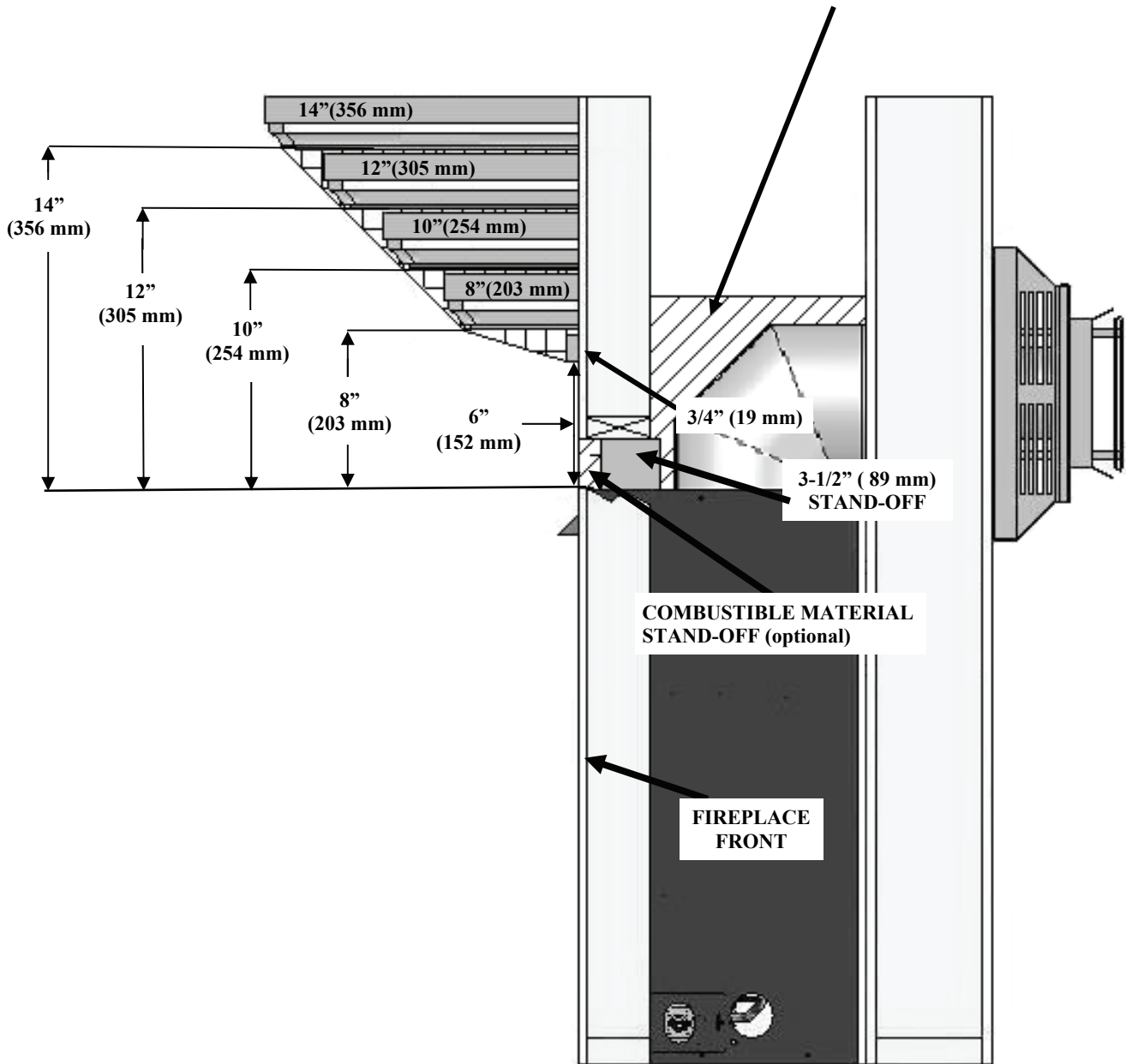


CAUTION: STAND-OFF BRACKET IS NOT LOAD BEARING.

NON-COMBUSTIBLE ZONE:

Rigid pipe: 1-1/2" (38 mm) above elbow for entire width and depth (behind header) of fireplace.

#700 series flexible venting: 1" (25 mm) above elbow for entire width and depth (behind header) of fireplace.



GLASS FRAME ASSEMBLY

REMOVE GLASS FRAME ASSEMBLY



CAUTION: TO PREVENT THE GLASS FRAME ASSEMBLY FROM FALLING FROM THE FIREPLACE AND BECOMING DAMAGED, FOLLOW THESE INSTRUCTIONS EXACTLY WHEN REMOVING GLASS FRAME ASSEMBLY.

- A. Locate the spring-loaded handles securing glass frame assembly at the top & bottom of fireplace.
- B. Pull bottom handles out and 'down' to release glass frame assembly bottom.
- C. Pull top handles out and 'up' to release glass frame assembly top.
- D. Remove glass frame assembly from fireplace.

INSTALL GLASS FRAME ASSEMBLY



CAUTION: TO PREVENT GLASS FRAME ASSEMBLY FROM FALLING OFF WHEN INSTALLING, SECURE TOP GLASS LATCH BRACKETS BEFORE SECURING BOTTOM BRACKETS.

- A. Place glass frame assembly onto fireplace front.
- B. Pull top handles out and 'down' to secure glass frame assembly top.
- C. Pull bottom handles out and 'up' to secure glass frame assembly bottom.



WARNING: DO NOT OPERATE THIS FIREPLACE WITH THE GLASS REMOVED, CRACKED OR BROKEN. REPLACEMENT OF GLASS FRAME ASSEMBLY, #TRF-057T SHOULD BE DONE BY A LICENSED OR QUALIFIED SERVICE PERSON.

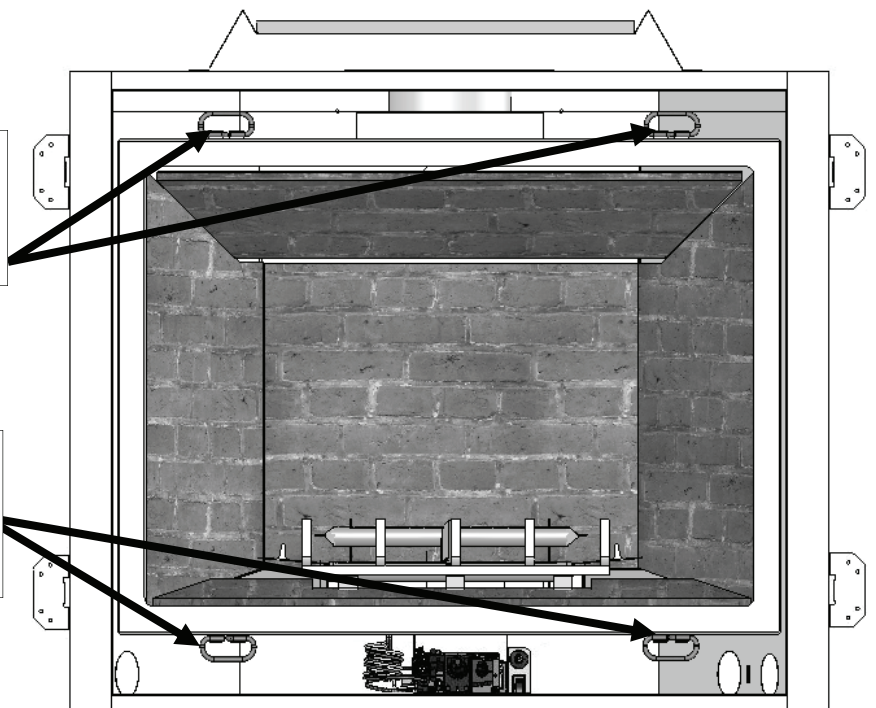
WARNING: DO NOT REMOVE GLASS ASSEMBLY WHEN HOT!

Pull latches 'out' and 'up' to release glass frame assembly top.

Pull latches 'out' and 'down' to attach glass frame assembly top.

Pull latches 'out' and 'down' to release glass frame assembly bottom.

Pull latches 'out' and 'up' to attach glass frame assembly bottom.



OPTIONAL FAN INSTALLATION (56701)

INSTALLATION OF THIS FAN SHOULD BE DONE ONLY BY A QUALIFIED INSTALLER



WARNING: MAKE SURE HOUSEHOLD BREAKER IS SHUT OFF PRIOR TO WORKING ON ANY ELECTRICAL LINES.



IMPORTANT: If installing a fan, it is easier to complete before the millivolt board is connected to the gas line. Wiring must be done before enclosing fireplace sides. An electrical box and romex connector are pre-installed on a removable panel on the right side of fireplace. A receptacle / speed control assembly and (3) wire nuts are included in the fireplace components packet.

The optional fan kit #TMT-028 includes:

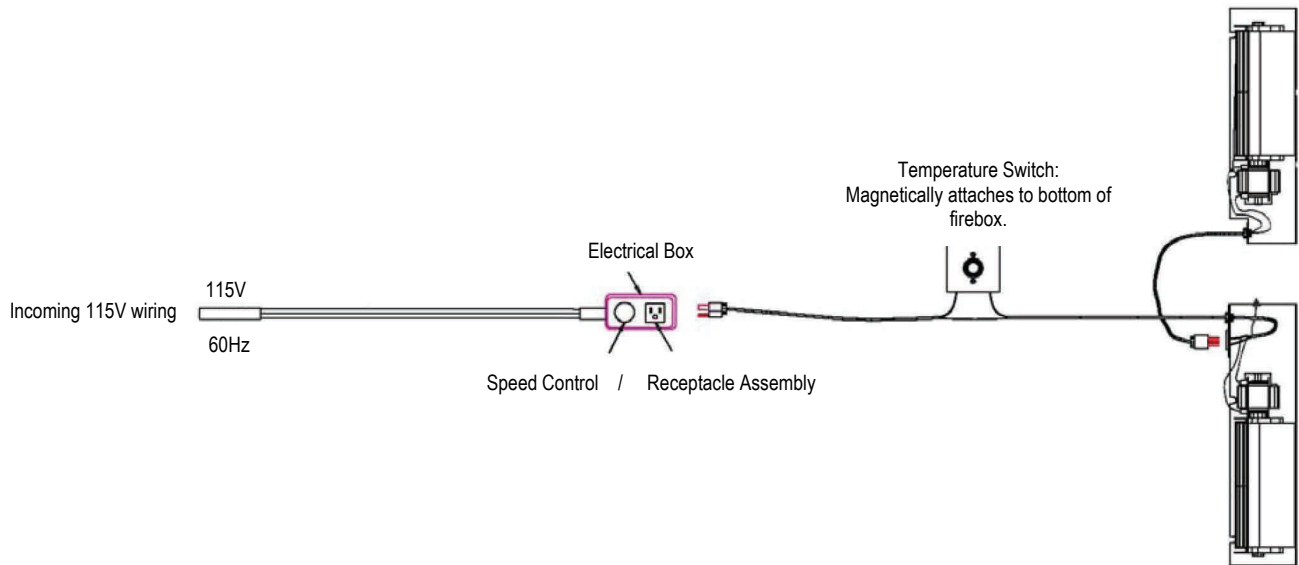
- (2) 75 CFM fan with temperature control switch and 4 ft. (1219 mm) fan cord
- (4) 1/4" nuts



NOTE: Code approved line voltage wiring 14 gauge or better must be used when wiring this assembly. Refer local electrical codes for specific requirements.



WARNING: THIS APPLIANCE IS EQUIPPED WITH A THREE-PRONG (GROUNDING) PLUG FOR PROTECTION AGAINST SHOCK HAZARD AND SHOULD BE PLUGGED DIRECTLY INTO A PROPERLY GROUNDED THREE-PRONG RECEPTACLE. DO NOT CUT OR REMOVE THE GROUNDING PRONG FROM THIS PLUG.

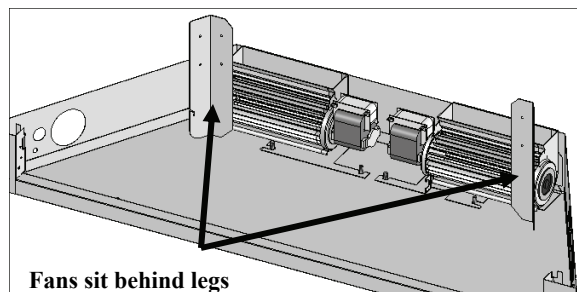
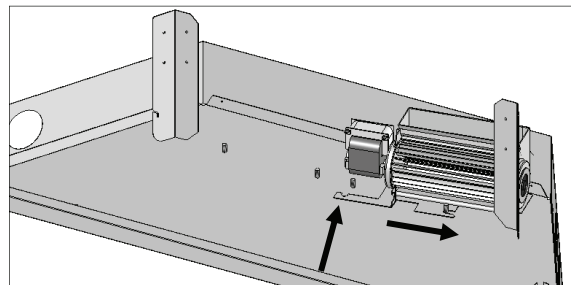


The following components must be removed from the fireplace prior to installation of this fan. Refer to the corresponding pages in this installation manual for assistance if necessary.

- A. Upper hood, upper louver & lower grill, if installed. Page 37.
- B. Glass assembly. Page 14.

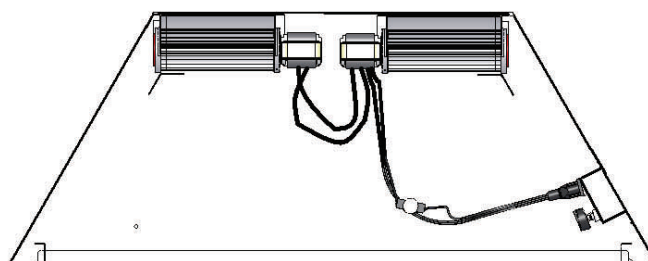
OPTIONAL FAN INSTALLATION (56701 only)

1. Insert fans through the lower grill opening, push to the back, positioning behind legs. Align mounting slots in fan brackets onto the mounting studs. Secure with nuts.
2. Connect fan wiring by attaching connectors on right fan onto terminals on left fan.
3. From inside the lower right grill opening, loosen screw securing removable access panel (with electrical box & romex connector installed). Remove panel.
4. Insert 115V wiring (with ground) through romex connector and wire to the speed control / receptacle assembly, matching the black (hot), white (neutral), and green (ground) wires to the corresponding wires on the speed control / receptacle assembly.
5. Secure speed control / receptacle assembly to the electrical box with (2) screws provided.

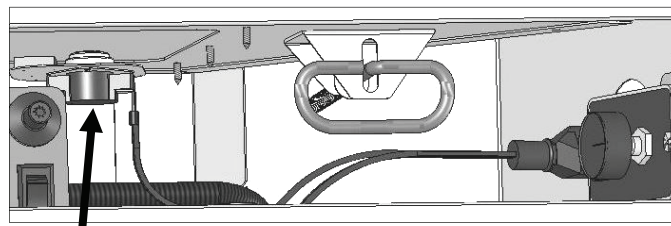


NOTE: Speed control / receptacle assembly & (3) wire nuts are included in the fireplace components packet.

6. Re-install electrical access panel. Tighten screw.
7. Attach the temperature control switch to the bottom of firebox.
8. Plug cord into the electrical box receptacle.
9. Turn speed control counter-clockwise until it 'clicks'. This is the 'OFF' position.
10. Turn speed control 'ON' by turning knob clockwise past the 'click' - this is the highest setting.
11. Re-install glass assembly.
12. Re-install lower grill, upper louver & upper hood. Refer to page 37 of this installation manual if necessary.



Connect fan wiring



Temperature Control Switch (Looking through lower grill opening).



NOTE: This appliance must be electrically grounded and connected in accordance with local codes, or in the absence of local codes, with the National Electrical Code, ANSI/NFPA 70 Current Edition, or the Canadian electrical Code CSA C22.1.

NOTE: This fan will not operate unless the speed control has been turned 'ON' and sufficient heat has been applied to the temperature control switch. The fan will turn 'ON' and 'OFF' automatically as the fireplace heats and cools. Adjust fan to desired speed while it is running.

TEMPERATURE CONTROL SWITCH POSITION

Before adjusting the temperature control switch, unplug the 3-prong plug on the fan cord from the receptacle. Adjust position of the temperature control switch to a warmer location under the firebox to turn fan 'ON' sooner or move it to a cooler location under firebox to turn the fan 'ON' later. The fan will turn on when the sensor in the temperature control switch reaches 110° F and will turn 'OFF' when the sensor reaches 90° F. After adjustment, plug the 3-prong plug on fan cord into the receptacle.


GAS LINE CONNECTION

GAS CONVERSION


This fireplace is manufactured for use with Natural Gas. An LP conversion kit, is included with this fireplace. Follow instructions included with the conversion kit if converting to LP gas.

Model 56701; #OCK-H38N


Model 56701-RF; #OCK-H625L-RF



ATTENTION: The conversion shall be carried out in accordance with the requirements of the provincial authorities having jurisdiction and in accordance with the requirements of the ANSI Z223.1 installation code.




CAUTION: Installation of the gas line must only be done by a qualified person in accordance with local building codes, if any. If not, follow ANSI 223.1.




NOTE: This fireplace is equipped with a 3/8" (10 mm) x 18" (457 mm) long flexible gas connector and manual shut-off valve. The gas line should be run to the point of connection where the shut-off valve and flexible gas line will connect.

Commonwealth of Massachusetts:
Installation must be done by a licensed plumber or gas fitter.



NOTE: A listed (and Commonwealth of Massachusetts approved) 12" (13 mm) T-handle manual shut-off valve and flexible gas connector (included) are connected to the 1/2" (13 mm) control valve inlet.


	56701		56701-RF	
	NATURAL GAS	LP GAS	NATURAL GAS	LP GAS
MINIMUM INLET GAS PRESSURE	5.0 inches W.C. (7.0 W.C. recommended)	11.0 inches W.C. (recommended)	5.0 inches W.C. (7.0 W.C. recommended)	11.0 inches W.C. (recommended)
MAXIMUM INLET GAS PRESSURE	10.5 inches W.C.	13.0 inches W.C.	10.5 inches W.C.	13.0 inches W.C.
MANIFOLD PRESSURE (HI)	3.5 inches W.C	10.0 inches W.C.	3.5 inches W.C	10.0 inches W.C.
MANIFOLD PRESSURE (LO)	1.7 inches W.C.	6.3 inches W.C	1.7 inches W.C.	6.3 inches W.C
ORIFICE SIZE	#38	#.0625	#38	#.0625
INPUT BTU/hr.	28,000	28,000	28,000	28,000
MINIMUM INPUT BTU/hr.	20,000	21,000	20,000	21,000
EFFICIENCY	71.90%	74%	71.90%	74%
AFUE	70.73	73.29%	70.73	73.29%
P-4 AFE	66.89	67.64	66.89	67.64



NOTE: The appliance and its individual shutoff valve must be disconnected from the gas supply piping system during any pressure testing of that system at pressures in excess of 1/2 psi.


NOTE: The appliance must be isolated from the gas supply piping system by closing its individual manual shut-off valve during any pressure testing of the gas line at test pressures equal to or less than 1/2 psi (3.5 kPa).

NOTE: For high altitude installations, consult the local gas distributor or the authority having jurisdiction for proper rating methods.



IMPORTANT: The efficiency rating of this appliance is a product of thermal efficiency rating determined under continuous operating conditions and was determined independently of any installed system.

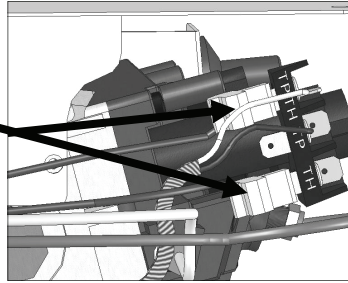
THERMOSTAT / WALL SWITCH / REMOTE (56701 only)

 **CAUTION: DO NOT CONNECT HIGH VOLTAGE (115V) WIRE TO THE GAS VALVE!**

 **NOTE: INSTALLATION OF THERMOSTAT OR WALL SWITCH SHOULD ONLY BE DONE BY A QUALIFIED INSTALLER.**

If desired, a thermostat (wireless style also available), wall switch, or remote control assembly may be used to turn the fireplace 'OFF' and 'ON'. Only ONE of these may be installed. Follow instructions included with each assembly.

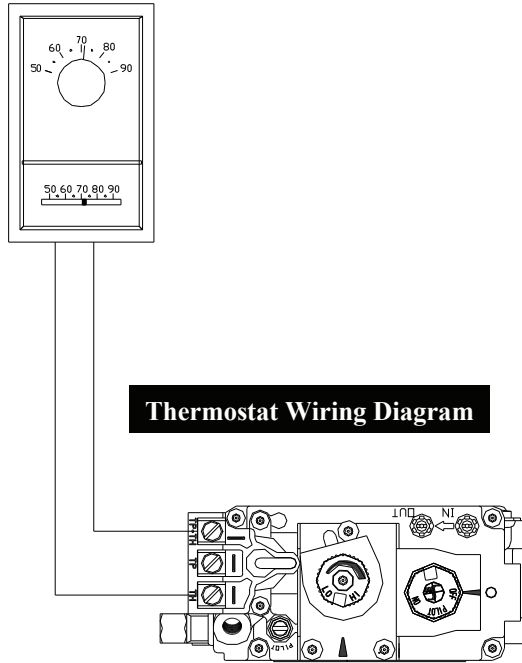
OPTIONAL:
Disconnect ON/OFF rocker switch wires from the back of gas valve.



WALL SWITCH / THERMOSTAT:


Run low-voltage (thermostat) wires from terminals on the gas valve to the desired location of wall switch or thermostat.


Attach the appropriate connectors to wall switch / thermostat wires and connect to the top and bottom terminals marked TH / TPTH on the gas valve.




REMOTE CONTROL:

Follow instructions included with the remote control.

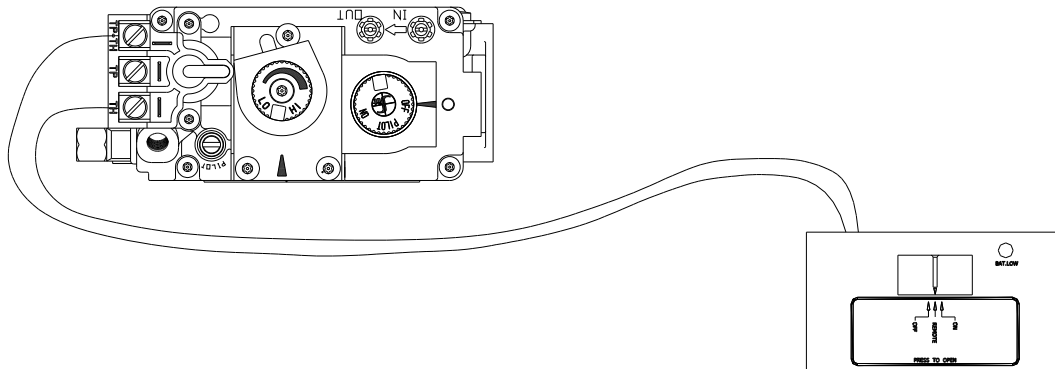
 **IMPORTANT: The insulated cover included with the remote control must be placed over the remote receiver to prevent overheating.**

 **IMPORTANT: If ON/OFF rocker switch wires are not disconnected, the ON/OFF rocker switch on the millivolt board must be in the 'OFF' position for proper operation of any of these components.**

If rocker switch is 'ON', the fireplace burner will operate until it is turned 'OFF' by the rocker switch. A wall switch, thermostat, or remote control will not turn the fireplace 'OFF' when it has been turned 'ON' by the rocker switch.

 **NOTE: The fireplace must be turned 'ON' and 'OFF' by the same method. For example: If fireplace is turned 'ON' by the remote control, it must be turned 'OFF' by the remote control.**

Remote Control Wiring Diagram

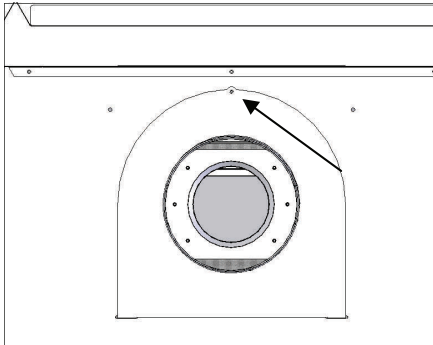


VENTING (Top vent conversion instructions)

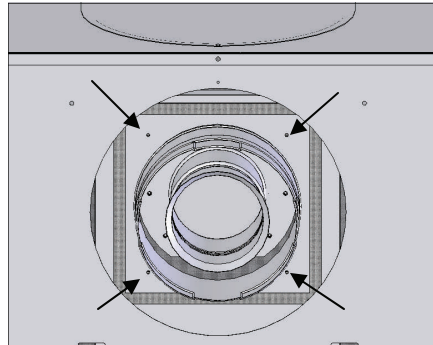
REMOVE BACK VENT COLLARS



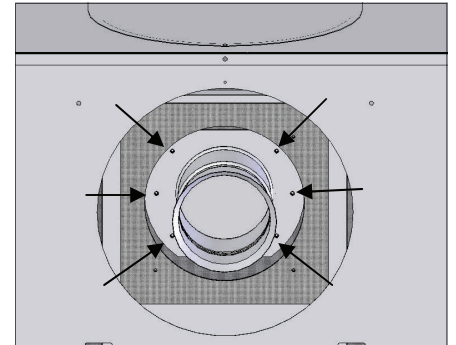
NOTE: All components removed from fireplace back vent will be re-installed for top venting.



1. Remove back cover attachment screw and cover.

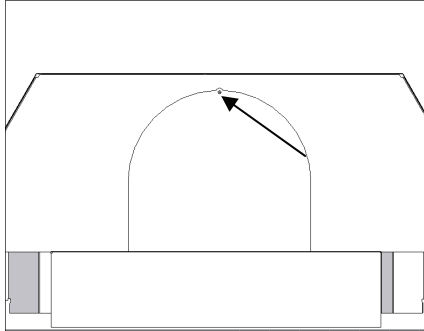


2. The 6-5/8 combustion air intake collar is attached with (4) screws. Remove screws and collar.

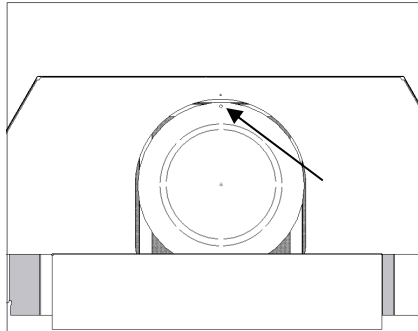


3. The 4" exhaust collar is attached with (6) screws. Remove screws and collars.

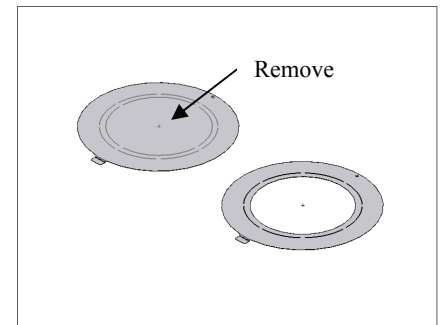
REMOVE TOP COMBUSTION AIR INTAKE & EXHAUST COLLARS



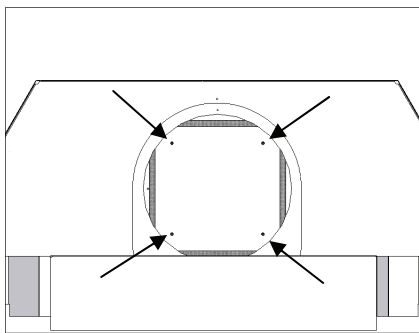
1. Remove top cover attachment screw and cover.



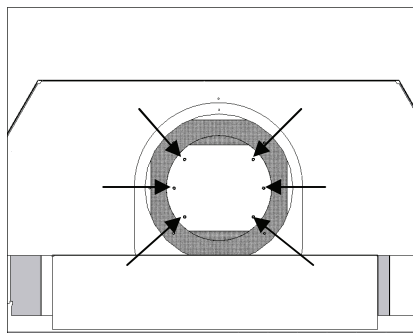
2. Remove heat shield cover attachment screw and heat shield cover (w/ knockout).



3. Using a tin snips, remove center knockout section.



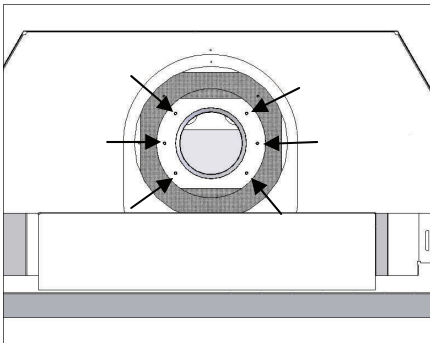
4. The 6-5/8" combustion air intake cover is attached with (4) screws. Remove screws and cover.



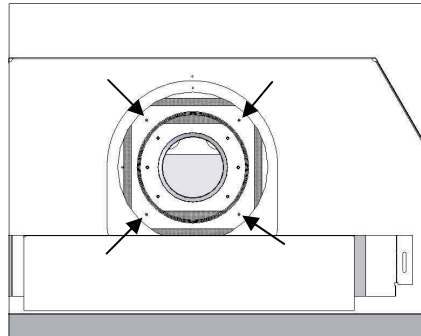
5. The exhaust cover is attached with (6) screws. Remove screws and cover.

VENTING (Top vent conversion instructions cont.)

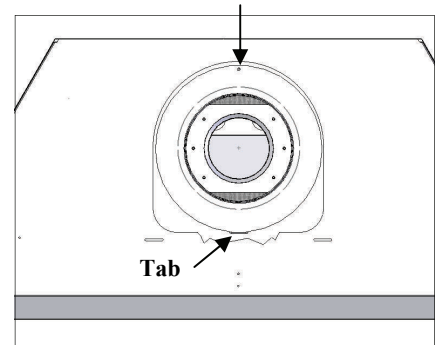
INSTALL EXHAUST & COMBUSTION AIR INTAKE COLLARS TO FIREPLACE TOP



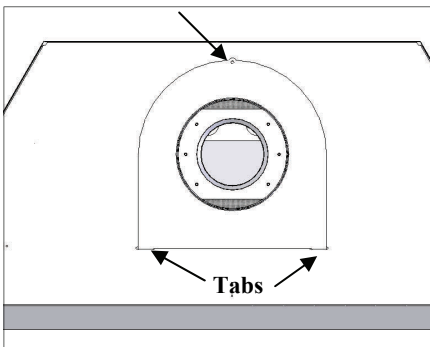
1. Install 4" exhaust collar to fireplace top. Secure with (6) screws previously removed.



2. Install 6-5/8" combustion air intake collar to fireplace top. Secure with (4) screws previously removed.



3. Insert tab on heat shield cover (center previously removed) into slot on fireplace top.

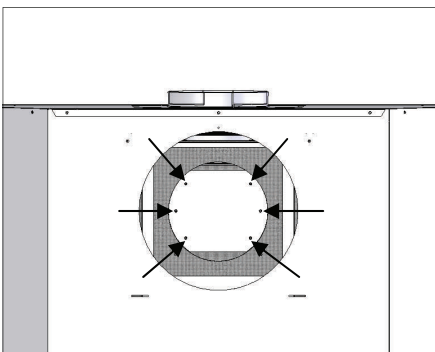


4. Insert tabs on top cover plate into slots at the top of fireplace. Secure with (1) previously removed screw.

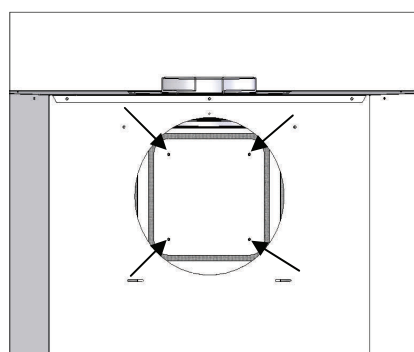
INSTALL COVER PLATES TO FIREPLACE BACK



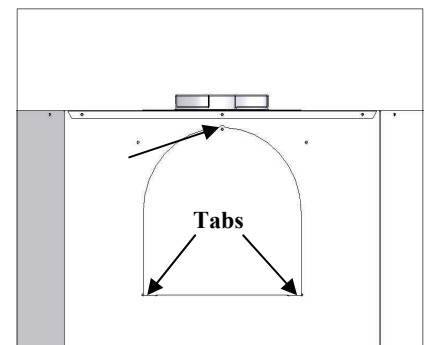
WARNING: Cover plates must be installed on back of fireplace. Do not proceed with fireplace installation until this procedure is completed. Follow instructions below.



1. Install 4" exhaust cover plate to fireplace back. Secure with (6) previously removed screws.



2. Install combustion air intake cover to fireplace back. Secure with (4) previously removed screws.



3. Insert tabs on outer cover into slots in fireplace back. Secure cover top with (1) previously removed screw.

VENTING



IMPORTANT: Consult the local and national installation codes to assure adequate combustion and ventilation air is available.

Refer to the vent systems manufacturer's installation manual for complete installation instructions. Installation must conform with the venting requirements and restrictions as outlined in this manual.

APPROVED VENTING

Simpson Dura-Vent DV-GS 4" x 6-5/8" direct vent system (horizontal and vertical terminations).

Ameri-Vent Direct Chimney System 4" x 6-5/8" (horizontal and vertical terminations).

Kozy Heat #700 series flexible vent system (horizontal terminations).

HORIZONTAL VENT SYSTEM CLEARANCES

	TOP	BOTTOM	SIDES
DURA-VENT	1-1/2 inches (38 mm)	1 inch (25 mm)	1 inch (25 mm)
AMERI-VENT	1-1/2 inches (38 mm)	1 inch (25 mm)	1 inch (25 mm)
KOZY HEAT #700 SERIES	1-1/2 inches (38 mm)	1 inch (25 mm)	1 inch (25 mm)

HORIZONTAL TERMINATIONS (top vent)

MINIMUM: 90° elbow + 6" (152 mm) horizontal + termination cap.

MAXIMUM: 90° elbow + 14 ft. (4.27 m) + termination cap.

HORIZONTAL TERMINATIONS (rear vent)

MINIMUM: 6" (152 mm) horizontal + termination cap.

MAXIMUM: 24" (610 mm) horizontal + termination cap.

RESTRICTOR

A restrictor is included in fireplace components packet.

Each installation is unique and affected by various factors including venting configuration, altitude and climate. Therefore, after fireplace installation is complete a restrictor may be required or may need to be removed or modified.

Please refer to page 26 for installation instructions if installing the restrictor in conjunction with the venting.

Page 51 has information on restrictor recommendations depending on burner flame appearance and instructions on installation after venting is completed.

ELBOWS

For each additional 90° elbow used after the first elbow, 3 ft. (914 mm) must be subtracted from the maximum allowed venting. For each 45° elbow used, 1-1/2 ft. (457 mm) must be subtracted from the maximum venting allowed.



NOTE: Flange on top stand-off must be bend upwards to a 90° angle when top venting.



NOTE: (2) 45° degree elbows may be used in place of (1) 90° elbow.



IMPORTANT: Flame height and appearance will vary depending upon venting configuration and type of fuel used. Venting requirements apply to both Natural and LP gas.

VENTING (Horizontal)

HORIZONTAL TERMINATIONS (top vent)

MINIMUM HORIZONTAL VENTING (top vent)



NOTE: Horizontal sections require 1/4" (6 mm) rise for every 12" (305 mm) of travel.



IMPORTANT: If top venting, follow instructions on pages 19-20 to convert fireplace from rear vent ready to top vent ready.



NOTE: Flange on top stand-off must be bend upwards to a 90° angle when top venting.

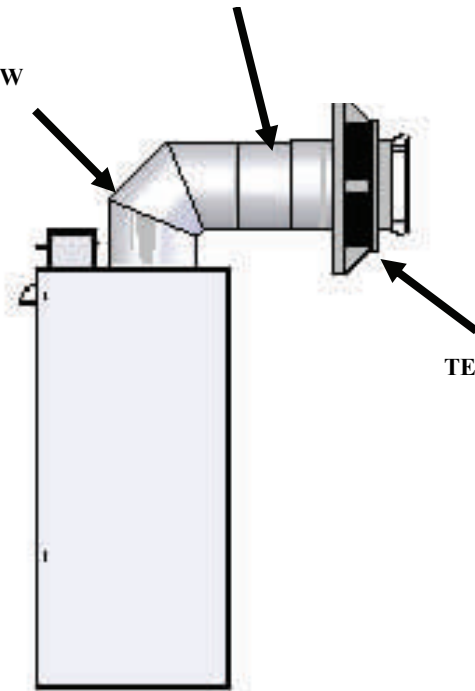


CAUTION: This gas appliance must not be connected to or joined with any other chimney flue serving another appliance.

90° ELBOW

6" (152 mm) VENT PIPE SECTION

TERMINATION CAP

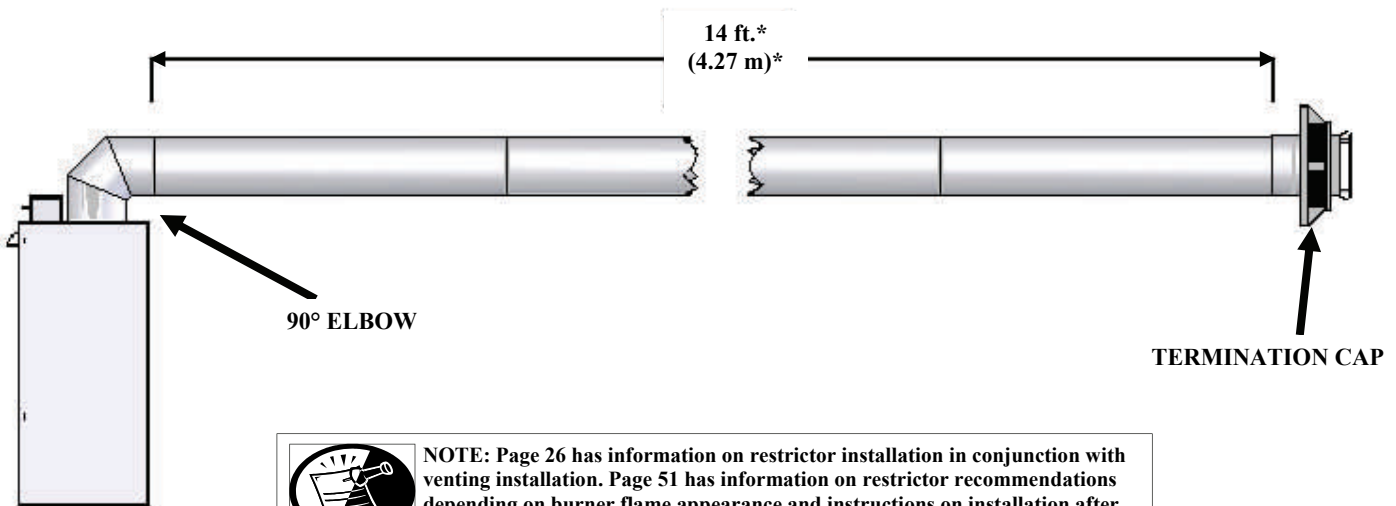


MAXIMUM HORIZONTAL VENTING (top venting)

14 ft.*
(4.27 m)*

90° ELBOW

TERMINATION CAP



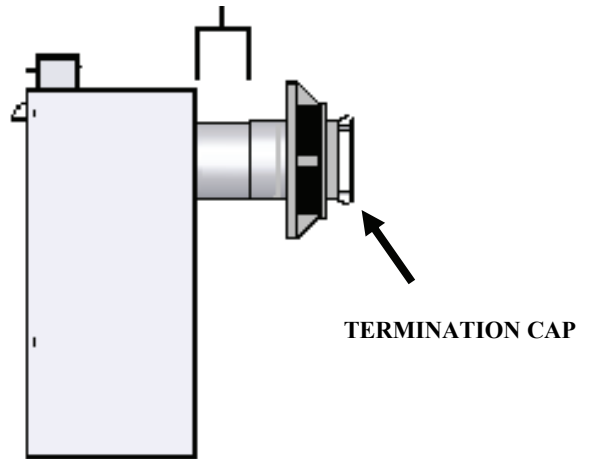
NOTE: Page 26 has information on restrictor installation in conjunction with venting installation. Page 51 has information on restrictor recommendations depending on burner flame appearance and instructions on installation after venting is completed.

VENTING (Horizontal)

HORIZONTAL TERMINATIONS (rear vent)

MINIMUM HORIZONTAL VENTING (rear vent)

6" (152 mm)



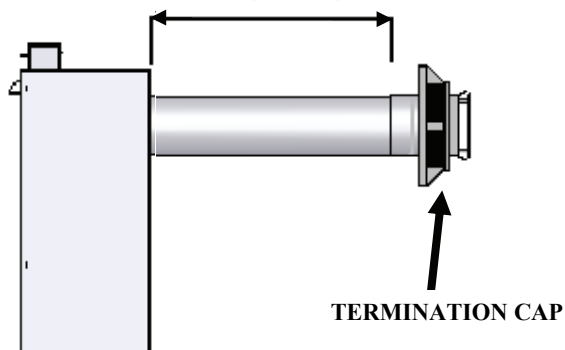
CAUTION: This gas appliance must not be connected to or joined with any other chimney flue serving another appliance.



NOTE: Horizontal sections require 1/4" (6 mm) rise for every 12" (305 mm) of travel.

MAXIMUM HORIZONTAL VENTING (rear venting)

24" (610 mm)



NOTE: Page 26 has information on restrictor installation in conjunction with venting installation. Page 51 has information on restrictor recommendations depending on burner flame appearance and instructions on installation after venting is completed.

VENTING

HORIZONTAL TERMINATIONS

TYPICAL CORNER INSTALLATION

90° elbow + horizontal pipe + termination cap.

VENTING DIMENSIONS FOR MINIMUM CORNER INSTALLATIONS

Vent Opening Dimensions: Refer to vent pipe manufacturer's instructions

From Floor or Hearth to Vent Opening Center: 40-7/8" (1038 mm)



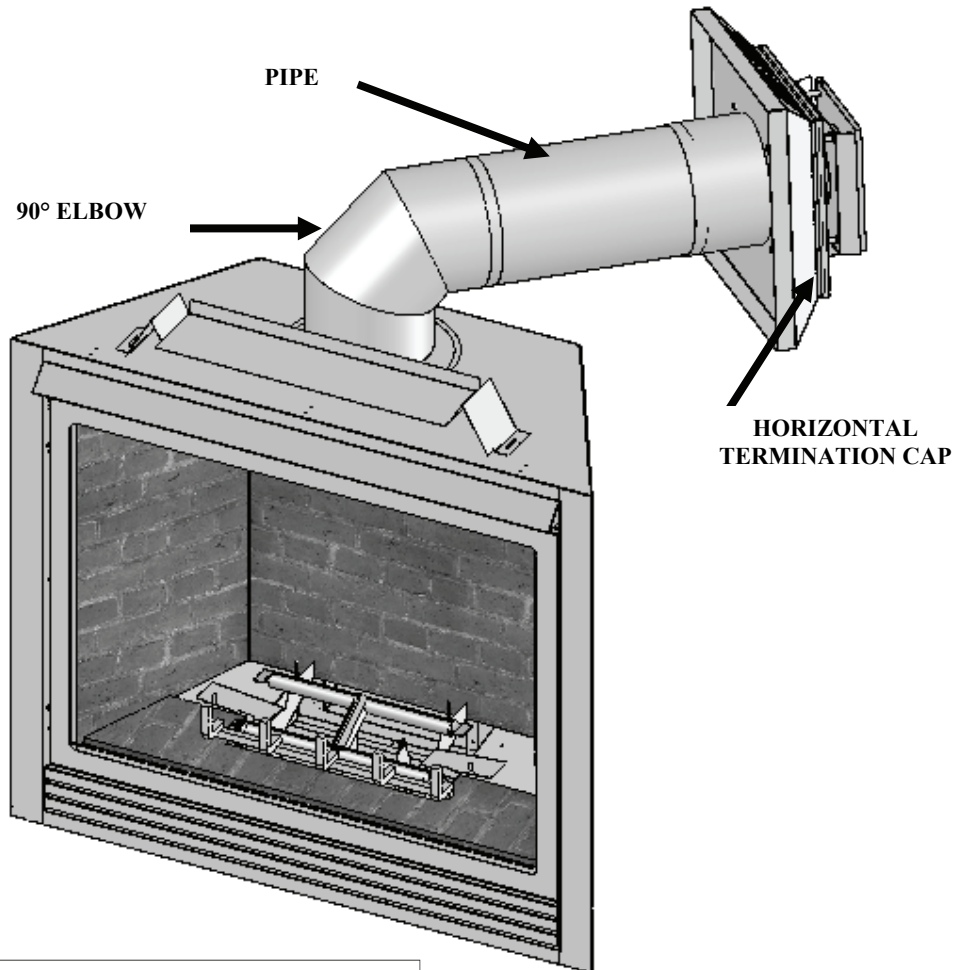
IMPORTANT: If top venting, follow instructions on pages 20-21 to convert fireplace from rear vent ready to top vent ready.



NOTE: Horizontal sections require 1/4" (6 mm) rise for every 12" (305 mm) of travel.



CAUTION: This gas appliance must not be connected to or joined with any other chimney flue serving another appliance.



NOTE: Page 26 has information on restrictor installation in conjunction with venting installation. Page 51 has information on restrictor recommendations depending on burner flame appearance and instructions on installation after venting is completed.

VENTING

VERTICAL VENT SYSTEM CLEARANCES

	TOP	BOTTOM	SIDES
DURA-VENT	1 inch (25 mm)	1 inch (25 mm)	1 inch (25 mm)
AMERI-VENT	1 inch (25 mm)	1 inch (25 mm)	1 inch (25 mm)
KOZY HEAT #700 SERIES	DO NOT USE FOR VERTICAL TERMINATIONS		

VERTICAL TERMINATIONS (top vent)

MAXIMUM: 33 ft. (10.06m) + cap.



NOTE: Flange on top stand-off must be bend upwards to a 90° angle when top venting.

VERTICAL TERMINATIONS (rear vent)

MINIMUM: 90° elbow + 14" (356mm) + cap.

MAXIMUM: 90° elbow + 22 ft. (6.71m) + cap.

RESTRICTOR

A restrictor is included in fireplace components packet.

Each installation is unique and affected by various factors including venting configuration, altitude and climate. Therefore, after fireplace installation is complete a restrictor may be required or may need to be removed or modified.

Please refer to page 26 for installation instructions if installing the restrictor in conjunction with the venting.

Page 51 has information on restrictor recommendations depending on burner flame appearance and instructions on installation after venting is completed.

HORIZONTAL & VERTICAL COMBINATION TERMINATIONS (top vent)

MAXIMUM: 10 ft. (3.05) horizontal + 20 ft. (6.10 m) vertical + cap. 30 ft (9.14m) total.



NOTE: Flange on top stand-off must be bend upwards to a 90° angle when top venting.

ELBOWS

For each additional 90° elbow used after the first elbow, 3 ft. (914 mm) must be subtracted from the maximum allowed venting. For each 45° elbow used, 1-1/2 ft. (457 mm) must be subtracted from the maximum venting allowed.



NOTE: (2) 45° degree elbows may be used in place of (1) 90° elbow.

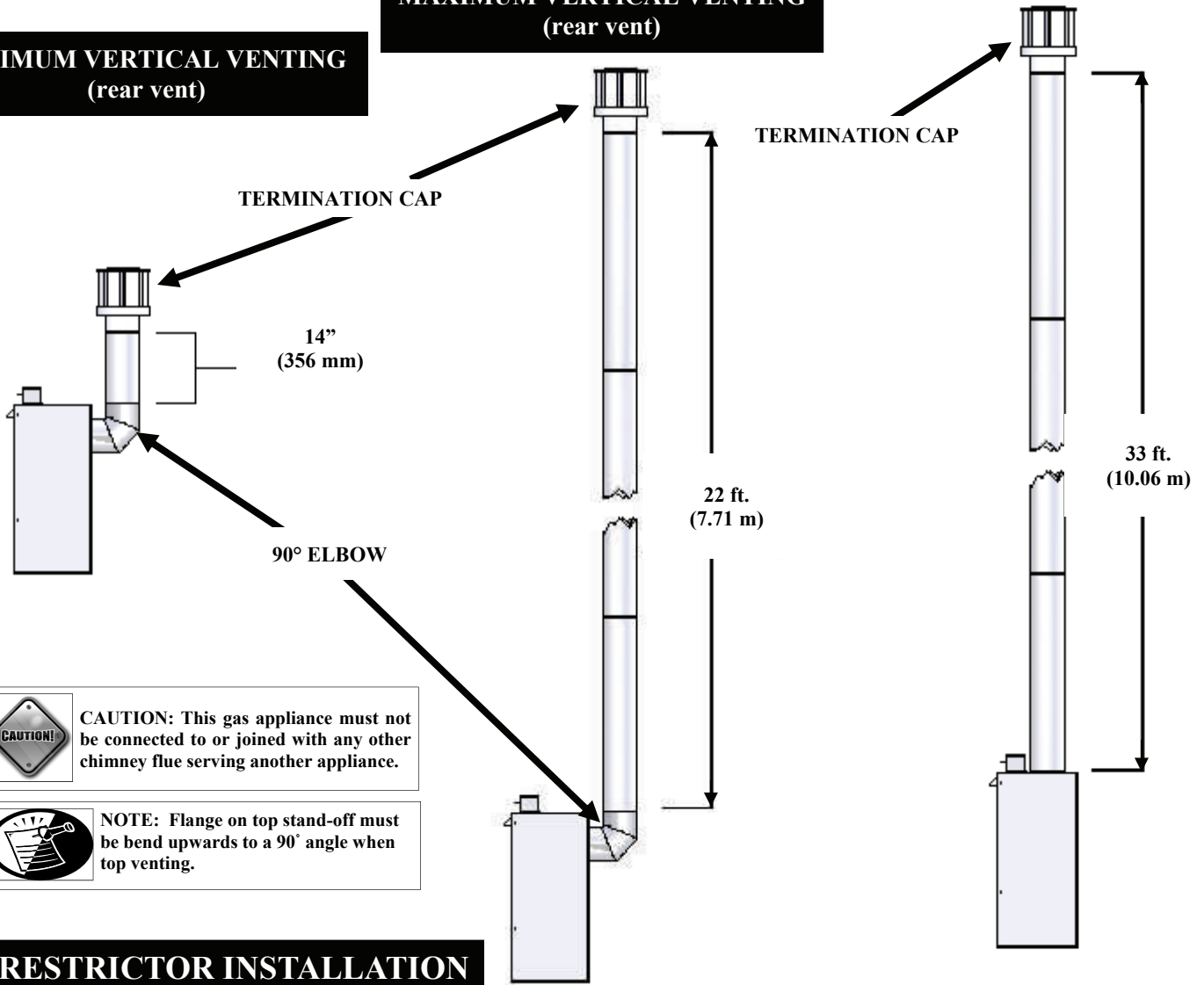
VENTING (Vertical)

VERTICAL TERMINATIONS

MAXIMUM VERTICAL VENTING (top vent)

MAXIMUM VERTICAL VENTING (rear vent)

MINIMUM VERTICAL VENTING (rear vent)

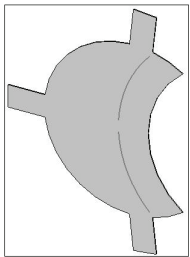


CAUTION! This gas appliance must not be connected to or joined with any other chimney flue serving another appliance.

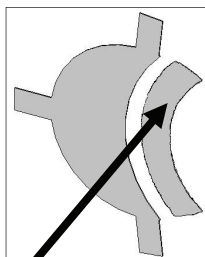
NOTE: Flange on top stand-off must be bend upwards to a 90° angle when top venting.

RESTRICTOR INSTALLATION

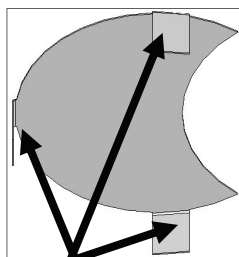
TO BE USED AT INSTALLER DISCRETION.



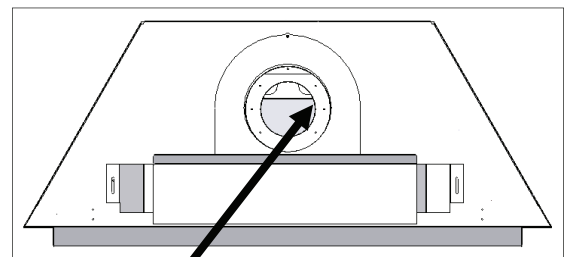
Large Restrictor



Remove tab (s) to create small restrictor



Bend tabs to approx. 80 degree angles to create tension to hold itself in place when installed.



Slide restrictor into exhaust pipe on top of fireplace with tabs pointing towards you prior to attaching venting.

NOTE: Page 51 has information on restrictor recommendations depending on burner flame appearance and instructions on installation after venting is completed.

VENTING (Horizontal & Vertical Combination)



NOTE: Page 26 has information on restrictor installation in conjunction with venting installation.

Page 51 has information on restrictor recommendations depending on burner flame appearance and instructions on installation after venting is completed.

Horizontal sections require 1/4" (6 mm) rise for every 12" (305 mm) of travel.

Flange on top stand-off must be bend upwards to a 90° angle when top venting.

For each additional elbow used after the first elbow, 3 ft. (914 mm) must be subtracted from the maximum venting allowed. For each 45° elbow used, 1-1/2 ft. (457 mm) must be subtracted from the maximum venting allowed.

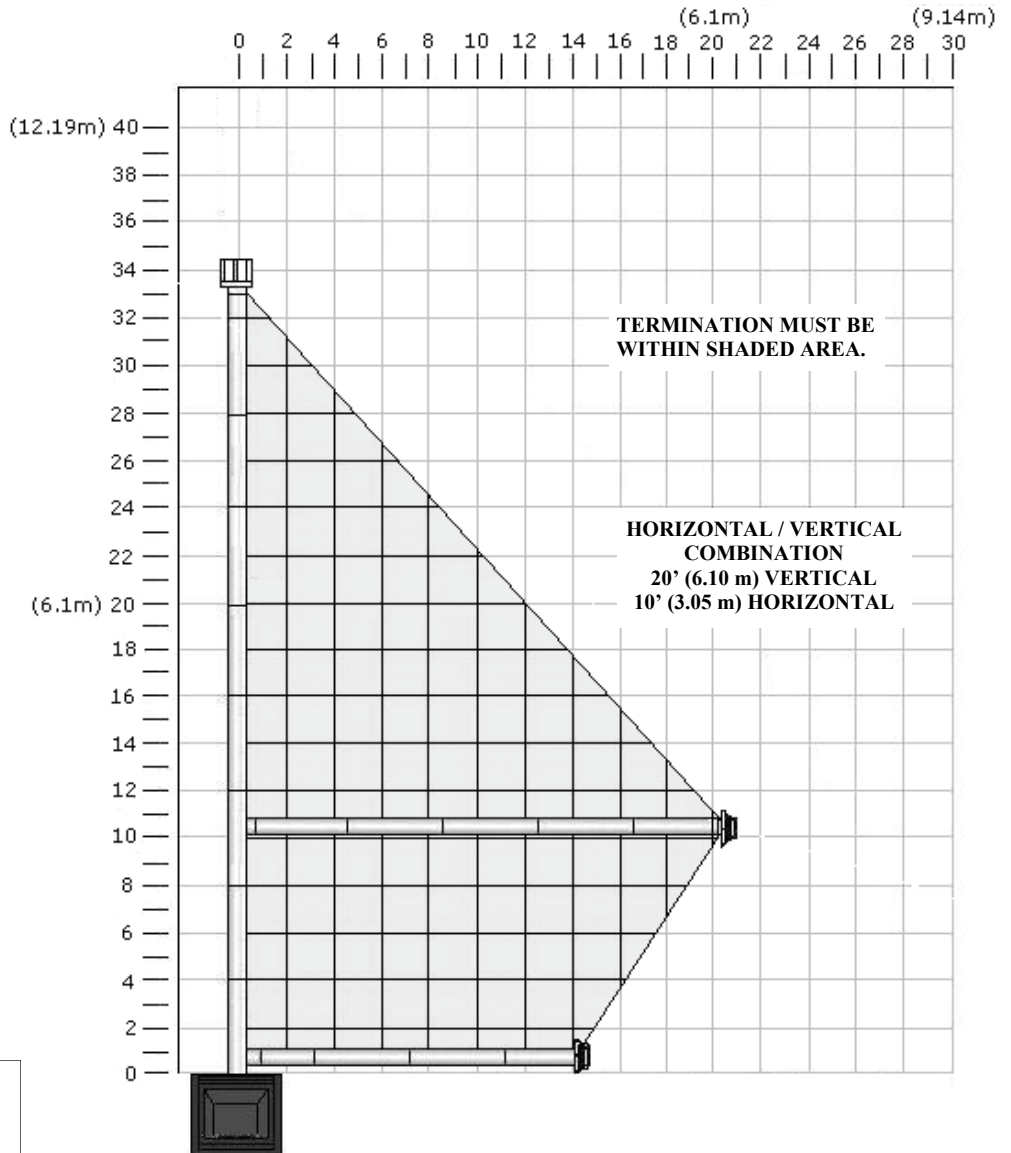
(2) 45° degree elbows may be used in place of (1) 90° elbow.



CAUTION: This gas appliance must not be connected to or joined with any other chimney flue serving another appliance.



IMPORTANT: A WALL THIMBLE PASS-THRU MUST BE USED ON ALL HORIZONTAL VENT RUNS THAT PASS THROUGH EITHER INTERIOR OR EXTERIOR WALLS. FOLLOW VENT SYSTEM MANUFACTURER'S INSTRUCTIONS.



VENTING (Flexible (#700 Series))

INSTALLATION OF #700 SERIES DIRECT VENT TERMINATION KIT(S)



IMPORTANT: The flex pipe is permanently attached to the exterior plate. **DO NOT ATTACH #745 or #718 termination kit to fireplace (or extension kit) until it has passed through the wall. Install termination plates to outside wall exterior.**

HORIZONTAL TERMINATIONS Refer to illustration on following page.

IF TERMINATING AGAINST VINYL SIDING, A VINYL SIDING PROTECTOR, INCLUDED WITH THE #718 AND #745 DIRECT VENT KITS, MUST BE USED. FOLLOW INSTRUCTIONS INCLUDED.



ATTENTION: Horizontal Top Vent Terminations using Kozy Heat #700 series Flexible Vent System: Part # 923-F - Flex Vent System Adaptor must be installed.



CAUTION: This gas appliance must not be connected to a chimney flu serving another type of appliance.



NOTE: Page 26 has information on restrictor installation in conjunction with venting installation. Page 51 has information on restrictor recommendations depending on burner flame appearance and instructions on installation after venting is completed.

1. If your vent system application does not require an extension kit, proceed to step #7.
2. If your vent system application will require one or more extension kits (Part #746), proceed with the following steps. Each #746 extension kit contains enough 4" & 7" flexible aluminum to extend the chimney an additional 6' (1.83 m).
3. Gently stretch 4" & 7" flexible aluminum pipes on the termination kit (#745 or #718) and on each extension kit (if used) the length required for your installation.



IMPORTANT: DO NOT STRETCH EXTENSION KIT- #746 BEYOND 6' (1.83 m). DO NOT STRETCH BEYOND WHAT IS REQUIRED - IT IS VERY DIFFICULT TO RECOMPRESS THE FLEX PIPES ONCE STRETCHED.

4. Place a bead of sealant outside the 4" flex pipe collar (C) (the end with EXTERNAL lip), sliding it **inside** the 4" pipe on top of fireplace (D). Secure with 3 evenly spaced screws.
5. Place a bead of sealant inside the 7" flex pipe collar (E) (the end with the INTERNAL lip), sliding it **over** the 7" pipe on top of fireplace (F). Secure with 3 evenly spaced screws.
6. If additional extension kits are required, repeat steps #4 - #5, placing 4" & 7" pipes onto the previous extension kit.
7. With the spacer legs toward the wall, slide the interior firestop (H) over the 7" pipe and attach to the interior wall (over wall materials).

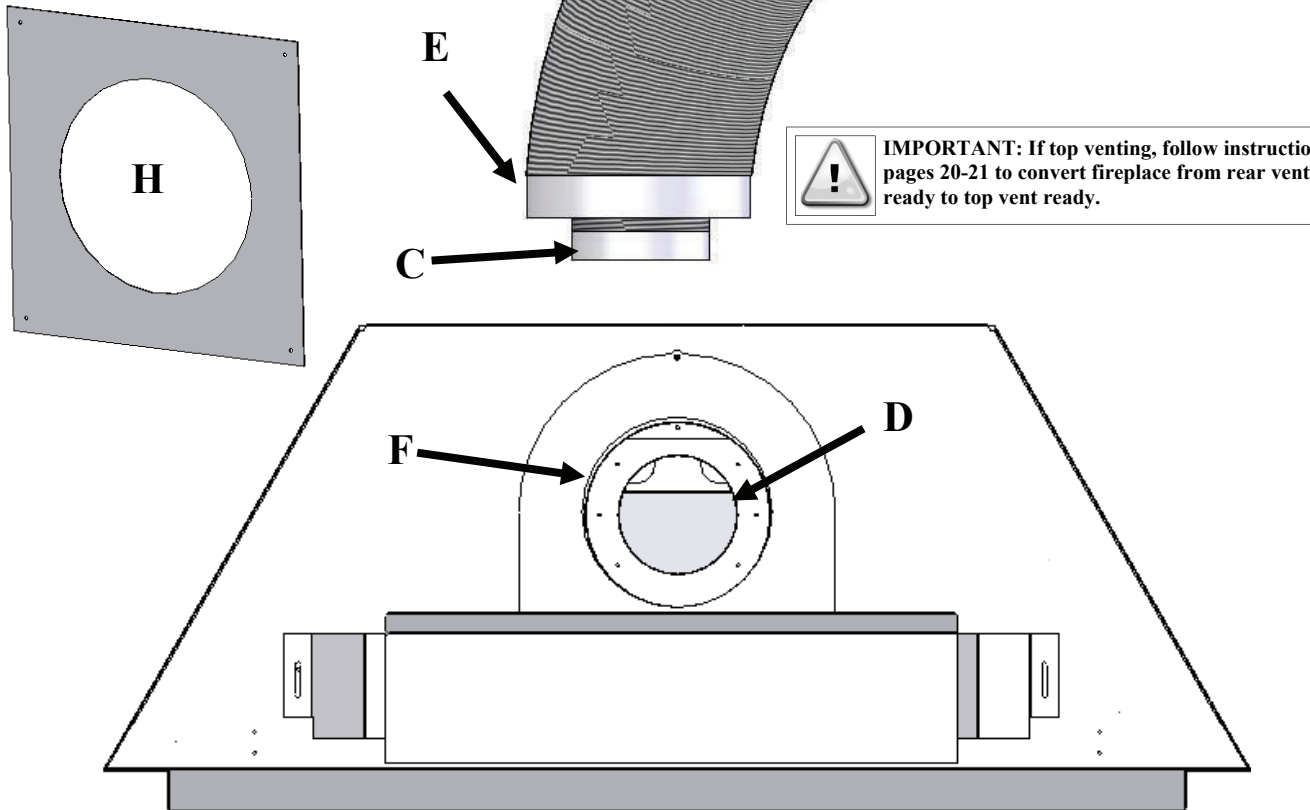


NOTE: Attachment brackets are included with the termination kit. These optional brackets should be screwed or nailed (not provided) onto the top and bottom of the 9-1/2" (241 mm) H x 9-1/2" (241 mm) W opening on the exterior of the house. The termination plates then fit between these brackets. Using screws provided, secure brackets to the termination box (A). Attach the vinyl siding protector (G).

VENTING (Flexible #700 Series cont)

8. Apply a liberal bead of exterior sealant around the outer edge of termination box (A), placing the assembly through opening in exterior wall. Place screws through the four slots (B), securing it in place.
9. Gently pull 4" & 7" pipes down to the top of extension kit, or top of fireplace if no extension kits were used.
10. Place a bead of sealant outside 5" flex pipe collar (C) and slide it into 4" pipe on the extension kit or top of fireplace (D). Secure with 3 evenly spaced screws.
11. Place a bead of sealant inside 7" flex pipe collar (E) and slide it over 7" pipe on the extension kit or top of fireplace (F). Secure with 3 evenly spaced screws.
12. **OPTIONAL:** Place insulation between 7" pipe and wall studs.

A	TERMINATION BOX
B	SLOTS IN EXTERIOR WALL PLATE
C	4" FLEX PIPE COLLAR
D	4" PIPE ON FIREPLACE OR EXTENSION KIT
E	7" FLEX PIPE COLLAR
F	7" PIPE ON FIREPLACE OR EXTENSION KIT
G	VINYL SIDING PROTECTOR
H	INTERIOR FIRESTOP



TERMINATION VENT CAP LOCATION

This gas appliance must not be connected to a chimney serving any other appliance.

1. Terminations against vinyl siding must use a vinyl siding protector. Follow instructions included.
2. DO NOT RECESS TERMINATION KIT INTO OUTSIDE BUILDING MATERIALS - i.e.: brick, stone, siding, etc. If necessary, extend framing so that termination kit will be exposed once building materials are installed.
3. Vent termination must not be located where it will become plugged by snow or other material. The flow of combustion and ventilation air must be not obstructed.

LOCATION CLEARANCES

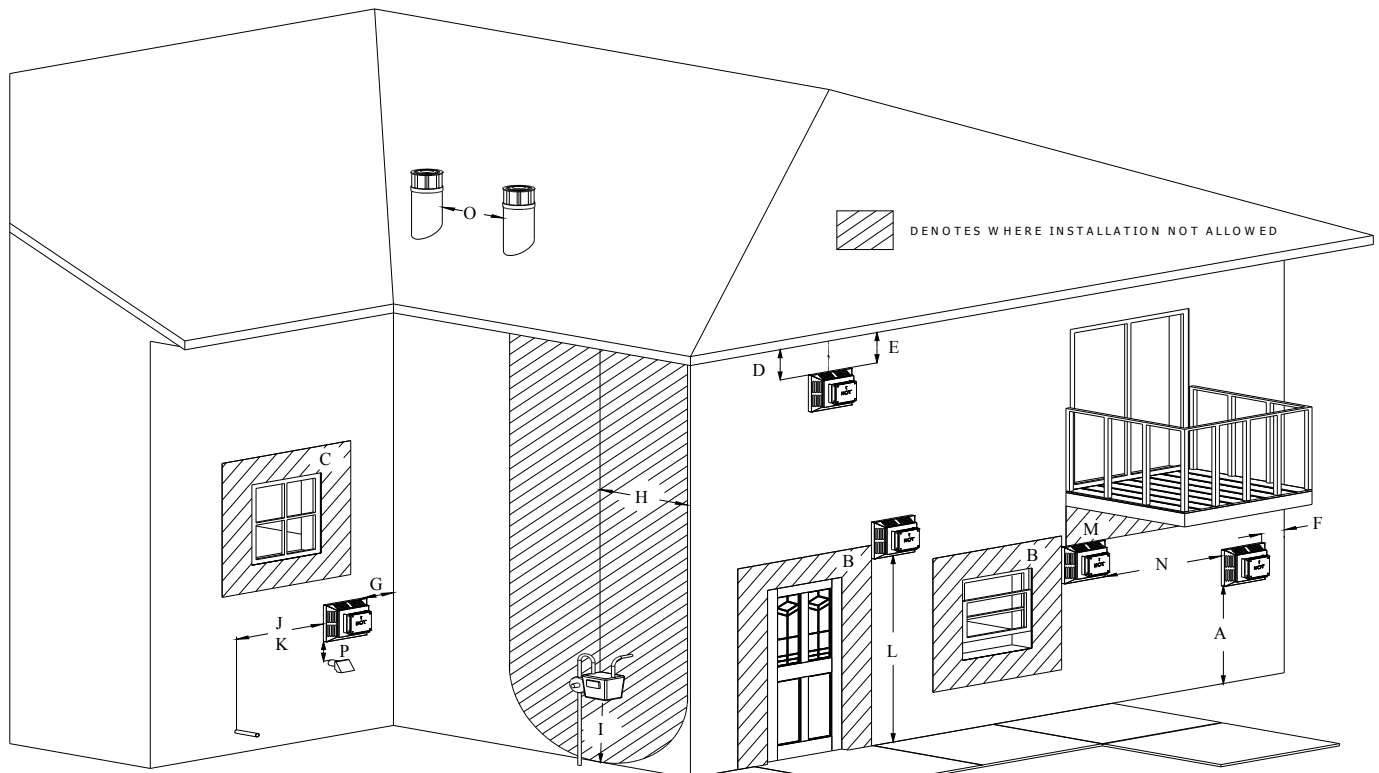
- A. Above grade, veranda, porch, deck, balcony - 12" (305 mm).
- B. Operable window or door - CANADA: 12" (305 mm). US: 9" (229 mm).
- C. Permanently closed window* - 12" (305 mm) (recommended to prevent condensation on window).
- D. Ventilated soffit* - 24" (610 mm).
- E. Unventilated soffit* - 12" (305 mm).
- F. Outside corner* - 12" (305 mm).
- G. Inside corner* - 12" (305 mm).
- H. Meter / Regulator: Not to be installed above a gas meter/regulator assembly within 3 ft. (914 mm) horizontally from the centerline of the regulator.
- I. Gas Service regulator vent outlet - 3 ft. (914 mm).
- J. Non-mechanical air supply inlet to building or the combustion air inlet to any other appliance. CANADA: 12" (305 mm). US: 9" (229 mm).
- K. Mechanical air supply inlet. CANADA: 6 ft. (1.83 m) US: 3 ft. (914 mm) above if within 10 ft. (3.05 m) horizontally. Massachusetts installations: 10 ft. (3.05 m).
- L. Above paved side-walk or paved driveway located on public property - 7 ft. (2.13 m).



NOTE: A vent cannot be located directly above a side-walk or paved driveway that is located between two single family dwellings and serves both dwellings.

- M. Under veranda, porch, deck, or balcony (must be fully opened on a min. of 2 sides) - 12" (305 mm).
- N. Between two horizontal terminations - 12" (305 mm).
- O. Between two vertical terminations - 12" (305 mm). Terminations may be the same height.
- P. Above furnace exhaust or inlet - 12" (305 mm).

*Clearance must be in accordance with local installation codes & the requirements of the gas supplier.



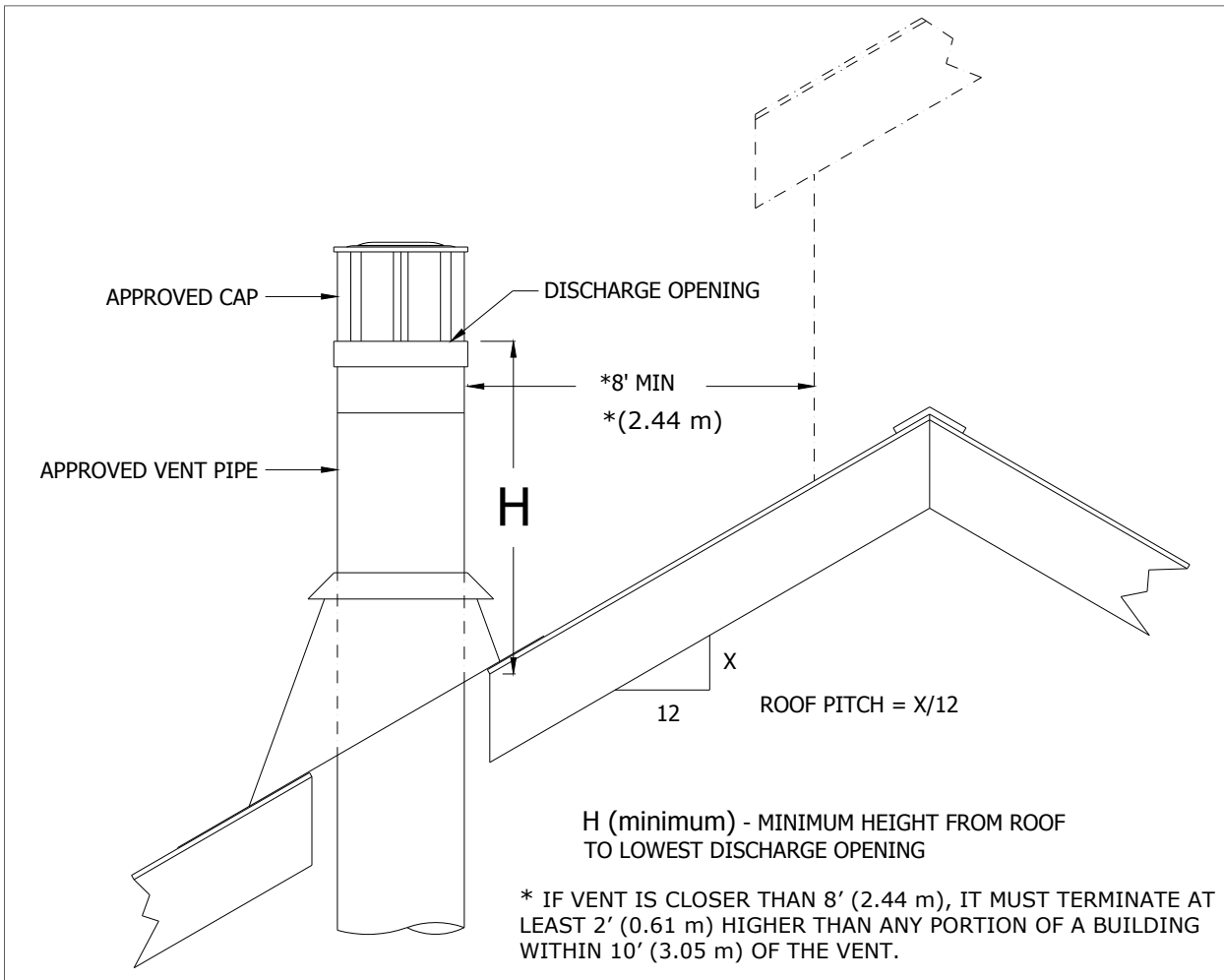
VENTING (Vertical Cap Requirements)

VENT TERMINATION CLEARANCES

Roof Pitch	H (Min.) Ft.	H (Min.) m
Flat to 6/12	1.0	0.30
Over 6/12 to 7/12	1.25	0.38
Over 7/12 to 8/12	1.5	0.46
Over 8/12 to 9/12	2.0	0.61
Over 9/12 to 10/12	2.5	0.76
Over 10/12 to 11/12	3.25	0.99
Over 11/12 to 12/12	4.0	1.22
Over 12/12 to 14/12	5.0	1.52
Over 14/12 to 16/12	6.0	1.83
Over 16/12 to 18/12	7.0	2.13
Over 18/12 to 20/12	7.5	2.27
Over 20/12 to 21/12	8.0	2.44



CAUTION: This appliance must not be connected to or joined with any chimney flue serving any other appliance.



LOG SET INSTALLATION



ATTENTION: If converting to LP (propane) gas or installing the optional firebrick refractory, do so now before installing log set. Follow instructions included with conversion kit and / or refractory kit.



NOTE: Log numbers are located on the bottom of each log. Refer to following instructions and illustrations for proper placement.



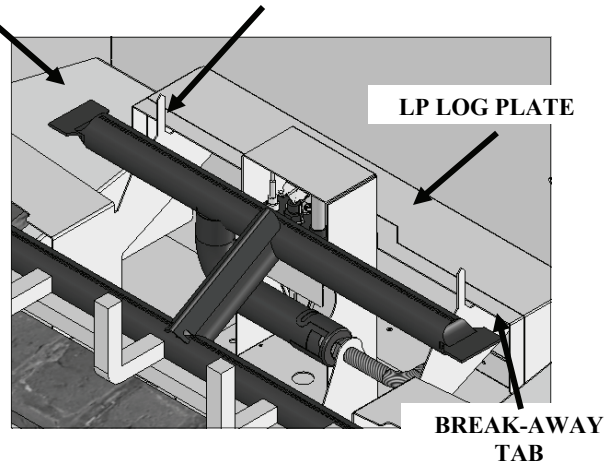
CAUTION: Do not place logs directly over burner port holes. Improper log placement may affect flame appearance and cause excessive soot to build up on logs and glass.

LP GAS MODELS

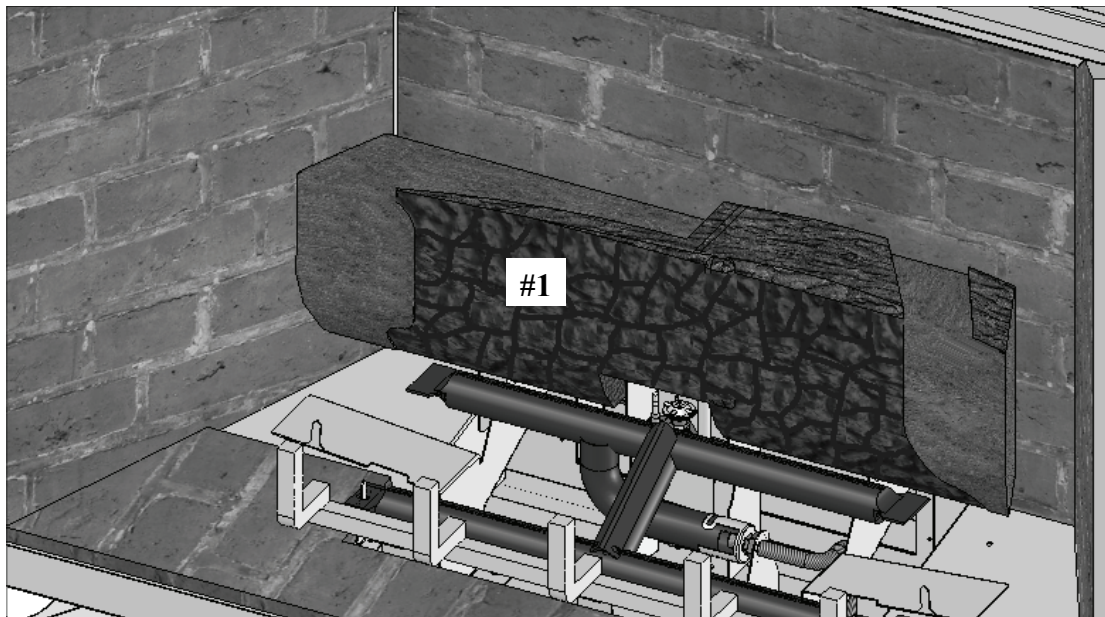
If installing an optional firebrick refractory set, the break-away tab at the front of LP log plate will need to be removed. Position LP log plate onto back log bracket. When properly seated, the log plate sides sit between back log brackets and burner heat shield sides.

BURNER HEAT SHIELD

BACK LOG BRACKET



STEP 1: #1 LOG PLACEMENT



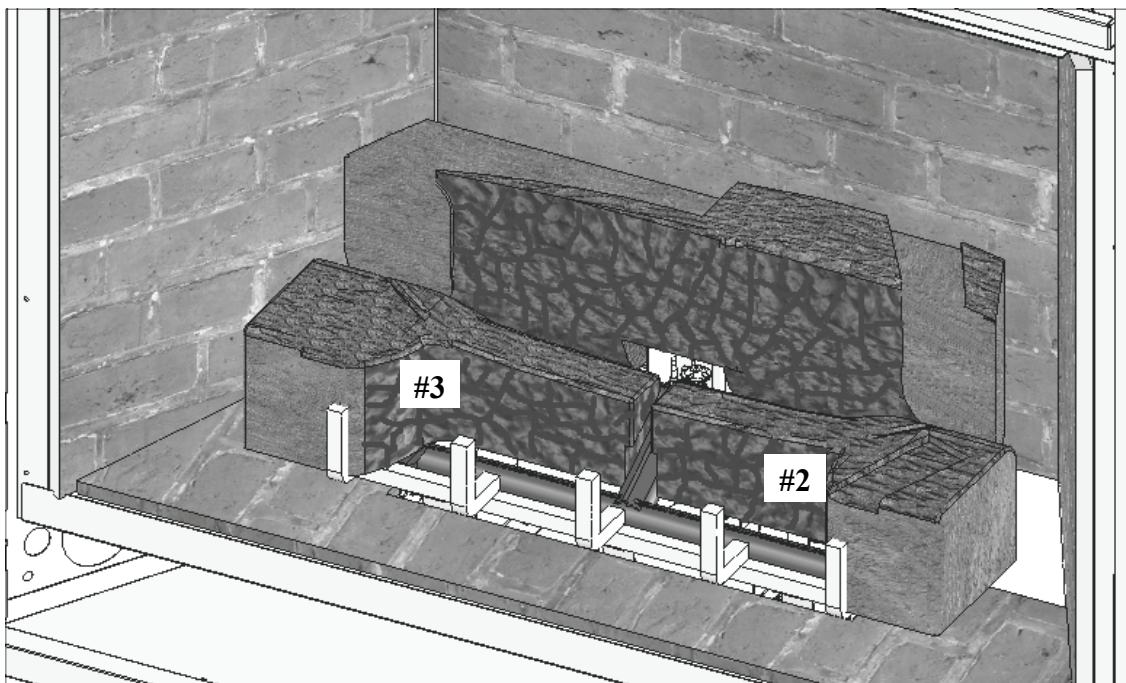
Place the back log onto back log brackets. Align the pins on log brackets with holes in bottom of log #1, positioning notched out section of log over pilot shield. Set down onto mounting pins.

LP GAS MODELS: Position back log to create 1/4" (6 mm) air space between back of burner and front of log.

NATURAL GAS MODELS: Position back log so front side of log is resting against backside of burner tube.

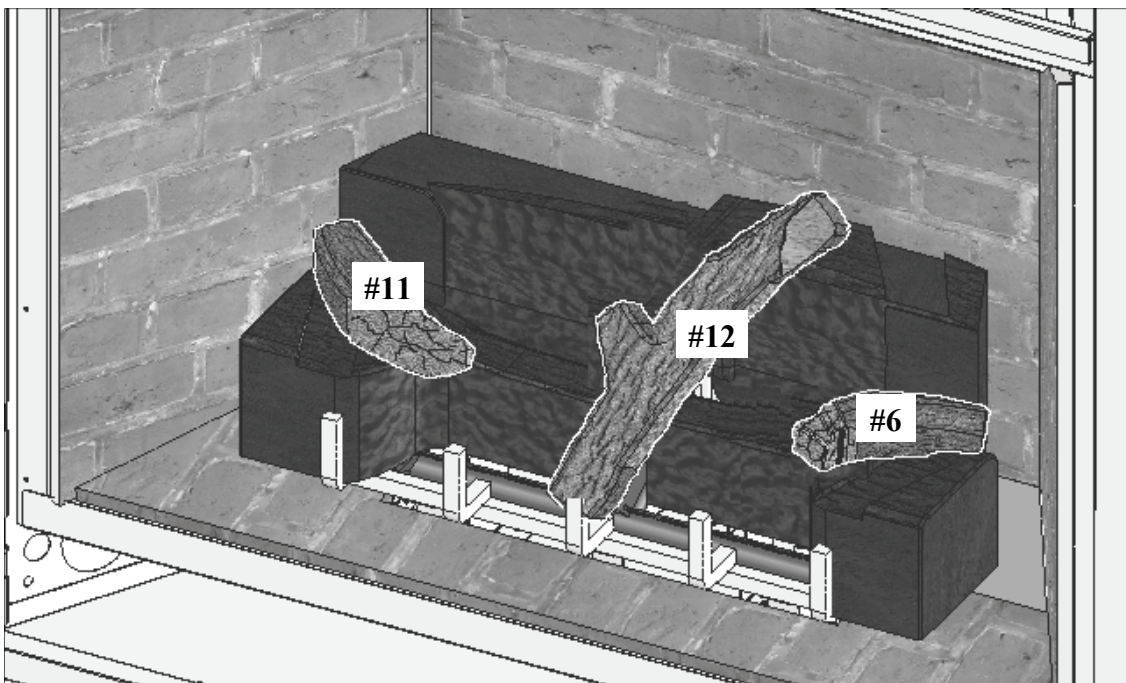
LOG SET INSTALLATION

STEP 2: #2 & #3 LOG PLACEMENT



Place left side alignment hole on base log #2 and right side alignment hole on base log #3 over pins on front log brackets, positioning cut-outs on logs over log grate. Press logs down onto pins.

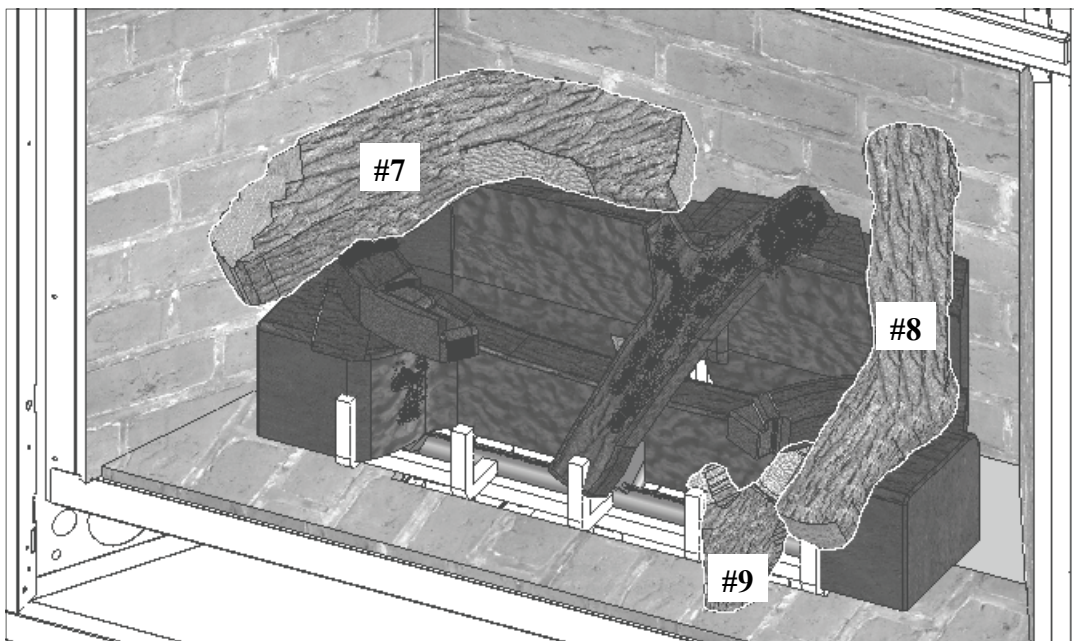
STEP 3: #11, #12 & #6 LOG PLACEMENT



Position #11, #12, and #6 logs onto corresponding cut-outs / notches on base logs. The #6 log must not extend over front of #2 log.

LOG SET INSTALLATION

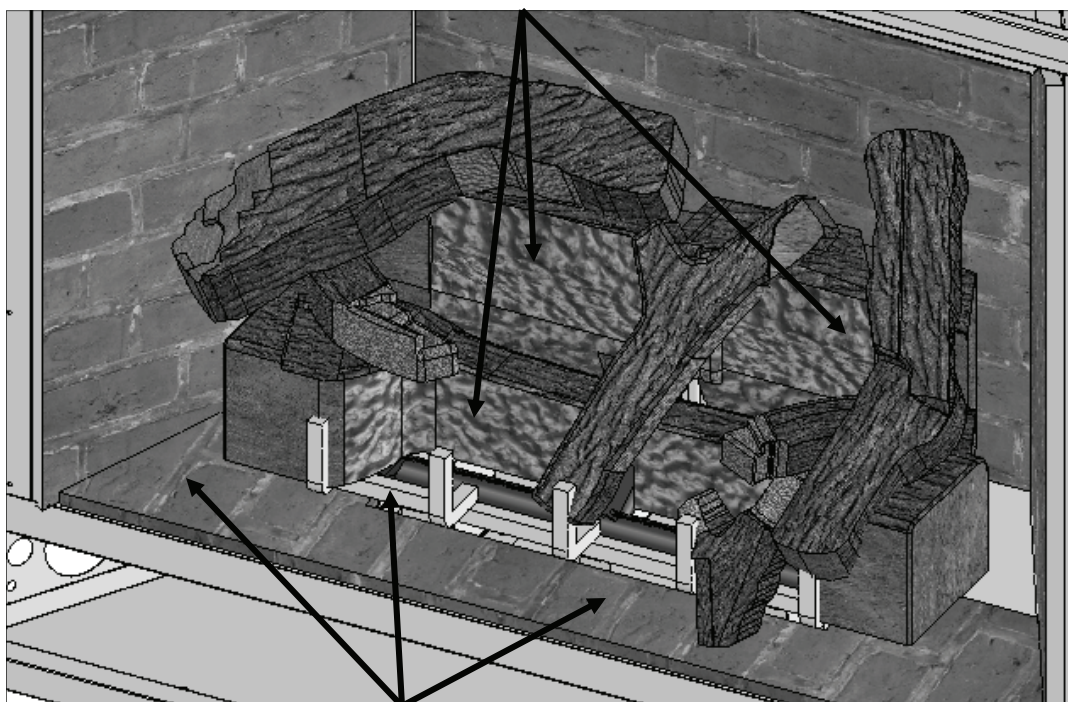
STEP 3: #7, #8 & #9 LOG PLACEMENT



Position #7, #8 and #9 logs onto corresponding cut-outs / notches on base, center logs and log grate.

STEP 4: COMPLETE LOG SET INSTALLATION

Use a steel or stiff bristle nylon brush to distribute Rock Wool Embers onto logs and burner.



Randomly place 'Klinkers' in this area. Do not place 'Klinkers' directly on burner ports.

MILLIVOLT BOARD REMOVAL

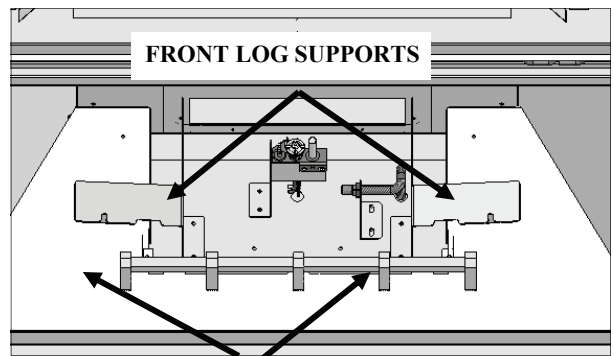
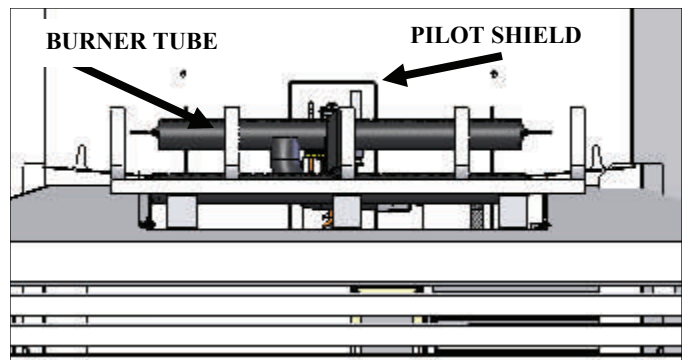
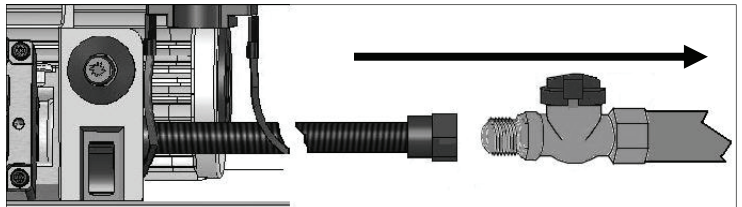
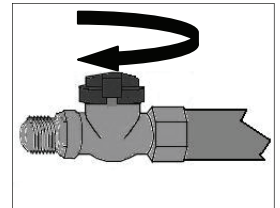


CAUTION: If the burner and/or pilot have been burning, use the appropriate protection to avoid burns or damage to personal property before removing any components.



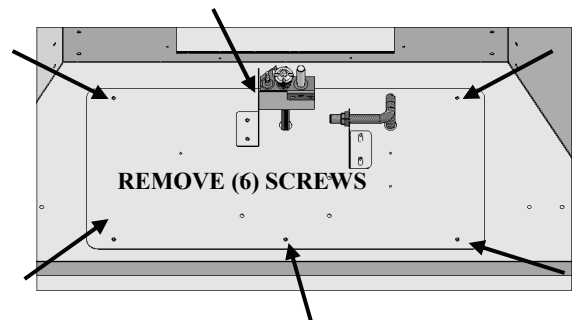
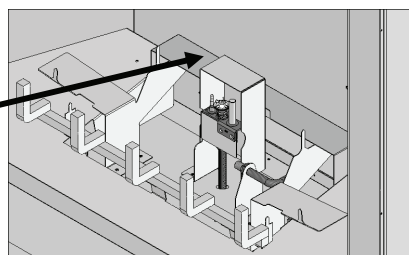
NOTE: Illustrations shown with 56701 valve components.

1. Turn gas control knob to the 'OFF' position.
2. Shut off gas supply at the manual shut-off valve.
3. Disconnect gas line flex tube from the manual shut-off valve.
4. **Model 56701:** Disconnect any wall switch, remote control or thermostat wires from top & bottom terminals on the gas valve.
Model 56701-RF: Unplug fan cord from receptacle, disconnect the (2) wires from fan cord. (The wires will remain connected to the back of gas valve).
5. Remove upper hood, upper louver & glass assembly. Refer to page 37 if necessary.
6. Remove glass frame assembly. Refer to page 14 if necessary.
7. Remove logs, pilot shield and bottom refractory panels.
8. Remove refractory panel set (if installed).
9. Remove burner tube from firebox by lifting up off tabs, sliding to left & off the orifice.
10. **LP Gas models:** Remove LP log plate.
11. Remove and save screws securing front log supports. Remove log supports.
12. Remove log grate / burner heat shield from fireplace.
13. Remove and save the (6) screws securing the millivolt board to firebox bottom.
14. Lift millivolt board up and out of firebox being careful not to damage the sealing gasket lying underneath.



LOG GRATE / BURNER HEAT SHIELD

**LP GAS MODEL:
LP LOG PLATE**



REMOVE (6) SCREWS

MILLIVOLT BOARD INSTALLATION

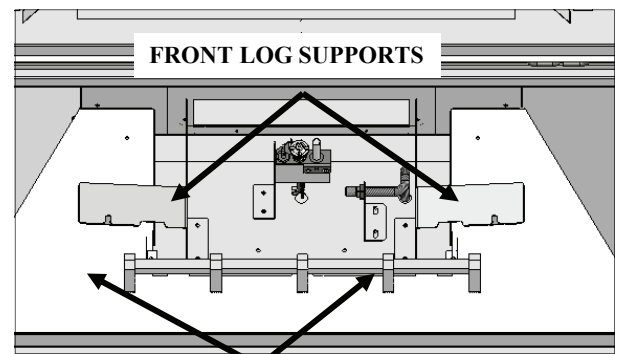
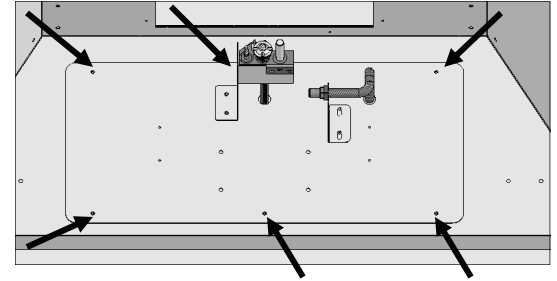


WARNING: DO NOT OPERATE THIS FIREPLACE WITHOUT SEALING GASKET (LOCATED UNDER THE MILLIVOLT BOARD) IN PLACE. IF GASKETING IS DAMAGED, IT MUST BE REPLACED.

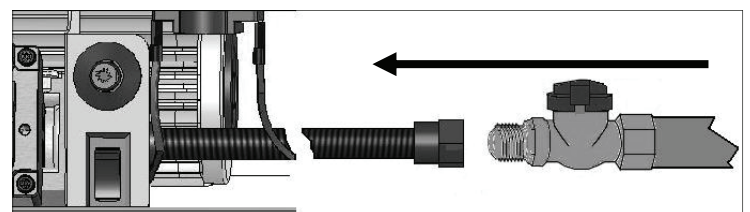
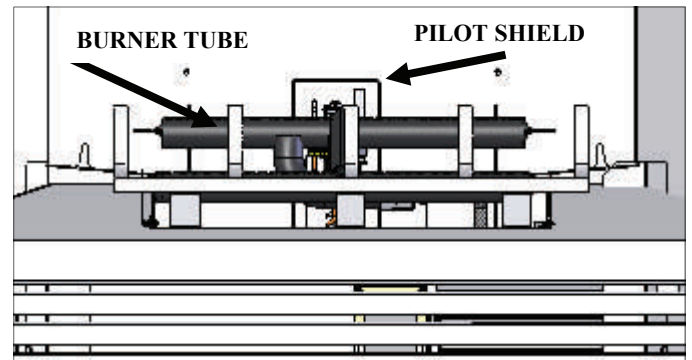


NOTE: Illustrations shown with 56701 valve components.

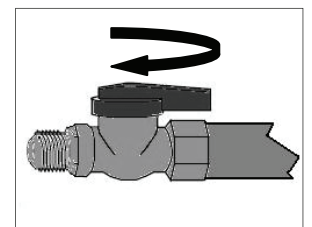
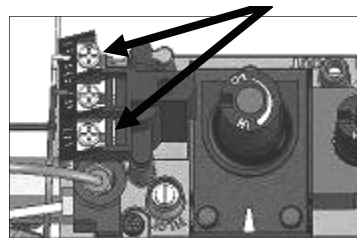
1. Place millivolt board in firebox, aligning the holes in the millivolt board with holes in the firebox bottom. **MAKE SURE SEALING GASKET IS IN PLACE ON FIREBOX BOTTOM!** Secure millivolt board to firebox bottom with the (6) screws previously removed.
2. Install log grate / burner heat shield assembly into fireplace, making sure entire assembly (front flange) is inside firebox when completed.
3. Reinstall front log supports, securing with screws previously removed.
4. Reinstall burner tube, sliding venturi over millivolt board orifice, placing mounting holes in burner tube over tabs on log grate / burner heat shield assembly.
5. **LP Gas Models:** Reinstall LP log plate.
6. Reinstall pilot shield.
7. Reinstall refractory panels (if applicable).
8. Reinstall bottom refractory panels.
9. Reinstall log set. (Pages 32-34).
10. Reconnect gas line to manual shut-off valve.
11. **Model 5670:** Reconnect any wall switch, remote control or thermostat wires to the top & bottom terminals on the gas valve.
Model 56701-RF: Re-connect the (2) wires to fan cord. Plug fan cord into receptacle.
12. Reinstall glass frame assembly. Page 14.
13. Reinstall upper louver, upper hood and lower grill. Page 37.
14. Turn gas on.
15. Verify proper log placement, operation of fireplace, and any electrical components.



LOG GRATE / BURNER HEAT SHIELD



RE-CONNECT ANY REMOTE / THERMOSTAT WIRES

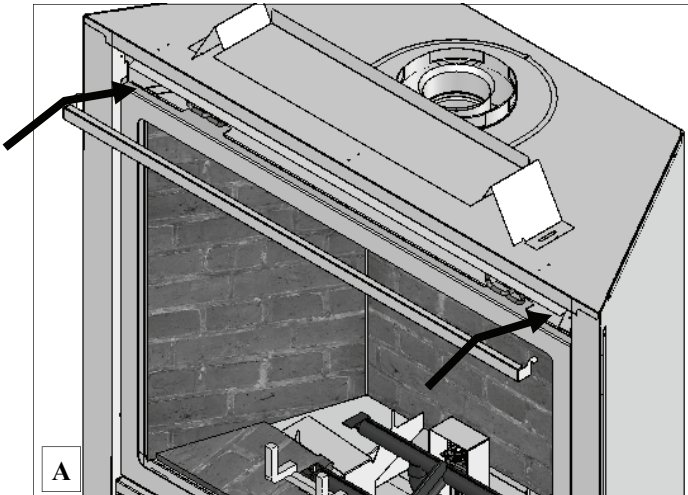


CAUTION: CHECK ALL CONNECTIONS FOR LEAKS, WHETHER FIELD OR FACTORY MADE.

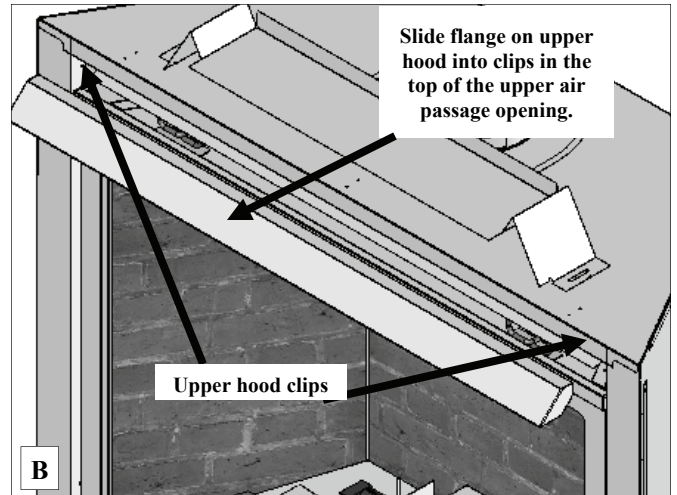
GRILL SET

UPPER LOUVER, HOOD & LOWER GRILL INSTALLATION & REMOVAL

INSTALLATION



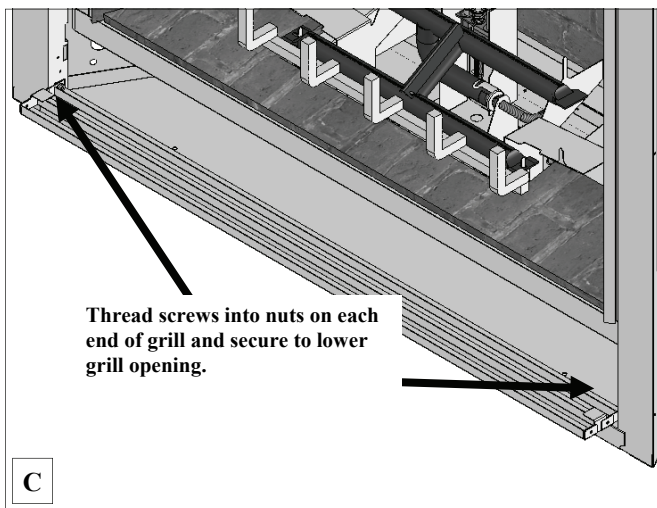
- A. Align hooks in the upper louver to slots located in the fireplace face. Set down into position.



- B. Insert upper hood flange into clips located at the top of the upper air passage.



NOTE: THIS IS A FAIRLY TIGHT FIT.



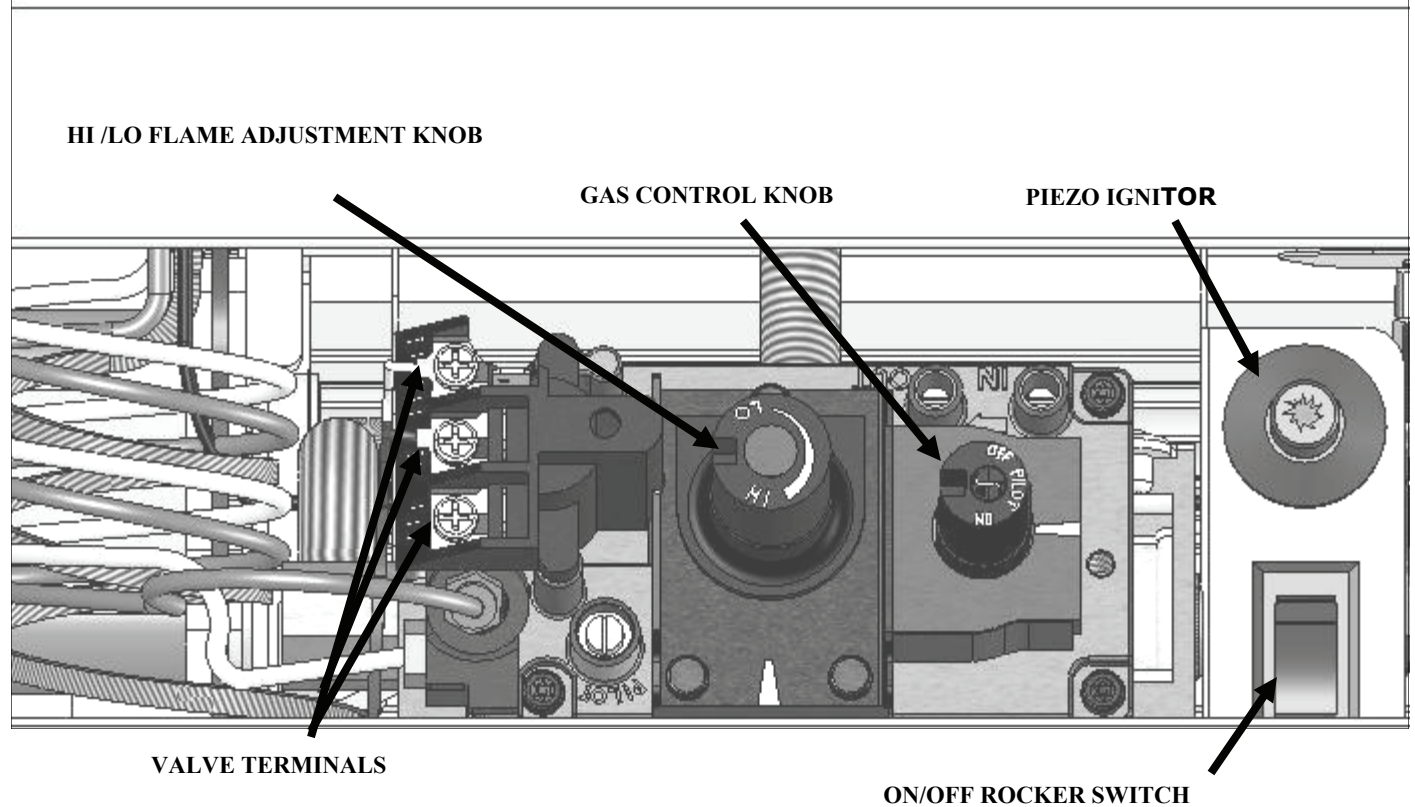
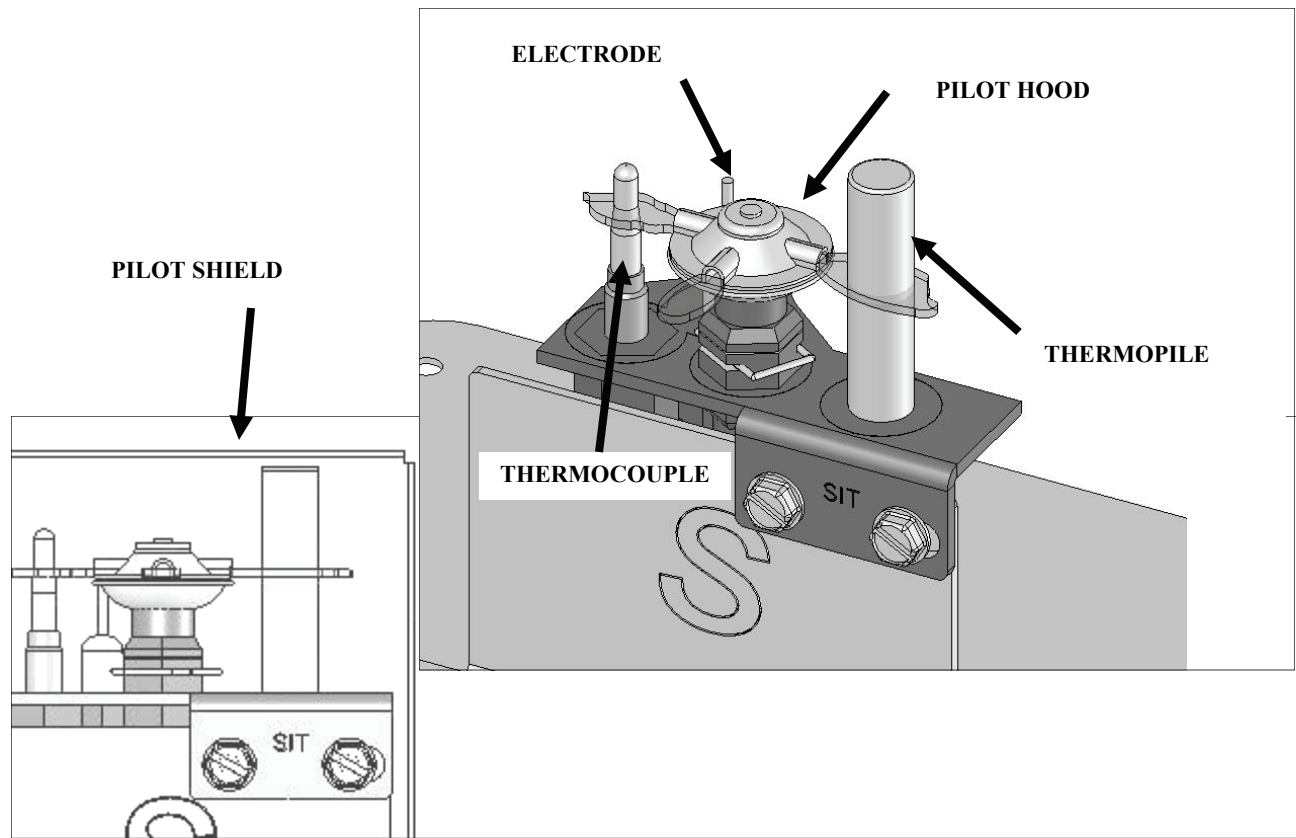
Thread screws into nuts on each end of grill and secure to lower grill opening.

- C. Partially thread the (2) screws (included in components packet) into the nuts at each end of the lower grill. Secure to fireplace by threading the screws into the corresponding holes in the inside flange of the lower grill opening. The lower grill can now be opened and closed to access the gas valve and controls.

REMOVAL

- Use both hands to pull the hood out of upper air passage clips.
- Lift upper louver up and out of slots.
- Remove screws securing the lower grill at each end to remove from fireplace.

56701 VALVE & PILOT ASSEMBLY COMPONENTS



56701 LIGHTING AND SHUTDOWN

FOR YOUR SAFETY - READ BEFORE LIGHTING

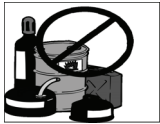


WARNING: IF YOU DO NOT FOLLOW THESE INSTRUCTIONS EXACTLY, A FIRE OR EXPLOSION MAY RESULT, CAUSING PROPERTY DAMAGE, PERSONAL INJURY OR LOSS OF LIFE.

DUE TO HIGH SURFACE TEMPERATURES, KEEP CHILDREN, CLOTHING AND FURNITURE AWAY.

This appliance needs fresh air for safe operation and must be installed so there are provisions for adequate combustion and ventilation air.

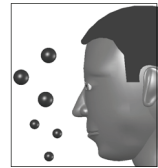
1. This appliance has a pilot which must be lighted by hand. When lighting the pilot, follow these instructions exactly.
2. **BEFORE LIGHTING**, smell all around the appliance for gas. Be sure to smell next to the floor because some gas is heavier than air and will settle on the floor.
3. Use only your hand to push in or turn the gas control knob. Never use tools. If the knob will not push in, or turn by hand, do not try to repair it, call a qualified service technician. Forced or attempted repair may result in a fire or explosion, and loss of warranty.
4. Do not use this appliance if any part has been under water. Immediately call a qualified service technician to inspect the appliance and to replace any part of the control system which has been under water.



DO NOT STORE OR USE GASOLINE OR OTHER FLAMMABLE VAPORS AND LIQUIDS IN THE VICINITY OF THIS OR ANY OTHER APPLIANCE.

WHAT TO DO IF YOU SMELL GAS:

- * Do not touch any electrical switches
- * Do not try to light any appliance
- * Do not use the phone in your building
- * Immediately call your gas supplier from a neighbor's phone
- * Follow the gas supplier's instructions
- * If you cannot reach your gas supplier, call the fire department



WARNING: CHILDREN AND ADULTS SHOULD BE ALERTED TO THE HAZARDS OF HIGH SURFACE TEMPERATURES AND SHOULD STAY AWAY TO AVOID BURNS OR CLOTHING IGNITION. YOUNG CHILDREN SHOULD BE CAREFULLY SUPERVISED WHEN THEY ARE IN THE SAME ROOM AS THE APPLIANCE. CLOTHING OR OTHER FLAMMABLE MATERIAL MUST NOT BE PLACED ON OR NEAR THE APPLIANCE.



NOTE: A PAINT SMELL WILL OCCUR DURING THE FIRST FEW HOURS OF BURNING. IT IS RECOMMENDED TO LEAVE THE FAN OFF DURING THIS PERIOD TO HELP SPEED THE PAINT CURING PROCESS.

NOTE: THIS FIREPLACE MAY PRODUCE NOISES OF VARYING DEGREE AS IT HEATS AND COOLS DUE TO METAL EXPANSION AND CONTRACTION. THIS IS NORMAL AND DOES NOT AFFECT THE PERFORMANCE OR LONGEVITY OF THE FIREPLACE.

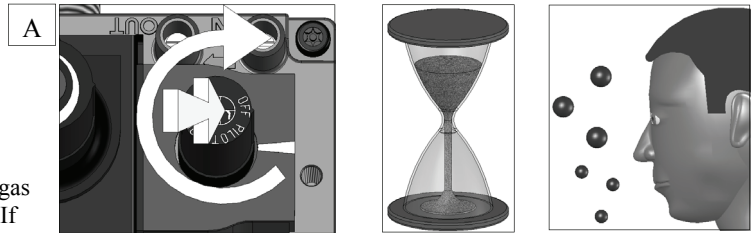
56701 LIGHTING AND SHUTDOWN (cont.)


LIGHTING

1. Set thermostat to the lowest setting, if installed.
2. Turn off all electrical power to the appliance. (Fan).
3. Open lower grill to access the gas valve & controls.

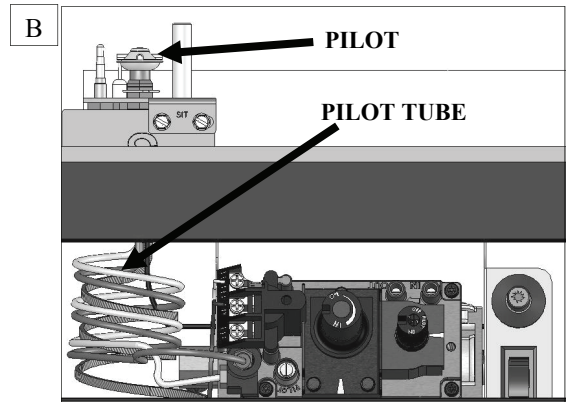
- A. Push gas control knob in slightly and turn clockwise to “OFF”. Wait five (5) minutes to allow any gas that may have accumulated inside the firebox to escape. If you then smell gas, **STOP!** Follow the safety information on the front cover and on the previous page of this installation manual. If you don’t smell gas, go to the next step.

5 MINUTES

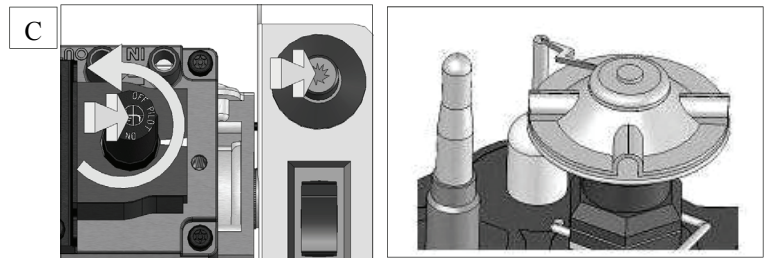


 **NOTE:** Gas control knob cannot be turned from “PILOT” to “OFF” unless knob is pushed in slightly. Do not force.


- B. Locate pilot - follow metal tube from gas control. The pilot is located inside the combustion chamber.



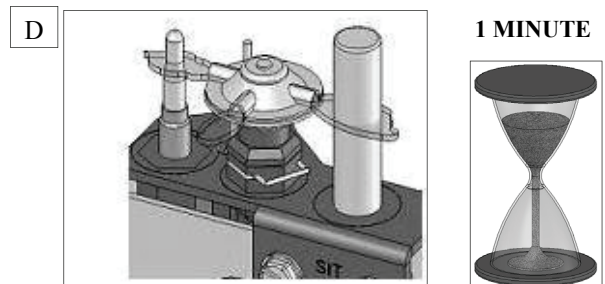
- C. Push gas control knob on the gas valve in slightly and turn counterclockwise to ‘PILOT’. Push valve knob in and hold while repeatedly pressing the piezo igniter button until the pilot is lit while continuing to hold in the gas control knob.



- D. Hold gas control knob in for one (1) minute after pilot is lit. Release the gas control knob. If the pilot goes out, repeat steps C-D. When the pilot is lit, proceed to step E.


 **CAUTION:** If knob does not pop up when released, stop and immediately call your service technician or the gas supplier. If the pilot will not stay lit after several tries, turn the gas control knob to OFF and call your service technician or the gas supplier.

- E. Push gas control knob in slightly and turn counterclockwise to ‘ON’. The burner can now be turned ‘ON’ by depressing the ON/OFF rocker switch located beside the valve, or wall switch, OR by setting the thermostat or remote control to the desired setting.



- F. Turn on all electric power to the appliance (if applicable).



 **NOTE:** When the fireplace is initially lit, condensation will appear on the glass; this is normal in all gas fireplaces and will disappear after several minutes.

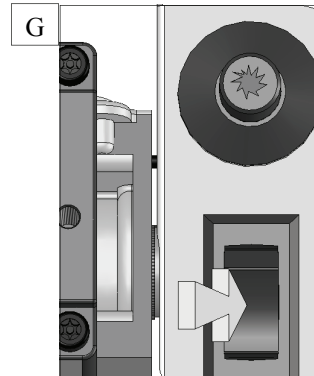
56701 LIGHTING AND SHUTDOWN (cont.)

TURN BURNER OFF

- G. To turn the burner 'OFF', depress the ON/OFF rocker switch to 'OFF', flip 'off' wall switch or adjust setting on the thermostat or remote control.



NOTE: The pilot will stay lit.

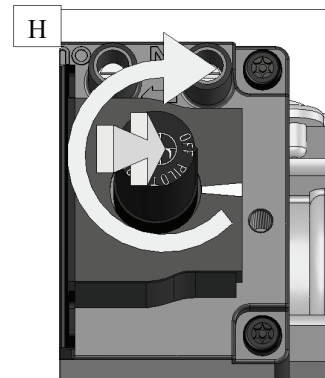


TURN PILOT OFF

- H. Turn the pilot off by pushing in and turning the gas control knob to the 'OFF' position. **DO NOT FORCE.**

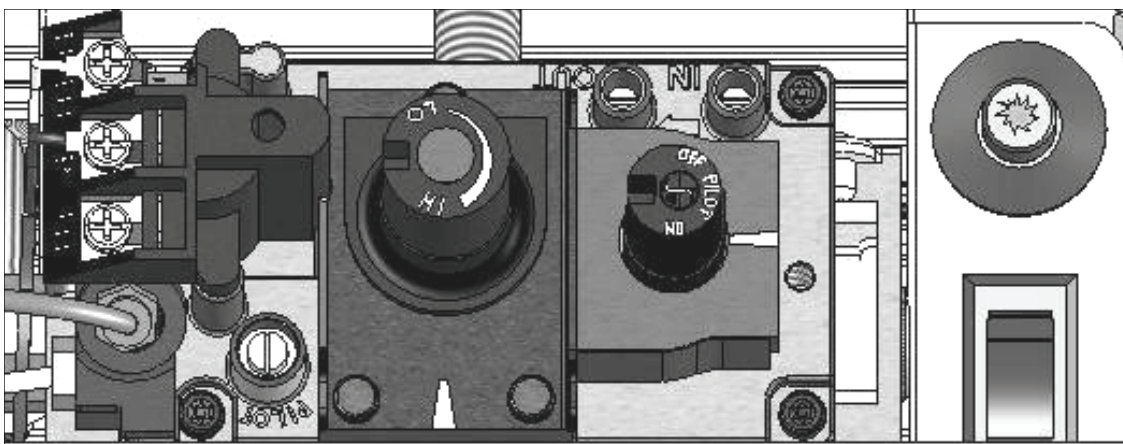
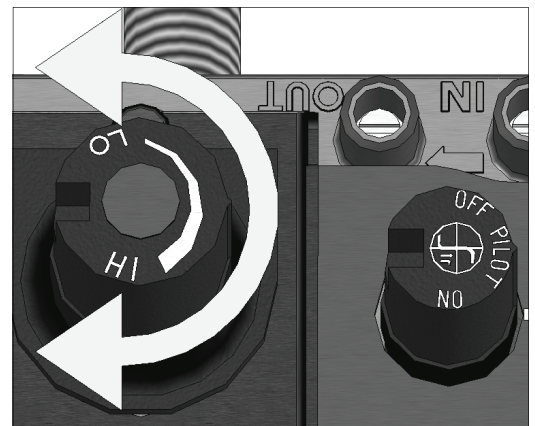


NOTE: This control valve has an interlock device. If pilot has been turned off, it cannot be relit until the thermocouple has cooled, (approximately 60 seconds).



ADJUSTING FLAME HEIGHT

The gas control valve has a HI /LO flame adjustment knob designed to allow you to tailor the look and heat output of your fireplace. Adjust by turning the middle knob on the gas control valve.



56701 PRESSURE TESTING



IMPORTANT NOTICE: Pressure check taps for the manifold (outgoing) and inlet (incoming) pressure have been incorporated into the valve. The pressure tap marked 'OUT' measures outgoing pressure and the pressure tap marked 'IN' measures incoming pressure. Follow instructions below for proper testing procedures.



NOTE: The appliance and its individual shutoff valve must be disconnected from the gas supply piping system during any pressure testing of that system at pressures in excess of ½ psi.

NOTE: The appliance must be isolated from the gas supply piping system by closing its individual manual shut-off valve during any pressure testing of the gas line at test pressures equal to or less than ½ psi (3.5 kPa).

INLET PRESSURE TEST:

1. Loosen inlet ('IN') pressure tap screw (counter-clockwise).
2. Attach manometer using a 5/16" I.D. hose.
3. Light pilot.
4. Turn gas control knob to 'ON' (burner should not light). Note manometer reading.
5. Press rocker switch to 'ON'. Check pressure to ensure that it stays near the maximum inlet pressure.
6. Press rocker switch to 'OFF'.
7. Turn gas control knob to 'OFF'.
8. Disconnect hose and tighten screw (clockwise). Screw should be snug, do not over tighten.
9. Relight pilot and turn gas control knob to 'ON'. Reattach manometer to inlet pressure tap to verify that it is completely sealed. Manometer should read no pressure.



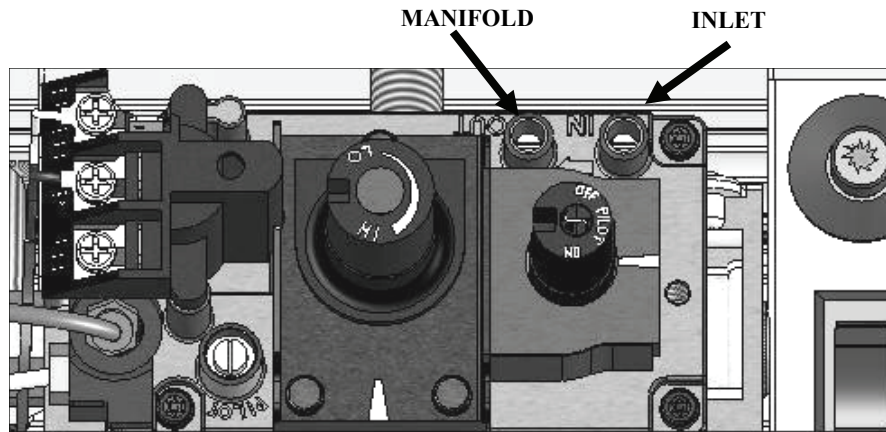
NOTE: If inlet pressure reading is too high or too low, contact the gas company. Only a qualified gas service technician should adjust the incoming gas pressure.

MANIFOLD PRESSURE TEST:

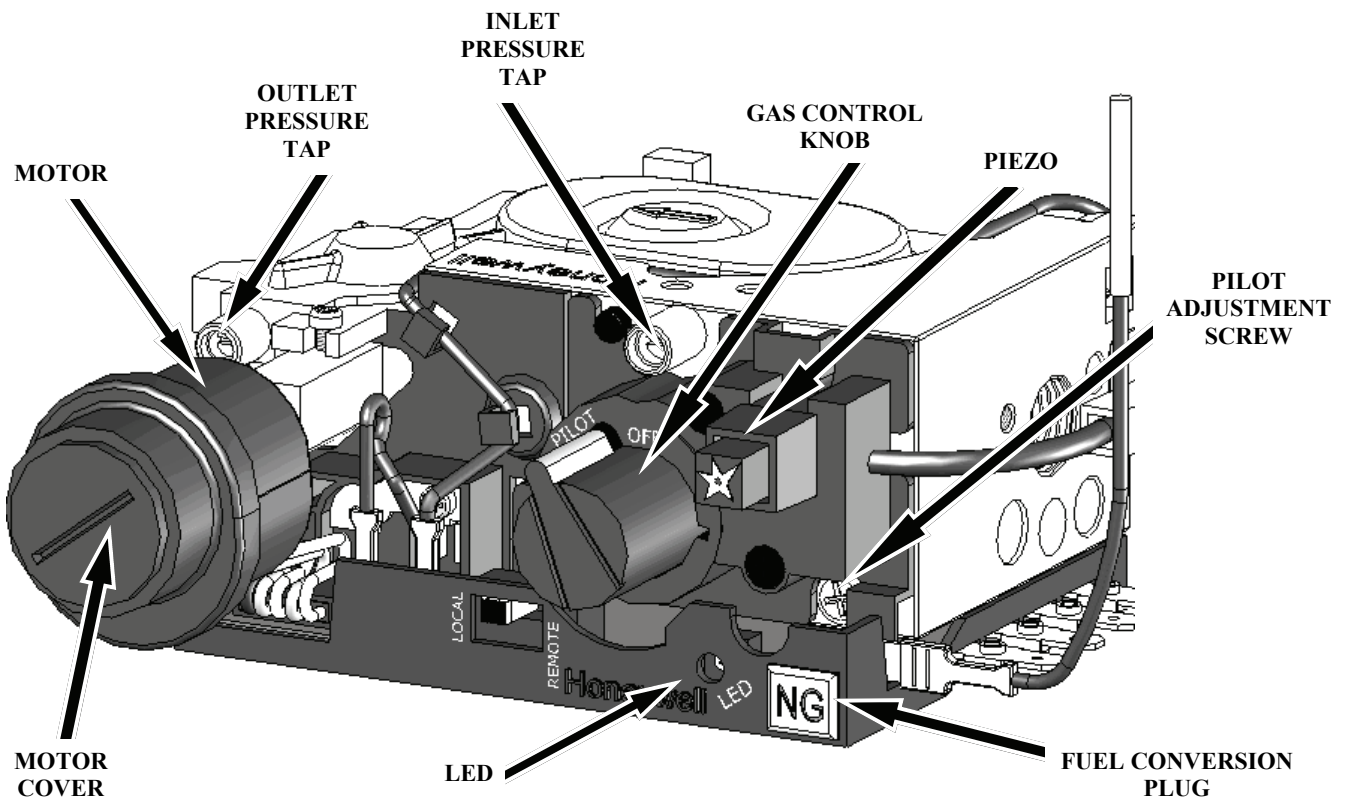
1. Light pilot.
2. Loosen manifold ('OUT') pressure tap screw (counter-clockwise).
3. Attach manometer to pressure tap using a 5/16" I.D. hose.
4. Turn gas control knob to 'ON'.
5. Press rocker switch to 'ON' and note manometer reading.
6. Press rocker switch to 'OFF'.
7. Disconnect manometer hose and tighten screw (clockwise). Screw should be snug, do not over tighten.
8. Attach manometer to manifold pressure tap to verify that it is completely sealed. Manometer should read no pressure when the rocker switch is pressed to 'ON'.



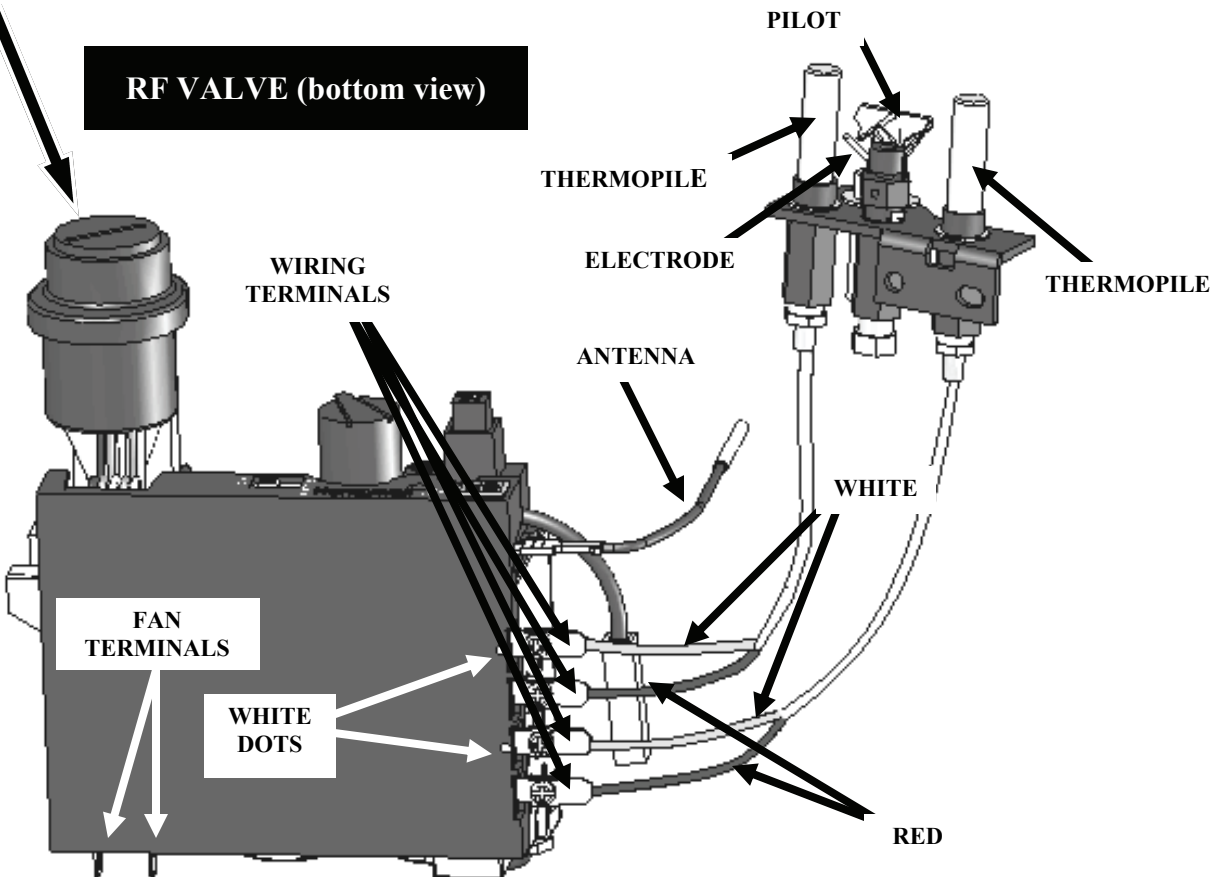
CAUTION: A LOW PRESSURE READING CAN CAUSE DELAYED IGNITION



56701-RF VALVE & PILOT ASSEMBLY COMPONENTS



RF VALVE (bottom view)



56701-RF LIGHTING AND SHUTDOWN

FOR YOUR SAFETY - READ BEFORE LIGHTING



WARNING: IF YOU DO NOT FOLLOW THESE INSTRUCTIONS EXACTLY, A FIRE OR EXPLOSION MAY RESULT, CAUSING PROPERTY DAMAGE, PERSONAL INJURY OR LOSS OF LIFE.

DUE TO HIGH SURFACE TEMPERATURES, KEEP CHILDREN, CLOTHING AND FURNITURE AWAY.

This appliance needs fresh air for safe operation and must be installed so there are provisions for adequate combustion and ventilation air.

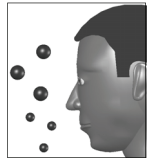
1. This appliance has a pilot which must be lighted by hand. When lighting the pilot, follow these instructions exactly.
2. **BEFORE LIGHTING**, smell all around the appliance for gas. Be sure to smell next to the floor because some gas is heavier than air and will settle on the floor.
3. Use only your hand to push in or turn the gas control knob. Never use tools. If the knob will not push in, or turn by hand, do not try to repair it, call a qualified service technician. Forced or attempted repair may result in a fire or explosion, and loss of warranty.
4. Do not use this appliance if any part has been under water. Immediately call a qualified service technician to inspect the appliance and to replace any part of the control system which has been under water.



DO NOT STORE OR USE GASOLINE OR OTHER FLAMMABLE VAPORS AND LIQUIDS IN THE VICINITY OF THIS OR ANY OTHER APPLIANCE.

WHAT TO DO IF YOU SMELL GAS:

- * Do not touch any electrical switches
- * Do not try to light any appliance
- * Do not use the phone in your building
- * Immediately call your gas supplier from a neighbor's phone
- * Follow the gas supplier's instructions
- * If you cannot reach your gas supplier, call the fire department



WARNING: CHILDREN AND ADULTS SHOULD BE ALERTED TO THE HAZARDS OF HIGH SURFACE TEMPERATURES AND SHOULD STAY AWAY TO AVOID BURNS OR CLOTHING IGNITION. YOUNG CHILDREN SHOULD BE CAREFULLY SUPERVISED WHEN THEY ARE IN THE SAME ROOM AS THE APPLIANCE. CLOTHING OR OTHER FLAMMABLE MATERIAL MUST NOT BE PLACED ON OR NEAR THE APPLIANCE.



NOTE: A PAINT SMELL WILL OCCUR DURING THE FIRST FEW HOURS OF BURNING. IT IS RECOMMENDED TO LEAVE THE FAN OFF DURING THIS PERIOD TO HELP SPEED THE PAINT CURING PROCESS.

NOTE: THIS FIREPLACE MAY PRODUCE NOISES OF VARYING DEGREE AS IT HEATS AND COOLS DUE TO METAL EXPANSION AND CONTRACTION. THIS IS NORMAL AND DOES NOT AFFECT THE PERFORMANCE OR LONGEVITY OF THE FIREPLACE.

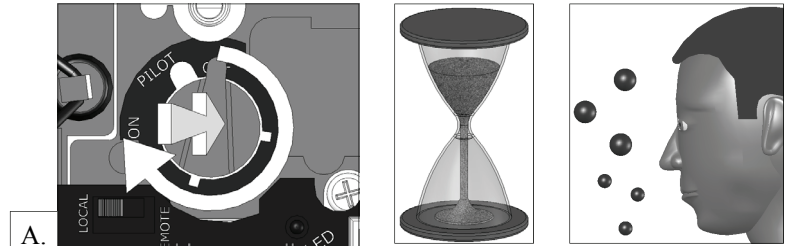
56701-RF LIGHTING AND SHUTDOWN (cont.)

LIGHTING

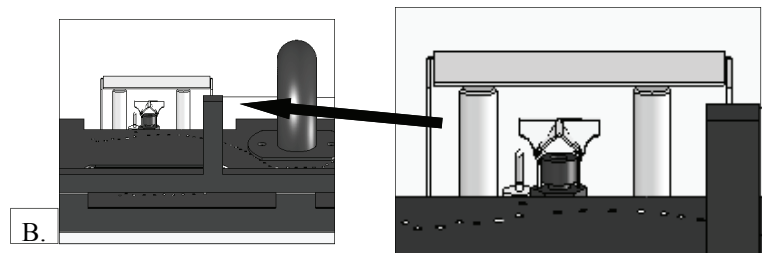
1. Turn off all electrical power to the appliance. (Fan).
2. Open lower grill to access the gas valve & controls.

5 MINUTES

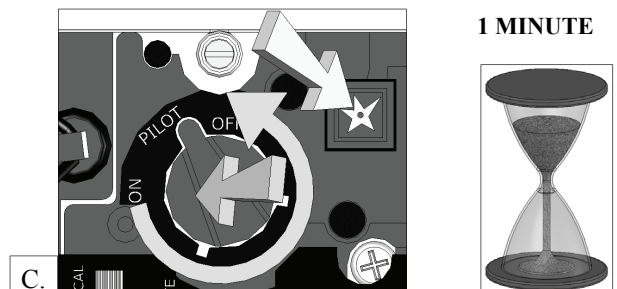
- A. Push control knob in slightly and turn clockwise to the **OFF** position. Wait five (5) minutes to clear out any gas. If you then smell gas, **STOP!** Follow the safety information on the previous page and on the front cover of this installation manual. If you don't smell gas, go to the next step.



- B. Locate pilot. The pilot is located inside the combustion chamber.



- C. Push the control knob on the gas valve in slightly and turn counterclockwise to **PILOT**. Push the control knob all the way in and hold. Push the plunger on the piezo ignitor until the pilot is lit. The pilot will generally light within two or three pushes on the piezo ignitor. Hold the knob for about one (1) minute after the pilot is lit. Release knob and it will pop back out. Pilot should remain lit. If it goes out, repeat steps A-C.

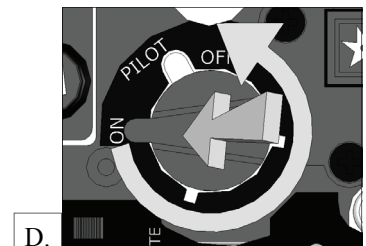


CAUTION: If knob does not pop up when released, stop and immediately call your service technician or the gas supplier. If the pilot will not stay lit after several tries, turn the gas control knob to OFF and call your service technician or the gas supplier.



NOTE: Gas control knob cannot be turned from "PILOT" to "OFF" unless knob is pushed in slightly. Do not force.

- D. Push the control knob on the gas valve in slightly and turn counterclockwise to the **ON** position.



NOTE: If the manual switch is in the LOCAL position, the main burner will turn on immediately.



NOTE: When the fireplace is initially lit, condensation will appear on the glass; this is normal in all gas fireplaces and will disappear after several minutes.

56701-RF LIGHTING AND SHUTDOWN (cont.)

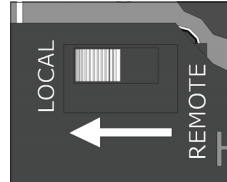
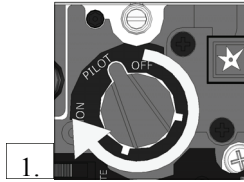
INITIAL USE OF TRANSMITTER



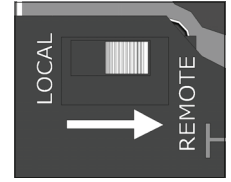
IMPORTANT:

On the initial use of the transmitter, a recognition operation is required between the receiver / valve and the transmitter.

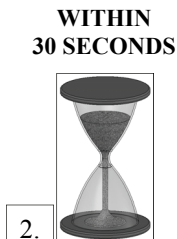
1. Turn gas control knob to the **PILOT** position. Move **LOCAL / REMOTE** switch to the **LOCAL** position for at least two (2) seconds, then move switch to the **REMOTE** position.



2 SECONDS



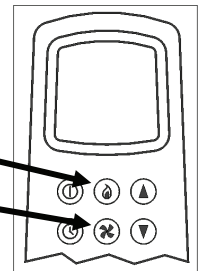
2. Press **FAN** or **FLAME** button on the transmitter within thirty (30) seconds of the switch change.



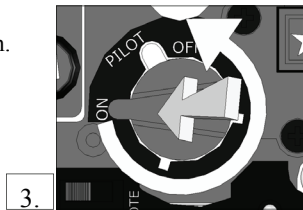
PRESS



OR



3. Turn gas control knob to the **ON** position.



The **LED** will blink, indicating that the transmitter will now work with the receiver / valve. If the switch stays in the **REMOTE** position, the TR8220A Transmitter will control the main valve, flame modulation level and fan control.

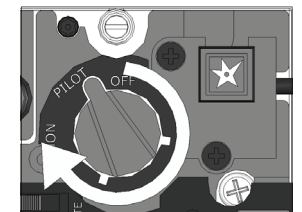
If the **LOCAL / REMOTE** switch is in the **LOCAL** position, the receiver / valve will be at the highest setting.



TURN THE BURNER OFF

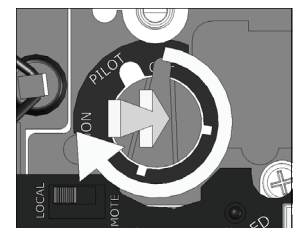
LOCAL SETTING: Turn control knob clockwise to the **PILOT** position.

REMOTE SETTING: The TR8220A transmitter can shut off the main burner and fan. However, the control is still 'ON' and a command from the transmitter can turn on the main burner and fan.



TURN THE SYSTEM OFF

1. Open lower grill to access the gas valve & controls.
2. Turn gas control knob clockwise to the **OFF** position. This closes the main gas and safety valves. The transmitter cannot turn on the main burner or the fan.



NOTE: If the manual switch is in the **LOCAL** position, the main burner will turn on immediately.



NOTE: This control valve has an interlock device. If pilot has been turned off, it cannot be relit until the thermocouple has cooled, (approximately 60 seconds).

PRESSURE TESTING (56701-RF)



IMPORTANT NOTICE: Pressure check taps for the manifold (outgoing) and inlet (incoming) pressure have been incorporated into the valve. The pressure tap marked 'OUT' measures outgoing pressure and the pressure tap marked 'IN' measures incoming pressure. Follow instructions below for proper testing procedures.



NOTE: The appliance and its individual shutoff valve must be disconnected from the gas supply piping system during any pressure testing of that system at pressures in excess of ½ psi.

NOTE: The appliance must be isolated from the gas supply piping system by closing its individual manual shut-off valve during any pressure testing of the gas line at test pressures equal to or less than ½ psi (3.5 kPa).

INLET PRESSURE TEST:

1. Loosen inlet ('IN') pressure tap screw (counter-clockwise).
2. Attach manometer using a 1/4" I.D. hose.
3. Light pilot.
4. Turn gas control knob to 'ON'. Note manometer reading.
5. Turn gas control knob to 'OFF'.
6. Disconnect hose and tighten screw (clockwise). Screw should be snug, do not over tighten.
9. Relight pilot and turn gas control knob to 'ON'. Reattach manometer to inlet pressure tap to verify that it is completely sealed.



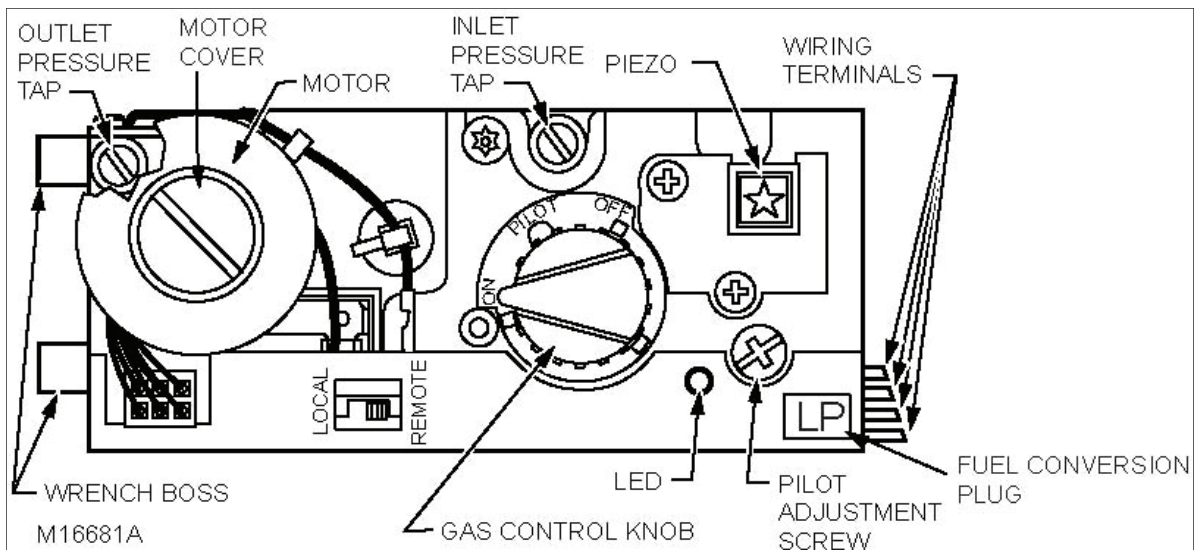
NOTE: If inlet pressure reading is too high or too low, contact the gas company. Only a qualified gas service technician should adjust the incoming gas pressure.

MANIFOLD PRESSURE TEST:

1. Light pilot.
2. Loosen manifold ('OUT') pressure tap screw (counter-clockwise).
3. Attach manometer to pressure tap using a 1/4" I.D. hose.
4. Turn gas control knob to 'ON'. Note manometer reading.
5. Disconnect manometer hose and tighten screw (clockwise). Screw should be snug, do not over tighten.
6. Attach manometer to manifold pressure tap to verify that it is completely sealed. Manometer should read no pressure.



CAUTION: A LOW PRESSURE READING CAN CAUSE DELAYED IGNITION



56701-RF REMOTE RECEIVER FUNCTIONS



IMPORTANT: PLEASE REVIEW AND RETAIN THE INSTRUCTIONS INCLUDED WITH THE RF TRANSMITTER. IT PROVIDES ADDITIONAL INFORMATION AND DETAILS CONCERNING THE OPERATIONAL PROCEDURES AND FUNCTIONS FOR THE RF REMOTE CONTROL.

FUNCTIONS:

- Flame powered system.
- Flame powered flame modulation.
- Electronics integrated into valve to provide thermostat, flame, and fan functions with RF commands.
- Temperature compensated RF receiver.
- Main burner runs on 'HIGH' when manual switch is set to 'LOCAL'.

TRANSMITTER SIGNAL:

- When transmitter is in Auto mode, a signal is sent every 10 minutes if there is a change in room temperature.
- When transmitter is in 'ON' or 'OFF' modes, a signal is sent every 10 minutes with the 'ON' or 'OFF' status condition.
- Make sure antennae is not touching metal.

RECEIVER SHUTDOWN OF BURNER:

- In the remote 'AUTO' mode, the valve shuts off if it does not receive a signal within 3 hours from the transmitter.
- In the 'LOCAL' mode, the valve does not shut off.
- In the remote 'MANUAL' mode, the valve shuts off if it does not receive a signal within 6 hours from the transmitter.

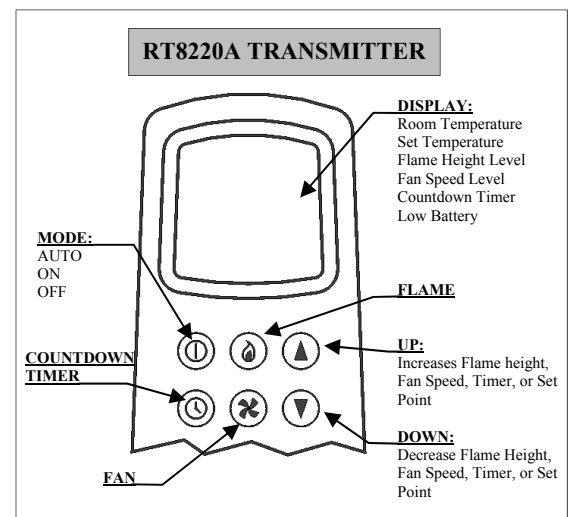
THERMOPILES:

- The negative leads (white) must be connected to the terminals marked with white dots.

LED TROUBLESHOOTING:

- In normal operation, LED blinks once every two seconds; also, LED will be on for one second after every valid command received by the RV83110D; these are not error codes.
- Failure codes (see table) can occur anytime after the pilot burner is lit. Failure code timing is 1/4 second on, 1/2 second off.
- Sequence is failure code followed by LED not blinking for four seconds.
- In the event of multiple failure codes, the next failure code follows the previous code failure by approximately three seconds.

Code	Service Action
8	Replace valve
7	Confirm stepper motor connection exists
4	Fuel conversion plug missing or has poor connection (RV8310E only)
3	Replace thermopile with Q313
2	Device too hot. Check application
1	None required. This is normal operation and indicates the control is powered



56701-RF REMOTE RECEIVER FUNCTIONS (cont.)

FIRST USE OF TRANSMITTER:

<u>STATUS</u>		<u>ACTION</u>
Begin communication between transmitter and receiver / valve.		Move LOCAL/REMOTE Switch to LOCAL position for at least two seconds; then move switch to the REMOTE position.
Transmit unique code.		Press Fan or Flame key within 30 seconds.
Confirm recognition between transmitter and receiver valve.		Observe LED turns on for one second.
Chose REMOTE or LOCAL operation.		Move LOCAL/REMOTE switch to LOCAL or leave in REMOTE.

OPERATION IN THE REMOTE POSITION:

AUTO Mode

With the control in the AUTO mode, the flame in the main burner will turn on, off, or change height based on the heat needed to maintain the set temperature.

<u>STATUS</u>		<u>ACTION</u>
Set to AUTO.		Press MODE button until mode is AUTO.
Change set temperature.		Press UP or DOWN key to change temperature.
Flame.		Automatically changes.
Fan.		Automatically changes.
To set Delay Timer.		Press TIME key followed by either UP or DOWN arrow key.



CAUTION: PROPERTY DAMAGE HAZARD. Excessive heat can cause property damage. In AUTO Mode, the main burner will cycle indefinitely to maintain the set temperature. Keep the transmitter in a heated living space to make sure the main burner is not on continuously.

ON Mode

With the control in the ON mode, the flame and fan levels and the delay timer are changed with the UP and DOWN arrow keys.

<u>STATUS</u>		<u>ACTION</u>
Set to ON.		Press MODE button until mode is ON.
Flame.		Press FLAME button and press UP or DOWN arrow keys to change flame height.
Fan.		Press FAN button and press UP or DOWN arrow keys to change fan speed.
Delay Time.		Press DELAY TIMER button and press UP or DOWN key to change timer.
OFF Mode The flame in the main burner will turn off and the room temperature will be displayed in the remote window.		Press MODE until mode is OFF.

Operation in the LOCAL Mode. NOTE: Remote/Local switch on the receiver/valve must be in the LOCAL position.

FAN Flame height and fan speed both go to the highest position.		In LOCAL mode, to turn fan ON/OFF, rotate manual knob from ON to PILOT position.
---	--	--

OTHER FUNCTIONS:

Change between Fahrenheit and Celsius temperature units.		Press UP and DOWN arrow keys at the same time and hold for at least three seconds.
Fan override during AUTO Mode.		Press FAN button, and press UP or DOWN arrow key to change the fan speed.
Disable/enable thermostat function in the AUTO Mode.		Press the TIME, DOWN and FLAME arrow keys at the same time and hold for at least three seconds.

FINALIZING THE INSTALLATION

FLAME APPEARANCE:

Flame appearance is affected by several factors including altitude, venting configuration and fuel quality. Although the venturi setting has been factory set, adjustments may be necessary for optimal performance and visual aesthetics.

When fireplace is first lit, the flames will be blue. The flames will gradually turn yellowish-orange during the first 15 minutes of operation. If the flames remain blue or the flames become dark orange with evidence of sooting (black tips), the burner tube venturi may need to be adjusted.



WARNING: BURNER TUBE ADJUSTABLE VENTURI POSITIONING SHOULD ONLY BE PERFORMED BY A QUALIFIED PROFESSIONAL SERVICE TECHNICIAN.

FACTORY SET BURNER TUBE VENTURI SETTINGS (ADJUST AS NECESSARY FOR YOUR INSTALLATION)

NATURAL GAS	LP (PROPANE) GAS
1/8" (3 mm) OPEN	5/8" (16 mm) OPEN

BURNER TUBE VENTURI ADJUSTMENT GUIDELINES

VENTURI POSITION	FLAME COLOR	VENTURI ADJUSTMENT
Closed too far	Dark orange flame with black tips	Open venturi setting slightly
Open too far	Blue flames	Close venturi setting slightly



NOTE: IF SOOT IS PRESENT, CHECK LOG POSITIONING BEFORE ADJUSTING BURNER VENTURI. LOGS MUST NOT BLOCK BURNER PORTS.



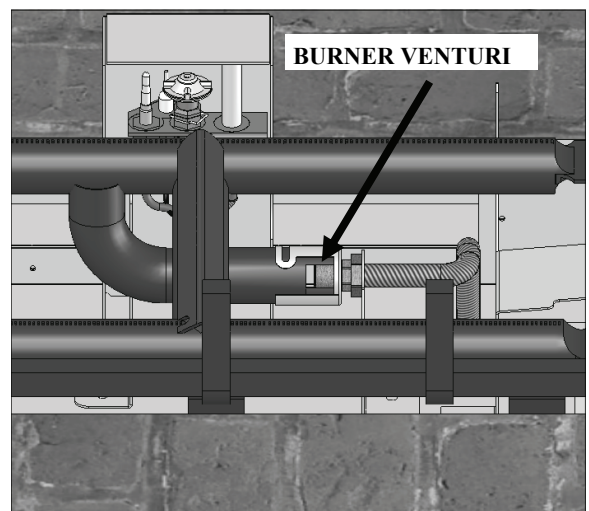
IMPORTANT: SLIGHT ADJUSTMENTS TO THE BURNER VENTURI OPENING CREATE DRAMATIC RESULTS. ADJUST AT SLIGHT INCREMENTS UNTIL DESIRED LOOK IS ACHIEVED. ALWAYS BURN FIREPLACE FOR AT LEAST 15 MINUTES AND ALLOW TIME TO COOL BEFORE MAKING ANY FURTHER ADJUSTMENTS.

TO ADJUST VENTURI:



WARNING: TO AVOID PROPERTY DAMAGE OR PERSONAL INJURY, ALLOW FIREPLACE AMPLE TIME TO COOL BEFORE MAKING ANY ADJUSTMENTS.

1. Remove upper louver and hood. Refer to page 37.
2. Remove glass frame assembly. Refer to page 14.
3. Remove log set.
4. Remove burner tube.
5. Loosen screw on burner venturi and adjust as necessary. Tighten screw.
6. Reinstall all components previously removed.
7. Light fireplace and wait 15 minutes before determining if any further adjustments are needed.



FINALIZING THE INSTALLATION

RESTRICTOR USAGE:

Turn the fireplace on and allow to burn for 15 minutes. If flames indicate there is excessive draft (flickering, short flames) or insufficient draft (lifting or ghosting flames) a restrictor may be necessary, or the previously installed restrictor may need to be modified or removed.



WARNING: TO AVOID PROPERTY DAMAGE OR PERSONAL INJURY, ALLOW FIREPLACE AMPLE TIME TO COOL BEFORE MAKING ANY ADJUSTMENTS AND / OR INSTALLATIONS.

RESTRICTOR TROUBLESHOOTING

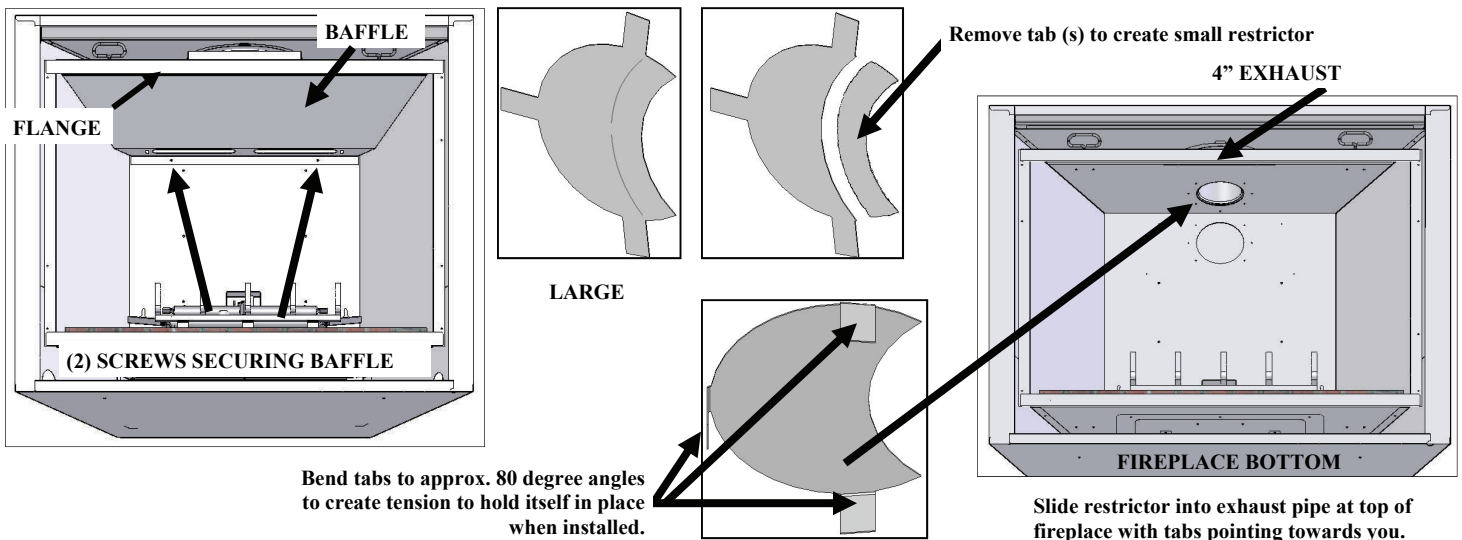
FLAME APPEARANCE	DRAFT PROBLEM	RESTRICTOR SOLUTION
Short, flickering	Excessive draft - not enough restriction	Add restrictor
Lifting or ghosting*	Insufficient draft - too much restriction	Remove inner ring (s) on restrictor or remove restrictor

* Improper venting installation may cause flames to lift or “ghost” - a dangerous situation. Inspect flames after installation to ensure proper performance. If it is determined that the venting is correct and the restrictor has been removed, yet the flames are still lifting or ghosting, shut off gas supply to fireplace and call a qualified service technician.

RESTRICTOR INSTALLATION / MODIFICATION (after termination completion):

If it is determined that a restrictor is needed or restrictor modification is required after the termination is installed, access can be reached through the fireplace baffle. Please remove logs and optional refractory (if installed) to avoid damaging these components.

1. Remove the (2) screws securing baffle. Remove baffle to expose venting.
2. Depending on your specific needs, determined by the chart above along with other factors, make necessary modifications.
3. If installation of a restrictor (included in fireplace components packet) is necessary, bend tabs on restrictor to approx. 80 degree angles to create tension when inserted into the exhaust pipe on fireplace. Insert restrictor into 4” exhaust pipe with tabs pointing towards you.
4. If modification is necessary, remove restrictor by pulling it down and out of 4” exhaust pipe.
5. Reinstall baffle by resting baffle front above flange along inside top of firebox opening. Tip baffle back against rear firebox wall. Secure with the (2) screws previously removed.
6. Reinstall optional refractory set (if applicable), and log set.
7. Attach glass frame assembly and light fireplace. Wait 15 minutes before determining if any further modifications are necessary.



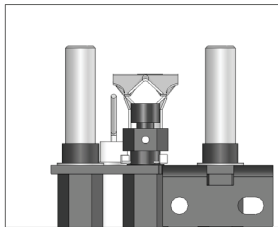
MAINTENANCE

The appliance is required to be inspected at least once a year by a professional service person.

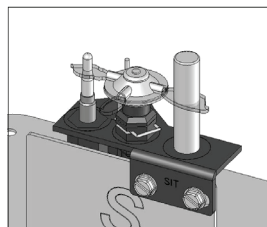
The compartment below the firebox (behind the lower grill) must be cleaned at least once a year, more frequent cleaning may be required due to excessive lint from carpeting, bedding materials, or other fibrous materials. It is imperative that the burner be cleaned once a year.



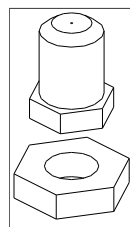
NOTE: INSTALLATION AND REPAIR SHOULD BE DONE ONLY BY QUALIFIED SERVICE PERSON. THE APPLIANCE SHOULD BE INSPECTED BEFORE USE AND ANNUALLY BY A QUALIFIED SERVICE PERSON. MORE FREQUENT CLEANING MAY BE REQUIRED DUE TO EXCESSIVE LINT FROM CARPETING, BEDDING MATERIALS, ETC. IT IS IMPERATIVE THAT CONTROL COMPARTMENTS, BURNERS AND CIRCULATION AIR PASSAGEWAYS OF THE APPLIANCE BE KEPT CLEAN.



56701-RF Pilot



56701 Pilot



Burner Orifice

FAN

The fan should be disconnected from electrical current, and cleaned (vacuumed) every six months. The bearings are sealed and require no oiling.

VENT SYSTEM

Annual examination of the venting system by a qualified agency is required.

IF THE VENT-AIR INTAKE SYSTEM IS DISASSEMBLED FOR ANY REASON, RE-INSTALL PER THE INSTRUCTIONS PROVIDED WITH THE INITIAL INSTALLATION.

The flow of combustion and ventilation air must not be obstructed.



IMPORTANT: ANY SAFETY SCREEN OR GUARD REMOVED FOR SERVICING MUST BE REPLACED PRIOR TO OPERATING THE APPLIANCE.



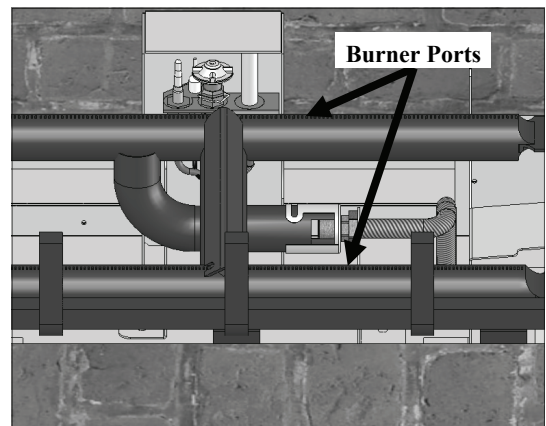
CAUTION: LABEL ALL WIRES PRIOR TO DISCONNECTION WHEN SERVICING CONTROLS. WIRING ERRORS CAN CAUSE IMPROPER AND DANGEROUS OPERATION. VERIFY PROPER OPERATION AFTER SERVICING.



CAUTION: KEEP THE APPLIANCE AREA CLEAR OF COMBUSTIBLE MATERIALS, SUCH AS GASOLINE AND OTHER FLAMMABLE VAPORS AND LIQUIDS.

MILLIVOLT BOARD SYSTEM

- Annual cleaning of the burner system is required.
- The burner/heat shield assembly may be removed for easier access. Refer to pages 35-36 in this installation manual for complete instruction on removing & reinstalling the burner / heat shield assembly.
- Visually check for blocked port holes, especially near the pilot. Blocked port holes may cause delayed ignition.
- Reinstall the burner/heat shield assembly following instructions on page 36 of this installation manual.
- Visually check pilot light and burner when in operation. The flames should be steady, not lifting or floating.



GLASS CLEANING & REPLACEMENT

- Clean glass only when cool and only with non-abrasive cleansers.
- Do not operate this fireplace with the glass/frame assembly removed, cracked or broken.
- The glass assembly, part #TRF-057T, shall only be replaced as a complete unit, as supplied by Hussong Mfg. Co., Inc.
- Replacement of the glass & frame assembly, part #TRF-057T, must only be performed by a licensed or qualified service person. **DO NOT SUBSTITUTE MATERIALS.**
- Do not strike or slam glass door assembly.

TROUBLESHOOTING (56701 only)



CAUTION: THE FOLLOWING MUST BE PERFORMED BY A QUALIFIED TECHNICIAN

NO SPARK FROM ELECTRODE TO PILOT WHEN PIEZO BUTTON IS TRIGGERED.

- A. Check wiring at back of piezo for proper connection.**
- B. Check wiring at electrode for proper connection.**
- C. Check position of electrode (1/8" (3 mm) between electrode and pilot). Readjust if necessary.**
- D. Look for arc below electrode and along electrode wire. Direct metal contact may cause an arc below electrode.**

SPARK IGNITOR WILL NOT LIGHT AFTER REPEATED TRIGGERING OF PIEZO BUTTON.

- A. No gas or low gas pressure.**
 - ◆ Check remote shut off valves from fireplace. Usually there is a valve near the main. There may be more than (1) valve between the fire place and the main.
 - ◆ Low gas pressure can be caused by several situations such as a bent line, too narrow diameter pipe, or low line pressure. Consult with plumber or gas supplier.
- B. No LP in tank.**
 - ◆ Check LP (propane) tank. Refill if necessary.

PILOT WILL NOT STAY LIT AFTER CAREFULLY FOLLOWING LIGHTING INSTRUCTIONS.

- A. Check that pilot flame impinges on thermocouple. Clean and / or adjust pilot for maximum flame impingement.**
- B. Ensure the thermocouple connection at gas valve is fully inserted and tight (hand tight plus 1/4 turn).**
- C. Thermocouple reading below 15 millivolts.**
 - ◆ Disconnect thermocouple from valve, place one millivolt meter lead wire on the end of the thermocouple and the other millivolt meter lead wire on the thermocouple's copper wire. Start pilot while holding valve knob in. If the millivolt reading is less than 15 millivolts, replace the thermocouple.
- D. Thermopile not generating sufficient millivolts.**
 - ◆ Pilot flame must be enveloping thermopile. Adjust pilot flame if necessary.
 - ◆ Check thermopile wire connections at valve. Tighten if necessary.
 - ◆ Check thermopile with millivolt meter. Turn remote / thermostat / wall switch or ON/OFF switch to OFF. Turn valve knob to PILOT position (pilot should remain lit). Take reading at THTP & TP terminals on gas valve. Reading should be 350 millivolts minimum. Replace thermopile if reading falls below specified minimum.

TROUBLESHOOTING (56701 only)

BURNER WILL NOT LIGHT

- A. Gas control knob not turned to 'ON'.
- B. 'ON'/'OFF' switch not turned on.
- C. Remote, wall switch or thermostat not turned 'ON'.
- D. Plugged main burner orifice.
- E. Remote, wall switch ,thermostat or 'ON/ OFF' switch wires defective.
 - ◆ Check wires for proper connections. Place jumper wires across terminal at switch. If burner lights, replace defective switch.
 - ◆ If switch checks ok, place jumper wires across switch wires on gas valve. If burner lights, wires are faulty or connections are bad.

FREQUENT PILOT OUTAGES

- A. Pilot shield not installed.
- B. Pilot flame too high or too low, causing pilot safety to drop out.
 - ◆ Clean and adjust flame for maximum flame impingement on thermopile.

BURNER WON'T STAY LIT

- A. Thermopile wires loose at valve terminals.
 - ◆ Tighten if necessary.
- B. Thermopile wires ground out due to pinched wires.
 - ◆ Free pinched wires if necessary.
- C Refractory panel placement (if installed).
 - ◆ Refractory panels must be tight against firebox walls. It may be necessary to secure panels with high-temp sealant, especially around the intake duct.

MORE 56701 TROUBLESHOOTING ON FOLLOWING PAGE

TROUBLESHOOTING (56701 only)

PILOT AND BURNER EXTINGUISH WHILE IN OPERATION

A. No LP (propane) in tank.

- ◆ Check tank and refill if necessary.

B. Glass frame assembly not installed correctly.

- ◆ Refer to page 14 in this manual for proper glass frame assembly installment instructions.

C. Defective thermopile or thermocouple.

- ◆ Check thermopile and thermocouple for proper millivolts.

D. Improper pitch on horizontal vent.

- ◆ 1/4" (6 mm) rise per foot is required on horizontal venting.

E. Inner vent pipe leaking exhaust gases back into firebox.

- ◆ Check for leaks. Repair if necessary.

F. Improper vent cap installation.

- ◆ Check for proper vent cap installation. Maximum downward slope of horizontal vent cap is 1/4" (6 mm). Adjust if necessary.
- ◆ Check vent cap for blockage. Remove debris if necessary.

G. Excessive draft.

GLASS SOOTING

A. Improper log placement.

- ◆ Refer to log placement instructions on pages 32-34 of this installation manual.

B. Improper venturi setting.

- ◆ Venturi may need to be opened slightly to allow more air into the gas mix.

C. Improper pitch on horizontal venting.

- ◆ 1/4" (6 mm) rise per foot is required on horizontal venting.

FLAME BURNS BLUE AND LIFTS OFF BURNER

A. Improper Venturi setting.

- ◆ Venturi may need to be closed slightly.

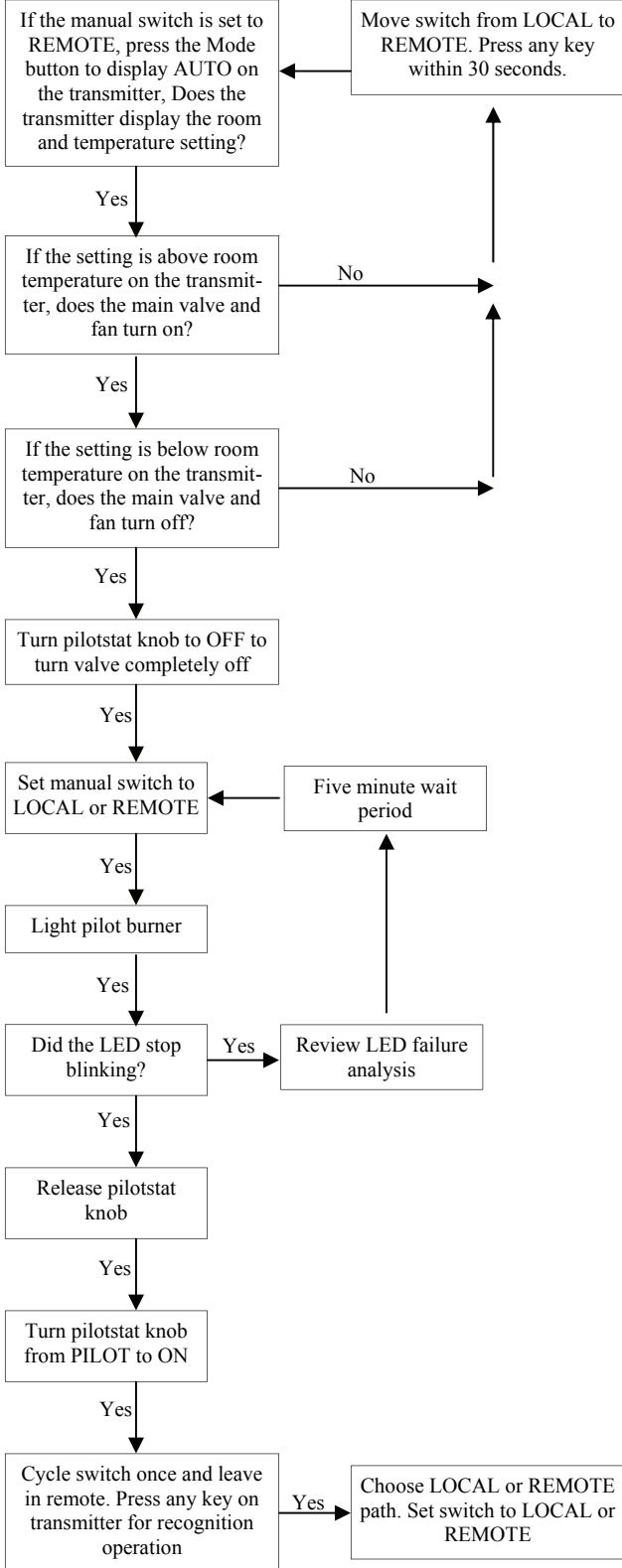
B. Improper vent cap installation.

- ◆ Check for proper vent cap installation.

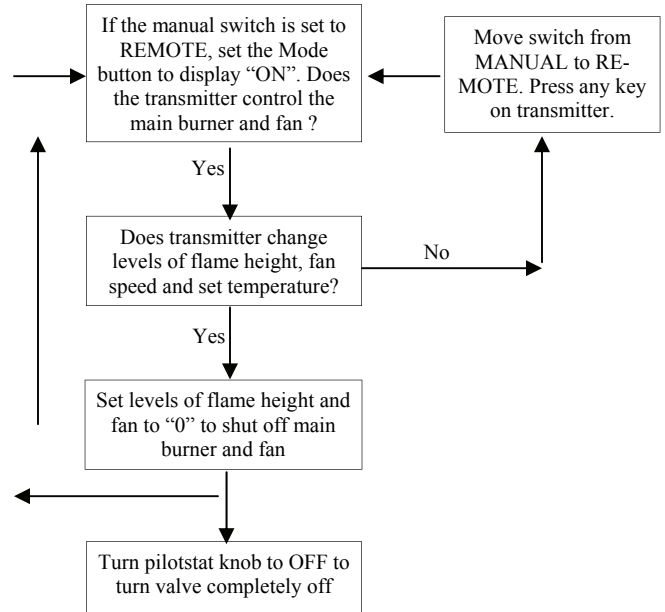
C. Blockage or vent system leaks.

RF REMOTE TROUBLESHOOTING (56701-RF only)

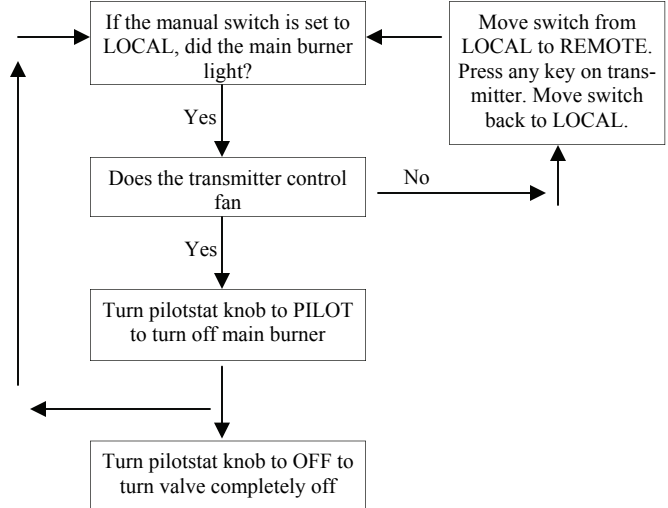
AUTO PATH



REMOTE PATH



LOCAL PATH



TROUBLESHOOTING (56701-RF only)



CAUTION: THE FOLLOWING MUST BE PERFORMED BY A QUALIFIED TECHNICIAN

NO SPARK FROM ELECTRODE TO PILOT WHEN PIEZO BUTTON IS TRIGGERED.

- A. Check piezo wiring for proper connection.**
- B. Check position of electrode (1/8" (3 mm) between electrode and pilot). Readjust if necessary.**
- C. Look for arc below electrode and along electrode wire. Direct metal contact may cause an arc below electrode.**

SPARK IGNITOR WILL NOT LIGHT AFTER REPEATED TRIGGERING OF PIEZO BUTTON.

- A. No gas or low gas pressure.**
 - ◆ Check remote shut off valves from fireplace. Usually there is a valve near the main. There may be more than (1) valve between the fireplace and the main.
 - ◆ Low gas pressure can be caused by several situations such as a bent line, too narrow diameter pipe, or low line pressure. Consult with plumber or gas supplier.
- B. No LP in tank.**
 - ◆ Check LP (propane) tank. Refill if necessary.

PILOT WILL NOT STAY LIT AFTER CAREFULLY FOLLOWING LIGHTING INSTRUCTIONS.

- A. Check that pilot flame impinges on thermopiles. Clean and / or adjust pilot for maximum flame impingement.**
- B. Ensure the thermopile connections at gas valve are properly connected. The negative leads (white) must be connected to the terminals with the one white dot next to them.**

BURNER WILL NOT LIGHT

- A. Gas control knob not turned to 'ON'.**
- B. Plugged main burner orifice.**

FREQUENT PILOT OUTAGES

- A. Pilot shield not installed.**
- B. Pilot flame too high or too low, causing pilot safety to drop out.**
 - ◆ Clean and adjust flame for maximum flame impingement on thermopiles.

FLAME BURNS BLUE AND LIFTS OFF BURNER

- A. Improper Venturi setting.**
 - ◆ Venturi may need to be closed slightly.
- B. Improper vent cap installation.**
 - ◆ Check for proper vent cap installation.
- C. Blockage or vent system leaks.**

TROUBLESHOOTING (56701-RF only)

BURNER WON'T STAY LIT

A. Thermopile wires loose at valve terminals.

- ◆ Adjust if necessary.

B. Thermopile wires ground out due to pinched wires.

- ◆ Free pinched wires if necessary.

C. Refractory panel placement (if installed).

- ◆ Refractory panels must be tight against firebox walls. It may be necessary to secure panels with high-temp sealant, especially around the intake duct.

PILOT AND BURNER EXTINGUISH WHILE IN OPERATION

A. No LP (propane) in tank.

- ◆ Check tank and refill if necessary.

B. Glass frame assembly not installed correctly.

- ◆ Refer to page 14 in this manual for proper glass frame assembly installment instructions.

C. Improper pitch on horizontal vent.

- ◆ 1/4" (6 mm) rise per foot is required on horizontal venting.

D. Inner vent pipe leaking exhaust gases back into firebox.

- ◆ Check for leaks. Repair if necessary.

E. Improper vent cap installation.

- ◆ Check for proper vent cap installation. Maximum downward slope of horizontal vent cap is 1/4" (6 mm). Adjust if necessary.
- ◆ Check vent cap for blockage. Remove debris if necessary.

F. Excessive draft.

GLASS SOOTING

A. Improper log placement.

- ◆ Refer to log placement instructions on pages 32-34 of this installation manual.

B. Improper venturi setting.

- ◆ Venturi may need to be opened slightly to allow more air into the gas mix.

C. Improper pitch on horizontal venting.

- ◆ 1/4" (6 mm) rise per foot is required on horizontal venting.

REPLACEMENT PARTS LIST

Replacement parts are available through your local dealer. Contact them for availability and pricing.

56701 MILLIVOLT BOARD AND PARTS

TRF-770	TRF Millivolt Board - Nat Gas	700-098	Pilot Hood
TRF-771	TRF Millivolt Board - LP Gas	700-203	Manual Shut-off Valve
700-023	On/Off Rocker Switch	700-213	18" Flexible Gas Line-Black
700-086N	S.I.T. Valve - Natural Gas	700-226	12" Flexible Gas Line-Valve to Burner Connection
700-087	S.I.T. Valve - LP Gas	700-238	Natural Gas Orifice #38
700-088	Pilot / Generator / Thermocouple - Nat Gas	700-625	LP Gas Orifice 1/16" (.0625)
700-089	Pilot / Generator / Thermocouple - LP Gas	OCK-S38A	Natural Gas Conversion Kit
700-090	Piezo Igniter w/ Wire	OCK-S625A	LP Gas Conversion Kit
700-091	Flexible Pilot Tubing (Valve to Pilot)	TRF-035	Burner Tube
700-092	Millivolt Generator	TRF-35	Burner Plate
700-093	Thermocouple	TRF-043	Pilot Shield
700-094	Pilot Orifice - Natural Gas		
700-095	Pilot Orifice - LP Gas		

56701 - RF MILLIVOLT BOARD AND PARTS

TRF-800RF	TRF-RF Millivolt Board - Natural Gas	700-098	Pilot Hood
700-107	Honeywell RF Valve - Natural Gas	700-203	Manual Shut-off Valve
700-108	Remote Control - RF Valve	700-213	18" Flexible Gas Line- Black
700-109	Honeywell RF Pilot Assembly	700-238	Natural Gas Orifice: #38
700-060	Flexible Pilot Tubing (Valve to Pilot)	700-625	LP Gas Orifice 1/16" (.0625)
700-083	Piezo Igniter w/ Wire	OCK-H38N-RF	Natural Gas Conversion Kit
700-092	Millivolt Generator	OCK-H625L-RF	LP Gas Conversion Kit
700-203	Manual Shut-off Valve	TRF-035	Burner Tube
700-213	18" Flexible Gas Line - Black	TRF-35	Burner Plate
700-226	12" Flexible Gas Line-Valve to Burner Connection	TRF-043	Pilot Shield

GLASS & GLASS GASKET

TRF-005	Replacement Valance
900-006	1-1/8" Glass Gasket w/ Adhesive
TRF-057T	Valance with 26" x 35" glass

FAN ASSEMBLIES

PRC-028-RF	Fan Assembly (RF units only)
TRF-028	Fan Assembly (non RF units only)

REFRACTORY PANELS (Sandstone)

TRF-G900	(4 pc.) Refractory Panel Set
TRF - G901	Bottom Refractory (2 pc.)
TRF-G900L	Left Side Refractory
TRF-G900R	Right Side Refractory
TRF-G902	Top Refractory Panel
TRF-900B	Back Refractory Panel

GRILL REPLACEMENT

TRF-200	Upper Hood
TRF-201	Lower Grill
TRF-200L	Upper Hood Louver

LOG SET

TRF - 500A	Log Set
T1	#1 Log
T2	#2 Log
T3	#3 Log
T6	#6 Log
T7	#7 Log
T8	#8 Log
T9	#9 Log
T11	#11 Log
T12	#12 Log
900 - KLK	Klinkers
900 - REMB	Rock Wool Embers

*Consult your dealer for information on optional accessories available for this fireplace.

This appliance tested & certified by:
OMNI - Test Laboratories, Inc.
5465 SW Western Avenue
Beaverton, Oregon 97075

Model #56701 Thief River Falls
Model #56701-RF Thief River Falls - RF
July 2008-R09

www.kozyheat.com

Manufactured by:

Hussong Mfg. Co., Inc.
204 Industrial Park Drive
Lakefield, Minnesota 56150
507-662-6641

**KOZY HEAT
LIMITED 10 YEAR WARRANTY**

Effective July 01, 2003

This Limited 10 Year Warranty will not become effective until the warranty registration form has been completed and mailed to Hussong Manufacturing Co., Inc., P.O. Box 577, Lakefield, MN 56150. This registration form must be received within 30 days of installation. Failure to do so may result in delayed warranty coverage and submission of proof of purchase will be required.

Hussong Manufacturing Co., Inc. warrants to the original purchaser of this Kozy Heat Fireplace, that it is free of defects in materials and workmanship at the time of manufacture.

Subject to the following conditions & requirements, Hussong Manufacturing Co., Inc. extends the following limited warranty under normal use and service, with respect to the Kozy Heat line of gas burning fireplaces.

YEAR 1: Subject to the conditions & requirements listed below, within the first year from date of purchase, Hussong Manufacturing Co., Inc. shall, at its discretion, replace or repair any such defect in material or workmanship, at Hussong Manufacturing Co., Inc.'s expense, including reasonable labor costs to repair or replace the defective component, if a factory pre-authorization is given for the repair.

YEARS 2 - 10: Subject to the conditions & requirements listed below, beginning with the first day of the second year and continuing through the tenth year, Hussong Manufacturing Co., Inc., will at its discretion, provide repair or replacement parts at current list prices for any defect in material or workmanship of components, including optional components and accessories (if available). Hussong Manufacturing Co., Inc. shall not be responsible for any installation, labor, transportation or other indirect costs.

LIMITATION OF LIABILITY

To make a claim under this warranty, the purchaser must first contact the dealer/installer from whom the fireplace was purchased.

This limited warranty will be void if the fireplace is not installed by a qualified installer and according to the installation instructions. Use of unauthorized components will make this warranty null and void.

This limited warranty also is void if the fireplace is not operated, at all times, according to the operating instructions furnished.

This warranty is limited to defects in material and workmanship. It does not apply to any product that has been subject to negligence, misapplication, improper installation. Remote control warranties are covered by Ambient Technologies, Inc., and are excluded from this Limited Warranty.

No person is authorized to extend the time of this warranty or to accept on Hussong Manufacturing Co., Inc.'s behalf any additional obligation of liability connected with the unit.

It is expressly agreed and understood that this warranty is Hussong Manufacturing Co., Inc.'s sole obligation and purchaser's exclusive remedy for defective fireplace equipment. Hussong Manufacturing Co., Inc. shall not be liable for any consequential, incidental or contingent damages whatsoever. The foregoing warranty is exclusive and in lieu of all other expressed warranties. Hussong Manufacturing Co., Inc. shall not be held to implied warranties, including but not limited to the implied warranties or merchantability and fitness for a particular purpose. This warranty replaces all previous warranty policies.

Some states do not allow the exclusion or limitation of incidental or consequential damages or limitations on how long an implied warranty lasts, so the above limitations or exclusions may not apply to you. This warranty gives you specific legal rights and you may also have other rights which vary from state to state.

Hussong Manufacturing Co., Inc. reserves the right to make changes at any time, without notice, in design, material, specifications and prices. Hussong Manufacturing Co., Inc. reserves the right to discontinue models and products.

WARRANTY CONDITIONS & REQUIREMENTS:

1. You are the original purchaser. This warranty is not transferable.
2. Installation of the fireplace is performed by a qualified installer.
3. Installation and operation must comply with installation and operation instructions.
4. Paint and glass gaskets are covered for 30 days from date of purchase.
5. Components broken, (including glass panels), during shipping, careless handling of components, or defects resulting from improper installation, misuse of the fireplace and components are not covered under this warranty.
6. This warranty does not cover any part of the fireplace or any components which have been exposed to or submerged under water.
7. Hussong Manufacturing Co., Inc. must be notified by the dealer the fireplace was purchased from or a qualified installer or service technician of the defect.
8. Annual service of the fireplace as required in the installation manual, is performed by a qualified installer/service technician. (Copies of such service records may be required to claim a warranty.)
9. All previous warranty/service has been performed by a qualified installer or service technician. (Copies of such service records may be required to claim a warranty.)



LIFETIME WARRANTY

THIS LIFETIME WARRANTY COVERAGE WILL BE EXTENDED AS DESCRIBED BELOW PROVIDED ALL WARRANTY CONDITIONS AND REQUIREMENTS ARE MET AS OUTLINED IN THE 10 YEAR LIMITED WARRANTY POLICY.

LIFETIME WARRANTY COVERAGE

LIFETIME WARRANTY IS EXTENDED AS FOLLOWS: Hussong Manufacturing warranties to the original purchaser that the firebox, heat exchanger, fiber logs, burner tube and glass of this Kozy Heat fireplace will not be defective in material or workmanship under normal use and service for as long as you own this product. If any of these components fail due to defects in material or workmanship under normal use and service, Hussong Manufacturing Co., Inc. will, at its sole discretion, repair or replace the defective component. This LIFETIME WARRANTY does not cover any installation, labor, transportation or other indirect costs arising from defective components.

LIMITATION OF LIABILITY

This Lifetime warranty will be void if the fireplace is not installed by a qualified installer and according to the installation instructions. Use of unauthorized components will make this warranty null and void. This lifetime warranty also is void if the fireplace is not operated, at all times, according to the operating instructions furnished. This warranty is limited to defects in material and workmanship of components specified. It does not apply to any product that has been subject to negligence, misapplication, improper installation.

No person is authorized to extend the time of this Lifetime warranty or to accept on Hussong Manufacturing Co., Inc.'s behalf any additional obligation of liability connected with the unit.

Hussong Manufacturing Co., Inc. may fully discharge all obligations with respect to this Lifetime warranty by refunding the wholesale price of the defective component(s).

It is expressly agreed and understood that this Lifetime warranty is Hussong Manufacturing Co., Inc.'s sole obligation and original purchaser's exclusive remedy for defective fireplace equipment. Hussong Manufacturing Co., Inc. shall not be liable for any consequential, incidental or contingent damages whatsoever other than those incurred by Hussong Manufacturing Co., Inc. to repair or replace the defective component. The foregoing warranty is exclusive and in lieu of all other expressed warranties. Hussong Manufacturing Co., Inc. shall not be held to implied warranties, including but not limited to the implied warranties of merchantability and fitness for a particular purpose. This lifetime warranty replaces all previous lifetime warranty policies.

Hussong Manufacturing Co., Inc. reserves the right to make changes at any time, without notice, in design, material, specifications and prices. Hussong Manufacturing Co., Inc. reserves the right to discontinue models and products.

JUNE 1998

(CUT ALONG DOTTED LINE)

TO ACTIVATE THIS LIFETIME WARRANTY COVERAGE, THIS REGISTRATION CARD MUST BE COMPLETED AND MAILED WITH YOUR COMPLETED 10 YEAR LIMITED WARRANTY FORM WITHIN 30 DAYS OF INSTALLATION.

PURCHASER'S NAME: _____

INSTALLATION DATE: _____

ADDRESS: _____

MODEL#: _____ **SERIAL #:** _____

TELEPHONE # _____

INSTALLER NAME: _____

ADDRESS: _____

TELEPHONE # _____

