



Count on it.

Parts Catalog

Groundsmaster® 4000

Rotary Mower

Model No. 30609—Serial No. 316000501 and Up



Ordering Replacement Parts

To order replacement parts, please supply the part number, the quantity, and the description of each part desired.

Understanding Reference Numbers

Each identified part in an illustration has a reference number. The reference number for a part also appears in the parts list, along with other information about the part.

This catalog uses two special reference number formats, one to indicate parts in a service assembly and another to indicate the quantity of a given part in an illustration.

Service Assembly Reference Numbers

Parts in service assemblies have reference numbers in the form a:b. The a represents the reference number of the entire service assembly and the b represents a sequential number unique to each part within the service assembly.

For example, a wheel assembly might be identified by reference number 6, the tire by 6:1, the valve by 6:2, and the wheel by 6:3. When you order the assembly identified by reference number 6, you receive all parts identified by reference numbers 6:1, 6:2, and 6:3. However, you may also order any part individually. Reference numbers of this type appear in illustration and in parts lists.

Reference Numbers Indicating Quantity

In an illustration, if a reference number indicates more than one part, the reference number has the form nX y. The n represents the quantity of the part, the X is the multiplication symbol, and the y represents the reference number.

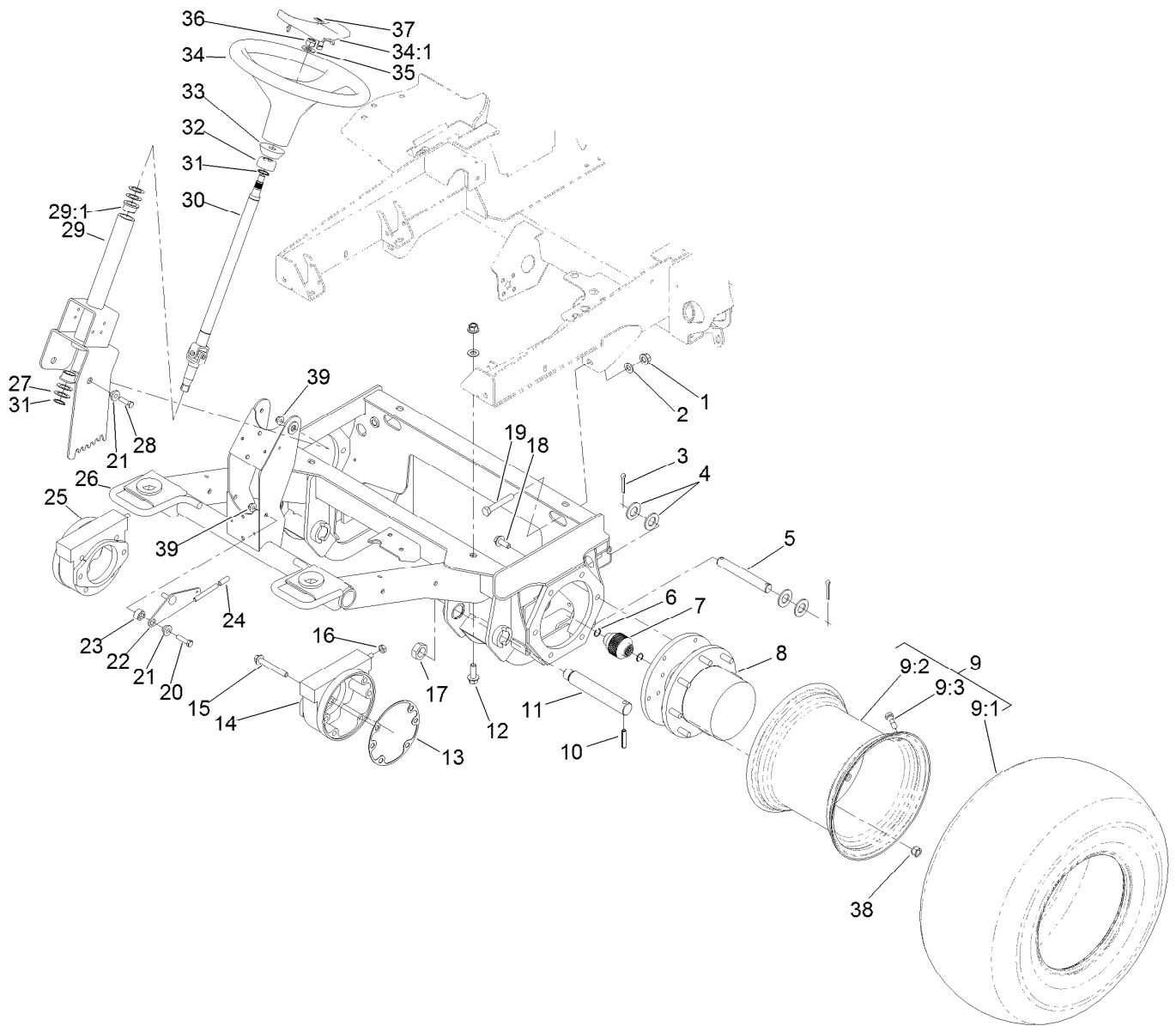
For example, in an illustration, the reference number 2X 37 means that two of the parts identified by reference number 37 are indicated.

Contents

Front Frame and Steering Assembly	5
Planetary Assembly No. 105-4500	7
Brake Assembly No. 100-3070-03	8
Brake Assembly No. 100-3069-03	9
Battery, Rear Cover and Steer Valve Mount Assembly	10
Wing Lift Arm Assembly	11
Hydraulic Cylinder Assembly No. 107-4303	13
Impact Arm Assembly	14
Frame, Bumper and Proximity Sensor Assembly	16
Flywheel and Motor Mount Assembly	17
Radiator Assembly	18
Fan Mounting and Hardline Assembly	20
Hydraulic Motor Assembly No. 117-4769	21
Engine and Controller Assembly	22
Rear Axle and Steering Cylinder Assembly	23
Bevel Pinion Shaft Assembly Rear Axle Assembly No. 110-4750	25
Differential Assembly Rear Axle Assembly No. 110-4750	26
Axle Support Assembly Rear Axle Assembly No. 110-4750	27
Bevel Gear Case Assembly Rear Axle Assembly No. 110-4750	28
Bevel Gear Shaft Assembly Rear Axle Assembly No. 110-4750	29
Axle Case Assembly Rear Axle Assembly No. 110-4750	30
Axle Assembly Rear Axle Assembly No. 110-4750	31
Hydraulic Motor Assembly No. 120-8814	32
Steering Cylinder Assembly No. 121-1534	33
Hydraulic Fitting Assembly	34
Hose and Tube Routing Assembly	35
Fuel Tank and Air Cleaner Assembly	36
Air Cleaner Assembly No. 99-5410	37
Hood Assembly	38
Fuel/Water Separator and Shield Assembly	39
Front Deck Installation Assembly	40
Hydraulic Motor Assembly No. 127-3694	42
Lift Cylinder Assembly No. 120-8802	43
Front Deck Hydraulic Fitting Assembly	44
Front Deck Hose Routing Assembly	45
Right Deck Mount Assembly	46
Right Deck Hydraulic Fitting Assembly	47
Right Deck Hose Assembly	48
Left Deck Mount Assembly	49
Left Deck Hydraulic Fitting Assembly	50
Left Deck Hose Assembly	51
Traction Pedal and Platform Assembly	52
Brake Pedal Assembly	54
Seat Base and Seat Assembly	55
Vinyl Premium Seat Assembly No. 117-5676	57
Seat Suspension Assembly No. 130-2702	58
Parking Brake, Steering Tower and Power Center Assembly	60
Fender, Tool Box and Cover Assembly	61
Fender Assembly	62
Acoustic Foam Assembly	63
Platform Wire Harness and Fuse Assembly	64
Rear Wire Harness Assembly	65
Battery Cable and Ground Assembly	66
Engine Harness Assembly	67

Contents (continued)

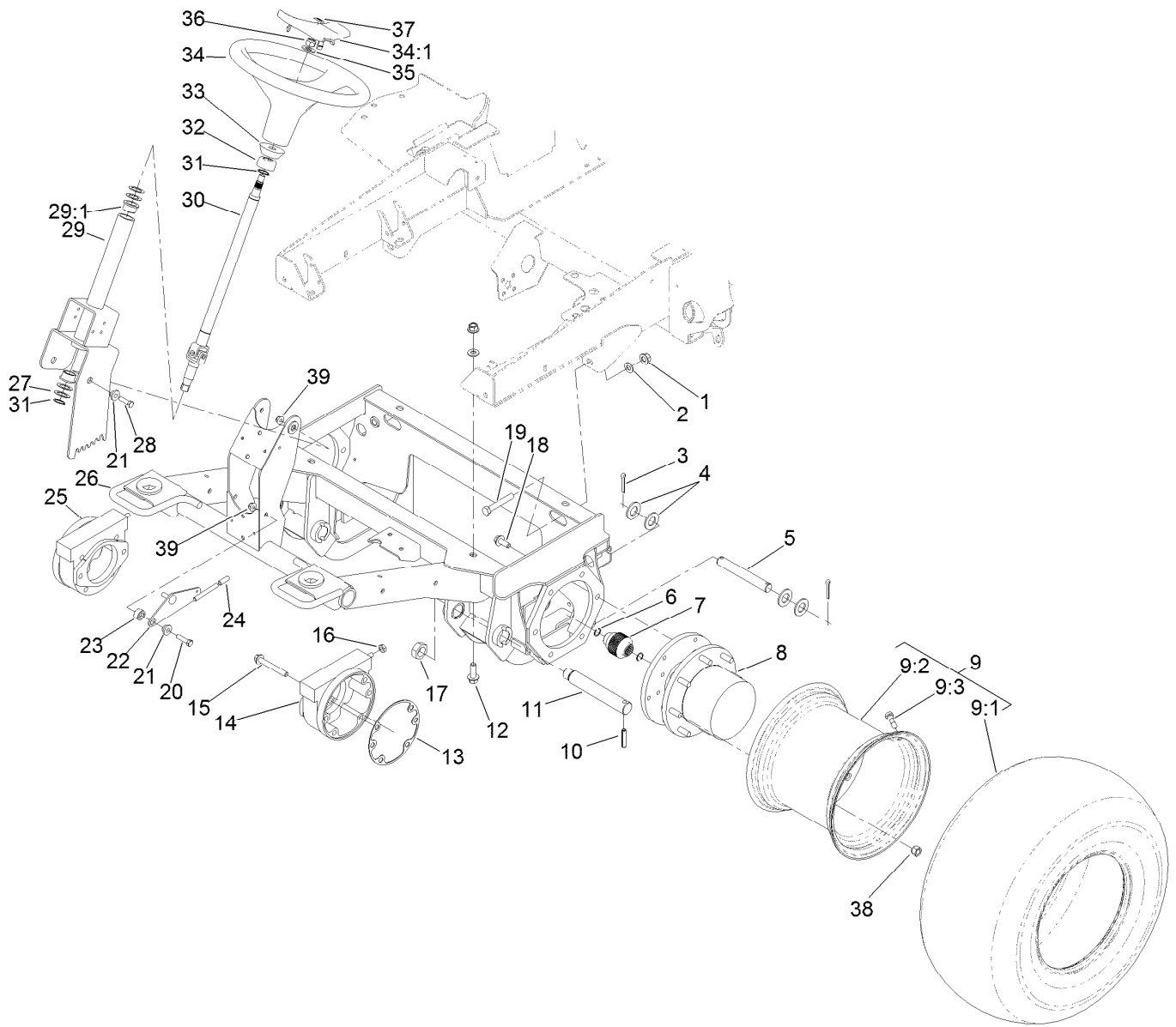
Piston Pump and Gear Pump Assembly	68
Piston Pump Assembly No. 120-9059	70
4-Section Gear Pump Assembly No. 120-8904	72
Combination Manifold Assembly	73
Combination Manifold Assembly No. 127-3650	74
Manifold Block Assembly	76
Left PTO Manifold Assembly No. 131-1249	78
Rear Traction Manifold Assembly No. 121-1530	79
Center and Right PTO Manifold Assembly No. 131-1248	80
Flow Divider Manifold Assembly No. 121-1550	81
Drive Motor, Steer Valve and Filter Head Assembly	82
Hydraulic Motor Assembly No. 120-8812	83
Steering Valve Assembly No. 130-7949	84
Hydraulic Reservoir Assembly	85
Lift, Steer and Fan Hydraulic Assembly	86
Oil Cooler Hydraulic Assembly	88
Traction Hydraulic Assembly	90
Armrest Control Panel Assembly	92
ROPS and Step Assembly	94
Front Deck Idler and Skid Assembly	95
Double Driven Spindle Assembly No. 119-4548	96
High Driven Spindle Assembly No. 119-4549	98
Front Deck Caster Arm and Wheel Assembly	100
Front Deck Driving Spindle Assembly	102
Driving Spindle Assembly No. 119-4547	103
Cutting Chamber, Cover and Roller Assembly	104
Right Deck, Idler and Skid Assembly	106
Low Driven Spindle Assembly No. 119-4776	108
Right Hand and Left Hand Castor Arm and Wheel Assembly	110
LH and RH Deck Driving Spindle Assembly	112
Right Deck Discharge Chamber and Cover Assembly	114
Left Deck, Idler and Skid Assembly	116
Left Deck Discharge Chamber and Cover Assembly	118
Cylinder Block Assembly	120
Gear Housing Assembly	121
Cylinder Head and Cover Assembly	122
Flywheel Housing and Oil Sump Assembly	124
Suction Manifold Assembly	125
Diesel Particulate Filter Assembly	126
Exhaust Manifold Assembly	128
Camshaft and Driving Gear Assembly	129
Turbine Assembly	130
Crankshaft and Piston Assembly	131
Lubrication and Oil System Assembly	132
Lubrication Oil Line Assembly	133
Cooling Water System Assembly	134
Fuel System Assembly	135
Fuel Injection Valve Assembly	136
Fuel Line Assembly	137
Starting Motor Assembly	138
Generator Assembly	139
Electric Parts Assembly	140
Gasket Set	141
Attachments and Accessories	143



Front Frame and Steering Assembly

Ref.	Part Number	Qty.	Description	Ref.	Part Number	Qty.	Description
1	99-5107	6	Nut-Lock	16	3218-4	2	Nut-Jam
2	3256-26	6	Washer-Flat	17	3296-49	2	Nut-Lock, NI
3	3272-30	4	Pin-Cotter	18	33106-030	12	Screw-HHF
4	3256-29	8	Washer-Flat	19	325-13	2	Screw-HH
5	110-6006	2	Pin-Clevis	20	323-8	1	Screw-HH
6	93-7972	4	Ring-Retaining, Internal	21	93-5988	3	Hub-Pivot
7	100-3046	2	Shaft-Brake, Splined	22	114-5907-03	1	Lever-Tilt
8	105-4500	2	Planetary ASM	23	114-4854	1	Spacer-Cup
9		2	Wheel And Tire ASM ●	24	93-5446	1	Cap-Vinyl
9:1	119-8313	1	Tire	25	100-3069-03	1	Brake ASM
9:2	120-4175	1	Rim	26	130-2739-03	1	Frame-Front
9:3	232-27	1	Stem-Valve	27	9547	4	Washer-Thrust
10	32121-110	2	Pin-Roll, Slotted	28	323-7	2	Screw-HH
11	100-3017	2	Pin-Arm, Lift	29	114-0167	1	Steering Column ASM
12	100-6116	4	Screw-HHF	29:1	256-132	2	Bushing-Flange
13	93-7984	2	Gasket	30	93-5428	1	Shaft-Steering
14	100-3070-03	1	Brake ASM	31	32151-29	2	Ring-Retaining
15	33106-090	8	Screw-HHF	32	93-5439	1	Seal-Steering

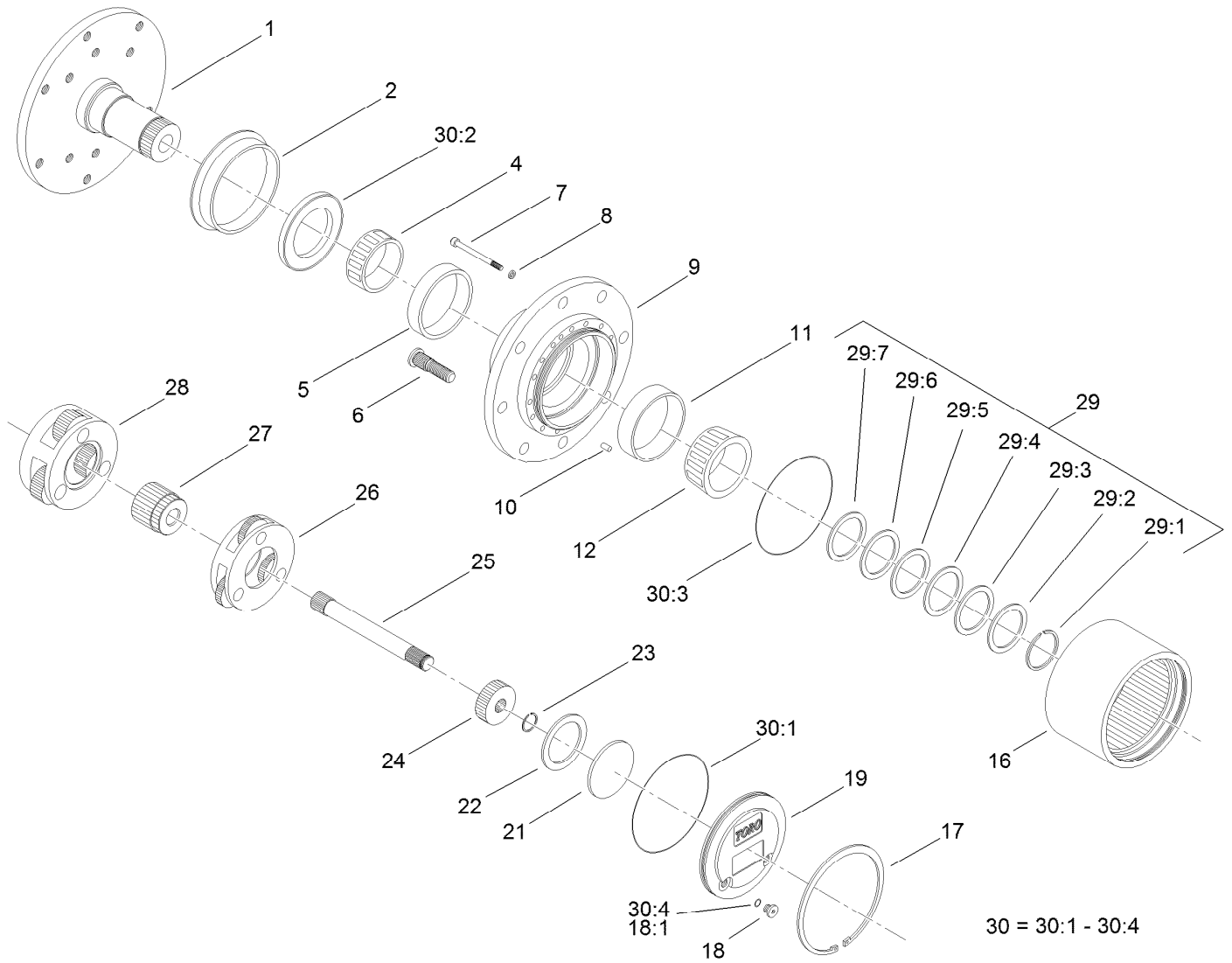
● Not serviced separately



Front Frame and Steering Assembly (continued)

<i>Ref.</i>	<i>Part Number</i>	<i>Qty.</i>	<i>Description</i>	<i>Ref.</i>	<i>Part Number</i>	<i>Qty.</i>	<i>Description</i>
33	93-5429	1	Collar-Foam	36	108-9342	1	Nut-Hex
34	98-1471	1	Wheel-Steering	37	98-1459	1	Decal
34:1	98-1468	1	Cover-Wheel, Steering	38	242-50	16	Nut-Lug
35	3256-27	1	Washer-Flat	39	104-8301	3	Nut-HF, NI

● Not serviced separately



Planetary Assembly No. 105-4500

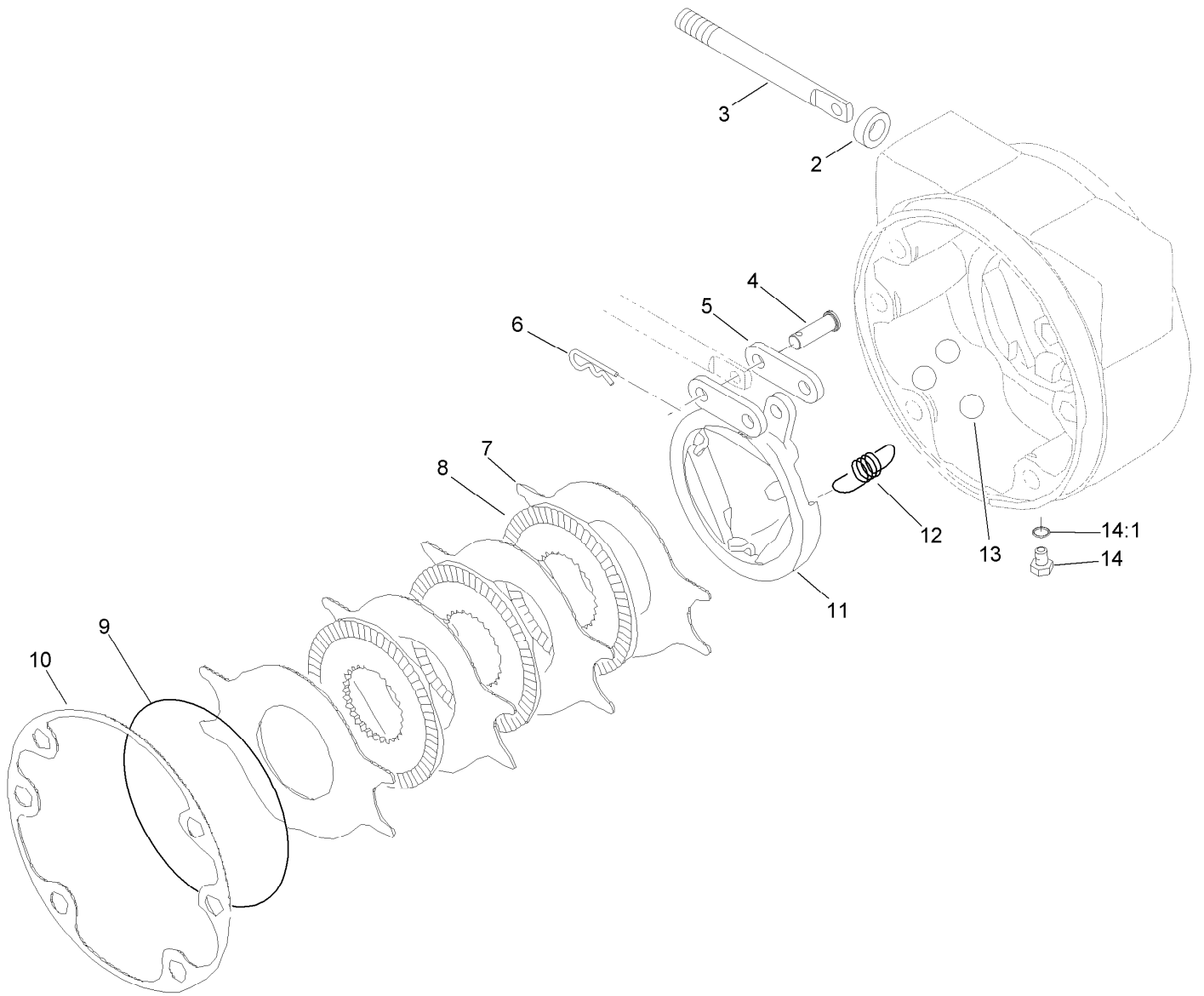
Ref.	Part Number	Qty.	Description	Ref.	Part Number	Qty.	Description
1		1	Spindle ●	24	105-8114	1	Gear-Primary
2	105-8122	1	Seal-Boot	25	105-8115	1	Shaft-Drive
4	105-8120	1	Bearing-Cone	26	105-8129	1	Carrier-Primary
5	105-8119	1	Bearing-Cup	27	105-8139	1	Gear-Secondary
6	105-8124	8	Stud-Wheel	28	105-8130	1	Carrier-Secondary
7	105-8125	16	Bolt-Head, Socket	29	105-8136	1	Shim Kit
8	3253-18	16	Washer-Lock	29:1		1	Ring-Snap ●
9		1	Housing ●	29:2		1	Shim-Bearing, 2.9Mm ●
10	105-8121	1	Pin-Dowel	29:3		1	Shim-Bearing, 2.8Mm ●
11	105-8117	1	Bearing-Cup	29:4		1	Shim-Bearing, 2.7Mm ●
12	105-8118	1	Bearing-Cone	29:5		1	Shim-Bearing, 2.6Mm ●
16	105-8113	1	Gear-Ring	29:6		1	Shim-Bearing, 2.5Mm ●
17	105-8132	1	Ring-Retaining	29:7		1	Shim-Bearing, 2.4Mm ●
18	353-990	2	Plug ASM	30	105-8137	1	Seal Kit
18:1	237-78	1	O-Ring	30:1		1	O Ring-Flange Cap ●
19	105-8138	1	Cap-End	30:2		1	Seal-Oil ●
21	105-8133	1	Plug-Thrust	30:3		2	O Ring-End Cap ●
22	105-8123	1	Washer-Thrust	30:4	237-78	2	O-Ring
23	105-8131	1	Ring-Retaining				

● Not serviced separately



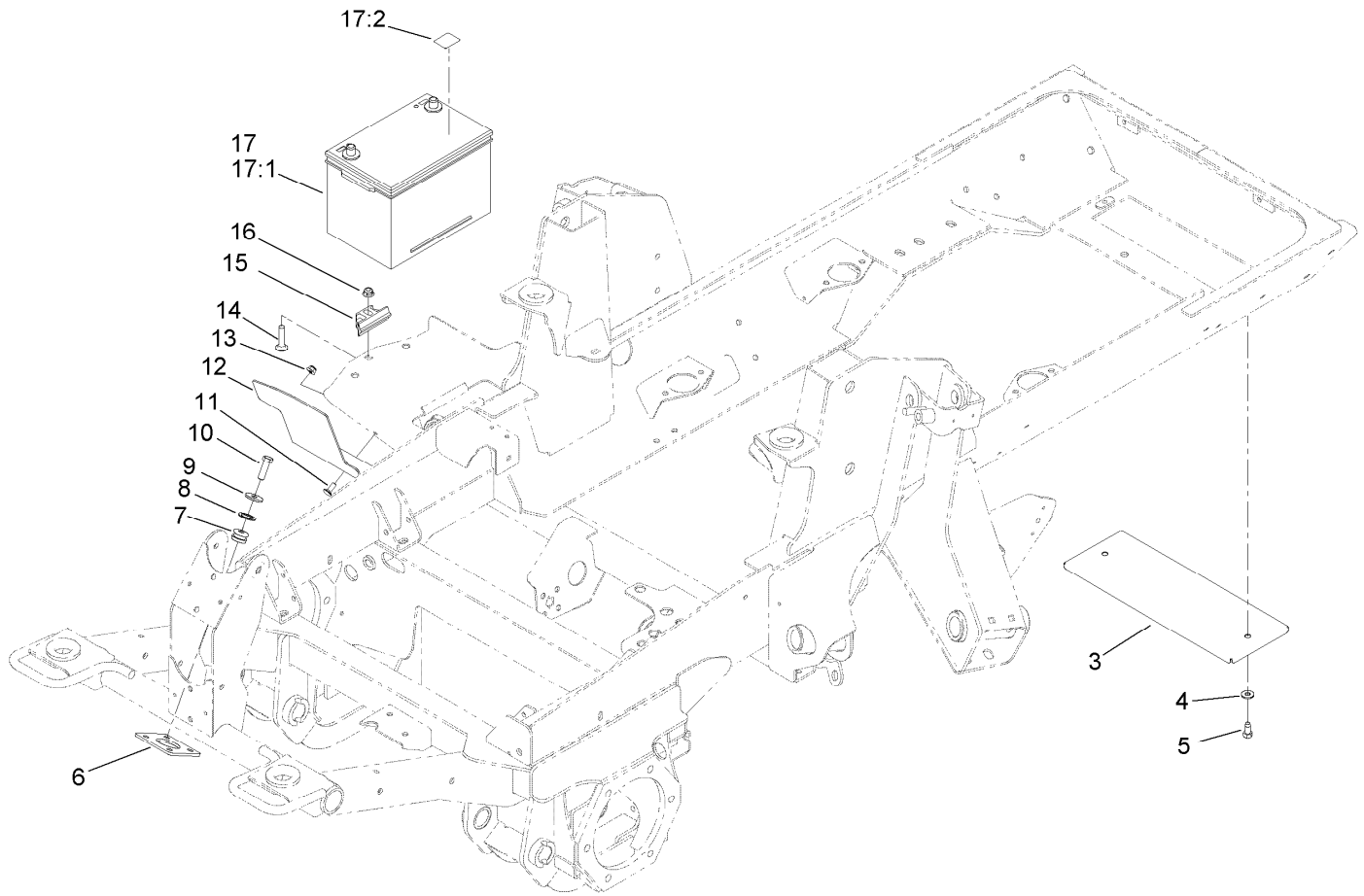
Brake Assembly No. 100-3070-03

<i>Ref.</i>	<i>Part Number</i>	<i>Qty.</i>	<i>Description</i>
2	93-7977	1	Seal
3	93-7978	1	Rod-Pull
4	93-7983	2	Pin-Clevis
5	93-7980	2	Link
6	93-7979	2	Pin-Hitch
7	93-7986	4	Disc-Stationary
8	104-4278	3	Disc-Rotating
9	93-7976	1	Ring-Retaining
10	93-7984	1	Gasket
11	104-4279	1	Actuator-Rotating
12	93-7987	3	Spring-Extension
13	93-7985	3	Ball
14	353-990	2	Plug ASM
14:1	237-78	1	O-Ring



Brake Assembly No. 100-3069-03

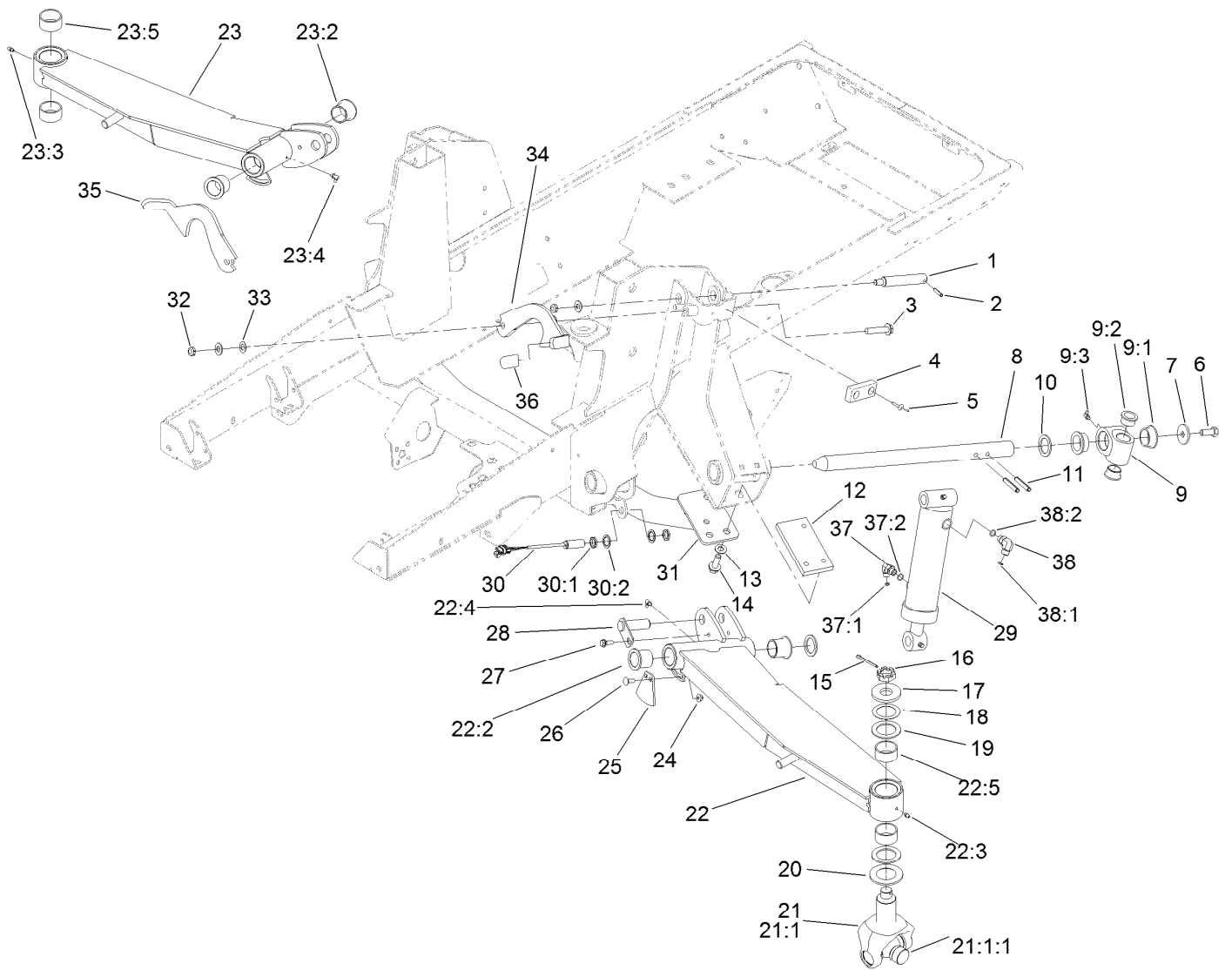
Ref.	Part Number	Qty.	Description
2	93-7977	1	Seal
3	93-7978	1	Rod-Pull
4	93-7983	2	Pin-Clevis
5	93-7980	2	Link
6	93-7979	2	Pin-Hitch
7	93-7986	4	Disc-Stationary
8	104-4278	3	Disc-Rotating
9	93-7976	1	Ring-Retaining
10	93-7984	1	Gasket
11	104-4280	1	Actuator-Rotating
12	93-7987	3	Spring-Extension
13	93-7985	3	Ball
14	353-990	2	Plug ASM
14:1	237-78	1	O-Ring



Battery, Rear Cover and Steer Valve Mount Assembly

<i>Ref.</i>	<i>Part Number</i>	<i>Qty.</i>	<i>Description</i>
3	131-1246-03	1	Plate-Cover
4	3256-3	2	Washer-Flat
5	32104-6	2	Screw-HH, TAP
6	120-4118-03	1	Plate-Mounting, Valve
7	63-9750	4	Mount
8	1-303352	4	Washer-Spindle
9	63-8410	4	Washer
10	33115-035	4	Screw-HH
11	3230-23	2	Screw-CARR

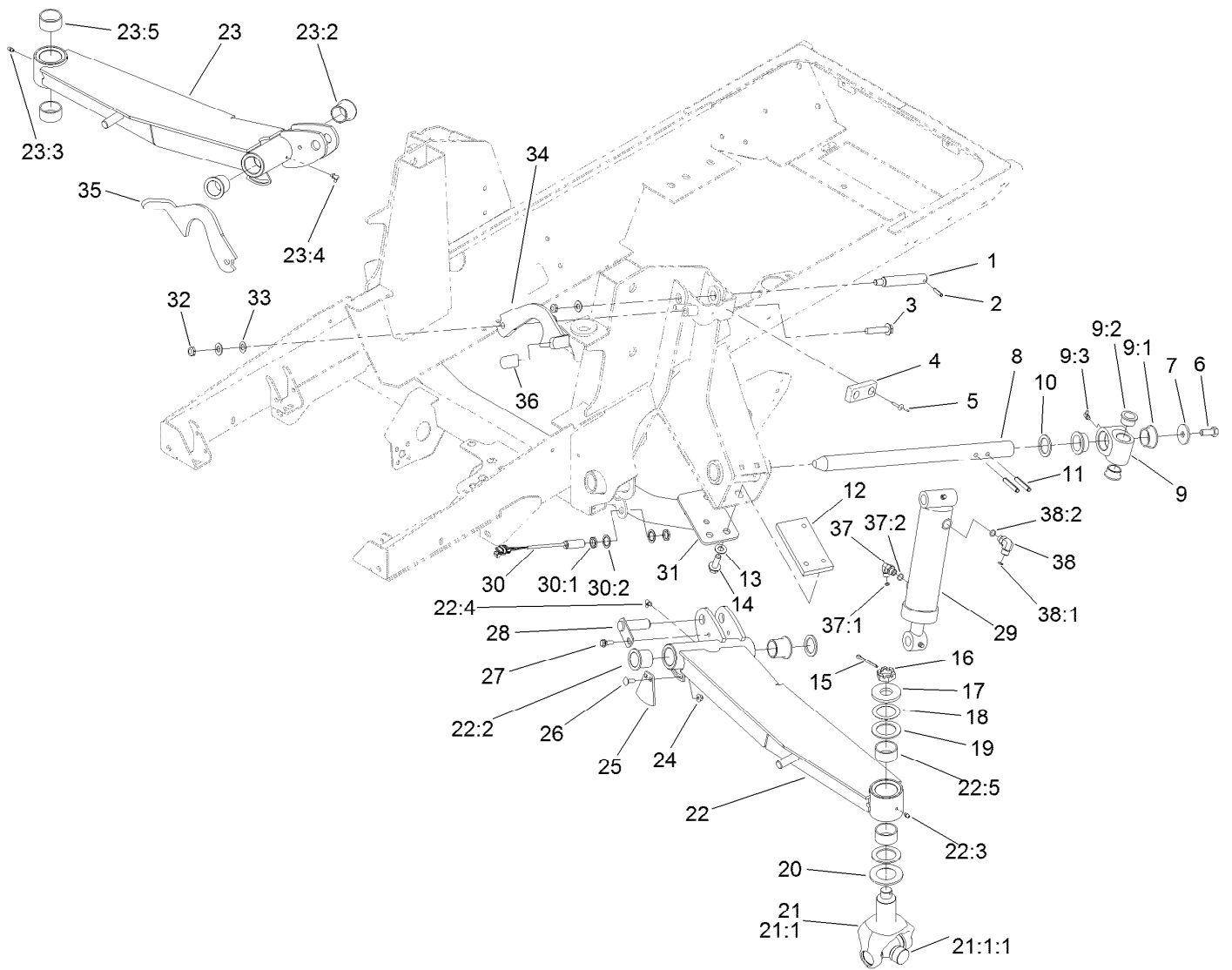
<i>Ref.</i>	<i>Part Number</i>	<i>Qty.</i>	<i>Description</i>
12	121-1512-03	1	Shield-Battery
13	104-8300	2	Nut-HF, NI
14	3231-5	1	Screw-CARR
15	138-6335	1	Retainer-Battery
16	104-8301	1	Nut-HF, NI
17	139-1005	1	Battery Kit
17:1	127-7507	1	Battery
17:2	139-1006	1	Decal



Wing Lift Arm Assembly

Ref.	Part Number	Qty.	Description	Ref.	Part Number	Qty.	Description
1	104-3537	2	Pin-Cylinder	16	99-3139	2	Nut-Slotted
2	32121-9	2	Pin-Roll, Slotted	17	104-0719	2	Washer-Hardened
3	3234-46	2	Screw-HHF	18	114-5641	2	Washer-Thrust
4	86-5350	2	Bumper-Rubber	19	104-0721	4	Washer-Thrust
5	3269-11	4	Rivet-Pop	20	104-0720	2	Spacer
6	325-5	2	Screw-HH	21	114-5640-03	2	Joint Yoke ASM
7	106-2008	2	Washer-Thrust	21:1		1	Yoke-Joint ●
8	121-3882	2	Shaft-Pivot, Lift Arm	21:1:1	104-4299	1	Cross And Bearing Kit
9	115-5468	2	Pivot Hub ASM	22	119-0089	1	LH Lift Arm ASM
9:1	115-5469	2	Bushing-Flange	22:2	69-6470	2	Bushing-Caster
9:2	114-5680	2	Bushing-Flange	22:3	302-5	1	Fitting-Grease
9:3	302-60	1	Fitting-Grease	22:4	302-60	1	Fitting-Grease
10	256-304	4	Washer-Thrust	22:5	114-5596	2	Bushing-Straight
11	117-5479	4	Pin-Spring	23	119-0087	1	RH Lift Arm ASM
12	120-8859-03	2	Block-Tapped	23:2	69-6470	2	Bushing-Caster
13	3256-26	10	Washer-Flat	23:3	302-5	1	Fitting-Grease
14	100-6116	6	Screw-HHF	23:4	302-60	1	Fitting-Grease
15	3272-25	2	Pin-Cotter	23:5	114-5596	2	Bushing-Straight

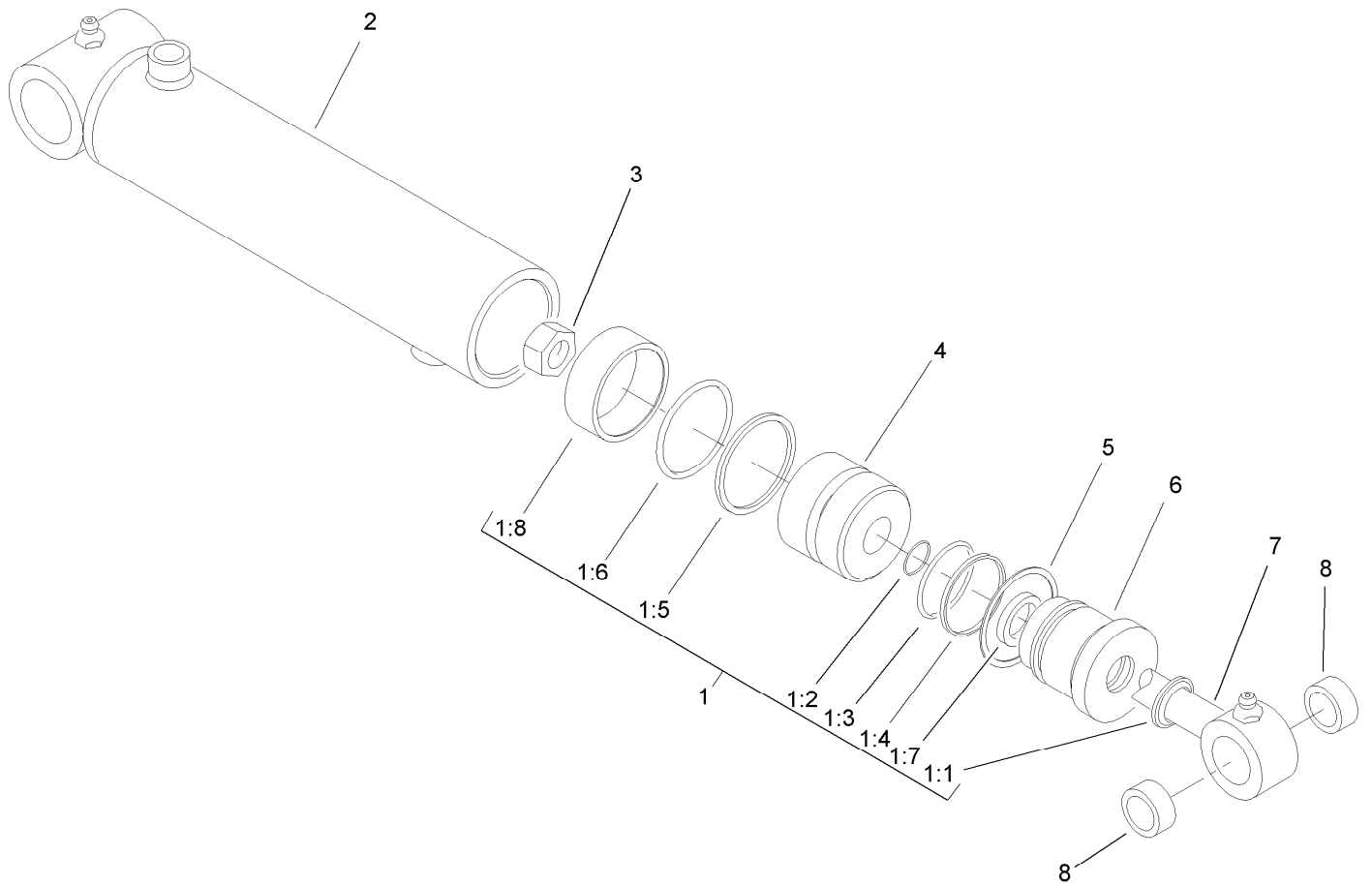
● Not serviced separately



Wing Lift Arm Assembly (continued)

Ref.	Part Number	Qty.	Description	Ref.	Part Number	Qty.	Description
24	104-8300	6	Nut-HF, NI	33	104-3577	4	Washer
25	119-0077	2	Plate-Sensing, Wing	34	130-5640-03	1	Latch-Deck, LH
26	3230-16	4	Screw-CARR	35	130-5641-03	1	Latch-Deck, RH
27	27-0410	2	Screw-Shoulder	36	48-7081	2	Grip-Plastic
28	100-5674	2	Pin	37	340-82	2	Fitting-Elbow, 90 DEG
29	107-4303	2	HYD Cylinder ASM	37:1	237-42	1	O-Ring
30	115-5300	2	Proximity Switch ASM	37:2	237-21	1	O-Ring
30:1	117-3207	2	Nut-Hex	38	340-77	2	Fitting-Elbow, 90 DEG
30:2	117-3208	2	Washer-Lock, Internal Tooth	38:1	237-22	1	O-Ring
31	120-9000-03	1	Crossmember	38:2	237-42	1	O-Ring
32	3296-45	4	Nut-Hex				

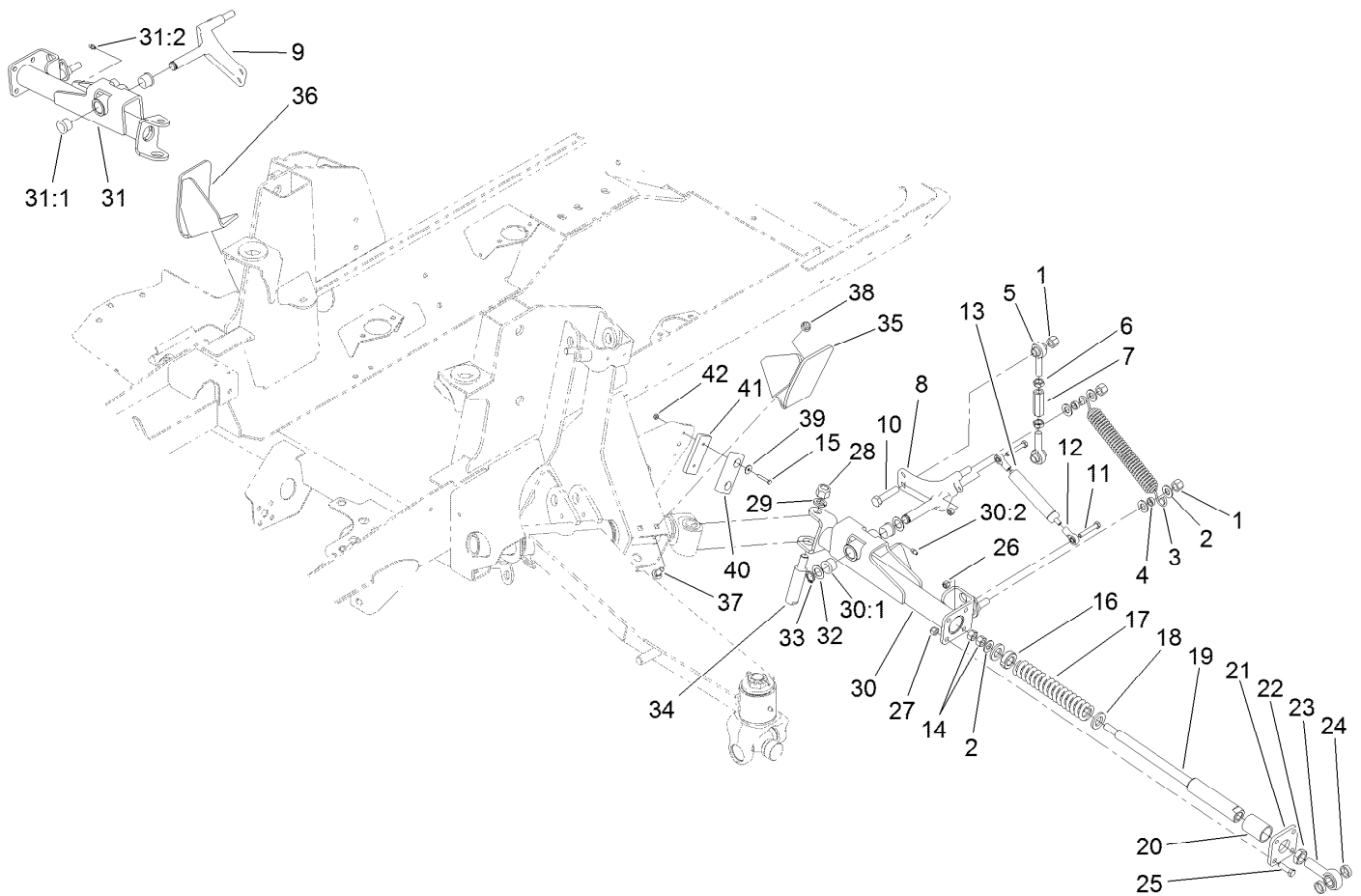
● Not serviced separately



Hydraulic Cylinder Assembly No. 107-4303

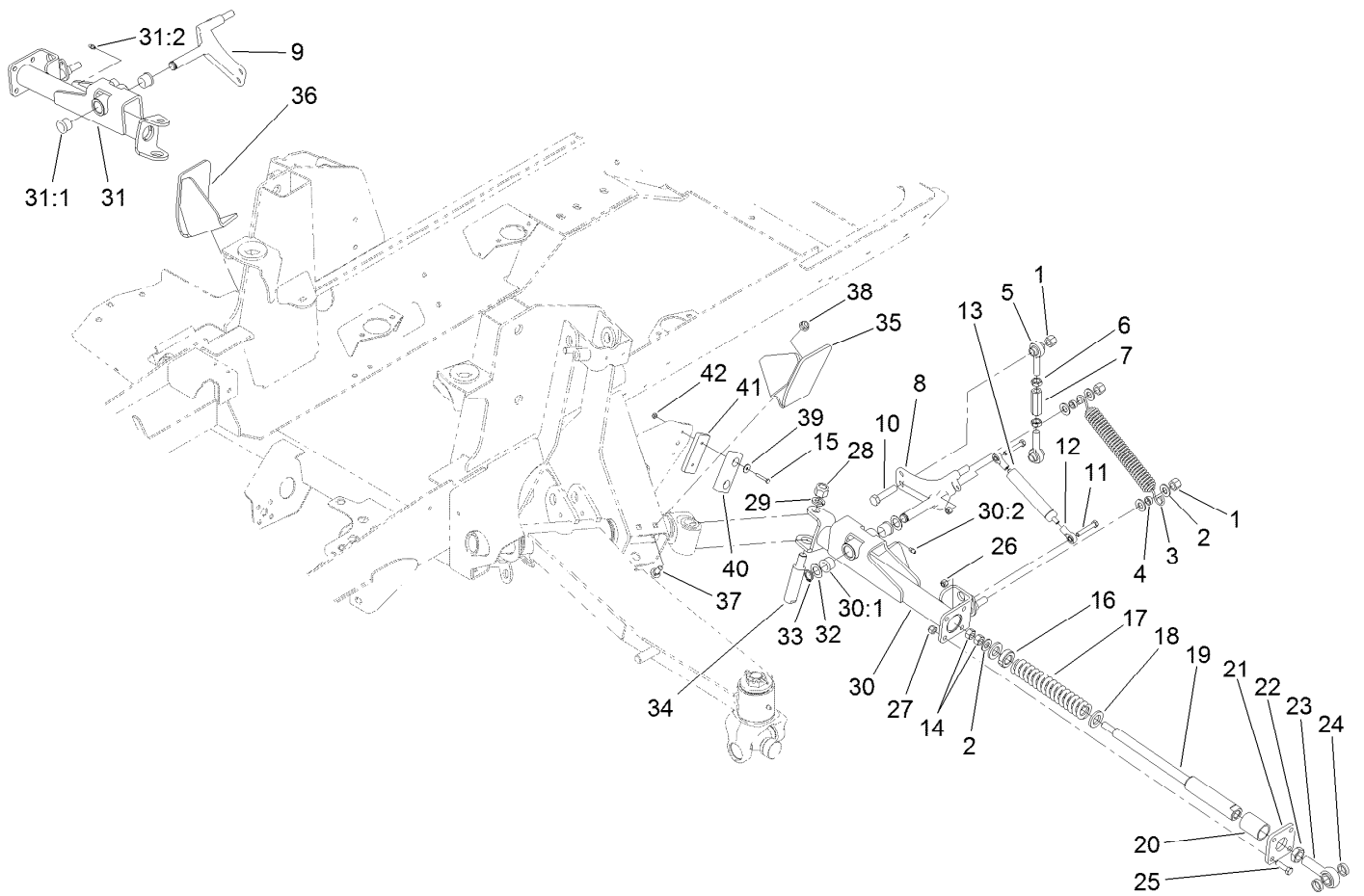
Ref.	Part Number	Qty.	Description
1	107-0249	1	Seal Kit
1:1		1	Wiper ●
1:2		1	O-Ring ●
1:3		1	O-Ring ●
1:4		1	Back-Up ●
1:5		1	Seal ●
1:6		1	O-Ring ●
1:7		1	Seal ●
1:8		1	Wear Ring ●
2		1	Barrel ASM ●
3		1	Locknut ●
4		1	Piston ●
5		1	Ring, Retaining ●
6		1	Head ●
7		1	Rod ASM ●
8	104-4281	2	Bushing

● Not serviced separately



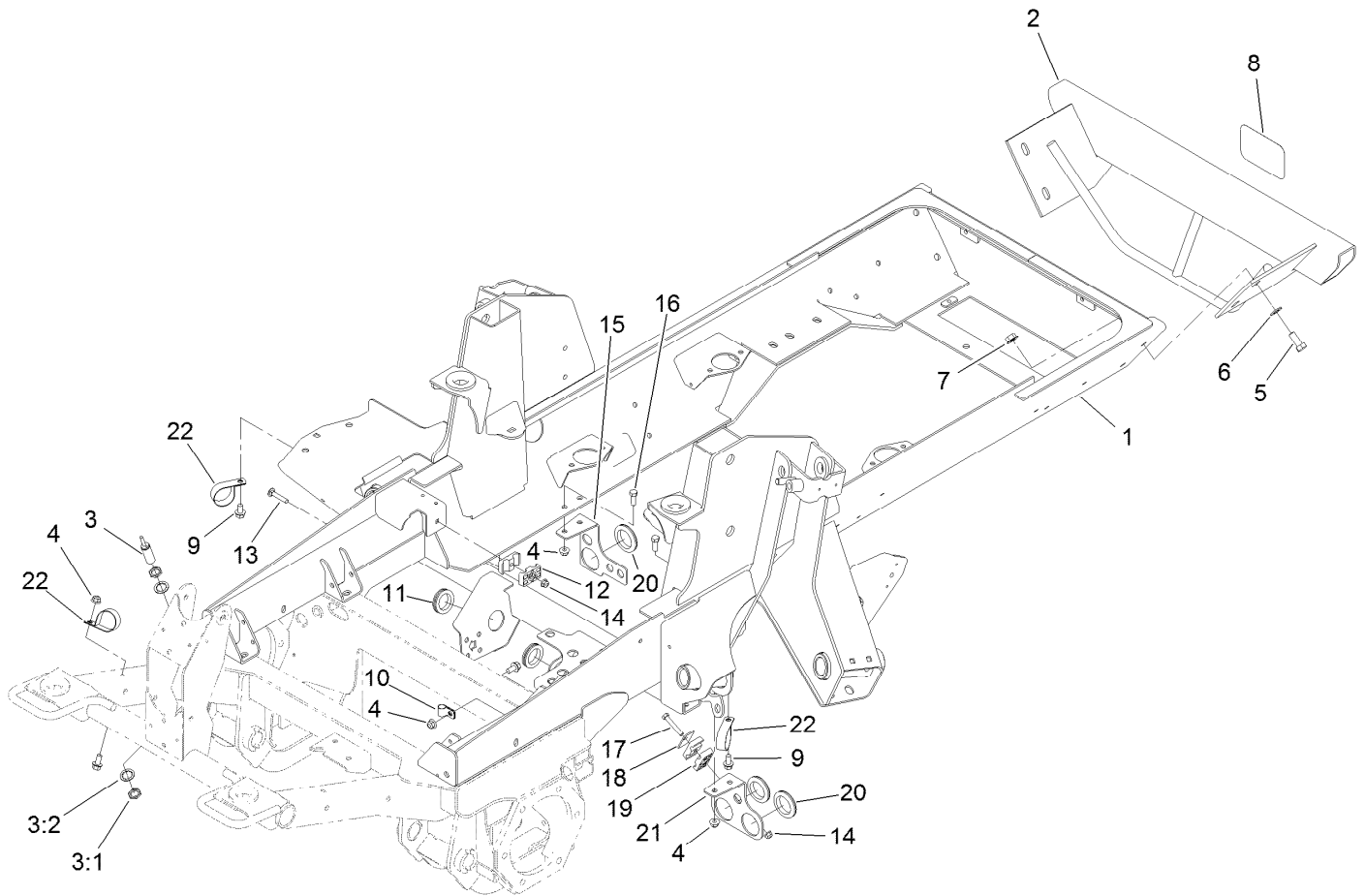
Impact Arm Assembly

Ref.	Part Number	Qty.	Description	Ref.	Part Number	Qty.	Description
1	3296-23	6	Nut-Lock, NI	22	3220-7	2	Nut-Jam
2	3256-26	10	Washer-Flat	23	105-2806	2	End-Rod
3	104-7520	2	Spring-Damper	24	105-0756	4	Spacer
4	104-7521	4	Bushing	25	323-7	8	Screw-HH
5	105-2808	4	End-Rod	26	3296-29	4	Nut-Lock, NI
6	3220-5	4	Nut-Jam	27	3296-39	8	Nut-Lock, NI
7	105-2809	2	Tube-Link	28	3296-53	2	Nut-Lock, NI
8	114-2717	1	Crank-Bell, LH	29	3253-8	2	Washer-Lock
9	114-2716	1	Crank-Bell, RH	30	120-8884	1	LH Rear Arm ASM
10	325-9	2	Screw-HH	30:1	256-113	2	Bushing-Flange
11	322-10	4	Screw-HH	30:2	302-5	1	Fitting-Grease
12	104-8331	4	End-Rod, Spherical	31	120-8883	1	RH Rear Arm ASM
13	105-3249	2	Damper	31:1	256-113	2	Bushing-Flange
14	3217-9	4	Nut-HH	31:2	302-5	1	Fitting-Grease
15	3290-360	4	Screw-HH	32	3-6498	4	Washer-Thrust
16	105-4552	2	Bearing-Plastic	33	32120-93	2	Ring-Retaining
17	100-8138	2	Spring-Compression	34	104-2281	2	Shaft-Pivot
18	105-4551	4	Washer-Flat	35	120-8856-03	1	Bracket-Roller, LH
19	105-4548	2	Shaft-Spring	36	120-8874-03	1	Bracket-Roller, RH
20	105-4550	2	Bushing-Straight	37	3231-2	4	Bolt-CARR
21	105-2807-03	2	Plate	38	104-8301	4	Nut-HF, NI



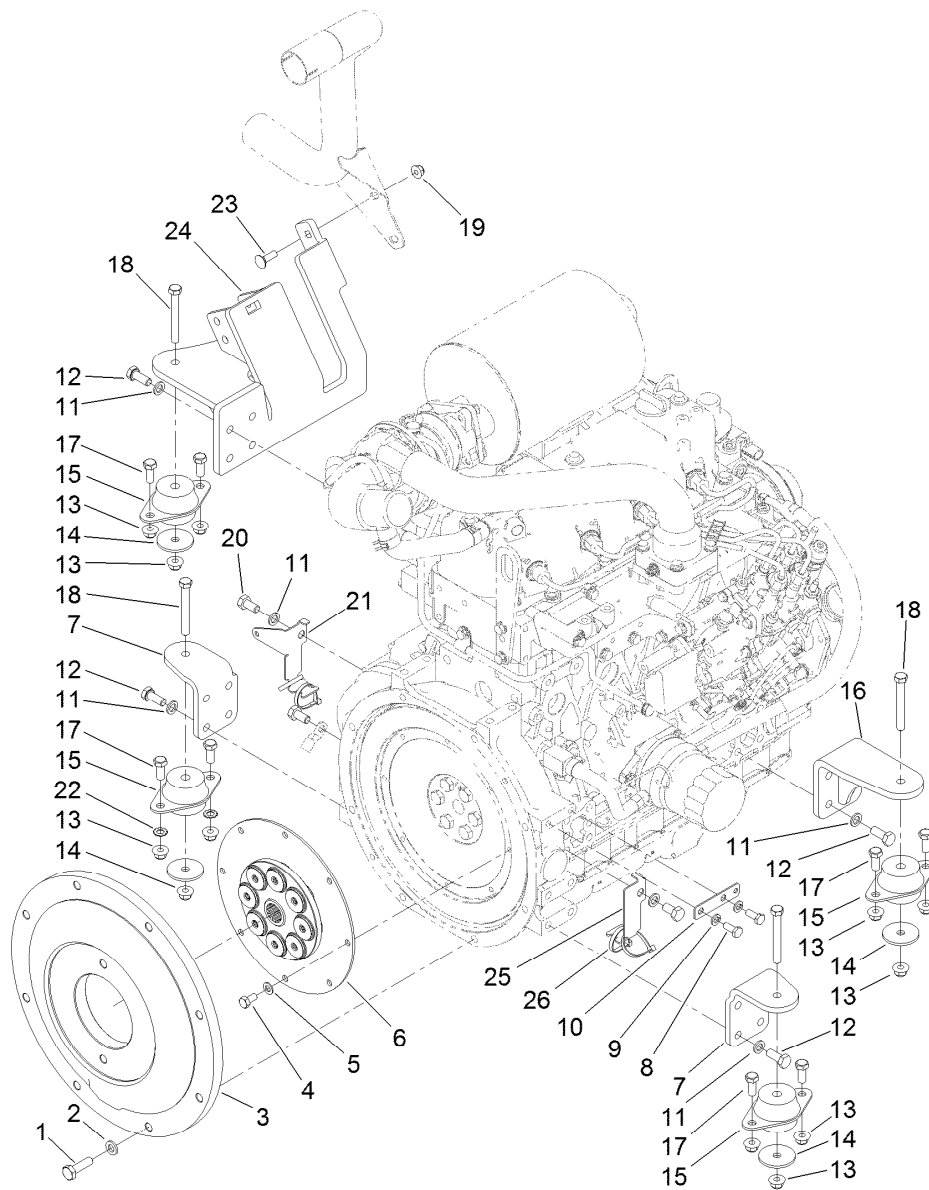
Impact Arm Assembly (continued)

<i>Ref.</i>	<i>Part Number</i>	<i>Qty.</i>	<i>Description</i>	<i>Ref.</i>	<i>Part Number</i>	<i>Qty.</i>	<i>Description</i>
39	3256-61	4	Washer-Flat	41	119-8308-03	2	Plate
40	86-5350	2	Bumper-Rubber	42	3296-2	4	Nut-Lock, NI



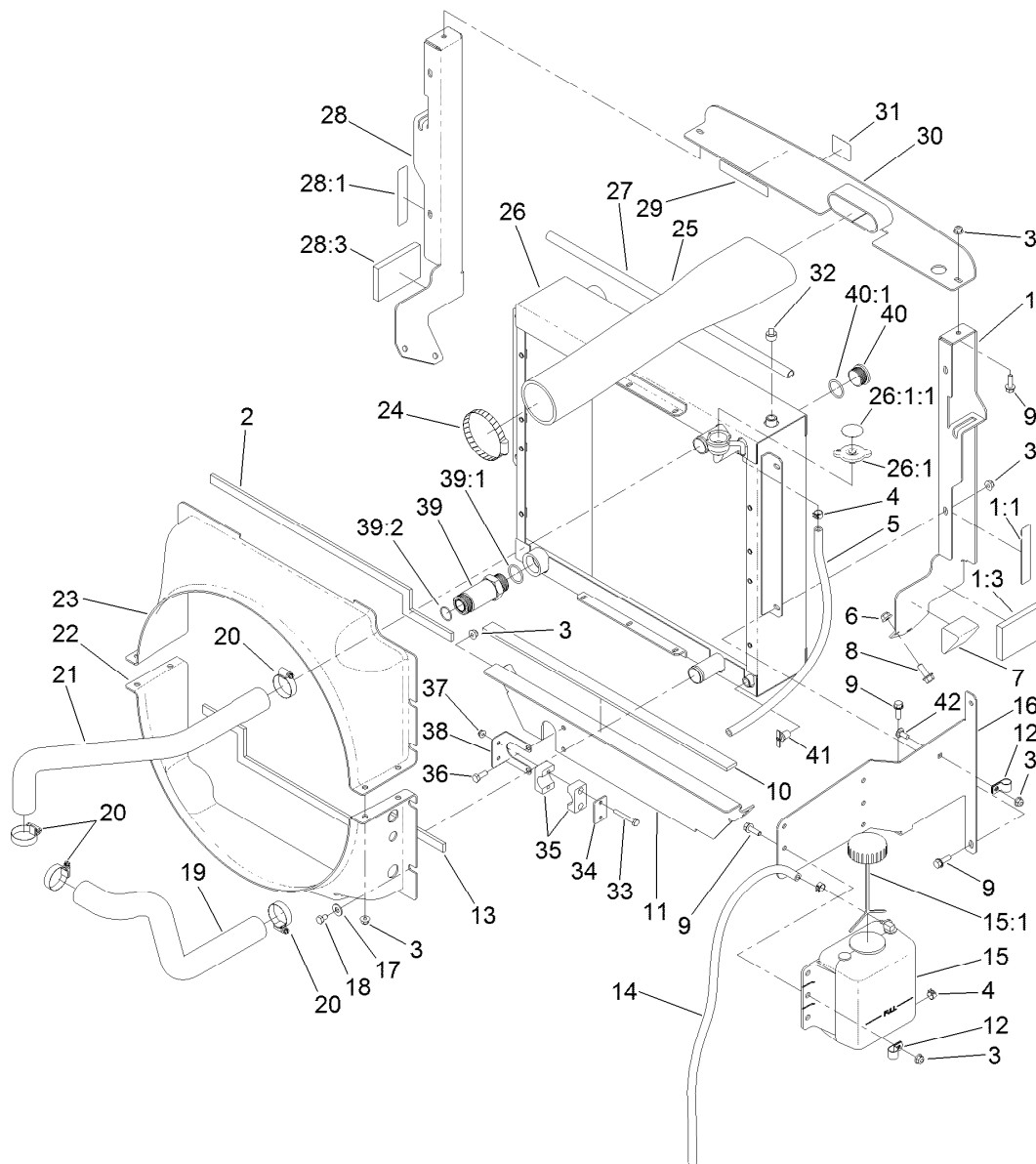
Frame, Bumper and Proximity Sensor Assembly

<i>Ref.</i>	<i>Part Number</i>	<i>Qty.</i>	<i>Description</i>	<i>Ref.</i>	<i>Part Number</i>	<i>Qty.</i>	<i>Description</i>
1	120-4010-03	1	Frame	11	240-7	2	Grommet-Rubber
2	120-8919-03	1	Bumper	12	56-7971	2	Clamp-Tube
3	115-0282	1	Proximity Sensor ASM	13	3230-5	1	Bolt-CARR
3:1	117-3207	2	Nut-Hex	14	104-8300	2	Nut-HF, NI
3:2	117-3208	2	Washer-Lock, Internal Tooth	15	121-1508-03	1	Bracket-Bulkhead
4	104-8301	6	Nut-HF, NI	16	323-6	4	Screw-HH
5	325-5	4	Screw-HH	17	322-10	1	Screw-HH
6	3256-26	4	Washer-Flat	18	69-9760	1	Plate-Cover
7	32128-23	4	Nut-HF	19	56-7976	2	Clamp-Tube
8	105-8278	1	Decal	20	240-2	3	Grommet-Rubber
9	3234-1	4	Screw-HHF	21	121-1481-03	1	Plate-Mount, Bulkhead (LH)
10	2412-138	1	R-Clamp	22	2412-147	3	Clamp-R



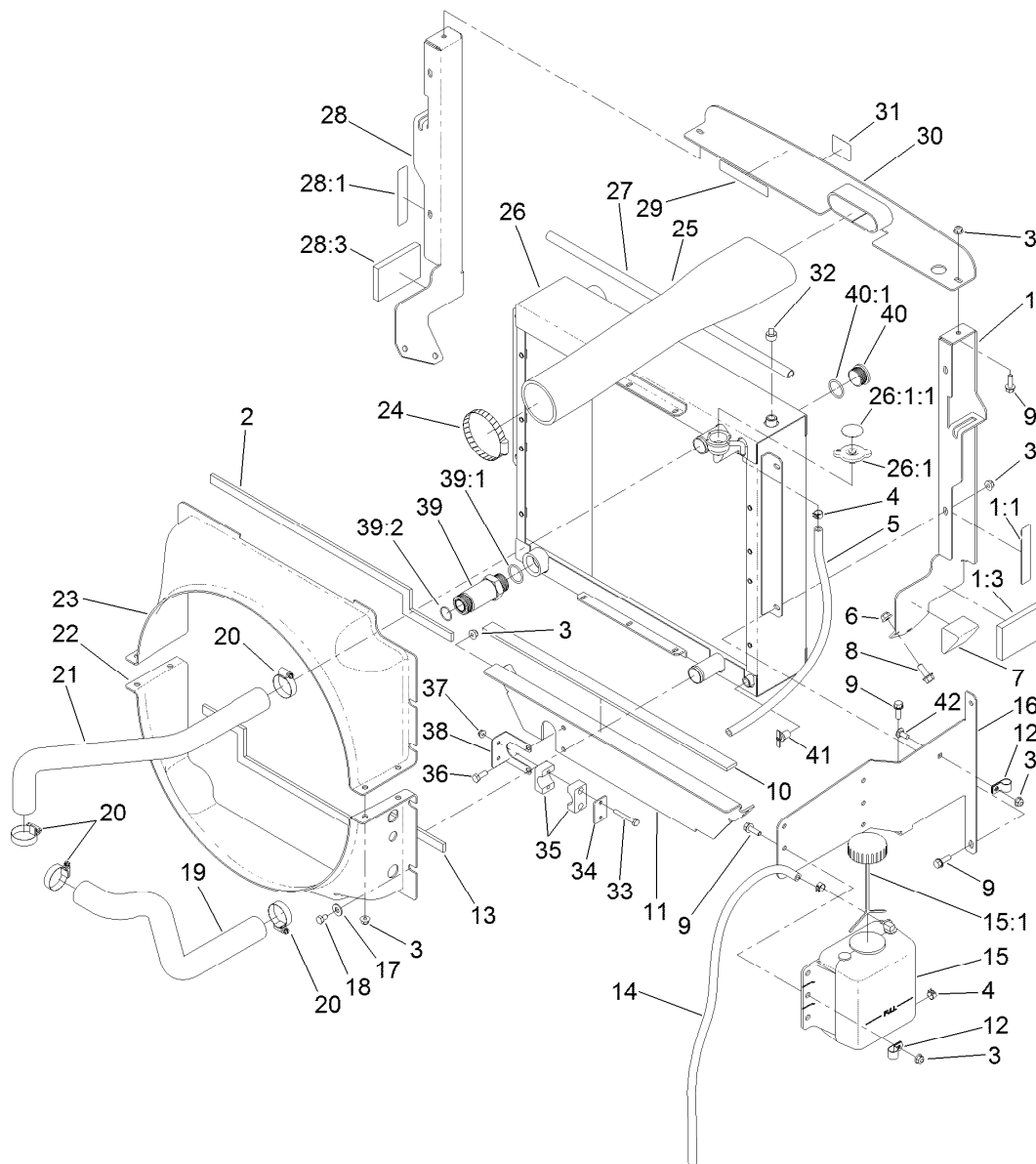
Flywheel and Motor Mount Assembly

<i>Ref.</i>	<i>Part Number</i>	<i>Qty.</i>	<i>Description</i>	<i>Ref.</i>	<i>Part Number</i>	<i>Qty.</i>	<i>Description</i>
1	117-5663	8	Screw-HH	14	63-7400	4	Washer-Rebound
2	107-1413	8	Washer-Hardened	15	53-9682	4	Mount-Engine
3	115-6657-03	1	Plate-Flywheel	16	120-4068-03	1	Mount-Motor
4	99-5132	8	Bolt	17	323-5	8	Screw-HH
5	87-7510	8	Washer-Flat	18	323-14	4	Screw-HH
6	120-4176	1	Coupling-Spring, Flywheel	19	104-8300	2	Nut-HF, NI
7	120-4066-03	2	Mount-Motor, Front	20	33115-020	3	Screw-HH
8	33114-020	2	Screw-HH	21	127-2774	1	Bracket-Harness, RH
9	3253-4	2	Washer-Lock	22	3255-9	2	Washer-Lock
10	121-5636	1	Tab-Harness	23	3230-2	2	Bolt-CARR
11	48-9590	18	Washer-Lock	24	127-3722-03	1	Mount-Motor
12	33115-025	16	Screw-HH	25	127-2773	1	Bracket-Harness, LH
13	104-8301	12	Nut-HF, NI	26	3290-378	4	Tie-Cable



Radiator Assembly

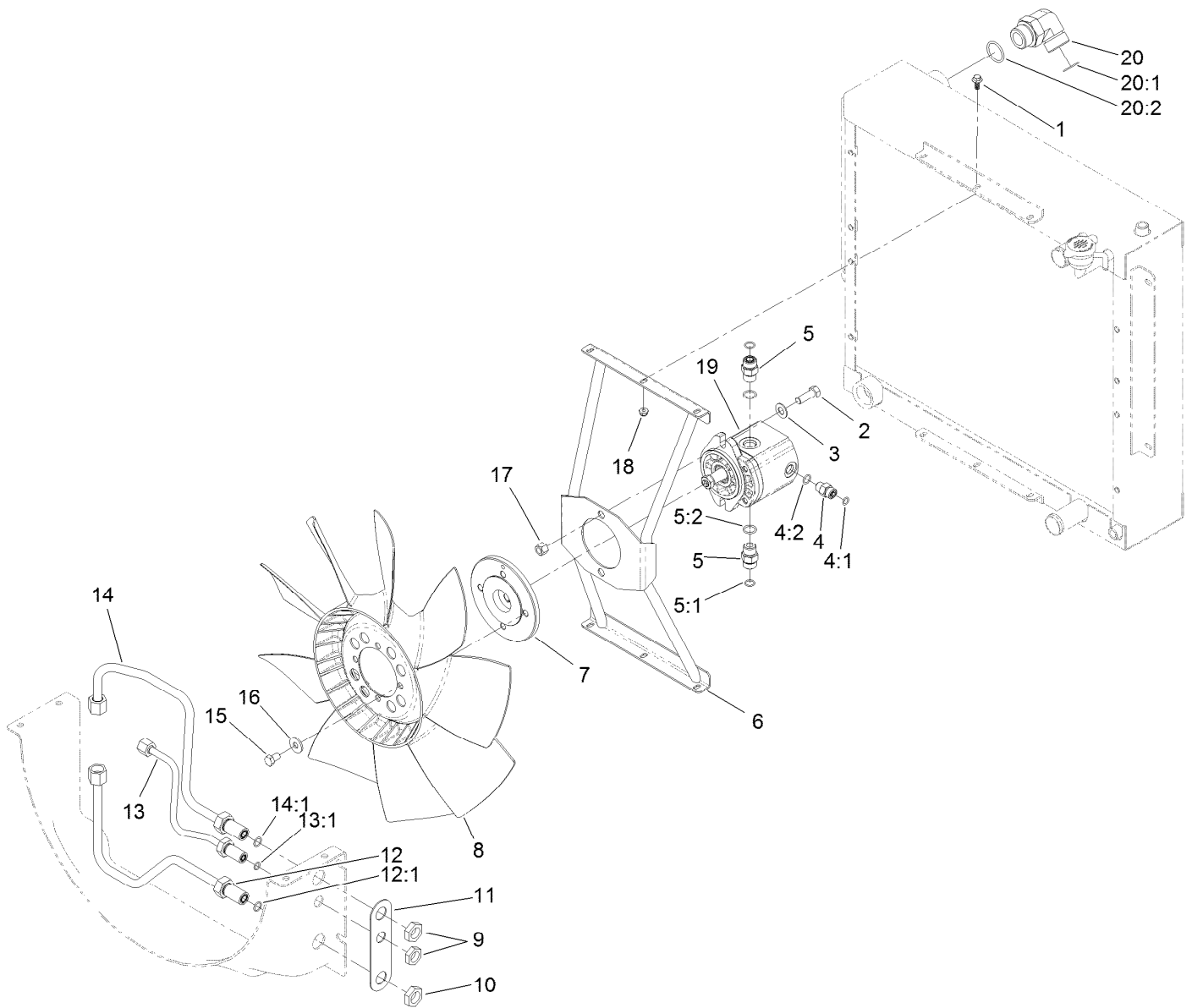
<i>Ref.</i>	<i>Part Number</i>	<i>Qty.</i>	<i>Description</i>	<i>Ref.</i>	<i>Part Number</i>	<i>Qty.</i>	<i>Description</i>
1	121-1479	1	LH Radiator Support ASM	19	121-1746	1	Hose-Radiator, Lower
1:1	93-7272	1	Decal-Warning	20	2412-111	4	Clamp
1:3	100-2196	1	Pad-Foam	21	121-1747	1	Hose-Radiator, Upper
2	121-1684	1	Foam-Radiator	22	121-1517	1	Shroud-Radiator, Lower
3	104-8300	13	Nut-HF, NI	23	121-1515	1	Shroud-Radiator, Upper
4	92-2379	3	Clamp-Hose	24	2412-110	1	Clamp-Band/Screw
5	110-4112	1	Hose-Fuel	25	121-1474	1	Hose-Inlet, Air Cleaner
6	104-8301	6	Nut-HF, NI	26	132-6161	1	Radiator/Oil Cooler
7	93-5954	2	Plug-Foam	26:1	115-7766	1	Cap-Radiator
8	3234-11	6	Screw-HHF	26:1:1	106-6755	1	Decal-Cap, Radiator
9	3234-29	12	Screw-HHF	27	114-3828	1	Seal-Bulb
10	104-2226	1	Strip-Foam	28	121-1478	1	RH Radiator Support ASM
11	120-8968-03	1	Bracket-Hose	28:1	93-7272	1	Decal-Warning
12	92-6064	2	Clamp-R	28:3	100-2196	1	Pad-Foam
13	121-1685	1	Foam-Radiator, Lower	29	93-7272	1	Decal-Warning
14	110-9662	1	Hose-Fuel	30	120-9025-03	1	Bracket-Intake
15	120-5571	1	Coolant Reservoir ASM	31	93-7275	1	Decal-Fluid, Starting
15:1	87-7050	1	Cap-Reservoir	32	281-13	1	Plug-Pipe
16	130-0603-03	1	Bracket-Mount, Bottle	33	321-11	2	Screw-HH
17	3256-3	8	Washer-Flat	34	114-4902	1	Plate-Cover
18	322-1	8	Screw-HH	35	114-4901	1	Clamp



Radiator Assembly (continued)

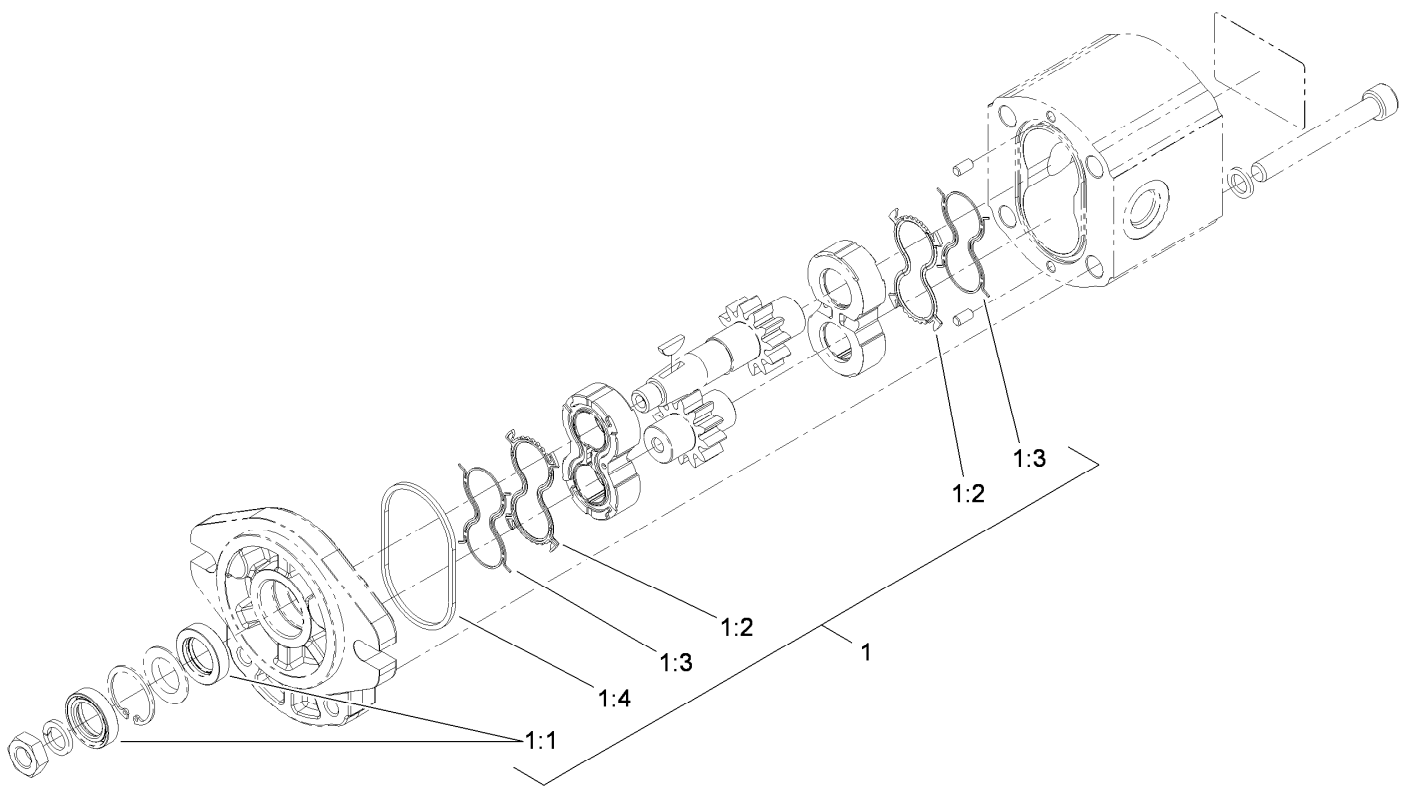
<i>Ref.</i>	<i>Part Number</i>	<i>Qty.</i>	<i>Description</i>
36	322-4	2	Screw-HH
37	104-7201	2	Nut-HF
38	120-8984	1	Bracket-Clamp
39	100-5565	1	Fitting-STR
39:1	237-146	1	O-Ring

<i>Ref.</i>	<i>Part Number</i>	<i>Qty.</i>	<i>Description</i>
39:2	340-65	1	O-Ring
40	106-2030	1	Plug-Hex, Hollow
40:1	237-146	1	O-Ring
41	304-46	1	Draincock
42	3230-23	1	Screw-CARR



Fan Mounting and Hardline Assembly

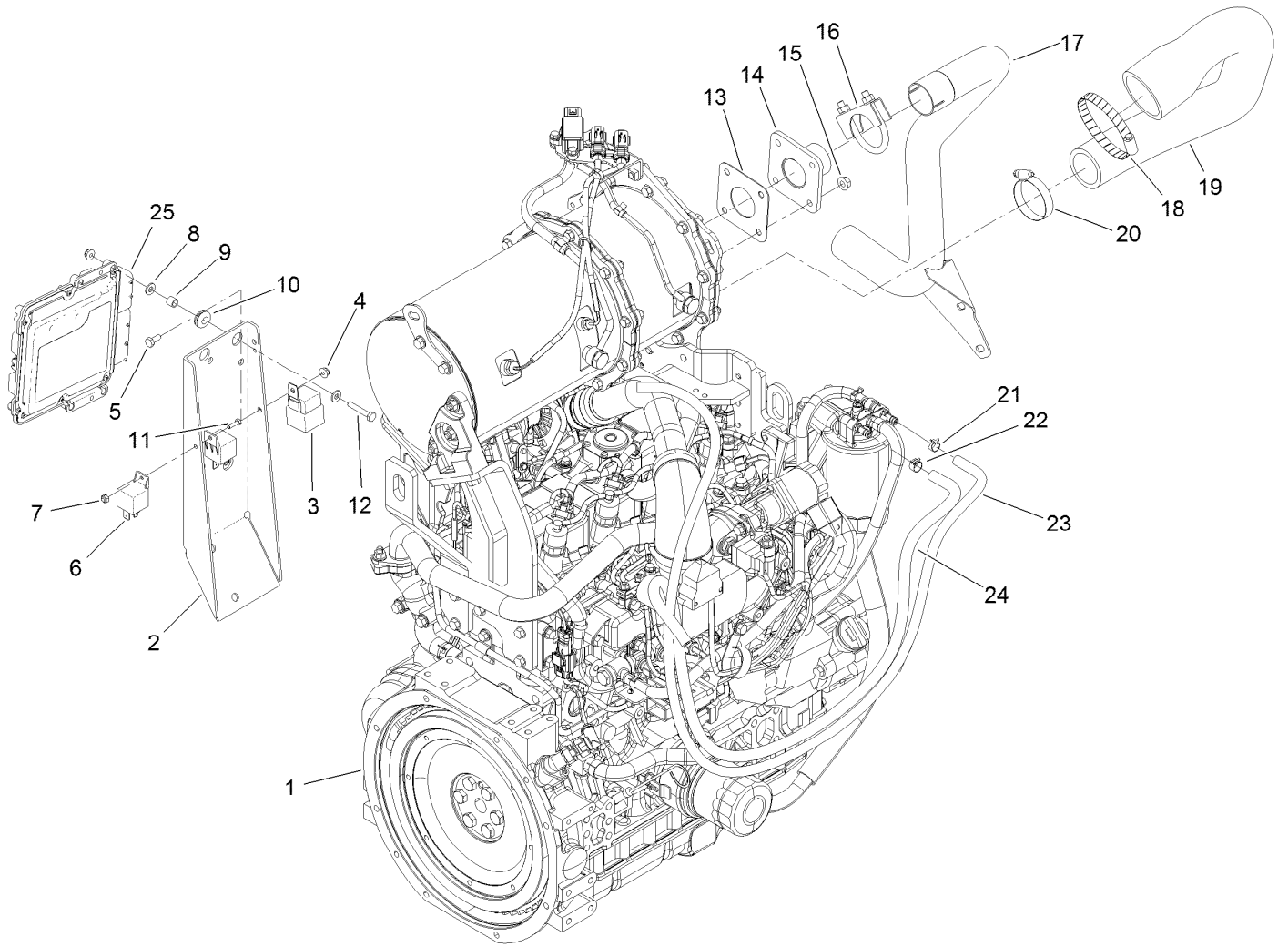
<i>Ref.</i>	<i>Part Number</i>	<i>Qty.</i>	<i>Description</i>	<i>Ref.</i>	<i>Part Number</i>	<i>Qty.</i>	<i>Description</i>
1	99-6810	6	Screw-HHF	12	121-1554	1	Tube-HYD
2	324-5	2	Screw-HH	12:1	237-30	1	O-Ring
3	3256-25	2	Washer-Flat	13	121-1555	1	Tube ASM
4	340-2	1	Fitting-Straight	13:1	237-22	1	O-Ring
4:1	237-22	1	O-Ring	14	121-1553	1	Tube-HYD
4:2	237-42	1	O-Ring	14:1	237-30	1	O-Ring
5	340-4	2	Fitting-Straight	15	115-8486	4	Screw-HH
5:1	237-30	1	O-Ring	16	80-6990	4	Washer-Hardened
5:2	237-79	1	O-Ring	17	3296-48	2	Nut-Hex
6	120-8935-03	1	Bracket-Fan	18	104-7201	6	Nut-HF
7	117-2364	1	Hub-Fan	19	117-4769	1	HYD Motor ASM
8	114-3825	1	Fan	20	340-129	1	Fitting-Elbow, 90 DEG
9	340-70	1	Nut-Lock	20:1	237-146	1	O-Ring
10	340-127	2	Nut-Bulkhead	20:2	340-65	1	O-Ring
11	121-1518	1	Shim-Support				



Hydraulic Motor Assembly No. 117-4769

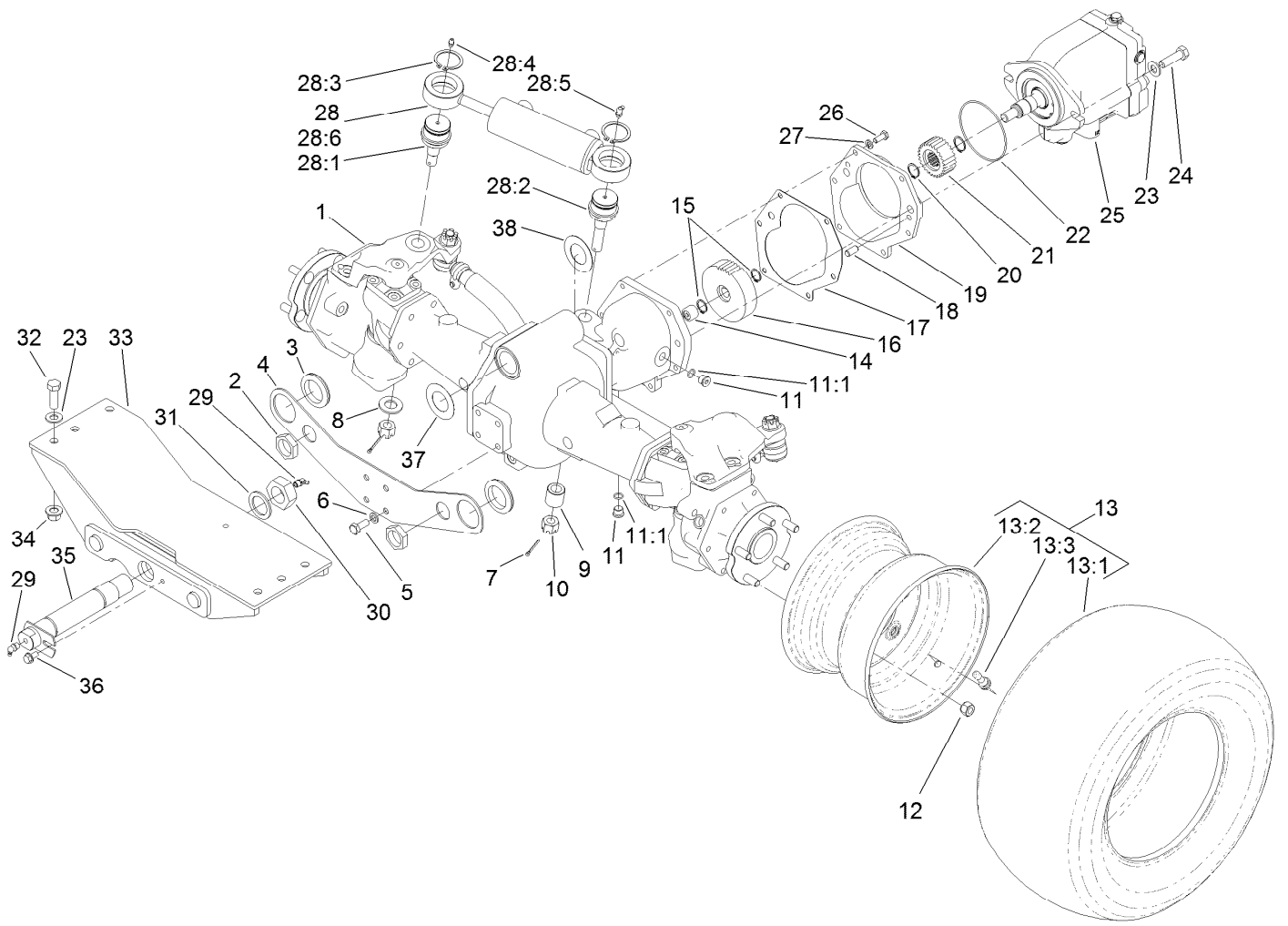
<i>Ref.</i>	<i>Part Number</i>	<i>Qty.</i>	<i>Description</i>
1	115-4110	1	Seal Kit
1:1		2	Seal-Shaft ●
1:2		2	Seal-Plate, Balancing ●
1:3		2	Seal-Anti Extrusion ●
1:4		2	O-Ring (Housing) ●

● Not serviced separately



Engine and Controller Assembly

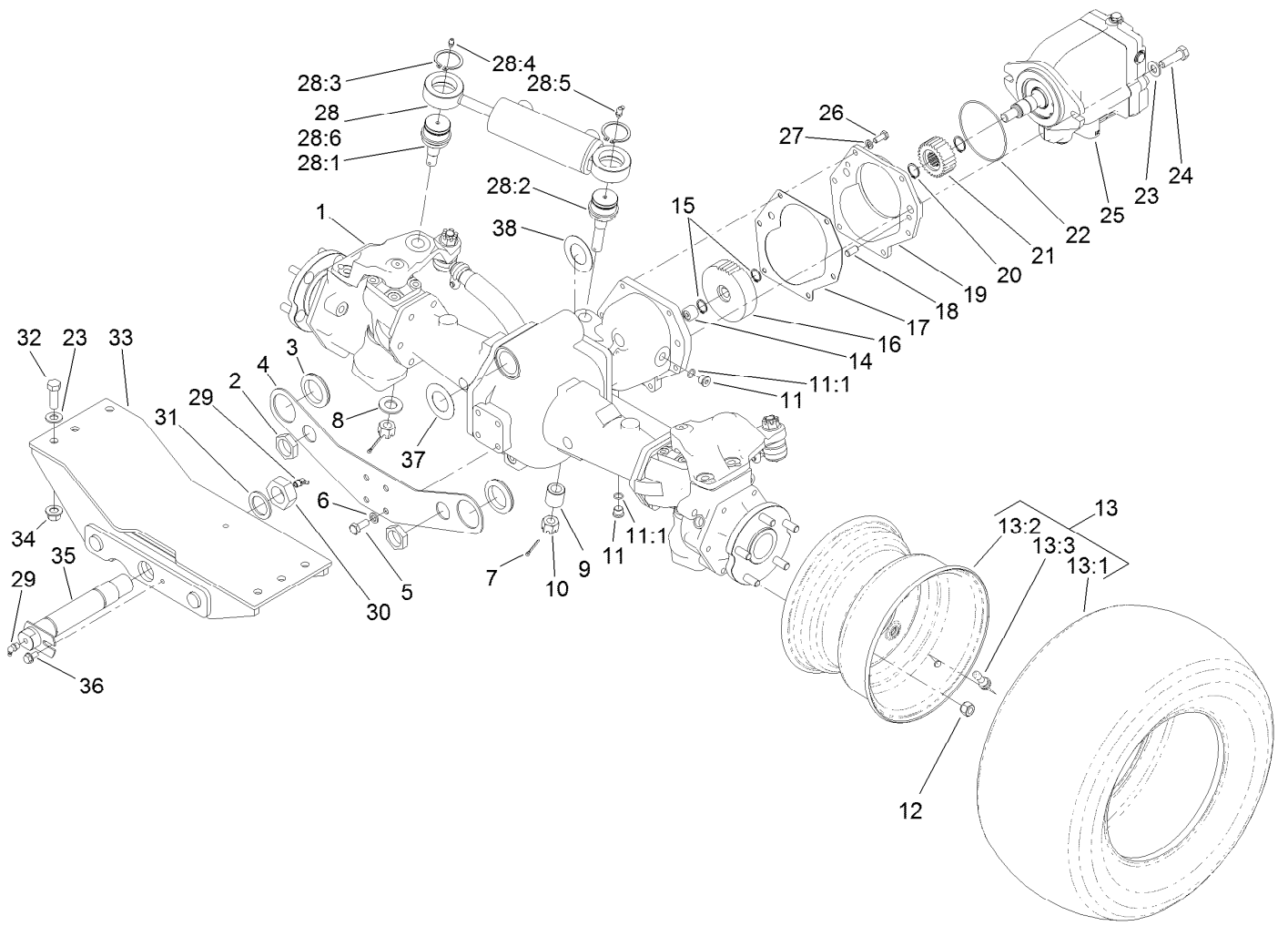
<i>Ref.</i>	<i>Part Number</i>	<i>Qty.</i>	<i>Description</i>	<i>Ref.</i>	<i>Part Number</i>	<i>Qty.</i>	<i>Description</i>
1	120-4111	1	Engine ASM	14	121-3060	1	Flange-Exhaust
2	120-8916-03	1	Mount-Controller	15	33004-00	4	Nut-HF
3	99-7430	1	Relay-Mini	16	18-2130	1	Clamp
4	104-7201	5	Nut-HF	17	121-1613	1	Pipe-Exhaust
5	321-3	1	Screw-HH	18	2412-110	1	Clamp-Band/Screw
6	99-7435	2	Relay	19	121-1475	1	Hose-Outlet, Air Cleaner
7	3296-2	1	Nut-Lock, NI	20	2412-130	1	Clamp-Hose
8	3256-22	8	Washer-Flat	21	2412-98	1	Clamp-Hose
9	1-633545	4	Spacer	22	92-2379	1	Clamp-Hose
10	1-633630	4	Grommet	23	115-2368	1	Hose-Fuel
11	3290-134	1	Screw	24	110-4007	1	Hose-Fuel
12	321-9	4	Screw-HH	25	121-5592	1	Electronic Control Unit
13	121-3058	1	Gasket-Exhaust				



Rear Axle and Steering Cylinder Assembly

Ref.	Part Number	Qty.	Description	Ref.	Part Number	Qty.	Description
1	110-4750	1	Drive Axle ASM	15	32120-15	2	Ring-Snap, EXT
2	340-126	2	Nut-Bulkhead	16	100-3053	1	Gear-45 Tooth
3	240-2	2	Grommet-Rubber	17	106-1140	1	Gasket
4	120-9069-03	1	Plate-Mount, Bulkhead	18	104-2353	2	Pin-Dowel
5	43-0090	4	Screw-HH	19	95-7541	1	Plate-Cover
6	48-9590	4	Washer-Lock	20	32120-76	2	Ring-Snap, EXT
7	3272-12	2	Pin-Cotter	21	104-0755	1	Pinion-27 Tooth
8	92-5836	1	Washer	22	237-166	1	O-Ring
9	100-3796	1	Spacer-Joint, Ball	23	3256-26	8	Washer-Flat
10	32136-14	2	Nut-Hst	24	325-7	2	Screw-HH
11	353-989	2	Plug-Hex, Hollow	25	120-8814	1	HYD Motor ASM
11:1	237-42	1	O-Ring	26	33114-020	6	Screw-HH
12	93-5268	10	Nut-Lug	27	3253-4	6	Washer-Lock
13		2	Tire And Wheel ASM ●	28	121-1535	1	Steering Cylinder ASM
13:1	120-8910	1	Tire-Off Road	28:1	106-6774	1	Joint-Ball
13:2	120-8909	1	Rim	28:2	100-3795	1	Joint-Ball
13:3	232-27	1	Stem-Valve	28:3	32151-104	2	Ring-Retaining, External
14	74-5700	1	Bearing-Needle, Roller	28:4	302-5	1	Fitting-Grease

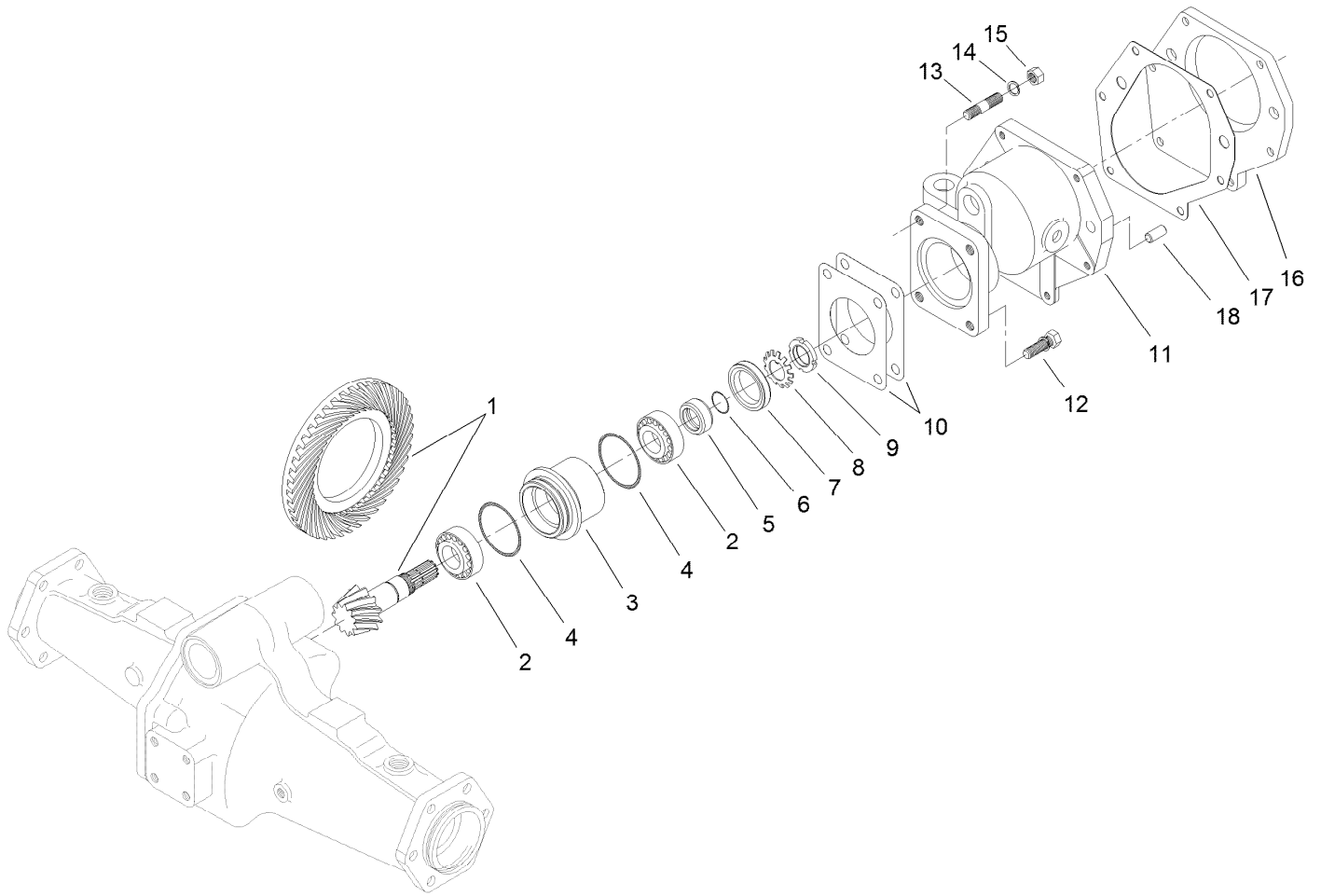
● Not serviced separately



Rear Axle and Steering Cylinder Assembly (continued)

<i>Ref.</i>	<i>Part Number</i>	<i>Qty.</i>	<i>Description</i>	<i>Ref.</i>	<i>Part Number</i>	<i>Qty.</i>	<i>Description</i>
28:5	302-60	1	Fitting-Grease	33	130-2744-03	1	Mount-Rear
28:6	121-1534	1	HYD Steering Cylinder ASM	34	99-5107	6	Nut-Lock
29	302-33	2	Fitting-Grease	35	98-7077	1	Pin-Axle, Rear
30	3296-68	1	Nut-Lock, NI	36	32144-14	1	Screw-HWHTF
31	92-1765	1	Washer-Thrust	37	99-8431	2	Washer-Thrust
32	325-6	6	Screw-HH	38	99-8432	2	Washer-Thrust

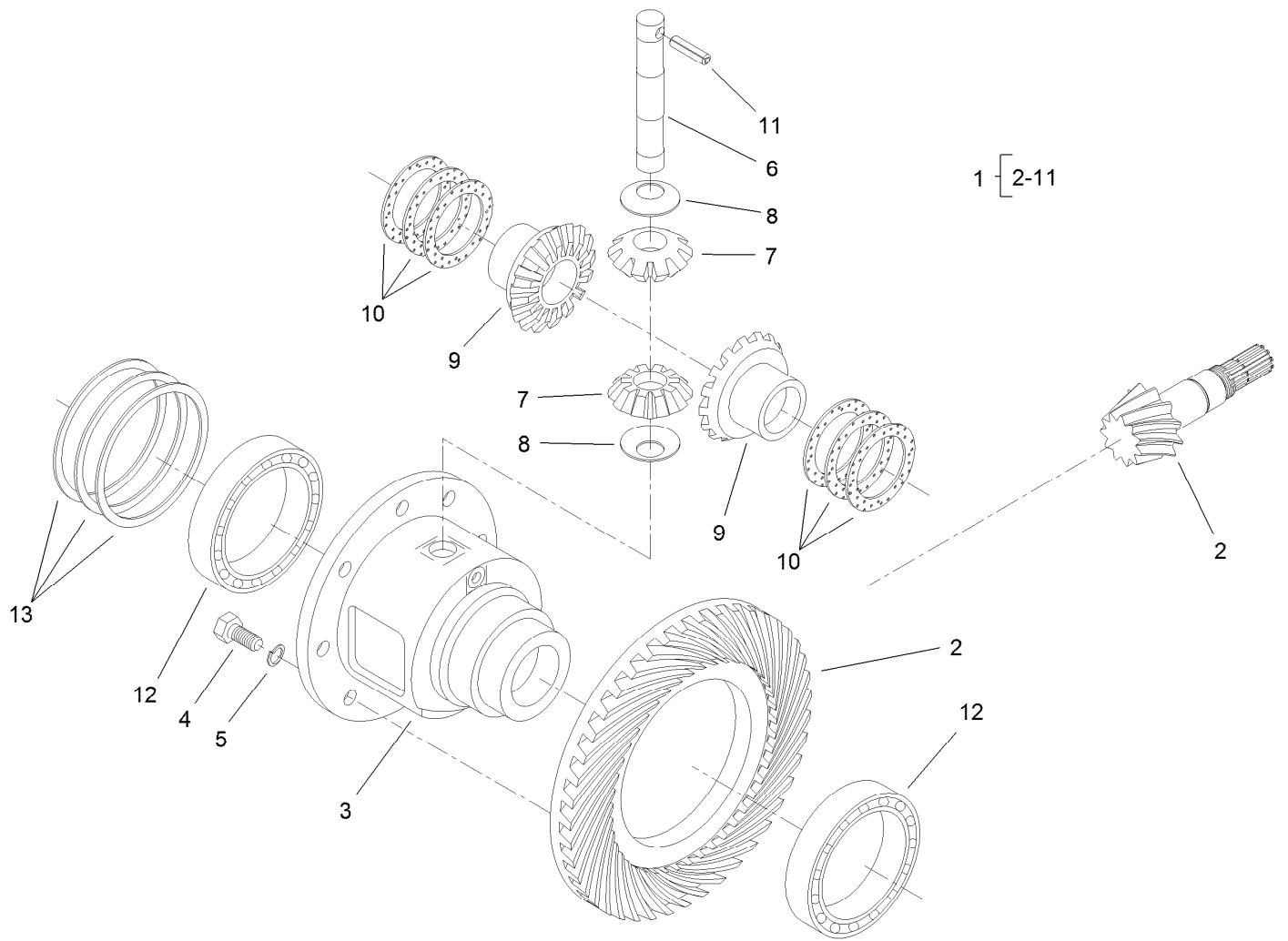
● Not serviced separately



Bevel Pinion Shaft Assembly Rear Axle Assembly No. 110-4750

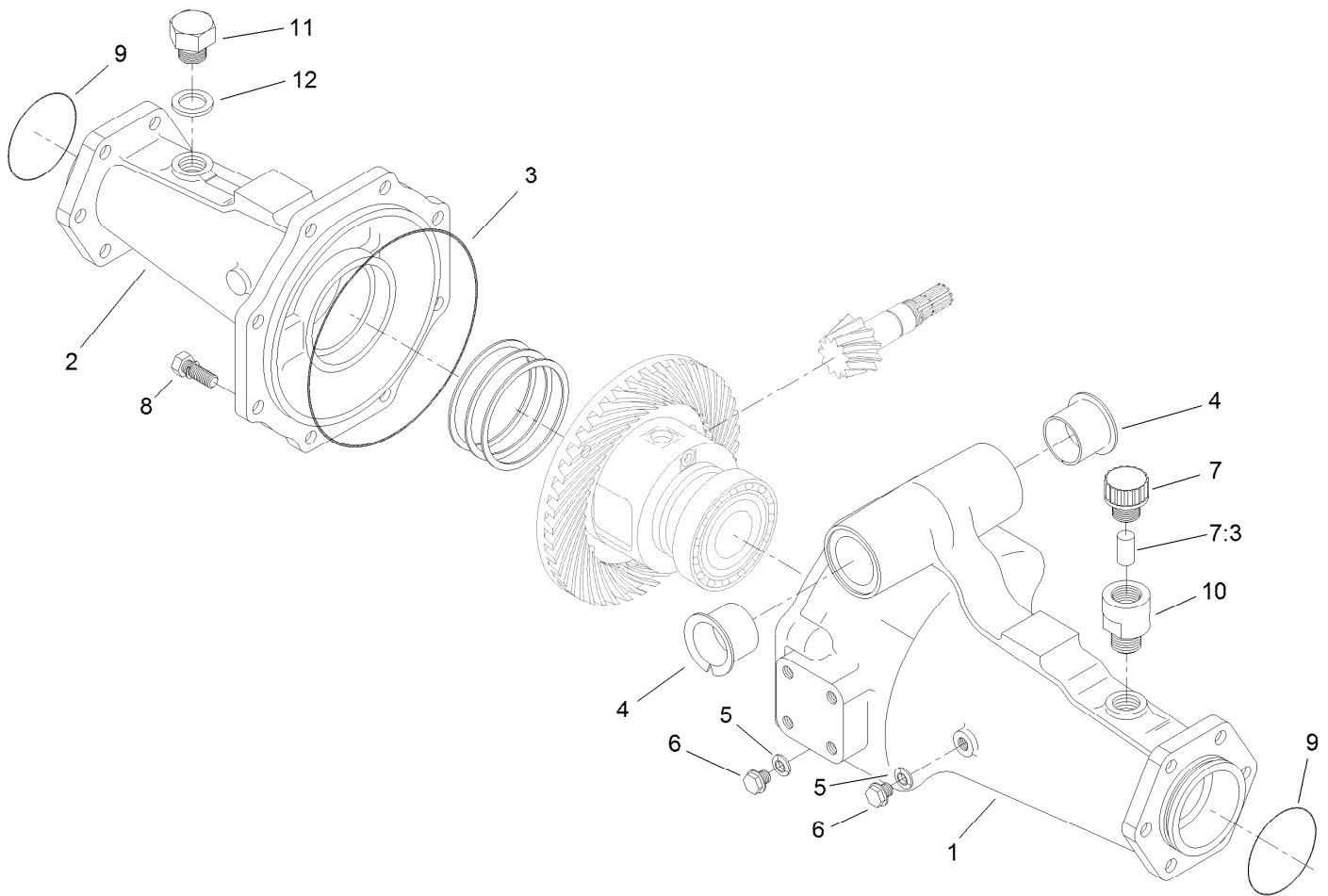
<i>Ref.</i>	<i>Part Number</i>	<i>Qty.</i>	<i>Description</i>
1	106-1093	1	Ring And Pinion Set
2	99-7570	2	Bearing-Roller, Taper
3	95-7534	1	Case-Bearing
4	106-1065	2	O-Ring
5	99-7572	1	Collar-Seal, Oil
6	106-1066	1	O-Ring
7	99-7574	1	Seal-Oil
8	99-7559	1	Washer-Lock
9	99-7560	1	Nut-Lock
10	99-7550	2	Shim 0.1

<i>Ref.</i>	<i>Part Number</i>	<i>Qty.</i>	<i>Description</i>
10	99-7551	2	Shim 0.2
11	95-7533	1	Case-Gear
12	99-7575	2	Bolt
13	98-7735	2	Stud
14	99-7527	2	Washer-Spring
15	99-7526	2	Nut
16	95-7541	1	Plate-Cover
17	106-1140	1	Gasket
18	104-2353	2	Pin-Dowel



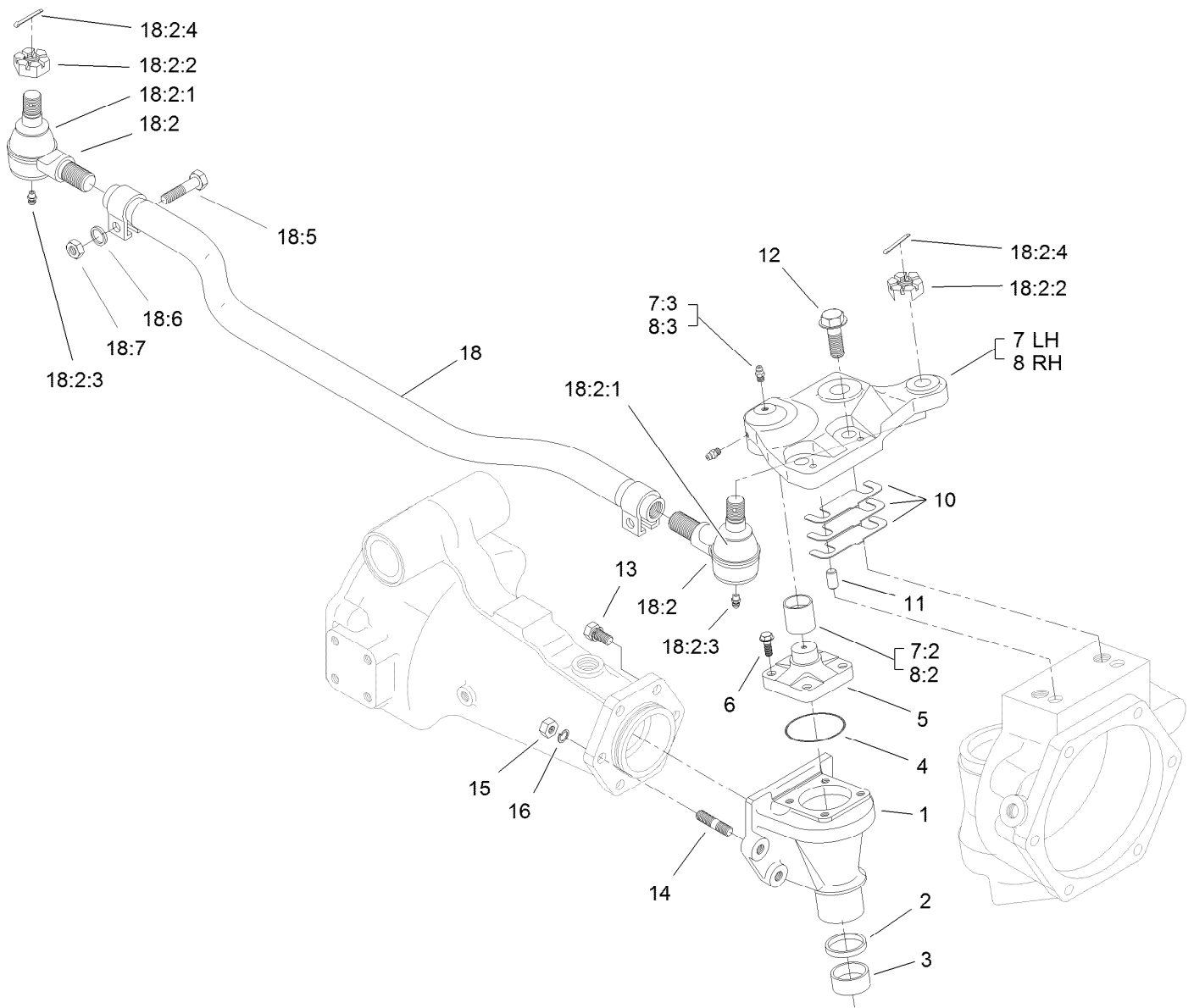
Differential Assembly Rear Axle Assembly No. 110-4750

<i>Ref.</i>	<i>Part Number</i>	<i>Qty.</i>	<i>Description</i>	<i>Ref.</i>	<i>Part Number</i>	<i>Qty.</i>	<i>Description</i>
1	95-7503	1	Differential ASM	10	99-7582	2	Washer-Differential
2	106-1093	1	Ring And Pinion Set	10	99-7583	2	Washer-Differential
3	95-7502	1	Case-Differential	10	99-7584	2	Washer-Differential
4	99-7576	8	Bolt	11	99-7588	1	Pin-Spring
5	3253-4	8	Washer-Lock	12	99-7562	2	Bearing-Ball
6	99-7578	1	Shaft-Differential	13	99-7585	2	Shim 0.1
7	99-7579	2	Pinion-Differential	13	99-7586	2	Shim 0.2
8	99-7580	2	Washer-Differential	13	99-7587	2	Shim 0.4
9	99-7581	2	Gear-Differential				



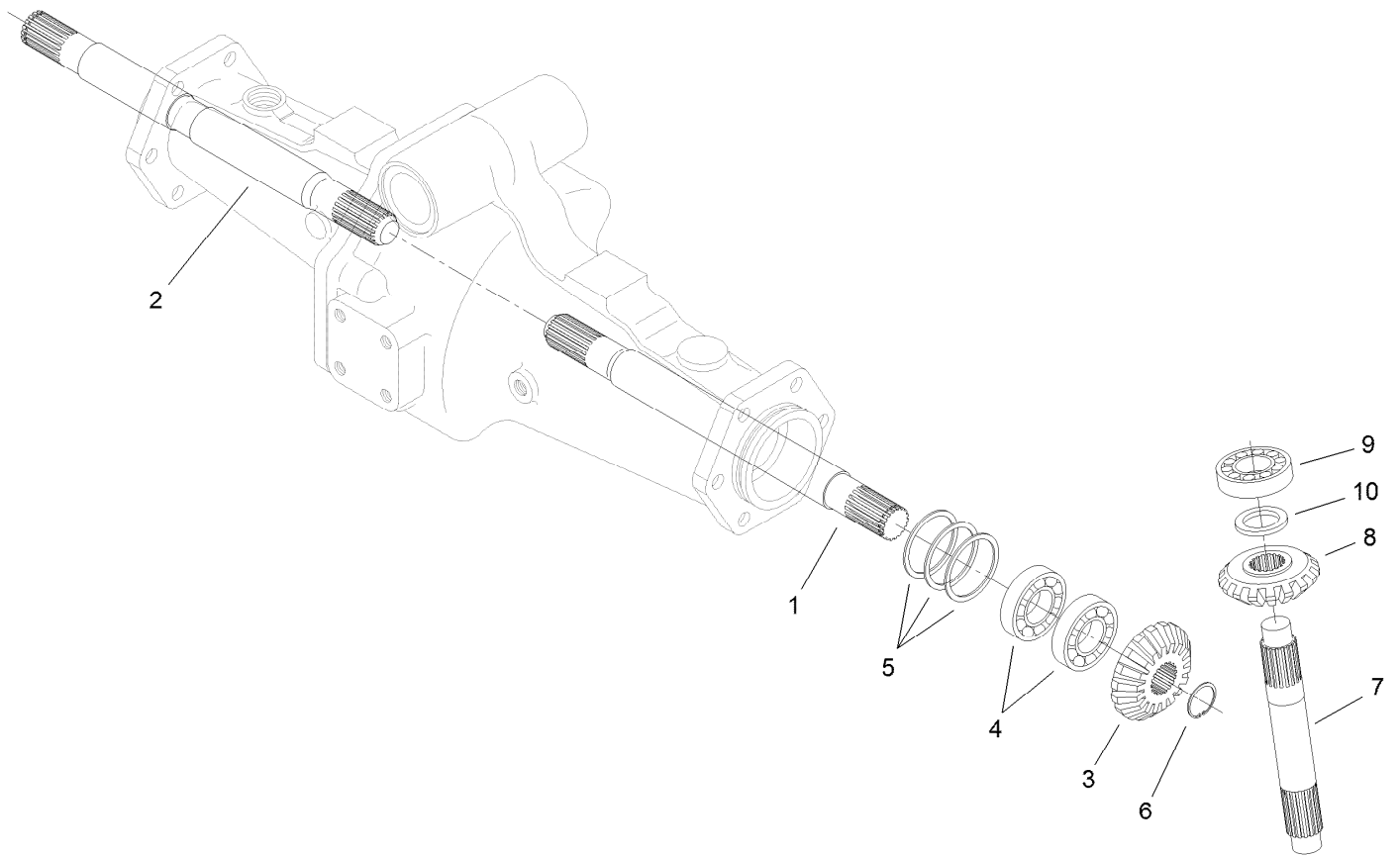
Axle Support Assembly Rear Axle Assembly No. 110-4750

<i>Ref.</i>	<i>Part Number</i>	<i>Qty.</i>	<i>Description</i>
1	95-7508	1	Support-Axle
2	95-7506	1	Support-Axle
3	106-1067	1	O-Ring
4	95-7537	2	Bushing-Flanged
5	99-7590	2	Washer-Seal
6	99-7589	2	Plug
7	110-4812	1	Axle Vent ASM
7:3	110-4815	1	Insert-Filter, Foam
8	99-7592	8	Bolt
9	106-1068	2	O-Ring
10	104-2377	1	Extension-Vent
11	104-8643	1	Plug
12	104-8644	1	O-Ring



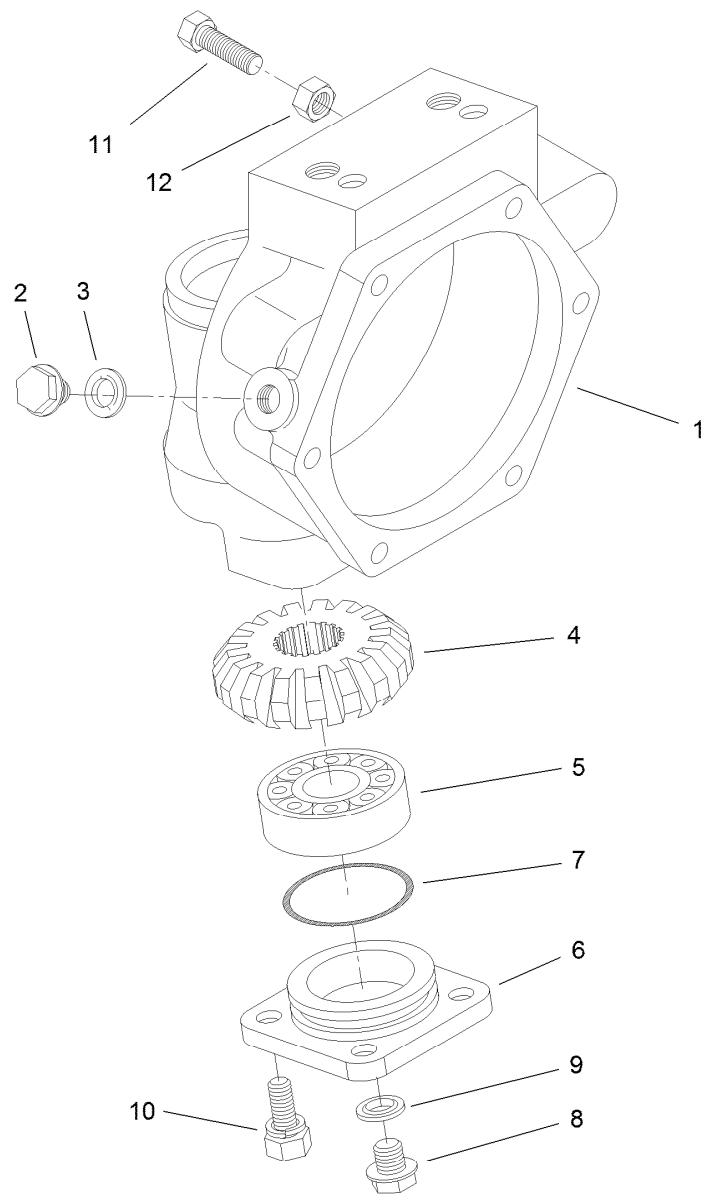
Bevel Gear Case Assembly Rear Axle Assembly No. 110-4750

Ref.	Part Number	Qty.	Description	Ref.	Part Number	Qty.	Description
1	110-4752	2	Case-Gear, Bevel	12	104-2375	4	Bolt
2	110-4754	2	Seal-Oil	13	99-7599	8	Bolt
3	104-2378	2	Bushing	14	99-7525	4	Stud
4	106-1069	2	O-Ring	15	99-7526	4	Nut
5	104-2373	2	Knuckle	16	99-7527	4	Washer-Spring
6	104-2374	8	Bolt	18	106-1141	1	Steering Tie Rod ASM
7	100-3768	1	LH Steering Arm ASM	18:2	106-1113	2	Tie Rod End ASM - RH Thread
7:2	104-8634	1	Bushing	18:2:1	100-3853	1	Cover-Dust
7:3	106-1104	2	Fitting-Grease	18:2:2	100-3854	1	Nut-Castle
8	100-3766	1	RH Steering Arm ASM	18:2:3	110-4755	1	Fitting-Grease
8:2	104-8634	1	Bushing	18:2:4	3272-11	1	Pin-Cotter
8:3	106-1104	2	Fitting-Grease	18:5	100-3855	2	Bolt
10	95-7547	2	Shim 0.1	18:6	99-7527	2	Washer-Spring
10	95-7548	2	Shim 0.2	18:7	99-7526	2	Nut
10	95-7549	2	Shim 0.3				
11	99-7597	4	Pin-Dowel				



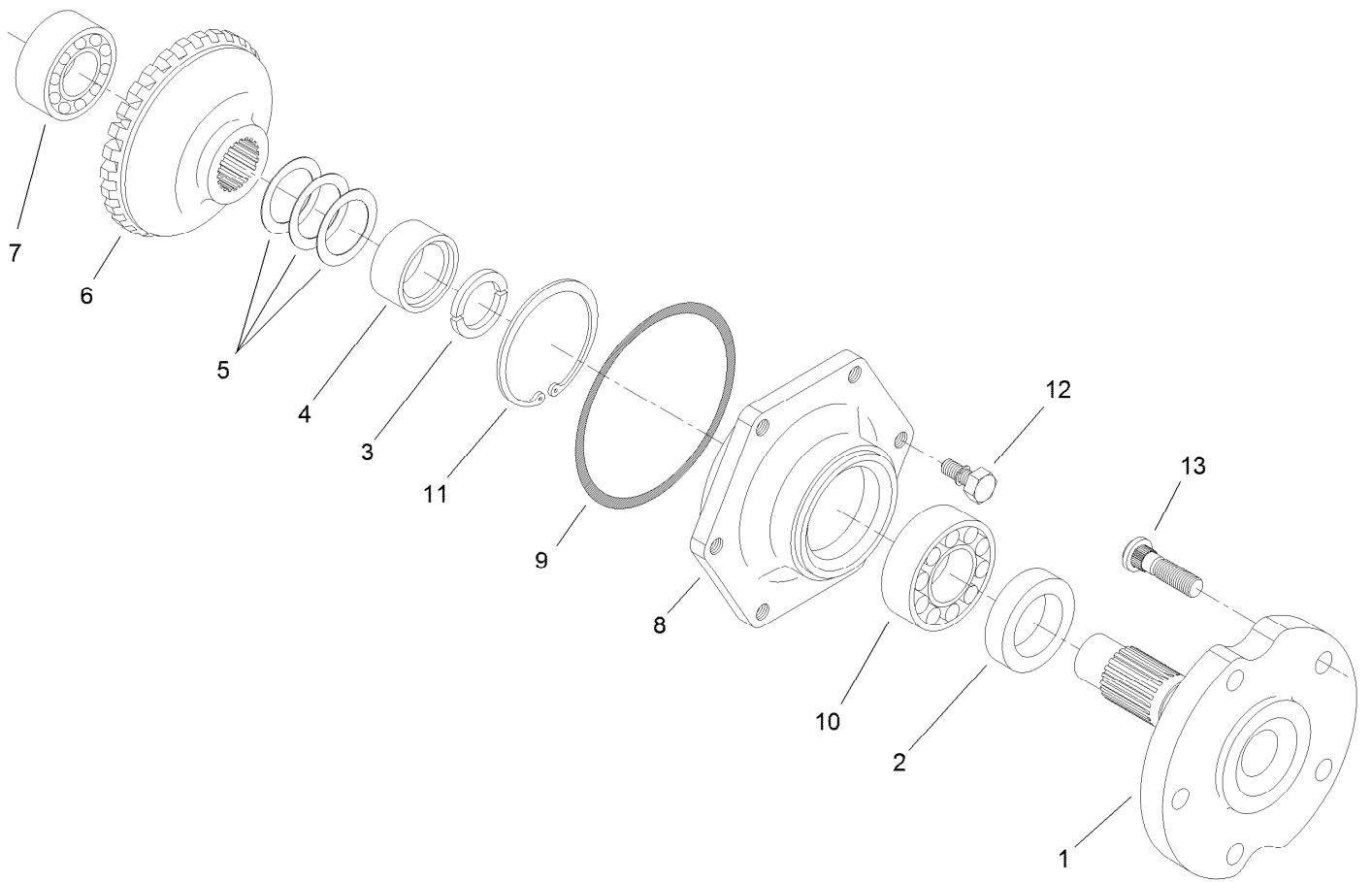
Bevel Gear Shaft Assembly Rear Axle Assembly No. 110-4750

<i>Ref.</i>	<i>Part Number</i>	<i>Qty.</i>	<i>Description</i>
1	95-7509	1	Shaft-Gear, Differential
2	95-7512	1	Shaft-Gear, Differential
3	95-7517	2	Gear-Bevel, 15 Tooth
4	99-7530	4	Bearing-Ball
5	99-7552	2	Shim 0.1
5	99-7553	2	Shim 0.2
5	99-7554	2	Shim 0.5
6	99-7531	2	Clip
7	110-4753	2	Shaft-Gear, Bevel
8	95-7519	2	Gear-Bevel, 17 Tooth
9	99-7532	2	Bearing-Roller, Taper
10	99-7558	2	Collar



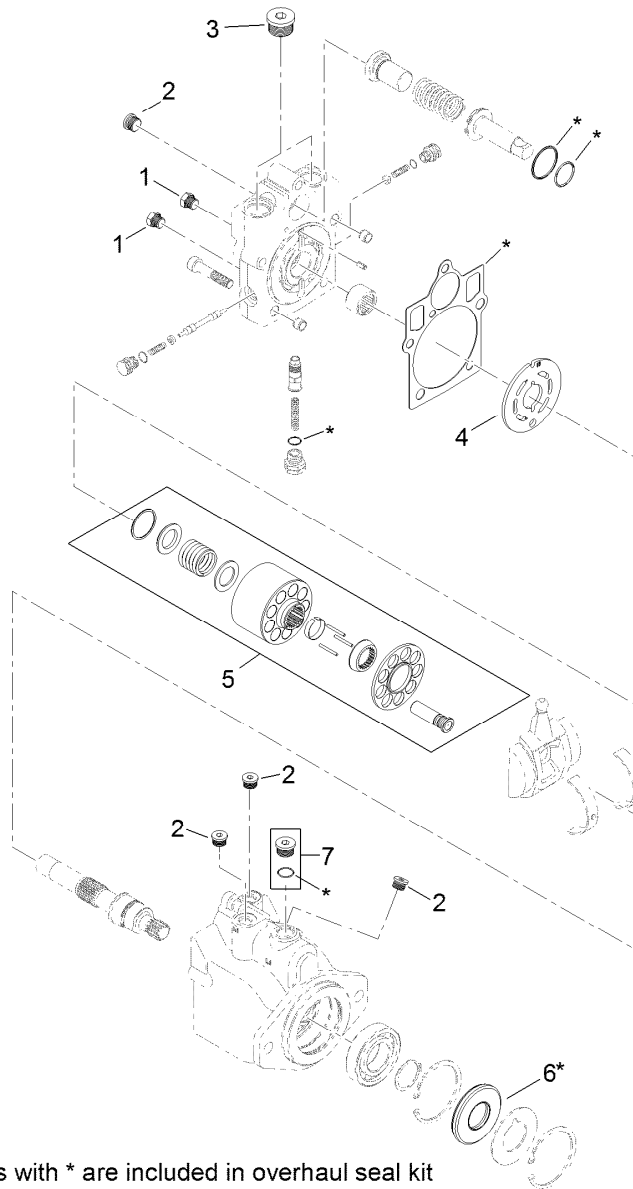
Axle Case Assembly Rear Axle Assembly No. 110-4750

<i>Ref.</i>	<i>Part Number</i>	<i>Qty.</i>	<i>Description</i>
1	110-4751	2	Case-Axle
2	99-7535	2	Plug
3	99-7536	2	Washer-Seal
4	95-7527	2	Gear-Bevel, 17 Tooth
5	99-7532	2	Bearing-Roller, Taper
6	100-2560	2	Cover
7	106-1070	2	O-Ring
8	99-7589	2	Plug
9	99-7590	2	Washer-Seal
10	100-2562	8	Bolt
11	106-1102	2	Bolt-Stop
12	106-1103	2	Nut



Axle Assembly Rear Axle Assembly No. 110-4750

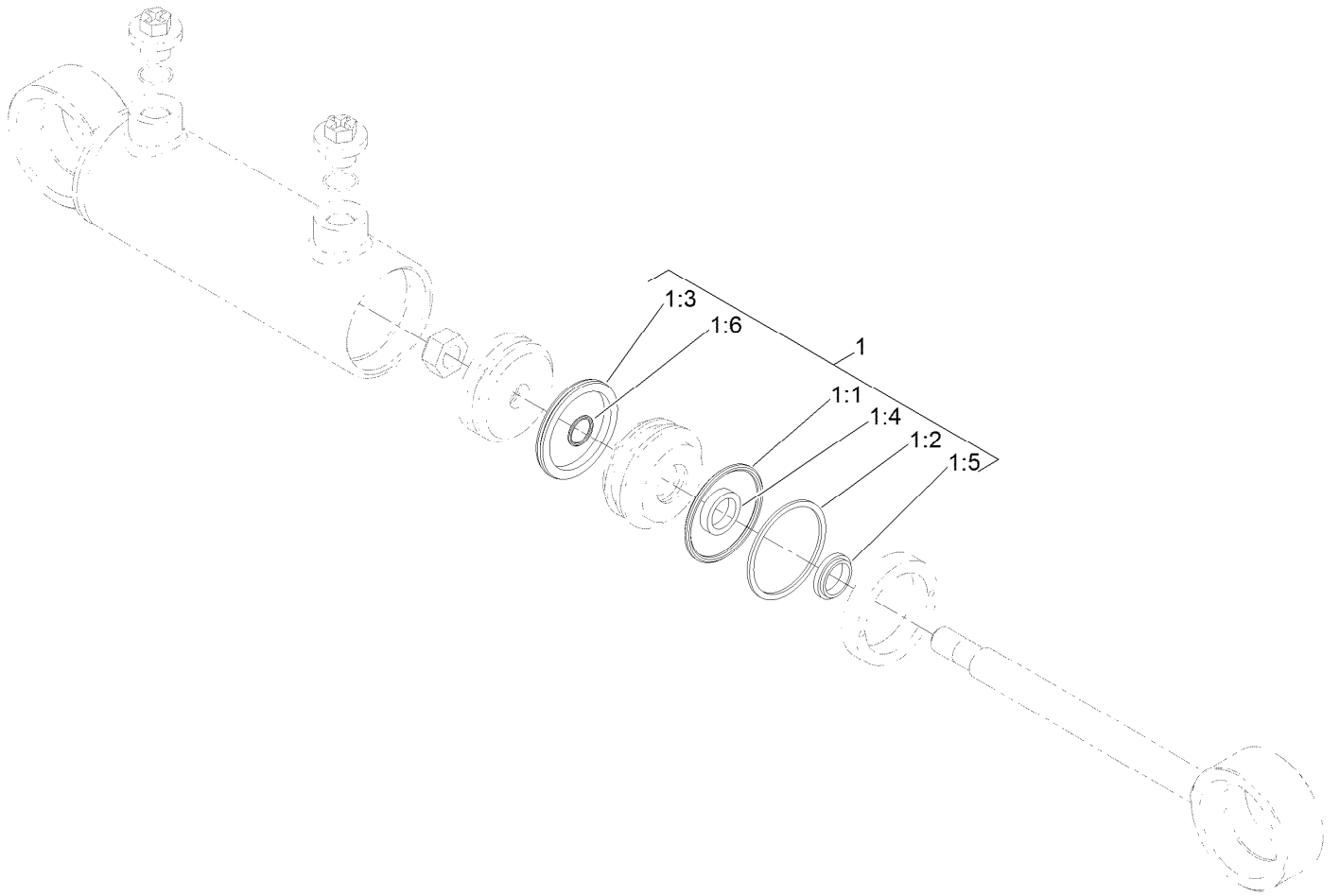
<i>Ref.</i>	<i>Part Number</i>	<i>Qty.</i>	<i>Description</i>
1	95-7522	2	Axle
2	99-7564	2	Seal-Oil
3	95-7544	4	Clip
4	95-7523	2	Spacer
5	99-7555	2	Shim 0.3
5	99-7556	2	Shim 0.2
5	99-7557	2	Shim 0.5
6	95-7524	2	Gear-Bevel, 29 Tooth
7	99-7534	2	Bearing-Ball
8	95-7521	2	Cover-Axle
9	106-1071	2	O-Ring
10	99-7561	2	Bearing-Ball
11	99-7539	2	Clip
12	99-7596	12	Bolt
13	99-7563	10	Stud



8 = all items with * are included in overhaul seal kit

Hydraulic Motor Assembly No. 120-8814

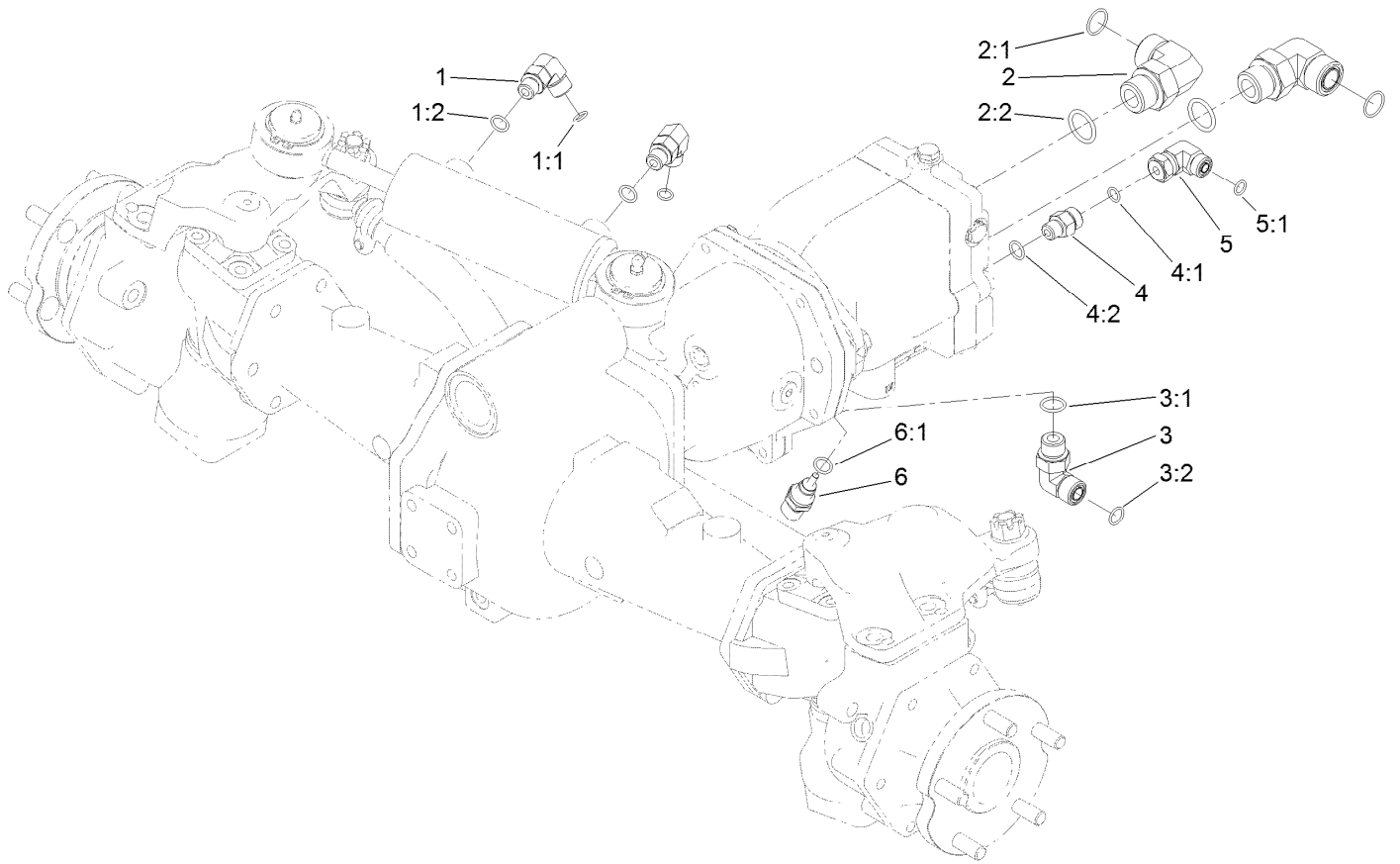
<i>Ref.</i>	<i>Part Number</i>	<i>Qty.</i>	<i>Description</i>
1	92-1352	2	Plug
2	69-3080	5	Plug
3	69-3130	2	Plug
4	121-1734	1	Plate-Valve
5	110-6472	1	Cylinder Block Kit ASM
6	69-3190	1	Seal-Lip
7	67-9090	1	Plug
8	121-1736	1	Overhaul Seal Kit



Steering Cylinder Assembly No. 121-1534

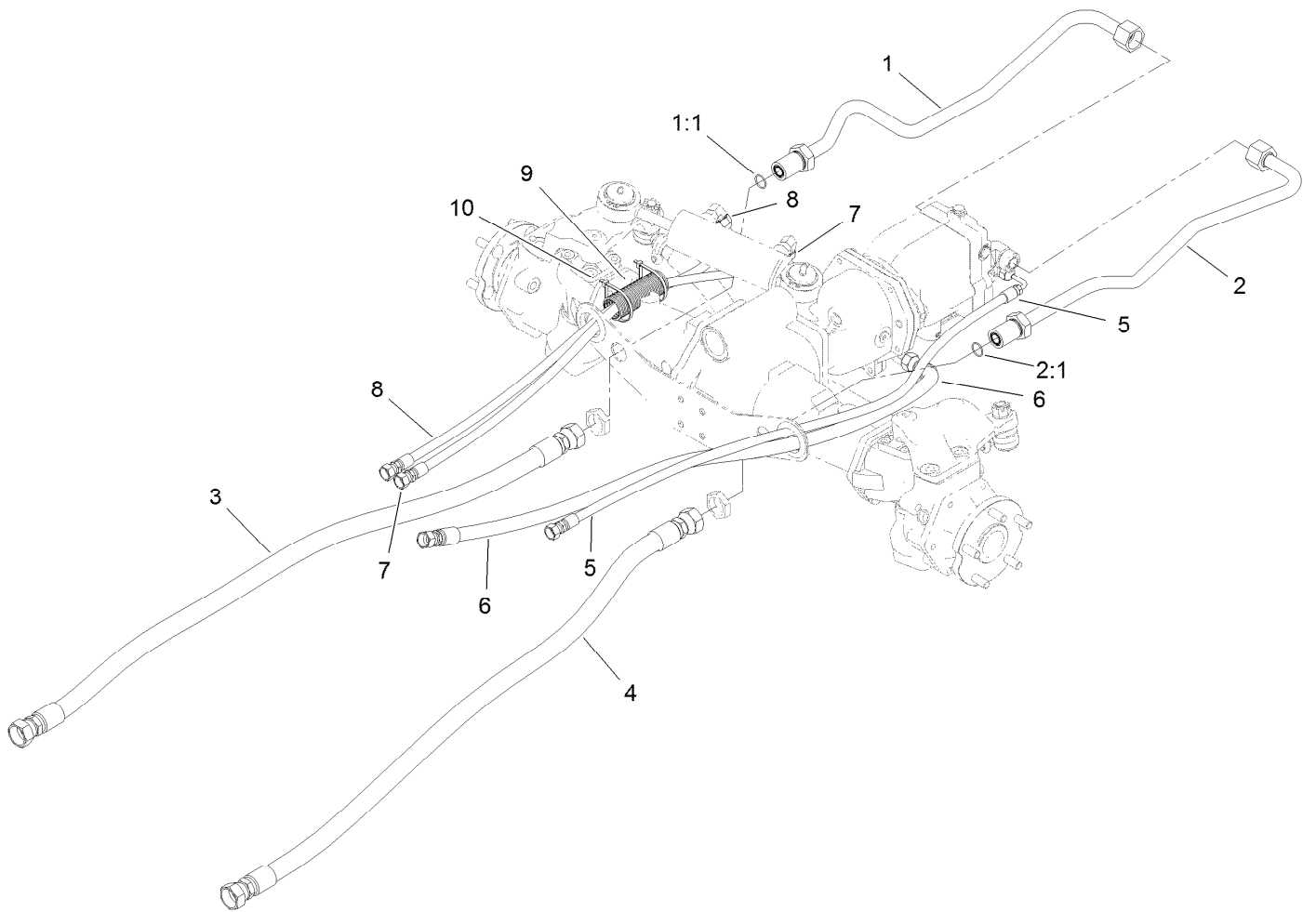
<i>Ref.</i>	<i>Part Number</i>	<i>Qty.</i>	<i>Description</i>
1	125-4302	1	Seal Kit
1:1		1	O-Ring ●
1:2		1	Backup ●
1:3		1	Bp Seal ●
1:4		1	Bt Seal ●
1:5		1	Dust Seal ●
1:6		1	O-Ring ●

● Not serviced separately



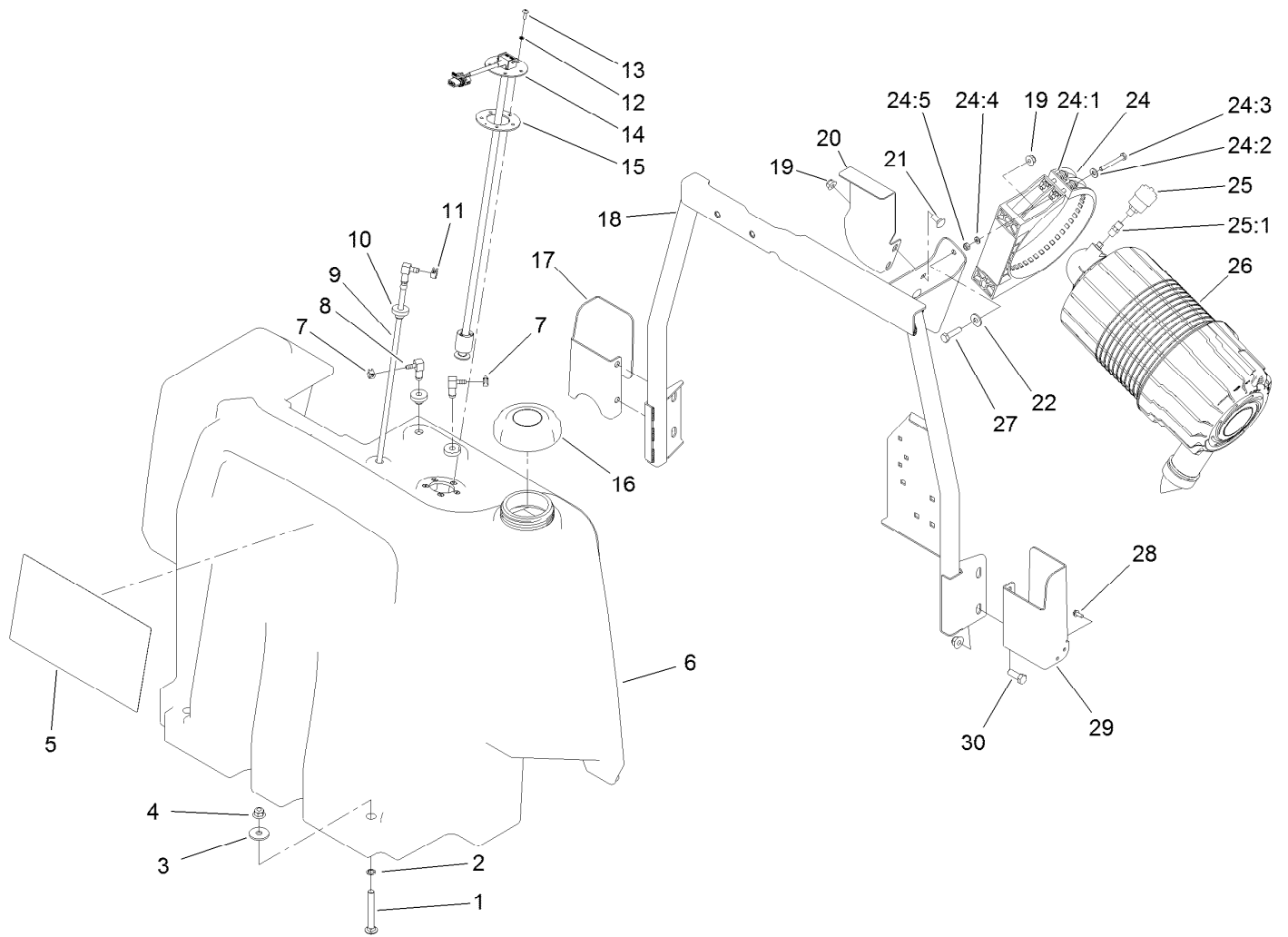
Hydraulic Fitting Assembly

<i>Ref.</i>	<i>Part Number</i>	<i>Qty.</i>	<i>Description</i>	<i>Ref.</i>	<i>Part Number</i>	<i>Qty.</i>	<i>Description</i>
1	340-77	2	Fitting-Elbow, 90 DEG	3:2	237-30	1	O-Ring
1:1	237-22	1	O-Ring	4	340-2	1	Fitting-Straight
1:2	237-42	1	O-Ring	4:1	237-22	1	O-Ring
2	340-142	2	Fitting-Elbow, 90 DEG	4:2	237-42	1	O-Ring
2:1	237-58	1	O-Ring	5	340-159	1	Elbow-90
2:2	237-81	1	O-Ring	5:1	237-22	2	O-Ring
3	340-98	1	Fitting-Elbow, 90 DEG	6	110-8829	1	Sender-Temperature
3:1	237-79	1	O-Ring	6:1	237-42	1	O-Ring



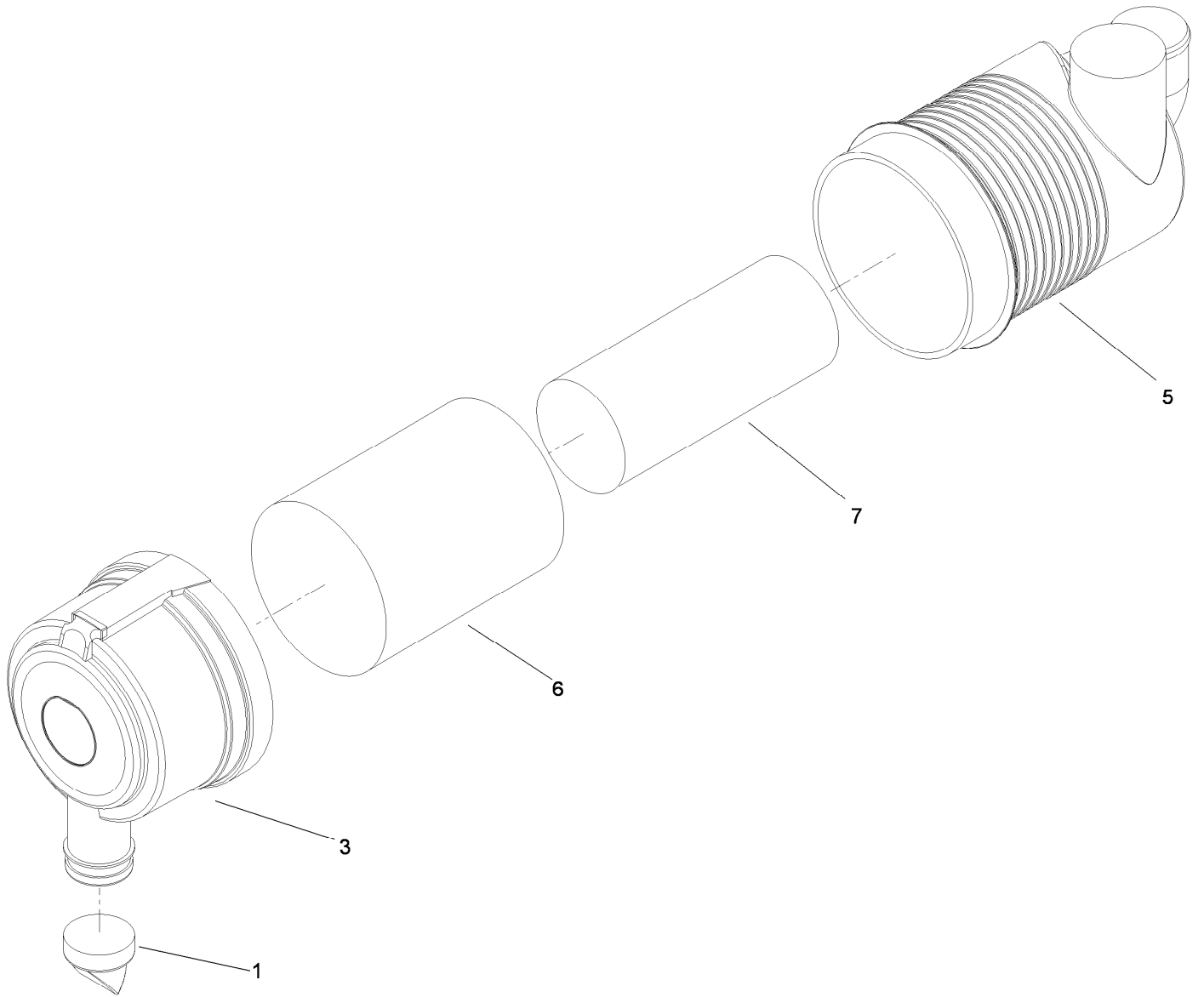
Hose and Tube Routing Assembly

<i>Ref.</i>	<i>Part Number</i>	<i>Qty.</i>	<i>Description</i>
1	120-9067	1	HYD Tube ASM
1:1	237-58	1	O-Ring
2	120-9068	1	Tube ASM
2:1	237-58	1	O-Ring
3	121-1502	1	Hose-HYD
4	114-0024	1	Hose-HYD
5	121-1459	1	Hose-HYD
6	121-1458	1	Hose-HYD
7	121-1500	1	Hose-HYD
8	121-1501	1	Hose-HYD
9	121-1544	2	Cover-Hose
10	3290-379	4	Tie-Cable



Fuel Tank and Air Cleaner Assembly

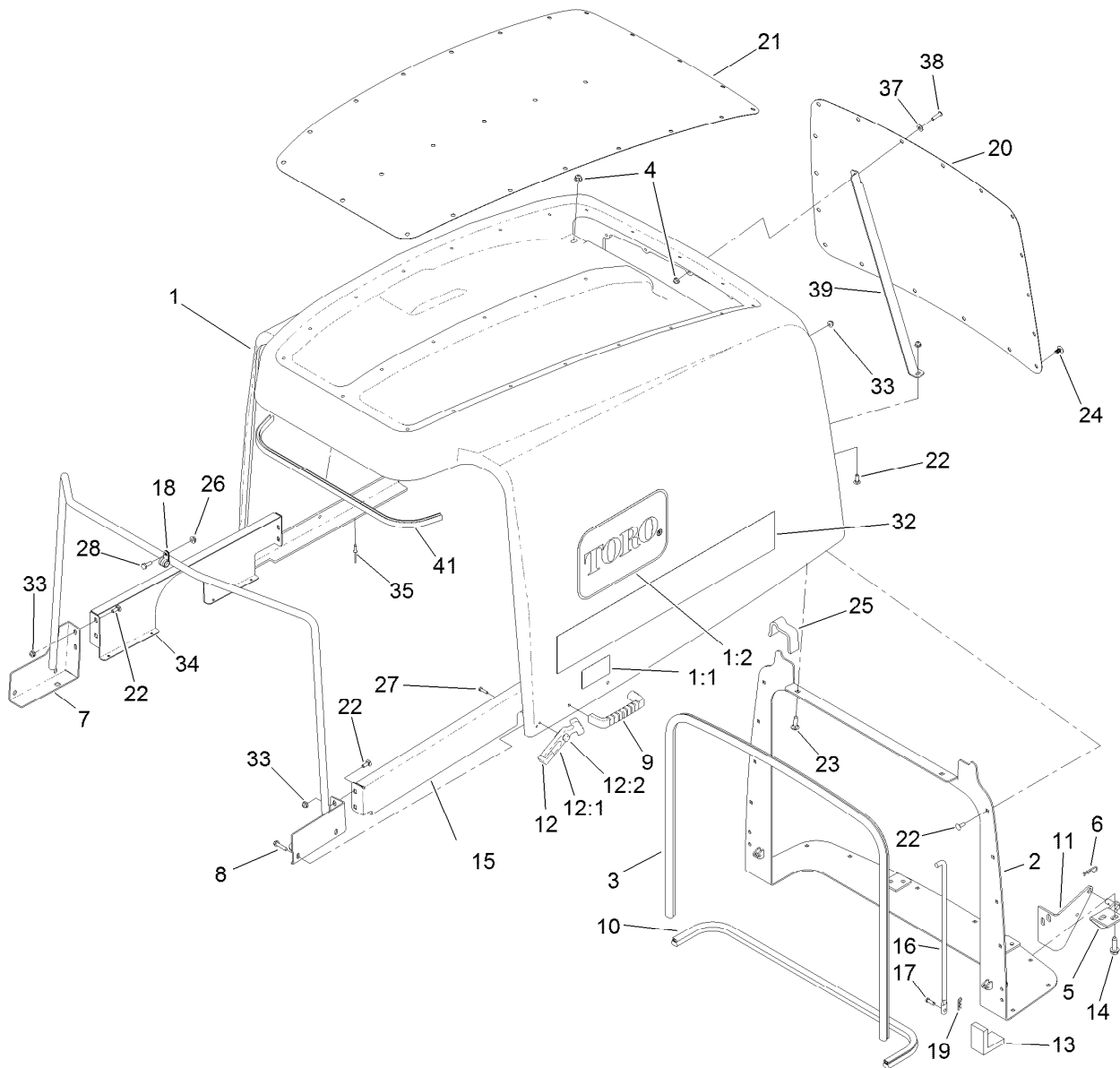
Ref.	Part Number	Qty.	Description	Ref.	Part Number	Qty.	Description
1	3231-10	2	Screw-CARR	19	104-8300	4	Nut-HF, NI
2	32151-72	2	Ring-Retaining	20	120-4193-03	1	Bracket-Fuel Tank
3	63-8410	2	Washer	21	3230-1	2	Bolt-CARR
4	104-8301	6	Nut-HF, NI	22	3256-3	2	Washer-Flat
5	130-6043	1	Decal-Service	24	99-5414	1	Strap-Cleaner, Air
6	120-4195	1	Tank-Fuel	24:1	108-1512	2	Spring
7	2412-98	2	Clamp-Hose	24:2	3256-22	2	Washer-Flat
8	104-5228	2	Fitting-Elbow, 90 DEG	24:3	33113-050	2	Screw-HH
9	120-8908	1	Pipe-Stand	24:4	33093-00	2	Washer-Flat
10	46-6560	3	Bushing	24:5	33023-00	2	Nut-Lock
11	92-2379	1	Clamp-Hose	25	104-3563	1	Indicator
12	3253-15	5	Washer-Lock	25:1	94-1416	1	Adapter-Indicator
13	32122-24	5	Screw-PTH	26	99-5410	1	Air Cleaner ASM
14	121-1688	1	Gauge-Fuel	27	322-6	2	Screw-HH
15	121-1707	1	Gasket-Fuel, Viton	28	32144-1	4	Screw-Taptite
16	125-9171	1	Cap-Fuel	29	121-1513-03	1	Bracket-Latch, LH
17	121-1514-03	1	Bracket-Latch, RH	30	323-6	4	Screw-HH
18	120-4190-03	1	Support-Tank				



Air Cleaner Assembly No. 99-5410

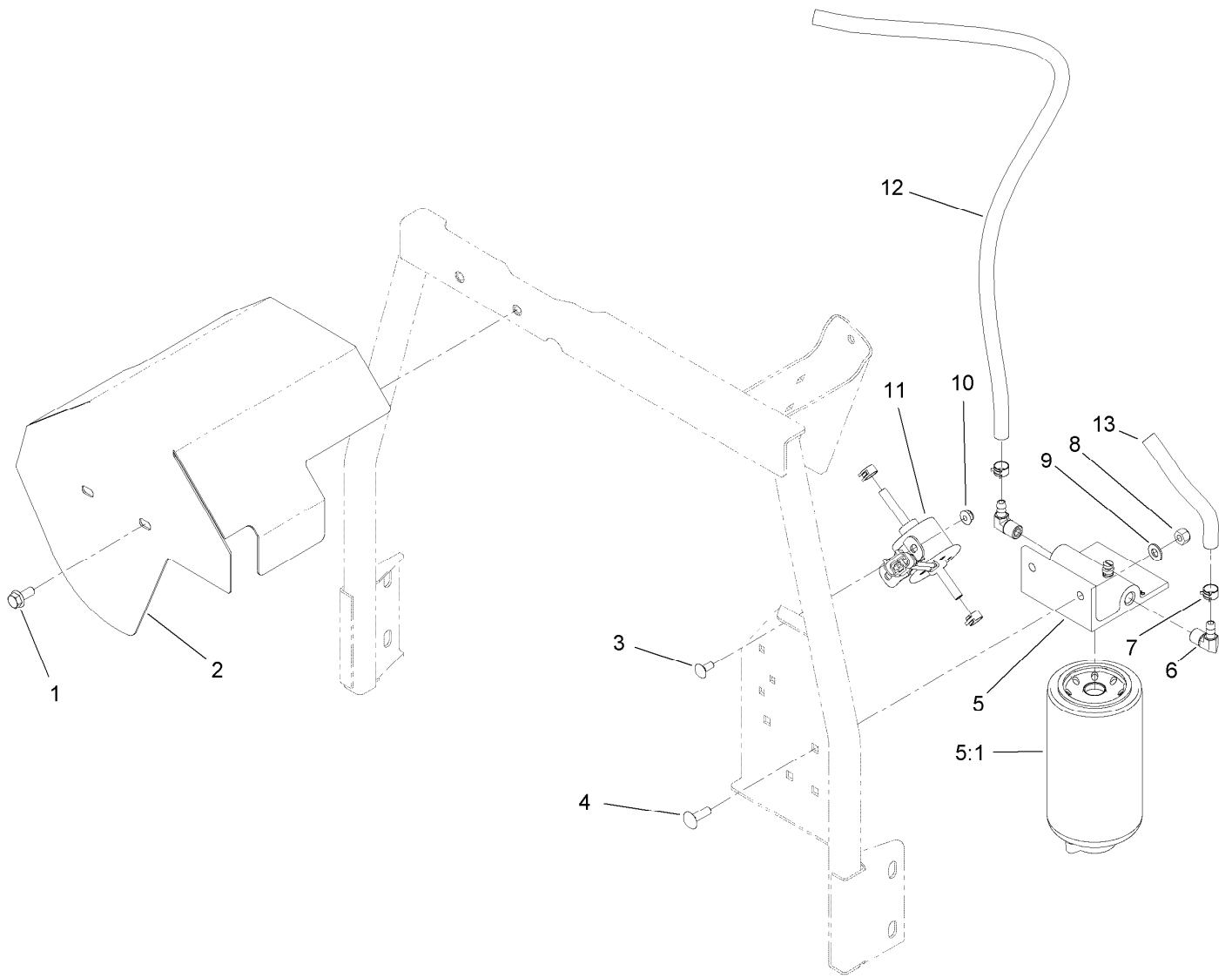
Ref.	Part Number	Qty.	Description
1	104-4258	1	Valve-Vacuator
2	104-4259	1	Cover
3		1	Body ASM ●
4	108-3814	1	Filter-Air
5	108-3816	1	Filter-Air

● Not serviced separately



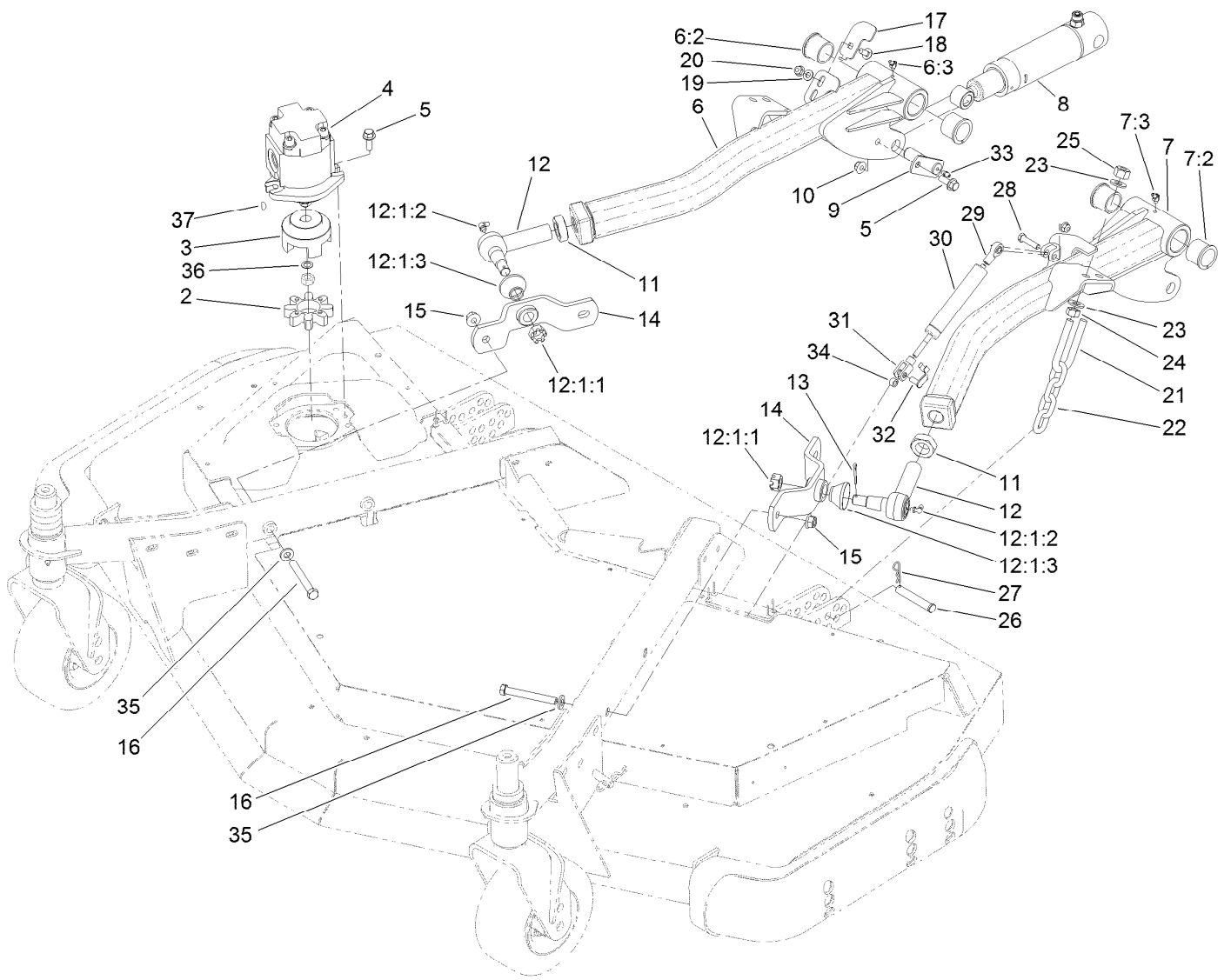
Hood Assembly

Ref.	Part Number	Qty.	Description	Ref.	Part Number	Qty.	Description
1	120-9090	1	Hood ASM	17	283-67	2	Pin-Clevis
1:1	106-6754	1	Decal-Danger	18	2412-134	2	Clamp-R
1:2	66-1210	2	Decal	19	3290-307	2	Pin-Cotter
2	120-9099-03	1	Pivot-Hood	20	120-9096-03	1	Screen-Hood, Rear
3	114-3823	1	Seal-Bulb	21	120-9097-03	1	Screen-Hood, Top
4	104-8300	2	Nut-HF, NI	22	3229-1	24	Screw-CARR
5	121-1470	2	Pivot-Screen	23	3230-2	2	Bolt-CARR
6	3290-467	2	Pin-Hair	24	117-2382	42	Plug-Plastic
7	120-4196-03	1	Support-Hood	25	120-9087	2	Seal-Foam
8	46-8092	4	Screw-Plastite	26	32128-33	2	Nut-HF
9	65-5100	2	Handle-Door	27	32104-4	2	Screw
10	104-3590	1	Seal-Bulb	28	321-4	2	Screw-HH
11	104-3588-03	2	Pivot-Screen	32	106-2045	2	Decal-Hood
12	94-5626	2	Flexible Draw Latch ASM	33	104-7201	25	Nut-HF
12:1	103-4080	1	Latch-Rubber	34	120-8948-03	1	Support-Hood, RH
12:2	103-4081	1	Latch-Keeper	35	3269-4	8	Rivet-Pop
13	104-3580	2	Seal-Corner, Screen	37	3256-1	1	Washer-Flat
14	32144-109	8	Screw-Thd	38	3274-65	1	Screw-HSBH
15	120-8949-03	1	Support-Hood, LH	39	127-3707-03	1	Support-Hood
16	104-8313	2	Rod-Hood	41	132-6181	1	Trim



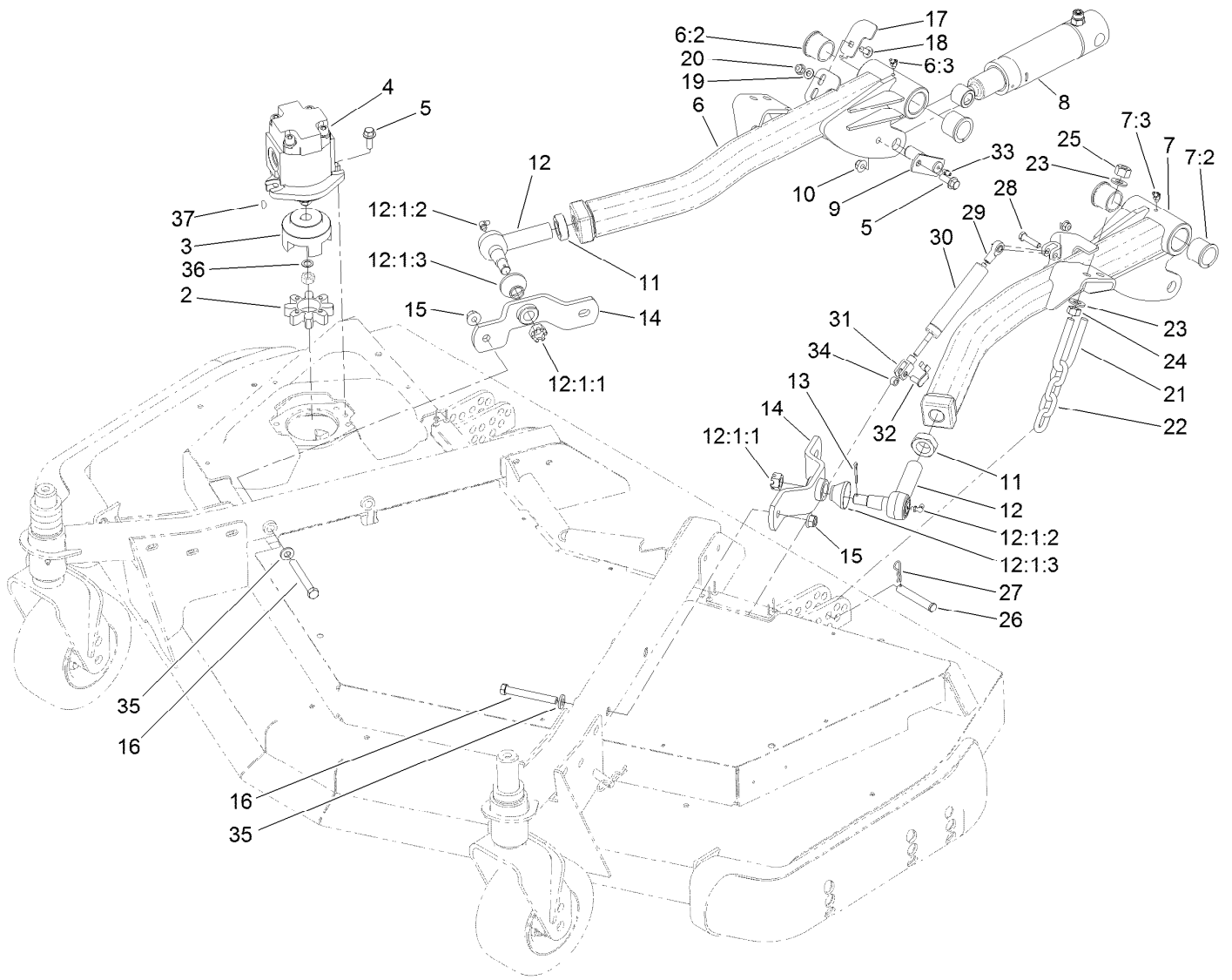
Fuel/Water Separator and Shield Assembly

<i>Ref.</i>	<i>Part Number</i>	<i>Qty.</i>	<i>Description</i>
1	3234-47	2	Screw-HHF
2	120-4188-03	1	Bracket-Guard, Fuel Tank
3	3229-11	2	Screw-CARR
4	3230-22	2	Screw-CARR
5	125-2914	1	Filter-Separator
5:1	125-2915	1	Filter-Fuel/Water Separator
6	353-781	2	Fitting-HYD, 90
7	92-2379	4	Clamp-Hose
8	3296-29	2	Nut-Lock, NI
9	3256-23	2	Washer-Plain
10	104-7201	2	Nut-HF
11	121-5613	1	Pump-Fuel, Electric
12	109-0309	1	Hose-Fuel
13	110-3256	1	Hose-Fuel



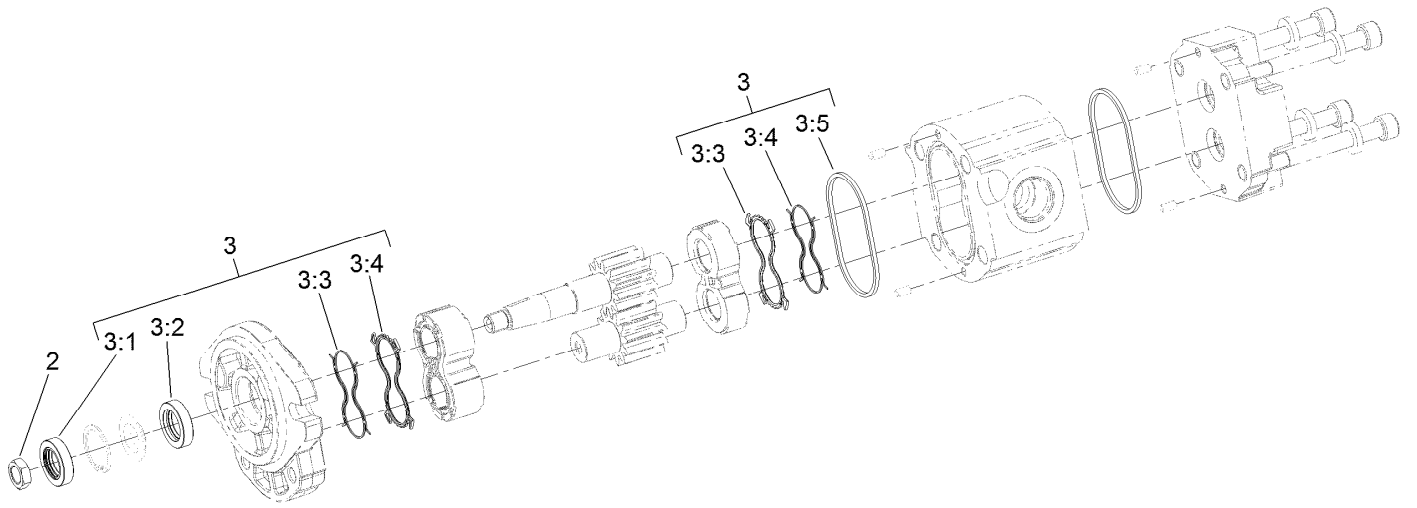
Front Deck Installation Assembly

Ref.	Part Number	Qty.	Description	Ref.	Part Number	Qty.	Description
2	104-3542	1	Spider	16	324-19	4	Screw-HH
3	104-3541	1	Hub-Spider	17	120-8893	1	Plate-Sensor
4	127-3694	1	HYD Motor ASM	18	3230-23	1	Screw-CARR
5	3234-42	4	Screw-HHF	19	3256-23	1	Washer-Plain
6	120-8878	1	RH Lift Arm ASM	20	104-8300	2	Nut-HF, NI
6:2	104-0015	2	Bushing-Flange	21	104-0108	2	U-Bolt
6:3	302-11	1	Fitting-Lube, 45 DEG	22	95-6231	2	Chain-HOC
7	120-8879	1	LH Lift Arm ASM	23	3256-26	8	Washer-Flat
7:2	104-0015	2	Bushing-Flange	24	3217-9	4	Nut-HH
7:3	302-11	1	Fitting-Lube, 45 DEG	25	3296-25	4	Nut-Lock, NI
8	120-8802	2	HYD Cylinder ASM	26	283-55	2	Pin-Clevis
9	100-3020	2	Pin	27	3290-467	2	Pin-Hair
10	104-8301	2	Nut-HF, NI	28	322-17	1	Screw-HH
11	21-3001	2	Nut-Jam	29	104-8331	1	End-Rod, Spherical
12	86-8101-01	2	Joint-Ball, LH	30	105-3249	1	Damper
12:1:1	32136-2	1	Nut-SHH	31	115-5455	1	End-Rod, Clevis
12:1:2	302-40	1	Fitting-Grease, 90 DEG	32	115-5454	1	Pin-Spring
12:1:3	114-2874	1	Seal-Ball Joint	33	302-5	2	Fitting-Grease
13	3272-12	2	Pin-Cotter	34	115-2142	1	Spacer
14	93-4583-01	2	Mount-Joint, Ball	35	87-7480	4	Washer
15	114-8417	4	Nut-HF, NI				



Front Deck Installation Assembly (continued)

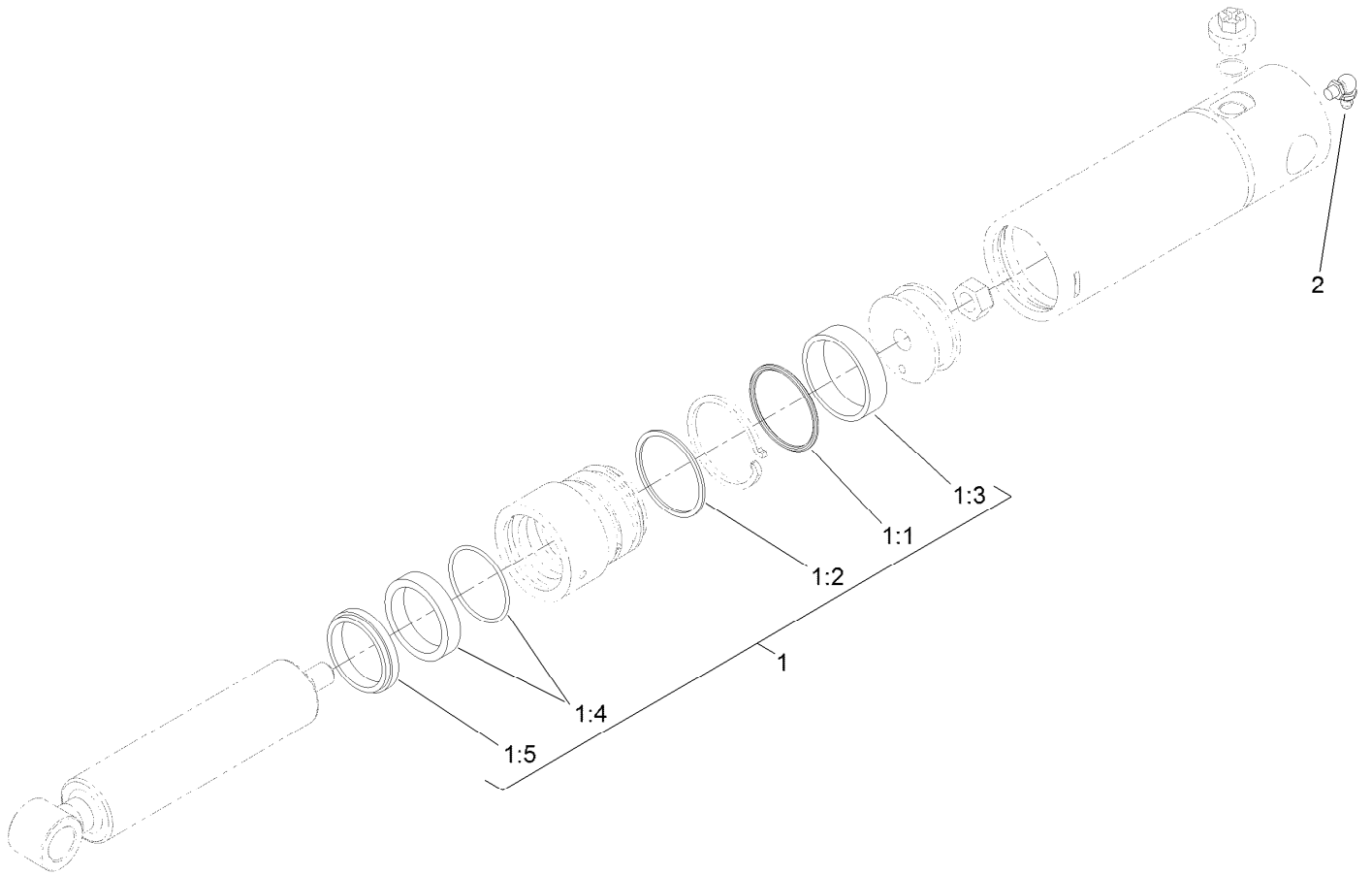
<i>Ref.</i>	<i>Part Number</i>	<i>Qty.</i>	<i>Description</i>
36	112-6957	1	Washer-Hardened
37	3257-3	1	Key-Woodruff



Hydraulic Motor Assembly No. 127-3694

Ref.	Part Number	Qty.	Description
2	110-8815	1	Nut-Hex
3	114-5620	1	Seal Kit
3:1		1	Seal-Shaft ●
3:2		1	Seal-Shaft ●
3:3		2	Seal-Anti Extrusion ●
3:4		2	Seal-Plate, Balancing ●
3:5		2	O Ring-Housing ●

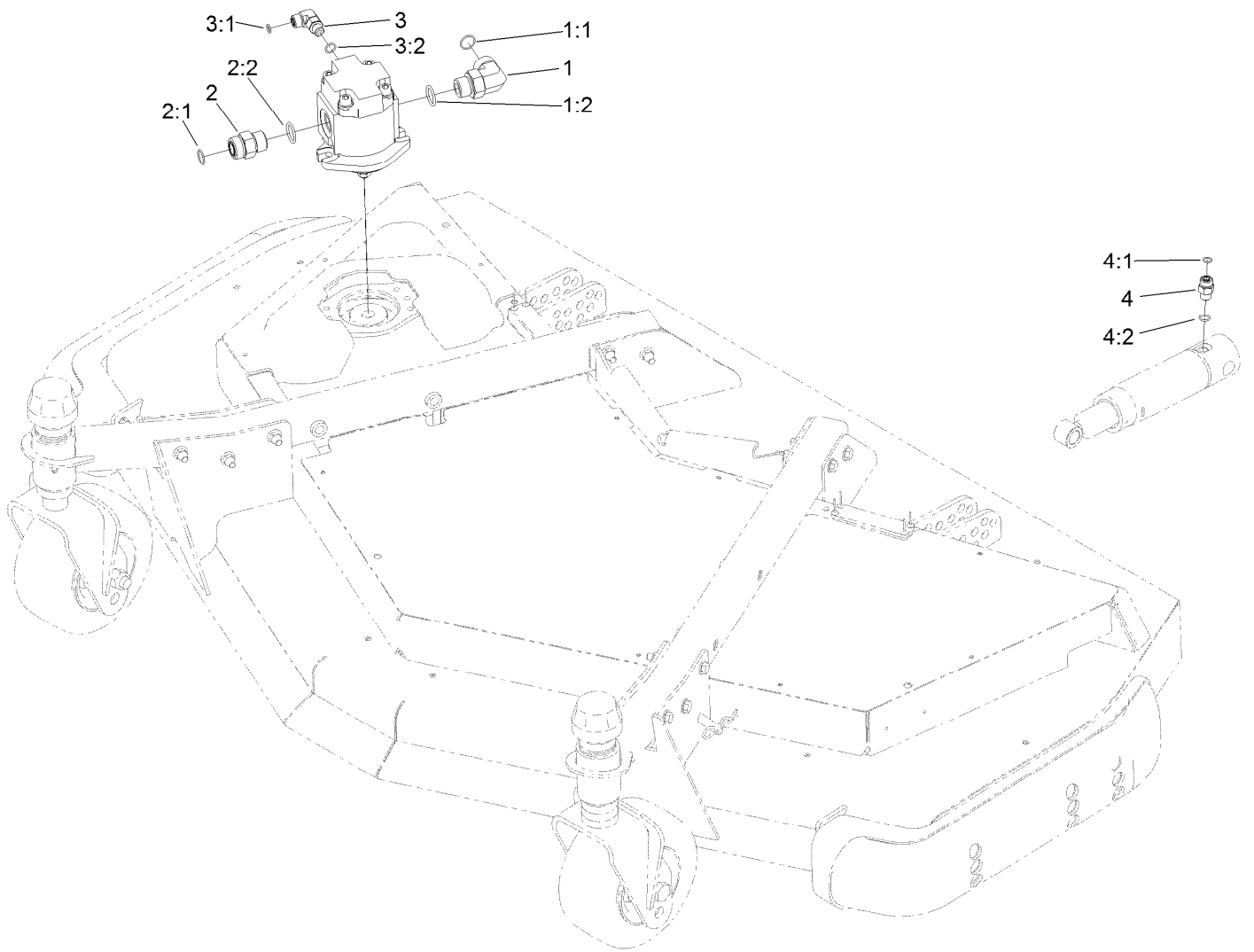
● Not serviced separately



Lift Cylinder Assembly No. 120-8802

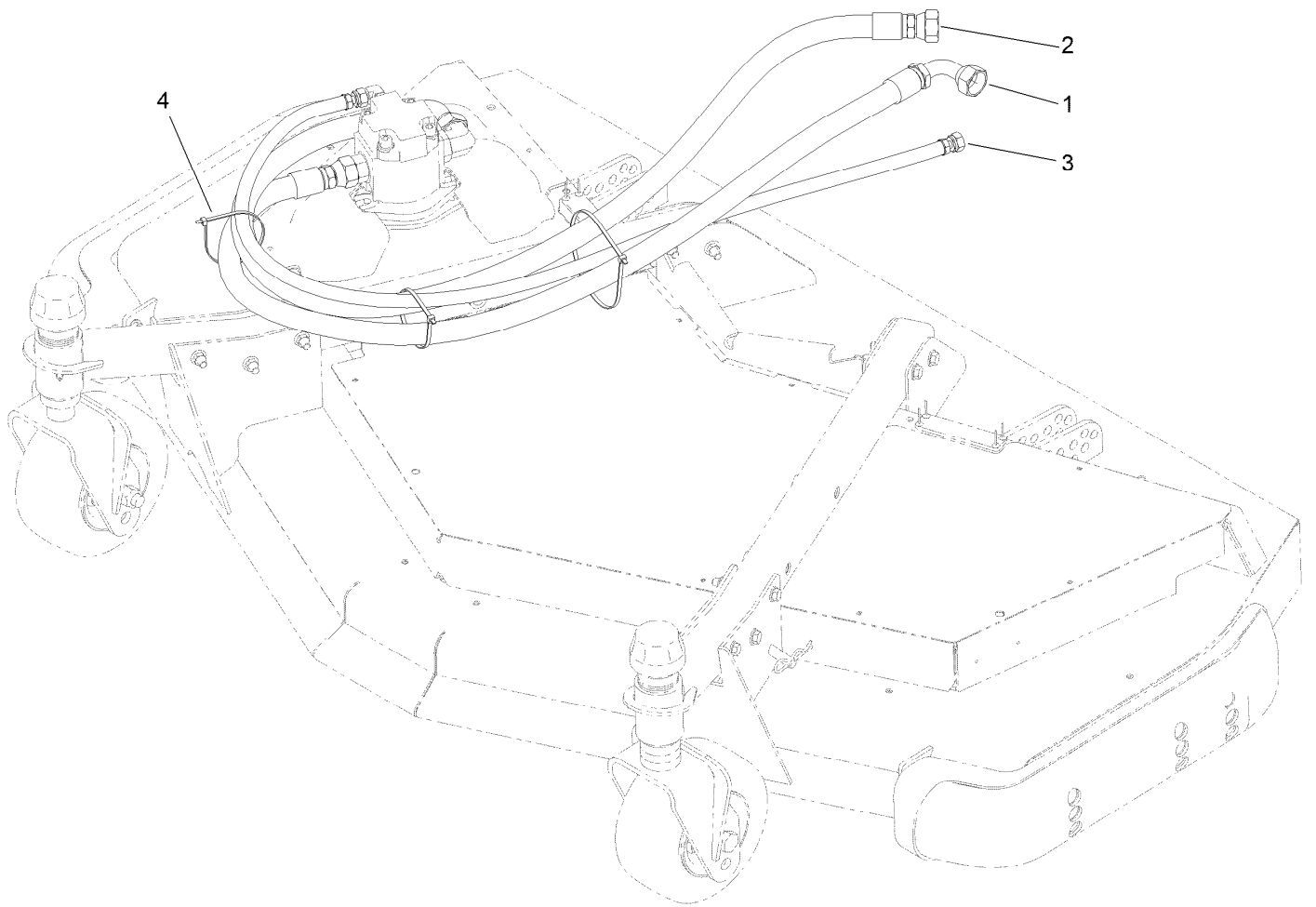
<i>Ref.</i>	<i>Part Number</i>	<i>Qty.</i>	<i>Description</i>
1	125-4301	1	Seal Kit
1:1		1	O-Ring ●
1:2		1	Backup ●
1:3		1	Wear Ring ●
1:4		1	Bds Seal ●
1:5		1	Dust Seal ●
2	302-60	1	Fitting-Grease

● Not serviced separately



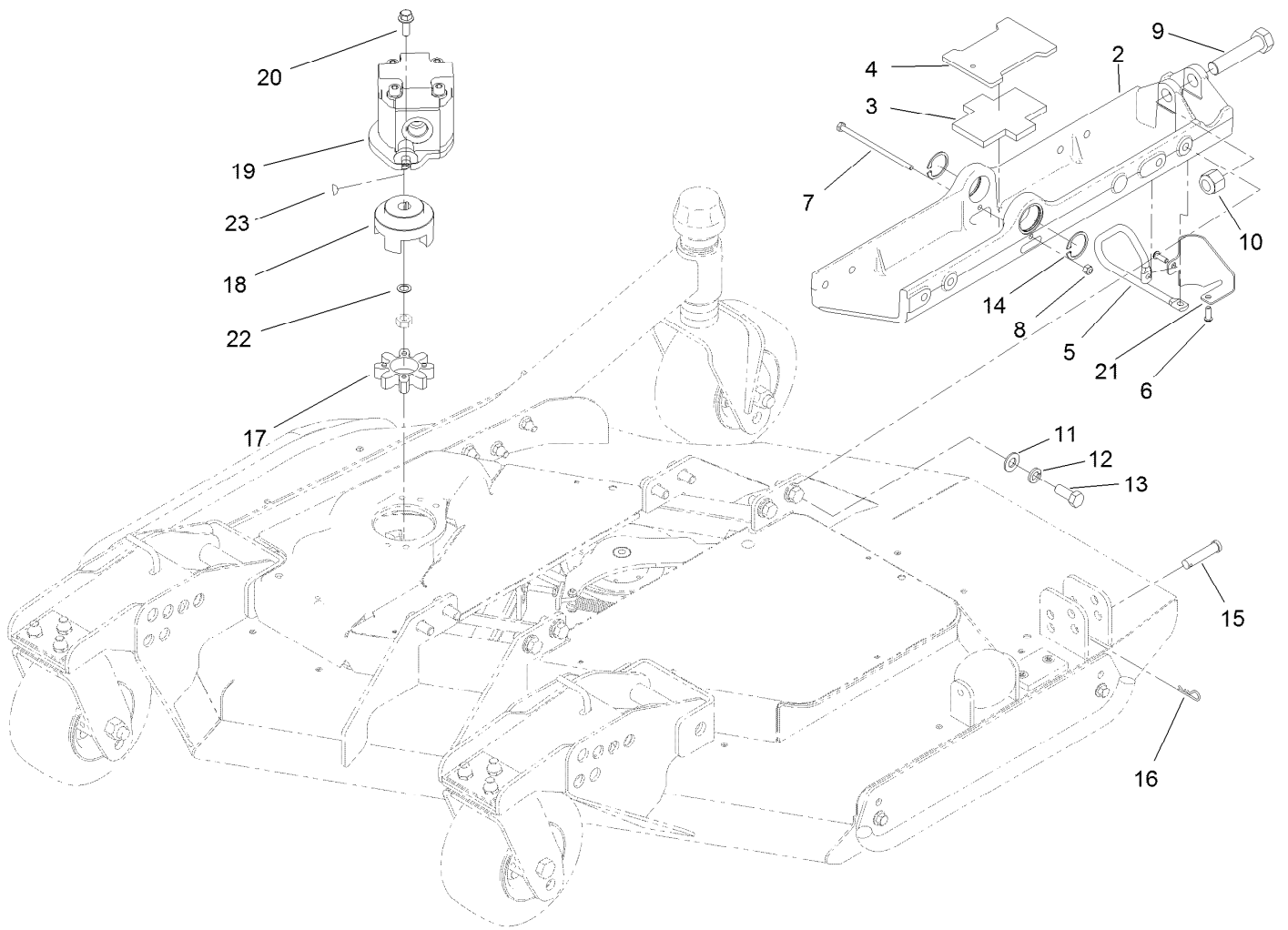
Front Deck Hydraulic Fitting Assembly

Ref.	Part Number	Qty.	Description
1	340-142	1	Fitting-Elbow, 90 DEG
1:1	237-58	1	O-Ring
1:2	237-81	1	O-Ring
2	340-9	1	Fitting-STR
2:1	237-58	1	O-Ring
2:2	237-81	1	O-Ring
3	340-77	1	Fitting-Elbow, 90 DEG
3:1	237-22	1	O-Ring
3:2	237-42	1	O-Ring
4	340-2	2	Fitting-Straight
4:1	237-22	1	O-Ring
4:2	237-42	1	O-Ring



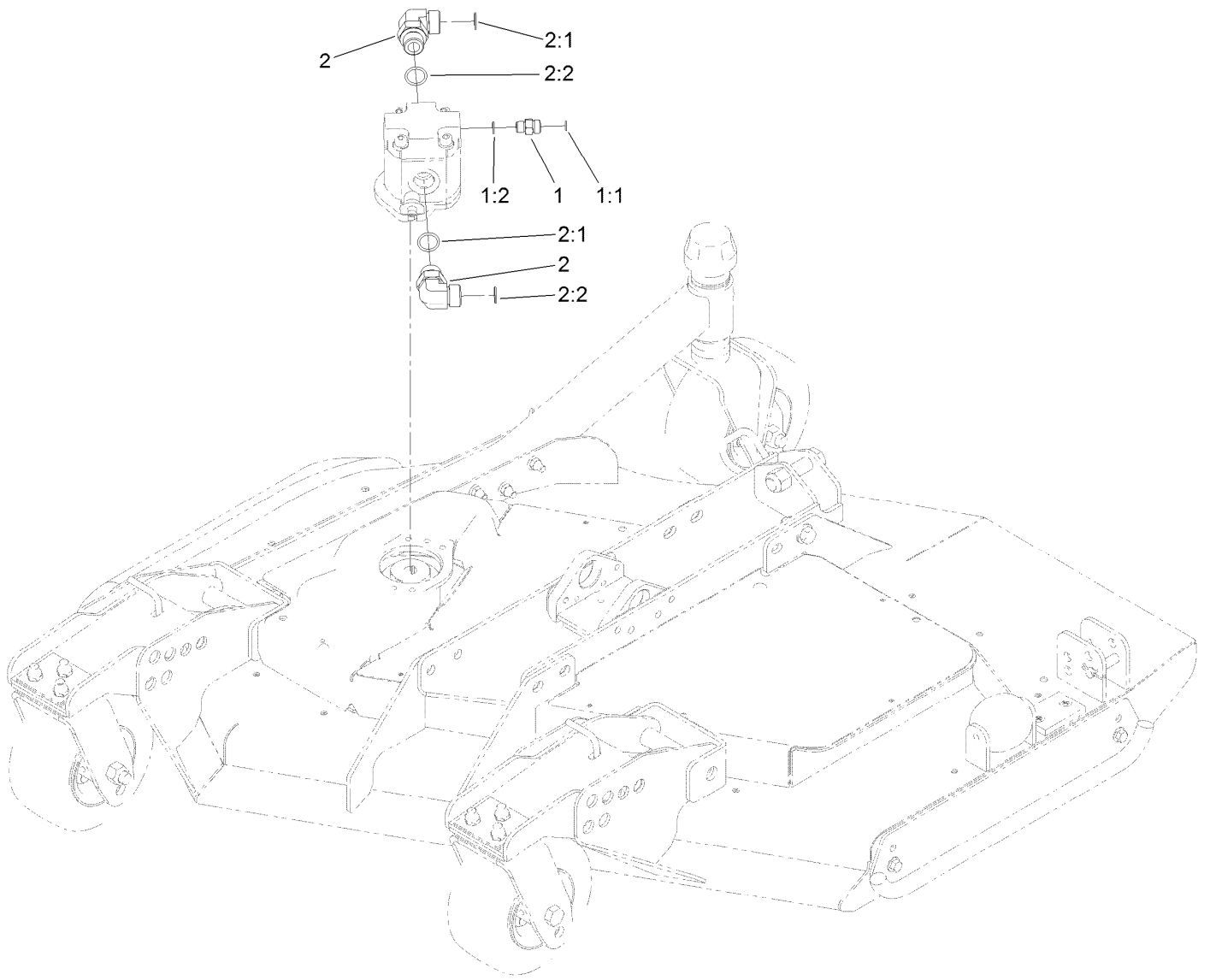
Front Deck Hose Routing Assembly

<i>Ref.</i>	<i>Part Number</i>	<i>Qty.</i>	<i>Description</i>
1	120-8987	1	Hose-HYD
2	120-8988	1	Hose-HYD
3	120-8989	1	Hose-HYD
4	3290-379	3	Tie-Cable



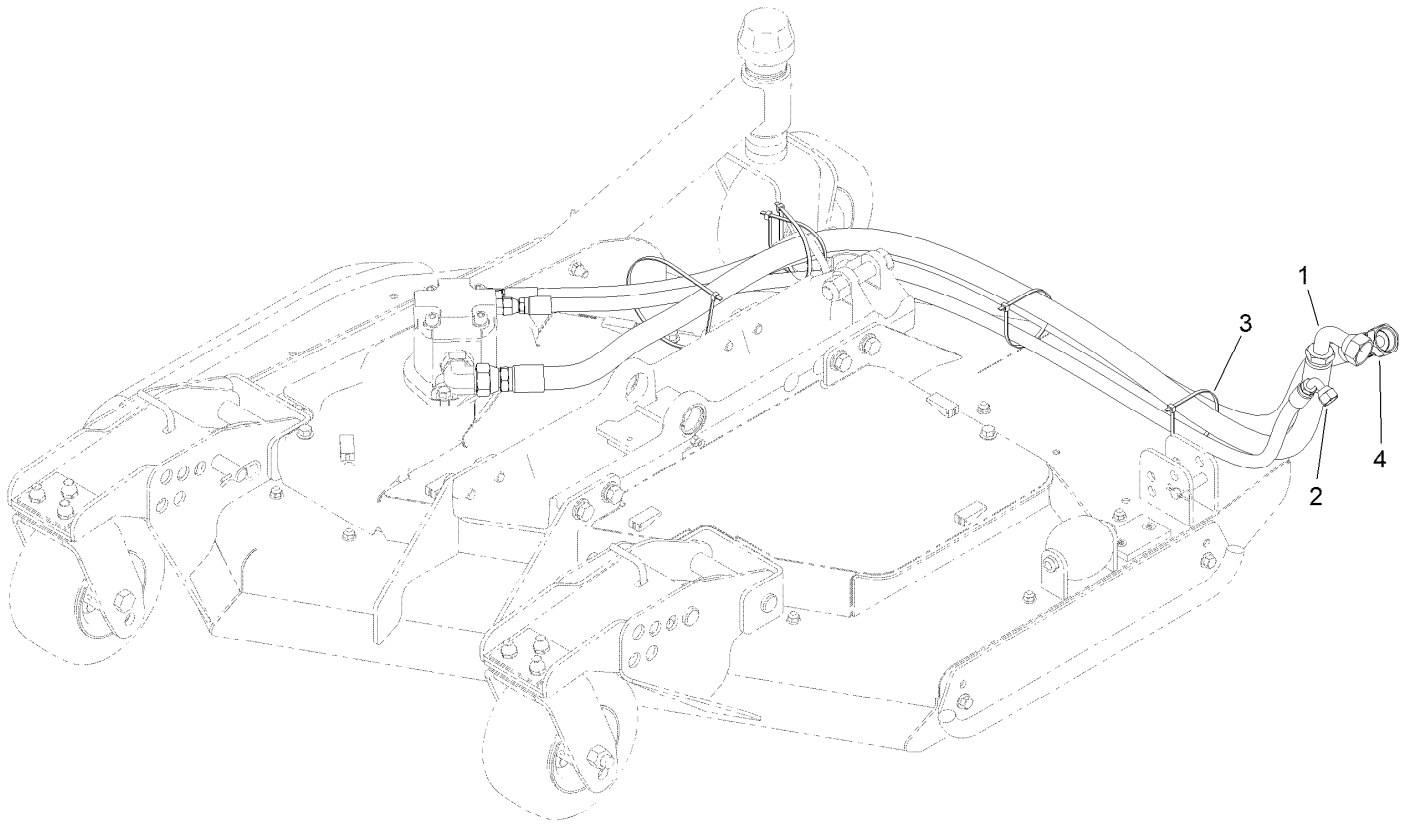
Right Deck Mount Assembly

<i>Ref.</i>	<i>Part Number</i>	<i>Qty.</i>	<i>Description</i>	<i>Ref.</i>	<i>Part Number</i>	<i>Qty.</i>	<i>Description</i>
2	107-4348-03	1	Mount-Deck, RH	13	325-5	8	Screw-HH
3	104-8348	1	Plate-Rubber	14	32120-42	2	Ring-Retaining
4	108-1528-03	1	Plate	15	92-2739	1	Pin-Clevis
5	108-1529	1	Support-Hose	16	3290-467	1	Pin-Hair
6	3274-69	2	Screw-HSBH	17	104-3542	1	Spider
7	321-47	1	Screw-HH	18	104-3541	1	Hub-Spider
8	3296-42	1	Nut-Lock, NI	19	127-3694	1	HYD Motor ASM
9	328-5	1	Screw-HH	20	3234-42	2	Screw-HHF
10	3296-51	1	Nut-Lock, NI	21	120-0480-03	1	Guide-Hose, RH
11	3256-26	8	Washer-Flat	22	112-6957	1	Washer-Hardened
12	3253-7	8	Washer-Lock	23	3257-3	1	Key-Woodruff



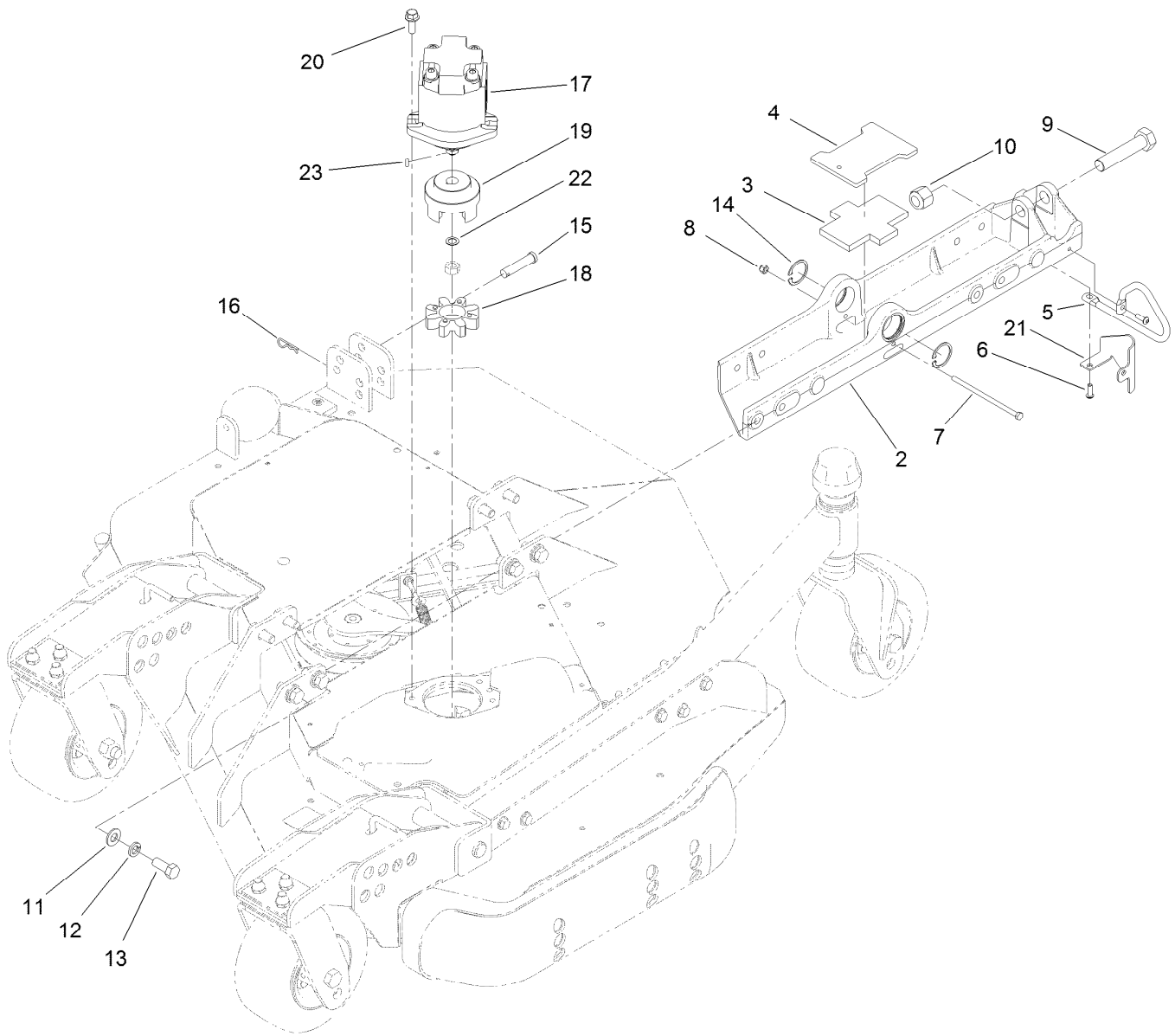
Right Deck Hydraulic Fitting Assembly

<i>Ref.</i>	<i>Part Number</i>	<i>Qty.</i>	<i>Description</i>
1	340-2	1	Fitting-Straight
1:1	237-22	1	O-Ring
1:2	237-42	1	O-Ring
2	340-142	2	Fitting-Elbow, 90 DEG
2:1	237-58	1	O-Ring
2:2	237-81	1	O-Ring



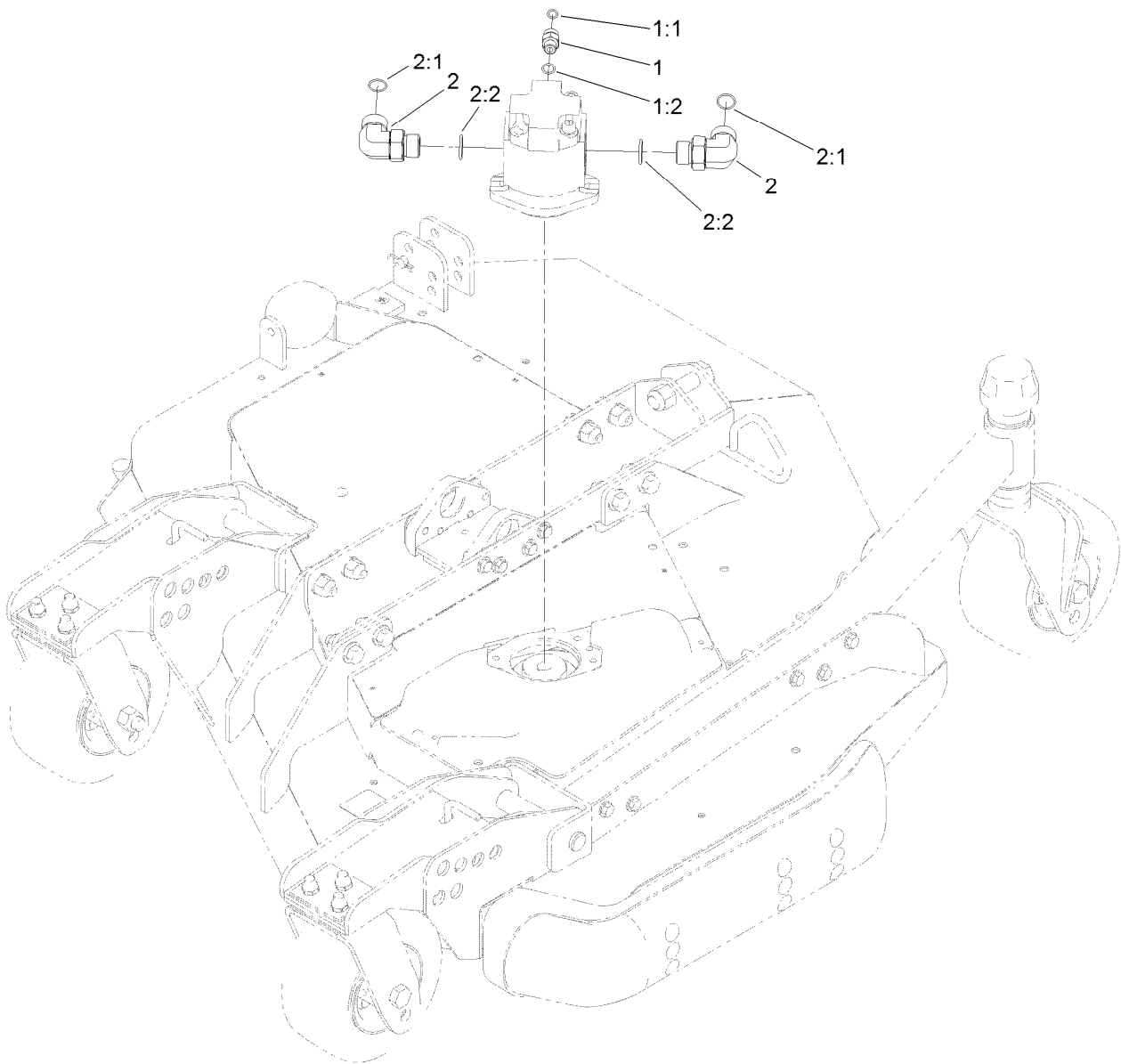
Right Deck Hose Assembly

<i>Ref.</i>	<i>Part Number</i>	<i>Qty.</i>	<i>Description</i>
1	120-8959	1	Hose-HYD
2	104-2265	1	Hose-HYD
3	3290-379	5	Tie-Cable
4	132-6116	1	Hose-HYD



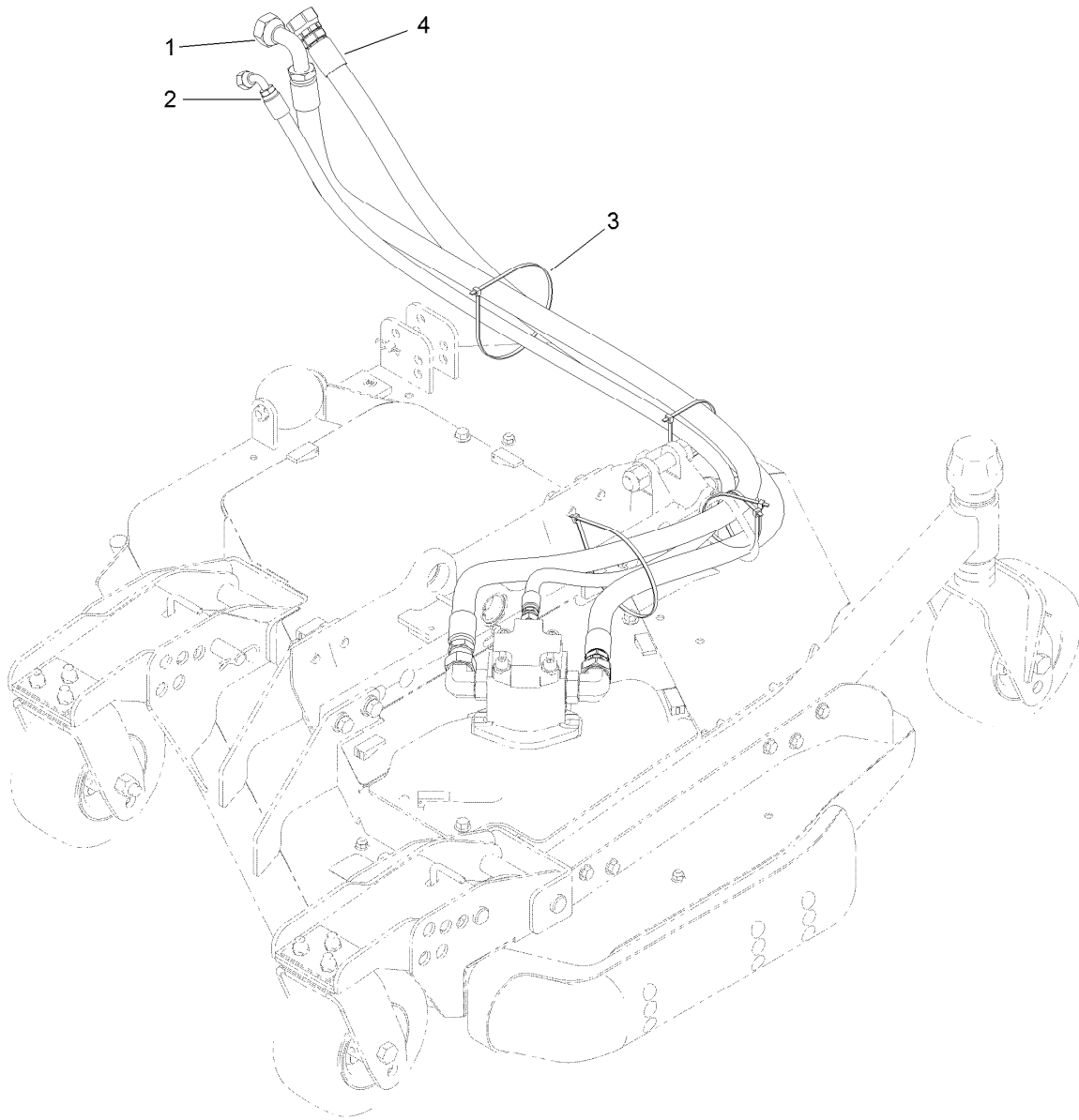
Left Deck Mount Assembly

<i>Ref.</i>	<i>Part Number</i>	<i>Qty.</i>	<i>Description</i>	<i>Ref.</i>	<i>Part Number</i>	<i>Qty.</i>	<i>Description</i>
2	107-4349-03	1	Mount-Deck, LH	13	325-5	8	Screw-HH
3	104-8348	1	Plate-Rubber	14	32120-42	2	Ring-Retaining
4	108-1528-03	1	Plate	15	92-2739	1	Pin-Clevis
5	108-1529	1	Support-Hose	16	3290-467	1	Pin-Hair
6	3274-69	2	Screw-HSBH	17	127-3694	1	HYD Motor ASM
7	321-47	1	Screw-HH	18	104-3542	1	Spider
8	3296-42	1	Nut-Lock, NI	19	104-3541	1	Hub-Spider
9	328-5	1	Screw-HH	20	3234-42	2	Screw-HHF
10	3296-51	1	Nut-Lock, NI	21	120-0481-03	1	Guide-Hose, LH
11	3256-26	8	Washer-Flat	22	112-6957	1	Washer-Hardened
12	3253-7	8	Washer-Lock	23	3257-3	1	Key-Woodruff



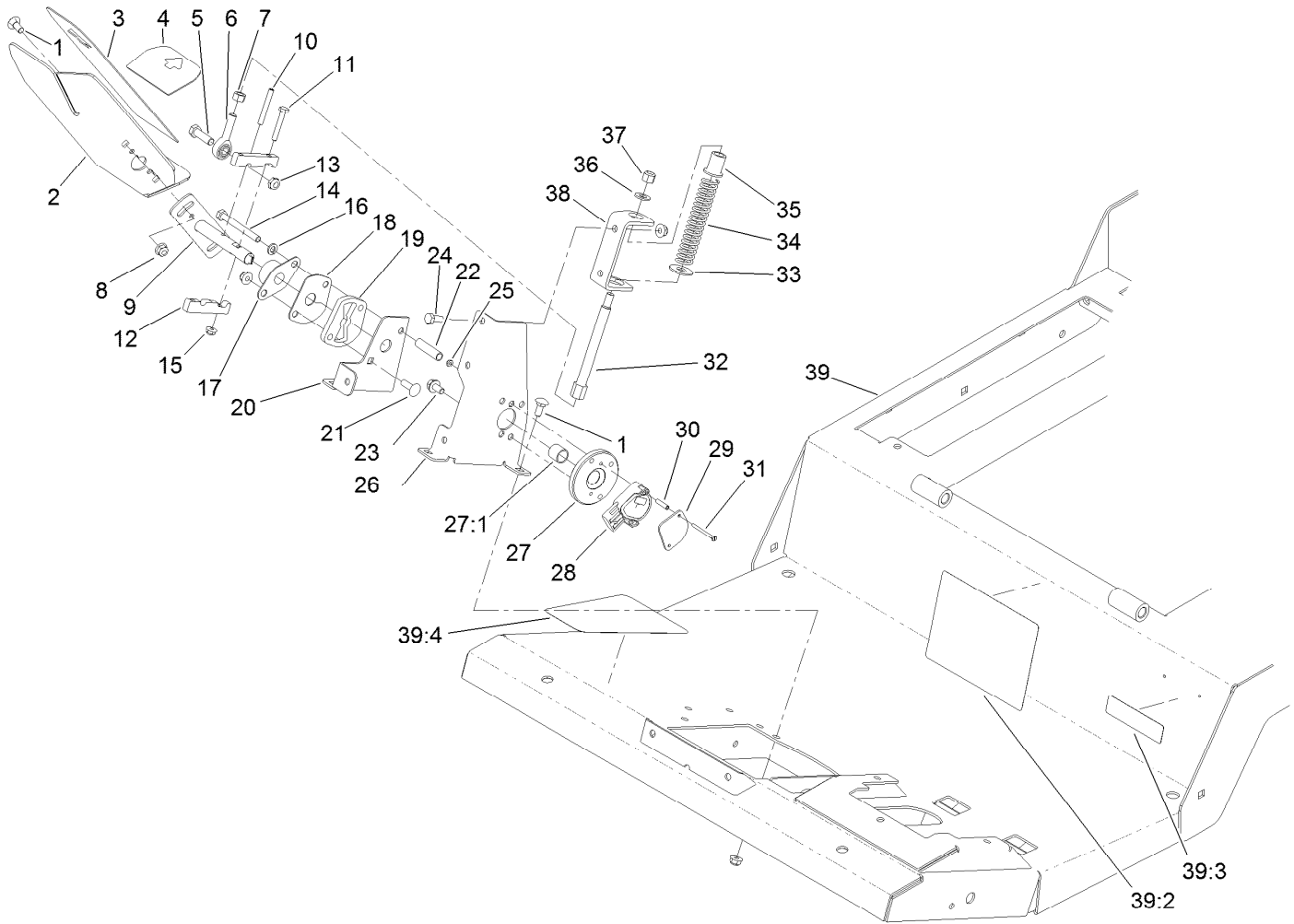
Left Deck Hydraulic Fitting Assembly

<i>Ref.</i>	<i>Part Number</i>	<i>Qty.</i>	<i>Description</i>
1	340-2	1	Fitting-Straight
1:1	237-22	1	O-Ring
1:2	237-42	1	O-Ring
2	340-142	2	Fitting-Elbow, 90 DEG
2:1	237-58	1	O-Ring
2:2	237-81	1	O-Ring



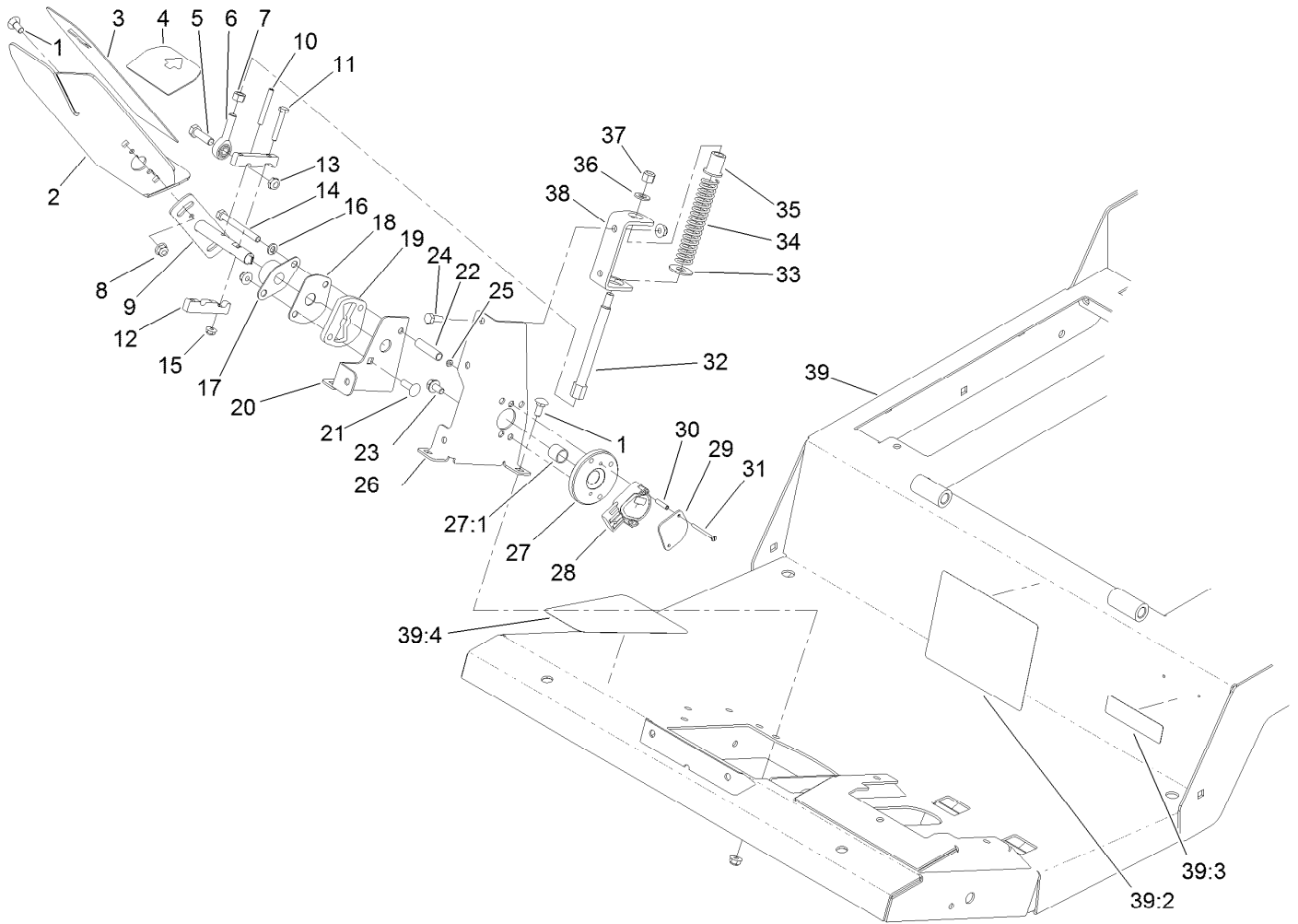
Left Deck Hose Assembly

<i>Ref.</i>	<i>Part Number</i>	<i>Qty.</i>	<i>Description</i>
1	120-8959	1	Hose-HYD
2	104-2265	1	Hose-HYD
3	3290-379	5	Tie-Cable
4	132-6116	1	Hose-HYD



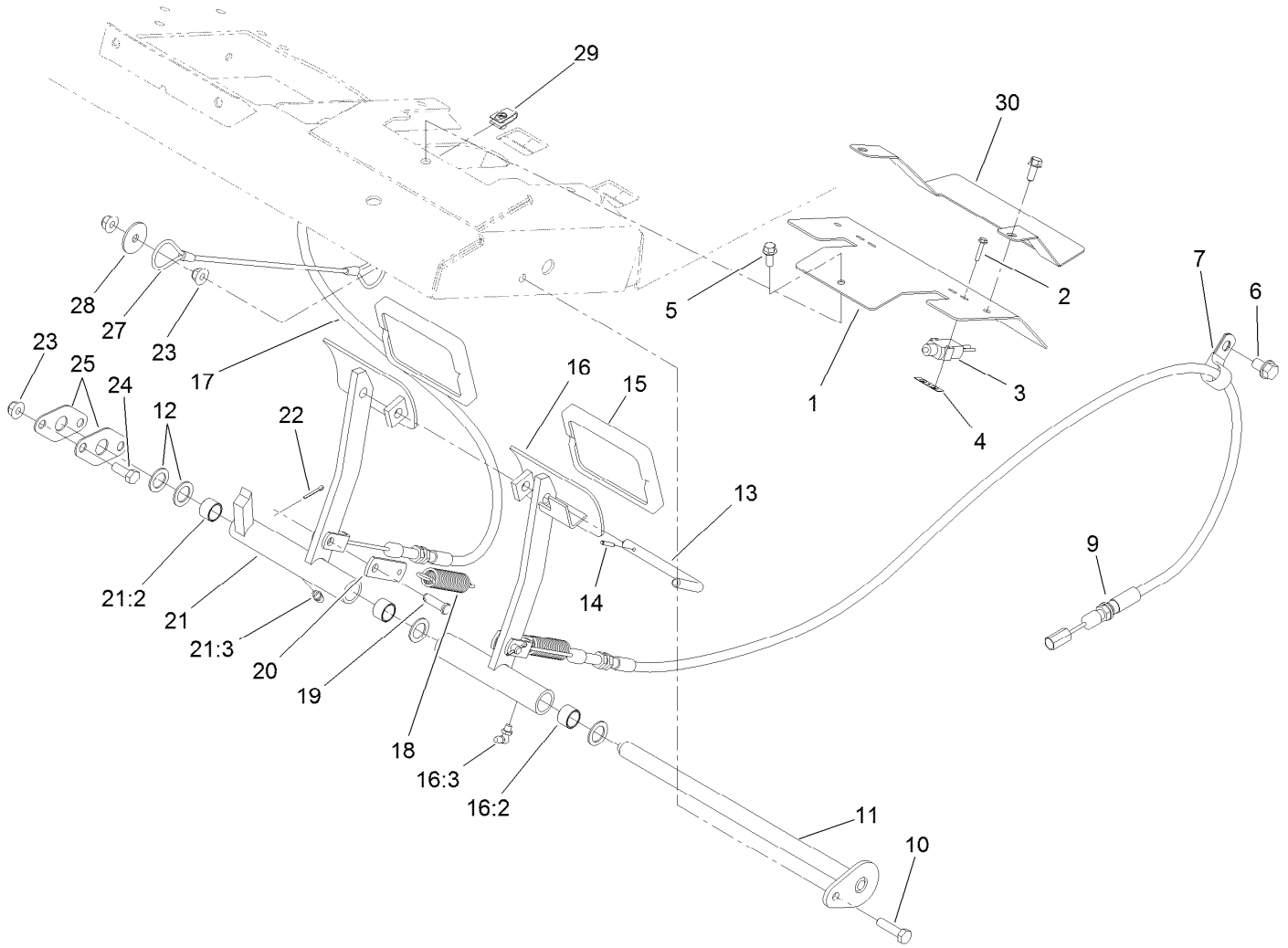
Traction Pedal and Platform Assembly

Ref.	Part Number	Qty.	Description	Ref.	Part Number	Qty.	Description
1	3230-1	6	Bolt-CARR	22	93-7960	1	Spacer
2	110-5986-01	1	Pedal-Traction	23	114-7728	2	Screw-HF
3	93-5347	1	Abrasive-Pedal	24	322-3	3	Screw-HH
4	93-5368	1	Abrasive-Pedal	25	3296-9	2	Nut-Hex
5	323-7	1	Screw-HH	26	117-5451-01	1	Bracket-Sensor
6	2411-36	1	Bearing-End, Rod	27	117-5445	1	Bushing Hub ASM
7	3219-3	1	Nut-Hex	27:1	95-7497	1	Bushing-Wheel
8	104-8300	10	Nut-HF, NI	28	114-5609	1	Sensor-Position
9	117-5450	1	Shaft-Pedal, Traction	29	114-5595	1	Plate-Capture
10	32121-78	1	Pin-Roll	30	114-5608	2	Spacer-Standoff
11	321-37	2	Screw-HH	31	32105-25	2	Screw-SHH
12	117-5459	2	Block-Clamp	32	117-5446	1	Shaft-Spring
13	3296-59	1	Nut-Lock, NI	33	3256-5	1	Washer-Flat
14	322-14	1	Screw-HH	34	84-9100	1	Spring
15	104-7201	2	Nut-HF	35	92-7610	1	Retainer-Spring
16	3253-4	1	Washer-Lock	36	3256-24	1	Washer-Flat
17	256-236	1	Bearing-Mount, Flange	37	3296-6	1	Nut-Lock
18	117-5455	1	Plate-Cover	38	117-5452-01	1	Bracket-Spring
19	117-5454	1	Plate-Butterfly	39	120-4087	1	Platform ASM
20	117-5453-01	1	Bracket-Butterfly	39:2	114-0846	1	Decal-Instructions, Operating
21	3230-22	1	Screw-CARR				



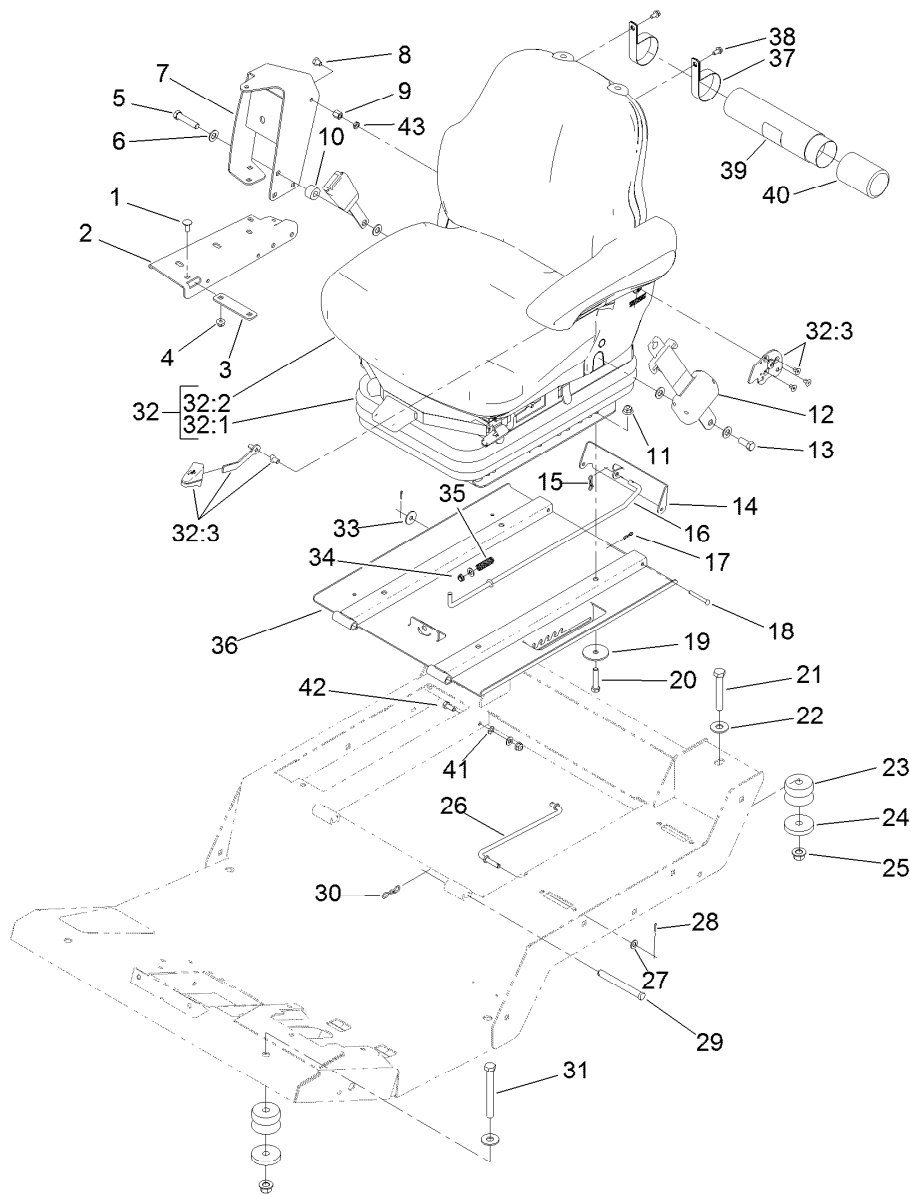
Traction Pedal and Platform Assembly (continued)

<i>Ref.</i>	<i>Part Number</i>	<i>Qty.</i>	<i>Description</i>
39:3	117-2718	1	Decal-Arrester, Spark
39:4	114-0849	1	Decal-Pedal, Traction



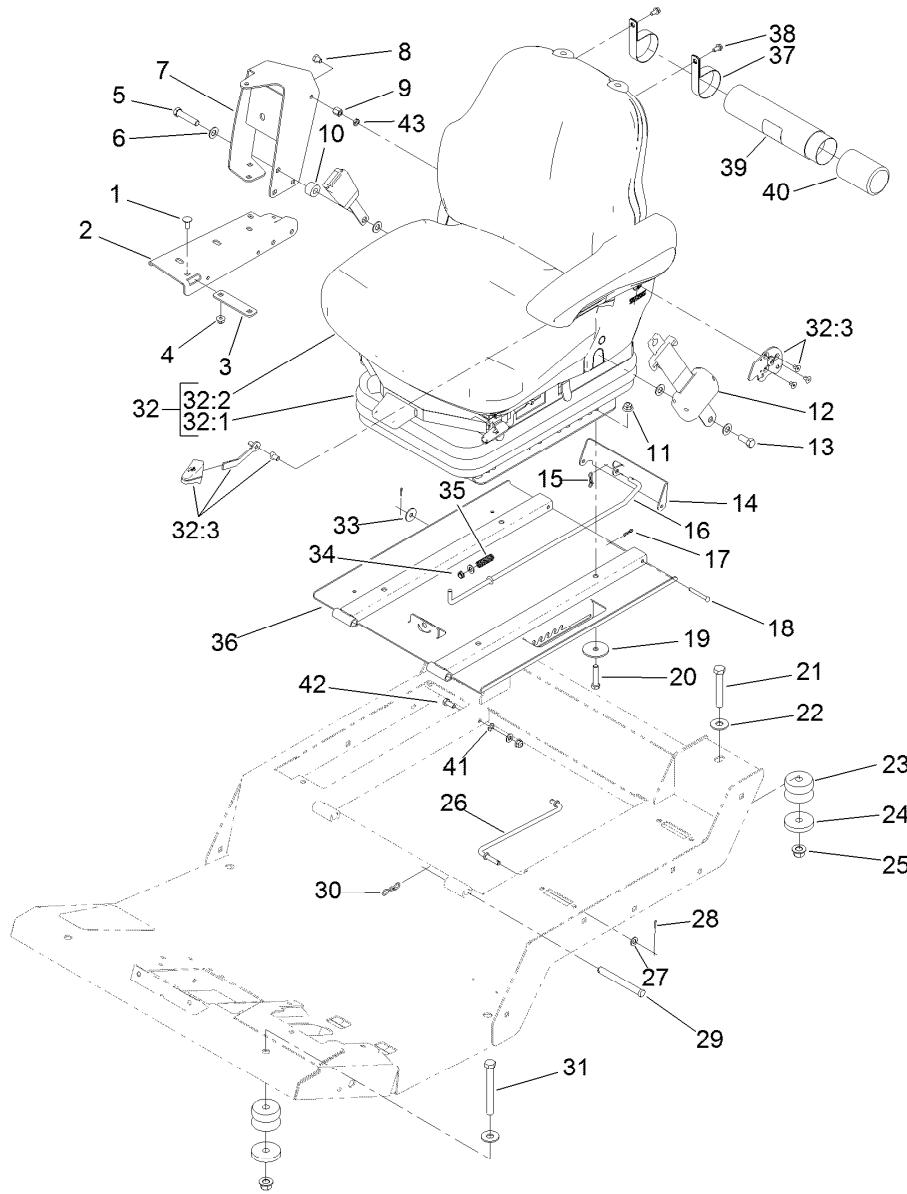
Brake Pedal Assembly

Ref.	Part Number	Qty.	Description	Ref.	Part Number	Qty.	Description
1	120-4163-01	1	Cover-Brake	16:3	302-60	1	Fitting-Grease
2	117-5458	4	Screw-HHF	17	120-8898	1	Cable-Brake, RH
3	99-3410	2	Switch	18	93-5262	2	Spring-Extension
4	108-9824	2	Nut-Switch	19	283-61	2	Pin-Yoke
5	3234-33	3	Screw-HHF	20	100-5540	2	Strap-Brake
6	32144-69	2	Screw-HWHTF	21	75-1430	1	RH Brake Pedal ASM
7	2412-4	2	Clamp-R	21:2	256-42	2	Bushing
9	120-8899	1	Cable-Brake, LH	21:3	302-5	1	Fitting-Grease
10	322-6	1	Screw-HH	22	3272-6	2	Pin-Cotter
11	120-4167	1	Pin-Flag	23	104-8300	4	Nut-HF, NI
12	3256-69	4	Washer-Flat	24	322-4	2	Screw-HH
13	63-7880	1	Pin-Latch, Brake	25	120-4168	2	Plate-Support
14	32121-50	1	Pin-Spring	27	110-4896	1	Lanyard
15	93-8742	2	Footpad-Brake	28	3256-57	1	Washer-Flat
16	120-4170	1	LH Brake Pedal ASM	29	107069	3	Clip
16:2	256-42	2	Bushing	30	121-1596-01	1	Cover-Brakes



Seat Base and Seat Assembly

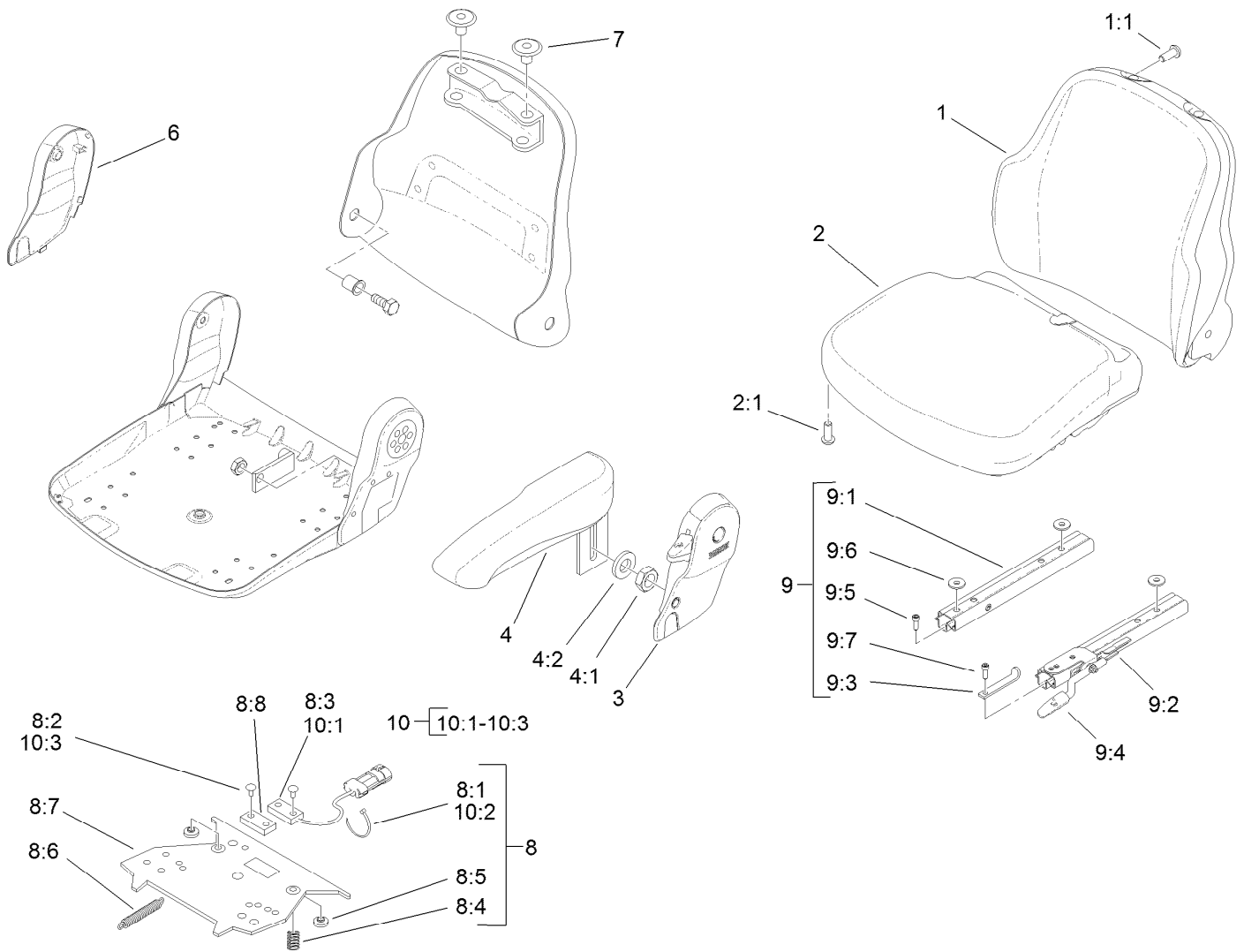
Ref.	Part Number	Qty.	Description	Ref.	Part Number	Qty.	Description
1	3230-23	6	Screw-CARR	22	3256-6	4	Washer-Flat
2	119-0000-03	1	Channel-Support	23	110-5954	4	Mount-Center, Bonded
3	112-7449-03	1	Bracket-Support	24	115-5519	4	Washer-Plain
4	104-8300	7	Nut-HF, NI	25	99-5107	4	Nut-Lock
5	3212-8	1	Screw-HH	26	93-5338	1	Rod-Prop
6	3256-25	4	Washer-Flat	27	3256-23	3	Washer-Plain
7	117-4798-03	1	Arm-Support	28	3272-5	2	Pin-Cotter
8	108-8646	1	Screw-HH, Lock	29	283-83	2	Pin-Clevis
9	112-7405	1	Nut-Hex, Coupling	30	119-1416	2	Pin-Cotter, Locking
10	17-7190	1	Spacer-Finger	31	702093	2	Screw-HH
11	104-8301	4	Nut-HF, NI	32	130-2701	1	Seat And Suspension ASM
12	110-0413	1	Seatbelt-Retractable	32:1	130-2702	1	Air Ride Seat Suspension
13	3212-4	1	Screw-HH	32:2	117-5676	1	Premium Seat ASM
14	120-9017-03	1	Latch-Seat	32:3	132-1304	1	Backrest Adjustment Kit
15	119-1415	1	Pin-Cotter, Locking	33	3256-82	1	Washer-Flat
16	120-9018	1	Rod-Latch	34	5979	1	Bushing-Nyliner
17	119-1414	2	Pin-Cotter, Locking	35	95-1821-03	1	Spring-Compression
18	283-57	2	Pin-Clevis	36	130-6019-03	1	Plate-Seat
19	83-1040	4	Washer-Flat	37	2412-133	2	Clamp-R
20	323-9	4	Screw-HH	38	32104-116	2	Screw-HWHTF
21	112-7264	2	Screw-HH	39	104-7050	1	Tube-Manual



Seat Base and Seat Assembly (continued)

<i>Ref.</i>	<i>Part Number</i>	<i>Qty.</i>	<i>Description</i>
40	104-7048	1	Cap-Housing
41	3255-8	1	Washer-Lock

<i>Ref.</i>	<i>Part Number</i>	<i>Qty.</i>	<i>Description</i>
42	322-3	1	Screw-HH
43	117-4059	1	Nut-Hex

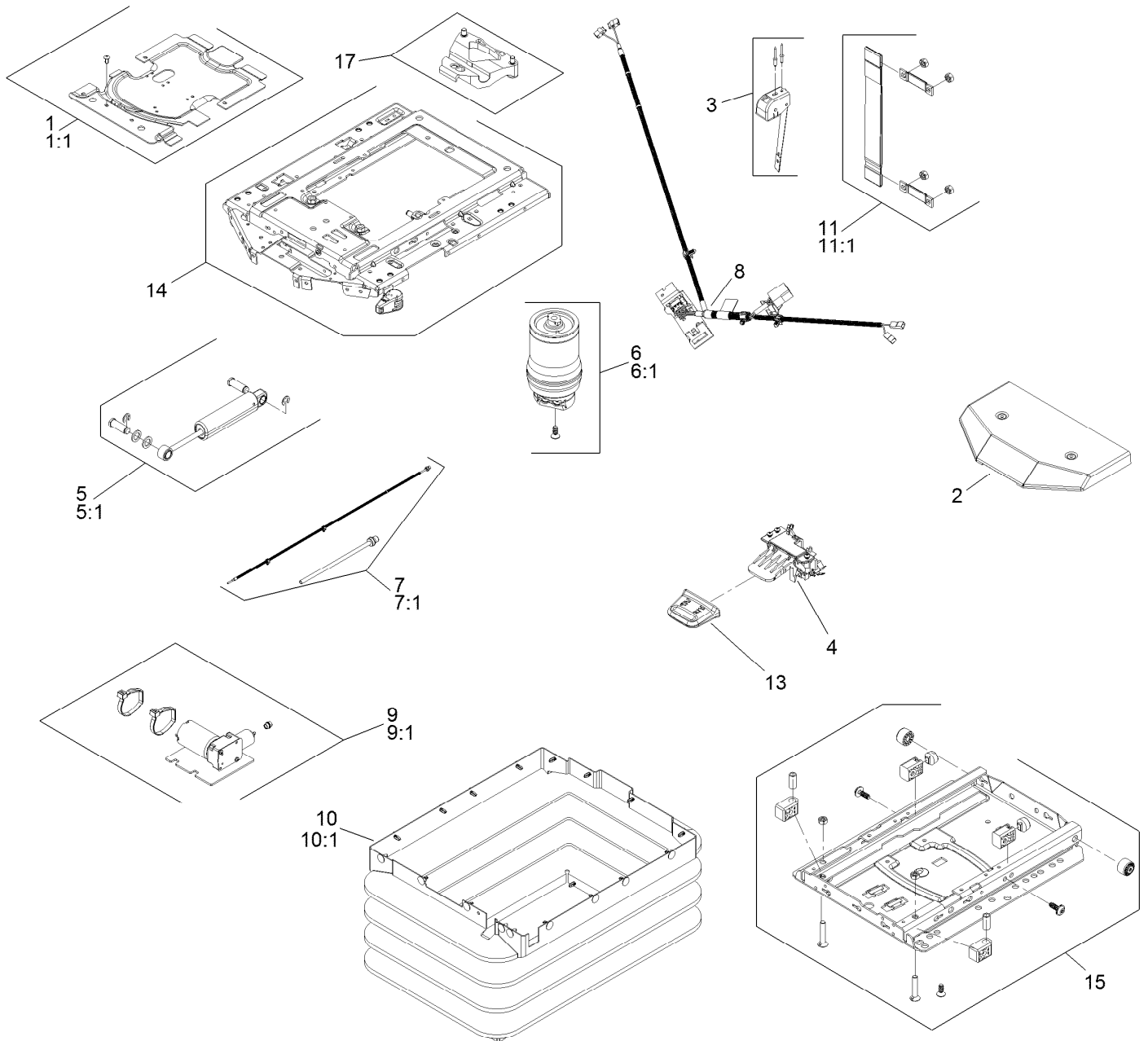


Vinyl Premium Seat Assembly No. 117-5676

Ref.	Part Number	Qty.	Description	Ref.	Part Number	Qty.	Description
1	108-8016	1	Backrest Cushion ASM	8:6		1	Spring-Extension ●
1:1	119-7742	4	Screw-Cushion	8:7		1	Plate-Mounting ●
2	108-8017	1	Seat Cushion ASM	8:8		1	Magnet ●
2:1	119-7742	3	Screw-Cushion	9	108-8025	1	Adjustment Rail Set
3	108-8018	1	Cover-Armrest	9:1		1	Rail-Adjustment, RH ●
4	108-8019	1	LH Armrest ASM	9:2		1	Rail-Adjustment, LH ●
4:1	82-9650	1	Nut	9:3		1	Stop-Rail ●
4:2	107-1198	1	Washer	9:4		1	Handle ●
6	108-8021	1	Cover-Armrest	9:5		3	Screw ●
7	108-8022	2	Cover-Black	9:6		3	Washer ●
8	108-8024	1	Switch Kit	9:7		1	Screw ●
8:1		3	Wire Tie ●	10	110-6189	1	Switch Kit
8:2		4	Rivet ●	10:1		1	Switch ●
8:3		1	Sensor-Seat Switch ●	10:2		3	Wire Tie ●
8:4		2	Spring-Compression ●	10:3		2	Rivet ●
8:5		2	Bumper-Pressure Plate ●				

● Not serviced separately

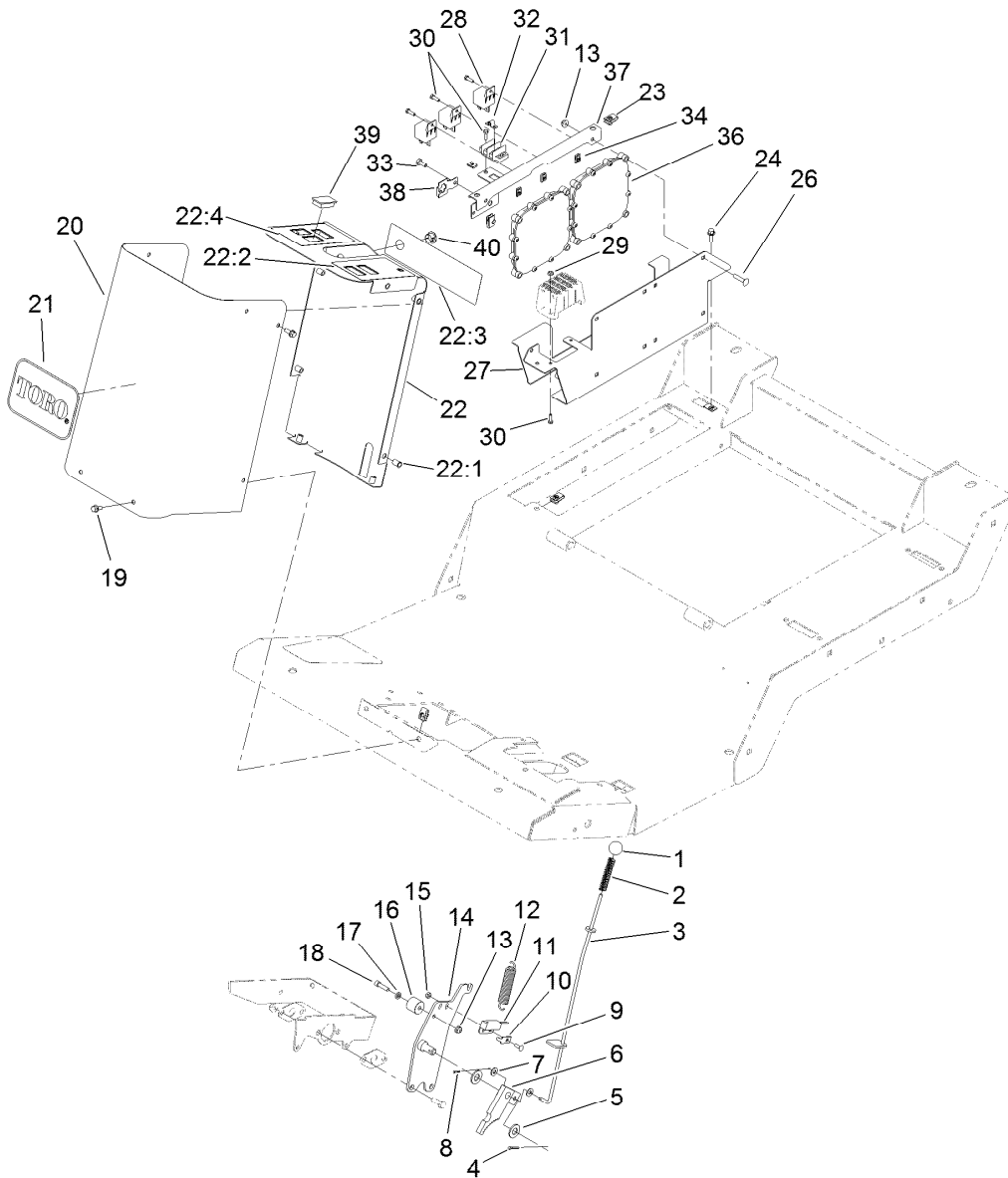
Seat Suspension Assembly No. 130-2702



Seat Suspension Assembly No. 130-2702 (continued)

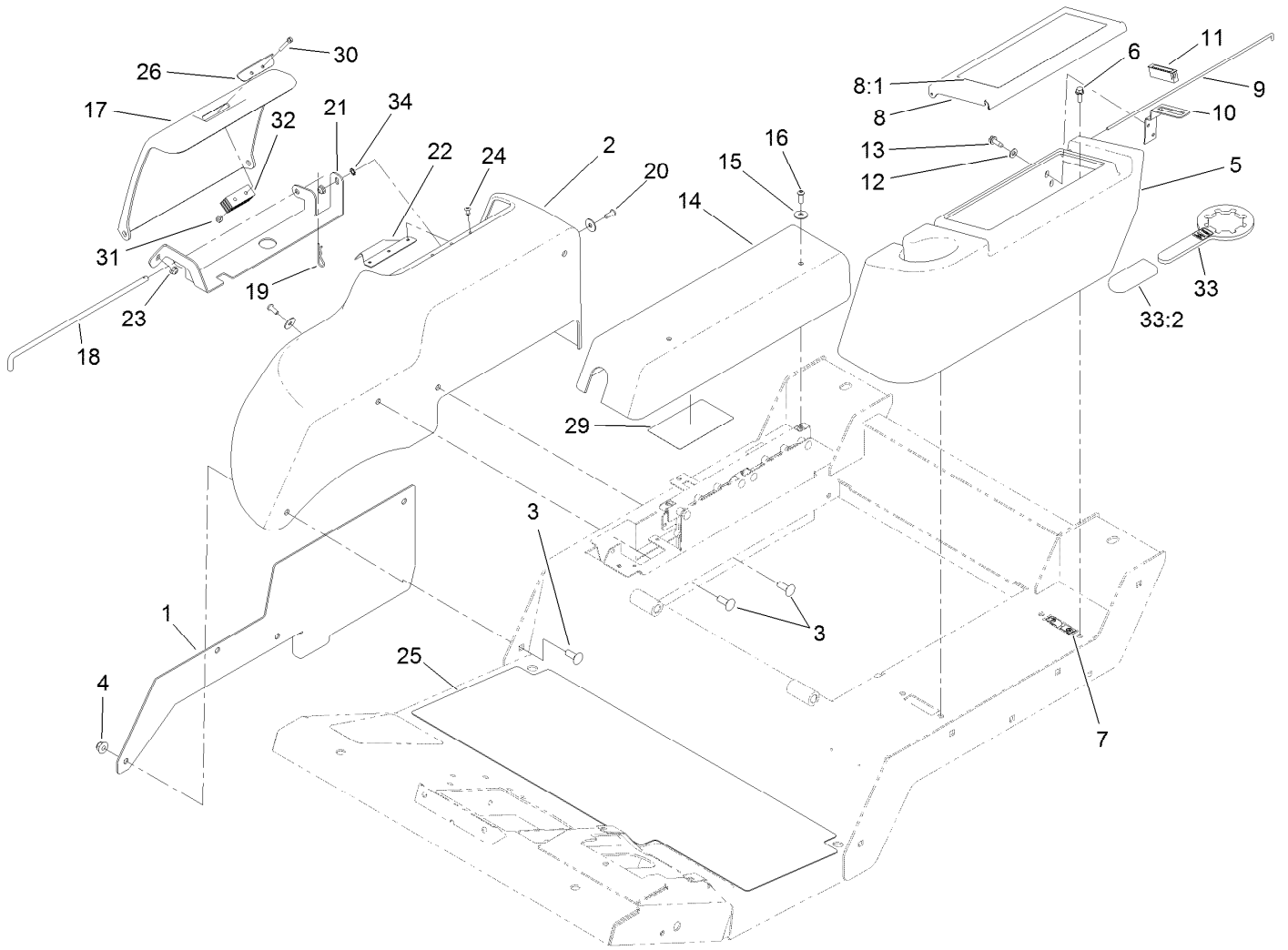
<i>Ref.</i>	<i>Part Number</i>	<i>Qty.</i>	<i>Description</i>	<i>Ref.</i>	<i>Part Number</i>	<i>Qty.</i>	<i>Description</i>
1	130-2709	1	Cover ASM	9	130-2719	1	Compressor
1:1	130-2710	1	Cover Kit	9:1	130-2720	1	Compressor Kit
2	108-8027	1	Cover	10	130-2721	1	Bellows ASM
3	130-2711	1	Control-Level	10:1	130-2722	1	Bellows Kit
4	108-8029	1	Valve-Control, Air	11	130-2723	1	Tether
5	130-2712	1	Shock Absorber ASM	11:1	130-2724	1	Tether Kit
5:1	130-2713	1	Shock Absorber Kit	12	130-2725	1	Wear Parts Kit ●
6	130-2714	1	Air Spring ASM	13	130-2726	1	Handle
6:1	130-2715	1	Air Spring Kit	14	130-2727	1	Upper Suspension Kit
7	130-2716	1	Air Tube ASM	15	130-2728	1	Lower Suspension Kit
7:1	130-2717	1	Air Tube Kit	16	130-2729	1	Adjuster Mounting Kit ●
8	130-2718	1	Harness-Wire	17	130-2730	1	Limiters-Thrust

● Not illustrated



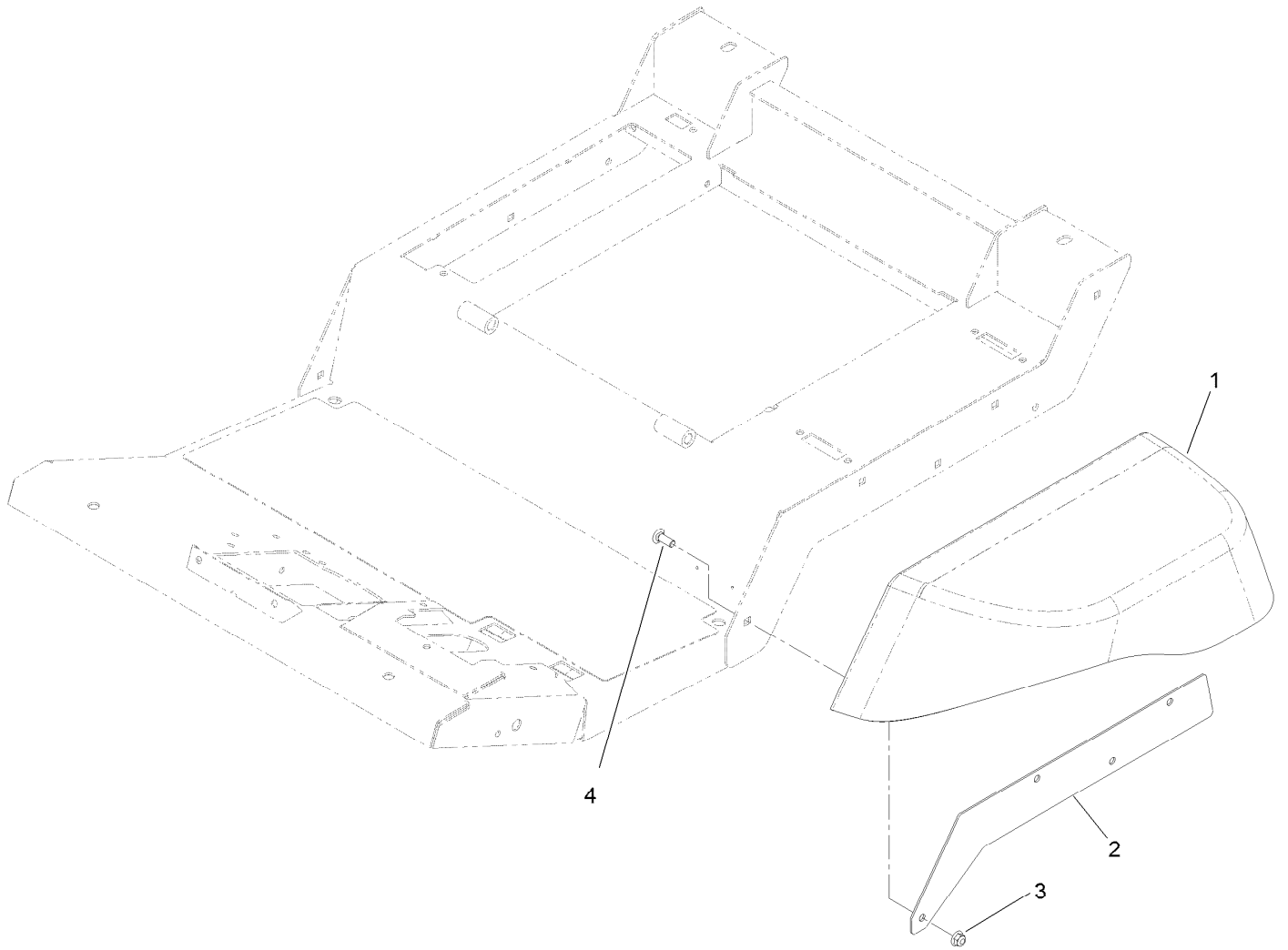
Parking Brake, Steering Tower and Power Center Assembly

Ref.	Part Number	Qty.	Description	Ref.	Part Number	Qty.	Description
1	233-17	1	Knob	22	120-4165	1	Steering Tower ASM
2	71-8310	1	Spring-Compression	22:1	32148-6	8	Nut-Clinch
3	114-0195	1	Rod-Parking, Brake	22:2	120-4130	1	Decal-Steering Tower, LH
4	3272-10	1	Pin-Cotter	22:3	114-0845	1	Decal-Column, Steering
5	3256-26	2	Washer-Flat	22:4	120-4129	1	Decal-Steering Tower, RH
6	63-7900-03	1	Rack	23	107069	7	Clip
7	3256-22	2	Washer-Flat	24	3234-4	2	Screw-HHF
8	3272-5	1	Pin-Cotter	26	3229-3	8	Screw-CARR
9	3229-34	1	Screw-CARR	27	120-4093-03	1	Mount-Power
10	100-4872	1	Plate-Switch, Neutral	28	99-7435	3	Relay
11	100-1270	1	Switch-Proximity	29	3296-12	2	Nut-Lock, NI
12	13-0480	1	Spring	30	3290-134	7	Screw
13	104-7201	9	Nut-HF	31	42862	1	Block-Terminal, Ground
14	114-0190-03	1	Pivot-Parking, Brake	32	42863	1	Strip-Jumper
15	3296-2	1	Nut-Lock, NI	33	321-3	1	Screw-HH
16	117-5499	1	Spacer-Deflector	34	107-1013	5	Nut-Speed
17	55-9620	1	Spacer-Plate, Pivot	36	114-3321	2	Controller-Tec
18	3274-9	1	Screw-HSH	37	120-4127-03	1	Mount-Relay
19	3234-33	10	Screw-HHF	38	114-5502	1	Clip-Fuse
20	120-4136-01	1	Cover-Steering Tower, Front	39	99-7420	5	Plug-Hole
21	62-5550	1	Decal	40	94-5627	1	Plug



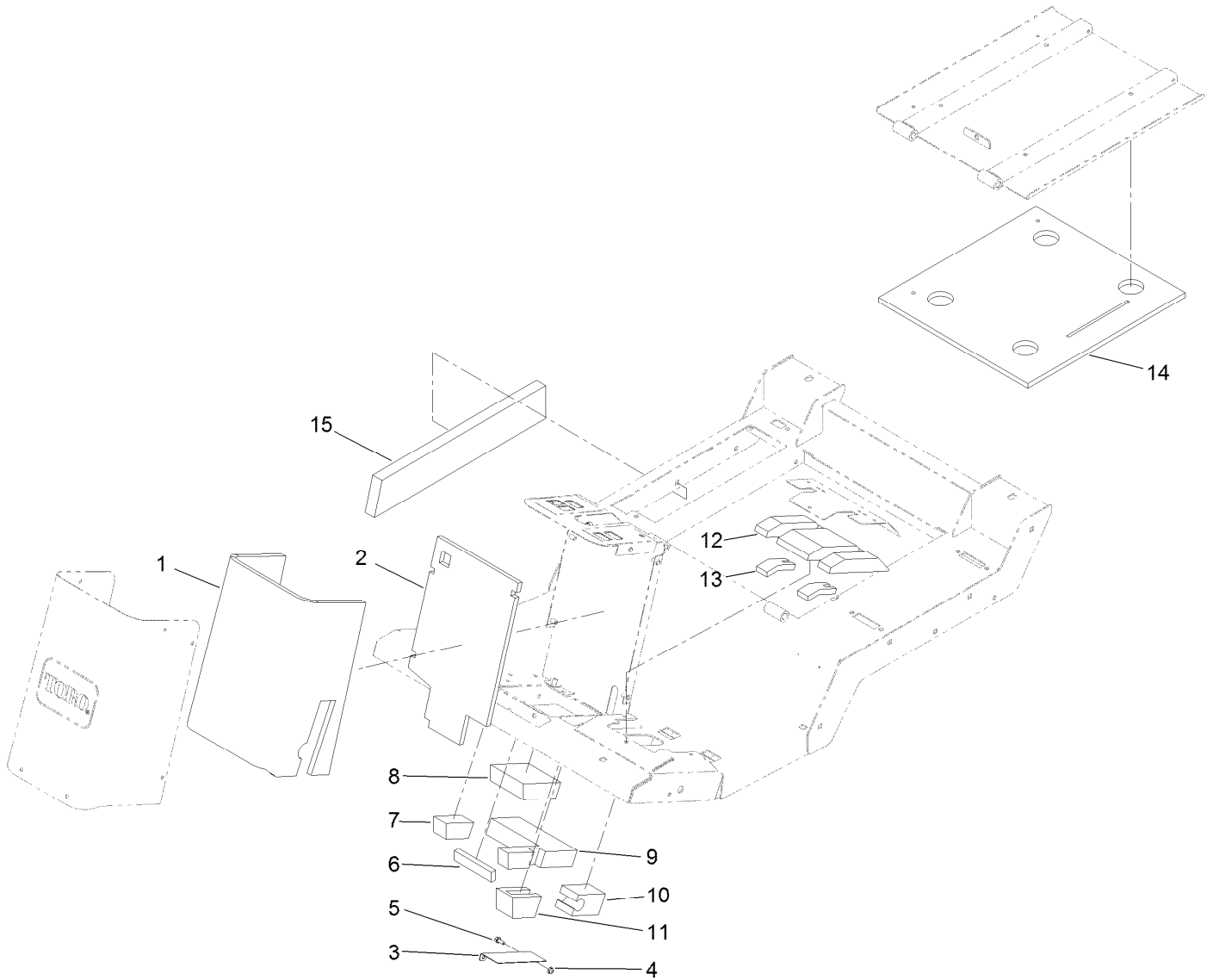
Fender, Tool Box and Cover Assembly

Ref.	Part Number	Qty.	Description	Ref.	Part Number	Qty.	Description
1	121-1579-03	1	Plate-Fender, RH	17	120-4115	1	Cover-Battery
2	120-4113	1	Fender-RH	18	121-1588	1	Rod-Hinge
3	3231-22	4	Screw-CARR	19	3290-467	1	Pin-Hair
4	104-8301	4	Nut-HF, NI	20	3274-31	2	Screw-HSBH
5	120-4125	1	Housing-Tool Box	21	121-1586-03	1	Mount-Cover
6	3234-4	4	Screw-HHF	22	127-3706	1	Plate-Cover
7	107069	4	Clip	23	104-7201	2	Nut-HF
8	120-4124	1	Tool Box Cover ASM	24	3269-23	3	Rivet-Pop
8:1	117-2754	1	Decal-Warning	25	120-4128	1	Tread-Foot, Abrasive
8:1	117-2766	1	Decal-Warning, CE	26	127-3705	1	Plate-Cover
9	120-4122	1	Rod-Hinge	29	121-1599	1	Decal-Fuses
10	104-7545	1	Bracket-Latch	30	32105-1	2	Screw-SHH
11	58-4250	1	Catch-Magnetic	31	3296-2	2	Nut-Lock, NI
12	3256-22	2	Washer-Flat	32	69-6260	1	Magnet
13	32104-95	2	Screw-HWH	33	121-3874	1	Wrench ASM
14	120-4126	1	Cover-Controllers	33:2	119-1846	1	Grip
15	87-6630	4	Washer-Plain	34	3255-7	1	Washer-Lock/EXT
16	3274-69	2	Screw-HSBH				



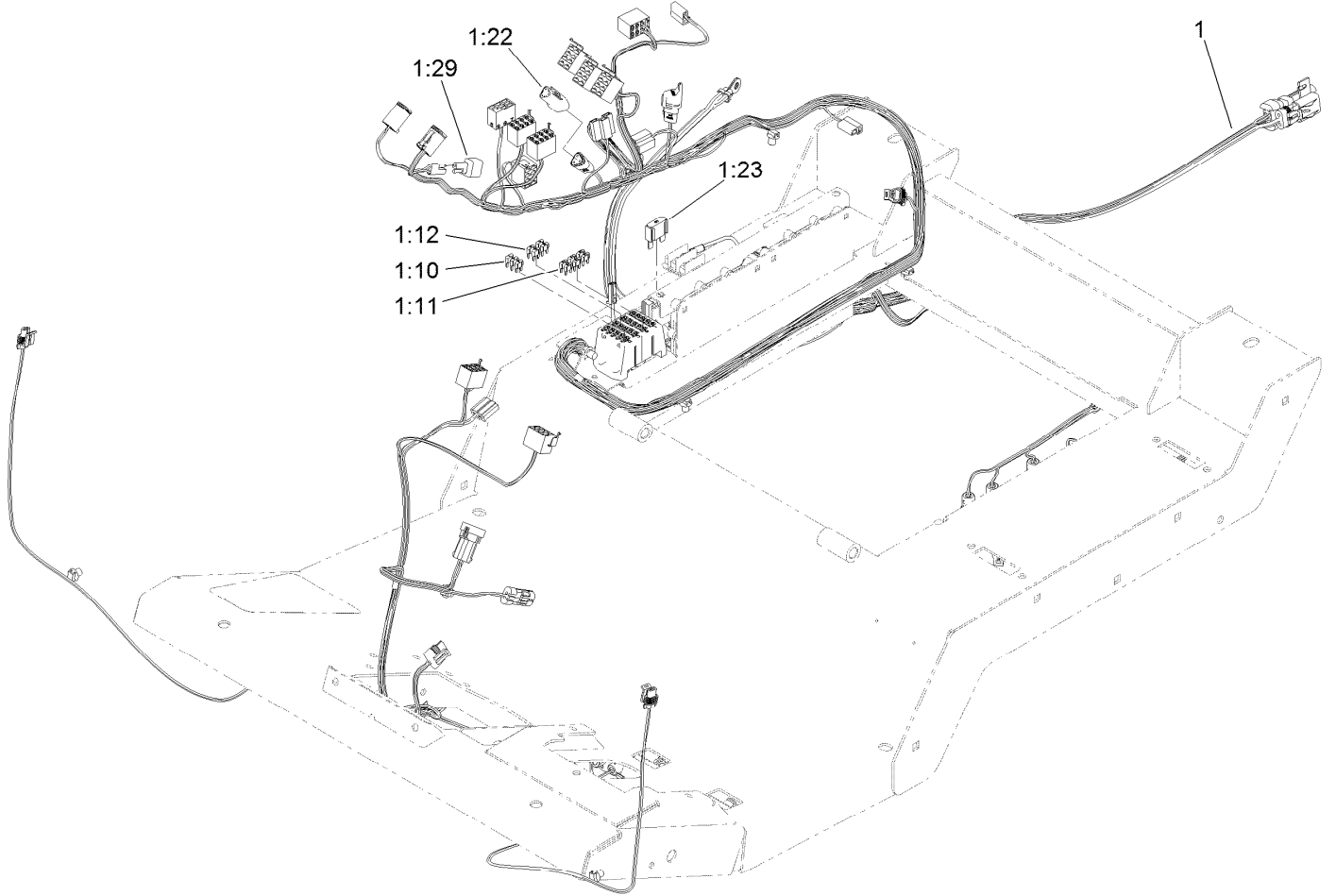
Fender Assembly

<i>Ref.</i>	<i>Part Number</i>	<i>Qty.</i>	<i>Description</i>
1	120-4114	1	Fender-LH
2	121-1580-03	1	Plate-Fender, LH
3	104-8301	4	Nut-HF, NI
4	3231-22	4	Screw-CARR



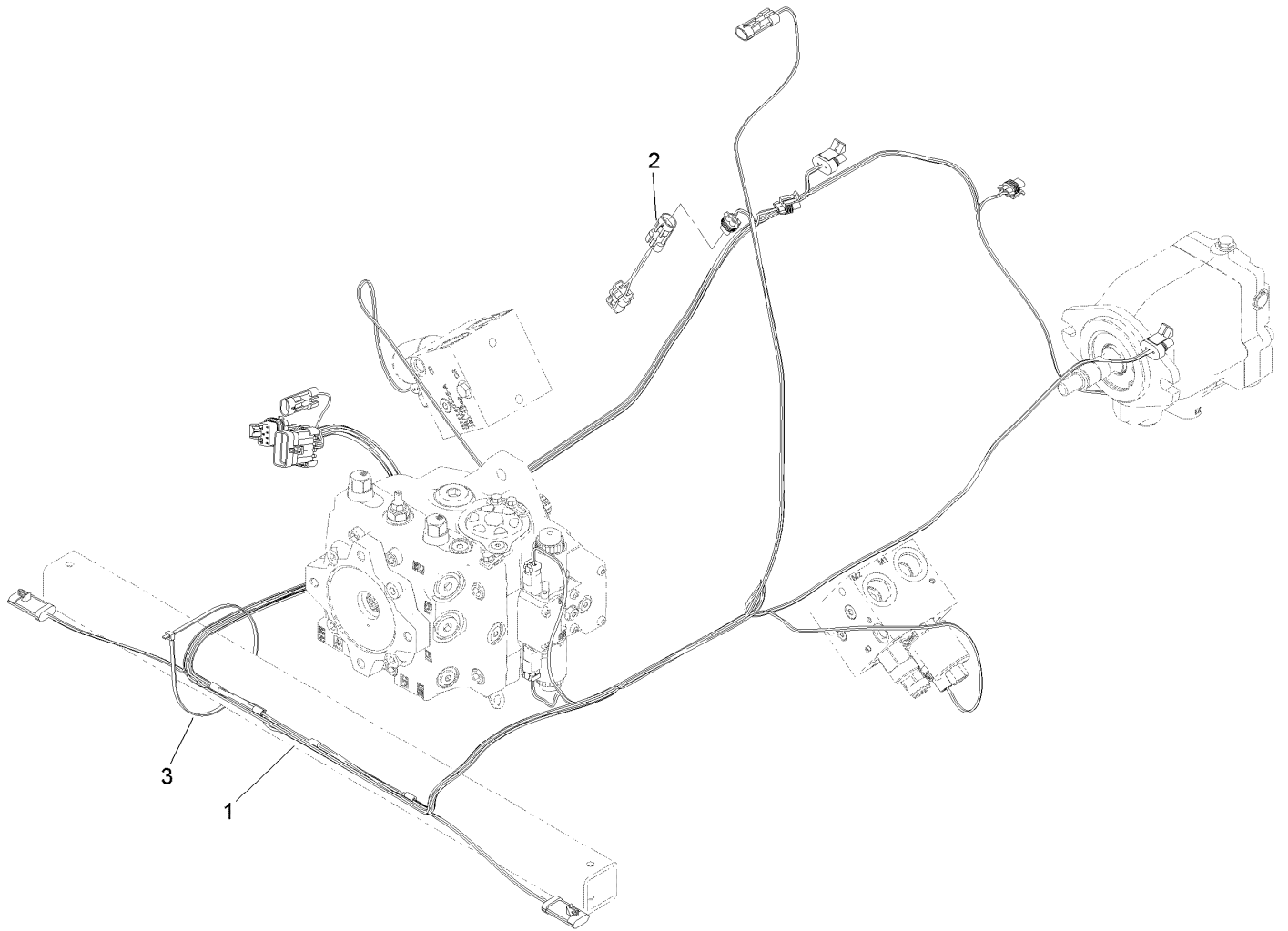
Acoustic Foam Assembly

<i>Ref.</i>	<i>Part Number</i>	<i>Qty.</i>	<i>Description</i>
1	121-1666	1	Foam-Column, Front
2	115-8813	1	Foam-Column, Rear
3	115-8841-01	1	Bracket-Foam, Pawl
4	104-7201	2	Nut-HF
5	3234-33	2	Screw-HHF
6	115-8808	1	Foam-Strip, Front
7	115-8809	1	Foam-Plug, RH
8	121-1681	1	Foam-Steering, Front
9	121-1680	1	Foam-Steering, Rear
10	115-8815	1	Foam-Plug, Brake
11	115-8814	1	Foam-Pawl, Brake
12	121-1675	1	Foam-Brake, Center
13	121-1674	2	Foam-Plug, Brakes
14	127-3696	1	Foam-Seat
15	127-3708	1	Foam-Right



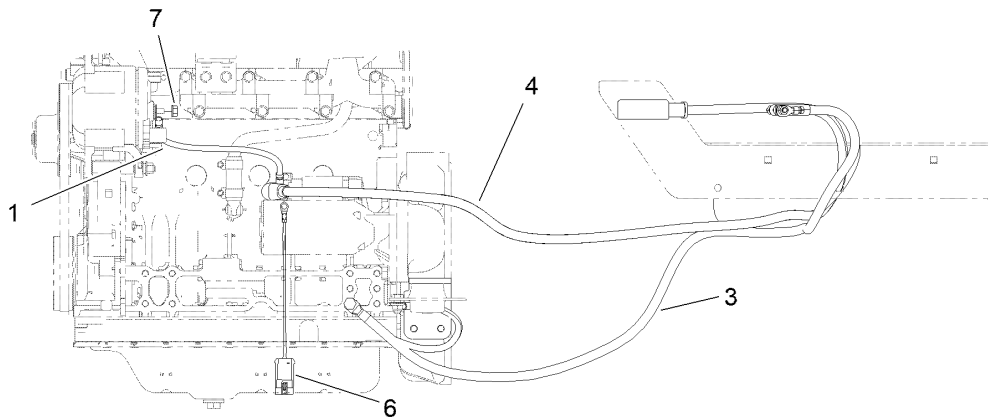
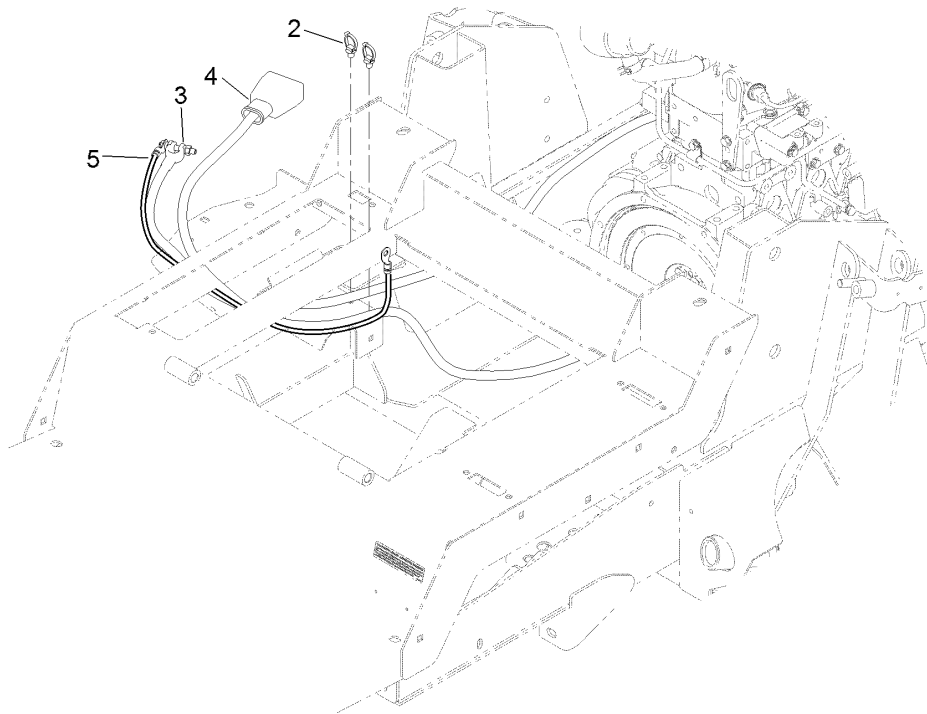
Platform Wire Harness and Fuse Assembly

<i>Ref.</i>	<i>Part Number</i>	<i>Qty.</i>	<i>Description</i>
1	122-0661	1	Harness-Wire, Platform
1:10	121-8861	3	Fuse-Mini Blade, 2 Amp
1:11	121-8865	6	Fuse-Mini Blade, 7.5 Amp
1:12	121-8866	4	Fuse-Mini Blade, 10 Amp
1:22	32180-043	1	Resistor-120 Ohm
1:23	114-3342	1	Fuse-Maxi, 60 Amp
1:29	104-4022	1	Resistor-75 Ohm



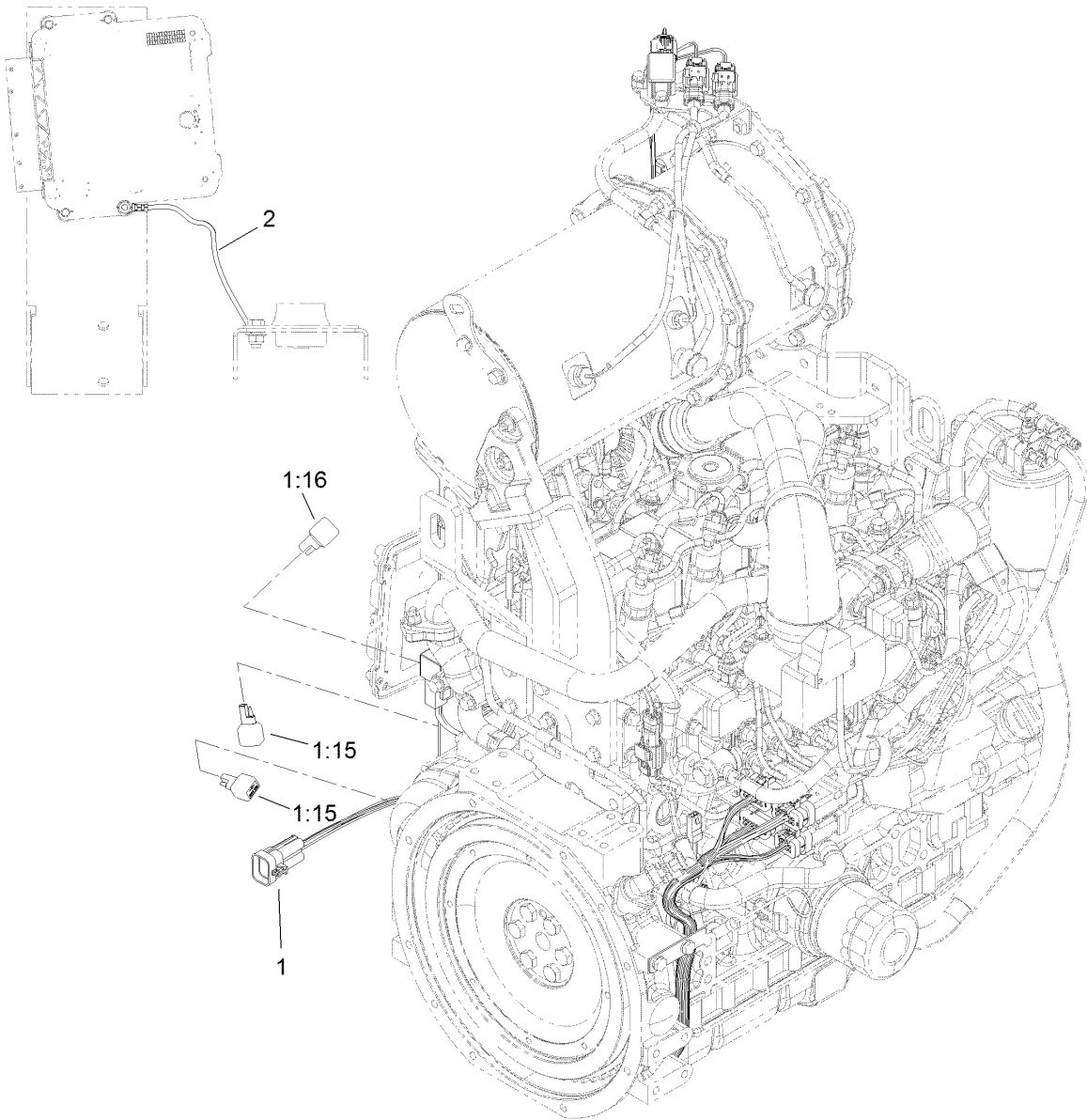
Rear Wire Harness Assembly

<i>Ref.</i>	<i>Part Number</i>	<i>Qty.</i>	<i>Description</i>
1	122-0662	1	Harness-Wire, Rear
2	115-1931	1	Harness-Wire, Fuel Pump Adapter
3	3290-379	1	Tie-Cable



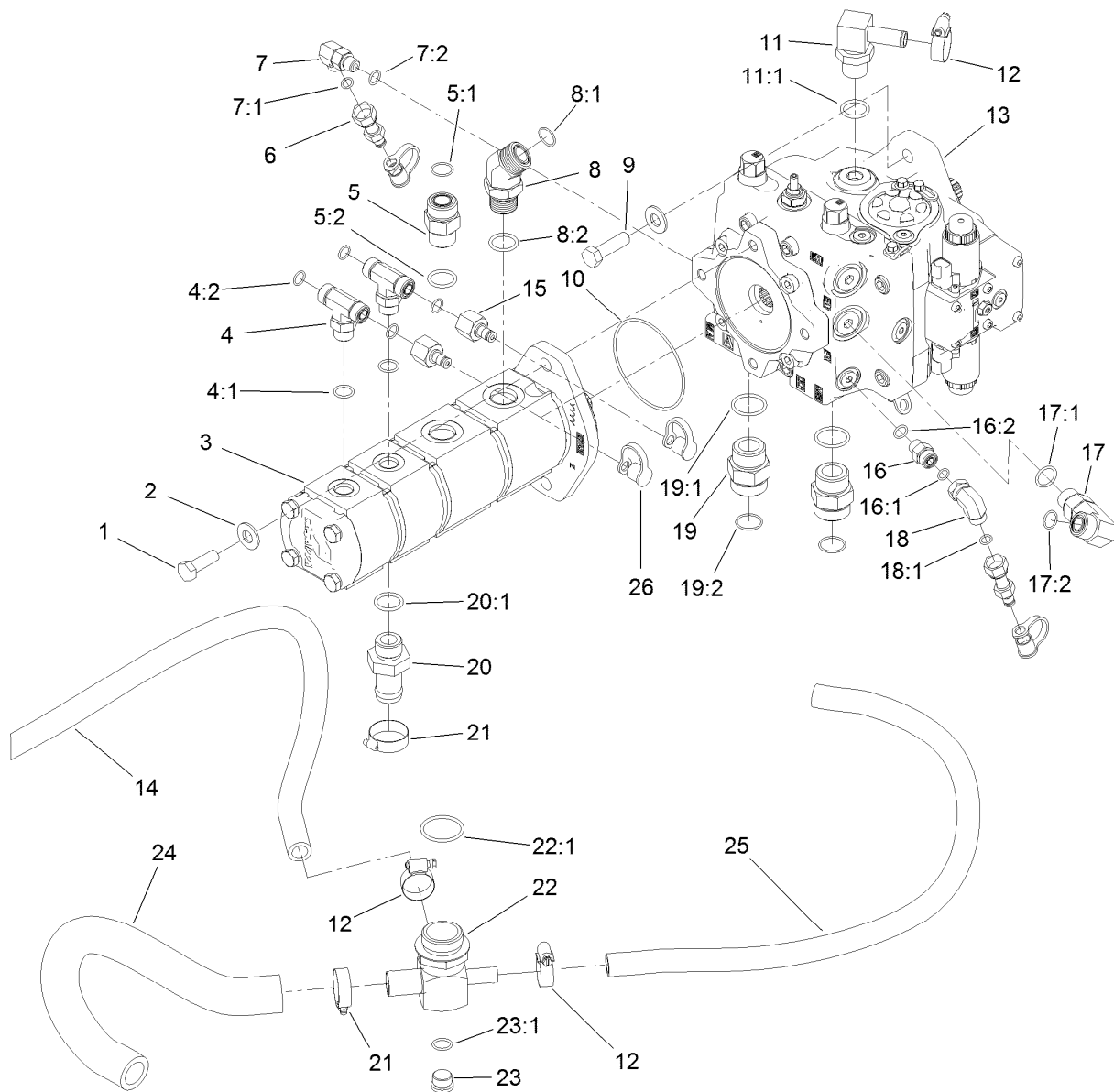
Battery Cable and Ground Assembly

Ref.	Part Number	Qty.	Description
1	122-0071	1	Cable-Battery, Positive
2	32180-030	2	Clip-Tie
3	121-8898	1	Cable-Battery, Negative
4	121-8897	1	Cable-Battery, Positive
5	54-3094	1	Cable
6	108-9470	1	Harness-Wire, Fusible Link
7	33004-00	2	Nut-HF



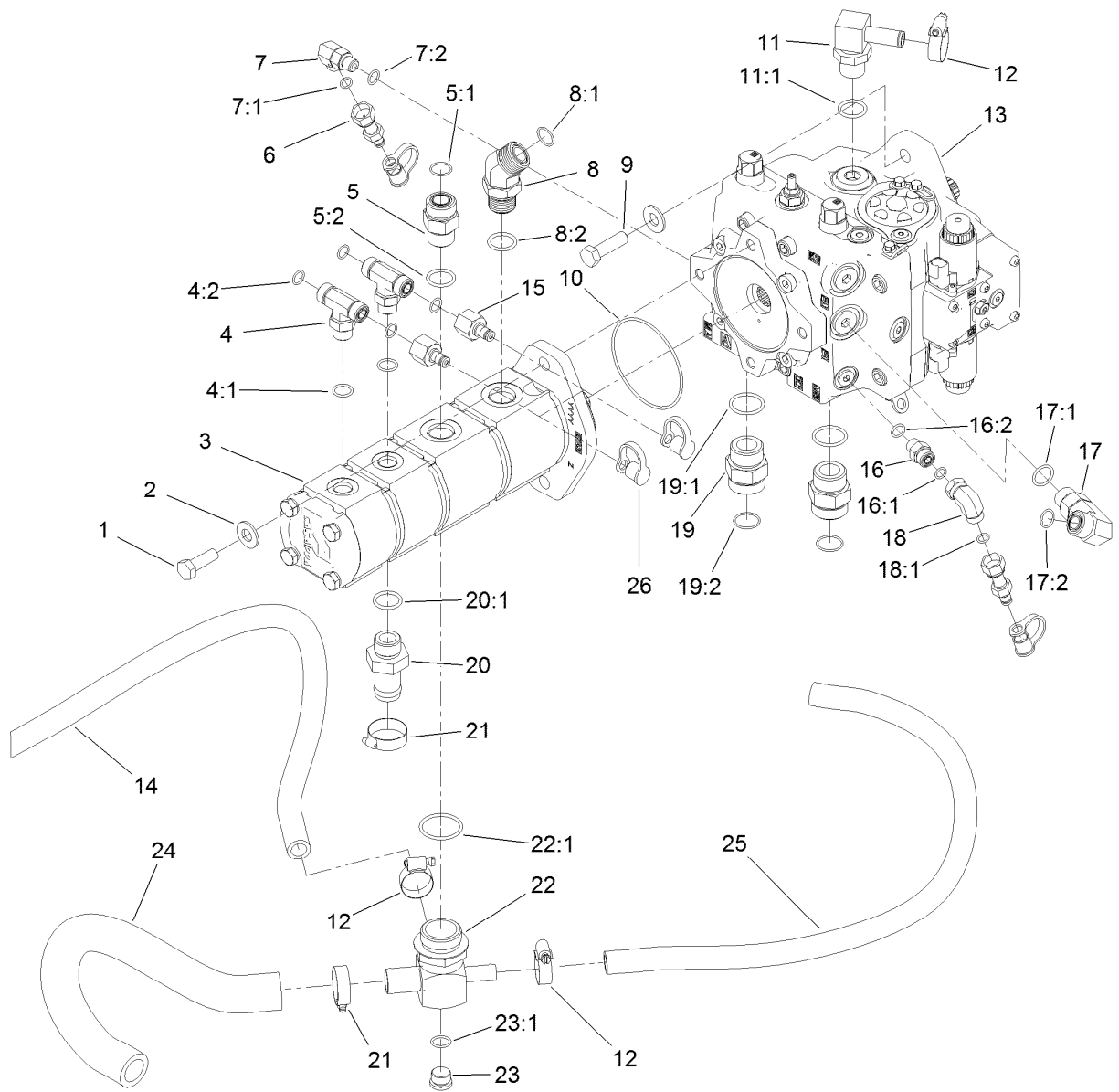
Engine Harness Assembly

<i>Ref.</i>	<i>Part Number</i>	<i>Qty.</i>	<i>Description</i>
1	122-0229	1	Harness-Wire, Engine
1:15	100-4918	2	Diode
1:16	121-8891	1	Resistor (1.6K Ohm)
2	122-0057	1	Harness-Wire, Ground



Piston Pump and Gear Pump Assembly

Ref.	Part Number	Qty.	Description	Ref.	Part Number	Qty.	Description
1	121-1525	2	Screw-HH	13	120-9059	1	Piston Pump ASM
2	87-7270	4	Washer-Thrust	14	121-1647	1	Hose-HYD
3	120-8904	1	4-Section Gear Pump ASM	15	100-5616	2	Fitting
4	340-157	2	Fitting-HYD, Tee	16	340-2	1	Fitting-Straight
4:1	237-79	1	O-Ring	16:1	237-22	1	O-Ring
4:2	237-30	2	O-Ring	16:2	237-42	1	O-Ring
5	340-9	1	Fitting-STR	17	121-1492	1	Fitting-90
5:1	237-58	1	O-Ring	17:1	237-80	1	O-Ring
5:2	237-81	1	O-Ring	17:2	237-65	1	O-Ring
6	86-5480	2	Nipple-Test	18	340-159	1	Elbow-90
7	340-77	1	Fitting-Elbow, 90 DEG	18:1	237-22	2	O-Ring
7:1	237-22	1	O-Ring	19	104-3797	2	Fitting-Straight
7:2	237-42	1	O-Ring	19:1	237-146	1	O-Ring
8	100-5530	1	Fitting-45 DEG	19:2	340-65	1	O-Ring
8:1	237-58	1	O-Ring	20	99-3017	1	Fitting
8:2	237-81	1	O-Ring	20:1	237-81	1	O-Ring
9	121-1524	2	Screw-HH	21	2412-34	2	Clamp-Hose
10	107-9447	1	O-Ring	22	121-1682	1	Fitting-Tee
11	117-3681	1	Fitting-HYD, 90 DEG	22:1	237-101	1	O-Ring
11:1	237-81	1	O-Ring	23	353-988	1	Plug-Hex
12	2412-129	3	Clamp-Hose	23:1	237-79	1	O-Ring

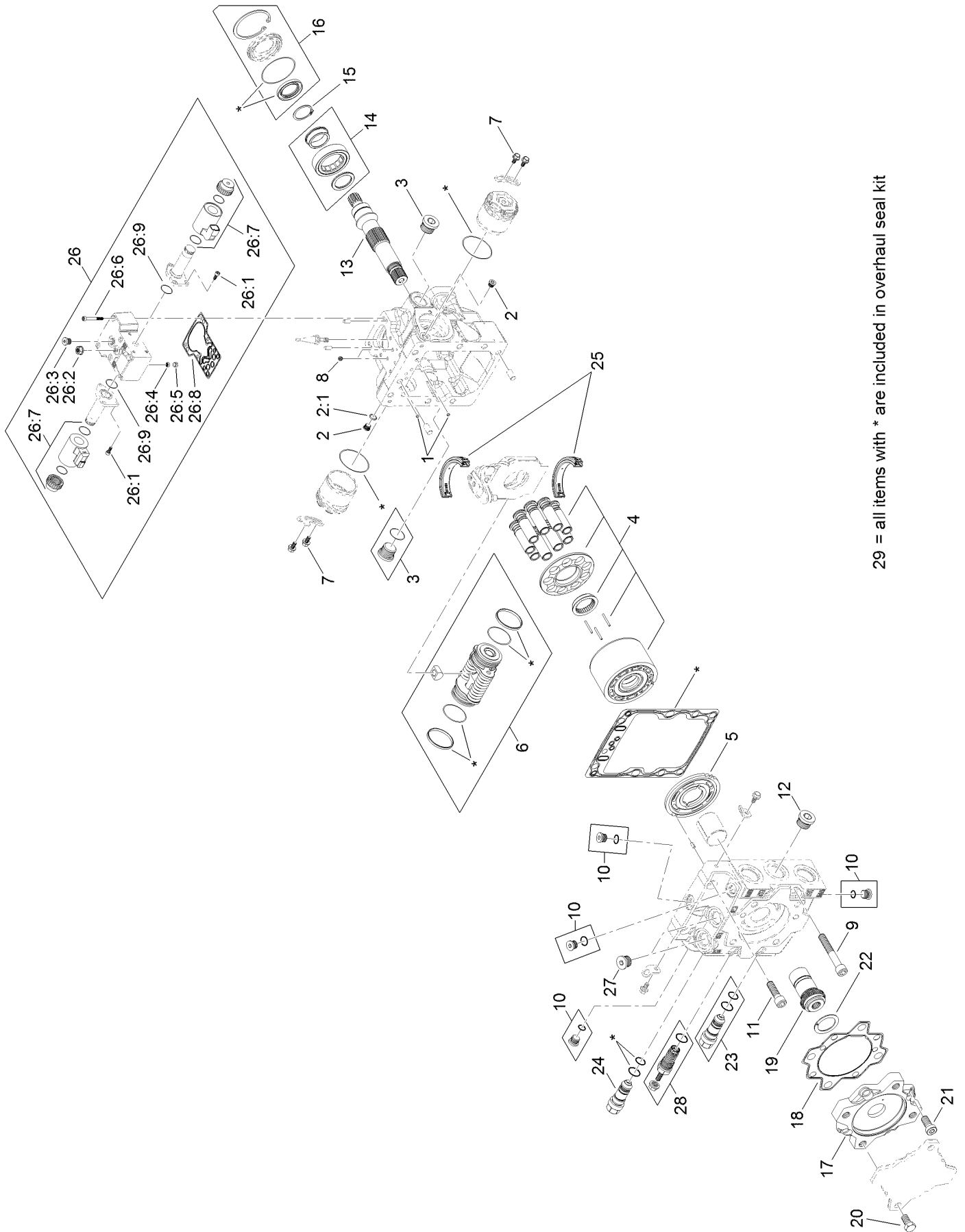


Piston Pump and Gear Pump Assembly (continued)

Ref.	Part Number	Qty.	Description
24	120-8815	1	Hose-Suction

Ref.	Part Number	Qty.	Description
25	120-9050	1	Hose-HYD
26	354-79	4	Cap-Dust

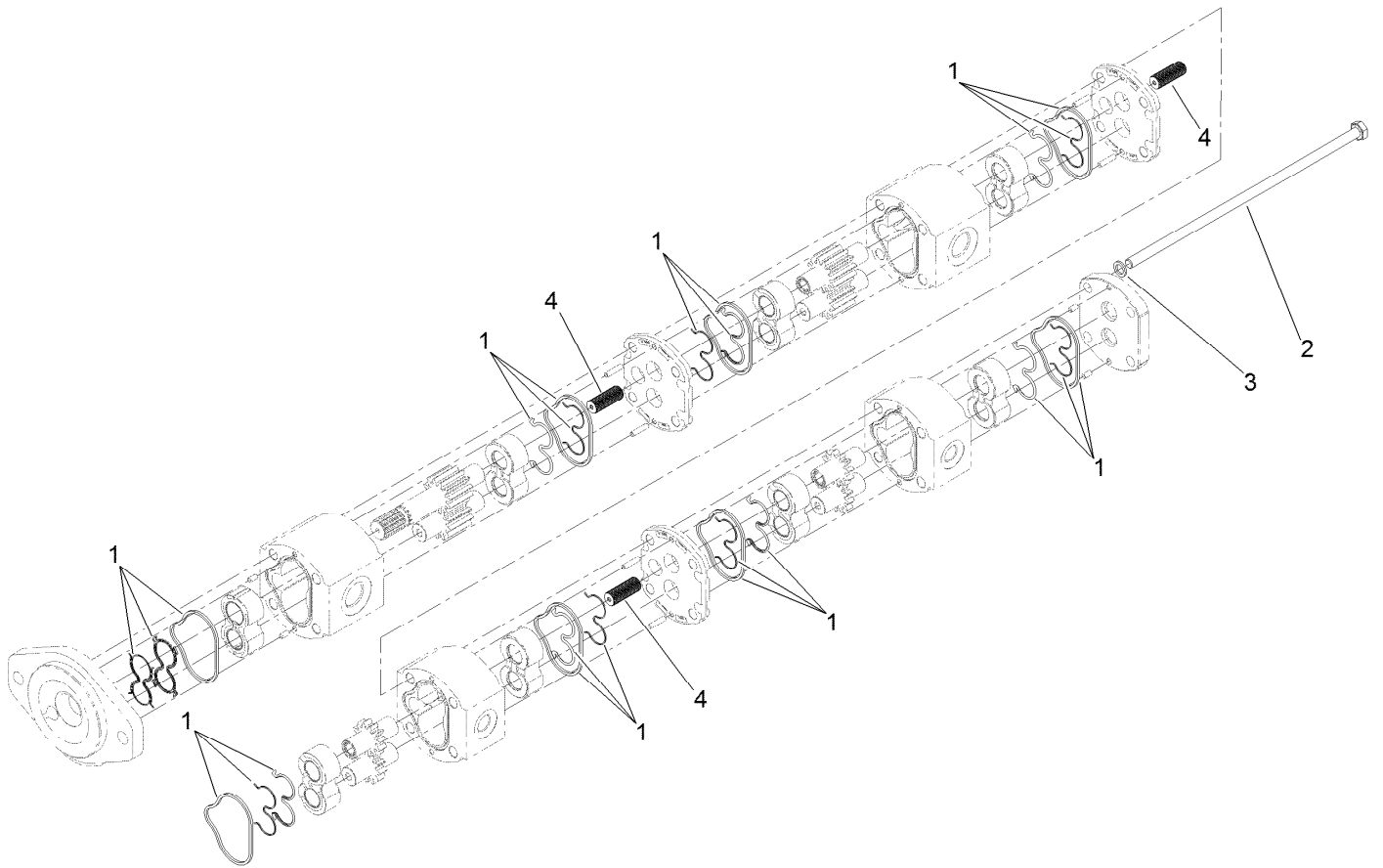
Piston Pump Assembly No. 120-9059



29 = all items with * are included in overhaul seal kit

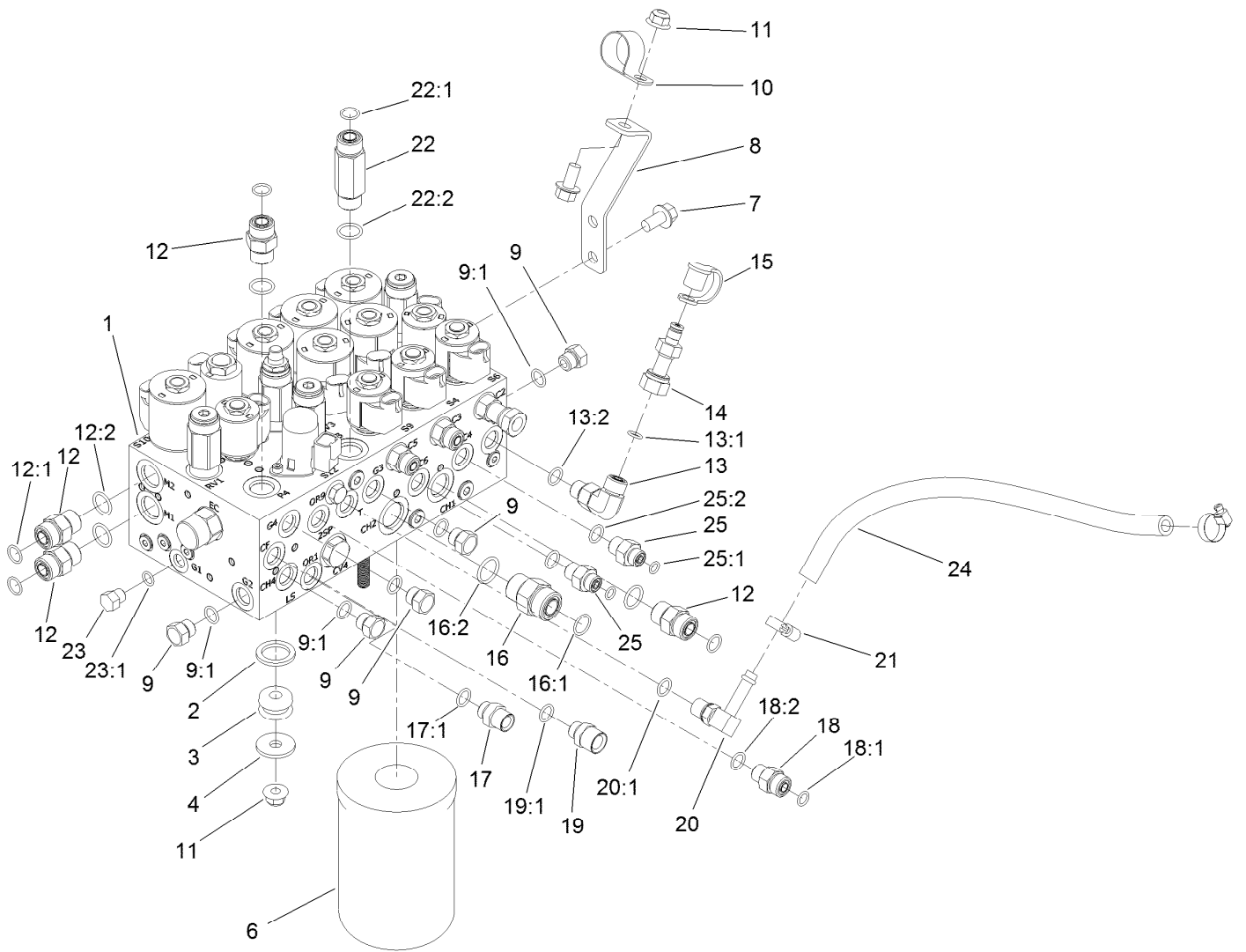
Piston Pump Assembly No. 120-9059 (continued)

<i>Ref.</i>	<i>Part Number</i>	<i>Qty.</i>	<i>Description</i>	<i>Ref.</i>	<i>Part Number</i>	<i>Qty.</i>	<i>Description</i>
1	125-5266	2	Screen	20	125-5281	4	Screw
2	75-0170	2	Plug-Thread, Straight	21	125-5282	4	Screw
2:1	92-8777	1	O-Ring	22	125-5287	1	Plate-Thrust
3	107-4352	2	Plug	23	121-1731	1	Valve-Relief, High Pressure
4	121-1723	1	Cylinder Block Kit	24	125-5291	1	Valve-Relief, High Pressure
5	121-1724	1	Plate-Valve, CW	25	121-1732	1	Swash Plate Bearing Kit
6	121-1725	1	Servo Piston ASM	26	125-5295	1	Control Kit (12 Volt)
7	125-5270	6	Screw	26:1	125-5272	6	Screw
8	125-5276	2	Orifice (0.8)	26:2	125-5273	1	Nut-Seal
9	121-1726	4	Screw	26:3	125-5302	1	Plug
10	125-5300	4	Plug ASM	26:4	125-5266	1	Screen
11	121-1727	2	Screw	26:5	125-5269	1	Ring-Locking
12	125-5301	1	Plug	26:6	125-5274	6	Screw
13	121-1728	1	Shaft	26:7	125-5294	2	Coil Kit
14	125-5279	1	Bearing-Roller	26:8	125-5283	1	Gasket-Control
15	125-5280	1	Ring-Retaining	26:9	125-5288	2	O-Ring
16	121-1729	1	Shaft Seal Kit	27	125-5303	2	Plug ASM
17	125-5284	1	Adapter	28	125-5297	1	Charge Relief Kit
18	125-5285	1	Seal-Adapter	29	121-1733	1	Overhaul Seal Kit
19	121-1730	1	Coupling				



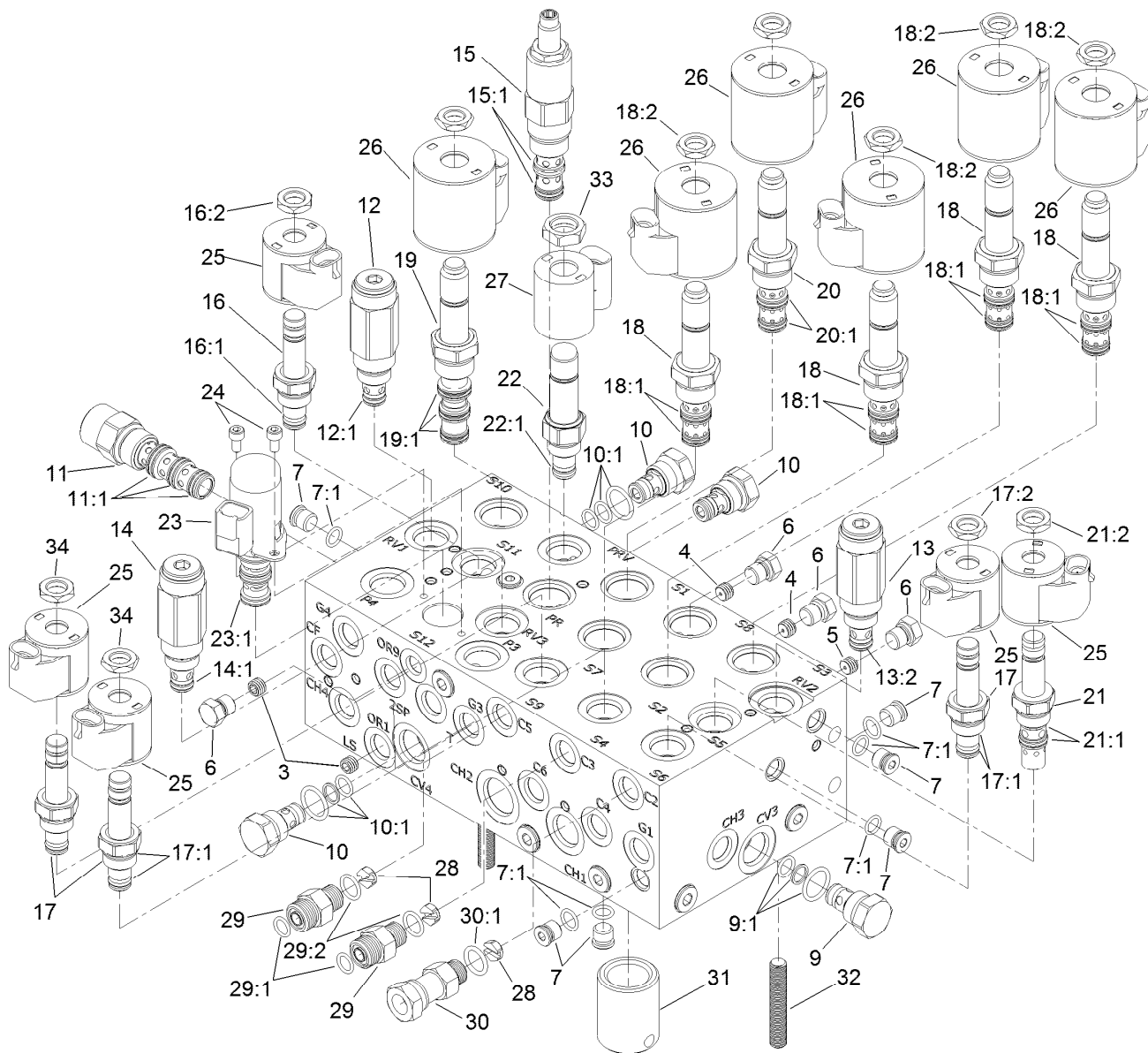
4-Section Gear Pump Assembly No. 120-8904

<i>Ref.</i>	<i>Part Number</i>	<i>Qty.</i>	<i>Description</i>
1	115-3776	1	Seal Kit
2	121-1721	4	Bolt
3	121-1722	4	Washer
4	120-6284	3	Hub-Connecting



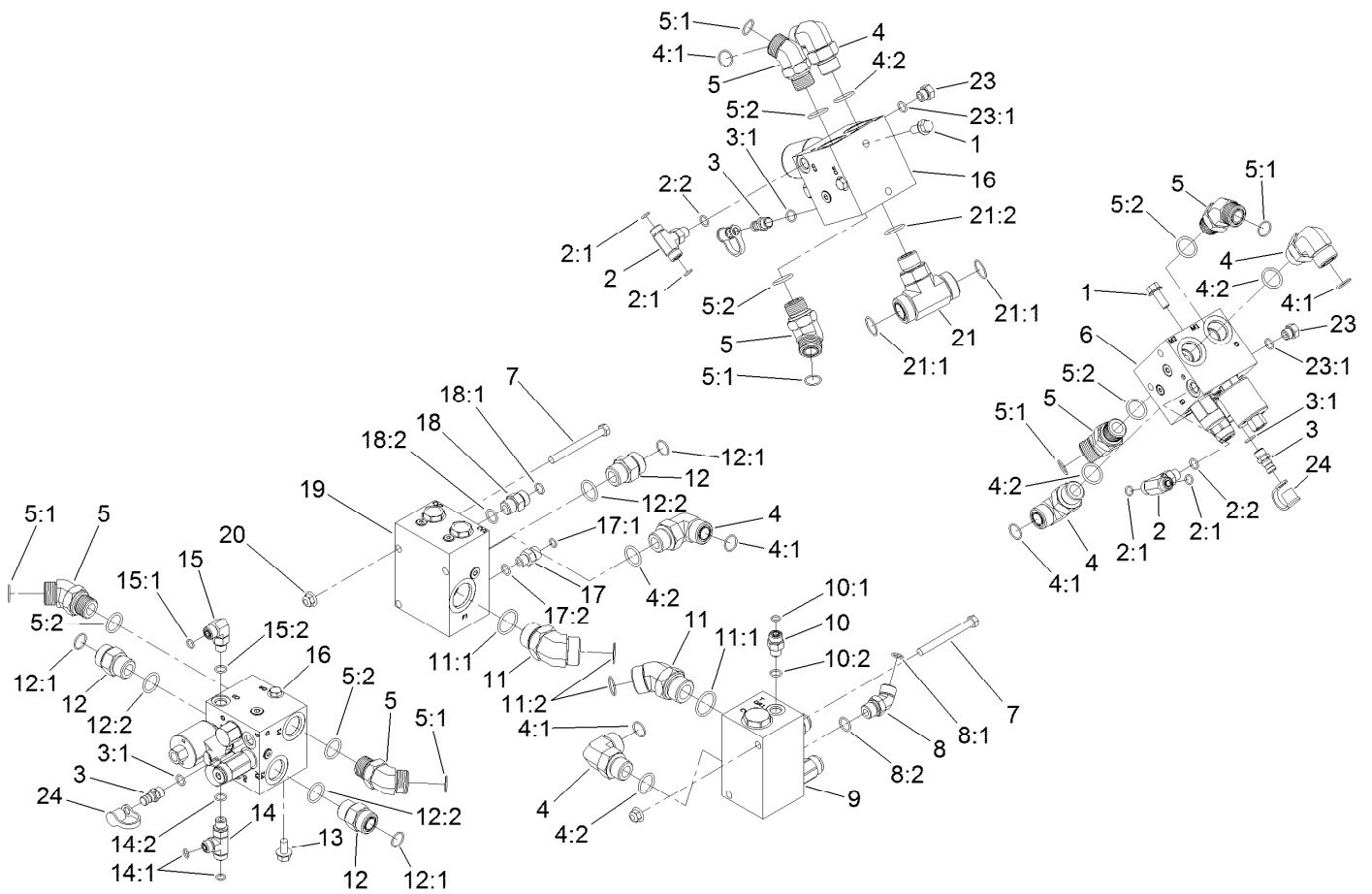
Combination Manifold Assembly

Ref.	Part Number	Qty.	Description	Ref.	Part Number	Qty.	Description
1	127-3650	1	HYD Combination Manifold ASM	16:1	237-65	1	O-Ring
2	92-2650	3	Spacer-Clutch	16:2	237-80	1	O-Ring
3	63-9750	3	Mount	17	120-8975	1	Fitting-Straight
4	63-8410	3	Washer	17:1	237-42	1	O-Ring
6	75-1310	1	Filter-HYD	18	340-2	1	Fitting-Straight
7	3234-1	3	Screw-HHF	18:1	237-22	1	O-Ring
8	121-1542	1	Plate-Mount, Hose	18:2	237-42	1	O-Ring
9	353-508	5	Plug-HH	19	120-8979	1	Fitting-Straight
9:1	237-42	1	O-Ring	19:1	237-42	1	O-Ring
10	2412-126	1	R-Clamp	20	100-4887	1	Fitting-Elbow, 90
11	104-8301	4	Nut-HF, NI	20:1	237-42	1	O-Ring
12	340-4	4	Fitting-Straight	21	2412-36	2	Clamp-Hose
12:1	237-30	1	O-Ring	22	119-4854	1	Fitting-STR
12:2	237-79	1	O-Ring	22:1	237-30	1	O-Ring
13	340-77	1	Fitting-Elbow, 90 DEG	22:2	237-79	1	O-Ring
13:1	237-22	1	O-Ring	23	353-512	1	Plug
13:2	237-42	1	O-Ring	23:1	237-78	1	O-Ring
14	86-5480	1	Nipple-Test	24	87-5730	1	Hose
15	354-79	1	Cap-Dust	25	340-1	2	Fitting-Straight
16	340-7	1	Fitting-Straight	25:1	237-21	1	O-Ring
				25:2	237-42	1	O-Ring



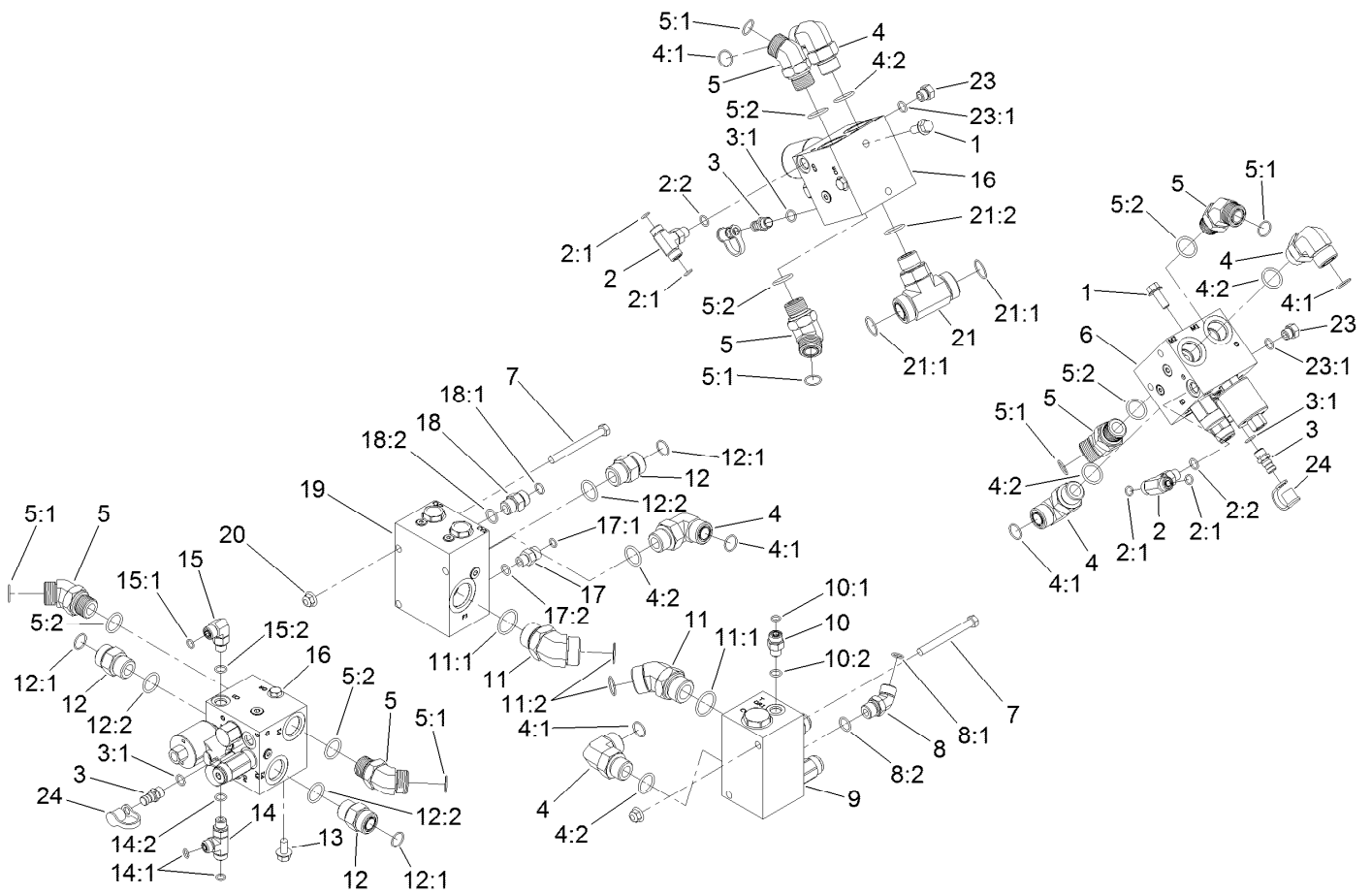
Combination Manifold Assembly No. 127-3650 (continued)

Ref.	Part Number	Qty.	Description	Ref.	Part Number	Qty.	Description
25	110-0497	5	Coil-Solenoid	30	104-3779	1	Connector-Swivel, Straight
26	110-6344	6	Coil-12V, DC	30:1	237-42	1	O-Ring
27	125-7553	1	E-Coil, 12Vdc	31	125-7551	1	Nipple-Filter
28	125-7552	3	Orifice-Check, .070 DIA	32	130-2661	3	Stud-Manifold
29	340-2	2	Fitting-Straight	33	125-7550	1	Nut-Coil
29:1	237-22	1	O-Ring	34	110-2634	11	Nut-Coil
29:2	237-42	1	O-Ring				



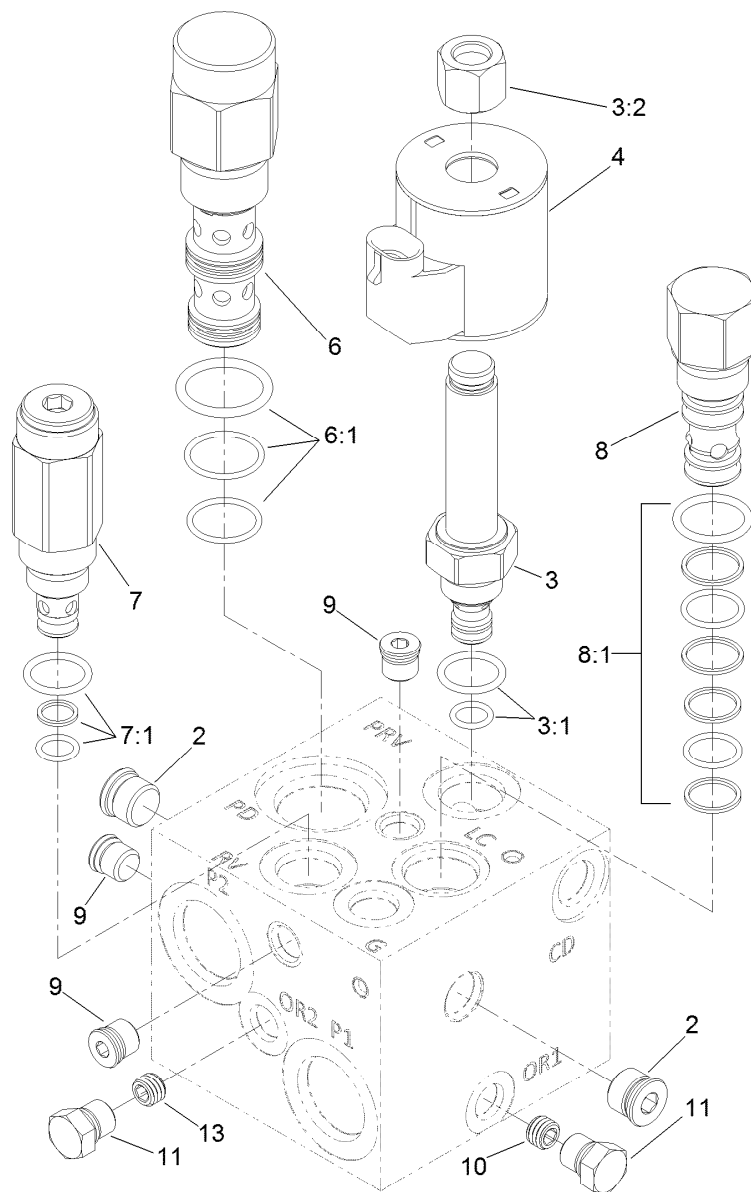
Manifold Block Assembly

<i>Ref.</i>	<i>Part Number</i>	<i>Qty.</i>	<i>Description</i>	<i>Ref.</i>	<i>Part Number</i>	<i>Qty.</i>	<i>Description</i>
1	3234-11	4	Screw-HHF	11	104-3509	2	Fitting-HYD, 45 DEG
2	340-94	2	Adapter	11:1	237-146	1	O-Ring
2:1	237-22	2	O-Ring	11:2	340-65	1	O-Ring
2:2	237-42	1	O-Ring	12	340-9	3	Fitting-STR
3	59-7410	3	Fitting-Diagnostic	12:1	237-58	1	O-Ring
3:1	237-42	1	O-Ring	12:2	237-81	1	O-Ring
4	340-142	5	Fitting-Elbow, 90 DEG	13	3234-1	2	Screw-HHF
4:1	237-58	1	O-Ring	14	340-86	1	Fitting-Tee
4:2	237-81	1	O-Ring	14:1	237-22	2	O-Ring
5	100-5530	6	Fitting-45 DEG	14:2	237-42	1	O-Ring
5:1	237-58	1	O-Ring	15	340-77	1	Fitting-Elbow, 90 DEG
5:2	237-81	1	O-Ring	15:1	237-22	1	O-Ring
6	131-1249	1	Manifold-PTO, Left	15:2	237-42	1	O-Ring
7	323-42	4	Screw-HH	16	131-1248	2	Center And Right PTO Manifold ASM
8	340-101	1	Fitting-HYD, 45 DEG	17	92-9258	1	Adapter-Check
8:1	237-30	1	O-Ring	17:1	237-22	1	O-Ring
8:2	237-79	1	O-Ring	17:2	237-42	1	O-Ring
9	121-1530	1	Manifold-Traction, Rear	18	100-4890	1	Fitting-Check
10	340-2	1	Fitting-Straight	18:1	237-79	1	O-Ring
10:1	237-22	1	O-Ring	18:2	237-30	1	O-Ring
10:2	237-42	1	O-Ring				



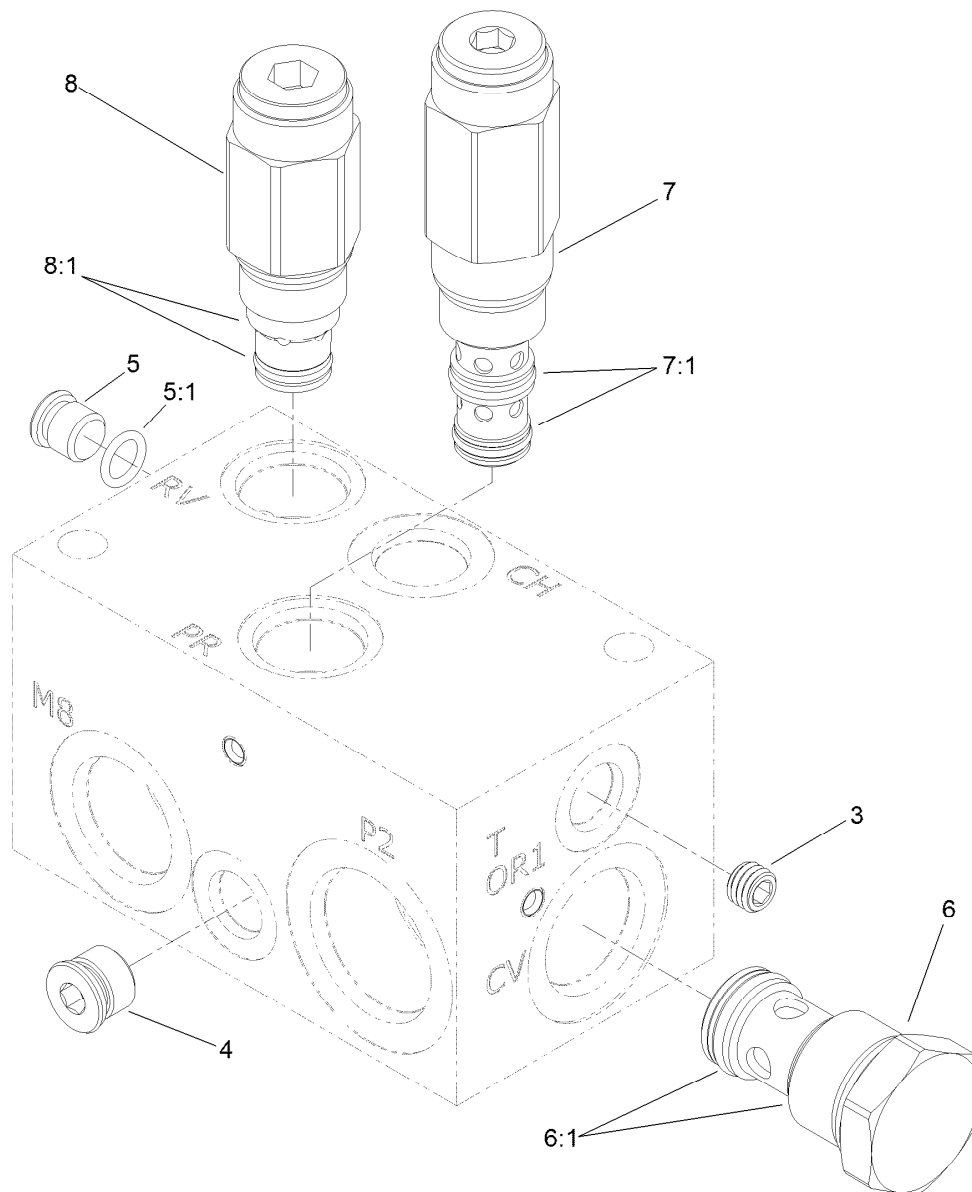
Manifold Block Assembly (continued)

<i>Ref.</i>	<i>Part Number</i>	<i>Qty.</i>	<i>Description</i>	<i>Ref.</i>	<i>Part Number</i>	<i>Qty.</i>	<i>Description</i>
19	121-1550	1	Flow Divider Manifold ASM	21:2	237-81	1	O-Ring
20	104-8301	4	Nut-HF, NI	23	353-508	2	Plug-HH
21	120-8825	1	Fitting-Tee	23:1	237-42	1	O-Ring
21:1	340-65	2	O-Ring	24	354-79	3	Cap-Dust



Left PTO Manifold Assembly No. 131-1249

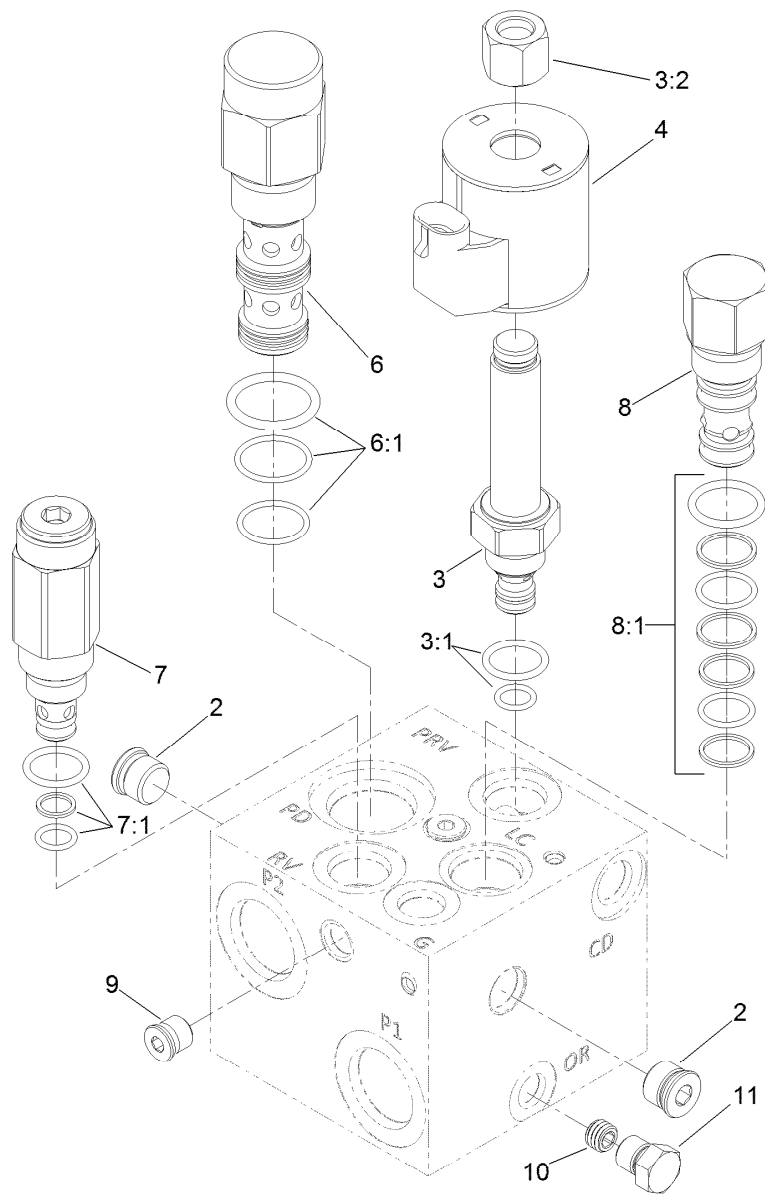
Ref.	Part Number	Qty.	Description
2	112-9213	2	Plug
3	117-0227	1	Valve-Relief, Proportional
3:1	105-9156	1	Seal Kit
3:2	119-2160	1	Nut-Coil
4	110-6344	1	Coil-12V, DC
6	125-4327	1	Valve-Directional, Pilot
6:1	114-5515	1	Seal Kit
7	114-5512	1	Valve-Relief, 600 PSI
7:1	105-9156	1	Seal Kit
8	105-9153	1	Element-Logic, Vented
8:1	119-2159	1	Seal Kit
9	112-9212	3	Plug
10	117-8315	1	Orifice (.025 Inch)
11	117-0115	2	Plug
13	112-6538	1	Orifice (.063 Inch)



Rear Traction Manifold Assembly No. 121-1530

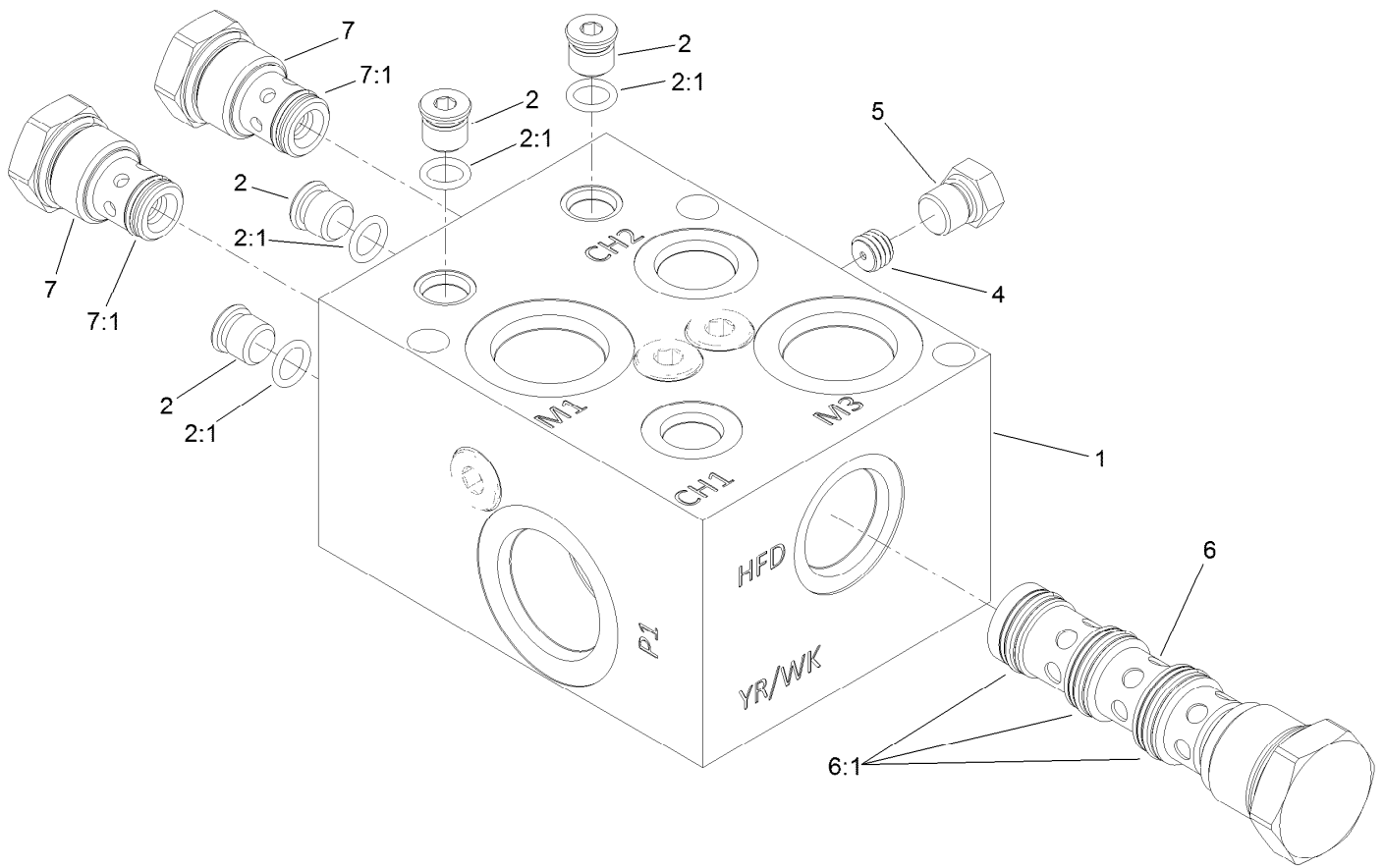
Ref.	Part Number	Qty.	Description
3	107-7525	1	Plug-Orifice (.050 Inch)
4		1	Plug ●
5	353-990	1	Plug ASM
5:1	237-78	1	O-Ring
6	125-4328	1	Valve-Check
6:1	125-4336	1	Seal Kit
7	125-4329	1	Valve-Reducing
7:1	125-4334	1	Seal Kit
8	125-4331	1	Valve-Relief
8:1	110-6316	1	Seal Kit

● Not serviced separately



Center and Right PTO Manifold Assembly No. 131-1248

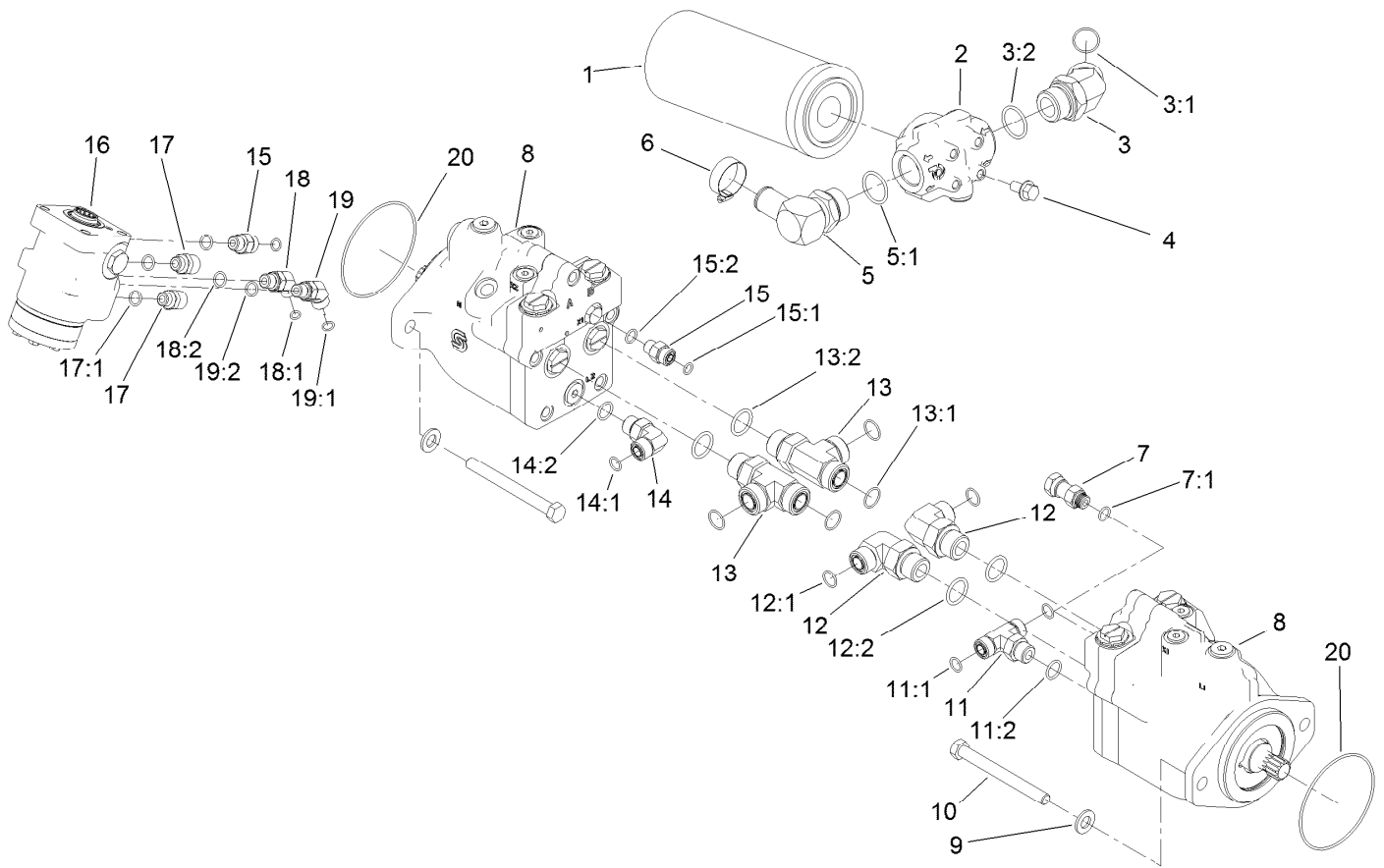
Ref.	Part Number	Qty.	Description
2	112-9213	2	Plug
3	117-0227	1	Valve-Relief, Proportional
3:1	105-9156	1	Seal Kit
3:2	119-2160	1	Nut-Coil
4	110-6344	1	Coil-12V, DC
6	125-4327	1	Valve-Directional, Pilot
6:1	114-5515	1	Seal Kit
7	114-5512	1	Valve-Relief, 600 PSI
7:1	105-9156	1	Seal Kit
8	105-9153	1	Element-Logic, Vented
8:1	119-2159	1	Seal Kit
9	112-9212	3	Plug
10	117-8315	1	Orifice (.025 Inch)
11	117-0115	1	Plug



Flow Divider Manifold Assembly No. 121-1550

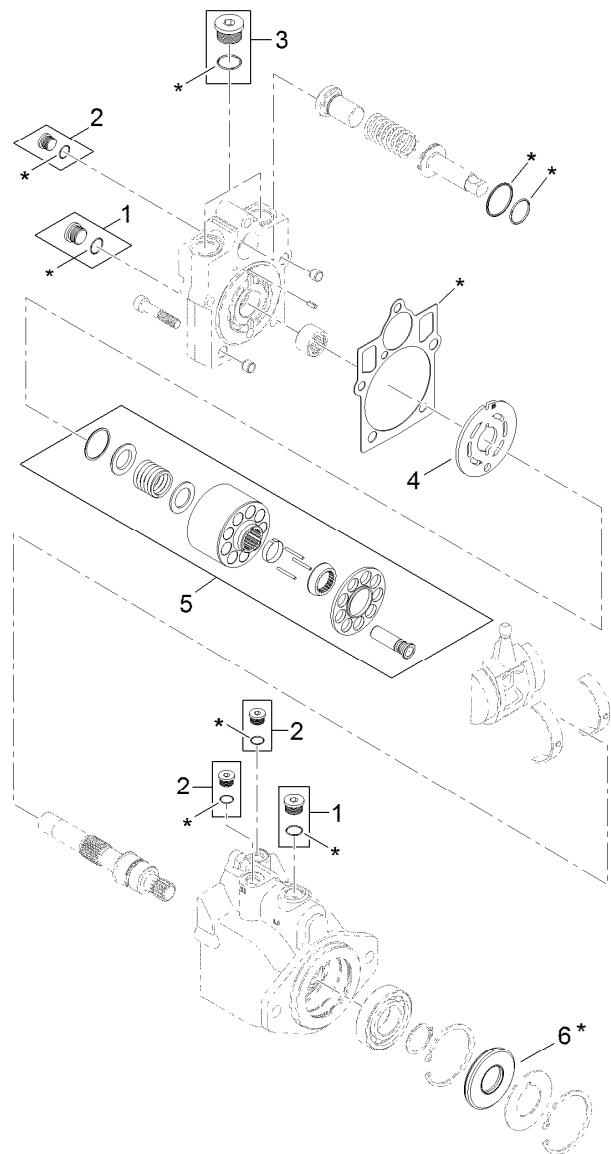
Ref.	Part Number	Qty.	Description
1		1	Manifold Block ●
2	353-990	4	Plug ASM
2:1	237-78	1	O-Ring
4	112-6538	1	Orifice (.063 Inch)
5	117-0115	1	Plug
6	125-4332	1	Valve-Flow Divider
6:1	125-4338	1	Seal Kit
7	125-4333	2	Valve-Check
7:1	125-4337	1	Seal Kit

● Not serviced separately



Drive Motor, Steer Valve and Filter Head Assembly

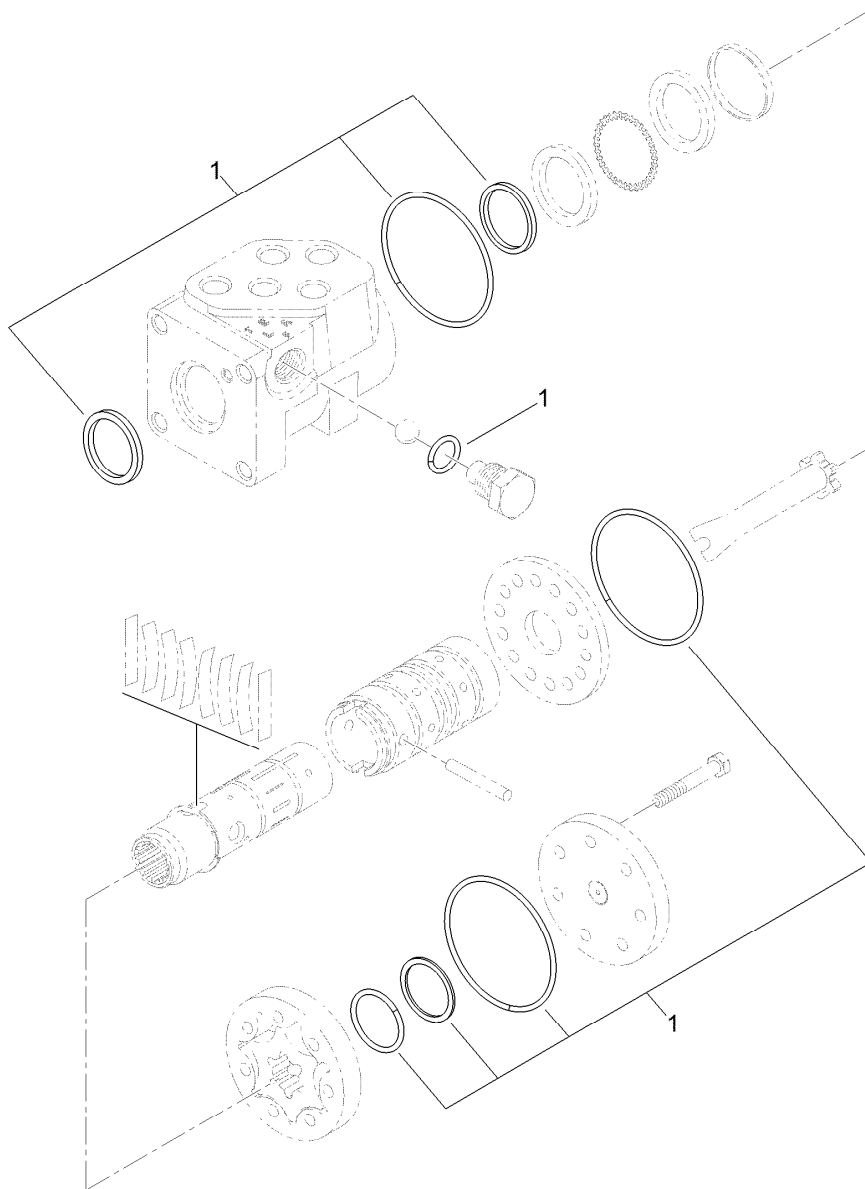
Ref.	Part Number	Qty.	Description	Ref.	Part Number	Qty.	Description
1	94-2621	1	Element-Filter	13	340-148	2	Fitting-Tee
2	121-1577	1	Head-Filter	13:1	237-81	1	O-Ring
3	104-3509	1	Fitting-HYD, 45 DEG	13:2	237-58	2	O-Ring
3:1	237-146	1	O-Ring	14	340-98	1	Fitting-Elbow, 90 DEG
3:2	340-65	1	O-Ring	14:1	237-79	1	O-Ring
4	3234-1	4	Screw-HHF	14:2	237-30	1	O-Ring
5	23-8910	1	Stem-Barb-90	15	340-2	2	Fitting-Straight
5:1	237-146	1	O-Ring	15:1	237-22	1	O-Ring
6	2412-34	1	Clamp-Hose	15:2	237-42	1	O-Ring
7	104-3779	1	Connector-Swivel, Straight	16	130-7949	1	Steering Control Valve ASM
7:1	237-42	1	O-Ring	17	120-8979	2	Fitting-Straight
8	120-8812	2	HYD Motor ASM	17:1	237-42	1	O-Ring
9	106-9888	4	Washer-Flat	18	340-137	1	Fitting
10	33116-120	4	Screw-HH	18:1	237-21	1	O-Ring
11	340-157	1	Fitting-HYD, Tee	18:2	237-42	1	O-Ring
11:1	237-79	1	O-Ring	19	340-87	1	Fitting-Elbow, 45 DEG
11:2	237-30	2	O-Ring	19:1	237-22	1	O-Ring
12	340-139	2	Fitting-Elbow 90	19:2	237-42	1	O-Ring
12:1	237-81	1	O-Ring	20	237-166	2	O-Ring
12:2	237-65	1	O-Ring				



7 = all items with * are included in overhaul seal kit

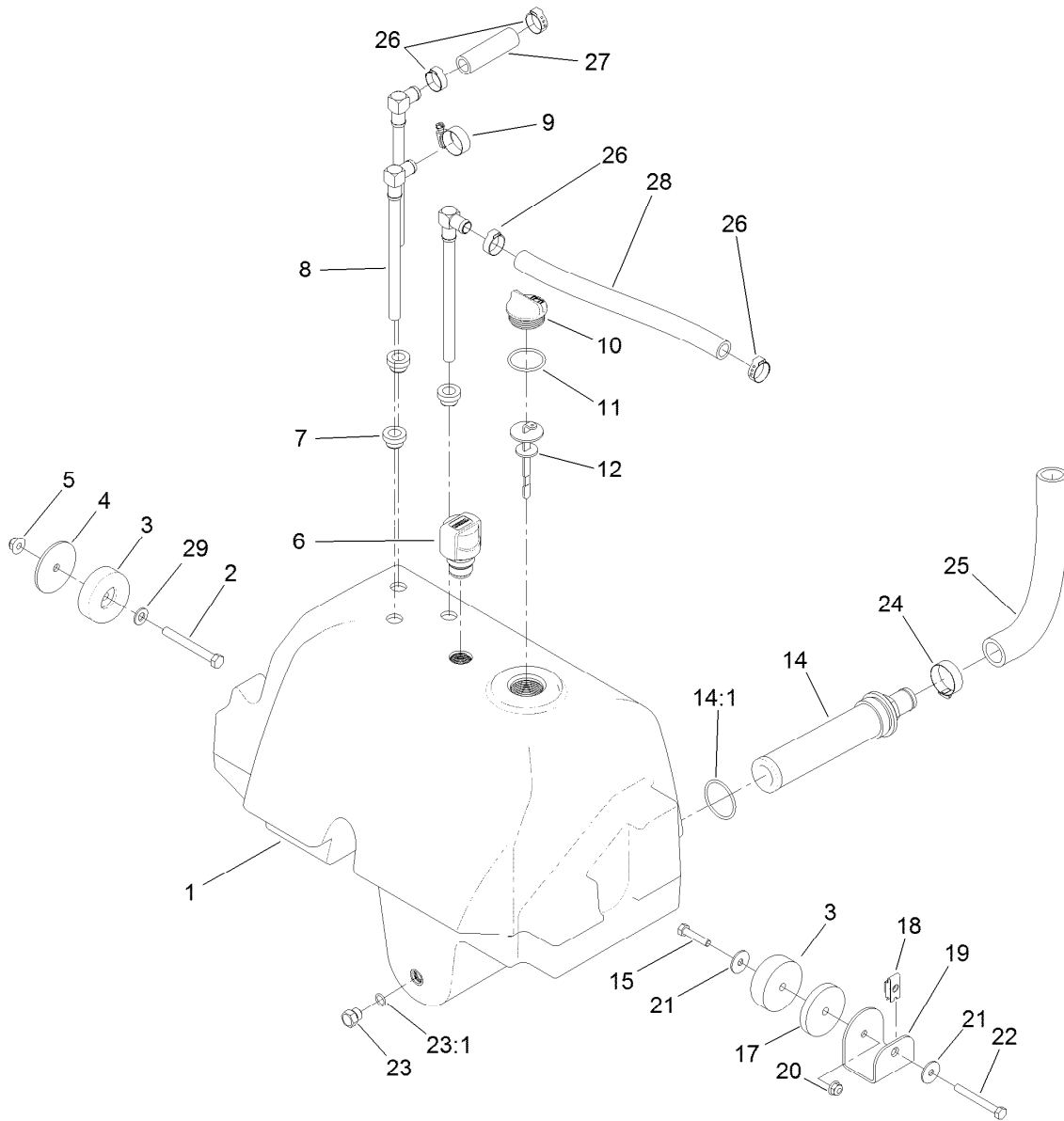
Hydraulic Motor Assembly No. 120-8812

<i>Ref.</i>	<i>Part Number</i>	<i>Qty.</i>	<i>Description</i>
1	67-9090	2	Plug
2	75-0070	3	Plug
3	107-4352	1	Plug
4	121-1734	1	Plate-Valve
5	121-1735	1	Cylinder Block Kit
6	69-3190	1	Seal-Lip
7	121-1736	1	Overhaul Seal Kit



Steering Valve Assembly No. 130-7949

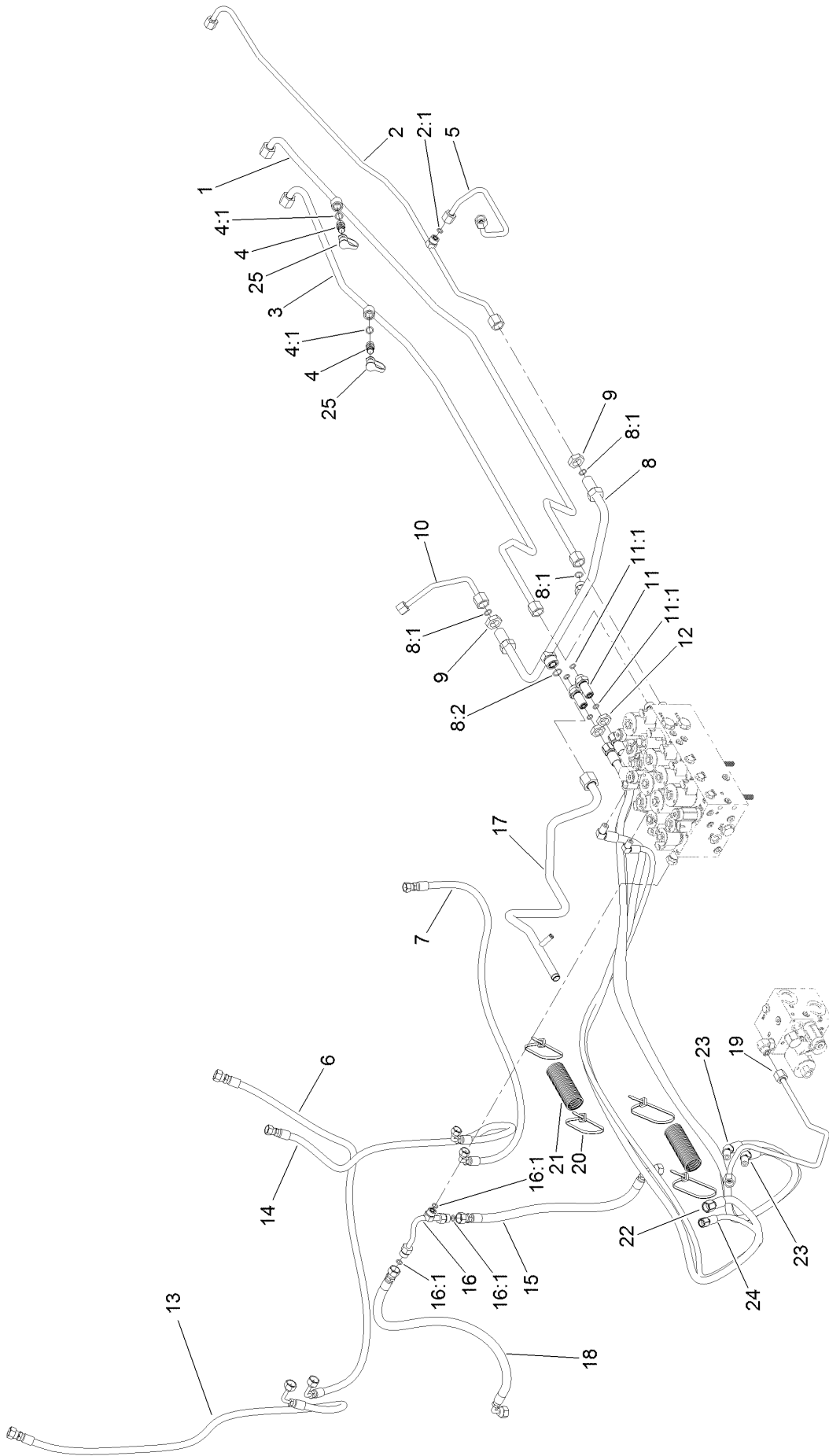
<i>Ref.</i>	<i>Part Number</i>	<i>Qty.</i>	<i>Description</i>
1	130-8358	1	Seal Kit



Hydraulic Reservoir Assembly

<i>Ref.</i>	<i>Part Number</i>	<i>Qty.</i>	<i>Description</i>	<i>Ref.</i>	<i>Part Number</i>	<i>Qty.</i>	<i>Description</i>
1	120-9077	1	Reservoir-HYD	17	121-1533	1	Spacer-Thick
2	323-20	1	Screw-HH	18	110-3510	1	Nut-Retainer
3	108-1605	2	Bumper-Recess	19	121-1557-03	1	Mount-Tank
4	121-1456	1	Spacer-Thin	20	104-8300	1	Nut-HF, NI
5	104-8301	1	Nut-HF, NI	21	3256-82	2	Washer-Flat
6	115-9793	1	Breather	22	322-13	1	Screw-HH
7	104-0790	3	Bushing	23	353-508	1	Plug-HH
8	114-0002	3	Pipe-Stand	23:1	237-42	1	O-Ring
9	2412-129	1	Clamp-Hose	24	2412-34	1	Clamp-Hose
10	93-7498	1	Plug-Plastic	25	120-8810	1	Hose-Strainer
11	237-101	1	O-Ring	26	115-5436	4	Clamp-Hose, Crimp
12	112-6365	1	Dipstick	27	114-4920	1	Hose
14	104-7546	1	Tank Strainer ASM	28	121-1521	1	Hose
14:1	340-136	1	O-Ring	29	3256-24	1	Washer-Flat
15	322-7	1	Screw-HH				

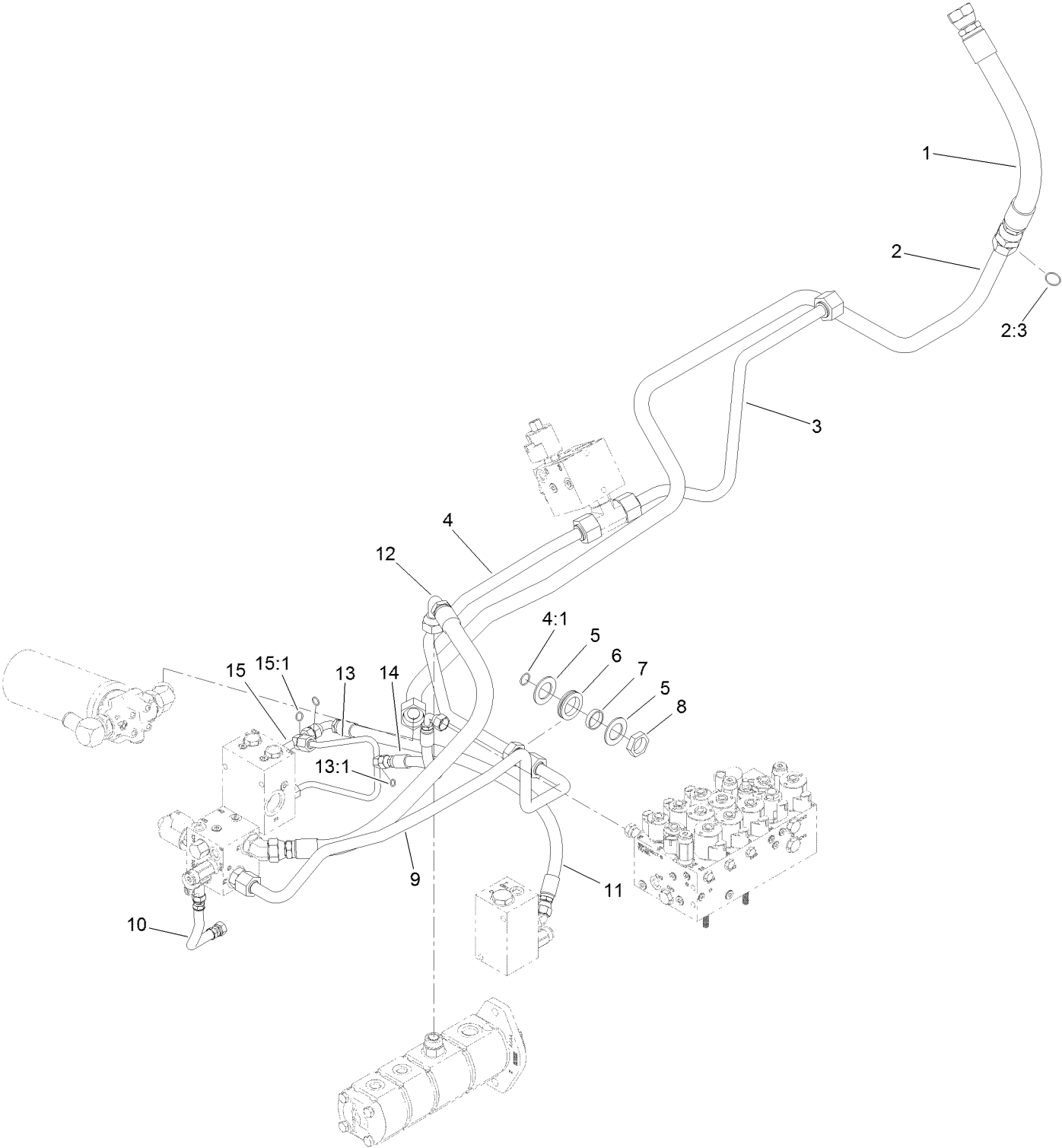
Lift, Steer and Fan Hydraulic Assembly



Lift, Steer and Fan Hydraulic Assembly (continued)

<i>Ref.</i>	<i>Part Number</i>	<i>Qty.</i>	<i>Description</i>	<i>Ref.</i>	<i>Part Number</i>	<i>Qty.</i>	<i>Description</i>
1	120-9074	1	Tube-Fan	12	340-70	2	Nut-Lock
2	120-8966	1	Tube-Drain, Fan	13	127-3736	1	Hose-HYD
2:1	237-22	1	O-Ring	14	100-3833	1	Hose-HYD
3	120-9075	1	Tube-Fan	15	121-1567	1	Hose-HYD
4	59-7410	2	Fitting-Diagnostic	16	121-1565	1	Tube-Tee
4:1	237-42	1	O-Ring	16:1	237-22	3	O-Ring
5	132-6145	1	Tube-HYD	17	121-1510	1	Tube-HYD
6	127-3737	1	Hose-HYD	18	121-1566	1	Hose-HYD
7	127-3738	1	Hose-HYD	19	132-6144	1	Tube-HYD
8	121-1509	1	Tube-HYD	20	3290-378	4	Tie-Cable
8:1	237-30	3	O-Ring	21	121-1544	2	Cover-Hose
8:2	237-65	1	O-Ring	22	121-1504	1	Hose-HYD
9	340-127	2	Nut-Bulkhead	23	121-1491	2	Hose-HYD
10	132-6146	1	Tube-HYD	24	121-1503	1	Hose-HYD
11	340-71	2	Fitting-Straight, Bulkhead	25	354-79	2	Cap-Dust
11:1	237-22	2	O-Ring				

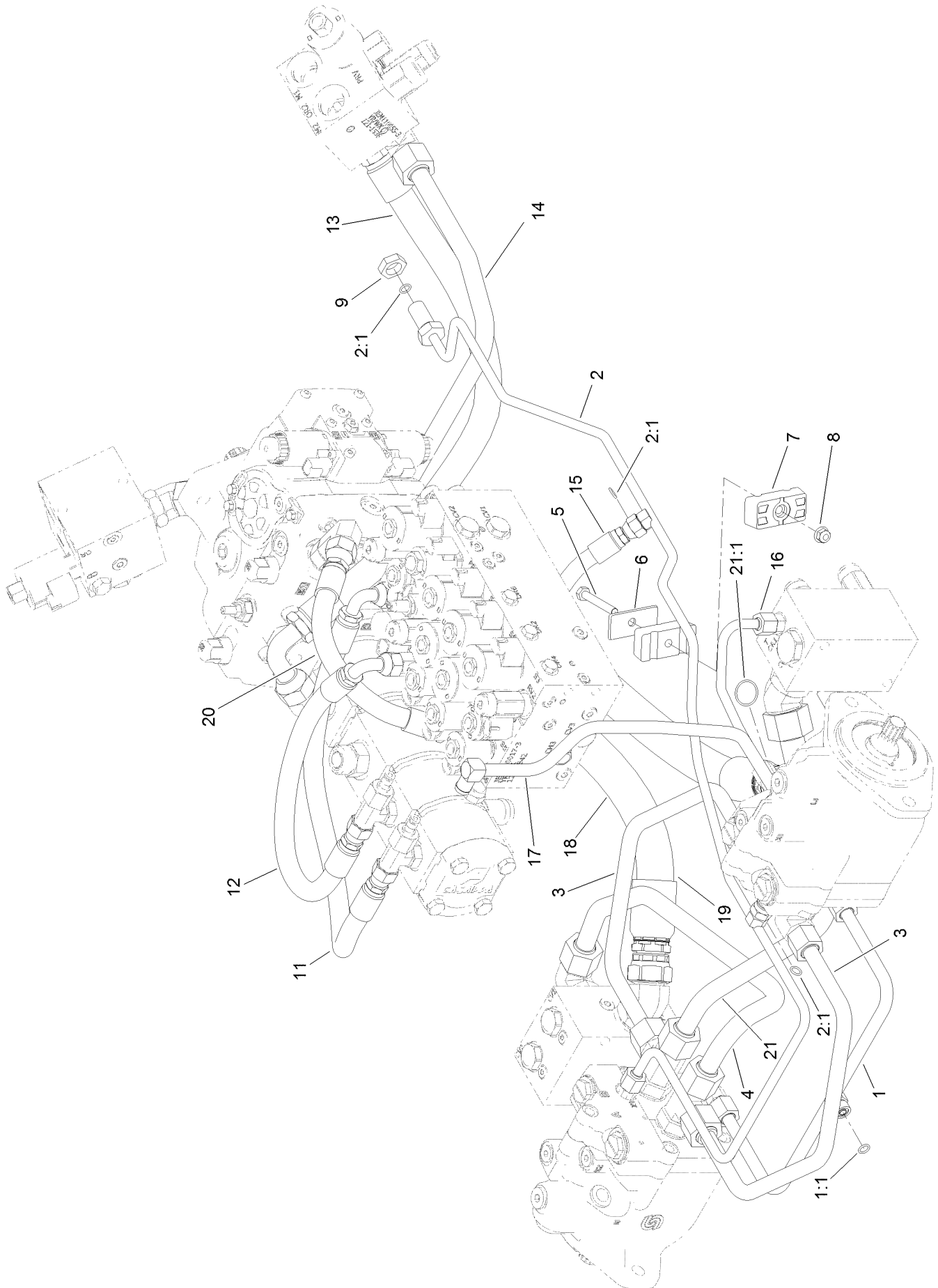
Oil Cooler Hydraulic Assembly



Oil Cooler Hydraulic Assembly (continued)

<i>Ref.</i>	<i>Part Number</i>	<i>Qty.</i>	<i>Description</i>	<i>Ref.</i>	<i>Part Number</i>	<i>Qty.</i>	<i>Description</i>
1	120-9060	1	Hose-HYD	9	120-8838	1	Tube-PTO, Front Return
2	121-1612	1	Tube ASM	10	121-1572	1	Hose-HYD
2:3	340-65	1	O-Ring	11	121-1559	1	Hose-HYD
3	121-1626	1	Tube-HYD	12	115-4384	1	Hose-HYD
4	121-1507	1	Tube ASM	13	121-1584	1	Tube-HYD
4:1	237-58	1	O-Ring	13:1	237-22	1	O-Ring
5	69-8910	2	Washer	14	121-1583	1	Hose-HYD
6	240-7	1	Grommet-Rubber	15	121-1558	1	Fitting-Tee
7	69-8900	1	Spacer	15:1	237-30	2	O-Ring
8	340-126	1	Nut-Bulkhead				

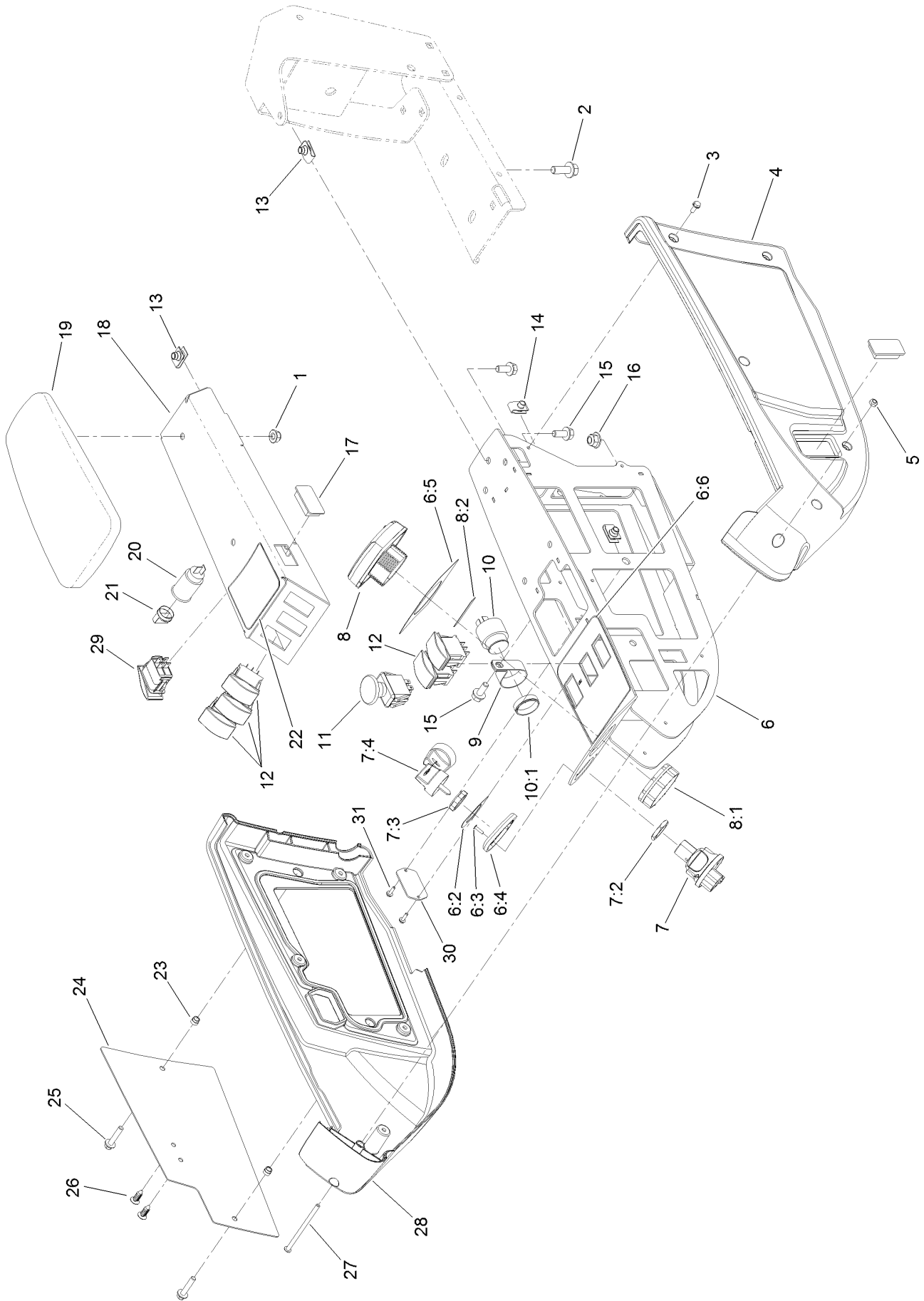
Traction Hydraulic Assembly



Traction Hydraulic Assembly (continued)

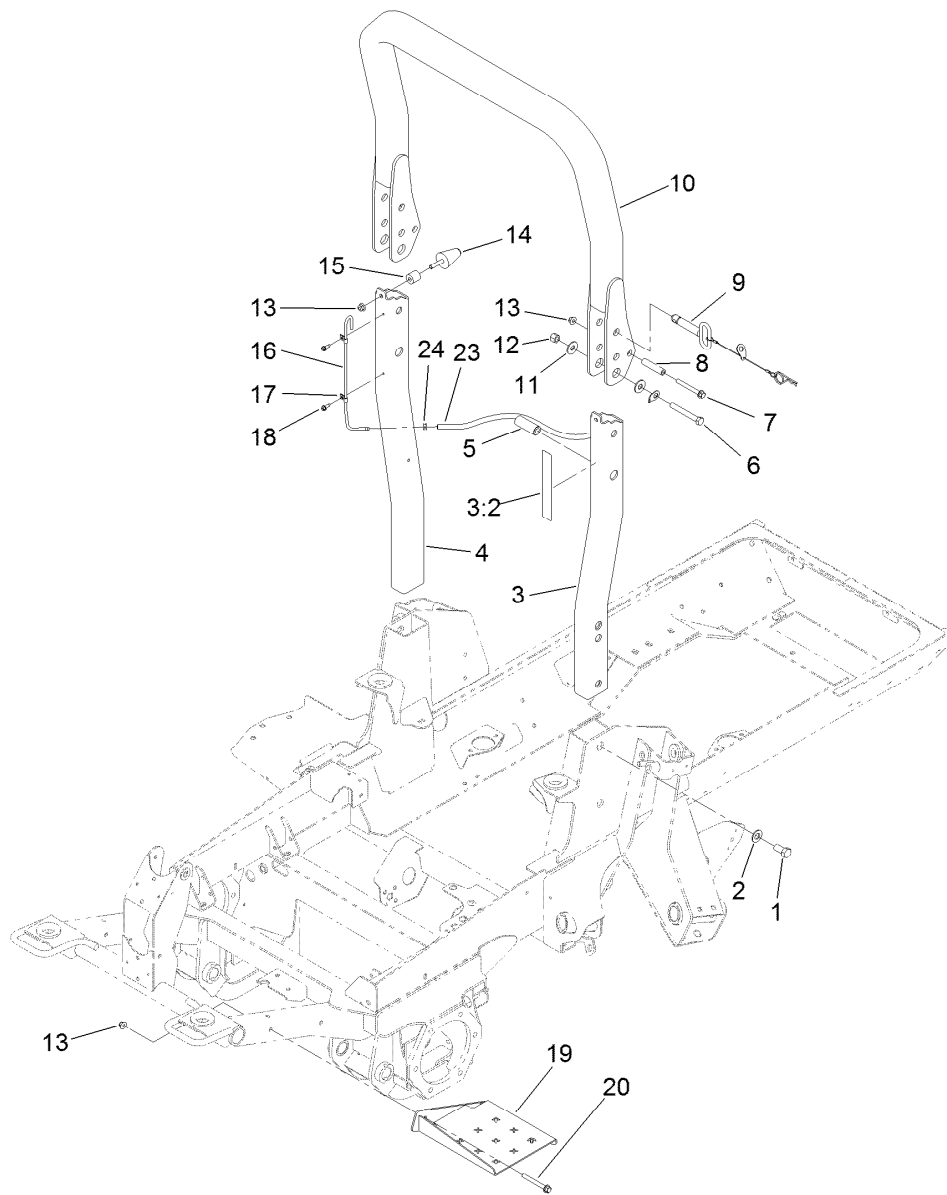
<i>Ref.</i>	<i>Part Number</i>	<i>Qty.</i>	<i>Description</i>	<i>Ref.</i>	<i>Part Number</i>	<i>Qty.</i>	<i>Description</i>
1	120-9080	1	Tube ASM	12	104-4584	1	Hose-HYD
1:1	237-22	1	O-Ring	13	115-4384	1	Hose-HYD
2	121-1552	1	Tube ASM	14	120-8834	1	Tube-PTO, LH To RH
2:1	237-22	3	O-Ring	15	104-2234	1	Hose-HYD
3	120-9079	2	Tube-HYD	16	121-1480	1	Tube-HYD
4	121-1546	1	Tube-HYD	17	120-8961	1	Tube-Return, Front
5	322-11	1	Screw-HH	18	121-1564	1	Hose-HYD
6	69-9761	1	Plate-Cover	19	121-1563	1	Hose-HYD
7	120-3200	2	Clamp-Tube	20	121-1505	1	Hose-HYD
8	104-8300	1	Nut-HF, NI	21	121-1581	1	Tube-Tee
9	340-70	1	Nut-Lock	21:1	340-65	1	O-Ring
11	104-2807	1	Hose-HYD				

Armrest Control Panel Assembly



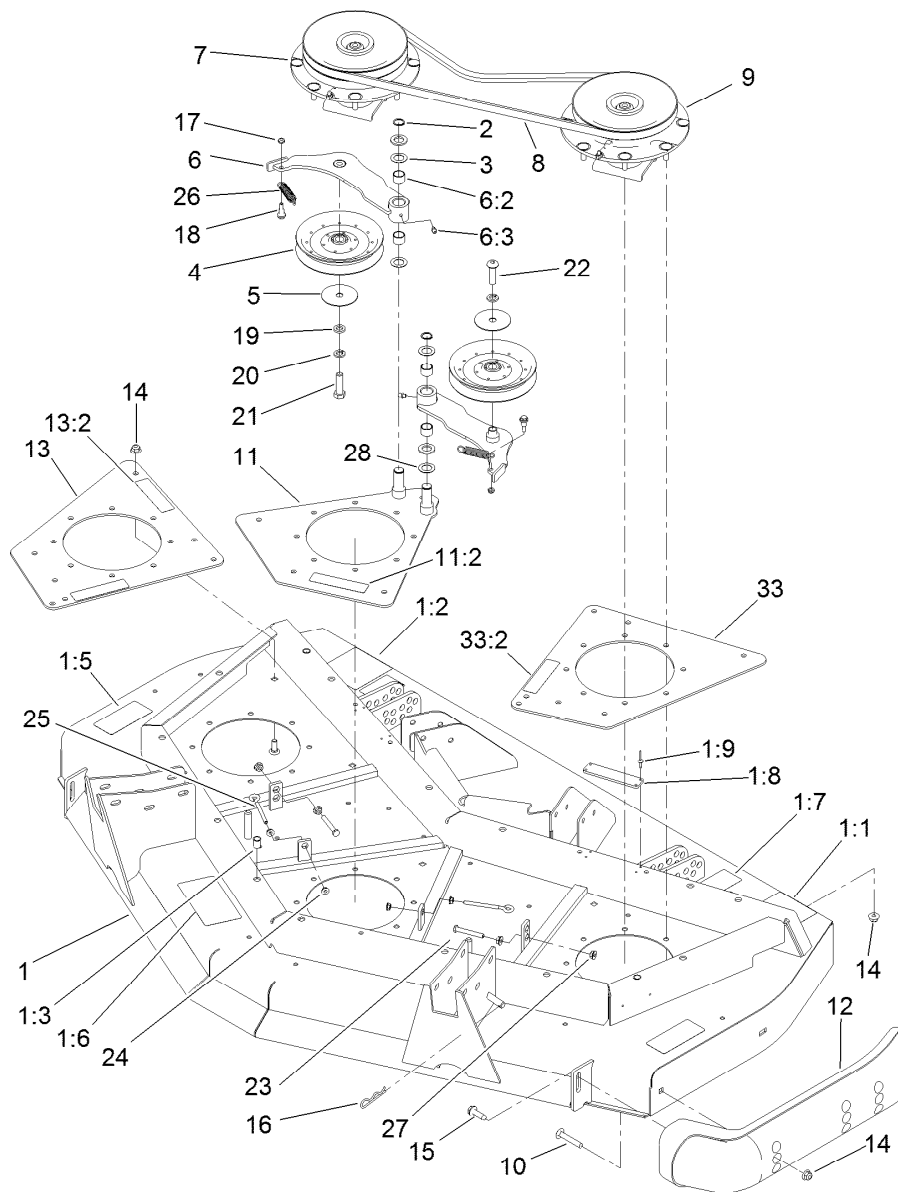
Armrest Control Panel Assembly (continued)

<i>Ref.</i>	<i>Part Number</i>	<i>Qty.</i>	<i>Description</i>	<i>Ref.</i>	<i>Part Number</i>	<i>Qty.</i>	<i>Description</i>
1	104-8300	2	Nut-HF, NI	12	100-1535	5	Switch-Rocker, (On)-Off-(On)
2	3234-42	2	Screw-HHF	13	94-2413	6	Nut-U
3	32144-112	10	Screw-HWH	14	107069	2	Clip
4	108-7604	1	Cover-LH	15	3234-5	6	Screw-HHF
5	3296-12	1	Nut-Lock, NI	16	104-8301	2	Nut-HF, NI
6	120-4155	1	Panel ASM	17	99-7420	2	Plug-Hole
6:2	121-3884	1	Decal-Console, Upper	18	125-4646-03	1	Panel-Control
6:3	3269-17	2	Rivet-Pop	19	108-7602	1	Rest-Arm
6:4	121-3889	1	Step-Elevated, Switch	20	99-7411	1	Point-Power
6:5	121-3887	1	Decal-Console, Display	21	99-7416	1	Cap
6:6	120-4159	1	Decal-Console, Lower	22	127-3700	1	Decal-Lift
7	121-5159	1	Ignition Switch ASM	23	110-0542	2	Spacer-Flange
7:2	121-5160	1	Nut-Hex	24	115-8849-03	1	Plate-Cover
7:3	121-5161	1	Nut-Face	25	3234-21	2	Screw-HHF
7:4	121-5162	1	Set-Key, Ignition	26	114-4899	2	Rivet-Push
8	120-6310	1	LCD Display ASM	27	3250-22	1	Screw-PPH
8:1	120-4630	1	Nut-Display	28	108-7605	1	Cover-RH
8:2	120-6311	1	Decal-Display	29	114-3329	1	Switch-Rocker
9	2412-74	1	R-Clamp	30	121-1630	1	Plate-Cover
10	80-9330	1	Audio Alarm ASM	31	32144-18	2	Screw-HWH
10:1	104-5107	1	Nut-Plastic, Knurled				
11	93-9999	1	Switch-PTO				



ROPS and Step Assembly

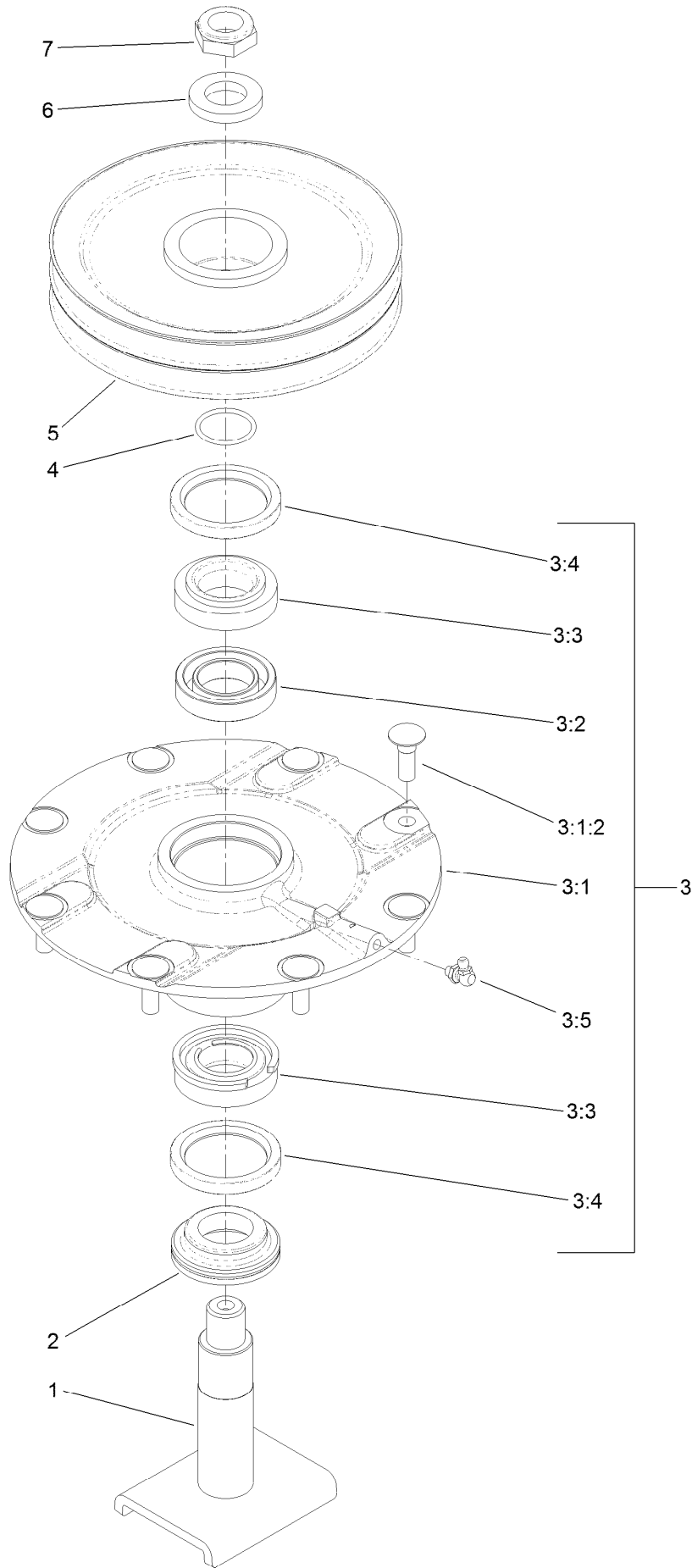
<i>Ref.</i>	<i>Part Number</i>	<i>Qty.</i>	<i>Description</i>	<i>Ref.</i>	<i>Part Number</i>	<i>Qty.</i>	<i>Description</i>
1	121-1658	4	Screw-HH	12	3296-23	2	Nut-Lock, NI
2	3256-27	4	Washer-Flat	13	104-8301	6	Nut-HF, NI
3	121-1744	1	Left ROPS ASM	14	121-1604	2	Bumper-Rubber
3:2	120-8947	1	Decal-Danger, ROPS	15	61-2220	2	Spacer
4	121-1632-03	1	ROPS-Lower, RH	16	121-1638	1	Tube-Vent
5	121-1660	2	Spacer	17	2412-72	2	Clip-Closed, Insulated
6	325-35	2	Screw-HH	18	32104-95	2	Screw-HWH
7	3234-41	2	Screw-HHF	19	120-9020-03	1	Step
8	106-0877	2	Spacer-Shield	20	3234-41	2	Screw-HHF
9	121-1629	2	ROPS Fold Pin ASM	23	110-5701	1	Hose-Fuel
10	121-1642	1	ROPS-Upper	24	2412-98	1	Clamp-Hose
11	3256-6	4	Washer-Flat				



Front Deck Idler and Skid Assembly

Ref.	Part Number	Qty.	Description	Ref.	Part Number	Qty.	Description
1	131-1234	1	Front Deck ASM	11:2	100-6578	1	Decal-Danger
1:1	120-6604	2	Decal-Danger	12	112-1479	2	Skid-Bumper, Deck
1:2	100-5624	1	Decal-HOC, RH	13	131-1238	1	Plate-Spindle, Front Right
1:3	32148-9	3	Nut-Clinch	13:2	100-6578	2	Decal-Danger
1:5	93-7818	2	Decal-Torque, Blade Bolt	14	104-8301	24	Nut-HF, NI
1:6	100-5622	1	Decal-HOC	15	9136144	2	Screw-HWHTF
1:7	104-3578	1	Decal-HOC, LH	16	3290-355	1	Pin-Hair
1:8	105-0786	2	Pad-Plastic	17	3296-56	2	Nut-Lock, NI
1:9	3269-8	8	Rivet-Blind	18	104-0858	2	Bolt-Shoulder
2	32120-72	2	Ring-Snap	19	9202424	1	Spacer
3	3-6498	4	Washer-Thrust	20	3253-7	2	Washer-Lock
4	110-9596	2	Pulley-Idler	21	325-7	1	Screw-HH
5	100-3102	2	Washer-Flat	22	108-1993	1	Screw-HSBH
6	110-6128	2	Idler Arm ASM	23	9114524	2	Bolt-TAP, HH
6:2	256-76	2	Bushing	24	32128-14	4	Nut-HF
6:3	302-5	1	Fitting-Grease	25	68-0090	4	Screw-Adjusting
7	119-4548	1	Double Driven Spindle ASM	26	107938	2	Spring-Extension
8	108-8076	2	V-Belt, Deck	27	32128-26	4	Nut-Flange
9	119-4549	1	High-Driven Spindle ASM	28	70-1160	2	Washer
10	3231-33	4	Screw-CARR	33	131-1239	1	Plate-Spindle, Front Left
11	131-1237	1	Plate-Spindle, Front Center	33:2	100-6578	1	Decal-Danger

Double Driven Spindle Assembly No. 119-4548

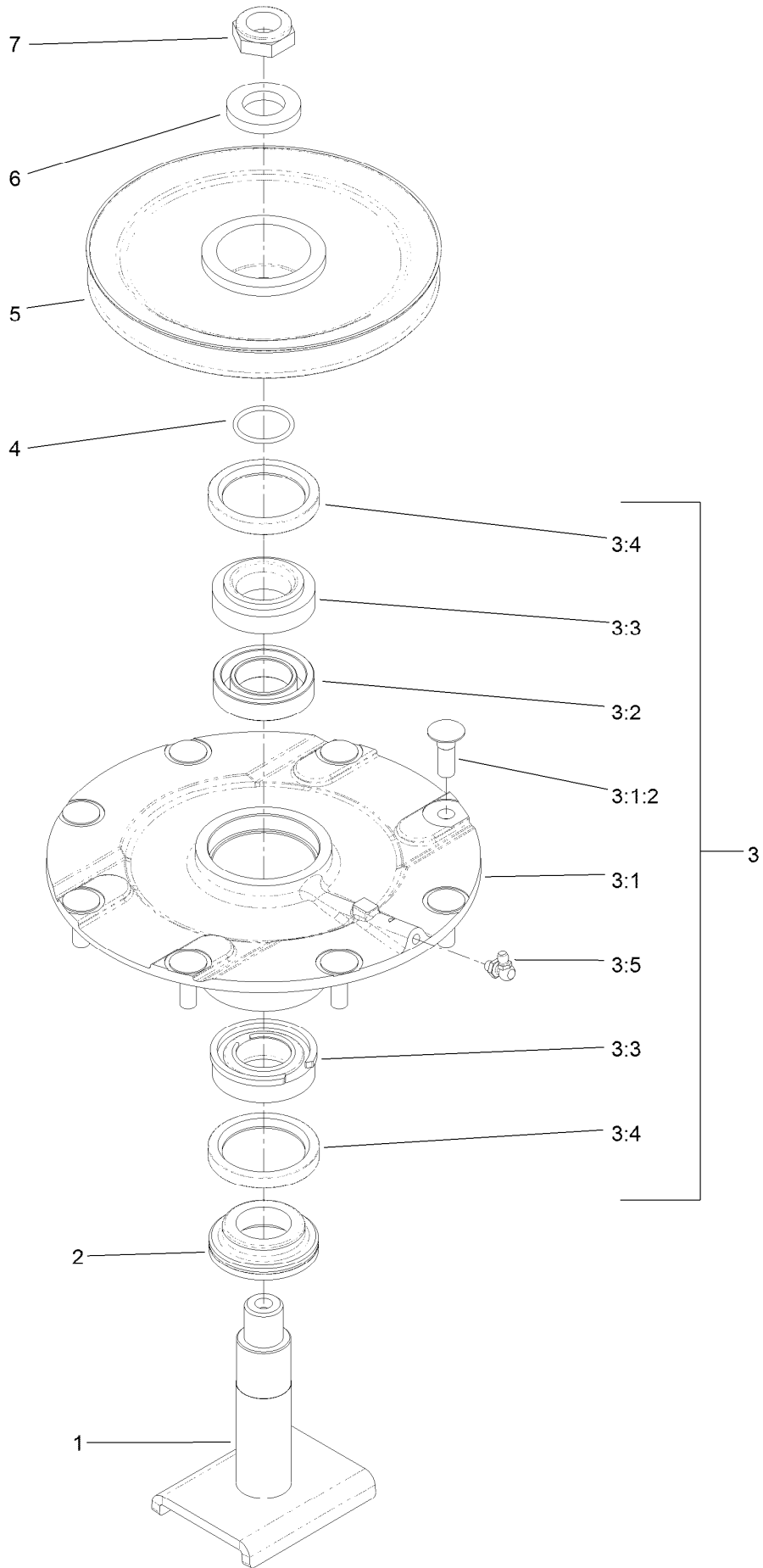


Double Driven Spindle Assembly No. 119-4548 (continued)

<i>Ref.</i>	<i>Part Number</i>	<i>Qty.</i>	<i>Description</i>	<i>Ref.</i>	<i>Part Number</i>	<i>Qty.</i>	<i>Description</i>
1	104-3554	1	Shaft-Spindle	3:4	253-154	2	Seal-Oil
2	69-6950	1	Spacer-Shaft, Spindle	3:5	302-60	1	Fitting-Grease
3	119-4775	1	Spindle Housing ASM	4	106-7159	1	O-Ring
3:1		1	Spindle ASM ●	5	104-3547	1	Pulley-Driven, Double
3:1:2	114-8195	8	Bolt-Neck, Ribbed	6	120-5576	1	Washer-Hardened
3:2	120-5577	1	Bearing Spacer Set	7	3296-60	1	Nut-Lock, NI
3:3	110-8297	1	Bearing ASM				

● Not serviced separately

High Driven Spindle Assembly No. 119-4549

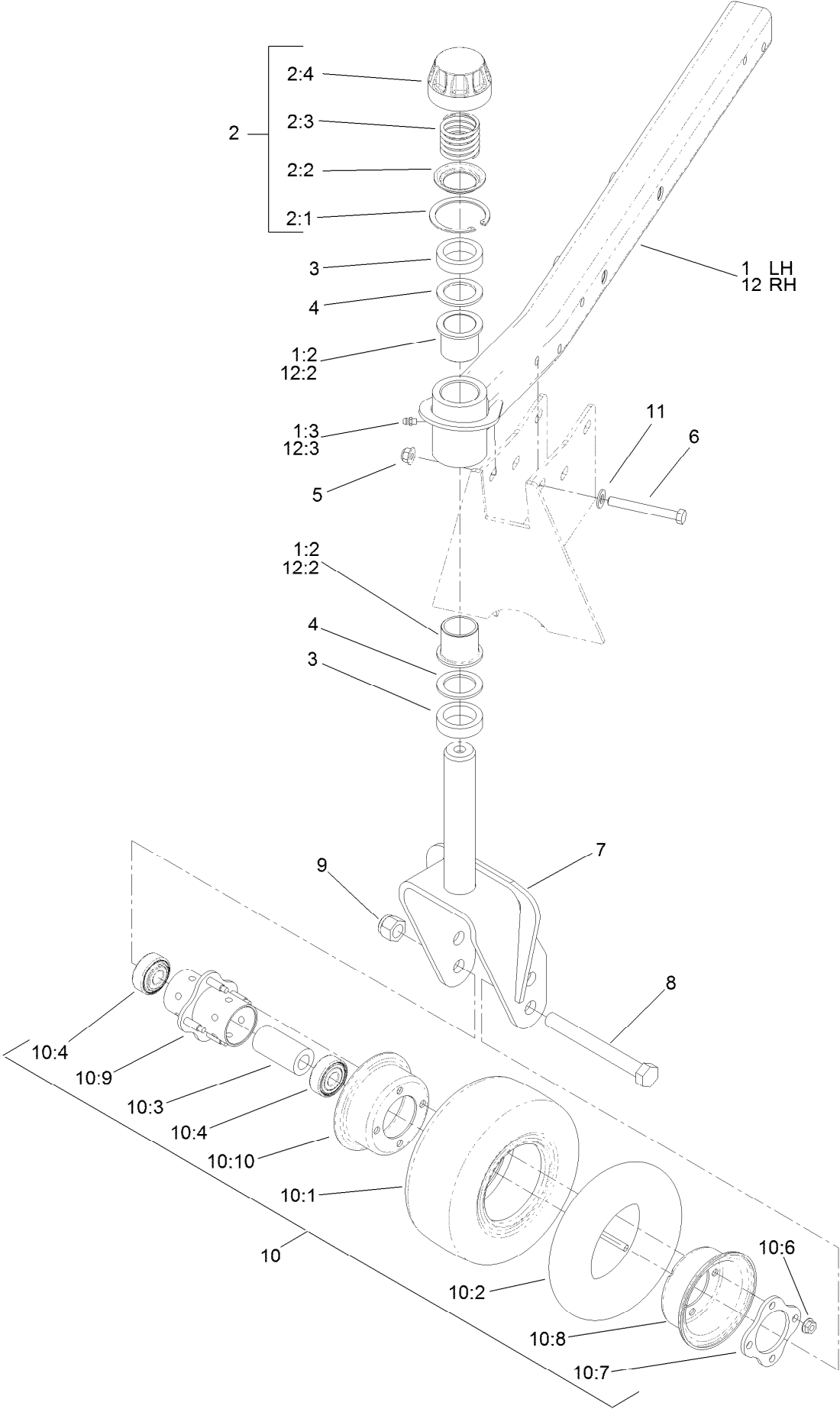


High Driven Spindle Assembly No. 119-4549 (continued)

<i>Ref.</i>	<i>Part Number</i>	<i>Qty.</i>	<i>Description</i>	<i>Ref.</i>	<i>Part Number</i>	<i>Qty.</i>	<i>Description</i>
1	104-3554	1	Shaft-Spindle	3:4	253-154	2	Seal-Oil
2	69-6950	1	Spacer-Shaft, Spindle	3:5	302-60	1	Fitting-Grease
3	119-4775	1	Spindle Housing ASM	4	106-7159	1	O-Ring
3:1		1	Spindle ASM ●	5	104-3548	1	Pulley-Driven, High
3:1:2	114-8195	8	Bolt-Neck, Ribbed	6	120-5576	1	Washer-Hardened
3:2	120-5577	1	Bearing Spacer Set	7	3296-60	1	Nut-Lock, NI
3:3	110-8297	1	Bearing ASM				

● Not serviced separately

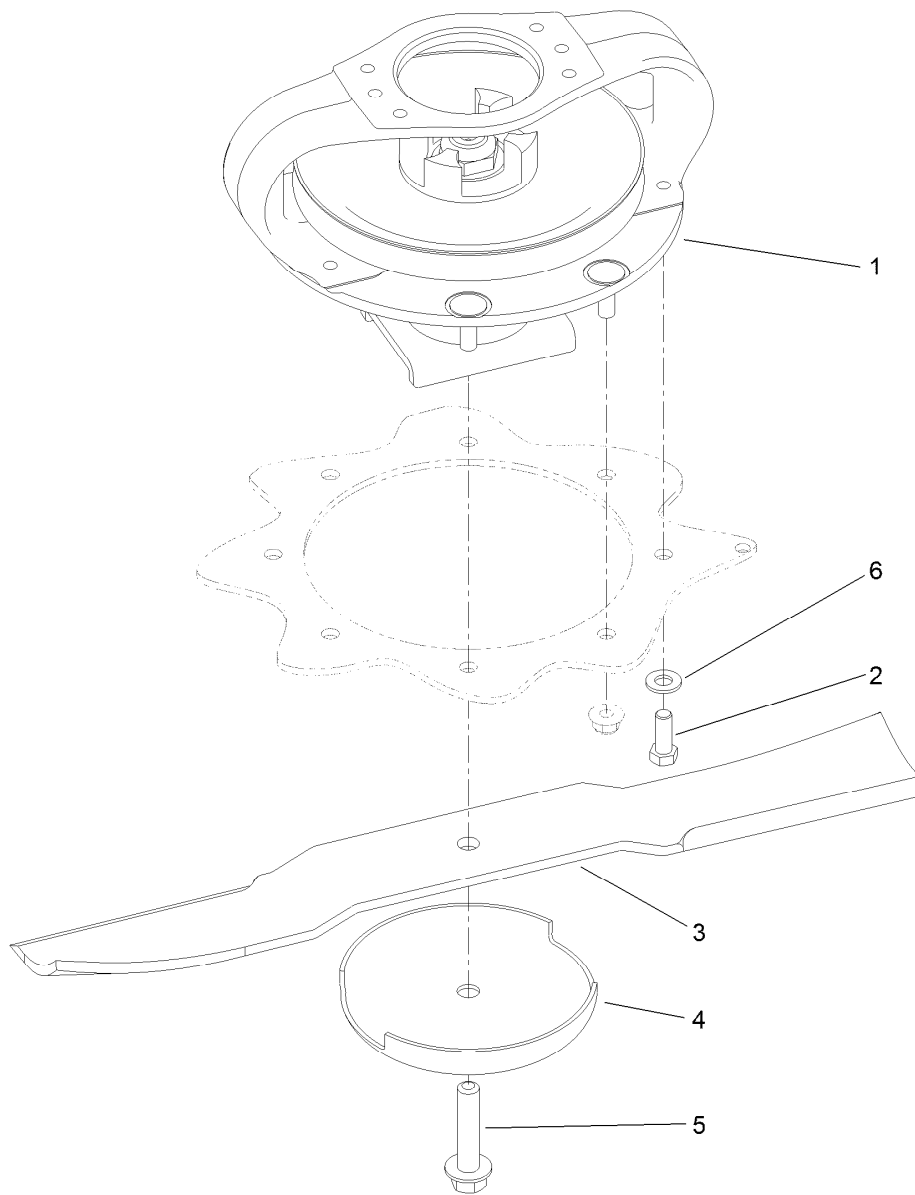
Front Deck Caster Arm and Wheel Assembly



Front Deck Caster Arm and Wheel Assembly (continued)

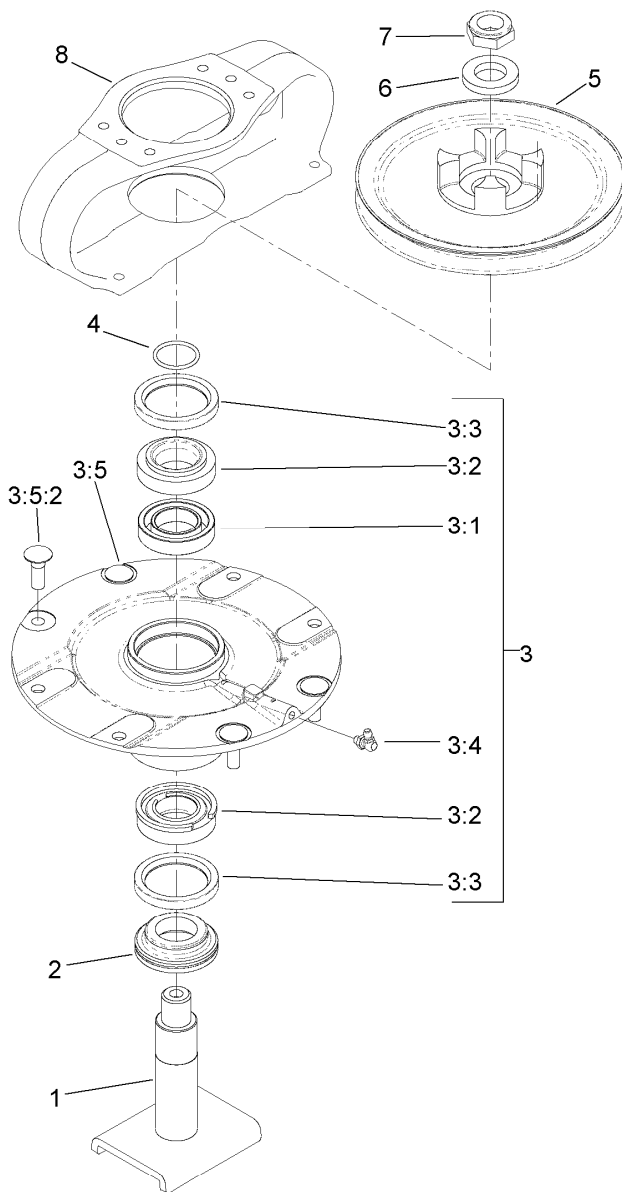
<i>Ref.</i>	<i>Part Number</i>	<i>Qty.</i>	<i>Description</i>	<i>Ref.</i>	<i>Part Number</i>	<i>Qty.</i>	<i>Description</i>
1	127-3730	1	LH Castor Arm ASM	10	93-9938	2	Wheel ASM
1:2	69-6470	2	Bushing-Caster	10:1	93-9939	1	Tire
1:3	302-5	1	Fitting-Grease	10:2	68-8950	1	Tube-Inner (W/Valve)
2	92-9727	2	HOC Cap ASM	10:3	93-4241	1	Spacer-Bearing, Inner
2:1	92-5581	1	Ring-Retaining	10:4	120-3366	2	Bearing
2:2	92-5583	1	Washer-Cap	10:6	32128-16	4	Nut-HHF
2:3	92-9726	1	Spring-Compression	10:7	93-4242	1	Plate
2:4	92-8861	1	Cap-HOC	10:8	93-4239	1	Rim-Wheel, Half
3	69-1510	10	Spacer	10:9	93-5980	1	Hub
4	69-6860	6	Washer-Thrust	10:10	95-2741	1	Rim-Wheel, Half
5	104-8301	10	Nut-HF, NI	11	3256-24	10	Washer-Flat
6	323-20	10	Screw-HH	12	127-3720	1	RH Castor Arm ASM
7	104-0762-01	2	Fork-Castor	12:2	69-6470	2	Bushing-Caster
8	327-24	2	Screw-HH	12:3	302-5	1	Fitting-Grease
9	3296-53	2	Nut-Lock, NI				
10	93-5974	2	8 Inch Foam Filled Wheel ASM ●				

● Optional Equipment



Front Deck Driving Spindle Assembly

<i>Ref.</i>	<i>Part Number</i>	<i>Qty.</i>	<i>Description</i>
1	119-4547	1	Driving Spindle ASM
2	323-6	4	Screw-HH
3	92-5608-03	3	Blade
4	72-9361	3	Cup-Scalp, Anti
5	92-5816	3	Bolt-Blade
6	3256-24	4	Washer-Flat

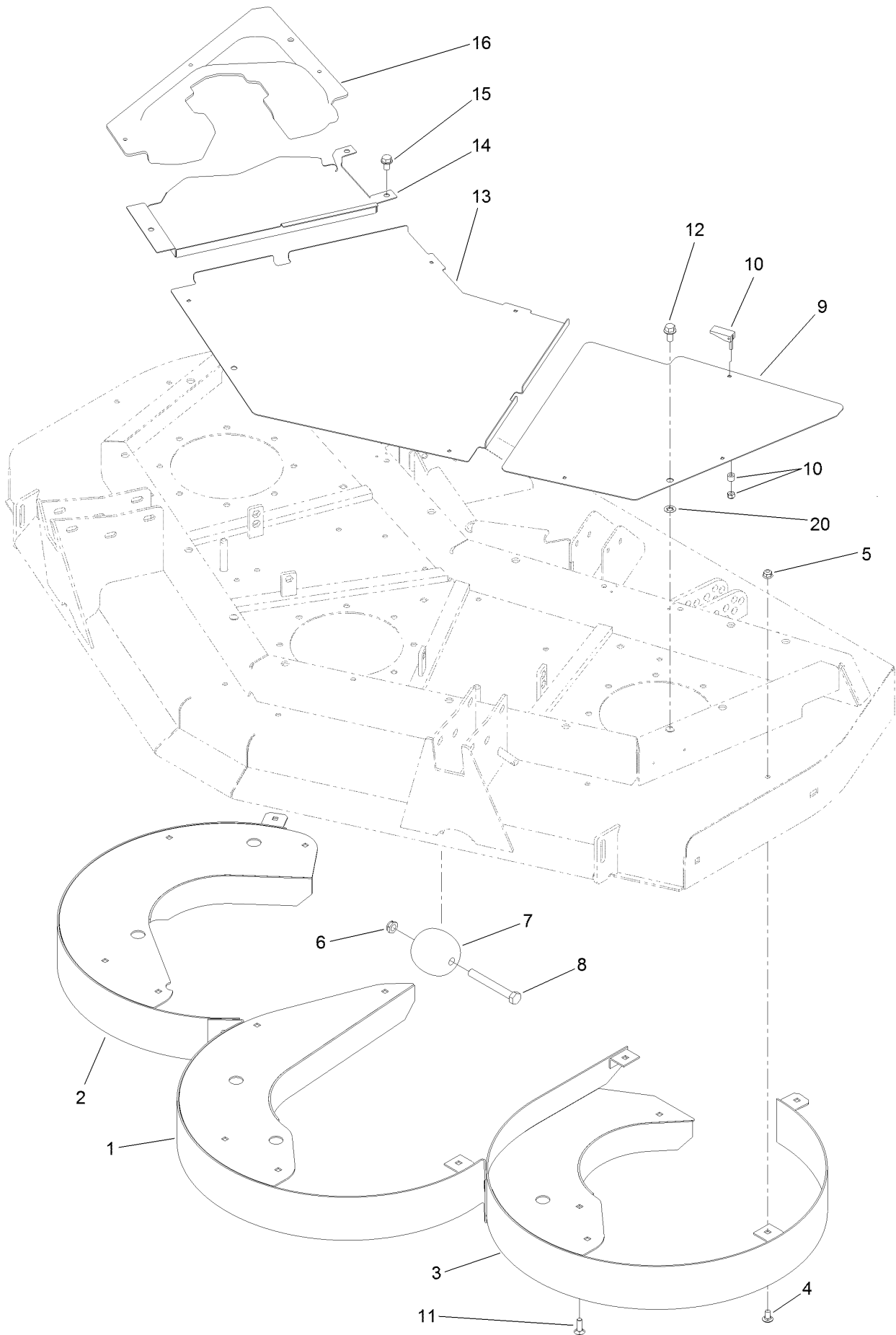


Driving Spindle Assembly No. 119-4547

Ref.	Part Number	Qty.	Description
1	104-3554	1	Shaft-Spindle
2	69-6950	1	Spacer-Shaft, Spindle
3	119-4546	1	Spindle Housing ASM
3:1	120-5577	1	Bearing Spacer Set
3:2	110-8297	1	Bearing ASM
3:3	253-154	2	Seal-Oil
3:4	302-60	1	Fitting-Grease
3:5		1	Spindle ASM ●
3:5:2	114-8195	4	Bolt-Neck, Ribbed
4	106-7159	1	O-Ring
5	104-3545	1	Pulley-Driving
6	120-5576	1	Washer-Hardened
7	3296-60	1	Nut-Lock, NI
8	104-3544	1	Mount-Motor, Drive

● Not serviced separately

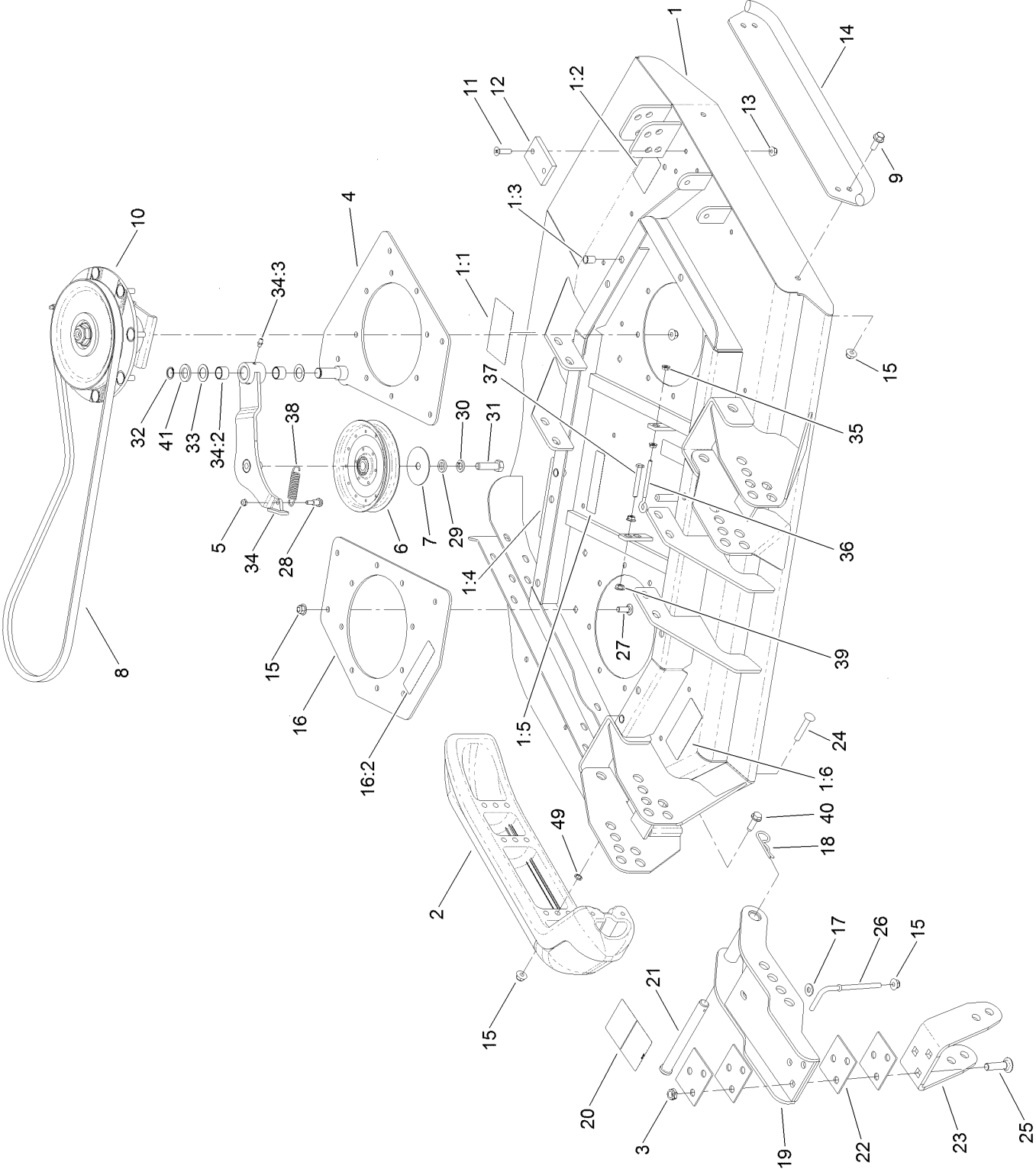
Cutting Chamber, Cover and Roller Assembly



Cutting Chamber, Cover and Roller Assembly (continued)

<i>Ref.</i>	<i>Part Number</i>	<i>Qty.</i>	<i>Description</i>	<i>Ref.</i>	<i>Part Number</i>	<i>Qty.</i>	<i>Description</i>
1	130-2650-01	1	Chamber-Center	10	74-5950	10	Latch-Swell
2	130-2674-01	1	Chamber-RH	11	3230-22	3	Screw-CARR
3	130-2675-01	1	Chamber-LH	12	3234-1	3	Screw-HHF
4	3230-18	15	Screw-CARR	13	100-5660-03	1	Cover-Front, Center
5	104-8300	18	Nut-HF, NI	14	100-5662-03	1	Cover-Front, RH
6	3296-45	2	Nut-Hex	15	32144-69	3	Screw-HWHTF
7	29-4820	2	Roller	16	100-5661	1	Cover-Front, Center
8	325-17	2	Screw-HH	20	107-3154	3	Nut-Push
9	100-5663-03	1	Cover-Front, LH				

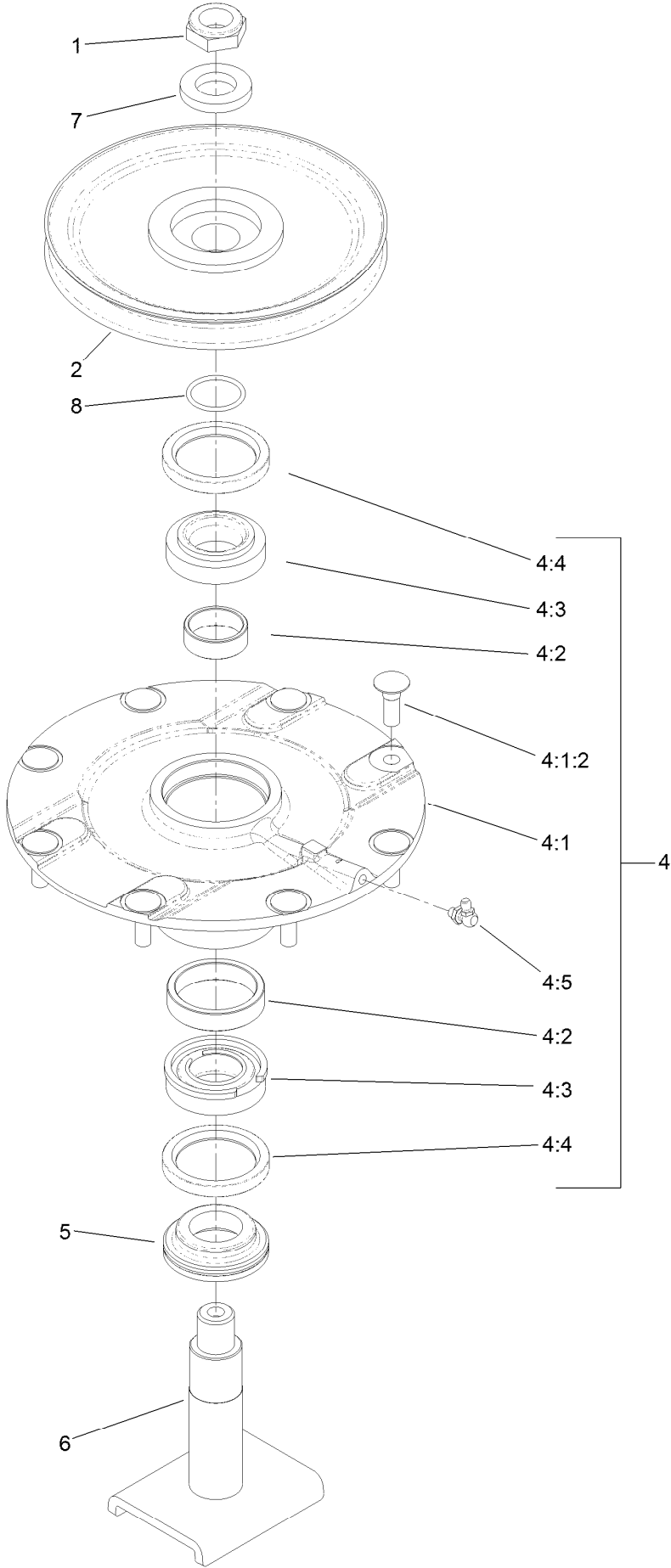
Right Deck, Idler and Skid Assembly



Right Deck, Idler and Skid Assembly (continued)

<i>Ref.</i>	<i>Part Number</i>	<i>Qty.</i>	<i>Description</i>	<i>Ref.</i>	<i>Part Number</i>	<i>Qty.</i>	<i>Description</i>
1	131-1235	1	Right Deck ASM	20	100-5623	1	Decal-HOC
1:1	120-6604	1	Decal-Danger	21	120-5587	4	Pin-Clevis
1:2	100-5694	1	Decal-Rear HOC, RH	22	104-7524	8	Shim
1:3	32148-9	3	Nut-Clinch	23	121-1720-01	2	Bracket-Fork
1:4	100-5622	1	Decal-HOC	24	3231-33	2	Screw-CARR
1:5	100-6578	2	Decal-Danger	25	3233-4	6	Screw-CARR
1:6	93-7818	1	Decal-Torque, Blade Bolt	26	106-2047	2	Rod-Tension
2	112-1479	1	Skid-Bumper, Deck	27	3231-22	8	Screw-CARR
3	3296-45	6	Nut-Hex	28	104-0858	1	Bolt-Shoulder
4	131-1231-01	1	Plate-Stiffener	29	9202424	1	Spacer
5	3296-56	1	Nut-Lock, NI	30	3253-7	1	Washer-Lock
6	110-9596	1	Pulley-Idler	31	325-7	1	Screw-HH
7	100-3102	1	Washer-Flat	32	32120-72	1	Ring-Snap
8	108-8076	1	V-Belt, Deck	33	3-6498	2	Washer-Thrust
9	3234-42	2	Screw-HHF	34	110-6128	1	Idler Arm ASM
10	119-4776	1	Low-Driven Spindle ASM	34:2	256-76	2	Bushing
11	32108-103	2	Screw-FH	34:3	302-5	1	Fitting-Grease
12	69-9290	1	Pad-Bumper	35	32128-14	2	Nut-HF
13	104-8300	2	Nut-HF, NI	36	68-0090	1	Screw-Adjusting
14	104-2250-01	1	Skid-Side	37	9114524	1	Bolt-TAP, HH
15	104-8301	26	Nut-HF, NI	38	107938	1	Spring-Extension
16	131-1243	1	Plate-Spindle	39	32128-26	2	Nut-Flange
16:2	100-6578	1	Decal-Danger	40	9136144	1	Screw-HWHTF
17	3256-3	2	Washer-Flat	41	70-1160	1	Washer
18	3290-343	4	Pin-Hair	49	32151-72	2	Ring-Retaining
19	104-7529-01	2	Bracket-Castor				

Low Driven Spindle Assembly No. 119-4776

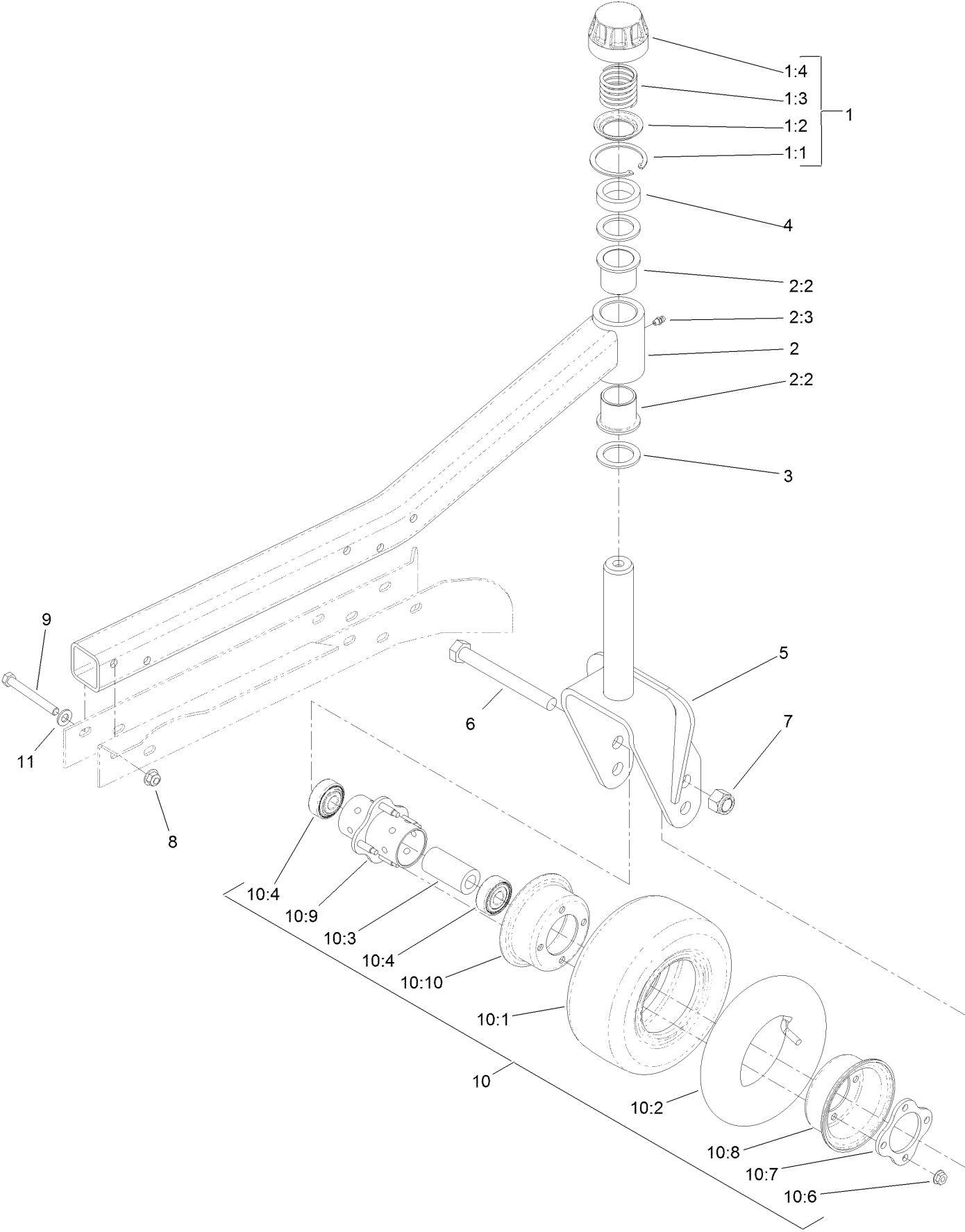


Low Driven Spindle Assembly No. 119-4776 (continued)

<i>Ref.</i>	<i>Part Number</i>	<i>Qty.</i>	<i>Description</i>	<i>Ref.</i>	<i>Part Number</i>	<i>Qty.</i>	<i>Description</i>
1	3296-60	1	Nut-Lock, NI	4:4	253-154	2	Seal-Oil
2	104-3546	1	Pulley-Driven, Low	4:5	302-60	1	Fitting-Grease
4	119-4775	1	Spindle Housing ASM	5	69-6950	1	Spacer-Shaft, Spindle
4:1		1	Spindle ASM ●	6	104-3554	1	Shaft-Spindle
4:1:2	114-8195	8	Bolt-Neck, Ribbed	7	120-5576	1	Washer-Hardened
4:2	120-5577	1	Bearing Spacer Set	8	106-7159	1	O-Ring
4:3	110-8297	1	Bearing ASM				

● Not serviced separately

Right Hand and Left Hand Castor Arm and Wheel Assembly

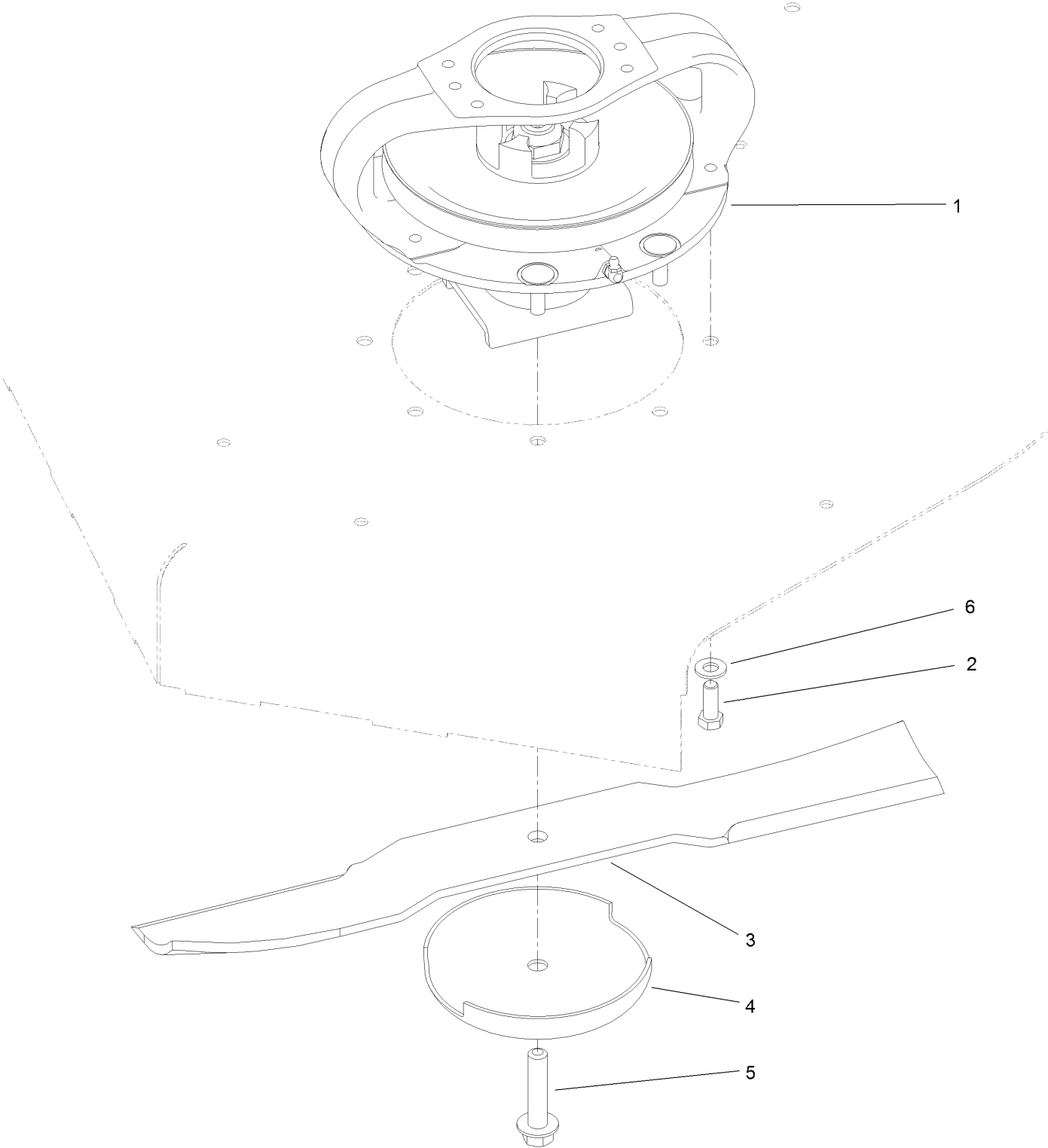


Right Hand and Left Hand Castor Arm and Wheel Assembly (continued)

<i>Ref.</i>	<i>Part Number</i>	<i>Qty.</i>	<i>Description</i>	<i>Ref.</i>	<i>Part Number</i>	<i>Qty.</i>	<i>Description</i>
1	92-9727	1	HOC Cap ASM	9	323-20	5	Screw-HH
1:1	92-5581	1	Ring-Retaining	10	93-5974	3	8 Inch Foam Filled Wheel ASM ●
1:2	92-5583	1	Washer-Cap				
1:3	92-9726	1	Spring-Compression	10	93-9938	3	Wheel ASM
1:4	92-8861	1	Cap-HOC	10:1	93-9939	1	Tire
2	127-3740	1	Castor Arm ASM	10:2	68-8950	1	Tube-Inner (W/Valve)
2:2	69-6470	2	Bushing-Caster	10:3	93-4241	1	Spacer-Bearing, Inner
2:3	302-5	1	Fitting-Grease	10:4	120-3366	2	Bearing
3	69-6860	3	Washer-Thrust	10:6	32128-16	4	Nut-HHF
4	69-1510	5	Spacer	10:7	93-4242	1	Plate
5	104-0762-01	1	Fork-Castor	10:8	93-4239	1	Rim-Wheel, Half
6	327-24	3	Screw-HH	10:9	93-5980	1	Hub
7	3296-53	3	Nut-Lock, NI	10:10	95-2741	1	Rim-Wheel, Half
8	104-8301	5	Nut-HF, NI	11	3256-24	5	Washer-Flat

● Optional Equipment

LH and RH Deck Driving Spindle Assembly

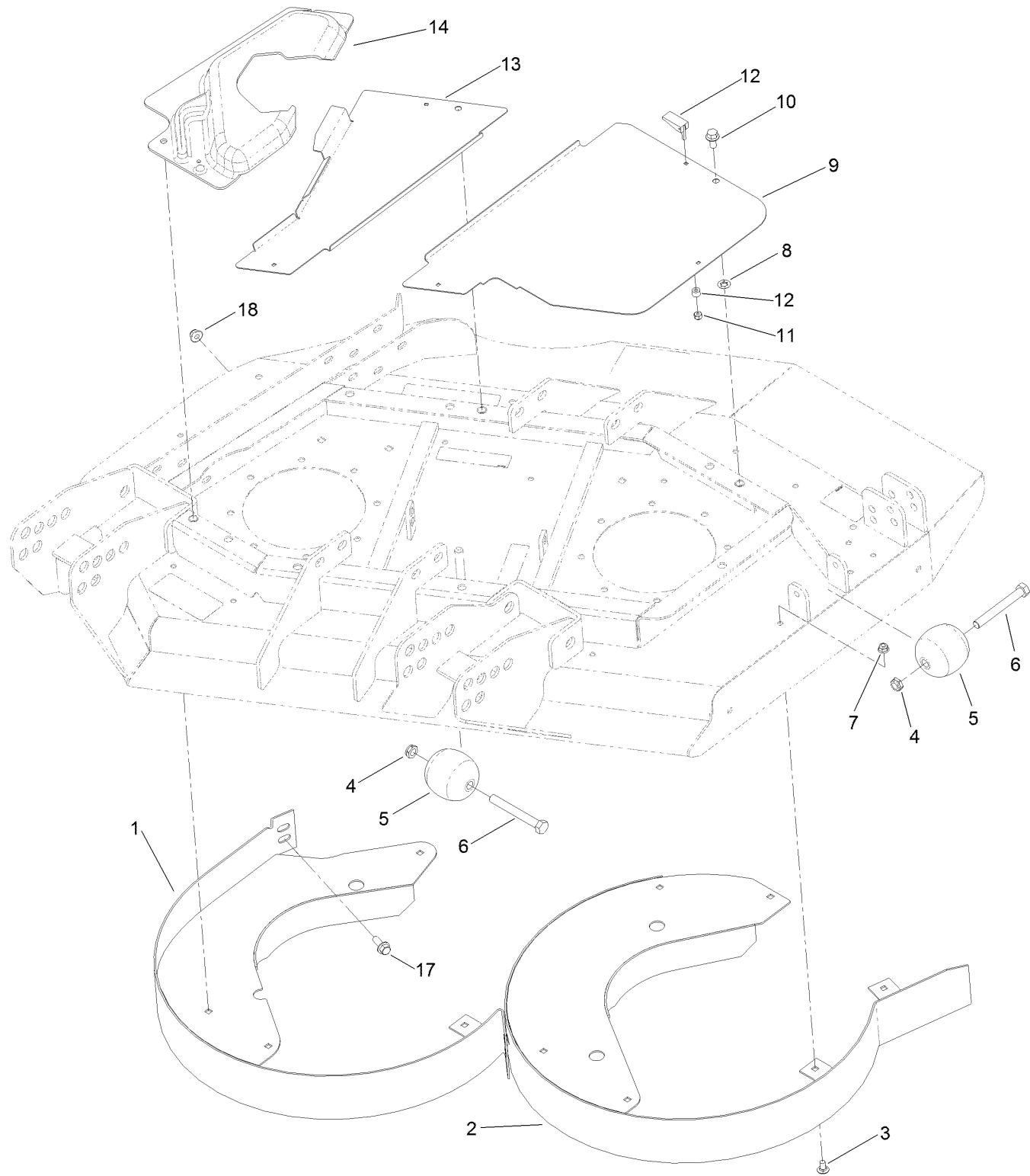


LH and RH Deck Driving Spindle Assembly (continued)

<i>Ref.</i>	<i>Part Number</i>	<i>Qty.</i>	<i>Description</i>
1	119-4547	1	Driving Spindle ASM
2	323-6	4	Screw-HH
3	92-5608-03	2	Blade

<i>Ref.</i>	<i>Part Number</i>	<i>Qty.</i>	<i>Description</i>
4	72-9361	2	Cup-Scalp, Anti
5	92-5816	2	Bolt-Blade
6	3256-24	4	Washer-Flat

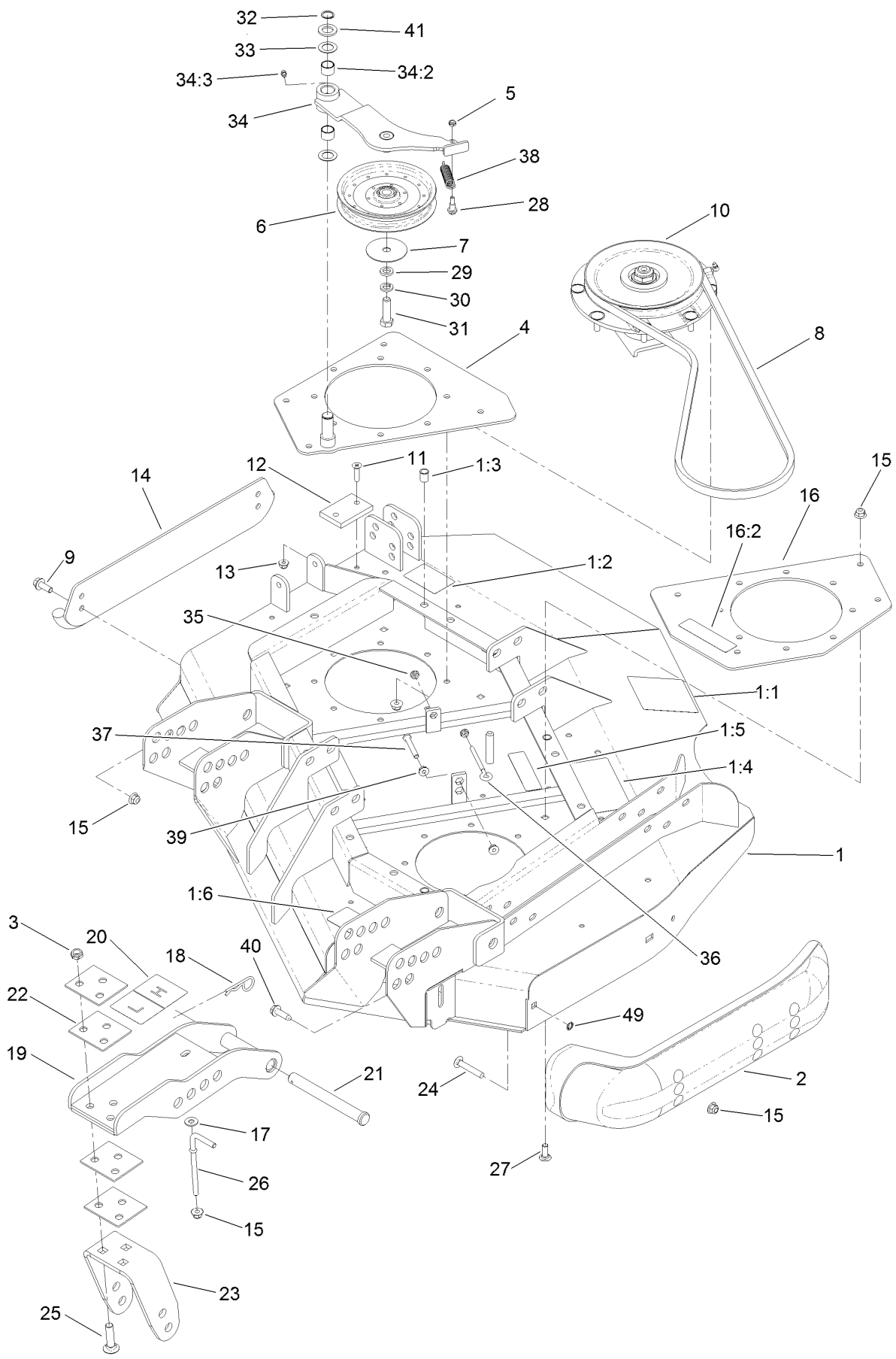
Right Deck Discharge Chamber and Cover Assembly



Right Deck Discharge Chamber and Cover Assembly (continued)

<i>Ref.</i>	<i>Part Number</i>	<i>Qty.</i>	<i>Description</i>	<i>Ref.</i>	<i>Part Number</i>	<i>Qty.</i>	<i>Description</i>
1	130-2680-01	1	Chamber-Outer	9	100-5668-03	1	Plate-Cover, RH Side
2	130-2681-01	1	Chamber-Inner	10	3234-1	3	Screw-HHF
3	3230-18	11	Screw-CARR	11	1-804254	7	Nut-Lock, HH
4	3296-45	2	Nut-Hex	12	74-5950	7	Latch-Swell
5	29-4820	2	Roller	13	100-5665-03	1	Plate-Cover, RH
6	325-17	2	Screw-HH	14	100-5666	1	Cover-Motor, RH Deck
7	104-8300	11	Nut-HF, NI	17	3234-42	1	Screw-HHF
8	107-3154	3	Nut-Push	18	104-8301	1	Nut-HF, NI

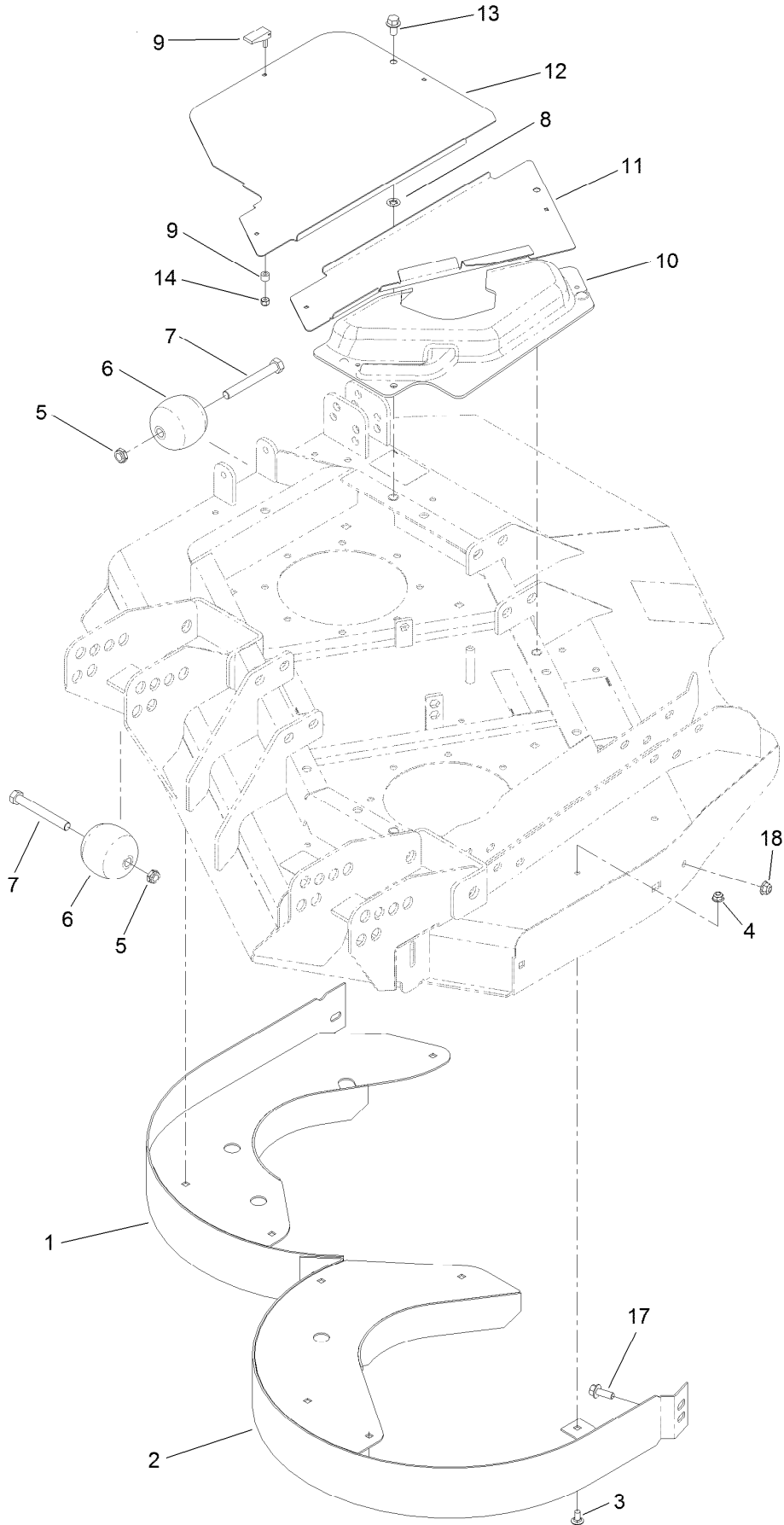
Left Deck, Idler and Skid Assembly



Left Deck, Idler and Skid Assembly (continued)

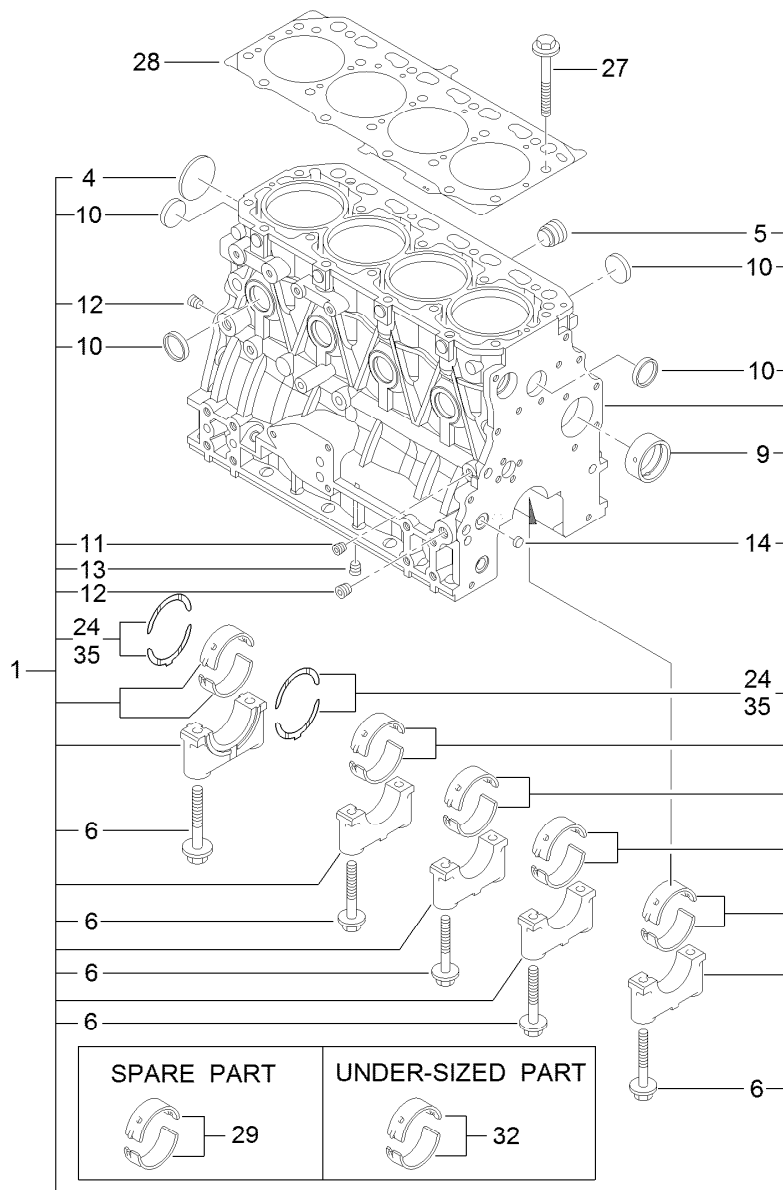
<i>Ref.</i>	<i>Part Number</i>	<i>Qty.</i>	<i>Description</i>	<i>Ref.</i>	<i>Part Number</i>	<i>Qty.</i>	<i>Description</i>
1	131-1236	1	Left Deck ASM	20	104-3579	1	Decal-HOC
1:1	120-6604	1	Decal-Danger	21	120-5587	4	Pin-Clevis
1:2	100-5693	1	Decal-Rear HOC, LH	22	104-7524	8	Shim
1:3	32148-9	3	Nut-Clinch	23	121-1720-01	2	Bracket-Fork
1:4	100-5622	1	Decal-HOC	24	3231-33	2	Screw-CARR
1:5	100-6578	2	Decal-Danger	25	3233-4	6	Screw-CARR
1:6	93-7818	1	Decal-Torque, Blade Bolt	26	106-2047	2	Rod-Tension
2	112-1479	1	Skid-Bumper, Deck	27	3231-22	8	Screw-CARR
3	3296-45	6	Nut-Hex	28	104-0858	1	Bolt-Shoulder
4	131-1233-01	1	Plate-Stiffener	29	9202424	1	Spacer
5	3296-56	1	Nut-Lock, NI	30	3253-7	1	Washer-Lock
6	110-9596	1	Pulley-Idler	31	325-7	1	Screw-HH
7	100-3102	1	Washer-Flat	32	32120-72	1	Ring-Snap
8	108-8076	1	V-Belt, Deck	33	3-6498	2	Washer-Thrust
9	3234-42	2	Screw-HHF	34	110-6128	1	Idler Arm ASM
10	119-4776	1	Low-Driven Spindle ASM	34:2	256-76	2	Bushing
11	32108-103	2	Screw-FH	34:3	302-5	1	Fitting-Grease
12	69-9290	1	Pad-Bumper	35	32128-14	2	Nut-HF
13	104-8300	2	Nut-HF, NI	36	68-0090	1	Screw-Adjusting
14	104-2250-01	1	Skid-Side	37	9114524	1	Bolt-TAP, HH
15	104-8301	26	Nut-HF, NI	38	107938	1	Spring-Extension
16	131-1244	1	Plate-Spindle	39	32128-26	2	Nut-Flange
16:2	100-6578	1	Decal-Danger	40	9136144	1	Screw-HWHTF
17	3256-3	2	Washer-Flat	41	70-1160	1	Washer
18	3290-343	4	Pin-Hair	49	32151-72	2	Ring-Retaining
19	104-7529-01	2	Bracket-Castor				

Left Deck Discharge Chamber and Cover Assembly



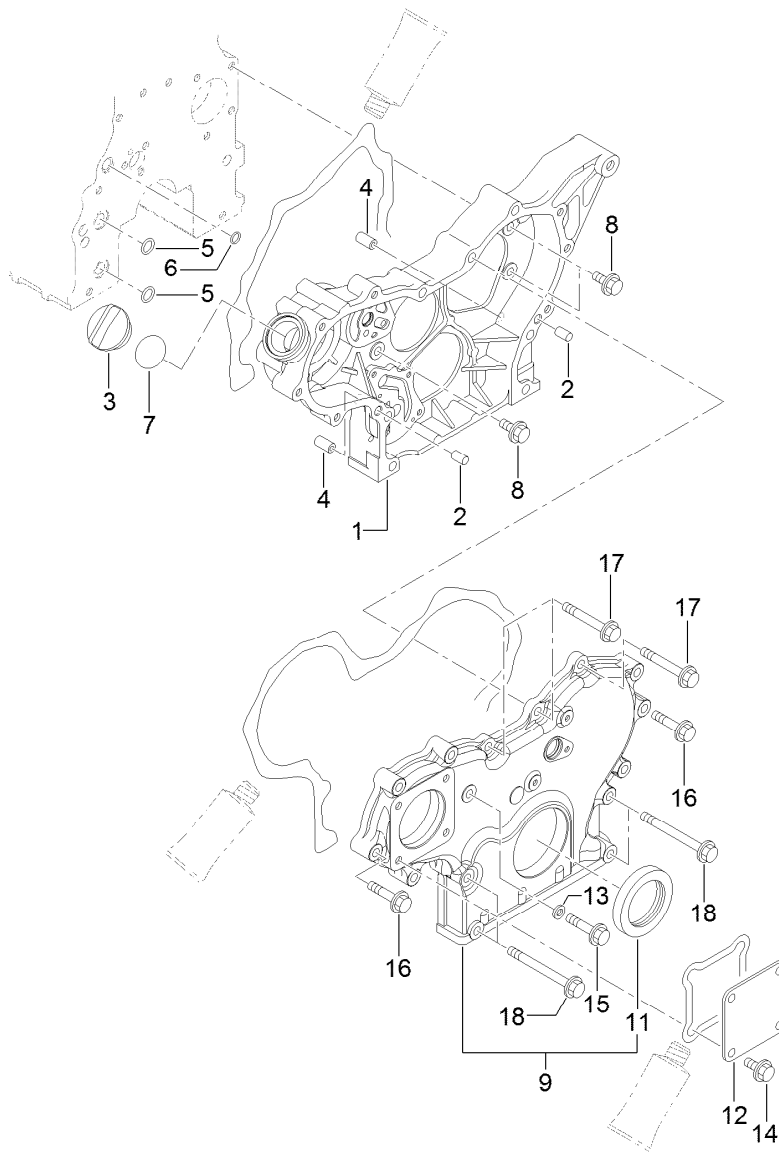
Left Deck Discharge Chamber and Cover Assembly (continued)

<i>Ref.</i>	<i>Part Number</i>	<i>Qty.</i>	<i>Description</i>	<i>Ref.</i>	<i>Part Number</i>	<i>Qty.</i>	<i>Description</i>
1	130-2682-01	1	Chamber-Outer	9	74-5950	7	Latch-Swell
2	130-2683-01	1	Chamber-Inner	10	100-5669	1	Cover-Motor, LH Deck
3	3230-18	9	Screw-CARR	11	100-5664-03	1	Plate-Cover, LH
4	104-8300	9	Nut-HF, NI	12	100-5667-03	1	Plate-Cover, LH Side
5	3296-45	2	Nut-Hex	13	3234-1	3	Screw-HHF
6	29-4820	2	Roller	14	1-804254	7	Nut-Lock, HH
7	325-17	2	Screw-HH	17	3234-42	1	Screw-HHF
8	107-3154	3	Nut-Push	18	104-8301	1	Nut-HF, NI



Cylinder Block Assembly

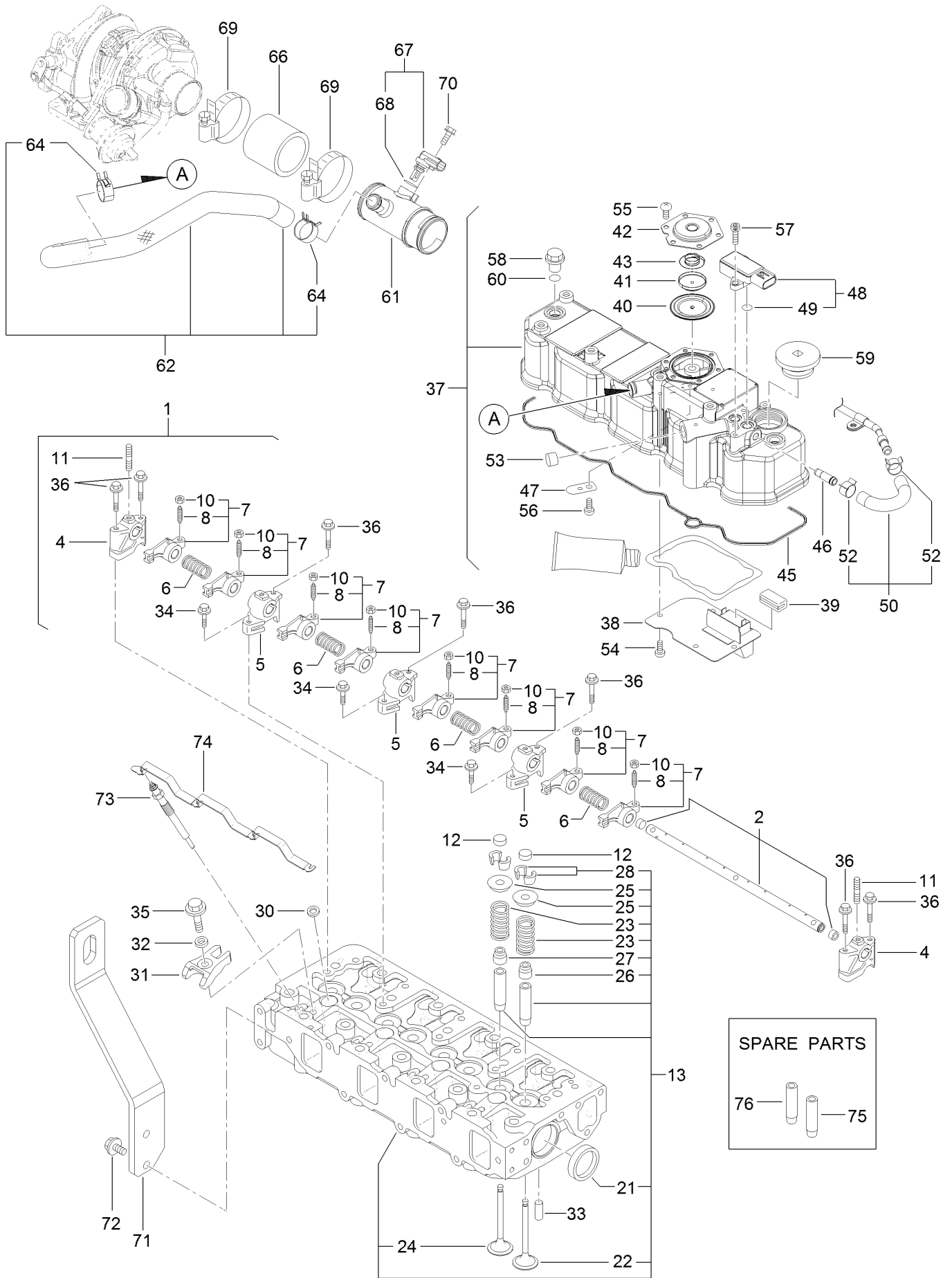
<i>Ref.</i>	<i>Part Number</i>	<i>Qty.</i>	<i>Description</i>	<i>Ref.</i>	<i>Part Number</i>	<i>Qty.</i>	<i>Description</i>
1	127-3127	1	Cylinder Block ASM	13	125-6973	1	Plug
4	125-6980	1	Plug	14	125-7237	1	Plug
5	125-7170	1	Plug	24	125-7010	2	Metal-Thrust
6	125-7007	10	Bolt	27	125-7006	18	Bolt
9	125-7108	1	Bushing	28	127-3126	1	Gasket-Head, Cylinder
10	125-7239	8	Plug	29	125-6981	5	Metal-Main
11	125-6969	1	Plug	32	125-7009	5	Metal-Main (0.25)
12	125-6973	2	Plug	35	125-7011	1	Metal-Thrust (0.25)



Gear Housing Assembly

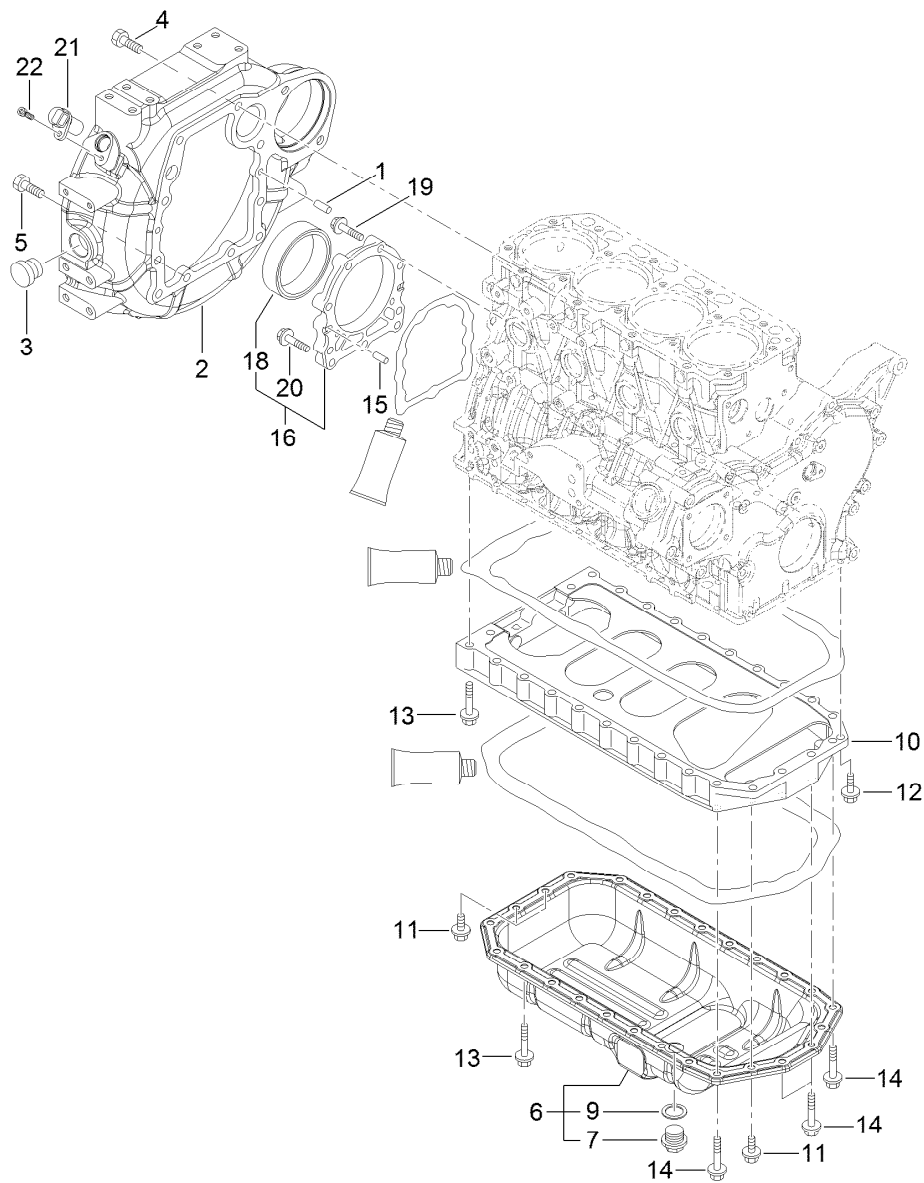
<i>Ref.</i>	<i>Part Number</i>	<i>Qty.</i>	<i>Description</i>	<i>Ref.</i>	<i>Part Number</i>	<i>Qty.</i>	<i>Description</i>
1	127-3023	1	Case-Gear	11	125-6944	1	Seal-Oil
2	125-6995	2	Pin	12	125-6977	1	Cover
3	125-6972	1	Cover-Filler	13	125-7174	1	Washer-Seal
4	125-7107	2	Pipe	14	125-7214	4	Bolt
5	125-6909	2	O-Ring	15	125-7217	1	Bolt
6	127-2973	1	O-Ring	16	125-7218	7	Bolt
7	125-7197	1	O-Ring	17	125-7222	3	Bolt
8	125-7214	3	Bolt	18	125-7224	4	Bolt
9	127-3024	1	Gearcase Cover ASM				

Cylinder Head and Cover Assembly



Cylinder Head and Cover Assembly (continued)

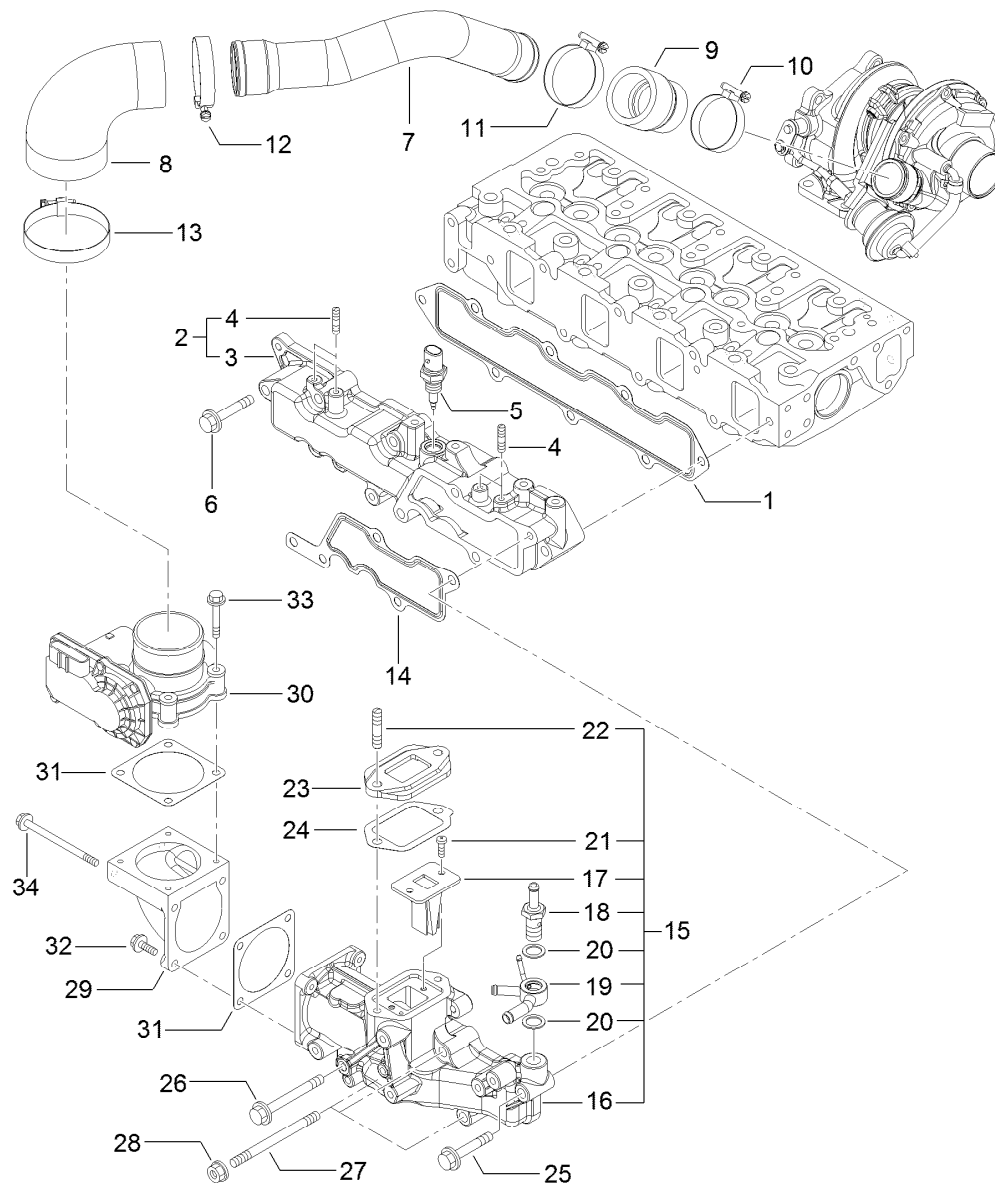
<i>Ref.</i>	<i>Part Number</i>	<i>Qty.</i>	<i>Description</i>	<i>Ref.</i>	<i>Part Number</i>	<i>Qty.</i>	<i>Description</i>
1	127-3005	1	Shaft ASM	42	125-6961	1	Plate-Breather
2	127-3006	1	Shaft	43	125-6962	1	Spring-Diaphragm
4	127-2974	2	Support	45	127-3106	1	Gasket-Cover
5	127-2975	3	Support	46	127-3026	1	Joint
6	127-2995	4	Spring	47	125-6994	1	Spring
7	127-2989	8	Arm-Rocker	48	127-3029	1	Sensor-Pressure
8	125-7013	8	Screw-Adjust, Valve	49	127-3032	2	O Ring-Sensor, Pressure
10	125-7014	8	Nut	50	127-3040	1	Hose ASM
11	127-3183	3	Stud	52	127-3041	2	Clip-Hose
12	127-2996	8	Cap-Valve	53	125-6913	1	Plug
13	127-3132	1	Cylinder Head ASM	54	125-7186	4	Screw
21	125-7240	2	Plug	55	125-7186	6	Screw
22	127-2990	4	Valve	56	125-7186	1	Screw
23	127-3012	8	Spring	57	127-3184	2	Bolt
24	127-2994	4	Valve	58	125-6974	3	Knob
25	127-3013	8	Retainer-Spring	59	127-2978	1	Plug
26	127-2986	4	Seal-Stem, Valve	60	93-0418	3	O-Ring
27	127-3027	4	Seal-Stem, Valve	61	127-3128	1	Joint-Breather
28	127-3186	8	Pin-Cotter	62	127-3129	1	Breather Hose ASM
30	127-3021	4	Gasket-Injector	64	125-7040	2	Clip-Hose
31	127-3028	4	Retainer-Injector	66	127-3133	1	Hose-Intake
32	127-2980	4	Washer-Injector	67	127-3030	1	Sensor-Temp, Air
33	125-7184	2	Pin-Spring	68	127-3033	1	O-Ring
34	125-7215	3	Bolt	69	125-7190	2	Clamp-Hose
35	125-7217	4	Bolt	70	125-7208	1	Bolt
36	125-7220	7	Bolt	71	127-3130	1	Lifter-Engine
37	127-3131	1	Cylinder Head Cover ASM	72	125-7214	2	Bolt
38	127-2988	1	Plate	73	127-2991	4	Plug-Glow
39	125-7012	1	Baffle	74	127-3123	1	Connector-Glow Plug
40	125-6959	1	Diaphragm	75	127-2979	4	Guide
41	125-6960	1	Plate	76	127-2997	4	Guide-Valve



Flywheel Housing and Oil Sump Assembly

Ref.	Part Number	Qty.	Description
1	125-6995	2	Pin
2	127-3025	1	Housing-Flywheel
3	125-6910	1	Cap
4	125-7226	6	Bolt
5	125-7227	4	Bolt
6	125-7241	1	Oil Sump ASM
7	125-6912	1	Plug-Drain
9	125-7177	1	Washer-Seal
10	125-7035	1	Spacer
11	125-7214	4	Bolt

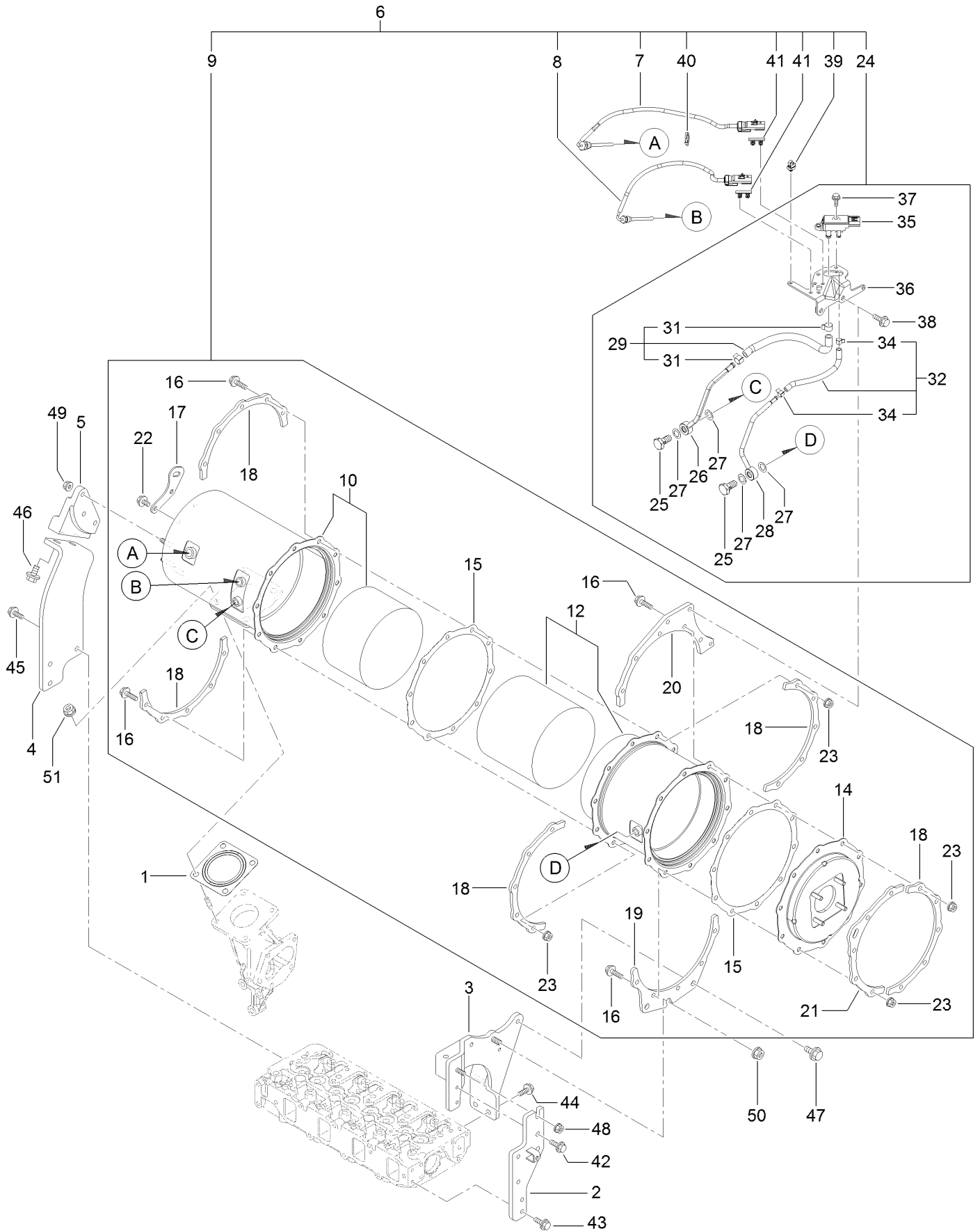
Ref.	Part Number	Qty.	Description
12	125-7215	2	Bolt
13	125-7219	20	Bolt
14	125-7220	4	Bolt
15	125-6995	2	Pin
16	125-6996	1	Case ASM
18	125-7106	1	Seal-Oil
19	125-7045	6	Bolt
20	125-7217	3	Bolt
21	127-3062	1	Sensor-Rev, Flywheel
22	127-3184	1	Bolt



Suction Manifold Assembly

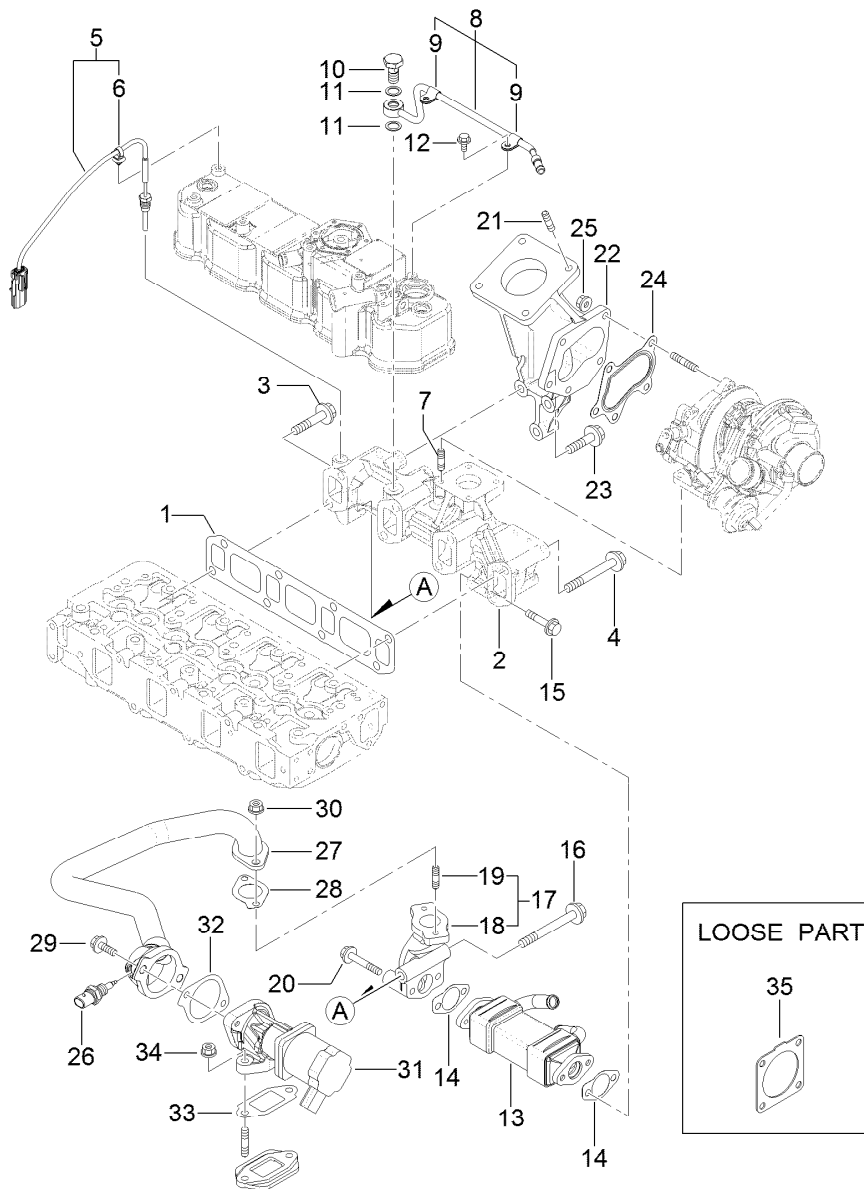
Ref.	Part Number	Qty.	Description	Ref.	Part Number	Qty.	Description
1	127-3107	1	Gasket-Manifold, Intake	18	127-3080	1	Joint-Hose
2	127-3135	1	Intake Manifold ASM	19	127-3081	1	Joint-Hose
3	127-3134	1	Manifold-Intake	20	127-3166	2	Washer-Seal
4	127-3180	4	Stud	21	127-3168	2	Screw
5	127-3031	1	Sensor-Temp, Air	22	127-3181	2	Stud
6	125-7220	5	Bolt	23	127-3045	1	Spacer-Valve, E G R
7	127-3152	1	Duct-Suction	24	127-3046	1	Gasket-E G R
8	127-3096	1	Joint-Rubber	25	125-7220	1	Bolt
9	127-3153	1	Joint-Rubber	26	127-3178	1	Bolt
10	125-7189	1	Clamp-Hose	27	127-3182	3	Stud
11	127-3170	1	Clamp-Hose	28	125-7229	3	Nut
12	125-7190	1	Clamp-Hose	29	127-3035	1	Bend-Inlet
13	127-3171	1	Clamp-Hose	30	127-3036	1	Body-Throttle
14	127-3034	1	Gasket-Collector	31	127-3037	2	Gasket-Throttle
15	127-3093	1	Intake Collector ASM	32	125-7209	2	Gasket
16	127-3092	1	Collector-Intake	33	125-7211	4	Bolt
17	127-3139	1	Valve-Reed	34	127-3177	2	Bolt

Diesel Particulate Filter Assembly



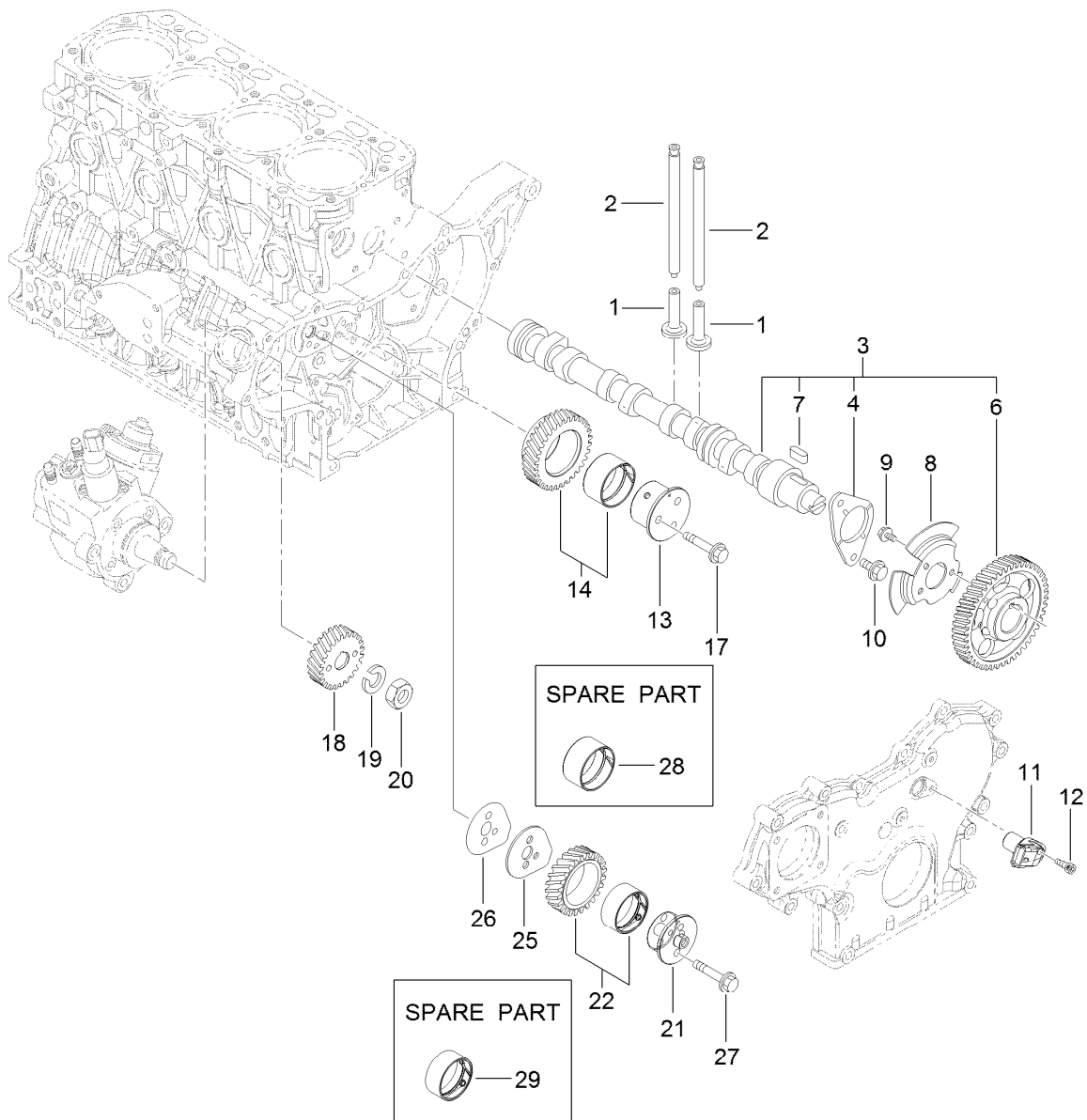
Diesel Particulate Filter Assembly (continued)

<i>Ref.</i>	<i>Part Number</i>	<i>Qty.</i>	<i>Description</i>	<i>Ref.</i>	<i>Part Number</i>	<i>Qty.</i>	<i>Description</i>
1	127-2987	1	Gasket-Silencer	27	127-3056	4	Gasket-Sensor
2	127-3095	1	Stay-D P F	28	127-3165	1	Exhaust Pressure Pipe ASM
3	127-3148	1	Stay- D P F	29	127-3114	1	Exhaust Hose ASM
4	127-3149	1	Stay-D P F	31	127-3057	2	Clip-Hose
5	127-3150	1	Stay-D P F	32	127-3059	1	Exhaust Pressure Hose ASM
6	127-3159	1	D P F Unit	34	127-3058	2	Clip-Hose
7	127-3111	1	Sensor-Temp, Exhaust	35	127-3060	1	Sensor-Pressure
8	127-3112	1	Sensor-Temp, Exhaust	36	127-3061	1	Bracket-Sensor, Pressure
9	127-3157	1	D P F ASM	37	125-7208	2	Bolt
10	127-3141	1	Case-Doc	38	125-7595	2	Bolt
12	127-3142R	1	Case-Filter, Soot-Recon	39	127-3087	1	Band-Clip
12	127-3142	1	Case-Filter, Soot	40	127-3124	1	Band
14	127-3143	1	Flange-Outlet	41	127-3088	2	Clip-Connector
15	127-3162	2	Gasket-D P F	42	125-7595	2	Bolt
16	127-3055	20	Bolt	43	125-7595	2	Bolt
17	127-3144	1	Lifter-D P F	44	125-7595	2	Bolt
18	127-3145	5	Stiffener-D P F, A	45	125-7595	3	Bolt
19	127-3146	1	Stiffener-D P F, B	46	127-3179	2	Bolt
20	127-3158	1	Stiffener-D P F, D	47	127-3179	2	Bolt
21	127-3147	1	Stiffener-D P F, C	48	125-7229	1	Nut
22	125-7213	2	Bolt	49	125-7229	3	Nut
23	125-7229	20	Nut	50	125-7230	1	Nut
24	127-3163	1	Pressure Sensor Unit	51	125-7230	4	Nut
25	127-3039	2	Bolt-Joint, Pipe				
26	127-3164	1	Exhaust Pressure Pipe ASM				



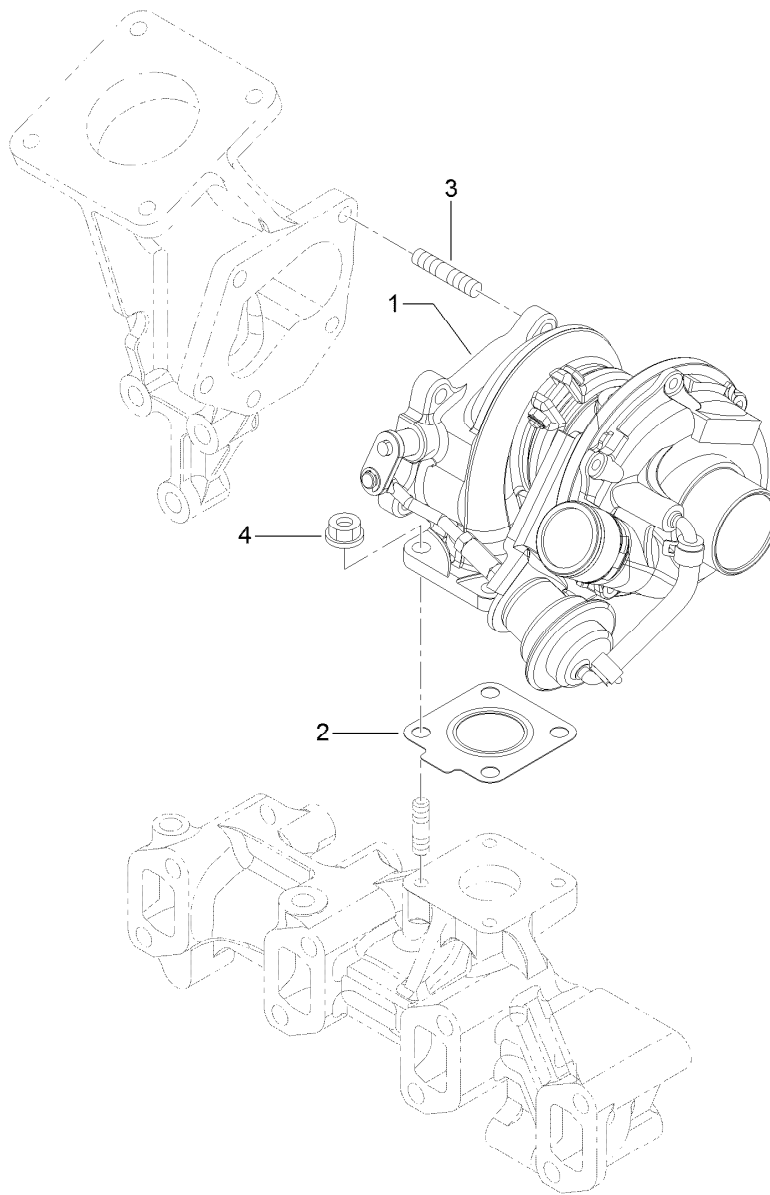
Exhaust Manifold Assembly

Ref.	Part Number	Qty.	Description	Ref.	Part Number	Qty.	Description
1	127-3108	1	Gasket-Manifold, Exhaust	19	125-7043	2	Stud
2	127-3136	1	Manifold-Exhaust	20	125-7220	2	Bolt
3	127-3094	1	Bolt	21	127-2984	4	Stud
4	127-3044	7	Bolt-M10	22	127-3137	1	Pipe-Exhaust
5	127-3140	1	Sensor-Temp, Exhaust	23	127-3138	3	Bolt-Flange
6	127-3087	1	Band-Clip	24	125-7071	1	Gasket
7	125-7043	4	Stud	25	125-7229	5	Nut
8	127-3038	1	Exhaust Pipe ASM	26	127-3047	1	Sensor-Gas Temp, E G R
9	127-3173	2	Clamp	27	127-3109	1	E G R Pipe ASM
10	127-3039	1	Bolt-Joint, Pipe	28	127-3016	1	Gasket
11	127-3174	2	Gasket	29	125-7215	2	Bolt
12	125-7206	2	Bolt	30	125-7229	2	Nut
13	127-3042	1	Cooler-E G R	31	127-3110	1	Valve-E G R
14	127-3043	2	Gasket-Cooler, E G R	32	127-3050	1	Gasket-Intake Valve, E G R
15	127-2976	2	Bolt	33	127-3051	1	Gasket-Out Valve, E G R
16	127-3022	1	Bolt-Flange	34	125-7229	2	Nut
17	127-3048	1	E G R Pipe ASM	35	127-3019	1	Gasket
18	127-3049	1	Pipe-Out, E G R				



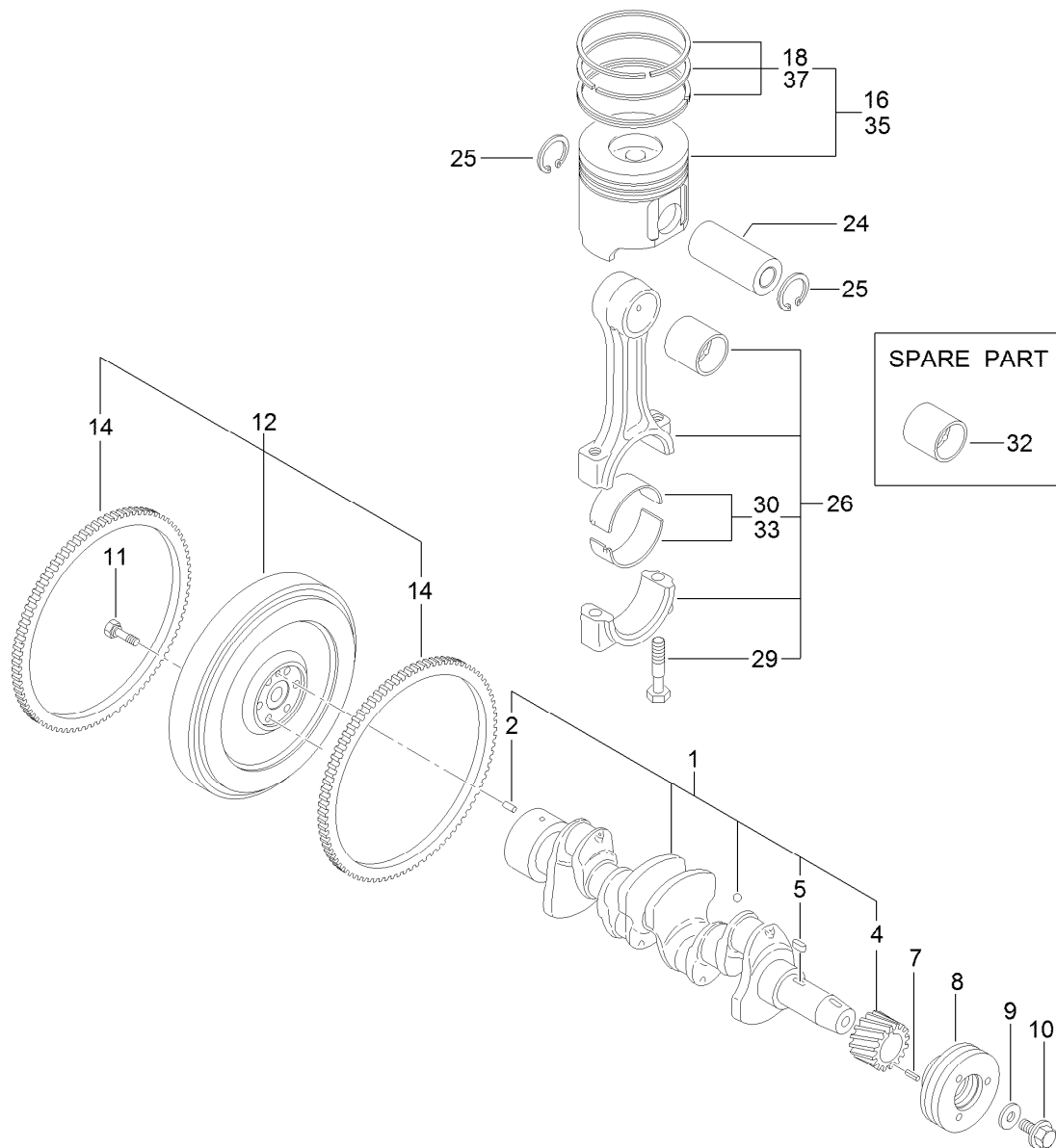
Camshaft and Driving Gear Assembly

Ref.	Part Number	Qty.	Description	Ref.	Part Number	Qty.	Description
1	125-7016	8	Tappet	14	127-3066	1	Idle Gear A ASM
2	125-7017	8	Rod-Push	17	125-7219	3	Bolt
3	127-3113	1	Camshaft ASM	18	127-3070	1	Gear-Pump, Supply
4	125-7008	1	Metal-Thrust	19	127-3167	1	Washer-Spring
6	127-3052	1	Gear-Camshaft	20	127-3185	1	Nut-Lock
7	125-7185	1	Key	21	127-3064	1	Shaft-Idle, Gear B
8	127-3053	1	Pulser-Camshaft	22	127-3067	1	Idle Gear B ASM
9	125-7205	3	Bolt	25	127-3068	1	Plate-Idle, Shaft
10	125-7213	2	Bolt	26	127-3069	1	Gasket-Idle, Shaft B
11	127-3054	1	Sensor-Rev, Gear	27	125-7218	2	Bolt
12	127-3184	1	Bolt	28	125-6927	1	Bushing
13	127-3063	1	Shaft-Idle, Gear A	29	127-3065	1	Bushing



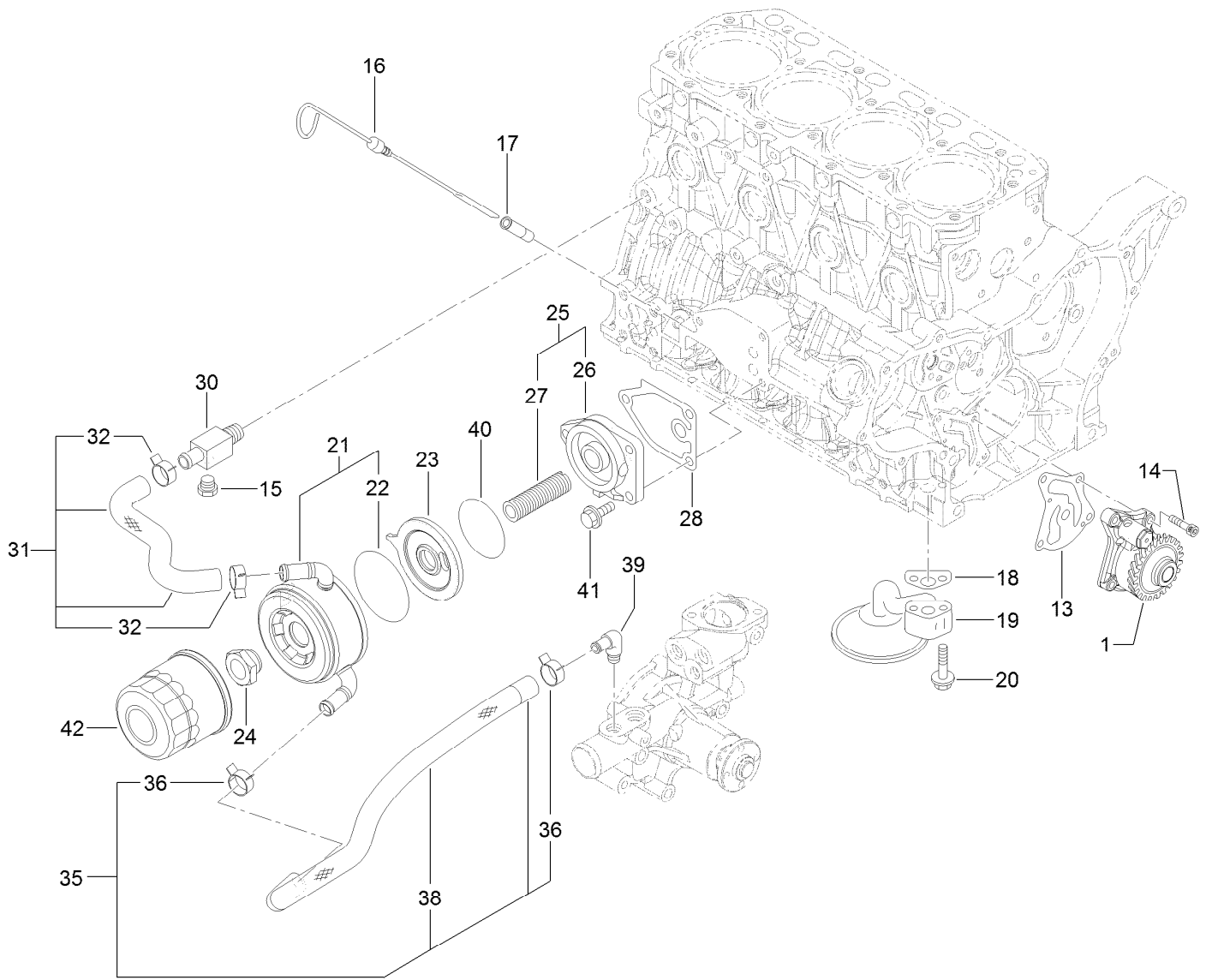
Turbine Assembly

<i>Ref.</i>	<i>Part Number</i>	<i>Qty.</i>	<i>Description</i>
1	127-3151	1	Turbine ASM
2	125-7070	1	Gasket
3	125-6906	5	Stud
4	125-7229	4	Nut



Crankshaft and Piston Assembly

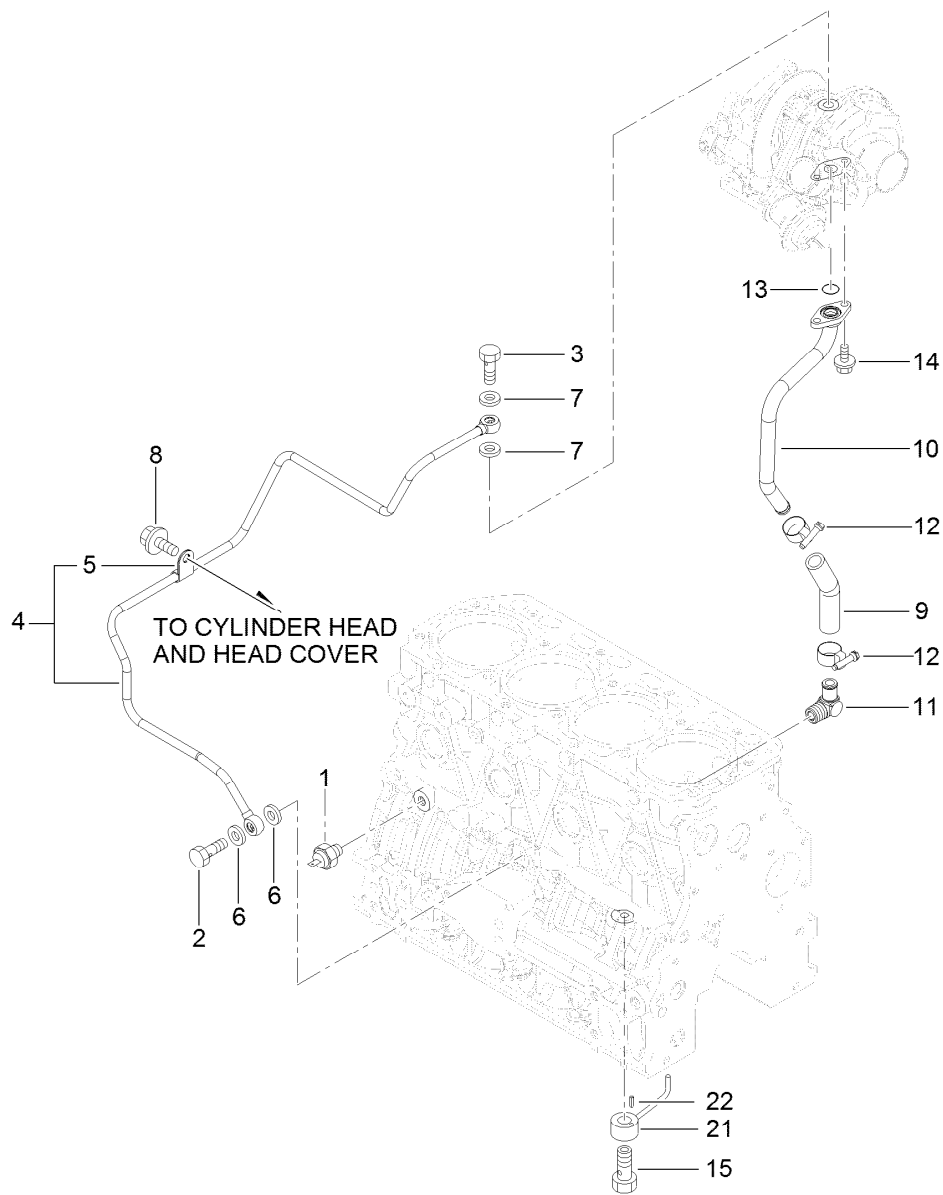
<i>Ref.</i>	<i>Part Number</i>	<i>Qty.</i>	<i>Description</i>	<i>Ref.</i>	<i>Part Number</i>	<i>Qty.</i>	<i>Description</i>
1	125-7091	1	Crankshaft ASM	16	127-3097	4	Piston ASM
2	125-6995	1	Pin	18	127-3098	4	Piston Ring ASM
4	125-6937	1	Gear	24	125-7030	4	Pin
5	125-7185	1	Key	25	125-7180	8	Ring
7	125-7182	1	Pin-Spring	26	125-7242	4	Connecting Rod ASM
8	125-6925	1	V-Pulley	29	125-6955	8	Bolt
9	125-7109	1	Washer	30	125-7018	4	Pin-Crank
10	125-6956	1	Bolt	32	125-6997	4	Pin-Piston
11	125-6951	6	Bolt	33	125-7019	4	Pin-Crank (.25)
12	127-3160	1	Flywheel ASM	35	127-3099	4	Piston ASM (0.25 O.S.)
14	125-6943	1	Gear	37	127-3100	4	Piston Ring ASM (0.25 O.S.)



Lubrication and Oil System Assembly

Ref.	Part Number	Qty.	Description
1	127-3101	1	Oil Lube Pump ASM
13	127-3004	1	Gasket
14	125-7232	4	Bolt
15	125-7171	1	Plug-Drain
16	125-6987	1	Dipstick
17	125-6954	1	Guide-Dipstick
18	125-7022	1	Gasket
19	125-7023	1	Pipe ASM
20	125-7217	2	Bolt
21	127-3014	1	Cooler ASM
22	127-2985	1	O-Ring
23	127-3015	1	Bracket-Cooler
24	125-7041	1	Nut-Cooler, Oil
25	127-3009	1	Bracket ASM

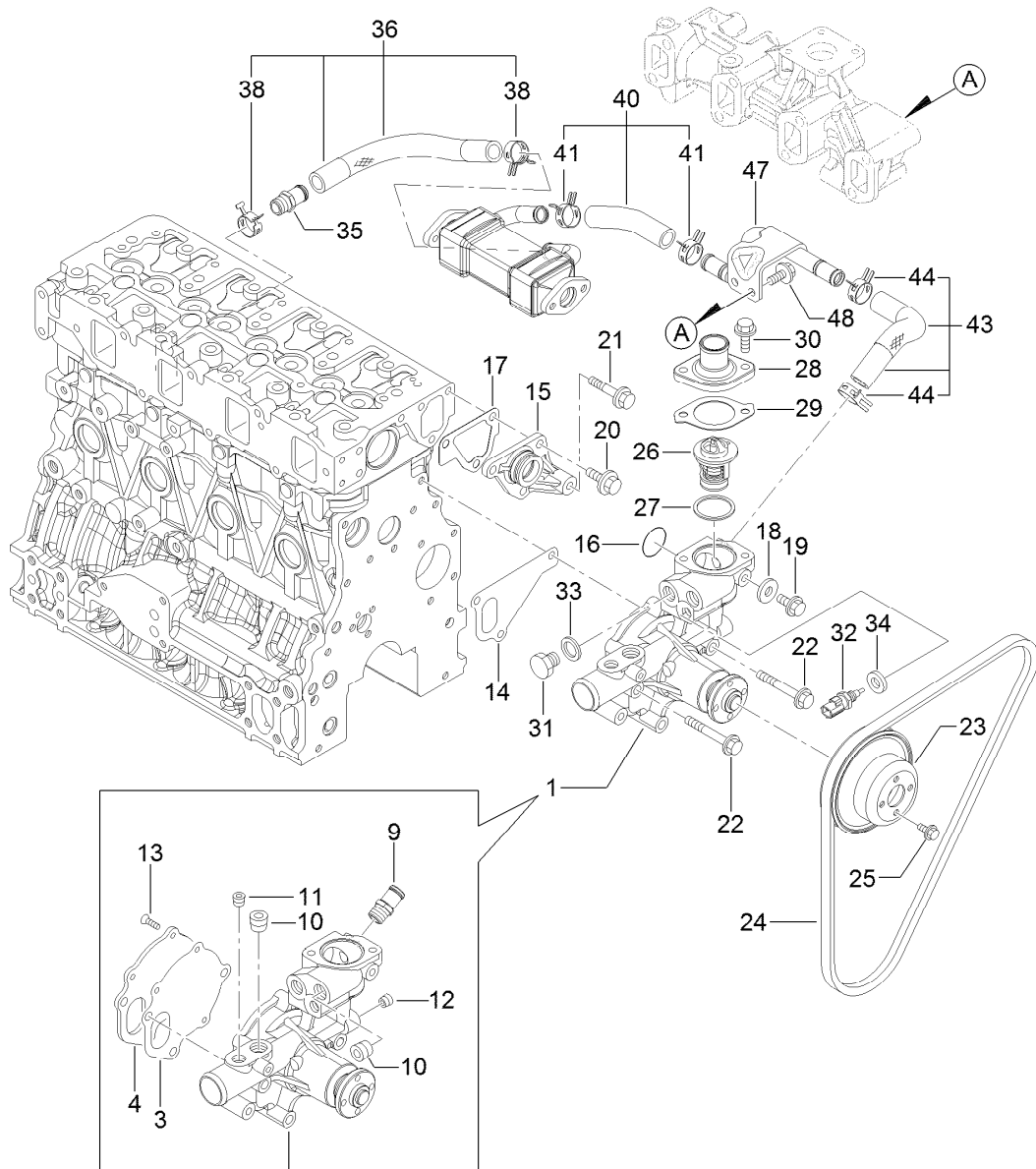
Ref.	Part Number	Qty.	Description
26	125-6930	1	Bracket
27	127-3010	1	Stud
28	125-7024	1	Gasket
30	125-6990	1	Joint
31	127-3102	1	Pipe-Cooling, Water
32	125-7162	2	Clip
33	127-3103	1	Hose-Cooling, Water
34	125-7162	2	Clip
35	127-3103	1	Hose-Cooling, Water
36	125-7162	2	Clip
37	127-3007	1	Tube
38	127-3007	1	Tube
39	125-7001	1	Elbow
40	127-3176	1	O-Ring
41	125-7595	3	Bolt
42	125-7025	1	Filter-Engine



Lubrication Oil Line Assembly

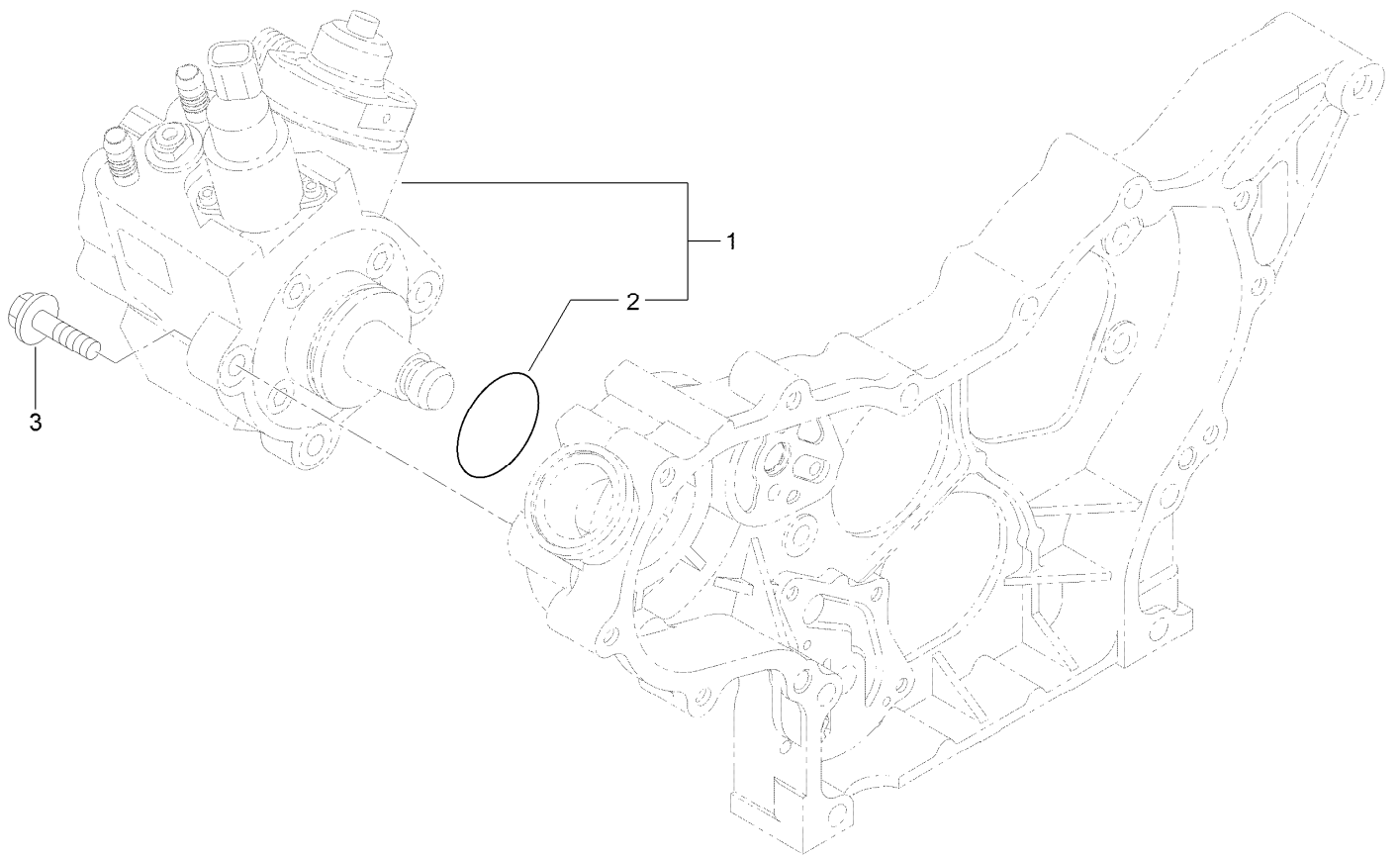
Ref.	Part Number	Qty.	Description
1	125-6918	1	Switch-Oil
2	125-6975	1	Bolt-Joint, Pipe
3	125-6952	1	Bolt-Joint, Pipe
4	127-3154	1	Lube Oil Pipe ASM
5	125-6976	1	Retainer
6	125-7175	2	Washer-Seal
7	125-7193	2	Gasket
8	93-0362	1	Bolt
9	127-2992	1	Joint

Ref.	Part Number	Qty.	Description
10	127-3155	1	Pipe-Lube, Oil
11	127-3003	1	Elbow
12	127-3169	2	Clamp-Hose
13	125-7198	1	O-Ring
14	125-7208	2	Bolt
15	125-7105	4	Check Valve ASM
21	125-7098	4	Nozzle
22	125-7182	4	Pin-Spring



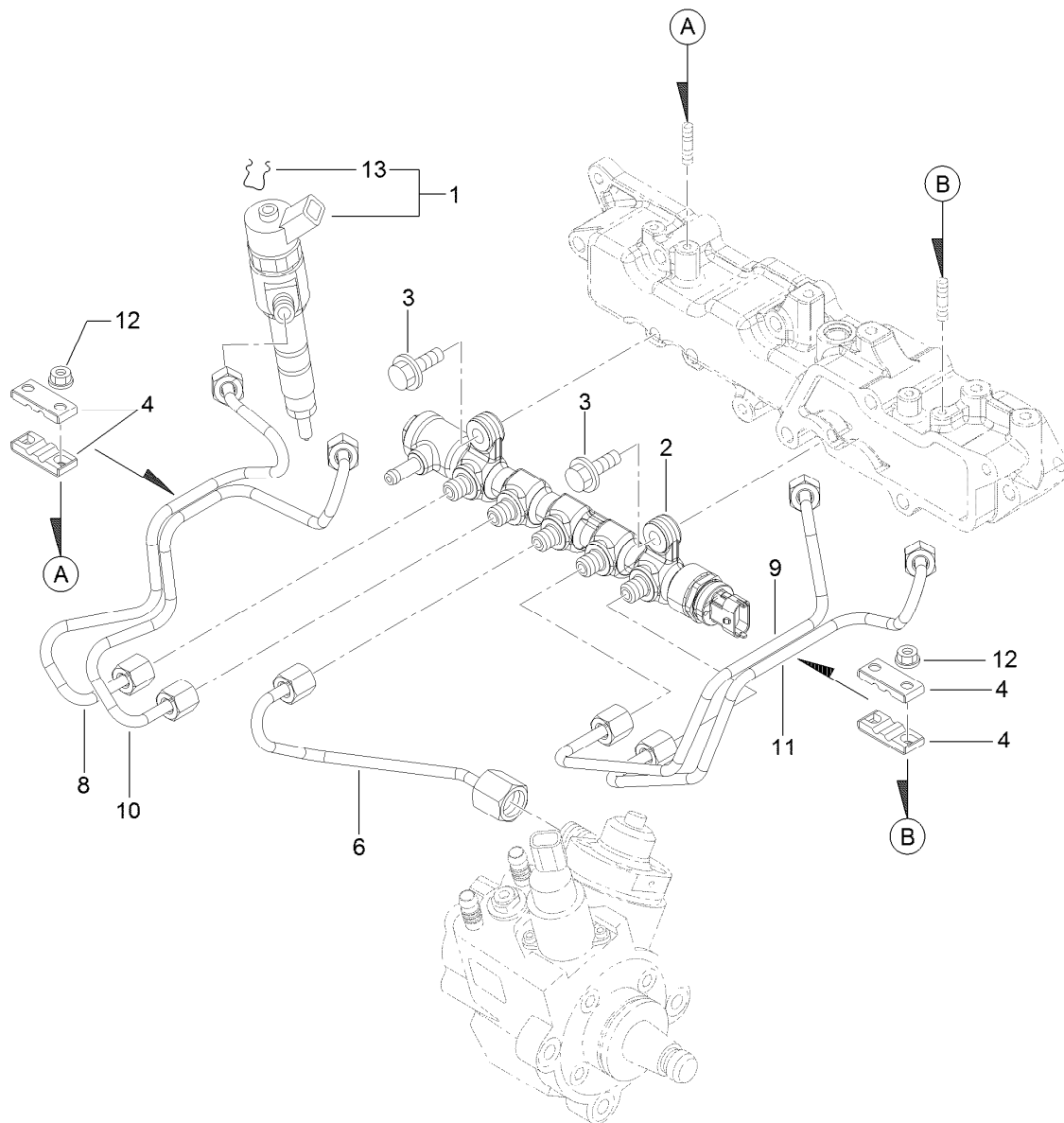
Cooling Water System Assembly

Ref.	Part Number	Qty.	Description	Ref.	Part Number	Qty.	Description
1	127-3071	1	Water Pump ASM	25	125-7206	4	Bolt
3	125-6998	1	Gasket	26	125-7029	1	Thermostat
4	125-6999	1	Plate	27	125-7026	1	Gasket
9	127-3017	1	Joint	28	125-7034	1	Cover
10	125-7123	2	Plug	29	125-7110	1	Gasket
11	127-3175	1	Plug	30	125-7594	2	Bolt
12	125-7195	1	Plug	31	125-6953	1	Plug
13	125-7234	3	Screw	32	125-7124	1	Sensor-Thermostat, CW
14	125-7047	1	Gasket	33	125-6979	1	Gasket
15	125-6986	1	Joint	34	125-7176	1	Washer-Seal
16	125-7048	1	O-Ring	35	127-3017	1	Joint
17	125-6978	1	Gasket	36	127-3072	1	Water In Pipe ASM
18	125-7192	1	Gasket	38	127-3020	2	Clip-Hose
19	93-0362	1	Bolt	40	127-3115	1	Water Out Pipe ASM
20	125-7214	3	Bolt	41	127-3020	2	Clip-Hose
21	125-7219	1	Bolt	43	127-3116	1	Water Out Pipe ASM
22	125-7222	3	Bolt	44	127-3020	2	Clip-Hose
23	125-7039	1	V-Pulley	47	127-3117	1	Pipe-Out, CW
24	127-2998	1	V-Belt	48	125-7214	2	Bolt



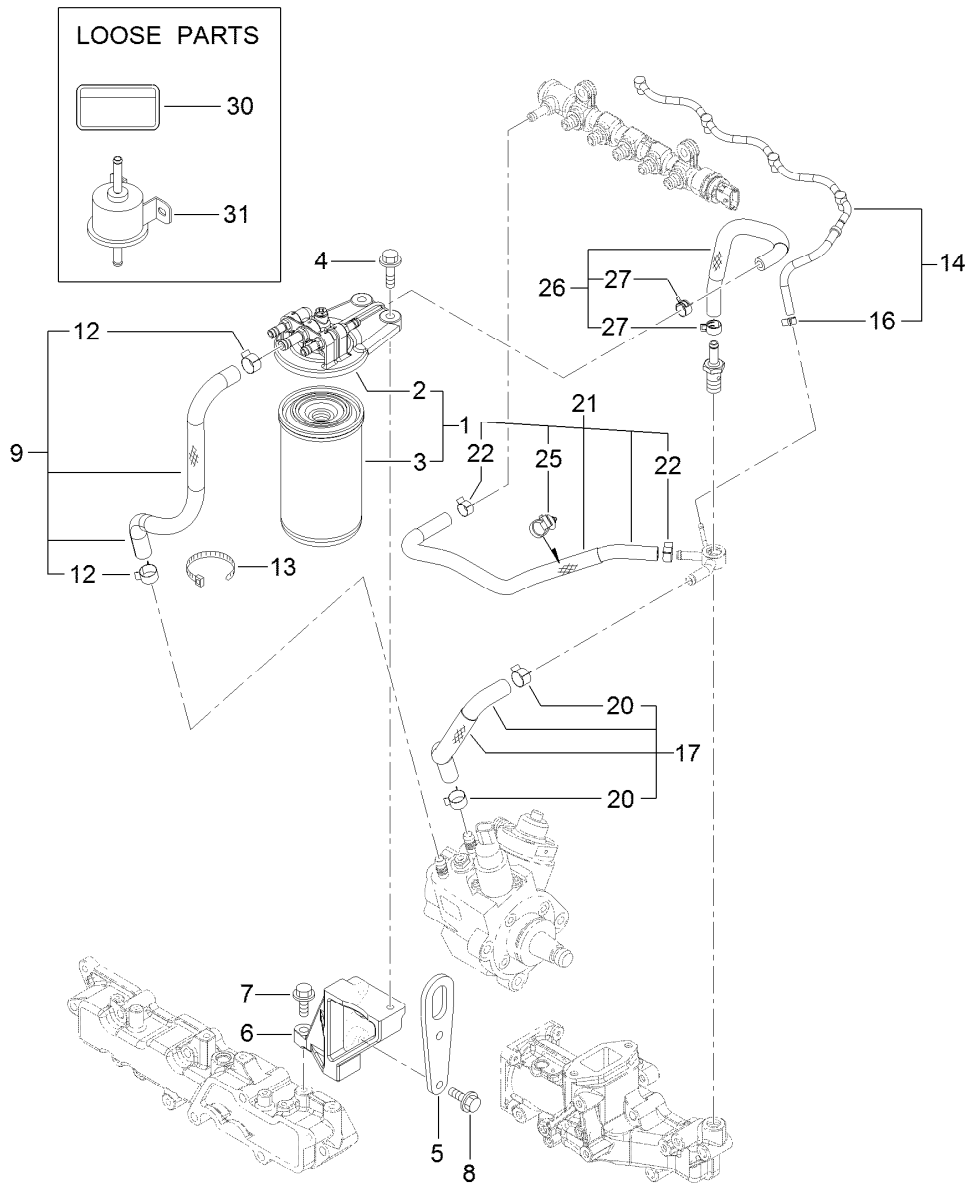
Fuel System Assembly

<i>Ref.</i>	<i>Part Number</i>	<i>Qty.</i>	<i>Description</i>
1	127-3073	1	Fuel Pump ASM
2	127-3074	1	O-Ring
3	125-7216	3	Bolt



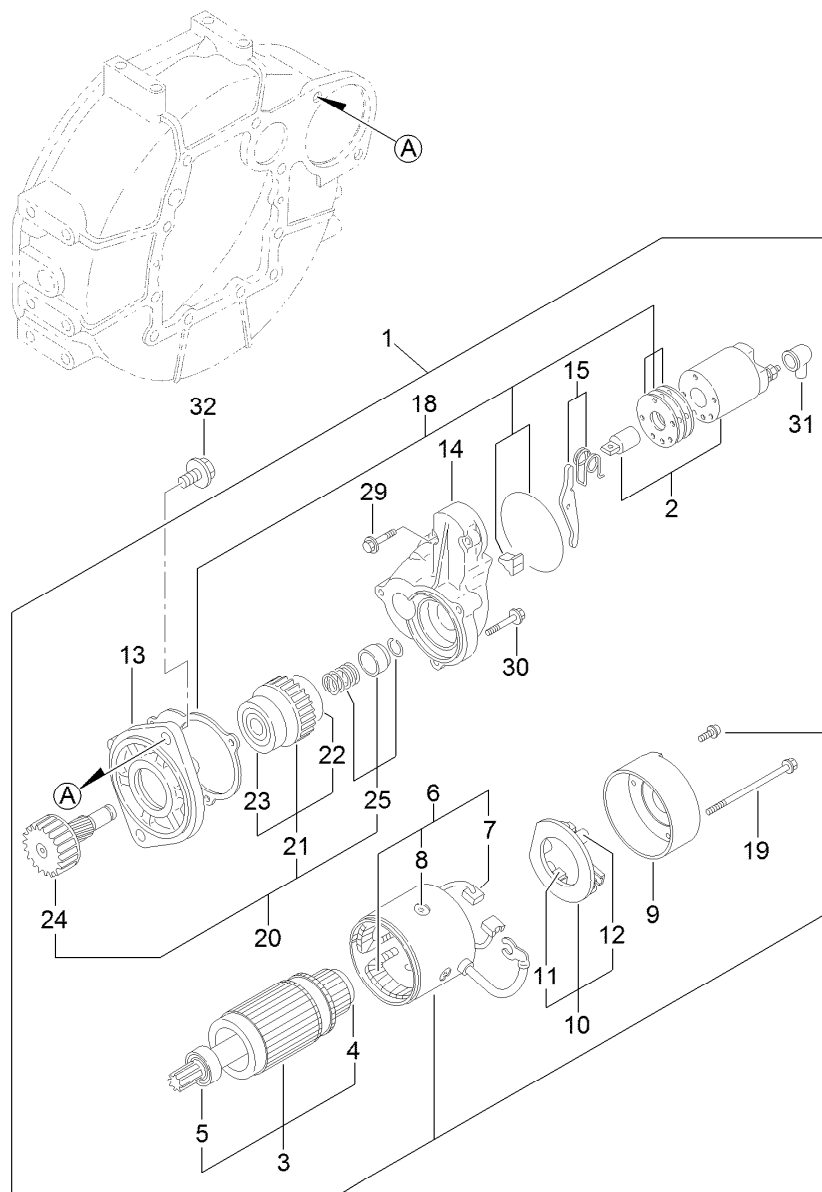
Fuel Injection Valve Assembly

<i>Ref.</i>	<i>Part Number</i>	<i>Qty.</i>	<i>Description</i>
1	127-3104	4	Injector ASM
2	127-3118	1	Rail ASM
3	125-7215	2	Bolt
4	127-2982	4	Retainer
6	127-3082	1	Rail In Pipe ASM
8	127-3121	1	Injection Pipe ASM
9	127-3083	1	Injection Pipe ASM
10	127-3122	1	Injection Pipe ASM
11	127-3084	1	Injection Pipe ASM
12	125-7231	4	Nut
13	130-7430	4	Ring-Retaining



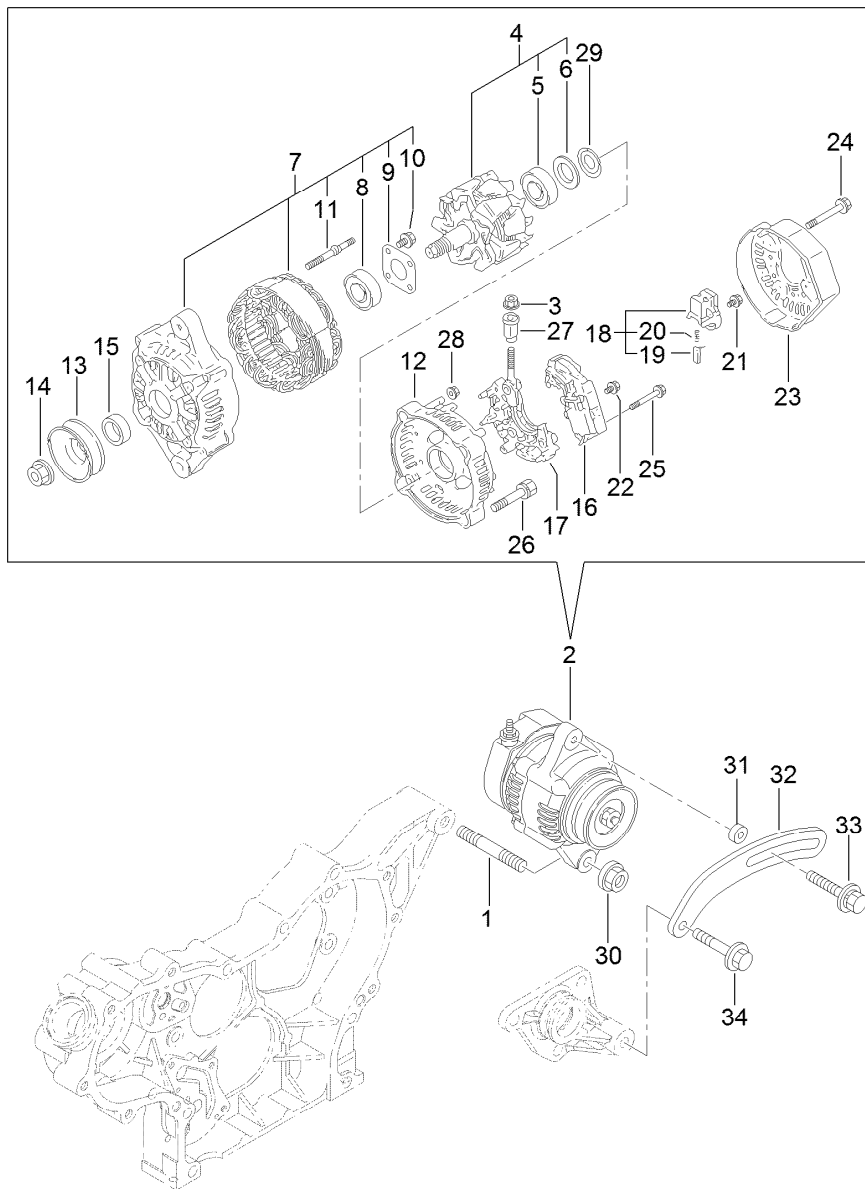
Fuel Line Assembly

Ref.	Part Number	Qty.	Description	Ref.	Part Number	Qty.	Description
1	127-3075	1	Fuel/Oil Filter ASM	14	127-3120	1	Fuel Pipe ASM
2	127-3076	1	Fuel/Oil Filter Bracket ASM	16	127-3172	1	Clamp-Hose
3	125-8752	1	Filter-Fuel/Oil	17	127-3078	1	Fuel Pipe ASM
4	125-7216	2	Bolt	20	125-7191	2	Clamp-Hose
5	127-3091	1	Lifter-Engine	21	127-3119	1	Fuel Pipe ASM
6	127-3105	1	Stay-Bracket, Filter	22	127-2950	2	Clip-Hose
7	125-7215	1	Bolt	25	127-3087	1	Band-Clip
8	125-7216	2	Bolt	26	127-3079	1	Fuel Pipe ASM
9	127-3077	1	Fuel Pipe ASM	27	127-2950	2	Clip-Hose
12	125-7191	2	Clamp-Hose	30	125-6900	1	Label-Caution, Fuel Oil
13	127-2981	1	Band	31	127-3008	1	Fuel Feed Pump ASM



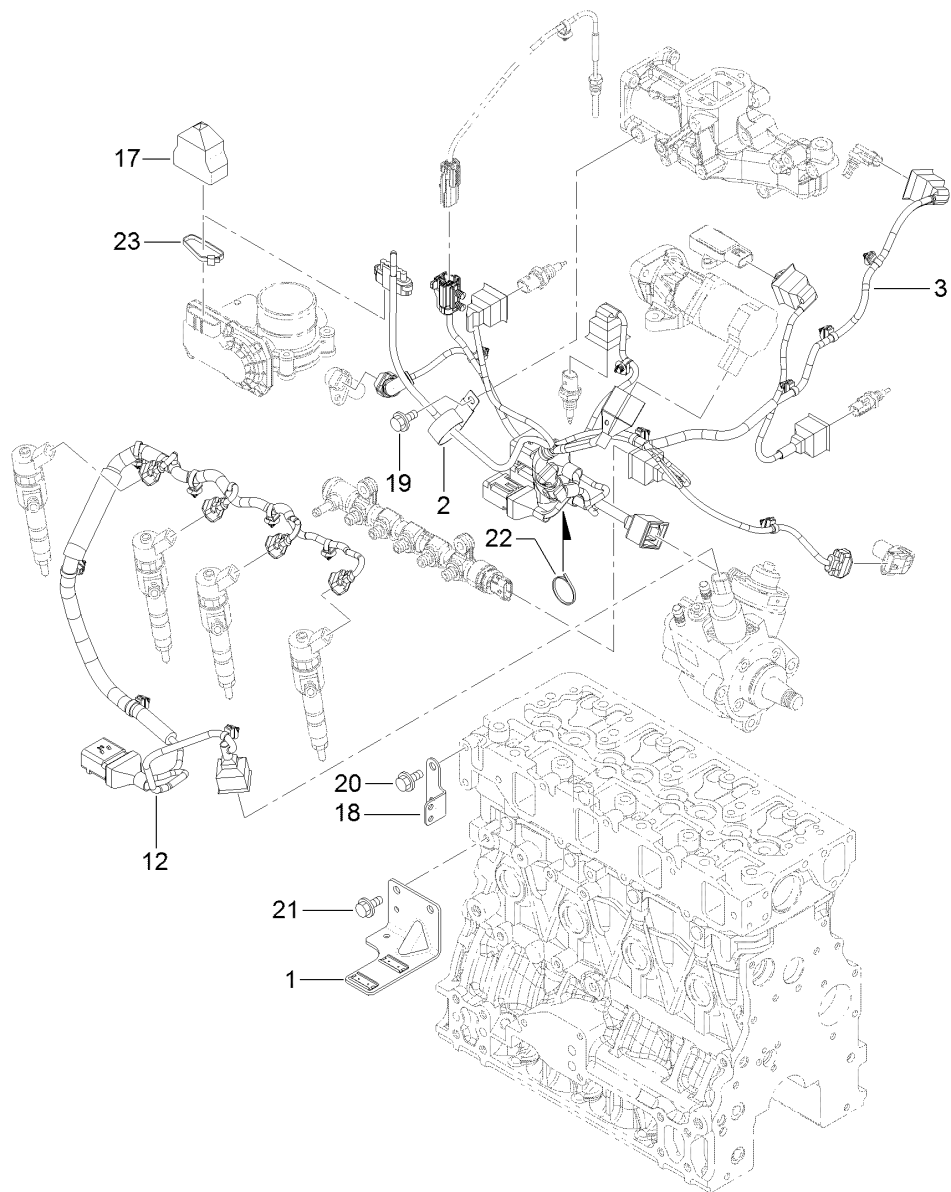
Starting Motor Assembly

<i>Ref.</i>	<i>Part Number</i>	<i>Qty.</i>	<i>Description</i>	<i>Ref.</i>	<i>Part Number</i>	<i>Qty.</i>	<i>Description</i>
1	125-7003	1	Starter	15	125-7165	1	Lever Set
2	125-7004	1	Switch ASM	18	125-7037	1	Dust Cover ASM
3	125-7112	1	Armature ASM	19	125-7117	2	Bolt-Through
4	125-7252	1	Bearing-Ball	20	125-7166	1	Pinion ASM
5	125-7249	1	Bearing, Ball	21	125-7250	1	Clutch ASM
6	125-7113	1	Field Coil ASM	22	125-7251	1	Bearing-Ball
7	125-7114	2	Brush	23	125-7253	1	Bearing-Ball
8	125-7163	4	Screw	24	125-7167	1	Shaft
9	125-7115	1	Cover	25	125-7168	1	Stopper Set
10	125-7116	1	Brush Holder ASM	29	125-7210	2	Bolt
11	125-7114	2	Brush	30	125-7211	3	Bolt
12	125-7036	4	Spring	31	125-7169	1	Cover
13	125-7164	1	Case-Gear	32	125-7225	2	Bolt
14	125-7005	1	Housing				



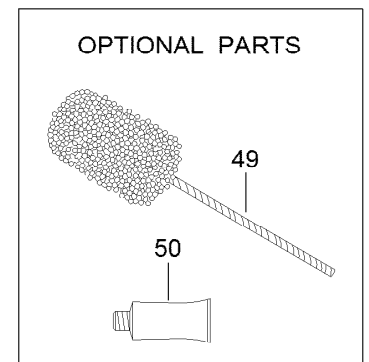
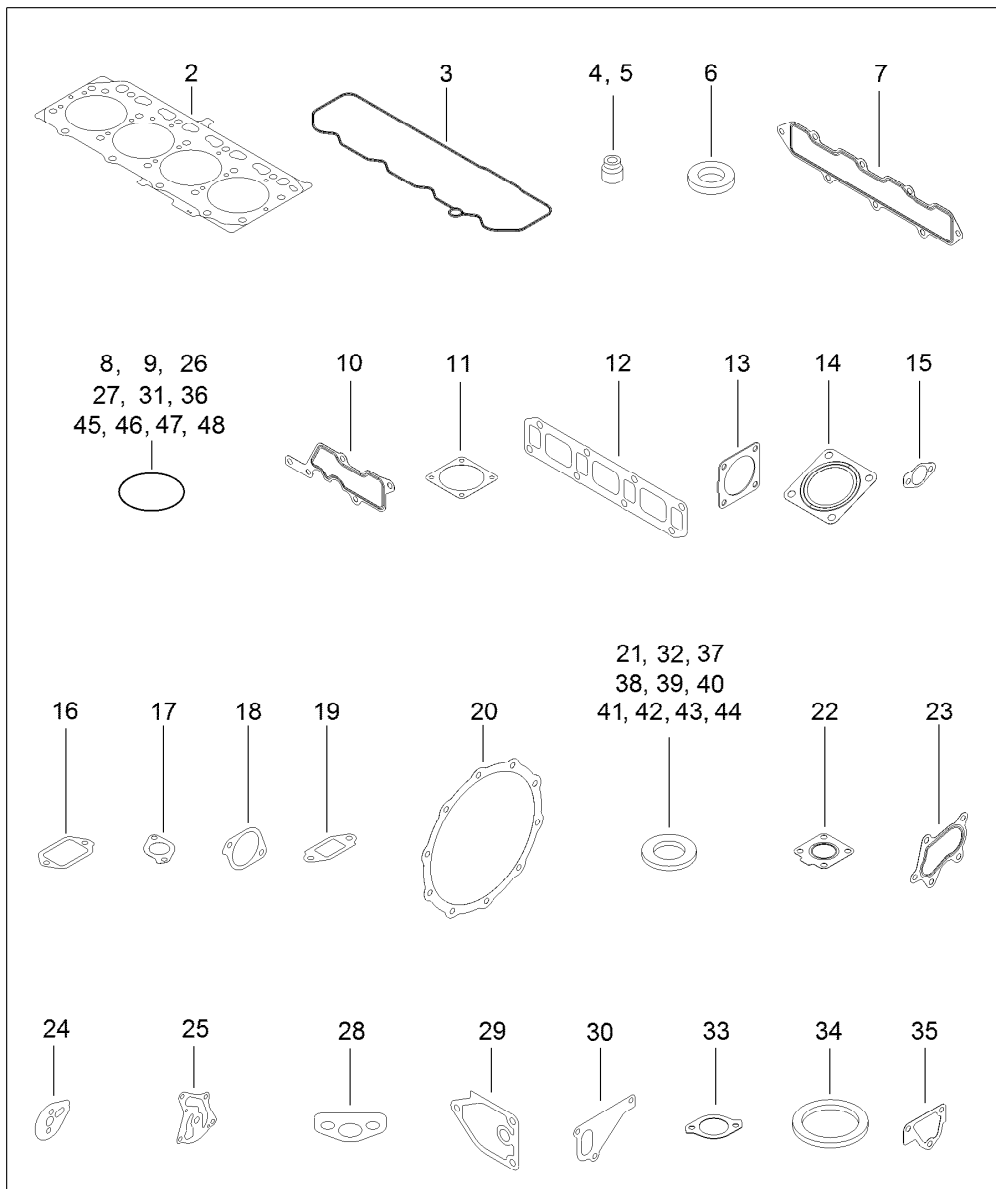
Generator Assembly

<i>Ref.</i>	<i>Part Number</i>	<i>Qty.</i>	<i>Description</i>	<i>Ref.</i>	<i>Part Number</i>	<i>Qty.</i>	<i>Description</i>
1	127-3011	1	Stud	18	127-2993	1	Holder
2	125-7120	1	Alternator-12V	19	127-2956	2	Brush ASM
3	127-3190	1	Nut	20	127-2964	2	Spring
4	127-2951	1	Rotor ASM	21	127-2965	6	Screw
5	127-2983	1	Bearing-Ball	22	127-2966	1	Screw
6	127-2962	1	Cover	23	127-2999	1	Cover
7	127-2952	1	Frame ASM	24	127-2967	3	Bolt
8	127-2958	1	Bearing-Ball	25	127-2968	2	Screw
9	127-2959	1	Plate-Retainer	26	127-2969	2	Bolt
10	127-2960	4	Screw	27	127-2970	1	Bushing-Insulation
11	127-2961	2	Stud	28	127-2971	2	Nut
12	127-2953	1	Frame ASM	29	127-2972	1	Washer
13	127-2954	1	Pulley	30	125-7230	1	Nut
14	127-2955	1	Nut	31	125-6947	1	Spacer
15	127-2957	1	Collar	32	127-2977	1	Adjuster
16	127-3002	1	Regulator ASM	33	125-7134	1	Bolt
17	127-2963	1	Holder	34	125-7219	1	Bolt



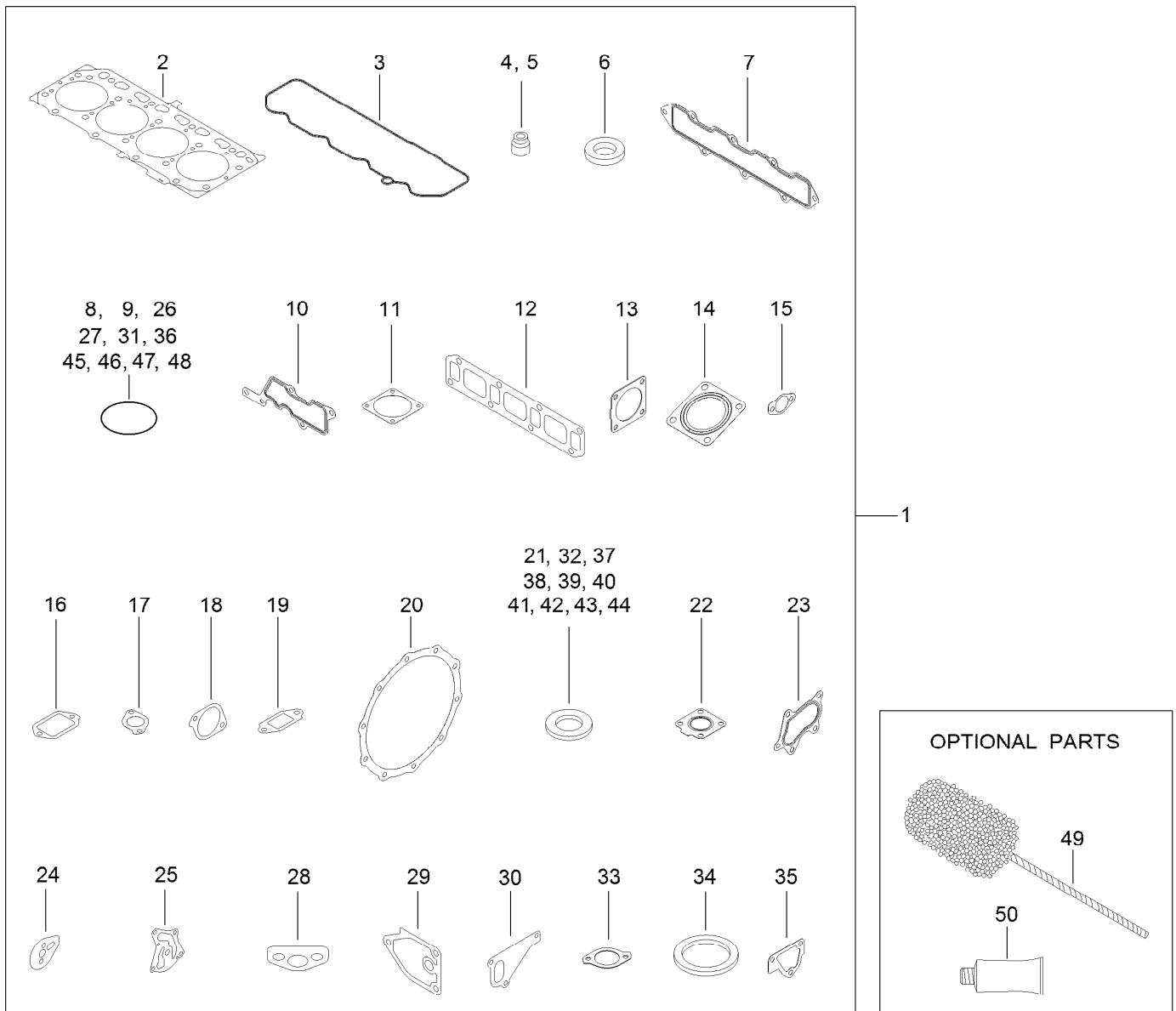
Electric Parts Assembly

Ref.	Part Number	Qty.	Description
1	127-3086	1	Bracket-Connector
2	127-3018	1	Clip
3	127-3156	1	Harness B-E C O, Engine
12	127-3125	1	Harness C
17	127-3089	1	Boot-Type, Cap
18	127-3090	1	Bracket-Harness
19	93-0362	1	Bolt
20	93-0362	2	Bolt
21	93-0362	2	Bolt
22	127-3187	1	Band
23	127-3188	1	Band



Gasket Set

Ref.	Part Number	Qty.	Description	Ref.	Part Number	Qty.	Description
1	127-3189	1	Gasket Kit	22	125-7070	1	Gasket
2	127-3126	1	Gasket-Head, Cylinder	23	125-7071	1	Gasket
3	127-3106	1	Gasket-Cover	24	127-3069	1	Gasket-Idle, Shaft B
4	127-2986	4	Seal-Stem, Valve	25	127-3004	1	Gasket
5	127-3027	4	Seal-Stem, Valve	26	125-6909	2	O-Ring
6	127-3021	4	Gasket-Injector	27	127-2973	1	O-Ring
7	127-3107	1	Gasket-Manifold, Intake	28	125-7022	1	Gasket
8	127-3032	2	O Ring-Sensor, Pressure	29	125-7024	1	Gasket
9	127-3033	1	O-Ring	30	125-7047	1	Gasket
10	127-3034	1	Gasket-Collector	31	125-7048	1	O-Ring
11	127-3037	2	Gasket-Throttle	32	125-6979	1	Gasket
12	127-3108	1	Gasket-Manifold, Exhaust	33	125-7110	1	Gasket
13	127-3019	1	Gasket	34	125-7026	1	Gasket
14	127-2987	1	Gasket-Silencer	35	125-6978	1	Gasket
15	127-3043	2	Gasket-Cooler, E G R	36	127-3074	1	O-Ring
16	127-3046	1	Gasket-E G R	37	125-7174	1	Washer-Seal
17	127-3016	1	Gasket	38	125-7175	2	Washer-Seal
18	127-3050	1	Gasket-Intake Valve, E G R	39	125-7176	1	Washer-Seal
19	127-3051	1	Gasket-Out Valve, E G R	40	127-3166	2	Washer-Seal
20	127-3162	2	Gasket-D P F	41	125-7177	1	Washer-Seal
21	127-3056	4	Gasket-Sensor	42	125-7192	1	Gasket



Gasket Set (continued)

<i>Ref.</i>	<i>Part Number</i>	<i>Qty.</i>	<i>Description</i>	<i>Ref.</i>	<i>Part Number</i>	<i>Qty.</i>	<i>Description</i>
43	125-7193	2	Gasket	47	125-7198	1	O-Ring
44	127-3174	2	Gasket	48	127-3176	1	O-Ring
45	93-0418	3	O-Ring	49	127-3000	1	Hone
46	125-7197	1	O-Ring	50	125-7248	1	Gasket-Liquid

Attachments and Accessories

For 30609 Groundsmaster 4000 Rotary Mower

Product Name	Model/Part
Bumper ASM	106-4278-03
Blade-Atomic (21.75in)	107-0214-03
Premium All Season Hydraulic Fluid (55 Gallon Drum)	108-1177
Premium All Season Hydraulic Fluid (5 Gallon Pail)	108-1178
Atomic Blade Service Pack (7 Pack)	108-1450
Blade-Flat Sail (21.75in)	110-6115-03
Flat Blade Service Pack (7 Pack)	110-6130
MVP Blade Kit	117-2722
Vinyl Backrest Extension Kit	119-7718
Large Seat Cover	120-5179
Premium Engine Oil 10w30 (55 Gallon Drum)	121-6392
Premium Engine Oil 10w30 (5 Gallon Pail)	121-6393
Premium Engine Oil 15w40 (55 Gallon Drum)	121-6394
Premium Engine Oil 15w40 (5 Gallon Pail)	121-6395
Roller Assembly	132-6113
Pivot Caster Scraper Kit	132-6114
Universal Sunshade	30349
400 Hour MVP Kit	30408
North American Light Kit	30414
Guardian Recycler Conversion Kit	30420
Leaf Mulcher Kit	30422
CE Kit	30453
Right-Hand Replacement Mower	30476
Left-Hand Replacement Mower	30477
Front Deck	30479
CE Light Kit	30660
Beacon Kit	30661
License Plate Kit	30664
Slow-Moving Vehicle Sign Kit	30665
Horn Kit	31511
Backup Alarm Kit	31512
Blade (21.75in)	92-5608-03
8in Foam Filled Wheel ASM	93-5974



Count on it.