

ideapad FLEX 4

ideapad FLEX 4-1470 | ideapad FLEX 4-1435

ideapad FLEX 4-1480 | ideapad FLEX 4-1570

ideapad FLEX 4-1580

Hardware

Maintenance

Manual

The Lenovo logo is located in the bottom right corner of the page. It consists of the word "Lenovo" in a white, sans-serif font, oriented vertically within a black rectangular background. A small trademark symbol (TM) is positioned at the top right of the word.

Lenovo™

Note:

- Before using this information and the product it supports, be sure to read the general information under “Notices” on page 78.

First Edition (April 2016)

© Copyright Lenovo 2016. All rights reserved.

LIMITED AND RESTRICTED RIGHTS NOTICE: If data or software is delivered pursuant a General Services Administration “GSA” contract, use, reproduction, or disclosure is subject to restrictions set forth in Contract No. GS-35F-05925.

© 2016 Lenovo

Contents

About this manual	iv	1030 PCI Express Mini Card for wireless LAN	38
Safety information	1	1040 DIMM	41
General safety	2	1050 Speakers	42
Electrical safety	3	1060 Hard disk drive	43
Safety inspection guide	5	1070 Fan assembly and Heat Sink assembly	45
Handling devices that are sensitive to electrostatic discharge	6	1080 IO board, DC-in cable	49
Grounding requirements	6	1090 System board	51
Safety notices: multilingual translations	7	1100 Upper case	53
Laser compliance statement	14	1110 LCD unit	56
Important service information	16	1120 Integrated camera, antenna assembly and LCD hinges	59
Strategy for replacing FRUs	16	Locations	62
Strategy for replacing a hard disk drive	17	Front view and right-side view	62
Important notice for replacing a system board	17	Bottom and Left-side view	63
Important information about replacing RoHS compliant FRUs	18	Parts list	64
General checkout	19	Overall	65
What to do first	20	LCD FRUs	80
Power system checkout	21	14.0-in. HD TFT	81
Checking the AC adapter	21	15.6-in. HD TFT	82
Checking operational charging	21	Miscellaneous parts	83
Checking the battery pack	22	AC adapters	83
Related service information	23	Screws	84
Restoring the factory contents by using OneKey Recovery	23	Notices	85
Restore of factory default	23	Trademarks	86
Passwords	24		
Power-on password	24		
Hard-disk password	24		
Administrator password	24		
Power management	25		
Screen blank state	25		
Putting the computer to sleep or shutting it down	25		
Putting your computer to sleep	25		
Shutting down the computer	26		
Lenovo ideapad FLEX 4-1470/ideapad FLEX 4-1435/ideapad FLEX 4-1480/ideapad FLEX 4-1570/ideapad FLEX 4-1580	27		
Specifications	27		
Status indicators	29		
Hotkeys	30		
FRU replacement notices	31		
Screw notices	31		
Removing and replacing an FRU	32		
1010 Base cover	33		
1020 Battery pack	36		

About this manual

This manual contains service and reference information for the following Lenovo product:

Lenovo ideapad FLEX 4-1470/ideapad FLEX 4-1435/ideapad FLEX 4-1480/ideapad FLEX 4-1570/ideapad FLEX 4-1580

Use this manual to troubleshoot problems.

The manual is divided into the following sections:

- The common sections provide general information, guidelines, and safety information required for servicing computers.
- The product-specific section includes service, reference, and product-specific parts information.

Important:

This manual is intended only for trained servicers who are familiar with Lenovo products. Use this manual to troubleshoot problems effectively.

Before servicing a Lenovo product, make sure to read all the information under “Safety information” on page 1 and “Important service information” on page 16.

Safety information

This chapter presents the following safety information that you need to get familiar with before you service a Lenovo ideapad FLEX 4-1470/ideapad FLEX 4-1435/ideapad FLEX 4-1480/ideapad FLEX 4-1570/ideapad FLEX 4-1580 computer:

- “General safety” on page 2
- “Electrical safety” on page 3
- “Safety inspection guide” on page 5
- “Handling devices that are sensitive to electrostatic discharge” on page 6
- “Grounding requirements” on page 6
- “Safety notices: multilingual translations” on page 7
- “Laser compliance statement” on page 14

General safety

Follow these rules below to ensure general safety:

- Observe a good housekeeping in the area where the machines are put during and after the maintenance.
- When lifting any heavy object:
 1. Make sure that you can stand safely without slipping.
 2. Distribute the weight of the object equally between your feet.
 3. Use a slow lifting force. Never move suddenly or twist when you attempt to lift it.
 4. Lift it by standing or pushing up with your leg muscles; this action could avoid the strain from the muscles in your back. Do not attempt to lift any object that weighs more than 16 kg (35 lb) or that you think is too heavy for you.
- Do not perform any action that causes hazards to the customer, or that makes the machine unsafe.
- Before you start the machine, make sure that other service representatives and the customer are not in a hazardous position.
- Please remove covers and other parts in a safe place, away from all personnel, while you are servicing the machine.
- Keep your toolcase away from walk areas so that other people will not trip over it.
- Do not wear loose clothing that can be trapped in the moving parts of the machine. Make sure that your sleeves are fastened or rolled up above your elbows. If your hair is long, fasten it.
- Insert the ends of your necktie or scarf inside clothing or fasten it with the nonconductive clip, about 8 centimeters (3 inches) from the end.
- Do not wear jewelry, chains, metal-frame eyeglasses, or metal fasteners for your clothing.

Attention: Metal objects are good electrical conductors.
- Wear safety glasses when you are hammering, drilling, soldering, cutting wire, attaching springs, using solvents, or working in any other conditions that may be hazardous to your eyes.
- After service, reinstall all safety shields, guards, labels, and ground wires. Replace any safety device that is worn or defective.
- Reinstall all covers correctly before returning the machine to the customer.
- Fan louvers on the machine help to prevent the overheating of internal components. Do not obstruct fan louvers or cover them with labels or stickers.

Electrical safety

Observe the following rules when working on electrical equipments.

Important:

Use only approved tools and test equipments. Some hand tools have handles covered with a soft material that does not insulate you when working with live electrical currents.

Many customers have rubber floor mats near their machines that contain small conductive fibers to decrease electrostatic discharges. Do not use such kind of mat to protect yourself from electrical shock.

- Find the room emergency power-off (EPO) switch, disconnecting switch or electrical outlet. If an electrical accident occurs, you can then operate the switch or unplug the power cord quickly.
- Do not work alone under hazardous conditions or near the equipment that has hazardous voltages.
- Disconnect all power before:
 - Performing a mechanical inspection
 - Working near power supplies
 - Removing or installing main units
- Before you start to work on the machine, unplug the power cord. If you cannot unplug it, ask the customer to power-off the wall box that supplies power to the machine, and to lock the wall box in the off position.
- If you need to work on a machine that has exposed electrical circuits, observe the following precautions:
 - Ensure that another person, familiar with the power-off controls, is near you.
Attention: Another person must be there to switch off the power, if necessary.
 - Use only one hand when working with powered-on electrical equipment; keep the other hand in your pocket or behind your back.
Attention: An electrical shock can occur only when there is a complete circuit. By observing the above rule, you may prevent a current from passing through your body.
 - When using testers, set the controls correctly and use the approved probe leads and accessories for that tester.
 - Stand on suitable rubber mats (obtained locally, if necessary) to insulate you from grounds such as metal floor strips and machine frames.

Observe the special safety precautions when you work with very high voltages; instructions for these precautions are in the safety sections of maintenance information. Be extremely careful when you measure the high voltages.

- Regularly inspect and maintain your electrical hand tools for safe operational condition.
- Do not use worn or broken tools and testers.
- Never assume that power has been disconnected from a circuit. First, check it to make sure that it has been powered off.

- Always look carefully for possible hazards in your work area. Examples of these hazards are moist floors, nongrounded power extension cables, power surges, and missing safety grounds.
- Do not touch live electrical circuits with the reflective surface of a plastic dental mirror. The surface is conductive; such touching can cause personal injury and machine damage.
- Do not service the following parts with the power on when they are removed from their normal operating places in a machine:
 - Power supply units
 - Pumps
 - Blowers and fans
 - Motor generatorsand similar units. (This practice ensures correct grounding of the units.)
- If an electrical accident occurs:
 - Caution: do not become a victim yourself.
 - Switch off the power.
 - Send the victim to get medical aid.

Safety inspection guide

The purpose of this inspection guide is to assist you in identifying potential unsafe conditions. As each machine was designed and built, required safety items were installed to protect users and service personnel from injury. This guide addresses only those items. You should use good judgment to identify potential safety hazards according to the attachment of non-Lenovo features or options not covered by this inspection guide.

If any unsafe conditions are present, you must determine how serious the apparent hazard could be and whether you can continue without first correcting the problem.

Consider these conditions and the safety hazards they present:

- Electrical hazards, especially primary power (primary voltage on the frame can cause serious or fatal electrical shock)
- Explosive hazards, such as a damaged CRT face or a bulging capacitor
- Mechanical hazards, such as loose or missing hardware

To determine whether there are any potential unsafe conditions, use the following checklist at the beginning of every service task. Begin the checks with the power off, and the power cord disconnected.

Checklist:

1. Check exterior covers for damage (loose, broken, or sharp edges).
2. Turn off the computer. Disconnect the power cord.
3. Check the power cord for:
 - a. A third-wire ground connector in good condition. Use a meter to measure third-wire ground continuity for 0.1 ohm or less between the external ground pin and the frame ground.
 - b. The power cord should be the type specified in the parts list.
 - c. Insulation must not be frayed or worn.
4. Check for cracked or bulging batteries.
5. Remove the cover.
6. Check for any obvious non-Lenovo alterations. Use good judgment as to the safety of any non-Lenovo alterations.
7. Check inside the unit for any obvious unsafe conditions, such as metal filings, contamination, water or other liquids, or signs of fire or smoke damage.
8. Check for worn, frayed, or pinched cables.
9. Check that the power-supply cover fasteners (screws or rivets) have not been removed or tampered with.

Handling devices that are sensitive to electrostatic discharge

Any computer part containing transistors or integrated circuits (ICs) should be considered sensitive to electrostatic discharge (ESD). ESD damage can occur when there is a difference in charge between objects. Protect against ESD damage by equalizing the charge so that the machine, the part, the work mat, and the person handling the part are all at the same charge.

Notes:

1. Use product-specific ESD procedures when they exceed the requirements noted here.
2. Make sure that the ESD protective devices you use have been certified (ISO 9000) as fully effective.

When handling ESD-sensitive parts:

- Keep the parts in protective packages until they are inserted into the product.
- Avoid contact with other people.
- Wear a grounded wrist strap against your skin to eliminate static on your body.
- Prevent the part from touching your clothing. Most clothing is insulative and retains a charge even when you are wearing a wrist strap.
- Use the black side of a grounded work mat to provide a static-free work surface. The mat is especially useful when handling ESD-sensitive devices.
- Select a grounding system, such as those listed below, to provide protection that meets the specific service requirement.

Note:

The use of a grounding system to guard against ESD damage is desirable but not necessary.

- Attach the ESD ground clip to any frame ground, ground braid, or green-wire ground.
- When working on a double-insulated or battery-operated system, use an ESD common ground or reference point. You can use coax or connector-outside shells on these systems.
- Use the round ground prong of the ac plug on ac-operated computers.

Grounding requirements

Electrical grounding of the computer is required for operator safety and correct system function. Proper grounding of the electrical outlet can be verified by a certified electrician.

Safety notices: multilingual translations

The safety notices in this section are provided in English, French, German, Hebrew, Italian, Japanese, and Spanish.

Safety notice 1

Before the computer is powered on after FRU replacement, make sure all screws, springs, and other small parts are in place and are not left loose inside the computer. Verify this by shaking the computer and listening for rattling sounds. Metallic parts or metal flakes can cause electrical shorts.

Avant de remettre l'ordinateur sous tension après remplacement d'une unité en clientèle, vérifiez que tous les ressorts, vis et autres pièces sont bien en place et bien fixées. Pour ce faire, secouez l'unité et assurez-vous qu'aucun bruit suspect ne se produit. Des pièces métalliques ou des copeaux de métal pourraient causer un court-circuit.

Bevor nach einem FRU-Austausch der Computer wieder angeschlossen wird, muß sichergestellt werden, daß keine Schrauben, Federn oder andere Kleinteile fehlen oder im Gehäuse vergessen wurden. Der Computer muß geschüttelt und auf Klappergeräusche geprüft werden. Metallteile oder-splitter können Kurzschlüsse erzeugen.

לפני הפעלת המחשב לאחר החלפת FRU יש לוודא שכל הברגים, הקפיצים, וחלקים קטנים אחרים נמצאים במקומם ואינם חופשיים לזוז בתוך המחשב. כדי לוודא זאת, יש לטלטל את המחשב ולהקשיב לגילגולי קולות שקשוק. חלקי או שבבי מתכת עלולים לגרום לקצרים חשמליים.

Prima di accendere l'elaboratore dopo che é stata effettuata la sostituzione di una FRU, accertarsi che tutte le viti, le molle e tutte le altri parti di piccole dimensioni siano nella corretta posizione e non siano sparse all'interno dell'elaboratore. Verificare ciò scuotendo l'elaboratore e prestando attenzione ad eventuali rumori; eventuali parti o pezzetti metallici possono provocare cortocircuiti pericolosi.

FRUの交換後、コンピュータの電源を入れる前に、ねじ、バネ、その他の小さな部品がすべて正しい位置にあり、またコンピュータの内部で緩んでいないことを確認してください。これを確認するには、コンピュータを振って、カチャカチャと音がしないか確かめます。金属部品や金属破片はショートの原因になることがあります。

Antes de encender el sistema despues de sustituir una FRU, compruebe que todos los tornillos, muelles y demás piezas pequeñas se encuentran en su sitio y no se encuentran sueltas dentro del sistema. Compruébelo agitando el sistema y escuchando los posibles ruidos que provocarían. Las piezas metálicas pueden causar cortocircuitos eléctricos.

Safety notice 2

DANGER

Some standby batteries contain a small amount of nickel and cadmium. Do not disassemble a standby battery, recharge it, throw it into fire or water, or short-circuit it. Dispose of the battery as required by local ordinances or regulations. Use only the battery in the appropriate parts listing. Use of an incorrect battery can result in ignition or explosion of the battery.

Certaines batteries de secours contiennent du nickel et du cadmium. Ne les démontez pas, ne les rechargez pas, ne les exposez ni au feu ni à l'eau. Ne les mettez pas en court-circuit. Pour les mettre au rebut, conformez-vous à la réglementation en vigueur. Lorsque vous remplacez la pile de sauvegarde ou celle de l'horloge temps réel, veillez à n'utiliser que les modèles cités dans la liste de pièces détachées adéquate. Une batterie ou une pile inappropriée risque de prendre feu ou d'exploser.

Die Bereitschaftsbatterie, die sich unter dem Diskettenlaufwerk befindet, kann geringe Mengen Nickel und Cadmium enthalten. Sie darf nicht zerlegt, wiederaufgeladen, kurzgeschlossen, oder Feuer oder Wasser ausgesetzt werden. Bei der Entsorgung die örtlichen Bestimmungen für Sondermüll beachten. Beim Ersetzen der Bereitschafts- oder Systembatterie nur Batterien des Typs verwenden, der in der Ersatzteilliste aufgeführt ist. Der Einsatz falscher Batterien kann zu Entzündung oder Explosion führen.

סוללות המתנה מסוימות מכילות כמות קטנה של ניקל וקדמיום. אין לפרק סוללת המתנה, לטעון אותה מחדש, להשליך אותה לאש או למים או לקצר אותה. יש לשלוק את הסוללה בנדרש על ידי התקנות והחוקים המקומיים. יש להשתמש רק בסוללה המומייעה ברשימת החלקים המתאימה. שימוש בסוללה לא מתאימה עלול לגרום להצתה או התפוצצות של הסוללה.

Alcune batterie di riserva contengono una piccola quantità di nichel e cadmio. Non smontarle, ricaricarle, gettarle nel fuoco o nell'acqua né cortocircuitarle. Smaltirle secondo la normativa in vigore (DPR 915/82, successive disposizioni e disposizioni locali). Quando si sostituisce la batteria dell'RTC (real time clock) o la batteria di supporto, utilizzare soltanto i tipi inseriti nell'appropriato Catalogo parti. L'impiego di una batteria non adatta potrebbe determinare l'incendio o l'esplosione della batteria stessa.

予備バッテリーの中には少量のニッケルとカドミウムが含まれているものがあります。したがって、予備バッテリーの分解、再充電、火または水の中への投棄、またはショートさせることは決して行わないでください。バッテリーを廃棄する場合は地方自治体の条例に従ってください。適切なパーツ・リストにあるバッテリーだけをを使用してください。誤ったバッテリーを使用すると、バッテリーが発火したり、爆発したりすることがあります。

Algunas baterías de reserva contienen una pequeña cantidad de níquel y cadmio. No las desmonte, ni recargue, ni las eche al fuego o al agua ni las cortocircuite. Deséchelas tal como dispone la normativa local. Utilice sólo baterías que se encuentren en la lista de piezas. La utilización de una batería no apropiada puede provocar la ignición o explosión de la misma.

Safety notice 3**⚠ DANGER**

The battery pack contains small amounts of nickel. Do not disassemble it, throw it into fire or water, or short-circuit it. Dispose of the battery pack as required by local ordinances or regulations. Use only the battery in the appropriate parts listing when replacing the battery pack. Use of an incorrect battery can result in ignition or explosion of the battery.

La batterie contient du nickel. Ne la démontez pas, ne l'exposez ni au feu ni à l'eau. Ne la mettez pas en court-circuit. Pour la mettre au rebut, conformez-vous à la réglementation en vigueur. Lorsque vous remplacez la batterie, veillez à n'utiliser que les modèles cités dans la liste de pièces détachées adéquate. En effet, une batterie inappropriée risque de prendre feu ou d'exploser.

Akkus enthalten geringe Mengen von Nickel. Sie dürfen nicht zerlegt, wiederaufgeladen, kurzgeschlossen, oder Feuer oder Wasser ausgesetzt werden. Bei der Entsorgung die örtlichen Bestimmungen für Sondermüll beachten. Beim Ersetzen der Batterie nur Batterien des Typs verwenden, der in der Ersatzteilliste aufgeführt ist. Der Einsatz falscher Batterien kann zu Entzündung oder Explosion führen.

מאז הסוללה מכיל כמות קטנה של ניקל וקדמיום. אין לפרק את מאז הסוללה, להשליך אותו לאש או למים או לקצר אותו. יש לסלק את מאז הסוללה הסוללה כנדרש על ידי התקנות החוקיים המקומיים. יש להשתמש רק בסוללה המוביעה ברשימת החלקים המתאימה בזמן החלפת מאז הסוללה. שימוש בסוללה לא מתאימה עלול לגרום להצתה או התפוצצות של הסוללה.

La batteria contiene piccole quantità di nichel. Non smontarla, gettarla nel fuoco o nell'acqua né cortocircuitarla. Smaltirla secondo la normativa in vigore (DPR 915/82, successive disposizioni e disposizioni locali). Quando si sostituisce la batteria, utilizzare soltanto i tipi inseriti nell'appropriato Catalogo parti. L'impiego di una batteria non adatta potrebbe determinare l'incendio o l'esplosione della batteria stessa.

バッテリー・パックには少量のニッケルが含まれています。バッテリー・パックを分解したり、火または水の中に投げ込んだり、ショートさせないでください。バッテリー・パックの廃棄にあたっては、地方自治体の条例または規則に従ってください。バッテリー・パックを交換するときは、適切なパーツ・リストにあるバッテリーだけを使用してください。誤ったバッテリーを使用すると、バッテリーが発火したり、爆発したりすることがあります。

Las baterías contienen pequeñas cantidades de níquel. No las desmonte, ni recargue, ni las eche al fuego o al agua ni las cortocircuite. Deséchelas tal como dispone la normativa local. Utilice sólo baterías que se encuentren en la lista de piezas al sustituir la batería. La utilización de una batería no apropiada puede provocar la ignición o explosión de la misma.

Safety notice 4

DANGER

The lithium battery can cause a fire, an explosion, or a severe burn. Do not recharge it, remove its polarized connector, disassemble it, heat it above 100°C (212°F), incinerate it, or expose its cell contents to water. Dispose of the battery as required by local ordinances or regulations. Use only the battery in the appropriate parts listing. Use of an incorrect battery can result in ignition or explosion of the battery.

La pile de sauvegarde contient du lithium. Elle présente des risques d'incendie, d'explosion ou de brûlures graves. Ne la rechargez pas, ne retirez pas son connecteur polarisé et ne la démontez pas. Ne l'exposez pas à une température supérieure à 100°C, ne la faites pas brûler et n'en exposez pas le contenu à l'eau. Mettez la pile au rebut conformément à la réglementation en vigueur. Une pile inappropriée risque de prendre feu ou d'exploser.

Die Systematterie ist eine Lithiumatterie. Sie kann sich entzünden, explodieren oder schwere Verbrennungen hervorrufen. Batterien dieses Typs dürfen nicht aufgeladen, zerlegt, über 100 C erhitzt oder verbrannt werden. Auch darf ihr Inhalt nicht mit Wasser in Verbindung gebracht oder der zur richtigen Polung angebrachte Verbindungsstecker entfernt werden. Bei der Entsorgung die örtlichen Bestimmungen für Sondermüll beachten. Beim Ersetzen der Batterie nur Batterien des Typs verwenden, der in der Ersatzteilliste aufgeführt ist. Der Einsatz falscher Batterien kann zu Entzündung oder Explosion führen.

סוללת הליטיום עלולה לגרום לשריפה, להתפוצצות או לפגיעת עקשות. אין לטעון אותה מחדש, לשלק את המחובר המקוטב שלה, למרק אותה או לחמם אותה לטמפרטורה העולה על 100 מעלות צלזיוס. אין לשרוף את הסוללה ואין לחשוף את תוכן התא למים. יש לשלק את הסוללה כנדרש במקנות ובחוקים המקומיים. יש להשתמש רק בסוללה המומייעה ברשימת החלקים המתאימים. שימוש בסוללה אחרת עלול לגרום לשכנת שריפה או התפוצצות.

La batteria di supporto e una batteria al litio e puo incendiarsi, esplodere o procurare gravi ustioni. Evitare di ricaricarla, smontarne il connettore polarizzato, smontarla, riscaldarla ad una temperatura superiore ai 100 gradi centigradi, incendiarla o gettarla in acqua. Smaltirla secondo la normativa in vigore (DPR 915/82, successive disposizioni e disposizioni locali). L'impiego di una batteria non adatta potrebbe determinare l'incendio o l'esplosione della batteria stessa.

リチウム・バッテリーは、火災、爆発、または重症のやけどを引き起こすことがあります。バックアップ・バッテリーの充電、その極性コネクターの取り外し、バッテリー本体の分解、100°C (212°F) 以上への加熱、焼却、電池の中身を水に浸すことはしないでください。バッテリーを廃棄する場合は地方自治体の条例に従ってください。適切なパーツ・リストにあるバッテリーだけを使用してください。誤ったバッテリーを使用すると、バッテリーが発火したり、爆発したりすることがあります。

La batería de repuesto es una batería de litio y puede provocar incendios, explosiones o quemaduras graves. No la recargue, ni quite el conector polarizado, ni la desmonte, ni caliente por encima de los 100°C (212°F), ni la incinerar ni exponga el contenido de sus celdas al agua. Deséchela tal como dispone la normativa local.

Safety notice 5

If the LCD breaks and the fluid from inside the LCD gets into your eyes or on your hands, immediately wash the affected areas with water at least for 15 minutes. Seek medical care if any symptoms caused by the fluid are present after washing.

Si le panneau d'affichage à cristaux liquides se brise et que vous recevez dans les yeux ou sur les mains une partie du fluide, rincez-les abondamment pendant au moins quinze minutes. Consultez un médecin si des symptômes persistent après le lavage.

Die Leuchtstoffröhre im LCD-Bildschirm enthält Quecksilber. Bei der Entsorgung die örtlichen Bestimmungen für Sondermüll beachten. Der LCD-Bildschirm besteht aus Glas und kann zerbrechen, wenn er unsachgemäß behandelt wird oder der Computer auf den Boden fällt. Wenn der Bildschirm beschädigt ist und die darin befindliche Flüssigkeit in Kontakt mit Haut und Augen gerät, sollten die betroffenen Stellen mindestens 15 Minuten mit Wasser abgespült und bei Beschwerden anschließend ein Arzt aufgesucht werden.

אם מסך הנביש הנוזלי (LCD) נשבר והנוזל מתוך המסך בא במגע עם עיניכם או ידיכם, שטפו את האזורים הנוגעים מיד במים במשך 15 דקות לפחות. פנו לקבלת עזרה רפואית אם תסמינים הנובעים מהמגע עם הנוזל נמשכים לאחר השטיפה.

Nel caso che caso l'LCD si dovesse rompere ed il liquido in esso contenuto entrasse in contatto con gli occhi o le mani, lavare immediatamente le parti interessate con acqua corrente per almeno 15 minuti; poi consultare un medico se i sintomi dovessero permanere.

LCD が破損し、LCD 中の液体が目に入ったり、手に触れたりした場合は、液体が触れた部分を少なくとも 15 分間洗い流してください。洗い流した後に、液体によって何らかの症状が現れた場合は、医師の治療を受けてください。

Si la LCD se rompe y el fluido de su interior entra en contacto con sus ojos o sus manos, lave inmediatamente las áreas afectadas con agua durante 15 minutos como mínimo. Obtenga atención medica si se presenta algún sintoma del fluido despues de lavarse.

Safety notice 6

⚠ DANGER

To avoid shock, do not remove the plastic cover that protects the lower part of the inverter card.

Afin d'éviter tout risque de choc électrique, ne retirez pas le cache en plastique protégeant la partie inférieure de la carte d'alimentation.

Aus Sicherheitsgründen die Kunststoffabdeckung, die den unteren Teil der Spannungswandlerplatine umgibt, nicht entfernen.

כדי למנוע התחשמלות, אין להסיר את מכסה הפלסטיק המגן על חלקו התחתון של הכרטיס ההפוך.

Per evitare scosse elettriche, non rimuovere la copertura in plastica che avvolge la parte inferiore della scheda invertitore.

感電を防ぐため、インバーター・カードの下部を保護しているプラスチック・カバーを外さないでください。

Para evitar descargas, no quite la cubierta de plástico que rodea la parte baja de la tarjeta invertida.

Safety notice 7

⚠ DANGER

Though the main batteries have low voltage, a shorted or grounded battery can produce enough current to burn personnel or combustible materials.

Bien que le voltage des batteries principales soit peu élevé, le court-circuit ou la mise à la masse d'une batterie peut produire suffisamment de courant pour brûler des matériaux combustibles ou causer des brûlures corporelles graves.

Obwohl Hauptbatterien eine niedrige Spannung haben, können sie doch bei Kurzschluß oder Erdung genug Strom abgeben, um brennbare Materialien zu entzünden oder Verletzungen bei Personen hervorzurufen.

אף שהסוללות הראשיות הן בעלות מתח נמוך, סוללה מקוצרת או מוארקות עלולה להפיק זרם מספיק לגרימת כוויות או להצתת חומרים דליקים.

Sebbene le batterie di alimentazione siano a basso voltaggio, una batteria in corto circuito o a massa può fornire corrente sufficiente da bruciare materiali combustibili o provocare ustioni ai tecnici di manutenzione.

メイン・バッテリーの電圧は低くても、ショートしたり、接地したバッテリーが、作業者にやけどを負わせたり、可燃物を燃やすだけの電流を発生させる場合があります。

Aunque las baterías principales tienen un voltaje bajo, una batería cortocircuitada o con contacto a tierra puede producir la corriente suficiente como para quemar material combustible o provocar quemaduras en el personal.

Safety notice 8

DANGER

Before removing any FRU, turn off the computer, unplug all power cords from electrical outlets, remove the battery pack, and then disconnect any interconnecting cables.

Avant de retirer une unité remplaçable en clientèle, mettez le système hors tension, débranchez tous les cordons d'alimentation des socles de prise de courant, retirez la batterie et déconnectez tous les cordons d'interface.

Die Stromzufuhr muß abgeschaltet, alle Stromkabel aus der Steckdose gezogen, der Akku entfernt und alle Verbindungskabel abgenommen sein, bevor eine FRU entfernt wird.

לפני סילוק FRU כלשהו, יש לכבות את המחשב, לנתק את כל כבלי החשמל משקעי החשמל, להוציא את מארזי הסוללה, וזו לנתק כבלי חיבור אחרים אם יש כאלה.

Prima di rimuovere qualsiasi FRU, spegnere il sistema, scollegare dalle prese elettriche tutti i cavi di alimentazione, rimuovere la batteria e poi scollegare i cavi di interconnessione.

FRU を取り外す前に、ThinkPad の電源を切って、すべての電源コードをコンセントから外してください。次に、バッテリー・パックを外し、相互接続ケーブルを外してください。

Antes de quitar una FRU, apague el sistema, desenchufe todos los cables de las tomas de corriente eléctrica, quite la batería y, a continuación, desconecte cualquier cable de conexión entre dispositivos.

Laser compliance statement

Some models of Lenovo computer are equipped from the factory with an optical storage device such as a CD-ROM drive or a DVD-ROM drive. Such devices are also sold separately as options. If one of these drives is installed, it is certified in the U.S. to conform to the requirements of the Department of Health and Human Services 21 Code of Federal Regulations (DHHS 21 CFR) Subchapter J for Class 1 laser products. Elsewhere, the drive is certified to conform to the requirements of the International Electrotechnical Commission (IEC) 825 and CENELEC EN 60 825 for Class 1 laser products.

If a CD-ROM drive, a DVD-ROM drive, or another laser device is installed, note the following:

CAUTION

Use of controls or adjustments or performance of procedures other than those specified herein might result in hazardous radiation exposure.

O uso de controles, ajustes ou desempenho de procedimentos diferentes daqueles aqui especificados pode resultar em perigosa exposição à radiação.

凡未在这里指明的任何控制用法、调整、行为，都会导致严重后果。

Pour éviter tout risque d'exposition au rayon laser, respectez les consignes de réglage et d'utilisation des commandes, ainsi que les procédures décrites.

Werden Steuer- und Einstellelemente anders als hier festgesetzt verwendet, kann gefährliche Laserstrahlung auftreten.

Az itt előírt eljárásoktól, beállításoktól és vezérlésektől eltérni a lézersugárzás veszélye miatt kockázatos!

L'utilizzo di controlli, regolazioni o l'esecuzione di procedure diverse da quelle specificate possono provocare l'esposizione a.

Использование элементов настройки и выполнение процедур иных, чем указано здесь, может привести к опасному радиационному облучению.

Použitie kontrol, úprav alebo iných vykonaní od iných výrobcov, ako je v tomto špecifikované, mohlo by mať za následok nebezpečenstvo vystavenia sa vyžiarovaniu.

本書で指定された内容以外の、お客様による整備、調整、または手順を行った場合、レーザー光の放射の危険があります。

El uso de controles o ajustes o la ejecución de procedimientos distintos de los aquí especificados puede provocar la exposición a radiaciones peligrosas.

Opening the CD-ROM drive, the DVD-ROM drive, or any other optical storage device could result in exposure to hazardous laser radiation. There are no serviceable parts inside those drives. **Do not open.**

A CD-ROM drive, a DVD-ROM drive, or any other storage device installed may contain an embedded Class 3A or Class 3B laser diode. Note the following:

⚠ DANGER

Emits visible and invisible laser radiation when open. Do not stare into the beam, do not view directly with optical instruments, and avoid direct exposure to the beam.

Radiação por raio laser ao abrir. Não olhe fixo no feixe de luz, não olhe diretamente por meio de instrumentos óticos e evite exposição direta com o feixe de luz.

开启时会有激光发射时，请勿直视激光束，请勿直接查看视觉仪器，并且避免直接接触在激光光束之中。

Rayonnement laser si carter ouvert. Évitez de fixer le faisceau, de le regarder directement avec des instruments optiques, ou de vous exposer au rayon.

Laserstrahlung bei geöffnetem Gerät. Nicht direkt oder über optische Instrumente in den Laserstrahl sehen und den Strahlungsbereich meiden.

Kinyitáskor lézersugár ! Ne nézzen bele se szabad szemmel, se optikai eszközökkel. Kerülje a sugárnyalábbal való érintkezést!

Apriendo l'unità vengono emesse radiazioni laser. Non fissare il fascio, non guardarlo direttamente con strumenti ottici e evitare l'esposizione diretta al fascio.

Открывая, берегитесь лазерного излучения. Не смотрите на луч, не разглядывайте его с помощью оптических инструментов, а также избегайте прямого воздействия лазерного луча.

Keď je laserová jednotka otvorená. Vyhnite sa priamemu pohľadu a nehladte priamo s optickými nástrojmi do lúča a vyhnite sa priamemu vystaveniu lúčov.

開けるとレーザー光が放射されます。光線を見つめたり、光学機械を使って直接見たりしないでください。

Radiación láser al abrir. No mire fijamente ni examine con instrumental óptico el haz de luz. Evite la exposición directa al haz.

Important service information

This chapter presents the following important service information:

- “Strategy for replacing FRUs” on page 16
 - “Strategy for replacing a hard disk drive” on page 17
 - “Important notice for replacing a system board” on page 17
- “Important information about replacing RoHS compliant FRUs” on page 18

Important:

BIOS and device driver fixes are customer-installable. The BIOS and device drivers are posted on the customer support site:

<http://support.lenovo.com>.

Strategy for replacing FRUs

Before replacing parts:

Make sure that all software fixes, drivers, and BIOS downloads are installed before replacing any FRUs listed in this manual.

After a system board is replaced, ensure that the latest BIOS is loaded to the system board before completing the service action.

To download software fixes, drivers, and BIOS, follow the steps below:

1. Go to <http://support.lenovo.com>.
2. Enter the serial number or select a product or use Lenovo smart downloading.
3. Select the BIOS/Driver/Applications and download.
4. Follow the directions on the screen and install the necessary software.

Use the following strategy to prevent unnecessary expense for replacing and servicing FRUs:

- If you are instructed to replace an FRU, but the replacement does not solve the problem, reinstall the original FRU before you continue.
- Some computers have both a processor board and a system board. If you are instructed to replace either of them, and replacing one of them does not solve the problem, reinstall that board, and then replace the other one.
- If an adapter or a device consists of more than one FRU, any of the FRUs may be the cause of the error. Before replacing the adapter or device, remove the FRUs one by one to see if the symptoms change. Replace only the FRU that changed the symptoms.

Attention: The setup configuration on the computer you are servicing may have been customized. Running Automatic Configuration may alter the settings. Note the current configuration settings (using the View Configuration option); then, when service has been completed, verify that those settings remain in effect.

Strategy for replacing a hard disk drive

Always try to run a low-level format before replacing a hard disk drive. This will cause all customer data on the hard disk to be lost. Make sure that the customer has a current backup of the data before performing this action.

Attention: The drive startup sequence in the computer you are servicing may have been changed. Be extremely careful during write operations such as copying, saving, or formatting. If you select an incorrect drive, data or programs can be overwritten.

Important notice for replacing a system board

Some components mounted on a system board are very sensitive. Improper handling can cause damage to those components, and may cause a system malfunction.

Attention: When handling a system board:

- Do not drop the system board or apply any excessive force to it.
- Avoid rough handling of any kind.
- Avoid bending the system board and hard pushing to prevent cracking at each BGA (Ball Grid Array) chipset.

Important information about replacing RoHS compliant FRUs

RoHS, The Restriction of Hazardous Substances in Electrical and Electronic Equipment Directive (2002/95/EC) is a European Union legal requirement affecting the global electronics industry. RoHS requirements must be implemented on Lenovo products placed on the market after June 2006. Products on the market before June 2006 are not required to have RoHS compliant parts. If the original FRU parts are non-compliant, replacement parts can also be non-compliant. In all cases if the original FRU parts are RoHS compliant, the replacement part must also be RoHS compliant.

Note: RoHS and non-RoHS FRU part numbers with the same fit and function are identified with unique FRU part numbers.

Lenovo plans to transit to RoHS compliance well before the implementation date and expects its suppliers to be ready to support Lenovo's requirements and schedule in the EU. Products sold in 2005 and 2006 will contain some RoHS compliant FRUs. The following statement pertains to these products and any product Lenovo produces containing RoHS compliant FRUs.

RoHS compliant FRUs have unique FRU part numbers. Before or after the RoHS implementation date, failed RoHS compliant parts must always be replaced with RoHS compliant ones, so only the FRUs identified as compliant in the system HMM or direct substitutions for those FRUs may be used.

Products marketed before June 2006		Products marketed after June 2006	
Current or original part	Replacement FRU	Current or original part	Replacement FRU
Non-RoHS	Can be Non-RoHS	Must be RoHS	Must be RoHS
Non-RoHS	Can be RoHS		
Non-RoHS	Can sub to RoHS		
RoHS	Must be RoHS		

Note: A direct substitution is a part with a different FRU part number that is automatically shipped by the distribution center at the time of the order.

General checkout

This chapter presents the following information:

- “What to do first” on page 20
- “Power system checkout” on page 21

Before you go to the checkout, make sure to read the following important notes:

Important notes:

- **Only certified trained personnel can service the computer.**
- **Before replacing any FRU, read the entire page on removing and replacing FRUs.**
- **Carefully remove screws for reuse when replacing FRUs.**
- **Be extremely careful during such write operations as copying, saving, or formatting.** Drives in the computer that you are servicing sequence might have been altered. If you select an incorrect drive, data or programs might be overwritten.
- **Replace an FRU only with another FRU of the correct model.** When you replace an FRU, make sure that the machine model and the FRU part number are correct by referring to the FRU parts list.
- **An FRU should not be replaced just because of a single, unreproducible failure.** Single failures can occur for a variety of reasons that have nothing to do with a hardware defect, such as cosmic radiation, electrostatic discharge, or software errors. Consider replacing an FRU only when a problem recurs. If you suspect that an FRU is defective, clear the error logs and run the test again. If the error does not recur, do not replace the FRU.
- **Be careful not to replace a nondefective FRU.**

What to do first

When you do return an FRU, you must include the following information in the parts exchange form or parts return form that you attach to it:

1. Name and phone number of servicer
2. Date of service
3. Date on which the machine failed
4. Date of purchase
5. Procedure index and page number in which the failing FRU was detected
6. Failing FRU name and part number
7. Machine type, model number, and serial number
8. Customer's name and address

Note for warranty: During the warranty period, the customer may be responsible for repair costs if the computer damage was caused by misuse, accident, modification, unsuitable physical or operating environment, or improper maintenance by the customer.

The following is a list of some common items that are not covered under warranty and some symptoms that might indicate that the system was subjected to stress beyond normal use.

Before checking problems with the computer, determine whether the damage is covered under the warranty by referring to the following list:

The following are not covered under warranty:

- LCD panel cracked from the application of excessive force or from being dropped
- Scratched (cosmetic) parts
- Distortion, deformation, or discoloration of the cosmetic parts
- Plastic parts, latches, pins, or connectors that have been cracked or broken by excessive force
- Damage caused by liquid spilled into the system
- Damage caused by the improper insertion of a PC Card or the installation of an incompatible card
- Improper disk insertion or use of an optical drive
- Diskette drive damage caused by pressure on the diskette drive cover, foreign material in the drive, or the insertion of a diskette with multiple labels
- Damaged or bent diskette eject button
- Fuses blown by attachment of a nonsupported device
- Forgotten computer password (making the computer unusable)
- Sticky keys caused by spilling a liquid onto the keyboard
- Use of an incorrect AC adapter on laptop products

The following symptoms might indicate damage caused by nonwarranted activities:

- Missing parts might be a symptom of unauthorized service or modification.
- If the spindle of a hard disk drive becomes noisy, it may have been subjected to excessive force, or dropped.

Power system checkout

To verify a symptom, follow the steps below:

1. Turn off the computer.
2. Remove the battery pack.
3. Connect the AC adapter.
4. Make sure that power is supplied when you turn on the computer.
5. Turn off the computer.
6. Disconnect the AC adapter and install the charged battery pack.
7. Make sure that the battery pack supplies power when you turn on the computer.

If you suspect a power problem, see the appropriate one of the following power supply checkouts:

- “Checking the AC adapter” on page 21
- “Checking operational charging” on page 21
- “Checking the battery pack” on page 22

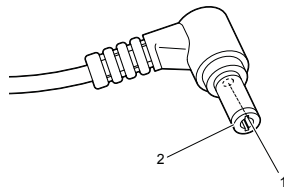
Checking the AC adapter

You are here because the computer fails only when the AC adapter is used.

- If the power-on indicator does not turn on, check the power cord of the AC adapter for correct continuity and installation.
- If the computer does not charge during operation, go to “Checking operational charging”.

To check the AC adapter, follow the steps below:

1. Unplug the AC adapter cable from the computer.
2. Measure the output voltage at the plug of the AC adapter cable. See the following figure:



Pin	Voltage (V DC)
1	+20
2	0

Note: Output voltage for the AC adapter pin No. 2 may differ from the one you are servicing.

3. If the voltage is not correct, replace the AC adapter.
4. If the voltage is acceptable, do the following:
 - Replace the system board.
 - If the problem persists, go to “Lenovo ideapad FLEX 4-1470/ideapad FLEX 4-1435/ideapad FLEX 4-1480/ideapad FLEX 4-1570/ideapad FLEX 4-1580” on page 27.

Note: Noise from the AC adapter does not always indicate a defect.

Checking operational charging

To check whether the battery charges properly during operation, use a discharged battery pack or a battery pack that has less than 50% of the total power remaining when installed in the computer.

Perform operational charging. If the battery status indicator or icon does not light on, remove the battery pack and let it return to room temperature. Reinstall the battery pack. If the charge indicator or icon is still off, replace the battery pack.

If the charge indicator still does not light on, replace the system board. Then reinstall the battery pack. If it is still not charged, go to the next section.

Checking the battery pack

Battery charging does not start until the Power Meter shows that less than 95% of the total power remains; under this condition the battery pack can charge to 100% of its capacity. This protects the battery pack from being overcharged or from having a shortened life.

To check your battery, move your cursor to the Power Meter icon in the icon tray of the Windows® taskbar and wait for a moment (but do not click it), and the percentage of battery power remaining is displayed. To get detailed information about the battery, double-click the Power Meter icon.

Note: If the battery pack becomes hot, it may not be able to be charged. Remove it from the computer and leave it at room temperature for a while. After it cools down, reinstall and recharge it.

Related service information

This chapter presents the following information:

- “Restoring the factory contents by using OneKey Recovery” on page 23
- “Passwords” on page 24
- “Power management” on page 25

Restoring the factory contents by using OneKey Recovery

Restore of factory default

The Lenovo ideapad FLEX 4-1470/ideapad FLEX 4-1435/ideapad FLEX 4-1480/ideapad FLEX 4-1570/ideapad FLEX 4-1580 computers come with pre-installed OneKey Recovery System. In order to save application files and the initial backed up files of the system, the hard disk in a Lenovo computer includes a hidden partition when it is shipped. If you need to restore the system to the point of your first boot up, just enter Lenovo OneKey Recovery System and run **System Recovery**. For details of OneKey Recovery System, see *the User Guide for Lenovo OneKey Recovery system*.

Note: This will delete all the new data on the system partition (C drive), which is not recoverable. Make sure to back up your critical data before you perform this action.

When you use the recovery discs to boot your computer, the system will enter the user interface for system recovery automatically. Please follow the prompt to insert the backup discs to complete the whole recovery process.

Note: The recovery process might take up to 2 hours.

Passwords

As many as three passwords may be needed for any Lenovo computer: the power-on password (POP), the hard disk password (HDP), and the administrator password.

If any of these passwords has been set, a prompt for it appears on the screen whenever the computer is turned on. The computer does not start until the password is entered.

Power-on password

A power-on password (POP) protects the system from being powered on by an unauthorized person. The password must be entered before an operating system can be booted.

Hard-disk password

There are two hard-disk passwords (HDPs):

+ User HDP - for the user

+ Master HDP - for the system administrator, who can use it to get access to the hard disk drive even if the user has changed the user HDP

Attention: If the user HDP has been forgotten, check whether a master HDP has been set. If it has, it can be used for access to the hard disk drive. If no master HDP is available, neither Lenovo nor Lenovo authorized service technicians provide any services to reset either the user or the master HDP, or to recover data from the hard disk drive. The hard disk drive can be replaced for a scheduled fee.

Administrator password

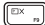
Administrator password controls the access of the whole setup utility. Only after the Administrator password has been set can the User password be set. If Administrator password was cleared, the User password was cleared too.

Power management

Note: Power management modes are not supported for APM operating system.

To reduce power consumption, the computer has three power management modes: screen blank, sleep (standby), and hibernation.

Screen blank state

If the time set on the “Turn off monitor” timer in the operating system expires, the LCD backlight turns off. You can also turn off the LCD backlight by pressing .

To end screen blank state and resume normal operation, press any key on the keyboard.


Putting the computer to sleep or shutting it down

When you have finished working with your computer, you can put it to sleep or shut it down.

Putting your computer to sleep

If you will be away from your computer for only a short time, put the computer to sleep. When the computer is in sleep mode, you can quickly wake it to resume use, bypassing the startup process.

To put the computer to sleep, do one of the following:

- Close the display lid.
- Press the Power button.
- Open the start menu, and then select **Power**  → **Sleep**.


Note: Wait until the power indicator light starts blinking (indicating that the computer is in sleep mode) before you move your computer. Moving your computer while the hard disk is spinning can damage the hard disk, causing loss of data.

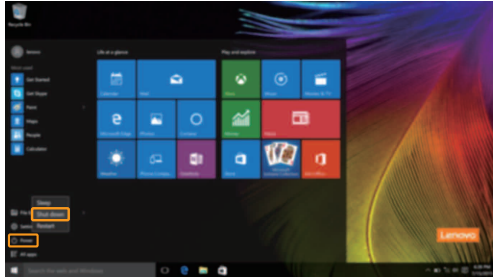
To wake the computer, do one of the following:

- Press any key on the keyboard.
- Press the Power button.

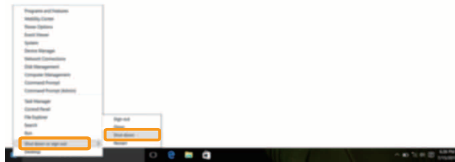
Shutting down the computer

If you are not going to use your computer for a long time, shut it down.
To shut down the computer, do one of the following:

- Open the start menu, and then select **Power**  → **Shut down.**



- Press and hold or right-click the Start button in the lower-left corner and select **Shut down or sign out** → **Shut down.**



Lenovo ideapad FLEX 4-1470/ideapad FLEX 4-1435/ideapad FLEX 4-1480/ideapad FLEX 4-1570/ideapad FLEX 4-1580

This chapter presents the following product-specific service references and product-specific parts information:

- “Specifications” on page 27
- “Status indicators” on page 29
- “Hotkeys” on page 30
- “FRU replacement notices” on page 31
- “Removing and replacing an FRU” on page 32
- “Locations” on page 62
- “Parts list” on page 64

Specifications

The following table lists the specifications of the Lenovo ideapad FLEX 4-1470/ideapad FLEX 4-1435/ideapad FLEX 4-1480/ideapad FLEX 4-1570/ideapad FLEX 4-1580:

Table 1. Specifications

	ideapad FLEX 4-1470/ ideapad FLEX 4-1435/ ideapad FLEX 4-1480	ideapad FLEX 4-1570/ ideapad FLEX 4-1580
Form Factor		
Dimensions	Appr. 338 mm × 234 mm × 20.9 mm	Appr. 380 mm × 255 mm × 21.35 mm
Weight	Appr. 1.75 kg	Appr. 2.08 kg
LCD size	14.0-inch	15.6-inch
Processor		
Processor	View the system properties of your computer. You can do this as follows: Open the Control Panel , and then select System and Security → System .	
Memory		
Speed	2133 MHz	
Maximum supported capacity	16 GB	
Slots	SODIMM × 1	
Hard disk drive		
Form factor	2.5-inch, 7.0 mm or 5 mm	
Interface	SATA II/SATA III	
Display		
Display resolution (LCD)	1,366 × 768 pixels HD/1,920 × 1,080 pixels FHD	
LCD backlight	LED	
Touch Screen	Multi-touch screen	

Table 1. Specifications (continued)

I/O Ports	
USB	USB 2.0 × 1, USB 3.0 × 2
Audio	Combo audio jack × 1
Video/Audio	HDMI port × 1
Ethernet	RJ-45 × 1 (1000 Mbps)
Card reader	Memory card slot (SD/SDHC/SDXC/MMC)
Battery pack	
Type	Li-ion battery pack
Cells/Capacity	2 cells/3 cells, 35 Wh/52.5 Wh
Note: The capacity given here is the typical or average capacity as measured in a specific test environment. Capacities measured in other environments may differ but are no lower than the rated capacity (see product label).	
AC power adapter	
Input	100-240 V, 50-60 Hz AC
Output voltage	20 V DC
Power	DIS 65 W, UMA 45 W or 65 W
Miscellaneous	
Camera	HD (720p)
Security	Kensington Mini Security slot × 1

Status indicators

The system status indicators below show the computer status:

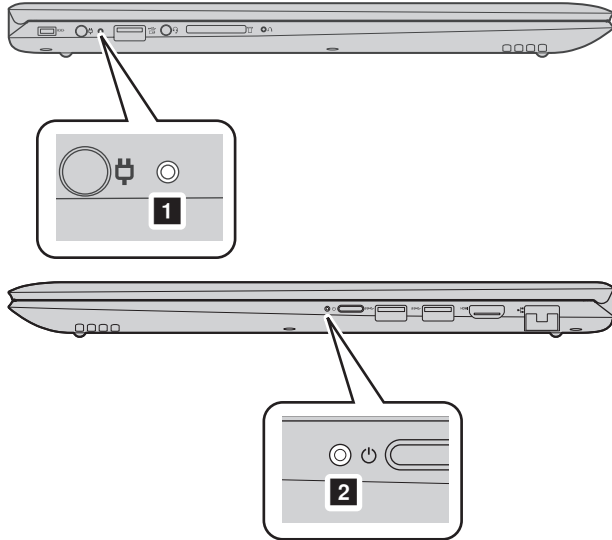



Table 2. Status indicators
Battery/Charging status indicator

AC power adapter status	Indicator status	Meaning
Disconnected	Off	The computer is in sleep mode or turned off; The battery has more than 20% charge.
	Solid amber	The battery has between 5% and 20% charge.
	Fast blinking amber	The battery has between 1% and 5% charge.
Connected	Slow blinking amber	The battery is being charged. When battery charge reaches 20%, the blinking color changes to white.
	Slow blinking white	The battery has between 20% and 80% charge and is still charging. When the battery reaches 80% charge the light will stop blinking.
	Solid white	The battery has more than 80% charge, charging will continue until the battery is fully charged.



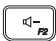





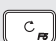



Power status indicator 

Indicator	Indicator status	Meaning
Power status indicator	On (solid white)	The computer is powered on.
	Blinking	The computer is in sleep mode.
	Off	The computer is powered off.

Hotkeys

You can access certain system settings quickly by pressing the appropriate hotkeys.

Table 3. Hotkeys

 : Mutes/unmutes the sound.	 : Enables/disables Airplane mode.
 : Decreases the volume level.	 : Enables/disables the camera.
 : Increases the volume level.	 : Locks/unlocks the currently active window.
 : Enables/disables the microphone.	 : Toggles the display between the computer and an external device.
 : Refreshes the desktop or the currently active window.	 : Decreases the display brightness.
 : Enables/disables the touchpad.	 : Increases the display brightness.

FRU replacement notices

This section presents notices related to removing and replacing parts. Read this section carefully before replacing any FRU.

Screw notices

Loose screws can cause a reliability problem. In the Lenovo computer, this problem is addressed with special nylon-coated screws that have the following characteristics:

- They maintain tight connections.
- They do not easily come loose, even with shock or vibration.
- They are harder to tighten.
- Each one should be used only once.

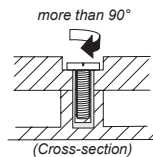
Do the following when you service this machine:

- Keep the screw kit in your tool bag.
- Carefully remove screws for reuse when replacing FRUs.
- Use a torque screwdriver if you have one.

Tighten screws as follows:

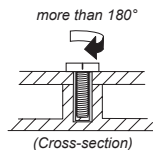
- **Plastic to plastic**

Turn an additional 90° after the screw head touches the surface of the plastic part:



- **Logic card to plastic**

Turn an additional 180° after the screw head touches the surface of the logic card:



- **Torque driver**

If you have a torque screwdriver, refer to the “Torque” column for each step.

- Make sure that you use the correct screws. If you have a torque screwdriver, tighten all screws firmly to the torque shown in the table. **Carefully remove screws for reuse when replacing FRUs. Make sure that all screws are tightened firmly.**
- Ensure torque screwdrivers are calibrated correctly following country specifications.

Removing and replacing an FRU

This section presents exploded figures with the instructions to indicate how to remove and replace the FRU. Make sure to observe the following general rules:

1. Do not attempt to service any computer unless you have been trained and certified. An untrained person runs the risk of damaging parts.
2. Before replacing any FRU, review "FRU replacement notices" on page 31.
3. Begin by removing any FRUs that have to be removed before the failing FRU. Any of such FRUs are listed at the top of the page. Remove them in the order in which they are listed.
4. Follow the correct sequence in the steps to remove the FRU, as given in the figures by the numbers in square callouts.
5. When turning a screw to replace an FRU, turn it in the direction as given by the arrow in the figure.
6. When removing the FRU, move it in the direction as given by the arrow in the figure.
7. To put the new FRU in place, reverse the removal procedures and follow any of the notes that pertain to replacement. For information about connecting and arranging internal cables, see "Locations" on page 62.
8. When replacing an FRU, use the correct screw as shown in the procedures.

DANGER

Before removing any FRU, turn off the computer, unplug all power cords from electrical outlets, remove the battery pack, and then disconnect any of the interconnecting cables.

Attention: After replacing an FRU, do not turn on the computer until you have made sure that all screws, springs, and other small parts are in place and none are loose inside the computer. Verify this by shaking the computer gently and listening for rattling sounds. Metallic parts or metal flakes can cause electrical short circuits.

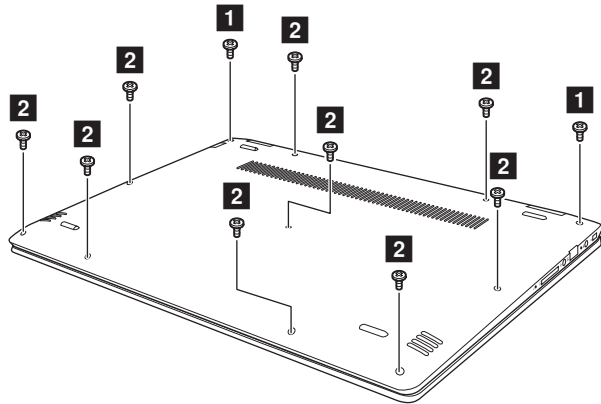
Attention: The system board is sensitive to, and can be damaged by, electrostatic discharge. Before touching it, establish personal grounding by touching a ground point with one hand or using an electrostatic discharge (ESD) strap (P/N 6405959) to remove potential shock reasons.

1010 Base cover

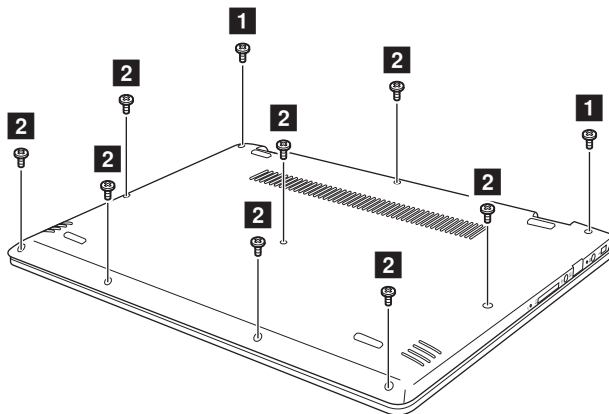
Figure 1. Removal steps of base cover

Remove the screws ■ and ■.

ideapad FLEX 4-1570:



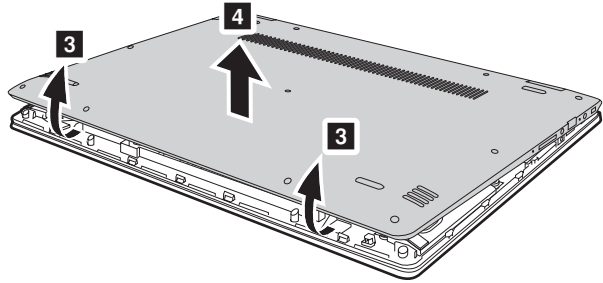
ideapad FLEX 4-1470:



Step	Screw (quantity)	Color	Torque
■	M2 × 6 mm, Phillips-head, nylok-coated (8) (ideapad FLEX 4-1470)	Black/ Silver	1.85+/-0.15kgf-cm
	M2 × 9.5 mm, Phillips-head, nylok-coated (2)		3.0+/-0.3kgf-cm
	M2 × 6 mm, Phillips-head, nylok-coated (9) (ideapad FLEX 4-1570)		1.85+/-0.15kgf-cm

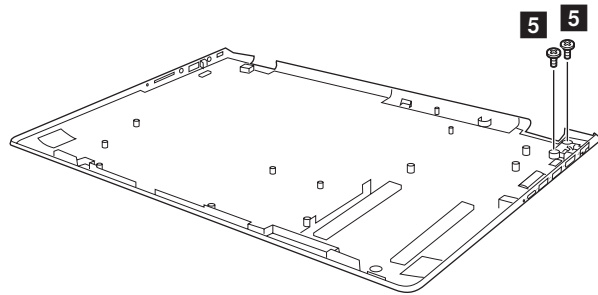
Figure 1. Removal steps of base cover (continued)

Remove the base cover in the directions shown by arrows 3 and 4.



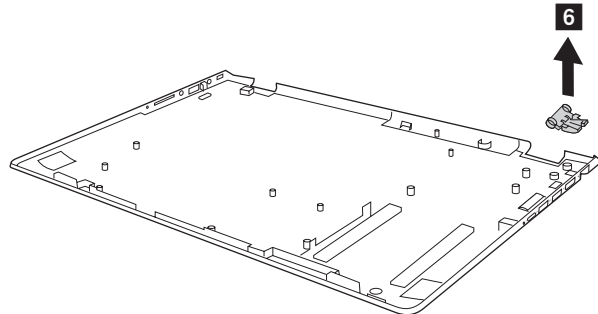
Attention: When removing the base cover, be careful of the sharp aluminum thin edge of the upper case. Otherwise, hand injury may occur.

Remove the screws 5.



Step	Screw (quantity)	Color	Torque
5	M2 × 3 mm, Phillips-head, nylok-coated (2) RJ45 cover---cover	Black	1.85+/-0.15kgf-cm

Remove the RJ-45 door in the direction shown by arrow 6.



Note: Applying labels to the base cover

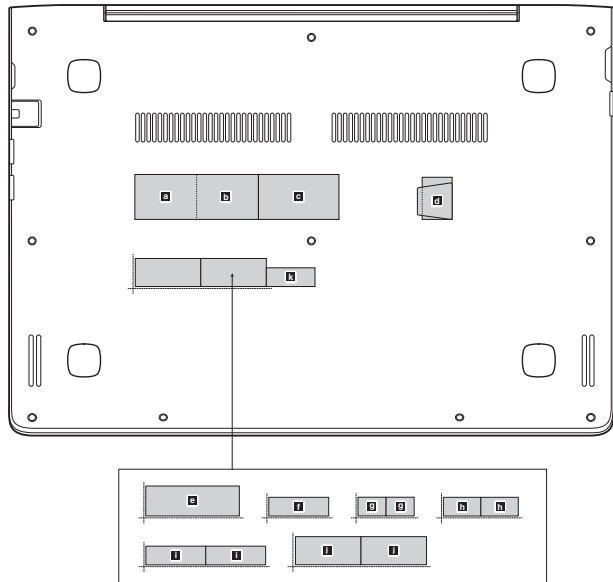
The new base cover FRU is shipped with a kit containing labels of several kinds. When you replace the base cover, you need to apply the following labels:

The following labels need to be peeled off from the old base cover and put on the new base cover.

- | | | | |
|----------|--------------|----------|--------------------------------------|
| a | Rating label | g | Wlan/BT label for Malaysia/Indonesia |
| b | Rating label | h | Wlan/BT label for South Africa |
| c | Rating label | i | Wlan/BT label for Israel/US/CA/TW |
| d | GML label | j | Wlan/BT label for Brazil |
| e | KCC label | k | Indonesia D side label |
| f | BIS label | | |

For some models, you also need to apply one or two FCC labels. Check the old base cover; if it has one or two FCC labels, find duplicates of them in the label kit and apply them to the new base cover.

For the location of each label, refer to the following figures:



1020 Battery pack

⚠ DANGER

Only use the battery specified in the parts list for your computer. Any other battery could ignite or explode.

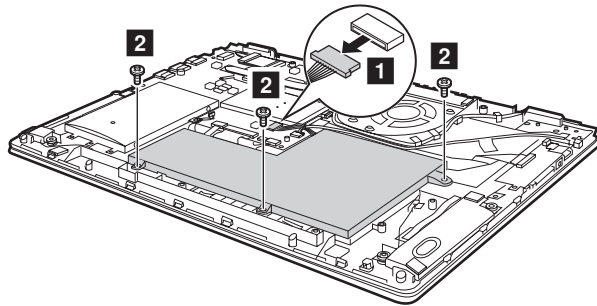
For access, remove this FRU:

- “1010 Base cover” on page 33

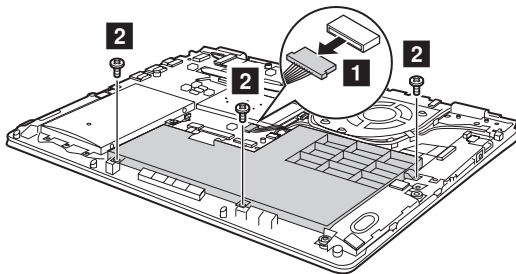
Figure 2. Removal steps of battery pack

Detach the battery pack connector in the direction shown by arrow **1**, remove the screws **2**.

ideapad FLEX 4-1570:



ideapad FLEX 4-1470:

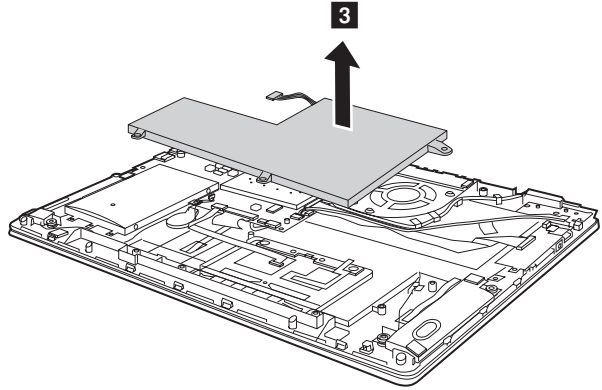


Step	Screw (quantity)	Color	Torque
2	M2 × 3.5 mm, Phillips-head, nylok-coated (3) battery---log up	Silver	1.85±/0.15kgf-cm

Lenovo ideapad FLEX 4-1470/ideapad FLEX 4-1435/ideapad FLEX 4-1480/ideapad FLEX 4-1570/ideapad FLEX 4-1580

Figure 2. Removal steps of battery pack (continued)

Remove the battery pack in the direction shown by arrow **3**.



1030 PCI Express Mini Card for wireless LAN

For access, remove these FRUs in order:

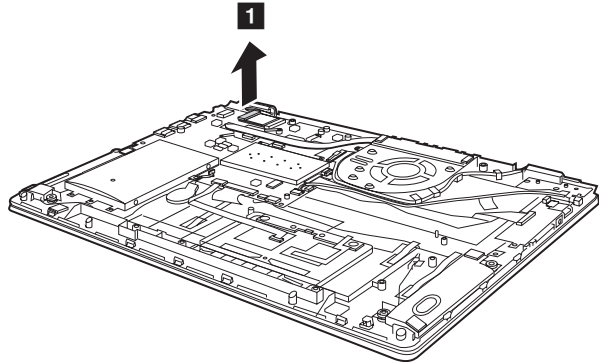
- “1010 Base cover” on page 33
- “1020 Battery pack” on page 36

Important:

The preinstalled WLAN module may only be replaced with a Lenovo approved module in order to comply with FCC and IC regulations. Refer to Table 4 “Parts list—Overall” on page 65 for Lenovo part numbers for the approved modules.

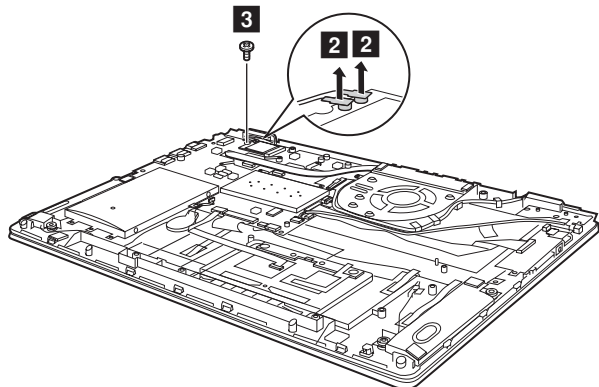
Figure 3. Removal steps of PCI Express Mini Card for wireless LAN

Remove the WLAN card mylar.



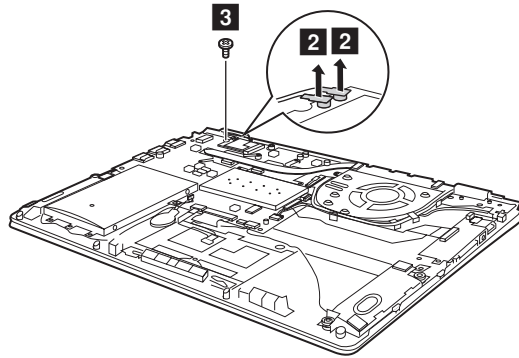
Disconnect the two wireless LAN cables (black, white) **2**, and then remove the screw **3**.

ideapad FLEX 4-1570:



Lenovo ideapad FLEX 4-1470/ideapad FLEX 4-1435/ideapad FLEX 4-1480/ideapad FLEX 4-1570/ideapad FLEX 4-1580

Figure 3. Removal steps of PCI Express Mini Card for wireless LAN (continued) ideapad FLEX 4-1470:



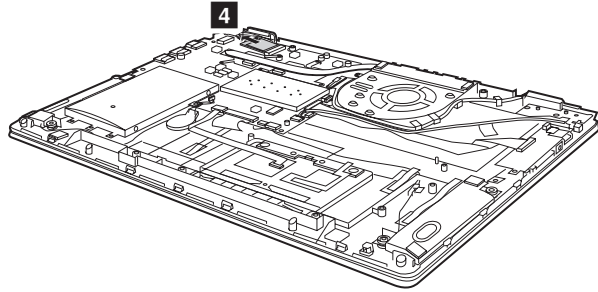
In step ■, unplug the jacks by using the removal tool antenna RF connector (P/N: 08K7159), or pick up the connectors with your fingers and gently unplug them in the direction shown by the arrows.

Notes: The wireless LAN card has 2 cables in step ■.
The wireless LAN card in some models might have 3 cables in step ■.

Step	Screw (quantity)	Color	Torque
3	M2 × 3 mm, Phillips-head, nylok-coated (1) wireless card—log up	Black	1.85+/-0.15kgf-cm

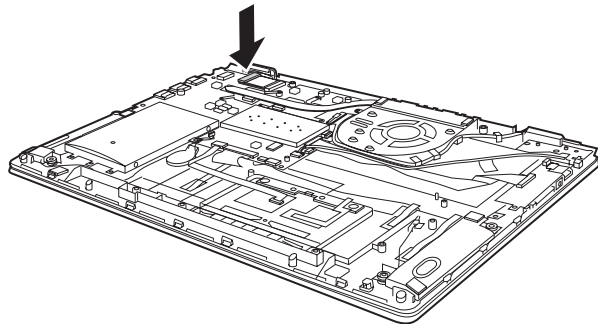
Figure 3. Removal steps of PCI Express Mini Card for wireless LAN (continued)

Remove the card in the direction shown by arrow **4**.



When installing:

- In models with a wireless LAN card that has two antenna connectors, plug the black cable (1st) (MAIN) into the jack labeled **MAIN**, and the grey cable (2nd) (AUX) into the jack labeled **AUX** on the card.
- In models with a wireless LAN card that has three antenna connectors, plug the black cable (1st) (MAIN) into the jack labeled **1**, the grey cable (3rd) into the jack labeled **3**, and the white cable (2nd) (AUX) into the jack labeled **2** on the card.
- Apply the sponge to the card as shown below.



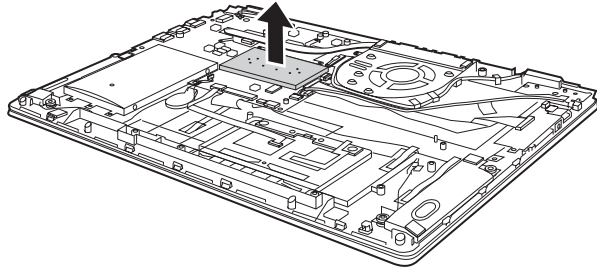
1040 DIMM

For access, remove these FRUs in order:

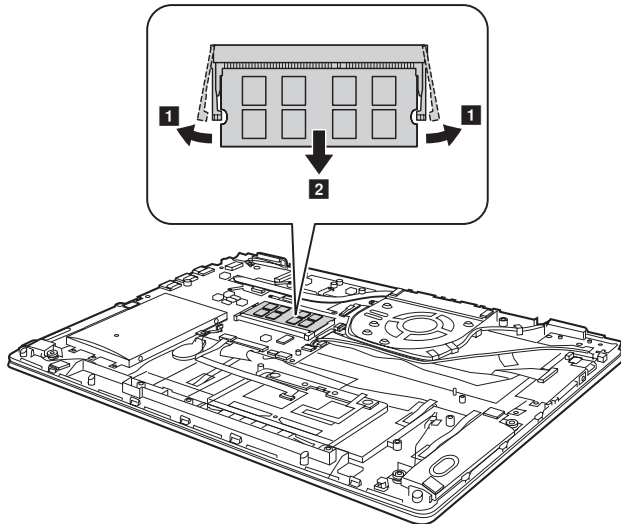
- “1010 Base cover” on page 33
- “1020 Battery pack” on page 36

Figure 4. Removal steps of DIMM

Remove the DIMM cover with fingers as shown.



Release the two latches on both edges of the socket at the same time in the directions shown by arrows **1**, and then unplug the DIMM in the direction shown by arrow **2**.



When installing: Insert the notched end of the DIMM into the socket. Push the DIMM firmly, and pivot it until it snaps into place. Make sure that it is firmly fixed in the slot and is difficult to move.

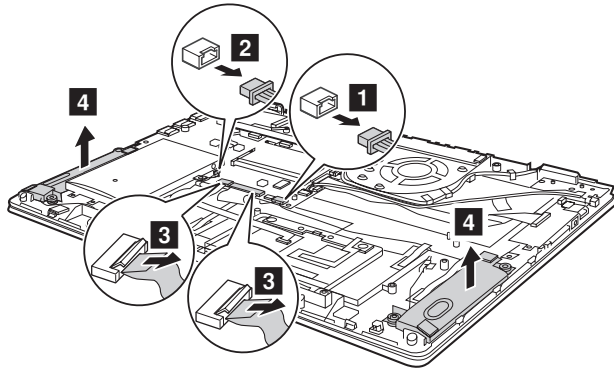
1050 Speakers

For access, remove these FRUs in order:

- “1010 Base cover” on page 33
- “1020 Battery pack” on page 36

Figure 5. Removal steps of speakers

Detach the speakers connector in the direction shown by arrow **1**. Unplug the back-up battery connector in the direction shown by arrow **2**, detach the touch pad and keyboard connector in the direction shown by arrow **3**. Then remove the speakers **4**.



1060 Hard disk drive

For access, remove these FRUs in order:

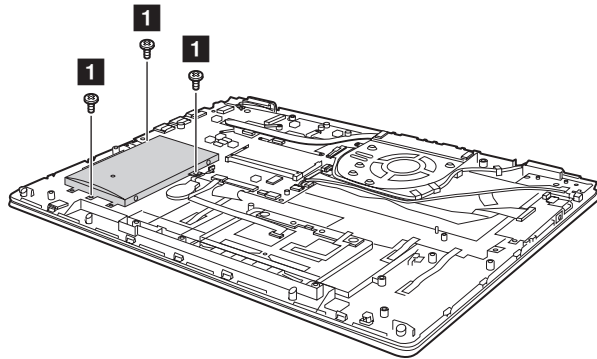
- “1010 Base cover” on page 33
- “1020 Battery pack” on page 36
- “1050 Speakers” on page 42

Attention:

- **Do not drop the hard disk drive or apply any physical shock to it.** The hard disk drive is sensitive to physical shock. Improper handling can cause damage and permanent loss of data.
- Before removing the drive, suggest the customer to backup all the information on it if possible.
- Never remove the drive while the system is operating or in suspend mode.

Figure 6. Removal steps of hard disk drive

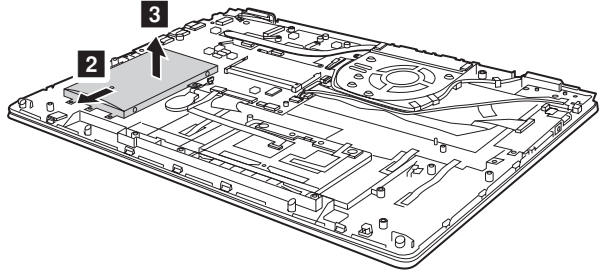
Remove the screws ■.



Step	Screw (quantity)	Color	Torque
■	M2 × 3.5 mm, Phillips-head, nylok-coated (3) hdd bracket---log up	Silver	1.85+/-0.15kgf-cm

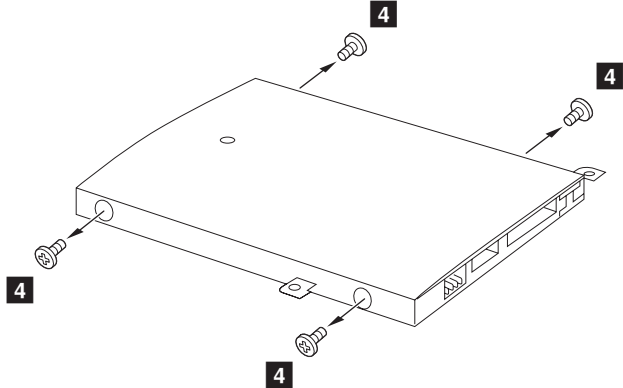
Figure 6. Removal steps of hard disk drive (continued)

Detach the HDD connector in the direction shown by arrow **2**. Remove the hard disk drive from the slot in the direction shown by arrow **3**.



When installing: Make sure that the HDD connector is attached firmly.

Remove the screws **4** and detach the metal frame from the hard disk drive.



Step	Screw (quantity)	Color	Torque
4	M3 × 3 mm, Phillips-head, nylok-coated (4) hdd bracket---hdd module	Silver	3.0+/-0.3kgf-cm

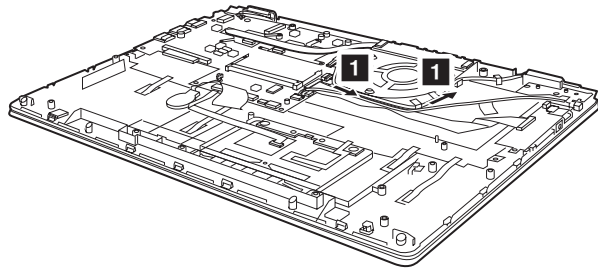
1070 Fan assembly and Heat Sink assembly

For access, remove these FRUs in order:

- “1010 Base cover” on page 33
- “1020 Battery pack” on page 36

Figure 7. Removal steps of fan assembly and Heat Sink assembly

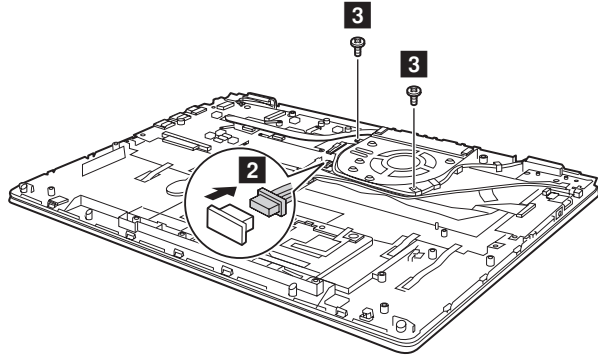
Release the cables from the cable guides in the direction shown by arrows ■.



When installing: Route the antenna cables along the cable guides. As you route the cables, make sure that they are not subjected to any tension. Tension could cause the cables to be damaged by the cable guides, or a wire to be broken.

Figure 7. Removal steps of fan assembly and Heat Sink assembly (continued)

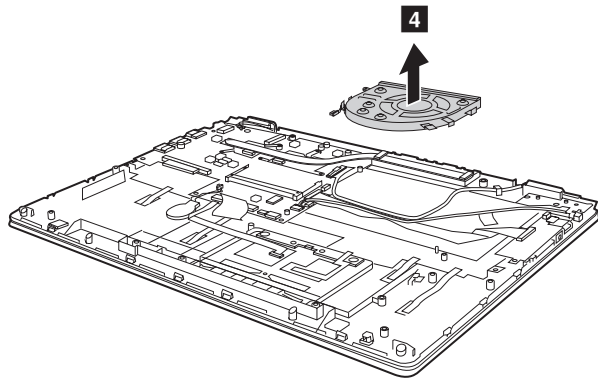
Unplug the fan connector in the direction shown by arrow **2**. Remove the screws **3**.



Step	Screw (quantity)	Color	Torque
3	M2 × 3.5 mm, Phillips head, nylok-coated (2) fan—mb—log up & fan—log up	Silver	1.85+/-0.15kgf-cm

When installing: Make sure that the connector is attached firmly.

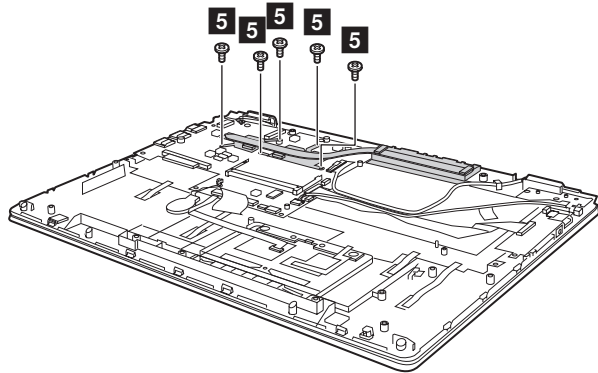
Remove the fan in the direction shown by arrow **4**. Be careful not to damage the connector.



Lenovo ideapad FLEX 4-1470/ideapad FLEX 4-1435/ideapad FLEX 4-1480/ideapad FLEX 4-1570/ideapad FLEX 4-1580

Figure 7. Removal steps of fan assembly and Heat Sink assembly (continued)

Remove the screws **5**.



Step	Screw (quantity)	Color	Torque
5	M2 × 3 mm, Phillips head, nylok-coated (5) cpu thermal module—cpu plate & vga thermal module—MB	Black	1.85+/-0.15kgf-cm

Lift the heat sink in the direction shown by arrows **6**.

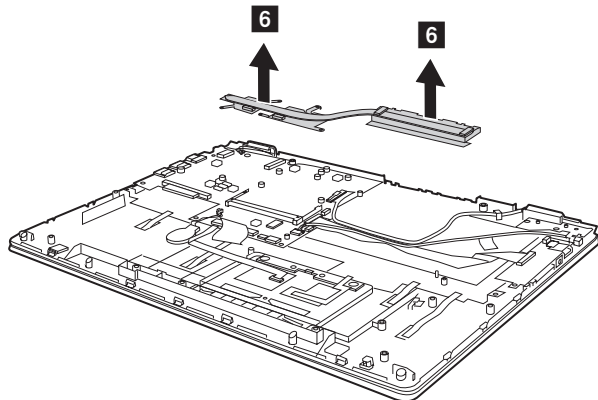
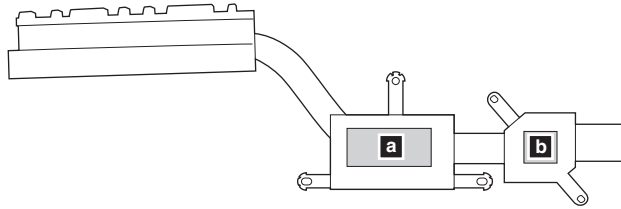


Figure 7. Removal steps of fan assembly and Heat Sink assembly (continued)



When installing: Before you attach the fan assembly to the computer, apply thermal grease, at an amount of 0.2 grams, to the **a b** part shown in the figure above. Either too much or too little grease application can cause a thermal problem due to imperfect contact with a component.

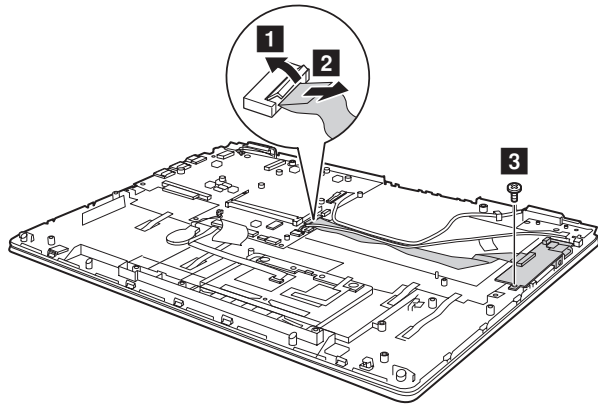
1080 IO board, DC-in cable

For access, remove these FRUs in order:

- “1010 Base cover” on page 33
- “1020 Battery pack” on page 36
- “1070 Fan assembly and Heat Sink assembly” on page 45

Figure 8. Removal steps of IO board, DC-in cable

Detach the IO board connector in the directions shown by arrows **1** and **2**. Remove the screw **3**.

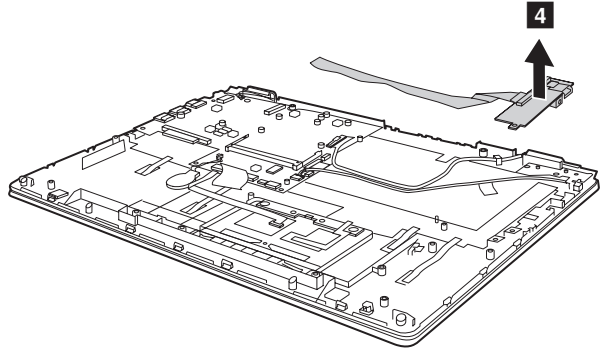


Step	Screw (quantity)	Color	Torque
3	M2 × 3.5 mm, Phillips-head, nylok-coated (1) io board---log up	Silver	1.85+/-0.15kgf-cm

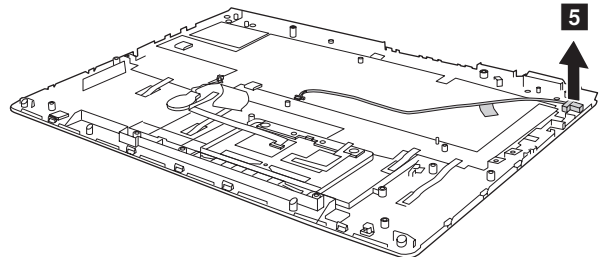
When installing: Make sure that the connector is attached firmly.

Figure 8. Removal steps of IO board, DC-in cable (continued)

Remove the IO board in the direction shown by arrow **4**.



Remove the DC-in cable in the direction shown by arrow **5**.



When installing: Make sure that the connector is attached firmly.

1090 System board

Important notices for handling the system board:

When handling the system board, bear the following in mind.

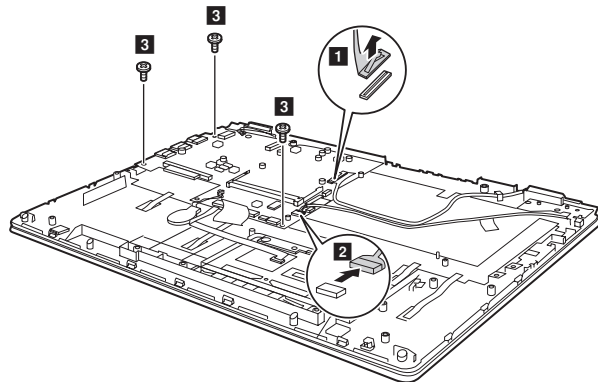
- Be careful not to drop the system board on a bench top that has a hard surface, such as metal, wood, or composite.
- Avoid rough handling of any kind.
- During the whole process, make sure not to drop or stack the system board.
- If you put a system board down, make sure to put it only on a padded surface such as an ESD mat or conductive corrugated material.

For access, remove these FRUs in order:

- “1010 Base cover” on page 33
- “1020 Battery pack” on page 36
- “1030 PCI Express Mini Card for wireless LAN” on page 38
- “1050 Speakers” on page 42
- “1060 Hard disk drive” on page 43
- “1070 Fan assembly and Heat Sink assembly” on page 45
- “1080 IO board, DC-in cable” on page 49

Figure 9. Removal steps of system board

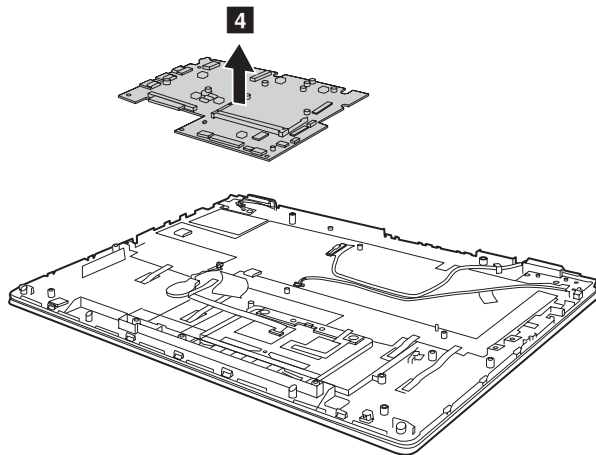
Disconnect the connectors in the directions shown by arrows **1**, **2**. Then remove the screws **3**.



Step	Screw (quantity)	Color	Torque
3	M2 × 3.5 mm, Phillips-head, nylok-coated (3) M/B--log up	Silver	1.85+/-0.15kgf-cm

Figure 9. Removal steps of system board (continued)

Remove the system board in the direction shown by arrow **4**.



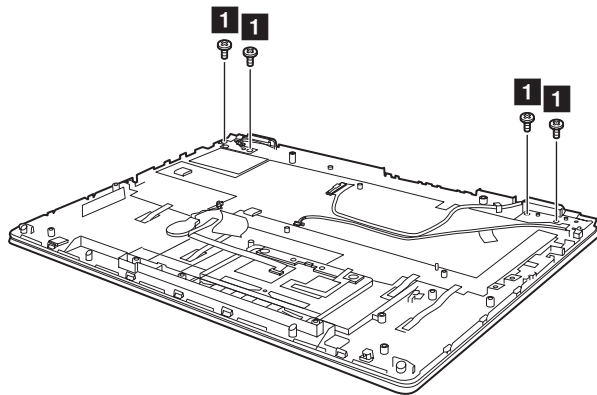
1100 Upper case

For access, remove these FRUs in order:

- “1010 Base cover” on page 33
- “1020 Battery pack” on page 36
- “1030 PCI Express Mini Card for wireless LAN” on page 38
- “1050 Speakers” on page 42
- “1060 Hard disk drive” on page 43
- “1070 Fan assembly and Heat Sink assembly” on page 45
- “1080 IO board, DC-in cable” on page 49
- “1090 System board” on page 51

Figure 10. Removal steps of upper case

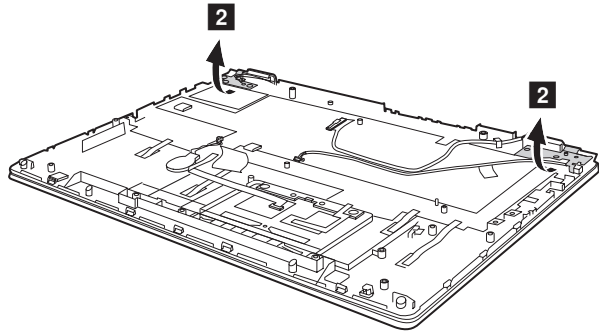
Remove the screws ■.



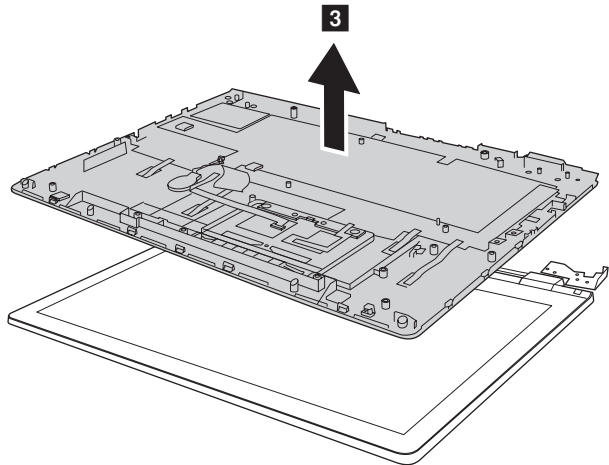
Step	Screw (quantity)	Color	Torque
■	M2.5 × 4 mm, Phillips-head, nylok-coated (4) left side hinge---log up & right side hinge---log up	Silver	3.0+/-0.3kgf-cm

Figure 10. Removal steps of upper case (continued)

Open the hinge in the direction shown by arrows **2**.



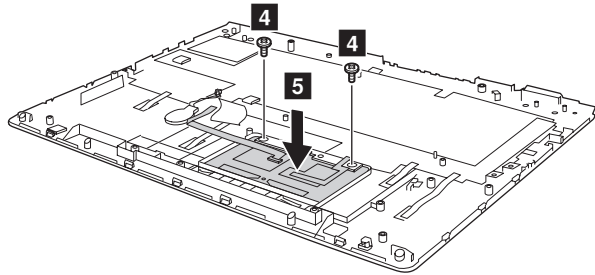
Remove the upper case from the LCD module in the directions shown by arrow **3**.



Lenovo ideapad FLEX 4-1470/ideapad FLEX 4-1435/ideapad FLEX 4-1480/ideapad FLEX 4-1570/ideapad FLEX 4-1580

Figure 10. Removal steps of upper case (continued)

Remove the screws **4**. Then remove the touchpad module **5**.



Step	Screw (quantity)	Color	Torque
4	M2 × 2 mm, Phillips-head, nylok-coated (2) tp bracket---log up	Black	1.85+/-0.15kgf-cm

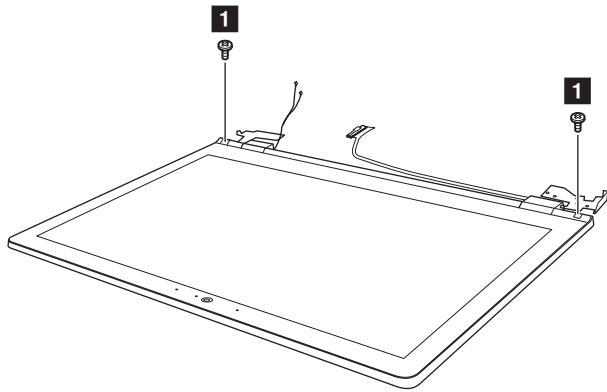
1110 LCD unit

For access, remove these FRUs in order:

- “1010 Base cover” on page 33
- “1020 Battery pack” on page 36
- “1030 PCI Express Mini Card for wireless LAN” on page 38
- “1050 Speakers” on page 42
- “1060 Hard disk drive” on page 43
- “1070 Fan assembly and Heat Sink assembly” on page 45
- “1080 IO board, DC-in cable” on page 49
- “1090 System board” on page 51
- “1100 Upper case” on page 53

Figure 11. Removal steps of LCD unit

Remove the screws ■.

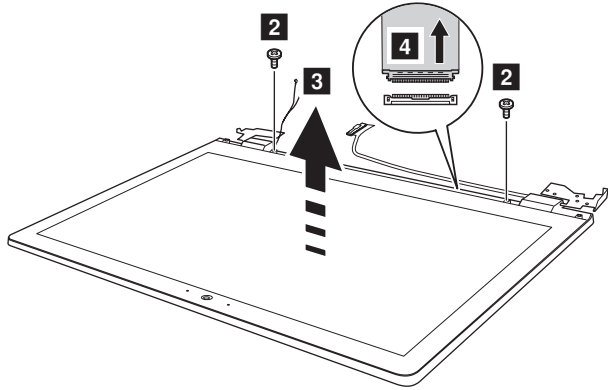


Step	Screw (quantity)	Color	Torque
■	M2 × 3.5 mm, Phillips-head, nylok-coated (2) lcd bezel---lcd brk---lcd cover	Silver	1.85+/-0.15kgf-cm

Lenovo ideapad FLEX 4-1470/ideapad FLEX 4-1435/ideapad FLEX 4-1480/ideapad FLEX 4-1570/ideapad FLEX 4-1580

Figure 11. Removal steps of LCD unit (continued)

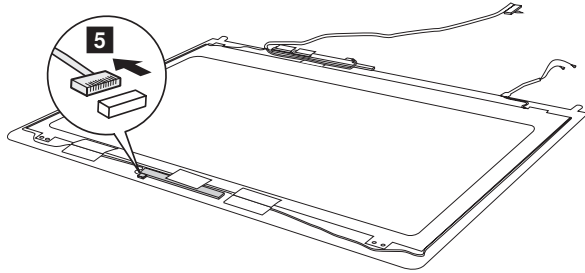
Remove the screws **2**. Lift the LCD module slightly **3**. Disconnect the connector in the direction shown by arrow **4**. Then remove the LCD module.



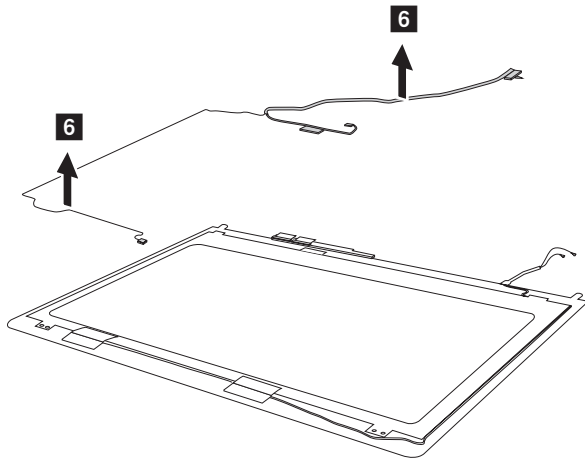
Step	Screw (quantity)	Color	Torque
2	M2 × 3.5 mm, Phillips-head, nylok-coated (2) lcd panel→lcd cover	Silver	1.85+/-0.15kgf-cm

Figure 11. Removal steps of LCD unit (continued)

Detach the camera connector in the direction shown by arrow **5**.



Remove the LCD cable in the direction shown by arrows **6**.



When installing: Make sure that the connector is attached firmly and that you do not pinch the antenna cables when you attach the LCD assembly. Route the LCD cable along the cable guides.

1120 Integrated camera, antenna assembly and LCD hinges

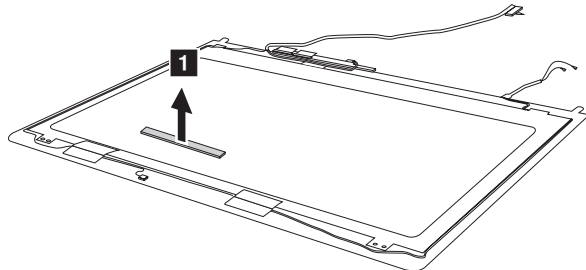
For access, remove these FRUs in order:

- “1010 Base cover” on page 33
- “1020 Battery pack” on page 36
- “1030 PCI Express Mini Card for wireless LAN” on page 38
- “1050 Speakers” on page 42
- “1060 Hard disk drive” on page 43
- “1070 Fan assembly and Heat Sink assembly” on page 45
- “1080 IO board, DC-in cable” on page 49
- “1090 System board” on page 51
- “1100 Upper case” on page 53
- “1110 LCD unit” on page 56

Figure 12. Removal steps of integrated camera, antenna assembly and LCD hinges

Note: The integrated camera is stuck on the top center of the LCD cover.

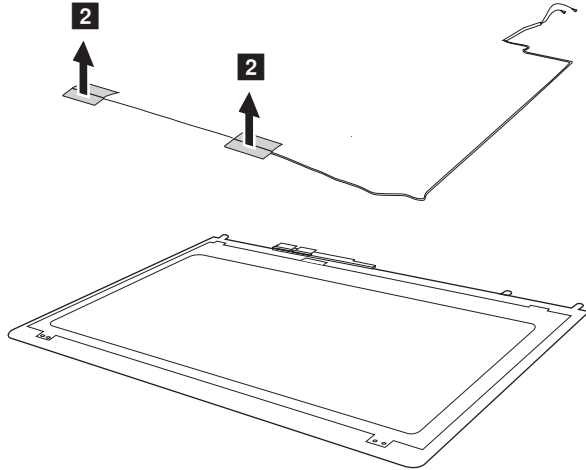
Remove the integrated camera in the direction shown by arrow ■.



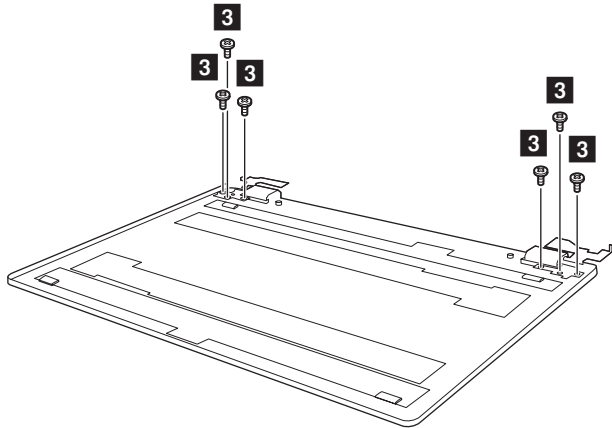
When installing: Stick the integrated camera to the top center of the LCD cover and adjust its placement to make sure the connector is attached firmly.

Figure 12. Removal steps of integrated camera, antenna assembly and LCD hinges (continued)

Peel off the adhesive tape securing the antenna boards, release the cables from the cable guide, and then remove the antenna assembly in the direction shown by arrows **2**.



Remove the screws **3**.

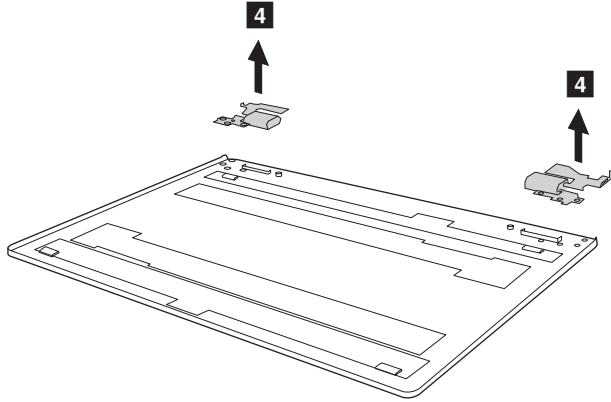


Step	Screw (quantity)	Color	Torque
3	M2.5 x 2.5 mm, Phillips-head, nylok-coated (6) lcd brk---lcd cover	Black	3.0+/-0.3kgf-cm

Lenovo ideapad FLEX 4-1470/ideapad FLEX 4-1435/ideapad FLEX 4-1480/ideapad FLEX 4-1570/ideapad FLEX 4-1580

Figure 12. Removal steps of integrated camera, antenna assembly and LCD hinges (continued)

Remove the LCD hinges in the direction shown by arrows 4.

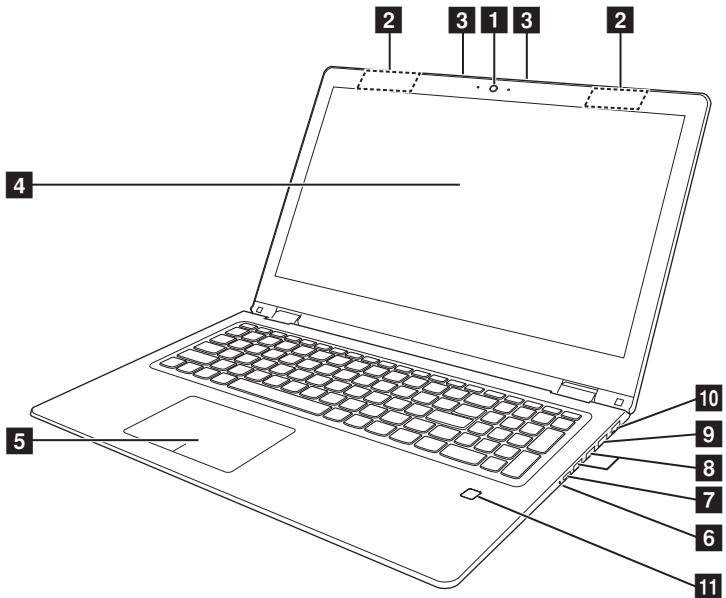


Locations

Front view and right-side view

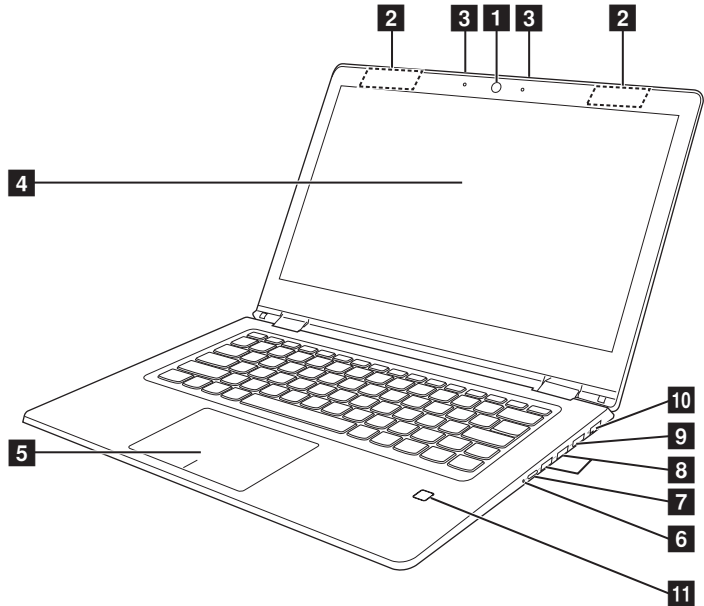
- Integrated camera
- 2 Wireless LAN antennas
- 3 Built-in microphone
- 4 Multi-touch screen
- 5 Touchpad
- 6 Power status indicator
- 7 Power button
- 8 USB port
- 9 HDMI port
- 10 RJ-45 port
- 11 Fingerprint reader (on select models)

Lenovo ideapad FLEX 4-1570/ideapad FLEX 4-1580:



Lenovo ideapad FLEX 4-1470/ideapad FLEX 4-1435/ideapad FLEX 4-1480/ideapad FLEX 4-1570/ideapad FLEX 4-1580

ideapad FLEX 4-1470/ideapad FLEX 4-1435/ideapad FLEX 4-1480:

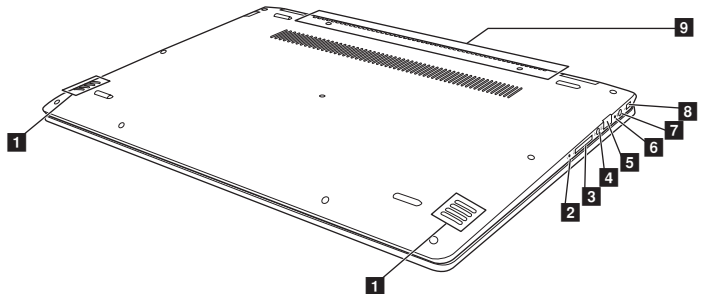


Bottom and Left-side view

- Speakers
- 2 Novo button
- 3 Memory card slot
- 4 Combo audio jack
- 5 USB port
- 6 Battery/Charging status indicator

Note: For the description of each indicator, see “Status indicators” on page 29.

- 7 AC power adapter jack
- 8 Kensington Mini Security slot
- 9 Ventilation slots



Parts list

This section presents the following service parts:

- “Overall” on page 65
- “LCD FRUs” on page 73
- “Miscellaneous parts” on page 76
- “AC adapters” on page 76
- “Screws” on page 77
- “Power cords” on page 71

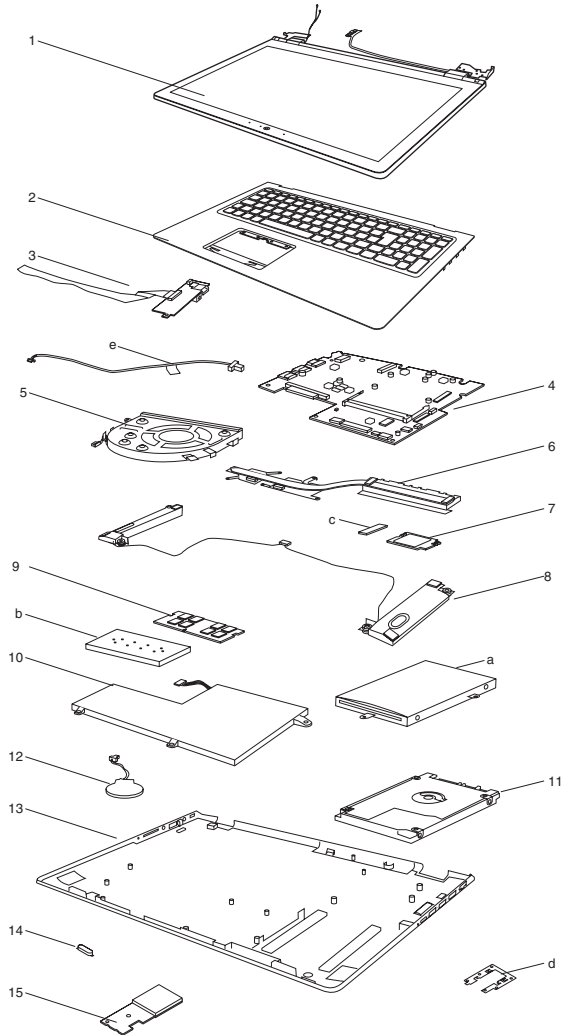
Note:

Each FRU is available for all types or models, unless specific types or models are specified.

Attention:

Do not attempt to replace an FRU on your own. If an FRU is damaged, contact a Lenovo authorized servicer or a marketing representative for replacement or repair. Only qualified technicians can inspect or repair this product.

Overall



ideapad FLEX 4-1470/ideapad FLEX 4-1435/ideapad FLEX 4-1480/ideapad FLEX 4-1570/ideapad FLEX 4-1580 Hardware Maintenance Manual

Table 4. Parts list—Overall

No.	FRU	FRU no.	CRU ID.	ideapad FLEX 4-1470	ideapad FLEX 4-1570	ideapad FLEX 4-1435	ideapad FLEX 4-1480	ideapad FLEX 4-1580
a-d	See "Miscellaneous parts" on page 76.							
1	LCD unit (see "LCD FRUs" on page 73).							
2	Upper_Case C 80S7 BL BK W/KB US	5CB0L46004	N	•		•		
2	Upper_Case C 80S7 BL BK W/KB GRE	5CB0L45875		•		•		
2	Upper_Case C 80S7 BL BK W/KB USI	5CB0L46027		•		•		
2	Upper_Case C 80S7 BL BK W/KB KOR	5CB0L45976		•		•		
2	Upper_Case C 80S7 BL BK W/KB TC	5CB0L46066		•		•		
2	Upper_Case C 80S7 BL BK W/KB RU	5CB0L45940		•		•		
2	Upper_Case C 80S7 BL BK W/KB ARA	5CB0L46041		•		•		
2	Upper_Case C 80S7 BL BK W/KB HEB	5CB0L45861		•		•		
2	Upper_Case C 80S7 BL BK W/KB THA	5CB0L46047		•		•		
2	Upper_Case C 80S7 BL BK W/KB ID	5CB0L45876		•		•		
2	Upper_Case C 80S7 BL BK W/KB UK	5CB0L45979		•		•		
2	Upper_Case C 80S7 BL BK W/KB ITA	5CB0L46055		•		•		
2	Upper_Case C 80S7 BL BK W/KB SPA	5CB0L45873		•		•		
2	Upper_Case C 80S7 BL BK W/KB TUR	5CB0L45890		•		•		
2	Upper_Case C 80S7 BL BK W/KB POR	5CB0L45990		•		•		
2	Upper_Case C 80S7 BL BK W/KB LSP	5CB0L46034		•		•		
2	Upper_Case C 80S7 BL BK W/KB CFEn	5CB0L46014		•		•		
2	Upper_Case C 80S7 BL BK W/KB NOD	5CB0L45906		•		•		
2	Upper_Case C 80S7 BL BK W/KB FR	5CB0L45916		•		•		
2	Upper_Case C 80S7 BL BK W/KB GE	5CB0L46011		•		•		
2	Upper_Case C 80S7 BL BK W/KB BRA	5CB0L45931		•		•		
2	Upper_Case C 80S7 BL BK W/KB DUT	5CB0L45872		•		•		
2	Upper_Case C 80S7 BL BK W/KB HUN	5CB0L45892		•		•		
2	Upper_Case C 80S7 BL BK W/KB BEL	5CB0L46049		•		•		
2	Upper_Case C 80S7 BL BK W/KB ILD	5CB0L45991		•		•		
2	Upper_Case C 80S7 BL BK W/KB SLE	5CB0L46007		•		•		
2	Upper_Case C 80S7 BL BK W/KB SW	5CB0L45992		•		•		
2	Upper_Case C 80S7 BL BK W/KB BUL	5CB0L45989		•		•		
2	Upper_Case C 80S7 BLBKZCH-SLK	5CB0L46009		•		•		
2	Upper_Case C 80S7 BLBK W/KB FR-AR	5CB0L46074		•		•		
2	Upper_Case C 80S7 BL BK W/KB USA	5CB0L45946		•		•		
2	Upper_Case C 80S7 NBL BK W/KB US	5CB0L45915		•		•		
2	Upper_Case C 80S7 NBL BK W/KB GRE	5CB0L45874		•		•		
2	Upper_Case C 80S7 NBL BK W/KB USI	5CB0L46060		•		•		
2	Upper_Case C 80S7 NBL BK W/KB KOR	5CB0L46067		•		•		
2	Upper_Case C 80S7 NBL BK W/KB TC	5CB0L45955		•		•		
2	Upper_Case C 80S7 NBL BK W/KB RU	5CB0L45860		•		•		
2	Upper_Case C 80S7 NBL BK W/KB ARA	5CB0L46072		•		•		
2	Upper_Case C 80S7 NBL BK W/KB HEB	5CB0L46043		•		•		
2	Upper_Case C 80S7 NBL BK W/KB THA	5CB0L46006		•		•		
2	Upper_Case C 80S7 NBL BK W/KB ID	5CB0L45963	•		•			
2	Upper_Case C 80S7 NBL BK W/KB UK	5CB0L46019	•		•			
2	Upper_Case C 80S7 NBL BK W/KB ITA	5CB0L46054	•		•			
2	Upper_Case C 80S7 NBL BK W/KB SPA	5CB0L45863	•		•			

Lenovo ideapad FLEX 4-1470/ideapad FLEX 4-1435/ideapad FLEX 4-1480/ideapad FLEX 4-1570/ideapad FLEX 4-1580

Table 4. Parts list—Overall (continued)

No.	FRU	FRU no.	CRU ID.	ideapad FLEX 4-1470	ideapad FLEX 4-1570	ideapad FLEX 4-1435	ideapad FLEX 4-1480	ideapad FLEX 4-1580
2	Upper_Case C 80S7 NBL BK W/KB TUR	5CB0L45934	N	•		•		
2	Upper_Case C 80S7 NBL BK W/KB POR	5CB0L45911		•		•		
2	Upper_Case C 80S7 NBL BK W/KB LSP	5CB0L45984		•		•		
2	Upper_Case C 80S7 NBLBK W/KB CFEn	5CB0L46017		•		•		
2	Upper_Case C 80S7 NBL BK W/KB NOD	5CB0L45856		•		•		
2	Upper_Case C 80S7 NBL BK W/KB FR	5CB0L45893		•		•		
2	Upper_Case C 80S7 NBL BK W/KB GE	5CB0L45880		•		•		
2	Upper_Case C 80S7 NBL BK W/KB BRA	5CB0L46040		•		•		
2	Upper_Case C 80S7 NBL BK W/KB DUT	5CB0L45868		•		•		
2	Upper_Case C 80S7 NBL BK W/KB HUN	5CB0L45922		•		•		
2	Upper_Case C 80S7 NBL BK W/KB BEL	5CB0L46035		•		•		
2	Upper_Case C 80S7 NBL BK W/KB ILD	5CB0L45851		•		•		
2	Upper_Case C 80S7 NBL BK W/KB SLE	5CB0L45938		•		•		
2	Upper_Case C 80S7 NBL BK W/KB SW	5CB0L45852		•		•		
2	Upper_Case C 80S7 NBL BK W/KB BUL	5CB0L45918		•		•		
2	Upper_Case C80S7NBLBK W/KBCZH-SLK	5CB0L46042		•		•		
2	Upper_Case C80S7 NBLBK W/KB FR-AR	5CB0L45997		•		•		
2	Upper_Case C 80SA BL BK W/KB UKR	5CB0L64509		•		•	•	
2	Upper_Case C 80SA NBL BK W/KB UKR	5CB0L64508		•		•	•	
2	Upper_Case C 80SB BL BK W/KB US	5CB0L45965			•			
2	Upper_Case C 80SB BL BK W/KB GRE	5CB0L45884			•			
2	Upper_Case C 80SB BL BK W/KB USI	5CB0L46059			•			
2	Upper_Case C 80SB BL BK W/KB KOR	5CB0L46070			•			
2	Upper_Case C 80SB BL BK W/KB TC	5CB0L45908			•			
2	Upper_Case C 80SB BL BK W/KB RU	5CB0L45869			•			
2	Upper_Case C 80SB BL BK W/KB ARA	5CB0L45925			•			
2	Upper_Case C 80SB BL BK W/KB HEB	5CB0L46068			•			
2	Upper_Case C 80SB BL BK W/KB THA	5CB0L45962			•			
2	Upper_Case C 80SB BL BK W/KB ID	5CB0L46062			•			
2	Upper_Case C 80SB BL BK W/KB UK	5CB0L46052			•			
2	Upper_Case C 80SB BL BK W/KB ITA	5CB0L46032			•			
2	Upper_Case C 80SB BL BK W/KB SPA	5CB0L45952			•			
2	Upper_Case C 80SB BL BK W/KB TUR	5CB0L46023			•			
2	Upper_Case C 80SB BL BK W/KB POR	5CB0L46069			•			
2	Upper_Case C 80SB BL BK W/KB LSP	5CB0L46010			•			
2	Upper_Case C 80SB BL BK W/KB CFEn	5CB0L46022			•			
2	Upper_Case C 80SB BL BK W/KB NOD	5CB0L45987			•			
2	Upper_Case C 80SB BL BK W/KB FR	5CB0L45947			•			
2	Upper_Case C 80SB BL BK W/KB GE	5CB0L45897			•			
2	Upper_Case C 80SB BL BK W/KB BRA	5CB0L45862			•			
2	Upper_Case C 80SB BL BK W/KB DUT	5CB0L45923			•			
2	Upper_Case C 80SB BL BK W/KB HUN	5CB0L46003			•			
2	Upper_Case C 80SB BL BK W/KB BEL	5CB0L46073		•				
2	Upper_Case C 80SB BL BK W/KB ILD	5CB0L46051		•				
2	Upper_Case C 80SB BL BK W/KB SLE	5CB0L45998		•				
2	Upper_Case C 80SB BL BK W/KB SW	5CB0L46030		•				

ideapad FLEX 4-1470/ideapad FLEX 4-1435/ideapad FLEX 4-1480/ideapad FLEX 4-1570/ideapad FLEX 4-1580 Hardware Maintenance Manual

Table 4. Parts list—Overall (continued)

No.	FRU	FRU no.	CRU ID.	ideapad FLEX 4-1470	ideapad FLEX 4-1570	ideapad FLEX 4-1435	ideapad FLEX 4-1480	ideapad FLEX 4-1580
2	Upper_Case C 80SB BL BK W/KB BUL	5CB0L45905	N		•			
2	Upper_Case C 80SB BLBK CZH-SLK	5CB0L45999			•			
2	Upper_Case C 80SB BLBK W/KB FR-AR	5CB0L45968			•			
2	Upper_Case C 80SB BL BK W/KB USA	5CB0L45988			•			
2	Upper_Case C 80SB NBL BK W/KB US	5CB0L45846			•			
2	Upper_Case C 80SB NBL BK W/KB GRE	5CB0L46028			•			
2	Upper_Case C 80SB NBL BK W/KB USI	5CB0L45980			•			
2	Upper_Case C 80SB NBL BK W/KB KOR	5CB0L45971			•			
2	Upper_Case C 80SB NBL BK W/KB TC	5CB0L45858			•			
2	Upper_Case C 80SB NBL BK W/KB RU	5CB0L45914			•			
2	Upper_Case C 80SB NBL BK W/KB ARA	5CB0L45847			•			
2	Upper_Case C 80SB NBL BK W/KB HEB	5CB0L45995			•			
2	Upper_Case C 80SB NBL BK W/KB THA	5CB0L45985			•			
2	Upper_Case C 80SB NBL BK W/KB ID	5CB0L46037			•			
2	Upper_Case C 80SB NBL BK W/KB UK	5CB0L46071			•			
2	Upper_Case C 80SB NBL BK W/KB ITA	5CB0L45951			•			
2	Upper_Case C 80SB NBL BK W/KB SPA	5CB0L46021			•			
2	Upper_Case C 80SB NBL BK W/KB TUR	5CB0L45900			•			
2	Upper_Case C 80SB NBL BK W/KB POR	5CB0L45904			•			
2	Upper_Case C 80SB NBL BK W/KB LSP	5CB0L45895			•			
2	Upper_Case C 80SB NBLBK W/KB CFEn	5CB0L45969			•			
2	Upper_Case C 80SB NBL BK W/KB NOD	5CB0L45959			•			
2	Upper_Case C 80SB NBL BK W/KB FR	5CB0L45898			•			
2	Upper_Case C 80SB NBL BK W/KB GE	5CB0L45949			•			
2	Upper_Case C 80SB NBL BK W/KB BRA	5CB0L45950			•			
2	Upper_Case C 80SB NBL BK W/KB DUT	5CB0L45981			•			
2	Upper_Case C 80SB NBL BK W/KB HUN	5CB0L45944			•			
2	Upper_Case C 80SB NBL BK W/KB BEL	5CB0L46050			•			
2	Upper_Case C 80SB NBL BK W/KB ILD	5CB0L45912			•			
2	Upper_Case C 80SB NBL BK W/KB SLE	5CB0L46018			•			
2	Upper_Case C 80SB NBL BK W/KB SW	5CB0L45903			•			
2	Upper_Case C 80SB NBL BK W/KB BUL	5CB0L45982			•			
2	Upper_Case C80SBNBLBK W/KBCZH-SLK	5CB0L45879			•			
2	Upper_Case C80SB NBLBK W/KB FR-AR	5CB0L45899			•			
2	Upper_Case C 80SB BL BK W/KB UKR	5CB0L64511			•			
2	Upper_Case C 80SB NBL BK W/KB UKR	5CB0L64510			•			
2	Upper Case C 80VE BLBK FPLNVW/KBUS	5CB0M32642						•
2	Upper Case C 80VE BLBK FPLNVW/KBGK	5CB0M32602						•
2	Upper Case C 80VE BLBK FPLNVW/KBUSINTE	5CB0M32694						•
2	Upper Case C 80VE BLBK FPLNVW/KBKO	5CB0M32617						•
2	Upper Case C 80VE BLBK FPLNVW/KBCH	5CB0M32656						•
2	Upper Case C 80VE BLBK FPLNVW/KBRU	5CB0M32696						•
2	Upper Case C 80VE BLBK FPLNVW/KBAR-E	5CB0M32673						•
2	Upper Case C 80VE BLBK FPLNVW/KBHB	5CB0M32556						•
2	Upper Case C 80VE BLBK FPLNVW/KBTI	5CB0M32707						•
2	Upper Case C 80VE BLBK FPLNVW/KBINDIA	5CB0M32693					•	

Lenovo ideapad FLEX 4-1470/ideapad FLEX 4-1435/ideapad FLEX 4-1480/ideapad FLEX 4-1570/ideapad FLEX 4-1580

Table 4. Parts list—Overall (continued)

No.	FRU	FRU no.	CRU ID.	ideapad FLEX 4-1470	ideapad FLEX 4-1570	ideapad FLEX 4-1435	ideapad FLEX 4-1480	ideapad FLEX 4-1580
2	Upper Case C 80VE BLBKFP LN VW /KBUSA	5CB0M32711	N					•
2	Upper Case C 80VE BLBKFP LN VW /KBUKR	5CB0M32714						•
2	Upper Case C 80VE BLBKFP LN VW /KBUK	5CB0M32678						•
2	Upper Case C 80VE BLBKFP LN VW /KBIT	5CB0M32606						•
2	Upper Case C 80VE BLBKFP LN VW /KBSP	5CB0M32586						•
2	Upper Case C 80VE BLBKFP LN VW /KBTR	5CB0M32662						•
2	Upper Case C 80VE BLBKFP LN VW /KBPO	5CB0M32716						•
2	Upper Case C 80VE BLBKFP LN VW /KBLA	5CB0M32596						•
2	Upper Case C 80VE BLBKFP LN VW /KBCF-E	5CB0M32605						•
2	Upper Case C 80VE BLBKFP LN VW /KBND	5CB0M32667						•
2	Upper Case C 80VE BLBKFP LN VW /KBFR	5CB0M32601						•
2	Upper Case C 80VE BLBKFP LN VW /KBGR	5CB0M32648						•
2	Upper Case C 80VE BLBKFP LN VW /KBNL	5CB0M32700						•
2	Upper Case C 80VE BLBKFP LN VW /KBHG	5CB0M32544						•
2	Upper Case C 80VE BLBKFP LN VW /KBBE	5CB0M32630						•
2	Upper Case C 80VE BLBKFP LN VW /KBICE	5CB0M32559						•
2	Upper Case C 80VE BLBKFP LN VW /KBSA	5CB0M32582						•
2	Upper Case C 80VE BLBKFP LN VW /KBSW	5CB0M32626						•
2	Upper Case C 80VE BLBKFP LN VW /KBBU	5CB0M32670						•
2	Upper Case C 80VE BLBKFP LN VW /KBCZ-SK	5CB0M32653						•
2	Upper Case C 80VE BLBKFP LN VW /KBBZ	5CB0M32622						•
2	Upper Case C 80VE BLBKFP LN VW /KBFR-AR	5CB0M32677						•
2	Upper Case C 80VENBLBKFP LN VW /KBUS	5CB0M32545						•
2	Upper Case C 80VENBLBKFP LN VW /KBGK	5CB0M32613						•
2	Upper Case C 80VENBLBKFP LN VW /KBUSI	5CB0M32701						•
2	Upper Case C 80VENBLBKFP LN VW /KBKO	5CB0M32620						•
2	Upper Case C 80VENBLBKFP LN VW /KBCH	5CB0M32661						•
2	Upper Case C 80VENBLBKFP LN VW /KBRU	5CB0M32624						•
2	Upper Case C 80VENBLBKFP LN VW /KBAR-E	5CB0M32692						•
2	Upper Case C 80VENBLBKFP LN VW /KBHB	5CB0M32595						•
2	Upper Case C 80VENBLBKFP LN VW /KBTI	5CB0M32567						•
2	Upper Case C 80VENBLBKFP LN VW /KBINDIA	5CB0M32573						•
2	Upper Case C 80VENBLBKFP LN VW /KBUKR	5CB0M32699						•
2	Upper Case C 80VENBLBKFP LN VW /KBUK	5CB0M32664						•
2	Upper Case C 80VENBLBKFP LN VW /KBIT	5CB0M32650						•
2	Upper Case C 80VENBLBKFP LN VW /KBSP	5CB0M32564						•
2	Upper Case C 80VENBLBKFP LN VW /KBTR	5CB0M32594						•
2	Upper Case C 80VENBLBKFP LN VW /KBPO	5CB0M32623						•
2	Upper Case C 80VENBLBKFP LN VW /KBLA	5CB0M32590						•
2	Upper Case C 80VENBLBKFP LN VW /KBCF-E	5CB0M32562						•
2	Upper Case C 80VENBLBKFP LN VW /KBND	5CB0M32563						•
2	Upper Case C 80VENBLBKFP LN VW /KBFR	5CB0M32675						•
2	Upper Case C 80VENBLBKFP LN VW /KBGR	5CB0M32688						•
2	Upper Case C 80VENBLBKFP LN VW /KBNL	5CB0M32598						•
2	Upper Case C 80VENBLBKFP LN VW /KBHG	5CB0M32578					•	
2	Upper Case C 80VENBLBKFP LN VW /KBBE	5CB0M32704					•	

// ideapad FLEX 4-1470/ideapad FLEX 4-1435/ideapad FLEX 4-1480/ideapad FLEX 4-1570/ideapad FLEX 4-1580 Hardware Maintenance Manual

Table 4. Parts list—Overall (continued)

No.	FRU	FRU no.	CRU ID.	ideapad FLEX 4-1470	ideapad FLEX 4-1570	ideapad FLEX 4-1435	ideapad FLEX 4-1480	ideapad FLEX 4-1580
2	Upper Case C 80VENBLBKFPPLNVW/KBICE	5CB0M32628						•
2	Upper Case C 80VENBLBKFPPLNVW/KBSA	5CB0M32550						•
2	Upper Case C 80VENBLBKFPPLNVW/KBSW	5CB0M32683						•
2	Upper Case C 80VENBLBKFPPLNVW/KBBU	5CB0M32647						•
2	Upper Case C 80VENBLBKFPPLNVW/KBCZ-SK	5CB0M32600						•
2	Upper Case C 80VENBLBKFPPLNVW/KBBZ	5CB0M32676						•
2	Upper Case C 80VENBLBKFPPLNVW/KBFR-AR	5CB0M32616						•
2	Upper_CaseC 80VB BL BK FP W/KB US	5CB0M32738					•	
2	Upper_CaseC 80VB BL BK FP W/KB GRE	5CB0M32921					•	
2	Upper_CaseC 80VB BL BK FP W/KB USI	5CB0M32847					•	
2	Upper_CaseC 80VB BL BK FP W/KB KOR	5CB0M32873					•	
2	Upper_CaseC 80VB BL BK FP W/KB TC	5CB0M32907					•	
2	Upper_CaseC 80VB BL BK FP W/KB RU	5CB0M32835					•	
2	Upper_CaseC 80VB BL BK FP W/KB ARA	5CB0M32753					•	
2	Upper_CaseC 80VB BL BK FP W/KB HEB	5CB0M32747					•	
2	Upper_CaseC 80VB BL BK FP W/KB THA	5CB0M32968					•	
2	Upper_CaseC 80VB BL BK FP W/KB ID	5CB0M32814					•	
2	Upper_CaseC 80VB BL BK FP W/KB UK	5CB0M32853					•	
2	Upper_CaseC 80VB BL BK FP W/KB ITA	5CB0M32756					•	
2	Upper_CaseC 80VB BL BK FP W/KB SPA	5CB0M32858					•	
2	Upper_CaseC 80VB BL BK FP W/KB TUR	5CB0M32883					•	
2	Upper_CaseC 80VB BL BK FP W/KB POR	5CB0M32965					•	
2	Upper_CaseC 80VB BL BK FP W/KB LSP	5CB0M32952					•	
2	Upper_CaseC 80VB BL BK FP W/KB CFEn	5CB0M32812	N				•	
2	Upper_CaseC 80VB BL BK FP W/KB NOD	5CB0M32840					•	
2	Upper_CaseC 80VB BL BK FP W/KB FR	5CB0M32869					•	
2	Upper_CaseC 80VB BL BK FP W/KB GE	5CB0M32849					•	
2	Upper_CaseC 80VB BL BK FP W/KB BRA	5CB0M32825					•	
2	Upper_CaseC 80VB BL BK FP W/KB DUT	5CB0M32751					•	
2	Upper_CaseC 80VB BL BK FP W/KB HUN	5CB0M32888					•	
2	Upper_CaseC 80VB BL BK FP W/KB BEL	5CB0M32736					•	
2	Upper_CaseC 80VB BL BK FP W/KB ILD	5CB0M32885					•	
2	Upper_CaseC 80VB BL BK FP W/KB SLE	5CB0M32951					•	
2	Upper_CaseC 80VB BL BK FP W/KB SW	5CB0M32763					•	
2	Upper_CaseC 80VB BL BK FP W/KB BUL	5CB0M32906					•	
2	Upper_CaseC 80VB BLBK FPCZH-SLK	5CB0M32739					•	
2	Upper_CaseC 80VB BLBK FP W/KB FR-AR	5CB0M32920					•	
2	Upper_CaseC 80VB BL BK FP W/KB USA	5CB0M32786					•	
2	Upper_CaseC 80VB BL BK FP W/KB UKR	5CB0M32954					•	
2	Upper_CaseC 80VB BL WT FP W/KB US	5CB0M32960					•	
2	Upper_CaseC 80VB BL WT FP W/KB GRE	5CB0M32958					•	
2	Upper_CaseC 80VB BL WT FP W/KB USI	5CB0M32938					•	
2	Upper_CaseC 80VB BL WT FP W/KB KOR	5CB0M32777					•	
2	Upper_CaseC 80VB BL WT FP W/KB TC	5CB0M32837					•	
2	Upper_CaseC 80VB BL WT FP W/KB RU	5CB0M32872					•	
2	Upper_CaseC 80VB BL WT FP W/KB ARA	5CB0M32862					•	

Lenovo ideapad FLEX 4-1470/ideapad FLEX 4-1435/ideapad FLEX 4-1480/ideapad FLEX 4-1570/ideapad FLEX 4-1580

Table 4. Parts list—Overall (continued)

No.	FRU	FRU no.	CRU ID.	ideapad	ideapad	ideapad	ideapad	ideapad
				FLEX 4-1470	FLEX 4-1570	FLEX 4-1435	FLEX 4-1480	FLEX 4-1580
2	Upper_CaseC 80VB BL WT FP W/KB HEB	5CB0M32784	N				•	
2	Upper_CaseC 80VB BL WT FP W/KB THA	5CB0M32913					•	
2	Upper_CaseC 80VB BL WT FP W/KB ID	5CB0M32909					•	
2	Upper_CaseC 80VB BL WT FP W/KB UK	5CB0M32760					•	
2	Upper_CaseC 80VB BL WT FP W/KB ITA	5CB0M32808					•	
2	Upper_CaseC 80VB BL WT FP W/KB SPA	5CB0M32928					•	
2	Upper_CaseC 80VB BL WT FP W/KB TUR	5CB0M32895					•	
2	Upper_CaseC 80VB BL WT FP W/KB POR	5CB0M32836					•	
2	Upper_CaseC 80VB BL WT FP W/KB LSP	5CB0M32824					•	
2	Upper_CaseC 80VB BL WT FP W/KB CFEn	5CB0M32927					•	
2	Upper_CaseC 80VB BL WT FP W/KB NOD	5CB0M32882					•	
2	Upper_CaseC 80VB BL WT FP W/KB FR	5CB0M32838					•	
2	Upper_CaseC 80VB BL WT FP W/KB GE	5CB0M32877					•	
2	Upper_CaseC 80VB BL WT FP W/KB BRA	5CB0M32787					•	
2	Upper_CaseC 80VB BL WT FP W/KB DUT	5CB0M32799					•	
2	Upper_CaseC 80VB BL WT FP W/KB HUN	5CB0M32765					•	
2	Upper_CaseC 80VB BL WT FP W/KB BEL	5CB0M32755					•	
2	Upper_CaseC 80VB BL WT FP W/KB ILD	5CB0M32964					•	
2	Upper_CaseC 80VB BL WT FP W/KB SLE	5CB0M32749					•	
2	Upper_CaseC 80VB BL WT FP W/KB SW	5CB0M32741					•	
2	Upper_CaseC 80VB BL WT FP W/KB BUL	5CB0M32874					•	
2	Upper_CaseC 80VB BLWT FPCZH-SLK	5CB0M32826					•	
2	Upper_CaseC 80VB BLWT FP W/KB FR-AR	5CB0M32778					•	
2	Upper_CaseC 80VB BL WT FP W/KB USA	5CB0M32856					•	
2	Upper_CaseC 80VB BL WT FP W/KB UKR	5CB0M32815					•	
2	Upper_CaseC 80VB NBL BK FP W/KB US	5CB0M32898					•	
2	Upper_CaseC 80VB NBL BK FP W/KB GRE	5CB0M32915					•	
2	Upper_CaseC 80VB NBL BK FP W/KB USI	5CB0M32813					•	
2	Upper_CaseC 80VB NBL BK FP W/KB KOR	5CB0M32939					•	
2	Upper_CaseC 80VB NBL BK FP W/KB TC	5CB0M32791					•	
2	Upper_CaseC 80VB NBL BK FP W/KB RU	5CB0M32860					•	
2	Upper_CaseC 80VB NBL BK FP W/KB ARA	5CB0M32764					•	
2	Upper_CaseC 80VB NBL BK FP W/KB HEB	5CB0M32767					•	
2	Upper_CaseC 80VB NBL BK FP W/KB THA	5CB0M32809					•	
2	Upper_CaseC 80VB NBL BK FP W/KB ID	5CB0M32857					•	
2	Upper_CaseC 80VB NBL BK FP W/KB UK	5CB0M32894					•	
2	Upper_CaseC 80VB NBL BK FP W/KB ITA	5CB0M32879					•	
2	Upper_CaseC 80VB NBL BK FP W/KB SPA	5CB0M32918					•	
2	Upper_CaseC 80VB NBL BK FP W/KB TUR	5CB0M32810					•	
2	Upper_CaseC 80VB NBL BK FP W/KB POR	5CB0M32831					•	
2	Upper_CaseC 80VB NBL BK FP W/KB LSP	5CB0M32834					•	
2	Upper_CaseC 80VB NBLBK FP W/KB CFEn	5CB0M32867				•		
2	Upper_CaseC 80VB NBL BK FP W/KB NOD	5CB0M32828				•		
2	Upper_CaseC 80VB NBL BK FP W/KB FR	5CB0M32935				•		
2	Upper_CaseC 80VB NBL BK FP W/KB GE	5CB0M32865				•		
2	Upper_CaseC 80VB NBL BK FP W/KB BRA	5CB0M32846				•		

/// ideapad FLEX 4-1470/ideapad FLEX 4-1435/ideapad FLEX 4-1480/ideapad FLEX 4-1570/ideapad FLEX 4-1580 Hardware Maintenance Manual

Table 4. Parts list—Overall (continued)

No.	FRU	FRU no.	CRU ID.	ideapad	ideapad	ideapad	ideapad	ideapad
				FLEX 4-1470	FLEX 4-1570	FLEX 4-1435	FLEX 4-1480	FLEX 4-1580
2	Upper_CaseC 80VB NBL BK FP W/KB DUT	5CB0M32916					•	
2	Upper_CaseC 80VB NBL BK FP W/KB HUN	5CB0M32919					•	
2	Upper_CaseC 80VB NBL BK FP W/KB BEL	5CB0M32820					•	
2	Upper_CaseC 80VB NBL BK FP W/KB ILD	5CB0M32926					•	
2	Upper_CaseC 80VB NBL BK FP W/KB SLE	5CB0M32829					•	
2	Upper_CaseC 80VB NBL BK FP W/KB SW	5CB0M32742					•	
2	Upper_CaseC 80VB NBL BK FP W/KB BUL	5CB0M32833					•	
2	Upper_CaseC 80VBNBLBKFP W/KBCZH-SLK	5CB0M32910					•	
2	Upper_CaseC 80VB NBLBKFP W/KB FR-AR	5CB0M32908					•	
2	Upper_CaseC 80VB NBL BK FP W/KB UKR	5CB0M32757					•	
2	Upper_CaseC 80VB NBL WT FP W/KB US	5CB0M32861					•	
2	Upper_CaseC 80VB NBL WT FP W/KB GRE	5CB0M32863					•	
2	Upper_CaseC 80VB NBL WT FP W/KB USI	5CB0M32886					•	
2	Upper_CaseC 80VB NBL WT FP W/KB KOR	5CB0M32794					•	
2	Upper_CaseC 80VB NBL WT FP W/KB TC	5CB0M32770					•	
2	Upper_CaseC 80VB NBL WT FP W/KB RU	5CB0M32804					•	
2	Upper_CaseC 80VB NBL WT FP W/KB ARA	5CB0M32923					•	
2	Upper_CaseC 80VB NBL WT FP W/KB HEB	5CB0M32775					•	
2	Upper_CaseC 80VB NBL WT FP W/KB THA	5CB0M32930					•	
2	Upper_CaseC 80VB NBL WT FP W/KB ID	5CB0M32880					•	
2	Upper_CaseC 80VB NBL WT FP W/KB UK	5CB0M32731					•	
2	Upper_CaseC 80VB NBL WT FP W/KB ITA	5CB0M32945					•	
2	Upper_CaseC 80VB NBL WT FP W/KB SPA	5CB0M32783					•	
2	Upper_CaseC 80VB NBL WT FP W/KB TUR	5CB0M32904					•	
2	Upper_CaseC 80VB NBL WT FP W/KB POR	5CB0M32769					•	
2	Upper_CaseC 80VB NBL WT FP W/KB LSP	5CB0M32963					•	
2	Upper_CaseC 80VB NBLWT FP W/KB CFEn	5CB0M32852					•	
2	Upper_CaseC 80VB NBL WT FP W/KB NOD	5CB0M32822					•	
2	Upper_CaseC 80VB NBL WT FP W/KB FR	5CB0M32780					•	
2	Upper_CaseC 80VB NBL WT FP W/KB GE	5CB0M32962					•	
2	Upper_CaseC 80VB NBL WT FP W/KB BRA	5CB0M32762					•	
2	Upper_CaseC 80VB NBL WT FP W/KB DUT	5CB0M32768					•	
2	Upper_CaseC 80VB NBL WT FP W/KB HUN	5CB0M32746					•	
2	Upper_CaseC 80VB NBL WT FP W/KB BEL	5CB0M32887					•	
2	Upper_CaseC 80VB NBL WT FP W/KB ILD	5CB0M32734					•	
2	Upper_CaseC 80VB NBL WT FP W/KB SLE	5CB0M32816					•	
2	Upper_CaseC 80VB NBL WT FP W/KB SW	5CB0M32855					•	
2	Upper_CaseC 80VB NBL WT FP W/KB BUL	5CB0M32766					•	
2	Upper_CaseC 80VBNBLWT FPW/KBCZH-SLK	5CB0M32844					•	
2	Upper_CaseC 80VB NBLWT FPW/KB FR-AR	5CB0M32934					•	
2	Upper_CaseC 80VB NBL WT FP W/KB UKR	5CB0M32946					•	
2	Upper_CaseC 80VD BL BK FP W/KB US	5CB0M32800					•	
2	Upper_CaseC 80VD BL BK FP W/KB GRE	5CB0M32792					•	
2	Upper_CaseC 80VD BL BK FP W/KB USI	5CB0M32842					•	
2	Upper_CaseC 80VD BL BK FP W/KB KOR	5CB0M32944					•	
2	Upper_CaseC 80VD BL BK FP W/KB TC	5CB0M32774					•	

Lenovo ideapad FLEX 4-1470/ideapad FLEX 4-1435/ideapad FLEX 4-1480/ideapad FLEX 4-1570/ideapad FLEX 4-1580

No.	FRU	FRU no.	CRU ID.	ideapad	ideapad	ideapad	ideapad	ideapad
				FLEX 4-1470	FLEX 4-1570	FLEX 4-1435	FLEX 4-1480	FLEX 4-1580
2	Upper_CaseC 80VD BL BK FP W/KB RU	5CB0M32931	N					•
2	Upper_CaseC 80VD BL BK FP W/KB ARA	5CB0M32914						•
2	Upper_CaseC 80VD BL BK FP W/KB HEB	5CB0M32948						•
2	Upper_CaseC 80VD BL BK FP W/KB THA	5CB0M32729						•
2	Upper_CaseC 80VD BL BK FP W/KB ID	5CB0M32884						•
2	Upper_CaseC 80VD BL BK FP W/KB UK	5CB0M32911						•
2	Upper_CaseC 80VD BL BK FP W/KB ITA	5CB0M32827						•
2	Upper_CaseC 80VD BL BK FP W/KB SPA	5CB0M32848						•
2	Upper_CaseC 80VD BL BK FP W/KB TUR	5CB0M32819						•
2	Upper_CaseC 80VD BL BK FP W/KB POR	5CB0M32943						•
2	Upper_CaseC 80VD BL BK FP W/KB LSP	5CB0M32803						•
2	Upper_CaseC 80VD BL BK FP W/KB CFEn	5CB0M32851						•
2	Upper_CaseC 80VD BL BK FP W/KB NOD	5CB0M32889						•
2	Upper_CaseC 80VD BL BK FP W/KB FR	5CB0M32905						•
2	Upper_CaseC 80VD BL BK FP W/KB GE	5CB0M32937						•
2	Upper_CaseC 80VD BL BK FP W/KB BRA	5CB0M32843						•
2	Upper_CaseC 80VD BL BK FP W/KB DUT	5CB0M32941						•
2	Upper_CaseC 80VD BL BK FP W/KB HUN	5CB0M32868						•
2	Upper_CaseC 80VD BL BK FP W/KB BEL	5CB0M32773						•
2	Upper_CaseC 80VD BL BK FP W/KB ILD	5CB0M32936						•
2	Upper_CaseC 80VD BL BK FP W/KB SLE	5CB0M32953						•
2	Upper_CaseC 80VD BL BK FP W/KB SW	5CB0M32966						•
2	Upper_CaseC 80VD BL BK FP W/KB BUL	5CB0M32730						•
2	Upper_CaseC 80VD BLBK FPCZH-SLK	5CB0M32903						•
2	Upper_CaseC 80VD BLBK FP W/KB FR-AR	5CB0M32859						•
2	Upper_CaseC 80VD BL BK FP W/KB USA	5CB0M32871						•
2	Upper_CaseC 80VD BL BK FP W/KB UKR	5CB0M32795						•
2	Upper_CaseC 80VD NBL BK FP W/KB US	5CB0M32854						•
2	Upper_CaseC 80VD NBL BK FP W/KB GRE	5CB0M32890						•
2	Upper_CaseC 80VD NBL BK FP W/KB USI	5CB0M32900						•
2	Upper_CaseC 80VD NBL BK FP W/KB KOR	5CB0M32806						•
2	Upper_CaseC 80VD NBL BK FP W/KB TC	5CB0M32949						•
2	Upper_CaseC 80VD NBL BK FP W/KB RU	5CB0M32737						•
2	Upper_CaseC 80VD NBL BK FP W/KB ARA	5CB0M32807						•
2	Upper_CaseC 80VD NBL BK FP W/KB HEB	5CB0M32789						•
2	Upper_CaseC 80VD NBL BK FP W/KB THA	5CB0M32912						•
2	Upper_CaseC 80VD NBL BK FP W/KB ID	5CB0M32776						•
2	Upper_CaseC 80VD NBL BK FP W/KB UK	5CB0M32845						•
2	Upper_CaseC 80VD NBL BK FP W/KB ITA	5CB0M32956						•
2	Upper_CaseC 80VD NBL BK FP W/KB SPA	5CB0M32878						•
2	Upper_CaseC 80VD NBL BK FP W/KB TUR	5CB0M32940						•
2	Upper_CaseC 80VD NBL BK FP W/KB POR	5CB0M32732					•	
2	Upper_CaseC 80VD NBL BK FP W/KB LSP	5CB0M32818					•	
2	Upper_CaseC 80VD NBLBK FP W/KB CFEn	5CB0M32959					•	
2	Upper_CaseC 80VD NBL BK FP W/KB NOD	5CB0M32793					•	
2	Upper_CaseC 80VD NBL BK FP W/KB FR	5CB0M32817					•	

/// ideapad FLEX 4-1470/ideapad FLEX 4-1435/ideapad FLEX 4-1480/ideapad FLEX 4-1570/ideapad FLEX 4-1580 Hardware Maintenance Manual

No.	FRU	FRU no.	CRU ID.	ideapad	ideapad	ideapad	ideapad	ideapad
				FLEX 4-1470	FLEX 4-1570	FLEX 4-1435	FLEX 4-1480	FLEX 4-1580
2	Upper_CaseC 80VD NBL BK FP W/KB GE	5CB0M32876						•
2	Upper_CaseC 80VD NBL BK FP W/KB BRA	5CB0M32759						•
2	Upper_CaseC 80VD NBL BK FP W/KB DUT	5CB0M32821						•
2	Upper_CaseC 80VD NBL BK FP W/KB HUN	5CB0M32805						•
2	Upper_CaseC 80VD NBL BK FP W/KB BEL	5CB0M32864						•
2	Upper_CaseC 80VD NBL BK FP W/KB ILD	5CB0M32924						•
2	Upper_CaseC 80VD NBL BK FP W/KB SLE	5CB0M32881						•
2	Upper_CaseC 80VD NBL BK FP W/KB SW	5CB0M32901						•
2	Upper_CaseC 80VD NBL BK FP W/KB BUL	5CB0M32750						•
2	Upper_CaseC 80VDNBLBKFP W/KBCZH-SLK	5CB0M32748						•
2	Upper_CaseC 80VD NBLBKFP W/KB FR-AR	5CB0M32875						•
2	Upper_CaseC 80VD NBL BK FP W/KB UKR	5CB0M32955						•
3	IO_Board C 80S7 W/cable	5C50L45960		•		•		
3	IO_Board C 80S8 W/cable	5C50L45983						
4	MB C 80S7 NOK UMA 4405U BL	5B20L45996		•		•		
4	MB C 80S7 WIN UMA 4405U BL	5B20L45972		•				
4	MB C 80S7 NOK UMA 4405U NBL	5B20L46057		•				
4	MB C 80S7 WIN UMA 4405U NBL	5B20L46044		•				
4	MB C 80S7 NOK M1-30 4405U BL	5B20L45939		•				
4	MB C 80S7 WIN M1-30 4405U BL	5B20L46031		•				
4	MB C 80S7 NOK M1-30 4405U NBL	5B20L45929		•				
4	MB C 80S7 WIN M1-30 4405U NBL	5B20L46061		•				
4	MB C 80S7 NOK UMA I3-6100U BL	5B20L45882		•				
4	MB C 80S7 WIN UMA I3-6100U BL	5B20L45942		•				
4	MB C 80S7 NOK UMA I3-6100U NBL	5B20L45849		•				
4	MB C 80S7 WIN UMA I3-6100U NBL	5B20L45967		•				
4	MB C 80S7 NOK M1-30 I36100U BL	5B20L45936		•				
4	MB C 80S7 WIN M1-30 I36100U BL	5B20L45855		•				
4	MB C 80S7 NOK M130 I36100U NBL	5B20L46046		•				
4	MB C 80S7 WIN M130 I36100U NBL	5B20L45857		•				
4	MB C 80S7 NOK UMA I5-6200U BL	5B20L45867		•				
4	MB C 80S7 WIN UMA I5-6200U BL	5B20L46029		•				
4	MB C 80S7 NOK UMA I5-6200U NBL	5B20L45909		•				
4	MB C 80S7 WIN UMA I5-6200U NBL	5B20L45920		•				
4	MB C 80S7 NOK M1-30 I56200U BL	5B20L46008		•				
4	MB C 80S7 WIN M1-30 I56200U BL	5B20L46045		•				
4	MB C 80S7 NOK M130 I56200U NBL	5B20L45953		•				
4	MB C 80S7 WIN M130 I56200U NBL	5B20L45886		•				
4	MB C 80S7 NOK UMA I7-6500U BL	5B20L45850		•				
4	MB C 80S7 WIN UMA I7-6500U BL	5B20L45883		•				
4	MB C 80S7 NOK UMA I7-6500U NBL	5B20L46012		•				
4	MB C 80S7 WIN UMA I7-6500U NBL	5B20L45943		•				
4	MB C 80S7 NOK M130 I76500U BL	5B20L46065		•				
4	MB C 80S7 WIN M130 I76500U BL	5B20L45913		•				
4	MB C 80S7 NOK M130 I76500U NBL	5B20L45930		•				
4	MB C 80S7 WIN M130 I76500U NBL	5B20L45877		•				

Lenovo ideapad FLEX 4-1470/ideapad FLEX 4-1435/ideapad FLEX 4-1480/ideapad FLEX 4-1570/ideapad FLEX 4-1580

No.	FRU	FRU no.	CRU ID.	ideapad	ideapad	ideapad	ideapad	ideapad
				FLEX 4-1470	FLEX 4-1570	FLEX 4-1435	FLEX 4-1480	FLEX 4-1580
4	MB C 80S8 NOK UMA I5-6200U BL	5B20L46020	N		•			
4	MB C 80S8 WIN UMA I56200U BL	5B20L45964			•			
4	MB C 80S8 NOK UMA I5-6200U NBL	5B20L45881			•			
4	MB C 80S8 WIN UMA I5-6200U NBL	5B20L45866			•			
4	MB C 80S8 NOK I56200U M2 2G BL	5B20L45910			•			
4	MB C 80S8 WIN I56200U M2 2G BL	5B20L45937			•			
4	MB C 80S8 NOK I56200U M2 2GNBL	5B20L45859			•			
4	MB C 80S8 WIN I56200U M2 2GNBL	5B20L46005			•			
4	MB C 80S8 NOK UMA 4405U BL	5B20L45864			•			
4	MB C 80S8 WIN UMA 4405U BL	5B20L46064			•			
4	MB C 80S8 NOK UMA 4405U NBL	5B20L45927			•			
4	MB C 80S8 WIN UMA 4405U NBL	5B20L46063			•			
4	MB C 80S8NOK 4405U M2 2G BL	5B20L45994			•			
4	MB C 80S8WIN 4405U M2 2G BL	5B20L45932			•			
4	MB C 80S8NOK 4405U M2 2G NBL	5B20L45865			•			
4	MB C 80S8WIN 4405U M2 2G NBL	5B20L46016			•			
4	MB C 80S8 NOK UMA I3-6100U BL	5B20L45871			•			
4	MB C 80S8 WIN UMA I3-6100U BL	5B20L45973			•			
4	MB C 80S8 NOK UMA I3-6100U NBL	5B20L45848			•			
4	MB C 80S8 WIN UMA I3-6100U NBL	5B20L45901			•			
4	MB C 80S8 NOK I36100U M2 2G BL	5B20L46048			•			
4	MB C 80S8 WIN I36100U M2 2G BL	5B20L45941			•			
4	MB C 80S8 NOK I36100U M2 2GNBL	5B20L45891			•			
4	MB C 80S8 WIN I36100U M2 2GNBL	5B20L45887			•			
4	MB C 80S8 NOK I76500U M2 2G BL	5B20L45966			•			
4	MB C 80S8 WIN I76500U M2 2G BL	5B20L45854			•			
4	MB C 80S8 NOK UMA I7-6500U BL	5B20L45956			•			
4	MB C 80S8 WIN UMA I7-6500U BL	5B20L45888			•			
4	MB C 80S8 NOK UMA I7-6500U NBL	5B20L46053			•			
4	MB C 80S8 WIN UMA I7-6500U NBL	5B20L46036			•			
4	MB C 80S8 NOK I76500U M2 2GNBL	5B20L45957			•			
4	MB C 80S8 WIN I76500U M2 2GNBL	5B20L46024			•			
4	MB C 80S9 NOK A69210 UMA BL	5B20L80795				•		
4	MB C 80S9 WIN A69210 UMA BL	5B20L80785				•		
4	MB C 80S9 NOK A69210 2G BL	5B20L80798				•		
4	MB C 80S9 WIN A69210 2G BL	5B20L80787				•		
4	MB C 80S9 NOK A69210 UMA NBL	5B20L80784				•		
4	MB C 80S9 WIN A69210 UMA NBL	5B20L80791				•		
4	MB C 80S9 NOK A69210 2G NBL	5B20L80788				•		
4	MB C 80S9 WIN A69210 2G NBL	5B20L80797				•		
4	MB C 80S9 NOK A99410 UMA BL	5B20L80789				•		
4	MB C 80S9 WIN A99410 UMA BL	5B20L80794				•		
4	MB C 80S9 NOK A99410 2G BL	5B20L80800				•		
4	MB C 80S9 WIN A99410 2G BL	5B20L80792				•		
4	MB C 80S9 NOK A99410 UMA NBL	5B20L80793				•		
4	MB C 80S9 WIN A99410 UMA NBL	5B20L80783				•		

/// ideapad FLEX 4-1470/ideapad FLEX 4-1435/ideapad FLEX 4-1480/ideapad FLEX 4-1570/ideapad FLEX 4-1580 Hardware Maintenance Manual

No.	FRU	FRU no.	CRU ID.	ideapad	ideapad	ideapad	ideapad	ideapad
				FLEX 4-1470	FLEX 4-1570	FLEX 4-1435	FLEX 4-1480	FLEX 4-1580
4	MB C 80S9 NOK A99410 2G NBL	5B20L80796				•		
4	MB C 80S9 WIN A99410 2G NBL	5B20L80786				•		
4	MB C 80VB NOK I37100U UMABL NFP	5B20M32902					•	
4	MB C 80VB WIN I37100U UMABL NFP	5B20M32801					•	
4	MB C 80VB NOK I37100U UMANBL NFP	5B20M32733				•		
4	MB C 80VB WIN I37100U UMANBL NFP	5B20M32830					•	
4	MB C 80VB NOK I37100U 2G BL NFP	5B20M32893					•	
4	MB C 80VB WIN I37100U 2G BL NFP	5B20M32771					•	
4	MB C 80VB NOK I37100U 2G NBL NFP	5B20M32950					•	
4	MB C 80VB WIN I37100U 2G NBL NFP	5B20M32850				•		
4	MB C 80VB NOK I57200U UMABL NFP	5B20M32779					•	
4	MB C 80VB WIN I57200U UMABL NFP	5B20M32798					•	
4	MB C 80VB NOK I57200U UMANBL NFP	5B20M32796					•	
4	MB C 80VB WIN I57200U UMANBL NFP	5B20M32896					•	
4	MB C 80VB NOK I57200U 2G BL NFP	5B20M32802					•	
4	MB C 80VB WIN I57200U 2G BL NFP	5B20M32823					•	
4	MB C 80VB NOK I57200U 2G NBL NFP	5B20M32961					•	
4	MB C 80VB WIN I57200U 2G NBL NFP	5B20M32797					•	
4	MB C 80VB NOK I77500U UMABL NFP	5B20M32891					•	
4	MB C 80VB WIN I77500U UMABL NFP	5B20M32947					•	
4	MB C 80VB NOK I77500U UMANBL NFP	5B20M32832					•	
4	MB C 80VB WIN I77500U UMANBL NFP	5B20M32892					•	
4	MB C 80VB NOK I77500U 2G BL NFP	5B20M32839					•	
4	MB C 80VB WIN I77500U 2G BL NFP	5B20M32922					•	
4	MB C 80VB NOK I77500U 2G NBL NFP	5B20M32942					•	
4	MB C 80VB WIN I77500U 2G NBL NFP	5B20M32957					•	
4	MB C 80VB NOK I37100U UMA BLFP	5B20M32897					•	
4	MB C 80VB WIN I37100U UMA BLFP	5B20M32933					•	
4	MB C 80VB NOK I37100U UMA NBLFP	5B20M32899					•	
4	MB C 80VB WIN I37100U UMA NBLFP	5B20M32929					•	
4	MB C 80VB NOK I37100U 2G BL FP	5B20M32781					•	
4	MB C 80VB WIN I37100U 2G BL FP	5B20M32967					•	
4	MB C 80VB NOK I37100U 2G NBL FP	5B20M32752					•	
4	MB C 80VB WIN I37100U 2G NBL FP	5B20M32740					•	
4	MB C 80VB NOK I57200U UMA BLFP	5B20M32785					•	
4	MB C 80VB WIN I57200U UMA BLFP	5B20M32744					•	
4	MB C 80VB NOK I57200U UMA NBLFP	5B20M32917					•	
4	MB C 80VB WIN I57200U UMA NBLFP	5B20M32782					•	
4	MB C 80VB NOK I57200U 2G BL FP	5B20M32758					•	
4	MB C 80VB WIN I57200U 2G BL FP	5B20M32754					•	
4	MB C 80VB NOK I57200U 2G NBL FP	5B20M32772					•	
4	MB C 80VB WIN I57200U 2G NBL FP	5B20M32866					•	
4	MB C 80VB NOK I77500U UMA BLFP	5B20M32745					•	
4	MB C 80VB WIN I77500U UMA BLFP	5B20M32790					•	
4	MB C 80VB NOK I77500U UMA NBLFP	5B20M32870					•	
4	MB C 80VB WIN I77500U UMA NBLFP	5B20M32735					•	

Lenovo ideapad FLEX 4-1470/ideapad FLEX 4-1435/ideapad FLEX 4-1480/ideapad FLEX 4-1570/ideapad FLEX 4-1580

No.	FRU	FRU no.	CRU ID.	ideapad	ideapad	ideapad	ideapad	ideapad
				FLEX 4-1470	FLEX 4-1570	FLEX 4-1435	FLEX 4-1480	FLEX 4-1580
4	MB C 80VB NOK I77500U 2G BL FP	5B20M32743						•
4	MB C 80VB WIN I77500U 2G BL FP	5B20M32788						•
4	MB C 80VB NOK I77500U 2G NBL FP	5B20M32841						•
4	MB C 80VB WIN I77500U 2G NBL FP	5B20M32761						•
5	CPU Fan C 80S7	5F10L45845		•		•		
5	CPU Fan C 80S8	5F10L46056			•	•		
6	Heat_sink C 80S7 DIS	5H40L45978		•				
6	Heat_sink C 80S7 UMA	5H40L45974		•				
6	Heat_sink C 80S8 DIS	5H40L45907			•			
6	Heat_sink C 80S8 UMA	5H40L45878			•			
6	Heatsink C 80S9 DIS	5H40L80799				•		
6	Heatsink C 80S9 UMA	5H40L80790				•		
7	Wirelesslan_WIFI Ltn NFA435 1x1AC+BT4.0 PCIE M.2 WLAN, WIFI 1X1 AC+BT4.0	SW10A116641		•	•	•	•	•
7	Wirelesslan_WIFI Cbt RTL8821AE 1x1AC+BT4.0 PCIE M.2 WLAN, WIFI 1X1 AC+BT4.0	SW10A116648		•	•	•	•	•
7	Wirelesslan_WIFI Intel 3165 1x1AC+BT PCIE M.2 WLAN SAR, WIFI 1X1 AC+BT4.0	SW10H24487			•	•	•	•
7	WirelessLan_Non_Intel Ltn NFA435 1x1AC+BT4.0 PCIE M.2 WLAN, NON-INTEL 1X1 AC+BT4.0	SW10A116641		•	•	•	•	•
7	WirelessLan_Non_Intel Cbt RTL8821AE 1x1AC+BT4.0 PCIE M.2 WLAN, NON-INTEL 1X1 AC+BT4.0	SW10A116648		•	•	•	•	•
7	Wirelesslan_WIFI Fxn BCM4350 2x2AC+BT4.0 PCIE M.2 WLAN, WIFI 2X2 AC+BT4.0	SW10H24482			•	•	•	•
7	Wirelesslan_WIFI Intel 8260 2x2AC+BT PCIE M.2 WLAN NV SAR, WIFI 2X2 AC+BT4.0	SW10A116647		•	•	•	•	•
8	Speaker Yoga510-14 Veco 1224 Speaker	5SB0K97334		•				
8	Speaker Yoga510-14 GGEC 1224 Speaker	5SB0K97336		•				
8	Speaker Yoga510-15 YG 1224 Speaker	5SB0K97340			•			
9	RAM 4GB D4 S M471A5143EB0-CPB, 4G (1X4GBDDR4 2133)	5M30K59778		•		•	•	•
9	RAM Hynix HMA451S6AFR8N-TFN0, 4G (1X4GBDDR4 2133)	5M30H35732		•	•	•	•	•
9	RAM 4GB D4 S MTA8ATF51264HZ-2G1A2, 4G (1X4GBDDR4 2133)	5M30K59777		•	•	•	•	•
9	RAM 4GB D4 S RMSA3230KE68H9F-2133, 4G (1X4GBDDR4 2133)	5M30K62038		•	•	•	•	•
9	RAM 8GB D4 S M471A1K43BB0-CPB, 8G (1X8GBDDR4 2133)	5M30K59786		•	•	•	•	•
9	RAM Hynix HMA41GS6AFR8N-TFN0, 8G (1X8GBDDR4 2133)	5M30H35726		•	•	•	•	•
9	RAM 8GB D4 S MTA16ATF1G64HZ-2G1A2, 8G (1X8GBDDR4 2133)	5M30K59784		•	•	•	•	•
9	RAM 8GB D4 S RMSA3230KB78HAF-2133, 8G (1X8GBDDR4 2133)	5M30K62037		•	•	•	•	•

ideapad FLEX 4-1470/ideapad FLEX 4-1435/ideapad FLEX 4-1480/ideapad FLEX 4-1570/ideapad FLEX 4-1580 Hardware Maintenance Manual

No.	FRU	FRU no.	CRU ID.	ideapad	ideapad	ideapad	ideapad	ideapad
				FLEX 4-1470	FLEX 4-1570	FLEX 4-1435	FLEX 4-1480	FLEX 4-1580
9	RAM M471A2K43BB1-CRC, 16G (1X16GBDDR4 2133)	SM30G16512		•	•	•	•	•
9	RAM HMA82GS6AFR8N-UH, 16G (1X16GBDDR4 2133)	SM30G16513		•	•	•	•	•
9	RAM MTA16ATF2G64H-2G3B1, 16G (1X16GBDDR4 2133)	SM30G16514		•	•	•	•	•
10	Battery Supra SP/A L15M2PB17.5V35Wh2cell bty, 2CELL 35WH	5B10K84491		•	•	•	•	•
10	Battery Supra CP/C L15C2PB17.6V35Wh2cell bty, 2CELL 35WH	5B10K84639		•	•	•	•	•
10	Battery Supra LG L15L2PB17.6V35Wh2cell bty, 2CELL 35WH	5B10K85056		•	•	•	•	•
10	Battery Supra SP/A L15M3PB011.25V52.5Wh3cell bty, 3CELL 52.5WH	5B10K84494		•	•	•	•	•
10	Battery Supra CP/C L15C3PB111.4V52.5Wh3cell bty, 3CELL 52.5WH	5B10K84638		•	•	•	•	•
10	Battery Supra LG L15L3PB011.4V52.5Wh3cell bty, 3CELL 52.5WH	5B10K85055		•	•	•	•	•
11	SSD Samsung MZYL128HCHP 2.5" 5mm 128GB SSD 128G SATA SSD(L)	5SD0H45117		•	•	•	•	•
11	SSD MZTY128HDHP-000L2 2.5" 128G 5mm SSD 128G SATA SSD(L)	5SD0L14645		•	•	•	•	•
11	SSD HFS128G3BMND-3210A 2.5" 5mm 128GB SSD 128G SATA SSD(L)	5SD0K44056	N	•	•	•	•	•
11	SSD MZTY256HDHP-000L2 2.5" 256G 5mm SSD 256G SATA SSD	5SD0L14644		•	•	•	•	•
11	SSD CV3-DE256 2.5" 5mm 256G SSD 256G SATA SSD	5SD0L02316		•	•	•	•	•
11	SSD Liteon CV3-DE512 2.5" 5mm 512G SSD 512G SATA SSD	5SD0L02321		•	•	•	•	•
11	SSD Samsung MZYLN512HMJP-000L2 2.5" 512G 5mm SSD 512G SATA SSD	5SD0K93730		•	•	•	•	•
11	HDD ST500LT012 6G 7mm 5.4K 500G HDD 500G 7MM 5400RPM	16200383		•	•	•	•	•
11	HDD WD5000LPCX-24VHAT0 7mm 5400rpm 500G HDD 500G 7MM 5400RPM	5H20J35762		•	•	•	•	•
11	HDD MQ01ABF050 6G 7mm 5.4K 500G HDD 500G 7MM 5400RPM	16200433		•	•	•	•	•
11	HDD WD10SPCX-24HWST1 6G 7mm 1T HDD 1TB 7MM 5400RPM	16200554		•	•	•	•	•
11	HDD TSB MQ02ABF100 6G 7mm 5.4k 1TB HDD 1TB 7MM 5400RPM	5H20G09709		•	•	•	•	•
11	HDD HTS541010A7E630 1TB 7MM 5400RPM	16200658		•	•	•	•	•
11	HDD TBD (QS: Q4/2015) 1TB 7MM 5400RPM	TBD		•	•	•	•	•
11	HDD ST500LM000 6G 7mm 500G+8G SSHD 500G 7MM 5400RPM (8G)	5H20H24608		•	•	•	•	•

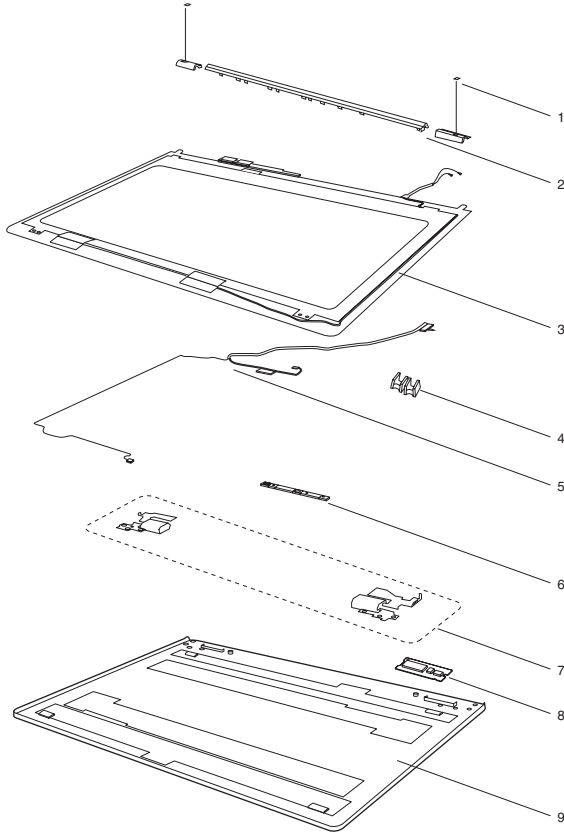
Lenovo ideapad FLEX 4-1470/ideapad FLEX 4-1435/ideapad FLEX 4-1480/ideapad FLEX 4-1570/ideapad FLEX 4-1580

No.	FRU	FRU no.	CRU ID.	ideapad	ideapad	ideapad	ideapad	ideapad
				FLEX 4-1470	FLEX 4-1570	FLEX 4-1435	FLEX 4-1480	FLEX 4-1580
11	HDD Toshiba MQ02ABF050H 7mm 5.4k 500GB+8GB SSHD 500G 7MM 5400RPM (8G)	5H20H12631	N	•	•	•	•	•
11	HDD TBD SSHD 500G 7MM 5400RPM (8G)	TBD		•	•	•	•	•
12	RTC BATTERY C 80S7	5B10L45935		•		•		
12	RTC Battery C 80S8	5B10L46075			•			
13	Lower_Case C 80S7 Black	5CB0L45970		•		•		
13	Lower_Case C 80S8 Black	5CB0L46025			•			
14	Screw Rubber C 80S9 Black 20PCS	5R60L80801				•		
15	FINGER_PRT C 80VB BK W/Cable	5F30M32932					•	
15	FINGER_PRT C 80VB WT W/Cable	5F30M32925					•	
—	AC adapter (see "AC adapters" on page 76).							

LCD FRUs

In Lenovo ideapad FLEX 4-1470/ideapad FLEX 4-1435/ideapad FLEX 4-1480/ideapad FLEX 4-1570/ideapad FLEX 4-1580, there is following type of LCD.

- “14.0-in. HD LED”
- “15.6-in. HD LED”



14.0-in. HD TFT

Table 5. Parts list—14.0-in. HD TFT

No.	FRU	FRU no.	CRU ID.
1	LCD Bezel Screwpad C80S7BL+WT20PCS	5T10L45961	N
2	Hinge_Cover C 80S7 Black	5CB0L45928	
3	Panel, LGD LP140WF6-SPB1 FHD AG S NB, 14.0 FHD IPS AG TOUCH (SLIM)	5D10H34771	
3	Panel, IN N140HCE-EAA C3 FHD AG S NB, 14.0 FHD IPS AG TOUCH (SLIM)	5D10K91452	
3	Panel, BOE NV140FHM-N41 FHD AG S NB, 14.0 FHD IPS AG TOUCH (SLIM)	5D10H32288	
3	Panel, IN N140BGA-EA3 HDT AG S NB, 14.0 HD TN AG TOUCH (SLIM)	5D10K85755	
3	Panel, AUO B140XTN02.E HW0A HD AG S NB, 14.0 HD TN AG TOUCH (SLIM)	5D10G95364	
3	Panel, LG LP140WHU-TPH1 HDT AG S NB, 14.0 HD TN AG TOUCH (SLIM)	5D10K81464	
3	LCD Module C80S7 BLK W/ANT FHD	5D10L45870	
3	LCD Module C80S7 BLK W/ANT HD	5D10L46000	
3	Touch, OFO MCF-140-2370 GFF YG510TSP, 14.0 FHD IPS AG TOUCH(SLIM),14.0 HD TN AG TOUCH(SLIM)	ST50K84945	
3	Touch, MTO B131972H1 GFF NA YG51TSP, 14.0 FHD IPS AG TOUCH(SLIM),14.0 HD TN AG TOUCH(SLIM)	ST50K85797	
4	Rubber hinge C 80S7 20PCS	5R60L46038	
5	EDP cable C 80S7	5C10L46013	
6	Camera, BIS BNCH1NVSF HD NB camera, HD 720P WITH ARRAY MIC	SC20K75685	
6	Camera, CCY CNFFH44 HD NB camera, HD 720P WITH ARRAY MIC	SC20K75684	
6	Camera, AVC HAA-8F4A01 HD NB camera, HD 720P WITH ARRAY MIC	SC20K75686	
6	CAMERA C 80S7 W/Conductive tape	5C20L46039	
7	Hinge C 80S7 L+R	5H50L45889	
8	Sensor_Board C 80S7	5C50L45933	
9	LCD Cover C 80S7 BLK W/Yoga Logo	5CB0L46015	
9	LCD Cover C80SA BLKW/LENOVO Logo	5CB0L46058	

15.6-in. HD TFT

Table 5. Parts list—15.6-in. HD TFT

No.	FRU	FRU no.	CRU ID.
1	LCD Bezel Screwpad C80S8BL+WT20PCS	5T10L45993	N
2	Hinge_Cover C 80S8 Black	5CB0L45958	
2	Hinge C 80S8 L+R	5H50L45948	
3	Panel, LG LP156WF6-SPK2 FHDI AG S NB 15.6 FHD IPS AG TOUCH (SLIM)	5D10K92393	
3	Panel, SD LTN156HL09-402 FHDI AG S NB 15.6 FHD IPS AG TOUCH(SLIM)	5D10K81462	
3	Panel, BO NV156FHM-N42 V5 FHDI AG S NB 15.6 FHD IPS AG TOUCH(SLIM)	5D10K18374	
3	Touch SLC 156021AKM OGS NA YG51TSP 15.6 FHD IPS AG TOUCH(SLIM)	ST50K85656	
3	Touch BOE SG156FBB-A12 OGS YG51 TSP 15.6 FHD IPS AG TOUCH(SLIM)	ST50K86358	
3	LCD Module C80S8 BLK W/ANT FHD	5D10L46026	
4	Rubber hinge C 80S8 20PCS	5R60L45919	
5	EDP cable C 80S8	5C10L45902	
6	Camera C 80S8 W/Conductive tape	5C20L45977	
6	Camera, BIS BNCH1NVSF HD NB camera, HD 720P WITH ARRAY MIC	SC20K75685	
6	Camera, CCY CNFFH44 HD NB camera, HD 720P WITH ARRAY MIC	SC20K75684	
6	Camera, AVC HAA-8F4A01 HD NB camera, HD 720P WITH ARRAY MIC	SC20K75686	
8	Sensor_Board C 80S8	5C50L45917	
9	LCD Cover C80SB BLK W/LENOVO LOGO	5CB0L45975	

Miscellaneous parts

Table 6. Parts list—Miscellaneous parts

FRU	FRU no.	CRU ID.	ideapad FLEX 4-1470	ideapad FLEX 4-1570	ideapad FLEX 4-1435	ideapad FLEX 4-1480	ideapad FLEX 4-1580
System miscellaneous parts:							
• (a) HDD Bracket C 80S7	5B40L45926	N	•		•		
• (a) HDD Bracket C 80S8	5B40L45921			•			
• (b) Shielding DDR C 80S7	5S60L45945		•		•		
• (b) Shielding DDR C 80S8	5S60L45986			•			
• (c) Wlan Sponge C 80S7	5T10L45954		•		•		
• (c) Wlan Sponge C 80S8	5T10L46033				•		
• (d) FP Bracket C 80VB	5B40M32811					•	
Cable miscellaneous parts:							
• (e) DC-IN Cable C 80S7	5C10L45924			•		•	
• (e) DC-IN Cable C 80S8	5C10L45853				•		
Note: Italicized letters in parentheses are references to the exploded view in “Overall” on page 65.							

AC adapters

Table 7. Parts list—2-pin AC adapters

FRU	P/N	CRU ID.
Adapter Delta ADP-45DW AA 20V2.25A adapter, BLACK 45W 2-PIN	5A10H43620	*
Adapter Delta ADP-45DW JA 20V2.25A adapter, BLACK 45W 2-PIN	5A10H43623	
Adapter Delta ADP-45DW BA 20V2.25A adapter, BLACK 45W 2-PIN	5A10H43630	
Adapter Delta ADP-45DW DA 20V2.25A adapter, BLACK 45W 2-PIN	5A10H43621	
Adapter Delta ADP-45DW HA 20V2.25A adapter, BLACK 45W 2-PIN	5A10H43627	
Adapter Delta ADP-45DW GA 20V2.25A adapter, BLACK 45W 2-PIN	5A10H43617	
Adapter Delta ADP-45DW EA 20V2.25A adapter, BLACK 45W 2-PIN	5A10H43626	
Adapter Delta ADP-45DW CA 20V2.25A adapter, BLACK 45W 2-PIN	5A10H43632	
Adapter Delta ADP-45DW KA 20V2.25A adapter, BLACK 45W 2-PIN	5A10H43624	
Adapter Liteon PA-1450-55LN 20V2.25A adapter, BLACK 45W 2-PIN	5A10H42921	
Adapter Liteon PA-1450-55LG 20V2.25A adapter, BLACK 45W 2-PIN	5A10H42920	
Adapter Liteon PA-1450-55LL 20V2.25A adapter, BLACK 45W 2-PIN	5A10H42923	
Adapter Liteon PA-1450-55LK 20V2.25A adapter, BLACK 45W 2-PIN	5A10H42917	
Adapter Liteon PA-1450-55LI 20V2.25A adapter, BLACK 45W 2-PIN	5A10H42926	
Adapter Liteon PA-1450-55LR 20V2.25A adapter, BLACK 45W 2-PIN	5A10H42919	
Adapter Liteon PA-1450-55LS 20V2.25A adapter, BLACK 45W 2-PIN	5A10H42922	
Adapter Liteon PA-1450-55LU 20V2.25A adapter, BLACK 45W 2-PIN	5A10H42925	
Adapter Liteon PA-1450-55LZ 20V2.25A adapter, BLACK 45W 2-PIN	5A10H42918	
Adapter Chicony ADL45WCA 20V2.25A adapter, BLACK 45W 2-PIN	5A10H43629	
Adapter Chicony ADL45WCB 20V2.25A adapter, BLACK 45W 2-PIN	5A10H43618	
Adapter Chicony ADL45WCC 20V2.25A adapter, BLACK 45W 2-PIN	5A10H43625	
Adapter Chicony ADL45WCD 20V2.25A adapter, BLACK 45W 2-PIN	5A10H43631	
Adapter Chicony ADL45WCK 20V2.25A adapter, BLACK 45W 2-PIN	5A10H43619	
Adapter Chicony ADL45WCE 20V2.25A adapter, BLACK 45W 2-PIN	5A10H43633	

ideapad FLEX 4-1470/ideapad FLEX 4-1435/ideapad FLEX 4-1480/ideapad FLEX 4-1570/ideapad FLEX 4-1580 Hardware Maintenance Manual

Table 7. Parts list—2-pin AC adapters

FRU	P/N	CRU ID.
Adapter Chicony ADL45WCF 20V2.25A adapter, BLACK 45W 2-PIN	5A10H43622	*
Adapter Chicony ADL45WCG 20V2.25A adapter, BLACK 45W 2-PIN	5A10H43628	
Adapter Chicony ADL45WCH 20V2.25A adapter, BLACK 45W 2-PIN	5A10H43616	
Adapter Delta ADLX65CDGC2A 20V3.25A adapter, BLACK 65W 2-PIN	5A10K78762	
Adapter Delta ADLX65CDGG2A 20V3.25A adapter, BLACK 65W 2-PIN	5A10K78739	
Adapter Delta ADLX65CDGU2A 20V3.25A adapter, BLACK 65W 2-PIN	5A10K78742	
Adapter Delta ADLX65CDGK2A 20V3.25A adapter, BLACK 65W 2-PIN	5A10K78743	
Adapter Delta ADLX65CDGI2A 20V3.25A adapter, BLACK 65W 2-PIN	5A10K78759	
Adapter Delta ADLX65CDGR2A 20V3.25A adapter, BLACK 65W 2-PIN	5A10K78748	
Adapter Delta ADLX65CDGA2A 20V3.25A adapter, BLACK 65W 2-PIN	5A10K78741	
Adapter Delta ADLX65CDGE2A 20V3.25A adapter, BLACK 65W 2-PIN	5A10K78753	
Adapter Delta ADLX65CDGB2A 20V3.25A adapter, BLACK 65W 2-PIN	5A10K78754	
Adapter Liteon ADLX65CLGC2A 20V3.25A adapter, BLACK 65W 2-PIN	5A10K78736	
Adapter Liteon ADLX65CLGG2A 20V3.25A adapter, BLACK 65W 2-PIN	5A10K78749	
Adapter Liteon ADLX65CLGU2A 20V3.25A adapter, BLACK 65W 2-PIN	5A10K78745	
Adapter Liteon ADLX65CLGK2A 20V3.25A adapter, BLACK 65W 2-PIN	5A10K78750	
Adapter Liteon ADLX65CLGI2A 20V3.25A adapter, BLACK 65W 2-PIN	5A10K78740	
Adapter Liteon ADLX65CLGR2A 20V3.25A adapter, BLACK 65W 2-PIN	5A10K78746	
Adapter Liteon ADLX65CLGA2A 20V3.25A adapter, BLACK 65W 2-PIN	5A10K78758	
Adapter Liteon ADLX65CLGE2A 20V3.25A adapter, BLACK 65W 2-PIN	5A10K78752	
Adapter Liteon ADLX65CLGB2A 20V3.25A adapter, BLACK 65W 2-PIN	5A10K78755	
Adapter Chicony ADLX65CCGC2A 20V3.25A adapter, BLACK 65W 2-PIN	5A10K78744	
Adapter Chicony ADLX65CCGG2A 20V3.25A adapter, BLACK 65W 2-PIN	5A10K78756	
Adapter Chicony ADLX65CCGU2A 20V3.25A adapter, BLACK 65W 2-PIN	5A10K78761	
Adapter Chicony ADLX65CCGK2A 20V3.25A adapter, BLACK 65W 2-PIN	5A10K78757	
Adapter Chicony ADLX65CCGI2A 20V3.25A adapter, BLACK 65W 2-PIN	5A10K78760	
Adapter Chicony ADLX65CCGR2A 20V3.25A adapter, BLACK 65W 2-PIN	5A10K78747	
Adapter Chicony ADLX65CCGA2A 20V3.25A adapter, BLACK 65W 2-PIN	5A10K78737	
Adapter Chicony ADLX65CCGE2A 20V3.25A adapter, BLACK 65W 2-PIN	5A10K78751	
Adapter Chicony ADLX65CCGB2A 20V3.25A adapter, BLACK 65W 2-PIN	5A10K78738	

Screws

Table 8. Parts list—screws

FRU	P/N	CRU ID.	ideapad	ideapad	ideapad	ideapad	ideapad
			FLEX 4-1470	FLEX 4-1570	FLEX 4-1435	FLEX 4-1470	FLEX 4-1580
Screw Pack C 80S7	5S10L45896	N	•		•		
Screw Pack C 80S8	5S10L46002			•			

Notices

Lenovo may not offer the products, services, or features discussed in this document in all countries. Consult your local Lenovo representative for information on the products and services currently available in your area. Any reference to a Lenovo product, program, or service is not intended to state or imply that only that Lenovo product, program, or service may be used. Any functionally equivalent product, program, or service that does not infringe any Lenovo intellectual property right may be used instead. However, it is the user's responsibility to evaluate and verify the operation of any other product, program, or service.

Lenovo may have patents or pending patent applications covering subject matter described in this document. The furnishing of this document does not give you any license to these patents.

LENOVO GROUP LTD. PROVIDES THIS PUBLICATION "AS IS" WITHOUT WARRANTY OF ANY KIND, EITHER EXPRESS OR IMPLIED, INCLUDING, BUT NOT LIMITED TO, THE IMPLIED WARRANTIES OF NON-INFRINGEMENT, MERCHANTABILITY OR FITNESS FOR A PARTICULAR PURPOSE. Some jurisdictions do not allow disclaimer of express or implied warranties in certain transactions, therefore, this statement may not apply to you.

This information could include technical inaccuracies or typographical errors. Changes are periodically made to the information herein; these changes will be incorporated in new editions of the publication. Lenovo may make improvements and/or changes in the product(s) and/or the program(s) described in this publication at any time without notice.

The products described in this document are not intended for use in implantation or other life support applications where malfunction may result in injury or death to persons. The information contained in this document does not affect or change Lenovo product specifications or warranties. Nothing in this document shall operate as an express or implied license or indemnity under the intellectual property rights of Lenovo or third parties. All information contained in this document was obtained in specific environments and is presented as an illustration. The result obtained in other operating environments may vary.

Lenovo may use or distribute any of the information you supply in any way it believes appropriate without incurring any obligation to you.

Any references in this publication to non-Lenovo Web sites are provided for convenience only and do not in any manner serve as an endorsement of those Web sites. The materials at those Web sites are not part of the materials for this Lenovo product, and use of those Web sites is at your own risk.

Any performance data contained herein was determined in a controlled environment. Therefore, the result obtained in other operating environments may vary significantly. Some measurements may have been made on development-level systems and there is no guarantee that these measurements will be the same on generally available systems. Furthermore, some measurements may have been estimated through extrapolation. Actual results may vary. Users of this document should verify the applicable data for their specific environment.

Trademarks

The following terms are trademarks or registered trademarks of Lenovo in the United States, other countries, or both.

Lenovo
OneKey

Microsoft and Windows are trademarks of Microsoft Corporation in the United States, other countries, or both.

Other company, products, or service names may be trademarks or service marks of others.