

EcoSystem® 2 x 4 foot Recessed Direct/Indirect Digital Dimmable Fixture

Features

- Recessed direct/indirect 2 x 4 foot fixture
- Three lamp, 32 W, T8 linear fluorescent
- Dim smoothly and continuously from 100% to 10% or 1% measured light
- Designed to lay into standard NEMA Type G grid (suspended) T-bar ceilings
- Gypsum ceiling and surface mount options available
- Universal input voltage 120/277 V~
- UL and CUL listed, Class P thermally protected ballast
- Models available with *EcoSystem* sensor input whip (10% dimming model)

Description

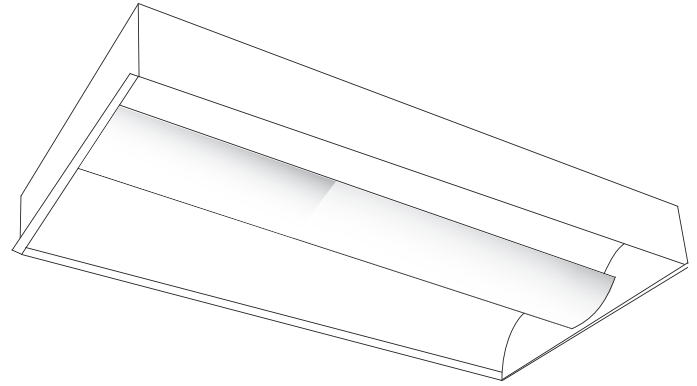
- Direct/Indirect distribution of soft light creates superior brightness control and balanced light
- Excellent for use where indirect lighting is desired, but ceiling heights are too low for suspended fixtures
- Provides visual comfort for those people who look directly at the ceiling in hospitals and health care facilities
- Complement the interior design in lobbies, corridors, or offices

Construction

- 22 gauge die-formed steel housing
- Heavy duty ends securely fastened to the housing
- Side mounted T-bar clips
- High reflectance low glare satin white reflector provides soft, uniform indirect light distribution
- Perforated white metal basket backed with acrylic diffuser to control glare and veiling reflections
- Shielding easily removed providing easy lamp access for relamping
- Quick access plate for convenient power connection
- Designed for NEMA Type G (grid). Consult factory for compatibility with other ceiling systems.

Finish

- All metal parts pretreated with a phosphate bonding process and post painted with an electrostatically applied high temperature baked white enamel for superior quality and durability



Dimming Performance

- Ballast: *EcoSystem* EC5 T832 G UNV 3L or H3D T832 G UNV 3 17
- Dimming range – 100% to 10% or 1%
- Power factor greater than .95
- Total harmonic distortion less than 20%
- Designed to withstand surge voltages of 6000 volts as specified in ANSI C62.41
- Better than Class A sound rating
- Ballast meets FCC Part 18 regulations for RFI/EMI
- No visible lamp flicker
- Ballasts strike lamps at any light level without first flashing to full light

Controls

The following controls are available for use with Lutron dimmable fixtures:

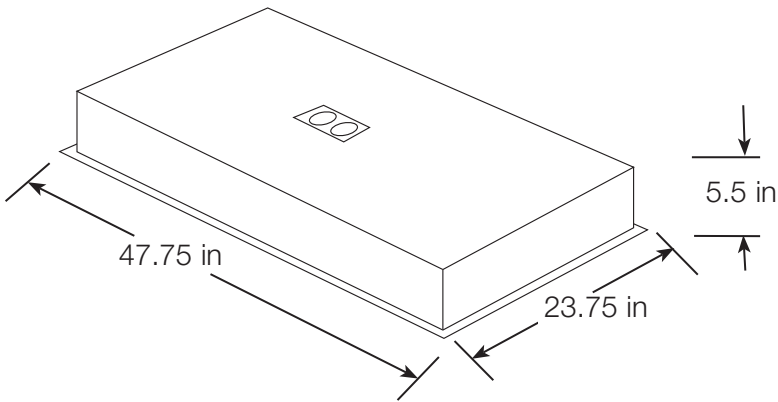
- GRAFIK Eye® QS
- Quantum®
- Maestro® Wireless
- Nova®
- Skylark®
- Vareo®
- GRAFIK Eye®
- Energi Savr Node™
- Nova T*®
- Diva®
- Ariadni®

Lamps

- Requires three 32 W T8 linear (F32T8) fluorescent lamps
- Consult lamp manufacturer for lamp seasoning requirements prior to dimming
- Lamps are not included with the fixture

<p>Job Name:</p> <p>Job Number:</p>	<p>Model Numbers:</p>
--	------------------------------

Product Dimensions



Models	Ballast	Rated Current	Lamp Type	Input Power
FXSRI33224EU FXSRI33224EUW FXSRI33224EUEM	EC5 T832 G UNV 3 L	0.72 A @ 120 V~ 0.31 A @ 277 V~	(3) 32 W T8 linear fluorescent	85.9 W @ 120 V~ 82.2 W @ 277 V~
FXRI33224HD17U FXRI33224HD17UEM	H3D T832 G UNV 3 17	0.95 A @ 120 V~ 0.41 A @ 277 V~	(3) 32 W T8 linear fluorescent	106.8 W @ 120 V~ 105.7 W @ 277 V~

*W suffix indicates prewired sensor whip
EM suffix indicates emergency ballast option

Photometric Data

Coming soon

Job Name:	Model Numbers:
Job Number:	