



RD-270

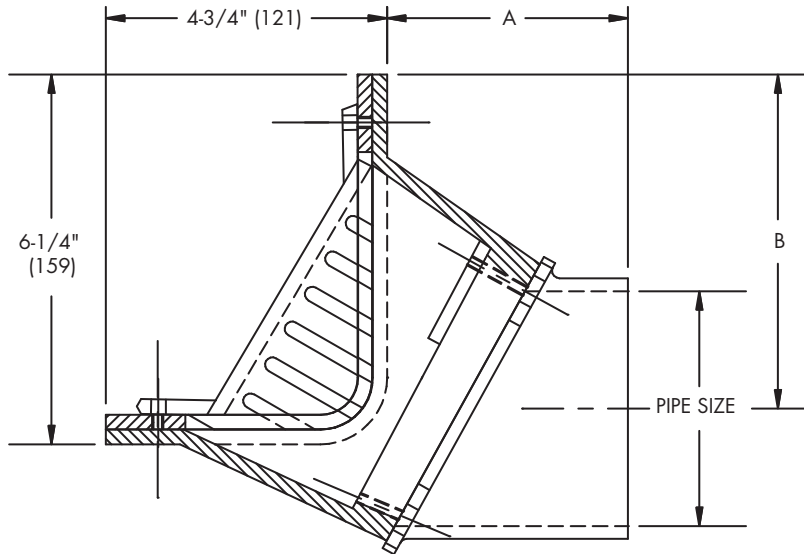
Tag: _____

Scupper Drain with Angle Grate

SPECIFICATION: Watts Drainage RD-270 epoxy coated cast iron scupper drain with flashing clamp, secured angle grate, and no hub (standard) outlet.

FUNCTION: To provide drainage from roof surface horizontally through parapet. Provides vertical drainage by reversing outlet.

Notice: Specify RD-270-A for 45 degree outlet.



Pipe Sizing (Select One)		
Suffix	Description	
2	2"(51) Pipe Size	<input type="checkbox"/>
3	3"(76) Pipe Size	<input type="checkbox"/>
4	4"(102) Pipe Size	<input type="checkbox"/>
6	6"(152) No Hub Only	<input type="checkbox"/>

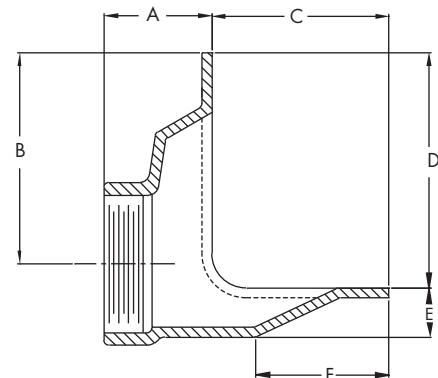
Grate (Select One)		
Suffix	Description	
-1	Nickel Bronze Grate	<input type="checkbox"/>
-50	Cast Iron Grate	<input type="checkbox"/>

Options		
Suffix	Description	
-A	45 Degree Outlet	<input type="checkbox"/>
-T	Threaded Outlet	<input type="checkbox"/>
-6	Vandal Proof Grate	<input type="checkbox"/>
-8	Backwater Valve	<input type="checkbox"/>
-13	Galvanized	<input type="checkbox"/>

Free Area Sq. In.
15

A Pipe Size	B	C	D	E	F	J
2	6"(152)	2-3/4"(70)	4-1/2"(114)	6"(152)	1-1/4"(32)	3-3/8"(86)
3	5-3/8"(137)	2-3/4"(70)	4-1/2"(114)	6"(152)	1-1/4"(32)	3-3/8"(86)
4	4-7/8"(124)	2-3/4"(70)	4-1/2"(114)	6"(152)	1-1/4"(32)	3-3/8"(86)

*RD-270T
Threaded
Outlet



NOTICE

The information contained herein is not intended to replace the full product installation and safety information available or the experience of a trained product installer. You are required to thoroughly read all installation instructions and product safety information before beginning the installation of this product.

Job Name _____

Contractor _____

Job Location _____

Contractor's P.O. No. _____

Engineer _____

Representative _____

Watts product specifications in U.S. customary units and metric are approximate and are provided for reference only. For precise measurements, please contact Watts Technical Service. Watts reserves the right to change or modify product design, construction, specifications, or materials without prior notice and without incurring any obligation to make such changes and modifications on Watts products previously or subsequently sold.

USA: Tel: (800) 338-2581 • Fax: (828) 248-3929 • Watts.com
Canada: Tel: (905) 332-4090 • Fax: (905) 332-7068 • Watts.ca
Latin America: Tel: (52) 81-1001-8600 • Fax: (52) 81-8000-7091 • Watts.com



A Watts Water Technologies Company