



Read This First

Read This First	English
Leer antes de empezar	Español
Leia isto primeiro	Português (Brasil)
À lire avant de commencer	Français



Read This First

Manuals Provided with This Machine	1
Safety Information for This Machine	2
Other Information for This Machine	3
Appendix	4

For information not found in paper manuals, see the online manuals available on our web site (<http://www.ricoh.com/>) or via the control panel.



Read this manual carefully before you use this machine and keep it handy for future reference. For safe and correct use, be sure to read the Safety Information in this manual before using the machine.

English



TABLE OF CONTENTS

- How to Read the Manuals..... 2
 - Symbols Used in the Manuals..... 2
 - Disclaimer..... 2
 - Notes..... 3
 - Machine Types..... 3

1. Manuals Provided with This Machine

- Manuals for This Machine..... 5
- How to Use the Operating Instructions..... 7
 - Read HTML Manuals..... 7
 - Read the HTML manuals on the control panel..... 8

2. Safety Information for This Machine

- Safety Symbols for This Machine..... 9
- Safety Information..... 10
 - Safety During Operation..... 10
 - Safety Precautions to Be Followed..... 10
- Safety Labels of This Machine..... 17
 - Positions of WARNING and CAUTION labels..... 17
 - Symbols Power Switch..... 20

3. Other Information for This Machine

- Laws and Regulations..... 21
 - Duplication and Printing Prohibited..... 21
 - Laser Safety..... 21
 - Notes to USA Users of FCC Requirements..... 21
 - Important Safety Instructions for Facsimile Unit..... 24
 - Notes to Canadian Users of Wireless Devices..... 25
 - Notes to Canadian Users of Facsimile Unit..... 26

4. Appendix

- Trademarks..... 27

How to Read the Manuals

Symbols Used in the Manuals

This manual uses the following symbols:

 **Important**

Indicates points to pay attention to when using the machine, and explanations of likely causes of paper misfeeds, damage to originals, or loss of data. Be sure to read these explanations.

 **Note**

Indicates supplementary explanations of the machine's functions, and instructions on resolving user errors.

 **Reference**

This symbol is located at the end of sections. It indicates where you can find further relevant information.




Indicates the names of keys on the machine's display or control panels.




Indicates instructions displayed on the control panel.



Indicates instructions in sheet form.

 **Region A** (mainly Europe and Asia), (mainly Europe), or (mainly Asia)

 **Region B** (mainly North America)

Differences in the functions of Region A and Region B models are indicated by two symbols. Read the information indicated by the symbol that corresponds to the region of the model you are using. For details about which symbol corresponds to the model you are using, see "Model-Specific Information", Getting Started .

Disclaimer

To the maximum extent permitted by applicable laws, in no event will the manufacturer be liable for any damages whatsoever arising out of failures of this machine, losses of the registered data, or the use or non-use of this product and operation manuals provided with it.

Make sure that you always copy or have backups of the data registered in this machine. Documents or data might be erased due to your operational errors or malfunctions of the machine.

In no event will the manufacturer be responsible for any documents created by you using this machine or any results from the data executed by you.

Notes

Contents of this manual are subject to change without prior notice.

The manufacturer shall not be responsible for any damage or expense that might result from the use of parts other than genuine parts from the manufacturer with your office products.

For good output quality, the manufacturer recommends that you use genuine toner from the manufacturer.

Some illustrations in this manual might be slightly different from the machine.

Machine Types

Check the type of your machine before reading the manuals.

- Type 1: MP 501SPF
- Type 2: MP 601SPF

Certain types might not be available in some countries. For details, please contact your local dealer.

Certain options might not be available in some countries. For details, please contact your local dealer.

Depending on which country you are in, certain units may be optional. For details, please contact your local dealer.



1. Manuals Provided with This Machine

This chapter explains manuals for this machine.

Manuals for This Machine

The operating instructions of this machine are provided in the following formats:

Format	Manuals
Printed manuals	<ul style="list-style-type: none">• Read This First• Start Guide• Quick Installation Guide
CD-ROM	<ul style="list-style-type: none">• Driver Installation Guide
Manuals displayed on the control panel	<ul style="list-style-type: none">• Operating Instructions (HTML manuals)
Web page	<ul style="list-style-type: none">• Read This First• User Guide• Start Guide• Operating Instructions (HTML manuals)• Quick Reference Guide• Quick Installation Guide• Driver Installation Guide

Read This First

Before using the machine, be sure to read the section of this manual entitled Safety Information. It also describes each regulation and environmental conformance.

Start Guide

Describes how to read manuals on the control panel. It also describes how to log in to the machine.

User Guide

Regarding the basic usage of this machine, frequently used functions, troubleshooting when an error message appears, etc., summaries are provided for each user manual.

Operating Instructions (HTML manuals)

Describes the setup for using the machine, how to use functions to copy, fax, print, scan or for maintenance and specifications, troubleshooting, system settings, and security functions.

Manuals are available in English, German, French, Italian, Spanish, Dutch, and Russian.

User Guide and Security Guide are available in the seven languages above and other languages.

For details about how to use the HTML manuals, see page 7 "How to Use the Operating Instructions".

Quick Reference Guide

Describes per page the basic functions of copy, fax, and scan.

- Quick Reference Copy Guide
- Quick Reference Fax Guide
- Quick Reference Scanner Guide


Quick Installation Guide

Describes procedures for unpacking and setting up the machine, which include loading paper and installing print cartridge and waste toner bottle, etc.

Driver Installation Guide

Describes how to install and configure each driver. This manual is included in the drivers CD.

Note

- Before you configure the extended security and authentication settings, refer to "Before Using This Machine" in the Security Guide .
- You can download information about the machine's certification, which is based on an IT security certification system (hereafter CC Certification), from https://support-download.com/services/device/ccmanual/mp_501_601/en/download_admin.html and https://support-download.com/services/device/ccmanual/mp_501_601/en/download_user.html. This information is about how to set up the machine. If you have purchased a CC Certified machine, be sure to read it before operating the machine so you can make the correct settings before using it.
- You can see the following manuals on the Web page.
 - Appendix
 - DHCP Option 204

How to Use the Operating Instructions

This chapter describes the operating instructions of this machine.

Read HTML Manuals

The following browsers are recommended to read the HTML manuals.

- Internet Explorer 8/9/10/11
- Firefox 29
- Safari 5.1.7
- Chrome 35

Note

- If JavaScript is disabled or unavailable in your browser, you will not be able to search or use certain buttons in the HTML documentation.
- The required display resolution is 1,024 × 768 pixels or greater.
- In the help on the top right of the top page, you can check how to use the HTML manuals. The help topics explain the icons and buttons that are displayed in the HTML manuals.

Search for what you want to do or can do

Using Easy Search, you can search for what want to do or can do with this machine.

1. Click **Easy Search** on the top right of the top page.
2. Click a title to display the item you want to read.

Search by entering a keyword

You can search through the HTML manuals.

This section explains how to search for "duplex".

1. Enter **"duplex"** in the search box on the top left of the top page.
2. Click .

A list of titles or descriptions that include "duplex" appears.

A search result appears in the search result window. In addition you can use the drop-down menu to select a manual.

3. Click a title to display the item you want to read.

Note

- Use keywords to search for items you want to query. Depending on the keyword you enter, related keywords might also appear.
- Items including the used keyword is appear in the search result window.
- If you put a space between keywords, pages that contain both keywords are displayed. For example, if you enter "duplex" and a space and "copy", items including both words appear in the search result window.)

Read the HTML manuals on the control panel

You can also read the HTML manuals on the control panel. For details about how to read the HTML manuals on the control panel, see Start Guide .








2. Safety Information for This Machine

This chapter describes the safety precautions.

Safety Symbols for This Machine

The meanings of the safety symbols for this machine are as follows:

2

	Caution
	Warning; Sharp element
	Do not touch
	Do not throw into the fire
	Do not use the cleaner
	Keep out of reach of children
	Caution, hot surface

Safety Information

Safety During Operation

2

In this manual, the following important symbols are used:

 **WARNING**

Indicates a potentially hazardous situation which, if instructions are not followed, could result in death or serious injury.

 **CAUTION**

Indicates a potentially hazardous situation which, if instructions are not followed, may result in minor or moderate injury or damage to property.

Safety Precautions to Be Followed

This section explains safety precautions that should always be followed when using this machine.

Environments where the machine can be used

This section explains safety precautions about environments where the machine can be used.

 **WARNING**

- Do not use flammable sprays or solvents in the vicinity of this machine. Also, avoid placing these items in the vicinity of this machine. Doing so could result in fire or electric shock.

- Do not place vases, plant pots, cups, toiletries, medicines, small metal objects, or containers holding water or any other liquids, on or close to this machine. Fire or electric shock could result from spillage or if such objects or substances fall inside this machine.

 **CAUTION**

- Keep the machine away from humidity and dust. Otherwise a fire or an electric shock might occur.

- Do not place the machine on an unstable or tilted surface. If it topples over, an injury might occur.

- Do not place heavy objects on the machine. Doing so can cause the machine to topple over, possibly resulting in injury.

⚠ CAUTION

- Make sure the room where you are using the machine is well ventilated and spacious. Good ventilation is especially important when the machine is used heavily.
- Do not obstruct the machine's vents. Doing so risks fire caused by overheated internal components.

2

Handling power cords and power cord plugs

This section explains safety precautions about handling power cords and power cord plugs.

⚠ WARNING

- Do not use any power sources other than those that match the specifications shown. Doing so could result in fire or electric shock.
- Do not use any frequencies other than those that match the specifications shown. Doing so could result in fire or electric shock.
- Do not use multi-socket adaptors. Doing so could result in fire or electric shock.
- Do not use extension cords. Doing so could result in fire or electric shock.
- Do not use power cords that are damaged, broken, or modified. Also, do not use power cords that have been trapped under heavy objects, pulled hard, or bent severely. Doing so could result in fire or electric shock.
- Touching the prongs of the power cable's plug with anything metallic constitutes a fire and electric shock hazard.
- The supplied power cord is for use with this machine only. Do not use it with other appliances. Doing so could result in fire or electric shock.
- It is dangerous to handle the power cord plug with wet hands. Doing so could result in electric shock.
- If the power cord is damaged and its inner wires are exposed or broken, contact your service representative for a replacement. Use of damaged power cords could result in fire or electric shock.

⚠ WARNING

- Be sure to disconnect the plug from the wall outlet at least once a year and check for the following:
 - There are burn marks on the plug.
 - The prongs on the plug are deformed.
- If any of the above conditions exist, do not use the plug and consult your dealer or service representative. Use of the plug could result in fire or electric shock.

- Be sure to disconnect the power cord from the wall outlet at least once a year and check for the following:
 - The power cord's inner wires are exposed, broken, etc.
 - The power cord's coating has a crack or dent.
 - When bending the power cord, the power turns off and on.
 - Part of the power cord becomes hot.
 - The power cord is damaged.
- If any of the above conditions exist, do not use the power cord and consult your dealer or service representative. Use of the power cord could result in fire or electric shock.

⚠ CAUTION

- Be sure to push the plug of the power cord fully into the wall outlet. Partially inserted plugs create an unstable connection that can result in unsafe buildup of heat.

- If this machine is not going to be used for several days or longer at a time, disconnect its power cord from the wall outlet.

- When disconnecting the power cord from the wall outlet, always pull the plug, not the cord. Pulling the cord can damage the power cord. Use of damaged power cords could result in fire or electric shock.

- Be sure to disconnect the plug from the wall outlet and clean the prongs and the area around the prongs at least once a year. Allowing dust to build up on the plug constitutes a fire hazard.

- When performing maintenance on the machine, always disconnect the power cord from the wall outlet.

- Power Source
120–127 V, 12 A, 60 Hz

Please be sure to connect the power cord to a power source as above.

Handling the main machine

This section explains safety precautions about handling the main machine.

WARNING

- Be sure to locate the machine as close as possible to a wall outlet. This will allow easy disconnection of the power cord in the event of an emergency.
- If the machine emits smoke or odours, or if it behaves unusually, you must turn off its power immediately. After turning off the power, be sure to disconnect the power cord plug from the wall outlet. Then contact your service representative and report the problem. Do not use the machine. Doing so could result in fire or electric shock.
- If metal objects, or water or other fluids fall inside this machine, you must turn off its power immediately. After turning off the power, be sure to disconnect the power cord plug from the wall outlet. Then contact your service representative and report the problem. Do not use the machine. Doing so could result in fire or electric shock.
- Do not touch this machine if a lightning strike occurs in the immediate vicinity. Doing so could result in electric shock.
- The following explains the warning messages on the plastic bag used in this product's packaging.
 - Keep the polythene materials (bags, etc.) supplied with this machine away from babies and small children at all times. Suffocation can result if polythene materials are brought into contact with the mouth or nose.

CAUTION

- Unplug the power cord from the wall outlet before you move the machine. While moving the machine, take care that the power cord is not damaged under the machine. Failing to take these precautions could result in fire or electric shock.
- If you have to move the machine when the optional paper tray unit is attached, do not push on the main unit's top section. Doing so can cause the optional paper tray unit to detach, possibly resulting in injury.
- The machine weighs approximately 28 kg (62 lb.).
- When moving the machine, use the inset grips on both sides, and lift slowly in pairs. The machine will break or cause injury if dropped.
- Lifting the paper feed unit carelessly or dropping may cause injury.

CAUTION

- After you move the machine, use the caster fixture to fix it in place. Otherwise the machine might move or come down to cause an injury.
- Contact your service representative if you need to lift the machine (such as when relocating it to another floor). Do not attempt to lift the machine without the assistance of your service representative. The machine will be damaged if it topples or is dropped, resulting in malfunction and risk of injury to users.
- Before installing or removing options, always disconnect the power cord plugs from the wall outlet and allow time for the main unit to fully cool. Failing to take these precautions could result in burns.
- Do not look into the lamp. It can damage your eyes.
- Do not hold the control panel while moving the machine. Doing so may damage the control panel, cause a malfunction, or result in injury.
- Keep your hands away from the hinges and exposure glass when lowering the ADF. Not doing so result in an injury if your hands or fingers are pinched.

Handling the machine's interior

This section explains safety precautions about handling the machine's interior.

WARNING

- Do not remove any covers or screws other than those explicitly mentioned in this manual. Inside this machine are high voltage components that are an electric shock hazard and laser components that could cause blindness. Contact your sales or service representative if any of the machine's internal components require maintenance, adjustment, or repair.
- Do not attempt to disassemble or modify this machine. Doing so risks burns and electric shock. Note again that exposure to the laser components inside this machine risks blindness.

CAUTION

- Some of this machine's internal components get very hot. For this reason, take care when removing misfed paper. Not doing so could result in burns.
- When removing jammed paper, make sure not to trap or injure your fingers.
- When loading paper, take care not to trap or injure your fingers.

⚠ CAUTION

- While safety measures have been installed to prevent accidents, you must not touch the machine's rollers while it is operating. Doing so could cause injury.
- If the machine's interior is not cleaned regularly, dust will accumulate. Fire and breakdown can result from heavy accumulation of dust inside this machine. Contact your sales or service representative for details about and charges for cleaning the machine's interior.

Handling the machine's supplies

This section explains safety precautions about handling the machine's supplies.

⚠ WARNING

- Do not incinerate toner (new or used) or toner containers. Doing so risks burns. Toner will ignite on contact with naked flame.
- Do not store toner (new or used) or toner containers anywhere near naked flames. Doing so risks fire and burns. Toner will ignite on contact with naked flame.
- Do not use a vacuum cleaner to remove spilled toner (including used toner). Absorbed toner may cause a fire or explosion due to electrical contact flickering inside the vacuum cleaner. However, it is possible to use a vacuum cleaner that is explosion-proof and dust ignition-proof. If toner is spilled on the floor, remove the spilled toner slowly using a wet cloth, so that the toner is not scattered.
- The following explains the warning messages on the plastic bag used in this product's packaging.
 - Keep the polythene materials (bags, etc.) supplied with this machine away from babies and small children at all times. Suffocation can result if polythene materials are brought into contact with the mouth or nose.

⚠ CAUTION

- Do not crush or squeeze toner containers. Doing so can cause toner spillage, possibly resulting in dirtying of skin, clothing, and floor, and accidental ingestion.
- Store toner (new or used), toner containers, and components that have been in contact with toner out of reach of children.
- If toner or used toner is inhaled, gargle with plenty of water and move into a fresh air environment. Consult a doctor if necessary.

⚠ CAUTION

2

- If toner or used toner gets into your eyes, flush immediately with large amounts of water. Consult a doctor if necessary.
- If toner or used toner is swallowed, dilute by drinking a large amount of water. Consult a doctor if necessary.
- When removing jammed paper or replacing toner, avoid getting toner (new or used) on your clothing. If toner comes into contact with your clothing, wash the stained area with cold water. Hot water will set the toner into the fabric and make removing the stain impossible.
- When removing jammed paper or replacing toner, avoid getting toner (new or used) on your skin. If toner comes into contact with your skin, wash the affected area thoroughly with soap and water.
- When replacing a toner or waste toner container or consumables with toner, make sure that the toner does not splatter. Put the waste consumables in a bag after they are removed. For consumables with a lid, make sure that the lid is shut.
- Do not attempt to print on stapled sheets, aluminum foil, carbon paper, or any kind of conductive paper. Doing so risks fire.
- Keep SD cards or USB flash memory devices out of reach of children. If a child accidentally swallows an SD card or USB flash memory device, consult a doctor immediately.

Safety Labels of This Machine

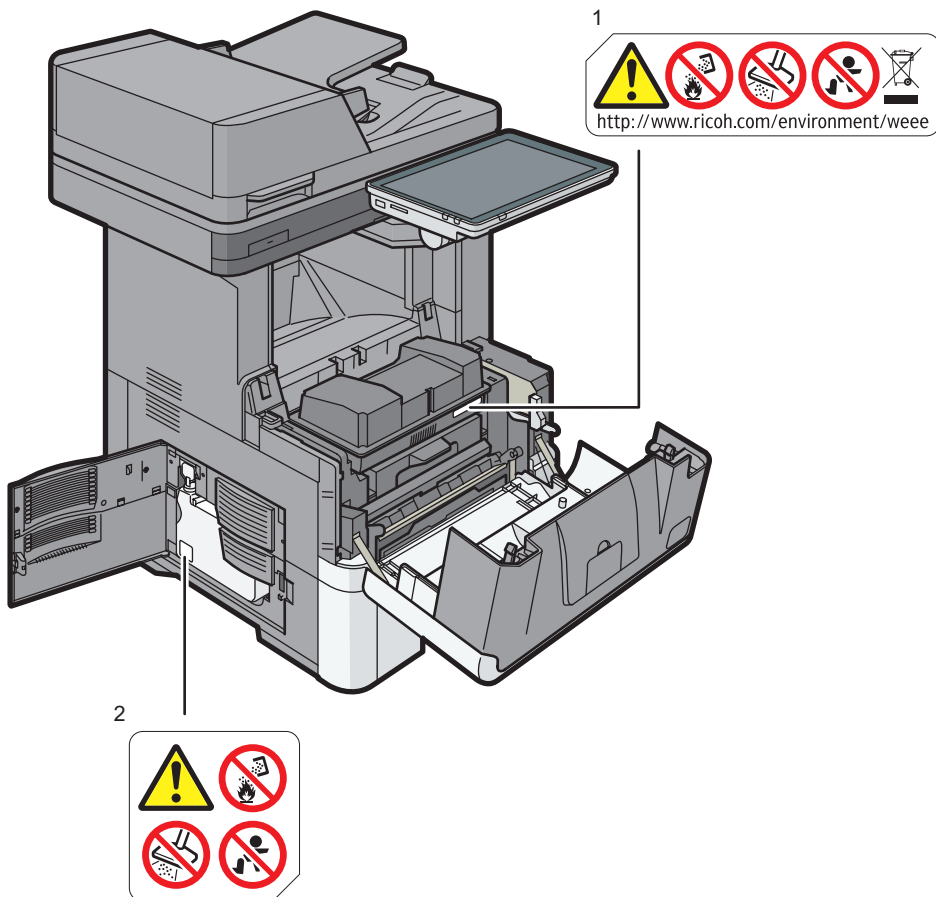
This section explains the machine's safety information labels.

Positions of WARNING and CAUTION labels

This machine has labels for ⚠WARNING and ⚠CAUTION at the positions shown below. For safety, please follow the instructions and handle the machine as indicated.

Main unit

Front and Left Side



1.

DPK001

Do not incinerate toner bottles. Doing so risks burns as toner will ignite on contact with naked flame.

Do not use a vacuum cleaner to remove spilled toner. Absorbed toner may cause a fire or explosion due to electrical contact sparking inside the vacuum cleaner.

Store toner bottles out of reach of children. If a child accidentally swallows toner, consult a doctor immediately.

Do not hold the toner bottle one-handed, use both hands and hold it firmly without shaking it.

Accidentally dropping the waste toner bottle may damage it. If toner scatters, you may inhale it. Also, your clothes or hands, or floor will be dirty.

2.

Do not incinerate waste toner bottles. Doing so risks burns as toner will ignite on contact with naked flame.

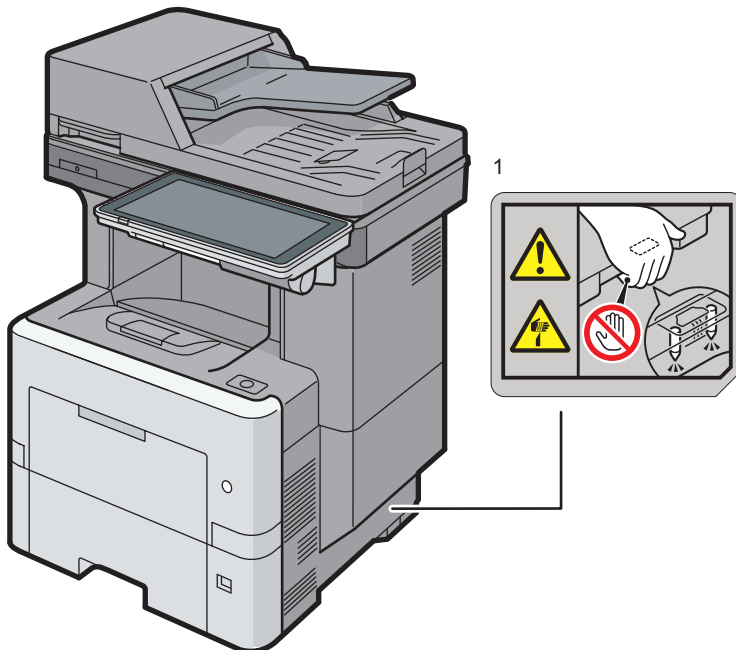
Do not use a vacuum cleaner to remove spilled waste toner. Absorbed toner may cause a fire or explosion due to electrical contact sparking inside the vacuum cleaner.

Store waste toner bottles out of reach of children. If a child accidentally swallows toner, consult a doctor immediately.

Do not hold the waste toner bottle one-handed, use both hands and hold it firmly without shaking it.

Accidentally dropping the waste toner bottle may damage it. If toner scatters, you may inhale it. Also, your clothes or hands, or floor will be dirty.

Front and Right side

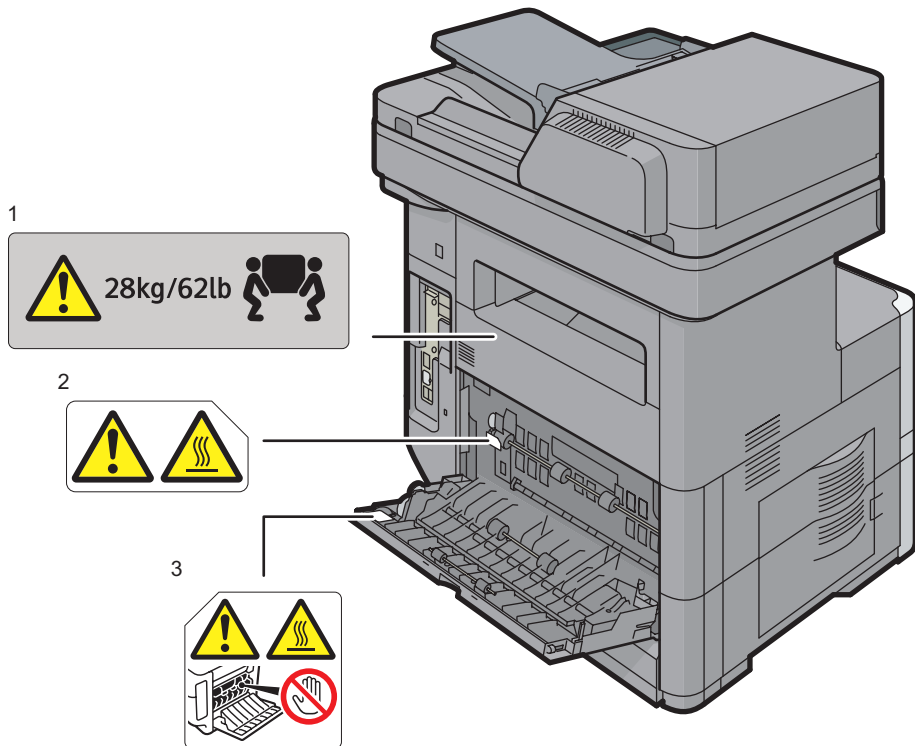


DPK003

1

There are protruding parts on the lower side of this machine, which is near this label. Do not touch the lower part of this machine or areas near this label.

Rear Side



DPK002

1.

The machine weighs approximately 28 kg (62 lb.).

When moving the machine, use the inset grips on both sides.

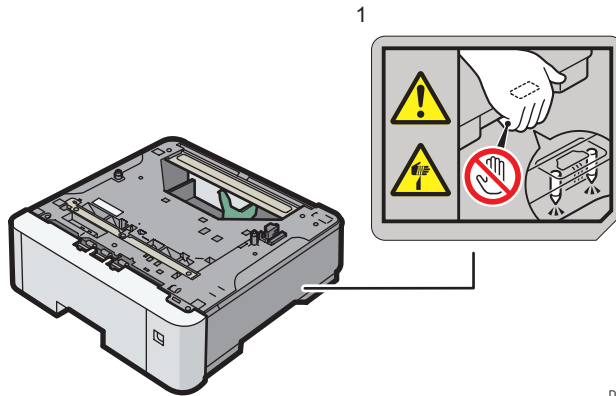
2, 3

Do not touch the parts a label indicates. The inside and surface of the fusing unit could be very hot.

Caution should be taken when removing misfed paper.

500-sheet paper feed unit

2



DPK004

1

There are protruding parts on the lower side of this machine, which is near this label. Do not touch the lower part of this machine or areas near this label.

Symbols Power Switch

Symbols for power switch that are used for this machine are as follows:

-  : STANDBY

3. Other Information for This Machine

This chapter describes laws and regulations related to this machine.

Laws and Regulations

Duplication and Printing Prohibited

Do not copy or print any item for which reproduction is prohibited by law.

Copying or printing the following items is generally prohibited by local law:

bank notes, revenue stamps, bonds, stock certificates, bank drafts, checks, passports, driver's licenses.

The preceding list is meant as a guide only and is not inclusive. We assume no responsibility for its completeness or accuracy. If you have any questions concerning the legality of copying or printing certain items, consult with your legal advisor.

Laser Safety

Laser Safety

This equipment complies with requirements of 21 CFR Subchapter J for class I laser product. This equipment contains two monolithic array laser diodes, 660–680 nanometer wavelength for each emitter. The beam divergence angle is 16 degrees (minimum) and 24 degrees (maximum) in the vertical direction, and 7 degrees (minimum) and 13 degrees (maximum) in the horizontal direction, and laser beams are generated in Continuous Wave (CW) mode. The maximum output power of the light source is 25 milliwatt.

Caution

Use of controls or adjustments or performance of procedures other than those specified in this manual might result in hazardous radiation exposure.

Notes to USA Users of FCC Requirements

Part 15 of the FCC Rules

Note:

This equipment has been tested and found to comply with the limits for a Class B digital device, pursuant to Part 15 of the FCC Rules. These limits are designed to provide reasonable protection against harmful interference in a residential installation. This equipment generates, uses and can

radiate radio frequency energy and, if not installed and used in accordance with the instructions, may cause harmful interference to radio communications. However, there is no guarantee that interference will not occur in a particular installation. If this equipment does cause harmful interference to radio or television reception, which can be determined by turning the equipment off and on, the user is encouraged to try to correct the interference by one or more of the following measures:

- Reorient or relocate the receiving antenna.
- Increase the separation between the equipment and receiver.
- Connect the equipment into an outlet on a circuit different from that to which the receiver is connected.
- Consult the dealer or an experienced radio /TV technician for help.

Caution:

Changes or modifications not expressly approved by the party responsible for compliance could void the user's authority to operate the equipment.

This transmitter must not be co-located or operated in conjunction with any other antenna or transmitter.

This equipment complies with FCC radiation exposure limits set forth for an uncontrolled environment and meets the FCC radio frequency (RF) Exposure Guidelines. This equipment should be installed and operated keeping the radiator at least 20 cm or more away from person's body (excluding extremities: hands, wrists, feet and ankles).

Declaration of Conformity

This device complies with Part 15 of the FCC Rules.

Operation is subject to the following two conditions:

- (1) This device may not cause harmful interference, and
- (2) this device must accept any interference received, including interference that may cause undesired operation.

Responsible party: Ricoh USA, Inc.

Address: 70 Valley Stream Parkway Malvern, Pennsylvania 19355

Telephone number: 610-296-8000

Product Name: Multi Function Peripheral

Model Number:

- MP 501 SPF
- MP 601 SPF

Installing the Ferrite Core

A telephone line cable with a ferrite core must be used for RF interference suppression.

Part 68 of the FCC Rules regarding Facsimile Unit

1. This equipment complies with Part 68 of the FCC rules. On the cover of this equipment is a label that contains, among other information, the FCC registration number and ringer equivalence number (REN) for this equipment. If requested, this information must be provided to the telephone company.
2. This equipment uses the RJ11C USOC jack.
3. A plug and jack used to connect this equipment to the premises wiring and telephone network must comply with the applicable FCC Part 68 rules and requirements adopted by the ACTA. A compliant telephone cord and modular plug is provided with this product. It is designed to be connected to a compatible modular jack that is also compliant. See installation instructions for detail.
4. The REN is used to determine the number of devices that may be connected to a telephone line. Excessive RENs on a telephone line may result in the devices not ringing in response to an incoming call. In most but not all areas, the sum of RENs should not exceed five (5.0). To be certain of the number of devices that may be connected to a line, as determined by the total RENs, contact the local telephone company.
5. If this equipment causes harm to the telephone network, the telephone company will notify you in advance that temporary discontinuance of service may be required. But if advance notice is not practical, the telephone company will notify the customer as soon as possible. Also, you will be advised of your right to file a complaint with the FCC if you believe it is necessary.
6. The telephone company may make changes in its facilities, equipment, operations or procedures that could affect the operation of the equipment. If this happens the telephone company will provide advance notice in order for you to make necessary modifications to maintain uninterrupted service.
7. If trouble is experienced with this equipment, for repair or warranty information, please contact Ricoh USA, Inc. Customer Support Department at 1-888-456-6457. If this device is causing problems with your telephone network, the telephone company may request that you disconnect the equipment until the problem is resolved.
8. In the event of operation problems (document jam, copy jam, communication error indication), see the manual provided with this machine for instruction on resolving the problem.
9. Connection to party line service is subject to state tariffs. Contact the state public utility commission, public service commission or corporation commission for information.
10. If your home has specially wired alarm equipment connected to the telephone line, ensure the installation of this equipment does not disable your alarm equipment. If you have questions about what will disable alarm equipment, consult your telephone company or a qualified installer.

WHEN PROGRAMMING EMERGENCY NUMBERS AND/OR MAKING TEST CALLS TO EMERGENCY NUMBERS:

1. Remain on the line and briefly explain to the dispatcher the reason for the call before hanging up.

2. Perform such activities in the off-peak hours, such as early morning hours or late evenings.

The Telephone Consumer Protection Act of 1991 makes it unlawful for any person to use a computer or other electronic device, including FAX machines, to send any message unless such message clearly contains in a margin at the top or bottom of each transmitted page or on the first page of the transmission, the date and time it is sent and an identification of the business or other entity, or other individual sending the message and the telephone number of the sending machine or such business, other entity, or individual. (The telephone number provided may not be a 900 number or any other number for which charges exceed local or long-distance transmission charges.)

In order to program this information into your FAX machine, you should complete the following steps: Follow the FAX HEADER programming procedure in the Programming chapter of the operating instructions to enter the business identification and telephone number of the terminal or business. This information is transmitted with your document by the FAX HEADER feature. In addition to the information, be sure to program the date and time into your machine.

3

Important Safety Instructions for Facsimile Unit

When using your telephone equipment, basic safety precautions should always be followed to reduce the risk of fire, electric shock and injury to persons, including the following:

- Do not use this product near water, for example, near a bath tub, wash bowl, kitchen sink or laundry tub, in a wet basement or near a swimming pool.
- Avoid using a telephone during an electrical storm. There may be a remote risk of electric shock from lightning.
- Do not use a telephone in the vicinity of a gas leak to report the leak.
- Use only the power cord and batteries indicated in this manual. Do not dispose of batteries in a fire. They may explode. Check with local codes for possible special disposal instructions.

Save these instructions.

IMPORTANTES MESURES DE SÉCURITÉ de l'unité Fax

Certaines mesures de sécurité doivent être prises pendant l'utilisation de matériel téléphonique afin de réduire les risques d'incendie, de choc électrique et de blessures. En voici quelques-unes:

- Ne pas utiliser l'appareil près de l'eau, p.ex., près d'une baignoire, d'un lavabo, d'un évier de cuisine, d'un bac à laver, dans un sous-sol humide ou près d'une piscine.
- Éviter d'utiliser le téléphone (sauf s'il s'agit d'un appareil sans fil) pendant un orage électrique. Ceci peut présenter un risque de choc électrique causé par la foudre.
- Ne pas utiliser l'appareil téléphonique pour signaler une fuite de gaz s'il est situé près de la fuite.
- Utiliser seulement le cordon d'alimentation et le type de piles indiqués dans ce manuel. Ne pas jeter les piles dans le feu: elles peuvent exploser. Se conformer aux règlements pertinents quant à l'élimination des piles.

Conserver ces instructions.

Notes to Canadian Users of Wireless Devices

This device complies with Industry Canada licence-exempt RSS standard(s).

Operation is subject to the following two conditions:

- (1) this device may not cause interference, and
- (2) this device must accept any interference, including interference that may cause undesired operation of the device.

For users of Wireless LAN board:

The device for the band 5150-5250 MHz is only for indoor usage to reduce potential for harmful interference to co-channel Mobile Satellite systems.

The maximum antenna gain permitted for devices in the bands 5250-5350 MHz and 5470-5725 MHz shall comply with the e.i.r.p. limit.

The maximum antenna gain permitted for devices in the band 5725-5825 MHz shall comply with the e.i.r.p. limits specified for point-to-point and non point-to-point operation as appropriate.

High-power radars are allocated as primary users (i.e. priority users) of the bands 5250-5350 MHz and 5650-5850 MHz and these radars could cause interference and/or damage to LE-LAN devices.

Remarques à l'attention des utilisateurs canadiens d'appareils sans fil

Le présent appareil est conforme aux CNR d'Industrie Canada applicables aux appareils radio exempts de licence.

L'exploitation est autorisée aux deux conditions suivantes :

- (1) l'appareil ne doit pas produire de brouillage, et
- (2) l'appareil doit accepter tout brouillage radioélectrique subi, même si le brouillage est susceptible d'en compromettre le fonctionnement.

À l'attention des utilisateurs de la carte LAN sans fil:

Les périphériques fonctionnant dans la bande 5 150 - 5 250 MHz sont réservés uniquement pour une utilisation à l'intérieur afin de réduire les risques de brouillage préjudiciable aux systèmes de satellites mobiles utilisant les mêmes canaux.

Le gain maximal d'antenne permis pour les périphériques utilisant les bandes 5 250 - 5 350 MHz et 5 470 - 5 725 MHz doit se conformer à la limite de p.i.r.e.

Le gain maximal d'antenne permis pour les périphériques utilisant la bande 5 725 - 5 825 MHz doit se conformer à la limite de p.i.r.e. spécifiée pour l'exploitation point à point et non point à point, selon le cas.

Les utilisateurs de radars de haute puissance sont désignés utilisateurs principaux (c.-à-d., qu'ils ont la priorité) pour les bandes 5 250 - 5 350 MHz et 5 650 - 5 850 MHz et ces radars pourraient causer du brouillage et/ou des dommages aux périphériques LE-LAN.

Notes to Canadian Users of Facsimile Unit

This product meets the applicable Industry Canada technical specifications.

The Ringer Equivalence Number is an indication of the maximum number of devices allowed to be connected to a telephone interface. The termination on an interface may consist of any combination of devices subject only to the requirement that the sum of the RENs of all the devices does not exceed five.

3

Remarques à l'attention des utilisateurs canadiens de l'unité Fax

Le présent matériel est conforme aux spécifications techniques applicables d'Industrie Canada.

L'indice d'équivalence de la sonnerie (IES) sert à indiquer le nombre maximal de terminaux qui peuvent être raccordés à une interface téléphonique. La terminaison d'une interface peut consister en une combinaison quelconque de dispositifs, à la seule condition que la somme d'indices d'équivalence de la sonnerie de tous les dispositifs n'excède pas 5.

4. Appendix

This appendix describes trademarks for the machine.

Trademarks

Adobe is a trademark of Adobe Systems Incorporated in the United States and/or other countries.

Firefox is a registered trademark of the Mozilla Foundation.

Google and Chrome are trademarks of Google Inc.

Microsoft, Windows, and Internet Explorer are either registered trademarks or trademarks of Microsoft Corporation in the United States and/or other countries.

Safari is a trademark of Apple Inc., registered in the United States and other countries.

The SD is a trademark of SD-3C, LLC.

The proper names of Internet Explorer 8, 9, 10 and 11 are as follows:

- Windows® Internet Explorer® 8
- Windows® Internet Explorer® 9
- Internet Explorer® 10
- Internet Explorer® 11

Other product names used herein are for identification purposes only and might be trademarks of their respective companies. We disclaim any and all rights to those marks.

MEMO

Leer antes de empezar

Manuales suministrados con esta máquina	1
Información de seguridad de esta máquina	2
Más información sobre esta máquina	3
Apéndice	4

Para información no contenida en los manuales en papel, consulte los manuales en línea disponibles en nuestra web (<http://www.rioh.com/>) o vía el panel de mandos.



Lea atentamente este manual antes de utilizar la máquina y guárdelo a mano para consultarlo en el futuro. Para un uso seguro y correcto, lea "Información de seguridad" antes de utilizar la máquina.

Español



CONTENIDO

Cómo leer los manuales.....	2
Símbolos utilizados en los manuales.....	2
Exención de responsabilidades.....	2
Notas.....	3
Tipos de máquina.....	3

1. Manuales suministrados con esta máquina

Manuales para esta máquina.....	5
Cómo utilizar las Instrucciones de uso.....	7
Leer los manuales HTML	7
Leer los manuales HTML en el panel de mandos.....	8

2. Información de seguridad de esta máquina

Símbolos de seguridad de esta máquina.....	9
Información de seguridad.....	10
Seguridad durante la utilización.....	10
Precauciones de seguridad necesarias.....	10
Etiquetas de seguridad de esta máquina.....	18
Posición de las etiquetas de ADVERTENCIA y PRECAUCIÓN.....	18
Símbolos del interruptor de encendido.....	22

3. Más información sobre esta máquina

Leyes y normativas.....	23
Duplicación e impresión prohibidas.....	23
Seguridad del láser.....	23
Notas para los usuarios de EE. UU. sobre requisitos de la FCC.....	24
Instrucciones de seguridad importantes para la Unidad de fax.....	26
Notas para los usuarios de dispositivos inalámbricos en Canadá.....	27
Notas para usuarios de la Unidad de fax en Canadá.....	28

4. Apéndice

Marcas comerciales.....	29
-------------------------	----

Cómo leer los manuales

Símbolos utilizados en los manuales

En este manual se utilizan los siguientes símbolos:

Importante

Indica cuestiones a las que hay que prestar atención cuando se utilice la máquina, así como explicaciones sobre las posibles causas de atascos de papel, daños a los originales o pérdidas de datos. Asegúrese de leer estas explicaciones.

Nota

Incluye explicaciones adicionales acerca de las funciones de la máquina e instrucciones sobre cómo resolver los errores de usuario.

Referencia

Este símbolo se encuentra al final de las secciones. Indica dónde puede encontrar más información relevante.

[]

Indica los nombres de las teclas que aparecen en la pantalla o en los paneles de mandos de la máquina.




Indica las instrucciones mostradas en el panel de mandos.



Indica las instrucciones en formato de hoja.

 **Region A** (principalmente Europa y Asia), (principalmente Europa) o (principalmente Asia)

 **Region B** (principalmente Norteamérica)

Las diferencias entre las funciones de los modelos de la región A y la región B se indican mediante estos dos símbolos. Lea la información indicada por el símbolo correspondiente a la región del modelo que está utilizando. Para más información sobre qué símbolo corresponde al modelo que está utilizando, consulte *Cómo empezar* .

Exención de responsabilidades

En la medida en que lo permita la legislación aplicable, el fabricante no será responsable de ningún daño causado por fallos de esta máquina, pérdida de documentos o datos, o el uso o no uso de este producto y los manuales de producto que se proporcionan con el mismo.

Asegúrese siempre de realizar copias o tener copias de seguridad de los datos registrados en esta máquina. Es posible que se borren documentos y datos por un error operativo o alguna avería de la máquina.

En ningún caso el fabricante será responsable de documentos creados por usted mediante esta máquina, ni cualquier resultado de los datos ejecutados por usted.

Notas

El contenido de este manual está sujeto a cambios sin previo aviso.

El fabricante no será responsable de ningún daño o gasto que pudiera derivarse del uso de piezas no originales del fabricante en sus productos de oficina.

Para una buena calidad de impresión, el fabricante recomienda el uso de tóner original del fabricante.

Algunas ilustraciones de este manual podrían ser ligeramente diferentes de la máquina.

Tipos de máquina

Compruebe de qué tipo es su máquina antes de leer los manuales.

- Tipo 1: MP 501SPF
- Tipo 2: MP 601SPF

Es posible que en algunos países no puedan encontrarse algunos tipos de dispositivo. Para obtener más información, póngase en contacto con su proveedor local.

Algunas opciones podrían no estar disponibles en algunos países. Para obtener más información, póngase en contacto con su proveedor local.

Dependiendo del país en el que se encuentre, algunas unidades pueden ser opcionales. Para obtener más información, póngase en contacto con su proveedor local.



1. Manuales suministrados con esta máquina

Este capítulo explica los manuales para esta máquina.

Manuales para esta máquina

Las instrucciones de uso de esta máquina se proporcionan en los siguientes formatos:

Formato	Manuales
Manuales impresos	<ul style="list-style-type: none">• Leer antes de empezar• Guía de inicio• Guía de Instalación Rápida
CD-ROM	<ul style="list-style-type: none">• Guía de instalación del driver
Manuales mostrados en el panel de mandos	<ul style="list-style-type: none">• Instrucciones de uso (manuales HTML)
Página web	<ul style="list-style-type: none">• Leer antes de empezar• Guía de usuario• Guía de inicio• Instrucciones de uso (manuales HTML)• Guía rápida de referencia• Guía de Instalación Rápida• Guía de instalación del driver

Leer antes de empezar

Antes de utilizar la máquina, asegúrese de leer la sección Información de seguridad incluida en este manual. También contiene información sobre la conformidad medioambiental y normativas.

Guía de inicio

Describe cómo leer los manuales en el panel de mandos. También describe cómo iniciar sesión en la máquina.

Guía de usuario

En relación al uso básico de esta máquina, se proporcionan para cada manual de usuario resúmenes sobre las funciones utilizadas con más frecuencia, detección de errores al aparecer un mensaje de error, etc.

Instrucciones de uso (manuales HTML)

Describe la configuración para usar la máquina, cómo usar las funciones para copiar, comunicarse por fax, imprimir, escanear o para llevar a cabo el mantenimiento y especificaciones, detección de errores, ajustes de sistema y funciones de seguridad.

Los manuales están disponibles en inglés, alemán, francés, italiano, español, neerlandés y ruso.

La Guía de usuario y la Guía de seguridad están disponibles en los siete idiomas anteriores y en otros idiomas.

Para más información sobre cómo utilizar los manuales HTML, consulte Pág. 7 "Cómo utilizar las Instrucciones de uso".

Guía rápida de referencia

Por página describe las funciones básicas de copia, fax y escaneo.

- Guía rápida de copiadora
- Guía rápida de fax
- Guía rápida de escáner


Guía de Instalación Rápida

Describe los procedimientos para el desembalaje e instalación de la máquina, que incluye la carga de papel y la instalación del cartucho de impresión y de la botella de tóner residual, etc.

Guía de instalación del driver

Describe cómo instalar y configurar cada driver. Este manual está incluido en el CD de drivers.

Nota

- Antes de configurar los ajustes ampliados de seguridad y autenticación, vea la Guía de seguridad .
- Puede descargarse información sobre el certificado de la máquina, basado en un sistema de certificación de seguridad de TI (de aquí en adelante Certificado CC), desde https://support-download.com/services/device/ccmanual/mp_501_601/en/download_admin.html y https://support-download.com/services/device/ccmanual/mp_501_601/en/download_user.html. Esta información hace referencia a cómo configurar la máquina. Si ha adquirido una máquina con Certificado CC, asegúrese de leerlo antes de utilizarla para realizar los ajustes necesarios.
- Podrá consultar los siguientes manuales en la página web.
 - Apéndice
 - DHCP Opción 204

Cómo utilizar las Instrucciones de uso

Este capítulo describe las instrucciones de uso de esta máquina.

1

Leer los manuales HTML

Se recomiendan los siguientes navegadores para leer los manuales HTML.

- Internet Explorer 8/9/10/11
- Firefox 29
- Safari 5.1.7
- Chrome 35

Nota

- Si JavaScript está inhabilitado o no disponible en su navegador, no podrá buscar o utilizar determinados botones en la documentación en HTML.
- La resolución de pantalla necesaria es de 1.024 × 768 píxeles o más.
- En la ayuda de la parte superior derecha de la pantalla puede consultar cómo utilizar los manuales HTML. Los temas de ayuda explican los iconos y botones que se muestran en los manuales HTML.

Busque lo que quiera hacer o lo que puede hacer


Mediante la Búsqueda fácil, puede buscar lo que quiera hacer o lo que puede hacer con esta máquina.

1. Haga clic en la búsqueda fácil de la parte superior de la página.
2. Haga clic en un título para que se muestre el artículo que quiera leer.

Búsqueda mediante una palabra clave

Puede buscar en los manuales HTML.

Esta sección explica cómo buscar "dúplex".

1. Introduzca "dúplex" en el recuadro de búsqueda de la parte superior izquierda de la pantalla.
2. Haga clic en .

Aparece una lista de títulos o descripciones que incluyen la palabra "dúplex".


Aparece el resultado de la búsqueda en la ventana de resultados de búsqueda. Además, puede usar el menú desplegable para seleccionar un manual.

3. Haga clic en un título para que se muestre el artículo que quiera leer.

↓ Nota

- Utilice palabras clave para buscar los artículos que quiera consultar. Dependiendo de la palabra clave que utilice también pueden aparecer palabras clave relacionadas.
- Los artículos que incluyan la palabra clave utilizada aparecerán en la ventana de resultados de búsqueda.
- Si pone un espacio en blanco entre las palabras clave, se mostrarán las páginas que contengan ambas palabras clave. Por ejemplo, si escribe "dúplex" un espacio y "copia", los artículos que incluyan ambas palabras aparecerán en la ventana de resultados de la búsqueda.)

Leer los manuales HTML en el panel de mandos

También puede leer los manuales HTML en el panel de mandos. Para más información sobre cómo leer los manuales HTML en el panel de mandos, consulte la Guía de inicio .

2. Información de seguridad de esta máquina

Este capítulo describe precauciones de seguridad.

Símbolos de seguridad de esta máquina

2

El significado de los símbolos de seguridad para esta máquina es el siguiente:

	Precaución
	Atención: elemento cortante
	No tocar
	No tirar al fuego
	No usar un aspirador
	Mantener fuera del alcance de los niños
	Precaución, superficie caliente

Información de seguridad

Seguridad durante la utilización

2

En este manual se utilizan los siguientes símbolos importantes:

ADVERTENCIA

Indica una situación potencialmente peligrosa que, de no seguirse las instrucciones, podría provocar lesiones graves e incluso la muerte.

PRECAUCIÓN

Indica una situación potencialmente peligrosa que, de no seguirse las instrucciones, podría provocar lesiones leves o moderadas o dañar la propiedad.

Precauciones de seguridad necesarias

Esta sección contiene recomendaciones de seguridad que debe respetar cuando utilice esta máquina.

Entornos en los que se puede utilizar la máquina

Esta sección contiene recomendaciones de seguridad acerca de los entornos en los que se puede utilizar la máquina.

ADVERTENCIA

- No utilice aerosoles inflamables ni disolventes en las proximidades de la máquina. Asimismo, evite colocar estos elementos cerca de esta máquina. De hacerlo, podría producirse un incendio o una descarga eléctrica.

- No coloque jarrones, macetas, tazas, artículos de tocador, medicamentos, objetos metálicos pequeños o envases con agua u otros líquidos, encima o cerca de esta máquina. Se podría producir un incendio o una descarga eléctrica si hay un derrame o si dichos objetos o sustancias caen dentro de la máquina.

PRECAUCIÓN

- Mantenga la máquina alejada de la humedad y el polvo. De lo contrario podría producirse un incendio o una descarga eléctrica.

- No coloque la máquina sobre una superficie inestable o inclinada. Si vuelca, podría causar daños físicos.

PRECAUCIÓN

- No coloque ningún objeto pesado encima de la máquina. De lo contrario, la máquina podría caer y provocar lesiones.
- Asegúrese de que la sala en la que ha ubicado la máquina está bien ventilada y es suficientemente espaciosa. Una buena ventilación es muy importante si utiliza la máquina con mucha frecuencia.
- No obstruya las rejillas de ventilación de la máquina. De lo contrario, el sobrecalentamiento de los componentes internos podría provocar un incendio.

2

Manipulación de los cables eléctricos y los enchufes de los cables eléctricos

Esta sección contiene recomendaciones de seguridad acerca de la manipulación de los cables de alimentación y los enchufes.

ADVERTENCIA

- No utilice ninguna fuente de alimentación distinta a las indicadas en las especificaciones. De hacerlo, podría producirse un incendio o una descarga eléctrica.
- No utilice ninguna frecuencia distinta a las indicadas en las especificaciones. De hacerlo, podría producirse un incendio o una descarga eléctrica.
- No utilice adaptadores con tomas múltiples. De hacerlo, podría producirse un incendio o una descarga eléctrica.
- No utilice cables alargadores. De hacerlo, podría producirse un incendio o una descarga eléctrica.
- No utilice cables de alimentación que estén dañados, rotos o modificados. No use tampoco cables de alimentación que hayan sido estirados, doblados fuertemente o que hayan quedado atrapados debajo de objetos pesados. De hacerlo, podría producirse un incendio o una descarga eléctrica.
- Tocar las clavijas del conector del cable de alimentación con algo metálico puede suponer un riesgo de incendio o de descarga eléctrica.
- El cable de alimentación suministrado sólo puede utilizarse con esta máquina. No lo utilice en otros aparatos. De hacerlo, podría producirse un incendio o una descarga eléctrica.

ADVERTENCIA

- Es peligroso manipular el conector del cable de alimentación con las manos mojadas. Hacerlo podría provocar una descarga eléctrica.

- Si el cable de alimentación está dañado y sus hilos internos quedan a la vista o están rotos, póngase en contacto con su representante de servicio técnico para que lo sustituya. El uso de cables de alimentación dañados puede desencadenar un incendio o provocar una descarga eléctrica.

- Debe desconectar el enchufe de la toma de corriente al menos una vez al año y comprobar lo siguiente:
 - Que no haya marcas de quemaduras en el enchufe.
 - Que los salientes del enchufe no estén deformados.
- Si se produce alguna de las condiciones anteriores, no utilice el enchufe y consulte a su distribuidor o representante del servicio técnico. El uso de enchufes dañados podría producir incendios o descargas eléctricas.

- Desconecte el cable de corriente de la toma de pared al menos una vez al año y compruebe lo siguiente:
 - Que los cables del interior del cable de corriente no se vean, estén rotos, etc.
 - Que el recubrimiento del cable de corriente no tenga grietas o esté rasgado.
 - Al doblar el cable de corriente, la máquina se apaga y enciende.
 - Parte del cable de corriente se calienta demasiado.
 - El cable de corriente está dañado.
- Si se produce alguna de las condiciones anteriores, no utilice el cable de alimentación y consulte a su distribuidor o representante de servicio. El uso de cables de alimentación podría producir incendios o descargas eléctricas.

PRECAUCIÓN

- Asegúrese de insertar completamente el enchufe del cable de alimentación a la toma de la pared. Un enchufe mal insertado crea una conexión inestable que puede provocar la acumulación de calor.

- Si la máquina va a estar en desuso durante varios días, desconecte el cable de alimentación de la toma de pared.

- Cuando desconecte el cable de alimentación de la toma de corriente, tire siempre del conector, nunca del cable. Si tira del cable, podría dañarlo. El uso de cables de alimentación dañados puede desencadenar un incendio o provocar una descarga eléctrica.

PRECAUCIÓN

- Asegúrese de desenchufar el cable de la toma de la pared y limpiar las clavijas del enchufe y el área que las rodea al menos una vez al año. Si se acumula polvo, existe riesgo de incendio.

- Cuando vaya a realizar cualquier tarea de mantenimiento en la máquina, desconecte siempre el cable de alimentación de la toma de corriente.

- Fuente de alimentación

120–127 V, 11 A, 60 Hz

Asegúrese de conectar el cable de alimentación a una fuente de alimentación del tipo arriba indicado.

Manipulación de la máquina principal

Esta sección contiene recomendaciones de seguridad acerca de la manipulación de la máquina.

ADVERTENCIA

- Asegúrese de ubicar la máquina lo más cerca posible de una toma de corriente. Esto permitirá una fácil desconexión del cable de alimentación en caso de emergencia.

- Si la máquina emite humo o un olor extraño o se comporta de un modo poco habitual, apague la alimentación inmediatamente. Después de apagar la máquina, asegúrese de desconectar el enchufe del cable de alimentación de la toma de pared. A continuación, póngase en contacto con el representante del servicio técnico e infórmele del problema. No use la máquina. De hacerlo, podría producirse un incendio o una descarga eléctrica.

- Si caen objetos metálicos, agua u otro líquido en el interior de la máquina, deberá apagar la alimentación inmediatamente. Después de apagar la máquina, asegúrese de desconectar el enchufe del cable de alimentación de la toma de pared. A continuación, póngase en contacto con el representante del servicio técnico e infórmele del problema. No use la máquina. De hacerlo, podría producirse un incendio o una descarga eléctrica.

- No toque la máquina cuando haya una tormenta con rayos en las inmediaciones. Hacerlo podría provocar una descarga eléctrica.

- A continuación, se explican los mensajes de advertencia que se indican en la bolsa de plástico utilizada para el embalaje de este producto.

- Mantenga siempre los materiales de polietileno (bolsas, etc.) proporcionados con esta máquina fuera del alcance de los niños. Se podría producir asfixia si los materiales de polietileno entran en contacto con la boca o la nariz.

PRECAUCIÓN

- Desenchufe el cable de alimentación de la toma de corriente antes de mover la máquina. Cuando mueva la máquina, tenga cuidado de que el cable de alimentación no acabe debajo de la máquina y resulte dañado. Si no se toman estas precauciones podría producirse un incendio o una descarga eléctrica.
- Si tiene que trasladar la máquina con la unidad de la bandeja de papel opcional instalada, no empuje la sección superior de la unidad principal. De hacerlo, la unidad de la bandeja de papel opcional podría soltarse, pudiendo provocar daños.
- La máquina pesa aproximadamente 28 kg (62 lb.).
- Cuando mueva la impresora, utilice las asas de sujeción en ambos laterales y levántela con cuidado. La máquina se romperá o provocará daños si cae.
- Si levanta la unidad de alimentación de papel sin tener cuidado o la deja caer podría lesionarse.
- Después de trasladar la máquina, fíjela en su ubicación con la sujeción pivotante. De lo contrario, puede moverse o caerse y provocar daños físicos.
- Póngase en contacto con un representante del servicio técnico si necesita levantar la máquina (para colocar la máquina en otra ubicación en el mismo edificio, por ejemplo). No intente levantar la máquina sin la ayuda del representante del servicio técnico. La máquina se puede dañar si se cae, provocando averías o posibles daños a los usuarios.
- Antes de instalar o retirar opciones, desenchufe siempre los cables de alimentación de la toma de corriente y deje pasar algún tiempo para que la unidad principal se enfríe por completo. De no adoptarse estas precauciones, podrían producirse quemaduras.
- No mire directamente a la lámpara. Puede dañarle los ojos.
- No agarre la máquina del panel de mandos al moverla. De lo contrario, podría dañarse el panel de mandos, causar una avería o provocar alguna lesión.
- No acerque las manos a las bisagras ni al cristal de exposición al bajar el ADF. De lo contrario, puede pillarse las manos o los dedos y lesionarse.

Manipulación del interior de la máquina

Esta sección contiene recomendaciones de seguridad acerca de la manipulación del interior de la máquina.

ADVERTENCIA

- No quite ninguna tapa o tornillo excepto los mencionados explícitamente en este manual. En el interior de la máquina hay componentes sujetos a alta tensión que representan un riesgo de descarga eléctrica y componentes láser que pueden provocar ceguera. En caso de que los componentes internos de la máquina necesiten mantenimiento, ajuste o reparación, póngase en contacto con su representante de ventas o de servicio técnico.
- No intente desmontar ni modificar esta máquina. Si lo hace, puede existir riesgo de quemaduras y descargas eléctricas. Tenga en cuenta una vez más que la exposición a los componentes láser del interior de la máquina puede conllevar riesgo de ceguera.

PRECAUCIÓN

- Algunos de los componentes internos de esta máquina alcanzan temperaturas muy altas. Por ello, tenga cuidado a la hora de retirar un atasco de papel. De lo contrario podría sufrir quemaduras.
- Al retirar el papel atascado, tenga cuidado de no hacerse daño ni pillarse los dedos.
- Al cargar el papel, tenga cuidado de no pillarse ni dañarse los dedos.
- Se han instalado medidas de seguridad para evitar accidentes; no toque los rodillos de la máquina mientras está en funcionamiento. De lo contrario, podría sufrir daños.
- Si no se limpia el interior de la máquina con regularidad, el polvo se acumulará. La acumulación de polvo en el interior de la máquina puede provocar averías e incluso incendios. Póngase en contacto con el servicio técnico o con su representante de ventas para obtener información y tarifas de limpieza del interior de la máquina.

Manipulación de los consumibles de la máquina

Esta sección contiene recomendaciones de seguridad acerca de la manipulación de los consumibles de la máquina.

ADVERTENCIA

- No incinere nunca el tóner (nuevo o usado) ni los recipientes. Hacerlo conllevará riesgo de quemaduras. El tóner comenzará a arder al contacto con una llama abierta.
- No almacene tóner (nuevo o usado) o recipientes en lugares cercanos a llamas abiertas. Hacerlo conllevará riesgos de incendio y quemaduras. El tóner comenzará a arder al contacto con una llama abierta.

ADVERTENCIA

- No utilice un aspirador para retirar el tóner derramado (incluido el tóner usado). El tóner absorbido puede causar un incendio o explosión por contacto eléctrico en el interior del aspirador. Sin embargo, sí que puede utilizarse un aspirador resistente a explosiones y al incendio del polvo. Si se vierte tóner al suelo, retire el tóner vertido lentamente con un paño humedecido, para que el tóner no se disperse.

- A continuación, se explican los mensajes de advertencia que se indican en la bolsa de plástico utilizada para el embalaje de este producto.
 - Mantenga siempre los materiales de polietileno (bolsas, etc.) proporcionados con esta máquina fuera del alcance de los niños. Se podría producir asfixia si los materiales de polietileno entran en contacto con la boca o la nariz.

PRECAUCIÓN

- No aplaste ni comprima los recipientes de tóner. Hacerlo puede provocar derrames de tóner, con la consiguiente posibilidad de que la piel, la ropa y el suelo se manchen, además de una ingestión accidental.

- Almacene fuera del alcance de los niños el tóner (nuevo o usado), los contenedores de tóner, y los componentes que están en contacto con el tóner.

- Si inhala tóner o tóner usado, haga gárgaras con agua abundante y vaya a un entorno con aire fresco. Consulte a un médico si es necesario.

- Si le entra tóner o tóner usado en los ojos, láveselos inmediatamente con abundante agua. Consulte a un médico si es necesario.

- Si se ingiere tóner o tóner usado, disuélvalo bebiendo abundante agua. Consulte a un médico si es necesario.

- Cuando retire papel atascado o sustituya el tóner, evite que éste (ya sea nuevo o usado) entre en contacto con tejidos. En ese caso, lave la zona manchada con agua fría. El agua caliente fija el tóner al tejido y hace que sea imposible su eliminación.

- Cuando retire papel atascado o sustituya el tóner, evite que éste (ya sea nuevo o usado) entre en contacto con la piel. Si el tóner entra en contacto con la piel, lave a conciencia la zona afectada con agua y jabón.

- Al sustituir un tóner, un depósito de tóner residual o consumibles con tóner, asegúrese de que el tóner no salpique. Coloque los consumibles residuales en una bolsa tras extraerlos. Si el consumible tiene una tapa, asegúrese de que la tapa esté cerrada.

PRECAUCIÓN

- No intente imprimir en hojas grapadas, papel de aluminio, papel carbón o cualquier tipo de papel conductor. De lo contrario, podría provocar un incendio.
- Guarde las tarjetas SD y dispositivos de memoria flash USB fuera del alcance de los niños. Si algún niño se traga por accidente una tarjeta SD o dispositivo de memoria flash USB, consulte inmediatamente con un médico.

Etiquetas de seguridad de esta máquina

Esta sección describe las etiquetas de información de seguridad de la máquina.

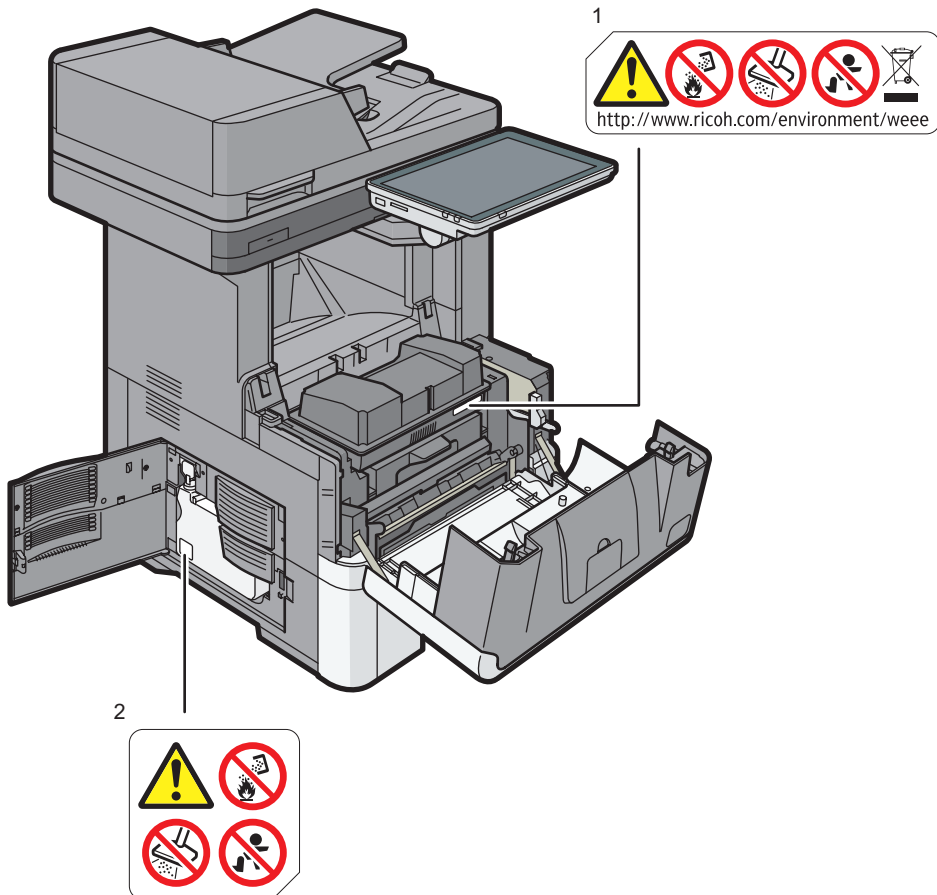
2

Posición de las etiquetas de ADVERTENCIA y PRECAUCIÓN

Esta máquina cuenta con etiquetas de Δ ADVERTENCIA y Δ PRECAUCIÓN en las posiciones que se indican a continuación. Por seguridad, siga las instrucciones y manipule la máquina como se indica.

Unidad principal

Parte delantera y lado izquierdo



1.

DPK001

No incinere las botellas de tóner. Si lo hace, corre el riesgo de quemarse ya que el tóner se enciende en contacto con una llama abierta.

No utilice el aspirador para retirar el tóner derramado. El tóner absorbido puede causar un incendio o explosión por contacto eléctrico en el interior del aspirador.

Almacene las botellas de tóner fuera del alcance de los niños. Si un niño ingiere tóner por accidente, consulte de inmediato con un médico.

No sujete con una sola mano la botella de tóner, utilice ambas manos y sujétela con firmeza sin agitarla.

La botella de tóner residual puede resultar dañada si se le cae accidentalmente. Si el tóner se esparce, corre el riesgo de inhalación. Además, puede mancharse la ropa, las manos o el suelo.

2.

No incinere las botellas de tóner residual. Si lo hace, corre el riesgo de quemarse ya que el tóner se enciende en contacto con una llama abierta.

No utilice el aspirador para retirar el tóner residual derramado. El tóner absorbido puede causar un incendio o explosión por contacto eléctrico en el interior del aspirador.

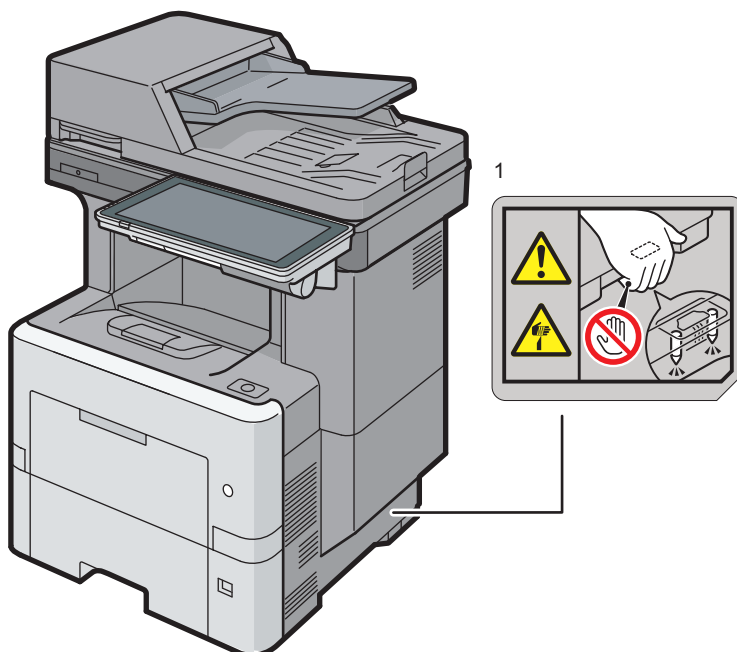
Almacene las botellas de tóner residual fuera del alcance de los niños. Si un niño ingiere tóner por accidente, consulte de inmediato con un médico.

No sujete con una sola mano la botella de tóner residual, utilice ambas manos y sujétela con firmeza sin agitarla.

La botella de tóner residual puede resultar dañada si se le cae accidentalmente. Si el tóner se esparce, corre el riesgo de inhalación. Además, puede mancharse la ropa, las manos o el suelo.

Parte delantera y lado derecho

2

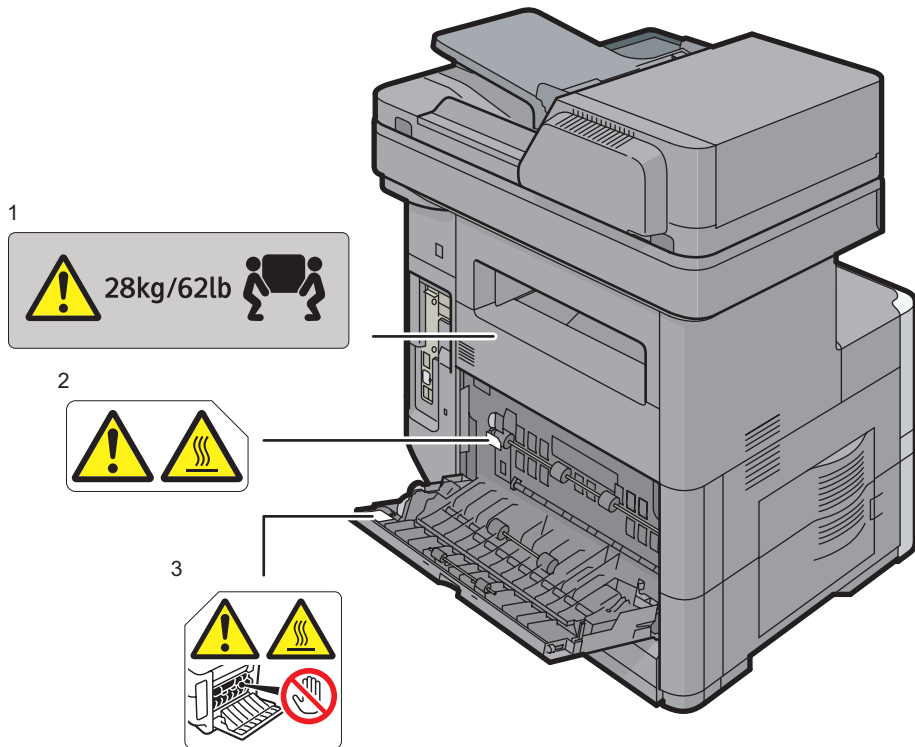


DPK003

1

Hay componentes que sobresalen en la parte inferior de la máquina, que se encuentra cerca de esta etiqueta. No toque la parte inferior de la máquina ni las áreas situadas cerca de esta etiqueta.

Parte posterior



DPK002

1.

La máquina pesa aproximadamente 28 kg (62 lb.).

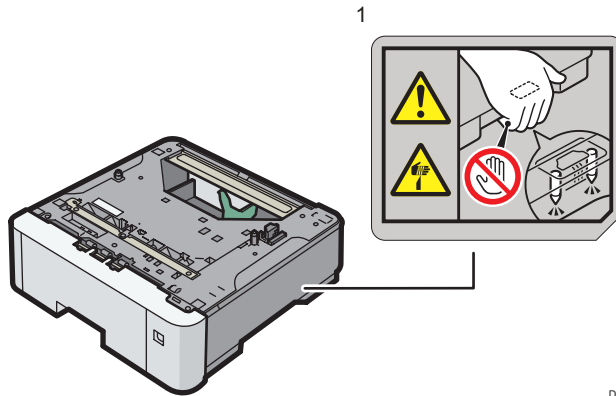
Al mover la máquina, utilice las asas situadas a ambos lados de la unidad.

2, 3

No toque las piezas que llevan una etiqueta. El interior y la superficie de la unidad de fusión pueden estar muy calientes.

Debe tener cuidado cuando retire el papel.

Unidad de alimentación de papel de 500 hojas



DPK004

1

Hay componentes que sobresalen en la parte inferior de la máquina, que se encuentra cerca de esta etiqueta. No toque la parte inferior de la máquina ni las áreas situadas cerca de esta etiqueta.

Símbolos del interruptor de encendido

Los símbolos de interruptor de encendido que se usan en esta máquina son los siguientes:

-  : EN ESPERA

3. Más información sobre esta máquina

Este capítulo describe leyes y normativas que tienen alguna relación con esta máquina.

Leyes y normativas

Duplicación e impresión prohibidas

3

No copie ni imprima ningún elemento cuya reproducción esté prohibida por la ley.

Copiar o imprimir los siguientes elementos generalmente está prohibido por la ley local:

billetes de banco, timbres de impuestos, pagarés, títulos de acciones, efectos interbancarios, cheques, pasaportes, permisos de conducir.

La lista anterior es sólo orientativa y no está completa. No aceptamos ninguna responsabilidad por su integridad o precisión. Si tiene alguna pregunta relativa a la legalidad de la copia o la impresión de determinados artículos, consulte a su asesor legal.

Seguridad del láser

Seguridad del láser

Este equipo cumple con los requisitos del 21 CFR Subchapter J para productos láser de clase I. Este equipo contiene dos diodos láser de matriz monolítica, con una longitud de onda de 660–680 nanómetros para cada emisor. El ángulo de divergencia del rayo es de 16 grados (mínimo) y 24 grados (máximo) en la dirección vertical, y de 7 grados (mínimo) y 13 grados (máximo) en la dirección horizontal; los rayos láser se generan en modo de onda continua (CW). La potencia de salida máxima de la fuente lumínica es 25 milivatios.

Precaución

El uso de controles, ajustes o la realización de procedimientos distintos a los que se indican en este manual podrían provocar la exposición a radiaciones peligrosas.

Notas para los usuarios de EE. UU. sobre requisitos de la FCC

Apartado 15 de la Reglamentación de FCC

Nota:

Este equipo ha sido probado y se ha declarado su conformidad con los límites para los dispositivos digitales de Clase A, en cumplimiento con el apartado 15 de la Reglamentación FCC. Estos límites están diseñados para proporcionar una protección razonable contra cualquier interferencia nociva en residencias. Este equipo genera, utiliza e irradia energía de radiofrecuencia y, si no se instala y utiliza de acuerdo con las instrucciones, puede provocar interferencias en las comunicaciones por radio. No obstante, no se garantiza que no se produzcan interferencias en una instalación en particular. Si este equipo no causa interferencias nocivas en la recepción de radio o televisión, las cuales puede determinarse al apagar y encender el equipo, instamos al usuario a que intente corregir dichas interferencias mediante una o más de las siguientes medidas:

- Reoriente o coloque en otro lugar la antena receptora.
- Aumente la separación entre el equipo y el receptor.
- Conecte el equipo en una toma de un circuito distinto al que está conectado el receptor.
- Pida ayuda al distribuidor o a un técnico experimentado de radio /TV.

Precaución:

Los cambios o modificaciones que no sean aprobados expresamente por el responsable de conformidades pueden anular la autoridad del usuario para utilizar el equipo.

Este transmisor no debe colocarse ni utilizarse junto con otra antena o transmisor.

Este equipo cumple con los límites de exposición a radiación FCC establecidos para controlar los entornos y cumple con las directrices sobre exposición a radiofrecuencia (RF) FCC. Este equipo debe instalarse y utilizarse con el radiador a un mínimo de 20 cm de cualquier persona (excluidas las extremidades: manos, muñecas, pies y tobillos).

Declaración de conformidad

Este dispositivo cumple con el Apartado 15 de la Reglamentación FCC.

El buen funcionamiento del dispositivo está sujeto a las siguientes condiciones:

- (1) Este dispositivo no causa interferencias nocivas, y
- (2) este dispositivo debe aceptar cualquier interferencia recibida, incluidas las interferencias que afecten al funcionamiento del dispositivo.

Responsable: Ricoh USA, Inc.

Dirección: 70 Valley Stream Parkway Malvern, Pennsylvania 19355

Número de teléfono: 610-296-8000

Nombre de producto: Multi Function Peripheral (periférico multifuncional)

Número de modelo:

- MP 501SPF
- MP 601SPF

Instalación del núcleo de ferrita

Se debe utilizar un cable de línea telefónica con núcleo de ferrita para suprimir las interferencias de radiofrecuencia.

Apartado 68 de la Reglamentación FCC acerca de la Unidad de fax

3

1. Este dispositivo cumple con el Apartado 68 de la Reglamentación FCC. En la tapa de este equipo se encuentra un adhesivo que contiene, entre otros, el número de registro FCC y número REN para este equipo. En caso de solicitarse, deberá proporcionar esta información a la compañía telefónica.
2. Este equipo utiliza un conector RJ11C USOC.
3. La clavija y enchufe utilizados para conectar este equipo al cableado y la red telefónica deben cumplir con las reglas aplicables del Apartado 68 de la FCC y los requisitos adoptados por la ACTA. Con este producto se suministra un cable telefónico y un conector modular en conformidad. Se ha diseñado para conectar un enchufe hembra modular compatible también en conformidad. Consulte las instrucciones de instalación para más detalles.
4. El REN se utiliza para determinar el número de dispositivos que pueden conectarse a la línea telefónica. Un número excesivo de REN en una línea telefónica puede provocar que los dispositivos no suenen ante una llamada entrante. En la mayoría de áreas, pero no en todas, la suma de REN no debería superar cinco (5,0). Para asegurarse del número de dispositivos que pueden conectarse a una línea, según lo determinado por los REN totales, contacte con la compañía de teléfonos local.
5. Si este equipo causara alguna anomalía en la línea de teléfono, la compañía telefónica le notificaría previamente de un posible corte temporal del servicio. Si el aviso previo no pudiera realizarse, la compañía telefónica avisará al cliente lo antes posible. Asimismo, se le informará de su derecho a presentar una reclamación a la FCC si así lo cree necesario.
6. La compañía telefónica puede realizar cambios en sus instalaciones, equipo, operaciones o procedimientos que podrían afectar al funcionamiento del equipo. Si esto ocurriera, la compañía telefónica le notificará de antemano para que pueda realizar las modificaciones necesarias sin interrumpir el servicio.
7. Si se experimenta algún problema con este equipo o para solicitar una reparación o información sobre la garantía, póngase en contacto con el departamento de atención al cliente de Ricoh USA, Inc. llamando al 1-888-456-6457. Si este dispositivo causa problemas a su red telefónica, es posible que la compañía telefónica le pida que desconecte el equipo hasta que se resuelva el problema.

8. En el caso de problemas de funcionamiento (atasco de documentos, atasco de copias, indicadores de error de comunicación), consulte el manual proporcionado con la máquina para ver instrucciones sobre cómo resolver el problema.
9. La conexión con el servicio de línea telefónica compartida está sujeto a tarifas estatales. Contacte con la comisión pública estatal, la comisión de servicio público o la comisión corporativa para más información.
10. Si tiene un equipo de alarma cableado conectado a la línea telefónica en casa, asegúrese de que la instalación de este equipo no desactiva su equipo de alarma. Si tiene alguna pregunta acerca de qué podría desactivar su equipo de alarma, consulte a la compañía telefónica o a un técnico de instalación cualificado.

AL PROGRAMAR NÚMEROS DE EMERGENCIA Y/O REALIZAR LLAMADAS DE PRUEBA A NÚMEROS DE EMERGENCIA:

1. Permanezca en la línea y explique brevemente al receptor el motivo de su llamada antes de colgar.
2. Realice este tipo de actividades en horas no punta, como a primera hora de la mañana o al final de la tarde.

El acta de protección al consumidor (Telephone Consumer Protection Act) de 1991 declara ilegal el uso por parte de cualquier persona de un ordenador o cualquier otro dispositivo electrónico, incluidas máquinas de fax, para enviar cualquier mensaje, a menos que dicho mensaje contenga claramente en el margen superior o inferior de cada página transmitida o en la primera página de transmisión, la fecha y hora en la que se envió y una identificación de la empresa u otra entidad, u otro individuo que enviara el mensaje y el número de teléfono de la máquina emisora o la empresa, otra entidad o individuo. (El número de teléfono proporcionado no puede ser un 900 ni ningún otro número para el que los cargos superen las cuotas de transmisión local o de larga distancia).

Para programar esta información en su máquina de FAX, debería completar los pasos siguientes: Siga el procedimiento de programación de encabezado de fax en el capítulo de programación de las instrucciones de uso para introducir el identificador de empresa y número telefónico del terminal o empresa. Esta información se transmitirá con su documento mediante la función de encabezado de fax. Además de dicha información, asegúrese de programar la fecha y hora de la máquina.

Instrucciones de seguridad importantes para la Unidad de fax

Al utilizar su dispositivo telefónico, debe seguir siempre una serie de precauciones de seguridad básicas para reducir el riesgo de incendio, descarga eléctrica y lesiones, entre las que se incluyen las siguientes:

- No utilice el producto cerca del agua, como por ejemplo, cerca de una bañera, lavamanos, fregadero o lavadero, ni en un sótano húmedo o cerca de una piscina.
- Evite el uso del teléfono durante tormentas eléctricas. Corre riesgo de descarga eléctrica causada por un rayo.

- No utilice el teléfono cerca de un escape de gas para informar del mismo.

Guarde estas instrucciones.

IMPORTANTES MESURES DE SÉCURITÉ de l'unité Fax

Certaines mesures de sécurité doivent être prises pendant l'utilisation de matériel téléphonique afin de réduire les risques d'incendie, de choc électrique et de blessures. En voici quelques-unes:

- Ne pas utiliser l'appareil près de l'eau, p.ex., près d'une baignoire, d'un lavabo, d'un évier de cuisine, d'un bac à laver, dans un sous-sol humide ou près d'une piscine.
- Éviter d'utiliser le téléphone (sauf s'il s'agit d'un appareil sans fil) pendant un orage électrique. Ceci peut présenter un risque de choc électrique causé par la foudre.
- Ne pas utiliser l'appareil téléphonique pour signaler une fuite de gaz s'il est situé près de la fuite.

Conserver ces instructions.

Notas para los usuarios de dispositivos inalámbricos en Canadá

Este dispositivo cumple los estándares RSS exentos de licencia de la Industry Canada.

El buen funcionamiento del dispositivo está sujeto a las siguientes condiciones:

(1) Este dispositivo no causa interferencias y

(2) este dispositivo debe aceptar cualquier interferencia, incluidas aquellas que afecten al funcionamiento del dispositivo.

Para usuarios de una tarjeta LAN inalámbrica:

La banda 5150-5250 MHz está restringida a utilizarse únicamente en interiores.

La ganancia de antena máxima permitida para dispositivos en las bandas 5250-5350 MHz y 5470-5725 MHz debe cumplir con los límites de EIRP (PIRE, potencia isotrópica radiada equivalente).

La ganancia de antena máxima permitida para dispositivos en la banda 5725-5825 MHz debe cumplir con los límites de EIRP (PIRE, potencia isotrópica radiada equivalente) especificados para operaciones punto a punto o no punto a punto según sea pertinente.

Los radares de alta potencia están asignados como usuarios principales (es decir, usuarios prioritarios) de las bandas 5250-5350 MHz y 5650-5850 MHz; estos radares pueden provocar interferencias y/o daños a dispositivos LE-LAN.

Remarques à l'attention des utilisateurs canadiens d'appareils sans fil

Le présent appareil est conforme aux CNR d'Industrie Canada applicables aux appareils radio exempts de licence.

L'exploitation est autorisée aux deux conditions suivantes :

- (1) l'appareil ne doit pas produire de brouillage, et
- (2) l'appareil doit accepter tout brouillage radioélectrique subi, même si le brouillage est susceptible d'en compromettre le fonctionnement.

À l'attention des utilisateurs de la carte LAN sans fil:

La bande 5150-5250 MHz est restreinte à une utilisation à l'intérieur seulement.

Le gain maximal d'antenne permis pour les périphériques utilisant les bandes 5 250 - 5 350 MHz et 5 470 - 5 725 MHz doit se conformer à la limite de p.i.r.e.

Le gain maximal d'antenne permis pour les périphériques utilisant la bande 5 725 - 5 825 MHz doit se conformer à la limite de p.i.r.e. spécifiée pour l'exploitation point à point et non point à point, selon le cas.

Les utilisateurs de radars de haute puissance sont désignés utilisateurs principaux (c.-à-d., qu'ils ont la priorité) pour les bandes 5 250 - 5 350 MHz et 5 650 - 5 850 MHz et ces radars pourraient causer du brouillage et/ou des dommages aux périphériques LE-LAN.

3

Notas para usuarios de la Unidad de fax en Canadá

Este producto cumple las especificaciones técnicas aplicables del ministerio de innovación, ciencia y desarrollo económico (Innovation, Science and Economic Development) de Canadá.

El Ringer Equivalence Number (REN) indica el número máximo de dispositivos que pueden conectarse a una interfaz telefónica. La terminación de una interfaz puede contar de una combinación de dispositivos sujetos únicamente al requisito de que la suma de los REN de todos los dispositivos no supere cinco.

Remarques à l'attention des utilisateurs canadiens de l'unité Fax

Le présent produit est conforme aux spécifications techniques applicables d'Innovation, Sciences et Développement économique Canada.

L'indice d'équivalence de la sonnerie (IES) sert à indiquer le nombre maximal de dispositifs qui peuvent être raccordés à une interface téléphonique. La terminaison d'une interface peut consister en une combinaison quelconque de dispositifs, à la seule condition que la somme des IES de tous les dispositifs n'excède pas cinq.

4. Apéndice

Este apéndice incluye las marcas registradas de la máquina.

Marcas comerciales

Adobe es una marca comercial de Adobe Systems Incorporated en los Estados Unidos de América y/o en otros países.

Firefox es una marca comercial registrada de Mozilla Foundation.

Google y Chrome son marcas comerciales de Google Inc.

Microsoft, Windows e Internet Explorer son marcas comerciales o marcas registradas de Microsoft Corporation en los Estados Unidos u otros países.

Safari es una marca comercial de Apple Inc., registrada en los Estados Unidos y en otros países.

SD es una marca comercial de SD-3C, LLC.

Los nombres completos de Internet Explorer 8, 9, 10 y 11 son los siguientes:

- Windows® Internet Explorer® 8
- Windows® Internet Explorer® 9
- Internet Explorer® 10
- Internet Explorer® 11

El resto de nombres de producto que se utilizan en este manual aparecen sólo a efectos de identificación y pueden ser marcas comerciales de sus respectivas empresas. Renunciamos a cualquier derecho sobre estas marcas.

MEMO

MEMO

MEMO

Leia isto primeiro

Manuais fornecidos com este equipamento

1

Informações de segurança
relativas a este equipamento

2

Outras informações relativas
a este equipamento

3

Appendix

4

Para informações não encontradas nos manuais em papel, consulte os manuais on-line disponíveis em nosso site (<http://www.rioh.com/>) ou via painel de controle.



Antes de usar o equipamento, leia atentamente este manual e mantenha-o ao alcance para consultas futuras. Para um uso seguro e correto, certifique-se de ler as Informações de segurança neste manual antes de usar o equipamento.

Português



CONTEÚDO

Como ler os manuais.....	2
Símbolos usados nos manuais.....	2
Isenção de responsabilidade.....	2
Notas.....	3
Tipos de equipamento.....	3

1. Manuais fornecidos com este equipamento

Manuais deste equipamento.....	5
Como usar as instruções de operação.....	7
Ler os manuais em HTML.....	7
Leia os manuais em HTML no painel de controle.....	8

2. Informações de segurança relativas a este equipamento

Símbolos de segurança para este equipamento.....	9
Informações de segurança.....	10
Segurança durante a operação.....	10
Precauções de segurança a serem seguidas.....	10
Etiquetas de segurança neste equipamento.....	18
Posições das etiquetas de AVISO e CUIDADO.....	18
Símbolos do botão liga/desliga.....	22

3. Outras informações relativas a este equipamento

Leis e regulamentos.....	23
Cópia e impressão proibidas.....	23
Segurança relacionada a laser.....	23
Notas aos usuários nos EUA sobre os requisitos da FCC.....	24
Informações de segurança importantes relativas à unidade de fax.....	26
Observações para usuários canadenses de dispositivos sem fio.....	27
Notas para usuários canadenses da unidade de fax.....	28

4. Appendix

Marcas comerciais.....	29
------------------------	----

Como ler os manuais

Símbolos usados nos manuais

Este manual usa os seguintes símbolos:

Importante

Indica pontos para os quais você deve prestar atenção ao usar o equipamento e explicações de causas prováveis de atolamentos de papel, danos em originais ou perda de dados. Certifique-se de ler essas explicações.

Nota

Indica explicações complementares sobre as funções do equipamento e instruções sobre como solucionar erros de usuários.

Referência

Este símbolo está localizado no final das seções. Indica onde você pode obter mais informações relevantes.

[]

Indica os nomes das teclas no visor ou nos painéis de controle do equipamento.




Indica instruções exibidas no painel de controle.



Formato de folha indicando instruções.

 **Region A** (essencialmente Europa e Ásia), (essencialmente Europa) ou (essencialmente Ásia)

 **Region B** (essencialmente América do Norte)

As diferenças nas funções dos modelos da região A e região B são indicadas por dois símbolos. Leia as informações indicadas pelo símbolo que corresponde à região do modelo que você está usando. Para obter mais informações sobre que símbolo corresponde ao modelo que você está usando, consulte Getting Started .

Isenção de responsabilidade

Até a extensão máxima permitida pelas leis aplicáveis, o fabricante, sob nenhuma circunstância, será responsável por danos de qualquer natureza decorrentes de falhas neste equipamento, perdas de dados registrados ou do uso ou não uso deste produto e dos manuais de operação fornecidos com ele.

Certifique-se de sempre copiar ou fazer backups dos dados registrados neste equipamento. Documentos ou dados podem ser apagados devido a erros operacionais ou falhas de funcionamento do equipamento.

Sob nenhuma circunstância, o fabricante será responsável por documentos criados por você por meio deste equipamento ou por quaisquer resultados decorrentes dos dados executados por você.

Notas

O conteúdo deste manual está sujeito a alterações sem notificação prévia.

O fabricante não será responsável por nenhum dano ou despesa resultante do uso de peças não genuínas em seus produtos de escritório.

Para uma boa qualidade dos documentos, o fabricante recomenda a utilização de toner genuíno do fabricante.

Algumas ilustrações neste manual podem ser um pouco diferentes do equipamento.

Tipos de equipamento

Verifique qual é o tipo do seu equipamento antes de ler os manuais.

- Tipo 1: MP 501SPF
- Tipo 2: MP 601SPF

Alguns tipos podem não estar disponíveis em alguns países. Para obter mais informações, entre em contato com o seu revendedor.

Certas opções podem não estar disponíveis em alguns países. Para obter mais informações, entre em contato com o seu revendedor.

Dependendo do país em que você estiver, algumas unidades podem ser opcionais. Para obter mais informações, entre em contato com o seu revendedor.



1. Manuais fornecidos com este equipamento

Este capítulo explica os manuais deste equipamento.

Manuais deste equipamento

As instruções de operação deste equipamento são fornecidas nos seguintes formatos:

Formato	Manuais
Manuais impressos	<ul style="list-style-type: none">• Leia isto primeiro• Start Guide• Quick Installation Guide
CD-ROM	<ul style="list-style-type: none">• Driver Installation Guide
Manuais exibidos no painel de controle	<ul style="list-style-type: none">• Operating Instructions (manuais em HTML)
Página da Web	<ul style="list-style-type: none">• Leia isto primeiro• User Guide• Start Guide• Operating Instructions (manuais em HTML)• Quick Reference Guide• Quick Installation Guide• Driver Installation Guide

Leia isto primeiro

Antes de usar este equipamento, certifique-se de ler a seção Informações de segurança neste manual. Ela também descreve cada regulamentação e conformidade ambiental.

Start Guide

Descreve como ler os manuais no painel de controle. Também descreve como fazer login no equipamento.

User Guide

Em relação à utilização básica deste equipamento, às funções usadas com frequência, à solução de problemas quando uma mensagem de erro é exibida, etc., são fornecidos resumos de cada manual do usuário.

Operating Instructions (manuais em HTML)

Descreve as configurações para utilização do equipamento, como usar as funções de cópia, fax, impressão e digitalização, além dos procedimentos de manutenção, especificações, soluções de problemas, definições do sistema e funções de segurança.

Os manuais estão disponíveis em inglês, alemão, francês, italiano, espanhol, holandês e russo.

O Guia do usuário e o Guia de segurança estão disponíveis nos sete idiomas acima e em outros idiomas.

Para obter mais informações sobre como usar os manuais em HTML, consulte Pág. 7 "Como usar as instruções de operação".

Quick Reference Guide

Descreve por página as funções básicas de cópia, fax e digitalização.

- Quick Reference Copy Guide
- Quick Reference Fax Guide
- Quick Reference Scanner Guide


Quick Installation Guide

Descreve os procedimentos para desembalar e instalar, incluindo colocação de papel, instalação de cartucho de tinta e frasco de toner usado, etc.

Driver Installation Guide

Descreve como instalar e configurar cada driver. Este manual está incluído no CD de drivers.

Nota

- Antes de configurar as definições de segurança estendida e autenticação, consulte o Guia de segurança .
- Você pode baixar informações sobre a certificação do equipamento, que se baseia em um sistema de certificação de segurança de TI (daqui por diante denominado Certificação CC), em https://support-download.com/services/device/ccmanual/mp_501_601/en/download_admin.html and https://support-download.com/services/device/ccmanual/mp_501_601/en/download_user.html. Essas informações se referem à configuração do equipamento. Se você adquiriu um equipamento com certificado CC, leia as informações do certificado antes de operar o equipamento para fazer as definições corretas.
- Você pode consultar os manuais a seguir na página da Web.
 - Apêndice
 - DHCP Option 204

Como usar as instruções de operação

Este capítulo descreve as instruções de operação deste equipamento.

1

Ler os manuais em HTML

Os navegadores a seguir são recomendados para a leitura de manuais em HTML.

- Internet Explorer 8/9/10/11
- Firefox 29
- Safari 5.1.7
- Chrome 35

Nota

- Se o JavaScript estiver desativado ou indisponível no seu navegador, você não conseguirá fazer pesquisas ou usar determinados botões na documentação em HTML.
- A resolução de vídeo necessária é de 1.024 × 768 pixels ou superior.
- Você pode verificar como usar os manuais em HTML na ajuda, localizada na parte superior direita da página superior. Os tópicos da ajuda explicam os ícones e os botões que são exibidos nos manuais em HTML.

Pesquisar o que você quer ou pode fazer

Você pode usar a função Pesquisa fácil para fazer uma pesquisa sobre o que você quer ou pode fazer neste equipamento.

1. Clique em Pesquisa fácil na parte superior direita da página superior.
2. Clique em um título para exibir o item que deseja ler.

Pesquisar inserindo uma palavra-chave

Você pode pesquisar nos manuais em HTML.

Esta seção explica como pesquisar por "duplex".

1. Insira "duplex" na caixa de pesquisa na parte superior esquerda da página superior.
2. Clique em .

Uma lista de títulos ou descrições que inclua "duplex" aparecerá.


O resultado da pesquisa aparece na janela de resultados da pesquisa. Você também pode usar o menu suspenso para selecionar um manual.

3. Clique em um título para exibir o item que deseja ler.

↓ Nota

- Use palavras-chave para pesquisar os itens a serem consultados. Dependendo da palavra-chave inserida, palavras-chave relacionadas também poderão ser exibidas.
- Os itens que incluírem a palavra-chave usada aparecem na janela de resultados da pesquisa.
- Se você colocar um espaço entre as palavras-chave, serão exibidas as páginas que contiverem as duas palavras. Por exemplo, se você inserir "duplex", um espaço e depois "copy", os itens que incluírem as duas palavras serão mostrados na janela de resultados da pesquisa.

Leia os manuais em HTML no painel de controle

Você também pode ler os manuais em HTML no painel de controle. Para obter mais informações sobre como ler os manuais em HTML no painel de controle, consulte Start Guide .







2. Informações de segurança relativas a este equipamento

Este capítulo descreve as precauções de segurança.

Símbolos de segurança para este equipamento

2

Os significados dos símbolos de segurança para este equipamento são os seguintes:

	Cuidado
	Atenção: Objeto afiado
	Não toque
	Não jogue no fogo
	Não use o limpador
	Mantenha longe do alcance de crianças
	Cuidado, superfície quente

Informações de segurança

Segurança durante a operação

2

Neste manual, são utilizados os seguintes símbolos importantes:

AVISO

Indica uma situação potencialmente perigosa que poderá resultar em morte ou danos físicos graves se as instruções não forem seguidas.

CUIDADO

Indica uma situação potencialmente perigosa que poderá resultar em danos físicos menores ou moderados ou danos materiais se as instruções não forem seguidas.

Precauções de segurança a serem seguidas

Esta seção explica as precauções de segurança que devem ser sempre seguidas durante o uso deste equipamento.

Ambientes onde o equipamento pode ser usado

Esta seção explica as precauções de segurança relativas aos ambientes onde o equipamento pode ser usado.

AVISO

- Não use sprays ou solventes inflamáveis próximo ao equipamento. Além disso, evite colocar esses itens próximo ao equipamento. Isso pode resultar em incêndio ou choque elétrico.

- Não coloque jarras, vasos, copos, cosméticos, medicamentos, objetos metálicos pequenos ou recipientes com água ou outros líquidos em cima ou perto do equipamento. O derramamento ou a queda desses objetos ou substâncias no interior do equipamento pode resultar em incêndio ou choque elétrico.

CUIDADO

- Mantenha o equipamento longe de umidade e pó. Caso contrário, poderá ocorrer incêndio ou choque elétrico.

- Não coloque o equipamento em uma superfície instável ou inclinada. Se o equipamento cair, poderão ocorrer ferimentos.

CUIDADO

- Não coloque objetos pesados em cima do equipamento. Caso contrário, o equipamento pode virar, provocando lesões.
- Certifique-se de que o ambiente onde o equipamento está sendo usado seja bem ventilado e espaçoso. Uma boa ventilação é importante sobretudo quando o equipamento é usado com muita frequência.
- Não obstrua as ventilações do equipamento. Caso contrário, haverá risco de incêndio decorrente do superaquecimento dos componentes internos.

2

Manusear cabos de alimentação e tomadas

Esta seção explica as precauções de segurança relativas ao manuseio dos cabos e tomadas de alimentação.

AVISO

- Não use fontes de energia que não atendam às especificações indicadas. Isso pode resultar em incêndio ou choque elétrico.
- Não use frequências que não correspondam às especificações indicadas. Isso pode resultar em incêndio ou choque elétrico.
- Não use adaptadores com várias tomadas. Isso pode resultar em incêndio ou choque elétrico.
- Não use extensões elétricas. Isso pode resultar em incêndio ou choque elétrico.
- Não use cabos de alimentação danificados, quebrados ou modificados. Não use cabos de alimentação que tenham ficado presos sob objetos pesados, puxados com força ou excessivamente dobrados. Isso pode resultar em incêndio ou choque elétrico.
- Tocar nos pinos da tomada do cabo de alimentação com um objeto metálico constitui risco de incêndio e choque elétrico.
- O cabo de alimentação fornecido destina-se exclusivamente ao uso neste equipamento. Não use-o em outros aparelhos. Isso pode resultar em incêndio ou choque elétrico.
- É perigoso manusear o plugue do cabo de alimentação com as mãos molhadas. Isso pode causar choque elétrico.

AVISO

- Se o cabo de alimentação estiver danificado e seus fios internos estiverem expostos ou partidos, entre em contato com seu representante técnico para substituição. O uso de cabos de alimentação danificados pode resultar em incêndio ou choque elétrico.

- Certifique-se de desconectar a tomada da parede pelo menos uma vez por ano e verificar se:
 - Há sinais de que a tomada está queimada.
 - Os pinos da tomada estão deformados.
- Se alguma das situações acima estiver ocorrendo, não use a tomada e consulte seu revendedor ou representante técnico. O uso da tomada pode resultar em fogo ou choque elétrico.

- Certifique-se de desconectar o cabo de alimentação da tomada na parede pelo menos uma vez por ano e verificar se:
 - Os fios internos do cabo de alimentação estão expostos, partidos, etc.
 - O revestimento do cabo de alimentação apresenta rachaduras ou partes amassadas.
 - Ao dobrar o cabo de alimentação, o equipamento desliga e liga.
 - Parte do cabo de alimentação esquenta.
 - O cabo de alimentação está danificado.
- Se alguma das situações acima estiver ocorrendo, não use o cabo de alimentação e consulte seu revendedor ou representante técnico. O uso do cabo de alimentação pode resultar em fogo ou choque elétrico.

CUIDADO

- Certifique-se de inserir totalmente a tomada do cabo de alimentação na tomada da parede. Pinos parcialmente inseridos criam uma conexão instável, o que pode resultar em acúmulo perigoso de calor.

- Se o equipamento não for usado por vários dias ou por um longo período, desconte o cabo de alimentação da tomada na parede.

- Ao desconectar o cabo de alimentação da tomada na parede, puxe sempre pelo plugue, e não pelo cabo. O cabo de alimentação pode ser danificado se você puxá-lo. O uso de cabos de alimentação danificados pode resultar em incêndio ou choque elétrico.

- Certifique-se de desconectar o plugue da tomada na parede e limpar os pinos e a área ao redor dos pinos pelo menos uma vez por ano. O acúmulo de sujeira no plugue constitui risco de incêndio.

CUIDADO

- Ao fazer a manutenção do equipamento, desconecte o cabo de alimentação da tomada na parede.

- Fonte de alimentação
120-127 V, 11 A, 60 Hz

Certifique-se de conectar o cabo de alimentação a uma fonte de alimentação, conforme especificado acima.

2

Manusear o equipamento principal

Este capítulo explica as precauções de segurança relativas ao manuseio do equipamento principal.

AVISO

- Coloque o equipamento o mais perto possível da tomada na parede. Isso facilita a desconexão do cabo de alimentação em caso de emergência.
- Se o equipamento emitir fumaça ou odores ou apresentar comportamento anormal, desligue-o imediatamente. Depois de desligá-lo, certifique-se de desconectar o plugue do cabo de alimentação da tomada na parede. Em seguida, entre em contato com seu representante técnico e relate o problema. Não use o equipamento. Isso pode resultar em incêndio ou choque elétrico.
- Se objetos metálicos, água ou outros líquidos entrarem no equipamento, desligue-o imediatamente. Depois de desligá-lo, certifique-se de desconectar o plugue do cabo de alimentação da tomada na parede. Em seguida, entre em contato com seu representante técnico e relate o problema. Não use o equipamento. Isso pode resultar em incêndio ou choque elétrico.
- Não toque neste equipamento se estiverem ocorrendo relâmpagos nas proximidades. Isso pode causar choque elétrico.
- As explicações a seguir se referem às mensagens de aviso na embalagem plástica deste produto.
 - Mantenha sempre os materiais de polietileno (por exemplo, sacolas) fornecidos com este equipamento longe do alcance de bebês e crianças pequenas. Os materiais de polietileno podem causar sufocamento se forem colocados na boca ou no nariz.

CUIDADO

- Desconecte o cabo de alimentação da tomada na parede antes de deslocar o equipamento. Ao deslocar o equipamento, tenha cuidado para que o cabo de alimentação não fique sob o equipamento e seja danificado. Se você não seguir essas precauções, poderá ocorrer incêndio ou choque elétrico.
- Se você precisar deslocar o equipamento com a unidade de bandeja de papel opcional instalada, não empurre-o pela parte superior da unidade principal. Caso contrário, a unidade de bandeja de papel opcional pode desencaixar e provocar ferimentos.
- O equipamento pesa aproximadamente 28 kg.
- Ao deslocar o equipamento, utilize as alças laterais e levante-o devagar com a ajuda de outra pessoa. Se tombar, o equipamento pode ficar danificado ou provocar ferimentos.
- Levantar a unidade de alimentação do papel de forma descuidada ou deixá-la cair pode provocar ferimentos.
- Depois de deslocar o equipamento, use a trava dos rodízios para fixá-lo. Caso contrário, o equipamento pode se mover ou cair, causando ferimentos.
- Entre em contato com seu representante técnico se precisar levantar o equipamento (por exemplo, para transportá-lo para outro andar). Não tente levantar o equipamento sem a ajuda do seu representante técnico. O equipamento ficará danificado se tombar ou cair, resultando em mau funcionamento e risco de ferimento para os usuários.
- Antes de instalar ou remover opcionais, sempre desconecte o cabo de alimentação da tomada na parede e aguarde a unidade principal esfriar. O incumprimento destas precauções pode resultar em queimaduras.
- Não olhe para a lâmpada. Isso pode provocar ferimentos nos olhos.
- Não segure o painel de controle ao mover o equipamento. Isso pode danificar o painel de controle, causar defeito ou ferimento.
- Mantenha as mãos distantes das dobradiças e do vidro de exposição ao abaixar o ADF. Caso contrário, suas mãos ou seus dedos poderão sofrer ferimentos caso sejam comprimidos.

Manusear o interior do equipamento

Este capítulo explica as precauções de segurança relativas ao manuseio do interior do equipamento.

⚠ AVISO

- Não retire tampas ou parafusos diferentes daqueles explicitamente especificados neste manual. No interior deste equipamento, existem componentes de alta tensão que representam perigo de choque elétrico e componentes do laser que podem provocar cegueira. Entre em contato com seu representante comercial ou técnico se algum dos componentes internos do equipamento precisar de manutenção, ajuste ou reparo.
- Não tente desmontar ou modificar este equipamento. Caso contrário, você corre o risco de sofrer queimaduras e choque elétrico. Mais uma vez, observe que a exposição aos componentes do laser no interior deste equipamento pode provocar cegueira.

⚠ CUIDADO

- Alguns componentes internos do equipamento ficam muito quentes. Por isso, tenha cuidado ao remover papel alimentado incorretamente. Caso contrário, você pode se queimar.
- Ao remover papel atolado, cuidado para não prender os dedos nem feri-los.
- Ao colocar papel, tenha cuidado para não prender ou machucar os dedos.
- Apesar dos mecanismos de segurança instalados, você não deve tocar nos rolos de segurança do equipamento durante o funcionamento. Caso contrário, poderão ocorrer ferimentos.
- Se o interior do equipamento não for limpo regularmente, haverá acúmulo de pó. Quando há muito acúmulo de pó no interior do equipamento, pode ocorrer incêndio ou avaria. Entre em contato com seu representante comercial ou técnico para obter informações sobre a limpeza do interior do equipamento e o valor cobrado por esse serviço.

Manusear os consumíveis do equipamento

Este capítulo explica as precauções de segurança relativas ao manuseio dos consumíveis do equipamento.

⚠ AVISO

- Não incinere toner (novo ou usado) nem embalagens de toner. Caso contrário, você corre o risco de sofrer queimaduras. O toner pega fogo ao entrar em contato com chama.
- Não armazene toner (novo ou usado) nem embalagens de toner perto de chamas. Caso contrário, pode ocorrer incêndio e queimaduras. O toner pega fogo ao entrar em contato com chama.

AVISO

- Não utilize um aspirador de pó para remover o toner derramado (incluindo toner usado). O toner absorvido pode provocar incêndio ou explosão devido às faíscas que podem ocorrer dentro do aspirador. Entretanto, é possível usar um aspirador de pó à prova de explosão e poeira explosiva. Se o toner for derramado no chão, remova-o lentamente usando um pano molhado para não espalhá-lo.

- As explicações a seguir se referem às mensagens de aviso na embalagem plástica deste produto.
 - Mantenha sempre os materiais de polietileno (por exemplo, sacolas) fornecidos com este equipamento longe do alcance de bebês e crianças pequenas. Os materiais de polietileno podem causar sufocamento se forem colocados na boca ou no nariz.

CUIDADO

- Não esmague ou aperte as embalagens de toner. Isso pode originar vazamento de toner e resultar em ingestão acidental ou sujar a pele, roupas e o chão.

- Armazene toner (novo ou usado), embalagens de toner e outros componentes que ficam em contato com toner fora do alcance de crianças.

- Se você inalar toner novo ou usado, faça gargarejo com muita água e vá para um local com ar fresco. Se necessário, consulte um médico.

- Se o toner novo ou toner usado entrar em contato com os olhos, lave-os imediatamente com muita água. Se necessário, consulte um médico.

- Se você engolir toner novo ou usado, beba muita água para diluí-lo. Se necessário, consulte um médico.

- Ao remover papel atolado ou substituir o toner, tenha cuidado para não sujar suas roupas com toner (novo ou usado). Se o toner entrar em contato com suas roupas, lave a área manchada com água fria. A água quente faz com que o toner penetre no tecido e impossibilite a remoção da mancha.

- Ao remover papel atolado ou substituir o toner, tenha cuidado para que o toner (novo ou usado) não entre em contato com sua pele. Se o toner entrar em contato com sua pele, lave a área afetada com muita água e sabão.

- Ao substituir um recipiente de toner ou recipiente de toner usado ou consumíveis com toner, certifique-se de que o toner não respingue. Coloque os consumíveis usados em um saco após removê-los. Para consumíveis com tampa, certifique-se de que a tampa esteja fechada.

 **CUIDADO**

- Não tente imprimir em folhas grampeadas, papel alumínio, papel carbono ou qualquer tipo de papel condutor. Caso contrário, pode ocorrer incêndio.
- Mantenha cartões SD ou dispositivos USB de memória flash fora do alcance de crianças. Se uma criança engolir acidentalmente um cartão SD ou um dispositivo USB de memória flash, procure um médico imediatamente.

Etiquetas de segurança neste equipamento

Esta seção explica as etiquetas com informações de segurança do equipamento.

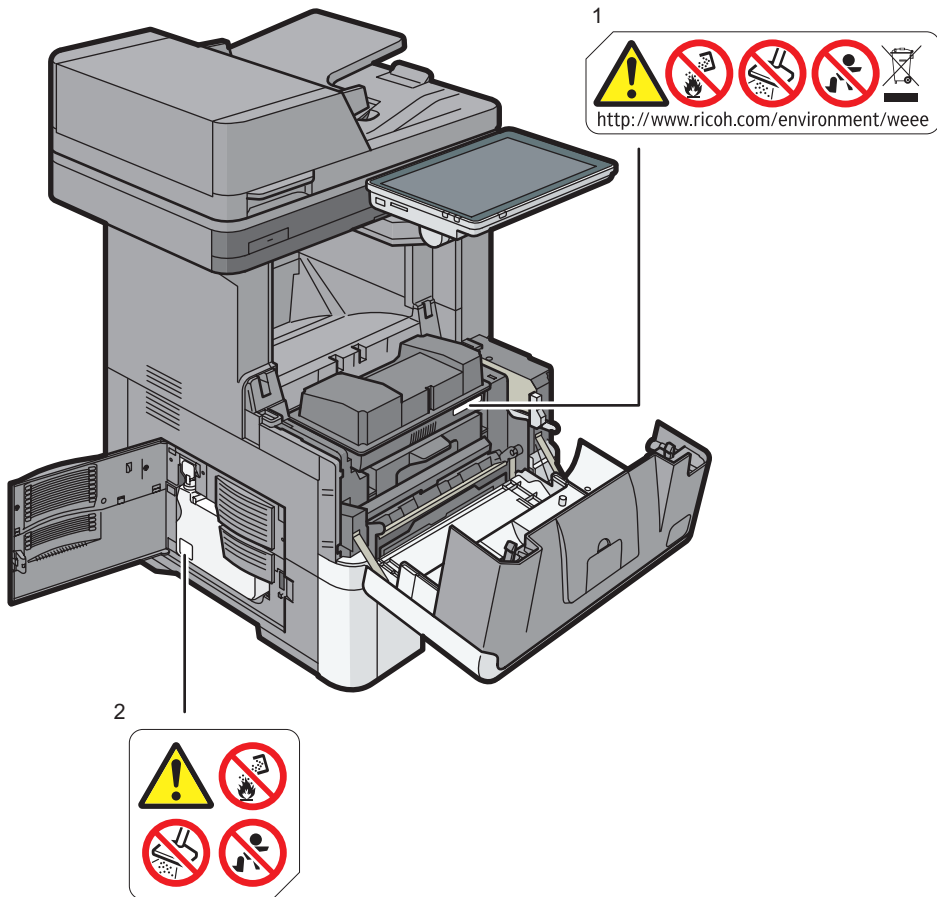
2

Posições das etiquetas de AVISO e CUIDADO

Este equipamento tem etiquetas de **AVISO** e **CUIDADO** nas posições indicadas abaixo. Para sua segurança, siga as instruções e manuseie o equipamento conforme indicado.

Unidade principal

Frente e lado esquerdo



1.

DPK001

Não incinere frascos de toner. Caso contrário, ocorrerão riscos de queimaduras, pois o toner pegará fogo ao entrar em contato com chama aberta.

Não use um aspirador de pó para remover o toner derramado. O toner absorvido pode provocar incêndio ou explosão devido às faíscas que podem ocorrer dentro do aspirador de pó.

Armazene frascos de toner fora do alcance de crianças. Se uma criança engolir toner acidentalmente, procure um médico imediatamente.

Não segure o frasco de toner com apenas uma das mãos. Use as duas mãos e segure-o firmemente, sem sacudi-lo.

Caso o frasco de toner usado caia acidentalmente, ele poderá sofrer danos. Se o toner for derramado, você correrá o risco de inalá-lo. Além disso, suas roupas, mãos ou o piso poderão ficar sujos.

2.

Não incinere frascos de toner usados. Caso contrário, ocorrerão riscos de queimaduras, pois o toner pegará fogo ao entrar em contato com chama aberta.

Não use um aspirador de pó para remover o toner usado derramado. O toner absorvido pode provocar incêndio ou explosão devido às faíscas que podem ocorrer dentro do aspirador de pó.

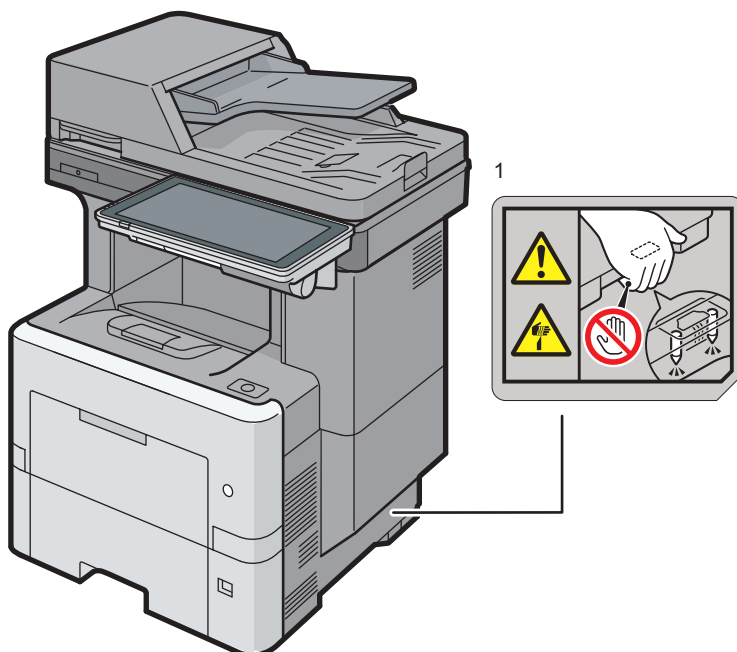
Armazene frascos de toner usados fora do alcance de crianças. Se uma criança engolir toner acidentalmente, procure um médico imediatamente.

Não segure o frasco de toner usado com apenas uma das mãos. Use as duas mãos e segure-o firmemente, sem sacudi-lo.

Caso o frasco de toner usado caia acidentalmente, ele poderá sofrer danos. Se o toner for derramado, você correrá o risco de inalá-lo. Além disso, suas roupas, mãos ou o piso poderão ficar sujos.

Frente e lado direito

2

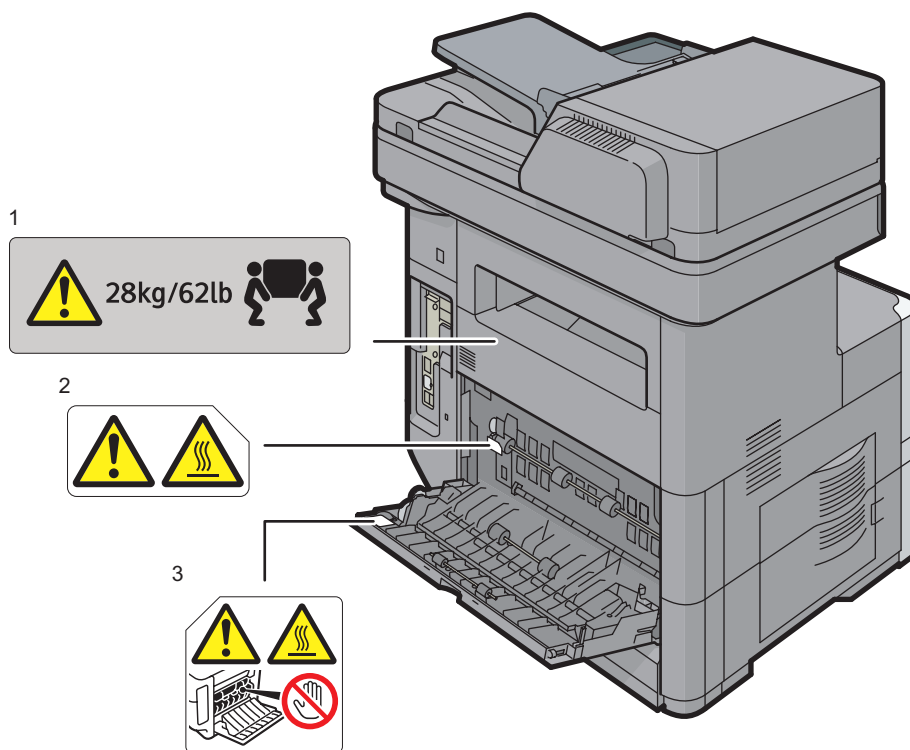


DPK003

1

Existem partes salientes na parte inferior do equipamento, perto desta etiqueta. Não toque na parte inferior desse equipamento ou em áreas próximas a esta etiqueta.

Parte de trás



DPK002

1.

O equipamento pesa aproximadamente 28 kg.

Quando deslocar o equipamento, utilize as pegas embutidas em ambos os lados.

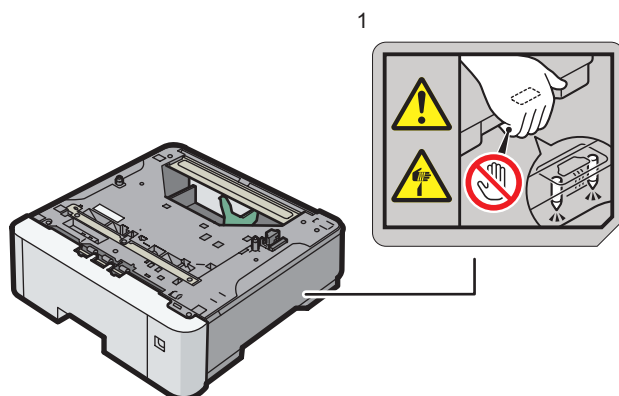
2, 3

Não toque nas peças indicadas com uma etiqueta. O interior e a superfície da unidade de fusão podem estar muito quentes.

Tenha cuidado ao remover papel atolado.

Unidade de alimentação de papel de 500 folhas

2



1

Existem partes salientes na parte inferior do equipamento, perto desta etiqueta. Não toque na parte inferior desse equipamento ou em áreas próximas a esta etiqueta.

Símbolos do botão liga/desliga

Os símbolos do botão liga/desliga usados neste equipamento são os seguintes:

-  : EM ESPERA

3. Outras informações relativas a este equipamento

Este capítulo descreve as leis e regulamentações relacionadas a este equipamento.

Leis e regulamentos

Cópia e impressão proibidas

Não copie nem imprima nenhum item para o qual a reprodução seja proibida por lei.

A cópia ou impressão dos seguintes itens é geralmente proibida pelas leis locais:

cédulas bancárias, selos fiscais, títulos, ações, cheques bancários, passaportes e carteiras de motorista.

Essa lista serve apenas como referência e não é completa. Não assumimos responsabilidade por sua totalidade e precisão de informações. Se você tiver dúvidas sobre a legalidade de cópias ou impressões de determinados itens, consulte seu advogado.

Segurança relacionada a laser

Segurança relacionada a laser

Este equipamento está em conformidade com os requisitos do 21 CFR, Subcapítulo J, para produtos a laser da classe I. Este equipamento contém dois diodos laser de matriz monolítica e comprimento de onda de 660-680 nanômetros para cada emissor. O ângulo de divergência do feixe é de 16 graus (no mínimo) e 24 graus (no máximo) no sentido vertical e 7 graus (no mínimo) e 13 graus (no máximo) no sentido horizontal, e os feixes de laser são gerados em onda contínua (Continuous Wave ou CW). A potência máxima de saída da fonte de luz é de 25 miliwatts.

Cuidado

O uso de controles, ajustes ou procedimentos diferentes daqueles especificados neste manual pode resultar em exposição perigosa à radiação.

Notas aos usuários nos EUA sobre os requisitos da FCC

Parte 15 das Regras da FCC

Nota:

Este equipamento foi testado e considerado em conformidade com os limites estabelecidos para um equipamento digital da Classe B, conforme a Parte 15 das Regras da FCC. Esses limites foram estabelecidos para proporcionar uma proteção razoável contra interferência prejudicial em uma instalação doméstica. Este equipamento gera, utiliza e pode irradiar energia de radiofrequência e, se não for instalado e usado de acordo com as instruções, poderá provocar interferência prejudicial em comunicações de rádio. No entanto, não há garantia de que não ocorrerá interferência em uma instalação em particular. Se este equipamento provocar interferência prejudicial à recepção de rádio ou televisão, o que pode ser determinado desligando o equipamento e religando-o, recomendamos que o usuário tente corrigir a interferência através de uma ou mais das seguintes medidas:

- Reoriente ou altere a localização da antena receptora.
- Aumente a distância entre o equipamento e o receptor.
- Conecte o equipamento a uma tomada em um circuito diferente daquele ao qual o receptor está conectado.
- Consulte seu revendedor ou um técnico de rádio/TV qualificado para obter ajuda.

Cuidado:

Alterações ou modificações não aprovadas expressamente pela parte responsável por conformidade poderão anular a autoridade do usuário de operar o equipamento.

Esse transmissor não deve ser colocado nem operado junto de outra antena ou transmissor.

Este equipamento está em conformidade com os limites de exposição à radiação da FCC, estabelecidos para um ambiente não controlado, e atende às diretrizes de exposição à radiofrequência da FCC. Este equipamento deve ser instalado e operado mantendo o irradiador a pelo menos 20 cm ou mais do corpo da pessoa (exceto, extremidades: mãos, punhos, pés e tornozelos).

Declaração de conformidade

Este equipamento atende à Parte 15 das Regras da FCC.

A operação está sujeita às duas condições a seguir:

- (1) Este equipamento não pode provocar interferência prejudicial e
- (2) este equipamento deve aceitar qualquer interferência recebida, incluindo interferência que possa provocar funcionamento não desejado.

Parte responsável: Ricoh USA, Inc.

Endereço: 70 Valley Stream Parkway Malvern, Pennsylvania 19355

Telefone: 610-296-8000

Nome do produto: Periférico multifuncional

Número do modelo:

- MP 501SPF
- MP 601SPF

Instalar o núcleo de ferrite

Um cabo de linha telefônica com núcleo de ferrite deve ser utilizado para eliminar a interferência de radiofrequência.

3

Parte 68 das Regras da FCC para unidade de fax

1. Este equipamento está em conformidade com a Parte 68 das Regras da FCC. Na tampa deste equipamento, há uma etiqueta contendo, entre outras informações, o REN (ringer equivalence number, número de equivalência de toque) deste equipamento. Se solicitada, essa informação deve ser fornecida à empresa telefônica.
2. Este equipamento usa um conector RJ11 1C USOC.
3. A tomada e o conector usados para conectar este equipamento aos cabos e à rede telefônica das instalações devem estar em conformidade com as regras aplicáveis da Parte 68 da FCC e com os requisitos adotados pelo ACTA. Um cabo telefônico e uma tomada modular compatíveis são fornecidos com este produto. Ambos foram projetados para serem conectados a um conector modular também compatível. Consulte as instruções de instalação para obter informações.
4. O REN é utilizado para determinar o número de equipamentos que podem ser conectados a uma linha telefônica. RENs excessivos em uma linha telefônica podem fazer com que os equipamentos não toquem ao receberem uma chamada. Na maior parte das áreas, a soma dos RENs não deve exceder cinco (5,0). Para ter a certeza do número de equipamentos que podem ser conectados a uma linha, conforme determinado pelo total de RENs, entre em contato com a empresa telefônica local.
5. Se este equipamento provocar danos à rede telefônica, a empresa telefônica irá notificá-lo previamente de que talvez seja necessário interromper temporariamente o serviço. No entanto, se a notificação prévia não for viável, a empresa telefônica notificará o cliente assim que possível. Além disso, você será informado do seu direito de apresentar queixa à FCC caso considere necessário.
6. A empresa telefônica pode fazer alterações em suas instalações, equipamentos, operações ou procedimentos, que poderão afetar o funcionamento do equipamento. Se isso acontecer, a empresa telefônica fornecerá uma notificação prévia para que você faça as modificações necessárias e o serviço não seja interrompido.
7. Se ocorrerem problemas com este equipamento, para obter reparo ou informações sobre a garantia, entre em contato com o Departamento de Suporte ao Cliente da Ricoh USA, Inc em 1-888-456-6457. Se este dispositivo estiver causando problemas em sua rede telefônica, a

companhia telefônica poderá solicitar que você desconecte o equipamento até que o problema seja resolvido.

8. Na eventualidade de ocorrerem problemas operacionais (atolamento de documentos, atolamento de cópias, indicação de erro de comunicação), consulte o manual fornecido com este equipamento para obter instruções sobre como solucionar o problema.
9. A ligação para esse serviço está sujeita a tarifas. Para obter mais informações, entre em contato com as entidades competentes.
10. Se houver em sua casa dispositivos de alarme conectados à linha telefônica, certifique-se de que a instalação deste equipamento não desativa o dispositivo de alarme. Se você tiver dúvidas sobre o que pode desativar dispositivos de alarme, consulte a sua empresa telefônica ou um técnico qualificado.

3

AO PROGRAMAR NÚMEROS DE EMERGÊNCIA E/OU FAZER CHAMADAS DE TESTE PARA NÚMEROS DE EMERGÊNCIA:

1. Permaneça na linha e explique resumidamente ao operador o motivo da chamada antes de encerrá-la.
2. Siga esses procedimentos fora do horário de pico, como no início da manhã ou no fim da noite.

A Lei de proteção aos clientes de telefone de 1991, torna ilegal que qualquer pessoa utilize um computador ou outro equipamento eletrônico, incluindo equipamentos de fax, para enviar mensagens, a não ser que a mensagem contenha claramente em uma margem na parte superior ou inferior ou na primeira página da transmissão a data e a hora do envio, uma identificação da empresa, entidade ou indivíduo que fez o envio e o número de telefone do equipamento remetente ou da empresa, entidade ou indivíduo. (O número de telefone fornecido não pode ser um número 900 ou outro número para o qual o custo exceda as tarifas de transmissão local ou longa distância.)

Para programar essas informações no seu equipamento de fax, faça o seguinte: siga o procedimento de programação de cabeçalho de fax descrito no capítulo de programação das instruções operacionais para inserir a identificação da empresa e o número de telefone do terminal ou da empresa. Essas informações são transmitidas com seu documento pela função de cabeçalho do fax. Além dessas informações, certifique-se de programar a data e a hora no seu equipamento.

Informações de segurança importantes relativas à unidade de fax

Ao usar seu equipamento telefônico, precauções básicas de segurança devem ser sempre seguidas para reduzir o risco de incêndio, choque elétrico e ferimentos pessoais, incluindo:

- Não use este produto perto de água, por exemplo, banheira, pia, bancada de cozinha, tanque de roupa, porão úmido ou piscina.
- Evite usar o telefone durante chuvas com relâmpagos. Existe um risco remoto de ocorrer choque elétrico devido aos relâmpagos.

- Não utilize o telefone perto de um local onde haja vazamento de gás para relatar esse vazamento.

Guarde essas instruções.

IMPORTANTES MESURES DE SÉCURITÉ de l'unité Fax

Certaines mesures de sécurité doivent être prises pendant l'utilisation de matériel téléphonique afin de réduire les risques d'incendie, de choc électrique et de blessures. En voici quelques-unes:

- Ne pas utiliser l'appareil près de l'eau, p.ex., près d'une baignoire, d'un lavabo, d'un évier de cuisine, d'un bac à laver, dans un sous-sol humide ou près d'une piscine.
- Éviter d'utiliser le téléphone (sauf s'il s'agit d'un appareil sans fil) pendant un orage électrique. Ceci peut présenter un risque de choc électrique causé par la foudre.
- Ne pas utiliser l'appareil téléphonique pour signaler une fuite de gaz s'il est situé près de la fuite.

Conserver ces instructions.

Observações para usuários canadenses de dispositivos sem fio

Este equipamento está em conformidade com os padrões RSS isentos de licença da indústria do Canadá.

A operação está sujeita às duas condições a seguir:

- (1) Este equipamento não pode causar interferência e
- (2) Este equipamento deve aceitar qualquer interferência, incluindo interferência que possa provocar um funcionamento não desejado do equipamento.

Para usuários de placa LAN wireless:

A banda 5150-5250 MHz é restrita a operações internas.

O ganho de antena máximo permitido para dispositivos nas bandas 5250-5350 MHz e 5470-5725 MHz deve estar em conformidade com o limite e.i.r.p.

O ganho de antena máximo permitido para dispositivos na banda 5725-5825 MHz deve estar em conformidade com os limites e.i.r.p. especificados para operação ponto a ponto e não ponto a ponto, conforme apropriado.

Radares de alta potência são alocados como usuários primários (por exemplo, usuários prioritários) das bandas 5250-5350 MHz e 5650-5850 MHz, e esses radares podem causar interferência e/ou danos a dispositivos LE-LAN.

Remarques à l'attention des utilisateurs canadiens d'appareils sans fil

Le présent appareil est conforme aux CNR d'Industrie Canada applicables aux appareils radio exempts de licence.

L'exploitation est autorisée aux deux conditions suivantes :

- (1) l'appareil ne doit pas produire de brouillage, et
- (2) l'appareil doit accepter tout brouillage radioélectrique subi, même si le brouillage est susceptible d'en compromettre le fonctionnement.

À l'attention des utilisateurs de la carte LAN sans fil:

La bande 5150-5250 MHz est restreinte à une utilisation à l'intérieur seulement.

Le gain maximal d'antenne permis pour les périphériques utilisant les bandes 5 250 - 5 350 MHz et 5 470 - 5 725 MHz doit se conformer à la limite de p.i.r.e.

Le gain maximal d'antenne permis pour les périphériques utilisant la bande 5 725 - 5 825 MHz doit se conformer à la limite de p.i.r.e. spécifiée pour l'exploitation point à point et non point à point, selon le cas.

Les utilisateurs de radars de haute puissance sont désignés utilisateurs principaux (c.-à-d., qu'ils ont la priorité) pour les bandes 5 250 - 5 350 MHz et 5 650 - 5 850 MHz et ces radars pourraient causer du brouillage et/ou des dommages aux périphériques LE-LAN.

Notas para usuários canadenses da unidade de fax

Este produto está em conformidade com as especificações técnicas aplicáveis da Innovation, Science and Economic Development Canada.

O REN (Ringer Equivalence Number, Número de equivalência de toque) indica o número máximo de dispositivos que podem ser conectados a uma interface telefônica. A terminação de uma interface pode consistir em qualquer combinação de dispositivos, sob a única condição de que a soma dos RENs de todos os dispositivos não exceda cinco.

Remarques à l'attention des utilisateurs canadiens de l'unité Fax

Le présent produit est conforme aux spécifications techniques applicables d'Innovation, Sciences et Développement économique Canada.

L'indice d'équivalence de la sonnerie (IES) sert à indiquer le nombre maximal de dispositifs qui peuvent être raccordés à une interface téléphonique. La terminaison d'une interface peut consister en une combinaison quelconque de dispositifs, à la seule condition que la somme des IES de tous les dispositifs n'exède pas cinq.

4. Appendix

Este apêndice descreve as marcas comerciais do equipamento.

Marcas comerciais

Adobe é marca comercial da Adobe Systems Incorporated nos Estados Unidos e/ou em outros países.

Firefox é marca comercial registrada da Mozilla Foundation.

Google e Chrome são marcas comerciais da Google Inc.

Microsoft, Windows e Internet Explorer são marcas comerciais registradas ou marcas comerciais da Microsoft Corporation nos Estados Unidos e/ou em outros países.

Safari é marca comercial da Apple Inc., registrada nos Estados Unidos e em outros países.

SD é marca comercial da SD-3C, LLC.

As designações comerciais do Internet Explorer 8, 9, 10 e 11 são as seguintes:

- Windows® Internet Explorer® 8
- Windows® Internet Explorer® 9
- Internet Explorer® 10
- Internet Explorer® 11

Os outros nomes de produtos aqui mencionados têm fins exclusivos de identificação e podem ser marcas comerciais de suas respectivas empresas. Isentamo-nos de quaisquer direitos sobre essas marcas.

MEMO

MEMO

MEMO

À lire avant de commencer

Manuels fournis avec cet appareil	1
Consignes de sécurité pour cet appareil	2
Autres informations sur cet appareil	3
Annexe	4

Pour les informations qui ne figurent pas dans les manuels papier, veuillez consulter les manuels disponibles en ligne sur notre site Internet (<http://www.ricoh.com/>) ou sur le panneau de commande.



Veuillez lire attentivement ce manuel avant d'utiliser l'appareil et conservez-le à portée de main pour référence ultérieure. Pour une utilisation correcte et en toute sécurité, veuillez à bien lire les "Consignes de sécurité" avant d'utiliser l'appareil.



TABLE DES MATIÈRES

Comment lire les manuels.....	2
Symboles utilisés dans les manuels.....	2
Avis de non-responsabilité.....	2
Remarques.....	3
Types d'appareil.....	3

1. Manuels fournis avec cet appareil

Manuels pour cet appareil.....	5
Comment utiliser les Manuels utilisateur ?.....	7
Lire les manuels HTML.....	7
Lire les manuels HTML sur le panneau de commande.....	8

2. Consignes de sécurité pour cet appareil

Symboles de sécurité pour cet appareil.....	9
Consignes de sécurité.....	10
Sécurité pendant l'utilisation.....	10
Précautions de sécurité à suivre.....	10
Étiquettes de sécurité de cet appareil.....	18
Emplacements des étiquettes AVERTISSEMENT et ATTENTION.....	18
Symboles de l'interrupteur d'alimentation.....	22

3. Autres informations sur cet appareil

Lois et Réglementations.....	23
Duplications et impressions interdites.....	23
Sécurité laser.....	23
Remarques à l'attention des utilisateurs des USA concernant les exigences de la FCC.....	24
Consignes de sécurité importantes pour l'unité fax.....	26
Remarques à l'attention des utilisateurs de périphériques sans fil au Canada.....	27
Remarques à l'attention des utilisateurs canadiens de l'unité Fax.....	28

4. Annexe

Marques commerciales.....	29
---------------------------	----

Comment lire les manuels

Symboles utilisés dans les manuels

Ce manuel utilise les symboles suivants :

Important

Attire votre attention sur les points essentiels pour un maniement approprié de l'appareil, et explique les raisons éventuelles des incidents papier, des dégâts infligés aux pièces originales ou de la perte de données. Assurez-vous de lire ces explications.

Remarque

Fournit des explications supplémentaires sur les fonctions de l'appareil, et des instructions sur la résolution d'erreurs d'utilisateur.

Référence

Ce symbole est situé en fin de section. Il indique où vous pouvez trouver d'autres informations importantes.

[]

Indique le nom des touches apparaissant sur l'écran ou le panneau de commande de l'appareil.




Indique des instructions affichées sur le panneau de commande.



Indique les instructions sous la forme d'une feuille.

 **Region A** (principalement l'Europe et l'Asie), (principalement l'Europe), ou (principalement l'Asie)

 **Region B** (principalement l'Amérique du Nord)

Les fonctions qui diffèrent entre les modèles de la région A et de la région B sont indiquées par deux symboles. Lisez les informations indiquées par le symbole correspondant à la région du modèle utilisé. Pour plus d'informations concernant la correspondance d'un symbole avec le modèle que vous utilisez, reportez-vous à Prise en main .

Avis de non-responsabilité

Dans le cadre prévu par la loi, en aucun cas le fabricant ne peut être tenu responsable de tout dommage pouvant découler de pannes de cet appareil, de pertes de données enregistrées, ou de l'utilisation ou de la non utilisation de ce produit et des manuels utilisateurs fournis avec celui-ci.

Assurez-vous d'avoir une copie ou une sauvegarde des données enregistrées sur l'appareil. Il est possible que des documents ou des données soient effacés en raison d'erreurs d'utilisation ou de dysfonctionnements de l'appareil.

En aucun cas le fabricant ne pourrait être tenu responsable des documents que vous aurez créés à l'aide de cet appareil ou des résultats des données exécutées par vos soins.

Remarques

Le contenu de ce manuel peut faire l'objet de modifications sans avertissement préalable.

Le fournisseur ne pourra être tenu responsable de tout dommage ou frais pouvant résulter de l'utilisation de pièces autres que les pièces d'origine du fournisseur avec vos produits bureautiques.

Pour des documents de bonne qualité, le fournisseur recommande l'utilisation de son toner.

Certaines illustrations de ce manuel peuvent être légèrement différentes de l'appareil.

Types d'appareil

Vérifiez le type de votre machine avant de lire les manuels.

- Type 1 : MP 501SPF
- Type 2 : MP 601SPF

Certains types risquent de ne pas être disponibles dans certains pays. Pour plus de détails, veuillez contacter votre revendeur.

Il est possible que certaines options ne soient pas disponibles dans certains pays. Pour plus de détails, veuillez contacter votre revendeur.

Selon le pays où vous résidez, certaines unités peuvent être en option. Pour plus de détails, veuillez contacter votre revendeur.



1. Manuels fournis avec cet appareil

Ce chapitre traite des manuels pour cet appareil.

Manuels pour cet appareil

Les manuels utilisateur de cet appareil se déclinent selon les formats ci-après :

Format	Manuels
Manuels imprimés	<ul style="list-style-type: none">• À lire avant de commencer• Guide de démarrage• Guide d'installation rapide
CD-ROM	<ul style="list-style-type: none">• Manuel d'installation du pilote
Manuels affichés sur le panneau de commande	<ul style="list-style-type: none">• Manuel utilisateur (manuel HTML)
Page Web	<ul style="list-style-type: none">• À lire avant de commencer• Guide utilisateur• Guide de démarrage• Manuel utilisateur (manuel HTML)• Guide de prise en main• Guide d'installation rapide• Manuel d'installation du pilote

À lire avant de commencer

Avant d'utiliser l'appareil, lisez attentivement la section de ce manuel intitulée Consignes de sécurité. Elle décrit également chaque réglementation et conformité liée à l'environnement.

Guide de démarrage

Il décrit la manière de lire les manuels sur le panneau de commande. Il décrit également la procédure pour se connecter à l'appareil.

Guide utilisateur

Pour chaque guide utilisateur, des résumés concernant le fonctionnement de base de l'appareil, la foire aux questions, la procédure de dépannage à effectuer lorsqu'un message d'erreur apparaît, etc., sont fournis.

Manuel utilisateur (manuel HTML)

Décrit la configuration nécessaire pour l'utilisation de l'appareil, explique comment utiliser les fonctions d'impression, de fax, de copie, de numérisation ou donne des informations sur la

maintenance, les caractéristiques techniques, le dépannage, les paramètres système et les fonctions de sécurité.

Les manuels sont disponibles en anglais, allemand, français, italien, espagnol, néerlandais et russe.

Le Guide utilisateur et le Guide sécurité sont disponibles dans les sept langues mentionnées précédemment et dans d'autres langues.

Pour plus d'informations sur l'utilisation des manuels HTML, reportez-vous à P. 7 "Comment utiliser les Manuels utilisateur ?".

Guide de prise en main

Décrit par page les fonctions de base de copie, de fax et de numérisation.

- Guide de prise en main fonction Copieur
- Guide de prise en main fonction Télécopieur
- Guide de prise en main fonction Scanner


Guide d'installation rapide

Décrit les procédures de déballage et d'installation de l'appareil, portant notamment sur le chargement du papier, sur l'installation de la cartouche d'impression et de la cartouche de toner usagé, etc.

Manuel d'installation du pilote

Explique comment installer et configurer chaque pilote. Ce manuel est inclus sur le CD des pilotes.

Remarque

- Avant de configurer les paramètres d'authentification et de sécurité étendue, reportez-vous au Guide sécurité .
- Vous pouvez télécharger des informations relatives à la certification de l'appareil, évaluée dans le cadre d'un système de certification de sécurité informatique (la certification Critères Communs), à partir de https://support-download.com/services/device/ccmanual/mp_501_601/en/download_admin.html et https://support-download.com/services/device/ccmanual/mp_501_601/en/download_user.html. Ces informations traitent des modalités d'installation de l'appareil. Si vous avez fait l'acquisition d'un appareil certifié Critères Communs, assurez-vous de consulter ces informations avant d'utiliser l'appareil de manière à définir les paramètres adaptés au préalable.
- Vous pouvez consulter les manuels suivants sur la page Web.
 - Annexe
 - DHCP option 204

Comment utiliser les Manuels utilisateur ?

Ce chapitre décrit les Manuels utilisateur de cet appareil.

1

Lire les manuels HTML

Les navigateurs suivants sont recommandés pour lire les manuels HTML.

- Internet Explorer 8/9/10/11
- Firefox 29
- Safari 5.1.7
- Chrome 35

⬇ Remarque

- Si JavaScript est désactivé ou n'est pas disponible sur votre navigateur, vous n'aurez pas la possibilité de faire des recherches ou d'utiliser certains boutons dans la documentation HTML.
- La résolution d'affichage requise est 1 024 × 768 pixels ou plus.
- Vous pouvez lire comment utiliser les manuels HTML dans l'aide située dans le coin supérieur droit de la page supérieure. Les rubriques d'aide expliquent les icônes et les boutons affichés dans les manuels HTML.

Rechercher ce que vous souhaitez ou pouvez faire


Avec la Recherche facile, vous pouvez rechercher ce que vous souhaitez ou pouvez faire avec cet appareil.

1. Cliquez sur Recherche facile (Easy Search) dans le coin supérieur droit de la page d'accueil.
2. Cliquez sur un titre pour afficher l'élément que vous souhaitez lire.

Rechercher par mot-clé

Vous pouvez rechercher dans l'ensemble des manuels HTML.

Cette section explique comment rechercher « Recto/Verso ».

1. Saisissez « Recto/Verso » dans la zone de recherche dans le coin supérieur gauche de la page supérieure.
2. Cliquez sur .

Une liste de titres ou de descriptions qui comprennent « Recto/Verso » apparaît.


Le résultat de la recherche apparaît dans la fenêtre des résultats de recherche. Vous pouvez également utiliser le menu déroulant pour sélectionner un manuel.

3. Cliquez sur un titre pour afficher l'élément que vous souhaitez lire.

Remarque

- Utilisez des mots-clés pour rechercher les éléments que vous souhaitez demander. En fonction du mot-clé que vous saisissez, des mots-clés liés peuvent également apparaître.
- Des éléments comprenant le mot-clé utilisé apparaissent dans la fenêtre des résultats de recherche.
- Si vous saisissez un espace entre les mots-clés, les pages qui contiennent les deux mots-clés sont affichés. Par exemple, si vous saisissez « Recto/Verso », un espace et « copier », les éléments comprenant les deux mots-clés apparaissent dans la fenêtre des résultats de recherche.

Lire les manuels HTML sur le panneau de commande

Vous pouvez également lire les manuels HTML sur le panneau de commande. Pour plus d'informations concernant la manière de lire les manuels HTML sur le panneau de commande, reportez-vous au Guide de démarrage .

2. Consignes de sécurité pour cet appareil

Ce chapitre décrit les principes de sécurité.

Symboles de sécurité pour cet appareil

2

Les significations des symboles de sécurité pour cet appareil sont les suivantes :

	Attention
	Avertissement : élément coupant
	Ne pas toucher
	Ne pas jeter au feu
	Ne pas utiliser d'aspirateur
	À conserver hors de portée des enfants.
	Attention, surface chaude

Consignes de sécurité

Sécurité pendant l'utilisation

Dans ce manuel, les symboles importants suivants sont utilisés :

AVERTISSEMENT

Indique une situation potentiellement dangereuse pouvant entraîner des blessures graves ou mortelles si les instructions ne sont pas suivies.

ATTENTION

Indique une situation potentiellement dangereuse pouvant entraîner des blessures mineures ou modérées ou causer des dégâts matériels.

Précautions de sécurité à suivre

Cette section explique les consignes de sécurité qui doivent toujours être respectées lors de l'utilisation de cet appareil.

Environnements dans lesquels l'appareil peut être utilisé

Cette section explique les consignes de sécurité relatives aux environnements dans lesquels l'appareil peut être utilisé.

AVERTISSEMENT

- N'utilisez pas d'aérosols ou de solvants inflammables à proximité de cet appareil. Évitez également de placer ces objets à proximité de l'appareil. Cela risquerait de provoquer un incendie ou une électrocution.

- Ne placez pas de vases, de plantes en pot, de tasses, d'articles de toilette, de médicaments ou de récipients contenant de l'eau ou tout autre liquide, sur l'appareil ou à proximité. Si de tels objets ou substances venaient à pénétrer dans l'appareil, il pourrait en résulter un risque d'incendie ou d'électrocution.

ATTENTION

- Tenez l'appareil à l'abri de l'humidité et de la poussière. Sinon, un incendie ou une électrocution pourrait se produire.
- Ne placez pas l'appareil sur une surface instable ou inclinée. S'il bascule, vous risqueriez de vous blesser.

ATTENTION

- Ne placez pas d'objets lourds sur ce dernier. L'appareil pourrait basculer et vous risqueriez de vous blesser.
- Assurez-vous que la pièce dans laquelle vous utilisez l'appareil est spacieuse et bien ventilée. Une bonne ventilation est particulièrement importante lorsque l'appareil est beaucoup utilisé.
- N'obstruez pas les orifices de ventilation de l'appareil. Cela risquerait de provoquer un incendie dû à la surchauffe des composants internes.

2

Manipulation des cordons d'alimentation et des prises électriques

Cette section explique les consignes de sécurité relatives aux câbles d'alimentation et aux fiches d'alimentation.

AVERTISSEMENT

- N'utilisez aucune source d'alimentation autre que celles conformes aux spécifications indiquées. Cela risquerait de provoquer un incendie ou une électrocution.
- N'utilisez aucune fréquence autre que celles conformes aux spécifications indiquées. Cela risquerait de provoquer un incendie ou une électrocution.
- N'utilisez pas d'adaptateurs multiprises. Cela risquerait de provoquer un incendie ou une électrocution.
- N'utilisez pas de rallonges. Cela risquerait de provoquer un incendie ou une électrocution.
- N'utilisez pas de cordons d'alimentation endommagés, coupés ou modifiés. Par ailleurs, n'utilisez pas de cordons d'alimentation qui ont été coincés sous des objets lourds, fortement tirés ou gravement tordus. Cela risquerait de provoquer un incendie ou une électrocution.
- Le fait de toucher les broches de la prise du cordon d'alimentation avec un objet métallique constitue un risque d'incendie ou d'électrocution.
- Le cordon d'alimentation fourni n'est à utiliser qu'avec cet appareil. Ne l'utilisez pas avec d'autres dispositifs. Cela risquerait de provoquer un incendie ou une électrocution.
- Il est dangereux de manipuler la prise du cordon d'alimentation avec les mains humides. Cela risquerait de provoquer une électrocution.

AVERTISSEMENT

- Si le cordon d'alimentation est endommagé et ses fils intérieurs sont nus ou coupés, contactez votre SAV pour le remplacer. L'utilisation de cordons d'alimentation endommagés risque de provoquer un incendie ou une électrocution.

- Assurez-vous de débrancher l'appareil de la prise murale au moins une fois par an et de vérifier les points suivants :
 - Présence de marques de brûlures sur la prise.
 - Broches de la prise déformées.
- Dans l'une des conditions ci-dessus, n'utilisez pas la prise et consultez votre revendeur ou le SAV. L'utilisation de la prise risque de provoquer un incendie ou une électrocution.

- Assurez-vous de déconnecter le cordon d'alimentation de la prise murale au moins une fois par an et de vérifier les points suivants :
 - Les fils internes du cordon d'alimentation sont à nu, cassés, etc.
 - Le revêtement du cordon d'alimentation présente une fissure ou une bosse.
 - Lorsque le cordon d'alimentation est courbé, l'alimentation se coupe.
 - Une partie du cordon d'alimentation devient chaude.
 - Le cordon d'alimentation est endommagé.
- Dans l'un de ces cas, n'utilisez pas le cordon d'alimentation et consultez votre revendeur ou le SAV. L'utilisation du cordon d'alimentation risque de provoquer un incendie ou une électrocution.

ATTENTION

- Vérifiez que la fiche du câble d'alimentation est entièrement enfoncée dans la prise murale. Lorsque des fiches sont partiellement insérées, la connexion est instable et cela peut entraîner une dangereuse accumulation de chaleur.

- Si cet appareil n'est pas utilisé pendant plusieurs jours, voire plus, débranchez le câble d'alimentation de la prise murale.

- Lors du débranchement du cordon d'alimentation de la prise murale, tirez toujours sur la fiche et non sur le cordon. Le fait de tirer sur le cordon d'alimentation risque de l'endommager. L'utilisation de cordons d'alimentation endommagés risque de provoquer un incendie ou une électrocution.

- Assurez-vous de débrancher la fiche de la prise murale et de nettoyer les broches, ainsi que la zone se trouvant à proximité, au moins une fois par an. L'accumulation de poussière sur la prise constitue un risque d'incendie.

ATTENTION

- Pour effectuer la maintenance de l'appareil, débranchez toujours le cordon d'alimentation de la prise murale.

- Source d'alimentation

120–127 V, 11 A, 60 Hz

Veillez à relier le cordon d'alimentation à une source d'alimentation électrique comme indiqué plus haut.

2

Manipulation de l'appareil principal

Cette section explique les consignes de sécurité relatives à la manipulation de l'appareil principal.

AVERTISSEMENT

- Veillez à installer l'appareil le plus proche possible d'une prise murale. Cela permet de débrancher facilement le cordon d'alimentation en cas d'urgence.

- Si l'appareil dégage de la fumée ou des odeurs, ou s'il se comporte de manière inhabituelle, éteignez-le immédiatement. Après avoir éteint l'appareil, veillez à débrancher le cordon d'alimentation de la prise murale. Contactez ensuite votre SAV et rapportez le problème. N'utilisez pas l'appareil. Cela risquerait de provoquer un incendie ou une électrocution.

- Si des objets métalliques, de l'eau ou d'autres liquides pénètrent dans l'appareil, éteignez-le immédiatement. Après avoir éteint l'appareil, veillez à débrancher le cordon d'alimentation de la prise murale. Contactez ensuite votre SAV et rapportez le problème. N'utilisez pas l'appareil. Cela risquerait de provoquer un incendie ou une électrocution.

- Ne touchez pas cet appareil si la foudre a frappé à proximité. Cela risquerait de provoquer une électrocution.

- La section suivante explique les messages d'avertissement du sac plastique utilisé pour l'emballage du produit.
 - Ne laissez jamais les matériaux en polyéthylène (pochettes, etc.) fournis avec cet appareil à portée des bébés ou des jeunes enfants. Si ces matériaux entrent en contact avec la bouche ou le nez, ils peuvent entraîner une asphyxie.

ATTENTION

- Débranchez le cordon d'alimentation de la prise murale avant de déplacer l'appareil. Lors du déplacement de l'appareil, veillez à ne pas endommager le cordon d'alimentation sous l'appareil. Le non-respect de ces précautions peut entraîner un incendie ou une électrocution.

ATTENTION

- Si vous devez déplacer l'appareil alors que le magasin papier en option est fixé, ne poussez pas la partie supérieure de l'unité. Faire ceci pourrait entraîner le détachement du magasin papier et éventuellement une blessure.
- L'appareil pèse environ 28 kg (62 lb.).
- Lorsque vous déplacez l'appareil, utilisez ses poignées latérales, et soulevez-les lentement en même temps. Si vous laissez tomber l'appareil, vous pourriez l'endommager ou vous blesser.
- Soulevez délicatement l'unité d'alimentation papier : un déplacement brutal ou une chute de l'imprimante peut provoquer des blessures.
- Une fois que vous avez déplacé l'appareil, utilisez le système de blocage des roulettes pour le maintenir en place. Sinon, l'appareil pourrait bouger ou tomber, ce qui pourrait entraîner des blessures.
- Contactez le SAV si vous avez besoin de déplacer l'appareil (comme par exemple si vous souhaitez le déménager à un autre étage). Ne tentez pas de déplacer l'appareil sans l'aide du SAV. L'appareil sera endommagé s'il bascule ou si vous le laissez tomber, ce qui entraînerait des dysfonctionnements et des risques de blessures des utilisateurs.
- Avant d'installer ou de supprimer des options, débranchez toujours les cordons d'alimentation de la prise murale et attendez que l'unité principale refroidisse complètement. Le non-respect de ces précautions risque d'entraîner des brûlures.
- Ne regardez pas la lampe. Cela pourrait endommager vos yeux.
- Ne tenez pas le panneau de commande lors du déplacement de l'appareil. Vous pourriez endommager le panneau de commande, provoquer un dysfonctionnement ou vous blesser.
- Gardez vos mains éloignées des charnières et de la vitre d'exposition lorsque vous abaissez l'ADF. Vous risqueriez de vous coincer les doigts et de vous blesser.

Manipulation de l'intérieur de l'appareil

Cette section explique les consignes de sécurité relatives à la manipulation de l'intérieur de l'appareil.

⚠️ AVERTISSEMENT

- Ne retirez aucun capot ou vis autres que ceux spécifiquement mentionnés dans ce manuel. Cet appareil contient des composants haute tension qui peuvent provoquer une électrocution et des composants laser qui peuvent entraîner la cécité. Contactez votre revendeur ou le SAV si l'un des composants internes de l'appareil doit faire l'objet d'une maintenance, un réglage ou une réparation.
- Ne tentez pas de démonter ou modifier cet appareil. Cela risquerait d'entraîner des brûlures ou une électrocution. Notez à nouveau qu'une exposition aux composants laser internes à l'appareil peut entraîner la cécité.

⚠️ ATTENTION

- Certains des composants internes de cet appareil deviennent très chauds. Par conséquent, faites attention lors du retrait du papier coincé. Dans le cas contraire, vous risqueriez de vous brûler.
- Lors du retrait du papier coincé, assurez-vous de ne pas vous coincer les doigts ou de vous blesser.
- Lors du chargement du papier, veillez à ne pas vous coincer ou blesser vos doigts.
- Bien que des mesures de sécurité aient été mises en place afin d'éviter les accidents, vous ne devez pas toucher les rouleaux de l'appareil pendant le fonctionnement. Vous pourriez vous blesser.
- Si l'intérieur de l'appareil n'est pas régulièrement nettoyé, la poussière risque de s'accumuler. Un incendie et une panne peuvent résulter d'une accumulation de poussières à l'intérieur de l'appareil. Consultez votre revendeur ou le SAV pour plus d'informations sur les frais de nettoyage de l'intérieur de l'appareil.

Manipulation des consommables de l'appareil

Cette section explique les consignes de sécurité relatives aux consommables de l'appareil.

⚠️ AVERTISSEMENT

- Ne brûlez pas de toner (neuf ou usagé) ou les cartouches de toner. Cela risque de provoquer des brûlures. Le toner s'enflamme au contact d'une flamme nue.
- Ne stockez pas le toner (neuf ou usagé) ou les cartouches de toner à proximité de flammes nues. Cela risque de provoquer un incendie ou des brûlures. Le toner s'enflamme au contact d'une flamme nue.

AVERTISSEMENT

- N'utilisez pas d'aspirateur pour retirer le toner renversé (y compris le toner usagé). Le toner aspiré peut provoquer un incendie ou une explosion en raison du vacillement du contact électrique à l'intérieur de l'aspirateur. Il est cependant possible d'utiliser un aspirateur antidéflagrant et anti-inflammation. Si vous renversez du toner sur le sol, retirez-le délicatement à l'aide d'un tissu humide afin d'éviter de l'éparpiller.

- La section suivante explique les messages d'avertissement du sac plastique utilisé pour l'emballage du produit.
 - Ne laissez jamais les matériaux en polyéthylène (pochettes, etc.) fournis avec cet appareil à portée des bébés ou des jeunes enfants. Si ces matériaux entrent en contact avec la bouche ou le nez, ils peuvent entraîner une asphyxie.

ATTENTION

- N'écrasez pas ou ne comprimez pas les cartouches de toner. Cela risque de provoquer un déversement du toner, pouvant éventuellement salir la peau, les vêtements et le sol, ou entraîner une ingestion accidentelle.

- Stockez le toner (neuf ou usagé), les récipients de toner et les consommables qui ont été en contact avec le toner hors de portée des enfants.

- Si vous inhalez du toner ou du toner usagé, gargarisez-vous avec une grande quantité d'eau et allez dans un endroit où vous pouvez respirer de l'air frais. Consultez un médecin, si nécessaire.

- Si du toner ou du toner usagé est projeté dans vos yeux, rincez-les immédiatement avec une grande quantité d'eau. Consultez un médecin, si nécessaire.

- Si vous avalez du toner ou du toner usagé, diluez-le en buvant une grande quantité d'eau. Consultez un médecin, si nécessaire.

- Lors du retrait du papier coincé ou du remplacement du toner, évitez de déverser du toner (neuf ou usagé) sur vos vêtements. Si du toner entre en contact avec vos vêtements, lavez la zone tâchée à l'eau froide. L'eau chaude fixe le toner dans le tissu et vous risquez de ne plus pouvoir enlever la tâche.

- Lors du retrait du papier coincé ou du remplacement du toner, évitez de déverser du toner (neuf ou usagé) sur votre peau. Si du toner entre en contact avec votre peau, lavez soigneusement la zone affectée avec de l'eau et du savon.

ATTENTION

- Lorsque vous remplacez du toner, une cartouche de toner usagé ou des consommables contenant du toner, assurez-vous que vous ne faites pas d'éclaboussures de toner. Placez les consommables usagés dans un sac après les avoir retirés. Dans le cas de consommables dotés d'un couvercle, assurez-vous que le couvercle est fermé.
- N'essayez pas d'imprimer sur des feuilles agrafées, du papier aluminium, du papier carbone ou tout type de papier conducteur. Cela risque de provoquer un incendie.
- Conservez les cartes SD ou clés USB hors de portée des enfants. En cas d'ingestion accidentelle d'une carte SD ou d'une clé USB par un enfant, consultez immédiatement un médecin.

Étiquettes de sécurité de cet appareil

Cette section contient des informations concernant les étiquettes d'information sécurité de l'appareil.

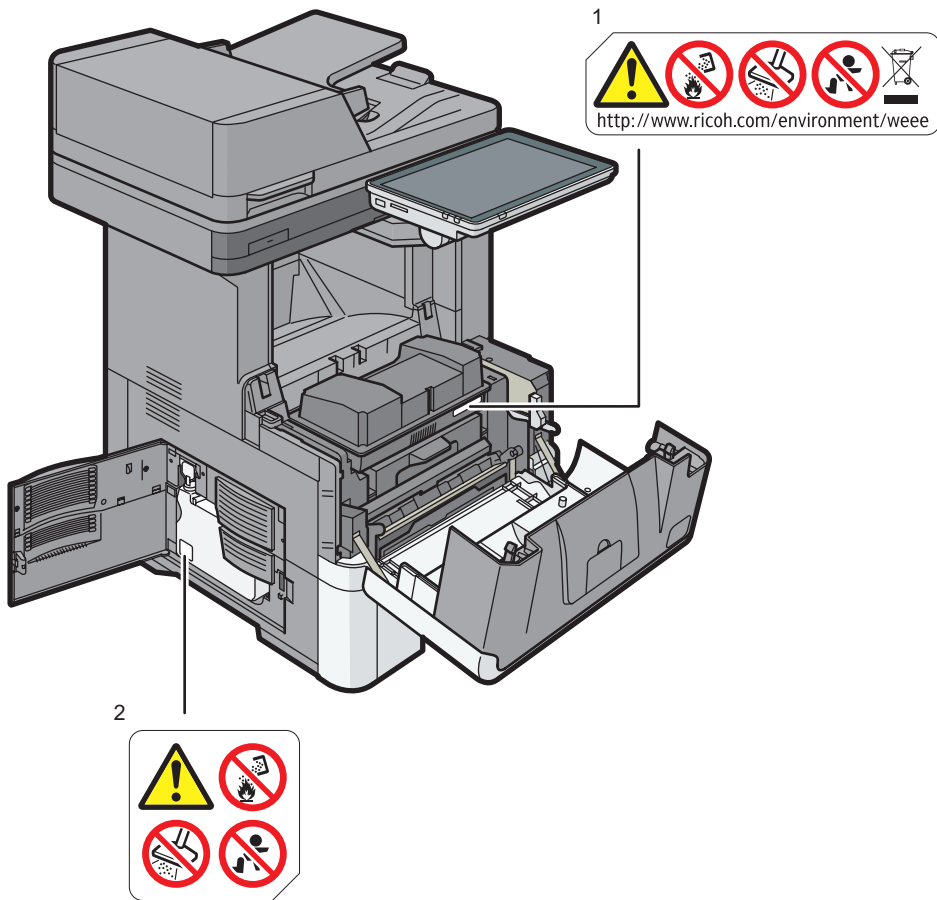
Emplacements des étiquettes AVERTISSEMENT et ATTENTION

2

Cet appareil comporte des étiquettes **AVERTISSEMENT** et **ATTENTION** situées aux emplacements illustrés ci-dessous. Pour votre sécurité, suivez les instructions et manipulez l'appareil de la manière indiquée.

Unité principale

Partie avant gauche



1.

Ne brûlez pas les cartouches de toner. Vous risqueriez de vous brûler car le toner prend feu au contact d'une flamme.

N'utilisez pas d'aspirateur pour ramasser du toner. Le toner aspiré peut provoquer un incendie ou une explosion en raison du vacillement du contact électrique à l'intérieur de l'aspirateur.

Conservez les cartouches de toner hors de portée des enfants. Si un enfant avale accidentellement du toner, consultez immédiatement un médecin.

Ne tenez pas la cartouche de toner d'une seule main. Tenez la fermement à deux mains et ne la secouez pas.

Si vous la laissez tomber elle risquerait d'être endommagée. Si du toner s'éparpille, vous risquez d'en inspirer. De plus, vous risquez de salir vos mains, vos vêtements ou le sol.

2.

Ne brûlez pas les cartouches de toner usagé. Vous risqueriez de vous brûler car le toner prend feu au contact d'une flamme.

N'utilisez pas d'aspirateur pour ramasser du toner usagé. Le toner aspiré peut provoquer un incendie ou une explosion en raison du vacillement du contact électrique à l'intérieur de l'aspirateur.

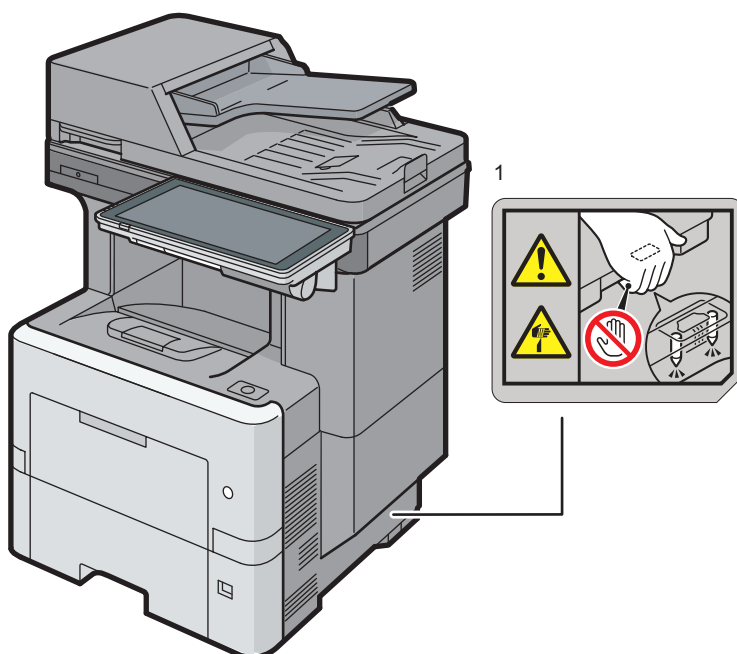
Conservez les cartouches de toner usagé hors de portée des enfants. Si un enfant avale accidentellement du toner, consultez immédiatement un médecin.

Ne tenez pas la cartouche de toner usagé d'une seule main. Tenez la fermement à deux mains et ne la secouez pas.

Si vous la laissez tomber elle risquerait d'être endommagée. Si du toner s'éparpille, vous risquez d'en inspirer. De plus, vous risquez de salir vos mains, vos vêtements ou le sol.

Face avant et droite

2

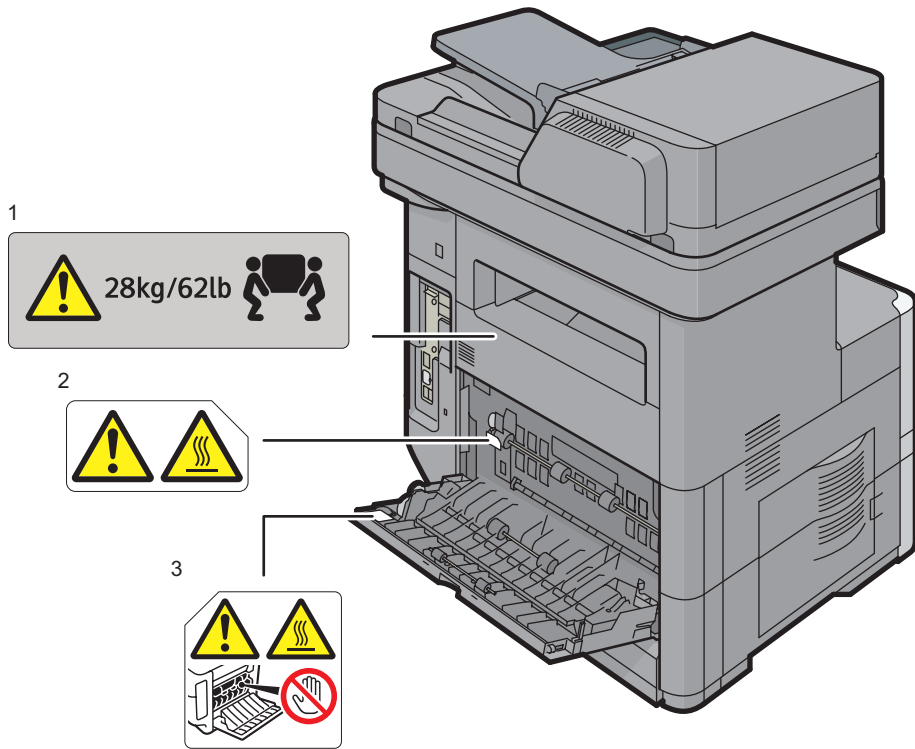


DPK003

1

La partie inférieure de cet appareil comprend des éléments saillants, à proximité de cette étiquette. Ne touchez pas la partie inférieure de cet appareil, ni les éléments à proximité de cette étiquette.

Face arrière



DPK002

1.

L'appareil pèse environ 28 kg (62 lb.).

Lorsque vous déplacez l'imprimante, utilisez ses poignées latérales.

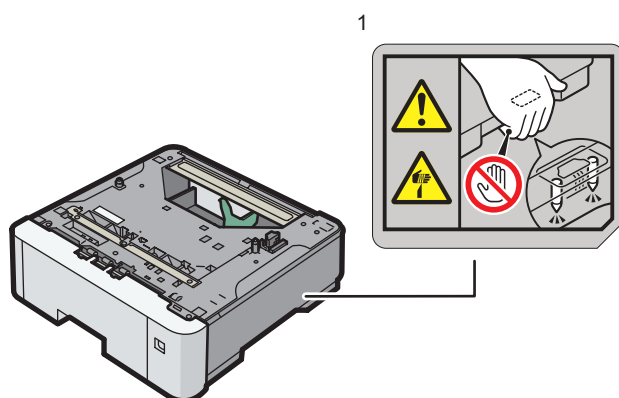
2, 3

Ne touchez pas les parties signalées par une étiquette. L'intérieur et la surface de l'unité de fusion peuvent être très chauds.

Soyez prudent lorsque vous retirez du papier coincé.

Unité d'alimentation papier 500 feuilles

2



DPK004

1

La partie inférieure de cet appareil comprend des éléments saillants, à proximité de cette étiquette. Ne touchez pas la partie inférieure de cet appareil, ni les éléments à proximité de cette étiquette.

Symboles de l'interrupteur d'alimentation

Les symboles pour l'interrupteur de mise sous tension utilisés sur cet appareil sont les suivants :

-  : EN VEILLE

3. Autres informations sur cet appareil

Ce chapitre décrit les lois et la réglementation relatives à cet appareil.

Lois et Réglementations

Duplications et impressions interdites

N'effectuez aucune copie ou impression de documents dont la reproduction est interdite par la loi.

La copie ou l'impression des éléments suivants est généralement interdite par la loi :

billets de banques, timbres fiscaux, obligations, certificats d'actions, traites bancaires, chèques, passeports, permis de conduire.

La liste ci-dessus n'est fournie qu'à titre indicatif et n'est pas exhaustive. Nous déclinons toute responsabilité concernant son exhaustivité ou sa précision. Si vous avez des questions concernant la légalité de la copie ou de l'impression de certains éléments, contactez votre conseiller juridique.

Sécurité laser

Sécurité laser

Cet équipement est conforme aux exigences du CFR, Titre 21, Sous-chapitre J relatif aux produits laser de classe I. Cet équipement contient deux diodes laser en barrette monolithique ; chaque émetteur pouvant produire une longueur d'ondes de 660–680 nanomètres. L'angle de divergence du faisceau est de 16 degrés (minimum) et 24 degrés (maximum) dans le sens vertical, et 7 degrés (minimum) et 13 degrés (maximum) dans le sens horizontal ; les faisceaux laser sont générés en mode Onde entretenue. La puissance maximale de la source lumineuse est de 25 milliwatts.

Attention

Recourir à toute procédure en termes de commandes, réglage ou performances autre que celles décrites dans ce manuel peut vous exposer dangereusement à des radiations.

Remarques à l'attention des utilisateurs des USA concernant les exigences de la FCC

Partie 15 des règles FCC

Remarque :

Cet appareil a été testé et déclaré conforme aux limites des appareils numériques de Classe B, selon la section 15 des règlements de la FCC. Ces limites sont conçues pour fournir une protection raisonnable contre le brouillage nuisible dans une installation résidentielle. L'appareil génère, utilise et peut diffuser de l'énergie sur les fréquences radio et, s'il n'est pas installé et utilisé conformément aux instructions, il peut brouiller les communications radio. Néanmoins, il n'est pas garanti qu'aucun brouillage ne se produira dans une installation particulière. Si cet équipement produit des brouillages nuisibles pour la réception radio ou de télévision (cela peut être déterminé en mettant l'appareil hors tension, puis sous tension à nouveau), nous encourageons l'utilisateur à tenter de corriger ces interférences en appliquant une ou plusieurs des procédures suivantes :

- Réorientez ou déplacez l'antenne réceptrice.
- Augmentez la séparation entre l'équipement et le récepteur.
- Branchez l'appareil sur une prise sur un circuit différent de celui où est connecté le récepteur.
- Consultez le vendeur ou un technicien radio /TV expérimenté pour obtenir de l'aide.

Attention :

Toute modification non autorisée par les autorités responsables de la conformité peut entraîner la révocation du droit d'utilisation de ce produit.

Cet émetteur ne doit pas être placé près de ou être utilisé avec une autre antenne ou un autre émetteur.

Cet équipement est conforme aux limites d'exposition aux radiofréquences de la FCC établies pour un environnement non contrôlé et se conforme aux exigences de conformité pour l'exposition aux RF de la FCC. Cet équipement doit être installé et utilisé en mettant le radiateur à une distance d'au moins 20 cm du corps d'une personne (sauf les extrémités : mains, poignets, pieds et chevilles).

Déclaration de conformité

Ce périphérique est conforme à la partie 15 des règles de la FCC.

L'utilisation est soumise aux deux conditions suivantes :

- (1) Cet appareil ne doit pas produire de brouillage nuisible, et
- (2) Cet appareil doit être prêt à accepter tout brouillage radioélectrique reçu, même si ce brouillage est susceptible de compromettre le fonctionnement du dispositif.

Partie responsable : Ricoh USA, Inc.

Adresse : 70 Valley Stream Parkway Malvern, Pennsylvania 19355

Numéro de téléphone : 610-296-8000

Nom de produit : Périphérique multifonction

Numéro de modèle :

- MP 501 SPF
- MP 601 SPF

Installation du câble à noyau de ferrite

Un câble de ligne téléphonique équipé d'un noyau de ferrite doit être utilisé pour éliminer les interférences de radio-fréquence.

Partie 68 des règles FCC concernant l'unité Fax

3

1. Cet équipement est conforme à la partie 68 des règles de la FCC. Le capot de cet équipement est doté d'une étiquette qui comprend, entre autres informations, son numéro d'enregistrement FCC et son REN (numéro d'équivalence de sonnerie). Si elles sont demandées, vous devez donner ces informations à votre opérateur téléphonique.
2. Cet équipement utilise le connecteur RJ11C USOC.
3. La prise et le connecteur utilisés pour la connexion de l'équipement au réseau de câbles et de téléphone des locaux doivent être conformes aux règles applicables de la partie 68 de la FCC et aux exigences adoptées par l'ACTA. Un câble téléphonique et une prise modulaire conformes sont fournis avec ce produit. Ils sont conçus pour être connectés à un connecteur modulaire compatible, lui-même conforme. Reportez-vous aux instructions d'installation pour plus de détails.
4. Le REN est utilisé pour déterminer le nombre d'appareils pouvant être connectés à une ligne téléphonique. S'il y a trop de REN sur une ligne téléphonique, il est possible que les appareils ne sonnent pas pour un appel entrant. Dans la plupart des zones (mais pas dans toutes les zones), la somme des REN ne doit pas être supérieure à cinq (5,0). Pour vous assurer du nombre de périphériques pouvant être connectés à une ligne (déterminé par le nombre total de REN), veuillez contacter l'opérateur téléphonique local.
5. Si cet équipement cause des dommages au réseau téléphonique, l'opérateur vous préviendra à l'avance qu'une interruption temporaire du service est requise. Mais si la notification préalable n'est pas réalisable, l'opérateur préviendra le client dès que possible. De la même manière, vous serez informé de votre droit de déposer une plainte auprès de la FCC si vous pensez que cela est nécessaire.
6. Il est possible que l'opérateur téléphonique réalise des modifications sur ses équipements, ses opérations ou ses procédures pouvant affecter le fonctionnement de cet appareil. Le cas échéant, l'opérateur vous préviendra en avance afin de vous permettre de réaliser les modifications nécessaires à la continuité du service.
7. Si vous rencontrez des problèmes avec cet équipement ou pour des informations de réparation ou de garantie, veuillez contacter le Service support Clients de Ricoh USA, Inc. Customer au numéro 1-888-456-6457. Si cet appareil provoque des problèmes avec votre réseau téléphonique,

L'opérateur de téléphonie peut demander que vous débranchiez l'équipement jusqu'à ce que le problème soit résolu.

8. Dans le cas de problèmes de fonctionnement (incident papier, indication d'erreur de communication), reportez-vous au manuel fourni avec l'appareil pour obtenir des instructions sur la résolution des problèmes.
9. La connexion à un service de ligne partagée est sujette à des tarifs d'état. Veuillez contacter la commission du service public de l'état ou la commission de la société pour plus d'information.
10. Si votre domicile comporte un dispositif d'alarme connecté à la ligne téléphonique, assurez-vous que l'installation de cet appareil ne désactive pas cette alarme. Si vous avez des questions sur ce qui est susceptible de désactiver votre dispositif d'alarme, veuillez consulter votre opérateur téléphonique ou un installateur qualifié.

3

LORS DE LA PROGRAMMATION DE NUMÉROS D'URGENCE ET/OU LORS DES APPELS TESTS AUX NUMÉROS D'URGENCE :

1. Restez en ligne et expliquez brièvement au répartiteur la raison de votre appel avant de raccrocher.
2. Procédez à ces opérations lors des heures creuses, par exemple très tôt le matin ou tard le soir.

Le Telephone Consumer Protection Act de 1991 définit comme illégal le fait qu'une personne utilise un ordinateur ou tout autre appareil électronique, y compris les fax, pour envoyer un message à moins que ce message contienne dans une marge en haut ou en bas de chaque page transmise ou sur la première page de la transmission la date et l'heure à laquelle il a été envoyé, l'identité de l'entreprise, organisme ou personne envoyant ce message, ainsi que le numéro de téléphone de l'appareil émetteur, de l'entreprise, de l'organisme ou de la personne. (Le numéro de téléphone fourni ne peut pas être un numéro 900 ou tout autre numéro pouvant entraîner une tarification supérieure à la tarification locale ou des frais de transmission longue distance).

Pour programmer ces informations dans votre fax, vous devez exécuter les étapes suivantes : Suivez la procédure de programmation de l'en-tête de fax dans le chapitre Programmation du manuel utilisateur afin de saisir l'identifiant de l'entreprise et le numéro de fax du terminal ou de l'entreprise. Ces informations sont transmises avec votre document par la fonction En-tête de fax. En plus de ces informations, assurez-vous de bien programmer la date et l'heure sur votre appareil.

Consignes de sécurité importantes pour l'unité fax

Lorsque vous utilisez votre équipement téléphonique, vous devez veiller à toujours suivre les précautions de sécurité de base afin de réduire les risques d'incendie, d'électrocution et de blessures, incluant :

- N'utilisez pas ce produit à proximité de l'eau, par exemple près d'une baignoire, d'un lavabo, d'un évier ou d'une cuve de lessivage, dans un sous-sol humide ou près d'une piscine.
- Évitez d'utiliser un téléphone lors d'un orage. Il peut y avoir un risque d'électrocution.
- N'utilisez pas de téléphone à proximité d'une fuite de gaz pour signaler ladite fuite.

Veillez conserver ces instructions.

IMPORTANTES MESURES DE SÉCURITÉ de l'unité Fax

Certaines mesures de sécurité doivent être prises pendant l'utilisation de matériel téléphonique afin de réduire les risques d'incendie, de choc électrique et de blessures. En voici quelques-unes:

- Ne pas utiliser l'appareil près de l'eau, p.ex., près d'une baignoire, d'un lavabo, d'un évier de cuisine, d'un bac à laver, dans un sous-sol humide ou près d'une piscine.
- Éviter d'utiliser le téléphone (sauf s'il s'agit d'un appareil sans fil) pendant un orage électrique. Ceci peut présenter un risque de choc électrique causé par la foudre.
- Ne pas utiliser l'appareil téléphonique pour signaler une fuite de gaz s'il est situé près de la fuite.

Conserver ces instructions.

3

Remarques à l'attention des utilisateurs de périphériques sans fil au Canada

Le présent appareil est conforme aux normes CNR d'Industry Canada applicables aux appareils radio exempts de licence.

L'utilisation est soumise aux deux conditions suivantes :

- (1) l'appareil ne doit pas produire de brouillage ; et
- (2) l'utilisateur de l'appareil doit accepter tout brouillage radioélectrique subi, même si le brouillage est susceptible d'en compromettre le fonctionnement.

À l'attention des utilisateurs de la carte LAN sans fil :

La bande 5150-5250 GHz doit être limitée à l'utilisation en intérieur uniquement.

The maximum antenna gain permitted for devices in the bands 5250-5350 MHz and 5470-5725 MHz shall comply with the e.i.r.p. limit.

The maximum antenna gain permitted for devices in the band 5725-5825 MHz shall comply with the e.i.r.p. limits specified for point-to-point and non point-to-point operation as appropriate.

High-power radars are allocated as primary users (i.e. priority users) of the bands 5250-5350 MHz and 5650-5850 MHz and these radars could cause interference and/or damage to LE-LAN devices.

Remarques à l'attention des utilisateurs canadiens d'appareils sans fil

Le présent appareil est conforme aux CNR d'Industrie Canada applicables aux appareils radio exempts de licence.

L'exploitation est autorisée aux deux conditions suivantes :

- (1) l'appareil ne doit pas produire de brouillage, et

(2) l'appareil doit accepter tout brouillage radioélectrique subi, même si le brouillage est susceptible d'en compromettre le fonctionnement.

À l'attention des utilisateurs de la carte LAN sans fil :

La bande 5 150-5250 MHz est restreinte à une utilisation en intérieur seulement.

Le gain maximal d'antenne permis pour les périphériques utilisant les bandes 5 250 - 5 350 MHz et 5 470 - 5 725 MHz doit se conformer à la limite de p.i.r.e.

Le gain maximal d'antenne permis pour les périphériques utilisant la bande 5 725 - 5 825 MHz doit se conformer à la limite de p.i.r.e. spécifiée pour l'exploitation point à point et non point à point, selon le cas.

Les utilisateurs de radars de haute puissance sont désignés utilisateurs principaux (c.-à-d., qu'ils ont la priorité) pour les bandes 5 250 - 5 350 MHz et 5 650 - 5 850 MHz et ces radars pourraient causer du brouillage et/ou des dommages aux périphériques LE-LAN.

3

Remarques à l'attention des utilisateurs canadiens de l'unité Fax

Ce produit correspond aux caractéristiques techniques de « Innovation, Sciences et Développement économique Canada ».

Le numéro d'équivalence de sonnerie (REN) indique le nombre maximum d'appareils pouvant être connectés à une interface téléphonique. La terminaison d'une interface peut être constituée de n'importe quelle combinaison d'appareils, à la seule condition que la somme des REN de tous ces appareils ne dépasse pas cinq.

Remarques à l'attention des utilisateurs canadiens de l'unité Fax

Le présent produit est conforme aux spécifications techniques applicables d'Innovation, Sciences et Développement économique Canada.

L'indice d'équivalence de la sonnerie (IES) sert à indiquer le nombre maximal de dispositifs qui peuvent être raccordés à une interface téléphonique. La terminaison d'une interface peut consister en une combinaison quelconque de dispositifs, à la seule condition que la somme des IES de tous les dispositifs n'excède pas cinq.

4. Annexe

Cette annexe décrit les marques commerciales de l'appareil.

Marques commerciales

Adobe est une marque commerciale d'Adobe Systems Incorporated aux États-Unis et/ou dans d'autres pays.

Firefox est une marque déposée de Mozilla Foundation.

Google et Chrome sont des marques déposées de Google Inc.

Microsoft, Windows et Internet Explorer sont soit des marques déposées, soit des marques commerciales de Microsoft Corporation aux États-Unis et/ou dans d'autres pays.

Safari est une marque commerciale d'Apple Inc., déposée aux États-Unis et dans d'autres pays.

SD est une marque commerciale de SD-3C, LLC.

Les noms exacts d'Internet Explorer 8, 9, 10 et 11 sont les suivants :

- Windows® Internet Explorer® 8
- Windows® Internet Explorer® 9
- Internet Explorer® 10
- Internet Explorer® 11

D'autres noms de produits sont mentionnés ici dans un souci d'identification uniquement ; il peut s'agir des marques de leurs sociétés détentrices respectives. Nous renonçons à tout ou partie des droits relatifs à ces marques.

MEMO

MEMO

MEMO

