

UNITED STATES STOVE CO

EST^d 1869

MODEL: US1269E Log Wood

DO NOT USE THIS HEATER IN A MOBILE HOME. SAVE THESE INSTRUCTIONS THIS MANUAL WILL HELP YOU TO OBTAIN EFFICIENT, DEPENDABLE SERVICE FROM THE HEATER, AND ENABLE YOU TO ORDER REPAIR PARTS CORRECTLY. KEEP IN A SAFE PLACE FOR FUTURE REFERENCE.

CAUTION!

Please read this entire manual before you install or use your new room heater. Failure to follow instructions may result in property damage, bodily injury, or even death. Improper Installation Could Void Your Warranty!

SAFETY NOTICE:

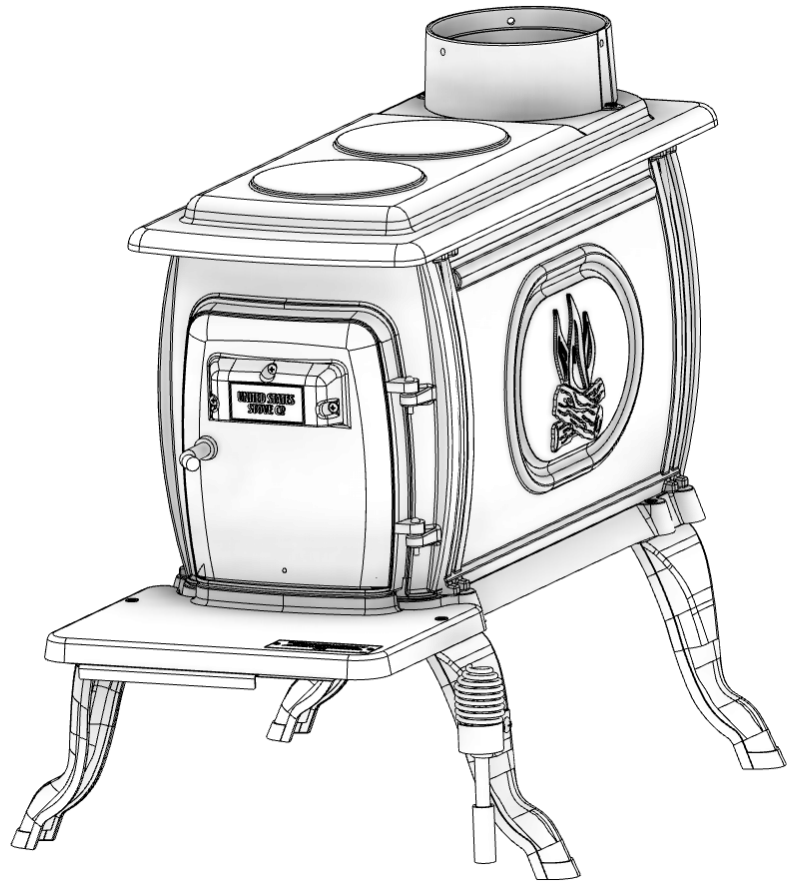
If this heater is not properly installed, a house fire may result. For your safety, follow the installation instructions. Never use make-shift compromises during the installation of this heater. Contact local building or fire officials about permits, restrictions and installation requirements in your area.

CALIFORNIA PROPOSITION 65 WARNING:

This product can expose you to chemicals including carbon monoxide, which is known to the State of California to cause cancer, birth defects and/or other reproductive harm. For more information, go to www.P65warnings.ca.gov

U.S. Environmental Protection Agency

Certified to comply with 2020 particulate emission standards for single burn rate heaters. This single burn rate wood heater is not approved for use with a flue damper.



Report Number: F19-526
Certified to UL 1482-2011 (R2015)
and ULC-S627-00 (R2016)

United States Stove Company
227 Industrial Park Road
South Pittsburg, TN 37380

853614---3505i

The instructions pertaining to the installation of your wood stove comply with UL & ULC standards. This manual describes the installation and operation of the United States Stove Company Model US1269E woodheater. This heater meets the 2020 U.S. Environmental Protection Agency's crib wood emission limits for woodheaters sold after May 15, 2020. Under specific EPA test conditions burning Douglas Fir dimensional lumber this heater has been shown to deliver heat at a rate of 29,234 to 26,300 Btu/hr. This heater achieved a particulate emissions rate of 1.8 g/hr when tested to method ASTM E2780-10 single Burn Rate Appendix (*and an efficiency of 67%.)

Combustible:	Wood
Colors:	Flat Black
Flue Pipe Diameter:	6" (15.3 cm)
Flue Pipe Type: (Standard Single Wall):	Black or Blued Steel 2100°F (650°C)
Minimum Chimney Height:	12' (3.7 m)
Maximum Log Length:	19" (483 mm)
Electrical:	None
Dimensions	
Overall (Depth x Width x Height):	33" x 18.5" x 23" (838 mm X 470 mm X 854 mm)
Combustion Chamber: Width x Depth:	9" x 19" (229 mm X 482 mm)
Volume: Cubic Feet:	1.2 cubic feet
Door Opening:	7.5" x 10.2" (191 mm X 259 mm)
Weight (lbs):	140 lbs

Note: Register your product on line at www.usstove.com. Save your receipt with your records for any claims.

NOTICE: This wood heater needs periodic inspection and repair for proper operation. It is against federal regulations to operate this wood heater in a manner inconsistent with operating instructions in this manual. The operation of this wood heater in a manner inconsistent with the owner's manual will void your warranty.

Safety Rules

SAFETY NOTICE: If this heater is not properly installed, a house fire may result. For your safety, follow the installation directions. Contact local building or fire officials about restrictions and installation inspection requirements in your area.

READ THESE RULES AND THE INSTRUCTIONS CAREFULLY

1. Check with local codes. The installation must comply with their rulings. Observe closely the clearances to combustibles.
2. Do not install this heater in a mobile home or trailer.
3. Always connect this heater to a chimney and vent to the outside. Never vent to another room or inside a building. **DO NOT CONNECT THIS UNIT TO A CHIMNEY FLUE SERVING ANOTHER APPLIANCE.**
4. Do not connect a wood burning heater to a Type B gas vent. This is not safe and is prohibited by the National Fire Protection Association Code. This heater requires approved masonry or UL, ULC Listed Residential Type and Building Heating Appliance Chimney. Use a 6" diameter chimney, or larger, that is high enough to give a good draft.
5. Be sure that your chimney is safely constructed and in good repair. Have the chimney inspected by the Fire Department or a qualified inspector. Your insurance company may be able to recommend a qualified inspector.
6. Inspect chimney connector and chimney twice monthly during the heating season for any deposit of creosote or soot which must be removed (see the "Woodstove Utilization" section of this manual).
7. Provide air for combustion from outside the house into the room where the heater is located. If the intake is not in the same room, air must have free access into the room.
8. To prevent injury, do not allow anyone to use this heater who is unfamiliar with the correct operation of the heater.
9. For further information on using your heater safely, obtain a copy of the National Fire Protection Association (NFPA) publication "Using Coal and Wood Stoves Safely" NFPA No. HS-10-1978. The address of the NFPA is Batterymarch Park, MA 02269.
 - For more information on a Canadian Installation, obtain a copy of CAN/CSA-B365-M91 Installation Code for Solid-Fuel-Burning Appliances and Equipment.
10. **CAUTION** - The special paints used on your heater may give off some smoke while they are curing during the first few fires. Build small fires at first. Children and people/animals with lung problems should take caution during the curing process.
11. **CARING FOR PAINTED PARTS** - This heater has a painted jacket which is durable but it will not stand rough handling or abuse. When installing your heater, use care in handling. Clean with soap and warm water when heater is not hot. **DO NOT** use any acids or scouring soap, as these wear and dull the finish. **PAINT DISCOLORATION WILL OCCUR IF THE HEATER IS OVERFIRED. FOLLOW OPERATING INSTRUCTIONS CAREFULLY.**
12. All persons, especially children, should be alerted to hazards from high surface temperatures and kept away while in operation. Small children should not be left unsupervised when in the room with the heater.
13. Keep the area adjacent to the heater free from all combustible materials, gasoline, and other flammable vapors.
14. This heater should not be used as a primary source of heat.
15. **CAUTION DO NOT CONNECT TO OR USE IN CONJUNCTION WITH ANY AIR DISTRIBUTION DUCTWORK**

CAUTION! Do not touch the heater until it has cooled.

NOTE: FOR YOUR SAFETY, WE RECOMMEND INSTALLING SMOKE DETECTORS IN YOUR HOME IF NOT ALREADY INSTALLED.

Assembly Instructions

Remove the following items located inside the firebox of this stove:

	Description	Qty
	Hearth	1
	Bottom Channel	1
	Flue Collar	1
	Legs	4
	Handle Assembly	1
	Door Assembly	1

REQUIRED TOOLS AND MATERIALS

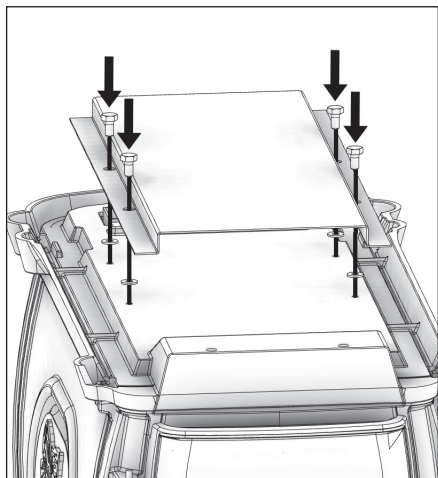
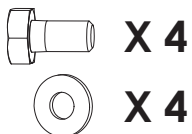
Note: the following items are not included with your stove

- Safety Glasses
- 1/8" dia. Drill Bit
- 1/2" Sheet Metal Screws
- Hearth Gloves
- Adjustable Wrench
- Chimney
- Pencil
- 6' Folding Ruler or Tape Measure
- #2 philips screw driver
- Furnace Cement
- Tin Snips
- Chimney Connector
- Flooring protector as specified

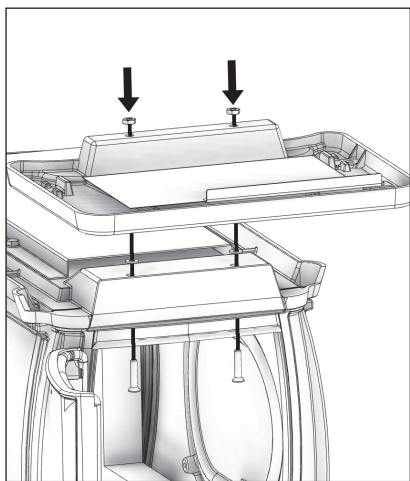
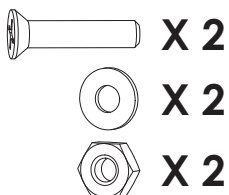
NOTICE: United States Stove Company grants no warranty, stated or implied, for the installation or maintenance of your wood stove and assumes no responsibility of any incidental or consequential damages.

CAUTION: Stove is heavy. Make sure you have adequate help and use proper lifting techniques whenever moving stove.

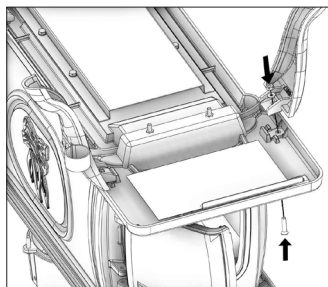
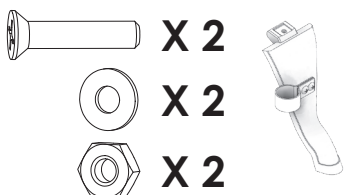
1. Uncrate the stove and remove packing materials and protective poly bag (save cardboard box for further assembly).
2. Remove parts from inside of the stove.
3. Place flattened carton on the floor and carefully turn stove over onto carton.
4. Attach the bottom air channel with four (4) 1/4-20 X 3/8" screw, and four (4) washers.



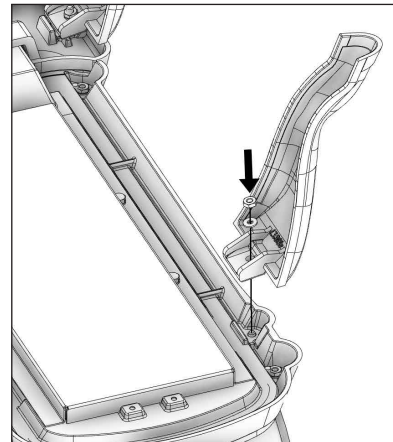
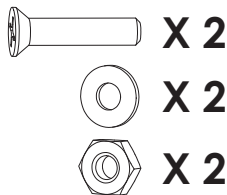
5. Attach the hearth to the bottom of stove using two (2) 1/4-20 x 1-3/16 screws, two (2) washers, and two (2) 1/4-20 jam nuts.



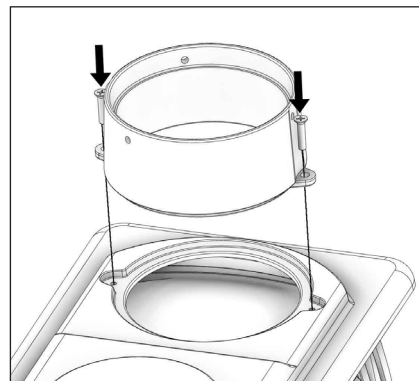
6. Attach the front legs to the hearth with two (2) 1/4-20 x 1-3/4 screws, two (2) washers, and two (2) 1/4-20 jam nuts. NOTE: Only one leg is equipped with a handle bracket. This bracketed leg is designed to be installed at the front right side of the unit.



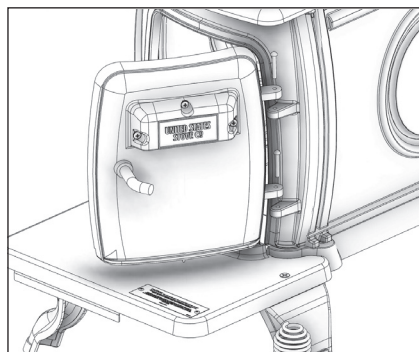
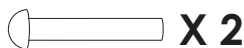
7. Attach the rear legs to the base of the stove with two (2) 1/4-20 x 1-3/4 screws, two (2) washers, and two (2) 1/4-20 jam nuts.



8. Carefully lift the stove upright and place in the desired location. Align the holes on the flue collar to the holes on the stove and attach using (2) two 1/4-20 X 1-3/4 screws.



9. Lower the feed door into position while aligning hinge pins.

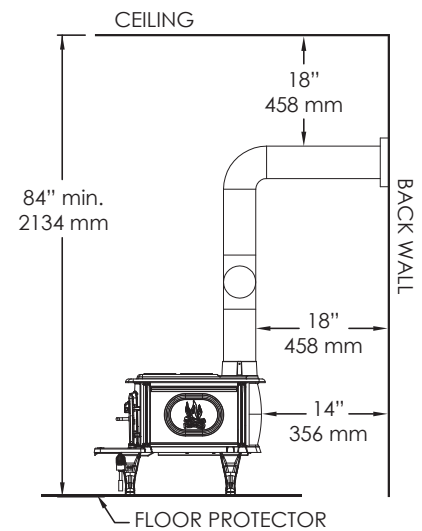
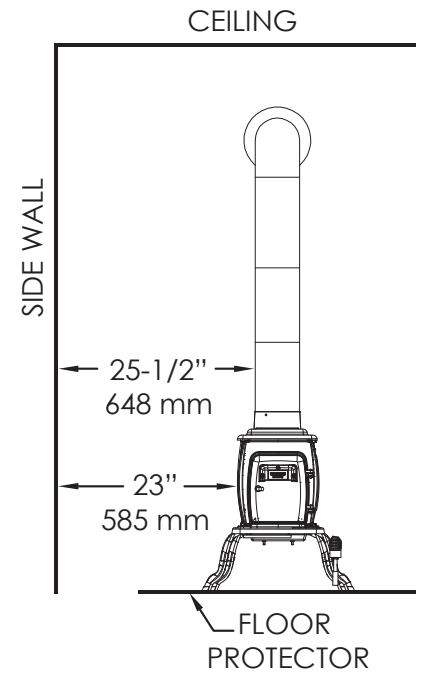


Installation

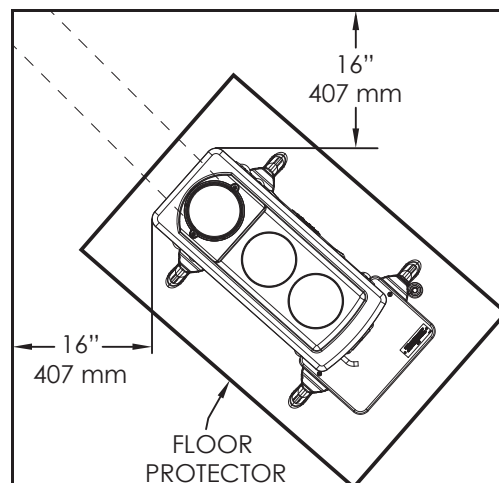
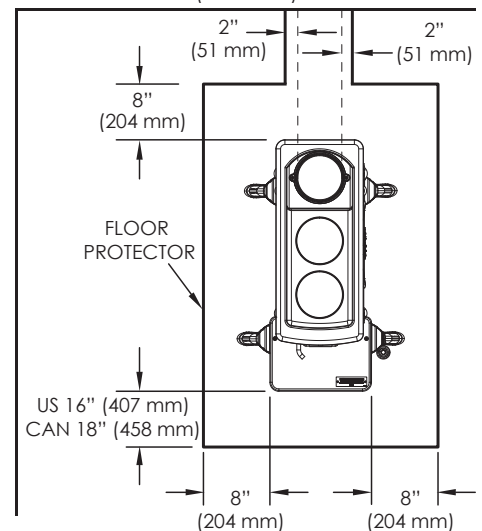
MINIMUM CLEARANCE TO COMBUSTIBLE WALLS US, CANADA

Take into account the chimney's location to insure it is not too close to neighbors or in a valley which may cause unhealthy or nuisance conditions. Heater/Floor Protector Location (Dimensions are required for non-protected surfaces, see the chart for dimensions for protected surfaces). Place the heater on solid masonry or solid concrete. When the heater is used on a combustible floor, use an Underwriters Listed floor protector. The floor protector must comply with UL Standards (USA) and CAN/ULC (Canada) and have an R-value of 2.06. The floor protector needs to extend at least 16" (Canada requires 18") beyond the door side of the heater and 8" to each side. It should also extend 8" beyond the rear for Canada. The floor protector needs to extend 2" beyond each side of the flue pipe if it is elbowed towards a wall as well as 2" on each side of the flue for horizontal runs.

1. After consulting the installation instructions for minimum clearances to combustibles, locate the floor protector accordingly and carefully place the stove in the selected location. Install stovepipe, elbows, and thimble as necessary, utilizing either a recently cleaned and inspected masonry chimney (properly lined) or a UL, ULC Listed chimney. Ensure that the fixed flue baffle that is provided is installed in the flue collar. This baffle is intended to be in a fixed location for optimal combustion. Do not remove or alter the location of this baffle. It is against federal regulations and will void the warranty.
2. Again, check the following illustrations and be sure to have the clearances shown from the heater and the connector pipe to combustibles surfaces. If there is a solid brick or stone wall behind the heater, please consult the local building code for specific regulations that may apply in the area. However, if the wall is only faced with brick or stone, consider it a combustible wall. To reduce flue clearances from combustible materials, contact the local safety department.
3. If the chimney drafts excessively, purchase and use a Barometric Draft Regulator (DR6 available from factory).
4. The chimney connection should be as short as possible, and the heater must have its own flue. **DO NOT CONNECT THIS UNIT TO A CHIMNEY FLUE SERVING OTHER APPLIANCES.**
5. Use three sheet metal screws in each stove pipe and or elbow joint to firmly hold the pipe together. Seal around the screws
6. Do not install this heater in a mobile home or trailer.
7. Check local building and insurance codes. The installation must comply with their rulings.



Non-combustible construction in accordance with NFPA 211 (USA) or CAN/CSA B365-M91 (CANADA)



CAUTION! Keep furnishings and other combustible materials away from the heater.

Chimney Connection

MASONRY CHIMNEY

The masonry chimney must be code approved and have a flue liner. The masonry chimney must comply with UL, ULC codes. Before using an existing masonry chimney, clean the chimney and inspect the flue liner to be sure it is safe to use. Make repairs before attaching the heater. The connector pipe and fittings you will need to connect directly to a masonry chimney are shown. If the connector pipe must go through a combustible wall before entering the masonry chimney, consult a qualified mason or chimney dealer. The installation must conform to local fire codes, and NFPA 211(USA) or CAN/CSA-B365-M91 (Canada). Do not connect this heater into the same chimney flue as the fireplace or flue from another heater. The chimney used for a heater must not be used to ventilate the cellar or basement. If there is a cleanout opening at the base of the chimney, close it tightly.

UL/ULC LISTED CHIMNEY

Carefully follow the chimney manufacturer's instructions. Use only listed type HT per UL 103, ULC, 6-in diameter black or blued chimney connector, minimum 24 gauge steel. If your chimney starts at the ceiling, you will need enough 6" pipe to reach the ceiling. The top of the chimney must be at least 3 feet above the roof and be at least 2 feet higher than any point of the roof within 10 feet. Use double or triple wall pipe for the exterior portion of the chimney.

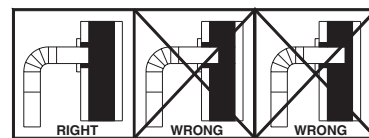
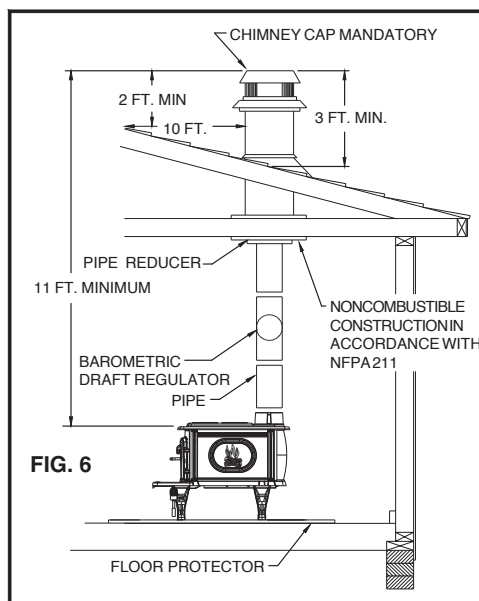
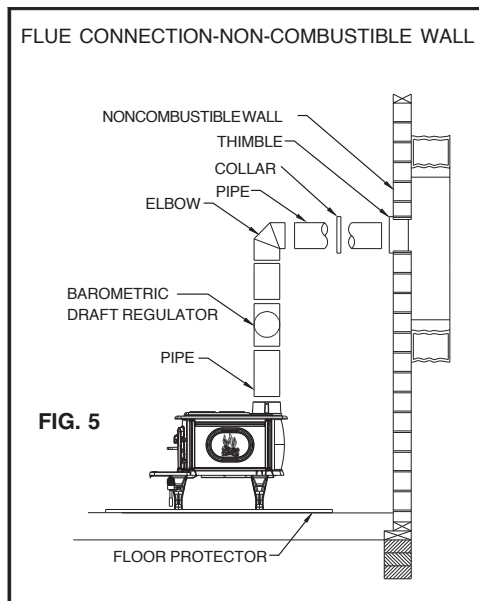
RULES FOR CONNECTOR PIPE INSTALLATION

1. The crimped end of the pipe must be installed toward the heater. The pipe should slide into the flue collar. The pipe should be firmly attached to the flue collar with 3 screws and sealed with furnace cement.
2. Slope any horizontal pipe upward toward the chimney at least 1/4" for each foot of horizontal run. The horizontal section must be a minimum of 24" from the stove.
3. You must have at least 18" inches clearance between any horizontal piping and the ceiling.
4. The pipe cannot extend into the chimney flue.
5. Seal each connector pipe joint with furnace cement. Also, seal the pipe at the chimney. Seal the inside with high-temperature silicone and the outside with high-temperature tape.
6. Use 3 sheet metal screws at each joint to make the piping rigid.
7. It is recommended that no more than two (2) 90-degree bends be used in the stove pipe installation as more than two (2) may decrease the amount of draw and possibly cause smoke spillage.

NOTE: The chimney connector shall not pass through an attic, roof space, floor, ceiling, or similar concealed space. Where passage through a wall or partition of combustible construction is desired, the installation must conform with CAN/CSA - B365.

IMPORTANCE OF PROPER DRAFT

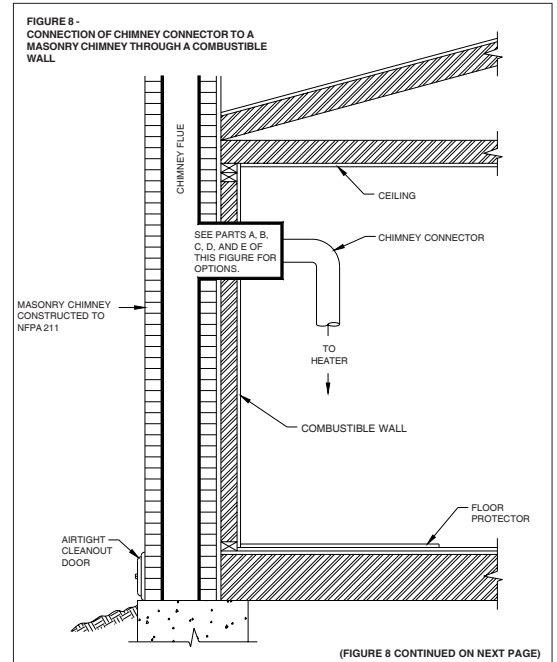
Draft is the force which moves air from the appliance up through the chimney. The amount of draft in your chimney depends on the length of the chimney, local geography, nearby obstructions and other factors. Too much draft may cause excessive temperatures in the appliance and may damage the catalytic combustor (if equipped). Inadequate draft may cause backpuffing into the room and 'plugging' of the chimney or the catalyst (if equipped). Inadequate draft will cause the appliance to leak smoke into the room through appliance and chimney connector joints. An uncontrollable burn or excessive temperature indicates excessive draft.



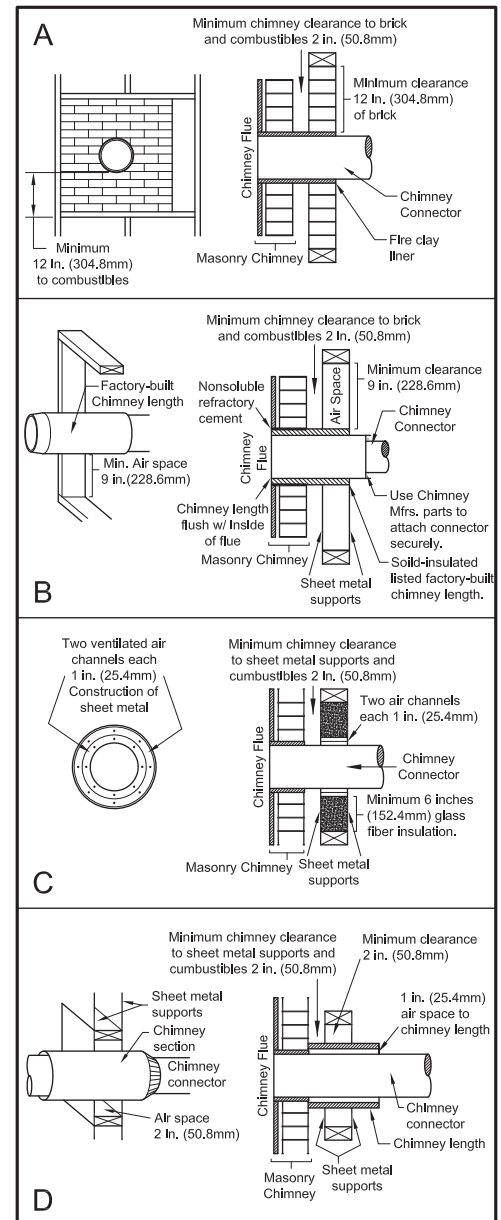
CONNECTION OF CHIMNEY CONNECTOR TO A MASONRY CHIMNEY THROUGH A COMBUSTIBLE WALL

Figure 8 shows how to connect the chimney connector of a heater to a masonry chimney through a combustible wall. There are five allowable ways that a chimney connector can be connected to a masonry chimney by passing through a combustible wall. NFPA Standard 211 allows the following wall pass-through systems.

1. Use a minimum 3-1/2" thick brick masonry wall framed into the combustible wall. A fireclay liner (ASTM C315 or equivalent) having a 5/8" minimum wall thickness must be used and it must be at least 12" away from any material that could catch fire. The inside diameter of the fireclay liner shall be sized for the proper snug fit of a 6" diameter chimney connector pipe. The fireclay liner shall run from the outer surface of the brick wall to, but not beyond, the inner surface of the chimney flue and shall be firmly cemented in place (see Part A).
2. Use a solid insulated listed factory-built chimney length having an inside diameter of 6" and 1" or more of solid insulation. There must be at least a 9" air space between the outer wall of the chimney length and any combustible materials. The inner end of the chimney length shall be flush with the inside of the masonry chimney, the flue shall be sealed to the flue and to the brick masonry penetration with non-water-soluble refractory cement. Sheet steel supports which are at least 24 gauge (0.024") in thickness shall be securely fastened to wall surfaces on all sides. Fasteners between supports and the chimney length shall not penetrate the chimney liner (see Part B).
3. Use a 10" diameter ventilated thimble made of at least 24 gauge (0.024") steel having two 1" air channels. The ventilated thimble must be separated from combustible materials by a minimum of 6" glass fiber insulation. The opening in the combustible wall shall be covered and the thimble supported with sheet steel supports which are at least 24 gauge (0.024") in thickness. The sheet steel supports shall be securely fastened to wall surfaces on all sides and shall be sized to fit and hold the chimney section. Fasteners used to secure chimney sections shall not penetrate chimney flue liner (see Part C).
4. Use an 8" inside diameter solid insulated listed factory-built chimney length which has 1" or more of solid insulation. The minimum length of this chimney section shall be 12" and will serve as a pass-through for the 6" diameter chimney connector. There must be at least a 12" air space between the outer wall of the chimney section and any combustible materials. The chimney section shall be concentric with and spaced 1" away from the chimney connector by means of sheet steel support plates on both ends of the chimney section. The opening in the combustible wall shall be covered and the chimney section supported on both sides with sheet steel supports which are at least 24 gauge (0.024") in thickness. The sheet steel supports shall be securely fastened to wall surfaces on all sides and shall be sized to fit and hold the chimney section. Fasteners used to secure chimney sections shall not penetrate chimney flue liner (see Part C).
5. A listed factory-built wall pass-through system may be purchased and installed according to the instructions packaged with it to provide a safe method of passing the chimney connector through a combustible wall for connection to a masonry chimney.



(FIGURE 8 CONTINUED ON NEXT PAGE)



ADDITIONAL REQUIREMENTS PERTAINING TO FIGURE 8 AND THE ABOVE WALL PASS-THROUGH SYSTEMS

1. Insulation material used as part of wall pass-through system shall be of noncombustible material and shall have a thermal conductivity of 1.0 Btu • in./ft.² • °F (4.88 kg • cal/hr • m² • °C) or less
2. All clearances and thicknesses are minimums: larger clearances and thickness are acceptable.
3. A chimney thimble, as shown for 3" and 4" above (Parts C and D respectively of Figure 8) shall be for types "3" and 4" connections to facilitate removal of the chimney connector for cleaning. The chimney thimble shall be of ASTM C315 fireclay with 5/8" minimum wall thickness, or material of equivalent durability. The inside diameter of the thimble shall be sized for the proper snug fit of a 6" diameter chimney connector pipe. The thimble shall be installed without damage to the chimney flue. The thimble shall extend through the chimney wall to, but not beyond, the inner surface of the chimney flue and shall be permanently cemented in place with high temperature cement.
4. A chimney connector to a masonry chimney, except for 2" above (Part B of Figure 8), shall extend through the wall pass-through system to the inner face of the chimney flue, but not beyond. It does not have to be fastened in place so long as it cannot accidentally be pulled out of the chimney or shoved into the chimney flue. If fasteners are used to secure the chimney connector to a masonry chimney, the fasteners shall not penetrate the chimney flue liner.
5. Any material used to close up any opening for the connector shall be noncombustible.

PART E

In addition to the methods shown by A, B, C, and D of Figure 8, a listed factory-built wall pass-through system may be purchased and installed according to the instructions packaged with it to provide a safe method of passing chimney connector through a combustible wall for a connection to a masonry chimney.

CONNECTION OF CHIMNEY CONNECTOR TO A MASONRY CHIMNEY WHEN CHIMNEY CONNECTOR DOES NOT PASS THROUGH A COMBUSTIBLE WALL

If the chimney connector does not have to pass through a combustible wall to get to a masonry chimney, simply connect the chimney connector directly to the masonry chimney's chimney thimble as described and shown by parts C and D. Remember, the chimney connector should extend into the chimney thimble to the inner face of the chimney flue but not beyond; if the chimney connector is extended through the chimney thimble into the chimney flue, resistance to the flow of smoke and gases up the chimney will occur; that flow resistance will have an adverse affect on the operation and performance of the heater and venting system.

CAUTION! USE WOOD OR WOOD-LIKE MATERIALS ONLY. DO NOT USE COAL OR CHARCOAL. COAL OR CHARCOAL WILL DESTROY THE FIREBOX. DO NOT USE DRIED LUMBER OR TREATED WOOD.

WARNING! NEVER STORE FLAMMABLE LIQUIDS, ESPECIALLY GASOLINE. IN THE VICINITY OF THE HEATER.

CAUTION! OVERFIRING THE APPLIANCE MAY CAUSE A HOUSE FIRE. IF A UNIT OR CHIMNEY CONNECTOR GLOWS, YOU ARE OVERFIRING.

WARNING! DO NOT OBSTRUCT THE SPACE BENEATH THE HEATER

CAUTION! NEVER USE GASOLINE, GASOLINE-TYPE LANTERN FUEL, KEROSENE, CHARCOAL LIGHTER FLUID, OR SIMILAR LIQUIDS TO START OR "FRESHEN UP" A FIRE IN THE HEATER. KEEP ALL SUCH LIQUIDS WELL AWAY FROM THE HEATER WHILE IT IS IN USE.

WARNING! NEVER OPERATE THIS HEATER WITH THE FUEL DOOR OPEN.

NOTE: DO NOT ELEVATE FIRE OR USE WITH A GRATE, BUILD FIRE DIRECTLY ON THE HEARTH.

WARNING! USE ONLY THE LEGS PROVIDED WITH THIS HEATER. REFER TO THE "INSTALLATION" SECTION OF THIS MANUAL.

CAUTION HOT WHILE IN OPERATION. KEEP CHILDREN, CLOTHING AND FURNITURE AWAY. CONTACT MAY CAUSE SKIN BURNS

CAUTION DO NOT BURN GARBAGE OR FLAMMABLE FLUIDS SUCH AS GASOLINE, NAPHTHA OR ENGINE OIL

SERVICE HINTS

Do not expect a heater to draw. It is the chimney that creates the draft. Smoke spillage into the house or excessive buildup of water or creosote in the chimney are warnings that the chimney is not functioning properly. Correct problem before using heater. Possible causes are:

1. The connector pipe may push into the chimney too far, stopping the draft.
2. Do not connect two heaters into the same chimney flue.
3. The chimney used for a heater must not be used to ventilate the cellar or basement. If there is a cleanout opening at the base of the chimney, it must be closed tightly.
4. If the chimney is operating too cool, water will condense in the chimney and run back into the stove. Creosote formation will be rapid and may block the chimney. Operate the heater at a high enough fire to keep the chimney warm preventing this condensation.
5. If the fire burns well but sometimes smokes or burns slowly, it may be caused by the chimney top being lower than another part of the house or a nearby tree. The wind blowing over a house or tree, falls on top of the chimney like water over a dam, beating down the smoke. The top of the chimney should be at least 3 feet above the roof and be at least 2 feet higher than any point of the roof within 10 feet.

CAUTION: A chimney fire may cause ignition of wall studs or rafters which you thought were a safe distance from the chimney. If you have a chimney fire, have your chimney inspected by a qualified person before using again.

Woodstove Utilization

Your heating unit was designed to burn wood only; no other materials should be burned. Waste and other flammable materials should not be burned in your stove. Higher efficiencies and lower emissions generally result when burning air dried seasoned hardwoods, as compared to softwoods or to green or freshly cut hardwoods. Burning the following materials may result in release of toxic fumes or render the heater ineffective and cause smoke.

DO NOT BURN:

1. Residential or commercial garbage;
2. Lawn clippings or yard waste;
3. Materials containing rubber, including tires;
4. Materials containing plastic;
5. Waste petroleum products, paints or paint thinners, or asphalt products;
6. Materials containing asbestos;
7. Construction or demolition debris;
8. Paper products, cardboard, plywood, or particleboard. The prohibition against burning these materials does not prohibit the use of fire starters made from paper, cardboard, sawdust, wax, and similar substances for the purpose of starting a fire in the unaffected wood heater.
9. Railroad ties or pressure-treated wood;
10. Manure or animal remains;
11. Saltwater driftwood or other previously salt water-saturated materials;
12. Unseasoned wood;
13. Any materials that are not included in the warranty and owner's manual for the subject wood heater; or
14. Any materials that were not included in the certification tests for the subject wood heater.

Do not burn manufactured logs made of wax impregnated sawdust or logs with any chemical additives. Manufactured logs made of 100% compressed sawdust can be burned, but be careful burning too much of these logs at the same time. Start with one manufactured log and see how the stove reacts. You can increase the number of logs burned at a time making sure the temperature never rises higher than 475 °F (246 °C) on a magnetic thermometer for installation on single wall stove pipes or 900 °F (482 °C). The thermometer should be placed about 18" (457 mm) above the stove. Higher temperatures can lead to overheat and damage your stove. Dead wood lying on the forest floor should be considered wet and requires full seasoning time. Standing deadwood can usually be considered to be about 2/3 seasoned. Splitting and stacking wood before it is stored accelerates the drying time. Storing wood on an elevated surface from the ground and under a cover or covered area from rain or snow also accelerates drying time. A good indicator if the wood is ready to burn is to check the piece ends. If cracks are radiating in all directions from the center then the wood should be dry enough to burn. If your wood sizzles in the fire, even though the surface is dry, it may not be fully cured and should be seasoned longer.



Any type of wood may be used in your stove, but specific varieties have better energy yields than others. Please consult the following table in order to make the best possible choice.

TYPE	WEIGHT (LBS. CU. FT., DRY)	PER CORD	EFFICIENCY RANKING	SPLITS	MILLIONS BTU's/CORD
Hickory	63	4500	1.0	Well	31.5
White Oak	48	4100	.9	Fair	28.6
Red Oak	46	3900	.8	Fair	27.4
Beech	45	3800	.7	Hard	26.8
Sugar Maple	44	3700	.6	Fair	26.2
Black Oak	43	3700	.6	Fair	25.6
Ash	42	3600	.5	Well	25.0
Yellow Birch	40	3400	.4	Hard	23.8
Red Maple	38	3200	.3	Fair	22.6
Paper Birch	37	3100	.3	Easy	22.1
Elm/Sycamore	34	2900	.2	Very Difficult	20.1
Red Spruce	29	1800	.1	Easy	16.1

It is EXTREMELY IMPORTANT that you use DRY WOOD only in your wood stove. The wood should have dried for 9 to 15 months, such that the humidity content (in weight) is reduced below 20% of the weight of the log. It is very important to keep in mind that even if the wood has been cut for one, two or even more years, it is not necessarily dry if it has been stored in poor conditions. Under extreme conditions, it may rot, instead of drying. This point cannot be overstressed; the vast majority of the problems related to the operation of a wood stove is caused by the fact that the wood used was too damp or has dried in poor conditions. These problems can be:

- ignition problems
- creosote build-up causing chimney fires
- low energy yield
- blackened windows
- incomplete log combustion

Smaller pieces of wood will dry faster. All logs exceeding 6" in diameter should be split. The wood should not be stored directly on the ground. Air should circulate through the cord. A 24" to 48" air space should be left between each row of logs, which should be placed in the sunniest location possible. The upper layer of wood should be protected from the elements but not the sides.

TESTING THE WOOD

- When the stove is thoroughly warmed, place one piece of split wood (about five inches in diameter) parallel to the door on the bed of red embers.
- Keep the air control fully open by pulling on it and close the door. If the ignition of the piece is accomplished within 90 seconds from the time it was placed inside the stove, the wood is correctly dried. If ignition takes longer, the wood is damp.
- If the wood hisses and water or vapor escapes at the ends of the piece, the wood is soaked or freshly cut. Do not use this wood in the stove. Large amounts of creosote could be deposited in the chimney, creating potential conditions for a chimney fire.

TAMPER WARNING

This wood heater has a manufacturer-set minimum low burn rate that must not be altered. It is against federal regulations to alter this setting or otherwise operate this wood heater in a manner inconsistent with operating instructions in this manual.

THE FIRST FIRES

The fresh paint on this stove needs to be cured to preserve its quality. Once the fuel charge is properly ignited, only burn small fires in the stove for the first four hours of operation. Make sure that there's enough air circulation while curing the stove. The odors could be smelled during the 3 or 4 first fires. Never start your stove outside. A person will not be able to see if the unit is overheating.

CAUTION: Never alter the damper slide or the adjustment range to increase firing for any reason. Doing so could result in heater damage and will void your warranty.

VISIBLE SMOKE

Visible smoke is basically unburned fuel and moisture leaving your stove. The amount of visible smoke being produced can be an effective method of determining how efficiently the combustion process is taking place at the given settings. Learn to adjust the air settings of your specific unit to produce the smallest amount of visible smoke. Remember that wood that has not been seasoned properly and has a high wood moisture content will produce excess visible smoke and burn poorly.

OPERATION OF THE HEATER

1. Burn wood or wood products only. The wood should be well seasons prior to use for maximum efficiency.
2. Provide air into the room for combustion.
3. Do Not touch the heater after firing until it has cooled.

Do Not use a grate or elevate fire, build fire directly on the hearth. The fuel feed door must remain closed during operation.

EFFICIENCY

Efficiencies can be based on either the lower heating value (LHV) or the higher heating value (HHV) of the fuel. The lower heating value is when water leaves the combustion process as a vapor, in the case of woodstoves the moisture in the wood being burned leaves the stove as a vapor. The higher heating value is when water leaves the combustion process completely condensed. In the case of woodstoves this would assume the exhaust gases are room temperature when leaving the system, and therefore calculations using this heating value consider the heat going up the chimney as lost energy. Therefore, efficiency calculated using the lower heating value of wood will be higher than efficiency calculated using the higher heating value. In the United States all woodstove efficiencies should be calculated using the higher heating value.

As an operator of a wood heater the best way to achieve optimum efficiencies is to learn the burn characteristic of the appliance and burn well-seasoned wood. A good rule of thumb is that if the heater is not producing, or producing very little visible smoke it is burning efficiently. Also remember that higher burn rates are not always the best heating burn rates; after a good fire is established a lower burn rate may be a better option for efficient heating. A lower burn rate slows the flow of usable heat out of the home through the chimney, and it also consumes less wood.

BUILDING A FIRE

The top down method of fire building is recommended for this appliance. Place the largest pieces of wood on the bottom, laid in parallel and close together. Smaller pieces are placed in a second layer, crossways to the first. A third layer of still smaller pieces is laid crossways to the second, this time with some spaces between. Then a fourth layer of loose, small kindling and twisted newspaper sheets tops off the pile.

OPERATIONAL TIPS FOR GOOD, EFFICIENT, AND CLEAN COMBUSTION

- Use smaller pieces of wood during start-up and a high burn rate to increase the stove temperature
- Be considerate of the environment and only burn dry wood
- Burn small, intense fires instead of large, slow burning fires when possible
- Learn your appliance's operating characteristics to obtain optimum performance
- Burning unseasoned wet wood only hurts your stoves efficiency and leads to accelerated creosote buildup in your chimney

WARNINGS:

- NEVER OVERFIRE YOUR STOVE. IF ANY PART OF THE STOVE STARTS TO GLOW RED, OVER FIRING IS HAPPENING.
- THE INSTALLATION OF A LOG CRADLE OR GRATES IS NOT RECOMMENDED IN YOUR WOOD STOVE BUILD FIRE DIRECTLY ON HEARTH.
- ATTEMPTS TO ACHIEVE HEAT OUTPUT RATES THAT EXCEED HEATER DESIGN SPECIFICATIONS CAN RESULT IN PERMANENT DAMAGE TO THE HEATER AND TO THE CATALYTIC COMBUSTOR IF SO EQUIPPED.

RELOADING

Once a good bed of embers has been obtained, the unit should be reloaded. Open the door very slowly; open it one or two inches for 5 to 10 seconds, before opening it completely to increase the draft and thus eliminate the smoke which is stagnant in a state of slow combustion in the stove. Then bring the red embers to the front of the stove and reload the unit. It is important to note that wood combustion consumes ambient oxygen in the room. In the case of negative pressure, it is a good idea to allow fresh air in the room, either by opening a window slightly or by installing a fresh air intake system on an outside wall.

CREOSOTE - FORMATION AND NEED FOR REMOVAL

When wood is burned slowly, it produces tar and other organic vapors, which combine with expelled moisture to form creosote. The creosote vapors condense in the relatively cool chimney flue of a slow-burning fire. As a result, creosote residue accumulates on the flue lining. When ignited, this creosote makes an extremely hot fire. The chimney connector and chimney should be inspected at least once every two months during the heating season to determine if a creosote build-up has occurred. If creosote has accumulated (3mm or more), it should be removed to reduce the risk of a chimney fire. We strongly recommend that a magnetic thermometer be installed on the smoke exhaust pipe, approximately 18" above the stove. This thermometer will indicate the temperature of the gas exhaust fumes within the smoke exhaust system. The ideal temperature for these gases is somewhere between 275°F and 500°F. Below these temperatures, the build-up of creosote is promoted. Above 500°, heat is wasted since a too large quantity is lost into the atmosphere. Failure to remove creosote may cause a house fire. Creosote may be removed by using a chimney brush or other commonly available materials. Chimney fires burn very hot. If the chimney connector should glow red, immediately call the fire department, then reduce the fire by blocking/closing the inlet air. Since this is a single burn rate heater a non-combustible material should be used to block inlet air openings. If the fire is burning vigorously, spray a multipurpose dry chemical extinguisher onto the fire in the stove if it can be done safely. Avoid introducing water into the chimney if possible as water could damage the heated flue liner.

ASH REMOVAL AND DISPOSAL

Whenever ashes get 3 to 4 inches deep in the firebox or ash pan, and when the fire has burned down and cooled, remove excess ashes. Leave an ash bed approximately 1 inch deep on the firebox bottom to help maintain a hot charcoal bed. Ashes should be placed in a metal container with a tight-fitting lid. The closed container of ashes should be placed on a noncombustible floor or on the ground, away from all combustible materials, pending final disposal. The ashes should be retained in the closed container until all cinders have thoroughly cooled.

CAUTIONS: ASHES COULD CONTAIN HOT EMBERS EVEN AFTER TWO DAYS WITHOUT OPERATING THE STOVE.

SMOKE AND CO MONITORS

Burning wood naturally produces smoke and carbon monoxide(CO) emissions. CO is a poisonous gas when exposed to elevated concentrations for extended periods of time. While the modern combustion systems in heaters drastically reduce the amount of CO emitted out the chimney, exposure to the gases in closed or confined areas can be dangerous. Also make sure you stove gaskets and chimney joints are in good working order and sealing properly to ensure unintended exposure. It is recommended that you use both smoke and CO monitors in areas expected to or having the potential to generate CO.

TO PREVENT CREOSOTE BUILD UP

- Always burn dry wood. This allows clean burns and higher chimney temperatures, therefore, less creosote deposit.
- The secondary combustion can only take place if the firebox is hot enough.
- Always check for creosote deposit once every two months and have your chimney cleaned at least once a year.

If a chimney or creosote fire occurs, close all dampers (if applicable) immediately. Wait for the fire to go out and the heater to cool, then inspect the chimney for damage. If no damage results, perform a chimney cleaning to ensure there is no more creosote deposits remaining in the chimney.

Maintenance

Your wood stove is a high efficiency stove and, therefore requires little maintenance. It is important to perform a visual inspection of the stove every time it is emptied, in order to ensure that no parts have been damaged, in which case repairs must be performed immediately. Inspect and clean the chimney and connector pipe periodically for creosote buildup or obstructions.

GASKETING

This door uses a 3/8" rope gasket. It is recommended that you change the door gasket (which makes your stove door air tight) once a year, in order to ensure good control over the combustion, maximum efficiency, and security. To change the door gasket, simply remove the damaged one. Carefully clean the available gasket groove, apply a high temperature silicone sold for this purpose and install the new gasket. You may light up your stove again approximately 24 hours after having completed this operation.

WARNING:

NEVER OPERATE THE STOVE WITHOUT A GASKET OR WITH A BROKEN ONE. DAMAGE TO THE STOVE OR EVEN HOUSE FIRE MAY RESULT.

AIR TUBES

The air tubes assembled in this unit are designed to provide an accurate mix of secondary air to ensure the highest efficiency. Any damage or deterioration of these tubes may reduce the efficiency of combustion. The air tubes are held in position by either screws or snap pins. Locate these to either side of the tube and remove to allow the tube to be removed and replaced.

SECONDARY AIR TUBES

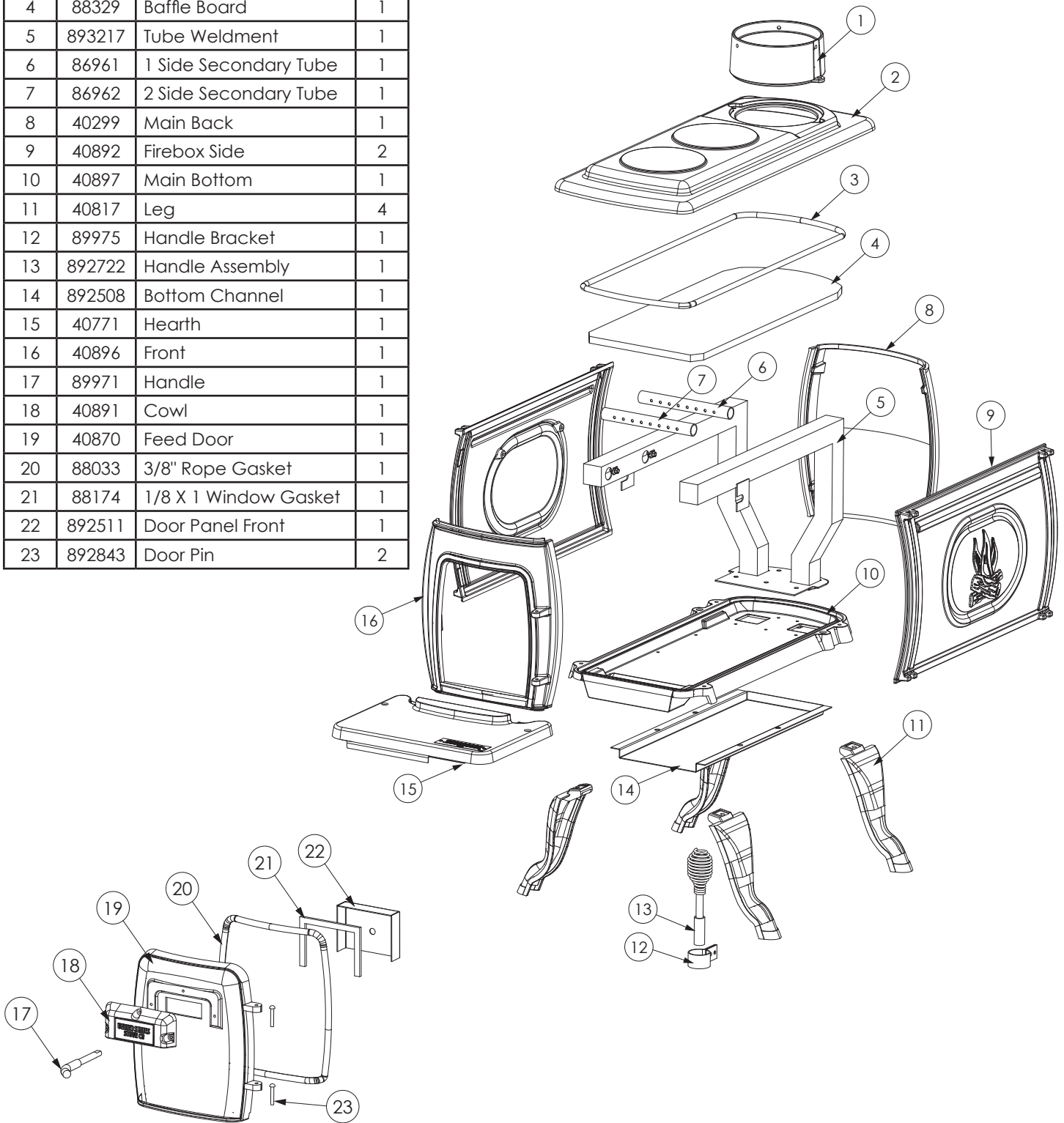
The secondary air tubes must be cleaned with a wire brush. If debris remains in holes lightly tap with a wooden stick to remove.

PAINT

Only clean your stove with a dry soft cloth that will not harm the paint finish. If the paint becomes scratched or damaged, it is possible to give your wood stove a brand new look, by repainting it with a 1200° F heat resistant paint. For this purpose, simply scrub the surface to be repainted with fine sand paper, clean it properly, and apply thin coats (2) of paint successively.

Parts List

Key	Part #	Description	Qty																
1	40809	Flue Collar	1																
2	40774	Main Top	1																
3	88033	3/8" Rope Joint Top	1																
4	88329	Baffle Board	1																
5	893217	Tube Weldment	1																
6	86961	1 Side Secondary Tube	1																
7	86962	2 Side Secondary Tube	1																
8	40299	Main Back	1																
9	40892	Firebox Side	2																
10	40897	Main Bottom	1																
11	40817	Leg	4																
12	89975	Handle Bracket	1																
13	892722	Handle Assembly	1																
14	892508	Bottom Channel	1																
15	40771	Hearth	1																
16	40896	Front	1																
17	89971	Handle	1																
18	40891	Cowl	1																
19	40870	Feed Door	1 </tr <tr> <td>20</td> <td>88033</td> <td>3/8" Rope Gasket</td> <td>1</td> </tr> <tr> <td>21</td> <td>88174</td> <td>1/8 X 1 Window Gasket</td> <td>1</td> </tr> <tr> <td>22</td> <td>892511</td> <td>Door Panel Front</td> <td>1</td> </tr> <tr> <td>23</td> <td>892843</td> <td>Door Pin</td> <td>2</td> </tr>	20	88033	3/8" Rope Gasket	1	21	88174	1/8 X 1 Window Gasket	1	22	892511	Door Panel Front	1	23	892843	Door Pin	2
20	88033	3/8" Rope Gasket	1																
21	88174	1/8 X 1 Window Gasket	1																
22	892511	Door Panel Front	1																
23	892843	Door Pin	2																



In order to maintain warranty, components must be replaced using original manufacturers parts purchased through your dealer or directly from the appliance manufacturer. Use of third party components will void the warranty.

Notes

Service Record

It is recommended that your heating system is serviced regularly and that the appropriate Service Interval Record is completed.

SERVICE PROVIDER

Before completing the appropriate Service Record below, please ensure you have carried out the service as described in the manufacturer's instructions. Always use the manufacturer's specified spare part when replacement is necessary.

Service 01	Date: _____
Engineer Name: _____	
License No.: _____	
Company: _____	
Telephone No.: _____	
Stove Inspected: <input type="checkbox"/>	Chimney Swept: <input type="checkbox"/>
Items Replaced: _____	

Service 02	Date: _____
Engineer Name: _____	
License No.: _____	
Company: _____	
Telephone No.: _____	
Stove Inspected: <input type="checkbox"/>	Chimney Swept: <input type="checkbox"/>
Items Replaced: _____	

Service 03	Date: _____
Engineer Name: _____	
License No.: _____	
Company: _____	
Telephone No.: _____	
Stove Inspected: <input type="checkbox"/>	Chimney Swept: <input type="checkbox"/>
Items Replaced: _____	

Service 04	Date: _____
Engineer Name: _____	
License No.: _____	
Company: _____	
Telephone No.: _____	
Stove Inspected: <input type="checkbox"/>	Chimney Swept: <input type="checkbox"/>
Items Replaced: _____	

Service 05	Date: _____
Engineer Name: _____	
License No.: _____	
Company: _____	
Telephone No.: _____	
Stove Inspected: <input type="checkbox"/>	Chimney Swept: <input type="checkbox"/>
Items Replaced: _____	

Service 06	Date: _____
Engineer Name: _____	
License No.: _____	
Company: _____	
Telephone No.: _____	
Stove Inspected: <input type="checkbox"/>	Chimney Swept: <input type="checkbox"/>
Items Replaced: _____	

Service 07	Date: _____
Engineer Name: _____	
License No.: _____	
Company: _____	
Telephone No.: _____	
Stove Inspected: <input type="checkbox"/>	Chimney Swept: <input type="checkbox"/>
Items Replaced: _____	

Service 08	Date: _____
Engineer Name: _____	
License No.: _____	
Company: _____	
Telephone No.: _____	
Stove Inspected: <input type="checkbox"/>	Chimney Swept: <input type="checkbox"/>
Items Replaced: _____	

HOW TO ORDER REPAIR PARTS

THIS MANUAL WILL HELP TO OBTAIN EFFICIENT, DEPENDABLE SERVICE FROM THE HEATER, AND WILL ENABLE THE CORRECT REPAIR PARTS TO BE ORDERED.

KEEP IN A SAFE PLACE FOR FUTURE REFERENCE.

WHEN WRITING, ALWAYS GIVE THE FULL MODEL NUMBER WHICH IS ON THE NAMEPLATE ATTACHED TO THE BACK OF THE HEATER.

WHEN ORDERING REPAIR PARTS, ALWAYS GIVE THE FOLLOWING INFORMATION AS SHOWN IN THIS LIST /

CE GUIDE VOUS AIDERA À OBTENIR UN SERVICE EFFICACE ET FIABLE DE L'APPAREIL DE CHAUFFAGE ET VOUS PERMETTRA DE COMMANDER CORRECTEMENT DES PIÈCES DE RECHANGE.

VEUILLEZ CONSERVER CE GUIDE DANS UN ENDROIT SÛR À DES FINS DE RÉFÉRENCE.

LORSQUE VOUS NOUS ÉCRIVEZ, VEUILLEZ INDIQUER LE NUMÉRO COMPLET DU MODÈLE QUI FIGURE SUR LA PLAQUE SIGNALÉTIQUE DE L'APPAREIL DE CHAUFFAGE.

LORSQUE VOUS COMMANDEZ DES PIÈCES DE RECHANGE, VEUILLEZ TOUJOURS FOURNIR LES RENSEIGNEMENTS SUIVANTS, TELS QUE MONTRÉS DANS CETTE NOMENCLATURE:

1. The PART NUMBER / LE NUMÉRO DE PIÈCE _____
2. The PART DESCRIPTION / UNE DESCRIPTION DE LA PIÈCE _____
3. The MODEL NUMBER / LE NUMÉRO DE MODÈLE _____
4. The SERIAL NUMBER / LE NUMÉRO DE SÉRIE _____

UNITED STATES STOVE COMPANY
227 Industrial Park Road
P.O. Box 151
South Pittsburg, TN 37380
(423) 837-2100
www.USSTOVE.com

Enregistrement De Service

Il est recommandé que votre système de chauffage est desservi régulièrement et que le Service Interval enregistrement approprié est terminée.

FURNISSEUR DE SERVICES

Avant de terminer l'enregistrement de service approprié ci-dessous, s'il vous plaît vous assurer que vous avez effectué le service tel que décrit dans le les instructions du fabricant. Toujours utiliser pièce de rechange indiquée par le fabricant lors de remplacement est nécessaire.

Service de 01

Date: _____

Nom de l'ingénieur: _____

N° de licence: _____

Compagnie: _____

N° de téléphone: _____

Articles Remplacé: _____

Poêle Inspecté: Cheminée balayée:

Service de 02

Date: _____

Nom de l'ingénieur: _____

N° de licence: _____

Compagnie: _____

N° de téléphone: _____

Articles Remplacé: _____

Poêle Inspecté: Cheminée balayée:

Service de 03

Date: _____

Nom de l'ingénieur: _____

N° de licence: _____

Compagnie: _____

N° de téléphone: _____

Articles Remplacé: _____

Poêle Inspecté: Cheminée balayée:

Service de 04

Date: _____

Nom de l'ingénieur: _____

N° de licence: _____

Compagnie: _____

N° de téléphone: _____

Articles Remplacé: _____

Poêle Inspecté: Cheminée balayée:

Service de 05

Date: _____

Nom de l'ingénieur: _____

N° de licence: _____

Compagnie: _____

N° de téléphone: _____

Articles Remplacé: _____

Poêle Inspecté: Cheminée balayée:

Service de 06

Date: _____

Nom de l'ingénieur: _____

N° de licence: _____

Compagnie: _____

N° de téléphone: _____

Articles Remplacé: _____

Poêle Inspecté: Cheminée balayée:

Service de 07

Date: _____

Nom de l'ingénieur: _____

N° de licence: _____

Compagnie: _____

N° de téléphone: _____

Articles Remplacé: _____

Poêle Inspecté: Cheminée balayée:

Service de 08

Date: _____

Nom de l'ingénieur: _____

N° de licence: _____

Compagnie: _____

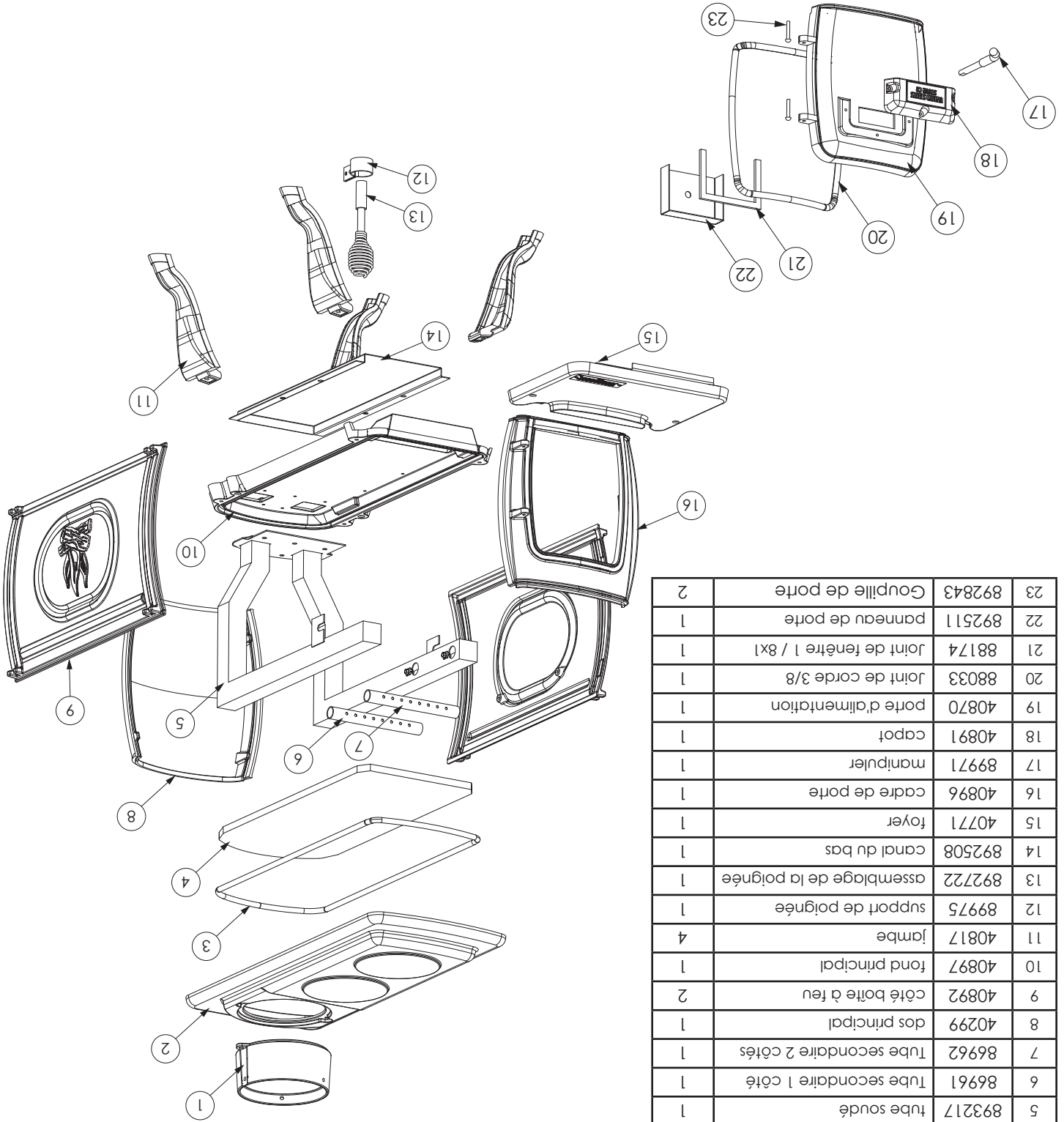
N° de téléphone: _____

Articles Remplacé: _____

Poêle Inspecté: Cheminée balayée:

Schéma Des Pièces

Clé	Partie #	Description	Qté
1	40809	collier de cheminée	1
2	40774	haut principal	1
3	88033	joint de corde 3/8"	1
4	88329	défecteur	1
5	893217	tube soudé	1
6	86961	Tube secondaire 1 côté	1
7	86962	Tube secondaire 2 côtés	1
8	40299	dos principal	1
9	40892	côté boîte à feu	2
10	40897	fond principal	1
11	40817	jambe	4
12	89975	support de poignée	1
13	892722	assemblage de la poignée	1
14	892508	canal du bas	1
15	40771	foyer	1
16	40896	cadre de porte	1
17	89971	manipuler	1
18	40891	capot	1
19	40870	porte d'alimentation	1
20	88033	joint de corde 3/8"	1
21	88174	joint de fenêtre 1 / 8x1	1
22	892511	panneau de porte	1
23	892843	Goupille de porte	2



Afin de maintenir la garantie, les composants doivent être remplacés à l'aide des pièces originales du fabricant achetées via votre revendeur ou directement auprès du fabricant de l'appareil. L'utilisation de composants tiers annulera la garantie.

Entretien

Votre poêle à bois est à haute efficacité et ne requiert donc que très peu d'entretien. Il est important de faire une inspection visuelle du poêle, chaque fois qu'il est vidé, afin d'assurer qu'aucune pièce n'a été endommagée, ce qui nécessiterait une réparation immédiate. Inspectez et nettoyez périodiquement la cheminée et le raccordement du tuyau pour y déceler l'accumulation de créosote ou des obstructions.

ÉTANCHÉISATION

Cette porte utilise un joint de corde de 3/8 po. Il est recommandé de changer le joint de la porte (assurant l'étanchéité à votre porte) une fois par année, afin de vous assurer un bon contrôle sur la combustion, une efficacité maximale et la sécurité. Pour changer le joint de la porte, retirez simplement celui qui est endommagé. Nettoyez ensuite avec soin la rainure du joint, appliquez un silicone à haute température vendu à cette fin et installez le nouveau joint. Vous pourrez allumer votre poêle à nouveau dans environ 24 heures après avoir terminé cette opération.

AVERTISSEMENT :
NE JAMAIS FAIRE FONCTIONNER LE POÊLE SANS UN JOINT D'ÉTANCHÉITÉ OU AVEC UN JOINT BRISÉ. CE CI POURRAIT CAUSER DES DOMMAGES AU POÊLE OU MÊME CAUSER UN INCENDIE.

CONDUIITS D'AIR SECONDAIRES

Les conduits d'air secondaires doivent être nettoyés avec une brosse métallique. Si des débris demeurent dans les trous, frappez légèrement avec un bâton de bois pour les déloger.

CONDUIITS D'AIR

Les conduits d'air assemblés dans cette unité sont conçus pour offrir un mélange précis d'air secondaire et assurer une plus grande efficacité. Tout dommage ou détérioration de ces conduits peut réduire l'efficacité de la combustion. Les conduits d'air sont maintenus en position par des vis ou par des goupilles de blocage. Localisez et enlevez-les des deux côtés du conduit pour le retirer et le remettre en place.

PEINTURE

Nettoyez uniquement votre poêle avec un chiffon doux qui n'endommagera pas le fini. Si la peinture devient égratignée ou endommagée, il est possible de redonner une apparence neuve à votre poêle en le repeignant avec une peinture résistante à une chaleur de 649 °C (1200 °F). À cette fin, troyez la surface à être repeinte avec un papier à poncer fin, nettoyez et appliquez successivement 2 fines couches de peinture.

Nous recommandons fortement que vous installiez un thermomètre magnétique sur votre tuyau d'évacuation de la fumée, à environ 46 cm (18 po) au-dessus du poêle. Ce thermomètre indiquera la température de vos fumées d'évacuation, dans le système d'évacuation des fumées. La température idéale de ces gaz se situe entre 135 et 260 °C (275 et 500 °F). La formation de crésote est favorisée à des températures plus basses. Au-delà de 260 degrés, la chaleur est gaspillée par une trop grande quantité de chaleur perdue dans l'atmosphère.

ENLÈVEMENT ET DISPOSITION DES CENDRES

Lorsque les cendres atteignent 8 à 10 cm (3 à 4 po) d'épaisseur dans votre boîte à feu ou bac à cendres, et que le feu est éteint et refroidi, retirez les cendres en excès. Laissez un lit de cendres d'environ 3 cm (1 po) d'épaisseur sur le fond de la boîte à feu pour aider à conserver une couche chaude de charbon. Les cendres doivent être placées dans un récipient en métal recouvert d'un couvercle bien ajusté. Le récipient de cendres fermé doit être placé sur un plancher incombustible ou sur le sol, loin des matériaux combustibles, en attendant sa mise au rebut finale. Si les cendres sont enterrées ou dispersées sur place, elles doivent rester enfermées dans le récipient, jusqu'à ce qu'elles soient complètement refroidies.

ATTENTION : LES CENDRES POURRAIENT CONTENIR DES BRAISES, MÊME APRÈS DEUX JOURS AVOIR FAIT FONCTIONNER LE POÊLE.

DÉTECTEURS DE FUMÉE ET DE CO

Le brûlage du bois produit naturellement des émissions de fumée et du monoxyde de carbone (CO). Le CO est un gaz poison lorsque l'exposition se fait à des concentrations élevées pour une période de temps prolongée. Bien que les systèmes de combustion modernes des chauffages réduisent de façon importante la quantité de CO émis par la cheminée, l'exposition aux gaz dans des endroits fermés ou clos peut être dangereuse. Assurez-vous que les joints d'étanchéité de votre poêle et les joints de la cheminée soient en bon état et qu'ils scellent correctement, évitant les expositions indésirables. Il est recommandé que vous utilisiez des détecteurs de fumée et de CO dans les zones où on pourrait s'attendre à une génération potentielle de CO.

POUR ÉVITER L'ACCUMULATION DE CRÉSOTE

- Brûlez toujours du bois sec. Ceci permet un brûlage propre et des températures de cheminée plus élevées, et par ce fait, moins de dépôts de crésote.
- La combustion secondaire ne peut se faire que si la boîte à feu est suffisamment chaude.
- Vérifiez toujours la présence de dépôts de crésote une fois tous les deux mois et faites nettoyer votre cheminée au moins une fois par an.
- Si un feu de cheminée ou de crésote survient, fermez immédiatement tous les registres. Attendez que le feu s'éteigne et que le chauffage refroidisse, puis inspectez la cheminée pour déceler d'éventuels dommages. S'il n'y a aucun dommage, effectuez un nettoyage de cheminée afin d'assurer qu'il ne reste aucun dépôt de crésote dans la cheminée.

FNCTIONNEMENT DU CHAUFFAGE

1. Ne faites brûler que du bois et des produits du bois. Pour une efficacité maximale, le bois devrait être bien sec avant de l'utiliser.
2. Fournir de l'air dans la pièce aux fins de combustion.
3. Ne pas toucher le chauffage après un feu, tant qu'il n'est pas refroidi.
4. N'utilisez pas de grille et ne surélevez pas le feu. Établir le feu directement sur l'âtre. La porte d'alimentation en combustible doit demeurer fermée pendant le fonctionnement.

EFFICACITÉ

L'efficacité peut être basée sur le pouvoir calorifique inférieur (PCI) ou le pouvoir calorifique supérieur (PCS) du combustible. Le pouvoir calorifique inférieur, c'est lorsque l'eau quitte le processus de combustion sous forme de vapeur, dans le cas des poêles à bois, l'humidité dans le bois brûlé quitte le poêle sous forme de vapeur. Le pouvoir calorifique supérieur, c'est lorsque l'eau quitte le processus de combustion sous forme entièrement condensée. Dans le cas des poêles à bois, ceci voudrait dire que les gaz d'évacuation sont à la température de la pièce en quittant le système, et donc, les calculs utilisant cette valeur de chaleur tiennent compte de l'élevation de la chaleur dans la cheminée comme une perte d'énergie. Ainsi, l'efficacité calculée en utilisant le pouvoir calorifique inférieur du bois sera plus élevée que celle calculée en utilisant le pouvoir calorifique supérieur. Aux États-Unis, toutes les efficacités des poêles à bois devraient être calculées par le pouvoir calorifique supérieur. Comme opérateur de chauffage au bois, la meilleure façon d'atteindre des efficacités optimales est d'apprendre les caractéristiques de brûlage de votre appareil et du bois bien séché. Règle générale, si votre chauffage produit peu ou pas de fumée visible, c'est qu'il brûle efficacement. Souvenez-vous également que des taux de combustion plus élevés ne sont pas toujours les meilleurs taux de combustion: après qu'un bon feu est établi, un taux de combustion plus bas peut être la meilleure option pour un chauffage efficace. Un taux de combustion plus bas ralentit la sortie du flux de chaleur utilisable hors de la maison par la cheminée, et il consomme également moins de bois.

CONSEILS DE FONCTIONNEMENT POUR UNE COMBUSTION DE QUALITÉ, EFFICACE ET PROPRE

- Utilisez de plus petits morceaux de bois pendant l'allumage et un taux de combustion élevé pour augmenter la température du poêle
- Pensez à l'environnement et ne brûlez que du bois séché
- Allumez de feux petits et intenses, au lieu de grands feux lents, lorsque possible.
- Apprenez les caractéristiques de fonctionnement de votre appareil pour obtenir une performance optimale
- Brûler du bois humide a un impact négatif sur l'efficacité de votre poêle et mène à une accélération de l'accumulation de créosote dans la cheminée

AVERTISSEMENT:

- NE FAITES JAMAIS TROUVER LE POÊLE. SI UNE PARTIE DU POÊLE COMMENCE À ROUGEoyer, il se produit un incendie.
- L'INSTALLATION D'UN BÉQUILLE OU DE GRILLES À BILLES N'EST PAS RECOMMANDÉE DANS VOTRE POÊLE À BOIS, CONSTRUISEZ LE FEU DIRECTEMENT SUR LE COEUR.
- LES TENTATIVES D'OBTENIR DES TAUX DE SORTIE DE CHALEUR SUPÉRIEURS À DES SPÉCIFICATIONS DE CONCEPTION DE RADIATEUR PEUVENT CAUSER DES DOMMAGES PERMANENTS AU RADIATEUR ET À LA COMBUSTEUR CATALYTIQUE, SI ÉQUIPÉS.

RECHARGEMENT

Une fois que vous avez obtenu un bon lit de braises, vous devriez recharger l'unité, ouvrant la porte très lentement; ouvrez-la de quelques centimètres pendant 5 à 10 secondes, avant de l'ouvrir en entier pour augmenter le tirage et éliminer la fumée stagnante dans le poêle pendant la combustion lente. Ramenez ensuite le lit de braises rouges vers l'avant du poêle et rechargez l'unité.

CRÉOSOTE - FORMATION DE DÉPÔT ET NETTOYAGE

Quand le bois brûle lentement, il crée du goudron et d'autres vapeurs organiques qui se combinent avec l'humidité exposée et forment du créosote. Les vapeurs de créosote se condensent dans le conduit de fumée lorsqu'il est relativement froid, par exemple lorsque le feu vient d'être allumé ou que le feu brûle lentement. Par conséquent, les résidus de créosote s'accumulent sur le revêtement du conduit de fumée. Si le créosote prend feu, il crée un feu extrêmement chaud. Le conduit de raccordement et la cheminée doivent être inspectés au moins une fois tous les deux mois pendant la saison de chauffage pour déterminer si des dépôts de créosote se sont accumulés. Si un dépôt de créosote s'est accumulé (3 mm ou plus), il doit être enlevé pour diminuer le risque de feu de cheminée.

Il est **EXTRÊMEMENT IMPORTANT** d'utiliser uniquement du BOIS SEC dans votre poêle à bois. Le bois devrait avoir séché pendant 9 à 15 mois afin que la teneur en humidité (en poids) soit réduite sous 20 % du poids de la bûche. Il est très important de garder à l'esprit que même si le bois a été séché il y a une, deux ou même plus d'années, il n'est pas nécessairement sec s'il a été mal entreposé. Sous des conditions extrêmes, il pourrait arriver qu'il y ait de la moisissure. Ce point ne devrait pas être suffisamment répété; la majorité des problèmes liés au fonctionnement d'un poêle à bois sont causés par le fait que le bois utilisé était trop humide ou avait séché dans de mauvaises conditions. Ces problèmes peuvent être :

- Problèmes d'allumage
- Accumulation de créosote causant des feux de cheminée
- Un faible rendement énergétique
- Noircissement des fenêtres
- Combustion incomplète des bûches

De plus petits morceaux de bois sècheront plus rapidement. Toutes les bûches excédant 15 cm (6 po) de diamètre devraient être fendues. Le bois ne devrait pas être entreposé directement sur le sol. L'air doit pouvoir circuler à travers la corde de bois. Un espace de 61 cm à 1,22 m (24 à 48 po) devrait être laissé entre chaque rangée de bûches, qui devraient être placées dans un endroit comportant le plus d'isolement possible. La couche de bois supérieure devrait être protégée des intempéries, mais pas les côtés.

TESTER VOTRE BOIS

- Une fois le poêle bien réchauffé, placez un morceau de bois fendu (environ 13 cm (5 po) de diamètre) en parallèle avec la porte sur le lit de braises rouges.
- Laissez le contrôle d'air entièrement ouvert en le tirant et en fermant la porte. Si l'allumage du morceau s'effectue dans les 90 secondes ou il a été placé dans le poêle, votre bois est correctement séché. Si l'allumage est plus long, votre bois est humide.
- Si votre bois siffle et que de l'eau ou de la vapeur s'échappe aux extrémités du morceau, votre bois est imbibé ou fraîchement coupé. N'utilisez jamais ce bois dans votre poêle. De grandes quantités de créosote pourraient se déposer dans votre cheminée, créant les conditions pour un potentiel feu de cheminée.

AVERTISSEMENT DE SABOTAGE

Ce chauffage au bois a un taux de combustion minimum réglé à la fabrication, et qui ne peut être modifié. La modification de ce réglage ou une utilisation autre de ce chauffage au bois qui ne respecterait pas les directives du présent manuel contrevient aux réglementations fédérales.

LES PREMIERS FEUX

La peinture fraîche sur votre poêle doit durer pour en préserver sa qualité. Une fois le combustible correctement allumé, ne brûlez que des petits feux pendant les premières heures de fonctionnement. Assurez-vous qu'il y a suffisamment d'air en circulation pendant le durcissement du poêle. Une odeur pourrait être perçue pendant les 3 ou 4 premiers feux. N'effectuez jamais les premiers feux de votre poêle à l'extérieur. Vous ne pourriez voir que vous surchauffez.

ATTENTION: N'attirez jamais la glissière du registre ou le réglage de sa portée afin d'augmenter le cercle de FEU, peu importe la raison. Ceci pourrait causer des dommages au chauffage et annuler votre garantie.

FUMÉE VISIBLE

La fumée visible est simplement du combustible non brûlé et de l'humidité s'échappant de votre poêle. La quantité visible de fumée produite peut être une méthode efficace pour déterminer comment le processus de combustion s'établit efficacement aux réglages donnés. Apprenez comment ajuster les réglages d'air de votre unité afin de produire la plus petite quantité de fumée visible. Toujours garder en mémoire que le bois incorrectement séché a une teneur élevée en humidité et produira un excès de fumée visible et un mauvais brûlage.

PRÉPARATION D'UN FEU

La méthode descendante de préparation d'un feu est recommandée pour cet appareil. Placez les plus grosses pièces de bois au bas, déposées en parallèle et assez près l'une de l'autre. Les secondes pièces sont placées en une seconde couche, en travers aux premières. Une troisième couche de plus petites pièces est déposée en travers de la seconde, cette fois avec un certain espace entre elles. Ensuite, déposer une quatrième couche de bois d'allumage et de papier journal chiffonné sur le dessus de la pile.

Utilisation D'un Poêle À Bois

Votre appareil de chauffage a été conçu pour brûler du bois uniquement; aucun autre matériau ne doit être brûlé. Les déchets et autres matériaux inflammables ne doivent pas être brûlés dans votre poêle. On obtient généralement des rendements plus élevés et des émissions plus faibles lors de la combustion de bois durs séchés à l'air séché, par rapport aux bois résineux ou aux bois feuillus verts ou fraîchement coupés. La combustion des matériaux suivants peut entraîner le dégagement de vapeurs toxiques ou rendre le chauffage inefficace et générer de la fumée.

NE PAS BRÛLER :

1. Des déchets résidentiels ou commerciaux;
 2. Des déchets de fonte ou résidus de jardin;
 3. Des matériaux contenant du caoutchouc, incluant les pneus;
 4. Matériaux contenant du plastique;
 5. Des déchets de produits du pétrole, des peintures ou diluants à peinture, ou des produits d'asphalte;
 6. Matériaux contenant de l'amiante;
 7. Débris de construction ou de démolition;
 8. Produits du papier, carton, contreplaqué, ou panneau de particules. L'interdiction de brûlage de ces matériaux n'interdit pas l'utilisation d'allume-feu composés de papier, carton, sciure
- de bois, cire et substances similaires, aux fins de démarrer le feu dans un chauffage au bois non modifié.
9. Traverses de voie ferrée ou bois traité sous pression;
 10. Fumier ou restes d'animaux;
 11. Bois de grève en eau salée ou autres matériaux précédemment saturés par de l'eau salée;
 12. Bois non séché;
 13. Tous matériaux qui ne sont pas inclus dans la garantie ou le manuel du propriétaire concernant le chauffage au bois; ou
 14. Tous matériaux qui ne sont pas inclus aux essais de certification concernant le chauffage au bois.

Ne pas brûler les bûches fabriquées à partir de sciure imprégnée de cire ou de bûches avec des additifs chimiques. Les bûches fabriquées à partir de sciure de bois compressée à 100%

peuvent être brûlées, mais faites attention à brûler trop de ces bûches en même temps.

Commencez avec une bûche fabriquée et voyez comment le poêle réagit. Vous pouvez augmenter le nombre de bûches brûlées à la fois pour vous assurer que la température

ne dépasse jamais 246 ° C (475 ° F) sur un thermomètre magnétique. Le thermomètre doit être placé à environ 18 "(457 mm) au-dessus du poêle. Des températures plus élevées

peuvent entraîner une surchauffe et endommager votre poêle. Le bois mort tombe des arbres doit être considéré comme étant mouillé et doit donc être séché. Le bois mort

peut normalement être considéré comme sec à 66 % Fendrez et emplir le bois avant de l'entreposer accélère son séchage. Entrezposez le bois sur une surface surélevée du sol et sous un espace abrité

de la pluie ou de la neige, accélérera le temps de séchage. Un bon indicateur pour savoir si le bois est prêt à brûler est de vérifier les extrémités du morceau. Si elles sont fendues de toutes parts à partir du centre, le bois devrait donc être suffisamment sec. Si votre bois grisille quand il brûle, même si la surface est sèche, il pourrait ne pas être entièrement sec et devrait être laissé à sécher plus longtemps.

Vous pouvez consulter le tableau suivant afin de faire les meilleurs choix possible.

TYPE	POIDS KG/M3 (LB/P13) SEC	PAR CORDE DE BOIS	CLASSIFICATION D'EFFICACITÉ	SE FEND	MILLIONS DE BTU/ CORDE
Hickory	1009 (63)	4500	1.0	Bien	31,5
Chêne blanc	768,9 (48)	4100	0,9	Assez bon	28,6
Chêne rouge	736,8 (46)	3900	0,8	Assez bon	27,4
Hêtre d'Amérique	720,8 (45)	3800	0,7	Difficile	26,8
Érable à sucre	704,8 (44)	3700	0,6	Assez bon	26,2
Chêne noir	688,8 (43)	3700	0,6	Assez bon	25,6
Frêne	672,8 (42)	3600	0,5	Bien	25,0
Bouleau jaune	640,7 (40)	3400	0,4	Difficile	23,8
Érable rouge	608,7 (38)	3200	0,3	Assez bon	22,6
Bouleau à papier	592,7 (37)	3100	0,3	Facile	22,1
Orme/Platane occidental	544,6 (34)	2900	0,2	Très difficile	20,1
Épinette rouge	464,5 (29)	1800	0,1	Facile	16,1

ATTENTION! N'UTILISEZ PAS DE HUILE OU DE CHARBON DÉTRUIRE LA BOÎTE À FEU. N'UTILISEZ PAS DE BOIS D'ŒUVRE OU DE BOIS TRAITÉ.

AVERTISSEMENT! N'ENTREPOSEZ JAMAIS DE LIQUIDES INFLAMMABLES, PARTICULIÈREMENT DE L'ESSENCE, À PROXIMITÉ DU CHAUFFAGE.

ATTENTION! LA SURCHAUFFE DE L'APPAREIL PEUT CAUSER UN INCENDIE. SI L'UNITÉ OU LE CONDUIT DE RACCORDEMENT DEVIENT ROUGE, IL Y A SURCHAUFFE.

AVERTISSEMENT! NE PAS OBSTRUER L'ESPACE SOUS LE CHAUFFAGE

ATTENTION! NE JAMAIS UTILISER D'ESSENCE, D'HUILE À LAMPRE, DU KÉROSÈNE, DU LIQUIDE D'ALLUMAGE DE CHARBON DE BOIS OU DES LIQUIDES SIMILAIRES POUR DÉMARQUER LE FEU DANS CE CHAUFFAGE. ÉLOIGNEZ TOUS CES LIQUIDES DU CHAUFFAGE LORSQU'IL EST UTILISÉ.

AVERTISSEMENT! N'UTILISEZ JAMAIS CE CHAUFFAGE ALORS QUE LA PORTE DU COMBUSTIBLE EST OUVERTE.

REMARQUE : NE SURÉLEVEZ PAS LE FEU OU N'UTILISEZ PAS DE GRILLE, ÉTABLISSEZ LE FEU DIRECTEMENT SUR L'ÂTRE.

AVERTISSEMENT! N'UTILISEZ QUE LES PIEDS FOURNIS AVEC CE CHAUFFAGE. RÉFÉREZ-VOUS À L'ÉTAPE 5 DE LA SECTION « INSTALLATION » DU PRÉSENT MANUEL.

ATTENTION CHAUD EN FONCTIONNEMENT. GARDER LES ENFANTS, VÊTEMENTS ET MEUBLES LOIN. LE CONTACT PEUT CAUSER DES BRÛLURES À LA PEAU

ATTENTION NE BRÛLEZ PAS DE DÉCHETS OU DE FLUIDES INFLAMMABLES TELS QUE L'ESSENCE, LE NAPHTHA OU L'HUILE MOTEUR

CONSEILS D'ENTRETIEN

Ne vous attendez pas à ce qu'un chauffage effectuée le tirage. La cheminée est celle qui crée le tirage. Le disperserment de fumée dans la maison, ou une accumulation excessive d'eau ou de crésote dans la cheminée est un avertissement que la cheminée ne fonctionne pas correctement. Corrigez le problème avant d'utiliser le chauffage. Les causes possibles sont :

1. Le raccordement du tuyau peut avoir été poussé trop loin dans la cheminée, bloquant le tirage.
2. Ne branchez pas deux chauffages dans le même conduit de fumée.
3. La cheminée utilisée pour un chauffage ne doit pas être utilisée pour ventiler le cellier ou le sous-sol. S'il y a une porte de nettoyage à la base de la cheminée, elle doit être fermée hermétiquement.
4. Si la température de fonctionnement de la cheminée est trop froide, l'eau se condensera dans la cheminée et coulera dans le poêle. La formation de crésote sera rapide et pourrait bloquer la cheminée. Le fonctionnement de la cheminée à une température de fonctionnement suffisante pour conserver la chaleur de la cheminée peut éviter cette condensation.
5. Si le feu brûle bien, mais a des périodes où il émet de la fumée ou brûle lentement, ce pourrait être causé par le sommet de la cheminée se trouvant plus basse qu'une autre partie de la maison, ou par un arbre à proximité. Le vent soufflant par-dessus la maison ou un arbre, tombe sur le haut de la cheminée similaire ment à de l'eau passant sur un barrage, abattant la fumée vers le bas. Le haut de la cheminée doit être à au moins 91 cm (3 pi) au-dessus du toit et dépasser d'au moins 61 cm (2 pi), tout points du toit dans une distance de 3 m (10 pi).

ATTENTION : Un feu de cheminée peut causer l'allumage des murs à colombages ou des chevrons que vous avez cru à une distance sécuritaire de la cheminée. Si vous subissez un feu de cheminée, faites inspecter votre cheminée par une personne compétente avant de la réutiliser.

ASTM C315 avec une épaisseur minimale des parois, ou d'un matériau d'une durabilité équivalente, de 16 le retrait du conduit de raccordement pour le nettoyage. La virole de cheminée doit être d'argile réfractaire respectivement à la figure 8), doit être pour les types de branchement 8 et 10 cm (3 et 4 po) afin de faciliter respectivement à la figure 8), comme elle est indiquée ci-dessus pour 8 et 10 cm (3 et 4 po) (parties C et D acceptables.

1. Le matériau utilisé dans un système de passage intramural doit être incombustible et doit comporter une conductivité thermique de 4,88 kg • cal/h • m² • °C (1,0 Btu • po/p² • °F

2. Tous les dégagements et épaisseurs sont des minimums : des dégagements et épaisseurs plus élevés sont acceptables.

3. Une virole de cheminée, comme elle est indiquée ci-dessus pour 8 et 10 cm (3 et 4 po) (parties C et D respectivement à la figure 8), doit être pour les types de branchement 8 et 10 cm (3 et 4 po) afin de faciliter le retrait du conduit de raccordement pour le nettoyage. La virole de cheminée doit être d'argile réfractaire ASTM C315 avec une épaisseur minimale des parois, ou d'un matériau d'une durabilité équivalente, de 16 le retrait du conduit de raccordement pour le nettoyage. La virole de cheminée doit être d'argile réfractaire respectivement à la figure 8), comme elle est indiquée ci-dessus pour 8 et 10 cm (3 et 4 po) (parties C et D acceptables.

4. Utilisez une longueur de cheminée préfabriquée répertoriée, au diamètre intérieur de 20 cm (8 po) et à isolant solide d'une épaisseur de 25 mm (1 po). La longueur minimale de cette section de cheminée doit être de 30 cm (12 po) et servira de passage pour le conduit de raccordement de 25 mm (1 po) de diamètre. Le vide d'air entre la paroi extérieure de la section de cheminée et tout matériau combustible doit être d'au moins 30 cm (12 po). La section de cheminée doit être concentrique et être distancée de 25 mm (1 po) du conduit de raccordement au moyen des plaques du support de tôle d'acier à chaque extrémité de la section de cheminée. L'ouverture dans le mur combustible doit être couverte et la section de cheminée doit être soutenue des deux côtés par des supports de tôle d'acier d'un calibre d'au moins 24 (0,024 po) d'épaisseur. Les supports de tôle d'acier doivent être solidement fixés aux surfaces murales, sur tous les côtés, et être d'une taille suffisante pour s'ajuster et maintenir la section de cheminée. Les attaches utilisées pour fixer les sections de cheminée ne doivent pas pénétrer dans le doublage du conduit de fumée. Voir la partie C de la figure 8.

5. Un système de passage intramural peut être acheté et installé selon les directives qui l'accompagnent, offrant une méthode sécuritaire pour faire traverser le conduit de raccordement à travers un mur combustible en vue d'un branchement à une cheminée en maçonnerie.

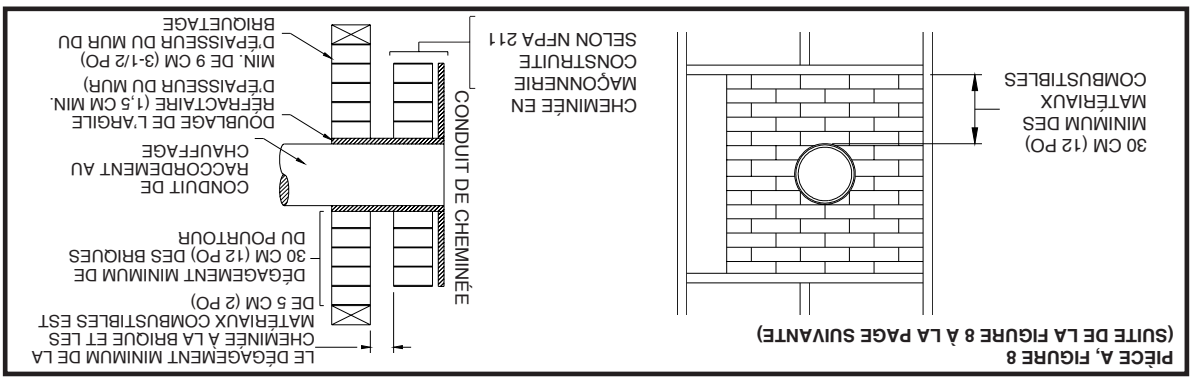
1. Utilisez un encadrement de briquetage d'au moins 9 cm (3-1/2 po) d'épaisseur dans le mur combustible. Un doublage d'argile réfractaire (ASTM C315 ou un équivalent) ayant une épaisseur de paroi d'au moins 16 mm (5/8 po) doit être utilisé et doit être situé à au moins 30 cm (12 po) de tout matériau pouvant s'enflammer. Le diamètre intérieur du doublage d'argile réfractaire doit être d'une taille pouvant s'ajuster de manière serrée à un conduit de raccordement de 15 cm (6 po). Le doublage d'argile réfractaire doit passer de la surface extérieure du mur de brique, jusqu'à ne pas dépasser la surface intérieure du conduit de fumée, en plus d'être cimentée en place. Voir la partie A de la figure 8.

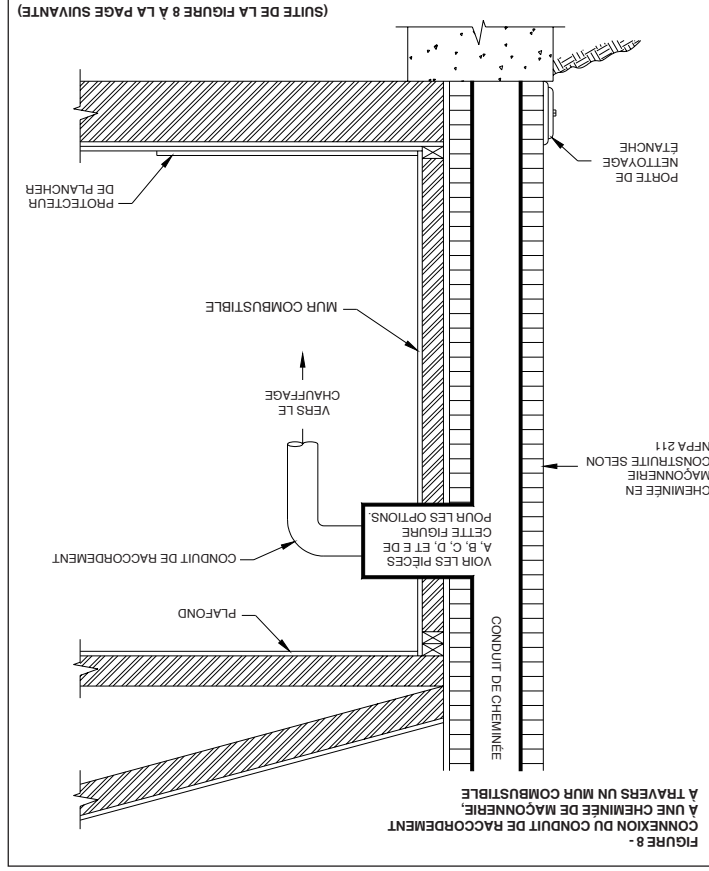
2. Utilisez une longueur de cheminée préfabriquée répertoriée, au diamètre intérieur de 15 cm (6 po) et à isolant solide d'une épaisseur de 25 mm (1 po). Le vide d'air entre la paroi extérieure de la longueur de cheminée et tout matériau combustible doit être d'au moins 23 cm (9 po). L'extrémité intérieure de la longueur de cheminée doit être à égalité avec l'intérieur de la cheminée en maçonnerie, la cheminée doit être scellée à son extrémité à l'entrée du briquetage, avec un ciment réfractaire insoluble par l'eau. Des supports de tôle d'acier d'un calibre d'au moins 24 (0,024 po) d'épaisseur doivent être solidement fixés aux surfaces murales, sur tous les côtés. Les attaches entre les supports et la longueur de cheminée ne doivent pas pénétrer dans le doublage de cheminée. Voir la partie B de la figure 8.

3. Utilisez une virole ventilée de 25 cm (10 po) de diamètre, composée d'acier d'un calibre de 24 (0,024 po) comportant deux canaux d'aération de 25 mm (1 po). La virole ventilée doit être séparée des matériaux combustibles par un minimum de 15 cm (6 po) d'isolant en fibre de verre. L'ouverture dans le mur combustible doit être couverte et la virole doit être soutenue par des supports de tôle d'acier d'un calibre d'au moins 24 (0,024 po) d'épaisseur. Les supports de tôle d'acier doivent être solidement fixés aux surfaces murales, sur tous les côtés. Les attaches entre les supports et la longueur de cheminée ne doivent pas pénétrer dans le doublage de cheminée. Voir la partie B de la figure 8.

4. Utilisez une longueur de cheminée préfabriquée répertoriée, au diamètre intérieur de 20 cm (8 po) et à isolant solide d'une épaisseur de 25 mm (1 po). La longueur minimale de cette section de cheminée doit être de 30 cm (12 po) et servira de passage pour le conduit de raccordement de 25 mm (1 po) de diamètre. Le vide d'air entre la paroi extérieure de la section de cheminée et tout matériau combustible doit être d'au moins 30 cm (12 po). La section de cheminée doit être concentrique et être distancée de 25 mm (1 po) du conduit de raccordement au moyen des plaques du support de tôle d'acier à chaque extrémité de la section de cheminée. L'ouverture dans le mur combustible doit être couverte et la section de cheminée doit être soutenue des deux côtés par des supports de tôle d'acier d'un calibre d'au moins 24 (0,024 po) d'épaisseur. Les supports de tôle d'acier doivent être solidement fixés aux surfaces murales, sur tous les côtés, et être d'une taille suffisante pour s'ajuster et maintenir la section de cheminée. Les attaches utilisées pour fixer les sections de cheminée ne doivent pas pénétrer dans le doublage du conduit de fumée. Voir la partie C de la figure 8.

5. Un système de passage intramural peut être acheté et installé selon les directives qui l'accompagnent, offrant une méthode sécuritaire pour faire traverser le conduit de raccordement à travers un mur combustible en vue d'un branchement à une cheminée en maçonnerie.





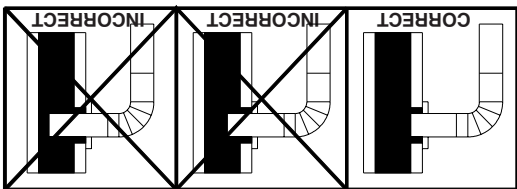
La figure 8 présente la manière de brancher le conduit de raccordement d'un chauffage à une cheminée en maçonnerie en passant à travers un mur combustible. Il y a cinq façons admissibles de brancher un conduit de raccordement à une cheminée de maçonnerie en passant à travers un mur combustible. La norme NFPA 211 permet les systèmes de passage intramural suivant.

TRAVERSANT UN MUR COMBUSTIBLE Cheminée De Maçonnerie Connexion Du Conduit De Raccordement À Une

Le tirage est la force qui fait sortir l'air de l'appareil par la cheminée. La quantité de tirage dans votre cheminée dépend de sa longueur, de la géographie locale, des obstacles à proximité et d'autres facteurs. Un tirage trop important peut provoquer des températures excessives dans l'appareil et endommager le catalyseur de combustion (le cas échéant). Un tirage inadéquat peut provoquer un retour de souffle dans la pièce et un «colmatage» de la cheminée ou du catalyseur (le cas échéant). Un tirage inadéquat entraînera une fuite de fumée dans la pièce par les joints de l'appareil et du conduit de cheminée. Une brûlure incontrôlable ou une température excessive indique un tirage excessif.

IMPORTANT DU BON PROJET

FIG. 7



REMARQUE: Le conduit de raccordement ne doit pas passer à travers un grenier ou un comble, un plancher, un plafond ou un espace vide de construction. Au Canada, si l'on souhaite traverser un mur ou une cloison de matériaux combustibles, l'installation doit être conforme avec CAN/CSA-B365.

6. Utilisez 3 vis autotaraudeuses à chaque joint pour rendre le tuyau plus solide.
7. Il est recommandé d'installer un maximum de deux (2) coudes à 90 degrés pour l'installation du tuyau, sachant que d'en installer davantage pourrait diminuer l'apport en tirage et possiblement causer un dispersément de fumée.

Conduit de Raccordement

CHEMINÉE EN MACONNERIE

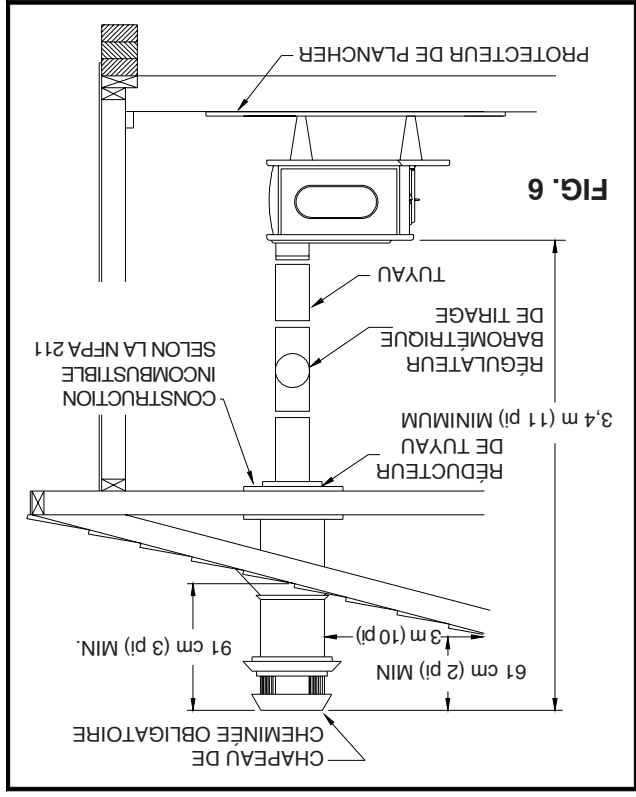
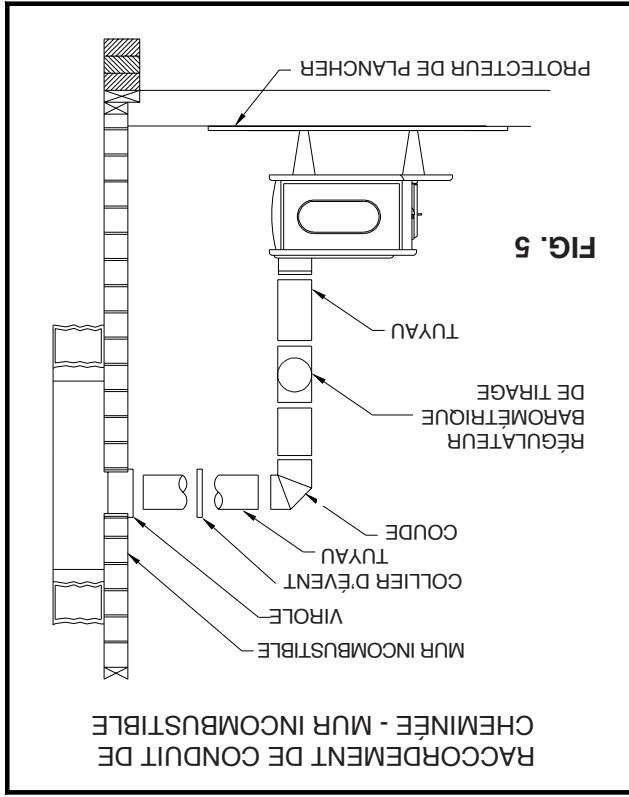
La cheminée de maçonnerie doit être approuvée par le code et avoir un conduit de cheminée. La cheminée de maçonnerie doit respecter les codes UL, ULC. Avant d'utiliser une cheminée existante, nettoyez la cheminée et inspectez-en le doublage pour s'assurer que le fonctionnement sera sécuritaire. Apportez les réparations nécessaires avant de raccorder le chauffage. Voir la page 3, élément 5. Regardez à la Fig. 5. Le tuyau de raccordement et le matériel nécessaire au branchement direct à une cheminée en maçonnerie y sont montrés. Si le tuyau de raccordement doit passer à travers un mur combustible avant d'entrer dans la cheminée en maçonnerie, consultez un maçon compétent ou un représentant en cheminées. L'installation doit être conforme aux codes locaux d'incendie, et au NFPA 211 (E-U.) ou CAN/CSA-B365-M91 (CANADA). Ne pas brancher ce chauffage dans le même conduit de fumée que le foyer d'un autre chauffage. La cheminée utilisée pour un chauffage ne doit pas être utilisée pour ventiler le cellier ou le sous-sol. S'il y a une porte de nettoyage à la base de la cheminée, fermez-la hermétiquement.

CHEMINÉE RÉPERTORIÉE UL/ULC

Suivre avec attention les instructions du fabricant. N'utilisez que des conduits de raccordement en acier de type HT selon UL 103, ULC, de 15 cm (6 po) de diamètre, noir ou bleu, d'un calibre minimum de 24. Si votre cheminée commence dans le plafond, vous aurez besoin d'une longueur de tuyau de 15 cm (6 po) pour l'atteindre. Le haut de la cheminée doit être à au moins 91 cm (3 pi) au-dessus du toit et dépasser d'au moins 61 cm (2 pi), tout points du toit dans une distance de 3 m (10 pi). Utilisez un tuyau à double ou triple paroi pour la portion extérieure de la cheminée.

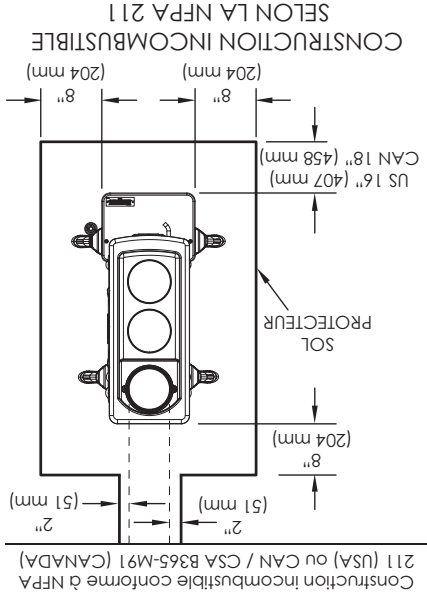
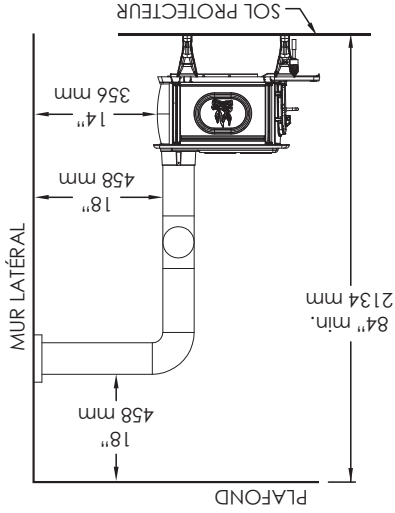
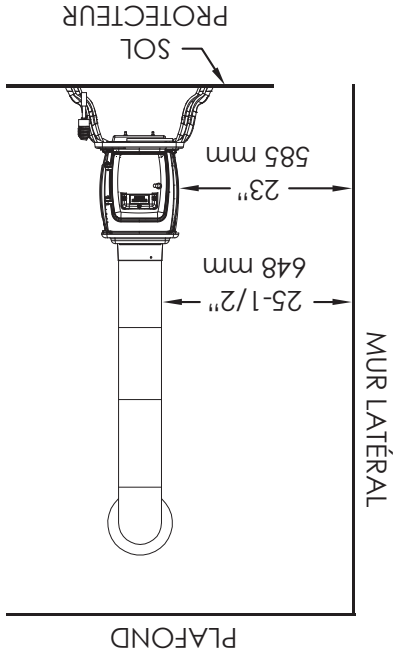
RÈGLES POUR L'INSTALLATION DU TUYAU DE RACCORDEMENT

1. L'extrémité ondulée du tuyau doit être installée en direction du chauffage. Le tuyau doit se glisser dans la buse. Le tuyau doit être solidement fixé à la buse au moyen de 3 vis, puis scellé avec du ciment à calorifère.
2. Appliquez une pente minimale de 6 mm (1/4 po) par 30 cm (1 pi) de conduit horizontal de tuyau en direction de la cheminée. La section horizontale doit être d'au moins 61 cm (24 po) du poêle.
3. Vous devez avoir un dégagement d'au moins 46 cm (18 po) entre tout tuyau horizontal et le plafond.
4. Le tuyau ne peut se prolonger à l'intérieur du conduit de fumée.
5. Scellez chaque joint de raccordement avec du ciment à calorifère. Scellez également le tuyau à la cheminée. Scellez l'intérieur avec un silicone pour températures élevées et l'extérieur avec un ruban pour températures élevées.



Installation

DÉGAGEMENT MINIMAL PAR RAPPORT AUX MURS COMBUSTIBLES É.-U., CANADA

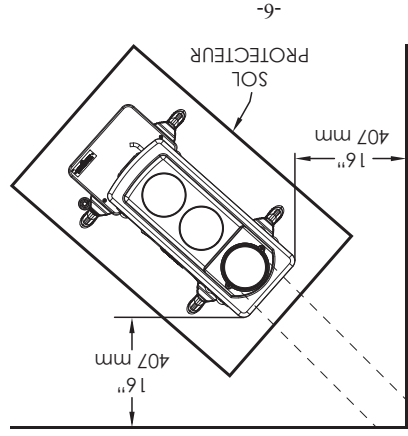


Tenez compte de l'emplacement de la cheminée pour vous assurer qu'elle n'est pas trop proche des voisins ou dans une vallée pouvant être à l'origine de conditions malsaines ou nuisibles. EMPLOI DE PROTECTEUR DE PLANCHER non protégées. Consultez le tableau pour les dimensions des surfaces protégées.)

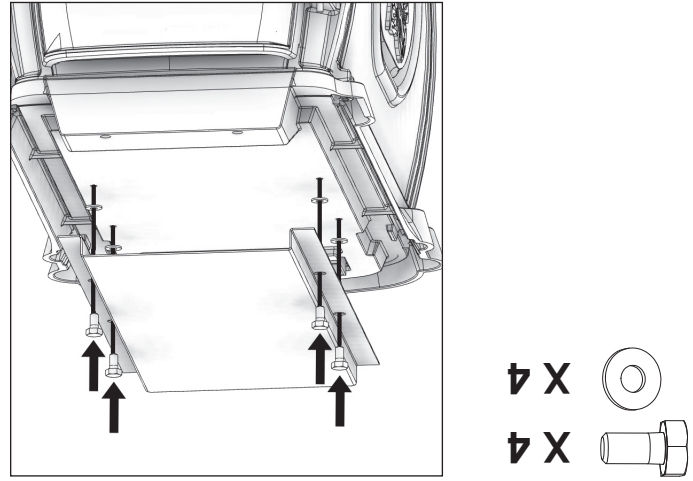
Placez le chauffage sur une solide maçonnerie ou du béton. Lorsque le chauffage est utilisé sur un plancher combustible, utilisez un protecteur de plancher répertorié par Underwriters. Le protecteur de plancher doit respecter les normes UL (E-U.) et CAN/ULC (Canada) et a une valeur R de 2,06. Le protecteur de plancher doit dépasser d'au moins 16 "au-delà du côté de la porte de l'appareil de chauffage et 8" de chaque côté. Il devrait également étendre 8 "au-delà de l'arrière pour le Canada. Le protecteur de plancher doit étendre 2 "au-delà de chaque côté du conduit de fumée si elle est courbée vers un mur, ainsi que 2 "de chaque côté de la cheminée pour les courses horizontales.

- Après avoir consulté les instructions d'installation pour les dégagements minimum aux matériaux combustibles, localisez votre protecteur de plancher en conséquence et placez soigneusement le poêle dans votre emplacement sélectionné. Installer tuyau de poêle, les coudes et de à couder si nécessaire, en utilisant soit une cheminée en maçonnerie récemment nettoyé et inspecté (correctement doublée) ou une cheminée UL, ULC. Assurez que le déflecteur de combustion fixe qui est prévu est installé dans le col de combustion.
- Encore une fois, vérifiez les illustrations suivantes et assurez-vous d'avoir les dégagements montés du chauffage et du tuyau de raccordement par rapport aux surfaces combustibles. Si vous avez de la brique ou de la pierre derrière votre chauffage, veuillez consulter le code de construction local quant aux règles spécifiques pour appliquer à votre région. Par contre, si le mur n'est que revêtu avec de la brique ou de la pierre, considérez-le par un mur combustible. Afin de réduire les dégagements de la cheminée par rapport aux matériaux combustibles, contactez votre service de sécurité local.
- Si votre cheminée a un tirage excessif, procurez-vous un régulateur barométrique de tirage (DR6 disponible auprès du fabricant).
- Le raccord de cheminée devrait être aussi court que possible, et le chauffage doit posséder son propre conduit de cheminée. **NE BRANCHEZ PAS CETTE UNITÉ À UN CONDUIT DE FUMÉE UTILISÉ PAR UN AUTRE APPAREIL.**
- Utilisez trois vis auto taraudeuses dans chaque tuyau de poêle ou joint coudé pour maintenir solidement le tuyau. Scellez le pourtour des vis.
- N'installez pas ce chauffage dans une maison mobile.
- Vérifiez vos codes de construction et d'assurance. L'installation doit respecter ces règles.

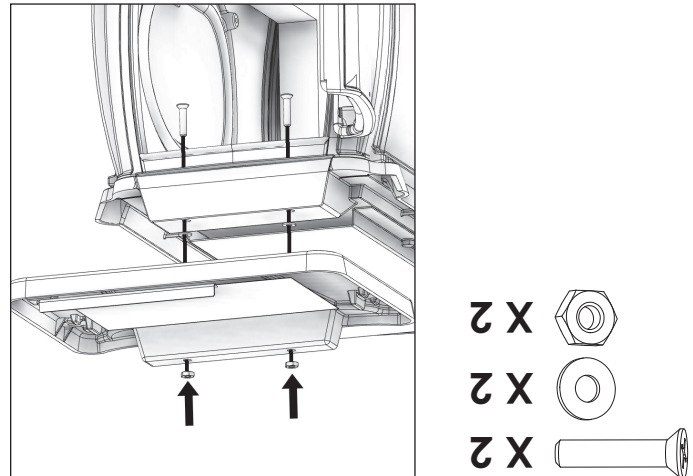
ATTENTION! Éloigner l'ameublement et tous autres matériaux combustibles de l'appareil.



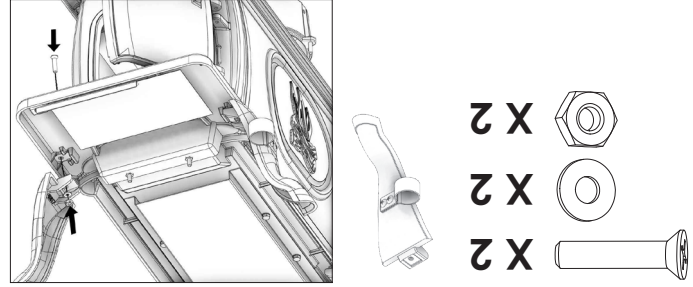
- Déballer le poêle et retirer les matériaux d'emballage et le sac de protection en poly (conserver la boîte en carton pour un assemblage ultérieur).
- Retirez les pièces de l'intérieur du poêle.
- Placer le carton aplati sur le sol et retourner soigneusement le poêle sur le carton.
- Fixez le canal d'air inférieur avec quatre (4) vis 1 / 4-20 X 3/8" et quatre (4) rondelles.



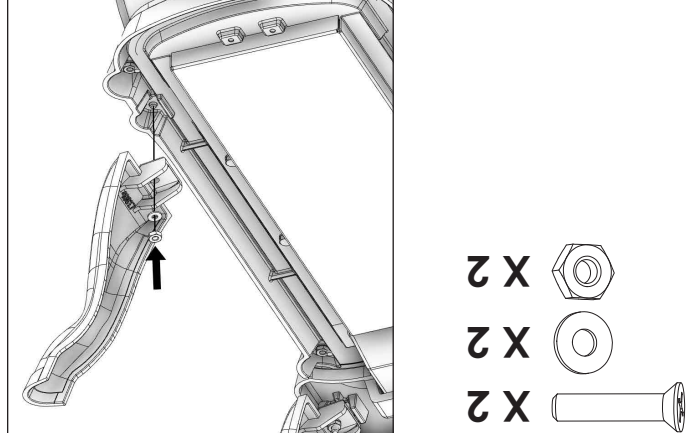
- Fixez le foyer au bas du poêle à l'aide de deux (2) vis 1 / 4-20 x 1-3 / 16, deux (2) rondelles et deux (2) écrous de blocage 1 / 4-20.



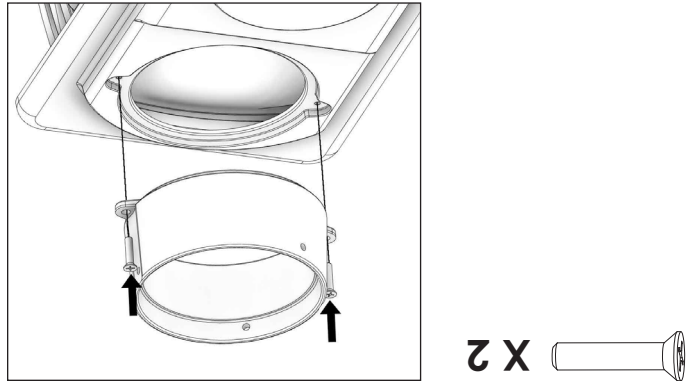
- Fixez les pieds avant au foyer avec deux (2) vis 1 / 4-20 x 1-3 / 4, deux (2) rondelles et deux (2) contre-écrous 1 / 4-20. REMARQUE: Un seul pied est équipé d'un support de poignée. Ce pied support est conçu pour être installé sur le côté avant droit de l'unité.



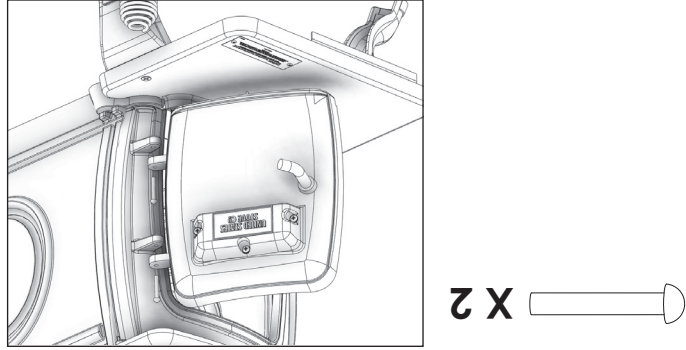
- Fixez les pieds arrière à la base du poêle avec deux (2) vis 1 / 4-20 x 1-3 / 4, deux (2) rondelles et deux (2) contre-écrous 1 / 4-20.



- Soulevez le poêle avec précaution et placez-le à l'endroit souhaité. Alignez les trous du collier de cheminée avec les trous du poêle et fixez-les à l'aide de (2) deux vis 1 / 4-20 X 1-3 / 4.

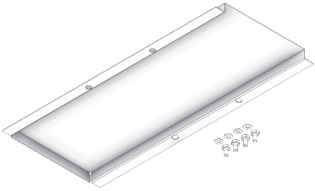





- Abaissez la porte d'alimentation en position tout en alignant les axes de charnière.



Instructions D'assemblage

Retirez les éléments suivants situés à l'intérieur du foyer de ce poêle :

Qté	Description	
1	Foyer	
1	Candl intérieur	
1	Collier de cheminée	
4	Jambes	
1	Ensemble poignée	
1	Porte	

OUTILS ET MATERIAUX REQUIS

- Remarque: les éléments suivants ne sont pas inclus avec votre poêle safety Classes
- Gants de foyer
 - Crayon
 - Règle pliante ou ruban
 - à mesurer
 - Cisailles
 - Percer
 - 1/8" dia. Foret
 - Clé à molette
 - N° 2 tournevis philips
 - Raccord de cheminée
 - Vis à tôle 1/2"
 - Cheminée
 - Ciment De Four
 - Protecteur de sol tel que spécifié

ATTENTION : Le poêle est lourd. Assurez-vous d'avoir suffisamment d'aide et d'utiliser les techniques appropriées de levage lorsque vous déplacez le poêle.

AVIS : United States Stove Company n'accorde aucune garantie, implicite ou déclarée, pour l'installation ou l'entretien de votre poêle à bois, et n'assume aucune responsabilité quant à tous dommages consécutifs.

Règles de sécurité

AVIS DE SÉCURITÉ : Si ce chauffage n'est pas correctement installé, un incendie résidentiel pourrait se produire. Pour votre sécurité, respectez les directives d'installation. Communiquez avec les responsables en bâtiment ou le service d'incendie local de votre secteur au sujet des restrictions et exigences d'inspection à l'installation de votre région.

LIRE ATTENTIVEMENT CES RÈGLES ET INSTRUCTIONS

1. Vérifiez les codes locaux. L'installation doit respecter ces règles. Observez de près les dégagements par rapport aux matériaux combustibles.
2. N'installez pas ce chauffage dans une maison mobile.
3. Toujours brancher ce chauffage à une cheminée et évacuez vers l'extérieur. Ne jamais évacuer les gaz vers une autre pièce ou à l'intérieur d'un bâtiment. NE BRANCHEZ PAS CETTE UNITÉ À UN CONDUIT DE CHEMINÉE UTILISÉ PAR UN AUTRE APPAREIL.
4. Ne pas brancher un chauffage au bois sur un conduit d'évacuation des gaz de type B. C'est non sécuritaire et interdit par le National Fire Protection Association Code. Ce chauffage exige une maçonnerie approuvée ou une cheminée de type résidentiel et appareil de chauffage d'immuable répertorié UL, ULC. Utilisez une cheminée d'un diamètre de 15 cm (6 po) ou plus, suffisamment haute pour procurer un bon tirage.
5. Assurez-vous que votre cheminée est constituée de manière sécuritaire et qu'elle est en bon état. Faites inspecter la cheminée par un inspecteur certifié ou le service d'incendie. Votre compagnie d'assurance pourrait être en mesure de vous recommander un inspecteur certifié.
6. Inspectez le conduit de raccordement et la cheminée deux fois par mois pendant la saison de chauffage pour y déceler tout dépôt de créosote ou de suie devant être enlevé (voir l'entretien de la cheminée).
7. Fournir de l'air pour la combustion à partir de l'extérieur de la maison, dans la pièce où le chauffage est situé. Si la prise n'est pas dans la même pièce, l'air doit avoir un accès libre dans la pièce.
8. Pour éviter les blessures, ne laissez personne utiliser ce chauffage sans qu'il soit familiarisé avec son bon fonctionnement.
9. Pour davantage d'information sur l'utilisation sécuritaire du chauffage, obtenez une copie

- Pour de plus amples informations dans le cas d'une installation au Canada, procurez-vous une copie de CAN/CSA - B365 - M91 Code d'installation des appareils à combustibles solides et du matériel connexe.
- 10. ATTENTION – Les peintures spéciales utilisées sur votre chauffage peuvent provoquer une certaine fumée pendant le durcissement au cours des quelques premiers feux. Commencez par faire des petits feux. Les enfants et personnes/animaux avec des problèmes pulmonaires devraient faire preuve de précautions pendant le processus de durcissement.
- 11. SOIN DES PIÈCES PEINTES – Ce chauffage a un recouvrement peint qui est durable, mais qui ne résistera pas à la manutention brutale ou les mauvais traitements. Lorsque vous installez votre chauffage, faites attention à la manipulation. Nettoyez avec du savon et de l'eau tiède lorsque le chauffage n'est pas chaud. NE PAS utiliser d'acide ou de savon à récurer, car ils vont user et ternir le fini. LA DÉCOLORATION DE LA PEINTURE SURVIENDRA SI LE CHAUFFAGE EST SURCHAUFFÉ. SUIVRE ATTENTIVEMENT LES DIRECTIVES DE FONCTIONNEMENT.
- 12. Toutes les personnes, particulièrement les enfants, devraient être prévenues des dangers des surfaces aux températures élevées et tenues à l'écart pendant le fonctionnement. Les petits enfants ne devraient pas se trouver dans la pièce du chauffage sans supervision.
- 13. Tenir les zones adjacentes au chauffage, exemples de tous matériaux combustibles, essence et autres vapeurs inflammables de l'appareil.
- 14. Ce chauffage ne devrait pas servir de source principale de chauffage.
- 15. ATTENTION NE PAS CONNECTER OU UTILISER CONJOINTEMENT AVEC UN RÉSEAU DE DISTRIBUTION D'AIR

ATTENTION! Ne pas toucher le chauffage tant qu'il n'est pas refroidi.

REMARQUE :

POUR VOTRE SÉCURITÉ, NOUS RECOMMANDONS L'INSTALLATION DE DÉTECTEURS DE FUMÉE DANS VOTRE RÉSIDENCE, SI CE N'EST PAS DÉJÀ LE CAS.

Les instructions relatives à l'installation de votre poêle à bois respectent les normes UL et ULC. Ce manuel décrit l'installation et l'utilisation du poêle à bois US1269E, modèle United States Stove Company. Cet appareil de chauffage respecte les limites d'émission de bois des littères vendues après le 15 mai 2020 par la Environmental Protection Agency des États-Unis pour l'Environnemental Protection Agency (ESA). Dans des conditions de test spécifiques de l'EPA, brûler du bois dimensionnel en sapin Douglas, il a été démontré que cet appareil produisait de la chaleur à un taux de 29 234 et 26 300 Btu / h. Cet appareil de chauffage a atteint un taux d'émission de particules de 1,8 g / h lorsqu'il a été testé selon la méthode ASTM E2780-10 Single Burn Rate Appendice (* et avec un rendement de 67%).

Combustible :	Bois
Couleurs :	Noir mat
Diamètre du tuyau de raccordement :	15 cm (6 po)
Type de tuyau de raccordement : (Mur simple standard)	Noir ou acier bleu! 650 °C (2100 °F)
Hauteur minimum de la cheminée :	3,7 m (12 pi)
Longueur maximum de bûche :	483 mm (19 po)
Électrique :	Aucun
Dimensions	
Général (profondeur x largeur x hauteur) :	838 x 470 x 584 mm (33 x 18,5 x 23 po)
Chambre de combustion : Largeur x profondeur :	229 mm x 482 (9 x 19 po)
Volume : Mètres cubes (pieds cubes) :	0,03 mètre cube (1,2 pied cube)
Ouverture de la porte :	191 mm x 259 mm (7,5 po X 10,2 po)
Poids (kg (lb)) :	63,5 kg (140 lb)

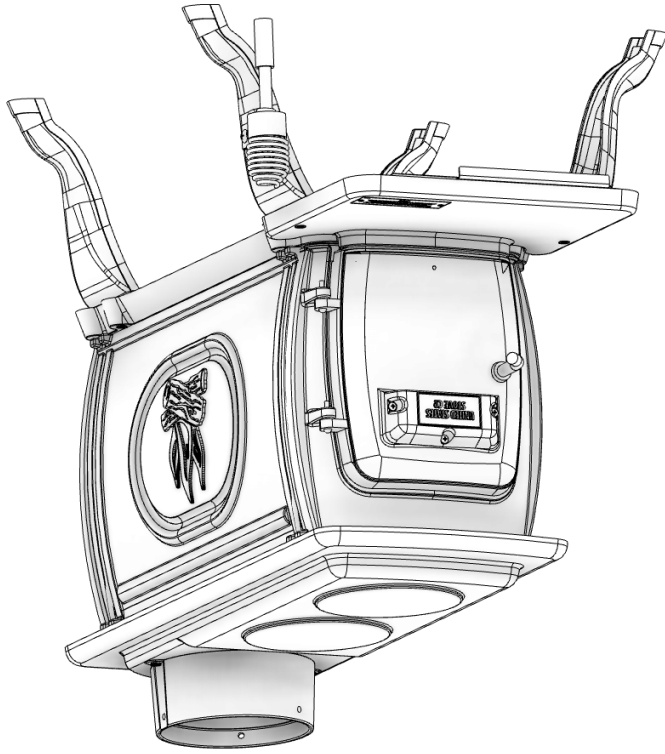
Remarque: Enregistrez votre produit en ligne sur www.usstove.com. Conservez votre reçu avec vos dossiers pour toute réclamation.

IMPORTANT: Cet appareil de chauffage au bois doit être inspecté et réparé périodiquement pour un fonctionnement correct. Il est contraire à la réglementation fédérale d'utiliser ce poêle à bois d'une manière non conforme aux instructions d'utilisation de ce manuel. Le fonctionnement de cet appareil de chauffage au bois d'une manière non conforme au manuel du propriétaire annulera la garantie.

**UNITED STATES
STOVE CO**

ESTÉ 1869

MODÈLE: US1269E
Bois rond



N'UTILISEZ PAS CET APPAREIL DANS UNE MAISON MOBILE.
CONSERVEZ CES INSTRUCTIONS CE MANUEL VOUS AIDERA
À OBTENIR UN SERVICE EFFICACE ET FIABLE À PARTIR
DU RADIATEUR ET VOUS PERMETTRA DE COMMANDER
CORRECTEMENT LES PIÈCES DE RÉPARATION. GARDEZ
DANS UN ENDROIT SÛR POUR RÉFÉRENCE FUTURE.

MISE EN GARDE! Veuillez lire ce manuel en entier
avant d'installer ou d'utiliser votre nouveau radiateur.
Le non-respect des instructions peut entraîner des
dommages matériels, des blessures corporelles ou
même la mort. Une installation incorrecte peut annuler
Votre garantie!

AVIS DE SÉCURITÉ: Si ce chauffage n'est pas installé
correctement, un incendie peut se produire dans
la maison. Pour votre sécurité, suivez les instructions
d'installation. N'utilisez jamais de composants de
décalage lors de l'installation de ce chauffage.
Contactez les autorités locales du bâtiment ou des
pompiers au sujet des permis, des restrictions et des
exigences d'installation dans votre région.

AVERTISSEMENT CONCERNANT LA PROPOSITION 65 DE L'ÉTAT DE LA CALIFORNIE:
Ce produit peut vous exposer à des agents chimiques, y compris au monoxyde de
carbone, lesquels sont reconnus dans l'État de la Californie comme causant le cancer et
des malformations congénitales ou autres dommages au fœtus. Pour obtenir plus de
renseignements, veuillez consulter le site www.P65warnings.ca.gov

U.S. Environmental Protection Agency
Certifié conforme aux normes d'émissions de
particules de 2020 pour les appareils de chauffage
à combustion simple. Ce poêle à bois à combustion
unique n'est pas approuvé pour utilisation avec un
registre de combustion.



Rapport No: F19-526
Certifié UL 1482-2011 (R2015) et
ULC-S627-00 (R2016)

United States Stove Company
227 Industrial Park Road
South Pittsburg, TN 37380