



LCD Projector
CP-WX11000
WXGA (1,366 x 800)
6,500 Lumens
Lenses are all optional



LCD Projector
CP-SX12000
SXGA+ (1,400 x 1,050)
7,000 Lumens
Lenses are all optional



• **Simulator**
Projecting large images with high brightness produces more realistic simulations.



• **Vertical projection**
Create signage by projecting images onto a floor any place you have a large gathering of people.



• **Video conferencing**
Use life-sized projections of people for video conferences.



• **Concerts**
These projectors have enough brightness to project large images at mid-size concerts.

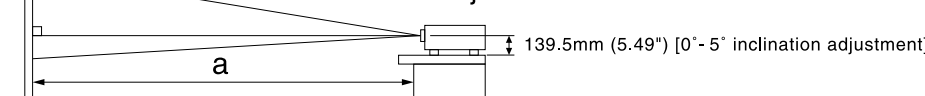
SPECIFICATIONS

CP-WX11000		CP-SX12000		
Model name	CP-WX11000	CP-SX12000		
Liquid crystal panel structure	1.22" polysilicon active-matrix TFT x 3	1.3" polysilicon active-matrix TFT x 3		
Number of pixels	1,062,000 pixels (V900 x H1,366)	1,400,000 pixels (V1,050 x H1,400)		
Resolution	1,366 x 800 (WXGA)	1,400 x 1,050 (SXGA+)		
Lamp	350W UHB	350W UHB		
Brightness (light output)	6,500 Lumens (with Standard Lens SD-804)	7,000 Lumens (with Standard Lens SD-804)		
Contrast ratio	2,500:1 (HS on with Standard Lens SD-804)	2,500:1 (HS on with Standard Lens SD-804)		
Keystone correction	Auto vertical and manual vertical/horizontal keystone	Auto vertical and manual vertical/horizontal keystone		
Power supply	AC110-120V/AC220-240V	AC110-120V/AC220-240V		
Operating temperature	5-35°C (41-95°F)	5-35°C (41-95°F)		
Input signals	RGB input Video input S-Video: Jack x 1, Composite video: RCA jack x 1, BNC x 1	VGA, SVGA, XGA, WXGA, SXGA, SXGA+, UXGA, MAC16" NTSC, NTSC4.43, PAL, SECAM, MPAL, NPAL HDTV: 720p (720p), 1125i (1080i), 1080p, SDTV: 525i (480i), 525p (480p), 625i (576i)	VGA, SVGA, XGA, WXGA, SXGA, SXGA+, UXGA, MAC16" NTSC, NTSC4.43, PAL, SECAM, MPAL, NPAL HDTV: 720p (720p), 1125i (1080i), 1080p, SDTV: 525i (480i), 525p (480p), 625i (576i)	
Input/output terminals	RGB input HDMI input Monitor output Wired remote control input Wired remote control output Control port	RGB input HDMI x 1 15-pin Mini-Dsub x 1 Stereo mini jack x 1 Stereo mini jack x 1 Serial port in x 1, out x 1 for RS232C	RGB input HDMI x 1 15-pin Mini-Dsub x 1 Stereo mini jack x 1 Stereo mini jack x 1 Serial port in x 1, out x 1 for RS232C	
Wired network (LAN)	RJ45 x 1	RJ45 x 1		
Agency certifications	UL60950-1/C-UL, FCC Part 15, Class A, AS/NZS CISPR22 Class A, CE/EN60950-1, EN55022 Class A, EN55024, EN61000-3-2, EN61000-3-3	UL60950-1/C-UL, FCC Part 15, Class A, AS/NZS CISPR22 Class A, CE/EN60950-1, EN55022 Class A, EN55024, EN61000-3-2, EN61000-3-3		
Dimensions (WxHxD)	476 x 272 x 469mm (18.74" x 10.71" x 18.46") [excl. protruding part]	476 x 272 x 469mm (18.74" x 10.71" x 18.46") [excl. protruding part]		
Weight	13.1kg (28.9 lbs.) [without lens]	13.1kg (28.9 lbs.) [without lens]		
Standard accessories	Computer cable, Power cord, Remote control, Batteries, Security label, User's manual	Computer cable, Power cord, Remote control, Batteries, Security label, User's manual		

* Specifications are measured in the normal mode.

PROJECTION DISTANCE OF LENS OPTIONS

a: Projection distance



CP-WX11000

Ultra Short Lens: USL-801

Screen Size (inch)	min.	a	max.
40 (17:10 Screen)	0.4m (16")	1.3m (50")	1.3m (50")
60	0.6m (25")	0.8m (30")	0.8m (30")
80	0.9m (34")	1.0m (40")	1.0m (40")
100	1.1m (43")	1.3m (51")	1.3m (51")
150	1.7m (65")	2.0m (78")	2.0m (78")
200	2.2m (88")	2.7m (104")	2.7m (104")
300	3.4m (133")	4.2m (165")	4.2m (165")
350	3.9m (154")	4.7m (184")	4.7m (184")
400	4.5m (178")	5.4m (212")	5.4m (212")
500	5.7m (223")	6.7m (264")	6.7m (264")
600	6.8m (268")	8.1m (318")	8.1m (318")
700	7.9m (313")	9.4m (371")	9.4m (371")

Standard Lens: SD-804

Screen Size (inch)	min.	a	max.
40 (17:10 Screen)	1.8m (72")	2.4m (95")	2.4m (95")
60	2.8m (111")	3.7m (147")	3.7m (147")
80	3.8m (150")	5.0m (198")	5.0m (198")
100	4.8m (189")	6.3m (249")	6.3m (249")
150	7.3m (287")	9.5m (375")	9.5m (375")
200	9.8m (384")	12.7m (500")	12.7m (500")
300	14.7m (580")	19.2m (755")	19.2m (755")
350	17.2m (677")	22.4m (882")	22.4m (882")
400	19.7m (773")	25.6m (1008")	25.6m (1008")
500	24.6m (970")	32.1m (1262")	32.1m (1262")
600	29.6m (1163")	38.5m (1516")	38.5m (1516")
700	34.6m (1361")	44.9m (1770")	44.9m (1770")

Short 1 Lens: SL-802

Screen Size (inch)	min.	a	max.
40 (17:10 Screen)	1.0m (41")	1.3m (50")	1.3m (50")
60	1.5m (62")	1.9m (75")	1.9m (75")
80	2.1m (84")	2.6m (103")	2.6m (103")
100	2.7m (106")	3.3m (129")	3.3m (129")
150	4.1m (161")	5.0m (195")	5.0m (195")
200	5.5m (218")	6.6m (262")	6.6m (262")
300	8.3m (328")	10.2m (399")	10.2m (399")
350	9.7m (381")	11.7m (460")	11.7m (460")
400	11.1m (436")	13.4m (528")	13.4m (528")
500	13.2m (518")	16.7m (659")	16.7m (659")
600	16.2m (638")	20.1m (791")	20.1m (791")
700	19.4m (765")	23.5m (928")	23.5m (928")

Long Lens: LL-805

Screen Size (inch)	min.	a	max.
40 (17:10 Screen)	3.4m (134")	4.5m (177")	4.5m (177")
60	3.7m (144")	6.8m (269")	6.8m (269")
80	4.9m (194")	9.2m (361")	9.2m (361")
100	6.2m (244")	11.6m (457")	11.6m (457")
150	9.4m (370")	17.3m (683")	17.3m (683")
200	12.6m (496")	23.2m (913")	23.2m (913")
300	19.2m (748")	34.9m (1374")	34.9m (1374")
350	22.2m (873")	40.7m (1593")	40.7m (1593")
400	25.4m (998")	46.5m (1832")	46.5m (1832")
500	31.8m (1251")	58.2m (2292")	58.2m (2292")
600	38.2m (1502")	69.9m (2752")	69.9m (2752")
700	44.5m (1754")	81.6m (3212")	81.6m (3212")

Short 2 Lens: SL-803

Screen Size (inch)	min.	a	max.
40 (17:10 Screen)	1.0m (41")	1.8m (72")	1.8m (72")
60	1.5m (62")	2.8m (110")	2.8m (110")
80	2.5m (100")	3.8m (148")	3.8m (148")
100	3.2m (128")	4.7m (186")	4.7m (186")
150	4.8m (190")	7.1m (281")	7.1m (281")
200	6.5m (255")	9.2m (376")	9.2m (376")
300	9.8m (388")	14.4m (569")	14.4m (569")
350	11.4m (450")	16.8m (661")	16.8m (661")
400	13.1m (514")	19.2m (756")	19.2m (756")
500	16.4m (644")	24.0m (945")	24.0m (945")
600	19.5m (774")	28.8m (1136")	28.8m (1136")
700	22.8m (903")	33.7m (1325")	33.7m (1325")

Ultra Long Lens: UL-806

Screen Size (inch)	min.	a	max.
40 (17:10 Screen)	4.3m (169")	8.0m (314")	8.0m (314")
60	6.5m (256")	12.1m (475")	12.1m (475")
80	8.8m (345")	16.2m (636")	16.2m (636")
100	11.0m (433")	20.3m (798")	20.3m (798")
150	16.6m (655")	30.5m (1201")	30.5m (1201")
200	22.2m (870")	40.8m (1605")	40.8m (1605")
300	33.5m (1318")	61.2m (2411")	61.2m (2411")
350	39.1m (1540")	71.5m (2815")	71.5m (2815")
400	44.7m (1761")	81.7m (3219")	81.7m (3219")
500	56.9m (2239")	102.2m (4025")	102.2m (4025")
600	67.2m (2648")	122.7m (4831")	122.7m (4831")
700	78.4m (3089")	143.2m (5637")	143.2m (5637")

* Brightness varies depending on the lens. Tolerance ±10%.
* CP-WX11000 distance is for resolution of 1,366 x 800, Aspect Full mode.

OPTIONAL ACCESSORIES



Filter **MU06351**
Ceiling mount bracket **HAS-10000**
For low ceiling mount **HAS-204L**
Lamp **DT01001**
For high ceiling mount **HAS-304H**

• Design and specifications are subject to change without notice.

- The screen and monitor images and comparison photos in this catalog are simulations.
- LCD panels, polarizers and other optical components and cooling fans may need replacement after prolonged usage. For more details, please consult a Hitachi sales representative.
- Do not use in places where there is a lot of water, dampness, steam, dust, soot or tobacco smoke. This may result in fire or malfunction.
- Optical components (lamp, LCD panel, polarizer plate, PBS [polarizer beam splitter], contrast-up film) have limited service lives. They must be repaired or replaced if they are used for a long period of time.
- These projectors use a mercury lamp with high internal pressure. Because of its properties, this lamp may burst with a loud noise or burn out if struck or after it has been used for a period of time. The time until it bursts or burns out varies greatly according to differences between lamps and usage conditions. Turning the lamp's power on and off frequently shortens its service life.
- Optical components other than the lamp: If the projector is used for six hours or more per day, they may need to be replaced in less than a year.
- LCD panel: If the projector is used continuously for six hours or more, its replacement cycle may be shortened.
- Do not turn projector on again for ten minutes after shutdown. Neglect can shorten the lifetime of the lamp. During use and immediately after use, do not touch anywhere near the lamp and the vents as these parts are extremely hot.
- HDMI, the HDMI logo and High-Definition Multimedia Interface are trademarks or registered trademarks of HDMI Licensing LLC.

HITACHI

Hitachi Home Electronics (America), Inc., Business Group 900 Hitachi Way, Chula Vista, CA91914-3556, U.S.A. and Canada

Tel: +1-800-HITACHI Fax: +1-619-591-5418 www.hitachi.us/digitalmedia

Hitachi Home Electronics Asia (S) Pte. Ltd. 438A Alexandra Road #01-01/02/03, Alexandra Technopark, Singapore 119967

Tel: +65-6536-2520 Fax: +65-6536-2521 www.hitachiconsumer.com.sg

Hitachi Sales (Malaysia) Sdn. Berhad (1154-V) Lot 12, Jalan Kemajulah, Bangi Industrial Estate, 43650 Bandar Baru Bangi, Selangor Darul Ehsan, Malaysia.

Tel: +60-3-8926-4168 Fax: +60-3-8926-3013 www.hitachiconsumer.com.my

Hitachi Sales (Thailand), Ltd. 994 Soi Thonglor, Sukhumvit 55 Road, Klongtonnua, Vadhana Bangkok 10110, Thailand

Tel: +66-2381-8381-98 Fax: +66-2391-0210/2391-0021 www.hitachi-th.com

Hitachi (Hong Kong), Ltd. 18th Floor, Ever Gain Centre, 28 On Muk Street, Shatin, N.T., Hong Kong Tel: +852-2113-8883 Fax: +852-2783-4178 www.hitachi-hk.com.hk

Hitachi Sales Corp. of Taiwan 2nd Floor, No.65, Nanking East Road, Section 3, Taipei 104, Taiwan Tel: +886-2-2516-0500 Fax: +886-2-2516-1501 www.hsct.com.tw

Hitachi Australia Pty Ltd. Level 3, 82 Waterloo Road, North Ryde, NSW 2113, Australia Tel: +61-2-9888-4100 Fax: +61-2-9888-4188 www.hitachi.com.au

Hitachi Europe Ltd. Whitebrook Park, Lower Cookham Road, Maidenhead, Berkshire, SL6 8YA, UK Tel: +44-1628-585000 Fax: +44-1628-643404 www.hitachidigitalmedia.com



Hitachi, Ltd, Consumer Business Group has received ISO 14001 certification.

LCD Projectors

CP-WX11000/CP-SX12000

HITACHI
Inspire the Next



The projectors that meet all your needs, in all types of spaces.

Printed in Japan (H) NM-EXXX 0109

High Resolution Meets Superb Functionality.



Introducing two high performance models that combine outstanding resolution with the wide array of Hitachi projector functions: the WXGA CP-WX11000 and the SXGA+ CP-SX12000. Designed for simple installation and easy maintenance, these projectors offer beautiful picture quality and Hitachi's industry-best reliability. They will provide large screen images for venues such as auditoriums and convention halls, bringing Hitachi performance to a wide spectrum of possible new uses.

Wider Lens Shift

With Hitachi's lens shift technology, the image's range of movement grows even wider. The CP-WX11000 can cover a total range of 3.5 screen* areas vertically and 2.2 screen areas horizontally (it can shift up or down by 120%* of the screen's height, and left or right by 60% of the screen's width.) This wider projection area means that you can place the projector on the second floor and be sure that audience shadows from the first floor will not block the screen. In auditoriums and convention halls with stationary screens, the projector can now be placed freely among any number of possible locations.

* CP-SX12000: 2.7 screens, 85%
* Figures are when Standard lens SD-804 is used.

Lens Memory

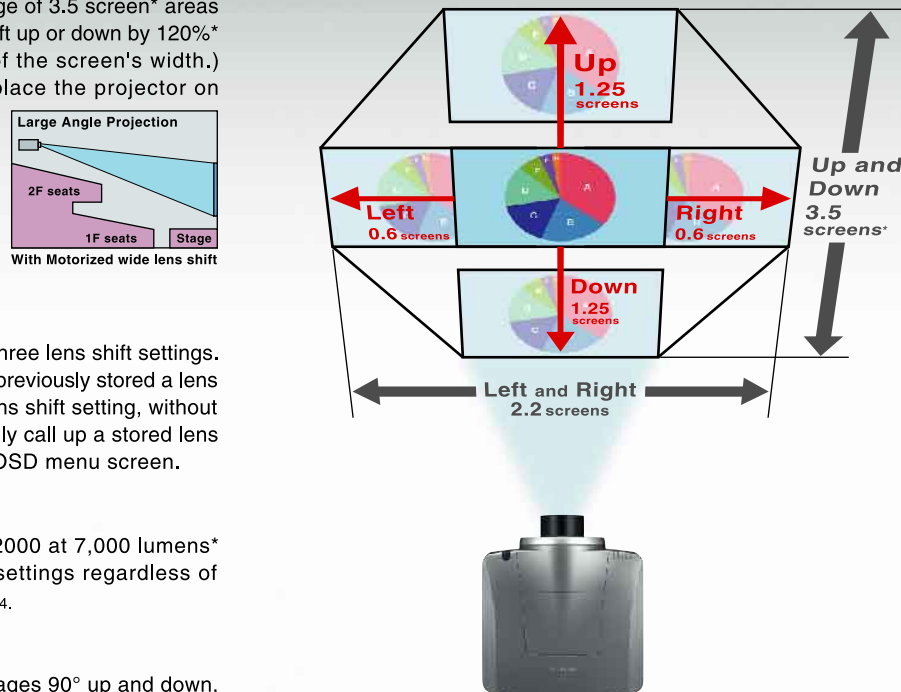
Lens Memory is a function capable of storing up to three lens shift settings. When you take another picture at a place where you previously stored a lens shift setting in memory, you can use the optimum lens shift setting, without having to adjust the lens shift position. You can easily call up a stored lens shift setting by selecting it from LOAD 1-3 on the OSD menu screen.

High Brightness

The CP-WX11000 at 6,500 lumens* and CP-SX12000 at 7,000 lumens* provide outstanding performance in a variety of settings regardless of size or ambient brightness. * With Standard Lens SD-804.

Vertical Projection

The CP-WX11000 and CP-SX12000 can project images 90° up and down, opening up a whole new range of possible applications.



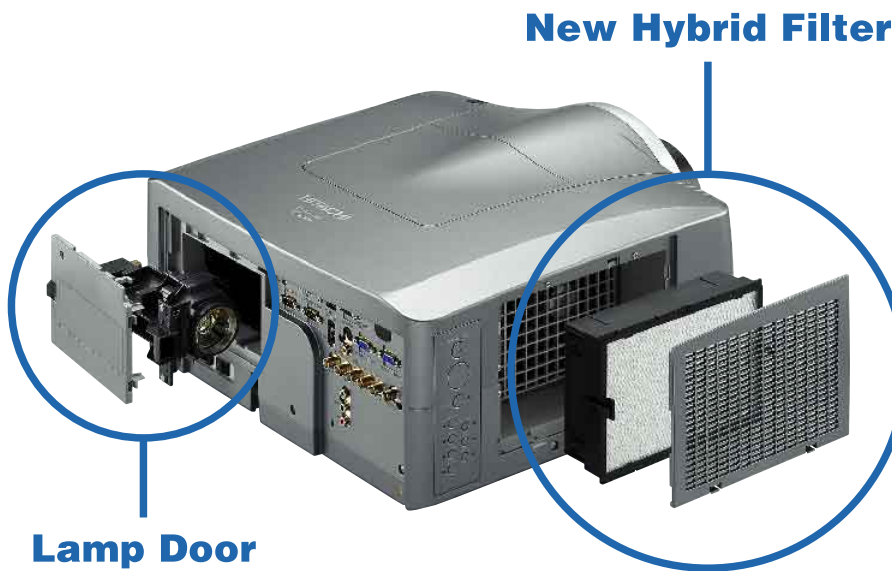
New High Performance Filter

The finely crafted form of these projectors incorporates a four-layer filter, providing maximum defense against dust with four unwoven cloth layers and two kinds of three HAF. This highly efficient filter lasts about 50 times longer than conventional filters.* Thanks to this long life and easy maintenance, these models are ideal for use in retail, digital signage and other environments where the projector is in constant use.

* Depends on usage environment. Based on Hitachi test results.

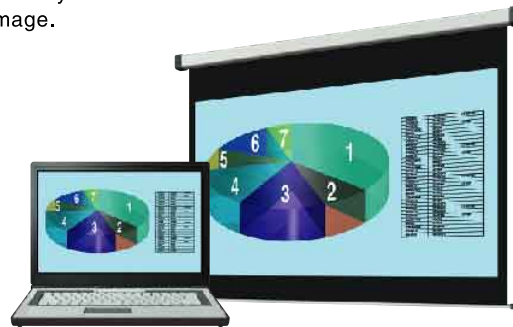
Easy Replacement

With a side-mounted filter and the lamp on the back of the projector, maintenance is even easier, as the filter and lamp can both be replaced from the projector's fixed position. Removing them is also very simple, saving maintenance time.



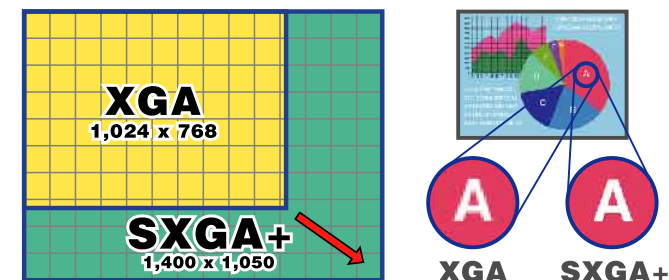
Wide screen compatibility

Featuring a wide WXGA (1,366 x 800) LCD panel, the CP-WX11000 projects beautiful images with real WXGA resolution—and there's no need to modify the wide screen computer image.



High Resolution of SXGA+

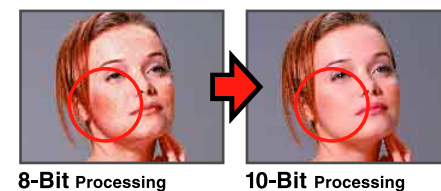
The CP-SX12000 offers an extremely wide SXGA+ resolution projection area. Capable of displaying clear and vivid details for CAD designs, technical data, simulators and so on, it ensures that text and graphs are always sharp.



Heightened Picture Quality

Digital processing of the video signal is 10-bit from input to output, allowing smooth and natural gradations with 1024 shades of each RGB color. In total, the CP-WX11000 and CP-SX12000 can create 1.074 billion colors. Additionally, with an on-board high performance chip and high contrast of 2500:1* using the Iris, picture quality is boosted even further.

* With Standard Lens SD-804



Inorganic LCD Panels

The CP-WX11000 and CP-SX12000 use three inorganic LCD panels, which feature higher resistance to light. This translates into longer operating life and permits the installation of a stronger light source, achieving even greater brightness. The use

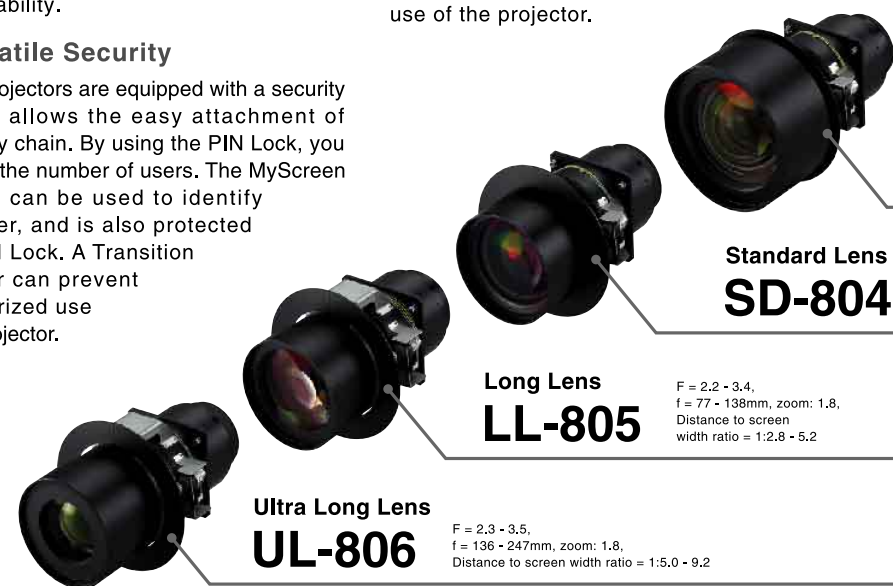
of double speed drive further improves picture quality, and this unique technology achieves higher contrast with LCD panels. In addition, the inorganic LCD panels offer high reliability.

Versatile Security

These projectors are equipped with a security bar that allows the easy attachment of a security chain. By using the PIN Lock, you can limit the number of users. The MyScreen function can be used to identify the owner, and is also protected by a PIN Lock. A Transition Detector can prevent unauthorized use of the projector.

P by P Function

The P by P function lets you show two different images on a split screen, for more effective use of the projector.



Remote Control with ID Change Function

The remote control has four ID buttons. When operating multiple projectors at one time, each projector ID can be changed to prevent confusion. Adjustments to the focus, zoom and lens shift can all be made via the remote control. The remote control also has a built in laser pointer.



New OSD Menu Design

The CP-WX11000 and CP-SX12000 use a new OSD menu with an intuitive interface and sophisticated design. Various functions are easily differentiated by icons, and a horizontal slide bar makes for easy operation.



Network Bridge Function and RS-232C Input/Output

The Network Bridge function allows commands to be passed thru its LAN port and sent to another device connected to the RS-232C

output, such as an external TV Tuner or control panel. This helps to simplify and lower the costs of cabling and installation. As well, having individual RS-232C inputs and outputs allows you to daisy chain multiple CP-WX11000s or CP-SX12000s together.

Convenient Networking

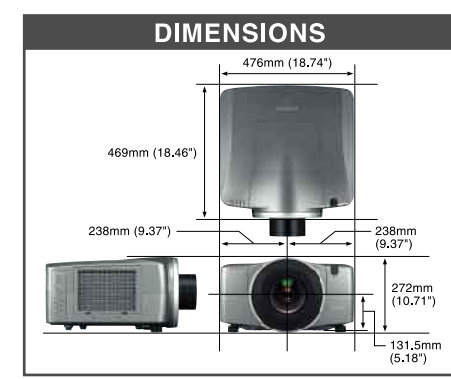
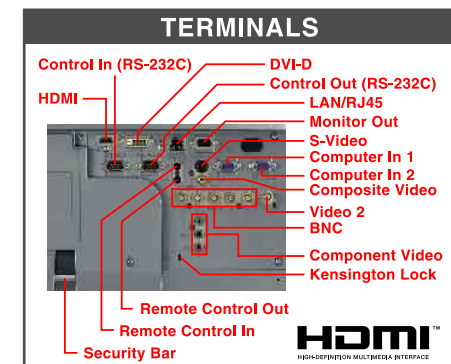
Using LAN Network functions, management and control of multiple projectors is possible. Networking functions include Projector monitoring and control, My image (image transfer), e-mail alerts and scheduling functions.

Mechanical Shutter

The shutter mechanically blocks off light, acting as a valuable tool for any presentation.

Other Features

- Input Source Naming • Direct Power On
- Auto Vertical Keystone Correction
- Resolution Preset and Customize
- Template Function • Whiteboard and Blackboard Mode • Daytime Mode
- IR Remote Freq. Change • Closed Captions
- My Text • Serial Number Label on Side
- Source Skip • Security LED



LCD Projectors

CP-WX11000 CP-SX12000

Lenses are all optional



Variety of Interchangeable Lens Options

By making use of six types of optional lenses, projection onto a 100" screen can be achieved from a distance of anywhere from 1.1 to 20.3 meters (43"—798") with the CP-WX11000, and 1 to 18.8 meters (39"—740") with the CP-SX12000, allowing them to fit easily into available space. In spacious areas such as auditoriums and convention halls they are capable of creating up to a 700" image. One lens adapter is included with the projector. When using multiple lenses, it is convenient to purchase additional lens adapters for each one.

Short 1 Lens SL-802	Short 2 Lens SL-803	Standard Lens SD-804	Long Lens LL-805	Ultra Long Lens UL-806
<p>Ultra Short Lens USL-801</p> <p>F = 2.4 - 2.5, f = 14 - 17mm, zoom: 1.2, Distance to screen width ratio = 1:0.5 - 0.6</p> <p>CP-WX11000: 1.1 - 1.3m (43" - 51") CP-SX12000: 1.0 - 1.2m (39" - 47")</p>	<p>F = 2.5 - 2.9, f = 34 - 41mm, zoom: 1.2, Distance to screen width ratio = 1:1.2 - 1.5</p> <p>CP-WX11000: 2.7 - 3.3m (106" - 129") CP-SX12000: 2.5 - 3.0m (99" - 119")</p>	<p>F = 2.1 - 2.7, f = 40 - 59mm, zoom: 1.5, Distance to screen width ratio = 1:1.5 - 2.1</p> <p>CP-WX11000: 3.2 - 4.7m (126" - 186") CP-SX12000: 3.0 - 4.4m (116" - 173")</p>	<p>F = 1.6 - 2.1, f = 60 - 78mm, zoom: 1.3, Distance to screen width ratio = 1:2.2 - 2.9</p> <p>CP-WX11000: 4.8 - 6.3m (180" - 248") CP-SX12000: 4.4 - 5.8m (175" - 230")</p>	<p>F = 2.2 - 3.4, f = 77 - 138mm, zoom: 1.8, Distance to screen width ratio = 1:2.8 - 5.2</p> <p>CP-WX11000: 6.2 - 11.5m (244" - 453") CP-SX12000: 5.7 - 10.7m (226" - 419")</p>
<p>F = 2.3 - 3.5, f = 136 - 247mm, zoom: 1.8, Distance to screen width ratio = 1:5.0 - 9.2</p> <p>CP-WX11000: 11.0 - 20.3m (433" - 798") CP-SX12000: 10.2 - 18.8m (402" - 740")</p>				

Projection distances for optional lenses when projecting onto a 100" screen. CP-WX11000 distance is for resolution of 1,366 x 800, Aspect Full mode.