

MOVADO

OPERATING INSTRUCTIONS
WARRANTY & SERVICE GUIDE

TABLE OF CONTENTS

	PAGE
ABOUT MOVADO	3
CARE AND MAINTENANCE	4
OPERATING INSTRUCTIONS	
① Standard 2-Hand and 3-Hand Models – Quartz and Automatic (Includes 1881 Automatic women’s and most Movado Museum Dial watches)	7
② Standard 3-Hand/Date and 3-Hand Day/Date Models – Quartz and Automatic (Includes Datron, SE, select Series 800, and Vizio PEEK quartz watches, and 1881 Automatic men’s, Red Label and Series 800 Sub-Sea automatics)	8
③ Quartz Worldtime Models with GMT Quick Change Feature (Includes Series 800 Worldtime and BOLD GMT models)	9
④ Automatic 2- and 3-Hand Models with Animated Date (Includes Movado Red Label Calendomatic and Red Label Calendomatic with small seconds)	10
⑤ Quartz Chronograph 1/1 of a Second – Type A (Includes 43.5 mm Movado BOLD and Series 800 Sub-Sea quartz chronographs)	11
⑥ Quartz Chronograph 1/1 of a Second – Type B (Includes Series 800 Sub-Sea Retrograde and Verto retrograde chronographs)	14
⑦ Quartz Chronograph 1/5 of a Second – Type A (Includes Series 800 women’s and 34 mm Movado BOLD chronograph models)	16
⑧ Quartz Chronograph 1/5 of a Second – Type B (Includes 40 mm Movado BOLD Luxe and select 38 mm Movado BOLD chronograph models)	18
⑨ Quartz Chronograph 1/10 of a Second – Type A (Includes the Movado Junior Sport quartz chronograph)	20
⑩ Quartz Chronograph 1/10 of a Second – Type B (Includes the original Series 800 sport and sport elegant, and select Vizio quartz chronographs)	22
⑪ Quartz Chronograph 1/10 of a Second – Type C (Includes Cerena, Datron, Movado BOLD Titanium XL, new Movado Circa, Movado Edge, Movado Parlee Quartz, Movado TC (Thin Classic), Museum Sport, Sapphire Synergy, SE Pilot and Strato quartz chronographs)	24
⑫ Quartz Chronograph 1/10 of a Second – Type D (Includes Verto and select 38 mm Movado BOLD quartz chronographs)	27
⑬ Ana-Digi Quartz Chronograph 1/100 of a Second (Includes the Movado Dura ana-digi quartz chronograph)	29
⑭ Automatic Chronograph 1/1 of a Second – Type A (Includes original Movado Circa, Movado Master and Vizio automatic chronographs)	33
⑮ Automatic Chronograph 1/1 of a Second – Type B (Includes new SE automatic chronographs)	36

TABLE OF CONTENTS

	PAGE
⑩ Automatic Chronograph 1/1 of a Second – Type C (Includes new Datron automatic chronographs)	38
⑪ Automatic Chronograph 1/1 of a Second – Type D (Includes SE Extreme and limited edition Movado Parlee automatic chronographs)	40
⑫ Automatic 3-Hand Models with Animated 24-Hour Universal Time Indication (Includes Movado Red Label Calendomatic Universal Time models)	42
⑬ Automatic 2-Hand Models with Moon Phase Disk and Date Indicator (Includes Movado Red Label Planisphere models)	43
⑭ Automatic 2-Hand Models with Moon Phase Aperture and Date Indicator (Includes Movado Red Label Skymap)	45
⑮ Digital LED Touch-Screen Models with Dual-Time Zone and Month/Date Display (Includes Movado BOLD Touch models)	46
⑯ Digital LCD Full Dot Matrix Touch-screen Multi-function Models (Includes Movado BOLD Touch 2 models)	48
⑰ Quartz Chronograph 1/1 of a Second – Type C (Includes Movado Heritage Series Calendoplan chronographs)	52
⑱ Quartz 3-Hand Moon Phase/Day/Date Models – Type A (Includes Movado Heritage Series Celestograf 42 mm models)	55
⑲ Quartz 3-Hand Moon Phase/Day/Date Models – Type B (Includes Movado Heritage Series Celestograf 36 mm models)	57
⑳ Mechatronic Multi-function Chronograph Models (Includes select Vizio chronographs)	58
SPECIAL FEATURES	
Ⓐ Rotating Bezel	62
Ⓑ Screw-down Crown	63
Ⓒ Rotating Reflector Ring	64
OBTAINING SERVICE	65
WARRANTY INFORMATION	66
MOVADO AUTHORIZED SERVICE CENTERS	67

MOVADO

A premier Swiss watch company renowned for its modern design aesthetic, Movado has earned more than 100 patents and 200 international awards for artistry and innovation since 1881. It is the hallmark of some of the most famous timepieces ever created, notably the Movado Museum® Watch.

Designed in 1947 by artist Nathan George Horwitt and regarded today as an icon of Modernism, the watch dial defined by a single dot at 12 o'clock, symbolizing the sun at high noon, has been acclaimed for purity of design unrivaled in the history of time-keeping.

The Movado watch collection features precise Swiss quartz and automatic movements, solid stainless steel craftsmanship and scratch-resistant sapphire crystals. Select styles are fashioned of solid 18K gold, while others incorporate genuine diamonds and fine leather straps, or exciting new materials like carbon fiber, rubber, ceramic and titanium. Movado Series 800® sport models are crafted of high grade Performance Steel™, some equipped with XTremeResin™ straps reinforced by KEVLAR®. The Movado BOLD® collection features new touch-screen digital and Swiss quartz analog movements, and K1 crystals. Along with stainless steel, it draws on a range of innovative materials including sleek TR90, silicone and other soft polymers, aluminum and titanium.

Water resistant, all Movado watches are distinguished by a legacy of design innovation and a dedication to the future of time. Congratulations on your purchase.

CARE AND MAINTENANCE

Like any finely crafted mechanism, your Movado watch requires periodic maintenance to ensure optimal performance. Maintenance includes complete disassembly, cleaning, replacement of parts as needed, reassembly and lubrication of the movement. A maintenance interval of 3 to 5 years is recommended, in addition to any required battery replacement.

Never open the watch yourself. If your watch needs repair or adjustment, take or mail it directly to a Movado Authorized Service Center. For a complete worldwide listing, visit us online at www.movado.com.

NOTE: The Movado Watch Company assumes responsibility only for service performed at its Authorized Service Centers.

SHOCK

All Movado watches have shock-resistant movements, individually tested to meet international standards.

DUST

Dust can enter a watch if the case, crystal or crown is not intact. A small particle is enough to stop the movement. Have your watch repaired promptly if the crystal becomes loose, chipped or cracked, or if there is damage to the case or crown.

MAGNETISM

The exposure of a timepiece to strong magnetic fields will affect its time-keeping, and may cause it to stop. A quartz watch should resume working with its original accuracy when removed from the magnetic field; a mechanical timepiece may require demagnetization before it will operate again.

WATER RESISTANCE

All Movado watches are tested to meet international standards for water resistance.

Most styles are water resistant to 30 meters (3 bar/3ATM/99 feet); certain models are water resistant to even greater pressures/depths, as marked on the dial or case-back.

CAUTION: If the water resistance limit is not marked on your watch, do not subject it to a pressure/depth greater than 3 bar (3 ATM/30 meters/99 feet), or your watch could be damaged and your warranty will be voided.

IMPORTANT: Do not operate the watch crown, push-buttons on a chronograph model, or any other pushers/buttons when the timepiece is wet or under water.

NOTE: The Movado Watch Company will not be responsible for any damage caused by or related to leakage originating from improper handling or damage to the case, crown, gaskets or crystal.

To maintain water resistance, yearly maintenance is required. The gaskets and crown which seal the case are subject to wear and deterioration under normal use. These parts should be inspected and replaced as needed each time the watch is opened for service, including battery changes.

Your Authorized Movado Service Center will automatically retest your watch for water resistance as a routine step in all service orders.

CARE AND MAINTENANCE

OTHER PRECAUTIONS:

If your watch is equipped with a screw-down crown or pushers, be sure to screw it/them back down into the case after every operation.

Water resistance applies only to the watch case; some watch straps should not be worn under water or subjected to wet conditions. Please see STRAP CARE.

Avoid exposing your watch to sudden and excessive temperature variations.

Do not drop your watch or bang it against a hard surface. Water resistance must be rechecked after every violent shock.

Clean your watch regularly by wiping it with a soft cloth dampened with fresh water, especially after exposure to seawater.

STRAP CARE

While the life span of a watch strap depends on your care and wearing habits, as well as the climate in which you live, proper care will extend its life.

Leather straps should be kept dry. Exposure to water may cause a leather watch strap to become brittle and eventually break. To preserve the finish of the leather, contact with perfumes should be avoided. Following exposure to chlorinated or salt water, gently damp wipe your leather strap with fresh water, and air dry.

To help preserve the natural elasticity and quality of a Series 800 ThermoResin™ or XTremeResin™ strap, rinse it using a soft cloth soaked in fresh water following exposure to salt water, chemicals or abrasive substances.

Use warm water and a neutral pH soap applied to a soft cloth to gently clean a white Series 800 ThermoResilient™ strap or a Movado Master white rubber strap; then wipe with a second clean cloth dipped in warm water, or rinse carefully under warm running water. Contact with acetone and ethyl alcohol should be avoided.

A natural gum rubber or "rubber cement pick-up" (found in art supply stores) may be used to remove most surface stains from a Movado BOLD coated white leather strap or white TR90/silicone bracelet. Simply rub the natural gum gently across the soiled area until the strap/bracelet is clean.

For stains that have penetrated the surface of a white Movado BOLD strap or bracelet, organic solvents like Zymol liquid leather cleaner or Columbus gel super cleaner, a de-inking roller (ethyl alcohol and propylene ink remover) or an ethyl alcohol-based solution such as Purell hand sanitizer (62% ethyl alcohol) may be used. Wipe soiled area with a soft wet cloth. Then dampen a cotton ball or soft clean white cloth with the cleansing solution, and rub soiled area gently. Repeat 2 to 3 times until stain disappears. Please test for color fastness on inside surface before applying any solution. For best results, treat all stains/soil promptly.

NOTE: Movado watch straps are not covered by the Movado watch warranty.

CARE AND MAINTENANCE

BATTERY INFORMATION

A Movado quartz timepiece has a 1.55 Volt silver-oxide battery that is specially designed for watches. It will last approximately 18 – 36 months under normal use.

NOTE: Frequent use of special functions, like the stopwatch timer on chronograph models, may shorten battery life.

End-of-life feature: The seconds hand on many models will start to move haltingly in 4-second increments when the battery is almost exhausted, signaling the need to have it replaced.

Battery replacement: It is important to use only the replacement battery recommended by Movado. Take or send your watch to an Authorized Service Center to have battery changed – your old battery will be disposed of/ recycled properly. Do not attempt to change the battery yourself.

① STANDARD 2-HAND AND 3-HAND MODELS QUARTZ AND AUTOMATIC

Includes 1881 Automatic women's and most Movado Museum Dial watches

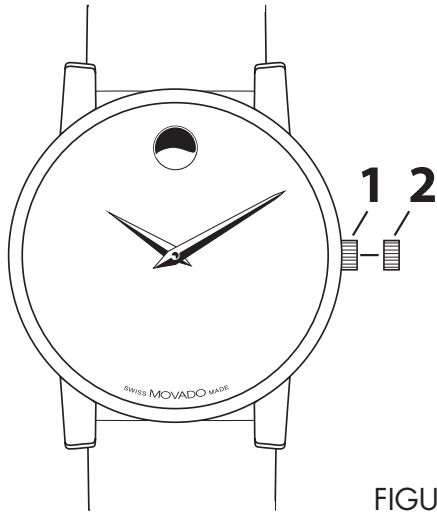


FIGURE A

Crown positions:

Position 1 – Normal running position.
Crown pushed into case.

Position 2 – To set TIME:
Rotate crown in either direction.

To manually wind an automatic movement:

The motion of your arm during normal daily activities should be sufficient to keep the movement of your Movado automatic timepiece wound. However, if you have not worn your watch for 38 hours or more, and the watch has stopped, you will need to wind it by hand before setting the time:

1. With the crown in position 1, turn the crown clockwise approximately 20 revolutions.
2. Reset time following instructions above.

② STANDARD 3-HAND/DATE AND 3-HAND/DAY/DATE MODELS QUARTZ AND AUTOMATIC

Includes Datron, SE, select Series 800, and Vizio PEEK quartz watches, and 1881 Automatic men's, Red Label, and Series 800 Sub-Sea automatics

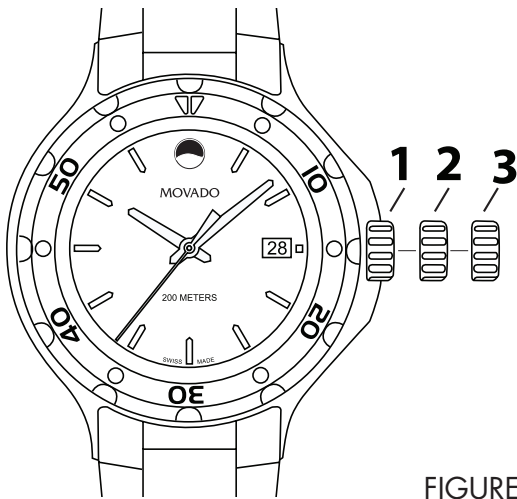


FIGURE A

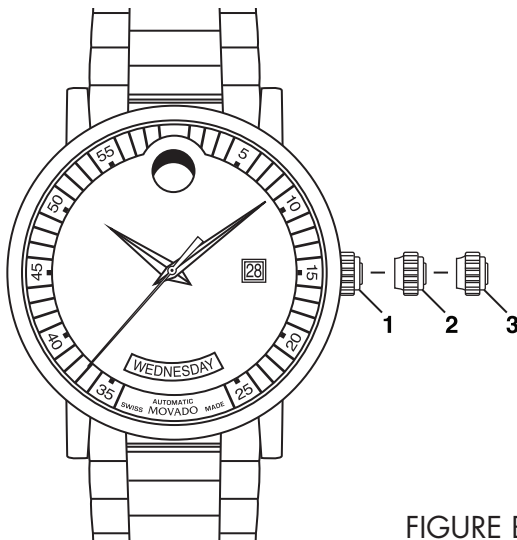


FIGURE B

Crown positions:

Position 1 – Normal running position.

Crown pushed into case.

Position 2 – To set DATE*:

Rotate crown clockwise.

To set DAY*:

Rotate crown counterclockwise.

Position 3 – To set TIME*:

Rotate crown in either direction.

*IMPORTANT: DO NOT set the Date on Vizio PEEK models when the time is between 9:30 PM and 3:00 AM, and automatic calendar changes are already in progress. Doing so could damage the mechanism.

*NOTE: If your watch has a screw-down crown, before you can set the Date (Day/Date) or Time, you must first unlock the crown by turning it counterclockwise approximately six rotations. After Time/Date (Day/Date) setting, the crown must be screwed back down into the case to ensure water resistance.

To manually wind an automatic movement:

The motion of your arm during normal daily activities should be sufficient to keep the movement of your Movado automatic timepiece wound. However, if you have not worn your watch for 38 hours or more, and the watch has stopped, you will need to wind it by hand before setting the time:

1. With the crown in position 1, turn the crown clockwise approximately 20 revolutions.
2. Reset time following instructions above.

③ QUARTZ WORLDTIME MODELS WITH GMT QUICK CHANGE FEATURE

Includes Series 800 Worldtime and BOLD GMT models

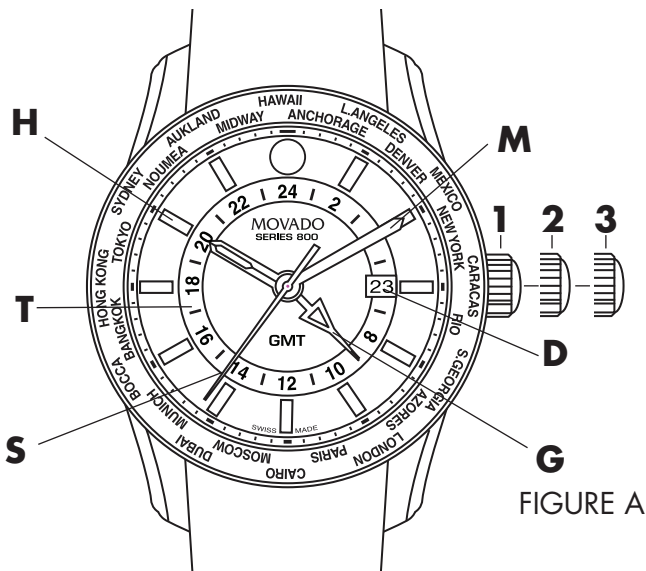


FIGURE A

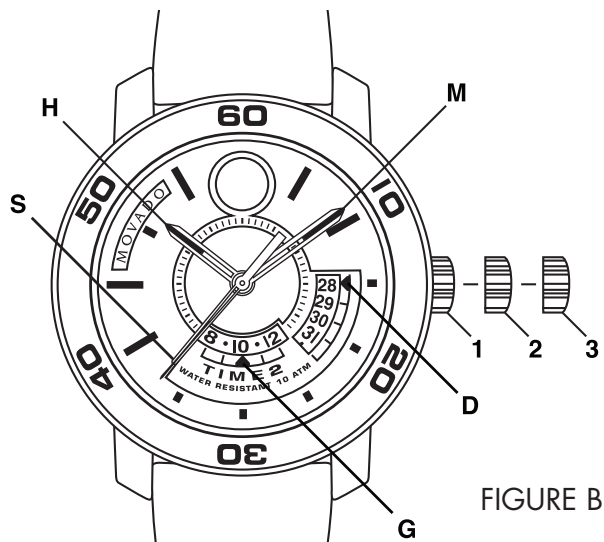


FIGURE B

LEGEND:

- H – Hour hand
- M – Minute hand
- S – Seconds hand
- G – GMT hand/indicator
- D – Date window
- T – 24-hour Universal time scale

Crown positions:

Position 1 – Normal running position; crown pushed into case

Position 2 – Rapid correction of Date and GMT hand:
Turn crown clockwise to change Date **D**
Turn crown counterclockwise to move center-mounted GMT hand **G** around 24-hour scale **T** or to rotate 24-hour disk in GMT indicator subdial

Position 3 – Time-setting position

These models feature a precise Swiss quartz worldtime movement with quick change feature. Local time is indicated by the hour **H**, minute **M** and seconds **S** hands, while the GMT hand/indicator **G** tracks the current 24-hour time of a second time zone. On select models, the second global time zone is indicated on a 24-hour scale **T**. The time zone is selected by turning the unidirectional rotating bezel inscribed with the names of major world cities until the city in the desired zone is aligned at 12 o'clock. On all models, the GMT hand/indicator **G** is adjusted by the crown.

To set the time:

1. Pull crown out to position 3; watch stops.
2. Turn crown in either direction to move hands to desired time.
3. Push crown back in to position 1; watch restarts, now set to correct time.

To correct the date (quick mode):

1. Pull crown out to position 2; watch continues to run.
2. Turn crown clockwise until correct date appears in date window **D** or is indicated in subdial **D**.
3. Push crown back in to position 1.

To set the worldtime GMT indication:

1. Pull crown out to position 2; watch continues to run.
2. Turn crown counterclockwise until arrow-tipped GMT hand **G** points to current correct time in desired second time zone on 24-hour scale **T**, or until current 24-hour time in desired second time zone is indicated in GMT subdial **G**.
3. Push crown back in to position 1.

④ AUTOMATIC 2- AND 3-HAND MODELS WITH ANIMATED DATE

Includes Movado Red Label Calendomatic and Red Label Calendomatic with small seconds

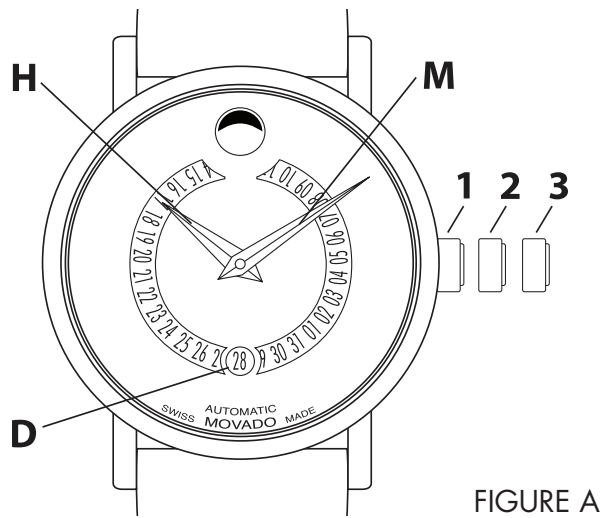


FIGURE A

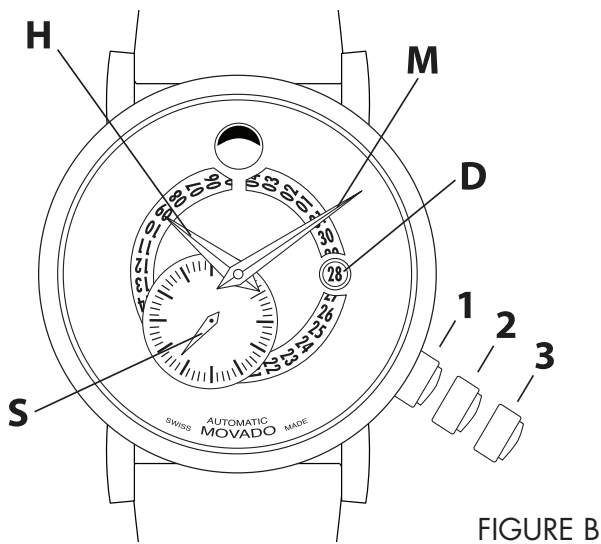


FIGURE B

LEGEND:

H – Hour hand

M – Minute hand

S – Small seconds hand

D – Date window

1, 2, 3 – Crown positions

Crown positions:

Position 1 – Normal running/manual winding position.
Crown pushed into case.

Position 2 – Quick date correction.

Position 3 – Time setting position.

To adjust the time:

1. Pull crown out to position 3; watch (small seconds hand *S* in *Figure B*) stops.
2. Turn crown in either direction to move hands to desired time, making sure highlighted date changes at midnight, not noon.
3. Push crown back in to position 1; watch restarts, now set to correct time.

To correct the date (quick mode):

1. Pull crown out to position 2; watch continues to run.
2. Turn crown clockwise until correct date appears under date highlighter *D*.
3. Push crown back in to position 1.

To manually wind the automatic movement:

The motion of your arm during normal daily activities should be sufficient to keep the movement of your Movado automatic timepiece wound. However, if you have not worn your watch for 38 hours or more, and the watch has stopped, you will need to wind it by hand before setting the time:

1. With the crown in position 1, turn the crown clockwise approximately 20 revolutions.
2. Reset time following instructions above.

⑤ QUARTZ CHRONOGRAPH 1/1 OF A SECOND – TYPE A

Includes 43.5 mm Movado BOLD and Series 800 Sub-Sea quartz chronographs

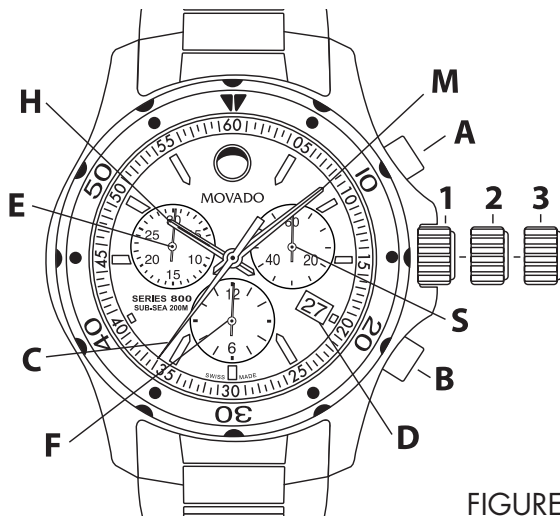


FIGURE A

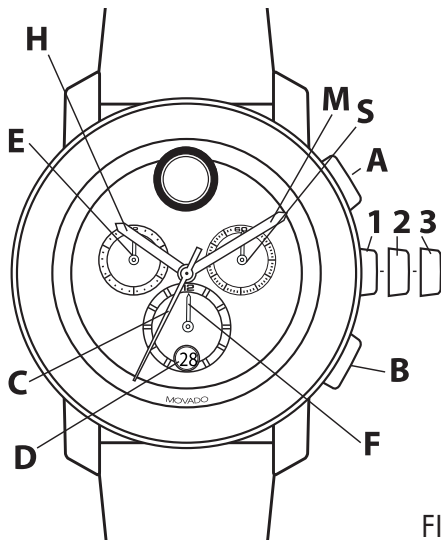


FIGURE B

LEGEND:

- H – Hour hand
- M – Minute hand
- S – Small seconds hand
- C – Chronograph 60-seconds counter
- E – Chronograph 30-minutes counter
- F – Chronograph 12-hours counter
- D – Date window
- 1, 2, 3 – Crown positions
- A – Chronograph push-button (start/stop)
- B – Chronograph push-button (split-time/reset)

These chronograph models feature a minute counter (up to 30), hour counter, and small seconds subdial; center-mounted chronograph seconds hand; and date or big date window. They can be used to time an event up to 12 hours in duration to the nearest second.

TIME/DATE SETTING

To set the time:

1. Unlock screw-down crown on models with this feature. See “Screw-down Crown” for instructions.
2. Pull crown out to position 3; watch stops.
3. Turn crown in either direction until hands indicate desired time.
4. Push crown back in to position 1; watch restarts.
5. Screw crown back into case on models with screw-down crown.

To adjust the time to the exact second:

1. Unlock crown on models with screw-down crown.
2. As soon as small seconds hand S reaches <<60>> position, pull crown out to position 3; watch stops.
3. Turn crown to move hands and set time, making sure date changes at midnight, not noon.
4. Move hands slightly ahead of exact time, then slowly turn crown counterclockwise to align minute hand with correct minute marker.
5. Take an accurate time signal (from a radio news station, for example). When audible tone signals exact time, immediately push crown back in to position 1; watch restarts, now set to the exact time.
6. Screw crown back down into case on models with screw-down crown.

To correct the date (quick mode):

1. Pull unlocked crown out to position 2; watch continues to run.
2. Turn crown clockwise until correct date appears in window D.
3. Push crown back in to position 1 and screw back down into case.

⑤ QUARTZ CHRONOGRAPH 1/1 OF A SECOND – TYPE A

Includes 43.5 mm Movado BOLD and Series 800 Sub-Sea quartz chronographs

NOTE: If date is adjusted between 9:00 PM and 12:00 AM when automatic date changes are already in progress, it should be set to the following day: The date will not automatically advance at midnight if it has been corrected via quick mode during these hours.

To set date/time following a battery change:

1. Pull unlocked screw-down crown out to position 2; watch continues to run.
2. Turn crown clockwise until yesterday's date appears in window **D**.
3. Pull crown out to position 3; watch stops.
4. Turn crown clockwise until today's date appears in window **D**.
5. Continue to turn crown clockwise until hands indicate correct time.

NOTE: Be sure to take AM/PM into account when setting time.

6. Push crown back in to position 1, and screw back down into case.

CHRONOGRAPH FUNCTIONS

Overview

Use buttons **A** and **B** to operate the chronograph. Pressing button **A** the first time will start the chronograph. Pressing button **A** a second time will stop the chronograph, allowing elapsed time to be read. Pressing button **A** a third time will restart the chronograph. Pressing button **B** will reset chronograph hands **C**, **E** and **F** to zero. Adjusting the time does not stop the chronograph, but it does block buttons **A** and **B** for as long as the crown is pulled out.

NOTE: Crown must be in position 1 and hands must be at zero before chronograph is started. Press button **B** to reset hands to zero.

IMPORTANT: Do not push button **A** or **B** when crown is pulled out to position 2 or 3. If button **A** or **B** is accidentally activated while crown is not flush against case, one or more of the chronograph hands may become de-synchronized. Should this occur, follow instructions at end for synchronizing chronograph hands.

Simple chronograph functions:

To measure the duration of a single, non-stop event:

1. Press button **A** to start chronograph.
2. Press button **A** a second time to stop chronograph, and read the 3 chronograph hands to determine elapsed time, for example: 1 hour, 8 minutes, 47 seconds.
3. Press button **B** to reset chronograph hands to zero.

Accumulated time functions:

To measure the combined time of a series of shorter events, for example the actual playing time of a football game, where play is repeatedly interrupted:

1. Press button **A** to start chronograph.
2. Press button **A** a second time to stop chronograph and read elapsed time, for example: 15 minutes, 22 seconds.
3. Press button **A** again to resume measurement.
4. Press button **A** a fourth time to stop chronograph again, and read new elapsed time, for example: 28 minutes, 35 seconds.

NOTE: Each time you stop chronograph, chronograph hands will indicate total accumulated time.

5. Repeat steps 1 and 2 to add each additional interval of time.
6. After you have taken your final accumulated time reading, press button **B** to reset chronograph hands to zero.

⑤ QUARTZ CHRONOGRAPH 1/1 OF A SECOND – TYPE A

Includes 43.5 mm Movado BOLD and Series 800 Sub-Sea quartz chronographs

Split-time or intermediate-time functions:

To take intermediate time readings as a race progresses:

1. Press button **A** to start chronograph.
2. Press button **B** to momentarily stop chronograph.
3. Read off the intermediate time, for example: 11 minutes, 16 seconds.
4. Press button **B** to resume chronograph function. The 3 chronograph hands will quickly catch up with ongoing event.
5. To read a second split time, press button **B** again. Repeat steps 2 through 4 to take any additional split times.
6. Press button **A** to stop chronograph.
7. Take a reading of the final time, for example: 2 hours, 14 minutes, 7 seconds.
8. Press button **B** to reset chronograph hands to zero.

Synchronizing chronograph hands:

After a battery change or in the event of an error, you may need to manually adjust one or more of the chronograph hands to align them all correctly at their zero positions.

NOTES: Once in corrective mode, each press and release on push-button **A** will advance active chronograph hand by one increment. To advance hand rapidly, depress and hold push-button **A**. You may exit correction mode at any time in the sequence by returning crown to position 1, and screwing it back down into the case.

1. Pull unlocked screw-down crown out to position 3.
2. Press and hold push-buttons **A** and **B** simultaneously for at least 2 seconds to enter corrective mode. When chronograph seconds hand **C** rotates 360°, corrective mode is activated; release buttons **A** and **B**.

3. Adjust center-mounted chronograph seconds hand **C** using push-button **A**.
4. When hand **C** reaches zero position, press push-button **B**.
5. Now press push-button **A** to adjust minute counter hand **E**.
6. When hand **E** reaches zero position, press push-button **B**.
7. Use push-button **A** again to adjust hour counter hand **F**.
8. When hand **F** reaches zero position, push crown back in to position 1, and screw back down into case. Timing hands are now synchronized at zero position, and chronograph is ready for use.

⑥ QUARTZ CHRONOGRAPH 1/1 OF A SECOND – TYPE B

Includes Series 800 Sub-Sea Retrograde and Verto retrograde chronographs

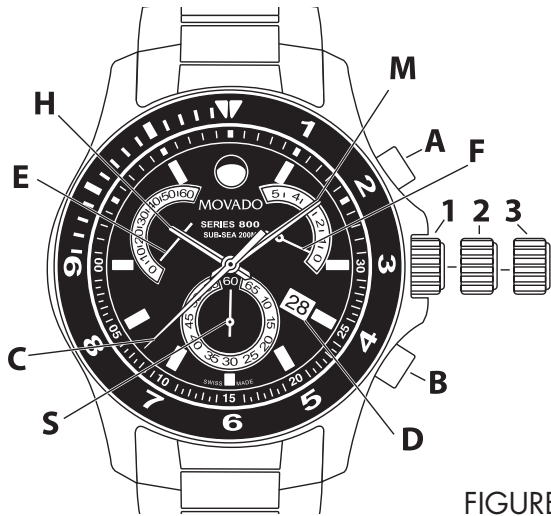


FIGURE A

LEGEND:

- H – Hour hand
- M – Minute hand
- S – Small seconds hand
- C – Chronograph retrograde 30-seconds counter
- E – Chronograph retrograde 60-minutes counter
- F – Chronograph retrograde 5-minutes counter
- D – Date window
- 1, 2, 3 – Crown positions
- A – Chronograph push-button (start/stop)
- B – Chronograph push-button (split-time/reset)

These chronograph models feature a center-mounted retrograde seconds counter (up to 30), two retrograde minutes counters (up to 5 and up to 60), a small seconds subdial, and date window. They can be used to time an event up to 1 hour, 5 minutes and 59 seconds in duration to the nearest second. The chronograph will stop automatically after 2 hours.

TIME/DATE SETTING

Crown positions:

- Position 1 – Normal running position.
Crown screwed-down into case.
- Position 2 – To set DATE:
Rotate crown clockwise.
- Position 3 – To set TIME:
Rotate crown in either direction.

To adjust the time:

1. Unlock screw-down crown. See "Screw-down Crown" for instructions.
2. When small seconds hand S reaches <<60>> position, pull crown out to position 3; watch stops.
3. Turn crown in either direction to move hands and set time, making sure date changes at midnight, not noon.
4. Push crown back in to position 1, and screw back down into case. See "Screw-down Crown" for instructions. Watch will restart, now set to correct time.

To correct the date (quick mode):

1. Unlock screw-down crown. See "Screw-down Crown" for instructions.
2. Pull crown out to position 2; watch continues to run.
3. Turn crown clockwise until correct date appears in window D.
4. Push crown back in to position 1, and screw back down into case. See "Screw-down Crown" for instructions.

⑥ QUARTZ CHRONOGRAPH 1/1 OF A SECOND – TYPE B

Includes Series 800 Sub-Sea Retrograde and Verto retrograde chronographs

CHRONOGRAPH FUNCTIONS

Overview

Use buttons **A** and **B** to operate the chronograph. Pressing button **A** the first time will start the chronograph. Pressing button **A** a second time will stop the chronograph, allowing elapsed time to be read. Pressing button **A** a third time will restart the chronograph. Pressing button **B** will reset chronograph hands **C**, **E** and **F** to zero.

IMPORTANT: Crown must be in position 1, screwed down into case, and counter hands must be at zero before chronograph is started. Press button **B** to reset hands to zero, or, if necessary, reset them following instructions below.

To reset chronograph counters to zero:

All chronograph hands must be in the zero position before you start a timing. Unlock crown and follow these steps as needed to reset the hands of the counters:

60-Minutes counter:

Pull crown to position 2, press and hold push-button **B** and rotate crown clockwise.

30-Seconds counter:

Pull crown to position 3, press and hold push-button **A** and rotate crown clockwise.

5-Minutes counter:

Pull crown to position 3, press and hold push-button **B** and rotate crown clockwise.

Simple chronograph functions:

To measure the duration of a single, non-stop event:

1. Press button **A** to start chronograph.
2. Press button **A** a second time to stop chronograph, and read the chronograph hands to determine elapsed time, for example: 5 minutes, 57 seconds.
3. Press button **B** to reset chronograph hands to zero.

Accumulated time functions:

To measure the combined time of a series of shorter events, for example the actual playing time of a football game, where play is repeatedly interrupted:

1. Press button **A** to start chronograph.
2. Press button **A** a second time to stop chronograph and read elapsed time.
3. Press button **A** again to resume measurement.
4. Press button **A** a fourth time to stop chronograph again, and read new elapsed time.

NOTE: Each time you stop chronograph, chronograph hands will indicate total accumulated time.

5. Repeat steps 1 and 2 to add each additional interval of time.
6. After you have taken your final accumulated time reading, press button **B** to reset chronograph hands to zero.

Split-time or intermediate-time functions:

To take intermediate time readings as a race progresses:

1. Press button **A** to start chronograph.
2. Press button **B** to momentarily stop chronograph.
3. Read off the intermediate time, for example: 6 minutes, 4 seconds.
4. Press button **B** to resume chronograph function; the 3 chronograph hands will quickly catch up with ongoing event.
5. To read a second split time, press button **B** again. Repeat steps 2 through 4 to take any additional split times.
6. Press button **A** to stop chronograph.
7. Take a reading of the final time, for example: 25 minutes, 18 seconds.
8. Press button **B** to reset chronograph hands to zero.

⑦ QUARTZ CHRONOGRAPH 1/5 OF A SECOND – TYPE A

Includes Series 800 women's and 34 mm Movado BOLD chronograph models

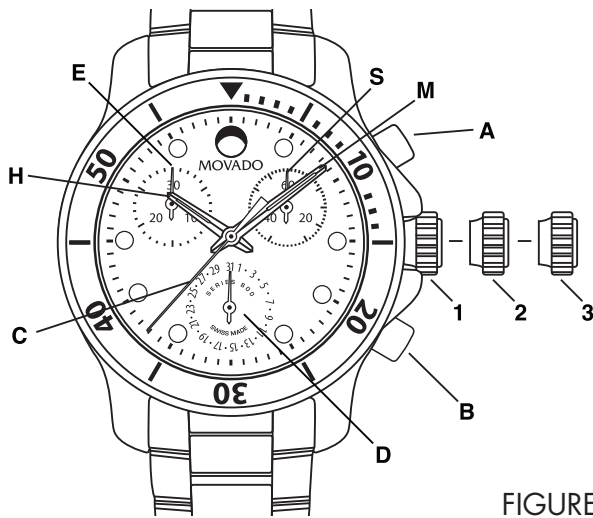


FIGURE A

LEGEND:

- H – Hour hand
- M – Minute hand
- C – Chronograph 1/5 seconds hand
- S – Small seconds hand
- D – Date display
- E – Chronograph 30-minutes counter
- 1, 2, 3 – Crown positions
- A – Chronograph push-button (start/stop)
- B – Chronograph push-button (split-time/reset)

These chronograph models feature a center-mounted fifths-of-a-second chronograph hand, a minute counter (up to 30), and small seconds and date indicator subdials. They can be used to time an event up to 30 minutes in duration to the nearest 1/5 of a second.

To set the TIME:

1. Pull crown out to position 3; watch (small seconds hand **S**) stops.

NOTE: If crown is pulled to position 3 while chronograph is running, timing will stop.

2. Turn crown in either direction to set hour **H** and minute **M** hands to desired time taking AM/PM into account.
3. Push crown back in to position 1; watch restarts.

To set the DATE:

1. Pull crown out to position 2.
 2. Turn crown clockwise to set date **D**.
- CAUTION: Do not set date **D** when hour and minute hands are between 9:00 PM and 12:30 AM; doing so could damage the calendar mechanism. If you must reset date during those hours, first move hour and minute hands to any time outside that period, reset the date, and then reset hands to correct time.
3. Push crown back in to position 1.

To operate the CHRONOGRAPH:

This chronograph is able to measure and display time in 1/5-of-a-second increments up to a maximum of 2 hours (4 revolutions of the 30-minute counter). To save battery life, the chronograph will stop and reset automatically after 2 hours of continuous running.

Simple chronograph functions:

1. Press button **A** to start chronograph; chronograph hands **C** and **E** start moving.
2. Press button **A** a second time to stop chronograph; read elapsed time indicated by hands **C** and **E**.
3. Press button **B** to reset chronograph hands to zero.

⑦ QUARTZ CHRONOGRAPH 1/5 OF A SECOND – TYPE A

Includes Series 800 women's and 34 mm Movado BOLD chronograph models

Accumulated time functions:

To measure the combined time of a series of shorter events, for example the actual playing time of a football game, where play is repeatedly interrupted:

1. Press button **A** to start chronograph.
2. Press button **A** a second time to stop chronograph and read elapsed time.
3. Press button **A** again to resume measurement.
4. Press button **A** a fourth time to stop chronograph again, and read new elapsed time.

NOTE: Each time you stop chronograph, chronograph hands will indicate total accumulated elapsed time.

5. Repeat steps 1 and 2 to add each additional interval of time.
6. After you have taken your final accumulated time reading, press button **B** to reset chronograph hands to zero.

Split-time or intermediate-time functions:

To take intermediate time readings as a race progresses:

1. Press button **A** to start chronograph.
2. Press button **B** to momentarily stop chronograph.
3. Read off the intermediate time, for example:
11 minutes, 16 seconds.
4. Press button **B** to resume chronograph function. The 2 chronograph hands will quickly catch up with ongoing event.
5. To read a second split time, press button **B** again. Repeat steps 2 through 4 to take any additional split times.
6. Press button **A** to stop chronograph.
7. Take a reading of the final time, for example:
24 minutes, 7.2 seconds.
8. Press button **B** to reset chronograph hands to zero.

To RESET Chronograph Hands:

After changing the battery, or in the event of an error, the chronograph hands can be realigned to zero if needed:

NOTE: To advance hands rapidly, press push buttons and hold longer than one second.

Crown position 2:

Adjust minute-counter hand **E** using button **B**.

Crown position 3:

Adjust chronograph fifths-of-a-second hand **C** using button **A**.

⑧ QUARTZ CHRONOGRAPH 1/5 OF A SECOND – TYPE B

Includes 40 mm Movado BOLD Luxe and select 38 mm Movado BOLD chronograph

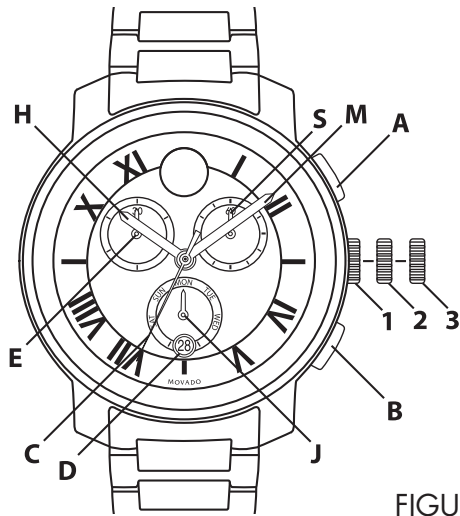


FIGURE A

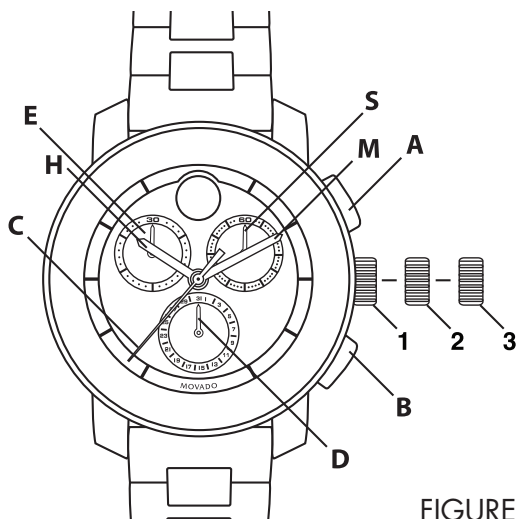


FIGURE B

LEGEND:

- H – Hour hand
- M – Minute hand
- C – Chronograph 1/5 seconds hand
- S – Small seconds hand
- J – Day Indicator Hand
- D – Date Window/Indicator
- E – Chronograph 30-minutes counter
- 1, 2, 3 – Crown positions
- A – Start/Stop
- B – Reset

These chronograph models feature a center-mounted fifths-of-a-second chronograph hand, a minute counter (up to 30) and small seconds subdials; and day indicator subdial with date window (figure A) or date indicator subdial (figure B). They can be used to time an event up to 30 minutes in duration to the nearest 1/5 of a second.

To set the TIME:

1. Pull crown out to position 3; watch (small seconds hand S) stops.

NOTE: If crown is pulled to position 3 while chronograph is running, timing will stop.

2. Turn crown in either direction to set hour H and minute M hands to desired time taking AM/PM into account.
3. Push crown back in to position 1; watch restarts.

To set the DAY (select models, Figure A):

1. Pull crown out to position 3.
2. Turn crown in either direction to set weekday: Day indicator hand J will advance or move back by one day each time hour H and minute M hands pass midnight (24:00).
3. Once hand J indicates correct day, continue turning crown to set hour H and minute M hands to desired time, taking AM/PM into account.
4. Push crown back in to position 1.

To set the DATE:

1. Pull crown out to position 2.
2. Turn crown clockwise (Figure A) or counterclockwise (Figure B) to set date D.

CAUTION: Do not set date D when hour and minute hands are between 9:00 PM and 12:30 AM; doing so could damage the calendar mechanism. If you must reset date during those hours, first move hour and minute hands to any time outside that period, reset the date, and then reset hands to correct time.

3. Push crown back in to position 1.

⑧ QUARTZ CHRONOGRAPH 1/5 OF A SECOND – TYPE B

Includes 40 mm Movado BOLD Luxe and select 38 mm Movado BOLD chronograph

To operate the CHRONOGRAPH:

This chronograph is able to measure and display time in 1/5-of-a-second increments up to a maximum of 2 hours (4 revolutions of the 30-minute counter). To save battery life, the chronograph will stop and reset automatically after 2 hours of continuous running.

Simple chronograph functions:

1. Press button **A** to start chronograph; chronograph hands **C** and **E** start moving.
2. Press button **A** a second time to stop chronograph; read elapsed time indicated by hands **C** and **E**.
3. Press button **B** to reset chronograph hands to zero.

Accumulated time functions:

To measure the combined time of a series of shorter events, for example the actual playing time of a football game, where play is repeatedly interrupted:

1. Press button **A** to start chronograph.
2. Press button **A** a second time to stop chronograph and read elapsed time.
3. Press button **A** again to resume measurement.
4. Press button **A** a fourth time to stop chronograph again, and read new elapsed time.

NOTE: Each time you stop chronograph, chronograph hands will indicate total accumulated elapsed time.

5. Repeat steps 1 and 2 to add each additional interval of time.
6. After you have taken your final accumulated time reading, press button **B** to reset chronograph hands to zero.

Split-time or intermediate-time functions:

To take intermediate time readings as a race progresses:

1. Press button **A** to start chronograph.
2. Press button **B** to momentarily stop chronograph.
3. Read off the intermediate time, for example:
11 minutes, 16.4 seconds.
4. Press button **B** to resume chronograph function. The 2 chronograph hands will quickly catch up with

ongoing event.

5. To read a second split time, press button **B** again. Repeat steps 2 through 4 to take any additional split times.
6. Press button **A** to stop chronograph.
7. Take a reading of the final time, for example:
324 minutes, 7.2 seconds.
8. Press button **B** to reset chronograph hands to zero.

To RESET Chronograph Hands:

After changing the battery, or in the event of an error, the chronograph hands can be realigned to zero if needed:

NOTE: To advance hands rapidly, press push buttons and hold longer than one second.

Crown position 2:

Adjust minute-counter hand **E** using button **B**.

Crown position 3:

Adjust chronograph fifths-of-a-second hand **C** using button **A**.

⑨ QUARTZ CHRONOGRAPH 1/10 OF A SECOND – TYPE A

Includes the Movado Junior Sport quartz chronograph

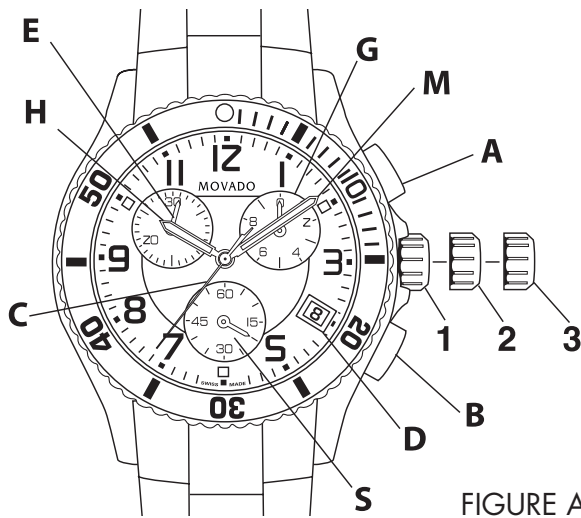


FIGURE A

LEGEND:

- H – Hour hand
- M – Minute hand
- C – Chronograph seconds hand
- E – Chronograph 30-minutes counter
- G – Chronograph tenths-of-a-second counter
- S – Small seconds hand
- D – Date window
- 1, 2, 3 – Crown positions
- A – Chronograph push-button (start/stop)
- B – Chronograph push-button (split-time/reset)

This quartz chronograph model features a tenths-of-a-second counter, minute counter (up to 30), and small seconds subdials; center-mounted chronograph seconds hand; and date window. It can be used to time an event up to 29 minutes and 59.9 seconds in duration to the nearest 1/10 of a second.

TIME/DATE SETTING

To adjust the time:

1. As soon as the small seconds hand **S** in the subdial at 6 o'clock reaches the <<60>> position, pull crown out to position 2; watch stops.

2. Turn crown in either direction to move hands and set the time – check that the date changes at midnight, not at noon.
3. Move the hands slightly ahead of the exact time, then slowly turn the crown counterclockwise to align the minute hand **M** with the correct minute marker.
4. Take an accurate time signal (from a radio news station, for example). When the audible tone signals the exact time, push crown back in to position 1; watch will restart, now set to the exact time.

To correct time zone and date:

IMPORTANT: DO NOT change the date between 10:00 PM and 2:00 AM when automatic calendar changes are in progress. Doing so could damage the movement.

These adjustments will not stop the watch and do not affect the time indicated by the minute and seconds hands.

1. Pull crown out to position 2.
2. Turn crown in either direction to move hour hand **H** one or several hours ahead or back, or to change the time after crossing into another zone.
3. To change the date **D**, advance the hour hand **H** by two complete revolutions, so that the date will change at midnight, not noon.
4. Once the adjustments have been made, return the crown to position 1 immediately.

CHRONOGRAPH FUNCTIONS

Overview

Use buttons **A** and **B** to operate the chronograph. Pressing button **A** the first time will start the chronograph. While the chronograph is running, once chronograph seconds hand **C** has completed one turn, minute-counter hand **E** will jump ahead one minute. Tenths-of-a-second hand **G** does not move when the chronograph is running. Pressing button **A** a second time will stop the chronograph and move hand **G** to

⑨ QUARTZ CHRONOGRAPH 1/10 OF A SECOND – TYPE A

Includes the Movado Junior Sport quartz chronograph

the relevant tenth-of-a-second mark. Pressing button **B** will reset hands **G**, **E** and **C** to zero.

IMPORTANT: Crown must be in position 1, and hands must be at zero before the chronograph is started. If necessary, press button **B** to reset to zero. DO NOT use chronograph while crown is pulled out to position 2 or 3. DO NOT operate chronograph buttons **A** and **B** while the timepiece is under water.

NOTE: Adjusting the time does not stop the chronograph, but it does block buttons **A** and **B** for as long as the stem of crown is pulled out.

Simple chronograph functions:

1. Press button **A** to start chronograph.
2. Press button **A** a second time to stop chronograph.
3. Press button **B** to reset chronograph to zero.

Split-time functions:

You can take intermediate time readings as a race progresses:

1. Press button **A** to start chronograph.
2. Press button **B** to momentarily stop chronograph.
3. Read off the intermediate time.
4. Press button **B** to resume chronograph function.
Hands will catch up with the ongoing event.
5. To read a second split time, press button **B** again.
Repeat steps 2 through 4 to take any additional split times.
6. Press button **A** to stop chronograph.
7. Take a reading of the final time.
8. Press button **B** to reset chronograph to zero.

First place and runner-up results:

These chronograph models also allow you to measure both a winning time and runner-up results:

1. Press button **A** to start chronograph.
2. As soon as the winner crosses finish line, press button **B**. The chronograph will stop.
3. When the second runner crosses finish line, press button **A**.
4. Note the time for the winner as shown on the dial.
5. Then press button **B**; the hands will move up to indicate the time for the runner-up.
6. Press button **B** again to return all hands to zero.

Synchronization of chronograph hands:

After changing the battery, or in the event of an error, the chronograph hands can be realigned to zero if needed:

Crown position 2:

Adjust minute-counter hand **E** using button **B**.

Crown position 3:

Adjust chronograph seconds hand **C** using button **A**.

Adjust tenths-of-a-second counter hand **G** using button **B**.

To advance hands rapidly, press push buttons and hold longer than one second.

⑩ QUARTZ CHRONOGRAPH 1/10 OF A SECOND – TYPE B

Includes the original Series 800 sport and sport elegant, and select Vizio quartz chronographs

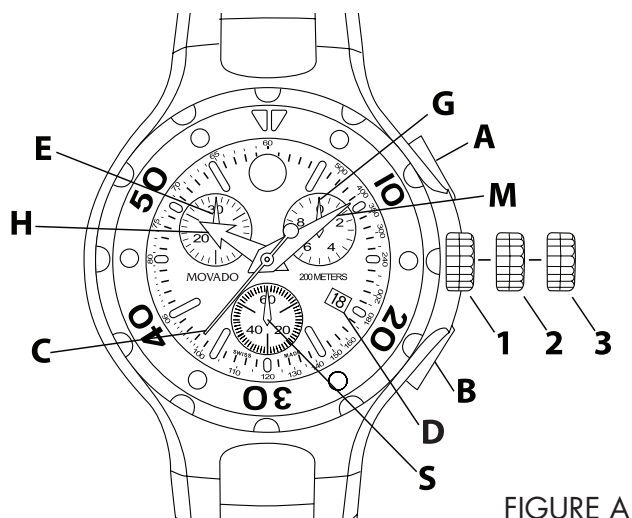


FIGURE A

LEGEND:

- H – Hour hand
- M – Minute hand
- C – Chronograph seconds hand
- E – Chronograph 30-minutes counter
- G – Chronograph tenths-of-a-second counter
- S – Small seconds hand
- D – Date window
- 1, 2, 3 – Crown positions
- A – Chronograph push-button (start/stop)
- B – Chronograph push-button (split-time/reset)

These quartz chronograph models feature a tenths-of-a-second counter, minute counter (up to 30), and small seconds subdials; center-mounted chronograph seconds hand; and date window. They can be used to time an event up to 29 minutes and 59.9 seconds in duration to the nearest 1/10 of a second.

TIME/DATE SETTING

To adjust the time:

1. First unlock screw-down crown; some models only. See "Screw-down Crown" for instructions.
2. As soon as small seconds hand **S** reaches <<60>>

- position, pull crown out to position 3; watch stops.
3. Turn crown to move hands and set time, making sure date changes at midnight, not noon.
4. Move hands slightly ahead of exact time, then slowly turn crown counterclockwise to align minute hand **M** with correct minute marker.
5. Take an accurate time signal (from a radio news station, for example). When audible tone signals exact time, push crown back in to position 1; watch will restart, now set to the exact time.
6. Screw crown back down into case; some models only. See "Screw-down Crown" for instructions.

To correct time zone and date:

1. Pull crown or unlocked screw-down crown out to position 2.
2. Turn crown to move hour hand **H** ahead or back after crossing into another zone, or to correct for daylight savings/standard time change.
3. To change date **D**, advance hour hand **H** by two complete revolutions, otherwise date will change at noon. These adjustments will not stop the watch and do not affect the time indicated by the minute and seconds hands.
4. Once adjustments have been made, return crown to position 1 immediately, then screw crown back down into case on select models.

CHRONOGRAPH FUNCTIONS

Overview

Use buttons **A** and **B** to operate the chronograph. Pressing button **A** the first time will start the chronograph. While the chronograph is running, once the chronograph seconds counter hand **C** has completed one turn, minute-counter hand **E** will jump ahead one minute. Tenths-of-a-second hand **G** does not move when the chronograph is running. Pressing button **A** a second time will stop the chronograph and

⑩ QUARTZ CHRONOGRAPH 1/10 OF A SECOND – TYPE B

Includes the original Series 800 sport and sport elegant, and select Vizio quartz chronographs

move hand **G** to the relevant tenth-of-a-second mark. Pressing button **B** will reset hands **G**, **E** and **C** to zero. Adjusting the time does not stop the chronograph, but it does block buttons **A** and **B** for as long as the crown is pulled out.

IMPORTANT: Crown must be in position 1 and hands must be at zero before chronograph is started. Press button **B** to reset hands to zero. DO NOT push button **A** or **B** while crown is pulled to position 2 or 3. If button **A** or **B** is accidentally activated while crown is not flush against case, one or more of the chronograph hands will become de-synchronized. Should this occur, follow instructions below.

Synchronization of chronograph hands:

After changing the battery, or in the event of an error, the chronograph hands can be realigned to zero if needed. A single push (quick press and release) will advance hands by one increment. To advance hands rapidly, depress and hold push buttons for longer than one second.

Crown position 2:

Adjust minute-counter hand **E** using button **B**.

Crown position 3:

Adjust chronograph seconds hand **C** using button **A**.
Adjust tenths-of-a-second hand **G** using button **B**.

OPERATING THE CHRONOGRAPH

Simple chronograph functions:

1. Press button **A** to start chronograph.
2. Press button **A** a second time to stop chronograph.
3. Press button **B** to reset chronograph to zero.

Accumulated time functions:

1. Press button **A** to start chronograph.
2. Press button **A** a second time to stop chronograph.
3. Press button **A** again to resume measurement.
4. Press button **A** a fourth time to stop chronograph again.

NOTE: Each time you stop chronograph, chronograph hands will indicate total accumulated time.

5. Repeat steps 1 and 2 to add each additional interval of time.
6. After you have taken your final accumulated time reading, press button **B** to reset chronograph hands to zero.

Split-time or intermediate time functions:

You can take intermediate time readings as a race progresses with these models:

1. Press button **A** to start chronograph.
2. Press button **B** to momentarily stop chronograph.
3. Read off the intermediate time, for example: 10 minutes, 26 seconds, 3/10 of a second.
4. Press button **B** to resume chronograph function. Hands will catch up with ongoing event.
5. To read a second split time, press button **B** again. Repeat steps 2 through 4 to take any additional split times.
6. Press button **A** to stop chronograph.
7. Take a reading of the final time, for example: 27 minutes, 3 seconds, 7/10 seconds.
8. Press button **B** to reset chronograph hands to zero.

First place and runner-up results:

These chronograph models also allow you to measure both a winning time and runner-up results:

1. Start chronograph by pressing button **A**.
2. As soon as winner crosses finish line, press button **B**. Chronograph will stop.
3. When second runner crosses finish line, press button **A**.
4. Note time for the winner as shown on the dial.
5. Press button **B**; hands will move up to indicate time for the runner-up.
6. Press button **B** again to return all hands to zero.

⑪ QUARTZ CHRONOGRAPH 1/10 OF A SECOND – TYPE C

Includes Cerena, Datron, Movado BOLD Titanium XL, new Movado Circa, Movado Edge, Movado Parlee Quartz, Movado TC (Thin Classic), Museum Sport, Sapphire Synergy, SE Pilot and Strato quartz chronographs

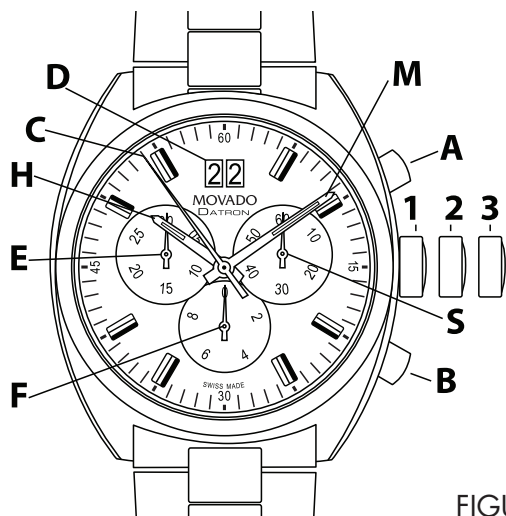


FIGURE A

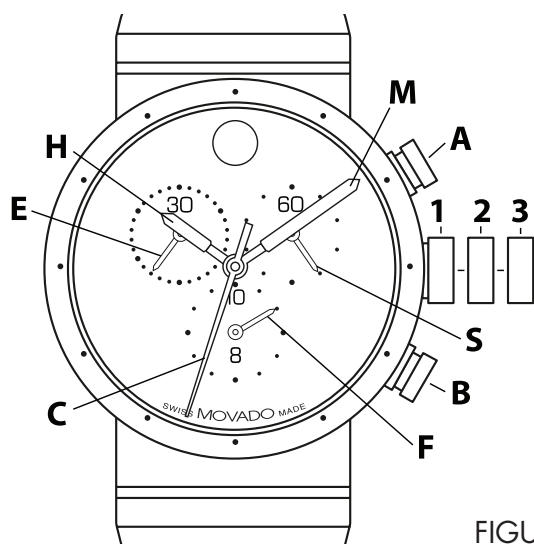


FIGURE B

LEGEND:

- H – Hour hand
- M – Minute hand
- S – Small seconds hand
- C – Chronograph 60-seconds counter
- E – Chronograph 30-minutes counter
- F – Chronograph tenths-of-a-second counter
- D – Big Date window
- 1, 2, 3 – Crown positions
- A – Chronograph push-button (start/stop)
- B – Chronograph push-button (split-time/reset)

These chronograph models feature a minute counter (up to 30), tenths-of-a-second counter which becomes an hour counter after 30 minutes, and small seconds hand subdials, and center-mounted chronograph seconds hand; some have a Big Date feature. They can be used to time an event up to 29 minutes and 59.9 seconds in duration to the nearest 1/10 of a second; or up to 9 hours, 59 minutes and 59 seconds in duration to the nearest full second.

TIME/DATE SETTING

To set the time:

1. Pull crown out to position 3; watch stops.
2. Turn crown in either direction until hands indicate desired time.
3. Push crown back in to position 1; watch restarts.

To adjust the time to the exact second:

1. As soon as small seconds hand S reaches <<60>> position, pull crown out to position 3; watch stops.
2. Turn crown to move hands and set time, making sure date changes at midnight, not noon.
3. Move hands slightly ahead of exact time, then slowly turn crown counterclockwise to align minute hand with correct minute marker.
4. Take an accurate time signal (from a radio news station, for example). When audible tone signals exact time, immediately push crown back in to position 1; watch will restart, now set to the exact time.

To correct the Big Date (quick mode):

Only for models with Big Date feature at 12 o'clock (see *Figure A*)

1. Pull crown out to position 2; watch continues to run.
2. Turn crown clockwise until correct date appears in big date window D.
3. Push crown back in to position 1.

NOTES: If date is adjusted between 9:00 PM and

⑪ QUARTZ CHRONOGRAPH 1/10 OF A SECOND – TYPE C

Includes Cerena, Datron, Movado BOLD Titanium XL, new Movado Circa, Movado Edge, Movado Parlee Quartz, Movado TC (Thin Classic), Museum Sport, Sapphire Synergy, SE Pilot and Strato quartz chronographs

12:00 AM when automatic date changes are already in progress, it should be set to the following day: The date will not automatically advance at midnight if it has been corrected via quick mode during these hours.

If crown is turned too rapidly during quick mode date setting, the date may not change properly at midnight. To correct the date manually, pull crown out to position 2, turn it clockwise until correct date appears in window; then return it to position 1.

Setting date/time following a battery change:

For models without date, follow *To set the time* instructions above.

For models with Big Date feature at 12 o'clock (see *Figure A*):

1. Pull crown out to position 2; watch continues to run.
2. Turn crown clockwise until yesterday's date appears in window **D**.
3. Pull crown out to position 3; watch stops.
4. Turn crown clockwise until today's date appears in window **D**.
5. Continue to turn crown clockwise until hands indicate correct time.

NOTE: Be sure to take AM/PM into account when setting time.

6. Push crown back in to position 1.

CHRONOGRAPH FUNCTIONS

Overview

Use buttons **A** and **B** to operate the chronograph. Pressing button **A** the first time will start the chronograph. Pressing button **A** a second time will stop the chronograph, allowing elapsed time to be read. Pressing button **A** a third time will restart the chronograph. Pressing button **B** will reset chronograph hands **C**, **E** and **F** to zero. Adjusting the time does not stop the chronograph, but it does block buttons **A** and **B** for as long as the crown is pulled out.

NOTE: Crown must be in position 1 and hands must

be at zero before chronograph is started. Press button **B** to reset hands to zero.

IMPORTANT: Do not push button **A** or **B** when crown is pulled out to position 2 or 3. If button **A** or **B** is accidentally activated while crown is not flush against case, one or more of the chronograph hands may become de-synchronized. Should this occur, follow instructions at end for synchronizing chronograph hands.

Simple chronograph functions:

To measure the duration of a single, non-stop event:

1. Press button **A** to start chronograph.
2. Press button **A** a second time to stop chronograph, and read the 3 chronograph hands to determine elapsed time, for example: 4 minutes, 38 seconds, 7/10-of-a-second.
3. Press button **B** to reset chronograph hands to zero.

Accumulated time functions:

To measure the combined time of a series of shorter events, for example the actual playing time of a football game, where play is repeatedly interrupted:

1. Press button **A** to start chronograph.
2. Press button **A** a second time to stop chronograph and read elapsed time, for example: 15 minutes, 5 seconds.
3. Press button **A** again to resume measurement.
4. Press button **A** a fourth time to stop chronograph again, and read new elapsed time, for example: 28 minutes, 10 seconds.

NOTE: Each time you stop chronograph, chronograph hands will indicate total accumulated time.

5. Repeat steps 1 and 2 to add each additional interval of time.
6. After you have taken your final accumulated time reading, press button **B** to reset chronograph hands to zero.

⑪ QUARTZ CHRONOGRAPH 1/10 OF A SECOND – TYPE C

Includes Cerena, Datron, Movado BOLD Titanium XL, new Movado Circa, Movado Edge, Movado Parlee Quartz, Movado TC (Thin Classic), Museum Sport, Sapphire Synergy, SE Pilot and Strato quartz chronographs

Split-time or intermediate-time functions:

To take intermediate time readings as a race progresses:

1. Press button **A** to start chronograph.
2. Press button **B** to momentarily stop chronograph.
3. Read off the intermediate time, for example:
10 minutes, 10 seconds.
4. Press button **B** to resume chronograph function. The 3 chronograph hands will quickly catch up with ongoing event.
5. To read a second split time, press button **B** again. Repeat steps 2 through 4 to take any additional split times.
6. Press button **A** to stop chronograph.
7. Take a reading of the final time, for example: 2 hours, 14 minutes, 7 seconds.
8. Press button **B** to reset chronograph hands to zero.

Synchronizing chronograph hands:

After a battery change or in the event of an error, you may need to manually adjust one or more of the chronograph hands to align them all correctly at their zero positions.

NOTES: Once in corrective mode, each press and release on push-button **A** will advance active chronograph hand by one increment. To advance hand rapidly, depress and hold push-button **A**. You may exit correction mode at any time in the sequence by returning crown to position 1.

1. Pull crown out to position 3.
2. Press and hold push-buttons **A** and **B** simultaneously for at least 2 seconds to enter corrective mode. When chronograph seconds hand **C** rotates 360°, corrective mode is activated; release buttons **A** and **B**.

3. Adjust center-mounted chronograph seconds hand **C** using push-button **A**.
4. When hand **C** reaches zero position, press push-button **B**.
5. Now press push-button **A** to adjust tenths-of-a-second chronograph hand **F**.
6. When hand **F** reaches zero position, press push-button **B**.
7. Use push-button **A** again to adjust minute counter hand **E**.
8. When hand **E** reaches zero position, push crown back in to position 1. Timing hands are now synchronized at zero position, and chronograph is ready for use.

⑫ QUARTZ CHRONOGRAPH 1/10 OF A SECOND – TYPE D

Includes Verto and select 38 mm Movado BOLD quartz chronographs

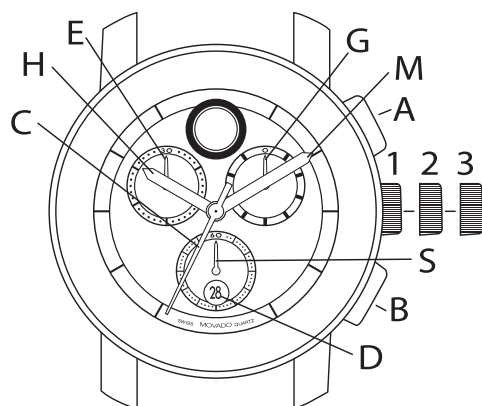


FIGURE A

LEGEND:

- H – Hour hand
- M – Minute hand
- C – Chronograph seconds hand
- E – Chronograph 30-minutes counter
- G – Chronograph tenths-of-a-second counter
- S – Small seconds hand
- D – Date window
- 1, 2, 3 – Crown positions
- A – Chronograph push-button (start/stop)
- B – Chronograph push-button (split-time/reset)

These quartz chronograph models feature a tenths-of-a-second counter, minute counter (up to 30), and small seconds subdials; center-mounted chronograph seconds hand; and date window. They can be used to time an event up to 30 minutes and 60 seconds in duration to the nearest 1/10 of a second.

TIME/DATE SETTING

To set the time:

1. Pull crown out to position 3; watch stops.
2. Turn crown in either direction until hands indicate desired time – check that the date changes at midnight, not at noon.

NOTE: Date **D** will advance by one each time hour hand **H** completes two clockwise revolutions, passing midnight.

3. Push crown back in to position 1; watch restarts.

To adjust the date rapidly using crown:

1. Pull crown out to position 2; watch stops.
2. Turn crown counterclockwise to advance date.
3. When correct date is displayed in window **D**, push crown back in to position 1; watch restarts.

CHRONOGRAPH FUNCTIONS

Overview

Use buttons **A** and **B** to operate the chronograph. Pressing button **A** the first time will start the chronograph. While the chronograph is running, once the chronograph seconds counter hand **C** has completed one turn, minute-counter hand **E** will jump ahead one minute. Tenths-of-a-second hand **G** does not move when the chronograph is running. Pressing button **A** a second time will stop the chronograph and move hand **G** to the relevant tenth-of-a-second mark. Pressing button **B** will reset hands **G**, **E** and **C** to zero. Adjusting the time does not stop the chronograph, but it does block buttons **A** and **B** for as long as the crown is pulled out.

IMPORTANT: Crown must be in position 1 and hands must be at zero before chronograph is started. Press button **B** to reset hands to zero. **DO NOT** push button **A** or **B** while crown is pulled to position 2 or 3. If button **A** or **B** is accidentally activated while crown is not flush against case, one or more of the chronograph hands will become de-synchronized. Should this occur, follow instructions below.

Synchronization of chronograph hands:

After changing the battery, or in the event of an error, the chronograph hands can be realigned to zero if needed. A single push (quick press and release) will

⑫ QUARTZ CHRONOGRAPH 1/10 OF A SECOND – TYPE D

Includes Verto and select 38 mm Movado BOLD quartz chronographs

advance hands by one increment. To advance hands rapidly, depress and hold push buttons for longer than one second.

Crown position 2:

Adjust minutes-counter hand **E** using button **B**.

Crown position 3:

Adjust chronograph seconds hand **C** using button **A**.

Adjust tenths-of-a-second hand **G** using button **B**.

OPERATING THE CHRONOGRAPH

Simple chronograph functions:

1. Press button **A** to start chronograph.
2. Press button **A** a second time to stop chronograph; read time.
3. Press button **B** to reset chronograph to zero.

Accumulated time functions:

1. Press button **A** to start chronograph.
2. Press button **A** a second time to stop chronograph.
3. Press button **A** again to resume measurement.
4. Press button **A** a fourth time to stop chronograph again.

NOTE: Each time you stop chronograph, chronograph hands will indicate total accumulated time.

5. Repeat steps 1 and 2 to add each additional interval of time.
6. After you have taken your final accumulated time reading, press button **B** to reset chronograph hands to zero.

Split-time or intermediate time functions:

You can take intermediate time readings as a race progresses with these models:

1. Press button **A** to start chronograph.
2. Press button **B** to momentarily stop chronograph.
3. Read off the intermediate time, for example: 10 minutes, 26 seconds, 3/10 of a second.
4. Press button **B** to resume chronograph function.
Hands will catch up with ongoing event.
5. To read a second split time, press button **B** again. Repeat steps 2 through 4 to take any additional split times.
6. Press button **A** to stop chronograph.
7. Take a reading of the final time, for example: 27 minutes, 3 seconds, 7/10 seconds.
8. Press button **B** to reset chronograph hands to zero.

⑬ ANA-DIGI QUARTZ CHRONOGRAPH 1/100 OF A SECOND

Includes the Movado Dura ana-digi quartz chronograph

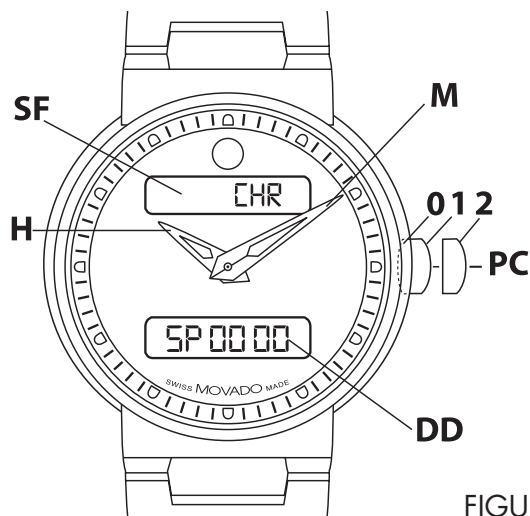


FIGURE A

LEGEND:

- H – Hour hand
- M – Minute hand
- SF – Indication of selected function
- DD – Digital display
- PC – Setting crown

Crown Positions:

- 0 – Pushed into case
 - Press to arm/disarm Alarm
 - Press to start/stop/reset Chronograph
- 1 – Neutral position
 - Rotate crown to select function
- 2 – Pulled-out position
 - Rotate crown to simultaneously correct lower Digital Display indication and position of analog watch hands

GETTING STARTED

This analog/digital chronograph features an upper selected function indicator display (SF), a lower 6-digit LCD (liquid crystal display) digital information display (DD), and a unique programming crown (PC) that allows you to move between, select and operate the different functions. The chronograph function may be used to time an event up to 47 hours, 59 minutes and

59.99 seconds in duration.

IMPORTANT: Never operate the setting crown when the timepiece is underwater. Make sure the crown is returned to position 1 (neutral position) after each use.

Selecting the functions:

With crown in position 1 (neutral position), turn it in either direction to select a function. When the crown is turned counterclockwise, the available functions will appear in the upper display in this sequence:

1: Neutral (no display) → 2: Local Time H-M-S → 3: Seconds/Date → 4: Day/Date → 5: Timer **TM** → 6: Second Time Zone **T2** → 7: Chrono **ADD** Mode **CHR** → 8: Chrono **SPLIT** Mode **CHR** → 9: Alarm **AL**.

If the crown is turned clockwise, the functions will appear in the opposite order.

NOTE: This timepiece is equipped with a battery end-of-life indicator: The digital display will begin to flash when the battery is nearing the end of its life, signaling the need to have it replaced promptly.

Synchronizing analog hands with digital display:

After a battery change, or in the event of an error, you may need to synchronize the time indicated by the analog watch hands with the time shown in the digital display:

1. With crown in position 1, select neutral function (no digital information displayed).
2. Pull crown out to position 2: the symbol **R** will appear in upper display.
3. Turn crown in either direction until hands indicate the same time as the numerals in the digital display: a rapid rotation will advance or reverse the hour hand by a full hour; a slower rotation enables adjustment of the minutes.
4. Push crown back in to position 1 (neutral position), then turn it to select function for Local Time setting.
5. Proceed to time setting.

⑬ ANA-DIGI QUARTZ CHRONOGRAPH 1/100 OF A SECOND

Includes the Movado Dura ana-digi quartz chronograph

Checking/changing time display mode:

The digital time can be displayed in either 12-hour (AM/PM) or 24-hour mode:

1. With crown in position 1, select **T2** function.
2. Push crown in once: If letter **A** or **P** appears, the time is being displayed in the 12-hour mode.

NOTE: When in 12-hour display mode, a small letter **P** appears next to the numerals indicating the time when it is between noon and midnight.

3. Push crown in twice to return to/select 24-hour mode.

DIGITAL TIME AND DATE SETTING

Setting the hours and minutes:

1. Select and display local time.
2. Pull crown out to position 2: the symbol **T** appears in upper display; the numerals indicating hours and minutes flash in lower display.
3. Turn crown in either direction to change the lower digital time display: a rapid rotation changes the hour display; a slower rotation adjusts the minute display.

NOTE: Analog watch hands will move in synch with digital time display.

4. When correct hours and minutes appear in lower digital display, push crown back to position 1.

Setting the exact second:

1. Select and display local time.
2. Pull crown out to position 2: the symbol **T** appears in upper display; the numerals for hours and minutes flash in lower display.
3. Push crown in to position 1: The numerals displaying the seconds will flash for 1 minute.
4. While the seconds are flashing, take an accurate time signal (from a radio news station, for example). The instant the audible tone signals the exact time, push crown in to position 0. The numerals displayed for the seconds will reset to zero (00).

NOTE: If the numerals have been flashing between 0 and 30 seconds when you push the crown to reset the seconds, the time will be set to the current minute. If the seconds have been flashing between 31 and 60 seconds before you push the crown, the time will be adjusted to the next minute. Once the seconds are set, check the display and if necessary, correct the time if by plus/minus one minute.

Setting the date and month:

1. Select the Seconds/Date function.
2. Pull crown out to position 2: The seconds will disappear; the numeral for the month appears next to the date; both numerals flash.
3. Turn crown in either direction: A rapid rotation changes the month; a slow rotation changes the date.
4. Push crown back in to position 1 (neutral position): The month display disappears and the seconds display reappears.

NOTE: Even though the month is not displayed while the watch is being used in normal mode, it must be set for the perpetual calendar function (up to 2099) to work properly.

Correcting the day:

1. Select the Day-Date function.
2. Pull crown out to position 2: A letter indicating the language in which the day is displayed (**E** = English, **F** = French, **S** = Spanish, **D** = German) appears in place of the date; the language and year flash.
3. Turn crown in either direction to reach desired language and year: A rapid rotation changes the language; a slow rotation changes the year.
4. Push crown back in to position 1 (neutral position): The language and year disappear; the day of the week and date reappear.

NOTE: If the date, month and year are set, the correct

⑬ ANA-DIGI QUARTZ CHRONOGRAPH 1/100 OF A SECOND

Includes the Movado Dura ana-digi quartz chronograph

day of the week will appear automatically as part of the perpetual calendar function.

Using the countdown timer:

1. Select the Timer **TM** function.
2. Pull crown out to position 2: The numerals indicating hours and minutes start to flash in lower display.
3. Turn crown in either direction to set how much time you want to count down: A rapid rotation changes the hours; a slow rotation changes the minutes.
4. Push crown back in to position 1 (neutral position): The countdown function starts automatically; the watch alarm will ring when the preset time period has elapsed.
5. Push crown in to position 0 to stop the alarm.

NOTE: The countdown function can be cancelled at any time by pushing the crown in to position 0 and holding it down for more than 2 seconds. A running countdown can be restarted by pushing the crown in once.

Displaying the time in another time zone:

In addition to the local time, you can display the time in a second time zone with this timepiece:

1. Select the Second Time Zone **T2** function.
2. Pull crown out to position 2: The numerals indicating hours and minutes for the second time zone start to flash in lower display.
3. Turn crown in either direction to change the flashing settings: A rapid rotation changes the hours; a slow rotation changes the minutes.
4. Push crown back in to position 1 (neutral position).

NOTES: The seconds display cannot be adjusted for a second time zone: the display will show the same seconds as the local time setting.

The time zone display is corrected in ½-hour increments.

When reading the time shown for a second time zone, you'll need to take into account whether the watch is

operating in 12-hour (AM/PM) or 24-hour mode.

Changing the time zone:

When you change the time zone, or in the event automatic daylight savings time changes do not occur, you may adjust the hour indicated by the lower digital display and analog watch hands forward or back by several hours without affecting the digital minutes and seconds display. To do so:

1. Select and display local time.
2. Pull crown out to position 2: the symbol **T** appears in upper display; the numerals indicating hours and minutes flash in lower display.
3. Turn crown rapidly in either direction to change the lower digital hour display; the analog watch hands will move simultaneously to synchronize with the digital display.
4. When correct hour appears in lower digital display, push crown back to position 1.

NOTE: In the event that the movement does not adjust automatically for a daylight savings time change, you will also need to adjust the second time zone accordingly.

USING THE CHRONOGRAPH

Overview

This digital chronograph may be used to time an event up to 47 hours, 59 minutes and 59.99 seconds in duration in one of two modes.

To operate the Chronograph, select the Chronograph function **CHR** in either the **ADD (Ad)** Mode (to take an accumulated time reading) or the **SPLIT (SP)** Mode (to measure intermediate times during an ongoing event.) The chronograph counter is started/stopped/restarted by consecutive pushes on the crown.

To reset the digital display counter to zero, push the crown and hold it down for more than 2 seconds.

NOTES: You can use only one of the two

⑬ ANA-DIGI QUARTZ CHRONOGRAPH 1/100 OF A SECOND

Includes the Movado Dura ana-digi quartz chronograph

Chronograph functions – **ADD** or **SPLIT** – at a time; they cannot be used simultaneously. To switch to the other mode, you must first stop the chronograph and reset the counter display to zero. However you can select and use the other timepiece functions while the chronograph is running.

Choosing a mode:

In **ADD** Mode, you can start and stop the counter to measure the combined time of a series of shorter events, for example the actual playing time of a football game, where play is repeatedly interrupted. Each time you stop the counter, the timing is halted: it does not continue to track elapsed time.

In **SPLIT** Mode, you can take intermediate time readings as a continuing event, a race for example, progresses. The chronograph will continue to track the elapsed time in the background while the intermediate time reading is displayed. When the crown is pushed again, the counter display will change to reflect the ongoing elapsed time.

Reading the display:

When the chronograph is running in either mode – **ADD** or **SPLIT** – the counter display will show the following information:

Timed period < 1 minute:

SP or **Ad** Mode – seconds + hundredths.
(Ex: "Ad 05 58")

Timed period > 1 minute and < 1 hour:

SP or **Ad** Mode – Ad and minutes + seconds + hundredths appear alternately.
(Ex: "Ad" and "05 50 36" alternate)

Timed period > 1 hour and < 48 hours:

SP or **Ad** Mode – minutes – seconds – hundredths appear alternately.
(Ex: "01 35 28" and "Ad 55" alternate)

USING THE ALARM

Setting the alarm:

1. Select the Alarm **AL** function.
2. Pull crown out to position 2: The numerals indicating hours and minutes start to flash in lower display.
3. Turn crown in either direction to set the Alarm to the desired time: A rapid rotation changes the hours; a slow rotation changes the minutes.
4. Push crown back in to position 1 (neutral position): The alarm is now set, and **AL** appears in the lower display.
5. Push crown in to position 0 to stop the alarm.

NOTE: The countdown function can be cancelled at any time by pushing the crown in to position 0 and holding it down for more than 2 seconds. A running countdown can be restarted by pushing the crown in once.

Turning the alarm on or off:

To activate or deactivate the alarm, select the Alarm **AL** function, then push on the crown.

The display will indicate whether the alarm is turned on or off after each push:

AL shows on display – alarm is activated to go off at set time.

OF shows on display – alarm is turned off.

To silence the alarm when it goes off, push down on the crown.

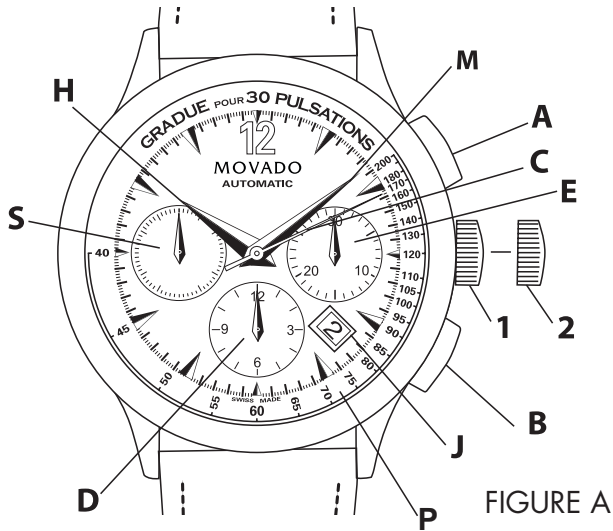
NOTE: Please take into account whether the watch is operating in 12-hour (AM/PM) or 24-hour mode when setting the alarm and when reading the time it is set to go off.

Testing the alarm:

Select the Alarm **AL** function, then push and hold the crown down for more than 2 seconds: the alarm will start to sound. Release the crown to stop the alarm test.

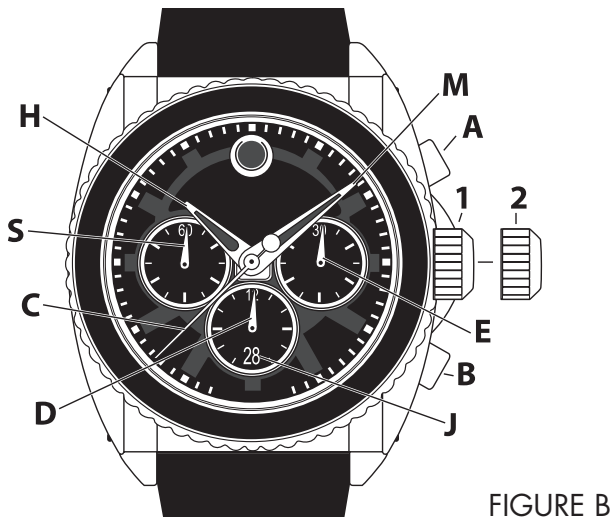
⑭ AUTOMATIC CHRONOGRAPH 1/1 OF A SECOND – TYPE A

Includes original Movado Circa, Movado Master and Vizio automatic chronographs

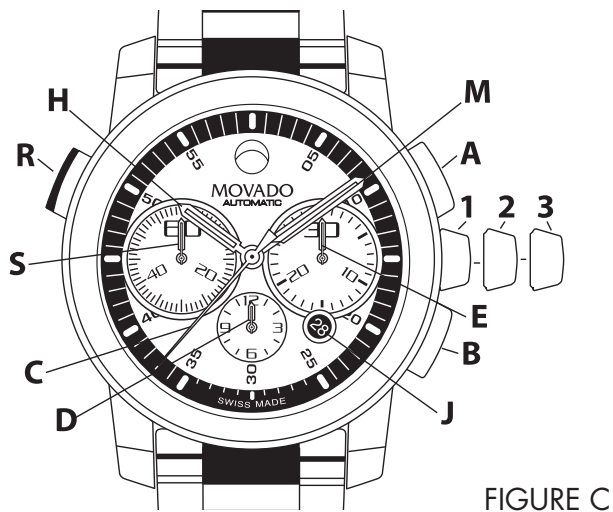


LEGEND:

- H – Hour hand
- M – Minute hand
- S – Small seconds hand
- C – Chronograph seconds counter
- D – Chronograph 12-hour counter
- E – Chronograph 30-minutes counter
- J – Date display
- P – 30 pulsations graduation
- 1, 2, 3 – Crown positions
- A – Chronograph push-button (start/stop)
- B – Chronograph push-button (split-time/reset)
- R – Rapid correction of date



These automatic chronograph models feature a fine 27-jewel Swiss movement with 48-hour power reserve, minute counter (up to 30), hour counter, and small seconds subdials; center-mounted chronograph seconds hand, and date display. Some models have a rapid date corrector button, while select other models have a heart rate bezel scale that can be used to calculate your pulse rate. They can all be used to time an event up to 12 hours, 30 minutes and 29 seconds in duration to the nearest second.



NOTE: The motion of your arm during normal daily activities should be sufficient to keep an automatic timepiece wound. However, if you have not worn your watch for more than 48 hours and it has stopped, you will need to wind your chronograph movement by hand before setting the time or operating the chronograph functions:

1. With the crown in position 1, flush against the case, turn the crown clockwise approximately 20 revolutions.
2. Reset time following instructions below.

⑭ AUTOMATIC CHRONOGRAPH 1/1 OF A SECOND – TYPE A

Includes original Movado Circa, Movado Master and Vizio automatic chronographs

TIME/DATE SETTING

To set the time:

1. Pull crown out to position 2; watch stops.
2. Turn crown in either direction to move hands to desired time – check that the date changes at midnight, not at noon.
3. Push crown back in to position 1; watch restarts.

To adjust the date rapidly using crown:

(see Figures A and B)

1. Pull crown out to position 2; watch stops.
2. Turn crown to move hands back and forth between the hours of 9:00 PM (21H) and just past midnight (24H); each time the hands hit midnight, the date will advance by one.
3. When correct date is displayed in window J, push crown back in to position 1; watch restarts.

To adjust the date rapidly using corrector (select models only): (see Figure C)

IMPORTANT: DO NOT use the date corrector button between 8:30 PM (20:30H) and 11:00 PM (23H) when automatic calendar changes are in progress.

Doing so could damage the movement.

1. Depress date corrector button R, located along the side of the case at 10 o'clock; each push and release of button R will advance the date in window J by one.

CHRONOGRAPH FUNCTIONS

Overview

Use buttons A and B to operate the chronograph. Pressing button A the first time will start the chronograph. While the chronograph is running, the three chronograph counter hands will sweep continuously, indicating the number of currently elapsed seconds (hand C), minutes up to 30 (hand E), and hours up to 12 (hand D). Pressing button A a second time will stop the chronograph. Pressing button B will reset hands C, E and D to zero.

IMPORTANT: The crown must be in position 1, and hands must be at zero before the chronograph is started. If necessary, press button B to reset to zero.

DO NOT use chronograph while crown is pulled out to position 1.

DO NOT operate chronograph buttons A and B while timepiece is under water.

NOTE: Hand S is the seconds hand for standard time-keeping. It is not part of the chronograph function, and therefore will run continuously while the crown is in position 1.

Simple chronograph functions:

1. Press button A to start chronograph.
2. Press button A a second time to stop chronograph.
3. Press button B to reset chronograph to zero.

Accumulated time functions:

To measure the combined time of a series of shorter events, for example the actual playing time of a football match, where play is repeatedly interrupted:

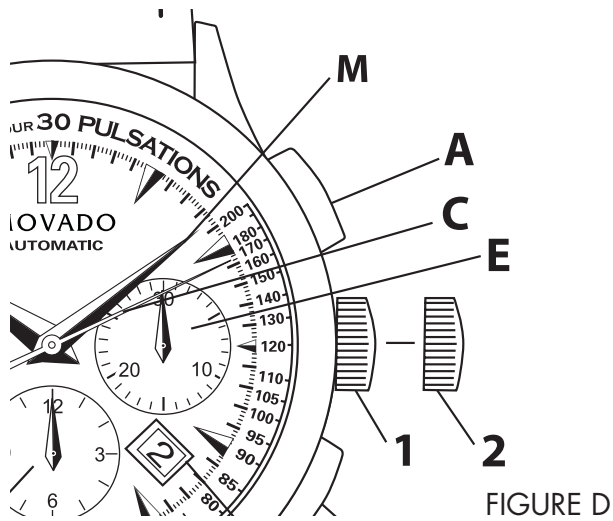
1. Press button A to start chronograph.
2. Press button A a second time to stop chronograph.
3. Press button A again to resume measurement.
4. Press button A a fourth time to stop chronograph again.

NOTE: Each time you stop chronograph, chronograph hands will indicate total accumulated time.

5. Repeat steps 1 and 2 to add each additional interval of time.
6. After you have taken your final accumulated time reading, press button B to reset chronograph hands to zero.

⑭ AUTOMATIC CHRONOGRAPH 1/1 OF A SECOND – TYPE A

Includes original Movado Circa, Movado Master and Vizio automatic chronographs



To measure your heart rate (select models only):

(see Figure D)

Your Movado automatic chronograph may also feature an inner bezel ring calibrated to measure your heart rate, using the chronograph seconds hand **C**:

1. If necessary, press button **B** to reset chronograph to zero.
2. Find your pulse.
3. Press button **A**, count off 30 heart beats, then immediately press button **A** a second time.
4. Your heart rate (beats per minute) is the number indicated by chronograph seconds hand **C** on the graduated inner bezel ring. For example, 9 seconds = 200 beats/minute, and 45 seconds = 40 beats/minute.
5. Press button **B** to reset all chronograph hands to zero.

⑮ AUTOMATIC CHRONOGRAPH 1/1 OF A SECOND – TYPE B

Includes new SE automatic chronographs

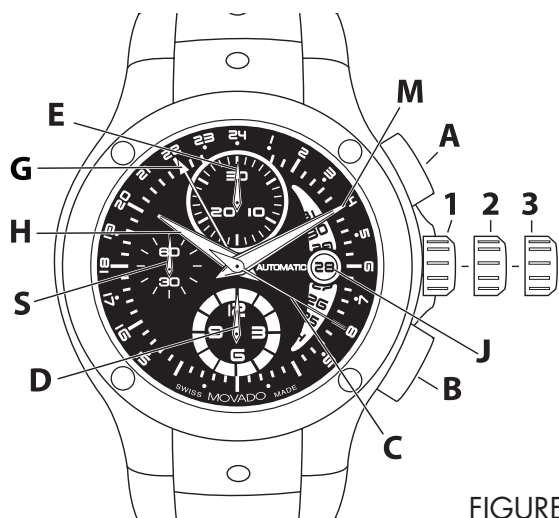


FIGURE A

LEGEND:

- H – Hour hand
- M – Minute hand
- S – Small seconds hand
- C – Chronograph seconds counter
- G – 24-Hour hand
- D – Chronograph 12-hour counter
- E – Chronograph 30-minutes counter
- J – Date display
- 1, 2, 3 – Crown positions
- A – Chronograph push-button (start/stop)
- B – Chronograph push-button (split-time/reset)

These automatic chronograph models feature a fine 25-jewel Swiss movement with 48-hour power reserve, minute counter (up to 30), hour counter, and small seconds subdials; center-mounted chronograph seconds hand, and date display. They can be used to time an event up to 12 hours, 30 minutes and 59 seconds in duration to the nearest second.

NOTE: The motion of your arm during normal daily activities should be sufficient to keep an automatic timepiece wound. However, if you have not worn your watch for more than 48 hours and it has

stopped, you will need to wind your chronograph movement by hand before setting the time or operating the chronograph functions:

1. With the crown in position 1, flush against the case, turn the crown clockwise approximately 20 revolutions.
2. Reset time following instructions below.

TIME/DATE SETTING

To set the time:

1. Pull crown out to position 3; watch stops.
2. Turn crown in either direction to move hands to desired time – check that the date changes at midnight, not at noon.
3. Push crown back in to position 1; watch restarts.

To adjust the date rapidly:

IMPORTANT: DO NOT change the date rapidly between 8:00 PM (20H) and 2:00 AM (2H) when automatic calendar changes are in progress. Doing so could damage the movement.

1. Pull crown out to position 2.
2. Turn crown clockwise to change the date J.

NOTE: Turning the crown in the opposite direction (counter-clockwise) will change the 24-hour hand G.

3. When correct date is displayed in window J, push crown back in to position 1.

CHRONOGRAPH FUNCTIONS

Overview

Use buttons A and B to operate the chronograph. Pressing button A the first time will start the chronograph. While the chronograph is running, the three chronograph counter hands will sweep continuously, indicating the number of currently elapsed seconds (hand C), minutes up to 30 (hand E), and hours up to 12 (hand D). Pressing button A a second time will stop the chronograph. Pressing button B will

⑮ AUTOMATIC CHRONOGRAPH 1/1 OF A SECOND – TYPE B

Includes new SE automatic chronographs

reset hands **C**, **E** and **D** to zero.

IMPORTANT: The crown must be in position 1, and hands must be at zero before the chronograph is started. If necessary, press button **B** to reset to zero.

DO NOT use chronograph while crown is pulled out to position 2 or 3. DO NOT operate chronograph buttons **A** and **B** while timepiece is under water.

NOTE: Hand **S** is the seconds hand for standard time-keeping. It is not part of the chronograph function, and therefore will run continuously while the crown is in position 1.

Simple chronograph functions:

1. Press button **A** to start chronograph.
2. Press button **A** a second time to stop chronograph.
3. Press button **B** to reset chronograph to zero.

Accumulated time functions:

To measure the combined time of a series of shorter events, for example the actual playing time of a football match, where play is repeatedly interrupted:

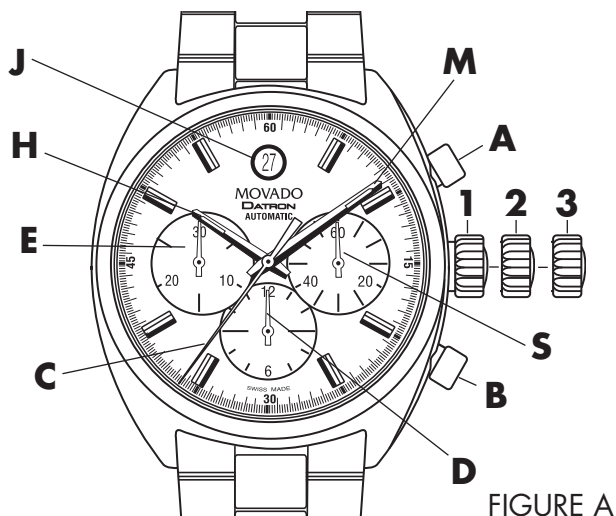
1. Press button **A** to start chronograph.
2. Press button **A** a second time to stop chronograph.
3. Press button **A** again to resume measurement.
4. Press button **A** a fourth time to stop chronograph again.

NOTE: Each time you stop chronograph, chronograph hands will indicate total accumulated time.

5. Repeat steps 1 and 2 to add each additional interval of time.
6. After you have taken your final accumulated time reading, press button **B** to reset chronograph hands to zero.

⑩ AUTOMATIC CHRONOGRAPH 1/1 OF A SECOND – TYPE C

Includes new Datron automatic chronographs



LEGEND:

- H – Hour hand
- M – Minute hand
- S – Small seconds hand
- C – Chronograph seconds counter
- D – Chronograph 12-hour counter
- E – Chronograph 30-minutes counter
- J – Date display
- 1, 2, 3 – Crown positions
- A – Chronograph push-button (start/stop)
- B – Chronograph push-button (split-time/reset)

These automatic chronograph models feature a fine 37-jewel Swiss movement with 42-hour power reserve, minute counter (up to 30), hour counter (up to 12), and small seconds subdials; center-mounted chronograph seconds hand, and date display. They can be used to time an event up to 12 hours, 30 minutes and 59 seconds in duration to the nearest second.

NOTE: The motion of your arm during normal daily activities should be sufficient to keep an automatic timepiece wound. However, if you have not worn your watch for more than 48 hours and it has stopped, you will need to wind your chronograph movement by hand before setting the time or operating the

chronograph functions:

1. With the crown in position 1, flush against the case, turn the crown clockwise approximately 20 revolutions.
2. Reset time following instructions below.

TIME/DATE SETTING

To set the time:

1. Pull crown out to position 3; watch stops.
2. Turn crown in either direction to move hands to desired time – check that the date changes at midnight, not at noon.
3. Push crown back in to position 1; watch restarts.

To adjust the date rapidly:

1. Pull crown out to position 2.
2. Turn crown in either direction to change the date.
3. When correct date is displayed in window J, push crown back in to position 1.

CHRONOGRAPH FUNCTIONS

Overview

Use buttons **A** and **B** to operate the chronograph. Pressing button **A** the first time will start the chronograph. While the chronograph is running, the three chronograph counter hands will sweep continuously, indicating the number of currently elapsed seconds (hand **C**), minutes up to 30 (hand **E**), and hours up to 12 (hand **D**). Pressing button **A** a second time will stop the chronograph. Pressing button **B** will reset hands **C**, **E** and **D** to zero.

IMPORTANT: The crown must be in position 1, and hands must be at zero before the chronograph is started. If necessary, press button **B** to reset to zero. DO NOT use chronograph while crown is pulled out to position 2 or 3. DO NOT operate chronograph buttons **A** and **B** while timepiece is under water. **NOTE:** Hand **S** is the seconds hand for standard time-

⑩ AUTOMATIC CHRONOGRAPH

1/1 OF A SECOND – TYPE C

Includes new Datron automatic chronographs

keeping. It is not part of the chronograph function, and therefore will run continuously while the crown is in position 1.

Simple chronograph functions:

1. Press button **A** to start chronograph.
2. Press button **A** a second time to stop chronograph and read elapsed time.
3. Press button **B** to reset chronograph to zero.

Accumulated time functions:

To measure the combined time of a series of shorter events, for example the actual playing time of a football match, where play is repeatedly interrupted:

1. Press button **A** to start chronograph.
2. Press button **A** a second time to stop chronograph.
3. Press button **A** again to resume measurement.
4. Press button **A** a fourth time to stop chronograph again.

NOTE: Each time you stop chronograph, chronograph hands will indicate total accumulated time.

5. Repeat steps 1 and 2 to add each additional interval of time.
6. After you have taken your final accumulated time reading, press button **B** to reset chronograph hands to zero.

⑰ AUTOMATIC CHRONOGRAPH 1/1 OF A SECOND – TYPE D

Includes SE Extreme and limited edition Movado Parlee automatic chronographs

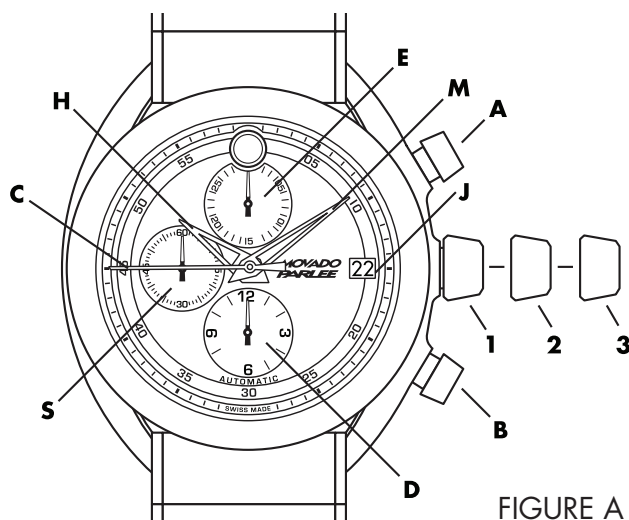


FIGURE A

LEGEND:

- H – Hour hand
- M – Minute hand
- S – Small seconds hand
- C – Chronograph seconds counter
- D – Chronograph 12-hour counter
- E – Chronograph 30-minutes counter
- J – Date display
- 1, 2, 3 – Crown positions
- A – Chronograph push-button (start/stop)
- B – Chronograph push-button (reset)

These automatic chronograph models feature a fine 25-jewel ETA caliber A07.211 self-winding mechanical chronograph movement with 48-hour power reserve, minute counter (up to 30), hour counter (up to 12), and small seconds subdials; center-mounted chronograph seconds hand, and date display. They can be used to time an event up to 12 hours, 30 minutes and 59 seconds in duration to the nearest second.

MANUAL WINDING / SCREW-DOWN CROWN

The motion of your arm during normal daily activities should be sufficient to keep the movement of your automatic chronograph wound. However, if you have not worn it for more than 48 hours and the watch has stopped, you will need to unlock the screw-down crown (select models), and wind the watch by hand before setting the time/date or operating the chronograph functions:

To manually wind your timepiece:

1. On models equipped with a screw-down crown, unlock it by turning it counterclockwise approximately six rotations.
2. With unlocked crown in position 1, turn the crown clockwise approximately 20 revolutions to wind the movement.
3. Reset time/date following instructions below.

NOTE: After time/date setting, the screw-down crown found on select models must be screwed back down into the case to ensure water resistance: Press in gently while turning crown clockwise approximately six rotations until you begin to feel resistance. Do not over tighten.

TIME/DATE SETTING

To set the time:

1. Pull crown out to position 3; watch stops.
2. Turn crown in either direction to move hands to desired time, making sure that the date changes at midnight, not at noon.

NOTE: The date will advance by one each time midnight is passed when adjusting the time.

3. Push crown back in to position 1; watch restarts.

To adjust the date rapidly:

CAUTION: As with all mechanical watches equipped with a calendar feature, never adjust the date rapidly (with crown in position 2) when the time indicated on the dial is between 9PM (21:00) and 3AM (03:00); doing so could damage the mechanism.

1. Pull crown out to position 2.
2. Turn crown clockwise to change the date.
3. When correct date is displayed in window J, push crown back in to position 1, and screw crown back down.

CHRONOGRAPH FUNCTIONS

Overview:

Use buttons A and B to operate the chronograph. Pressing button A the first time will start the chronograph. While the chronograph is running,

⑰ AUTOMATIC CHRONOGRAPH 1/1 OF A SECOND – TYPE D

Includes SE Extreme and limited edition Movado Parlee automatic chronographs

the three chronograph counter hands will sweep continuously, indicating the number of currently elapsed seconds (hand **C**), minutes up to 30 (hand **E**), and hours up to 12 (hand **D**). Pressing button **A** a second time will stop the chronograph. Pressing button **B** will reset hands **C**, **E** and **D** to zero.

IMPORTANT: The crown must be in position 1, and hands must be at zero before the chronograph is started. If necessary, press button **B** to reset to zero.

DO NOT use chronograph while crown is pulled out to position 2 or 3. DO NOT operate chronograph buttons **A** and **B** while timepiece is under water.

NOTE: Hand **S** is the seconds hand for standard time-keeping. It is not part of the chronograph function, and therefore will run continuously while the crown is in position 1.

Simple chronograph functions:

1. Press button **A** to start chronograph.
2. Press button **A** a second time to stop chronograph and read elapsed time.
3. Press button **B** to reset chronograph to zero.

Accumulated time functions:

To measure the combined time of a series of shorter events, for example the actual playing time of a football match, where play is repeatedly interrupted:

1. Press button **A** to start chronograph.
2. Press button **A** a second time to stop chronograph and read the elapsed time.
3. Press button **A** again to resume measurement.
4. Press button **A** a fourth time to stop chronograph again and read combined elapsed time.

NOTE: Each time you stop chronograph, chronograph hands will indicate total accumulated time.

5. Repeat steps 1 and 2 to add each additional interval of time.
6. After you have taken your final accumulated time reading, press button **B** to reset chronograph hands to zero.

⑮ AUTOMATIC 3-HAND MODELS WITH ANIMATED 24-HOUR UNIVERSAL TIME INDICATION

Includes Movado Red Label Calendomatic Universal Time models

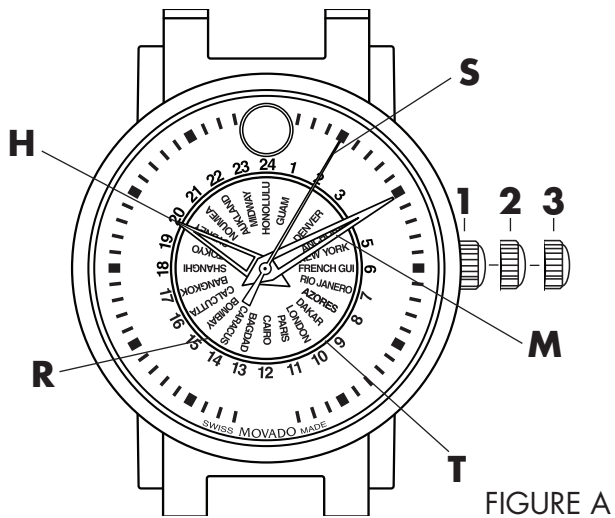


FIGURE A

LEGEND:

- H – Hour hand
- M – Minute hand
- S – Seconds hand
- R – Rotating cities-of-the-world universal time disk
- T – Stationary 24-hour universal time indicator scale

Crown Positions:

- Position 1 – Normal running/manual winding position.
Crown pushed into case.
- Position 2 – Rapid correction of Universal time disk.
- Position 3 – Time setting position.

These automatic models feature a fine Swiss movement with unique rotating Universal time display. Local time is indicated by the hour **H** and minute **M** hands, while rotating cities-of-the-world disk **R** and stationary 24-hour time scale **T** provide an elegant permanent display of the current time in 24 time zones around the globe.

NOTE: The motion of your arm during normal daily activities should be sufficient to keep the movement of your fine Movado automatic timepiece wound. However, if you have not worn your watch for 38 hours or more, and the watch has stopped, you will need to wind it by hand before setting the local time or universal time indication:

1. With the crown in position 1, flush against the case, turn the crown clockwise approximately 20 revolutions.
2. Reset the time and Universal time following instructions below.

To set the time:

1. Pull crown out to position 3; watch stops.
2. Turn crown in either direction to move hands to desired time.
3. Push crown back in to position 1; watch restarts, now set to correct time.

To correct the universal time indication:

1. Pull crown out to position 2; watch continues to run.
2. Turn crown in either direction to rotate disk **R** until the nearest major city is aligned with the current hour in its time zone on scale **T**. The current time in each of the 24 major world cities will then be indicated on scale **T**.
3. Once universal time indication is properly adjusted, push crown back in to position 1.

19 AUTOMATIC 2-HAND MODELS WITH MOON PHASE DISK AND DATE INDICATOR

Includes Movado Red Label Planisphere models

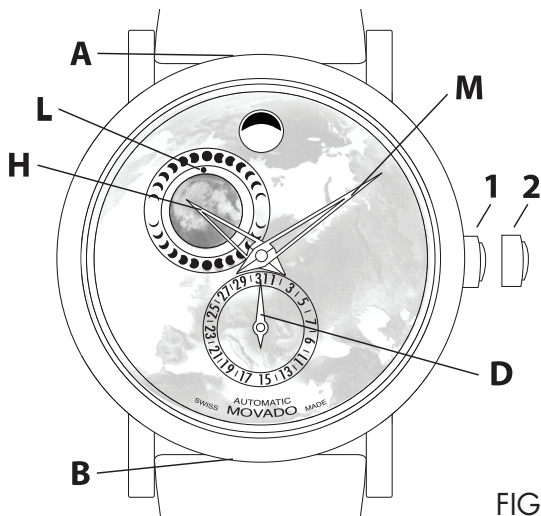


FIGURE A

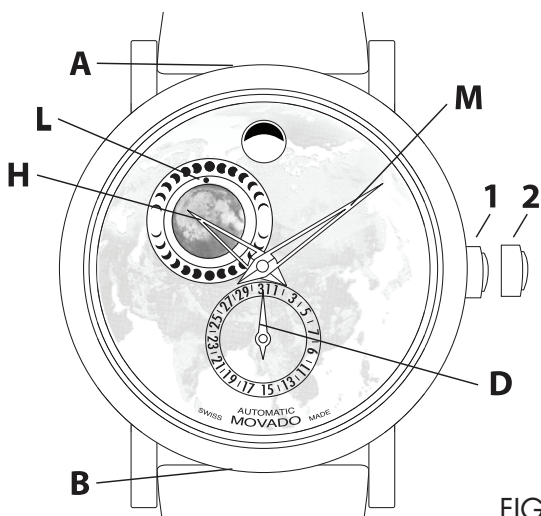


FIGURE B

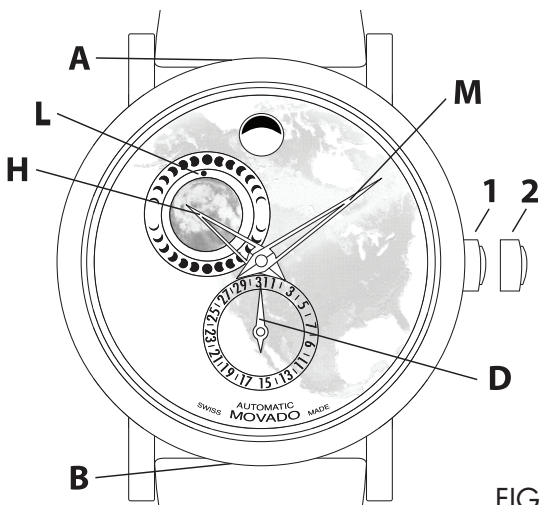


FIGURE C

LEGEND:

- H – Hour hand
- M – Minute hand
- L – 2-month moon phase indicator
- D – Date indicator

- A – Moon phase corrector button
- B – Date corrector button

Crown Positions:

Position 1 – Normal running/manual winding position.
Crown pushed into case.

Position 2 – Time-setting position

NOTE: The motion of your arm during normal daily activities should be sufficient to keep the movement of your fine Movado automatic timepiece wound. However, if you have not worn your watch for 38 hours or more, and the watch has stopped, you will need to wind it by hand before setting the time or indications:

To manually wind the automatic movement:

1. With the crown in position 1, turn the crown clockwise approximately 20 revolutions.
2. Reset the time following instructions below.

To set the time:

1. Pull crown out to position 2; watch stops.
2. Turn crown in either direction to move hands to desired time, making sure the indicated date changes at midnight, not noon.
3. Push crown back in to position 1; watch restarts, now set to correct time.

IMPORTANT: DO NOT use the date or moon phase corrector buttons between 4:30 PM (16:30H) and 1:00 AM (1H) when automatic calendar changes are in progress. Doing so could damage the movement.

①9 AUTOMATIC 2-HAND MODELS WITH MOON PHASE DISK AND DATE INDICATOR

Includes Movado Red Label Planisphere models

To correct the moon phase indicator:

NOTE: These models feature a two-month moon phase indicator: the moon phase disk takes 59 days – cycling through two full and two new moons – to complete one full revolution in subdial **L**.

Use the narrow end of the supplied corrector tool to operate moon phase corrector button **A** located along the top of the case at 12:30 o'clock. Each press and release of button **A** will advance the moon phase subdial disk **L** encircling the full moon image with small indicator dot at 12:00 o'clock by one day; 59 presses and releases would cycle through the two full lunar months represented on the disk.

1. Depress and release corrector button **A** until the tiny dot indicator directly above the full moon image in subdial **L** is aligned with one of the two small full moons on the rotating outer disk.
2. Consult a calendar to determine the date of the last full moon, then count how many days have passed since that date. For example, if the last full moon was on the 6th and today is the 17th, then 11 days have passed.
3. Depress and release corrector button **A** once for each day that has elapsed since the last full moon; the outer rotating disk will have advanced so that the tiny white dot indicator is now aligned with the current phase of the moon in subdial **L**.

To correct the date (quick mode):

Use the narrow end of the supplied corrector tool to depress date corrector button **B** located along the bottom of the case at 6:30 o'clock; each press and release of button **B** will advance the date indicator hand **D** by one.

② AUTOMATIC 2-HAND MODELS WITH MOON PHASE APERTURE AND DATE INDICATOR

Includes Movado Red Label Skymap

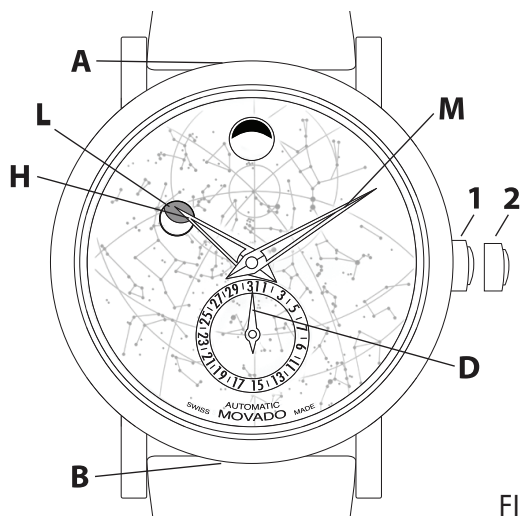


FIGURE A

LEGEND:

H – Hour hand

M – Minute hand

L – Moon phase aperture

D – Date indicator

A – Moon phase corrector button

B – Date corrector button

Crown Positions:

Position 1 – Normal running/manual winding position.
Crown pushed into case.

Position 2 – Time-setting position

NOTE: The motion of your arm during normal daily activities should be sufficient to keep the movement of your fine Movado automatic timepiece wound. However, if you have not worn your watch for 38 hours or more, and the watch has stopped, you will need to wind it by hand before setting the time or indications

To manually wind the automatic movement:

1. With the crown in position 1, turn the crown clockwise approximately 20 revolutions.
2. Reset time following instructions below.

To set the time:

1. Pull crown out to position 2; watch stops.
2. Turn crown in either direction to move hands to desired time, making sure indicated date changes at midnight, not noon.
3. Push crown back in to position 1; watch restarts, now set to correct time.

IMPORTANT: DO NOT use the date or moon phase corrector buttons between 4:30 PM (16:30H) and 1:00 AM (1H) when automatic calendar changes are in progress. Doing so could damage the movement.

To correct the moon phase indicator:

Use the narrow end of the supplied corrector tool to operate moon phase corrector button **A** located along the top side of the case at 12:30 o'clock. Each press and release of button **A** will advance the lunar indication in moon phase aperture **L** by one day; 28 presses and releases will cycle through one lunar month.

1. Depress and release corrector button **A** until the image of a full moon (white) appears in aperture **L**.
2. Consult a calendar to determine the date of the last full moon, then count how many days have passed since that date. For example, if the last full moon was on the 6th and today is the 17th, then 11 days have passed.
3. Depress and release corrector button **A** once for each day that has elapsed since the last full moon; the current phase of the moon will now be displayed in aperture **L**.

To correct the date (quick mode):

Use the narrow end of the supplied corrector tool to depress date corrector button **B** located along the bottom side of the case at 6:30 o'clock; each press and release of button **B** will advance the date indicator hand **D** by one number.

② DIGITAL L.E.D. TOUCH-SCREEN MODELS WITH DUAL-TIME ZONE AND MONTH/DATE DISPLAY

Includes Movado BOLD Touch models



FIGURE A

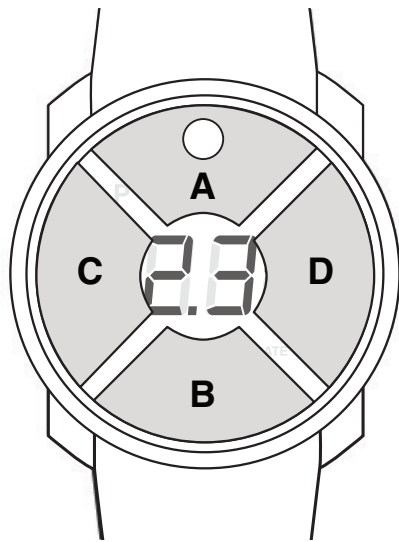


FIGURE B

LEGEND:

- LED – Main Digital Display
- T1 – Time Zone 1 Mode Indicator
- T2 – Time Zone 2 Mode Indicator
- DA – Date Mode Indicator
- P – PM Indicator (appears in Setting Mode only)

These dual-time digital watch models feature an innovative touch screen 4-Digit LED display with 3-mode function: TIME1, TIME2 and DATE. In the Main LED display, the TIME Modes are shown

in 12-hour format; the DATE Mode appears in Month/Date format. One of three smaller LED displays beneath the Main one indicates which Mode is active. The touch-screen crystal is specially treated to resist fingerprints/smudging.

TOUCH REGIONS:

- A – ON/OFF
- B – SET
- C – SWIPE
- D – SWIPE

The crystal over the dial has four touch regions or quadrants:

- A – Touch near 12 o'clock to turn the watch ON or OFF.
- B – Touch near 6 o'clock to SET the active display.
- C/D – Swipe your finger horizontally in either direction to move from one display MODE to another:

Mode sequence:

TIME1 (Hour/Minutes) ⇌ TIME2 (Hour/Minutes) ⇌
DATE (Month/Date)

OPERATING THE WATCH/TOUCH-SCREEN:

1. To turn your watch ON, touch the dot in region A, maintaining contact for about 2 seconds until the LED display lights up. TIME1 will automatically display at start-up.
- NOTE: Once ON, whenever the touch screen idles (is not touched) for 5 seconds, the watch will go into Sleep Mode, and the LED display will go dark, conserving battery power: Touch any region to wake up the LED display.
2. To move between the 3 Display Modes, swipe your finger across regions C and D in either direction.
3. To turn the watch OFF, touch the dot in region A for about 2 seconds until the LED displays the word "bye", then goes dark.

NOTE: If the 5-second LED display is activated five

②1 DIGITAL L.E.D. TOUCH-SCREEN MODELS WITH DUAL-TIME ZONE AND MONTH/DATE DISPLAY

Includes Movado BOLD Touch models

times a day, battery life expectancy is 24 months.
More frequent operation will decrease battery life.

SETTING THE TIME/DATE:

You may enter the Setting Mode from any of the 3
Display Modes – TIME1, TIME2 or DATE:

1. To enter Setting Mode, touch region **B**, maintaining contact for about 2 seconds until the first 2 digits in the active LED Display Mode start to blink.

NOTE: While the display is blinking, if the screen idles (is not touched) for 10 seconds, the watch will exit Setting Mode and return to normal Display Mode: Repeat step one to re-enter Setting Mode.

2. Swipe your finger across the screen from region **C** to **D** to increase the blinking number, or from region **D** to **C** to decrease it.
3. To confirm the new blinking setting for Hour or Month, touch region **B** for about 1.5 seconds until the first 2 digits stop blinking, and the second 2 digits start blinking.
4. Swipe your finger across the screen from region **C** to **D** to increase the blinking number, or swipe from region **D** to **C** to decrease it.
5. To confirm the new blinking setting for Minutes or Date, touch region **B** for about 1.5 seconds until the second 2 digits stop blinking, and watch exits Setting Mode.

NOTE: "P" indicating PM time and "Year" will only be displayed while the watch is in Setting Mode (for Time or Date, respectively); they will not appear in TIME1, TIME2 or DATE Display Mode.

② DIGITAL LCD FULL DOT MATRIX TOUCH-SCREEN MULTI-FUNCTION MODELS

Includes Movado BOLD Touch 2 models



FIGURE A

Movado patented watch design powered by precise digital quartz technology. These models feature full dot matrix LCD displays. Their innovative touch-screen dials light to display multi-function information at the swipe of a finger: Time in two formats, World Time, Stopwatch, Countdown Timer, Step Counter and Auto Calendar. US PAT. NO. D735,589

LEGEND:

D – Full dot matrix digital display
L – Unlock key

Dial Icons/Abbreviations:

- ▶ – Start
- Ⓛ – Stop
- ↻ – Reset
- ⌚ – Stopwatch/Count-down Timer ON
- ⌚ – Stopwatch/Count-down Timer OFF
- DST – Daylight Savings Time
- MS – Metric System: Kilometers
- BS – U.S. (British Commonwealth) System: Miles

OPERATING INSTRUCTIONS

OVERVIEW

- The LCD display remains on when the watch is running
- The Movado dot at 12 o'clock is the "unlock key"
- Lightly touch and hold the Movado dot for 2 seconds to unlock the display so you can adjust settings or switch between modes
- When turned "ON" in settings, the EL backlight will illuminate for two seconds each time the display is unlocked

After you have unlocked the display:

- Touch and hold the center of the screen for 2 seconds to access/change settings or set steps goal
- Swipe up and down to switch between operational modes
- Swipe left and right for alternate displays within a mode
- Tap the top right side of the dial to turn backlight on for two seconds (if turned "ON" in settings)

SETTING MODE

1. Touch and hold center of screen for 2 seconds to access Setting Mode.
2. Touch "SETTINGS", swipe up or down, then tap word to select item to be set: "TIME", "DATE", "CITY", "UNIT" (MS or BS), "DISPLAY", "SOUND" or "BACKLIGHT".

Time Setting

1. Touch "TIME" to enter Time-Setting Mode.
2. Touch "12/24 HOUR" to access 12/24 HOUR time choice; tap your choice to select it.
3. Swipe left to return to main time screen.
4. Touch "CURRENT TIME" to adjust time setting; touch digits representing HOUR; swipe up or down to adjust; tap selected value to set; repeat sequence for MINUTE and SECONDS.
5. Swipe left to return to main time screen; swipe left again to return to Settings list.

② DIGITAL LCD FULL DOT MATRIX TOUCH-SCREEN MULTI-FUNCTION MODELS

Includes Movado BOLD Touch 2 models

Date Setting

1. Touch "DATE" to enter Date-Setting Mode.
2. Swipe up or down then tap to select MONTH.
3. Swipe right; swipe up or down and tap to select DATE.
4. Swipe right again, swipe up or down and tap to select YEAR.
5. Swipe left twice to return to Settings list.

City Setting

1. Touch "CITY" to access Time-Zone Setting Mode.
2. Tap to select "CITY"; then swipe up or down list and tap to select name of CITY in your Time Zone; swipe left to return to prior screen.
3. Tap to select "DST", then tap to turn Daylight Savings Time "ON" or "OFF".
4. Swipe left again to return to Settings list.

Unit

1. Touch "UNIT" to access Distance Measurement Screen.
2. Tap "MS" to select kilometers, or "BS" to select miles.
3. Swipe left to return to Settings list.

Display

1. Touch "DISPLAY" to set active Display Time.
2. Tap "5 SECS", "10 SECS" or "15 SECS" to set the duration of time that the screen remains unlocked when not touched.
3. Swipe left to return to Settings list.

Sound Activation

1. Touch "SOUNDS" to access Sound Activation Screen.
2. Tap "ON" or "OFF"; when "ON" is chosen, sound is enabled.
3. Swipe left to return to Settings list.

NOTE: Sound must be "ON" (enabled in Settings) for Timer alarm to be heard.

Backlight Activation

1. Touch "BACKLIGHT" to access Backlight Activation Screen.
2. Tap "ON" or "OFF"; when "ON" is chosen, EL Backlight will illuminate for two seconds each time the display is unlocked.
3. Swipe left to return to Settings list.

FUNCTIONS

Swipe down/up to cycle through functions in order shown.

Swipe right and tap as indicated to use functions.

Home Screen Display Options



TIME FORMAT 1



TIME FORMAT 2

② DIGITAL LCD FULL DOT MATRIX TOUCH-SCREEN MULTI-FUNCTION MODELS

Includes Movado BOLD Touch 2 models


Time Display

1. Touch and hold Dot for 2 seconds to unlock screen.
2. Swipe left or right to select Display format.

Pedometer

Range 0 to 4 hours; 0 to 99,999 steps.



3. Tap  at bottom of screen to toggle between daily and weekly activity.
4. Swipe left or right to review activity from other dates.

Calendar

1. Tap  – Start step count.



Displays month-at-a-glance for years 2000 to 2099.

1. Swipe left or right to change month on view.

2. Tap  – Stop step count.

② DIGITAL LCD FULL DOT MATRIX TOUCH-SCREEN MULTI-FUNCTION MODELS

Includes Movado BOLD Touch 2 models

Timer

Alarm sounds at end of set count-down period, up to 23h / 59m / 59.9s.

NOTE: Sound must be "ON" (enabled in Settings) for Alarm to be heard.



1. Tap ▶ to Start.
2. Tap ⏸ to Stop.
3. Tap ▶ to Resume count-down or ⏪ to Reset Timer to zero.

Stopwatch

Times events up to 23h / 59m / 59.9s; memory: 99 laps



1. Tap ▶ to Start. (👤 at top changes to 🏃)
2. Tap ⏸ to Stop (🏃 changes to 👤); read time.
3. Tap ▶ to Resume timing (👤 changes back to 🏃), or

⏪ to Reset Stopwatch to zero.

NOTE: Stopwatch will continue to run in the background after screen locks.

World Time



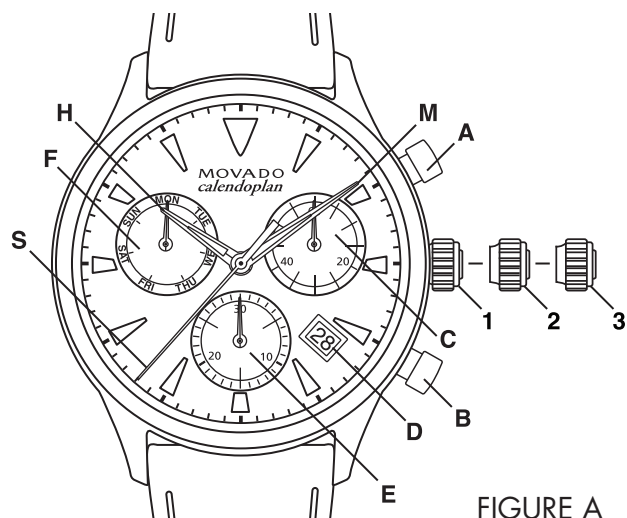
Name of City is shown at top of screen.

1. Swipe right for list of Cities.
2. Swipe up or down and tap to choose City.
3. Swipe left to see Time and Date in selected City.

23 QUARTZ CHRONOGRAPH

1/1 OF A SECOND – TYPE C

Includes Movado Heritage Series Calendoplan chronograph models



LEGEND:

H – Hour hand

M – Minute hand

S – Seconds hand

C - Chronograph seconds counter

E - Chronograph 30-minutes counter

F – Day of week indicator

D - Date window

1, 2, 3 - Crown positions

A - Chronograph push-button (start/stop)

B - Chronograph push-button (split-time/reset)

These chronograph models feature a center-mounted chronograph seconds hand; minute counter (up to 30) subdial, small seconds subdial, day of week indicator subdial; and date window. They can be used to time an event up to 30 minutes in duration to the nearest second.

TIME/DATE SETTING

To set the time:

1. Pull crown out to position 3; watch stops.
2. Turn crown in either direction until hands indicate desired time.
3. Push crown back in to position 1; watch restarts.

To set the time to the exact second:

1. As soon as small seconds hand **S** reaches the <<60>> position, pull crown out to position 3; watch stops.
2. Turn crown in either direction to move hands and set time, making sure date changes at midnight, not noon.
3. Move hands slightly ahead of exact time, then slowly turn crown counterclockwise to align minute hand with correct minute marker.
4. Take an accurate time signal (from a radio news station, for example). When audible tone signals exact time, immediately push crown back in to position 1; watch restarts, now set to the exact time.

To correct the date (quick mode):

1. Pull unlocked crown out to position 2; watch continues to run.
2. Turn crown counterclockwise until correct date appears in window **D**.
3. Push crown back in to position 1.

NOTE: If date is adjusted between 9:45 PM and 12:00 AM when automatic date changes are already in progress, it should be set to the following day: The date will not automatically advance at midnight if it has been corrected via quick mode during these hours.

To set date, day of week and time:

Example: Date/Time on the watch reads: [17] 01:25 / MON and present Date/Time are: [23] 20:35 / THU

1. Pull crown out to position 3; watch stops.
2. Turn crown counterclockwise until yesterday's day of week (WED) is indicated by subdial hand **F**.
3. Push crown in to position 2.
4. Continue to turn crown counterclockwise until yesterday's date (22) appears in window **D**.
5. Pull crown out to position 3; watch stops.
6. Turn crown counterclockwise until correct date (23) appears in window **D** and correct day of week

23 QUARTZ CHRONOGRAPH

1/1 OF A SECOND – TYPE C

Includes Movado Heritage Series Calendoplan chronograph models

(THU) is indicated by subdial hand **F**.

7. Continue to turn crown counterclockwise until hour and minute hands indicate correct time (8:35 PM), being sure to take AM/PM time into account.
8. Push crown back in to position 1, and screw back down into case.

CHRONOGRAPH FUNCTIONS

Overview

Use buttons **A** and **B** to operate the chronograph. Pressing button **A** the first time will start the chronograph. Pressing button **A** a second time will stop the chronograph, allowing elapsed time to be read. Pressing button **A** a third time will restart the chronograph. Pressing button **B** will reset chronograph hands **C** and **E** to zero. Adjusting the time does not stop the chronograph, but it does block buttons **A** and **B** for as long as the crown is pulled out.

NOTE: Crown must be in position 1 and hands must be at zero before chronograph is started. Press button **B** to reset hands to zero.

IMPORTANT: Do not push button **A** or **B** when crown is pulled out to position 2 or 3. If button **A** or **B** is accidentally activated while crown is not flush against case, one or more of the chronograph hands may become de-synchronized. Should this occur, follow instructions at end for synchronizing chronograph hands.

Simple chronograph functions:

To measure the duration of a single, non-stop event:

1. Press button **A** to start chronograph.
2. Press button **A** a second time to stop chronograph, and read the 2 chronograph hands to determine elapsed time, for example: 20 minutes, 38 seconds.
3. Press button **B** to reset chronograph hands to zero.

Accumulated time functions:

To measure the combined time of a series of shorter events, for example the actual playing time of a football

game, where play is repeatedly interrupted:

1. Press button **A** to start chronograph.
2. Press button **A** a second time to stop chronograph and read elapsed time, for example: 15 minutes, 5 seconds.
3. Press button **A** again to resume measurement.
4. Press button **A** a fourth time to stop chronograph again, and read new elapsed time, for example: 20 minutes, 17 seconds.

NOTE: Each time you stop chronograph, chronograph hands will indicate total accumulated time.

5. Repeat steps 1 and 2 to add each additional interval of time.
6. After you have taken your final accumulated time reading, press button **B** to reset chronograph hands to zero.

Split-time or intermediate-time functions:

To take intermediate time readings as a race progresses:

1. Press button **A** to start chronograph.
2. Press button **B** to momentarily stop chronograph.
3. Read off the intermediate time, for example: 20 minutes, 17 seconds.
4. Press button **B** to resume chronograph function. The 2 chronograph hands will quickly catch up with ongoing event.
5. To read a second split time, press button **B** again. Repeat steps 2 through 4 to take any additional split times.
6. Press button **A** to stop chronograph.
7. Take a reading of the final time, for example: 29 minutes, 7 seconds.
8. Press button **B** to reset chronograph hands to zero.

Synchronizing chronograph hands:

After a battery change or in the event of an error, you may need to manually adjust one or both of the chronograph hands to align them correctly at their zero positions.

②3 QUARTZ CHRONOGRAPH

1/1 OF A SECOND – TYPE C

Includes Movado Heritage Series Calendoplan chronograph models

NOTES: Once in corrective mode, each press and release on push-button **A** will advance active chronograph hand by one increment. To advance hand rapidly, depress and hold push-button **A**.

You may exit correction mode at any time in the sequence by returning crown to position 1.

1. Pull crown out to position 3.
2. Press and hold push-buttons **A** and **B** simultaneously for at least 2 seconds to enter corrective mode. When chronograph seconds hand **C** rotates 360°, corrective mode is activated; release buttons **A** and **B**.
3. Adjust center-mounted chronograph seconds hand **C** using push-button **A**.
4. When hand **C** reaches zero position, press push-button **B**.
5. Now press push-button **A** to adjust minute counter hand **E**.
6. When hand **E** reaches zero position, press push-button **B**.
7. Push crown back in to position 1.

Timing hands are now synchronized at zero position, and chronograph is ready for use.

②4 QUARTZ 3-HAND MOON PHASE/DAY/DATE MODELS – TYPE A

Includes Movado Heritage Series Celestograph 42mm models

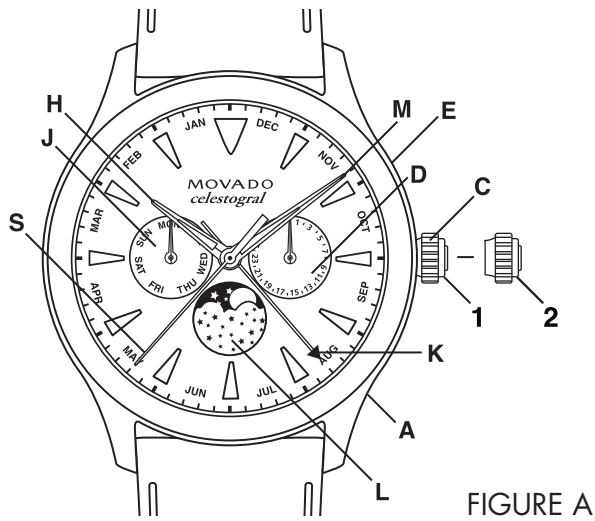


FIGURE A

LEGEND:

- H – Hour hand
- M – Minute hand
- S – Seconds hand
- K – Month indicator hand
- D – Date indicator
- J – Day of week indicator
- L – Moon phase subdial
- 1, 2 – Crown C positions
- A – Date corrector button
- E – Month indicator corrector button

The dials on these watch models feature three subdials that indicate the weekday, date and current phase of the moon, and a center-mounted month indicator hand.

IMPORTANT: DO NOT use button **A** to adjust date **D** when the time is between 11:30 PM and 5:30 AM (the blocking period) or button **E** to adjust the calendar week from Sunday–Monday (the blocking period) when automatic calendar changes are already in progress. Doing so could damage the mechanism.

Setting instructions

Setting sequence: Moon phase → Date → Day of week → Time.

1. Pull crown **C** out to position 2; watch stops.

2. Turn crown **C** clockwise until full moon image appears at the top of the moon phase subdial.
3. Set the day of the week **J** to date of last full moon by repeatedly rotating crown **C** clockwise and then counterclockwise between 10:00 PM and 01:00 AM. Each time the hour and minute hands advance past midnight, the hand in subdial **J** will advance by one; continue until the hand in subdial **J** indicates the day of week of the last full moon; consult a newspaper or the internet for the information as needed.
4. Continue turning crown **C** clockwise until hands **H** and **M** indicate a time of 06:00 AM.
5. To set the date, press button **A** until date **D** indicates the date of the last full moon; see chart below.
6. Then turn crown **C** clockwise, advancing hour and minute hands until subdial **D** indicates current date.
7. Continue turning crown **C** clockwise until hands **H** and **M** indicate desired time, being sure to take AM/PM time into account.
8. Press button **E** to set month indicator hand **K**, moving it to indicate the beginning, middle or end of the current month on the scale around the dial's perimeter.

IMPORTANT: DO NOT adjust during the blocking period from Sunday–Monday.

9. Push crown back into position 1; watch restarts.

Quick change correction for Date:

Press button **A** until current date is indicated in subdial **D**.

IMPORTANT: DO NOT adjust during the blocking period from 11:30 PM and 5:30 AM.

Quick change correction for Month:

Press button **D** until month indicator hand **K** points to desired position on the monthly scale around edge of dial.

IMPORTANT: DO NOT adjust during the blocking period from Sunday–Monday.

②④ QUARTZ 3-HAND MOON PHASE/DAY/DATE MODELS – TYPE A

Includes Movado Heritage Series Celestograph 42mm models

Full Moon Dates:

	<u>2016</u>	<u>2017</u>	<u>2018</u>	<u>2019</u>
JAN	24	12	02/31	21
FEB	22	11	—	19
MAR	23	12	02/31	21
APR	22	11	30	19
MAY	21	10	29	18
JUN	20	09	28	17
JUL	19	09	27	16
AUG	18	07	26	15
SEP	16	06	25	14
OCT	16	05	24	13
NOV	14	04	23	12
DEC	14	03	22	12

25 QUARTZ 3-HAND MOON PHASE/DAY/DATE MODELS – TYPE B

Includes Movado Heritage Series Celestograph 36mm models

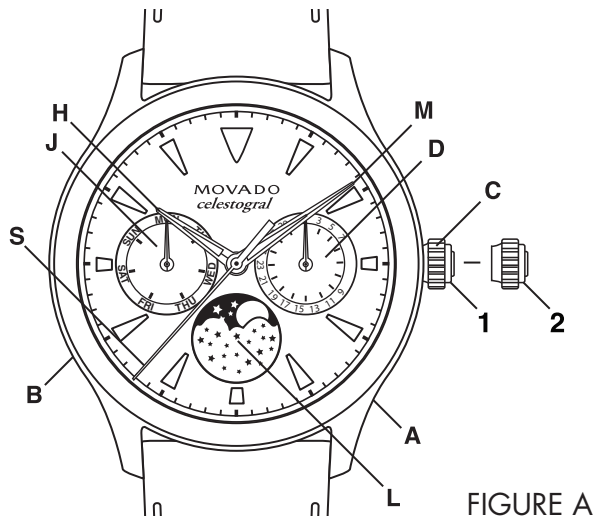


FIGURE A

LEGEND:

- H – Hour hand
- M – Minute hand
- S – Seconds hand
- D – Date indicator
- J – Day of week indicator
- L – Moon phase subdial
- 1, 2 – Crown C positions
- A – Date corrector button
- B – Day corrector button

The dials on these watch models feature three subdials that indicate the weekday, date and current phase of the moon.

IMPORTANT: DO NOT use button **A** to adjust date **D** or button **B** to adjust the day **J** when the time is between 11:30 PM and 5:30 AM (the blocking period) and automatic calendar changes are already in progress. Doing so could damage the mechanism.

Setting instructions

Setting sequence: Moon phase → Day of week → Date → Time.

1. Pull crown **C** out to position 2; watch stops.
2. Turn crown **C** clockwise until full moon image appears at the top of the moon phase subdial.

3. Continue turning crown **C** clockwise until hands **H** and **M** indicate a time of 06:00 AM.
4. Using Quick Change correction, press button **A** to set date **D**.
5. Using Quick Change correction, press button **B** to set day in subdial **J** to the day of week of the last full moon; see chart below.
6. Continue turning crown **C** clockwise, advancing hour and minute hands until subdial **D** indicates current date.
7. Continue turning crown **C** clockwise until hands **H** and **M** indicate desired time, being sure to take AM/PM time into account.
8. Push crown back into position 1; watch restarts.

Quick change correction for Date:

Press button **A** until current date is indicated in subdial **D**. **IMPORTANT:** DO NOT adjust during the blocking period from 11:30 PM and 5:30 AM.

Quick change correction for Day of Week:

Press button **B** until current day of week is indicated in subdial **J**. **IMPORTANT:** DO NOT adjust during the blocking period from 11:30 PM and 5:30 AM.

Full Moon Dates:

	<u>2016</u>	<u>2017</u>	<u>2018</u>	<u>2019</u>
JAN	24	12	02/31	21
FEB	22	11	—	19
MAR	23	12	02/31	21
APR	22	11	30	19
MAY	21	10	29	18
JUN	20	09	28	17
JUL	19	09	27	16
AUG	18	07	26	15
SEP	16	06	25	14
OCT	16	05	24	13
NOV	14	04	23	12
DEC	14	03	22	12

26 MECHATRONIC MULTI-FUNCTION CHRONOGRAPH

with local time/perpetual calendar, flyback chronograph and countdown timer functions

Includes Vizio multi-function chronograph models

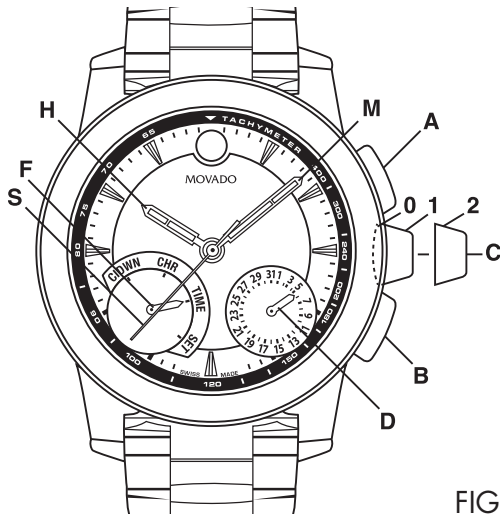


FIGURE A

LEGEND:

- H – Hour hand
- M – Minute hand
- S – Seconds hand
- F – Mode/function indicator
- D – Date indicator
- A – Push-button
- B – Push-button

Crown C Positions:

- 0 – Pushed in
- 1 – Neutral position
- 2 – Pulled out

Mechatronic movements utilize bi-directional micro-motors to drive each of dial's hands and disks, offering innovative new functional modularity. These mechatronic models with multi-modal center-mounted hour, minute and seconds hands, and mode indicator and date indicator subdials feature local time with perpetual calendar, chronograph with flyback, and countdown timer functionality. In Chronograph mode, these models can be used to time an event up to 12 hours in duration to the nearest second.

MODES OVERVIEW

There are three available modes: Local Time, Chronograph and Countdown Timer.

By default, and after a reset following a battery change, Local Time is the first displayed mode.

From the Local Time mode, you can access the sub-functions Indexing and Time Setting.

To switch between modes:

Quickly press and release crown C twice to switch between modes; they will display in this sequence: LOCAL TIME → CHRONOGRAPH → COUNTDOWN TIMER → LOCAL TIME.

LOCAL TIME MODE

This mode displays the local time in hours, minutes and seconds with the center-mounted analog hands:

Hand H displays the hours; it moves forward 3° every 6 minutes.

Hand M displays the minutes; it moves forward 2° every 20 seconds.

Hand S displays the seconds.

The small hand in Mode Subdial F indicates "TIME".

The small hand in Date Subdial D points to the current date.

The sub-functions Indexing (realigning the hands) and Time Setting are accessed from Local Time Mode:

To enter Indexing mode:

If necessary, this mode is used to accurately realign one or more of the hands for precise indication:

1. Press buttons A and B simultaneously and hold for more than 2 seconds; all 5 hands will move to their nominal positions:
 - Hour hand H points at "12"
 - Minute hand M points at "12"
 - Seconds hand S points at "12"
 - Small hand in subdial F indicates "SET"
 - Small hand in subdial D indicates "31"

NOTES: The hands will index in the following

②6 MECHATRONIC MULTI-FUNCTION CHRONOGRAPH with local time/perpetual calendar, flyback chronograph and countdown timer functions

Includes Vizio multi-function chronograph models

sequence: HOUR → MINUTE → SECONDS →
MODE → DATE.

Press and release button **A** quickly to advance the active hand by one increment (this corresponds to a 3° adjustment for Hour hand **H** and a 2° degree adjustment for each of the other hands), or press and hold button **A** to rapidly advance the active hand clockwise.

2. After all hands have moved to their nominal positions, press button **A** to index the first hand.
3. When the active hand points to the desired setting, press and release button **B** to advance to the next hand.
4. Use button **A** to index/align the active hand.
5. Repeat steps 3 and 4 for the remaining hands.

NOTE: You may exit Indexing mode at any time by pushing crown **C** into position 0.

To enter Time Setting mode:

NOTE: The hands/functions are set in the following sequence: HOUR → MINUTE → YEAR → MONTH → DATE.

1. Pull crown **C** out from position 1 to position 2.
2. Press and release button **A** to advance the active hand step by step, or press and hold button **A** to advance the hand rapidly.
3. When active hand points to the desired setting, press and release button **B** to advance to the next hand.
4. Repeat steps 2 and 3 for the remaining settings.

NOTE: You may exit Time Setting mode at any time by pressing crown **C** back into position 1.

Time Setting Display:

Hand **S**

- Hand **S** indicates the type of setting by its position:
HOUR setting: 45' = AM, 15' = PM
MINUTE setting: 30'
YEAR setting: 55'
MONTH setting: 00'

DATE setting: 05'

Hand **H**

- When setting the YEAR, hand **H** indicates the first digit of the year.
- In other settings, hand **H** indicates the hour.

Hand **M**

- When setting the YEAR, hand **M** indicates the second digit of the year.
- In other settings, hand **M** indicates the minutes.

Subdial Hand **F**

- Indicates "SET"

Subdial Hand **D**

- When setting the MONTH, hand **D** indicates the month.
- In other settings, hand **D** indicates the date.

To set the YEAR:

- The first two digits of the year ("20") do not need to be set.
- Use button **A** to set the last two digits of the year; beginning with the fourth digit.
- Hands **M** (indicating the fourth digit) and **H** (indicating the third digit) both start out at the 12:00 position.

TIP: Press and release button **A** the total number of times you wish to set as the last two digits: Once to set "2001", ten times to set "2010" or sixteen times to set "2016", etc.

For example: Pressing button **A** once would move hand **M** to 1:00, indicating the year "2001".

Pressing button **A** ten times would move hand **H** to 1:00, and hand **M** to 12:00, indicating the year "2010".

Pressing button **A** sixteen times would leave hand **H** at 1:00 while moving hand **M** to 6:00, indicating the year "2016".

When hands **H** and **M** indicate the desired year, press button **B** to set the Year and advance to Month setting.

②⑥ MECHATRONIC MULTI-FUNCTION CHRONOGRAPH

with local time/perpetual calendar, flyback chronograph and countdown timer functions

Includes Vizio multi-function chronograph models

NOTE: After a reset/battery change, the indicated time will be 00H 00M 00S with the date set to January 1, 2000, and you will need to follow the Time Setting steps above to reset your watch.

CHRONOGRAPH MODE

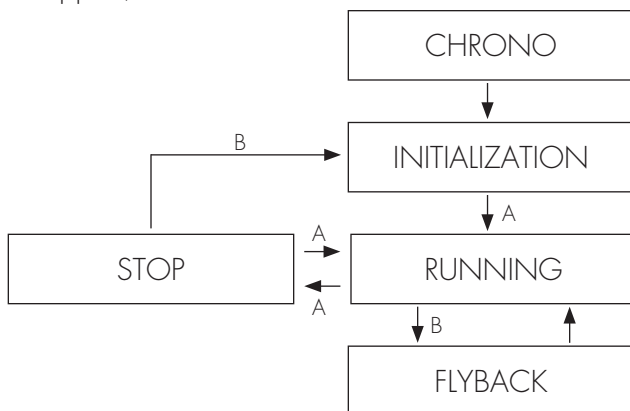
In Chronograph mode, these models can be used to time an event up to 12 hours in duration to the nearest second. The chronograph will automatically reset after 11 hours, 59 minutes, 59 seconds of continuous running.

To enter Chronograph Mode from Local Time Mode, quickly press and release crown **C** twice.

Chronograph Display

There are three possible display modes:

- Initialization/Reset: The chronograph is not currently running or has been reset.
- Running mode: The chronograph is running.
- Stop mode: The chronograph was started and then stopped, but not reset.



To operate the Chronograph:

Use buttons **A** and **B** to operate the chronograph.

From Initialization/Reset display mode:

Press button **A** to start the chronograph.

From Running display mode:

1. Press button **A** a second time to stop the chronograph and read the elapsed time;

2. OR press button **B** to restart the chronograph (Flyback mode).

From Stop display mode:

1. Press button **A** again to restart the chronograph, returning to running mode.
2. OR press button **B** to reset the chronograph to zero.

NOTE: While the chronograph is running or stopped, you may switch to Local Time Mode at any time by double-pressing crown **C** two times: The first double-press will take you to Countdown Mode, the second double-press will return you to Local Time Mode.

Reading the Chronograph Display:

Hand **H** indicates elapsed hours.

Hand **M** indicates elapsed minutes.

Hand **S** indicates elapsed seconds.

The small hand in Mode Subdial **F** indicates "CHR".

The small hand in Date Subdial **D** points to the current date.

Left running, the chronograph will automatically reset after 11 hours, 59 minutes, 59 seconds.

COUNTDOWN MODE

Just like an oven timer, a countdown timer is set to monitor and go off at the end of a specified length of time. It can be used, for example, to track 2.5 accumulated hours of bike riding or to time a 30-minute jog.

To enter Countdown Mode from Chronograph Mode, quickly press and release crown **C** twice; to enter Countdown Mode from Local Time Mode, quickly double-press crown **C** two times: The first double-press will take you to Chronograph Mode, the second double-press will take you to Countdown Mode.

Countdown Display

The first time you use/initialize the Countdown Timer, or after a battery replacement, the default value appears

②⑥ MECHATRONIC MULTI-FUNCTION CHRONOGRAPH with local time/perpetual calendar, flyback chronograph and countdown timer functions

Includes Vizio multi-function chronograph models

as 00H 00M 01S. Afterwards, the initial value that appears will be the last setting entered by the user.

Reading the Countdown Display:

Hand **H** indicates the number of hours in the countdown.

Hand **M** indicates the number of minutes in the countdown.

Hand **S** indicates the number of seconds in the countdown.

The small hand in Mode Subdial **F** indicates "C/DWN".

The small hand in Date Subdial **D** swings from 31 to 15 when the end of the countdown period has been reached; otherwise it displays the current date.

To set the Countdown Timer:

NOTE: The countdown values are set in the following order: SECONDS → MINUTES → HOURS.

1. Pull crown **C** out to position 2 to enter Seconds setting mode.
2. Press button **A** to decrease the seconds until the desired number is indicated.
3. Press button **B** to move to Minutes setting mode.
4. Press button **A** to decrease the minutes until the desired number is indicated.
5. Press button **B** to move to Hours setting mode.
6. Press button **A** to decrease the hours until the desired number is indicated.
7. Press crown **C** into position 1 to confirm settings and exit countdown setting mode.

To operate the Countdown Timer:

1. Press button **A** to start the countdown timing.
2. Press button **A** a second time to stop the countdown.
(For example, when you are taking a break in the middle of a planned 2.5 hour bike ride.)

Whenever countdown timer is in Stop mode, you can either:

3. Press button **A** again to resume the countdown
(For example, to resume the active bike riding time

measurement),

4. OR press button **B** to reset the countdown; following a reset, the hands will indicate the last countdown setting.

When the end of the countdown period has been reached, the hand in Date Subdial **D** will animate, swinging from 31 to 15.

NOTE: At any time, whether the Countdown Timer is running or stopped, you may switch to Local Time Mode by quickly pressing and releasing crown **C** twice.

SPECIAL FEATURES

Ⓐ ROTATING BEZEL

Select Movado sport models feature a unidirectional bezel for measuring elapsed time. The engraved bezel turns counterclockwise only. It can be used, for example, to monitor the number of minutes that have passed on a timed snorkel expedition or similar group excursion:

1. Align the arrow marker on the bezel with the current position of the minute hand.
2. As the minute hand advances around the dial, the number it points to on the bezel indicates how many minutes (1 to 59) have passed since you began the timing.
3. When not in use, turn bezel counterclockwise until marker is aligned at 12 o'clock.

SPECIAL FEATURES

Ⓑ SCREW-DOWN CROWN

Many Movado sport watches and chronographs are equipped with a special screw-down crown that helps seal the case against water and moisture. Before attempting to set the time or date, you must first unlock the screw-down crown by turning it counterclockwise until it loosens (approximately six rotations).

After your watch has been set to the correct time and date following the instructions provided, the crown must be screwed back down into the case to ensure water resistance:

1. Return the crown to position 1, flush against case.
2. Turn the crown clockwise while gently pressing in on it.
3. Continue to turn the crown until you feel resistance. Do not over-tighten.

SPECIAL FEATURES

© ROTATING REFLECTOR RING

Select Movado BOLD models feature a rotating reflector ring for measuring elapsed time. Located under the crystal and controlled by a screw-down crown at 2 o'clock, the reflector ring can be used to monitor the number of minutes that have elapsed on a timed excursion – for example, since you put money in a parking meter:

1. Unlock the screw-down reflector ring crown by pressing on it gently while turning it counterclockwise approximately six rotations until it pops out.
2. Turn the crown in either direction to align the reflector ring's arrow marker with the current position of the minute hand on the watch dial.
3. Screw the reflector ring crown back down into the case by turning clockwise while gently pressing in on it until you feel resistance. Do not over-tighten.
4. As the minute hand advances around the dial, the number it points to on the reflector ring indicates how many minutes (1 to 59) have passed since you began the timing.
5. When not in use, realign the reflector ring arrow at 12 o'clock, being sure to screw the reflector ring crown back down into the case to assure water resistance.

OBTAINING SERVICE

Should your Movado watch require service or repair, you may take or send it to any Movado Authorized Service Center. For the most current and complete worldwide listing, visit www.movado.com.

PACKING AND MAILING INSTRUCTIONS

Be sure to include your complete return address and phone number along with a brief note describing the problem with your watch and/or service needed. List all the items you would like to have serviced or repaired.

Your watch should be packed securely in padded wrapping materials, for protection against shock, in a sturdy box sealed with tape. Do not use your watch's original gift box for shipping.

We recommend that you use registered mail and insure your watch for its full replacement value.

TRACKING SERVICE ONLINE

In the US, when you send your watch directly to Movado in Moonachie, New Jersey, for service, we will send you a written acknowledgement that includes a personal User ID and Password. With them, you may authorize and track the status of your watch service online via our secure internet site: www.mgiservice.com/movado

SERVICE UNDER WARRANTY

Your Movado timepiece is protected from the date of purchase by a two-year limited warranty. To obtain service under the warranty, you must present a valid warranty card and proof of purchase. See "Warranty Information" for details.

NOTE: Movado is not to be held liable for any incidental or consequential damages occurring from the failure or malfunction of its product.

WARRANTY INFORMATION

Congratulations on your purchase. Movado watches are not only beautiful in design, they are crafted to meet exacting standards of Swiss watch precision and performance. Made by highly skilled craftsmen and comprising only the highest quality materials and components, your watch left our factory in perfect running condition after undergoing stringent quality testing. We proudly stand behind each fine Movado timepiece we sell.

MOVADO LIMITED WARRANTY

Movado will, within **two (2) years** from date of purchase, repair or replace (at Movado's option), the movement of your Movado watch free of charge if such movement proves to be defective in material or workmanship under normal use.

The finish on Movado galvanic gold-plated, ion-plated and PVD-finished watches will be warranted for a period of **five (5) years** against flaking and peeling only; scratching/erosion due to normal wear and tear is not covered. The case and/or bracelet will be refinished or replaced (at Movado's option) should such finish prove to be defective in material or workmanship.

This warranty does not cover batteries, straps, bracelets, cases or crystals, nor does it cover damage arising from normal wear, scratches, accidents or misuse, or from any alteration, service or repair performed by any party other than Movado Watch Company or one of its Authorized Service Centers.

This warranty is void if the timepiece was not purchased from an Authorized Movado Dealer, as evidenced by a valid warranty card or proof of purchase. To be valid (for watches purchased from any authorized dealer in North America), the warranty card must be embossed with the name of the Authorized Movado Dealer, as well as dated and signed by that dealer. To be valid (for watches purchased from any authorized dealer outside North America), the warranty card must be duly completed, dated and stamped by the authorized Movado Jeweler.

This warranty gives you, the consumer, specific legal rights. You may also have additional legal rights under applicable law which may vary from State to State and Country to Country, and which are not affected by the terms of this warranty.

Please address any Movado Warranty claim to a Movado Authorized Service Center. To find one(s) near you, go to <http://mgiservice.com>, click on the Movado brand logo, then the "FIND A RETAILER OR WATCH REPAIR LOCATION" button on the right in the pop-up "CREATE YOUR ACCOUNT" box. To go there now, [click here](#).

NOTE: For Warranty information on Movado smartwatches, [click here](#).

MOVADO AUTHORIZED SERVICE CENTERS

To locate authorized service center(s) in your global geographical region, visit <http://mgiservice.com>, click on the Movado brand logo, then click on the "FIND AN AUTHORIZED WATCH REPAIR LOCATION" in the menu bar running down the left side of the screen. To go there now, [click here](#).