



3/4HP EXECUTIVE SERIES

**600SL**

PROFESSIONALLY INSTALLED BY GDS

1-800-989-8679

**WARNING:**

To reduce the risk of injury to persons - Use this opener only with Residential Sectional Garage doors.



## Owner's Manual

- Please read and understand this manual and safety instructions carefully before installation.
- The Opener WILL NOT CLOSE until the Photo Eye Safety System is properly installed and aligned.
- REGULARLY CHECK and TEST the Opener according to the safety label to ENSURE SAFE OPERATION.
- Retain this manual for future reference.

Serial # \_\_\_\_\_

Date Installed \_\_\_\_ / \_\_\_\_ / \_\_\_\_

Located on the side panel of your opener.

# Table of Contents

## Introduction

Symbols and Icons	2
Inventory	3
Preparation / Door Balance Test	4
Tools Required	4

## Assembly

Assembling T-Rail	5
Tension the Belt	6

## Installation

Mounting Header Bracket	7
Attaching Rail to Header Bracket and Mounting Door Bracket	8
Mounting Opener to Ceiling	9
Attaching Door Arms	10
Installing Light and Emergency Release Handle	11

## Wiring

Wiring Instructions	12
Connecting Photo Eye Safety System	13
Connecting Push Button *(OPTIONAL)	14
Connecting Door Control Console *(OPTIONAL)	15
Connecting Power	16

## Adjustment

Aligning the Photo Eye Safety System	16
Travel Limit Adjustment—I. UP Limit	17
Travel Limit Adjustment—II. DOWN Limit	18
Auto Force Adjustment	19
Final Adjustment and Testing	20

## Operation

Programming Remote Controls	21
Operating the Opener	22-23
Maintenance	24
Troubleshooting	24

## Repair Parts and Service

Installation and Accessory Parts	25
Opener Assembly parts	26

## Warranty

27

# Symbols and Icons

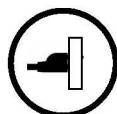


### WARNING

READ WARNINGS CAREFULLY to prevent **SERIOUS INJURY** or **DEATH** caused by electrocution or mechanical hazard.



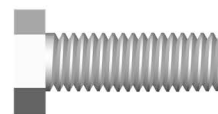
DO NOT connect power



Please connect power



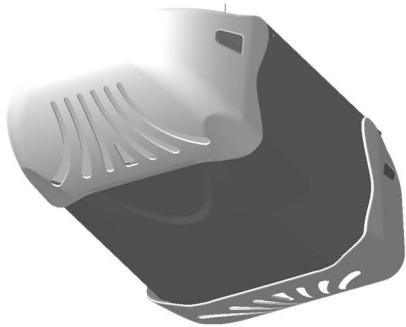
Beeps from built-in buzzer of the opener



Installation hardware shown in actual size

\* Optional Accessories

# Inventory



Opener Unit + Lamp Dome



Cover Plate

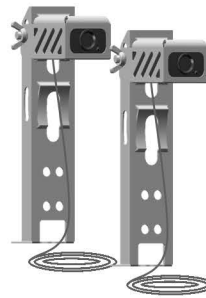


Photo Eye Safety System



Emergency Release Handle + Rope



Remote Control

OPTIONAL



Push Button \*

OPTIONAL



Door Control Console \*

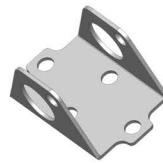
- x 2
- Screw #6 x 1"
- x 2
- Drywall Anchor



Literature + Safety Labels



Door Bracket



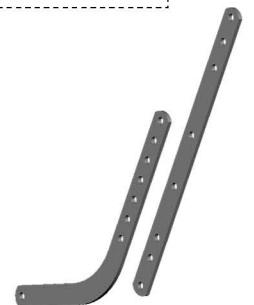
Header Bracket



Clevis Pin Long x1



Hitch Pin — Locking Clevis Pins x1



Door Arms

\* Optional Accessories

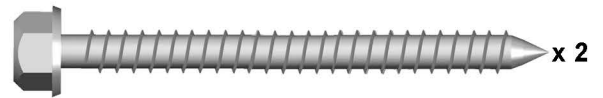
## INSTALLATION HARDWARE, LOCATED IN HARDWARE BAG (SHOWN IN ACTUAL SIZE 1:1)



Clevis Pin — Door arms  
5/16" x 1" x 2



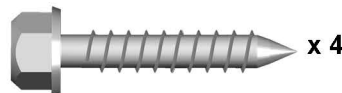
Lag Screw 1/4" x 1"  
— Door Bracket x 2



Lag Screw 5/16" x 2.5"  
— Header Bracket / Mounting Opener x 2



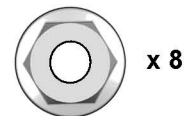
Hitch Pin — Locking Clevis Pins x 2



Lag Screw 1/4" x 1 1/4"  
— Photo Eye System x 4



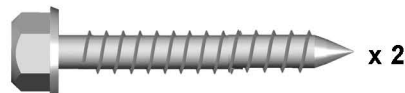
1/4" x 7/16" — Track Bolt x 4



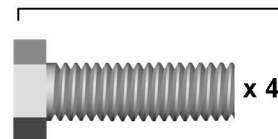
1/4" -20  
— Ribbed Nut x 8



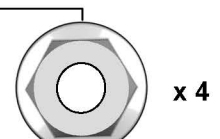
Emergency Release Handle + Rope



Lag Screw 5/16" x 1-1/2"  
— Header Bracket / Mounting Opener x 2



Bolt 5/16" -18 x 1" x 4



5/16" Flange Nut x 4

— Door arms / Mounting Opener

# Preparation

## WARNING

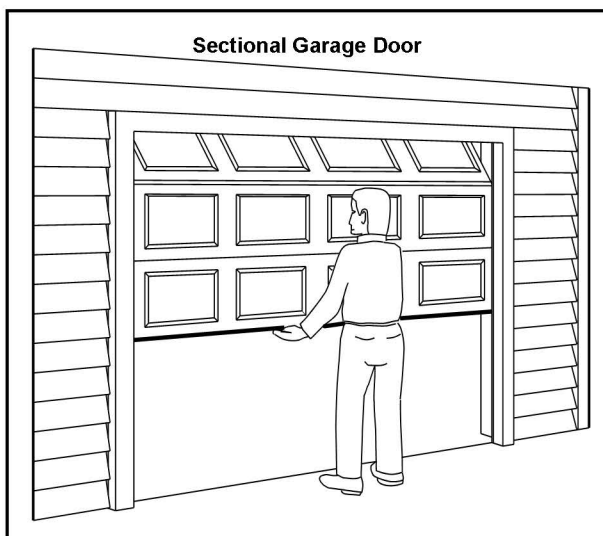
To prevent **SERIOUS INJURY** or **DEATH**:

- Before beginning installation of the Opener please complete the following test to ensure that your door is balanced and in good working condition.
- A poorly balanced door can cause serious injury and damage to the Opener.
- Always have a qualified garage door service technician make any required adjustments and/or repairs to your door before proceeding with installation.
- **DISABLE ALL LOCKS** and **REMOVE ALL ROPES** connected to the garage door **BEFORE** installing and/or operating the Opener.



To prevent damage to the door and Opener:

- **DO NOT** connect power until instructed.
- Operate this Opener with AC 120V/60Hz power supply **ONLY**.



### BEFORE Beginning Installation:

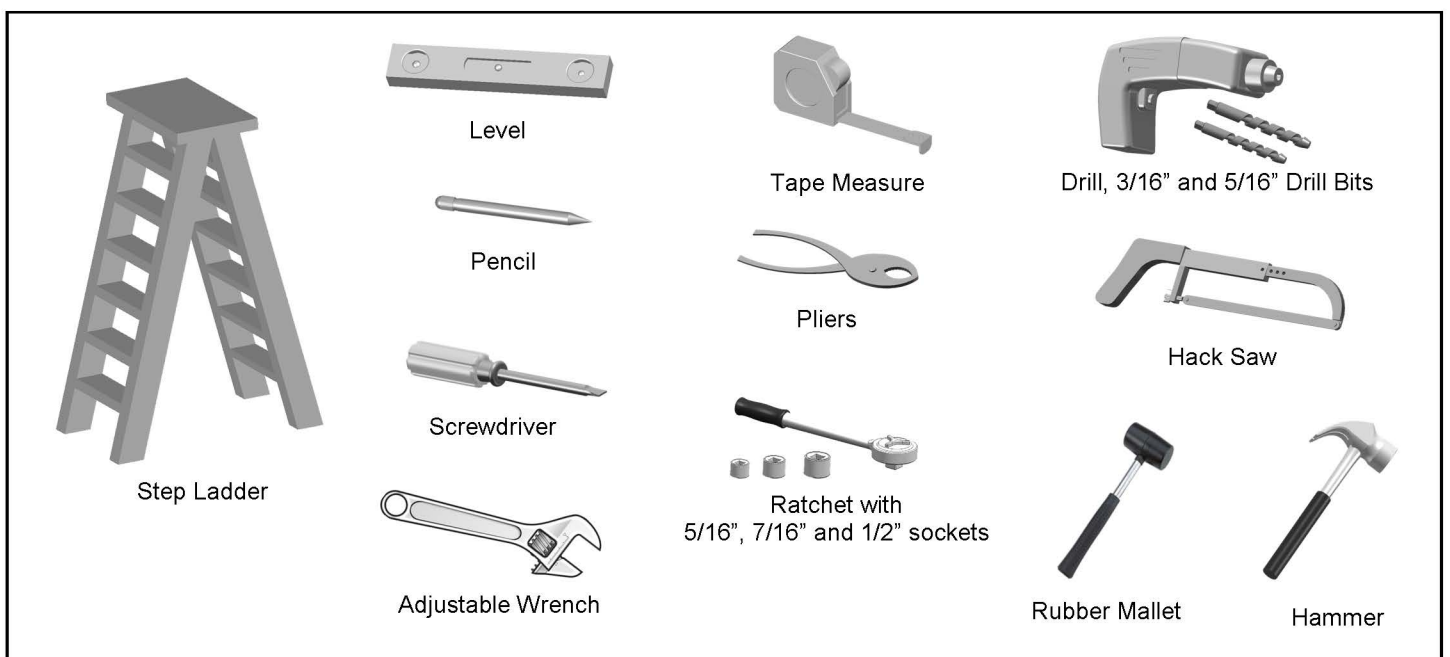
1. **Disable locks and remove all ropes connected to the garage door.**
2. **Perform the following door test to ensure your door is balanced and in good working condition.**

### To Test Your Garage Door

1. Raise and lower the door to check if there is any sticking or binding.
2. Check for loose hinges, damaged rollers, frayed cables and damaged or broken springs.
3. Lift the door approximately halfway and release. The door should stay at the point under proper spring tension.

Call a qualified garage door service technician if your door binds, sticks or is unbalanced.

# Tools Required



# Assembling T-Rail

## **WARNING**

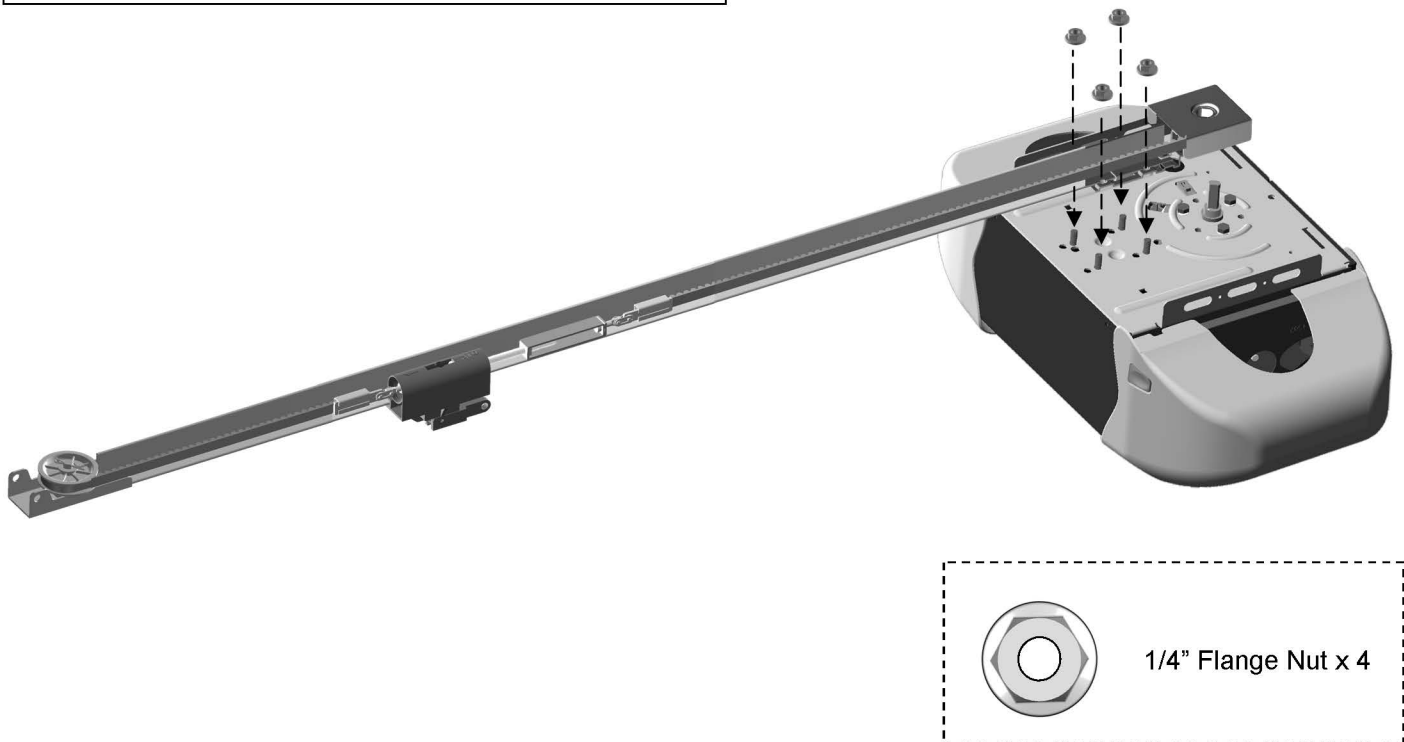
To prevent **SERIOUS INJURY**:

- **DO NOT** connect power until instructed.
- Keep hands and fingers clear from sprocket during operation.
- Wear gloves when installing chain/belt and cable.
- Keep hands and fingers away from joints and possible sharp edges.



## **CAUTION**

- **DO NOT** connect power until instructed.
- To prevent **INJURY**, keep hands and fingers away from joints and possible sharp edges.
- Wear gloves when installing chain/belt and cable.



**Fig.1**

### **To Assemble the Rail**

Align the pre-assembled T-rail on the top of opener in the direction as shown in Fig.1.

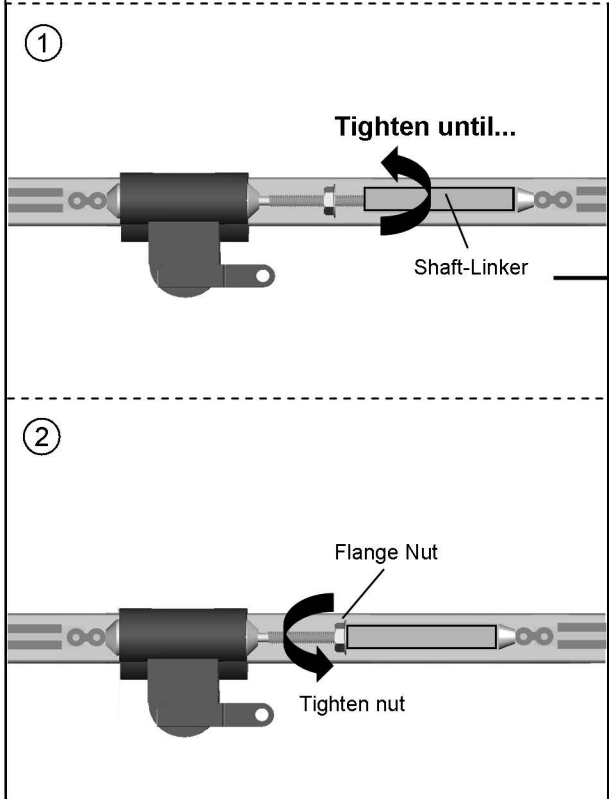
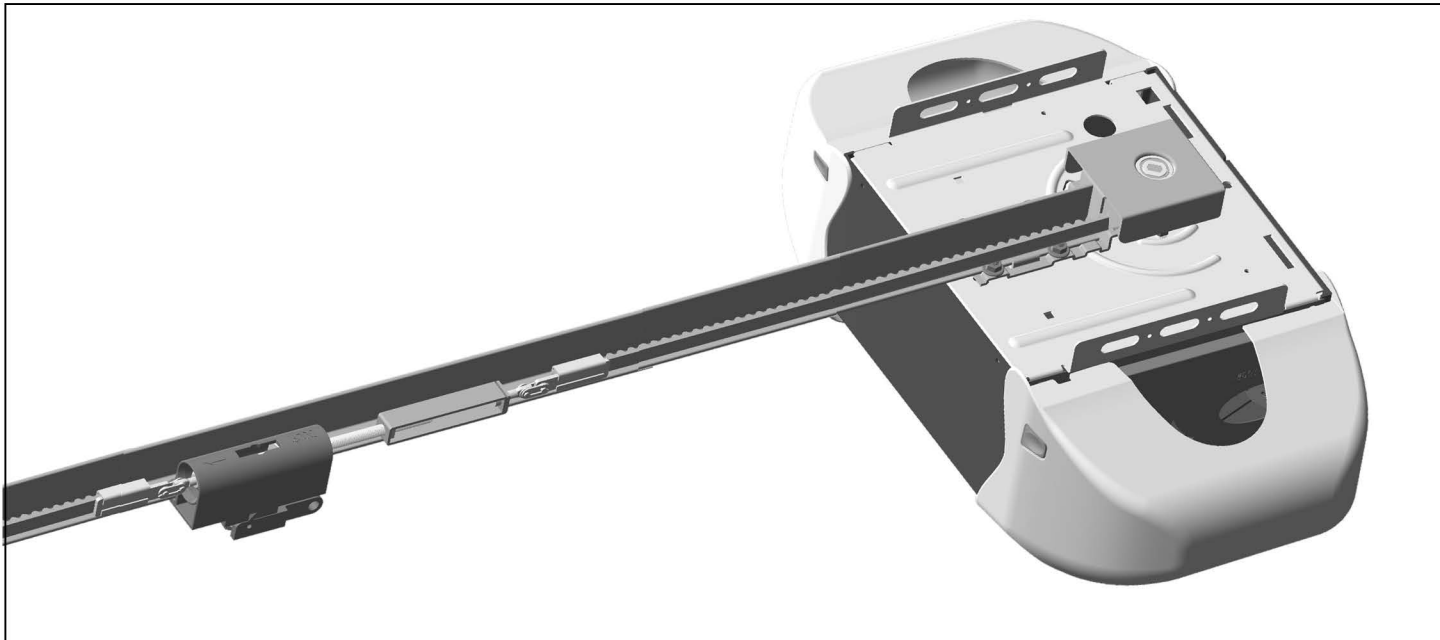
Secure the T-rail to the opener firmly using 1/4" flange nut x 4.

# Tension the Belt / Chain

## **WARNING**

To prevent **SERIOUS INJURY**:

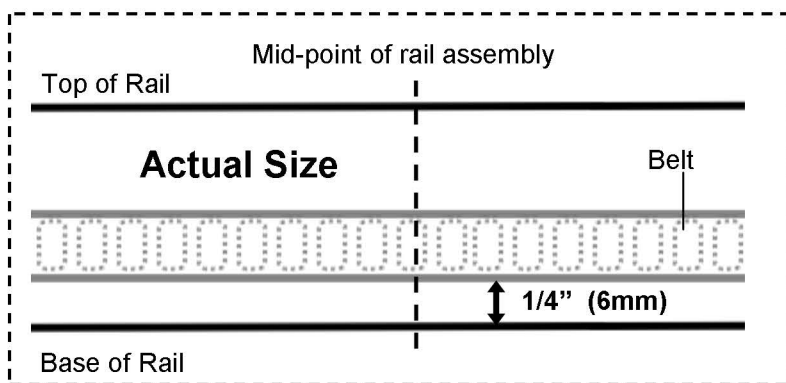
- DO NOT connect power until instructed.
- Keep hands and fingers clear from sprocket during operation.
- Wear gloves when installing chain/belt and cable.
- Keep hands and fingers away from joints and possible sharp edges.



**Note: The chain or belt rail assembly comes pre-tensioned from the factory.**

### Tension the Belt

1. Rotate the Shaft Linker towards the Trolley Shaft until the belt is slightly loose about 1/4" (6mm) above the base of the rail, referring to the actual-sized illustration below.



2. Tighten the Flange Nut on Trolley Shaft against the Shaft-Linker.

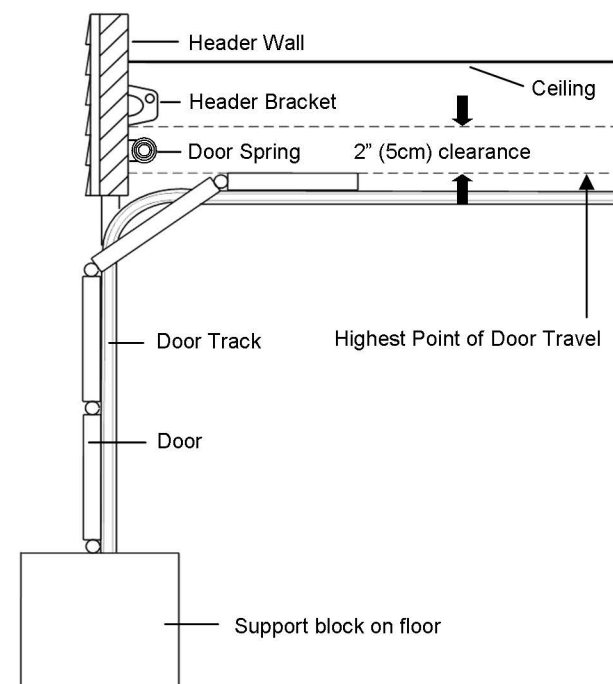
Remove the temporary screw driver holding the position of the trolley.

# Mounting Header Bracket

## WARNING

To prevent **SERIOUS INJURY**:

- DO NOT connect power until instructed.
- The Header Bracket **MUST** be **SECURELY** fastened to the structural support on the mounting wall or ceiling, otherwise the door may not reverse when required. DO NOT install the Header Bracket over drywall.
- Concrete anchors **MUST** be used when mounting the Header Bracket into masonry.
- **NEVER** try to loosen, move or adjust garage door springs, cables, Pulleys, Brackets, or hardware, all of which are under **EXTREME** tension.
- Contact a qualified garage door service technician if your door binds, sticks or is unbalanced. An unbalanced door might not reverse when required.



**Fig.1**

### To Install Header Bracket

**Note:** Installation procedures may vary according to door type.

1. While inside your garage, close the door and mark the vertical centerline of the garage door. Extend the line onto the header wall above the door spring.
2. Open the door to the highest point of travel. Mark a line on the header wall 2" (5cm) above the highest point of travel.

**Note:** DO NOT install the Header Bracket over drywall. In some installations, it may be necessary to install a 2x4 across two wall studs to create a suitable location for the Header Bracket.

If installing into masonry, use concrete anchors (not provided).

### Wall-Mounting

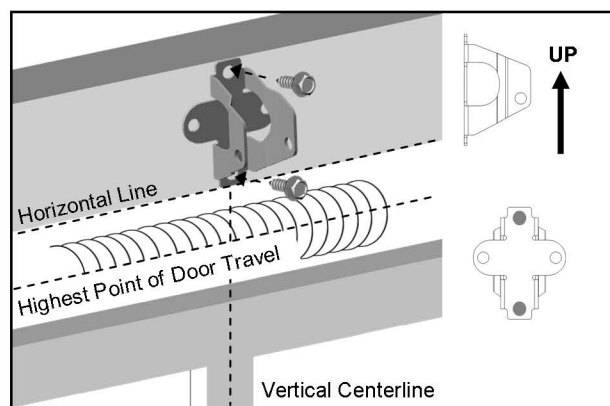
As shown in Fig.2, place the Header Bracket on the vertical centerline in direction shown.

Mark and drill two 3/16" holes. Fasten the Header Bracket securely to a structural support using two 5/16" x 1-1/2" Lag Screws.

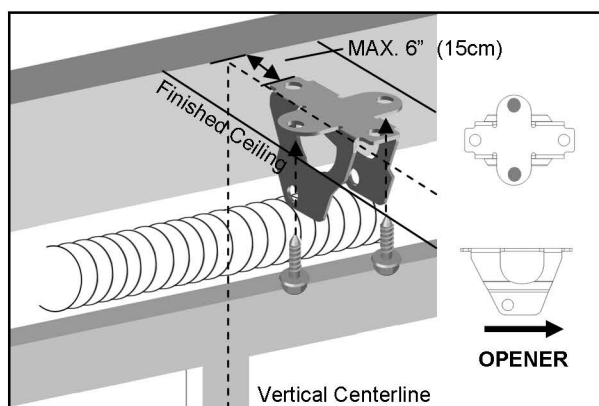
### Alternative Ceiling-Mounting

Ceiling-mounting is suggested **ONLY** when clearance is minimal.

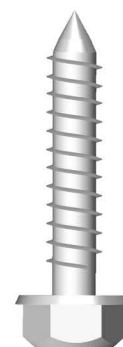
Extend the vertical centerline onto the ceiling as shown in Fig.3. Center the Header Bracket on the vertical mark, no more than 6" (15cm) from the header wall. Mark and drill holes to fasten the Header Bracket securely to a structural support.



**Fig.2 (Wall-Mounting)**



**Fig.3 (Ceiling-Mounting)**



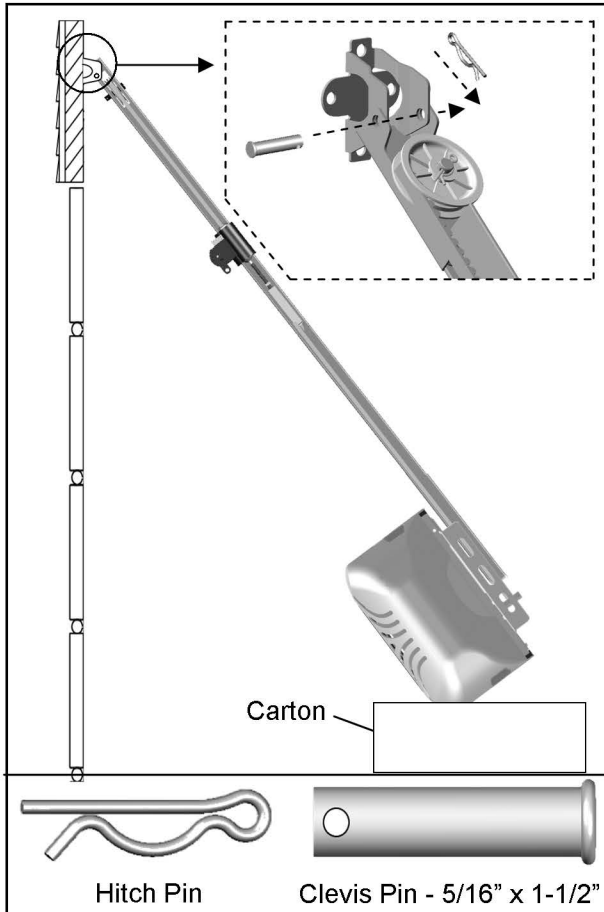
Lag Screw  
5/16" x 1-1/2"

# Attaching Rail to Header Bracket and Mounting Door Bracket

## CAUTION

To prevent **SERIOUS INJURY**:

- DO NOT connect power until instructed.
- REINFORCEMENT is recommended for fiberglass, aluminum or lightweight steel garage doors BEFORE installing the door Bracket. Contact your door manufacturer for reinforcement options.



**Fig.1**

### To Attach the Opener to the Header Bracket

1. As shown in Fig.1, use the packaging carton as temporary support for the Opener. Place the Opener on carton to prevent damage.
2. Align the mounting hole on the header rail to the mounting hole on the Header Bracket.
3. Connect the Header Rail and the Door Bracket together with a 5/16" x 1-1/2" Clevis Pin and lock it in place with a Hitch Pin.

### To mount the Door Bracket

**Note:** Some door reinforcement kits may provide direct attachment of the door arm to the reinforcement bracket. If you have a door reinforcement bracket with this option, skip this step and proceed with the next step "Mounting Opener to Ceiling".

1. Position the Door Bracket on the centerline of the door approximately 2" - 4" (5-10cm) below the top edge of the door, as shown in Fig.2.
2. Depending on the construction of your door, install using one of the steps shown in Fig. 3 below:

#### For steel / lightweight doors with vertical steel reinforcements / factory reinforced.

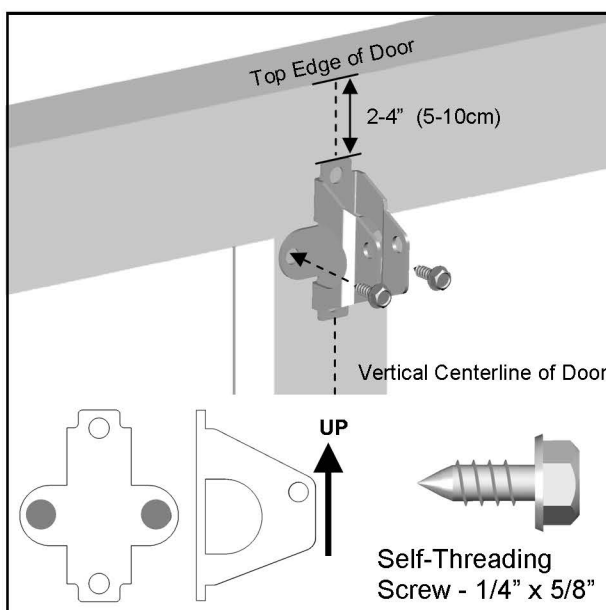
(a) Mark and drill two 3/16" holes. Make sure not to drill through the garage door. Secure the Door Bracket with two 1/4" x 5/8" Self-Threading Screws (provided) as shown in Fig.3(a).

(b) Alternative installation: Drill two 5/16" holes through the door. Secure the Door Bracket using two 5/16" Bolts, lock washers and nuts (not provided) as shown in Fig.3(b). The length of bolts will depend on the thickness of your door.

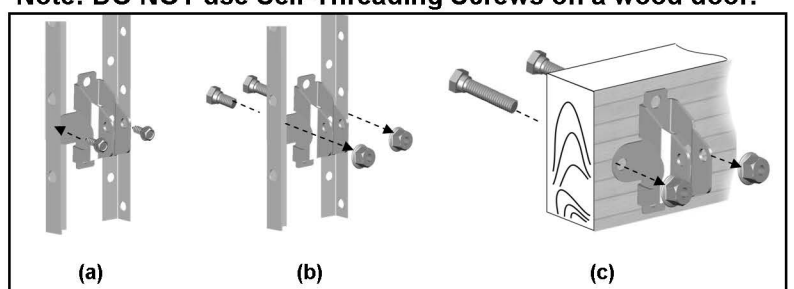
#### Wood door

(c) Mark and drill two 5/16" holes through the garage door. Secure the Door Bracket using two 5/16" carriage bolts, washers and nuts (not provided) as shown in Fig.3(c). The length of bolts will depend on the thickness of your door.

**Note: DO NOT use Self-Threading Screws on a wood door.**



**Fig.2**



**Fig.3**

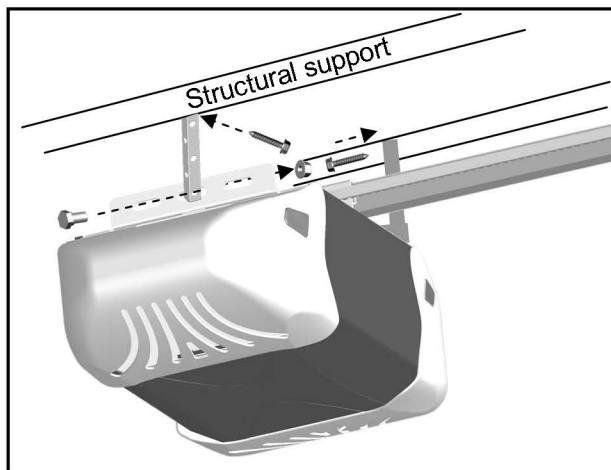


# Mounting Opener to Ceiling

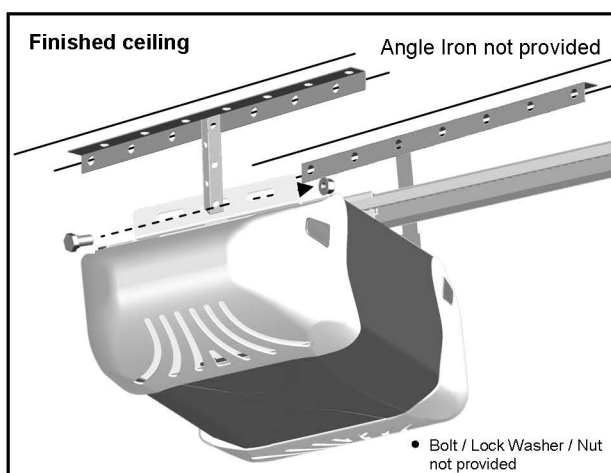
## WARNING

To prevent SERIOUS INJURY or DEATH:

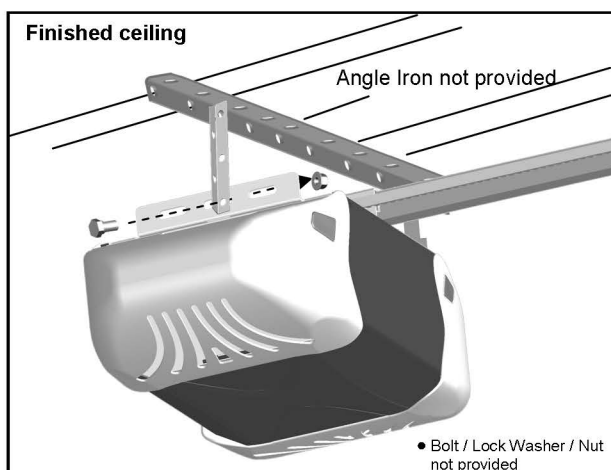
- DO NOT connect power until instructed.
- Install the Opener at least 7 feet (2.13m) above the floor.
- Fasten the Opener SECURELY to STRUCTURAL SUPPORTS of the garage to prevent falling.
- If installing Brackets to masonry, concrete anchors (not provided) MUST be used.



**Fig.1**



**Fig.2**



**Fig.3**

### To Mount the Opener to Ceiling

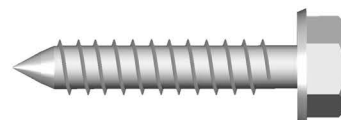
The three most common installation options are shown in Fig.1-3.

Fig.1 shows mounting the Opener directly to structural support on the ceiling. Fig.2 and 3 show mounting on a finished ceiling, with heavy duty angle iron\*. \*(angle iron not included)

Determine the mounting option that works best for your application and follow installation steps below:

1. Raise the Opener and rail assembly and temporarily place it on a stepladder.
2. Position the Opener and rail assembly so that it is aligned to the center line of the garage door. If the Header Bracket was mounted off center, align the Opener with the Header Bracket.
3. Measure the distance from each side of the Opener to the structural supports.
4. Cut both Hanging Brackets\* to appropriate length  
\*(Hanging Bracket not included)
5. Drill 3/16" holes in the structural supports.
6. Secure one end of each of the Hanging Brackets to the structural supports using 5/16" x 1/2" Lag Screws (provided).
7. Secure the Opener to the Hanging Brackets and secure each side with a 5/16" x 1" Bolt and Flange Nut (provided).
8. Move the door manually to check clearance between highest point of travel of the door and rail. If the door hits the rail, raise the Header Bracket or adjust the mounting of Opener.
9. Remove the ladder ONLY when the Opener is securely mounted to the structural supports.

### Fastening Hanging Brackets to structural supports

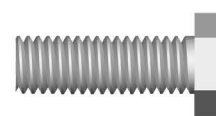


Lag Screw 5/16" x 1-1/2"

### Securing Opener to Hanging Brackets



Flange Nut



Bolt 5/16" x 1"

# Attaching Door Arms

## WARNING

To prevent **SERIOUS INJURY**:

- DO NOT connect power until instructed.
- Keep hands and fingers away from the sprocket during operation.
- Wear gloves when installing chain/belt and cable.
- Keep hands and fingers away from joints and possible sharp edges.

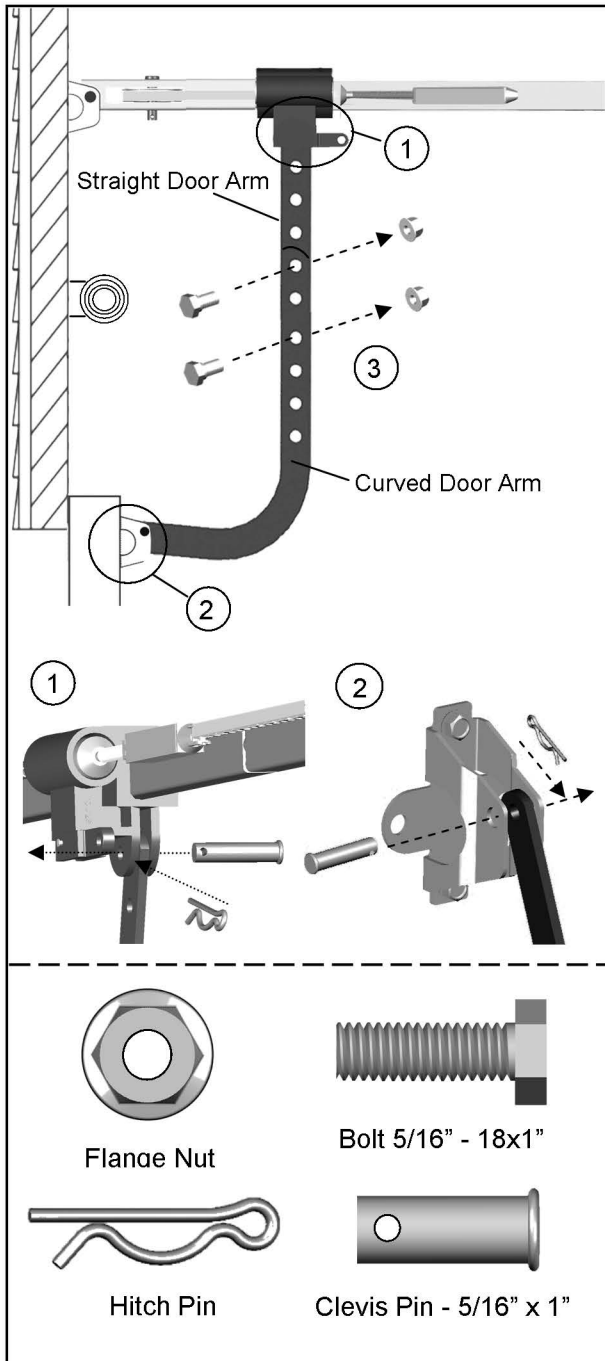


**NOTE: The straight door arm must be installed vertically to the door when door is at closed position.**

### To Connect Door Arm

Follow the steps shown in Fig. 1

1. Fasten the Straight Door Arm to the Trolley with a 5/16" x 1" Clevis Pin and lock it with a Hitch Pin.
2. Fasten the Curved Door Arm to the Door Bracket with 5/16" x 1" Clevis Pin and lock it with a Hitch Pin.
3. To connect the door arms together, choose two pairs of holes which are as far apart as possible. Fasten the arms using two 5/16" x 1" Bolts and Flange Nuts.



**Fig.1**

# Installing Light and Emergency Release Handle

## **WARNING**

To prevent **SERIOUS INJURY** or **DEATH** from electrocution:

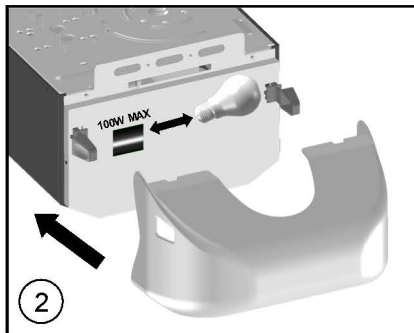
- Disconnect power cord before installing/replacing light bulb.

To prevent possible **OVERHEATING** or damage to Opener:

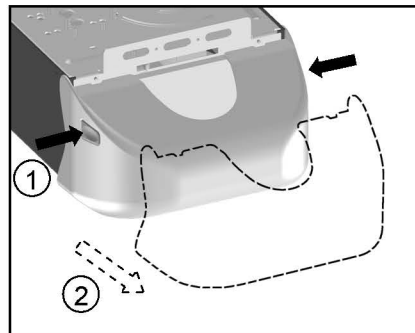
- Use **ONLY** A19 (E26) incandescent bulbs (100W max.).

- **DO NOT** use short neck or specialty light bulbs.

- **DO NOT** use halogen bulbs.



**Fig.1**



**Fig. 2**

**To install light bulb as shown in Fig.1:**

1. Install a standard A19 (E26) 100 watt maximum light bulb.

2. Re-attach the Lamp Dome.

**To replace light bulb as shown in Fig.2:**

1. Press the release buttons and detach it from the Opener.

2. Replace light bulb and reattach the lamp dome.

### **Notice**

When replacing the light bulb, make sure the bulb on the Opener has cooled down to prevent injury.

## **WARNING**

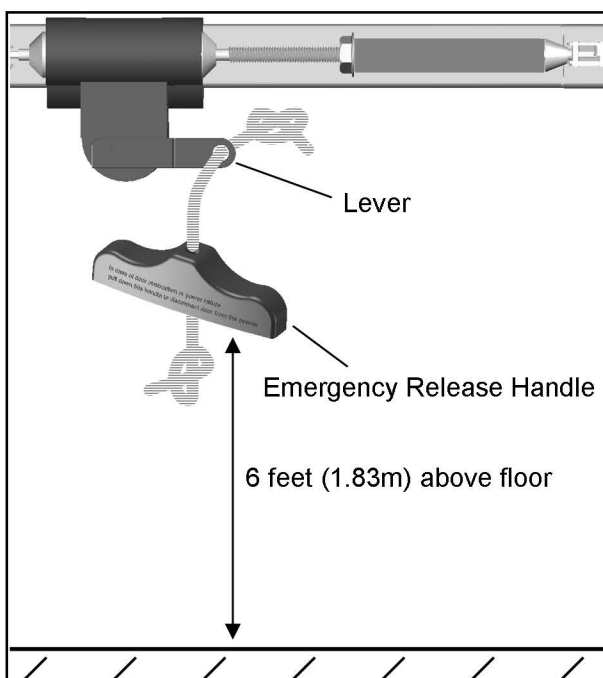
To prevent **SERIOUS INJURY** or **DEATH** from a falling garage door:

- In case of power failure or door obstruction, **PULL EMERGENCY HANDLE** to release door from Opener.

- When Emergency Release is in the released position, the door can be operated manually.

- To reconnect, flip the lever on the Trolley towards Opener, back to Connect position, it will reconnect automatically upon pressing Push Button or Remote Control.

- **DO NOT** use Emergency handle to pull the door open or closed.



**Fig. 2**

### **Safety Notice**

Mount the emergency release within reach, but at least 6 feet above the floor and avoiding contact with vehicles to avoid accidental release.

### **To attach the Emergency Release Handle:**

1. Thread one end of the rope through the hole of the Emergency Release Handle and secure with an overhand knot.

2. Thread the other end of the rope through the hole in the Trolley lever.

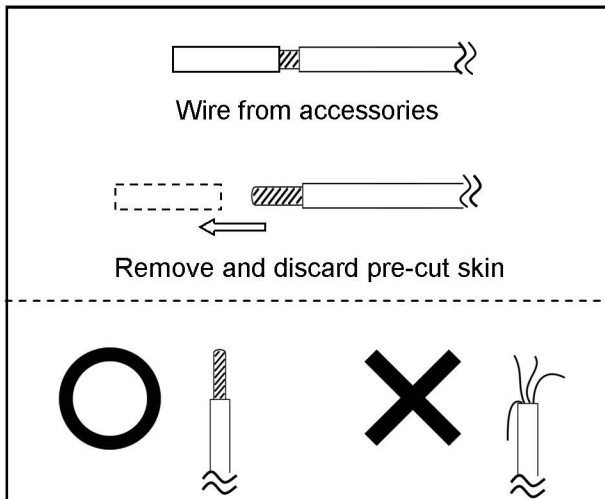
3. Measure the rope length so that the handle is 6 feet (183cm) above the floor and is clear from the top of your vehicle. Secure with a overhand knot.

# Wiring Instructions

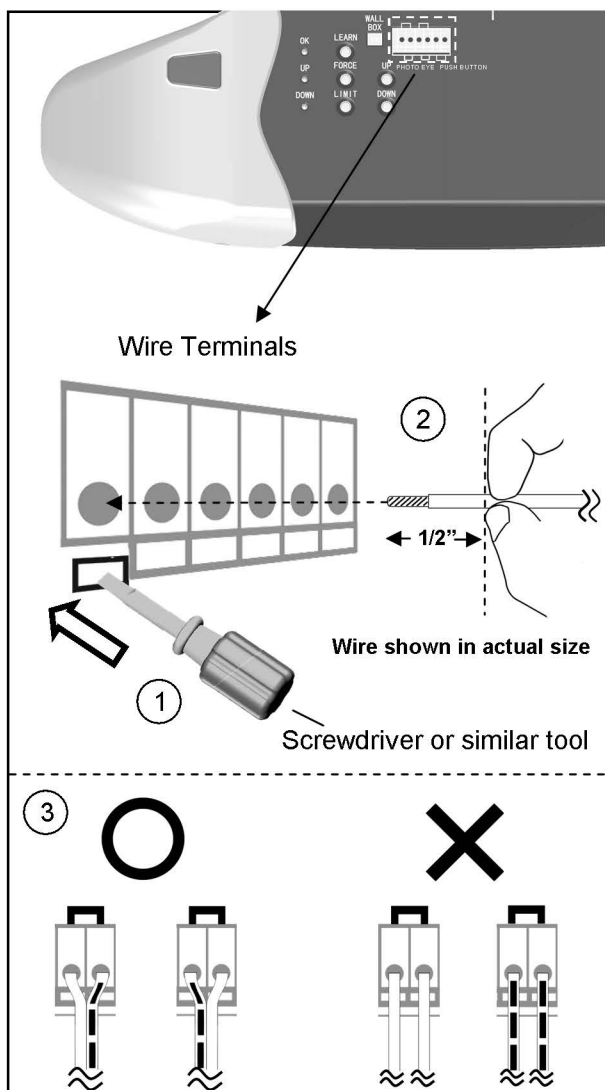
## WARNING

To prevent **SERIOUS INJURY** or **DEATH** from electrocution:

- Power **MUST NOT** be connected until instructed.
- **NO** exposed part of the wire should be visible outside of the terminal for proper connection.



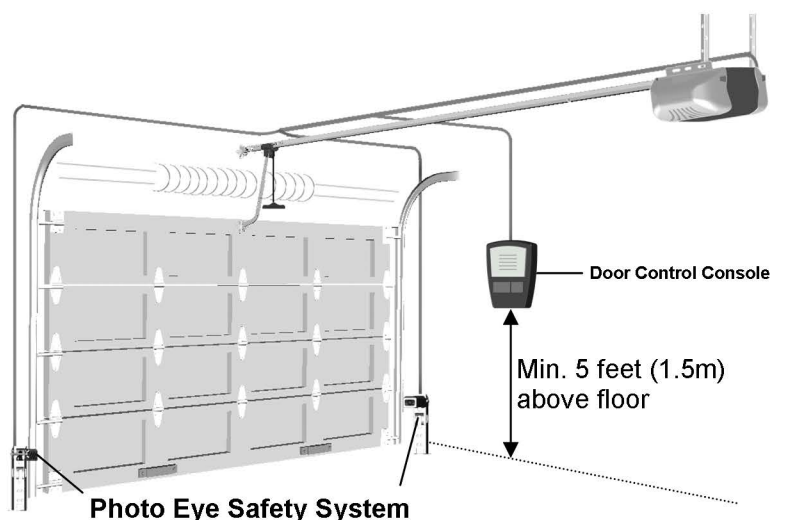
**Fig. 1**



**Fig. 2**

In the following section, the **Photo Eye Safety System** and **Push Button** will be connected to the **Opener**. Please read and understand the wiring instructions before connecting wires.

1. Remove the pre-cut skin on the open end of wire from accessories. Wires **MUST NOT** be frayed and connected properly as shown in Fig.1.
2. To connect a wire to an assigned terminal, use a small “flat head” screwdriver to push in the orange tab on the Wire Terminal as shown in Fig.2.
3. Insert approximately 1/2” (13mm) of the wire into the terminal while pushing in the tab as shown in Fig.2.
4. Each accessory requires a pair of terminals, Each pair of terminals **MUST** be connected with one white wire and one striped wire (non-polarized) from the **SAME** accessory as shown in Fig.2.
5. Check for proper connection by gently pulling on the wire. The wire should not come out of the terminal. **NO** exposed part of the wire should be visible outside of the terminal.
6. Use the insulated staples provided to secure the wires to the wall and/or ceiling. Be careful not to damage the wires while securing the staples.



# Connecting Photo Eye Safety System

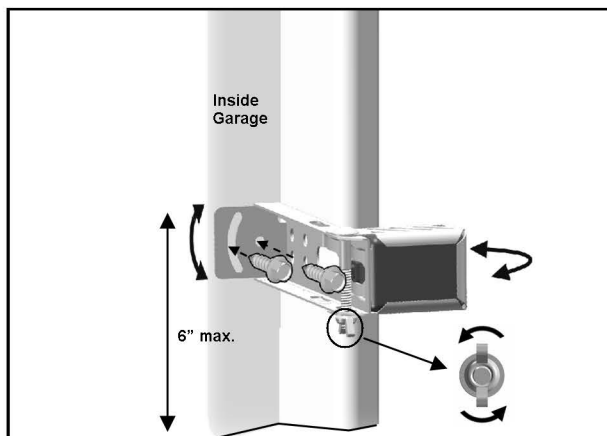
## **WARNING**

To prevent **SERIOUS INJURY** or **DEATH** from electrocution:

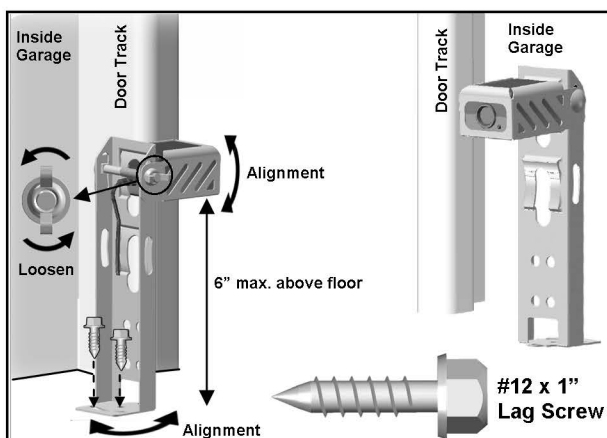
- Power **MUST NOT** be connected **BEFORE** Photo Eye Safety system is connected and aligned.
- The Opener will not operate until the Photo Eye Safety System is properly connected and aligned.
- Install the Photo Eyes **NO** higher than 6" (15cm) above the floor.



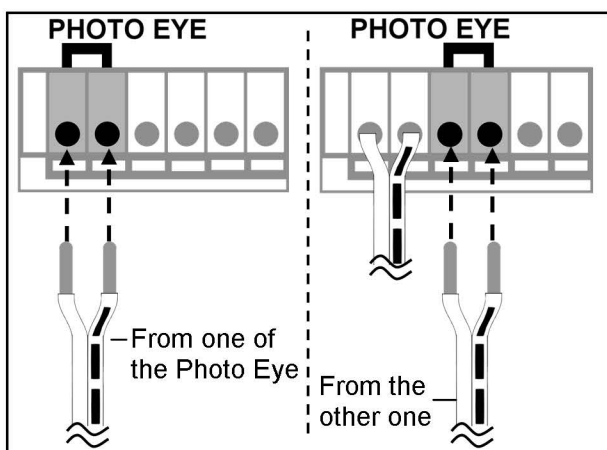
No part of garage door or other objects should obstruct the Photo Eye Safety System during door-closing.



**Fig. 1 (Wall Mount)**



**Fig. 2 (Floor Mount)**



**Fig. 3**

## About the Photo Eye Safety System

The Photo Eye Safety System provides protection against entrapment while the door is closing. When properly connected and aligned, the emitter Photo Eye emits an invisible infrared light beam while the Sensor Photo Eye monitors that beam.

If the beam is obstructed during door-closing, the entrapment protection will be triggered and the door will stop and reverse to the open position. The courtesy light will flash for 30 seconds indicating an obstruction.

## Installing The Photo Eye Safety System

### Wall-mounting

1. Place the Photo Eyes facing each other on each side of the garage door. Position the sensors so they are no higher than 6" (15cm) above the floor, as shown in Fig.1.
2. Drill 3/16" holes using the mounting holes on the Bracket as a template. Secure with #12 x 1" Lag Screws (provided).
3. To adjust the position, loosen the wing nut, disassemble the Bracket and move the Photo Eye to the lower position on the holder.
4. If necessary, align the Photo Eyes by loosening the wing nut. (This step may be further required in **Aligning the Photo Eye Safety System** on page 16.)

### Alternative Floor-mounting

1. Place the Photo Eyes facing each other on each side of the garage door, as shown in Fig.2.
2. If attaching to concrete, secure the photo eyes using concrete anchors and bolts (not provided).
3. If necessary, align the Photo Eyes by loosening the wing nut. (This step may be further required in **Aligning the Photo Eye Safety System** on page 16.)

### To Connect Photo Eye Safety System

1. Connect a pair of wires from either one of the Photo Eyes to a pair of "PHOTO EYE" terminals on the rear of the Opener as shown in Fig. 3. Refer to **Wiring Instructions** on page 13 for proper connections.
2. Repeat above step to connect the other Photo Eye.
3. Refer to **Wiring Instructions** on page 13 to ensure wires are connected properly.

# Connecting Push Button \* (OPTIONAL)

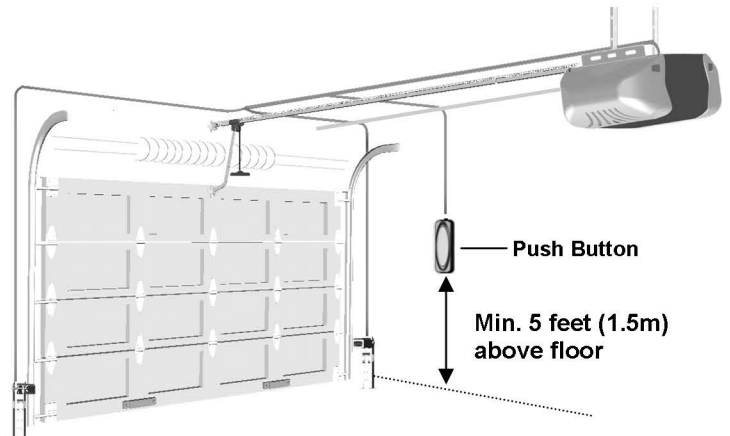
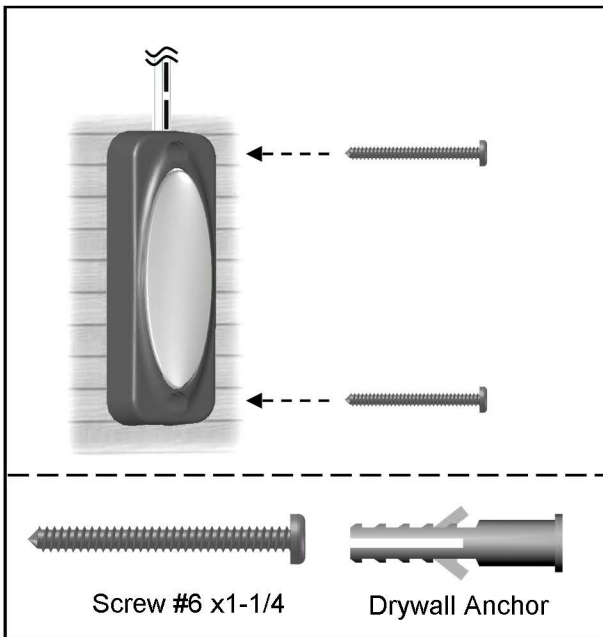
## **WARNING**

To prevent **SERIOUS INJURY** or **DEATH** from electrocution:

- Power **MUST NOT** be connected until instructed.

To prevent **SERIOUS INJURY** or **DEATH** from using the Push Button and a closing door:

- Install the Push Button within sight of the door at a minimum height of 5 feet (1.5m) above the floor. Make sure it is out of the reach of children and moving parts of door and hardware.
- **NEVER** permit children to access the Push Button or Remote Controls.
- Operate the door **ONLY** when it is adjusted properly with no obstructions present and is in clear sight.
- **ALWAYS** keep a moving door in sight until it's completely closed.
- **NEVER** cross the path of a moving door.



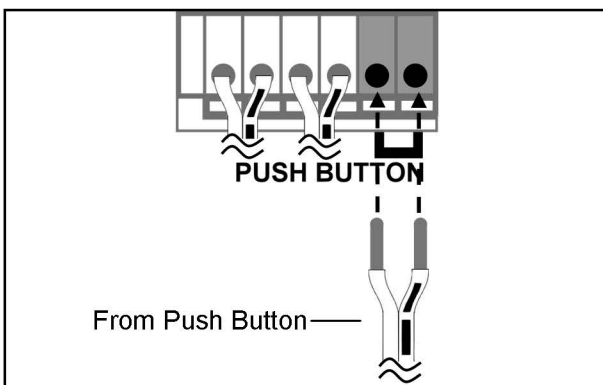
The Push Button is a wired, illuminated door control placed inside your garage.

### To install the Push Button:

1. Inside your garage, install Push Button within sight of the door at a minimum height of 5 feet (1.5m) off the ground. Ensure it is installed out of the reach of children and free from the moving parts of the door and hardware.
2. Securely fasten it to a solid surface with 1" screws. If attaching to drywall or other hollow surface, drill 3/16" holes and use the provided Drywall Anchors.

### To Connect the Push Button to the Opener

Connect the pair of wires from the Push Button to the pair of "PUSH BUTTON" terminals on the rear of the Opener. Refer to **Wiring Instructions** on page 12 to ensure wires are properly connected.



\* Optional Accessories

# Connecting Door Control Console \* (OPTIONAL)

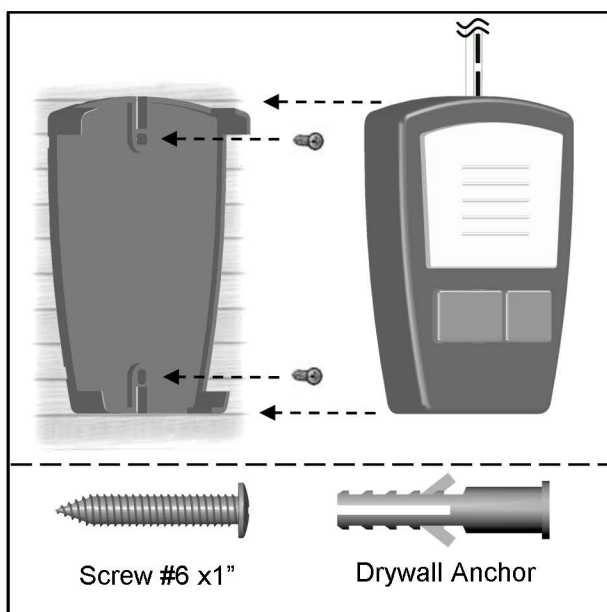
## **WARNING**

To prevent **SERIOUS INJURY** or **DEATH** from electrocution:

- Power **MUST NOT** be connected until instructed.

To prevent **SERIOUS INJURY** or **DEATH** from using the Door Control Console or Push Button and a closing door:

- Install the Door Control Console or Push Button within sight of the door at a minimum height of 5 feet (1.5m) above the floor. Make sure it is out of the reach of children and moving parts of door and hardware.
- NEVER permit children to access the Door Control Console , Push Button or Remote Controls.
- Operate the door **ONLY** when it is adjusted properly with no obstructions present and is in clear sight.
- ALWAYS keep a moving door in sight until it's completely closed.
- NEVER cross the path of a moving door.



**Fig. 1**

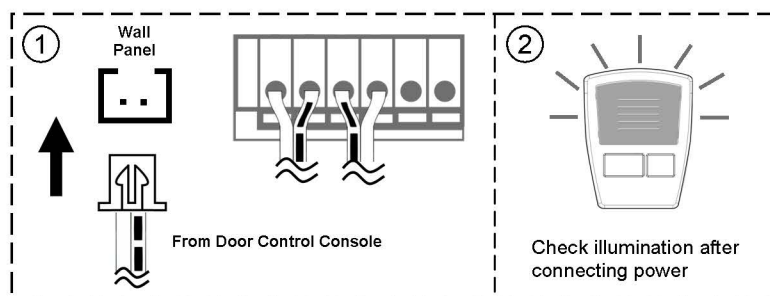
The Door Control Console is a wired, illuminated door control placed inside your garage.

### To install the Door Control Console:

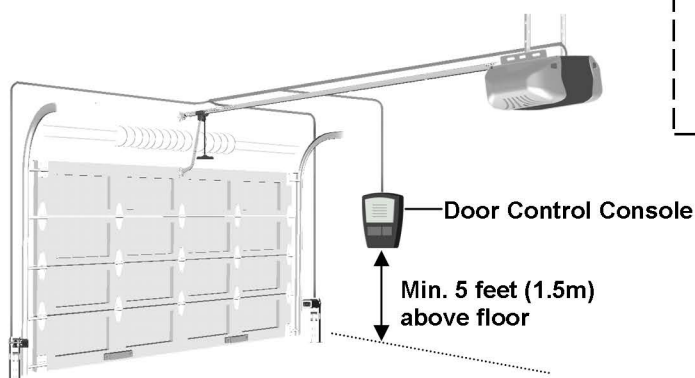
1. Inside your garage, install the back plate of the Door Control Console within sight of the door at a minimum height of 5 feet (1.5m) off the ground. Ensure it is installed out of the reach of children and free from the moving parts of the door and hardware.
2. Fasten it to a solid surface with 1" screws. If attaching to drywall or other hollow surface, drill 3/16" holes and use the provided Drywall Anchors.
3. Snap the Door Control Console onto the back plate.

### To Connect the Door Control Console to the Opener

Connect the plug from the Door Control Console to the "Wall Panel" outlet on the rear of the Opener, as shown in Fig.2.



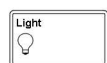
**Fig. 2**



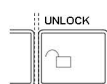
### Using the Door Control Console (ONLY after installation is completed )



**Door** — Press and release to access the door

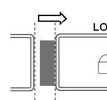


**Light** — Turns the courtesy light On/Off



#### Vacation Lock

**Unlock** — Door can be accessed by either Door button or controls



**Lock** — Prevent access of door by any controls and Door button.

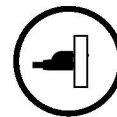
\* Optional Accessories

# Connecting Power

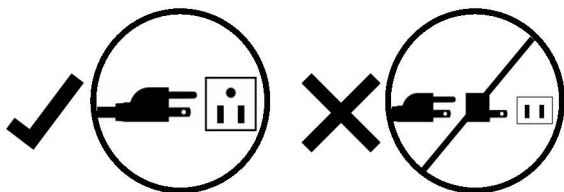
## **WARNING**

To prevent **SERIOUS INJURY** or **DEATH** from electrocution or fire:

- Power **MUST** be **DISCONNECTED BEFORE** proceeding with permanent wiring procedures.
- Garage Door Opener installation and wiring **MUST** be in compliance with all local electrical and building codes. Make sure the Opener is **ALWAYS** grounded.
- **NEVER** use an extension cord, 2-wire adapter or modify the power plug in any way to make it fit the outlet.



### Ordinary Power Connection



**DO NOT OPERATE OPENER AT THIS TIME.**

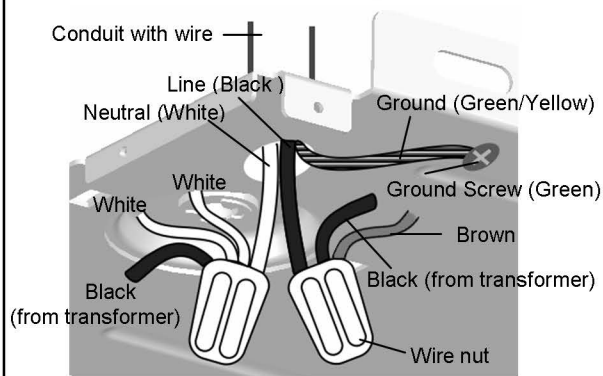
### To Connect Power

Plug the Opener into a grounded outlet **ONLY** if there is no grounded outlet present, call a qualified electrician to replace the outlet.

### Permanent Wiring (If Required by Local Code)

1. Remove the enclosure by removing the 6 screws located on the sides and rear of the Opener.
2. Cut the two wire connectors found inside and remove the power cord.
3. Group neutral (white) wires from power source with 2 white wires and 1 black wire from transformer inside the Opener. Connect them with a wire nut (not provided).
4. Group line (black) wires from power source with another black wire from transformer and a brown wire inside the Opener. Connect them with a wire nut (not provided).
5. Secure the ground (green or bare) wire from the power source with a grounding screw.
6. Reinstall the enclosure.
7. Turn on power supply. If the wiring is properly connected, a "click" should be heard and the light will illuminate (if a bulb is installed). If there is no response from the Opener, check power source and wiring.

### For Permanent Wiring ONLY

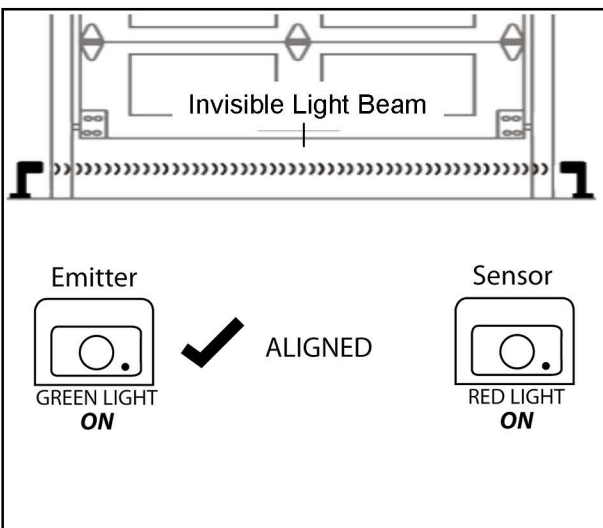
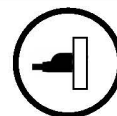


# Aligning the Photo Eye Safety System

## **WARNING**

To prevent **SERIOUS INJURY** or **DEATH** from a closing garage door:

- The Photo Eye Safety System **MUST** be installed **BEFORE** connecting power.
- The Photo Eye Safety System **MUST** be properly connected and aligned **BEFORE** operating the Opener.



### To Align the Photo Eye Safety System:

1. When the Photo Eye System is properly connected and the power is connected, one of the Photo Eyes will emit a steady green light. This Photo Eye is the Emitter that generates the Invisible Light Beam.
2. When properly aligned, the Sensor should emit a steady red light when it senses the invisible light beam from the Emitter.
3. If the indication is unsteady, flashes or is dim, check for any obstructions and adjust the position until the Sensor gives a **STEADY RED LIGHT**.

**Note:** The path of the invisible light beam **MUST NOT** be obstructed. No part of the garage door or any hardware should interfere with the beam or the Opener will not close the door.

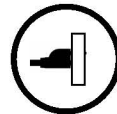


# Travel Limit Adjustment— I. UP Limit

## WARNING

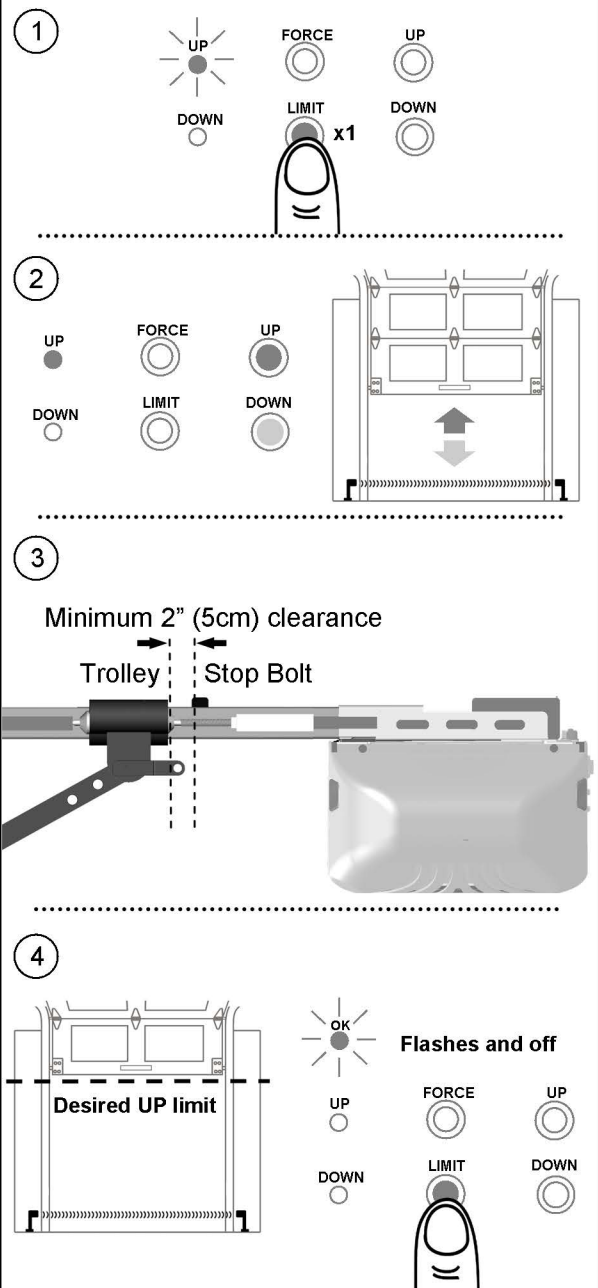
To prevent SERIOUS INJURY or DEATH from improper Force Adjustment:

- DO NOT adjust force to compensate binding or sticking of the garage door. Call a qualified garage door service person to make necessary adjustments in case of binding.
- DO NOT increase force beyond minimum force required for closing the door. Too much force will cause improper operation of safety reversal mechanism.
- After ANY adjustments, Safety Reverse Test MUST be performed to ensure the door reverses on contact with a 1.5" high object (2x4 laid flat).



**NOTICE:** This opener will not work until you set the travel limits and the travel force adjustment. The opener will beep 5 times if it is operated without programming.

### I. Setting UP Limit



### About Travel Limit Adjustment

Limit Adjustments regulate the fully-open (UP limit) position and fully-closed (DOWN limit) position, at which the door will stop when opening and closing.

**Make sure the trolley is engaged before proceeding adjustments.**

#### I. Setting UP Limit

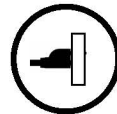
1. Press "LIMIT" button once to enter Travel Limit Adjustment. "UP" indicator (green) is on\*.  
\*NOTE: Once you have pressed and released the "Limit" button, the "UP" light will stay for 10 seconds for you to press the "UP" button and begin programming. If the "UP" light goes out before you are finished you need to start over.
2. Press & hold the "UP" button, the door travels up. You may use both "UP" or "DOWN" buttons to inch-adjust the door to the desired UP limit position.
3. Make sure there is enough clearance for your vehicle(s), and there is a minimum 2" (5cm) gap between Trolley and Stop Bolt.
4. Once the door is at the desired UP limit position, press "LIMIT" button once, "OK" indicator (orange) flashes and goes off. The UP limit is set.

# Travel Limit Adjustment— II. DOWN Limit

## **WARNING**

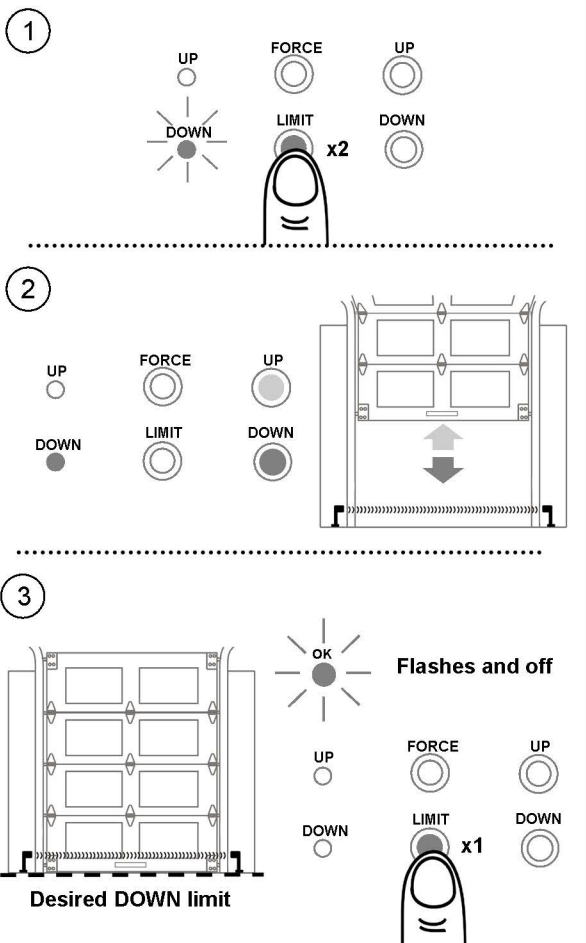
To prevent **SERIOUS INJURY** or **DEATH** from improper Force Adjustment:

- **DO NOT** adjust force to compensate binding or sticking of the garage door. Call a qualified garage door service person to make necessary adjustments in case of binding.
- **DO NOT** increase force beyond minimum force required for closing the door. Too much force will cause improper operation of safety reversal mechanism.
- After **ANY** adjustments, Safety Reverse Test **MUST** be performed to ensure the door reverses on contact with a 1.5" high object (2x4 laid flat).



**NOTICE:** The opener will not work until you set the travel limits and the travel force adjustment.

### II. Setting DOWN Limit



**CAUTION: WHILE SETTING THE DOWN LIMIT, CAREFULLY WATCH DOOR TRAVEL DISTANCE. RELEASE BUTTON WHEN THE DOOR MAKES CONTACT WITH THE GROUND!**

### II. Setting DOWN Limit

1. Following UP limit setting, press "LIMIT" button twice to enter DOWN-limit setting. "DOWN" indicator (red) is on\*.

\*NOTE: Once you have pressed and released the "LIMIT" button, it will stay for 10 seconds for you to press the "DOWN" button and begin programming. If the "DOWN" light goes out before you are finished you need to start over.

2. Press & hold the "DOWN" button, the door travels down. You may use both "UP" or "DOWN" buttons to inch-adjust the door to the desired DOWN limit position.
3. Once the door is at the desired DOWN limit position, press "LIMIT" button once, "OK" indicator (orange) flashes and goes off. DOWN limit is set.

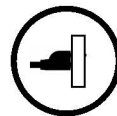
Both "UP" and "DOWN" (green and red) indicators are now on, indicating that both UP and DOWN limits are set, and the opener is ready for Auto Force Adjustment, see Page19.

# Auto Force Adjustment

## WARNING

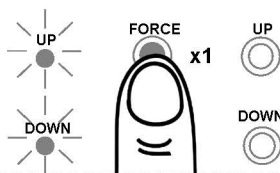
To prevent **SERIOUS INJURY** or **DEATH** from improper Force Adjustment:

- **DO NOT** adjust force to compensate binding or sticking of the garage door. Call a qualified garage door service person to make necessary adjustments in case of binding.
- **DO NOT** increase force beyond minimum force required for closing the door. Too much force will cause improper operation of safety reversal mechanism.
- After **ANY** adjustments, Safety Reverse Test **MUST** be performed to ensure the door reverses on contact with a 1.5" high object (2x4 laid flat).



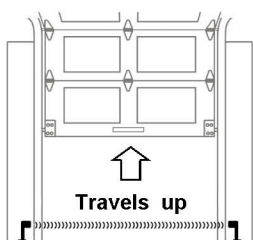
### Auto Force Adjustment

1

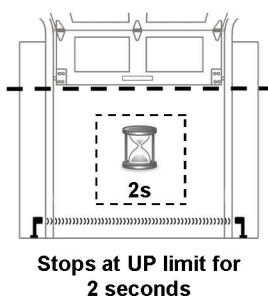


2

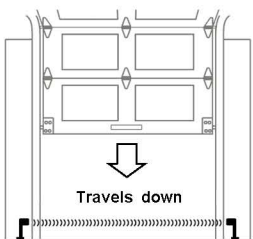
I



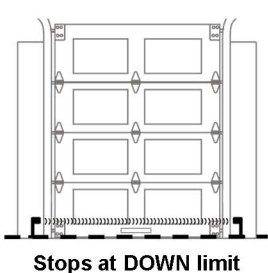
II



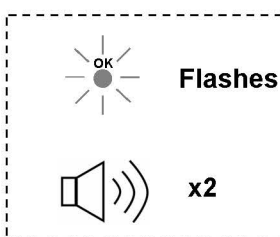
III



IV



3



Following limit-setting, the unit is now ready to automatically adjust the forces for opening and closing the door. Proceed with the following steps to complete adjustment.

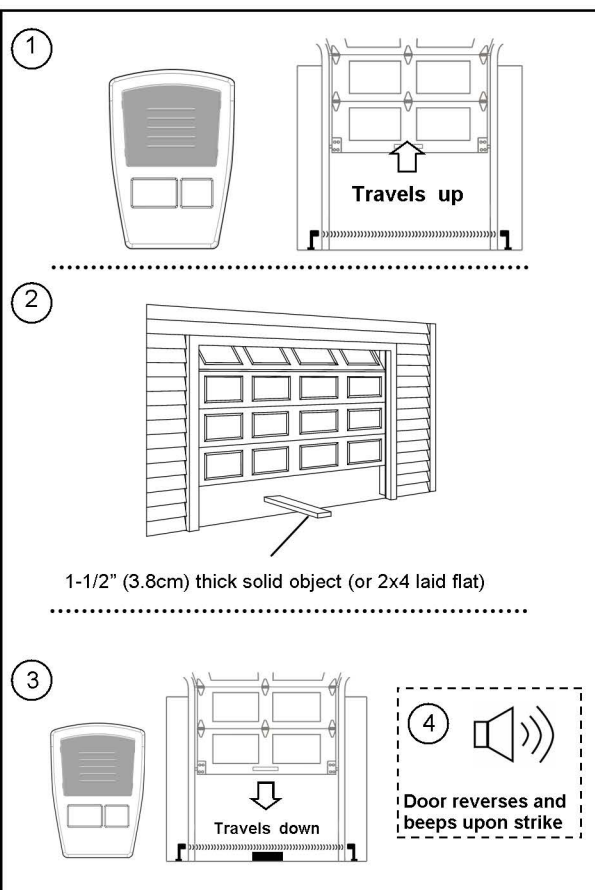
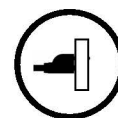
1. With both "UP" and "DOWN" indicators are on after Travel Limit Adjustment, press the "FORCE" button once to enter Auto Force Adjustment.
2. The door will travel up automatically (I) and stop at UP limit for 2 seconds (II). Door will then travel down automatically (III) and stop at down limit (IV).
3. The "OK" indicator (orange) will flash with beeps, the Auto Force Adjustment is completed.

# Final Adjustments and Testing

## **WARNING**

To prevent **SERIOUS INJURY** or **DEATH** from a closing garage door:

- The Safety Reversal Test **MUST** be conducted **ONCE A MONTH**.
- **NO ONE** should cross the path of moving door during operation and/or testing.
- If either Force or Travel limit adjustment is made, the other adjustment may also be needed.
- After **ANY** adjustments to the door system, the Safety Reverse Test **MUST** be performed to ensure the door reverses on contact with a 1-1/2" thick (2x4 laid flat) object.
- The Photo Eye Safety System **MUST** be properly aligned, and tested regularly.



### Testing the Safety Reverse System

**The Safety Reverse System prevents the door from closing when an obstruction is present.**

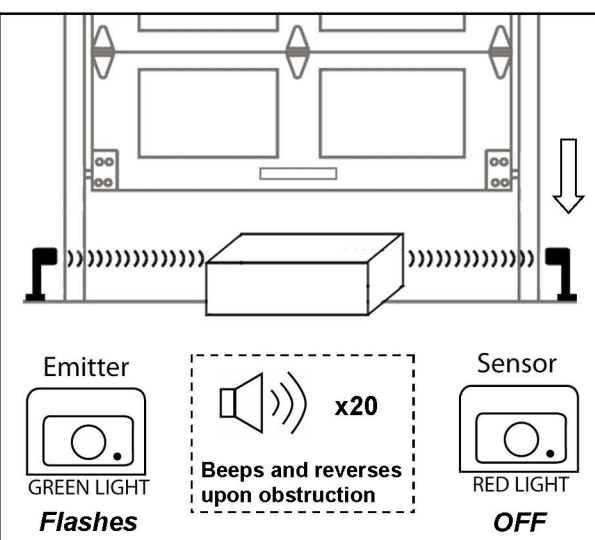
1. Open the door by using the Door Control Console.
2. Place a 1-1/2" (3.8cm) thick solid object (or 2x4 laid flat) on floor under the center of garage door.
3. Keeping the door in sight, use the Door Control Console to close the door.
4. The door **MUST REVERSE** and beep within 1.5 seconds upon striking the object, and stop at the fully open position.
5. The Safety Reverse System works properly and the opener is ready to use.

If the door fails to reverse upon contact with obstruction, adjust the Opener as follows:

The close travel maybe inadequate, reset down limit and force. (See **Travel Limit Adjustment** on page 16,17,18)

Conduct the test again. If the door reverses on contact, remove the object and run at least 3 **COMPLETE** travel cycles to ensure proper adjustment.

If the Opener still fails the Safety Reverse Test, call a qualified technician for door adjustment or call 1-877-436-4402.



### Testing the Photo Eye Safety System

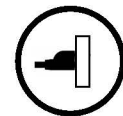
1. Open the door by using the Door Control Console.
2. Make sure both Photo Eyes steadily emit the green and red indicator lights. (If not, check alignment)
3. Place an object under the door about 8" (20cm) high by 12" (30cm) wide (the opener carton can be used),
4. The green indicator light on the emitter eye should flash.
5. The red indicator light on the sensor eye should be dimmed.
6. Keep the door in sight and use the Door Control Console, Push Button or Transmitter to try to close the door.
7. The door should **NOT** move more than 1" (2.5cm) and the opener will beep and flash 20 times.

# Programming Remote Controls

## WARNING

To Prevent **SERIOUS INJURY** or **DEATH**:

- Keep remote control and battery out of reach of children.
- **NEVER** permit children to access the Door Control Console, Push Button nor Remote Controls.
- Operate the door **ONLY** when it is properly adjusted, and there are no obstructions present.
- **ALWAYS** keep a moving door in sight until completely closed. **NEVER** cross the path of a moving door.



To reduce risk of fire, explosion or electric shock:

- **DO NOT** short circuit, recharge, disassemble or heat the battery.
- Replace with **23AE 12 Volt batteries ONLY**. Dispose of batteries properly.

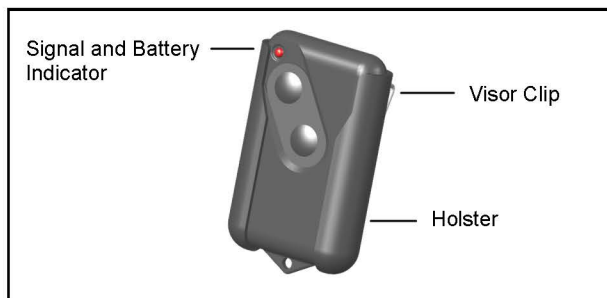


Fig.1

### To Program Remote Control (s):

1. Press/release the "LEARN" button once on the rear control panel, "OK" LED will glow and beep. The unit is now ready to accept a remote control in the next 30 seconds as shown in Fig.2.
2. Press/release any desired button on the Remote Control.
3. The "OK" LED will flash and beep twice indicating Remote Control is stored successfully.

Up to 20 Remote Controls (including wireless keypad codes) can be added to the unit by repeating the above procedures.

If more than 20 Remote Controls are stored, the first stored Remote Control will be replaced. (i.e. the 21st Remote Control replaces the 1st stored Remote Control.)

### Removing ALL Remote Controls:

To remove ALL Remote Controls from memory, press and hold the "LEARN" button for 5 seconds. The "OK" LED will flash and beep 2 times indicating. ALL Remote Controls have been removed from memory.

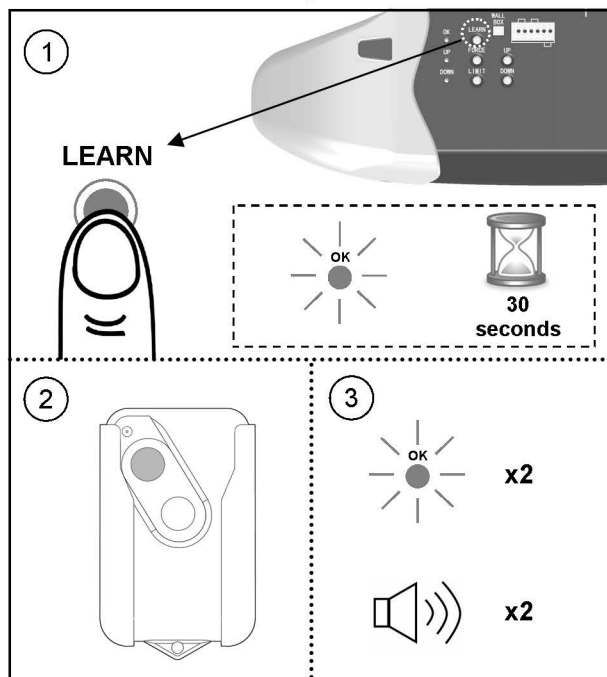


Fig.2

### Replacing Remote Control Battery:

When the battery of the Remote Control is low, the indicator light will become dim and/or the range of the Remote Control will decrease. To replace the battery, remove the battery cover from the Remote Control as shown in Fig.4. Replace with a 23AE 12 volt alkaline battery with polarity shown in Fig.3.

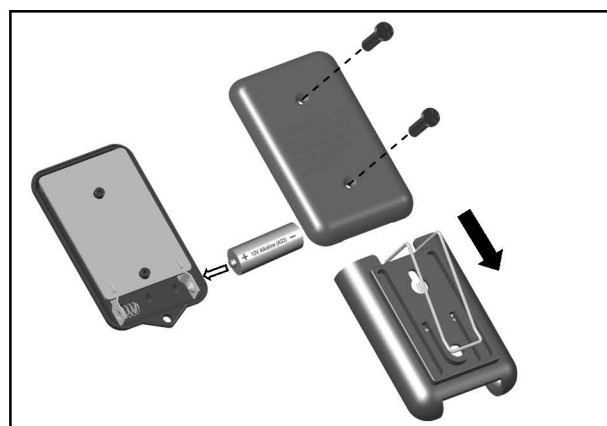


Fig.3

This device complies FCC Rules for HOME OR OFFICE USE. Operation is subject to the following two conditions: (1) this device may not cause harmful interference, and (2) this device must accept any interference received, including interference that may cause undesired operation.

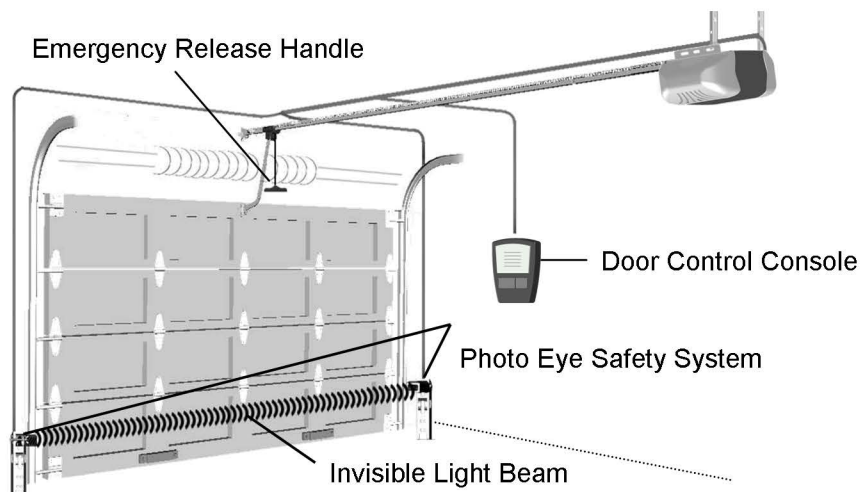
# Operating the Opener

## **WARNING**

To Prevent **SERIOUS INJURY** or **DEATH**:



- READ AND FOLLOW ALL INSTRUCTIONS AND WARNINGS IN THE OWNER'S MANUAL AND LABELS
- Keep Remote Control and battery out of reach of children.
- NEVER permit children to access the Door Control Console, Push Button or Remote Controls.
- Operate the door ONLY when it is properly adjusted, and there are no obstructions and is in clear sight.
- ALWAYS keep a moving door in sight until completely closed. NEVER cross the path of a moving door.
- If Travel limit adjustment is made, Force Adjustment may also needed.
- After ANY adjustments, the Safety Reverse Test MUST be performed to ensure the door reverses on contact with a 1-1/2" thick object (2x4 laid flat).
- ALWAYS ensure that your door is balanced and in good working condition.

**Attach the protective cover to the opener after installation and adjustment is completed.**



**Actual Operating Scenario**


### Activating the Opener

Controls	Operation
 <p>Door Control Console (Indoor)</p>	<p>Momentary press the "DOOR" button on the Door Control Console, the door starts to move, and controls as follows:</p> <ul style="list-style-type: none"> <li>- Open or close the door.</li> <li>- Reverse the door while it is closing</li> <li>- Stops the door while it is opening.</li> </ul> <p>Constant press to close the door when the Photo Eye Safety System is not installed, misaligned or obstructed INTENTIONALLY. Press and hold the button until door is fully closed.</p>
 <p>Remote Control</p>	<p>Remote distance up to 100ft. in open field.</p> <p>For safety concerns, the Remote Control WILL NOT work if the Photo Eye Safety System is not properly installed and aligned.</p>
<p>Wireless Keyless Entry Keypad*</p>	<p>Program the Wireless Keyless Entry Keypad accordingly and access the door using the PIN code.</p>


\*Optional

# Operating the Opener

## Door Status vs. Activation

Door status	 <b>Activation using Door Control Console / Remote Control</b>
Door at fully open / close position	Door will move to fully close / open position
Door is closing	Door will reverse
Door is opening	Door will stop
Door is stopped as intended in partially open position	Close
Door is obstructed while closing	Door will reverse while flashing courtesy light
Door is obstructed while opening	Door will stop
Door is fully opened and Photo Eye System is obstructed	Door will not close

## Courtesy Light / Buzzer Responses

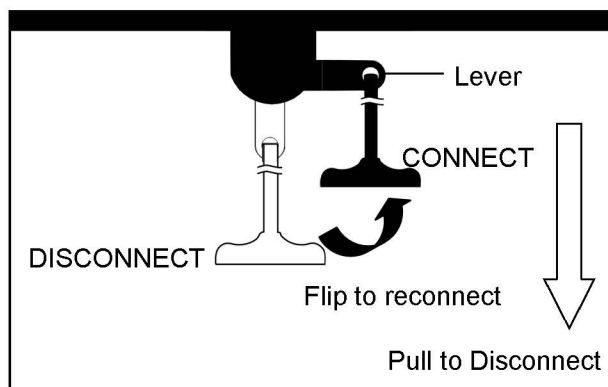
Operation / Condition	 <b>Courtesy Light / Buzzer Responses</b>
Opener is initially plugged-in (no travel limits stored)	Flash x 5
Reconnecting power (with travel limits stored)	Flash x 3
"LEARN" button is pressed	Beep x 1
Upon activation	Light On for 4.5 minutes
Upon activation by remote controls	Beep x 1, Light On for 4.5 minutes
Remote Control / Keyless Entry PIN code accepted	Beep x 2
Opener is operated without programming	Beep x 5
Door travels with abnormal speed	Beep x 12 (1 beep / second)
Photo Eye System is obstructed during door-closing	Beep x 20
The door is obstructed during travel	Beep x 25

## Manual Operation

### **WARNING**

To Prevent **SERIOUS INJURY** or **DEATH**:

- Use Emergency Release to disconnect Trolley **ONLY** when the door is **CLOSED** to prevent unexpected rapid falling in case of a unbalanced / poor-conditioned door.
- Use Emergency Release **ONLY** when doorway is clear of persons and obstructions.
- **DO NOT** use Emergency Release to pull the door open or closed.



In case of a power failure or door obstruction, **PULL EMERGENCY Handle** to release door from Opener.

### **To Disconnect Trolley for Manual Operation**

With the door closed, pull down the emergency release handle to the **DISCONNECT** position. The door can be raised / lowered manually.

### **To Re-connect Trolley**

Pull the Handle toward the Opener so that the lever will flip up to the **CONNECT** position. The Trolley will reconnect itself when the Opener is activated or when the door is manually opened/closed.

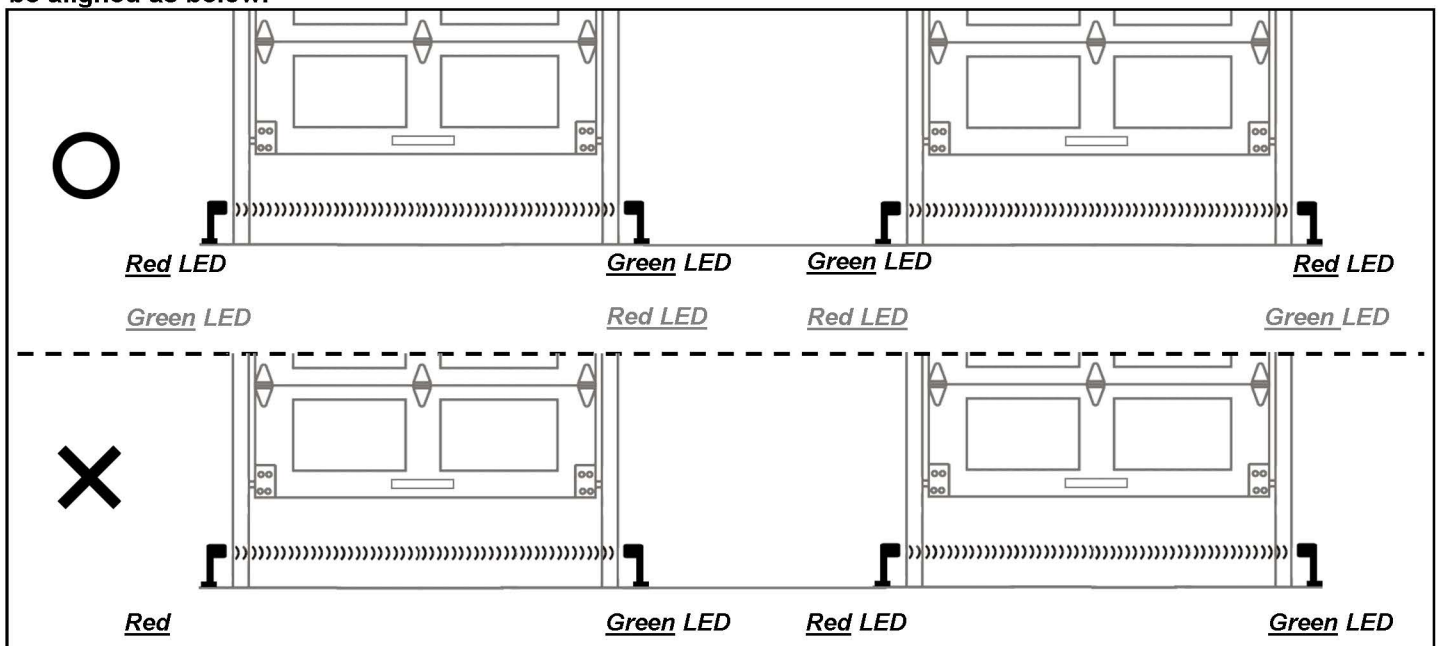
# Maintenance

Schedule	Maintenance
Once a month	Door balance test, refer to page 4. Safety reverse test, refer to page 20.
Twice a year	Check chain/belt tension ( refer to page 6 for adjustment if necessary).
Once a year	<ul style="list-style-type: none"> <li>- Limit and Force adjustment may be necessary due to weather conditions. Refer to pages 17-19 for adjustment. Conduct Safety Reverse Test after ANY adjustments.</li> <li>- Lubricate door rollers, bearings and hinges. The Opener is permanently lubricated, DO NOT lubricate or grease the Opener, rail or door tracks.</li> </ul>

# Troubleshooting

Problem	Possible Cause / Solution
Opener does not close and beeps	The Photo Eye may be obstructed, not properly aligned or installed, check connection and alignment referring to pages 13 & 16.
Opener does not respond to Remote Control	<ul style="list-style-type: none"> <li>- Refer page 21 to reprogram Remote Control.</li> <li>- Check Remote Control battery.</li> </ul>
Opener stops before reaching full open / close position	Travel Limit is not properly adjusted, check adjustment referring to pages 17-19. Conduct Safety Reverse Test after ANY adjustment.
The door reverses unintentionally	<ul style="list-style-type: none"> <li>- Make sure the Photo Eye Safety System is aligned and clear of obstructions.</li> <li>- If door is replaced or door condition has significant changes, <ul style="list-style-type: none"> <li>- Refer to page 4 to check the door balance</li> <li>- Refer to page 17-19 to re-adjust Travel Limits and Travel Force.</li> </ul> </li> </ul>
The door reverses upon touching the floor and the courtesy light flashes	Refer to page 17-19 to reset Travel Limits and Travel Force.
The Opener does not close the door and the indicator on one of the Photo Eyes flashes	The Photo Eye Safety System is misaligned or obstructed, refer to page 16 for proper alignment.
The Opener is working properly but the courtesy light does not turn on	Replace light bulb (A19 incandescent Max.100W).
The courtesy light does not turn off	Defective Logic Board.

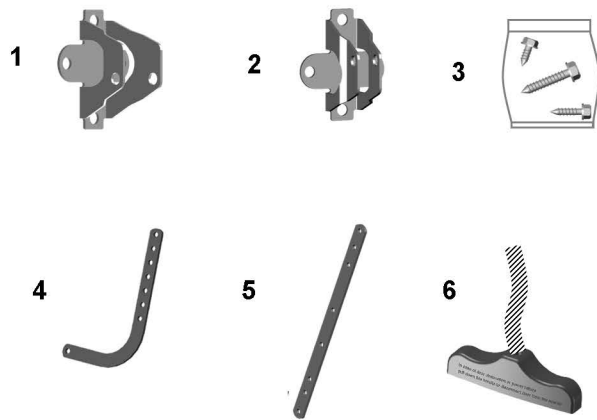
**Note: If installing operators on two doors in the same garage, to ensure proper operation, Photo Eyes should be aligned as below:**





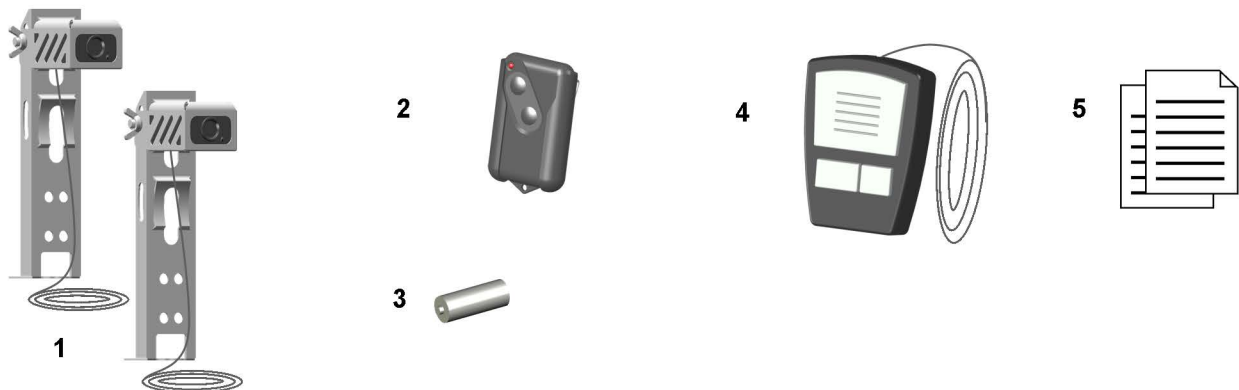
# Repair Parts

## Installation Parts



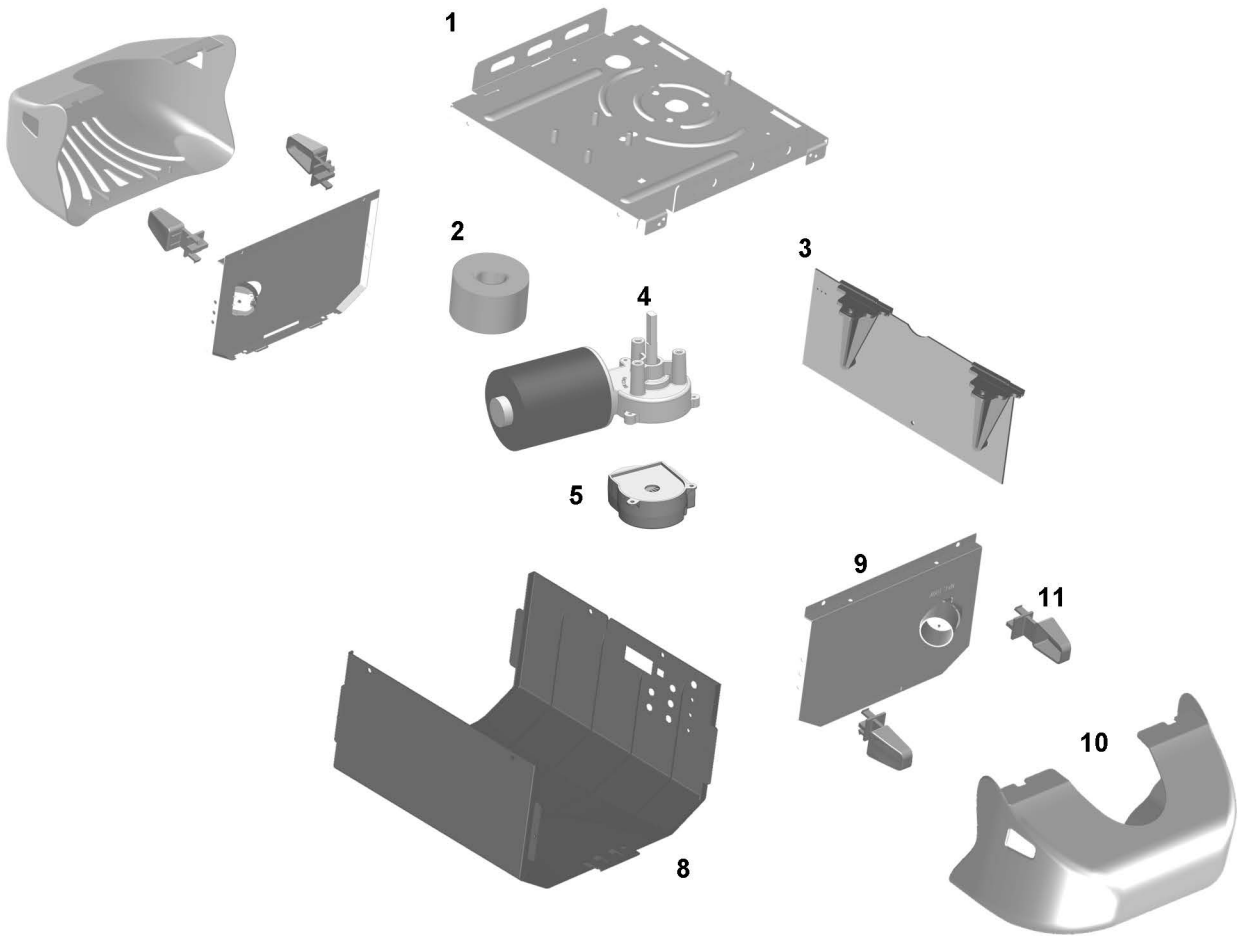
Item	Part No.	Name / Description
1	GU DT-021	Header Bracket
2	GU DT-022	Door Bracket
3	GU DT-023	Hardware Bag (Installation hardware shown on P.3)
4	GU DT-024	Curved Door Arm
5	GU DT-025	Straight Door Arm
6	GU DT-026	Emergency Release Handle & Rope

## Accessories



Item	Part No.	Name / Description
1	GU DT-201	Photo Eye Safety System (Emitter + Sensor with Brackets)
2	GU DT-206	Remote Control
3	GU DT-203	12V AE23 Alkaline Battery
4	GU DT-208	Door Control Console
6	GU DT-205	Owner's manual

# Opener Assembly Parts



Item	Part No.	Name / Description
1	GUDT-301	Chassis
2	GUDT-302	Transformer
3	GUDT-312	Logic Board
4	GUDT-313	DC Motor (with encoder shaft)
5	GUDT-314	Encoder Module
8	GUDT-308	Opener Cover
9	GUDT-309	Lamp Plate
10	GUDT-310	Lamp Dome
11	GUDT-311	Lamp Dome Clip

\* Should be replaced by qualified technician only



3/4HP EXECUTIVE SERIES  
600SL

PROFESSIONALLY INSTALLED BY GDS

1-800-989-8679

# WARRANTY

## GARAGE DOOR OPERATORS

Manufacturer hereby warrants:

1. Garage Door Operators to be free from defects in material and workmanship for a period of five (5) years for motors and one (1) year for Electronics and Mechanics from date of purchase, if installed by an authorized reseller, otherwise if installed by the purchaser one (1) year will apply.
2. Garage Door Operators (Commercial and Industrial Application ) to be free from defects in material and workmanship for a period of three (3) months from date of purchase.
3. Where the garage door operator has been returned to the manufacturer for Warranty repairs, all costs incurred in the return will be paid for by the purchaser. If in the opinion of the manufacturer the product is faulty, all defective parts will be replaced at no charge to the purchaser.
4. Proof of purchase must be given to the manufacturer at time of Warranty claim.
5. The manufacturer reserves the right to modify any existing or future products without incurring any obligation to incorporate such modification to products already manufactured or to which this Warranty may relate.
6. Warranty only applies if this product has been installed to the Manufacturers recommendation
7. This Warranty does not apply to any defect, loss or damage arising or caused directly or indirectly by or as a result of :
  - (i) Any defect (including detects in component parts or accessories ) arising from or attributable to the failure to carry out nor-mal preventive maintenance or adjustment itself.
  - (ii) To any additional damage or deterioration arising from attributable to the operation of the Operator after it is known to be defective.
8. Exclusions to Warranty Period:
  - (i) Repair or Warranty Work - three (3) month
9. Not included in Warranty:
  - (i) Batteries.
  - (ii) Fuses.
  - (iii) Light Bulbs.
  - (iv) Sensitivity adjustment.
  - (v) Remote Controls and receiver range.
10. Note : All Warranties will be void subject to:
  - (i) Water damage and condensation.
  - (ii) Power supply black out or surge.
  - (iii) Act of God.
  - (iv) Modification or adjustment by unauthorized persons.
  - (v) Any interference from radio ( including citizen band radios or and other electronic device.
  - (vi) Preventative maintenance and regular servicing not undertaken.
  - (vii) Account not paid in full by the purchaser.
11. Subject only to the provisions of the Trade practices Act and any legislation of the State or Territory wherein the doors of the Manufacturer shall have been sold or installed ( which may confer certain rights on consumers of goods and those rights by such legislation may be rendered incapable of exclusion ) this Warranty supersedes and excludes all representations, warranties and conditions whether expressed or implied by law and the Manufacturer shall have no liability or otherwise than herein provided for any loss and damage ( including consequential loss and damage, loss of use or profits ) by reasons of delay, defective or faulty materials or workmanship, negligence or any act, matter or thing done permitted or omitted to be done by the Manufacturer.

## WARRANTY

THIS WARRANTY FORM SHOULD BE COMPLETED AT TIME OF INSTALLATION

This Warranty Form should be retained by the purchaser at all times and produced with the purchase docket by the Purchaser as proof of the purchase date.

PURCHASE'S NAME: \_\_\_\_\_

PURCHASE'S ADDRESS: \_\_\_\_\_

INSTALLED BY: \_\_\_\_\_

INSTALLER'S ADDRESS: \_\_\_\_\_

INSTALLER'S SIGNATURE: \_\_\_\_\_

DRIVE UNIT SERIAL NO: \_\_\_\_\_

