

DONKEY KONG

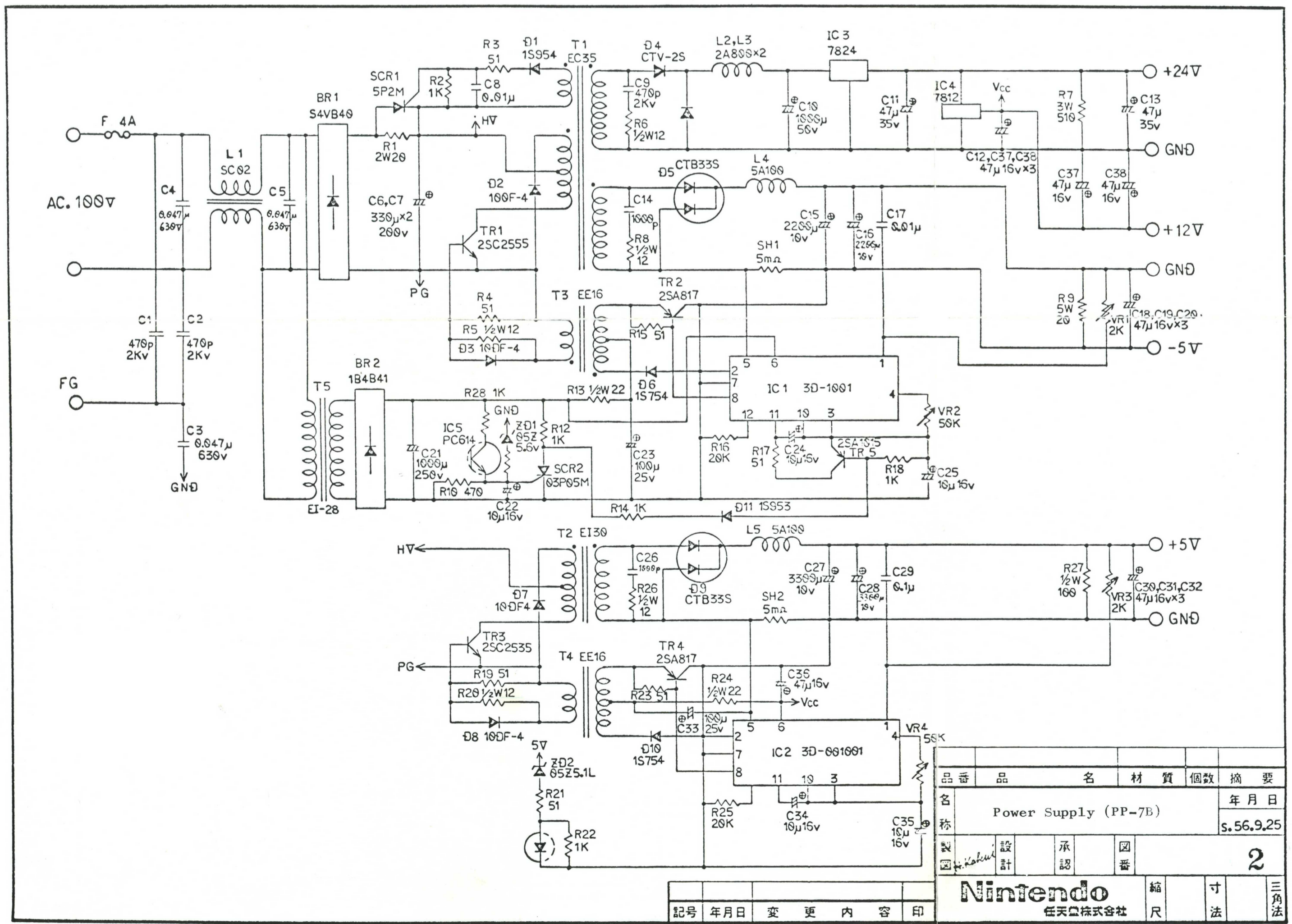
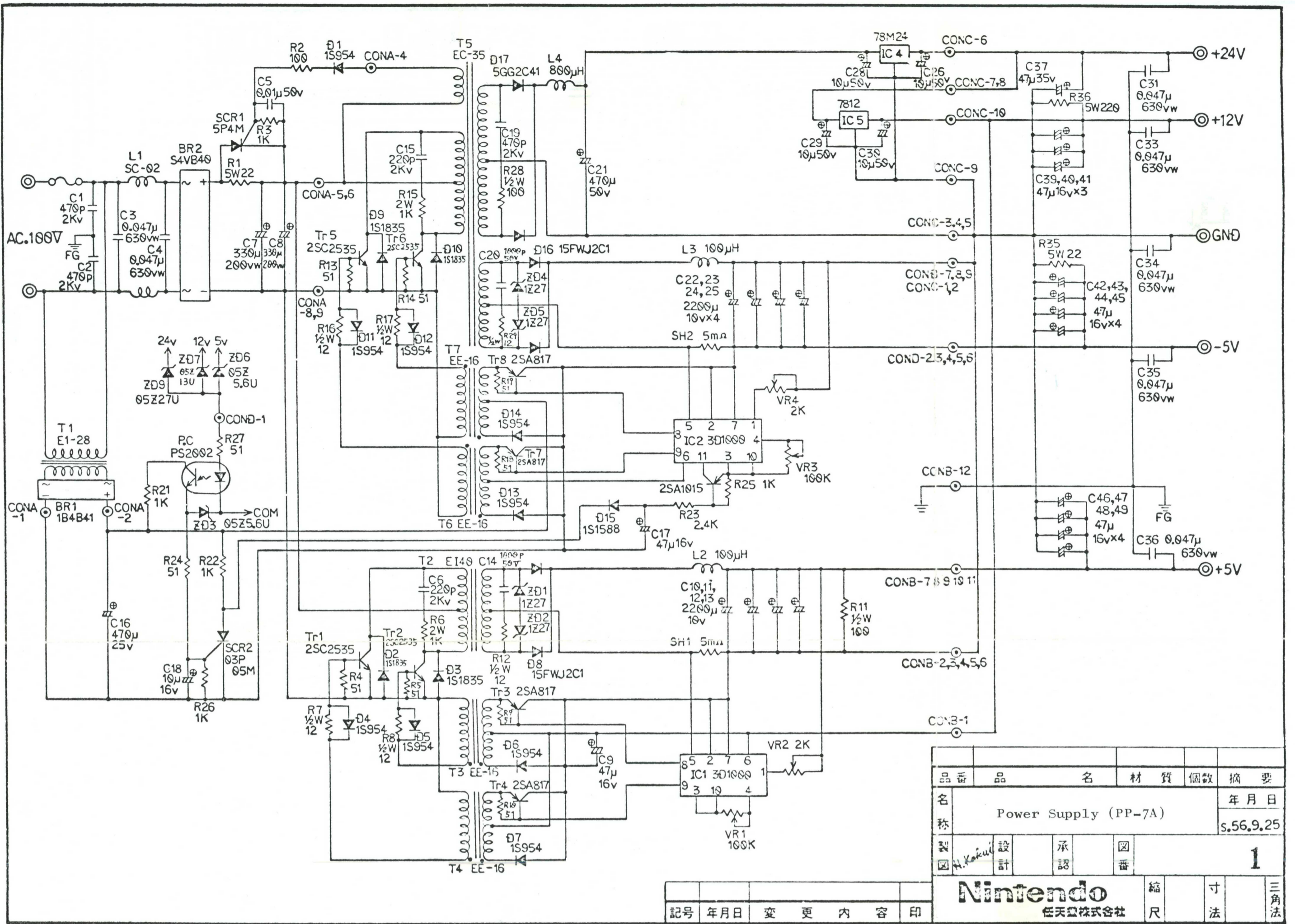
SCHEMATICS

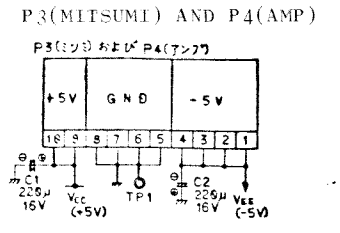
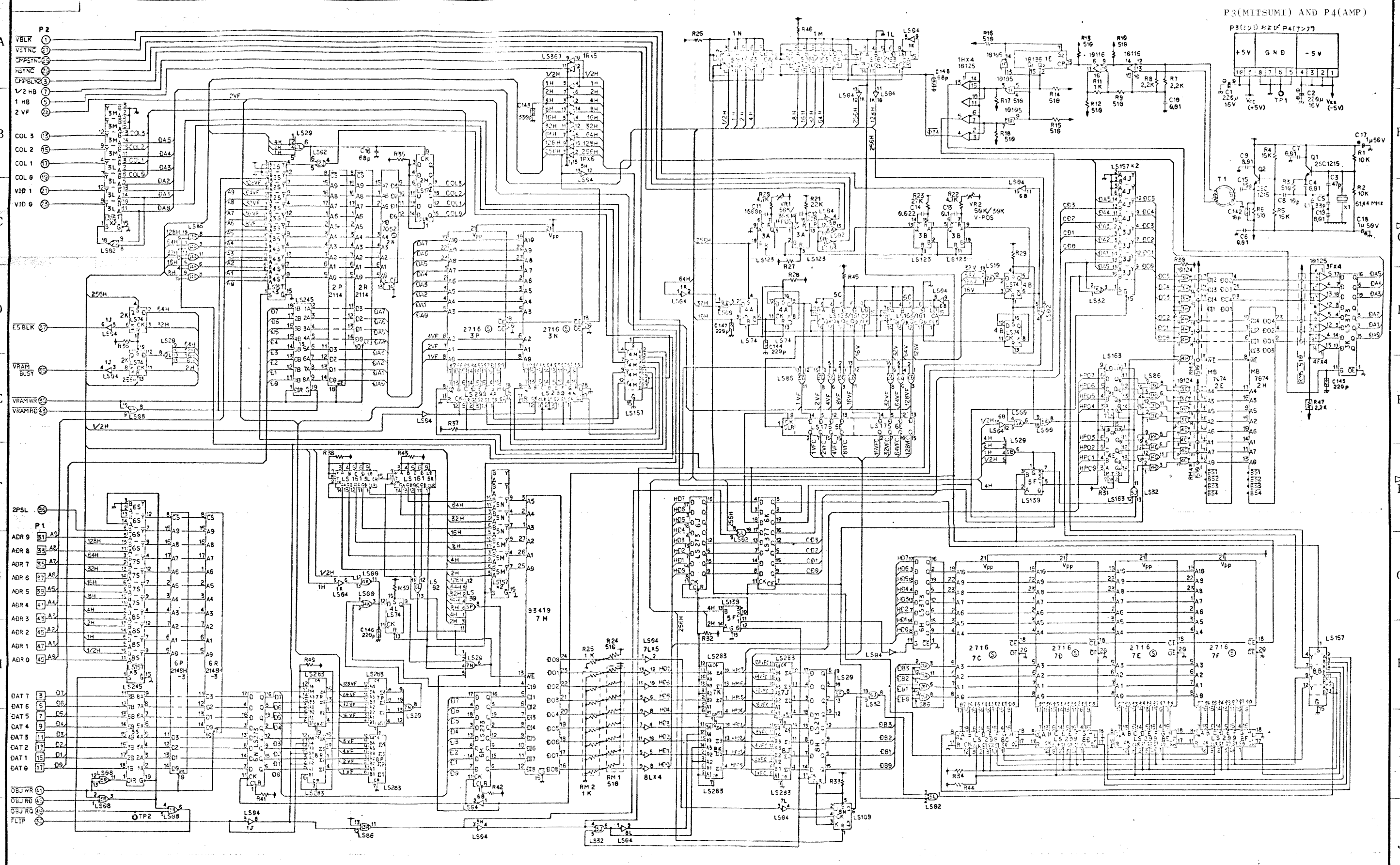
Nintendo

TKG-4

C O N T E N T S

	Page
1. Power Supply P.C.Board PP-7A	1
2. Power Supply P.C.Board PP-7B	2
3. TKG4-14-CPU	3
4. TKG4-14-VIDEO	4
5. Video Monitor No.30 "20-EZV"	5
6. Video Monitor No.31 "20-EZV(R-B)"	6





20-EZV(R-B)

- NOTE
- Every resistor without value descriptions are 1/4W
 - Bearable voltage of capacitors are 50V
 - Diodes without descriptions of variation are 1S1555 or 1S2706 or 1S2473 or DS442

Resistors

Ex. : 2 F P J Rank of Accuracy(*List 1)
 Figure Variations(*List 2)
 Value(W)

List 1.

Mark	F	G	J	K
Rank	+1%	+2%	+5%	+10%

List 2.

Mark	F	N	R	C	Y
Variation	Carbon	Metal	Metal Oxide	Solid	Coil Winding

List 3.

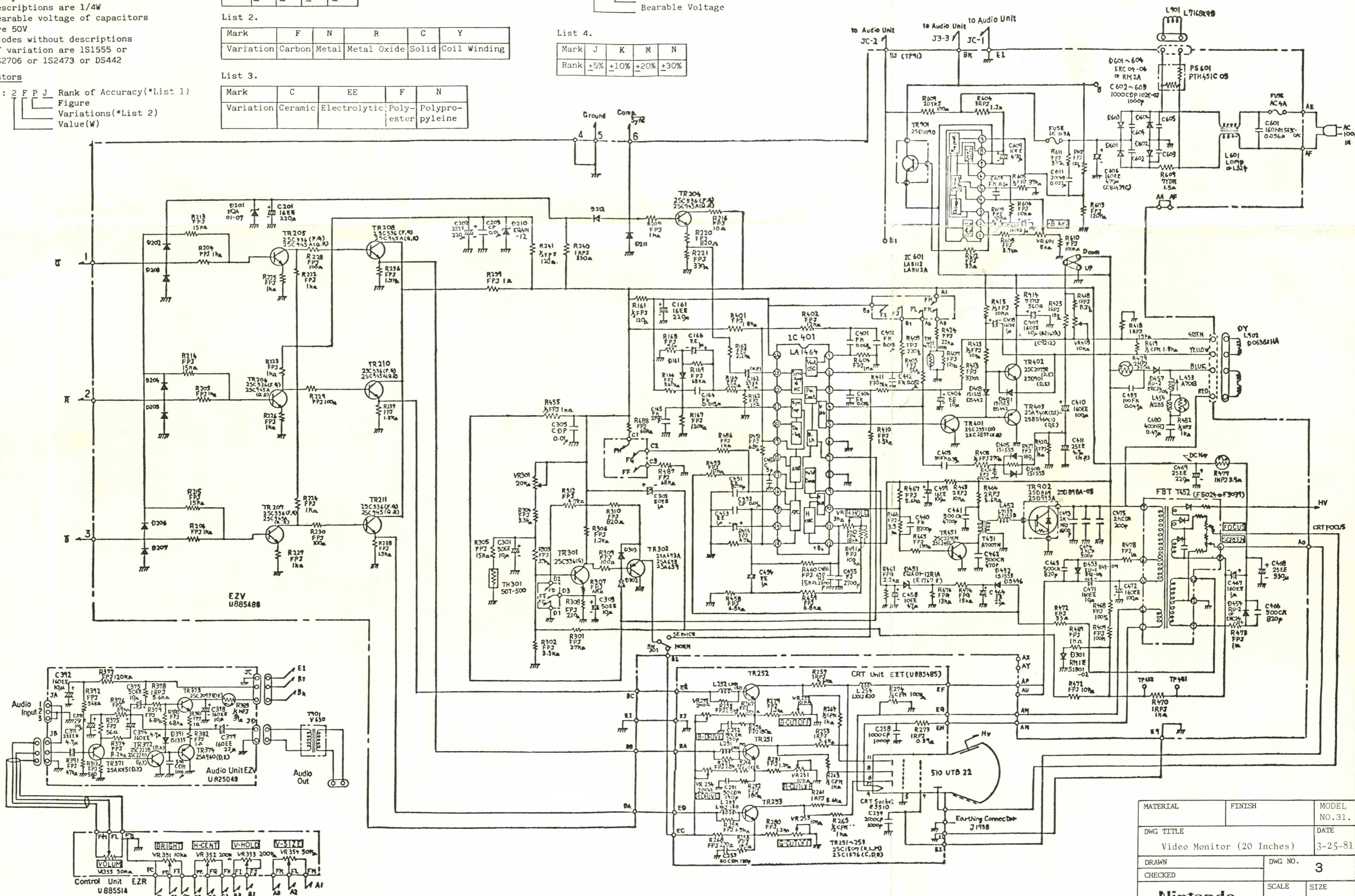
Mark	C	EE	F	N
Variation	Ceramic	Electrolytic	Poly-ester	Polypropylene

Capacitor

Ex. : 160 EE M- Rank of Accuracy (List 4)
 Variation(List 3)
 Bearable Voltage

List 4.

Mark	J	K	M	N
Rank	+5%	+10%	+20%	+30%



MATERIAL	FINISH	MODEL NO. 31.
DWG TITLE	DATE	3-25-81
Video Monitor (20 Inches)		
DRAWN	DWG NO.	3
CHECKED	SCALE	SIZE
Nintendo		

PRINTED IN JAPAN

©1981 Nintendo of America Inc.