

CUPMOUNT SERIES (1000-4000)

Features

- Fail-safe, all-attitude isolators
- Gradually increasing stiffness under compression prevents bottoming out
- Zinc plated steel construction
- Provides isolation for frequencies above 40 Hz at max. load
- Compact, low-profile design

Benefits

- Provides protection in all directions
- Provides effective reduction of structure borne noise

Load Range

- Series 1000 = 4 load ratings to 100 lbs./mount
- Series 2000 = 4 load ratings to 250 lbs./mount
- Series 4000 = 4 load ratings to 900 lbs./mount
- Series 3000 = 4 load ratings to 1,800 lbs./mount

A universal set of mounts for protection from severe shock environments, high-frequency vibration and structure borne noise.



Barry Cupmounts combine protection against severe shock with efficient vibration isolation characteristics at frequencies above 40 Hertz. They can be mounted in any orientation for protection of sensitive electronic, electrical and mechanical equipment from high impact shocks.

Applications

- Vehicular electronics
- Motors & pumps
- Fans & blowers
- Transformers
- Shipboard equipment
- Aircraft/missile electronics
- Racking systems
- Random vibration environments

NATURAL FREQUENCY	20-45 Hertz
TRANSMISSIBILITY AT RESONANCE	4 max. (Hi-Damp Silicone) 6 max. (Universal Compound) 10 max. (Natural Rubber)
RESILIENT ELEMENT	Hi-Damp Silicone, Universal Black Elastomer, Natural Rubber
STANDARD MATERIALS	Zinc plated steel
WEIGHT	Series 1000 = 6 oz. Series 2000 = 1lb. Series 3000 = 10 lbs. Series 4000 = 4 lbs.

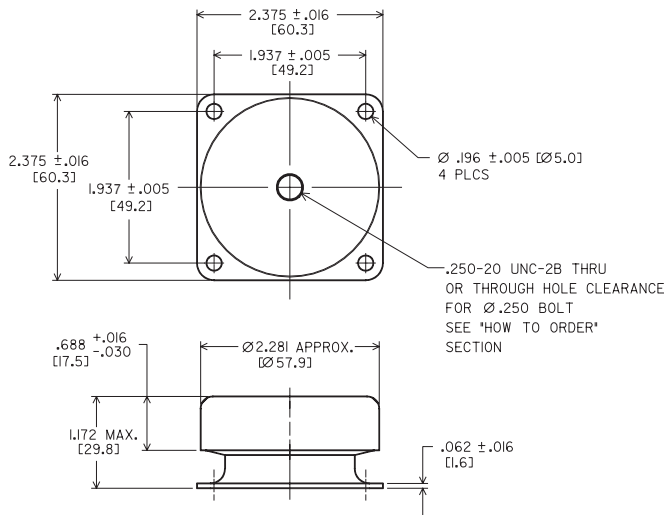
Environmental Data

- Barry Hi-Damp® Elastomer provides the most damping, an exceptionally high operating temperature range of -67°F to +300°F (-55°C to +150°C) and is resistant to ozone, fungus and other contaminants.
- Universal Black Elastomer is ideal when moderate damping is required and where oil immersion is encountered. Meets MIL-M-17185 (environmental) and MIL-STD-167 (vibration) specifications. The operating temperature range is -65°F to +180°F (-54°C to +85°C).
- Natural rubber provides high fatigue life. Operating range is -40°F to +180°F (-40°C to +85°C).

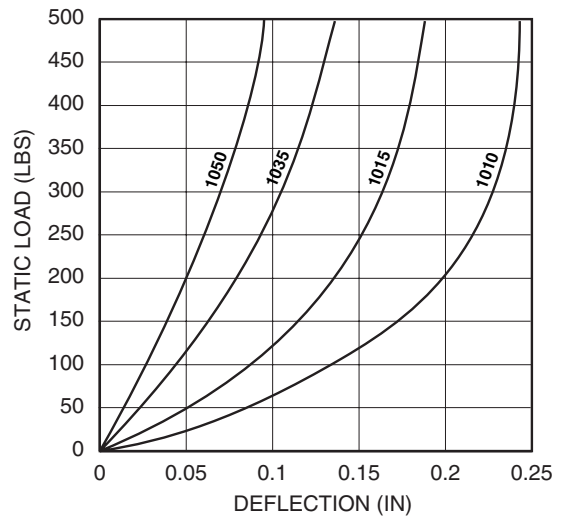
1000 Series Cupmount

Dimensions & Performance Characteristics

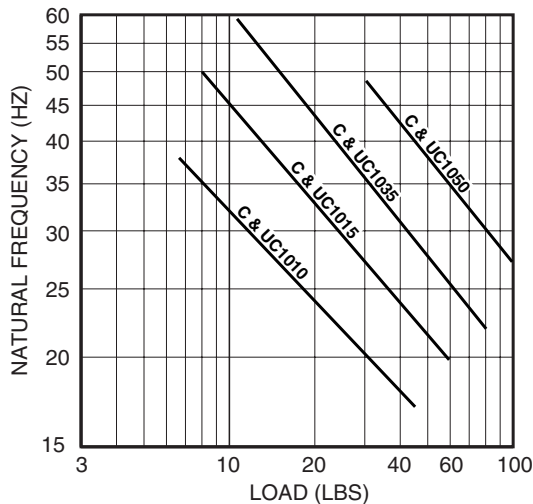
SERIES 1000
Dimensional Drawing



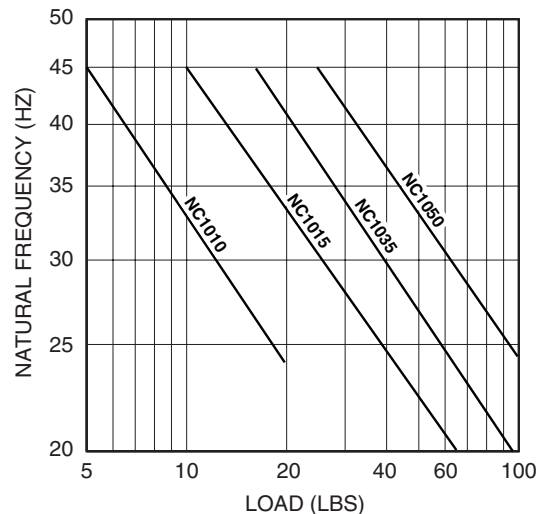
SERIES C, UC & NC 1000
Load vs. Deflection



SERIES C1000 and UC1000
Load vs. Natural Frequency



SERIES NC1000
Load vs. Natural Frequency



Barry Controls
 40 Guest Street • Brighton, MA 02135-9105 • (617) 787-1555 • Fax (617) 787-7807

Dimensions and data are subject to change without notice.

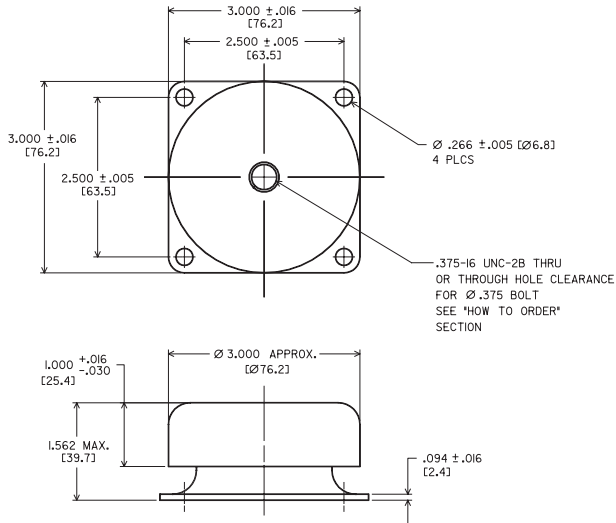
For technical, design, or application assistance, call toll free:

1-800-BARRY MA

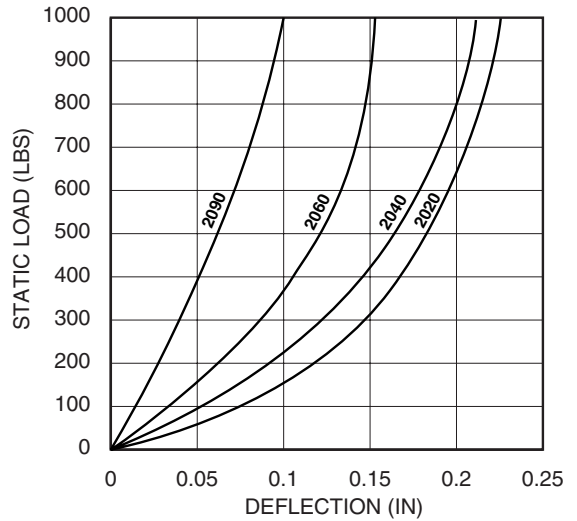
2000 Series Cupmount

Dimensions & Performance Characteristics

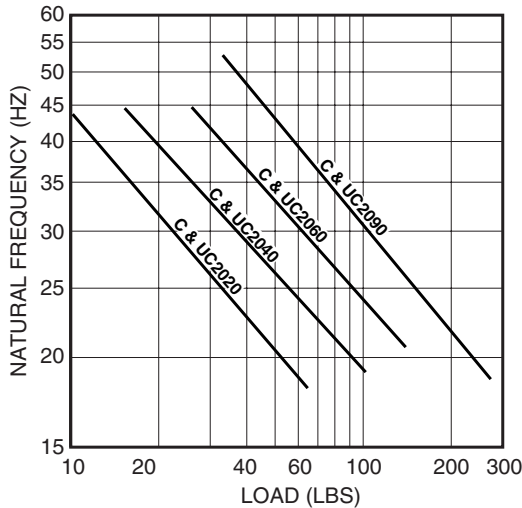
SERIES 2000
Dimensional Drawing



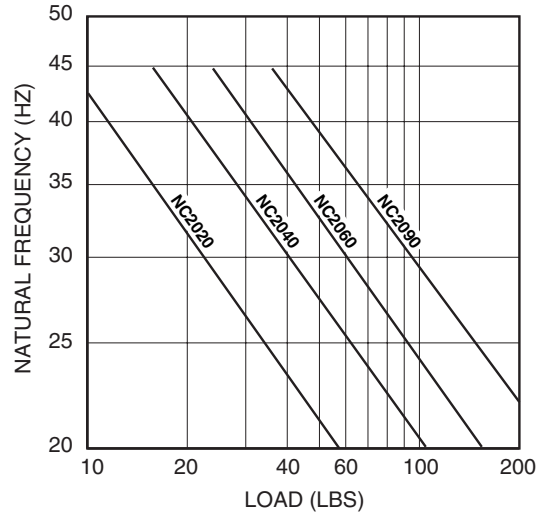
SERIES C, UC & NC 2000
Load vs. Deflection



SERIES C2000 and UC2000
Load vs. Natural Frequency



SERIES NC2000
Load vs. Natural Frequency



Barry Controls
 40 Guest Street • Brighton, MA 02135-9105 • (617) 787-1555 • Fax (617) 787-7807

Dimensions and data are subject to change without notice.

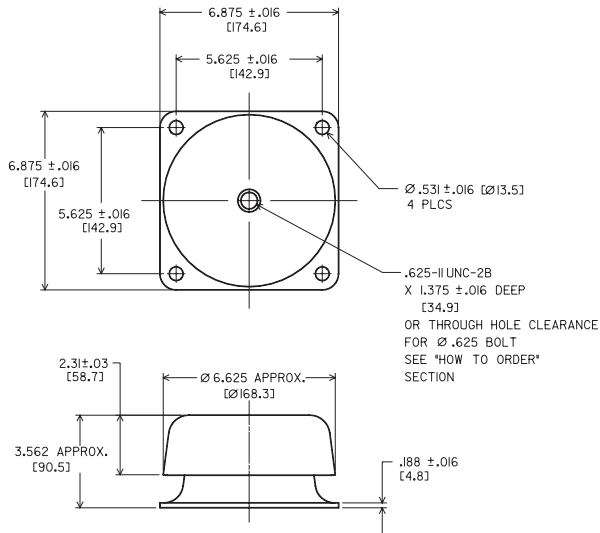
For technical, design, or application assistance, call toll free:

1-800-BARRY MA

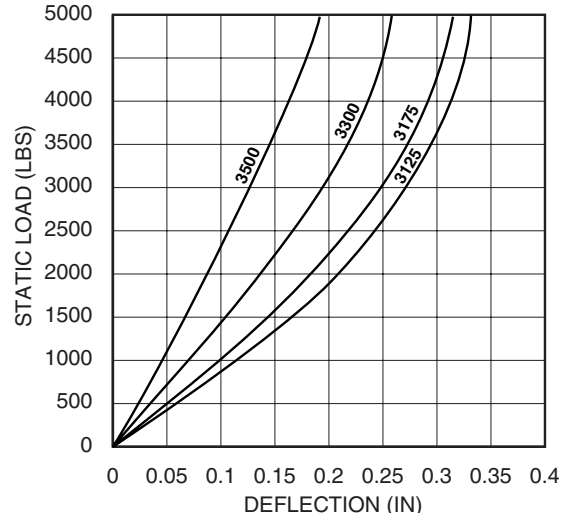
3000 Series Cupmount

Dimensions & Performance Characteristics

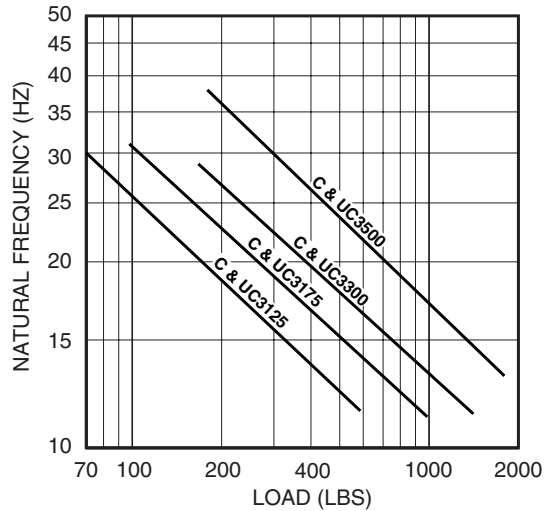
SERIES 3000
Dimensional Drawing



SERIES C, UC 3000
Load vs. Deflection



SERIES C3000 and UC3000
Load vs. Natural Frequency



Barry Controls
 40 Guest Street • Brighton, MA 02135-9105 • (617) 787-1555 • Fax (617) 787-7807

Dimensions and data are subject to change without notice.

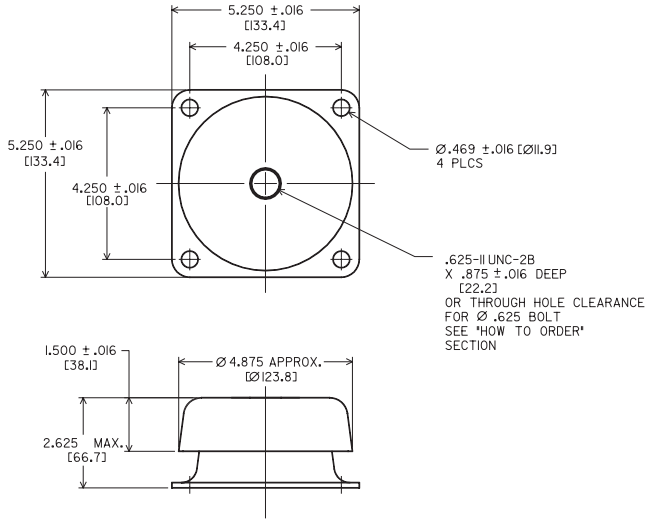
For technical, design, or application assistance, call toll free:

1-800-BARRY MA

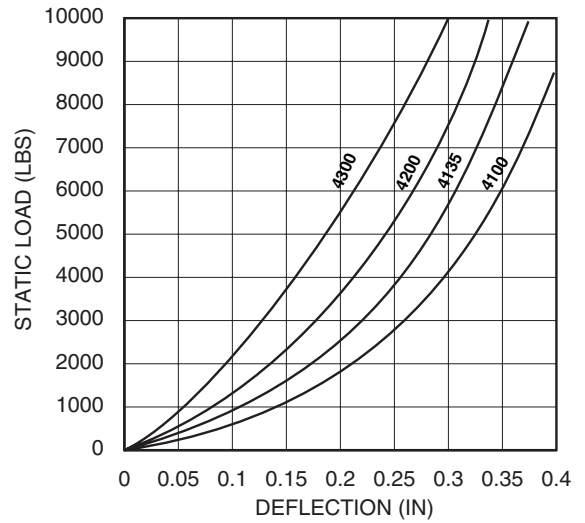
4000 Series Cupmount

Dimensions & Performance Characteristics

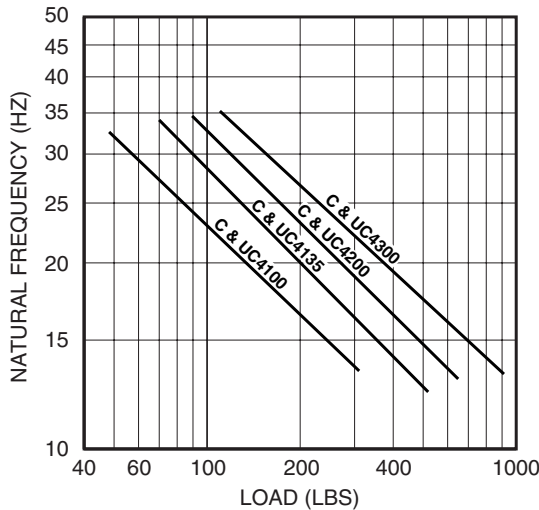
SERIES 4000
Dimensional Drawing



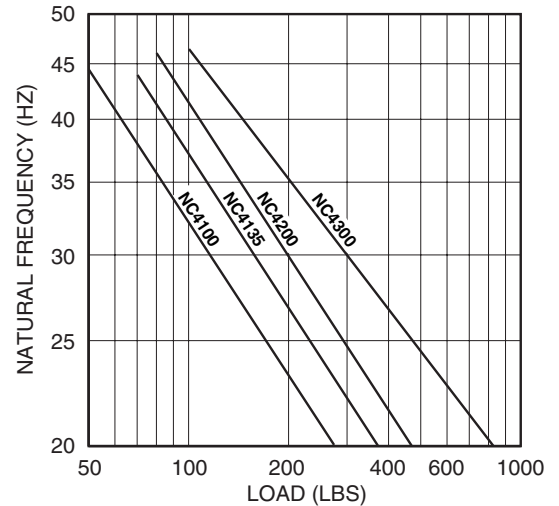
SERIES C, UC & NC 4000
Load vs. Deflection



SERIES C4000 and UC4000
Load vs. Natural Frequency



SERIES NC4000
Load vs. Natural Frequency



Barry Controls
 40 Guest Street • Brighton, MA 02135-9105 • (617) 787-1555 • Fax (617) 787-7807

Dimensions and data are subject to change without notice.

For technical, design, or application assistance, call toll free:

1-800-BARRY MA

Cupmount Series

How to order Cupmounts

The part numbering system of the Barry Cupmount series includes coded designations of the metal parts, elastomer, size, load rating and attachment core characteristics. Please note, aluminum parts are available for 1000 & 2000 series only.

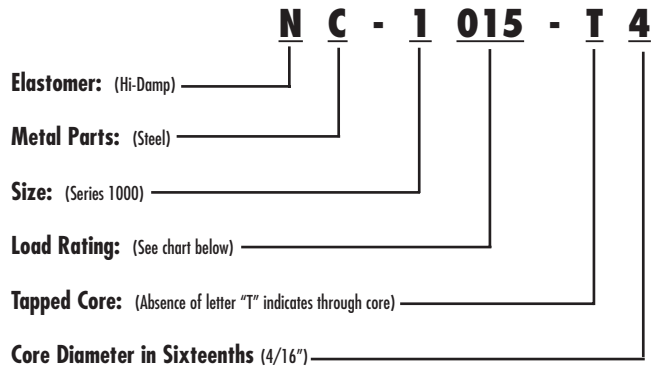
The **letter prefix** preceding a part number designates the metal and elastomer. The **first number** of the four digit part number designates the size, or series of the Cupmount.

The **suffix** designates a through core or tapped core, and core diameter. The **absence** of the letter "T" indicates a through core. The **number** indicates the core diameter bolt size. Refer to dimensional drawings for standard core diameters.

To avoid overstressing attachment bolts, core diameter cannot be interchanged from series to series.

PREFIX	METAL	ELASTOMER
NC	Cold-rolled steel (zinc plated finish)	Hi-damp Silicone
UC		Universal
C		Natural Rubber
NL	Aluminum	Hi-damp Silicone

Typical Barry Controls Cupmount Part Number:



Dimensions and data are subject to change without notice.

For technical, design, or application assistance, call toll free:

1-800-BARRY MA



Barry Controls

40 Guest Street • Brighton, MA 02135-9105 • (617) 787-1555 • Fax (617) 787-7807

CUPMOUNT SERIES LOAD RATINGS

Part #	Maximum Load Range - lbs. (Vibration Applications)	Load Range - lbs. (Shock Applications)
1010	20	8-14
1015	30	14-24
1035	70	24-38
1050	100	38-60
2020	50	15-30
2040	100	30-50
2060	150	50-80
2090	250	80-105
4100	250	65-100
4135	400	100-155
4200	650	155-200
4300	900	200-285
3125	600	80-120
3175	800	120-185
3300	1400	185-285
3500	1800	285-530