

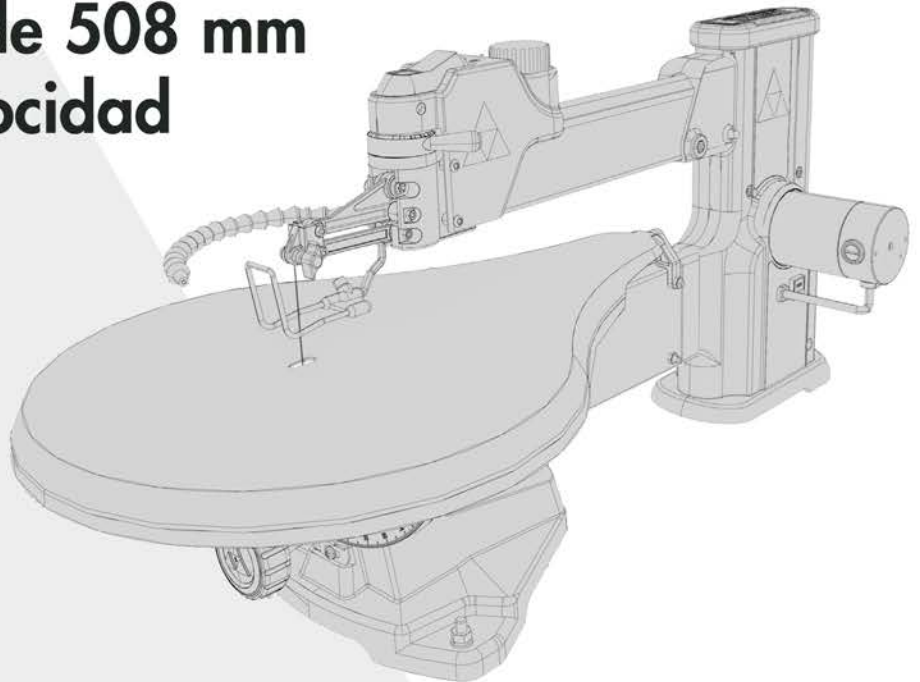


POWER EQUIPMENT CORPORATION

20" (508 MM) VARIABLE SPEED SCROLL SAW

Scie à découper à régulateur
de vitesse, 508 mm (20 po)

Sierra caladora de 508 mm
(20 pulg.) de velocidad
variable



Français (12)

Español (22)

www.DeltaMachinery.com

Instruction manual
Manuel d'utilisation
Manual de instrucciones

INSTRUCTIVO DE OPERACIÓN, CENTROS
DE SERVICIO Y PÓLIZA DE GARANTÍA.

▲ ADVERTENCIA: LÉASE ESTE INSTRUCTIVO
ANTES DE USAR EL PRODUCTO.


40 - 694



TABLE OF CONTENTS

IMPORTANT SAFETY INSTRUCTIONS.....	2	TROUBLESHOOTING.....	9
SAFETY GUIDELINES-DEFINITIONS.....	2	MAINTENANCE	9
GENERAL SAFETY RULES	3	SERVICE	10
ADDITIONAL SPECIFIC SAFETY RULES	4	ACCESSORIES.....	11
FUNCTIONAL DESCRIPTION	6	WARRANTY	11
CARTON CONTENTS.....	6	FRANÇAIS.....	12
ASSEMBLY	7	ESPAÑOL.....	22
OPERATION	8		

IMPORTANT SAFETY INSTRUCTIONS

▲ WARNING: Read all warnings and operating instructions before using any tool or equipment. When using tools or equipment, basic safety precautions should always be followed to reduce the risk of personal injury. Improper operation, maintenance or modification of tools or equipment could result in serious injury and property damage. There are certain applications for which tools and equipment are designed. This product should NOT be modified and/or used for any application other than for which it was designed. 

If you have any questions relative to its application DO NOT use the product until you have written DELTA Equipment Corporation and we have advised you. Contact us online at www.DeltaMachinery.com or by mail at Technical Service Manager, DELTA® Power Equipment Corporation, 2651 New Cut Road, Spartanburg, SC 29303.

Information regarding the safe and proper operation of this tool is available from the following sources:

- Power Tool Institute, 1300 Sumner Avenue, Cleveland, OH 44115-2851 or online at www.powertoolinstitute.com
- National Safety, 1121 Spring Lake Drive, Itasca, IL 60143-3201
- American National Standards Institute, 25 West 43rd Street, 4 floor, New York, NY 10036 www.ansi.org - ANSI 01.1 Safety Requirements for Woodworking Machines
- US Department of Labor regulations www.osha.gov

SAVE THESE INSTRUCTIONS!

SAFETY GUIDELINES - DEFINITIONS

It is important for you to read and understand this manual. The information it contains relates to protecting YOUR SAFETY and PREVENTING PROBLEMS. The symbols below are used to help you recognize this information.

▲ DANGER: Indicates an imminently hazardous situation which, if not avoided, will result in death or serious injury.

▲ WARNING: Indicates a potentially hazardous situation which, if not avoided, could result in death or serious injury.

▲ CAUTION: Indicates a potentially hazardous situation which, if not avoided, may result in minor or moderate injury.

NOTICE: Indicates a practice not related to personal injury which, if not avoided, may result in property damage.

▲ WARNING: Some dust created by power sanding, sawing, grinding, drilling, and other construction activities contains chemicals known to the State of California to cause cancer, birth defects or other reproductive harm. Some examples of these chemicals are:

- Lead from lead based paint,
- Crystalline silica from bricks and cement and other masonry products, and
- Arsenic and chromium from chemically-treated lumber (CCA).

Your risk from these exposures varies, depending on how often you do this type of work. To reduce your exposure to these chemicals: work in a well-ventilated area, and work with approved safety equipment, such as those dust masks that are specially designed to filter out microscopic particles.

Note: This equipment has been tested and found to comply with the limits for a Class A digital device, pursuant to part 15 of the FCC Rules. These limits are designed to provide reasonable protection against harmful interference when the equipment is operated in a commercial environment. This equipment generates, uses, and can radiate radio frequency energy and, if not installed and used in accordance with the instruction manual, may cause harmful interference to radio communications. Operation of this equipment in a residential area is likely to cause harmful interference in which case the user will be required to correct the interference at his own expense.

GENERAL SAFETY RULES

⚠ WARNING: Failure to follow these rules could result in serious personal injury.

- To reduce the risk of injury, read the instruction manual before operating the machine.** Learning the machine's application, limitations, and specific hazards will greatly minimize the possibility of accidents and injury.
- Wear eye and hearing protection and always use safety glasses.** Everyday eyeglasses are not safety glasses. Use certified safety equipment. Eye protection equipment should comply with ANSI Z87.1 standards. Hearing equipment should comply with ANSI S3.19 standards.
- Wear proper apparel.** Do not wear loose clothing, gloves, neckties, rings, bracelets, or other jewelry which may get caught in moving parts. Nonslip protective footwear is recommended. Wear protective hair covering to contain long hair.
- Do not use the machine in a dangerous environment.** The use of power tools in damp or wet locations or in rain can cause shock or electrocution. Keep your work area well-lit to prevent tripping or placing arms, hands, and fingers in danger.
- Do not operate electric tools near flammable liquids or in gaseous or explosive atmospheres.** Motors and switches in these tools may spark and ignite fumes.
- Maintain all tools and machines in peak condition.** Keep tools sharp and clean for best and safest performance. Follow instructions for lubricating and changing accessories. Poorly maintained tools and machines can further damage the tool or machine and/or cause injury.
- Check for damaged parts.** Before using the machine, check for any damaged parts. Check for alignment of moving parts, binding of moving parts, breakage of parts, and any other conditions that may affect its operation. A guard or any other part that is damaged should be properly repaired or replaced with DELTA® or factory authorized replacement parts. Damaged parts can cause further damage to the machine and/or injury.
- Keep the work area clean.** Cluttered areas and benches invite accidents.
- Keep children and visitors away.** Your shop is a potentially dangerous environment. Children and visitors can be injured.
- Reduce the risk of unintentional starting.** Make sure that the switch is in the "OFF" position before plugging in the power cord. In the event of a power failure, move the switch to the "OFF" position. An accidental start-up can cause injury. Do not touch the plug's metal prongs when unplugging or plugging in the cord.
- Use the guards.** Check to see that all safety devices are in place, secured, and working correctly to prevent injury.
- Remove adjusting keys and wrenches before starting the machine.** Tools, scrap pieces, and other debris can be thrown at high speed, causing injury.
- Use the right machine.** Don't force a machine or an attachment to do a job for which it was not designed. Damage to the machine and/or injury may result.
- Use recommended accessories.** The use of accessories and attachments not recommended by DELTA® may cause damage to the machine or injury to the user.
- Use the proper extension cord.** Make sure your extension cord is in good condition. When using an extension cord, be sure to use one heavy enough to carry the current your product will draw. An undersized cord will cause a drop in line voltage, resulting in loss of power and overheating. See the **Extension Cord Chart** (Fig. C) for the correct size depending on the cord length and nameplate ampere rating. If in doubt, use the next heavier gauge. The smaller the gauge number, the heavier the cord.
- Secure the workpiece.** Use clamps or a vise to hold the workpiece when practical. Loss of control of a workpiece can cause injury.
- Feed the workpiece against the direction of the rotation of the blade, cutter, or abrasive surface.** Feeding it from the other direction will cause the workpiece to be thrown out at high speed.
- Don't force the workpiece on the machine.** Damage to the machine and/or injury may result.
- Don't overreach.** Loss of balance can make you fall into a working machine, causing injury.
- Never stand on the machine.** Injury could occur if the tool tips, or if you accidentally contact the cutting tool.
- Never leave the machine running unattended.** Turn the power off. Don't leave the machine until it comes to a complete stop. A child or visitor could be injured.
- Turn the machine "OFF", and disconnect the machine from the power source before installing or removing accessories, changing cutters, adjusting or changing set-ups.** When making repairs, be sure to lock the start switch in the "OFF" position. An accidental start-up can cause injury.
- Make your workshop childproof with padlocks, master switches, or by removing starter keys.** The accidental start-up of a machine by a child or visitor could cause injury.
- Stay alert, watch what you are doing, and use common sense.** Do not use the machine when you are tired or under the influence of drugs, alcohol, or medication. A moment of inattention while operating power tools may result in injury.
- ⚠ WARNING:** Use of this tool can generate and disperse dust or other airborne particles, including wood dust, crystalline silica dust and asbestos dust. Direct particles away from face and body. Always operate tool in well ventilated area and provide for proper dust removal. Use dust collection system wherever possible. Exposure to the dust may cause serious and permanent respiratory or other injury, including silicosis (a serious lung disease), cancer, and death. Avoid breathing the dust, and avoid prolonged contact with dust. Allowing dust to get into your mouth or eyes, or lay on your skin may promote absorption of harmful material. Always use properly fitting NIOSH/OSHA approved respiratory protection appropriate for the dust exposure, and wash exposed areas with soap and water.

ADDITIONAL SPECIFIC SAFETY RULES

⚠ WARNING: Failure to follow these rules could result in serious personal injury.

- Do not allow familiarity (gained from frequent use of your saw) to replace following safety rules. Always remember that a careless fraction of a second is sufficient to inflict severe injury.
- Obtain advice from your supervisor, instructor, or another qualified person if you are not thoroughly familiar with the operation of this machine. Knowledge is safety.
- Do not operate this machine until it is completely assembled and installed according to the instructions. A machine incorrectly assembled can cause severe injury.
- Secure saw to work bench or stand with clamps or mounting hardware. Secure work bench or stand to floor. Vibration can cause machine to slide, walk or tip over.
- Make sure your fingers do not contact the terminals of the power cord when installing or removing the plug to or from the line power source.
- Never start the machine with the workpiece against the blade. The workpiece can be thrown, causing injury.
- Never start the machine until all handles are locked and the blade is at the correct tension. Check for proper blade size and type. Abnormal operations cause injuries.
- Do not cut a workpiece that is too small to be safely supported. When hands are too close to the blade, a wrong move can cause injury.
- Keep guards in place and working order.
- Material hold-down must be properly set according to these instructions and remain in position during use. Also, be sure to properly support long or wide workpieces. Loss of control of a workpiece can cause injury.
- Never reach under the table when operating or make any adjustments when it is running. A moving blade underneath the table can cause injury.
- Do not use the upper arm as a lifting point.
- Avoid awkward hand positions where a sudden slip can cause a hand to move into a saw blade or cutting tool. Do not place fingers or hands in path of the saw blade.
- When removing short workpieces, or cleaning up around the table, be sure the saw is in the off position and the blade has stopped moving. A sudden slip could cause a hand to move into the blade and injury could occur.
- Never turn the saw on before clearing the table of everything (tools, wood scraps, etc.) except the workpiece and related feed or support devices for the operation planned. If left on the table, debris can be thrown at high speeds causing injury. When finished, turn the machine "off", disconnect the machine from the power source, and clean the table/work area. Lock the switch in the "off" position to prevent unauthorized use. Someone else might accidentally start the machine and cause injury to themselves.
- Do not attempt to saw stock that does not have a flat surface, unless a suitable support is used. This type of workpiece can pinch the blade before the cut is complete. Breaking blades can cause injury.
- Hold material firmly against table and feed into blade teeth at a moderate speed. Loss of control of a workpiece can cause injury.
- Turn off motor if the material resists being backed out of an uncompleted cut. Use appropriate speed for applications.
- Make "relief" cuts before cutting long curves. Never attempt to cut a curve that is too tight. Breaking blades can cause injury.
- Use caution when cutting round material. This type of workpiece has a tendency to "roll" and can cause the blade to bite. Breaking blades can cause injury.
- Additional information regarding the safe and proper operation of power tools (i.e. a safety video) is available from the Power Tool Institute, 1300 Sumner Avenue, Cleveland, OH 44115-2851 (www.powertoolinstitute.com). Information is also available from the National Safety Council, 1121 Spring Lake Drive, Itasca, IL 60143-3201. Please refer to the American National Standards Institute ANSI 01.1 Safety Requirements for Woodworking Machines and the U.S. Department of Labor OSHA 1910.213 Regulations.
- ALWAYS use safety glasses. Everyday eyeglasses are NOT safety glasses. Also use face or dust mask if cutting operation is dusty. ALWAYS WEAR CERTIFIED SAFETY EQUIPMENT:
 - ANSI Z87.1 eye protection (CAN/CSA Z94.3)
 - ANSI (S12.6 (S3.19) hearing protection
 - NIOSH/OSHA/MSHA respiratory protection.
- Some dust created by power sanding, sawing, grinding, drilling, and other construction activities contains chemicals known to the State of California to cause cancer, birth defects or other reproductive harm. Some examples of these chemicals are:
 - lead from lead-based paints,
 - crystalline silica from bricks and cement and other masonry products, and
 - arsenic and chromium from chemically-treated lumber.
- Your risk from these exposures varies, depending on how often you do this type of work. To reduce your exposure to these chemicals: work in a well ventilated area, and work with approved safety equipment, such as those dust masks that are specifically designed for to filter out microscopic particles.
- Avoid prolonged contact with dust from power sanding, sawing, grinding, drilling and other construction activities. Wear protective clothing and wash exposed areas with soap and water. Allowing dust to get into your mouth, eyes, or lay on the skin may promote absorption of harmful chemicals.
- Use of this tool can generate and/or disburse dust, which may cause serious and permanent respiratory or other injury. Always use NIOSH/OSHA approved respiratory protection appropriate for the dust exposure. Direct particles away from face and body.
- Always wear proper personal hearing protection that conforms to ANSI S12.6 (S3.19) during use. Under some conditions and duration of use, noise from this product may contribute to hearing loss.

SAVE THESE INSTRUCTIONS

Refer to them often and use them to instruct others.

POWER CONNECTIONS

A separate electrical circuit should be used for your machines. This circuit should not be less than #12 wire and should be protected with a time delay fuse. **NOTE:** Time delay fuses should be marked “D” in Canada and “T” in the US. If an extension cord is used, use only 3-wire extension cords which have 3-prong grounding type plugs and matching receptacle which will accept the machine’s plug. Before connecting the machine to the power line, make sure the switch (s) is in the “OFF” position and be sure that the electric current is of the same characteristics as indicated on the machine. All line connections should make good contact. Running on low voltage will damage the machine.

▲ DANGER: SHOCK HAZARD. Do not expose the machine to rain or operate the machine in damp locations.

MOTOR SPECIFICATIONS

Your machine is wired for 120 volt, 60 HZ alternating current. Before connecting the machine to the power source, make sure the switch is in the “OFF” position.

GROUNDING INSTRUCTIONS

▲ DANGER: SHOCK HAZARD. This machine must be grounded while in use to protect the operator from electric shock.

1. All grounded, cord-connected machines:

In the event of a malfunction or breakdown, grounding provides a path of least resistance for electric current to reduce the risk of electric shock. This machine is equipped with an electric cord having an equipment-grounding conductor and a grounding plug. The plug must be plugged into a matching outlet that is properly installed and grounded in accordance with all local codes and ordinances.

Do not modify the plug provided - if it will not fit the outlet, have the proper outlet installed by a qualified electrician.

Improper connection of the equipment-grounding conductor can result in risk of electric shock. The conductor with insulation having an outer surface that is green with or without yellow stripes is the equipment-grounding conductor. If repair or replacement of the electric cord or plug is necessary, do not connect the equipment-grounding conductor to a live terminal.

Check with a qualified electrician or service personnel if the grounding instructions are not completely understood, or if in doubt as to whether the machine is properly grounded.

Use only 3-wire extension cords that have 3-prong grounding type plugs and matching 3-conductor receptacles that accept the machine’s plug, as shown in Fig. A.

Repair or replace damaged or worn cord immediately.

2. Grounded, cord-connected machines intended for use on a supply circuit having a nominal rating less than 150 volts:

If the machine is intended for use on a circuit that has an outlet that looks like the one illustrated in Fig. A, the machine will have a grounding plug that looks like the plug illustrated in Fig. A. A temporary adapter, which looks like the adapter illustrated in Fig. B may be used to connect this plug to a matching 2-conductor receptacle as shown in Fig. B, if a properly grounded outlet is not available. The temporary adapter should be used only until a properly grounded outlet can be installed by a qualified electrician. The green-colored rigid ear, lug, and the like, extending from the adapter must be connected to a permanent ground such as a properly grounded outlet box. Whenever the adapter is used, it must be held in place with a metal screw.

NOTE: In Canada, the use of a temporary adapter is not permitted by the Canadian Electric Code.

▲ DANGER: SHOCK HAZARD. In all cases, make certain that the receptacle in question is properly grounded. If you are not sure, have a qualified electrician check the receptacle.

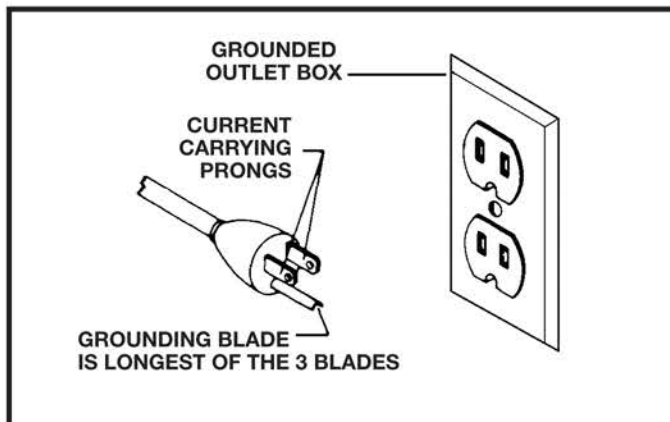


FIG. A

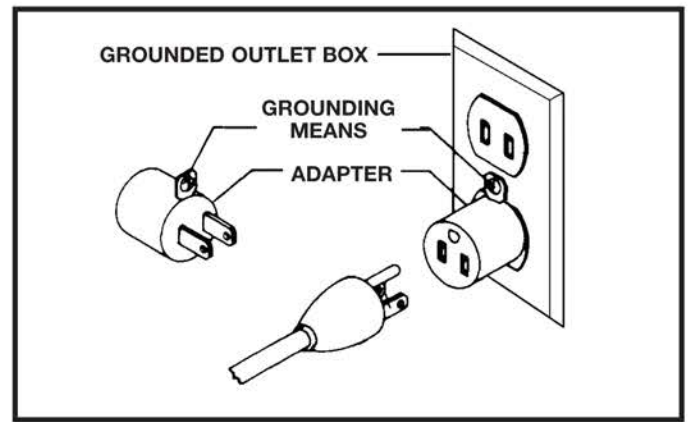


FIG. B

EXTENSION CORDS

⚠ WARNING: Use proper extension cords. Make sure your extension cord is in good condition and is a 3-wire extension cord which has a 3-prong grounding type plug and matching receptacle which will accept the machine's plug. When using an extension cord, be sure to use one heavy enough to carry the current of the machine. An undersized cord will cause a drop in line voltage, resulting in loss of power and overheating. Fig. C, shows the correct gauge to use depending on the cord length. If in doubt, use the next heavier gauge. The smaller the gauge number, the heavier the cord.

MINIMUM GAUGE EXTENSION CORD			
RECOMMENDED SIZES FOR USE WITH STATIONARY ELECTRIC MACHINES			
Ampere Rating	Volts	Total Length of Cord in Feet	Gauge of Extension Cord
0-6	120	up to 25	18 AWG
0-6	120	25-50	16 AWG
0-6	120	50-100	16 AWG
0-6	120	100-150	14 AWG
6-10	120	up to 25	18 AWG
6-10	120	25-50	16 AWG
6-10	120	50-100	14 AWG
6-10	120	100-150	12 AWG
10-12	120	up to 25	16 AWG
10-12	120	25-50	16 AWG
10-12	120	50-100	14 AWG
10-12	120	100-150	12 AWG
12-16	120	up to 25	14 AWG
12-16	120	25-50	12 AWG
12-16	120	GREATER THAN 50 FEET NOT RECOMMENDED	

Fig. C

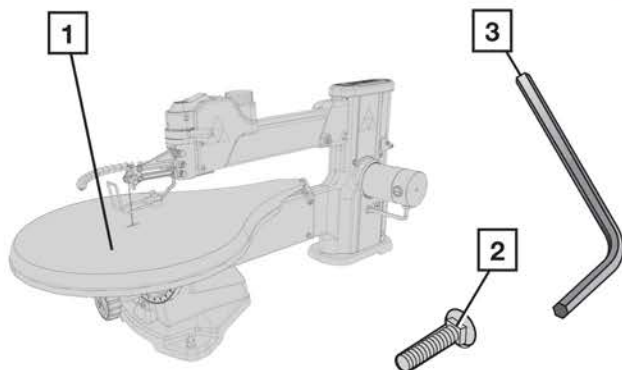
FUNCTIONAL DESCRIPTION

FOREWORD

The DELTA® 40-695 is a 20" (508 mm) variable speed scroll saw with a 1.3 amp motor with speeds ranging between 400 to 1750 RPM. The table provides a material hold-down and bevels 45° left or right.

NOTICE: The manual cover illustrates the current production model. All other illustrations contained in the manual are representative only and may not depict the actual labeling or accessories included. These are intended to illustrate technique only.

CARTON CONTENTS



1. Scroll Saw (Packed with table and blade unattached.)
2. Table mounting bolts (2)
3. Hex wrench

UNPACKING AND CLEANING

Carefully unpack the machine and all loose items from the shipping container(s). Remove the rust-preventative oil from unpainted surfaces using a soft cloth moistened with mineral spirits, paint thinner or denatured alcohol.

⚠ WARNING: Do not use highly volatile solvents such as gasoline, naphtha, acetone or lacquer thinner for cleaning your machine.

After cleaning, cover the unpainted surfaces with a good quality household floor paste wax.

ASSEMBLY

⚠ WARNING: To reduce the risk of injury, turn unit off and disconnect it from power source before installing and removing accessories, before adjusting or when making repairs. An accidental start-up can cause injury.

ASSEMBLY TOOLS REQUIRED

Hex Wrench Only

ASSEMBLING TABLE AND BLADE

ASSEMBLING TABLE

Your scroll saw comes fully assembled except for the table and blade. To install the table, first insert the pin at the back of the arm into the hole in the back of the table (Figure 1). Push the table until its back surface is flush against the arm and the pin is fully inserted in the table (Figure 2).

Using the hex wrench packed with your scroll saw, securely attach the table to the bevel scale by tightening the bolts shown in Figure 3.

INSTALLING THE BLADE

⚠ WARNING: To reduce the risk of injury, turn unit off and disconnect it from power source before installing and removing accessories, before adjusting or when making repairs. An accidental start-up can cause injury.

The blade is held in place by the thumbscrew blade clamps attached to the top and bottom arms of the scroll saw (Figure 4).

Before installing a blade, make sure the blade tension lever is moved fully to the right as shown in Figure 5. Next, loosen, but do not unscrew, the top and bottom thumbscrews (Figure 4). Thread the blade through the hole in table, with the teeth facing toward the front of the saw.

NOTE: Scroll saws cut on the downstroke, so it is essential that teeth face forward and down.

Insert the blade into the bottom blade clamp and securely tighten the thumbscrew (Figure 4). Next, insert the top of the blade into the top blade clamp and securely tighten the top thumbscrew. (Figure 4)

Properly adjust the tension of the blade before operating your scroll saw. (See: **Blade Tension Lever** section of this manual.)

Use only 5" (127 mm) plain end scroll saw replacement blades.

BLADE TENSION LEVER

Move the blade tension lever (Figure 5) to the left to increase tension on the blade.

The proper degree of tension varies with different blade sizes. If you are frequently breaking blades, decrease tension on the blade.

As you become more accustomed to operating your scroll saw, you will become more proficient in fine-tuning blade tension. Practice on scrap material when possible.

Remove the blade or release tension on the blade when not using your scroll saw for an extended period.

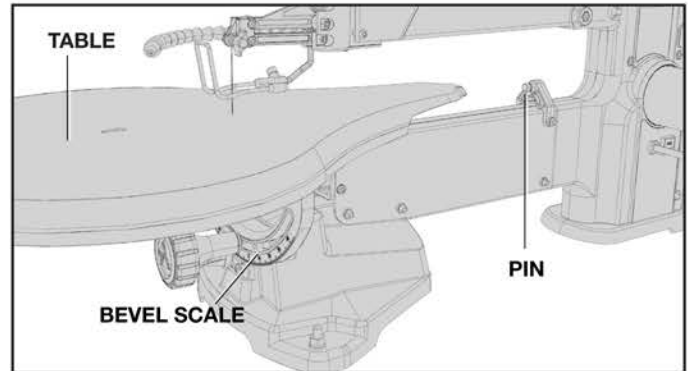


FIG. 1

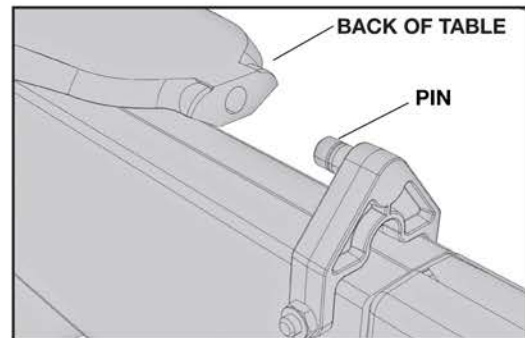


FIG. 2

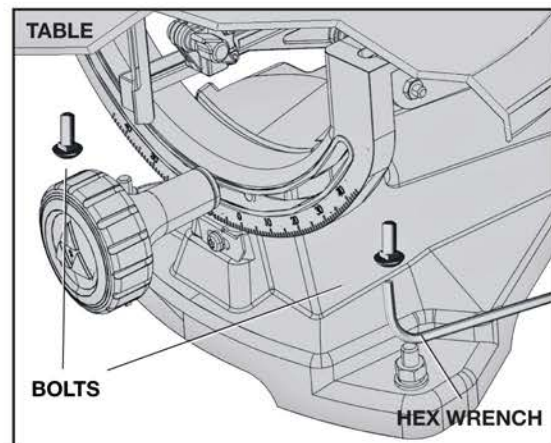


FIG. 3

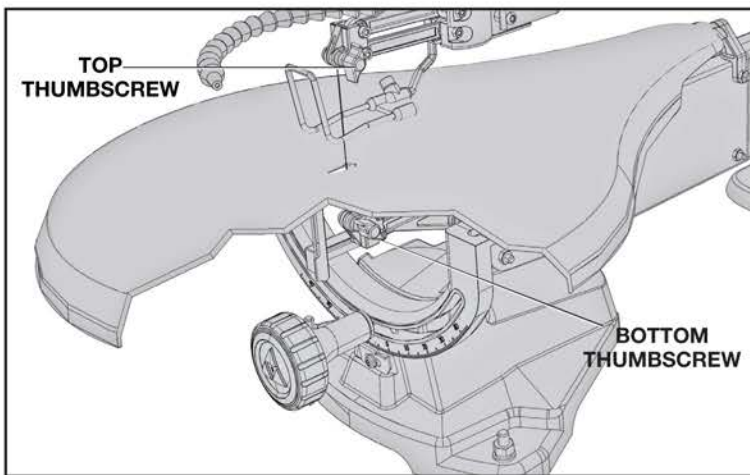


FIG. 4

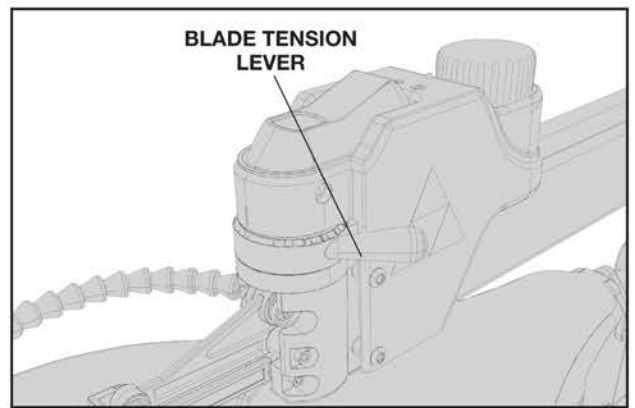


FIG. 5

OPERATION

OPERATIONAL CONTROLS AND ADJUSTMENTS

STARTING AND STOPPING SCROLL SAW

⚠ WARNING: To reduce the risk of injury, make sure that the switch is in the "OFF" position before plugging cord into outlet. Do not touch the plug's metal prongs when unplugging or plugging in the cord.

To turn the scroll saw on, press the front of the switch (A) Fig. 6. The saw locks on automatically. To turn the tool off, press the back of the switch (A). A hole (B) is provided in the switch for insertion of a padlock to lock the saw off (Figure 6).

LOCKING SWITCH IN THE "OFF" POSITION

IMPORTANT: When the machine is not in use, the switch should be locked in the "OFF" position to prevent unauthorized use, using a padlock with a 3/16" (4.76 mm) diameter shackle through hole (B) Fig. 6.

⚠ WARNING: To reduce the risk of injury, in the event of a power outage (such as a breaker or fuse trip), always turn the tool "OFF" and unplug until the main power is restored.

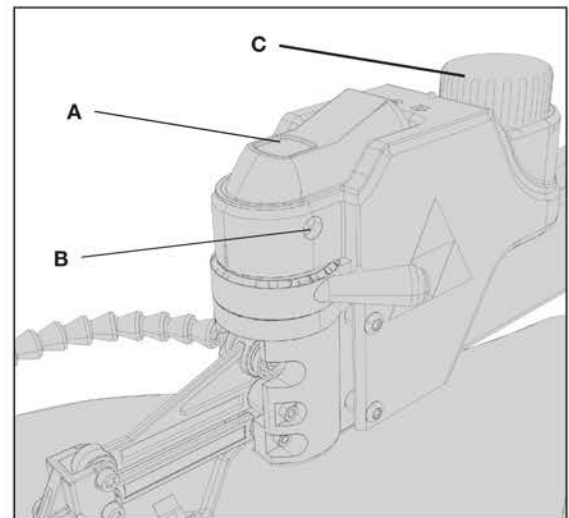


FIG. 6

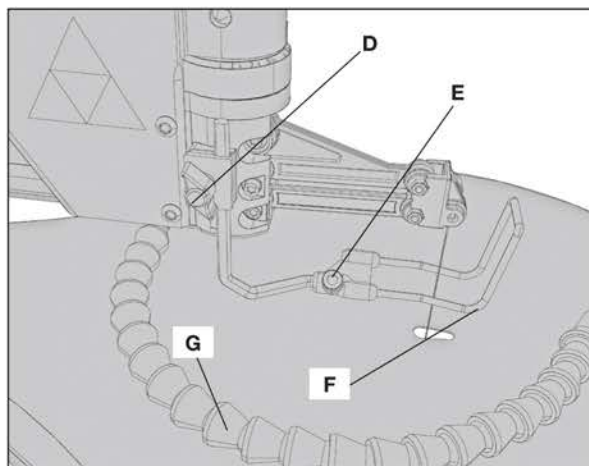


FIG. 7

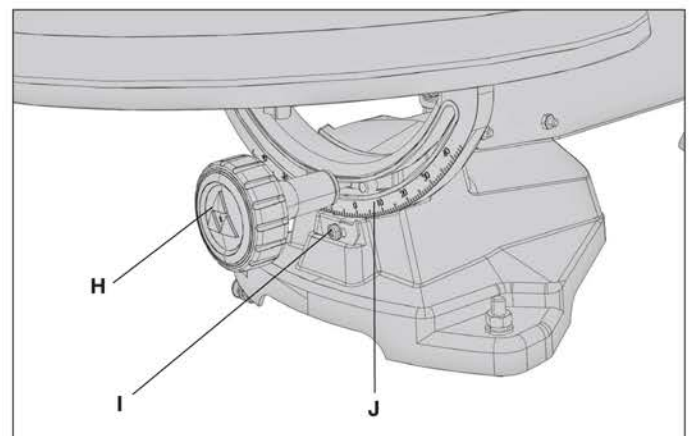


FIG. 8

MACHINE USE

MATERIAL HOLD-DOWN

The material hold-down (F) Fig. 7 should contact the surface of the workpiece. To adjust the material hold-down, loosen the thumbscrew (D) Fig. 7 and move the rod up or down.

The material hold-down must be beveled when the table is beveled. To bevel the material hold-down, loosen the hex screw (E) Fig. 9 and bevel the material hold-down until it is parallel to the table. Retighten the material hold-down before cutting.

NOTE: When cutting, ensure the material hold-down does not contact the bottom arm of the scroll saw. Your scroll saw has a maximum thickness capacity of 2" (50.8 mm). Do not cut material thicker than 2" (50.8 mm). NEVER remove the material hold-down since it also functions as a barrier between fingers and blade.

AIR HOSE

Your scroll saw features an adjustable air (G) Fig. 7 hose to keep your work area free from dust and debris. Be sure to position the air hose properly: it should blow saw dust away from the operator.

SPEED CONTROL KNOB

Your scroll saw features a variable speed control, from 400 to 1,750 strokes per minute. To operate the variable speed feature, turn the speed control knob (C) Fig. 6 with the saw running.

To increase the speed, turn the knob clockwise. The numbers on the control knob represent speed ranges. One is the minimum speed, 8 is the maximum speed. Slower speeds are recommended for metals, plastics, harder woods and very thin materials.

SAWING

Hold material firmly against table. Always feed material toward the blade. Feed the workpiece enough to allow the blade to cut, but do not force material into blade too quickly.

BEVELING

The table of your scroll saw bevels 45° left and right. A detent is set at 0°. To bevel the scroll saw table, loosen

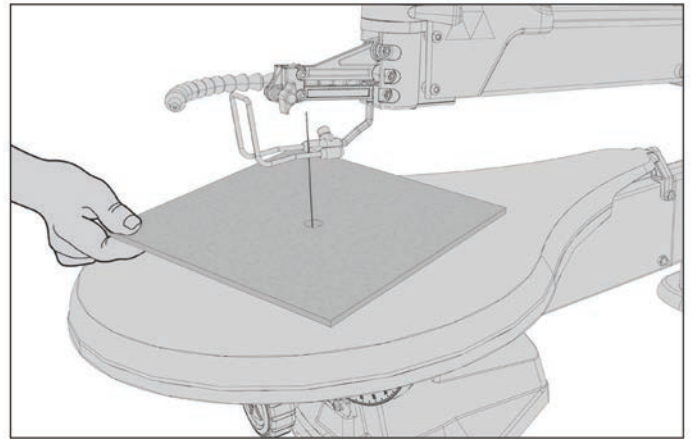


FIG. 9

the bevel lock knob (H) Fig. 8, and bevel the table to the desired setting on the bevel scale (J), indicated by the bevel pointer (I).

NOTE: Before tilting the table for bevel cuts of 45°, check the clearance around the lower thumbscrew. To facilitate an accurate 45° cut, the thumbscrew and set screw may need to change places. On the setscrew side, sufficient clearance is available.

FRETWORK

INSIDE CUTS

Your scroll saw is ideal for making inside cuts for detail work. To make an inside cut:

1. Drill a pilot hole in your workpiece.
 2. Make sure the blade tension lever is moved fully to the right.
 3. Loosen the top thumbscrew blade clamp.
 4. Leaving the blade held in place by the bottom blade clamp, lift the top arm of the scroll saw, as shown in Figure 9. Thread the saw blade through the pilot hole in your workpiece and reattach the blade by tightening the top thumbscrew.
 5. Readjust the blade tension and begin the inside cut.
- Alternately, you can loosen the bottom thumbscrew blade clamp in step 3 above, and thread the blade through the top of the workpiece.

NOTE: Do not lift saw by upper arm. Damage will occur.

TROUBLESHOOTING

For assistance with your machine, visit our website at www.DeltaMachinery.com for a list of service centers or call the DELTA® Power Equipment Corporation help line at 1-800-223-7278.

MAINTENANCE

⚠ WARNING: To reduce the risk of injury, turn unit off and disconnect it from power source before installing and removing accessories, before adjusting or when making repairs. An accidental start-up can cause injury.

KEEP MACHINE CLEAN

Periodically blow out all air passages with dry compressed air. All plastic parts should be cleaned with a soft damp cloth. NEVER use solvents to clean plastic parts. They could possibly dissolve or otherwise damage the material.

⚠ WARNING: Wear certified safety equipment for eye, hearing and respiratory protection while using compressed air.

FAILURE TO START

Should your machine fail to start, check to make sure the prongs on the cord plug are making good contact in the outlet. Also, check for blown fuses or open circuit breakers in the line.

LUBRICATION & RUST PROTECTION

Apply household floor paste wax to the machine table, extension table or other work surface weekly. Or use a commercially available protective product designed for this purpose. Follow the manufacturer's instructions for use and safety.

To clean cast iron tables of rust, you will need the following materials: a medium sized scouring pad, a can of spray lubricant and a can of degreaser. Apply the spray lubricant and polish the table surface with the scouring pad. Degrease the table, then apply the protective product as described above.

OVERLOAD PROTECTOR

Your scroll saw is equipped with a 3 amp overload protection fuse. If your scroll saw becomes overloaded and stops operating, turn off the scroll saw, check for a blown fuse by removing the fuse cap (Figure 10). Your scroll saw uses fuse #3AG Fast Acting, 1-1/4" (31.7 mm) long x 1/4" (6.3 mm) diameter.

BRUSHES

Inspect carbon brushes regularly by unplugging tool, removing the brush inspection cap (Figure 10) and withdrawing the brush assembly. Keep brushes clean and sliding freely in their guides. Always replace a used brush in the same orientation in the holder as it was prior to its removal. If the brush is worn down to 3/8" (10 mm), it must be replaced. Use only identical DELTA® brushes. New brush assemblies are available at DELTA® service centers. The tool should be allowed to "run in" (run at no load) for 10 minutes before use to seat new brushes.

TABLE

Keep the table clean and free from oil, grease and pitch. Treat the table with paste wax to help maintain its smooth finish.

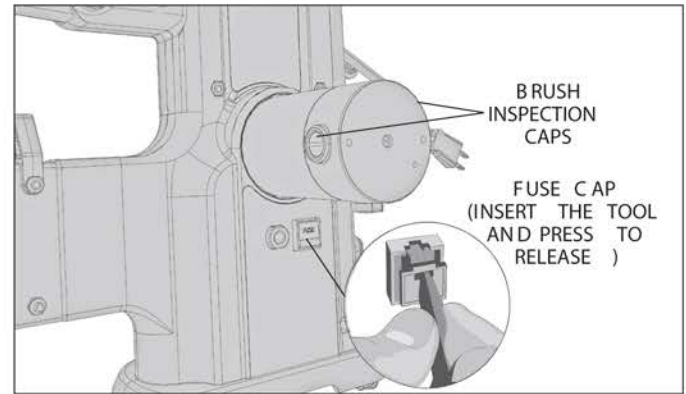


FIG. 10

SERVICE

REPLACEMENT PARTS

Use only identical replacement parts. For a parts list or to order parts, visit our website at www.DeltaMachinery.com/service. You can also order parts from your nearest factory-owned branch, Authorized Warranty Service Center or by calling Technical Service Manager at 1-800-223-7278 to receive personalized support from one of our highly-trained representatives.

FREE WARNING LABEL REPLACEMENT

If your warning labels become illegible or are missing, call 1-800-223-7278 for a free replacement.

⚠️ WARNING TO REDUCE THE RISK OF INJURY, USER MUST READ INSTRUCTION MANUAL BEFORE OPERATING SCROLL SAW. ALWAYS USE PROPER EYE AND RESPIRATORY PROTECTION. DO NOT WEAR GLOVES, NECKTIES, JEWELRY, OR LOOSE CLOTHING. BOTH GUARDS SHOULD BE PROPERLY PLACED AND USED AT ALL TIMES. HOLD WORK PIECE FIRMLY AGAINST TABLE. KEEP HANDS AND FINGERS AWAY FROM BLADE. DO NOT REMOVE JAMMED OR SCRAP PIECES UNTIL THE BLADE HAS STOPPED WITH POWER OFF. DISCONNECT MACHINE FROM POWER SOURCE BEFORE MAKING REPAIRS OR ADJUSTMENTS. DO NOT OPERATE WHILE UNDER THE INFLUENCE OF DRUGS, ALCOHOL, OR MEDICATION. SOME WOOD CONTAINS PRESERVATIVES SUCH AS COPPER CHROMIUM ARSENATE (CCA) WHICH CAN BE TOXIC. WHEN SAWING THESE MATERIALS EXTRA CARE SHOULD BE TAKEN TO AVOID INHALATION AND MINIMIZE SKIN CONTACT.

⚠️ ADVERTENCIA PARA REDUCIR EL RIESGO DE LESIONES USUARIO DEBE LEER EL MANUAL DE INSTRUCCIONES ANTES DE OPERAR LA SIERRA CALADORA. SIEMPRE USAR PROTECCIÓN ADECUADA PARA LOS OJOS Y VÍAS RESPIRATORIAS. NO USAR GUANTES, CORBATAS, JOYAS NI ROPA HOLGADA. AMBOS PROTECTORES DEBEN COLOCARSE CORRECTAMENTE Y UTILIZARSE EN TODO MOMENTO SOSTENIENDO FIRMEMENTE LA PIEZA DE TRABAJO CONTRA LA MESA. MANTEN LAS MANOS Y LOS DEDOS ALEJADOS DE LA HOJA. NO RETIRE LAS PIEZAS ATASCADAS O DE DESCARTE MIENTRAS LA HOJA NO SE HAYA DETENIDO CON LA ALIMENTACIÓN APAGADA. DISCONECTE LA MÁQUINA DE LA FUENTE DE ALIMENTACIÓN ANTES DE REALIZAR REPARACIONES O AJUSTES. NO OPERE LA UNIDAD BAJO LA INFLUENCIA DE DROGAS, ALCOHOL O MEDICAMENTO. ALGUNAS MADERAS CONTIENEN CONSERVANTES, COMO EL ARSENATO DE COBRE CRÓMICO (CCA, POR SUS SIGLAS EN INGLÉS), QUE PUEDEN SER TÓXICOS. AL ASERRAR ESTOS MATERIALES, DEBE TENERSE ESPECIAL CUIDADO PARA EVITAR LA INHALACIÓN Y MINIMIZAR EL CONTACTO CON LA PIEL.

⚠️ AVERTISSEMENT L'UTILISATEUR DOIT LIRE LE MODE D'EMPLOI AVANT D'UTILISER LA SCIE À CHANTOURNER AFIN DE RÉDUIRE LE RISQUE DE BLESSURE. TOUJOURS UTILISER UNE PROTECTION OCULAIRE ET RESPIRATOIRE ADEQUATE. NE PAS PORTER DE GANTS, CRAVATES, BIJOUX OU VÊTEMENTS AMPLES. LES DEUX PARE-MAINS DEVRAIENT ÊTRE BIEN PLACÉS ET UTILISÉS EN TOUT TEMPS. TENIR FERMEMENT LA PIÈCE CONTRE LA TABLE. ÉLOIGNER LES MAINS ET LES DOIGTS DE LA LAME. NE PAS RETIRER LES PIÈCES COINCÉES OU LES CHUTES AVANT L'ARRÊT COMPLET DE LA LAME ET DE L'OUTIL. DÉBRANCHER L'APPAREIL DE LA SOURCE D'ALIMENTATION AVANT D'EFFECTUER DES RÉPARATIONS OU DES RÉGLAGES. NE PAS UTILISER L'APPAREIL AVEC DES FACILITÉS AFFAIBLIES PAR LA DROGUE, L'ALCOHOL OU UN MÉDICAMENT. CERTAINES DE BOIS RENFERMENT DES AGENTS DE PRÉSERVATION QUI PEUVENT ÊTRE TOXIQUES, NOTAMMENT L'ARSENATE DE CHROME ET DE CHROME (CCA, AU MOMENT DE SCIER CES MATÉRIAUX, FAIRE PRELÈVE DE GRANDE PRUDENCE POUR ÉVITER D'INHALER ET MINIMISER LE CONTACT CUTANÉ.

CAUTION

DO NOT LIFT SAW BY UPPER ARM, DAMAGE WILL OCCUR.

ATENCIÓN

NO LEVANTE LA SIERRA SUJETÁNDOLA DEL BRAZO SUPERIOR O SE DAÑARÁ.

ATTENTION

NE PAS LEVER LA SCIE PAR LE BRAS SUPÉRIEUR, CAR CELA L'ENDOMMAGERAIT.

⚠️ WARNING

TO REDUCE THE RISK OF ELECTRIC SHOCK DO NOT CONNECT TO AN UNGROUNDED SUPPLY.

⚠️ ADVERTENCIA

PARA REDUCIR EL RIESGO DE DESCARGA ELÉCTRICA NO CONECTE UN SUMINISTRO SIN CONEXIÓN A TIERRA.

⚠️ WARNING

TO REDUCE THE RISK OF ELECTRIC SHOCK DO NOT CONNECT TO AN UNGROUNDED SUPPLY.

⚠️ AVERTISSEMENT

POUR RÉDUIRE LE RISQUE DE CHOC ÉLECTRIQUE NE PAS BRANCHER À UNE SOURCE D'ALIMENTATION NON MISE À LATÈRE.

DELTA

<p>▲ WARNING</p> <p>HOT SURFACE. KEEP AWAY FROM CURTAINS AND OTHER COMBUSTIBLE MATERIALS TO REDUCE THE RISK OF FIRE. USE MAX 25WATT 120VOLT TYPE S BULB DO NOT USE STANDARD HOUSEHOLD BULB</p>	<p>▲ ADVERTENCIA</p> <p>SUPERFICIE CALIENTE. MANTENGALA LEJADA DE CORTINAS Y OTROS MATERIALES COMBUSTIBLES PARA REDUCIR EL RIESGO DE INCENDIO. UTILICE UNABOMBILLATIPO S DE 25 VARIOS MÁX 120VOLTIOS NO UTILICE UNA BOMBILLA ESTANDAR DE USO DOMESTICO</p>	<p>▲ AVERTISSEMENT</p> <p>SURFACE CHAUDE. GARDEZ L'ÉCART DES RIDEAUX ET D'AUTRES MATIÈRES COMBUSTIBLES POUR RÉDUIRE LE RISQUE D'INCENDIE. UTILISER UNE AMPOULE D'ÉTYPE S, DE 25 W MAX. ET DE 120V. NE PAS UTILISER D'AMPOULE DOMESTIQUE STANDARD</p>
-------------------------------------------------------------------------------------------------------------------------------------------------------------------------------------------------------	-------------------------------------------------------------------------------------------------------------------------------------------------------------------------------------------------------------------------------------------------------------------	-------------------------------------------------------------------------------------------------------------------------------------------------------------------------------------------------------------------------------------------------------------

DELTA

MOD. 40-695
20" (508 mm) Scroll Saw
Sierra caladora de 508 mm (20 pulg)
Scie à chantourner de 508 mm (20 pulg)

DE LTA Machinery y. Anderson, SC 29626
Made in Taiwan / Fabricado en Taiwán / Fabriqué à Taiwan

<p>▲ WARNING</p> <p>TO REDUCE THE RISK OF INJURY, READ INSTRUCTION MANUAL BEFORE OPERATING SAW. ALWAYS USE PROPER EYE AND RESPIRATORY PROTECTION. WHEN SERVICING, USE ONLY IDENTICAL REPLACEMENT PARTS. DO NOT EXPOSE TO RAIN OR USE IN DAMP LOCATIONS.</p>	<p>▲ ADVERTENCIA</p> <p>PARA REDUCIR EL RIESGO DE LESIONES, LEA EL MANUAL DE INSTRUCCIONES ANTES DE OPERAR LA SIERRA. SIEMPRE UTILICE PROTECCIÓN ADECUADA PARA LOS OJOS Y LAS VÍAS RESPIRATORIAS. AL REALIZAR EL MANTENIMIENTO, SOLO UTILICE PIEZAS DE REPUESTO IDENTICAS. NO EXPONER A LA LLUVIA NI UTILIZAR EN LUGARES HÚMEDOS.</p>	<p>▲ AVERTISSEMENT</p> <p>POUR RÉDUIRE LE RISQUE DE BLESSURES, LIRE LE MODE D'EMPLOI AVANT UTILISATION DE LA SCIE. TOUJOURS UTILISER UNE PROTECTION OCULAIRE ET RESPIRATOIRE ADEQUATE. POUR LA RÉPARATION, UTILISER UNIQUEMENT DES PIÈCES DE RECHANGE IDENTIQUES. PROTÉGER DE LA PLUIE ET NE PAS</p>
--------------------------------------------------------------------------------------------------------------------------------------------------------------------------------------------------------------------------------------------------------------------	----------------------------------------------------------------------------------------------------------------------------------------------------------------------------------------------------------------------------------------------------------------------------------------------------------------------------------------------	-------------------------------------------------------------------------------------------------------------------------------------------------------------------------------------------------------------------------------------------------------------------------------------------------------------

DELTA

MOD. 40-691
Scr oll Saw Stand
Soporte de Sierra Caladora
Support de Scie à découper

DE LTA Machinery - Anderson, SC 29626
Made in China / Hecho en China / Fabriqué en Chine

<p>▲ WARNING</p> <p>TO REDUCE THE RISK OF INJURY, USER MUST READ TOOL INSTRUCTION MANUAL BEFORE OPERATING PRODUCT. FOR USE WITH 40-690 SCROLL SAW, FASTEN TOOL TO STAND BEFORE USE. TIGHTEN ALL FASTENERS COMPLETELY BEFORE USE. MAXIMUM LOAD - 150 LBS (68 KG). DO NOT CLIMB. SET ON STAND ON SAW STAND. DO NOT USE STAND ON UNEVEN OR LA UNSTABLE SURFACE.</p>	<p>▲ ADVERTENCIA</p> <p>PARA REDUCIR EL RIESGO DE LESIONES, EL USUARIO DEBE LEER EL MANUAL DE INSTRUCCIONES ANTES DE OPERAR EL PRODUCTO. PARA USO CON LA SIERRA CALADORA 40-690, AJUSTE LA HERRAMIENTA A LA BASE ANTES DEL USO. AJUSTE COMPLETAMENTE TODOS LOS SUJETADORES ANTES DEL USO. CARGA MÁXIMA: 168 KG (150 LIBRAS). NO SE SUBA. SIENTE NI PARE SOBRE LA BASE DE LA SIERRA. NO UTILICE LA BASE SOBRE UNA SUPERFICIE DISPARAJA O INESTABLE.</p>	<p>▲ AVERTISSEMENT</p> <p>AFIN DE RÉDUIRE LE RISQUE DE BLESSURES, L'UTILISATEUR DOIT LIRE LE MODE D'EMPLOI AVANT D'UTILISER LE PRODUIT. UTILISER LE PRODUIT AVEC LA SCIE A DÉCOUPER 40-690. FIXER L'OUTIL AU SŒCLE AVANT SON UTILISATION. BIEN SERRER TOUTES LES ATTACHES AVANT D'UTILISER L'OUTIL. CHARGE MAXIMALE: 68 KG (150 LB). NE PAS GRIMPER, S'ASSEoir OU SE TENIR DÉBOUT SUR LE SŒCLE DE LA SCIE. NE PAS UTILISER LE SŒCLE SUR UNE SURFACE INÉGALE OU INSTABLE.</p>
-------------------------------------------------------------------------------------------------------------------------------------------------------------------------------------------------------------------------------------------------------------------------------------------------------------------------------------------------------------------------	---------------------------------------------------------------------------------------------------------------------------------------------------------------------------------------------------------------------------------------------------------------------------------------------------------------------------------------------------------------------------------------------------------------------------------------------------------------	-------------------------------------------------------------------------------------------------------------------------------------------------------------------------------------------------------------------------------------------------------------------------------------------------------------------------------------------------------------------------------------------------------------------------------------------------------------------------------------

SERVICE AND REPAIRS

All quality tools will eventually require servicing and/or replacement of parts. For Information about DELTA® Power Equip. Corporation, its factory-owned branches, or to locate an Authorized Warranty Service Center, visit our website at www.DeltaMachinery.com or call our Technical Service Manager at 1-800-223-7278. All repairs made by our service centers are fully guaranteed against defective material and workmanship. We cannot guarantee repairs made or attempted by others. By calling this number you can also find answers to most frequently asked questions.

You can also write to us for information at DELTA® Power Equipment Corporation, 2651 New Cut Road, Spartanburg, SC 29303. - Attention: Technical Service Manager. Be sure to include of the all information shown on the nameplate of your tool (model number, type, serial number, date code, etc.)

ACCESSORIES

▲ WARNING: Since accessories other than those offered by DELTA® have not been tested with this product, use of such accessories could be hazardous. To reduce the risk of injury, only DELTA® recommended accessories should be used with this product.

A complete line of accessories is available from your DELTA® Supplier • DELTA® Factory Service Centers, and DELTA® Authorized Service Stations. Please visit our Web Site www.DeltaMachinery.com for the name of your nearest supplier.

WARRANTY

To register your tool for warranty service visit our website at www.DeltaMachinery.com.

Five Year Limited New Product Warranty

DELTA® will repair or replace, at its expense and at its option, any new DELTA® machine, machine part, or machine accessory which in normal use has proven to be defective in workmanship or material, provided that the customer returns the product prepaid to a DELTA® factory service center or authorized service station with proof of purchase of the product within five years and provides DELTA® with reasonable opportunity to verify the alleged defect by inspection. For all refurbished DELTA® product, the warranty period is 180 days. DELTA® will not be responsible for any asserted defect which has resulted from normal wear, misuse, abuse or repair or alteration made or specifically authorized by anyone other than an authorized DELTA® service facility or representative. Under no circumstances will DELTA® be liable for incidental or consequential damages resulting from defective products. Some states do not allow the exclusion or limitation of incidental or consequential damages, so the above limitation or exclusion may not apply to you. This warranty is DELTA's sole warranty and sets forth the customer's exclusive remedy, with respect to defective products; all other warranties, express or implied, whether of merchantability, fitness for purpose, or otherwise, are expressly disclaimed by DELTA. For further detail of warranty coverage and warranty repair information, visit www.DeltaMachinery.com or call 1-800-223-7278. This warranty gives you specific legal rights and you may have other rights which vary in certain states or provinces.

LATIN AMERICA: This warranty does not apply to products sold in Latin America. For products sold in Latin America, see country specific warranty information contained in the packaging, call the local company or see website for warranty information.

▲ AVERTISSEMENT :

Lire toutes instructions d'avertissements et opération avant d'utiliser n'importe quel outil ou n'importe quel équipement. En utilisant les outils ou l'équipement, les précautions de sûreté fondamentales toujours devraient être suivies pour réduire le risque de blessure personnelle. L'opération déplacée, l'entretien ou la modification d'outils ou d'équipement ont pour résultat la blessure sérieux et les dommages de propriété. Il y a de certaines applications pour lequel outils et l'équipement sont conçus. devrait être modifié en aucune façon et/ou utilisé pour aucune application autre que celle pour laquelle il a été conçu.



Ce produit NE

Si vous avez n'importe quelles questions relatives à son application n'utilisent pas le produit jusqu'à ce que vous avez écrit DELTA Power Equipment Corporation et nous vous avons conseillé. La forme en ligne de contact à www.DeltaMachinery.com
 Courrier Postal: Technical Service Manager, DELTA Power Equipment Corporation, 2651 New Cut Road, Spartanburg, SC 29303.

Information en ce qui concerne l'opération sûre et correcte de cet outil est disponible des sources suivantes:

- Power Tool Institute, 1300 Sumner Avenue, Cleveland, OH 44115-2851 ou en ligne www.powertoolinstitute.com
- National Safety Council, 1121 Spring Lake Drive, Itasca, IL 60143-3201
- American National Standards Institute, 25 West 43rd Street, 4 floor, New York, NY 10036 www.ansi.org - ANSI 01.1 Safety Requirements for Woodworking Machines
- U.S. Department of Labor regulations www.osha.gov

CONSERVER CES DIRECTIVES.

MESURES DE SÉCURITÉ - DÉFINITIONS

Ce guide contient des renseignements importants que vous deviez bien saisir. Cette information porte sur VOTRE SÉCURITÉ et sur LA PRÉVENTION DE PROBLÈMES D'ÉQUIPEMENT. Afin de vous aider à identifier cette information, nous avons utilisé les symboles ci-dessous.

▲ DANGER:

indique une situation dangereuse imminente qui, si elle n'est pas évitée, causera la mort ou des blessures graves.

▲ AVERTISSEMENT :

indique une situation potentiellement dangereuse qui, si elle n'est pas évitée, pourrait se solder par un décès ou des blessures graves.

▲ ATTENTION:

indique une situation potentiellement dangereuse qui, si elle n'est pas évitée pourrait se solder par des blessures mineures ou modérées.

AVIS :

indique une pratique ne posant aucun risque de dommages corporels mais qui par contre, si rien n'est fait pour l'éviter, pourrait poser des risques de dommages matériels.

▲ AVERTISSEMENT :

Les scies, meules, ponceuses, perceuses ou autres outils de construction peuvent produire des poussières contenant des produits chimiques reconnus par l'État californien pour causer cancers, malformations congénitales ou être nocifs au système reproducteur. Parmi ces produits chimiques, on retrouve :

- plomb dans les peintures à base de plomb ;
- silice cristallisée dans les briques et le ciment ou autres articles de maçonnerie ; et
- l'arsenic et le chrome dans le bois ayant subi un traitement chimique (ACC).

Le risque associé à de telles expositions varie selon la fréquence à laquelle on effectue ces travaux. Pour réduire toute exposition à ces produits : travailler dans un endroit bien aéré, en utilisant du matériel de sécurité homologué tel un masque antipoussières spécialement conçu pour filtrer les particules microscopiques.

RÈGLES DE SÉCURITÉ GÉNÉRALES

▲ AVERTISSEMENT : L'inobservation de ces règles peut conduire à des blessures graves.

- Pour sa sécurité personnelle, lire la notice d'utilisation, avant de mettre la machine.** En marche, et pour aussi apprendre l'application et les limites de la machine ainsi que les risques qui lui sont particuliers ainsi, les possibilités d'accident et de blessures seront beaucoup réduites.
- Portez des dispositifs de protection des yeux et de l'ouïe. Utilisez toujours des lunettes de sécurité.** Des lunettes ordinaires ne constituent pas des lunettes de sécurité. Utilisez des équipements de sûreté homologués. Les dispositifs de protection des yeux doivent être conformes aux normes ANSI Z87.1. Les dispositifs de protection de l'ouïe doivent être conformes aux normes ANSI S3.19.
- Porter une tenue appropriée.** Pas de cravates, de gants, ni de vêtements amples. Enlever montre, bagues et autres bijoux. Rouler les manches. Les vêtements ou les bijoux qui se trouvent pris dans les pièces mobiles peuvent entraîner des blessures.
- Ne pas utiliser la machine dans un environnement dangereux.** L'utilisation d'outils électriques dans des endroits humides ou sous la pluie peut entraîner des décharges électriques ou une électrocution. Garder la zone de travail bien éclairée pour éviter de trébucher ou d'exposer les doigts, les mains ou les bras à une situation dangereuse.
- Ne pas utiliser d'outils électriques à proximité de liquides inflammables ou dans une atmosphère gazeuse ou explosive.** Les moteurs et interrupteurs des outils pourraient provoquer des étincelles et enflammer des vapeurs.
- Garder les outils et les machines en parfait état.** Garder les outils affûtés et propres afin d'obtenir le meilleur et le plus sûr rendement. Suivre les instructions pour lubrifier et changer les accessoires. Les outils et les machines mal entretenus peuvent se dégrader davantage, et/ou entraîner des blessures.
- Inspecter les pièces pour déceler tout dommage.** Avant d'utiliser la machine, la vérifier pour voir s'il n'y a pas de pièces endommagées. Vérifier l'alignement des pièces mobiles et si ces pièces ne se coincent pas, la rupture de pièces, ou toute autre condition pouvant en affecter le fonctionnement. Toute pièce ou protecteur endommagé doit être réparé ou remplacé avec le DELTA® ou les pièces de rechange autorisées par usine. Les pièces endommagées peuvent dégrader davantage la machine et/ou entraîner des blessures.
- Garder l'aire de travail propre.** Les zones et établis encombrés favorisent les accidents.
- Garder les enfants et les visiteurs à distance.** L'atelier est un lieu potentiellement dangereux. Les enfants et les visiteurs peuvent se blesser.
- Éviter le démarrage accidentel.** S'assurer que l'interrupteur est sur « OFF » (ARRÊT) avant de brancher le cordon. En cas de coupure de courant, placer l'interrupteur à la position « OFF » (ARRÊT). Un démarrage accidentel peut entraîner des blessures.
- Utiliser les dispositifs protecteurs.** Vérifier que tous les dispositifs protecteurs sont bien en place, bien fixés et en bon état de marche pour éviter les blessures.
- Enlever les clés de réglage et celles de serrage avant de mettre la machine en marche.** Les outils, les chutes et les autres débris peuvent être projetés violemment et blesser.
- Utiliser la bonne machine.** Ne pas forcer la machine ou l'accessoire à faire un travail pour lequel il n'a pas été conçu. Des dommages à la machine et/ou des blessures pourraient s'ensuivre.
- Utiliser les accessoires recommandés.** L'utilisation d'accessoires non recommandés par DELTA® peut endommager la machine et blesser l'utilisateur.
- Utiliser le cordon prolongateur approprié.** S'assurer que le cordon prolongateur est en bon état. Lorsqu'un cordon prolongateur est utilisé, s'assurer que celui-ci est d'un calibre suffisant pour l'alimentation nécessaire à la machine. Un cordon d'un calibre insuffisant entraînera une perte de tension d'où une perte de puissance et surchauffe. Voir le **Tableau sur Les Cordons** prolongateurs pour obtenir le calibre approprié selon la longueur du cordon et l'ampérage de la machine. S'il y a un doute, utiliser un cordon d'un calibre supérieur. Plus le chiffre est petit, plus le fil est gros.
- Fixer la pièce.** Utilisez les brides ou un étau pour tenir l'objet si pratique. La perte de commande d'un objet peut causer des dommages.
- Avancer la pièce dans le sens contraire à la rotation de la lame, de la fraise ou de la surface abrasive.** L'alimentation dans l'autre sens peut entraîner une projection violente de la pièce.
- Ne pas forcer la machine en avançant la pièce trop vite.** Des dommages et/ou des blessures peuvent s'ensuivre.
- Ne pas se pencher au-dessus de la machine.** Une perte de l'équilibre peut entraîner une chute sur la machine en marche et causer des blessures.
- Ne jamais monter sur la machine.** On peut se blesser gravement si la machine bascule ou si l'on touche accidentellement son outil tranchant.
- Ne jamais laisser la machine en marche sans surveillance. Couper le courant.** Ne pas quitter la machine tant qu'elle n'est pas complètement arrêtée. Un enfant ou un visiteur pourrait se blesser.
- Mettre la machine à « OFF » (ARRÊT) et la débrancher avant d'installer ou d'enlever des accessoires, changer les coupeurs, d'ajuster ou de changer des montages.** En débranchant, soyez sûr de fermer le commutateur de début en position « OFF » (ARRÊT). Un démarrage accidentel peut entraîner des blessures.
- Mettre l'atelier à l'abri des enfants au moyen de cadenas, d'interrupteurs principaux ou en enlevant les boutons des dispositifs de mise en marche.** Le démarrage accidentel de la machine par un enfant ou un visiteur peut entraîner des blessures.
- Rester vigilant, attentif, et faire preuve de bon sens. Ne pas utiliser la machine lorsque l'on est fatigué ou sous l'influence de drogues, d'alcool ou de médicaments.** Un instant d'inattention lors de l'utilisation d'outils électriques peut entraîner des blessures graves.
- ▲ AVERTISSEMENT :** L'utilisation de cet outil peut produire et disperser de la poussière ou d'autres particules en suspension dans l'air, telles que la sciure de bois, la poussière de silicium cristallin et la poussière d'amiante. Dirigez les particules loin du visage et du corps. Faites toujours fonctionner l'outil dans un espace bien ventilé et prévoyez l'évacuation de la poussière. Utilisez un système de dépoussiérage chaque fois que possible. L'exposition à la poussière peut causer des problèmes de santé graves et permanents, respiratoires ou autres, tels que la silicose (une maladie pulmonaire grave) et le cancer, et même le décès de la personne affectée. Évitez de respirer de la poussière et de rester en contact prolongé avec celle-ci. En laissant la poussière pénétrer dans vos yeux ou votre bouche, ou en la laissant reposer sur votre peau, vous risquez de promouvoir l'absorption de substances toxiques. Portez toujours des dispositifs de protection respiratoire homologués par niosh/osha, appropriés à l'exposition à la poussière et de taille appropriée, et lavez à l'eau et au savon les surfaces de votre corps qui ont été exposées.

RÈGLES SPÉCIFIQUES ADDITIONNELLES DE SÛRETÉ

▲ AVERTISSEMENT : L'inobservation de ces règles peut conduire à des blessures graves.

- Ne pas laisser la familiarité à l'outil (acquise par l'utilisation fréquente de la scie) remplacer les consignes de sécurité suivantes. Se rappeler qu'il suffit d'une fraction de seconde d'inattention pour causer des dommages corporels sérieux.
- Demander conseil à un supérieur, un instructeur, ou à toute autre personne qualifiée, si l'on n'est pas complètement familier avec l'utilisation de cette machine. Le savoir est source de sécurité.
- Ne pas utiliser cette machine tant qu'elle n'est pas complètement assemblée et installée, conformément aux instructions données. Une machine incorrectement assemblée pose des risques de dommages corporels graves.
- Arrimer soigneusement la scie au banc ou à l'établi à l'aide des fixations ou de la quincaillerie d'installation. Arrimer soigneusement le banc ou l'établi au sol. Les vibrations pourraient faire glisser, bouger la machine ou la renverser.
- S'assurer que les doigts n'entrent pas en contact avec les terminaux du cordon électrique lors du branchement/débranchement de la fiche.
- Ne jamais mettre la machine en marche alors que la pièce à travailler touche la lame. Celle-ci pourrait être éjectée et causer des dommages corporels.
- Ne jamais démarrer la machine tant que les poignées ne sont pas verrouillées et que la lame n'est pas sur la tension adéquate. Vérifier que la taille et le type de lame sont corrects. Toute utilisation anormale pose des risques de dommages corporels.
- Ne pas découper de pièces trop petites pour être soutenues en toute sécurité. Lorsque les mains sont trop proches de la lame, tout faux mouvement pose des risques de dommages corporels.
- Maintenir les dispositifs de protection en place et en bon état de marche.
- Les dispositifs de retenue doivent être correctement installés, conformément à ces instructions, et rester en position pendant toute utilisation. Soutenir aussi soigneusement toute pièce à travailler longue ou large. Une perte de contrôle de la pièce à travailler pourrait occasionner des dommages corporels.
- Ne jamais mettre les doigts sous la table ou effectuer des réglages pendant le fonctionnement de l'outil. La lame en mouvement sous la table pose des risques de dommages corporels.
- Ne jamais utiliser le bras supérieur comme instrument de levage.
- Éviter une mauvaise position des mains qui pourrait provoquer une chute soudaine et les mettre en contact avec la lame ou l'organe de coupe. Ne pas mettre les doigts ou les mains sur le chemin de la lame.
- Avant de retirer des pièces courtes, ou nettoyer autour de la table, s'assurer que la scie est arrêtée et la lame parfaitement immobile. Une chute soudaine pourrait provoquer un contact involontaire des mains avec la lame et poser des risques de dommages corporels.
- Ne jamais mettre la scie en marche avant de débarrasser la table de tout objet (outils, rebuts de bois, etc.) à l'exception de la pièce à travailler, et de tout dispositif d'alimentation ou de support pour l'opération en cours. Laissés sur la table, ces débris pourraient être projetés brusquement, et causer des dommages corporels. Une fois terminé, arrêter la machine, et la débrancher du secteur, puis nettoyer l'aire de travail/la table. Verrouiller l'interrupteur en position d'« arrêt » pour prévenir toute utilisation non autorisée. Un tiers pourrait accidentellement faire démarrer la machine et se blesser.
- Ne pas tenter de couper des morceaux de bois dont la surface n'est pas lisse, à moins d'utiliser un support adéquat. Ce type de pièce pourrait causer le grippage de la lame en cours de coupe. Une lame qui se casse pose des risques de dommages corporels.
- Maintenir le matériau fermement contre la table et l'amener vers les dents de lame à vitesse modérée. Une perte de contrôle de la pièce à travailler pourrait occasionner des dommages corporels.
- Arrêter le moteur si le matériau venait à se coincer dans la lame en cours de coupe. Utiliser la vitesse appropriée au travail en cours.
- Pour couper de longues courbes, effectuer d'abord des coupes de « dégagement ». Ne jamais effectuer de courbes trop serrées. Une lame qui se casse pose des risques de dommages corporels.
- Prendre des précautions supplémentaires pour découper des matériaux arrondis. Ce type de pièce a tendance à « rouler » et causer le grippage de la lame. Une lame qui se casse pose des risques de dommages corporels.
- Des informations complémentaires sur la sécurité et l'utilisation correcte des outils électriques (ex. : vidéo sécurité) sont à votre disposition auprès du Power Tool Institute (l'Institut des outils électriques), 1300 Sumner Avenue, Cleveland, OH 44115-2851 (www.powertoolinstitute.com). Des informations sont aussi à votre disposition auprès du National Safety Council (Conseil National de la Sécurité), 1121 Spring Lake Drive, Itasca, IL 60143-3201. Se reporter aux normes ANSI 01.1 de sécurité en matière de machines à bois de l'American National Standards Institute (Institut américain des normes nationales) et la réglementation OSHA 1910.213 du Ministère du travail américain.
- Porter **SYSTEMATIQUEMENT** des lunettes de protection. Les lunettes courantes NE sont PAS des lunettes de protection. Utiliser aussi un masque antipoussières si la découpe doit en produire beaucoup. **PORTER SYSTEMATIQUEMENT UN ÉQUIPEMENT DE SÉCURITÉ HOMOLOGUÉ :**
 - Protection oculaire ANSI Z87.1 (CAN/CSA Z94.3 ;
 - Protection auditive ANSI S12.6 (S3.19) ;
 - Protection des voies respiratoires NIOSH/OSHA/MSHA.
- Les scies, meules, ponceuses, perceuses ou autres outils de construction peuvent produire des poussières contenant des produits chimiques reconnus par l'État californien pour causer cancers, malformations congénitales ou être nocifs au système reproducteur. Parmi ces produits chimiques, on retrouve :
 - Le plomb dans les peintures à base de plomb ;
 - La silice cristallisée dans les briques et le ciment ou autres articles de maçonnerie ; et
 - L'arsenic et le chrome dans le bois ayant subi un traitement chimique.
- Le risque associé à de telles expositions varie selon la fréquence à laquelle on effectue ces travaux. Pour réduire toute exposition à ces produits : travailler dans un endroit bien aéré, en utilisant du matériel de sécurité homologué tel un masque antipoussières spécialement conçu pour filtrer les particules microscopiques.
- Limiter tout contact prolongé avec les poussières provenant du ponçage, sciage, meulage, perçage ou toute autre activité de construction. Porter des vêtements de protection et nettoyer à l'eau savonneuse les parties du corps exposées. Le fait de laisser la poussière pénétrer dans la bouche, les yeux ou la peau peut avoir comme conséquence l'absorption de produits chimiques dangereux.
- Cet outil peut produire et/ou répandre de la poussière susceptible de causer des dommages sérieux et permanents au système respiratoire. Utiliser systématiquement un appareil respiratoire antipoussières homologué par le NIOSH ou l'OSHA. Diriger les particules dans le sens opposé au visage et au corps.
- Pendant l'utilisation, porter systématiquement une protection auditive individuelle adéquate homologuée ANSI S12.6 (S3.19). Sous certaines conditions et suivant la longueur d'utilisation, le bruit émanant de ce produit pourrait contribuer à une perte de l'acuité auditive.

CONSERVER CES DIRECTIVES

Les consulter souvent et les utiliser pour donner des directives aux autres.

RACCORDEMENTS ÉLECTRIQUES

Un circuit électrique séparé doit être utilisé pour les machines. Ce circuit doit utiliser un câble de calibre 12 au minimum et doit être protégé par un fusible temporisé. **REMARQUE** : les fusibles temporisés devraient avoir l'inscription « D » au Canada et « T » aux É.-U. Si on utilise un cordon prolongateur, ce cordon doit être à trois fils, avoir une fiche à trois broches et une prise de courant à trois cavités, mise à la terre qui correspond à la fiche de la machine. Avant debrancher la machine, s'assurer que l'interrupteur (les interrupteurs) se trouve(nt) en position « OFF » (ARRÊT) et que le courant électrique présente les mêmes caractéristiques que celles qui sont inscrites sur la machine. Toutes les connexions électriques doivent établir un bon contact. Le fonctionnement sur une basse tension endommagera la machine.

▲ DANGER: **RISQUES DE CHOCS ÉLECTRIQUES.** Ne pas exposer la machine à la pluie, et ne pas l'utiliser dans des endroits humides.

SPÉCIFICATIONS DU MOTEUR

Cette machine est câblée pour un fonctionnement sur un courant alternatif de 120 volts 60 Hz. Avant de brancher la machine, s'assurer que l'interrupteur se trouve à la position « OFF » (ARRÊT).

INSTRUCTIONS DE MISE À LA TERRE

▲ DANGER: **RISQUES DE CHOCS ÉLECTRIQUES.** Cette machine doit être mise à la terre pendant son emploi, afin de protéger l'utilisateur des décharges électriques

1. Toutes les machines avec cordon mis à la terre:

Dans l'éventualité d'un mauvais fonctionnement ou d'une panne, la mise à la terre fournit un trajet de moindre résistance permettant de réduire le risque de décharge électrique. Cette machine est dotée d'un cordon électrique possédant un conducteur de mise à la terre de l'équipement ainsi que d'une fiche mise à la terre. La fiche doit être branchée dans une prise de courant correspondante, installée de façon adéquate et mise à la terre conformément à tous les codes et règlements locaux.

Ne pas modifier la fiche fournie - si elle ne s'adapte pas à la prise de courant, il faut faire installer une prise de courant convenable par un électricien compétent.

Un mauvais raccordement du conducteur de mise à la terre de l'équipement peut entraîner un risque de décharge électrique. Le conducteur possédant un isolant avec surface extérieure de couleur verte, avec ou sans rayures jaunes, est le conducteur de mise à la terre de l'équipement. Si une réparation ou un remplacement du cordon électrique s'avère nécessaire, ne pas brancher le conducteur de mise à la terre de l'équipement à une borne sous tension.

Consulter un électricien compétent ou le personnel de service après-vente si on ne comprend pas entièrement les instructions de mise à la terre, ou si l'on doute que la machine soit correctement mise à la terre.

Utiliser seulement des cordons prolongateurs à trois fils dotés d'une fiche mise à la terre, à trois broches, et de prises à trois cavités convenant à la fiche de la machine, comme l'illustre la figure A.

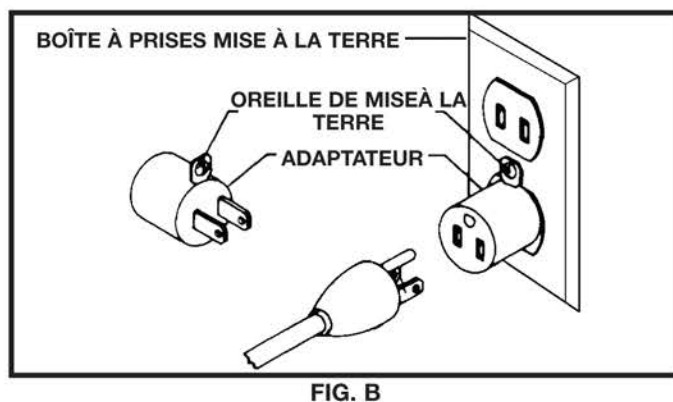
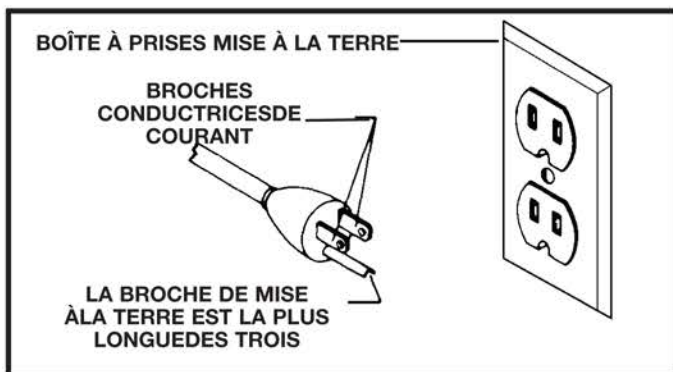
Réparer ou remplacer sans délai tout cordon endommagé ou usé.

2. Machines avec cordon mis à la terre prévues pour une utilisation sur une alimentation nominale inférieure à 150 volts:

Si cette machine est prévue pour être utilisée sur un circuit qui comporte une prise semblable à celle illustrée à la figure A, la machine devra comporter une fiche mise à la terre semblable à celle illustrée à la figure A. Un adaptateur temporaire semblable à celui illustré à la figure B, peut être utilisé pour raccorder cette fiche à une prise à deux cavités comme celle illustrée à la figure B, si une prise correctement mise à la terre n'est pas disponible. L'adaptateur temporaire ne doit être utilisé que jusqu'au moment où une prise correctement mise à la terre est installée par un électricien compétent. L'oreiller rigide ou autre dispositif semblable de couleur verte, sur le dessus de l'adaptateur, doit être connecté sur une mise à la terre permanente comme, par exemple une boîte à prises correctement mise à la terre. Quand un adaptateur est utilisé, celui-ci doit être retenu en place par une vis en métal.

REMARQUE: Au Canada, le Code canadien de l'électricité ne permet pas l'emploi d'un adaptateur temporaire.

▲ DANGER: **RISQUES DE CHOCS ÉLECTRIQUES.** Dans tous les cas, s'assurer que la prise en question est bien mise à la terre. Dans le doute, demander à un électricien compétent de vérifier la prise.



CORDON DE RALLONGE

⚠ AVERTISSEMENT : Employez les cordes appropriées de prolongation. S'assurent votre corde de prolongation est en bon état. En utilisant une corde de prolongation, soyez sûr d'employer un assez lourd pour porter le courant de la machine. Une corde trop petite causera une baisse dans la tension secteur, ayant pour résultat la perte de puissance et de surchauffe. Fig. C, expositions la mesure correcte à employer selon la longueur de corde. En cas de doute, utilisez la prochaine mesure plus lourde. Plus le nombre de mesure est petit, plus la corde est lourde.

MESUR MINIMUM DE CORDE D'EXTENSION			
TAILLES RECOMMANDÉES POUR L'USAGE AVEC STATIONNAIRES ÉLECTRIQUES LES OUTILS			
Estimation pere	Volts	Longueur Totale De Corde En Pieds	Mesure De Corde D'Am D'Extension
0-6	120	up to 25	18 AWG
0-6	120	25-50	16 AWG
0-6	120	50-100	16 AWG
0-6	120	100-150	14 AWG
6-10	120	up to 25	18 AWG
6-10	120	25-50	16 AWG
6-10	120	50-100	14 AWG
6-10	120	100-150	12 AWG
10-12	120	up to 25	16 AWG
10-12	120	25-50	16 AWG
10-12	120	50-100	14 AWG
10-12	120	100-150	12 AWG
12-16	120	up to 25	14 AWG
12-16	120	25-50	12 AWG
12-16	120	50 PI PLUS GRANDS QUE NON RECOMMANDES	

Fig. C

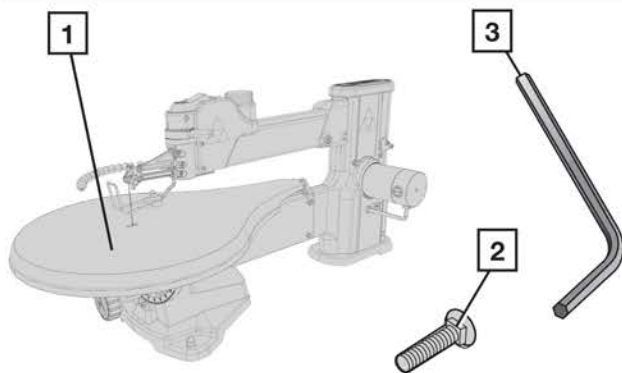
DESCRIPTION FONCTIONNELLE

AVANT-PROPOS

Le modèle DELTA® 40-695 est une scie à découper à régulateur de vitesse, de 508 mm (20 po), équipée d'un moteur de 1,3 ampères pouvant aller à une vitesse de 400 à 1750 r/min. L'établi est équipé d'un matériel de fixation et de chanfreins à 45° à droite et à gauche.

REMARQUE : La image sur la couverture illustre le modèle de production actuel. Les autres illustrations de ce mode d'emploi ne sont présentes qu'à titre indicatif et il est possible que les étiquettes et accessoires actuels diffèrent des caractéristiques réelles de ce modèle. Ces illustrations ont uniquement pour but d'illustrer la technique.

CONTENUS DE BOITE



1. Scie à découper (emballée avec table et lame non montées)
2. Boulons de fixation de table (2)
3. Clé hexagonale

DÉSEMBALLAGE ET NETTOYAGE

Désemballer soigneusement la machine et toutes les pièces de ou des emballage(s) d'expédition. Retirer l'huile anticorrosion des surfaces non peintes à l'aide d'un chiffon doux humidifié avec de l'alcool, du diluant à peinture ou de l'alcool dénaturé.

⚠ AVERTISSEMENT : N'utiliser pas de solvants hautement volatils tel l'essence, le naphte, l'acétone ou du diluant à laque pour nettoyer.

Après nettoyage, couvrir les surfaces non peintes d'une cire à parquets d'usage domestique de bonne qualité.

ASSEMBLAGE

▲ AVERTISSEMENT : Pour réduire le risque de blessures corporelles graves, éteindre l'outil et le débrancher avant d'installer et de retirer tout accessoire, avant d'ajuster ou de modifier les réglages ou lors de réparations. Un démarrage accidentel peut provoquer des blessures.

ASSEMBLEZ LE TABLE ET LA LAME

ASSEMBLAGE LE TABLEAU

La scie est complètement assemblée à l'exception de la table et de la lame. Pour installer la table, il faut d'abord insérer la tige qui se trouve à l'arrière du bras dans le trou qui se trouve à l'arrière de la table (fig. 1). Pousser la table jusqu'à ce que sa surface arrière repose contre le bras et que la tige est complètement insérée dans la table (fig. 2).

Se servir de la clé hexagonale fournie dans l'emballage pour fixer sûrement la table à l'échelle de biseaux en serrant les boulons illustrés à la figure 3.

INSTALLATION DE LA LAME

▲ AVERTISSEMENT : Pour réduire le risque de blessures corporelles graves, éteindre l'outil et le débrancher avant d'installer et de retirer tout accessoire, avant d'ajuster ou de modifier les réglages ou lors de réparations. Un démarrage accidentel peut provoquer des blessures.

Les serre-lames avec vis à oreilles qui se trouvent sur les bras supérieur et inférieur de la scie à découper retiennent la lame en place (fig. 4).

Avant d'installer la lame, s'assurer que le levier de tension de la lame est complètement à droite, comme le montre la figure 7. Il faut ensuite desserrer, mais ne pas dévisser complètement, les vis à oreilles supérieure et inférieure (fig. 4). Passer la lame dans le trou de la table, en faisant pointer les dents de la lame vers l'avant de la scie.

NOTE : Les scies à découper coupent dans la course descendante, il est donc essentiel de faire pointer les dents de la lame vers l'avant et vers le bas.

Insérer la lame dans le serre-lame inférieur et bien serrer la vis à oreilles inférieure. (fig. 4) Ensuite, insérer le dessus de la lame dans le serre-lame supérieur et bien serrer la vis à oreilles supérieure. (fig. 4)

Bien régler la tension de la lame avant de se servir de la scie à découper. (Consulter **Levier De Tension De La Lame** du présent guide.)

Employez seulement 127 mm (5 po) raffinez les lames de rechange de scie de rouleau d'extrémité.

LEVIER DE TENSION DE LA LAME

Déplacer le levier de tension de la lame (fig. 5) vers la gauche afin d'augmenter la tension de la lame.

La tension appropriée dépend de la dimension de la lame. Les lames fines nécessitent plus de tension; les plus grosses, moins. Lorsque les lames cassent souvent, diminuer la tension de la lame.

Lorsqu'on connaît bien le fonctionnement de la scie à découper, il est plus facile de régler précisément la tension de la lame. Pratiquer sur des échantillons lorsque c'est possible.

Retirer la lame ou dégager la tension de la lame lorsqu'on ne se sert pas de la lame pendant de longues périodes.

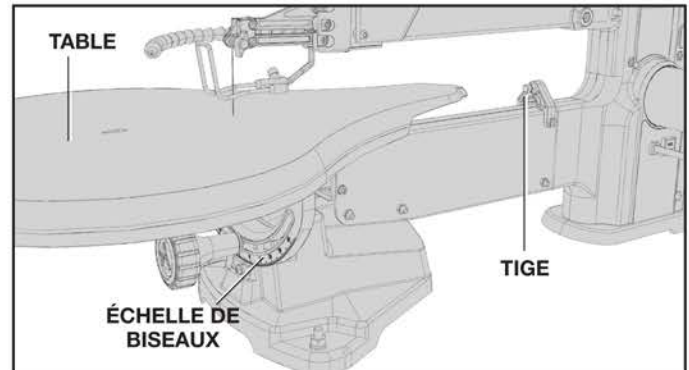


FIG. 1

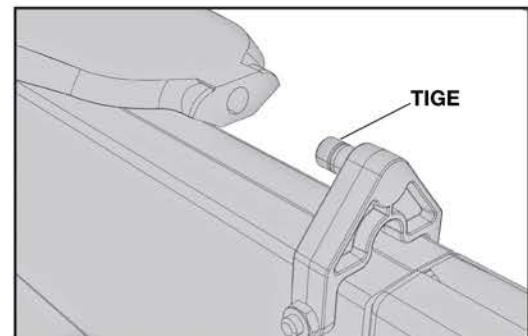


FIG. 2

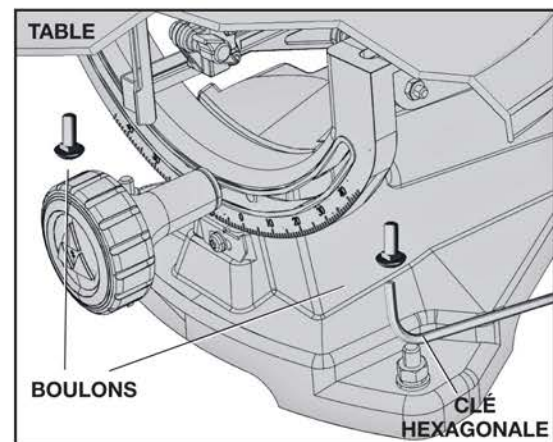


FIG. 3

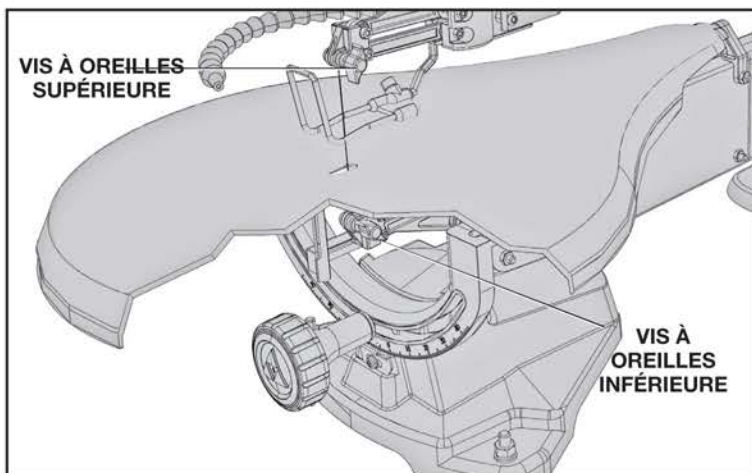


FIG. 4

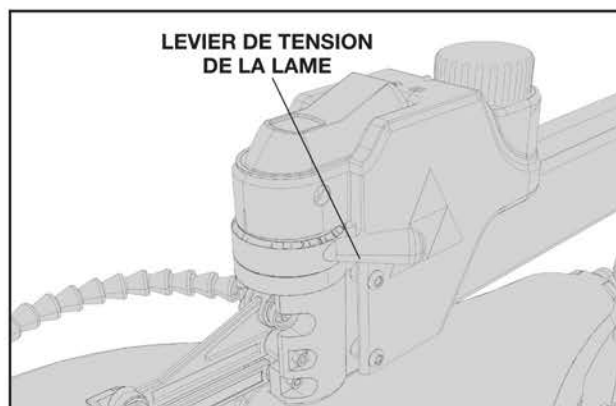


FIG. 5

FONCTIONNEMENT

L'OPERATION CONTROLE DE LE ET LES AJUSTEMENT

DÉMARRAGE ET ARRÊT DE LA SCIE À DÉCOUPER

▲ AVERTISSEMENT : S'assurer que l'interrupteur se trouve sur la position de « OFF » (ARRÊT) avant de brancher le cordon d'alimentation dans la prise. Ne pas toucher aux lames métalliques de la fiche lors du branchement ou débranchement du cordon.

Pour mettre la scie à découper en marche, appuyer sur l'avant de l'interrupteur (A) fig. 6. La scie se verrouille automatiquement en position de marche. Pour arrêter l'outil, appuyer sur l'arrière de l'interrupteur (A). L'interrupteur comporte un trou (B) afin d'y insérer un cadenas pour verrouiller la scie en position d'arrêt (fig. 6).

VERROUILLER L'INTERRUPTEUR EN POSITION D'ARRÊT

IMPORTANT : Lorsque la machine n'est pas utilisée, l'interrupteur doit être verrouillé en position de « OFF » (ARRÊT). pour empêcher toute utilisation non autorisée en utilisant un cadenas avec une boucle de 4,76 mm (3/16 po) dispositif d'accrochage de diamètre par du trou (B) fig. 6.

▲ AVERTISSEMENT : En cas de panne d'électricité (telle un disjoncteur désarmé ou un fusible grillé), toujours déplacer l'interrupteur en position de « OFF » (ARRÊT) jusqu'à ce que l'alimentation soit rétablie.

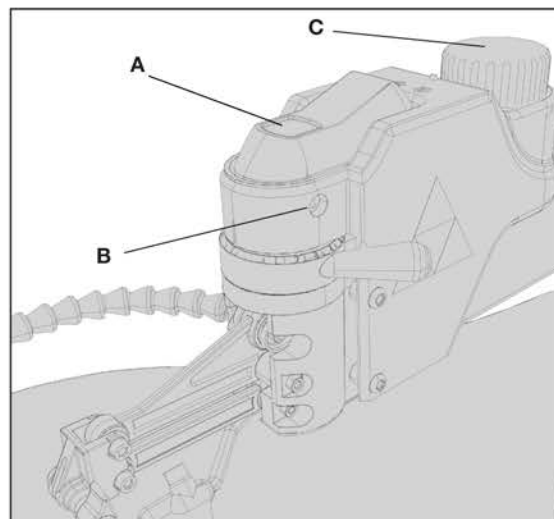


FIG. 6

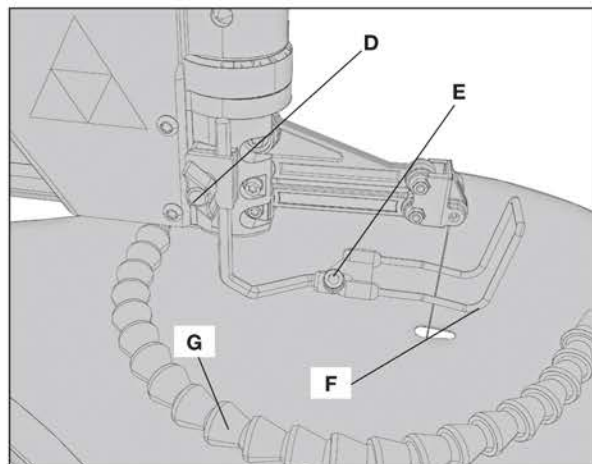


FIG. 7

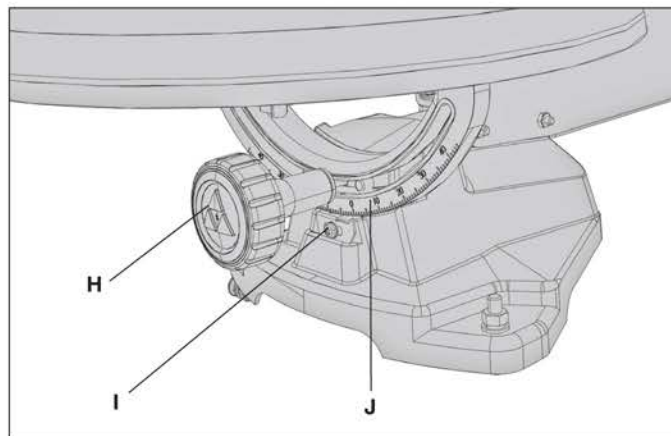


FIG. 8

UTILISATION DE LA MACHINE

DISPOSITIF DE RETENUE DU MATÉRIAU

Le dispositif de retenue du matériau (F) fig. 7 devrait toucher la surface de la pièce à ouvrir. Pour régler le dispositif de retenue, desserrer la vis à oreilles D (fig. 7) et l'abaisser ou la soulever.

Le dispositif de retenue doit être incliné lorsque la table l'est. Pour incliner le dispositif de retenue, desserrer la vis à six pans (E) illustrée à la figure 7 et incliner le dispositif de retenue jusqu'à ce qu'il soit parallèle à la table. Resserrer le dispositif de retenue avant la coupe.

NOTE : Lors de la coupe, s'assurer que le dispositif de retenue ne touche pas au bras inférieur de la scie à découper. Celle-ci accepte une épaisseur maximale de 50.8 mm (2 po). Ne pas découper un matériau ayant plus de 50.8 mm (2 po) d'épaisseur. NE JAMAIS retirer le dispositif de retenue du matériau puisqu'il sert également de barrière entre les doigts et la lame.

BOYAU D'AIR

La scie à découper comporte un boyau d'air réglable (G) fig. 9 permettant d'éliminer les poussières et les débris de la surface de travail. Bien placer le boyau d'air; il devrait souffler la poussière dans une direction opposée à l'utilisateur.

RÉGULATEUR DE VITESSE

La scie à découper est munie d'un régulateur de vitesse (de 400 à 1 750 courses à la minute). Pour actionner le mécanisme, faire tourner le régulateur de vitesse (C) fig. 6 lorsque la scie fonctionne.

Pour augmenter la vitesse, faire tourner le régulateur dans le sens horaire. Les chiffres apparaissant sur le régulateur de vitesse représentent des gammes de vitesses. Le chiffre 1 correspond à la vitesse minimale; 8, à la vitesse maximale.

Il est conseillé d'utiliser les basses vitesses pour découper des métaux, des plastiques, des feuillus et des matériaux très minces.

COUPE

Retenir le matériau fermement contre la table. Toujours alimenter le matériau vers la lame. Alimenter la pièce à ouvrir assez rapidement pour permettre à la lame de découper mais ne pas forcer le matériau dans la lame trop vite.

COUPE EN BISEAU

La table de la scie à découper permet d'effectuer des coupes en biseau à 45° à gauche et à droite. Il y a une détente à 0°. Pour incliner la table de la scie à découper, desserrer le bouton de verrouillage des biseaux (H) fig. 8, et incliner la table

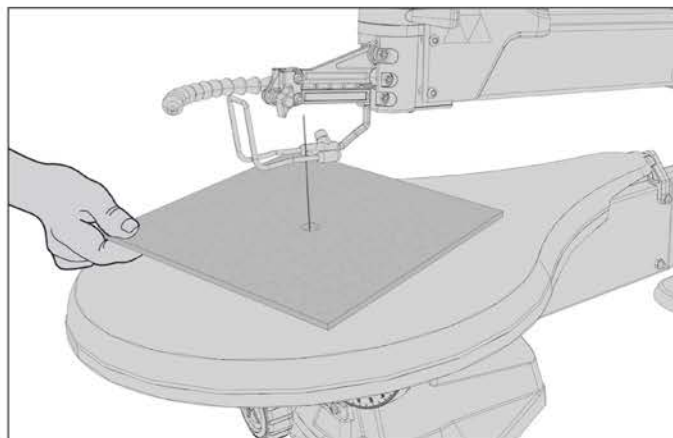


FIG. 9

à l'angle voulu (J) indiqué par l'indicateur de biseau (I).

REMARQUE : avant d'incliner la table pour effectuer des coupes en biseau à 45°, vérifier l'espacement autour de la vis à oreilles inférieure. Pour faciliter une coupe précise à 45°, il sera peut être nécessaire de déplacer la vis à oreilles et la vis de pression. Du côté de la vis de pression, il existe un espacement suffisant.

DÉCOUPAGE

COUPES INTÉRIEURES

La scie à découper convient parfaitement pour faire des coupes intérieures pour des travaux de détail. Voici comment faire une coupe intérieure.

1. Percer un trou de guidage dans la pièce à ouvrir.
2. S'assurer que le levier de tension de la lame est complètement à droite.
3. Desserrer la vis à oreilles du serre-lame supérieur.
4. Laisser la lame retenue seulement par le serre-lame inférieur, soulever le bras supérieur de la scie à découper, comme le montre la figure 9. Passer la lame dans le trou de guidage de la pièce à ouvrir et réinstaller la lame en resserrant la vis à oreilles supérieure.
5. Régler de nouveau la tension de la lame et commencer la coupe intérieure.

Comme solution de rechange, on peut desserrer le serre-lame inférieur à l'étape 3 précédente et passer la lame à travers le dessus de la pièce à ouvrir.

NOTE : Ne pas soulever la scie en saisissant le bras supérieur, au risque de l'endommager.

DEPANNAGE

Pour l'assistance avec votre outil, visiter notre site web à www.DeltaMachinery.com pour une liste de centres de maintenance ou appeler la ligne d'aide de DELTA® Power Equipment Corporation à 1-800-223-7278.

ENTRETIEN

⚠ AVERTISSEMENT : Pour réduire le risque de blessures corporelles graves, éteindre l'outil et le débrancher avant d'installer et de retirer tout accessoire, avant d'ajuster ou de modifier les réglages ou lors de réparations. Un démarrage accidentel peut provoquer des blessures.

GARDER LA MACHINE PROPRE

Dégager régulièrement toutes les conduites d'air avec de l'air comprimé sec. Toutes les pièces en plastique doivent être nettoyées à l'aide d'un chiffon doux humide. NE JAMAIS utiliser de solvants pour nettoyer les pièces en plastique. Les solvants peuvent dissoudre ou endommager le matériel.

⚠ AVERTISSEMENT : Porter des protections oculaire et auditive homologuées et utiliser un appareil respiratoire lors de l'utilisation d'air comprimé.

DÉMARRAGE IMPOSSIBLE

Si la machine ne démarre pas, s'assurer que les lames de la fiche du cordon d'alimentation sont bien enfoncées dans la prise de courant. Vérifier également que les fusibles ne sont pas grillés ou que le disjoncteur ne s'est pas déclenché.

LUBRIFICATION ET PROTECTION CONTRE LA ROUILLE

Appliquer chaque semaine une cire à parquets d'usage domestique sur la table de la machine, sur la rallonge de table ou toute autre surface de travail. Ou utiliser un produit protecteur commercial conçu à cet effet. Suivre les directives du fabricant pour l'utilisation et la sécurité.

Pour enlever la rouille des tables en fonte, le matériel suivant est nécessaire : un tampon débourbeur de taille moyenne, du lubrifiant en aérosol et un contenant de produit dégraissant. Appliquer le lubrifiant en aérosol et polir la surface de la table avec le tampon débourbeur. Dégraisser la table, puis appliquer le produit protecteur selon les indications ci-dessus.

LIMITEUR DE SURCHARGE

La scie à découper est dotée d'un fusible de protection contre les surcharges de 3 A. En cas de surcharge et d'arrêt de la scie à découper, mettre la scie à découper hors tension et vérifier si le fusible a sauté en retirant le couvercle du fusible (fig. 10). Il faut utiliser un fusible mod. n° 3AG, à action rapide, de 31,7 mm (1 1/4 po) de longueur et de 6,3 mm (1/4 po) de diamètre, avec la scie à découper.

BALAIS

Inspecter régulièrement les balais de carbone en débranchant d'abord la scie, en retirant le couvercle d'inspection des balais (fig. 10) et en sortant l'assemblage balais. S'assurer que les balais sont propres et qu'ils glissent bien dans leurs guides. Toujours remplacer les balais usés par des balais placés dans le même sens dans le porte-balais. Lorsque le balai est usé jusqu'à 10 mm (3/8 po), il faut le remplacer. N'utilisez que des balais identiques DELTA. Des modules de balais sont disponibles dans les centres de réparation DELTA. Il faut laisser l'outil fonctionner à vide (sans charge) pendant dix minutes avant de l'utiliser afin de permettre aux nouveaux balais de s'installer.

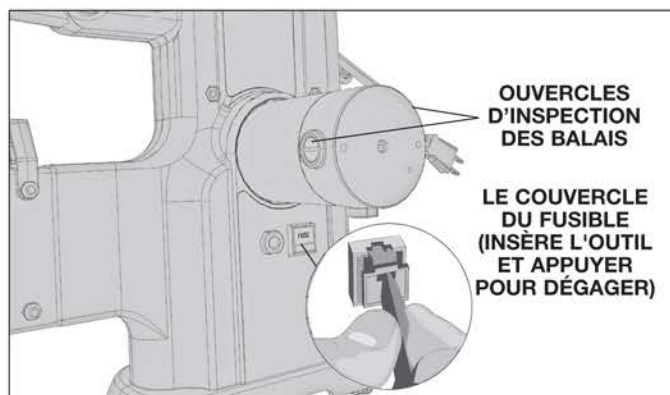


FIG. 10

TABLE

S'assurer que la table est toujours propre et libre de toute tache d'huile, de graisse et de goudron. Traiter la table avec de la cire en pâte afin d'en conserver le fini satiné.

SERVICE

PIÈCES DE RECHANGE

Utiliser seulement des pièces de rechange identiques. Pour obtenir une liste des pièces de rechange ou pour en commander, consulter notre site Web au www.DeltaMachinery.com/service. Il est aussi possible de commander des pièces auprès d'une succursale d'usine ou un centre de réparation sous garantie autorisé ou en communiquant avec le service à la clientèle au 1-800-223-7278 pour recevoir un soutien personnalisé de l'un de nos représentants bien formés.

REPLACEMENT GRATUIT DE L'ÉTIQUETTE

Si vos étiquettes d'avertissement deviennent illisibles ou sont manquantes, composez le 1-800-223-7278 pour obtenir une étiquette de remplacement gratuite.

⚠ WARNING TO REDUCE THE RISK OF INJURY, USER MUST READ INSTRUCTION MANUAL BEFORE OPERATING SCROLL SAW. ALWAYS USE PROPER EYE AND RESPIRATORY PROTECTION. DO NOT WEAR GLOVES, NECKTIES, JEWELRY, OR LOOSE CLOTHING. BOTH GUARDS SHOULD BE PROPERLY PLACED AND USED AT ALL TIMES. HOLD WORK PIECE FIRMLY AGAINST TABLE. KEEP HANDS AND FINGERS AWAY FROM BLADE. DO NOT REMOVE JAMMED OR SCRAP PIECES UNTIL THE BLADE HAS STOPPED WITH POWER OFF. DISCONNECT MACHINE FROM POWER SOURCE BEFORE MAKING REPAIRS OR ADJUSTMENTS. DO NOT OPERATE WHILE UNDER THE INFLUENCE OF DRUGS, ALCOHOL, OR MEDICATION. SOME WOOD CONTAINS PRESERVATIVES SUCH AS COPPER CHROMIUM ARSENATE (CCA) WHICH CAN BE TOXIC. WHEN SAWING THESE MATERIALS EXTRA CARE SHOULD BE TAKEN TO AVOID INHALATION AND MINIMIZE SKIN CONTACT.

⚠ ADVERTENCIA PARA REDUCIR EL RIESGO DE LESIONES USUARIO DEBE LEER EL MANUAL DE INSTRUCCIONES ANTES DE OPERAR LA SIERRA CALADORA. SIEMPRE USAR PROTECCIÓN ADECUADA PARA LOS OJOS Y VÍAS RESPIRATORIAS. NO USAR GUANTES, CORBATAS, JOYAS NI ROPA HOLGADA. AMBOS PROTECTORES DEBEN COLGARSE CORRECTAMENTE Y UTILIZARSE EN TODO MOMENTO SOSTENIENDO FIRMEMENTE LA PIEZA DE TRABAJO CONTRA LA MESA. MANTEN LAS MANOS Y LOS DEDOS ALEJADOS DE LA HOJA. NO RETIRE LAS PIEZAS ATASCADAS O DE DESCARTE MIENTRAS LA HOJA NO SE HAYA DETENIDO CON LA ALIMENTACIÓN APAGADA. DESCONECTE LA MÁQUINA DE LA FUENTE DE ALIMENTACIÓN ANTES DE REALIZAR REPARACIONES O AJUSTES. NO OPERAR BAJO LA INFLUENCIA DE DROGAS, ALCOHOL O MEDICAMENTO. ALGUNAS MADERAS CONTIENEN CONSERVANTES, COMO EL ARSENATO DE COBRE CROMADO (CCA, POR SUS SIGLAS EN INGLÉS), QUE PUEDEN SER TÓXICOS. AL ASERRAR ESTOS MATERIALES, DEBE TENERSE ESPECIAL CUIDADO PARA EVITAR LA INHALACIÓN Y MINIMIZAR EL CONTACTO CON LA PIEL.

⚠ AVERTISSEMENT L'UTILISATEUR DOIT LIRE LE MODE D'EMPLOI AVANT D'UTILISER LA SCIE À CHANTOURNER AFIN DE RÉDUIRE LE RISQUE DE BLESSURE. TOUJOURS UTILISER UNE PROTECTION OCULAIRE ET RESPIRATOIRE ADEQUATE. NE PAS PORTER DE GANTS, CORBATES, BIJOUX OU VÊTEMENTS AMPLES. LES DEUX PARE-MAINS DEVRAIENT ÊTRE BIEN PLACÉS ET UTILISÉS EN TOUT TEMPS. TENIR FERMEMENT LA PIÈCE CONTRE LA TABLE. ÉLOIGNER LES MAINS ET LES DOIGTS DE LA LAME. NE PAS RETIRER LES PIÈCES COINCÉES OU LES CHITES AVANT L'ARRÊT COMPLET DE LA LAME ET DE L'OUTIL. DÉBRANCHER L'APPAREIL DE LA SOURCE D'ALIMENTATION AVANT D'EFFECTUER DES RÉPARATIONS OU DES RÉGLAGES. NE PAS UTILISER L'APPAREIL AVEC DES FACILÉS AFFAIBLIS PAR LA DROGUE, L'ALCOHOL OU UN MÉDICAMENT. CERTAINES PIÈCES DE BOIS RENFERMENT DES AGENTS DE PRÉSERVATION QUI PEUVENT ÊTRE TOXIQUES, NOTAMMENT L'ARSENATE DE CUIVRE ET DE CHROME (CCA). AU MOMENT DE SCIER CES MATÉRIAUX, FAIRE PREUVE DE GRANDE PRUDENCE POUR ÉVITER D'INHALER ET MINIMISER LE CONTACT CUTANÉ.

CAUTION
DO NOT LIFT SAW BY UPPER ARM, DAMAGE WILL OCCUR.

ATENCIÓN
NO LEVANTE LA SIERRA SUIJETÁNDOLA DEL BRAZO SUPERIOR O SE DAÑARÁ.

ATTENTION
NE PAS LEVER LA SCIE PAR LE BRAS SUPÉRIEUR, CAR CELA L'ENDOMMAGERAIT.

⚠ WARNING
TO REDUCE THE RISK OF ELECTRIC SHOCK DO NOT CONNECT TO AN UNGROUNDED SUPPLY.

⚠ ADVERTENCIA
PARA REDUCIR EL RIESGO DE DESCARGA ELÉCTRICA NO CONECTAR UN SUMINISTRO SIN CONEXIÓN TIERRA.

⚠ WARNING
TO REDUCE THE RISK OF ELECTRIC SHOCK DO NOT CONNECT TO AN UNGROUNDED SUPPLY.

⚠ AVERTISSEMENT
POUR RÉDUIRE LE RISQUE DE CHOCS ÉLECTRIQUES NE PAS BRANCHER UNE SOURCE D'ALIMENTATION NON MISE À LA TERRE.

DELTA

▲ WARNING ▲ ADVERTENCIA ▲ AVERTISSEMENT

HOT SURFACE. KEEP AWAY FROM CURTAINS AND OTHER COMBUSTIBLE MATERIALS TO REDUCE THE RISK OF FIRE/LISE. MAX 25WATT 120VOLT. TYPE S BULB DO NOT USE STANDARD HOUSEHOLD BULB

SUPERFICIE CALIENTE. MANTÉNGALEJADA DE CORTINAS Y OTROS MATERIALES COMBUSTIBLES PARA REDUCIR EL RIESGO DE INCENDIO/UTILICE UNABOMBILLATIPO S DE 25 VARIOS MAXX 120VOLTOS NO UTILICE UNA BOMBILLA ESTÁNDAR DE USO DOMÉSTICO DOMESTIQUE STANDARD

SURFACE CHAUDE. GARDER L'ÉCART DES RIDEAUX ET D'AUTRES MATIÈRES COMBUSTIBLES POUR RÉDUIRE LE RISQUE D'INCENDI/UTILISER UNE AMPOULE DRYPPES, DE 25W MAX. ET DE 120V. NE PAS UTILISER D'AMPOULE DOMESTIQUE STANDARD

DELTA

MOD. 40-691
Scr oll Saw Stand
Soporte de Sierra Caladora
Support de Scie à découper

DE LTA Machinery - Anderson, SC 29626
Made in China / Hecho en China / Fabriqué en Chine

▲ WARNING ▲ ADVERTENCIA ▲ AVERTISSEMENT

TO REDUCE THE RISK OF INJURY, USER MUST READ TOOL INSTRUCTION MANUAL BEFORE OPERATING. PRODUCT, FOR USE WITH 40-690 SCROLL SAW. FASTEN TOOL TO STAND BEFORE USE. TIGHTEN ALL FASTENERS COMPLETELY BEFORE USE. MAXIMUM LOAD - 150 LBS (68 KG). DO NOT CLIMB, SIT OR STAND ON SAW STAND. DO NOT USE STAND ON UNEVEN OR UNSTABLE SURFACE.

PARA REDUCIR EL RIESGO DE LESIONES, EL USUARIO DEBE LEER EL MANUAL DE INSTRUCCIONES DEL REPRODUCTO. OPERAR EL PRODUCTO, PARA USO CON LA SIERRA CALADORA 40-690. AJUSTE LA HERRAMIENTA A LA BASE ANTES DEL USO. AJUSTE COMPLETAMENTE TODOS LOS SUJETADORES ANTES DEL USO. CARGA MÁXIMA: 68 KG (150 LIBRAS). NO SE SUBA, SIENTE NI PARE SOBRE LA BASE DE LA SIERRA. NO UTILICE EL ESTÁNDAR DE USO DOMÉSTICO. DISPARAJA O INESTABLE.

AFIN DE RÉDUIRE LE RISQUE DE BLESSURES, L'UTILISATEUR DOIT LIRE LE MANUEL D'EMPLOI AVANT D'UTILISER LE PRODUIT. UTILISER AVEC LA SCIE À DÉCOUPER 40-690. BIEN SERRER TOUTES LES ATTACHES AVANT D'UTILISER L'OUTIL. CHARGE MAXIMALE: 68 KG (150 LB). NE PAS GRIMPER, S'ASSOIR OU SE TENIR DEBOUT SUR LE SOCLE DE LA SCIE. NE PAS UTILISER LE SOCLE SUR UNE SURFACE INÉGALE OU INSTABLE.

DELTA

MOD. 40-695
20" (508 mm) Scroll Saw
Sierra caladora de 508 mm (20 pulg)
Scie à chantourner de 508 mm (20 po)

DE LTA Machinery - Anderson, SC 29626
Made in Taiwan / Fabricado en Taiwán / Fabriqué à Taiwan

▲ WARNING TO REDUCE THE RISK OF INJURY, READ INSTRUCTION MANUAL BEFORE OPERATING SAW. ALWAYS USE PROPER EYE AND RESPIRATORY PROTECTION. WHEN SERVICING, USE ONLY IDENTICAL REPLACEMENT PARTS. DO NOT EXPOSE TO RAIN OR USE IN DAMP LOCATIONS.

▲ ADVERTENCIA PARA REDUCIR EL RIESGO DE LESIONES, LEA EL MANUAL DE INSTRUCCIONES ANTES DE OPERAR LA SIERRA. SIEMPRE UTILICE PROTECCIÓN ADECUADA PARA LOS OJOS Y LAS VÍAS RESPIRATORIAS. AL REALIZAR EL MANTENIMIENTO, SÓLO UTILICE PIEZAS DE REPUESTO IDENTICAS. NO EXPONER A LA LLUVIA NI UTILIZAR EN LUGARES HÚMEDOS.

▲ AVERTISSEMENT POUR RÉDUIRE LE RISQUE DE BLESSURES, LIRE LE MODE D'EMPLOI AVANT UTILISATION DE LA SCIE. TOUJOURS UTILISER UNE PROTECTION OCULAIRE ET RESPIRATOIRE ADEQUATE. POUR LA RÉPARATION, UTILISER UNIQUEMENT DES PIÈCES DE RECHANGE IDENTIQUES. PROTÉGER DE LA PLUIE ET NE PAS

ENTRETIEN ET RÉPARATION

Tous les outils de qualité finissent par demander un entretien ou un changement de pièce. Pour de plus amples renseignements à propos de DELTA® Power Equipment Corporation, ses succursales d'usine ou pour trouver un centre de réparation sous garantie autorisé, consulter notre site Web au www.DeltaMachinery.com ou communiquer avec notre service à la clientèle au 1-800-223-7278. Toutes les réparations effectuées dans nos centres de réparation sont entièrement garanties contre les défauts de matériaux et de main-d'œuvre. Nous ne pouvons garantir les réparations effectuées en partie ou totalement par d'autres.

toute heure du jour ou de la nuit, il est également possible de trouver les réponses aux questions les plus courantes.

Pour de plus amples renseignements, écrire également à DELTA® Power Equipment Corporation, 2651 New Cut Rd, Spartanburg, SC 29303.É.-U.-à l'attention de: Technical Service Manager. S'assurer d'indiquer toutes les informations figurant sur la plaque signalétique de l'outil (numéro du modèle, type, numéro de série, code de date, etc.).

ACCESSOIRES

▲ AVERTISSEMENT : Depuis des accessoires autre que ceux offerts par • DELTA® n'ont pas été testés avec ce produit, utilisation de tels accessoires a pu être dangereux. Pour réduire tout risque de dommages corporels, seulement • DELTA® a recommandé des accessoires devrait être utilisé avec ce produit.

Une ligne complète des accessoires est fournie des centres commerciaux d'usine de par votre de • DELTA® fournisseur, de • DELTA®, et des stations service autorisées par. Veuillez visiter notre site Web www.DeltaMachinery.com pour un catalogue ou pour le nom de votre fournisseur plus proche.

GARANTIE

Pour enregistrer votre outil pour la garantie service la visite notre site Web à www.DeltaMachinery.com.

Garantie limitée de cinq ans

DELTA® réparera ou remplacera, à ses frais et à sa discrétion, toute nouvelle machine DELTA, pièce de rechange ou tout accessoire qui, dans des circonstances d'utilisation normale, s'est avéré défectueux en raison de défauts de matériau ou de fabrication, à condition que le client retourne le produit (transport payé d'avance) au centre de réparation de l'usine DELTA® ou à un centre de réparation autorisé accompagné d'une preuve d'achat et dans les cinq ans de la date d'achat du produit, et fournisse à DELTA® une opportunité raisonnable de vérifier le défaut présumé par une inspection. La période de garantie des produits DELTA® réusinés est de 180 jours. DELTA® ne peut être tenu pour responsable des défauts résultants de l'usure normale, de la mauvaise utilisation, de l'abus, de la réparation ou de la modification du produit, sauf en cas d'autorisation spécifique d'un centre de réparation ou d'un représentant DELTA® autorisé. En aucune circonstance DELTA® ne peut être tenu pour responsable des dommages accidentels ou indirects résultant d'un produit défectueux. Certains États ou provinces ne permettent pas l'exclusion ou la restriction de dommages accessoires ou indirects, auquel cas, les exclusions ou limitations ci-dessus pourraient ne pas être applicables. Cette garantie constitue la seule garantie de DELTA® et le recours exclusif des clients en ce qui concerne les produits défectueux ; toutes les autres garanties, expresses ou implicites, de qualité marchande, d'adéquation à un usage particulier, ou autre, sont expressément déclinées par DELTA. Pour obtenir de plus amples renseignements sur les pièces ou les réparations couvertes par la présente garantie, visiter le site www.DeltaMachinery.com ou composer le 1-800-223-7278. Cette garantie confère des droits légaux particuliers à l'acheteur, mais celui-ci pourrait aussi bénéficier d'autres droits variant d'un état ou d'une province à l'autre.

AMÉRIQUE LATINE : Cette garantie ne s'applique aux produits vendus en Amérique latine. Pour ceux-ci, veuillez consulter les informations relatives à la garantie spécifique présente dans l'emballage, appeler l'entreprise locale ou consulter le site Web pour les informations relatives à cette garantie.

INSTRUCCIONES DE SEGURIDAD IMPORTANTES

⚠ ADVERTENCIA: Lea a todas advertencias y las instrucciones operadoras antes de utilizar cualquier instrumento o el equipo. Cuando se usa instrumentos o equipo, las precauciones básicas de la seguridad siempre se deben seguir para reducir el riesgo de la herida personal. La operación impropia, la conservación o la modificación de instrumentos o equipo podrían tener como resultado el daño grave de la herida y la propiedad. Hay ciertas aplicaciones para que equipos con herramienta y el equipo se diseñe. Este producto NO debería ser modificado ni utilizado para aplicaciones para las cuales no fue diseñado.



Si usted tiene cualquier pregunta el pariente a su aplicación no utiliza el producto hasta que usted haya escrito DELTA® Power Equipment Corporation y nosotros lo hemos aconsejado. La forma en línea del contacto en www.DeltaMachinery.com o por correo Technical Service Manager, DELTA® Power Equipment Corporation, 2651 New Cut Road, Spartanburg, SC 29303.

Información con respecto a la operación segura y apropiada de este instrumento está disponible de las fuentes siguientes:

- Power Tool Institute, 1300 Sumner Avenue, Cleveland, OH 44115-2851 o en línea www.powertoolinstitute.org
- National Safety Council, 1121 Spring Lake Drive, Itasca, IL 60143-3201
- American National Standards Institute, 25 West 43rd Street, 4 floor, New York, NY 10036 www.ansi.org - ANSI 01.1 Safety Requirements for Woodworking Machines
- U.S. Department of Labor regulations www.osha.gov

GUARDE ESTAS INSTRUCCIONES!

PAUTAS DE SEGURIDAD/DEFINICIONES

Es importante para usted leer y entender este manual. La información que lo contiene relaciona a proteger SU SEGURIDAD y PREVENIR los PROBLEMAS. Los símbolos debajo de son utilizados para ayudarlo a reconocer esta información.

⚠ PELIGRO: indica una situación de peligro inminente que, si no se evita, provocará la muerte o lesiones graves.

⚠ ADVERTENCIA: indica una situación de peligro potencial que, si no se evita, podría provocar la muerte o lesiones graves.

⚠ ATENCIÓN: indica una situación de peligro potencial que, si no se evita, puede provocar lesiones leves o moderadas.

AVISO : se refiere a una práctica no relacionada a lesiones corporales que de no evitarse puede resultar en daños a la propiedad.

⚠ ADVERTENCIA: Algunos tipos de polvo, como aquellos generados por el lijado, serruchado, pulido y taladrado mecánico y otras actividades de construcción, contienen químicos que según el Estado de California se sabe causan cáncer, defectos de nacimiento y otros daños reproductivos. Algunos ejemplos de estos químicos son:

- Plomo proveniente de pinturas a base de plomo,
- de óxido silicio procedente de ladrillos, cemento y otros productos de mampostería, y
- arsenico y cromo provenientes de maderas tratadas con químicos (arseniato de cobre cromado-ACC).

El peligro derivado de la exposición a estos materiales varía en función de la frecuencia con que se realice este tipo de trabajo. Para reducir su exposición a estos químicos: trabaje en una zona bien ventilada y llevando equipos de seguridad aprobados, como mascarillas antipolvo especialmente diseñadas para filtrar partículas microscópicas.

NORMAS GENERALES DE SEGURIDAD

▲ ADVERTENCIA: Si no se siguen estas normas, el resultado podría ser lesiones graves.

- 1. Para su propia seguridad, lea el manual de instrucciones antes de utilizar la máquina.** Al aprender la aplicación, las limitaciones y los peligros específicos de la máquina, se minimizará enormemente la posibilidad de accidentes y lesiones.
- 2. Use protección de los ojos y de la audición. Use siempre anteojos de seguridad.** Los lentes de uso diario no son anteojos de seguridad. Use equipo de seguridad certificado. El equipo de protección de los ojos debe cumplir con las normas ANSI Z87.1. El equipo de protección de la audición debe cumplir con las normas ANSI S3.19.
- 3. Use indumentaria adecuada.** No use ropa holgada, guantes, corbatas, anillos, pulseras u otras joyas que podrían engancharse en las piezas móviles. Se recomienda usar calzado antideslizante. Use una cubierta protectora del pelo para sujetar el pelo largo.
- 4. No utilice la máquina en un entorno peligroso.** La utilización de herramientas mecánicas en lugares húmedos o mojados, o en la lluvia, puede causar descargas eléctricas o electrocución. Mantenga bien iluminada el área de trabajo para evitar tropezar o poner en peligro los brazos, las manos y los dedos.
- 5. No opere herramientas eléctricas cerca de líquidos inflamables o en atmósferas gaseosas o explosivas.** Los motores e interruptores de estas herramientas originan chispas que pueden encender los vapores.
- 6. Mantenga todas las herramientas y máquinas en condiciones óptimas.** Mantenga las herramientas afiladas y limpias para lograr el mejor y más seguro rendimiento. Siga las instrucciones de lubricación y cambio de accesorios. Las herramientas y las máquinas mal mantenidas pueden dañar más la herramienta o la máquina y/o causar lesiones.
- 7. Compruebe si hay piezas dañadas.** Antes de utilizar la máquina, compruebe si hay piezas dañadas. Compruebe la alineación de las piezas móviles, si las piezas móviles se atascan, si hay piezas rotas y toda otra situación que podría afectar su funcionamiento. Un protector o cualquier otra pieza que presente daños debe repararse o reemplazarse apropiadamente con DELTA® o la fábrica autorizó piezas de recambio. Las piezas dañadas pueden causar daños adicionales a la máquina y/o lesiones.
- 8. Mantenga limpia el área de trabajo.** Las áreas y los bancos desordenados invitan a que se produzcan accidentes.
- 9. Mantenga alejados a los niños y a los visitantes.** El taller es un entorno potencialmente peligroso. Los niños y los visitantes pueden sufrir lesiones.
- 10. Reduzca el riesgo de un arranque no intencionado.** Asegúrese de que el interruptor esté en la posición de "APAGADO" antes de enchufar el cable de alimentación. En caso de un apagón, mueva el interruptor a la posición de "APAGADO". Un arranque accidental podría causar lesiones.
- 11. Utilice los protectores.** Asegúrese de que todos los protectores estén colocados en su sitio, sujetos firmemente y funcionando correctamente para prevenir lesiones.
- 12. Quite las llaves de ajuste y de tuerca antes de arrancar la máquina.** Las herramientas, los pedazos de desecho y otros residuos pueden salir despedidos a alta velocidad, causando lesiones.
- 13. Utilice la máquina adecuada.** No fuerce una máquina o un aditamento a hacer un trabajo para el que no se diseñó. El resultado podría ser daños a la máquina y/o lesiones.
- 14. Utilice accesorios recomendados.** La utilización de accesorios y aditamentos no recomendados por DELTA® podría causar daños a la máquina o lesiones al usuario.
- 15. Utilice el cordón de extensión adecuado.** Asegúrese de que el cordón de extensión esté en buenas condiciones. Cuando utilice un cordón de extensión, asegúrese de utilizar un cordón que sea lo suficientemente pesado como para llevar la corriente que su producto tome. Un cordón de tamaño insuficiente causará una caída de la tensión de la línea, lo cual producirá una pérdida de potencia y recalentamiento. Consulte el cuadro de cordones de extensión para obtener el tamaño correcto dependiendo de la longitud del cordón y la capacidad nominal en amperios indicada en la placa de especificaciones. En caso de duda, utilice el próximo calibre más grueso. Cuanto más pequeño sea el número de calibre, más pesado será el cordón.
- 16. Sujete firmemente la pieza de trabajo.** Utilice abrazaderas o un tornillo para sostener el objeto cuando es práctico. La pérdida de control de un objeto puede causar lesión.
- 17. Haga avanzar la pieza de trabajo contra el sentido de rotación de la hoja, el cortador o la superficie abrasiva.** Si la hace avanzar desde el otro sentido, el resultado será que la pieza de trabajo salga despedida a alta velocidad.
- 18. No fuerce la pieza de trabajo sobre la máquina.** El resultado podría ser daños a la máquina y/o lesiones.
- 19. No intente alcanzar demasiado lejos.** Una pérdida del equilibrio puede hacerle caer en una máquina en funcionamiento, causándole lesiones.
- 20. No se suba nunca a la máquina.** Se podrían producir lesiones si la herramienta se inclina o si usted hace contacto accidentalmente con la herramienta de corte.
- 21. No deje nunca desatendida la máquina cuando esté en marcha. Apáguela.** No deje la máquina hasta que ésta se detenga por completo. Un niño o un visitante podría resultar lesionado.
- 22. Apague la máquina (OFF) y desconéctela de la fuente de alimentación antes de instalar o quitar los accesorios, cambiar las cuchillas, o ajustar o cambiar las configuraciones.** Cuando haga reparaciones, asegúrese de mover el interruptor a la posición de apagado (OFF). Un arranque accidental podría causar lesiones.
- 23. Haga su taller a prueba de niños con candados e interruptores maestros o quitando las llaves de arranque.** El arranque accidental de una máquina por un niño o un visitante podría causar lesiones.
- 24. Manténgase alerta, fíjese en lo que está haciendo y use el sentido común. No utilice la máquina cuando esté cansado o bajo la influencia de drogas, alcohol o medicamentos.** Un momento de distracción mientras se estén utilizando herramientas mecánicas podría causar lesiones.
- 25. ▲ ADVERTENCIA:** El uso de esta herramienta puede generar y dispersar polvo u otras partículas suspendidas en el aire, incluyendo polvo de madera, polvo de sílice cristalina y polvo de asbesto. Dirija las partículas de modo que se alejen de la cara y del cuerpo. Utilice siempre la herramienta en un área bien ventilada y proporcione un medio apropiado de remoción de polvo. Use un sistema de recolección de polvo en todos los lugares donde sea posible. La exposición al polvo puede causar lesiones respiratorias graves y permanentes u otras lesiones graves y permanentes, incluyendo silicosis (una enfermedad pulmonar grave), cáncer y muerte. Evite aspirar el polvo y evite el contacto prolongado con el polvo. Si se permite que el polvo entre en la boca o en los ojos, o que se deposite en la piel, se puede promover la absorción de material nocivo. Use siempre protección respiratoria aprobada por niosh/osha que se ajuste apropiadamente y sea adecuada para la exposición al polvo, y lávese las áreas expuestas con agua y jabón.

NORMAS ESPECÍFICAS ADICIONALES DE SEGURIDAD

▲ ADVERTENCIA: Si no se siguen estas normas, el resultado podría ser lesiones personales graves.

- No permita que la familiaridad (debida al uso frecuente de su sierra) lo distraiga de las siguientes reglas de seguridad. Recuerde siempre que basta un descuido por una fracción de segundo para causar una lesión grave.
- Si no está bien familiarizado con el funcionamiento de esta máquina, consulte con su supervisor, instructor u otra persona calificada. El conocimiento es sinónimo con la seguridad.
- No haga funcionar esta máquina hasta que no esté completamente ensamblada e instalada según las instrucciones. Si la máquina no es debidamente ensamblada, esta puede causar lesiones graves.
- Fije la sierra a la mesa de trabajo o a una base con abrazaderas o con accesorios de montaje. Fije la mesa de trabajo o la base al piso. La vibración puede hacer que la máquina se deslice, desplace o vuelque.
- Verifique que sus dedos no entren en contacto con los terminales del cable de alimentación al instalar o quitar el enchufe de la fuente de alimentación.
- Nunca arranque la máquina si la pieza de trabajo está contra la hoja. La pieza de trabajo podría ser arrojada y causar lesiones.
- Nunca arranque la máquina sin antes bloquear los mangos y verificar que la hoja tenga la tensión correcta. Verifique que el tamaño y tipo de hoja sean los correctos. Las operaciones anormales causan lesiones.
- No corte una pieza de trabajo que sea demasiado pequeña para ser debidamente sujeta. Si tiene las manos demasiado cerca a la hoja, un movimiento en falso puede causar lesiones.
- Mantenga los protectores en su sitio y en buenas condiciones de funcionamiento.
- El mecanismo para sujetar el material de trabajo debe ser utilizado de acuerdo a estas instrucciones y permanecer en posición durante el uso. También asegúrese de debidamente sujetar las piezas de trabajo más largas o anchas de lo común. Si pierde el control de la pieza de trabajo, puede sufrir lesiones.
- Nunca ponga la mano debajo de la mesa en medio de una operación ni haga ajustes mientras esté funcionando. Una hoja en movimiento debajo de la mesa podría causar lesiones.
- No use el brazo superior para levantar la herramienta.
- Evite poner las manos en posiciones irregulares en las que un desliz repentino podría causar que la mano se moviera en la dirección de la hoja de una sierra o herramienta de corte. No coloque los dedos o las manos en el camino de la hoja de la sierra.
- Cuando retire piezas de trabajo cortas o limpie alrededor de la mesa, asegúrese de que la sierra esté apagada y que la hoja se haya dejado de mover. Un desliz repentino podría hacer que su mano se encontrara con la hoja y resultar en una lesión.
- Nunca arranque la sierra sin antes despejar la mesa de todo (herramientas, astillas, etc.) con la excepción de la pieza de trabajo y los dispositivos de alimentación o sujeción necesarios para la operación planeada. Si se dejan desechos sobre la mesa, estos pueden ser arrojados a altas velocidades y causar lesiones. Una vez que termine de usarla, apague la máquina, desenchúfela de la fuente de alimentación y limpie la mesa o el área de trabajo. Bloquee el conmutador en "OFF" para evitar que alguien arranque la máquina sin su autorización. Alguien podría arrancarla accidentalmente y lesionarse gravemente.
- No intente cortar una pieza que no sea plana, a no ser que tenga el soporte adecuado. Este tipo de pieza de trabajo podría romper la hoja antes de completar el corte. Se pueden producir lesiones al romperse las hojas.
- Sujete el material firmemente contra la mesa y alimente la pieza en dirección de los dientes de la hoja a una velocidad moderada. Si pierde el control de la pieza de trabajo, puede sufrir lesiones.
- Apague el motor si no puede retirar el material de un corte incompleto. Utilice la velocidad apropiada para cada aplicación.
- Haga cortes parciales antes de cortar curvas largas. Nunca intente cortar una curva demasiado aguda. Se pueden producir lesiones al romperse las hojas.
- Tenga cuidado al cortar materiales redondos. Este tipo de pieza de trabajo tiende a "rodar" y puede hacer que la hoja se trabe. Se pueden producir lesiones al romperse las hojas.
- Podrá encontrar información adicional respecto al uso debido y seguro de herramientas eléctricas (en un video de seguridad) si contacta a Power Tool Institute, 1300 Sumner Avenue, Cleveland, OH 44115-2851 (www.powertoolinstitute.com). Además, puede solicitar información al Consejo Nacional de Seguridad (National Safety Council), 1121 Spring Lake Drive, Itasca, IL 60143-3201. Remítase a los Requisitos de seguridad para maquinaria de carpintería ANSI 01.1 del Instituto Americano de Normas Nacionales (American National Standards Institute) y a las regulaciones OSHA 1910.213 establecidas por el Ministerio de Trabajo de los EE.UU.
- Use SIEMPRE lentes de seguridad. Los anteojos de diario NO SON lentes de seguridad. Utilice además una máscara para la cara o guardapolvo si la operación de corte genera demasiado polvo. SIEMPRE LLEVE EQUIPO DE SEGURIDAD CERTIFICADO:
 - Protección ocular ANSI Z87.1 (CAN/CSA Z94.3),
 - Protección auditiva ANSI S12.6 (S3.19),
 - Protección respiratoria NIOSH/OSHA/MSHA.
- Algunas partículas de polvo generadas al lijar, serrar, esmerilar y taladrar con herramientas eléctricas, así como al realizar otras actividades de construcción, contienen químicos que el Estado de California sabe que pueden producir cáncer, defectos de nacimiento u otros daños reproductivos. Algunos ejemplos de estos químicos son:
 - plomo de algunas pinturas,
 - polvo de sílice proveniente de ladrillos y cemento y otros productos de albañilería, y
 - arsénico o cromo procedente de madera tratada químicamente.
- Su riesgo de exposición a estos químicos varía, dependiendo de la frecuencia con la cual realiza usted este tipo de trabajo. Para reducir su exposición a estos químicos: trabaje en un lugar con buena ventilación y trabaje con equipo de seguridad aprobado, como máscaras antipolvo especialmente diseñadas para filtrar partículas microscópicas.
- Evite el contacto prolongado con polvo generado por el lijado, serruchado, pulido y taladrado mecánico y otras actividades de construcción. Vista ropas protectoras y lave las áreas de la piel expuestas con agua y jabón. Si permite que el polvo se introduzca en la boca u ojos o quede sobre la piel, puede favorecer la absorción de productos químicos peligrosos.
- La utilización de esta herramienta puede generar polvo o dispersarlo, lo que podría causar daños graves y permanentes al sistema respiratorio, así como otras lesiones. Siempre use protección respiratoria aprobada por NIOSH (Instituto Nacional de Seguridad y Salud en el Trabajo) u OSHA (Administración de Seguridad y Salud en el Trabajo) apropiada para la exposición al polvo. Dirija las partículas en dirección contraria a la cara y el cuerpo.
- Siempre lleve la debida protección auditiva personal en conformidad con ANSI S12.6 (S3.19) durante el uso de esta herramienta. Bajo algunas condiciones y duraciones de uso, el ruido producido por este producto puede contribuir a la pérdida auditiva.

GUARDE ESTAS INSTRUCCIONES

Refiérase a ellas con frecuencia y utilícelas para adiestrar a otros.

CONEXIONES A LA FUENTE DE ALIMENTACIÓN

Debe utilizarse un circuito eléctrico independiente para las máquinas. Este circuito no debe ser menor a un cable N° 12 y debe estar protegido con un fusible de acción retardada. **NOTA:** Los fusibles de acción retardada deben estar marcados “D” en Canadá y “T” en EE.UU. Si se utiliza un cordón de extensión, utilice únicamente cordones de extensión de tres alambres que tengan enchufes de tipo de conexión a tierra con tres terminales y un receptáculo coincidente que acepte el enchufe de la máquina. Antes de conectar el máquina a la línea de alimentación, asegúrese de que el interruptor(s) esté en la posición de “APAGADO” y cerciórese de que la corriente eléctrica tenga las mismas características que las que estén indicadas en la máquina. Todas las conexiones a la línea de alimentación deben hacer buen contacto. El funcionamiento a bajo voltaje dañará el máquina.

▲ PELIGRO: PELIGRO DE DESCARGA ELÉCTRICA. No exponga la máquina a la lluvia ni la utilice en lugares húmedos.

ESPECIFICACIONES DEL MOTOR

La máquina está cableada para corriente alterna de 120 V, 60 Hz. Antes de conectar la máquina a la fuente de alimentación, asegúrese de que el interruptor esté en la posición de apagado.

INSTRUCCIONES DE CONEXIÓN A TIERRA

▲ PELIGRO: PELIGRO DE DESCARGA ELÉCTRICA. Esta máquina debe estar conectada a tierra mientras se esté utilizando, para proteger al operador contra las descargas eléctricas.

1. Todas las máquinas conectadas con cordón conectadas a tierra:

En caso de mal funcionamiento o avería, la conexión a tierra proporciona una ruta de resistencia mínima para la corriente eléctrica, con el fin de reducir el riesgo de descargas eléctricas. Esta máquina está equipada con un cordón eléctrico que tiene un conductor de conexión a tierra del equipo y un enchufe de conexión a tierra. El enchufe debe enchufarse en un tomacorriente coincidente que esté instalado y conectado a tierra adecuadamente, de acuerdo con todos los códigos y ordenanzas locales.

No modifique el enchufe suministrado. Si el enchufe no cabe en el tomacorriente, haga que un electricista calificado instale el tomacorriente apropiado.

La conexión inapropiada del conductor de conexión a tierra del equipo puede dar como resultado riesgo de descargas eléctricas. El conductor con aislamiento que tiene una superficie exterior de color verde con o sin franjas amarillas es el conductor de conexión a tierra del equipo. Si es necesario reparar o reemplazar el cordón eléctrico o el enchufe, no conecte el conductor de conexión a tierra del equipo a un terminal con corriente.

Consulte a un electricista competente o a personal de servicio calificado si no entiende completamente las instrucciones de conexión a tierra o si tiene dudas en cuanto a si la máquina está conectada a tierra apropiadamente.

Utilice únicamente cordones de extensión de tres alambres que tengan enchufes de tipo de conexión a tierra con tres terminales y receptáculos de tres conductores que acepten el enchufe de la máquina, tal como se muestra en la Fig. A.

Repáre o reemplace inmediatamente los cordones dañados o desgastados.

2. Máquinas conectadas con cordón conectadas a tierra diseñadas para utilizarse en un circuito de alimentación que tenga una capacidad nominal de menos de 150 V:

Si la máquina está diseñada para utilizarse en un circuito que tenga un tomacorriente parecido al que se ilustra en la Fig. A, la máquina tendrá un enchufe de conexión a tierra que se parece al enchufe ilustrado en la Fig. A. Puede utilizarse un adaptador temporal, que se parece al adaptador ilustrado en la Fig. B, para conectar este enchufe a un receptáculo coincidente de dos conductores, tal como se muestra en la Fig. B, si no se dispone de un tomacorriente conectado a tierra apropiadamente. El adaptador temporal debe utilizarse solamente hasta que un electricista calificado pueda instalar un tomacorriente conectado a tierra apropiadamente. La orejeta, lengüeta, etc., rígida de color verde que sobresale del adaptador debe conectarse a una toma de tierra permanente, como por ejemplo una caja tomacorriente conectada a tierra adecuadamente. Siempre que se utilice un adaptador, debe sujetarse en su sitio con un tornillo de metal.

NOTA: En Canadá, el uso de un adaptador temporal no está permitido por el Código Eléctrico Canadiense.

▲ PELIGRO: PELIGRO DE DESCARGA ELÉCTRICA. En todos los casos, asegúrese de que el receptáculo en cuestión esté conectado a tierra adecuadamente. Si no está seguro, haga que un electricista calificado compruebe el receptáculo.

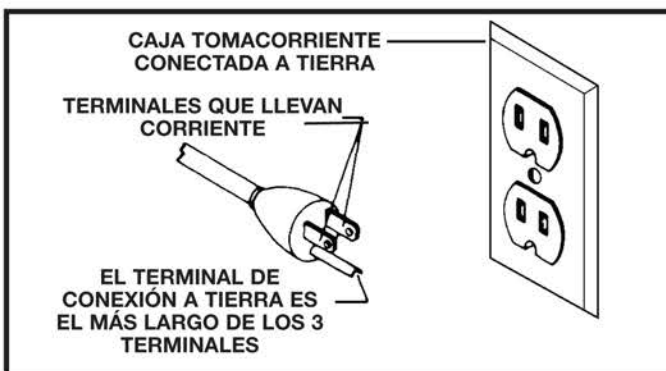


FIG. A

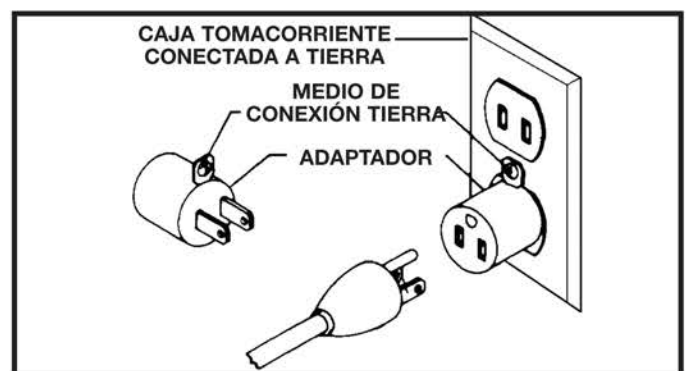


FIG. B

CORDONES DE EXTENSIÓN

⚠ ADVERTENCIA: Utilice cordones de extensión apropiados. Asegúrese de que el cordón de extensión esté en buenas condiciones y de que sea un cordón de extensión de tres alambres que tenga un enchufe de tipo de conexión a tierra con tres terminales y un receptáculo coincidente que acepte el enchufe de la máquina. Cuando utilice un cordón de extensión, asegúrese de emplear un cordón que sea lo suficientemente pesado como para llevar la corriente de la máquina. Un cordón de tamaño insuficiente causará una caída de la tensión de la línea eléctrica que dará como resultado pérdida de potencia y recalentamiento. En la Fig. C se muestra el calibre correcto que debe utilizarse dependiendo de la longitud del cordón. En caso de duda, utilice el siguiente calibre más pesado. Cuanto más pequeño sea el número de calibre, más pesado será el cordón.

CORDÓN DE EXTENSIÓN DE CALIBRE MÍNIMO			
TAMAÑOS RECOMENDADOS PARA USO CON MÁQUINAS ELÉCTRICAS ESTACIONARIAS			
Capacidad Nominal En Amperios	Voltios	Longitud Total Del Cordon En Pies	Calibre Del Cordon De Extensión
0-6	120	Hasta 25	18 AWG
0-6	120	25-50	16 AWG
0-6	120	50-100	16 AWG
0-6	120	100-150	14 AWG
6-10	120	Hasta 25	18 AWG
6-10	120	25-50	16 AWG
6-10	120	50-100	14 AWG
6-10	120	100-150	12 AWG
10-12	120	Hasta 25	16 AWG
10-12	120	25-50	16 AWG
10-12	120	50-100	14 AWG
10-12	120	100-150	12 AWG
12-16	120	Hasta 25	14 AWG
12-16	120	25-50	12 AWG
12-16	120	NO SE RECOMIENDA LONGITUDES MAYOR DE 50 PIES	

Fig. C

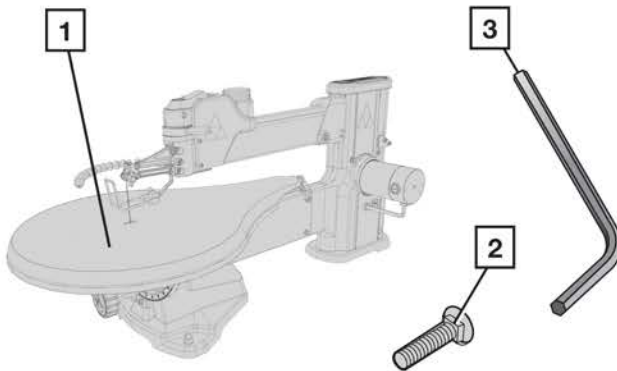
DESCRIPCIÓN FUNCIONAL

PROLOGO

La sierra caladora DELTA® 40-695 es una sierra de velocidad variable de 508 mm (20 pulg.) con un motor de 1,3 amperios con velocidades que pueden variar entre 400 y 1750 RPM. La mesa tiene un mecanismo para sujetar el material y puede inclinarse 45° a la izquierda o derecha para cortes biselados.

NOTA: El cuadro en la cubierta ilustra el modelo actual de la producción. Todas las demas ilustraciones son solamente representativas y es posible que no muestren el color, el etiquetado y los accesorios reales.

CONTENIDO DE CARTON



1. Sierra caladora (embalada sin la mesa o la hoja instaladas.)
2. Pernos de montaje para la mesa (2)
3. Llave hexagonal

DESEMPAQUETADO Y LIMPIEZA

Desembale cuidadosamente la máquina y todos los elementos sueltos del o los contenedores de envío. Retire el aceite anticorrosivo de las superficies sin pintura con un paño suave humedecido con alcohol mineral, solvente o alcohol desnaturalizado.

⚠ ADVERTENCIA: No use solventes volátiles como gasolina, nafta, acetona o solvente de barniz para limpiar la máquina. Luego de limpiar, cubra las superficies sin pintura con cera en pasta de buena calidad que se utiliza para los pisos del hogar.

ENSAMBLE

▲ ADVERTENCIA: Para reducir el riesgo de lesiones personales graves, apague la herramienta y desconéctela de la fuente de alimentación antes de instalar y retirar accesorios, ajustar o cambiar configuraciones o realizar reparaciones. Un arranque accidental podría causar lesiones.

MONTE LA TABLA Y LA SEGUETA

MONTE LA TABLA

Su sierra viene completamente ensamblada excepto por la mesa y la segueta. Para instalar la mesa, inserte primero el perno que se encuentra en la parte posterior del brazo en la parte trasera de la mesa (figura 1). Empuje la mesa hasta que la superficie posterior quede al ras del brazo y el perno se haya insertado completamente en la mesa (figura 2).

Ayudándose con la llave hexagonal que viene empacada con su sierra, una la mesa a la escala de inclinación apretando los tornillos que se ilustran en la figura 3.

INSTALACIÓN DE LA SEGUETA

▲ ADVERTENCIA: Para reducir el riesgo de lesiones personales graves, apague la herramienta y desconéctela de la fuente de alimentación antes de instalar y retirar accesorios, ajustar o cambiar configuraciones o realizar reparaciones. Un arranque accidental podría causar lesiones.

La segueta se sujeta en su posición por medio de los sujetadores de mariposa que van en los brazos superior e inferior de la sierra (figura 4).

Antes de instalar una segueta, asegúrese que la palanca de tensión de la segueta se haya movido completamente hacia la derecha, como se observa en la figura 7. A continuación afloje, pero no destornille, las mariposas superior e inferior (figura 4). Enrosque la segueta a través del orificio de la mesa, con los dientes apuntando hacia el frente de la sierra.

NOTA: Las sierras caladoras cortan al momento de bajar, de manera que es esencial que los dientes apunten hacia adelante y hacia abajo.

Inserte la segueta en el sujetador inferior y apriete firmemente la mariposa (Fig. 4). A continuación, inserte la parte superior de la segueta en el sujetador superior y apriete con firmeza la mariposa (Fig. 4).

Ajuste apropiadamente la tensión de la segueta antes de operar

su sierra. (Consulte la sección: **Palanca de tensión de la segueta** más adelante en este manual.)

Utilice solamente 127 mm (5 pulg.) aclare las seguetas del reemplazo de la sierra de la voluta del extremo.

PALANCA DE TENSIÓN DE LA SEGUETA

Mueva la palanca de tensión de la segueta (figura 5) hacia la izquierda para aumentar la tensión de ésta

El grado apropiado de tensión varía con el tamaño de las seguetas. Las seguetas más finas requieren más tensión, mientras que las seguetas más gruesas requieren menos. Si usted rompe las seguetas con frecuencia, disminuya la tensión.

Al acostumbrarse a operar su sierra caladora, usted se volverá más sensible en cuanto al ajuste de la tensión de las seguetas. Siempre que sea posible practique con material de desperdicio.

Remueva la segueta o baje la tensión cuando no vaya a utilizar su sierra por un periodo largo .

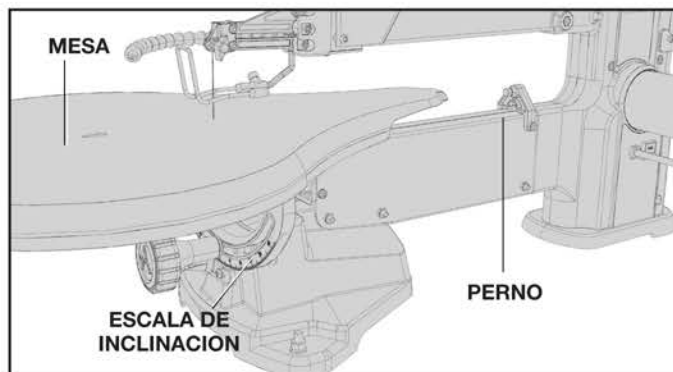


FIG. 1

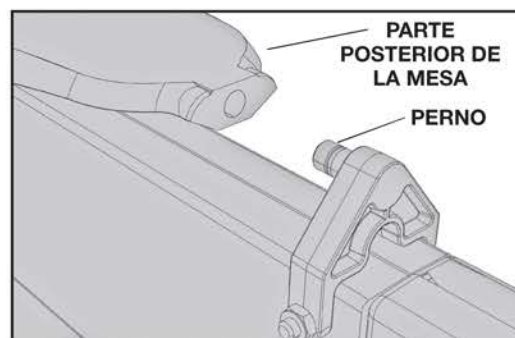


FIG. 2

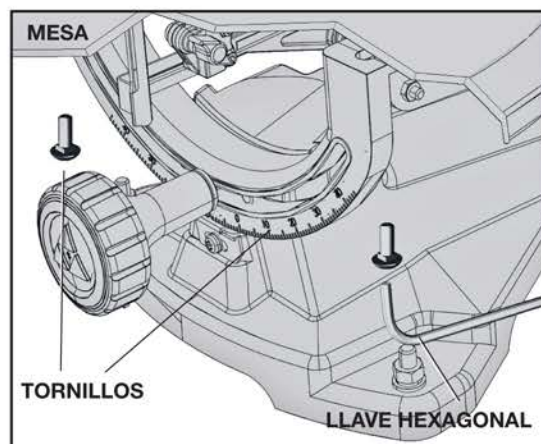


FIG. 3

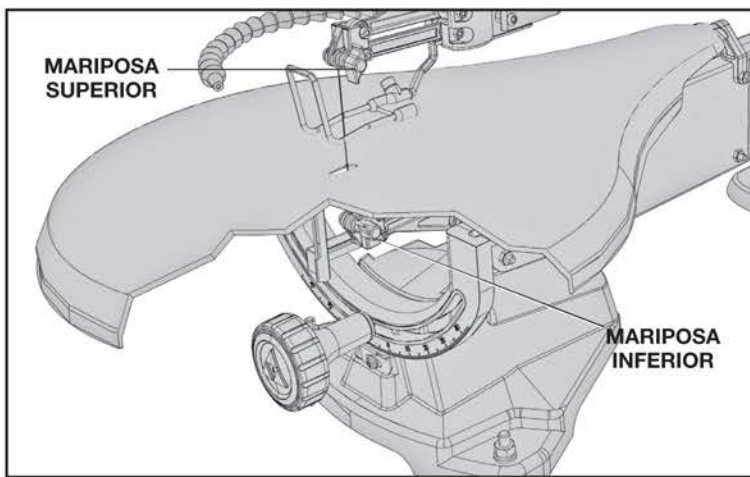


FIG. 4

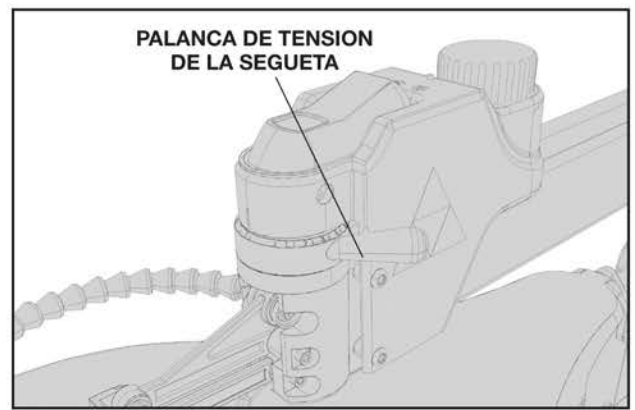


FIG. 5

OPERACIÓN

CONTROLES Y AJUSTES OPERACIONALES

CÓMO ARRANCAR Y DETENER LA SIERRA CALADORA

⚠ ADVERTENCIA: Asegúrese de que el interruptor esté en la posición de “APAGADO” (OFF) antes de enchufar el cable de alimentación en el tomacorriente. No toque las patas de metal del enchufe al enchufar o desenchufar el cable.

Para encender la sierra, oprima la parte frontal del interruptor (A) Fig. 6. La sierra queda encendida de manera permanente. Para apagar la sierra, oprima la parte trasera del interruptor (A). La sierra cuenta con un orificio (B) en el interruptor para colocar un candado y asegurar la sierra.

FIJANDO EL INTERRUPTOR EN LA POSICION DE APAGADO

IMPORTANTE: Cuando la machina no se esté utilizando, el interruptor debe bloquearse en la posición de “APAGADO” (OFF) utilizando un candado con una barra de 4,76 mm (3/16 pulg.) de diámetro para impedir el uso no autorizado de la sierra.

⚠ ADVERTENCIA: En el caso de un corte eléctrico (por ejemplo por un interruptor o fusible quemados) bloquee siempre el interruptor en la posición de “APAGADO” (OFF) hasta que se restablezca la energía principal.

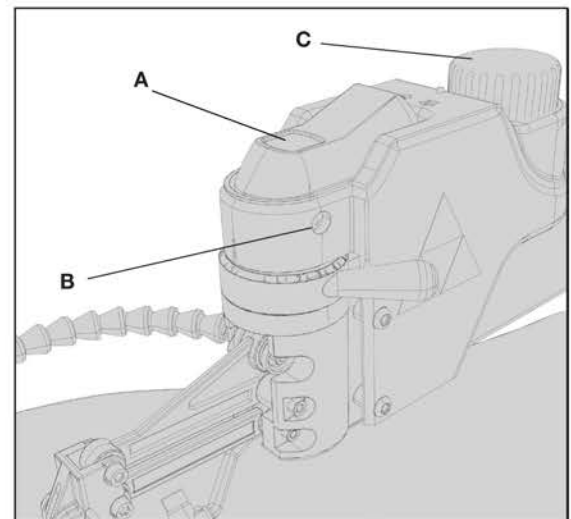


FIG. 6

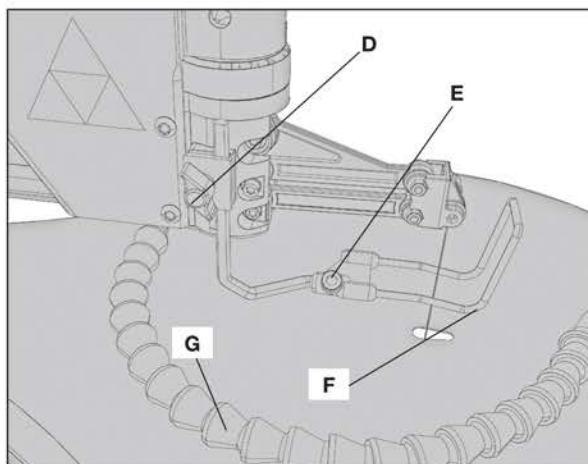


FIG. 7

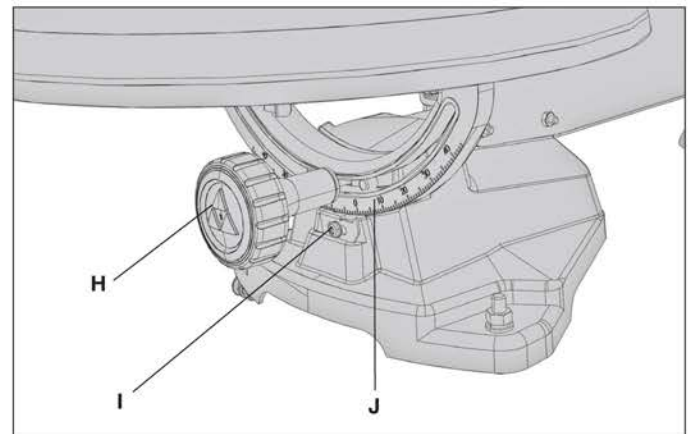


FIG. 8

UTILIZAR LA MAQUINA

SUJETADOR DE MATERIAL

El sujetador de material (F) Fig. 7 debe hacer contacto con la pieza de trabajo. Para ajustar el sujetador de material, afloje la mariposa (D) Fig. 7 y mueva la varilla hacia arriba o hacia abajo.

El sujetador de material debe inclinarse cuando la mesa esté inclinada. Para inclinar el sujetador afloje el tornillo hexagonal (E) Fig. 7 e incline el primero hasta que quede paralelo a la mesa. Apriete el sujetador antes de cortar.

NOTA: Cuando corte, asegúrese que el sujetador de material no haga contacto con el brazo inferior de la sierra caladora. Su sierra caladora tiene capacidad para cortar un espesor máximo de 50 mm (2 pulg.). NUNCA quite el sujetador de material ya que funciona también como barrera entre los dedos y la segueta.

MANGUERA DE AIRE

Su sierra caladora cuenta con una manguera de aire ajustable (G) Fig. 7 que le permite conservar su área de trabajo libre de polvo y desechos. Asegúrese de colocar la manguera correctamente: debe alejar al polvo del operador.

PERILLA DE CONTROL DE VELOCIDAD

Su sierra caladora cuenta con velocidad variable, de 400 a 1750 golpes por minuto. Para operar la característica de velocidad variable, gire la perilla de control de velocidad (C) Fig. 8 cuando la sierra esté en funcionamiento.

Para aumentar la velocidad, gire la perilla en el sentido de las manecillas del reloj. Los números en la perilla representan niveles de velocidad. Uno es la velocidad mínima, 8 es la velocidad máxima.

Se recomiendan velocidades bajas para metales, plásticos, maderas duras y materiales muy delgados.

CORTE

Sujete el material con firmeza contra la mesa. Siempre alimente el material hacia la segueta. Avance la pieza de trabajo con la suficiente rapidez para permitir que la segueta haga el corte, pero no fuerce el material.

INCLINACIÓN

La mesa de su sierra caladora se inclina hasta 45° hacia derecha o izquierda. Hay un posicionador a 0°. Para inclinar la mesa de la sierra, afloje la perilla del seguro de inclinación (H) Fig. 8, e inclínela hasta la posición deseada en la escala de inclinación (J), señalada por el indicador de inclinación (I).

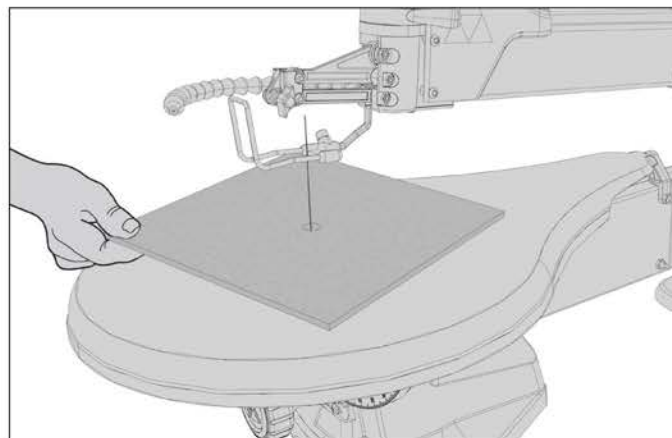


FIG. 9

NOTA: Antes de inclinar la mesa para hacer cortes biselados de 45°, revise el espacio entorno a la mariposa inferior. Para facilitar la precisión del corte de 45°, es posible que deba cambiar de lugar la mariposa y el tornillo de fijación. En el lado del tornillo de fijación hay suficiente espacio disponible.

TRABAJOS ESPECIALES

CORTES INTERIORES

Su sierra caladora es ideal para corte interiores en trabajos detallados. Para hacer un corte interior:

1. Perfore un orificio guía en su pieza de trabajo.
2. Asegúrese que la palanca de tensión de la segueta esté completamente hacia la derecha.
3. Afloje la mariposa del sujetador superior de la segueta.
4. Deje que la segueta permanezca en su sitio sujeta por la parte inferior, levante el brazo superior de la sierra como se observa en la figura 9. Pase la segueta a través del orificio de su pieza de trabajo y colóquela de nuevo en el sujetador superior. Apriete la mariposa.
5. Ajuste la tensión de la segueta e inicie el corte interior.

Como alternativa usted puede aflojar la mariposa del sujetador inferior en el paso 3 antes mencionado, y pasar la segueta a través de la parte superior de la pieza de trabajo.

NOTA: No levante la sierra por el brazo superior. Puede dañarla.

LOCALIZACION DE FALLAS

Para obtener asistencia para su máquina, visite nuestro sitio Web en www.DeltaMachinery.com para tener acceso a una lista de centros de servicio o llame a la línea de ayuda de DELTA® Power Equipment Corporation al 1-800-223-7278.

MANTENIMIENTO

▲ ADVERTENCIA: Para reducir el riesgo de lesiones personales graves, apague la herramienta y desconéctela de la fuente de alimentación antes de instalar y retirar accesorios, ajustar o cambiar configuraciones o realizar reparaciones. Un arranque accidental podría causar lesiones.

MANTENGA LA MÁQUINA LIMPIA

Periódicamente sople por todas las entradas de aire con aire comprimido seco. Todas las piezas de plástico deben limpiarse con un paño suave y húmedo. NUNCA utilice solventes para limpiar las piezas de plástico. Podrían derretirse o dañar el material.

▲ ADVERTENCIA: Utilice equipo de seguridad certificado para proteger sus ojos, oídos y vías respiratorias cuando use aire comprimido.

FALLA EN EL ENCENDIDO

Si la máquina no enciende, verifique que las patas del enchufe del cable hagan buen contacto en el tomacorriente. Además, revise que no hayan fusibles quemados o interruptores automáticos de circuito abierto en la línea.

LUBRICACIÓN Y PROTECCIÓN CONTRA ÓXIDO

Aplique semanalmente cera en pasta para pisos a la mesa de la máquina y a la extensión u otra superficie de trabajo. También puede usar productos protectores disponibles en comercios y diseñados con este propósito. Siga las instrucciones del fabricante para su uso y seguridad.

Para limpiar el óxido de las mesas de hierro fundido, necesitará los siguientes materiales: una almohadilla para fregar de tamaño mediano, una lata de lubricante en aerosol y una lata de desgrasador. Aplique el lubricante en aerosol y pule la superficie de la mesa con la almohadilla para fregar. Desgrase la mesa y luego aplique el producto protector como se muestra más arriba.

PROTECTOR DE SOBRECARGA

Su sierra caladora está equipada con un fusible de protección contra sobrecargas de 3A. Si la sierra se sobrecarga y deja de funcionar, apáguela, revise que el fusible no se haya quemado quitando la tapa (figura 10). Su sierra caladora emplea un fusible #3AG de acción rápida, de 31,7 mm de longitud x 6,3 mm de diámetro (1-1/4 pulg. x 1/4 pulg.).

CARBONES

Revise regularmente los carbones de la siguiente manera: desconecte la herramienta, quite la tapa de inspección de carbones (figura 10) y retire el montaje de los carbones. Conserve los carbones limpios y deslizándose libremente en sus guías. Siempre reemplace un carbón usado en la misma orientación que tenía en el portacarbón antes de retirarlo. Si el carbón se desgastó hasta 9,5 mm (3/8 pulg.), debe reemplazarse. Use solamente cepillos DELTA® idénticos. Podrá comprar nuevas unidades de cepillos en los centros de servicios DELTA® autorizados. Debe permitirse a la herramienta funcionar "sin carga" durante 10 minutos antes de usarse para asentar los carbones.

MESA

Conserve la mesa limpia y libre de aceite, grasa y rebabas. Aplique a la mesa cera en pasta para ayudar a conservar su acabado liso.

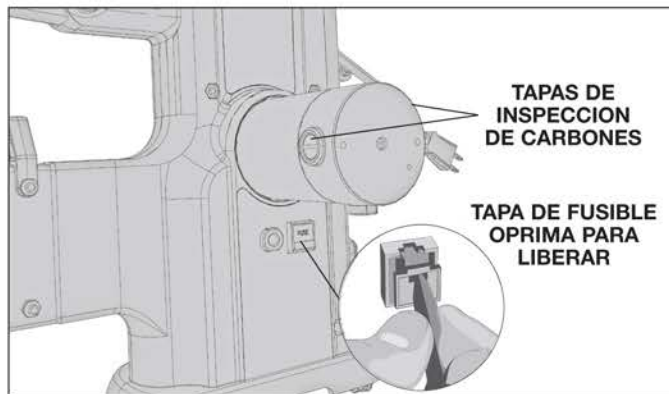


FIG. 10

SERVICIO

PIEZAS DE REPUESTO

Utilice sólo piezas de repuesto idénticas. Para obtener una lista de las piezas o para solicitarlas, visite nuestro sitio Web en www.DeltaMachinery.com/service. También puede solicitar piezas en una de nuestras sucursales o centros de mantenimiento con garantía autorizados más cercanos, o llamando a Technical Service Manager (Servicios para el usuario final) al 1-800-223-7278 para obtener asistencia personalizada de uno de nuestros representantes altamente capacitados.

REEMPLAZO GRATUITO DE LAS ETIQUETAS DE ADVERTENCIA

Si las etiquetas de advertencia se tornan ilegibles o se pierden, llame al 1-800-223-7278 para reemplazarlas sin costo alguno.

▲WARNING TO REDUCE THE RISK OF INJURY, USER MUST READ INSTRUCTION MANUAL BEFORE OPERATING SCROLL SAW. ALWAYS USE PROPER EYE AND RESPIRATORY PROTECTION. DO NOT WEAR GLOVES, NECKTIES, JEWELRY, OR LOOSE CLOTHING. BOTH GUARDS SHOULD BE PROPERLY PLACED AND USED AT ALL TIMES. HOLD WORK PIECE FIRMLY AGAINST TABLE. KEEP HANDS AND FINGERS AWAY FROM BLADE. DO NOT REMOVE JAMMED OR SCRAP PIECES UNTIL THE BLADE HAS STOPPED WITH POWER OFF. DISCONNECT MACHINE FROM POWER SOURCE BEFORE MAKING REPAIRS OR ADJUSTMENTS. DO NOT OPERATE WHILE UNDER THE INFLUENCE OF DRUGS, ALCOHOL, OR MEDICATION. SOME WOOD CONTAINS PRESERVATIVES SUCH AS COPPER CHROMIUM ARSENATE (CCA) WHICH CAN BE TOXIC. WHEN SAWING THESE MATERIALS EXTRA CARE SHOULD BE TAKEN TO AVOID INHALATION AND MINIMIZE SKIN CONTACT.

▲ADVERTENCIA PARA REDUCIR EL RIESGO DE LESIONES USUARIO DEBE LEER EL MANUAL DE INSTRUCCIONES ANTES DE OPERAR LA SIERRA CALADORA. SIEMPRE USAR PROTECCIÓN ADECUADA PARA LOS OJOS Y VÍAS RESPIRATORIAS. NO USAR GUANTES, CORBATAS, JOYAS NI ROPA HOLGADA. AMBOS PROTECTORES DEBEN COLGARSE CORRECTAMENTE Y UTILIZARSE EN TODO MOMENTO SOSTENGA FIRMEMENTE LA PIEZA DE TRABAJO CONTRA LA MESA. MANTEN LAS MANOS Y LOS DEDOS ALEJADOS DE LA HOJA. NO RETIRE LAS PIEZAS ATASCADAS O DE DESCARTE MIENTRAS LA HOJA NO SE HAYA DETENIDO CON LA ALIMENTACIÓN APAGADA. DESCONECTE LA MÁQUINA DE LA FUENTE DE ALIMENTACIÓN ANTES DE REALIZAR REPARACIONES O AJUSTES. NO OPERAR LA UNIDAD BAJO LA INFLUENCIA DE DROGAS, ALCOHOL, O MEDICAMENTO. ALGUNAS MADERAS CONTIENEN CONSERVANTES, COMO EL ARSENATO DE COBRE CROMADO (CCA, POR SUS SIGLAS EN INGLÉS), QUE PUEDEN SER TÓXICOS. AL ASERRAR ESTOS MATERIALES, DEBE TENERSE ESPECIAL CUIDADO PARA EVITAR LA INHALACIÓN Y MINIMIZAR EL CONTACTO CON LA PIEL.

▲AVERTISSEMENT L'UTILISATEUR DOIT LIRE LE MODE D'EMPLOI AVANT D'UTILISER LA SCIE À CHANTOURNER AFIN DE RÉDUIRE LE RISQUE DE BLESSURE. TOUJOURS UTILISER UNE PROTECTION OCULAIRE ET RESPIRATOIRE ADEQUATE. NE PAS PORTER DE GANTS, CORBAATES, JOYOUS NI VÊTEMENTS AMPLES. LES DEUX PARE-MAINS DEVRAIENT ÊTRE BIEN PLACÉS ET UTILISÉS EN TOUT TEMPS. TENIR FERMEMENT LA PIÈCE CONTRE LA TABLE. ÉLOIGNER LES MAINS ET LES DOIGTS DE LA LAME. NE PAS RETIRER LES PIÈCES COINCÉES OU LES CHUTES AVANT L'ARRÊT COMPLET DE LA LAME ET DE L'OUTIL. DÉBRANCHER L'APPAREIL DE LA SOURCE D'ALIMENTATION AVANT D'EFFECTUER DES RÉPARATIONS OU DES RÉGLAGES. NE PAS UTILISER L'APPAREIL AVEC DES FACILTES AFFAIBLIES PAR LA DROGUE, L'ALCOOL, OU UN MÉDICAMENT. CERTAINES PIÈCES DE BOIS RENFERMENT DES AGENTS DE PRÉSERVATION QUI PEUVENT ÊTRE TOXIQUES, NOTAMMENT L'ARSENATE DE COUVRE ET DE CHROME (CCA). AU MOMENT DE SCIER CES MATÉRIAUX, FAIRE PREUVE DE GRANDE PRUDENCE POUR ÉVITER D'INHALER ET MINIMISER LE CONTACT CUTANÉ.

CAUTION
DO NOT LIFT SAW BY UPPER ARM, DAMAGE WILL OCCUR.

ATENCIÓN
NO LEVANTE LA SIERRA SUIJETÁNDOLA DEL BRAZO SUPERIOR O SE DAÑARÁ.

ATTENTION
NE PAS LEVER LA SCIE PAR LE BRAS SUPÉRIEUR, CAR CELA L'ENDOMMAGERAIT.

▲WARNING
TO REDUCE THE RISK OF ELECTRIC SHOCK DO NOT CONNECT TO AN UNGROUNDED SUPPLY.

▲ADVERTENCIA
PARA REDUCIR EL RIESGO DE DESCARGA ELÉCTRICA NO CONECTAR A UN SUMINISTRO SIN CONEXIÓN TIERRA.

▲WARNING
TO REDUCE THE RISK OF ELECTRIC SHOCK DO NOT CONNECT TO AN UNGROUNDED SUPPLY.

▲AVERTISSEMENT
POUR RÉDUIRE LE RISQUE DE CHOC ÉLECTRIQUE NE PAS BRANCHER À UNE SOURCE D'ALIMENTATION NON MISE À LATERRRE.

DELTA

⚠ WARNING HOT SURFACE, KEEP AWAY FROM CURTAINS AND OTHER COMBUSTIBLE MATERIALS TO REDUCE THE RISK OF FIRE. USE MAX 25W/AT 120VOLT TYPE S BULB DO NOT USE STANDARD HOUSEHOLD BULB.

⚠ ADVERTENCIA SUPERFICIE CALIENTE. MANTENGALA LEJADA DE CORTINAS Y OTROS MATERIALES COMBUSTIBLES PARA REDUCIR EL RIESGO DE INCENDIO. UTILICE UNABOMBILLA TIPO S DE 25 VATIOS MÁX. Y 120 VOLTIOS NO UTILICE UNA BOMBILLA ESTÁNDAR DE USO DOMÉSTICO.

⚠ AVERTISSEMENT SURFACE CHAUDE, GARDER L'ÉCART DES RIDEAUX ET D'AUTRES MATIÈRES COMBUSTIBLES POUR RÉDUIRE LE RISQUE D'INCENDIE. UTILISER UNE AMPOULE D'ÉPÉES, DE 25 W MAX. ET DE 120 V. NE PAS UTILISER D'AMPOULE STANDARD DOMESTIQUE.

DELTA

MOD. 40-695
20" (508 mm) Scroll Saw
Sierra caladora de 508 mm (20 pulg)
Scie à chantourner de 508 mm (20 po)

DELTA Machinery y. Anderson, SC 29626
Made in Taiwan / Fabricado en Taiwán / Fabriqué à Taiwan

⚠ WARNING TO REDUCE THE RISK OF INJURY, READ INSTRUCTION MANUAL BEFORE OPERATING SAW. ALWAYS USE PROPER EYE AND RESPIRATORY PROTECTION. WHEN SERVICING, USE ONLY IDENTICAL REPLACEMENT PARTS. DO NOT EXPOSE TO RAIN OR USE IN DAMP LOCATIONS.

⚠ ADVERTENCIA PARA REDUCIR EL RIESGO DE LESIONES, LEA EL MANUAL DE INSTRUCCIONES ANTES DE OPERAR LA SIERRA. SIEMPRE UTILICE PROTECCIÓN ADECUADA PARA LOS OJOS Y LAS VÍAS RESPIRATORIAS. AL REALIZAR EL MANTENIMIENTO, SOLO UTILICE PIEZAS DE REPUESTO IDENTICAS. NO EXPONER A LA LLUVIA NI UTILIZAR EN LUGARES HÚMEDOS.

⚠ AVERTISSEMENT POUR RÉDUIRE LE RISQUE DE BLESSURES, LIRE LE MODE D'EMPLOI AVANT UTILISATION DE LA SCIE. TOUJOURS UTILISER UNE PROTECTION OCULAIRE ET RESPIRATOIRE ADEQUATE. POUR LA RÉPARATION, UTILISER UNIQUEMENT DES PIÈCES DE RECHANGE IDENTIQUES. PROTÉGER DE LA PLUIE ET NE PAS

DELTA

MOD. 40-691
Scr oil Saw Stand
Soporte de Sierra Caladora
Support de Scie à découper

DELTA Machinery y. Anderson, SC 29626
Made in China / Hecho en China / Fabriqué en Chine

⚠ WARNING TO REDUCE THE RISK OF INJURY, USER MUST READ TOOL INSTRUCTION MANUAL BEFORE OPERATING PRODUCT. FOR USE WITH 40-690 SCROLL SAW, FASTEN TOOL TO STAND BEFORE USE. TIGHTEN ALL FASTENERS COMPLETELY BEFORE USE. MAXIMUM LOAD - 150 LBS (68 KG). DO NOT CLIMB, SIT OR STAND ON SAW STAND. DO NOT USE STAND ON UNEVEN OR LA UNSTABLE SURFACE.

⚠ ADVERTENCIA PARA REDUCIR EL RIESGO DE LESIONES, EL USUARIO DEBE LEER EL MANUAL DE INSTRUCCIONES DEL PRODUCTO ANTES DE OPERAR EL PRODUCTO. PARA USO CON LA SIERRA CALADORA 40-690, AJUSTE LA HERRAMIENTA A LA BASE ANTES DEL USO. AJUSTE COMPLETAMENTE TODOS LOS SUJETADORES ANTES DEL USO. CARGA MÁXIMA: 150 LIBRAS (68 KG). NO SE SUBA, SIENTE NI PARE SOBRE LA BASE DE LA SIERRA. NO UTILICE EL ESTANDE SOBRE UNA SUPERFICIE INESTABLE.

⚠ AVERTISSEMENT AFIN DE RÉDUIRE LE RISQUE DE BLESSURES, L'UTILISATEUR DOIT LIRE LE MANUEL D'EMPLOI AVANT D'UTILISER LE PRODUIT. UTILISER LA SCIE A DÉCOUPER AVEC LA SCIE À DÉCOUPER 40-690. FIXER L'OUTIL AU SOCLE AVANT SON UTILISATION. BIEN SERRER TOUTES LES ATTACHES AVANT D'UTILISER L'OUTIL. CHARGE MAXIMALE: 68 KG (150 LBS). NE PAS GRIMPER, S'ASSEOIR OU SE TENIR SUR LE SOCLE DE LA SCIE. NE PAS UTILISER LE SOCLE SUR UNE SURFACE INÉGALE OU INSTABLE.

MANTENIMIENTO Y REPARACIONES

Con el paso del tiempo, todas las herramientas de calidad requieren mantenimiento o reemplazo de las piezas. Para obtener información acerca de DELTA® Power Equipment Corporation y sus sucursales o para localizar un centro de mantenimiento con garantía autorizado, visite nuestro sitio Web en www.DeltaMachinery.com o llame a Technical Service Manager (Servicios para el usuario final) al 1-866-999-1499. Todas las reparaciones realizadas en nuestros centros de mantenimiento están completamente garantizadas en relación con los materiales defectuosos y la mano de obra. No podemos otorgar garantías en relación con las reparaciones ni los intentos de reparación de otras personas.

Asimismo, para obtener información puede escribirnos a DELTA® Power Equipment Corporation, 2651 New Cut Rd, Spartanburg, SC 29303 - Attention: Technical Service Manager. Asegúrese de incluir toda la información mencionada en la placa de la herramienta (número de modelo, tipo, número de serie, código de fecha, etc.)

ACCESORIOS

⚠ ADVERTENCIA: Puesto que los accesorios con excepción de éstos ofrecidos por DELTA® no se han probado con este producto, el uso de tales accesorios podría ser peligroso. Para reducir el riesgo de lesiones, solamente el DELTA® recomendó los accesorios se debe utilizar con este producto.

Una línea completa de accesorios está disponible de su surtidor de • DELTA, centros de servicio de la fábrica de DELTA, y estaciones autorizadas DELTA. Visite por favor nuestro Web site www.DeltaMachinery.com para un catálogo o para el nombre de su surtidor más cercano.

PÓLIZA DE GARANTÍA

IDENTIFICACIÓN DEL PRODUCTO:

Sello o firma del Distribuidor. Nombre del producto: _____ Mod./Cat.: _____
 Marca: _____ Núm. de serie: _____ (Datos para ser llenados por el distribuidor)
 Fecha de compra y/o entrega del producto: _____ Nombre y domicilio del distribuidor
 donde se adquirió el producto: _____

Este producto está garantizado por tres años de garantía limitada a partir de la fecha de entrega, contra cualquier defecto en su funcionamiento, así como en materiales y mano de obra empleados para su fabricación. Nuestra garantía incluye la reparación o reposición del producto y/o componentes sin cargo alguno para el cliente, incluyendo mano de obra, así como los gastos de transportación razonablemente erogados derivados del cumplimiento de este certificado. Para hacer efectiva esta garantía deberá presentar su herramienta y esta póliza sellada por el establecimiento comercial donde se adquirió el producto, de no contar con ésta, bastará la factura de compra.

EXCEPCIONES

Esta garantía no será válida en los siguientes casos:

- Cuando el producto se hubiese utilizado en condiciones distintas a las normales;
- Cuando el producto no hubiese sido operado de acuerdo con el instructivo de uso que se acompaña;
- Cuando el producto hubiese sido alterado o reparado por personas distintas a las enlistadas al final de este certificado.

Anexo encontrará una relación de sucursales de servicio de fábrica, centros de servicio autorizados y franquiciados en la República Mexicana, donde podrá hacer efectiva su garantía y adquirir partes, refacciones y accesorios originales.

GARANTIA

Para registrar la herramienta para obtener el mantenimiento cubierto por la garantía de la herramienta, visite nuestro sitio web en www.DeltaMachinery.com.

Garantía limitada de cinco años para productos nuevos

DELTA® reparará o reemplazará, a expensas y opción propias, cualquier máquina nueva, pieza de máquina nueva o accesorio de máquina nuevo DELTA® que durante el uso normal haya presentado defectos de fabricación o de material, siempre que el cliente devuelva el producto con el transporte prepagado a un centro de servicio de fábrica DELTA® o una estación de servicio autorizado DELTA, con un comprobante de compra del producto, dentro del plazo de cinco años y dé a DELTA® una oportunidad razonable de verificar el supuesto defecto mediante la realización de una inspección. Para todos los productos DELTA® reacondicionados, el período de garantía es de 180 días. DELTA® no será responsable de ningún defecto alegado que haya resultado del desgaste normal, uso indebido, abuso o reparación o alteración realizada o autorizada específicamente por alguien que no sea un centro de servicio autorizado DELTA® o un representante autorizado DELTA. DELTA® no será responsable en ninguna circunstancia de los daños incidentales o emergentes que se produzcan como resultado de productos defectuosos. Algunos estados no permiten la exclusión o limitación de los daños incidentales o resultantes, por lo que la limitación o exclusión anterior puede no aplicarse a usted. Esta garantía es la única garantía de DELTA® y establece el recurso exclusivo del cliente en lo que respecta a los productos defectuosos; DELTA® rechaza expresamente todas las demás garantías, expresas o implícitas, tanto de comerciabilidad como de idoneidad para un propósito o de cualquier otro tipo. Para mayores detalles sobre la cobertura de la garantía e información acerca de reparaciones realizadas bajo garantía, visítenos en www.DeltaMachinery.com o diríjase al centro de servicio más cercano (888) 848-5175. Esta garantía no aplica a accesorios o a daños causados por reparaciones realizadas o intentadas por terceros. Esta garantía le otorga derechos legales específicos, además de los cuales puede tener otros dependiendo del estado o provincia en que se encuentre.

AMÉRICA LATINA: Esta garantía no se aplica a los productos que se venden en América Latina. Para los productos que se venden en América Latina, debe consultar la información de la garantía específica del país que viene en el empaque, llamar a la compañía local o visitar el sitio Web a fin de obtener esa información.

ESPECIFICACIONES

MODEL 40-694

Tensión de alimentación:	120 V AC~
Consumo de corriente:	1,3 A
Frecuencia de operación:	60 Hz
Rotación sin carga:	400-1 750 rpm



POWER EQUIPMENT CORPORATION

2651 New Cut Road
Spartanburg, SC 29303
(800) 223-7278
www.DeltaMachinery.com

Copyright © 2011 DELTA® Power Equipment Corporation DPEC002773 - (9-15-13)

Revised 05-03-16

