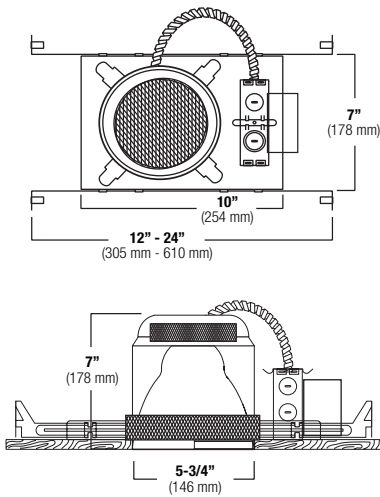
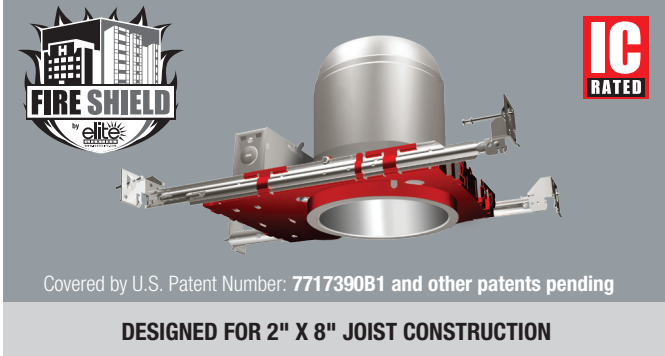


# FS5PLIC-AT

## 5" CFL Fire Shield IC/Non-IC Housing 1 or 2-Hour Fire Rated Recessed Luminaire

LAMP WATTAGE: 13W/18W



LAMP BASE GUIDE (Sockets will accept all designated lamp bases listed.)	
13W	18W
G24q-1	G24q-2
GX24q-1	GX24q-2

**FS5PLIC-AT - ITEM SELECTOR:** (Please check the boxes below for the option desired)

WATTAGE	BALLAST	VOLTAGE	EMERGENCY OPTIONS	TRIM TYPE	BAFFLE	REFLECTOR	TRIM/RING
<input type="checkbox"/> 13W	<input type="checkbox"/> (E) Electronic	<input type="checkbox"/> 120	<input type="checkbox"/> EMG 750 (750 Lumens)	<input type="checkbox"/> B531	<input type="checkbox"/> W	<input type="checkbox"/> CL	<input type="checkbox"/> WH
<input type="checkbox"/> 18W		<input type="checkbox"/> 277	<input type="checkbox"/> EMG 1300 (1300 Lumens)	<input type="checkbox"/> B508	<input type="checkbox"/> P	<input type="checkbox"/> RG	<input type="checkbox"/> BK
			<input type="checkbox"/> EMG-D-750 (750 Lumens)		<input type="checkbox"/> SN	<input type="checkbox"/> W	<input type="checkbox"/> SN
			<input type="checkbox"/> ICE-1300 (1300 Lumens)		<input type="checkbox"/> CP	<input type="checkbox"/> MB	<input type="checkbox"/> CP
	<b>DIMMING</b>		<b>OTHER OPTIONS</b>		<input type="checkbox"/> BZ	<input type="checkbox"/> BZ	<input type="checkbox"/> CH
	<input type="checkbox"/> Mark 7		<input type="checkbox"/> FUZE			<input type="checkbox"/> CP	<input type="checkbox"/> PB
	<input type="checkbox"/> Mark 10		<input type="checkbox"/> RIF			<input type="checkbox"/> SN	<input type="checkbox"/> BZ
	<input type="checkbox"/> Lut-E (EC3D)					<input type="checkbox"/> SHZ	

MARK 7 - Not available in 13W • MARK 10 - Not available in 13W must specify voltage • UT-E (EC3D) - Not available in 13W • EMG - Emergency battery pack w/ remote test switch • EMG-D - Emergency battery pack w/ remote test switch for damp location • ICE - Emergency battery pack w/ remote test switch operating between -18°C and 55°C • FUZE - Single slow-blow fuse • RIF - Radio interference filter

### Specifications:

#### FS5PLIC-AT

WATT BALLAST VOLTAGE AIR-SHUT EMERGENCY OPTIONS TRIM TYPE REFLECTOR BAFFLE RING GLASS

Sample of Catalog Number: **FS5PLIC-AT-18W-E-EMG750-B531W-WH**

\*For custom baffle, reflector, trim ring, glass color and lens options, please consult factory.



Submittal form is available @ [www.fireshieldlighting.com](http://www.fireshieldlighting.com)  
Tel: 323-888-1973 • Fax: 323-888-1977

Specifications and Dimensions  
subject to change without notice.

Catalog Number:

Project Name:

Type:

Note:

**FIRE SHIELD**

CFL LIGHTING FIXTURE CONFORMS TO ASTM STD 119

### 1-HOUR FIRE RATED

Fire rated floor/ceiling assembly  
refer to UL Design No. L500 & P500

### 2-HOUR FIRE RATED

Fire rated floor/ceiling assembly  
refer to UL Design No. L505

FOR MORE INFORMATION, PLEASE REFER TO THE INSTRUCTION MANUAL

Our FIRE SHIELD Housing Is Designed To Meet Today's **One or Two-Hour Fire-Rated IC & Non-IC Codes for high-rise Condominiums, Apartment Buildings, Multi-Family Residences, Hotels, Hospitality, Assisted Living Homes, Hospitals, Health Care and many more applications.** Accommodates up to 18W DTT/TTT 4-pin compact fluorescent lamp. Furnished with preinstalled adjustable bar hangers. Junction box is provided with four 1/2" KOs, one 3/4" KO and four Romex knockouts with strain relief.

#### FIRE PROTECTION PERFORMANCE

- The luminaire ships assembled with the fire protection material already attached in their working positions
- As the fire intensifies, a protection disk seals off the bottom opening of the housing and stops the fire from passing through the fixture
- The inner assembly reacts strongly to high temperatures (428°F/220°C and above) and swells to a solid dense mass filling the entire luminaire cavity
- Prevents flames and smoke from passing through the light fixture and spreading throughout floor above
- Fire Shield recessed lighting luminaire eliminates the use of subcontractors to build additional boxes around a luminaire to achieve a 1-hour or 2-hour fire rating
- The Fire Shield family of Lighting Luminaires protect the floors above by preventing heat and flames from passing into the ceiling void
- Easier and faster to install than custom-built fireboxes and housings that require hats or additional fire-rated materials

#### SPECIFICATION

**A. HOUSING** - High temperature painted 22 gauge cold-rolled steel construction for maximum heat dissipation and rust protection. Factory assembled with 1 or 2 hour Fire-rated components. Adjusts vertically in plaster frame to accommodate 1/2" to 1 -3/4" ceiling. This includes ceiling constructions of all 1 hour and 2 hour fire-rated assemblies

**B. SOCKET** - One vertically mounted plug-in socket. Unitized optics guarantees proper trim to housing installation. Tool-less installation adjusts from inside the housing.

**C. BALLAST** - Thermally protected, current controlled ballast, will produce full light output, increase lamp life with no noise and flicker. Ballast supplied is manufactured by Advance.

**D. BAR HANGERS** - Preinstalled bar hangers allow housing to be positioned and locked at any point within a 24" joist span. They can be positioned on either the long or short axis of the housing and can be shortened for 12" joists. They contain a double-headed real nail for 20° downward angle for better contact, and the 90° pivoting mounting plate makes installation fast and accurate.

**E. JUNCTION BOX** - listed for through-branch circuit wiring and has four 1/2" KOs, one 3/4" KO and four Romex knockouts with true pry-out slots and strain clamps.

#### AIR-SHUT ASTM E283

- Gasket to prevent air flow from heated or air conditioned spaces.
- Meets all national air flow requirements.



BAFFLE	REFLECTOR	TRIM/RING
W White	CL Chrome	WH White
P Black	RG Gold	BK Black
SN Satin Nickel	W White	SN Satin Nickel
CP Copper	MB Black	CP Copper
BZ Bronze	BZ Bronze	CH Chrome
	CP Copper	PB Polish Brass
	SN Satin Nickel	BZ Bronze
	SHZ Satin Haze	

# 5" CFL Trims

( LAMP WATTAGE: 13W / 18W )

Catalog Number:

Project Name:

Type:

Note:

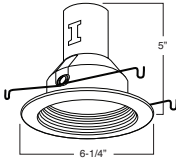
**FIRE SHIELD**

## B531W-WH

Shallow Stepped Baffle



**AVAILABLE COLOR COMBINATIONS:**  
CP-CP, SN-SN, W-WH, P-WH, P-BK, BZ-BZ



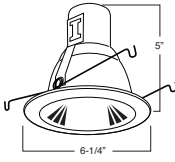
( LAMP WATTAGE: 18W )

## B508CL-CH

Shallow Reflector



**AVAILABLE COLOR COMBINATIONS:**  
CL-WH, CL-CH, RG-WH, RG-PB, W-WH, MB-WH, CP-CP, MB-BK, SN-SN, SN-WH



( LAMP WATTAGE: 18W )

### Trim Color Options



**W-WH**  
White White



**P-BK**  
Black Black



**BZ-BZ**  
Bronze Bronze



**CP-CP**  
Copper Copper



**SN-SN**  
Satin Nickel



**CL-WH**  
Clear White



**CL-CH**  
Clear Chrome



**SN-SN**  
Satin Nickel



**W-WH**  
White White



**SN-WH**  
Satin White



**MB-WH**  
Black White



**RG-WH**  
Gold White



**RG-PB**  
Gold Polish Brass



**BZ-BZ**  
Bronze Bronze



**CP-CP**  
Copper Copper



**MB-BK**  
Black Black

PATENT PENDING



Submittal form is available @ [www.fireshieldlighting.com](http://www.fireshieldlighting.com)  
Tel: 323-888-1973 • Fax: 323-888-1977

Specifications and Dimensions  
subject to change without notice.