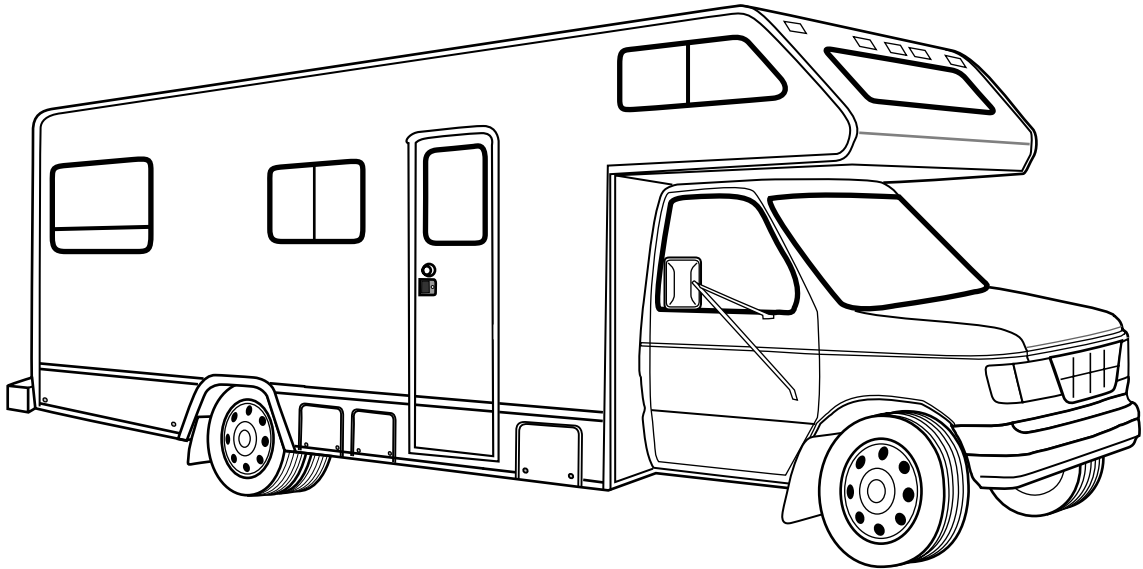
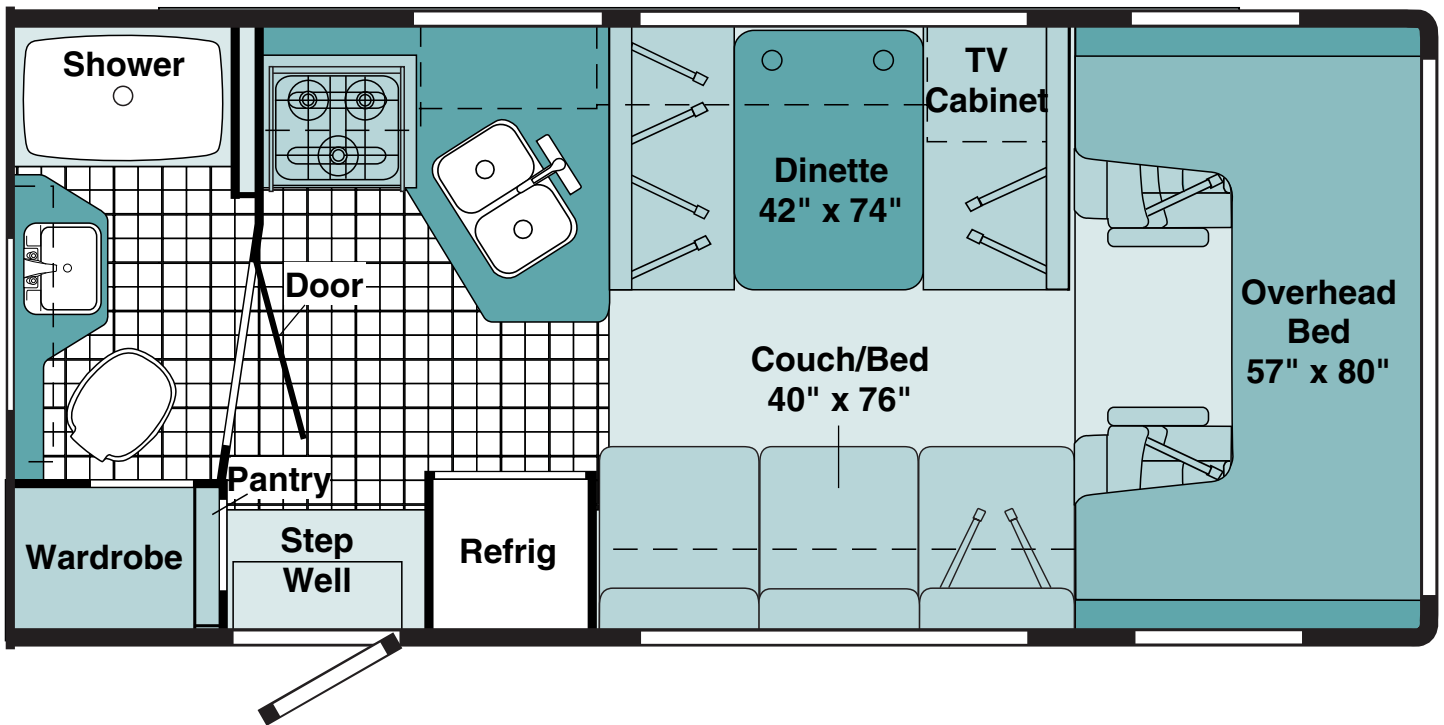


**2002 MINNIE**  
**300 SERIES**  
**PORTSMOUTH OAK**  
**N01 AQUA FROST - TEAL**  
**N02 BLUESTONE - BLUE**  
**N03 SANDSTONE - BEIGE**



# 2002 MINNIE WF322R



FLOORPLAN

# CONTENTS

<b>FLOORPLAN</b> .....	<b>2</b>
<b>ACCESSORIES GROUP</b> .....	<b>6</b>
OPERATORS MANUAL .....	6
<b>APPLIANCE GROUP</b> .....	<b>7</b>
APPLIANCES .....	7
COMPONENT PARTS FOR APPLIANCE .....	10
112881-02-03A .....	10
121568-03-01A, 121568-04-01A, 121568-05-01A .....	14
134940-01-01A .....	20
134940-02-01A .....	21
136354-01-01A, 136354-02-01A .....	22
136354-03-01A .....	23
136354-04-01A .....	24
<b>AUDIO VIDEO GROUP</b> .....	<b>25</b>
RADIO SYSTEM .....	25
TV & VCR .....	25
COMPONENT PARTS FOR TV & VCR .....	26
076319-23-000 .....	26
076319-25-000 .....	26
086231-10-000 .....	27
094487-05-000 .....	27
126696-03-000 .....	27
133377-01-000 .....	27
137135-01-000 .....	28
EXTERIOR ENTERTAINMENT .....	30
<b>BATH GROUP</b> .....	<b>31</b>
CABINETS .....	31
SHOWER .....	33
COMPONENT PARTS FOR SHOWER DOOR .....	34
135615-01-01A, 135615-02-01A, 135615-03-01A, 135615-04-01A & 135615-05-01A .....	34
<b>CHASSIS GROUP</b> .....	<b>36</b>
FRAME .....	36
EXHAUST .....	37
HITCH .....	39
REAR BUMPER .....	39
FUEL .....	40
SPARE TIRE .....	42
WHEEL, TIRE, COVERS &/OR LINERS .....	43
COMPONENT PARTS FOR WHEEL, TIRE, COVERS &/OR LINERS .....	44
091209-05-000 .....	44
109443-05-000 .....	44
110435-13-000 .....	44
<b>CURTAIN &amp; CUSHION GROUP</b> .....	<b>45</b>
NOTICE .....	45
CUSHION LAYOUT .....	46
BUCKET SEATS .....	48
SOFA .....	52
WINDOW TREATMENT .....	53
HARDWARE .....	55
ACCESSORIES .....	57
FABRICS .....	58
<b>DINETTE GROUP</b> .....	<b>59</b>
CABINETS .....	59
TABLE .....	61
<b>DRIVERS COMPARTMENT GROUP</b> .....	<b>62</b>
FRONT INTERIOR .....	62
COMPONENT PARTS FOR FRONT INTERIOR .....	63
106025-02-01A .....	63

# CONTENTS (CONTINUED)

<b>ELECTRICAL GROUP</b> .....	<b>64</b>
12V BODY WIRING .....	64
FRONT END WIRING .....	67
COMPONENT PARTS FOR LIGHTS & SWITCHES .....	68
008089-02-000 .....	68
081638-01-000 .....	68
097917-01-06A .....	68
121935-01-01A .....	68
137417-02-01A .....	68
137417-06-01A .....	68
CIRCUIT BREAKERS & FUSES .....	69
CONVERTER, INVERTER, LOAD CENTERS .....	69
110V WIRING .....	70
ENTERTAINMENT WIRING .....	71
BOXES & CORDS .....	72
WIRE ASSEMBLIES .....	72
CONNECTORS & CONDUIT .....	73
BOOTS, SOLENOIDS, RELAYS & MISCELLANEOUS .....	74
<b>EXTERIOR BODY GROUP</b> .....	<b>75</b>
GRAPHICS & PAINT .....	75
PANELS .....	76
TRIMS .....	77
LADDER .....	80
RUNNING BOARDS .....	80
COMPONENT PARTS FOR RUNNING BOARDS .....	81
072884-27-000 .....	81
072884-28-000 .....	81
MIRRORS .....	82
COMPONENT PARTS FOR MIRRORS .....	83
120269-07-01A .....	83
133908-01-01A, 133908-01-02A, 133908-02-01A, 133908-03-01A, 133908-03-02A, 133908-04-01A, 133908-05-01A, 133908-06-01A, .....	83
133908-07-01A, 133908-08-01A .....	83
133908-09-01A .....	83
STRUCTURAL COMPONENTS .....	84
AWNINGS .....	84
COMPONENT PARTS FOR AWNINGS .....	85
113874-01-02A .....	85
<b>EXTERIOR DOORS &amp; COMPARTMENTS GROUP</b> .....	<b>86</b>
DOOR & COMPARTMENT LAYOUT .....	86
COMPONENT PARTS FOR DOOR & COMPARTMENT LAYOUT .....	88
084103-08-000 .....	88
094708-03-01A .....	88
COMPARTMENT DOOR PIECE PARTS .....	89
COMPONENT PARTS FOR COMPARTMENT DOOR PIECE PARTS .....	90
110506-26-000 - 110506-27-000 - 110506-33-000 .....	90
ENTRY .....	92
COMPONENT PARTS FOR ENTRY .....	95
129676-01-000 THRU 129676-10-000 .....	95
SCREEN .....	96
LATCH - ENTRY .....	97
<b>GALLEY GROUP</b> .....	<b>98</b>
CABINETS .....	98
<b>GENERATOR GROUP</b> .....	<b>99</b>

# CONTENTS (CONTINUED)

<b>HEATING &amp; A/C GROUP</b> .....	<b>100</b>
FURNACE .....	100
COMPONENT PARTS FOR FURNACE .....	101
098668-19-000 .....	101
098668-20-000 .....	103
139980-01-000 .....	105
139980-02-000 .....	107
ROOF .....	109
COMPONENT PARTS FOR ROOF .....	110
131184-03-01A .....	110
131185-01-01A .....	111
131188-01-01A .....	112
<b>INTERIOR FINISH GROUP</b> .....	<b>113</b>
MOLDINGS & TRIMS .....	113
PANELING & LAMINATES .....	117
ACCESSORIES .....	118
COMPONENT PARTS FOR ACCESSORIES .....	119
094499-02-000 .....	119
FLOOR COVERINGS .....	120
HARDWARE .....	121
<b>LABELS GROUP</b> .....	<b>127</b>
<b>LP GROUP</b> .....	<b>152</b>
LP SYSTEM .....	152
COMPONENT PARTS FOR LP SYSTEM .....	153
080450-01-000 .....	153
097821-03-000 .....	153
<b>LOUNGE GROUP</b> .....	<b>154</b>
CABINETS .....	154
<b>SEALANTS &amp; FASTENERS GROUP</b> .....	<b>155</b>
SEALANTS & ADHESIVES .....	155
BOLTS, NUTS AND WASHERS .....	156
SCREWS .....	158
CLAMPS, CLIPS, GROMMETS, RIVETS & PLUGS .....	161
MISCELLANEOUS FASTENERS .....	162
<b>WATER &amp; SEWAGE GROUP</b> .....	<b>163</b>
DRAINAGE SYSTEM .....	163
COMPONENT PARTS FOR DRAINAGE .....	165
062415-01-000 .....	165
067487-04-000 .....	166
131932-02-02A .....	167
WATER SYSTEM .....	168
COMPONENT PARTS FOR WATER SYSTEM .....	175
051391-03-000 .....	175
098607-01-000 .....	176
110506-59-000 - 110506-59-009 .....	176
<b>WINDOW &amp; VENTS GROUP</b> .....	<b>177</b>
WINDOW & VENT LAYOUT .....	177
COMPONENT PARTS FOR WINDOWS & VENT LAYOUT .....	179
098647-27-02A .....	179
098647-28-02A .....	180
098647-31-02A .....	180
098647-32-02A .....	180
112795-68-01A .....	181
112795-69-01A .....	182
112795-72-01A .....	182
112795-73-01A .....	182
113733-04-01A, 113733-10-01A, 113733-11-01A .....	183
115630-03-01A .....	183
122882-01-01A .....	183
122882-02-01A, 122882-03-01A .....	183
123780-01-01A .....	184

## ACCESSORIES GROUP

### OPERATORS MANUAL

KEY	PART NUMBER	U/M	DESCRIPTION
	132000-03-002	EA	MANUAL/OWNER - MINNIE - 2000
	129079-01-01A	EA	CASE - VINYL/BLACK-EXPANDABLE ACCORDION SIDES-7"WX9"HX14"L
	137488-01-000	DW	TOP LEVEL-C,2002

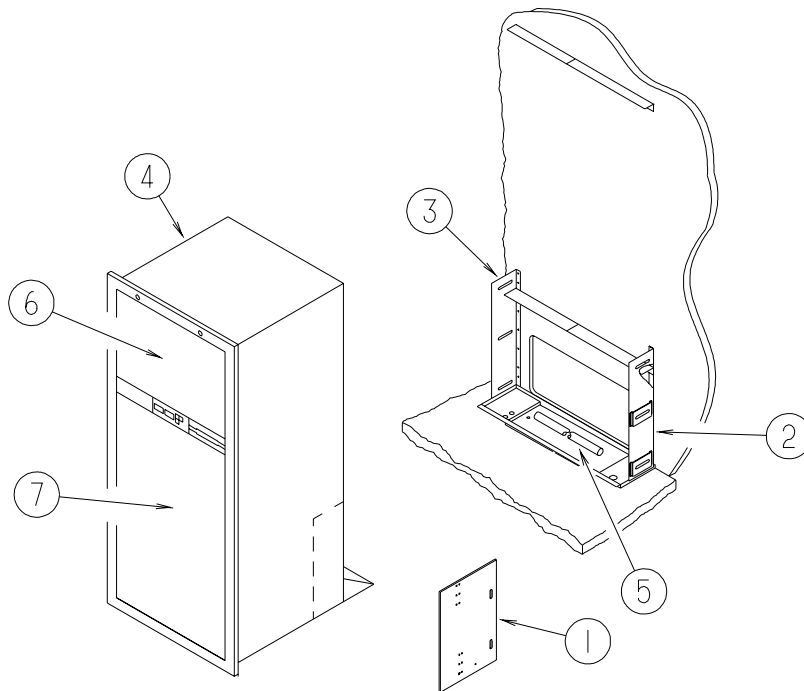
# APPLIANCE GROUP

## APPLIANCES

KEY	PART NUMBER	U/M	DESCRIPTION
*	112881-02-03A	EA	RANGE - 16" - 3 BURNER - FRONT HI-OUTPUT BRNR - BLK TOP/DR
	105458-03-000	EA	BRACKET - STOVE TIEDOWN - RIGHT HAND - <a href="#">322R</a> , <a href="#">324F</a> , <a href="#">324V</a> , <a href="#">329N</a> , <a href="#">331C</a>
	105458-04-000	EA	BRACKET - STOVE TIEDOWN - LEFT HAND - <a href="#">322R</a> , <a href="#">324F</a> , <a href="#">324V</a> , <a href="#">329N</a> , <a href="#">331C</a>
	116884-01-01B	EA	BRACKET - TIE DOWN - <a href="#">322E</a>
	116884-02-01B	EA	BRACKET - TIE DOWN - <a href="#">322E</a>
	140176-07-01B	EA	BRACKET/TIEDOWN - STOVE - <a href="#">329B</a>
	140176-08-01B	EA	BRACKET/TIEDOWN - STOVE - <a href="#">329B</a>
*	121568-03-01A	EA	REFRIGERATOR-SMALL DBL DR/RH-52.8"HX23.5"WX14"D-2-WAY BLK - <a href="#">329B</a> , <a href="#">329N</a> , <a href="#">331C</a>
*	121568-04-01A	EA	REFRIGERATOR - SMALL DOUBLE DOOR/LEFT HAND - 2-WAY - BLACK - <a href="#">322E</a> , <a href="#">322R</a> , <a href="#">324F</a> , <a href="#">324V</a>
*	134940-01-01A	EA	PANEL - MONITOR - 2 TANK - W/GENERATOR SWITCH/HOUR METER
*	134940-02-01A	EA	PANEL - MONITOR - 2 TANK - W/O GENERATOR SWITCH/HOUR METER
	133713-08-08A	EA	SPACER - MONITOR - VINYL - PORTSMOUTH OAK
*	136354-01-01A	EA	HOOD - RANGE - W/LITE/FAN - US/VENTED - <a href="#">322R</a> , <a href="#">324F</a> , <a href="#">324V</a> , <a href="#">329B</a> , <a href="#">329N</a> , <a href="#">331C</a>
*	136354-02-01A	EA	HOOD - RANGE - W/LITE/FAN - CSA/VENTED - <a href="#">322R</a> , <a href="#">324F</a> , <a href="#">324V</a> , <a href="#">329B</a> , <a href="#">329N</a> , <a href="#">331C</a>
*	136354-03-01A	EA	HOOD - RANGE - W/LITE/FAN - US/NON VENTED - CHARCOAL - <a href="#">322E</a>
*	136354-04-01A	EA	HOOD - RANGE - W/LITE/FAN - CSA/NON VENTED - CHARCOAL - <a href="#">322E</a>

\*COMPONENT PARTS LISTED LATER IN THIS GROUP

**APPLIANCE GROUP (CONTINUED)**  
**APPLIANCES (CONTINUED)**



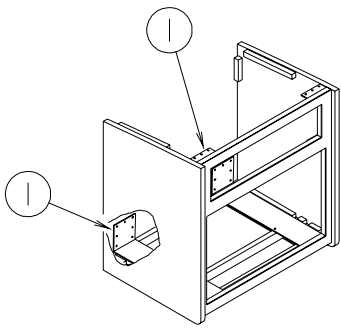
KEY	PART NUMBER	U/M	DESCRIPTION
1	065225-04-000	EA	PLATE - TIEDOWN/REFRIGERATOR
2	093646-01-000	EA	BRACKET - TIEDOWN/REFRIGERATOR - RIGHT HAND
3	093646-02-000	EA	BRACKET - TIEDOWN/REFRIGERATOR - LEFT HAND
4*	121568-03-01A	EA	REFRIGERATOR-SMALL DBL DR/RH-52.8"HX23.5"WX14"D-2-WAY BLK - <a href="#">329B</a> , <a href="#">329N</a> , <a href="#">331C</a>
4*	121568-04-01A	EA	REFRIGERATOR - SMALL DOUBLE DOOR/LEFT HAND - 2-WAY - BLACK - <a href="#">322E</a> , <a href="#">322R</a> , <a href="#">324F</a> , <a href="#">324V</a>
5	112176-01-000	FT	TUBING - VINYL - REINFORCED - 1/2" ID
6			NOT USED IN THIS UNIT
7			NOT USED IN THIS UNIT
	090329-01-000	FT	SEAL/T - REFRIGERATOR CABINET
	054450-01-000	EA	LEVEL - REFRIGERATOR
	116751-01-01A	EA	TRAY - REFRIGERATOR - BLACK - <a href="#">322E</a> , <a href="#">322R</a> , <a href="#">324V</a>
	116751-02-01A	EA	TRAY - REFRIGERATOR - BLACK - <a href="#">329B</a> , <a href="#">329N</a> , <a href="#">331C</a>
	116751-04-01A	EA	TRAY - REFRIGERATOR - BLACK - <a href="#">324F</a>
	116751-05-01A	EA	TRAY - REFRIGERATOR - BLACK - <a href="#">329B</a>

FROM: 11-26-01 THRU: 99-99-99

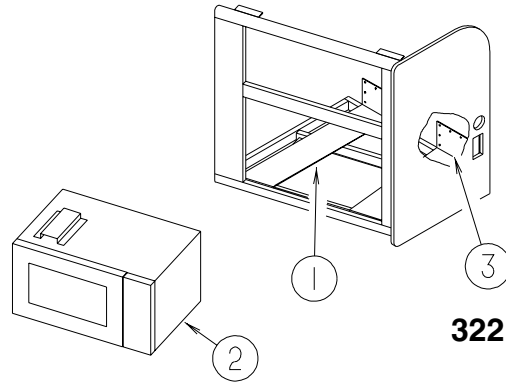
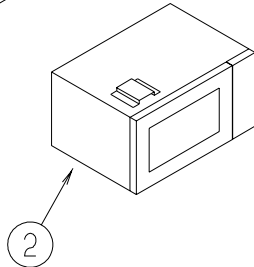
**\*COMPONENT PARTS LISTED LATER IN THIS GROUP**



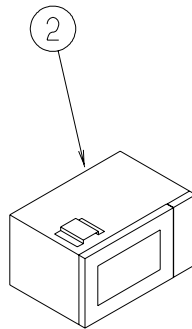
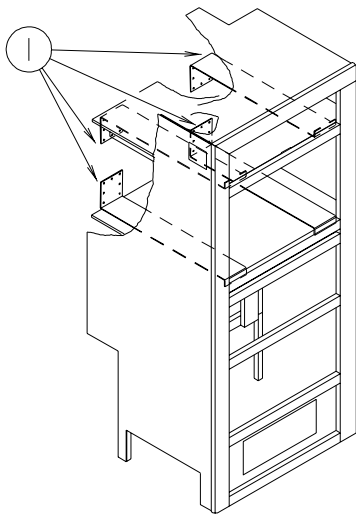
**APPLIANCE GROUP (CONTINUED)**  
**APPLIANCES (CONTINUED)**



**322R, 324F, 329B, 329N**



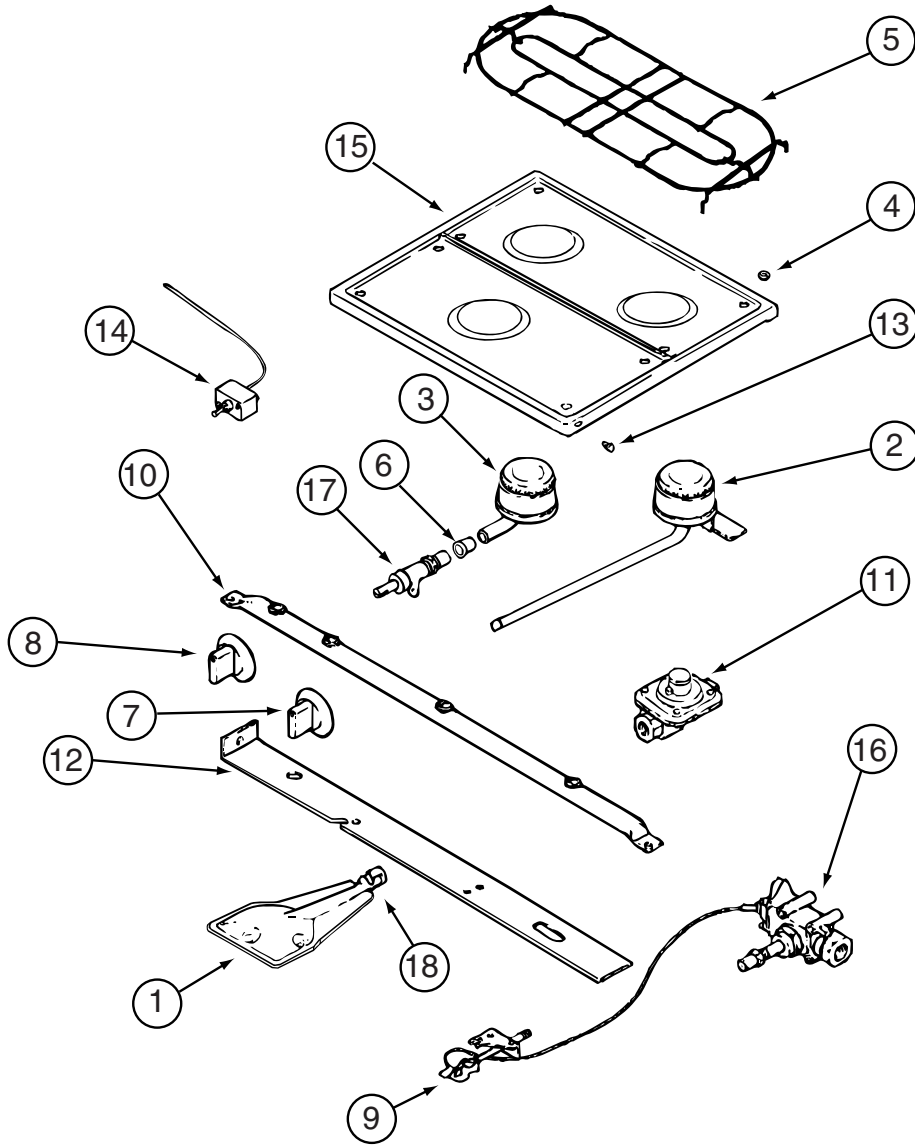
**322E, 324V**



**331C**

KEY	PART NUMBER	U/M	DESCRIPTION
1	094750-10-000	EA	BRACKET - MICROWAVE - 89 DEGREE - 322R, 324F, 324V, 329B, 329N
	094750-11-000	EA	BRACKET - MICROWAVE - 89 DEGREE - 331C
1	116843-03-02B	EA	BRACKET - MICROWAVE - 322E
2	128527-06-000	EA	OVEN - MICROWAVE W/TRIM KIT- 1 CU.FT.- NON CONVECTION
	128642-03-000	EA	TRIM KIT W/VENT- MICROWAVE .9 CU.FT. - SAMSUNG - 2.1" HIGH
3	128711-01-02B	EA	BRACKET - MICROWAVE - 322E
	098916-24-02B	EA	BRACE - MICROWAVE CABINET - LEFT HAND - 329N
	098916-25-02B	EA	BRACE - MICROWAVE CABINET - RIGHT HAND - E-COATED - 329N
	098916-26-02B	EA	BRACE - MICROWAVE CABINET - LEFT HAND - 322R, 324V
	098916-27-02B	EA	BRACE - MICROWAVE CABINET - RIGHT HAND - E-COATED - 322R, 324V
	098916-28-02B	EA	BRACE - MICROWAVE CABINET - LEFT HAND - 322E
	098916-29-02B	EA	BRACE - MICROWAVE CABINET - RIGHT HAND - E-COATED - 322E
	098916-33-02B	EA	BRACE - MICROWAVE CABINET - LEFT HAND - E-COATED - 324F, 329B
	098916-34-02B	EA	BRACE - MICROWAVE CABINET - RIGHT HAND - E-COATED - 324F, 329B

**APPLIANCE GROUP (CONTINUED)**  
**COMPONENT PARTS FOR APPLIANCE**



112881-02-03A

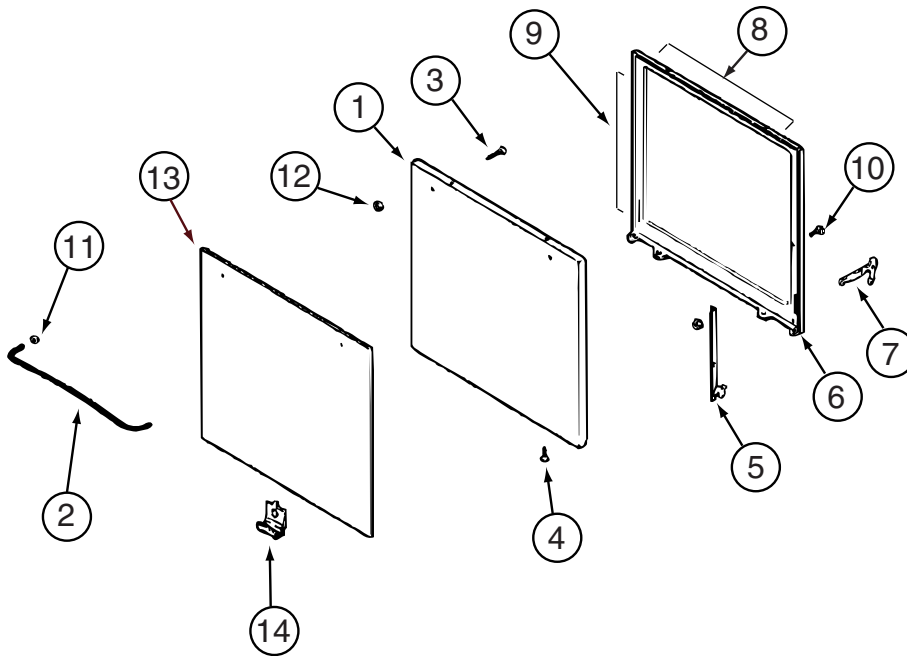
**APPLIANCE GROUP (CONTINUED)**  
**COMPONENT PARTS FOR APPLIANCE (CONTINUED)**

**112881-02-03A (CONTINUED)**

<b>KEY</b>	<b>PART NUMBER</b>	<b>U/M</b>	<b>DESCRIPTION</b>	<b>VENDOR NO.</b>
1	126023-01-717	EA	BURNER - OVEN	74003343
2	112881-01-717	EA	BURNER, TOP REAR	7505P181-60
3	112881-02-703	EA	BURNER - FRONT HIGH OUTPUT	7505P142-60
4	102020-01-709	EA	BUMPER-GRATE	8007-P020-60
5	126023-01-730	EA	GRATE - TOP	74003358
6	098507-02-701	EA	INSERT-BURNER, SLOTTED VENT	7214P015-60
7	112881-01-718	EA	KNOB - TOP BURNER HI-OUTPUT	74001794
7	112881-01-705	EA	KNOB-TOP BURNER	7733P072-60
8	126023-02-700	EA	KNOB - THERMOSTAT - SERIES 11	74004359
8	126023-01-704	EA	KNOB - THERMOSTAT - SERIES 10	7731P109-60
9	126023-02-701	EA	PILOT - OVEN - SERIES 11	74004586
9	102020-01-714	EA	PILOT-OVEN - SERIES 10	968-143
10	126023-02-702	EA	PIPE - MANIFOLD - SERIES 11	74004360
10	126023-01-705	EA	PIPE - MANIFOLD - SERIES 10	7513P161-60
11	126023-02-703	EA	REGULATOR - PRESSURE - SERIES 11	74004235
11	128728-01-712	EA	FITTING HALF UNION - SERIES 11	7507P083-60
11	102022-01-708	EA	REGULATOR, 1/4 & 1/2 OUT - SERIES 10	7510P04160/12001285
13	102020-01-724	EA	BUMPER-MAIN TOP	8003P008-60
14	126023-01-734	EA	THERMOSTAT OVEN - SERIES 11	74004361
14	112881-01-722	EA	THERMOSTAT SER. - SERIES 10	7515P029-60K
15	126023-01-728	EA	TOP - MAIN (BLACK)	74003323
16	126023-02-704	EA	VALVE/OVEN - MERCURY - SERIES 11	74004585
16	112881-02-700	EA	VALVE - OVEN - SERIES 10	7501P056-60
17	126023-02-705	EA	VALVE -BURNER - REAR - SERIES 11	74004362
17	126023-02-706	EA	VALVE - BURNER -FRONT - SERIES 11	74004363
17	126023-01-709	EA	VALVE - BURNER (REAR) - SERIES 10	74003348
17	126023-01-710	EA	VALVE - BURNER (FRONT) - SERIES 10	74003349
18	135656-01-701	EA	MIXER/AIR	3411F003-34
	128728-01-712	EA	FITTING - HALF UNION	7507P083-60



**APPLIANCE GROUP (CONTINUED)**  
**COMPONENT PARTS FOR APPLIANCE (CONTINUED)**

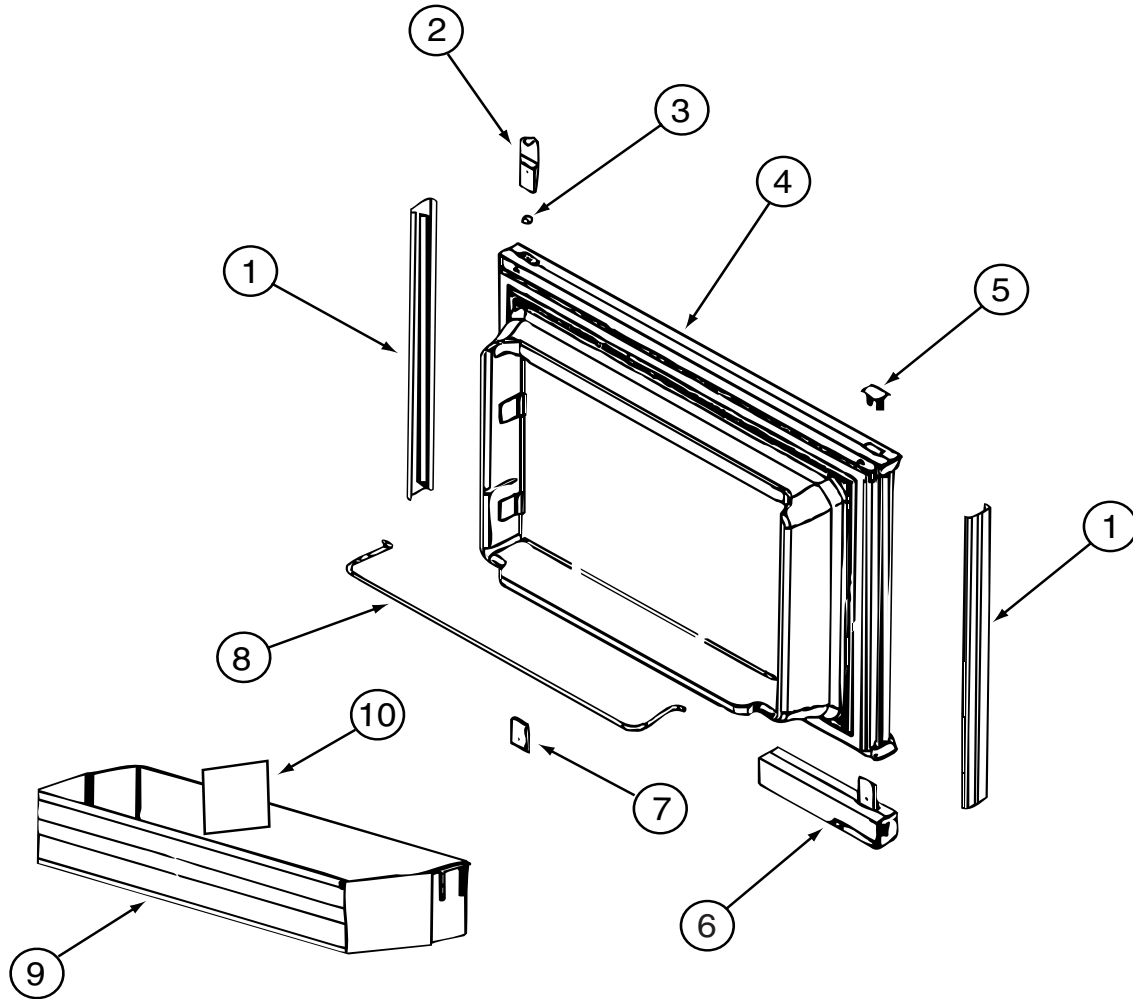


**112881-02-03A (CONTINUED)**

KEY	PART NUMBER	U/M	DESCRIPTION	VENDOR NO.
1	112881-02-705	EA	DOOR/OVEN-TEXT/BLK-F/WINDOW	74001273
1	112881-01-713	EA	DOOR/OVEN-TEXT/BLK NO WINDOW	2401F126-70
2	102020-01-701	EA	HANDLE,DOOR	7701P092-60
8	126023-01-732	EA	SEAL/OVEN DR TOP	7212P014-60
9	126023-01-733	EA	SEAL/OVEN DR SIDES(2PCS)	7212P038-60
13	102022-01-704	EA	GLASS-OUTER	7902P261-60

CONTACT WINNEBAGO PART SALES FOR UNLISTED COMPONENTS

**APPLIANCE GROUP (CONTINUED)**  
**COMPONENT PARTS FOR APPLIANCE (CONTINUED)**

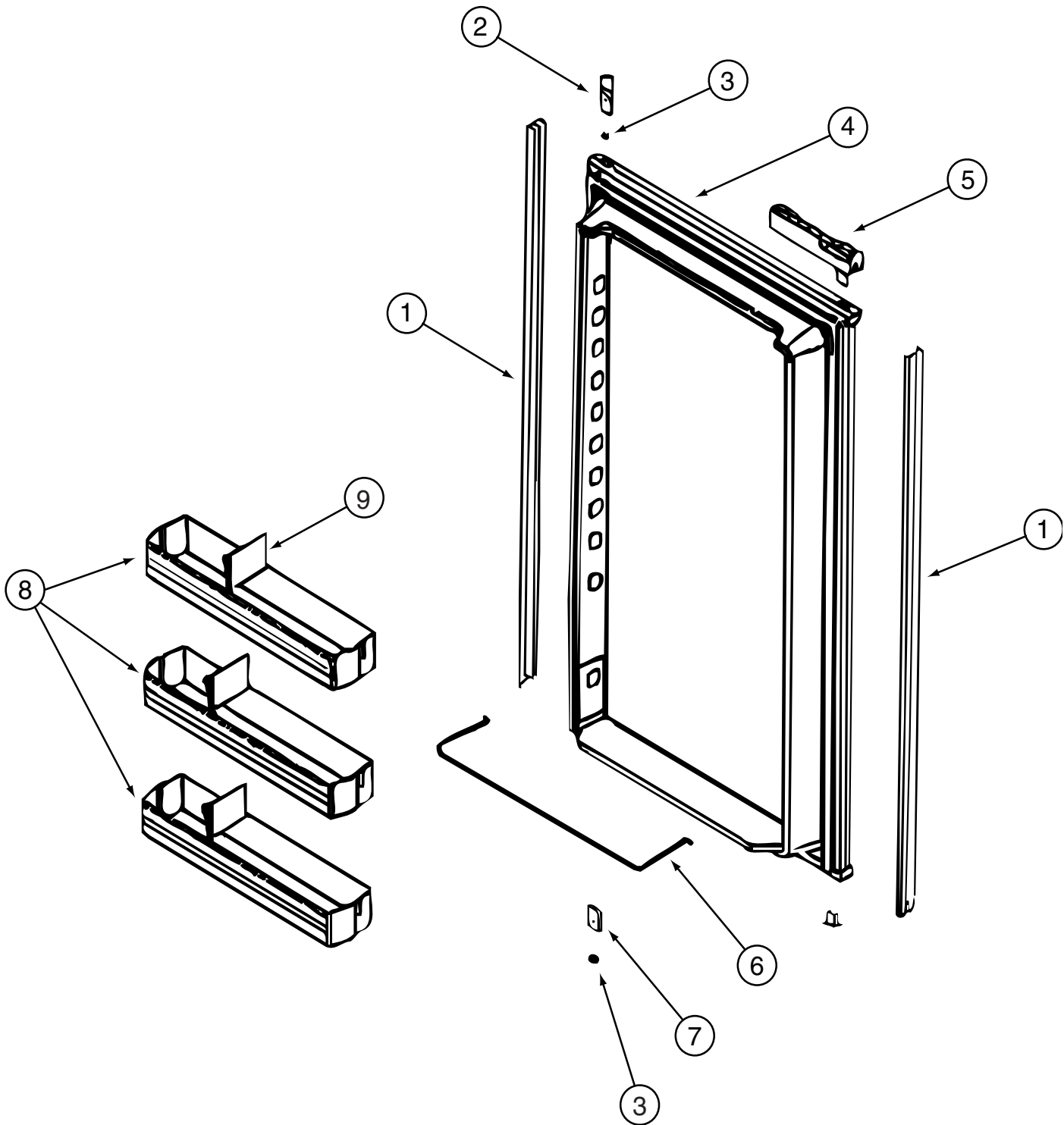


121568-03-01A, 121568-04-01A, 121568-05-01A

KEY	PART NUMBER	U/M	DESCRIPTION	VENDOR NO.
1	121568-03-700	EA	RETAINER - DOOR PANEL/BLACK	619558
1	121568-03-706	EA	RETAINER - DOOR PANEL/BLACK	619559
2	120075-01-701	EA	HINGE-TOP RH/BOTTOM LH(DOOR)	618511
4	121568-03-702	EA	DOOR LINER - W/TRIM/BLACK	619627 - SMALL DOOR
5	120075-01-702	EA	CAP, (HINGE PLUG)	618160
6	121568-03-703	EA	HANDLE/FLUSH-TOP/RH-LWR/LH	619865
6	121568-03-708	EA	HANDLE/FLUSH-TOP/LH-LWR/RH	619866
7	120075-01-705	EA	HINGE-TOP LH/BOTTOM RH(DOOR)	618510
	121568-03-704	EA	TRAVEL LATCH - GRAY	619647
	121568-03-705	EA	STORAGE LATCH - GRAY	619648

CONTACT WINNEBAGO PART SALES FOR UNLISTED COMPONENTS

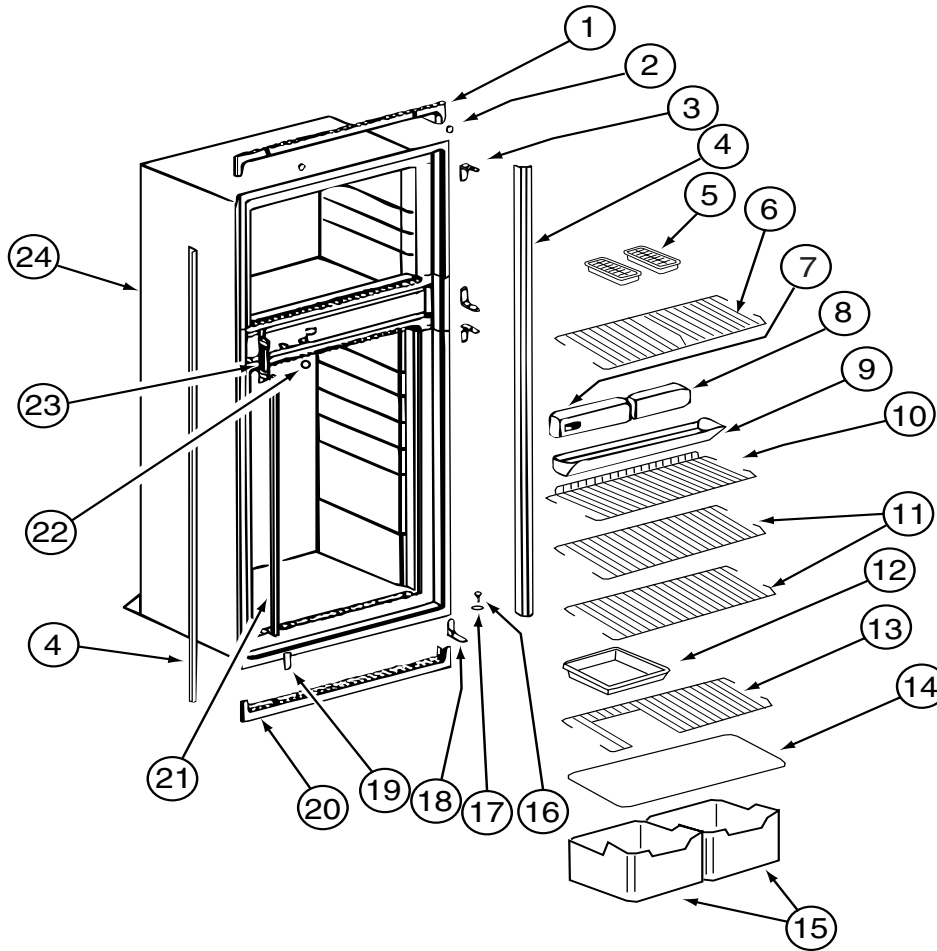
**APPLIANCE GROUP (CONTINUED)**  
**COMPONENT PARTS FOR APPLIANCE (CONTINUED)**



**121568-03-01A, 121568-04-01A, 121568-05-01A (CONTINUED)**

KEY	PART NUMBER	U/M	DESCRIPTION	VENDOR NO.
1	121568-03-706	EA	RETAINER - DOOR PANEL/BLACK	619559
2	120075-01-701	EA	HINGE-TOP RH/BOTTOM LH(DOOR)	618511
3	121568-03-701	EA	BUSHING - HINGE PIN/GRAY	619671
4	121568-03-707	EA	DOOR LINER - BLACK	619629
5	121568-03-703	EA	HANDLE ASM TOP/RH-LWR/LH BLK	619865
5	121568-03-708	EA	HANDLE ASM - TOP/LH-LWR/RH	619866
6	121568-01-704	EA	RAIL - DOOR LOWER	618578
7	120075-01-705	EA	HINGE-TOP LH/BOTTOM RH(DOOR)	618510
8	121568-01-701	EA	BIN - DOOR WHITE	618619

**APPLIANCE GROUP (CONTINUED)**  
**COMPONENT PARTS FOR APPLIANCE (CONTINUED)**



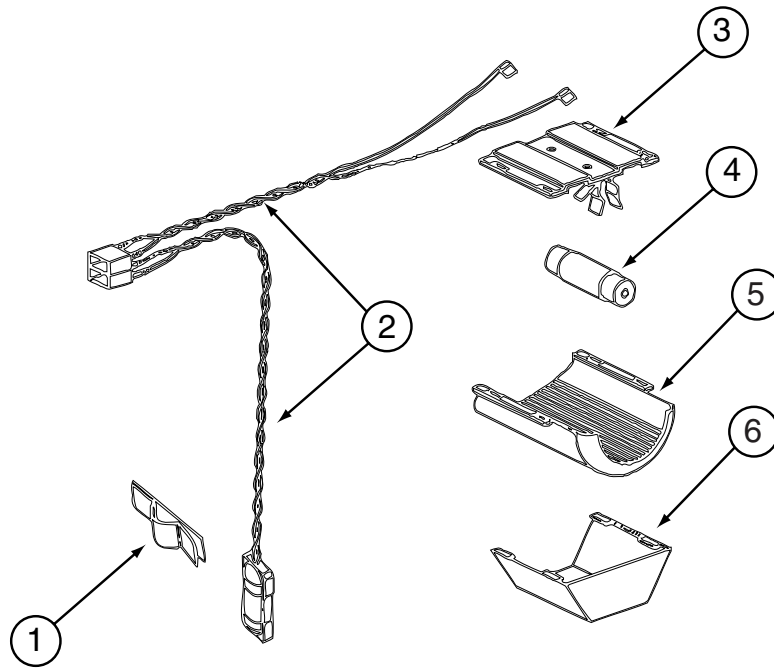
**121568-03-01A, 121568-04-01A, 121568-05-01A (CONTINUED)**

KEY	PART NUMBER	U/M	DESCRIPTION	VENDOR NO.
1	121568-03-709	EA	TRIM - TOP/BLACK	619687
2	120075-01-714	EA	PLUG-HOLE	618170
3	121568-03-710	EA	HINGE/CABINET-TOP/RH-LWR/LH	619335
4	121568-03-711	EA	TRIM - SIDE/BLACK	619801
6	121568-03-712	EA	SHELF - WIRE/FREEZER	20250
7	121568-03-714	EA	CONTROL ASM - 2 WAY BLACK	619350
8	121568-03-713	EA	FRONT BOX/DECORATIVE-BLACK	619282
9	120075-01-720	EA	TRAY-DRIP	618137
10	121568-01-707	EA	SHELF - WIRE - SHORT	618624
11	121568-01-708	EA	SHELF - WIRE	618589
14	120075-01-725	EA	COVER-CRISPER	618158
15	121568-01-709	EA	CRISPER	618571
16	120075-01-727	EA	PIN-HINGE	618145
18	121568-03-715	EA	HINGE/CABINET-TOP/LH-LWR/RH	619336
19	121568-03-716	EA	COVER - HINGE HOLES	619301
20	120075-01-729	EA	TRIM-BOTTOM PIECE	618136
21	120075-01-730	EA	RETAINER-SHELF	618181
22	121568-03-717	EA	HOLE PLUG - WHITE	619561
23	120075-01-732	EA	PLATE-STRIKE	618167
24	121568-03-718	EA	CABINET - FOAMED - N62	619658
	120075-01-721	EA	LOUVER-DRIP TRAY	618176

CONTACT WINNEBAGO PART SALES FOR UNLISTED COMPONENTS



**APPLIANCE GROUP (CONTINUED)**  
**COMPONENT PARTS FOR APPLIANCE (CONTINUED)**

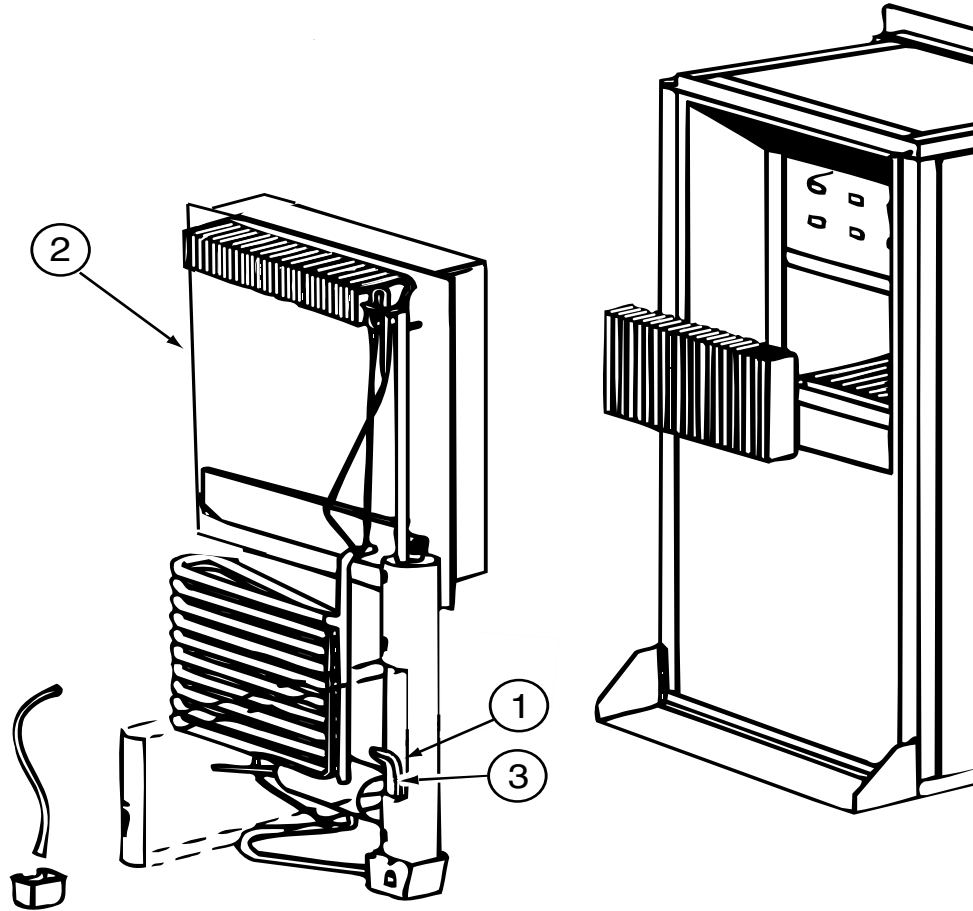


121568-03-01A, 121568-04-01A, 121568-05-01A (CONTINUED)

KEY	PART NUMBER	U/M	DESCRIPTION	VENDOR NO.
1	084880-01-760	EA	CLIP (THERMISTER)	61689122
2	120075-01-735	EA	THERMISTER W/LAMP & WIRE/ASM	618548
3	084880-03-705	EA	BRACKET-LIGHT-INTERIOR	61629722
4	084880-03-706	EA	BULB-LAMP	61628922
6	084880-03-707	EA	COVER-LAMP, LENS	61627922

CONTACT WINNEBAGO PART SALES FOR UNLISTED COMPONENTS

**APPLIANCE GROUP (CONTINUED)**  
**COMPONENT PARTS FOR APPLIANCE (CONTINUED)**

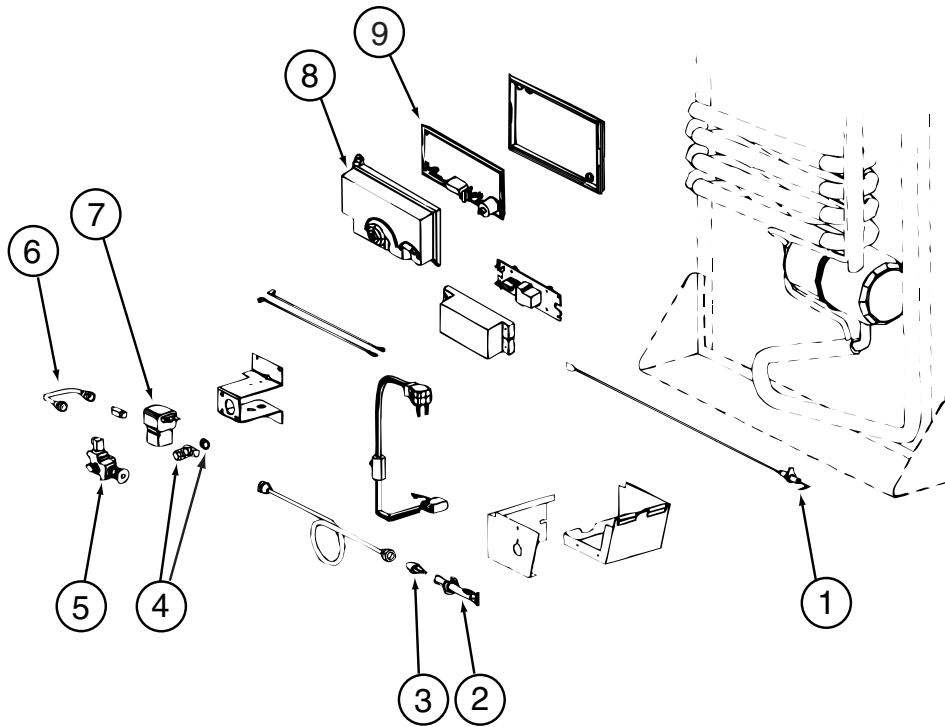


121568-03-01A, 121568-04-01A, 121568-05-01A (CONTINUED)

KEY	PART NUMBER	U/M	DESCRIPTION	VENDOR NO.
2	120076-01-704	EA	COOLING UNIT, SERVICE PACK	618543
3	088248-01-709	EA	HEATER-AC (HORIZONTAL)	61562722
	120075-01-744	EA	KIT - GAS VALVE/BURNER TUBE	620609

CONTACT WINNEBAGO PART SALES FOR UNLISTED COMPONENTS

**APPLIANCE GROUP (CONTINUED)**  
**COMPONENT PARTS FOR APPLIANCE (CONTINUED)**

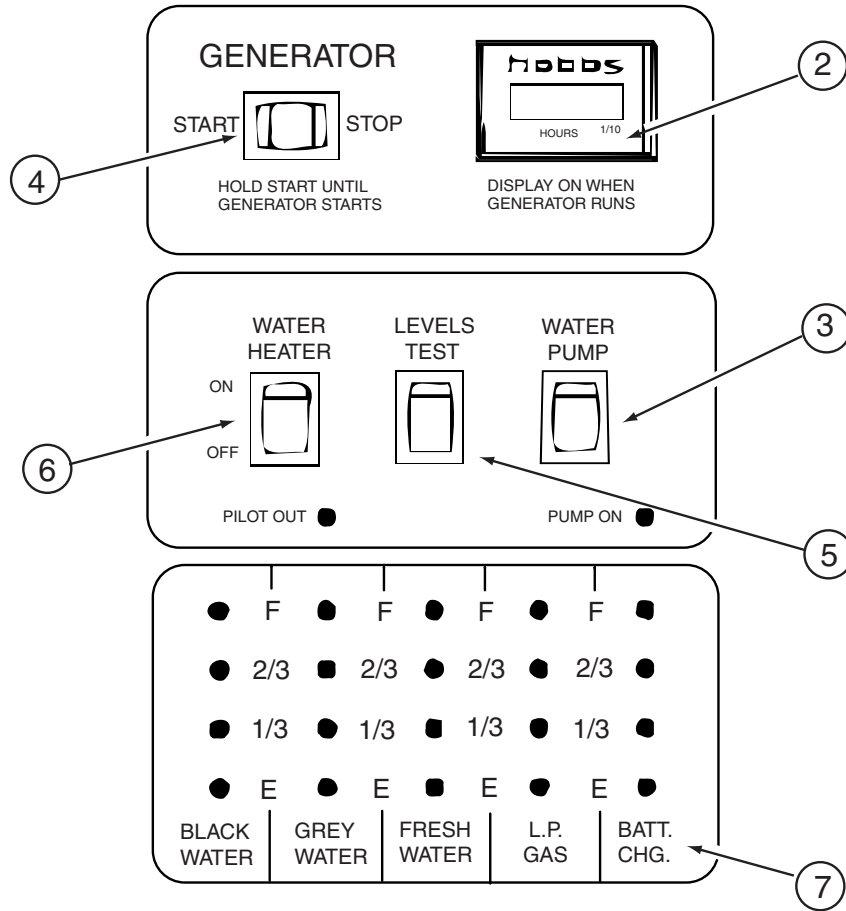


**121568-03-01A, 121568-04-01A, 121568-05-01A (CONTINUED)**

KEY	PART NUMBER	U/M	DESCRIPTION	VENDOR NO.
1	104137-06-715	EA	ELECTRODE-SPARK/SENSOR, SGL	61692222
2	104137-06-714	EA	BURNER ASSEMBLY, 5-SLOT	61705222
3	120076-01-705	EA	ORIFICE - JEWEL .015	618283
4	113737-01-702	EA	PLUG 1/8" F/PRESSURE TAP	61445322
4	113737-01-716	EA	TAP-PRESSURE	61594422
6	113737-01-750	EA	TUBE-UNION	61694622
7	084880-01-718	EA	VALVE-GAS, (ASCO)	61551822
8	120075-01-738	EA	COVER-POWER BOARD	618185
9	121568-03-719	EA	POWER - BOARD - 2-WAY	619353
	121568-03-720	EA	VALVE/SHUT OF-MANUAL ELECT	618696

CONTACT WINNEBAGO PART SALES FOR UNLISTED COMPONENTS

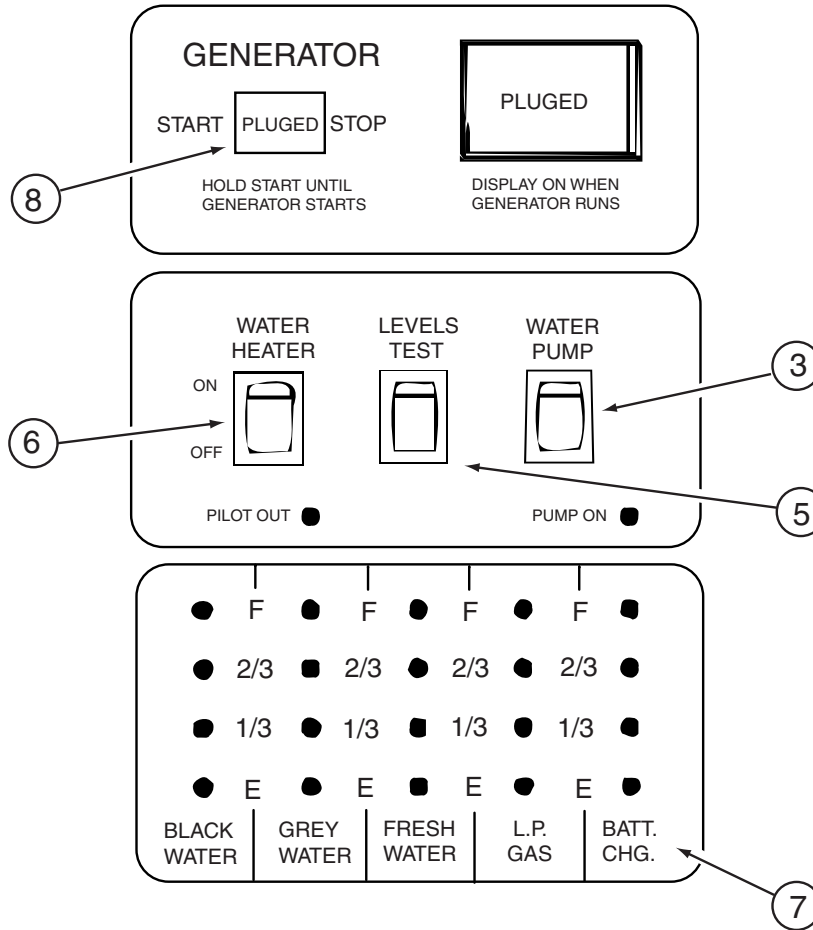
**APPLIANCE GROUP (CONTINUED)**  
**COMPONENT PARTS FOR APPLIANCE (CONTINUED)**



**134940-01-01A**

KEY	PART NUMBER	U/M	DESCRIPTION	VENDOR NO.
	134940-01-700	EA	BOARD - PC	L5118
2	100258-10-701	EA	GAUGE-HOUR MTR-CLIP ON (LCD)	L0775-00
3	096983-01-703	EA	SWITCH - ON/ON	L0115-00
4	096983-01-702	EA	SWITCH - MOM/OFF/MOM/3 TERM	L0112-00
5	096983-01-701	EA	SWITCH - SPST/MOM 2 TERMINAL	L0111-00
6	134940-01-701	EA	SWITCH-SPST/ON-OFF/BLK W/LGT	L0109
7	134940-01-702	EA	CHASSIS - SILKSCREENED	CC0558-00
	100258-10-702	EA	HOUR METER(CLIP ON)SW & WIRE	L4441-00

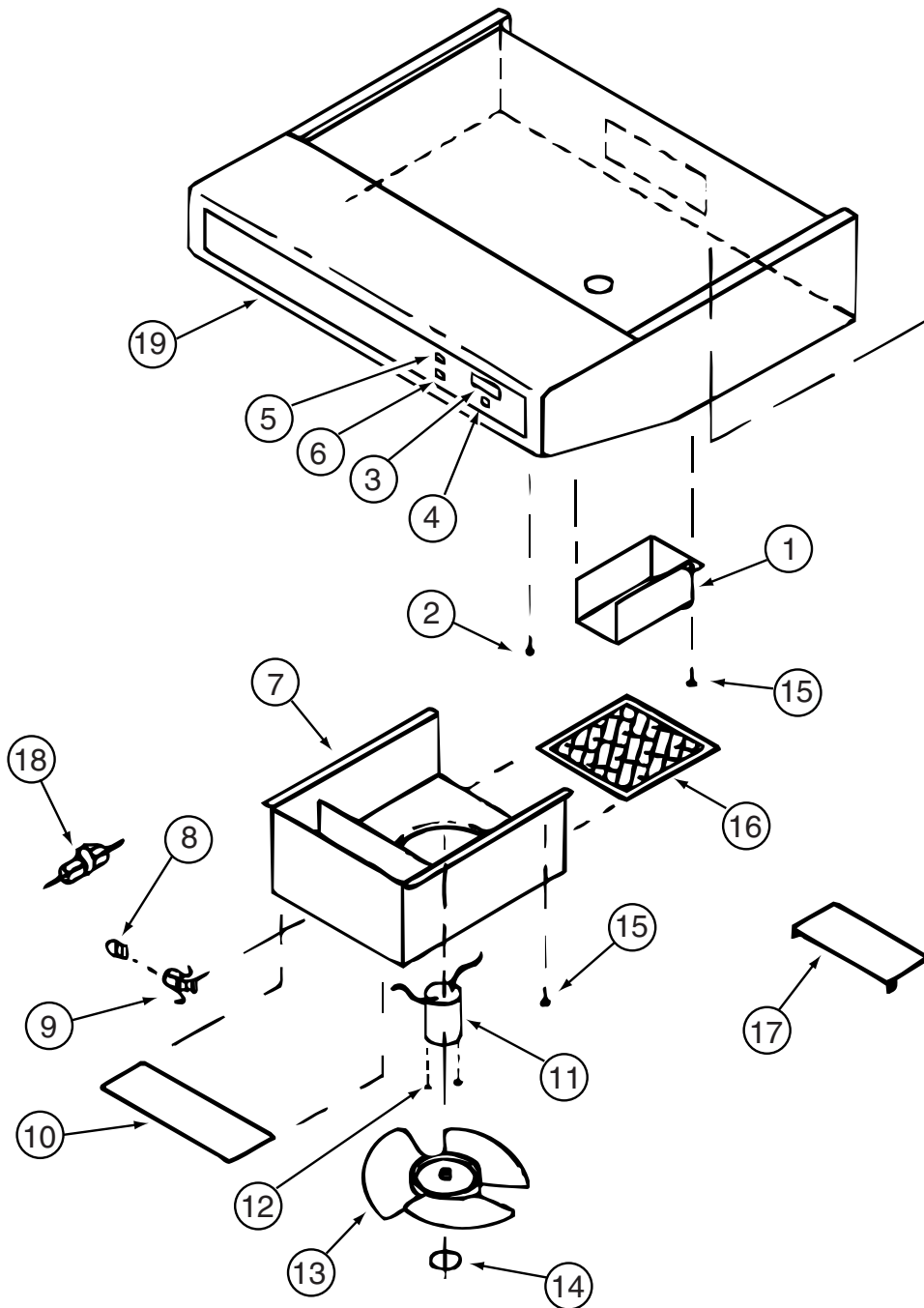
**APPLIANCE GROUP (CONTINUED)**  
**COMPONENT PARTS FOR APPLIANCE (CONTINUED)**



**134940-02-01A**

KEY	PART NUMBER	U/M	DESCRIPTION	VENDOR NO.
	134940-01-700	EA	BOARD - PC	L5118
3	096983-01-703	EA	SWITCH - ON/ON	L0115-00
5	096983-01-701	EA	SWITCH - SPST/MOM 2 TERMINAL	L0111-00
6	134940-01-701	EA	SWITCH-SPST/ON-OFF/BLK W/LGT	L0109
7	134940-01-702	EA	CHASSIS - SILKSCREENED	CC0558-00
8	134940-02-700	EA	SWITCH - DUMMY	L0118

**APPLIANCE GROUP (CONTINUED)**  
**COMPONENT PARTS FOR APPLIANCE (CONTINUED)**

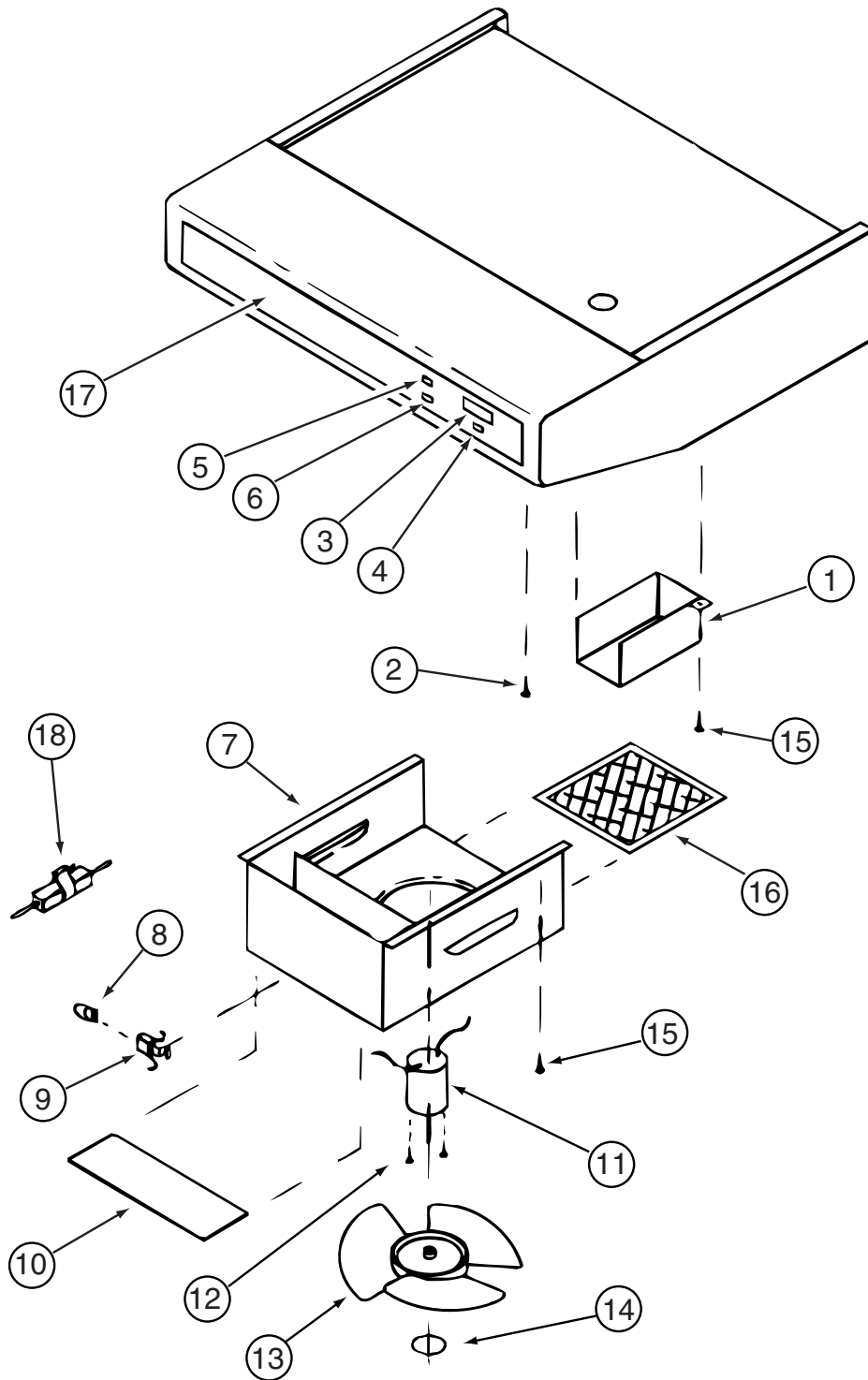


136354-01-01A, 136354-02-01A

KEY	PART NUMBER	U/M	DESCRIPTION	VENDOR NO.
4	096983-01-702	EA	SWITCH - MOM/OFF/MOM/3 TERM	L0112-0
6	096983-01-700	EA	SWITCH - ON/OFF	L0108-00
8	092696-01-709	EA	LAMP #912	VA415
9	092696-01-710	EA	HOLDER-LAMP	CB267-2
10	092696-02-701	EA	LENS-LAMP	CC179-2
11	090973-01-700	EA	MOTOR-12 VOLT, CSA & UL	CA508-1
13	090973-01-702	EA	BLADE-FAN	VA183-1
16	096983-01-707	EA	FILTER-MESH	CC246
17	100258-01-701	EA	DAMPER ASSEMBLY	CAO-565-00
19	136354-01-700	EA	OVERLAY	CE0110-00

CONTACT WINNEBAGO PART SALES FOR UNLISTED COMPONENTS

**APPLIANCE GROUP (CONTINUED)**  
**COMPONENT PARTS FOR APPLIANCE (CONTINUED)**

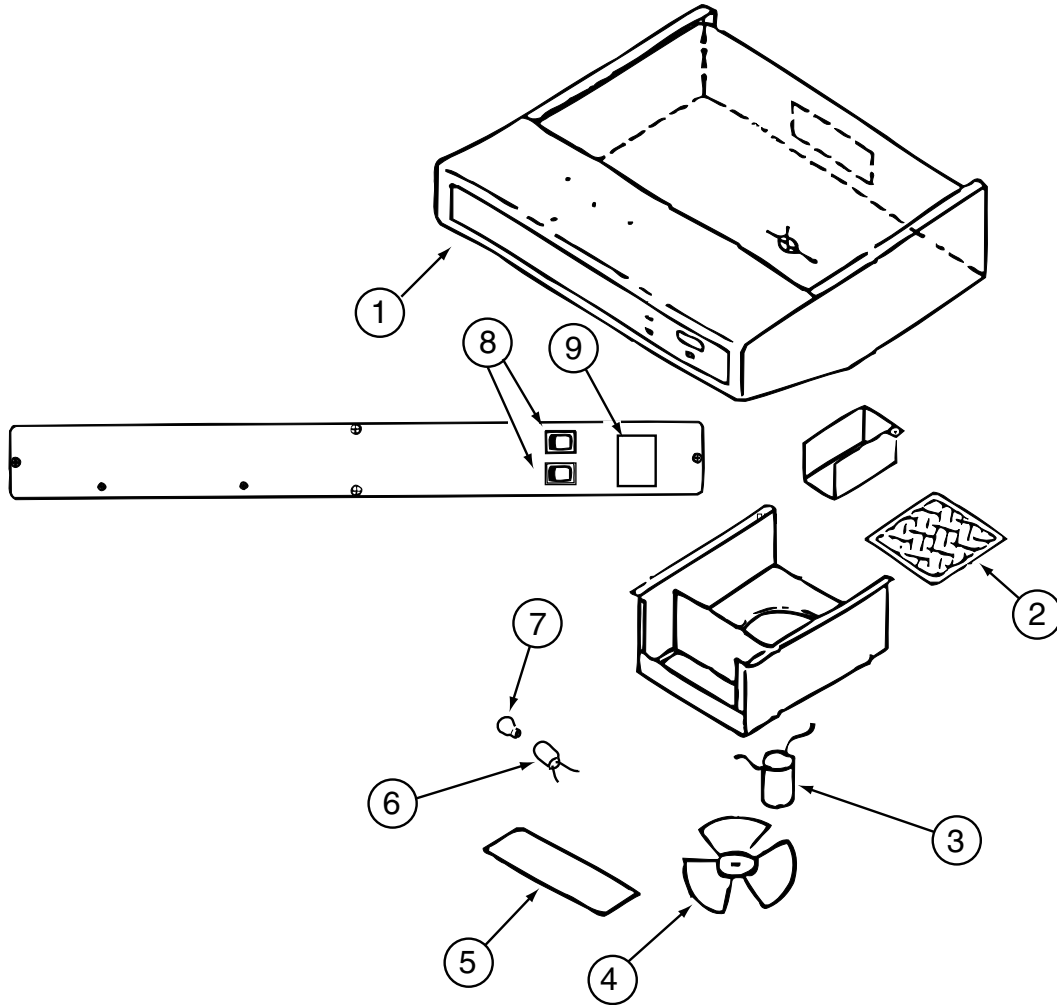


136354-03-01A

KEY	PART NUMBER	U/M	DESCRIPTION	VENDOR NO.
4	096983-01-702	EA	SWITCH - MOM/OFF/MOM/3 TERM	L0112-00
6	096983-01-700	EA	SWITCH - ON/OFF	L0108-00
8	092696-01-709	EA	LAMP #912	VA415
9	092696-01-710	EA	HOLDER-LAMP	CB267-2
10	092696-02-701	EA	LENS-LAMP	CC179-2
11	090973-01-700	EA	MOTOR-12 VOLT, CSA & UL	CA508-1
13	090973-01-702	EA	BLADE-FAN	VA183-1
16	096983-01-707	EA	FILTER-MESH	CC246
17	136354-01-700	EA	OVERLAY	CE0110-00

CONTACT WINNEBAGO PART SALES FOR UNLISTED COMPONENTS

**APPLIANCE GROUP (CONTINUED)**  
**COMPONENT PARTS FOR APPLIANCE (CONTINUED)**



136354-04-01A

KEY	PART NUMBER	U/M	DESCRIPTION	VENDOR NO.
4	096983-01-702	EA	SWITCH - MOM/OFF/MOM/3 TERM	L0112-00
6	096983-01-700	EA	SWITCH - ON/OFF	L0108-00
8	092696-01-709	EA	LAMP #912	VA415
9	092696-01-710	EA	HOLDER-LAMP	CB267-2
10	092696-02-701	EA	LENS-LAMP	CC179-2
11	090973-01-700	EA	MOTOR-12 VOLT, CSA & UL	CA508-1
13	090973-01-702	EA	BLADE-FAN	VA183-1
16	096983-01-707	EA	FILTER-MESH	CC246
17	136354-01-700	EA	OVERLAY	CE0110-00

CONTACT WINNEBAGO PART SALES FOR UNLISTED COMPONENTS



## AUDIO VIDEO GROUP

### RADIO SYSTEM

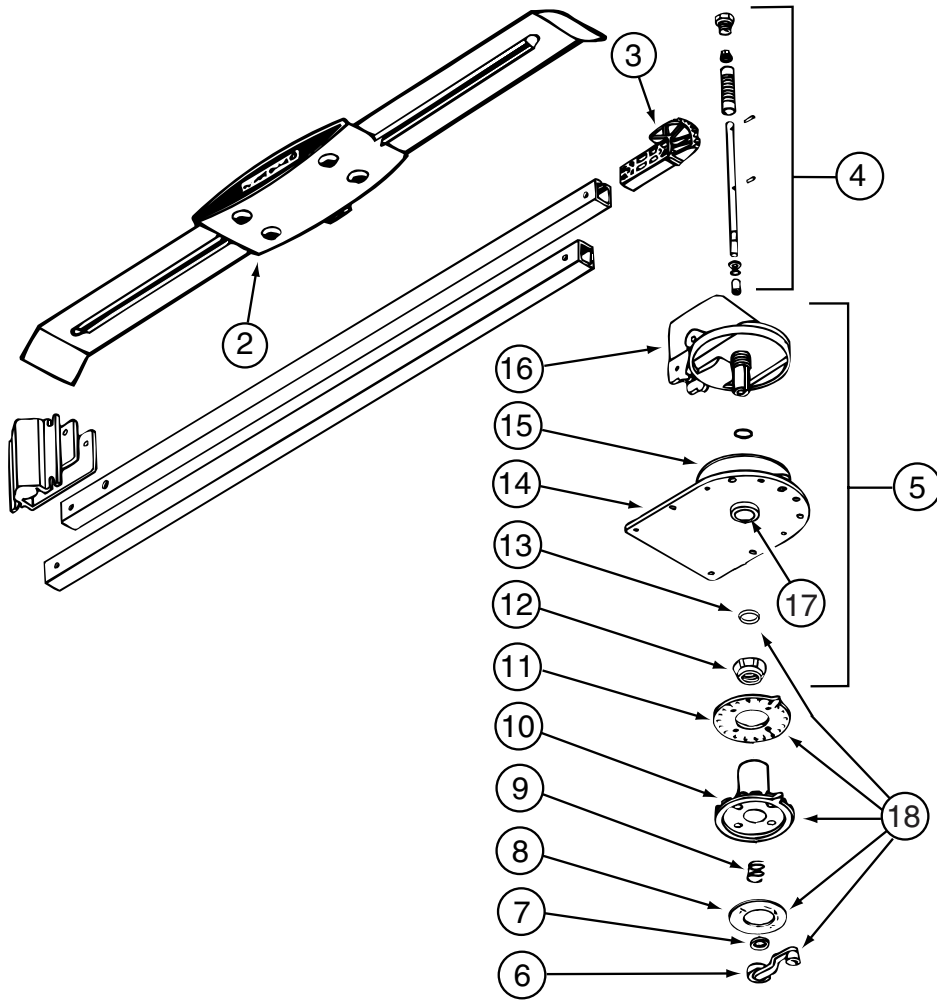
KEY	PART NUMBER	U/M	DESCRIPTION
	077069-02-000	EA	CABLE - ANTENNA/EXTENSION - RADIO - 96"
	090944-01-000	EA	ANTENNA - RADIO - 16" RUBBER
	108847-01-000	EA	BRACKET - ANTENNA GROUND
	109889-02-000	EA	EXTENDER - ANTENNA SHAFT - 2.1" - <a href="#">322E</a> , <a href="#">322R</a> , <a href="#">331T</a>
	109889-05-000	EA	EXTENDER - ANTENNA SHAFT - 5" - <a href="#">324F</a> , <a href="#">324V</a> , <a href="#">329B</a> , <a href="#">329N</a>
	110469-01-000	EA	SPEAKER - 4" X 6" OVAL - COAXIAL
	110470-01-01A	EA	GRILLE - 4" X 6" OVAL SPEAKER - BLACK
	111177-01-01A	EA	GRILLE - SPEAKER - 6.6" X 8.9" - HOUSING 5" X 7" SPEAKER
	127517-07-000	EA	RADIO - AM/FM STEREO - CD PLAYER - SONY CDX-1200 - <a href="#">EXTERIOR ENTERTAINMENT W/CD</a> FROM: 00-00-00 THRU: 08-02-01
	127517-10-000	EA	RADIO - AM/FM STEREO - CD PLAYER - SONY CDX-L250 - <a href="#">EXTERIOR ENTERTAINMENT W/CD</a> FROM: 08-03-01 THRU: 02-10-02
	127517-11-000	EA	RADIO - AM/FM STEREO - CD PLAYER - SONY CDX-L300 - <a href="#">EXTERIOR ENTERTAINMENT W/CD</a> FROM: 02-11-02 THRU: 99-99-99
	125322-02-000	EA	RADIO-AM/FM STEREO/CASSETTE-AUDIOVOX-MS-306- W/CASS - <a href="#">EXTERIOR ENTERTAINMENT</a>
	136543-01-000	EA	RADIO - AM/FM CD - FORD - XL5F-18C815-AA - <a href="#">DASH W/CD</a>
	136542-01-000	EA	RADIO - AM/FM CASSETTE - F87F-19B132-BA - <a href="#">DASH W/CASSETTE</a>
	108137-01-000	EA	PLUG - ANTENNA

### TV & VCR

KEY	PART NUMBER	U/M	DESCRIPTION
*	076319-23-000	EA	ANTENNA - TV ROOF MOUNT - 44.5" MAST
	076319-26-000	EA	ANTENNA - TV - ROOF WEDGE
	069726-02-000	EA	BUMPER - .88" OD X .40" THICK - BLACK
*	076319-25-000	EA	KIT - HARDWARE INTERIOR
*	137135-01-000	EA	ANTENNA - SATELLITE DSS - W/SENSOR
	120233-05-000	EA	WIRE ASSEMBLY - 30" CONNECTS TO WALLPLATE DISPLAY
	076319-08-000	EA	WALLPLATE - CABLE RECEPTACLE - TV - SINGLE - IVORY
	076319-09-000	EA	WALLPLATE - CABLE RECEPTACLE - TV - SINGLE - BROWN
	076319-03-000	FT	CABLE - COAXIAL - 75 OHM
	134006-01-03B	EA	PLATE - COAXIAL CABLE/OFF WHITE
	076319-12-000	EA	CONNECTOR - COAXIAL - ONE PIECE
	086756-01-000	EA	SPLITTER - TV - 2 WAY
	082134-01-000	EA	ADAPTER - TV - CABLE TO CABLE
	082136-01-000	EA	NUT - HEX JAM - 3/8-32
	086777-02-000	EA	WALLPLATE - TV CABLE - W/ANTENNA SWITCH - BLACK
	086757-04-000	EA	CONTROL CENTER - SWITCH - VCR/TV - 5 INPUTS
	086777-06-000	EA	WALLPLATE - TV CABLE - ANTENNA BOOSTER/1 OUTPUT - <a href="#">BLACK - 19" TV W/VCP &amp; VCR W/REMOTE</a>
*	126696-03-000	EA	TV - 19" COLOR W/1/8" JACK - UL/CSA - <a href="#">GALLEY</a>
*	133377-02-000	EA	TV - 25" COLOR W/O 1/8" JACK - UL/CSA - GE 25GT240 - <a href="#">FRONT OVERHEAD</a>
	126697-06-000	EA	VCR - VHS/CABLE READY - W/REMOTE - GE VG4060 FROM: 00-00-00 THRU: 05-06-01
	126697-07-000	EA	VCR - VHS/CABLE READY - W/REMOTE - GE VG4045 FROM: 05-07-01 THRU: 99-99-99
*	086231-10-000	EA	TV - 13" COLOR - AUDIOVOX AVT-1498/DC - <a href="#">SIDE OVERHEAD</a>
*	094487-05-000	EA	VIDEO CASSETTE PLAYER - VERTIC - AVP-7000VF - <a href="#">13" TV W/VCP</a>
	139335-01-02B	EA	PLATE - ELECTRICAL - E-COATED

**\*COMPONENT PARTS LISTED LATER IN THIS GROUP**

**AUDIO VIDEO GROUP (CONTINUED)**  
**COMPONENT PARTS FOR TV & VCR**



**076319-23-000**

KEY	PART NUMBER	U/M	DESCRIPTION	VENDOR NO.
2	076319-01-700	EA	HEAD - ANTENNA - AMPLIFIED	RVSA U/V
3	076319-01-701	EA	GEAR - ELEVATING - PLASTIC	2200046
4	076319-01-702	EA	SHAFT ASM - ELEVATING	RVP-400A
5	076319-01-711	EA	BASE & LIFT ASM	2762802
7	076319-01-705	EA	BEARING - NYLON - 7/8"ID	3200658
8	076319-01-708	EA	DECAL-CRANK	5413002
9	076319-01-707	EA	SPRING - HANDLE	5160822
11	076319-01-709	EA	PLATE-CEILING (IVORY)	3200621
11	076319-01-712	EA	PLATE - CEILING	3200608
12	076319-01-715	EA	NUT (GEAR HOUSING)	2200047
14	076319-01-713	EA	BASE PLATE	3100523
15	076319-01-703	EA	BEARING - NYLON - 5"OD	3200656
16	076319-01-714	EA	HOUSING - ROTATING GEAR	2200049
	076319-01-716	EA	TUBING, ELEVATING	RP-2900
17	076319-01-704	EA	BEARING-NYLON, 1.25"OD	3200657

CONTACT WINNEBAGO PART SALES FOR UNLISTED COMPONENT

**076319-25-000**

KEY	PART NUMBER	U/M	DESCRIPTION	VENDOR NO.
6	076319-01-706	EA	CRANK-ELEVATING W/SET SCREW	2750897
6	120233-01-710	EA	HANDLE-CRANK	RP-6795
8	076319-01-708	EA	DECAL-CRANK	5413002
9	076319-01-707	EA	SPRING-HANDLE	2160822
10	076319-25-700	EA	DIRECTIONAL HANDLE(WHITE)	3200612
11	076319-25-701	EA	PLATE - CEILING(WHITE)	3200609
13	120233-01-709	EA	WASHER-NYLON	RP-2658

CONTACT WINNEBAGO PART SALES FOR UNLISTED COMPONENTS

**AUDIO VIDEO GROUP (CONTINUED)**  
**COMPONENT PARTS FOR TV & VCR (CONTINUED)**

**086231-10-000**

<b>KEY</b>	<b>PART NUMBER</b>	<b>U/M</b>	<b>DESCRIPTION</b>	<b>VENDOR NO.</b>
	086231-08-700	EA	REMOTE-UNIVERSAL	892325
	086231-08-701	EA	CONVERTER/POWER SUP 110/12 V	891436
	086231-10-700	EA	ADAPTER WIRE - (CIGARETTE)	894000

**094487-05-000**

<b>KEY</b>	<b>PART NUMBER</b>	<b>U/M</b>	<b>DESCRIPTION</b>	<b>VENDOR NO.</b>
	086231-08-700	EA	REMOTE-UNIVERSAL	0892325
	094487-03-700	EA	WIRE - ADAPTER	0891436

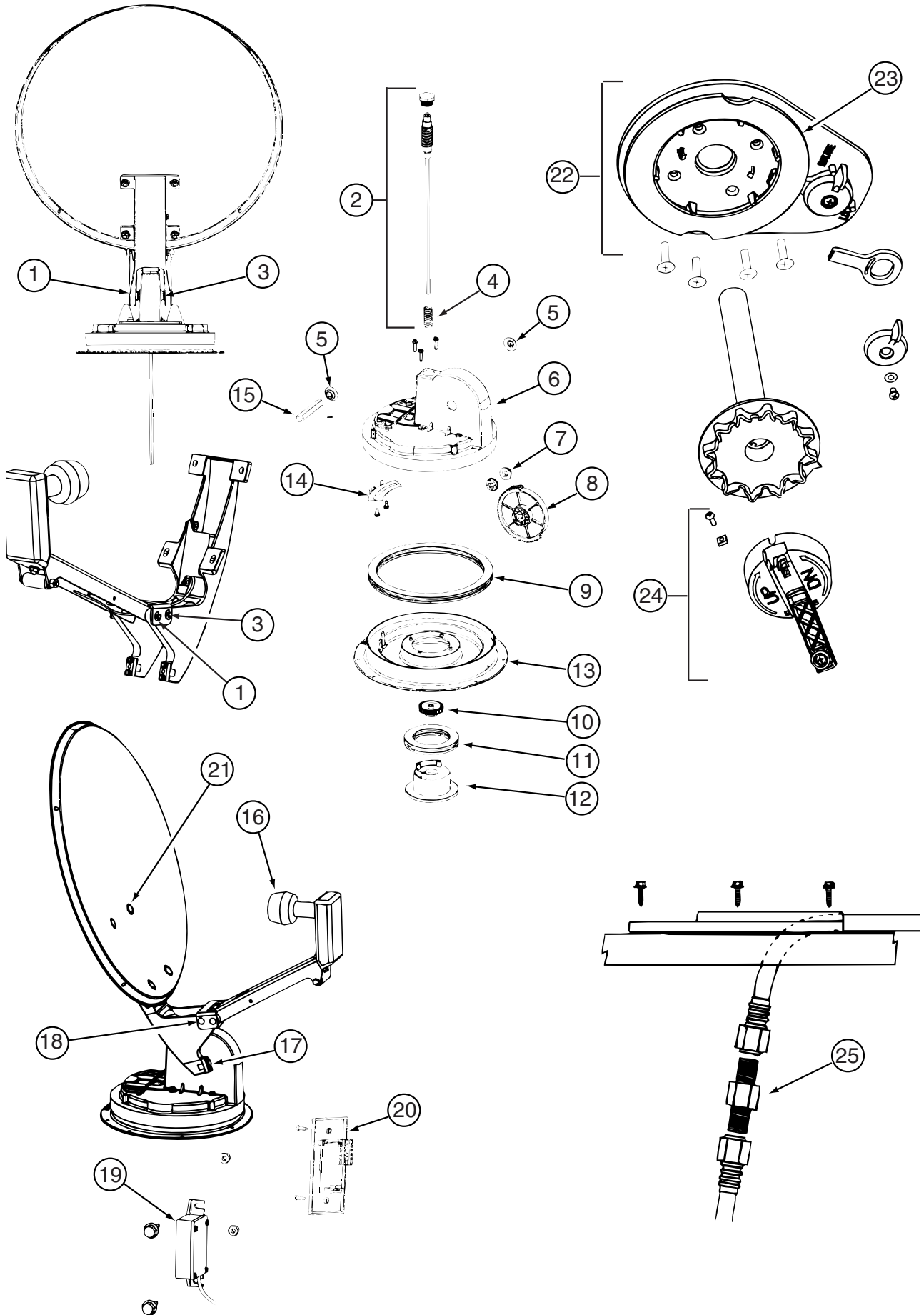
**126696-03-000**

<b>KEY</b>	<b>PART NUMBER</b>	<b>U/M</b>	<b>DESCRIPTION</b>	<b>VENDOR NO.</b>
	126696-01-700	EA	REMOTE	226725/228006

**133377-01-000**

<b>KEY</b>	<b>PART NUMBER</b>	<b>U/M</b>	<b>DESCRIPTION</b>	<b>VENDOR NO.</b>
	133377-01-700	EA	REMOTE	240961

**AUDIO VIDEO GROUP (CONTINUED)**  
**COMPONENT PARTS FOR TV & VCR (CONTINUED)**



137135-01-000

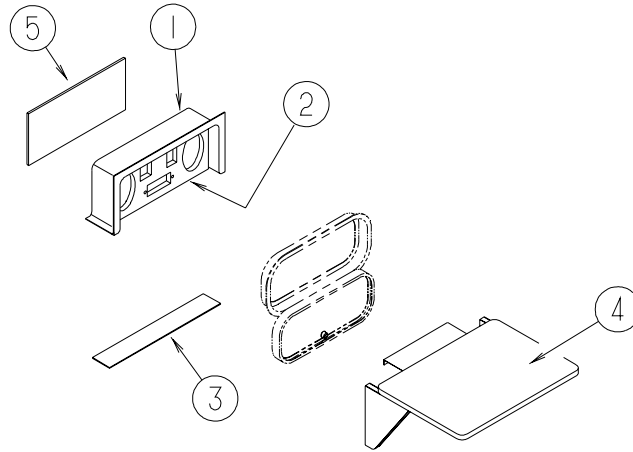
**AUDIO VIDEO GROUP (CONTINUED)**  
**COMPONENT PARTS FOR TV & VCR (CONTINUED)**

**137135-01-000 (CONTINUED)**

<b>KEY</b>	<b>PART NUMBER</b>	<b>U/M</b>	<b>DESCRIPTION</b>	<b>VENDOR NO.</b>
1	120233-01-714	EA	CLIP-E	5160818
2	137135-01-703	EA	SHAFT-ELEVATING(SPRING/PLUG)	RP-4400
3	137135-01-704	EA	PIN - 1/4" X 3.25"	2160813
4	137135-01-705	EA	SPRING	2160818
5	137135-01-707	EA	SEAL - PIVOT SHAFT	2200852
6	137135-01-708	EA	TURRET	3100728
7	137135-01-709	EA	PIVOT BEARING	2200470
8	137135-01-711	EA	GEAR - ELEVATING	2200464
9	137135-01-712	EA	BEARING - OUTER	2590347
10	137135-01-714	EA	GEAR - ELEVATING SHAFT	2200465
11	137135-01-715	EA	BEARING - INNER	2590348
12	137135-01-716	EA	HUB	3100731
13	137135-01-713	EA	TURRET BASE	3100730
14	137135-01-710	EA	PLATE - ROTATE LIMIT	3720052
15	137135-01-706	EA	PIVOT SHAFT	2590344
16	120233-01-734	EA	LOW NOISE BLOCK FILTER (SGL)	LB10003
17	137135-01-722	EA	CLAMP	2590343
18	137135-01-719	EA	BRACKET - PIVOT	2744945
19	137135-01-720	EA	DE-SENSOR UNIT W/43" CABLE	276342
20	137135-01-721	EA	WALL PLATE	3200213
21	137135-01-717	EA	BOLT - FLAT HEAD	216032
22	120233-01-722	EA	PLATE ASSEMBLY (CEILING)	2762826
23	120233-01-704	EA	DIAL - DIRECTIONAL	3200364
24	120233-01-721	EA	CRANK HANDLE ASSEMBLY	2762825
25	137135-01-701	EA	CONNECTOR - F - MALE TO MALE	FS-8100
	137135-01-700	EA	ROOF WEDGE W/GASKET	RW-5000
	137135-01-718	EA	REFLECTOR/WHITE - 46CM	2745282

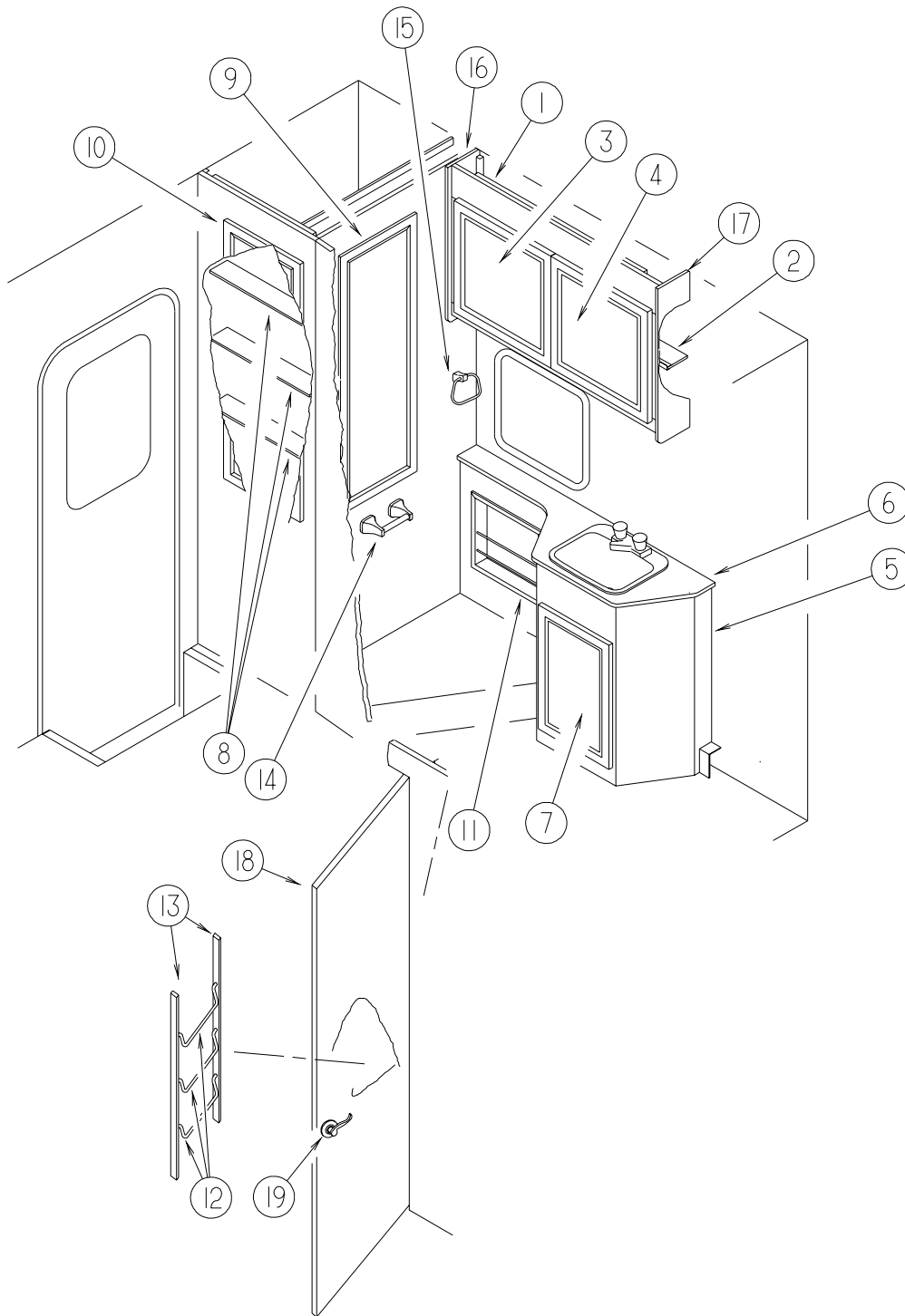
## AUDIO VIDEO GROUP (CONTINUED)

### EXTERIOR ENTERTAINMENT



KEY	PART NUMBER	U/M	DESCRIPTION
1	124696-01-01A	EA	BOX - ENTERTAINMENT CENTER/EXTERIOR - 322E, 322R, 324F, 329B, 331C
1	104897-02-02A	EA	BOX - EXTERIOR ENTERTAINMENT CENTER - 324V, 329N
2	127409-02-L15	EA	PLATE - RADIO MOUNTING - 322E, 322R, 324F, 329B, 331C
2	127409-01-L07	EA	PLATE - RADIO MOUNTING - 324V, 329N
3	104898-01-02A	EA	PLATE - PLASTIC BOTTOM - BRIGHT WHITE
4	105230-01-J01	EA	SHELF - EXTERIOR ENTERTAINMENT CENTER - W/BRKT/HINGE/SUPT FROM: 00-00-00 THRU: 01-15-02
4	142034-01-01A	EA	SHELF - F/EXTERIOR TV FROM: 01-16-02 THRU: 99-99-99
5	104898-02-02A	EA	PLATE - PLASTIC BACK - BRIGHT WHITE - 322E, 322R, 324F, 329B, 331C

## BATH GROUP CABINETS



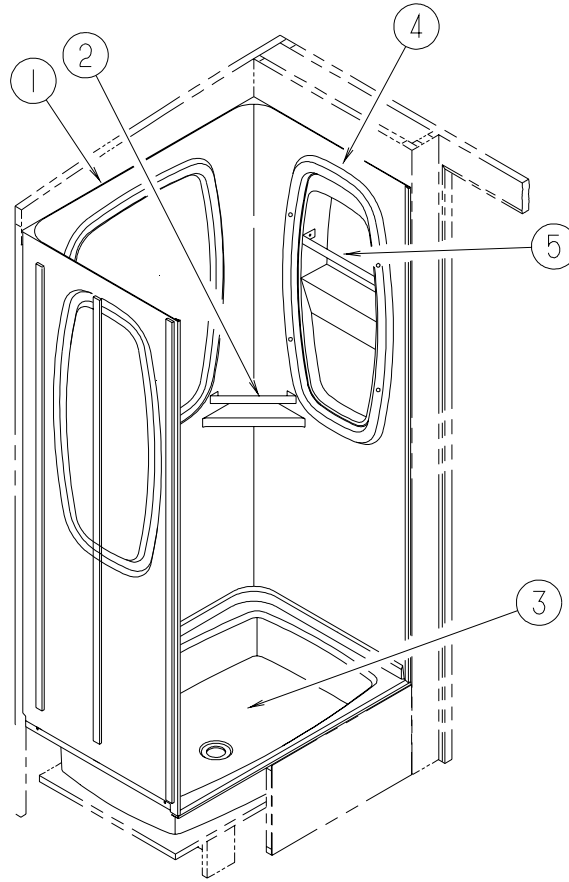
KEY	PART NUMBER	U/M	DESCRIPTION
1	131972-01-N01	EA	CABINET - MEDICINE - W/O DOORS/HARDWARE
2	131972-11-N01	EA	SHELF - W/PLASTIC EDGE MOLDING
3	115237-02-M01	EA	DOOR - MIRRORED/MEDICINE CABINET - 19.7" X 19.7" - W/O HDW
	076767-04-000	EA	CABLE - STAINLESS STEEL - 5.9"
	137463-01-01A	EA	LIFT - HOOK - SATIN BRASS
4	115237-12-M01	EA	DOOR - MIRRORED/MEDICINE CABINET - W/O HARDWARE
	076767-04-000	EA	CABLE - STAINLESS STEEL - 5.9"
	137463-01-01A	EA	LIFT - HOOK - SATIN BRASS
5	136778-02-N01	EA	CABINET - LAVATORY - W/O COUNTERTOP/DOORS/DRAWERS/HARDWARE
6	133132-38-N01	EA	COUNTERTOP - LAMINATED (N01, N02)
6	133132-38-M03	EA	COUNTERTOP - LAMINATED (N03)
7	131995-N8-N01	EA	DOOR - RAIL/SOLID PANEL - 14.4" X 21.9" - W/O HARDWARE
8	131973-13-M01	EA	SHELF - W/PLASTIC EDGE

**BATH GROUP (CONTINUED)**  
**CABINETS (CONTINUED)**

<b>KEY</b>	<b>PART NUMBER</b>	<b>U/M</b>	<b>DESCRIPTION</b>
9	132005-14-N01	EA	DOOR - MIRROR/MITERED CORNERS - 16.7" X 47.9" - W/O HDW
10	132141-35-N01	EA	DOOR - RAIL/VENEER - 15.5" X 45.4" - W/O HARDWARE
11	131096-02-N75	EA	WALL POCKET - MAGAZINE RACK
12	100357-01-000	EA	ROD - F/TOWEL BAR - BRASS
13	P34509-01-N01	EA	RAIL END - RH/LH - TOWEL RACK - PORTSMOUTH OAK
14	075452-02-000	EA	HOLDER - TOILET TISSUE - BRASS
15	132046-02-01A	EA	RING - TOWEL - BRASS
16	109908-A7-M01	EA	END CAP - OVERHEAD CABINET
17	109908-A6-M01	EA	END CAP - OVERHEAD CABINET
18	131933-07-L81	EA	DOOR - BATH - W/O HARDWARE
19	111155-05-01A	EA	LOCK - PRIVACY/LOCKING - POLISHED BRASS - "S" SHAPE HANDLE



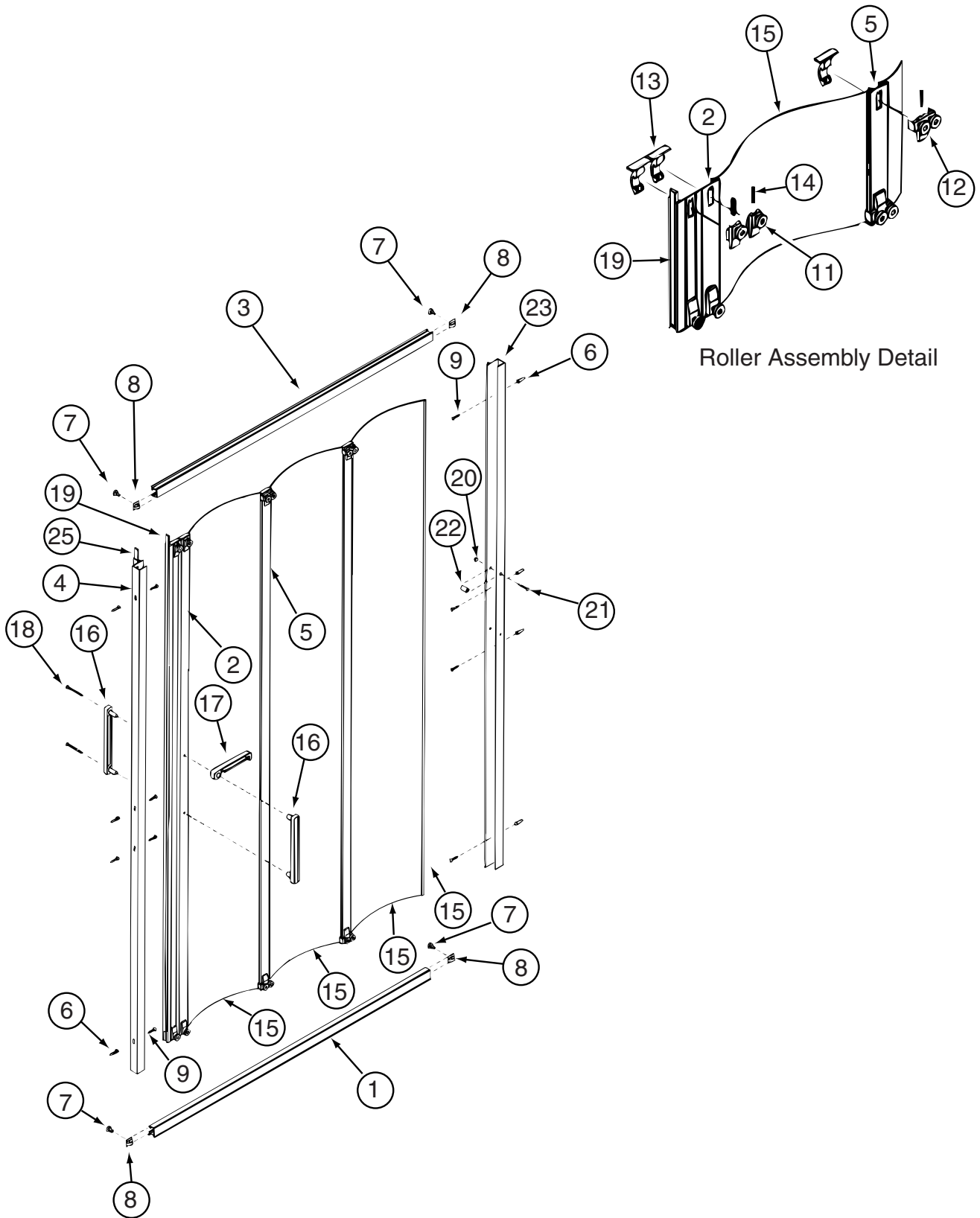
## BATH GROUP (CONTINUED) SHOWER



KEY	PART NUMBER	U/M	DESCRIPTION
1	104464-05-01A	EA	SURROUND-SHOWER SOFT WHITE
2	113714-04-02A	EA	RETAINER - SHELF/SHOWER - SOFT WHITE
3	M02630-22-K04	EA	SHOWER PAN - W/SPRING LOADED DRAIN PLUNGER
4	NOT USED		
5	NOT USED		
*	135615-02-01A	EA	DOOR - SHOWER/FOLDING - 34.1" X 62.9" - WHITE

**\*COMPONENT PARTS LISTED LATER IN THIS GROUP**

**BATH GROUP (CONTINUED)**  
**COMPONENT PARTS FOR SHOWER DOOR**



135615-01-01A, 135615-02-01A, 135615-03-01A, 135615-04-01A & 135615-05-01A

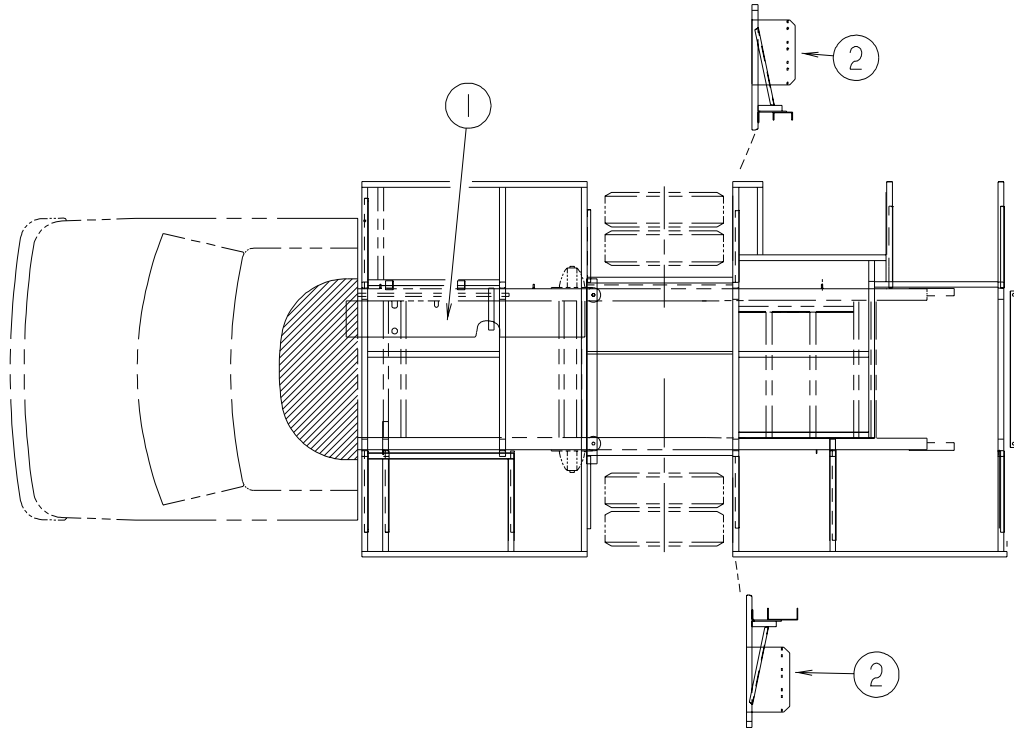
**BATH GROUP (CONTINUED)**  
**COMPONENT PARTS FOR SHOWER DOOR (CONTINUED)**

135615-01-01A, 135615-02-01A, 135615-03-01A, 135615-04-01A & 135615-05-01A (CONTINUED)

<b>KEY</b>	<b>PART NUMBER</b>	<b>U/M</b>	<b>DESCRIPTION</b>	<b>VENDOR NO.</b>
1	135615-01-702	EA	TRACK - (TOP/BOTTOM) - 40"	117W
2	135615-01-701	EA	STRIKE ASSEMBLY - 66"	109W
4	135615-01-703	EA	JAMB/WALL - W/O MAG STRIKE 66"	112W
11	108351-01-703	EA	BRACKET & ROLLER ASM. SINGLE	GRB1
12	108351-01-704	EA	BRACKET & ROLLER ASM. DOUBLE	GRB2
13	108351-01-705	EA	BRACKET-W/RETAINING CLIP	GRC1
14	108351-01-706	EA	SPRING-ROLLER BRACKET	GS1
16	108351-01-701	EA	HANDLES-DOOR, SET	SFH
17	108351-01-702	EA	LATCH-DOOR	SFL
23	135615-01-704	EA	JAMB/WALL PANEL RECEIVER 66"	110W
25	135615-01-700	EA	STRIP-MAGNETIC, 66"	98-41W

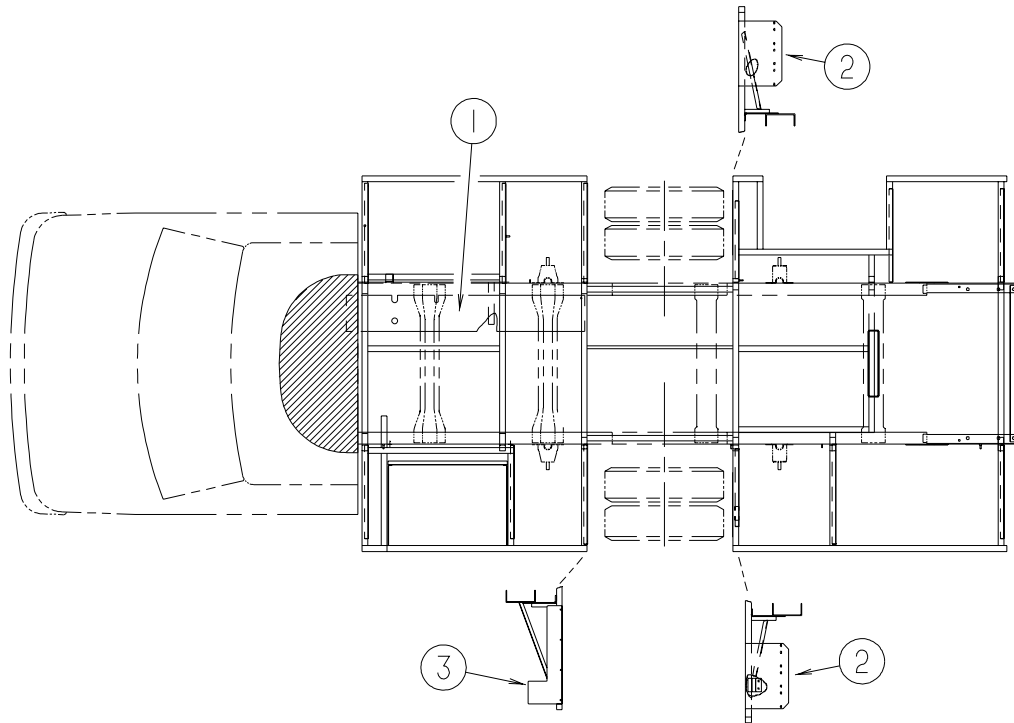
CONTACT WINNEBAGO PART SALES FOR UNLISTED COMPONENT

# CHASSIS GROUP FRAME



**CHEVY**

KEY	PART NUMBER	U/M	DESCRIPTION
1	127971-03-02B	EA	SHIELD - HEAT - CHEVY
2	136368-06-02B	EA	GUARD - ROCK - E- COATED

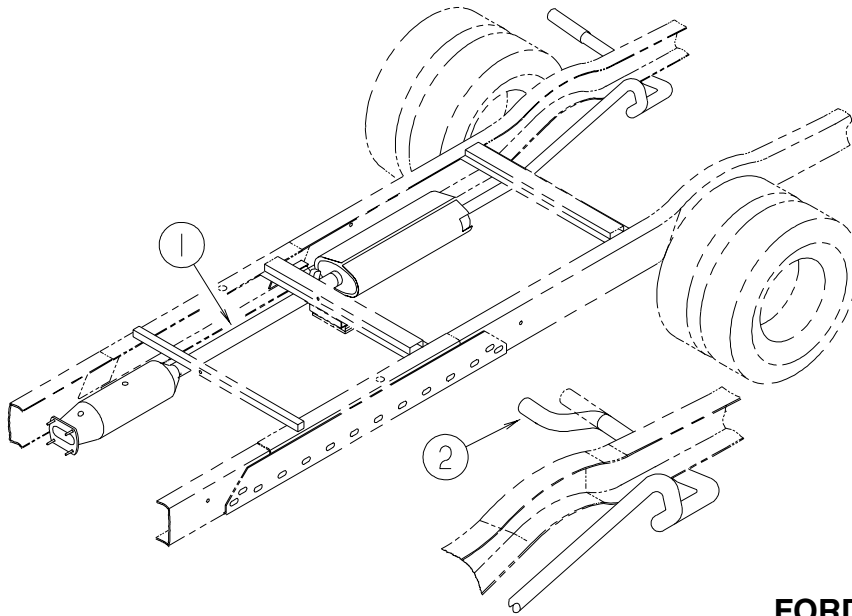


**FORD**

KEY	PART NUMBER	U/M	DESCRIPTION
1	127971-02-02B	EA	SHIELD - HEAT - FORD
2	136368-06-02B	EA	GUARD - ROCK - E- COATED
3	111848-05-02B	EA	SHIELD - MUD - E- COATED

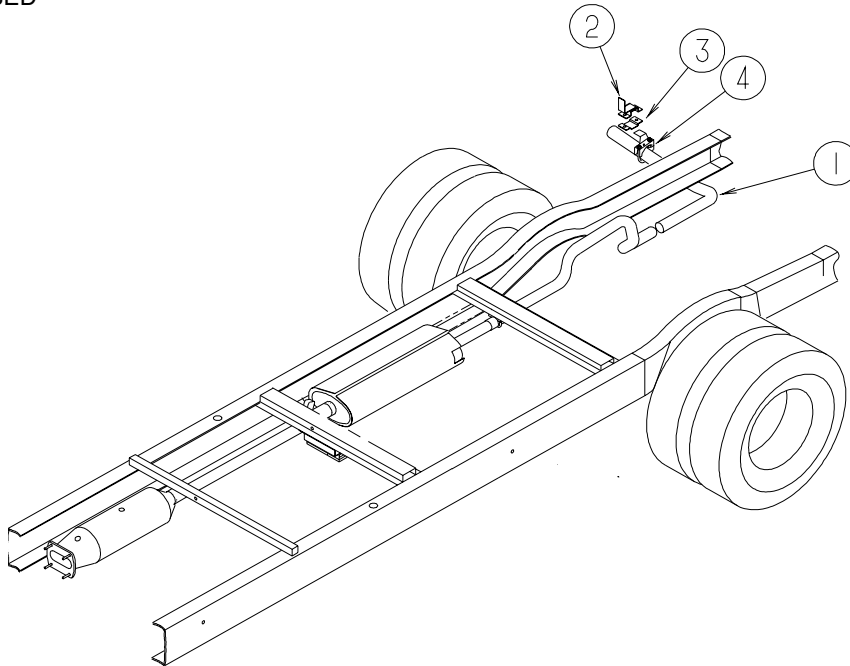
## CHASSIS GROUP (CONTINUED)

### EXHAUST



**FORD - 329B, 329N, 331C**

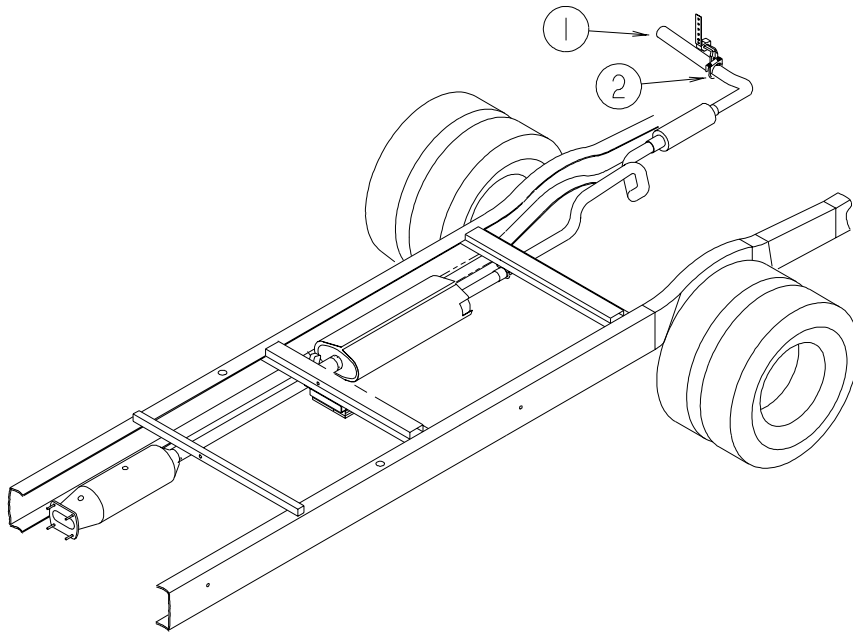
KEY	PART NUMBER	U/M	DESCRIPTION
1	111478-01-000	EA	EXHAUST PIPE - DOUBLE WALL STAINLESS STEEL - 32" - GAS - 158" W.B. TO 188" W.B.
1	111478-02-000	EA	EXHAUST PIPE - DOUBLE WALL STAINLESS STEEL - 34" - GAS - 158" W.B. TO 190" W.B.
1	111478-04-000	EA	EXHAUST PIPE - DOUBLE WALL STAINLESS STEEL - 63.9" - 158" W.B. TO 220" W.B.
	094918-06-000	EA	CLAMP - EXHAUST - 3" - HEAVY DUTY
1	098762-13-000	EA	PIPE - EXHAUST - STRAIGHT - 3.5" - DIESEL - 158" W.B. TO 190" W.B.
1	098762-14-000	EA	PIPE - EXHAUST - STRAIGHT - 3.5" - DIESEL - 158" W.B. TO 188" W.B.
	094918-02-000	EA	CLAMP - EXHAUST - 3.5"
	117380-01-02B	EA	HANGER - TAILPIPE - EUROPEAN - E-COATED
2	NOT USED		



**FORD - 322E, 322R, 324F, 324V**

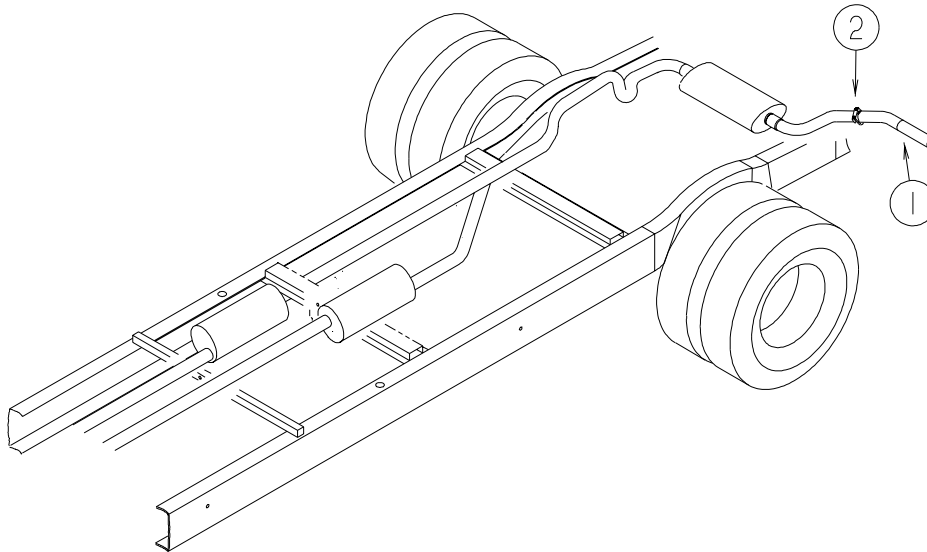
KEY	PART NUMBER	U/M	DESCRIPTION
1	111836-05-000	EA	PIPE - EXHAUST/TAIL - <a href="#">322E, 322R</a>
1	NOT USED - CHASSIS SUPPLIED		- <a href="#">324F, 324V</a>
2	117380-05-02B	EA	HANGER - TAILPIPE - E-COATED - <a href="#">322E, 322R</a>
3	096054-04-000	EA	SUPPORT - EXHAUST PIPE
4	095190-01-000	EA	HANGER - EXHAUST - 4" X 1.4"
4	094918-06-000	EA	CLAMP - EXHAUST - 3" - HEAVY DUTY

**CHASSIS GROUP (CONTINUED)**  
**EXHAUST (CONTINUED)**



**CHEVY - 324F, 324V**

KEY	PART NUMBER	U/M	DESCRIPTION
1	124570-03-000	EA	PIPE - EXHAUST - TAIL - 2.75" DIAMETER
2	007125-08-000	EA	CLAMP - MUFFLER - 3" DIAMETER

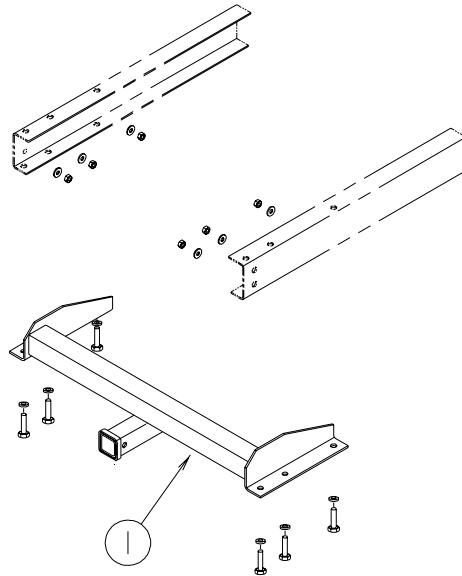


**CHEVY - 322E, 322R**

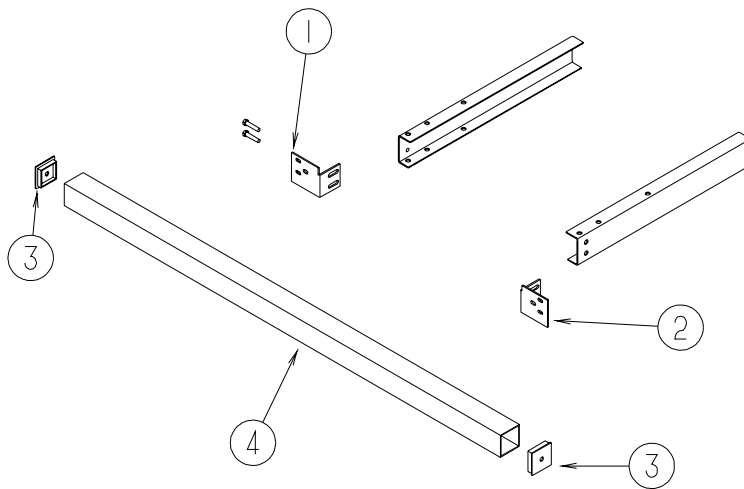
KEY	PART NUMBER	U/M	DESCRIPTION
1	124571-02-000	EA	PIPE - EXHAUST - TAIL
2	007125-08-000	EA	CLAMP - MUFFLER - 3" DIAMETER

## CHASSIS GROUP (CONTINUED)

### HITCH



KEY	PART NUMBER	U/M DESCRIPTION
1	130339-04-000	EA HITCH RECEIVER - BOLT ON CLASS II

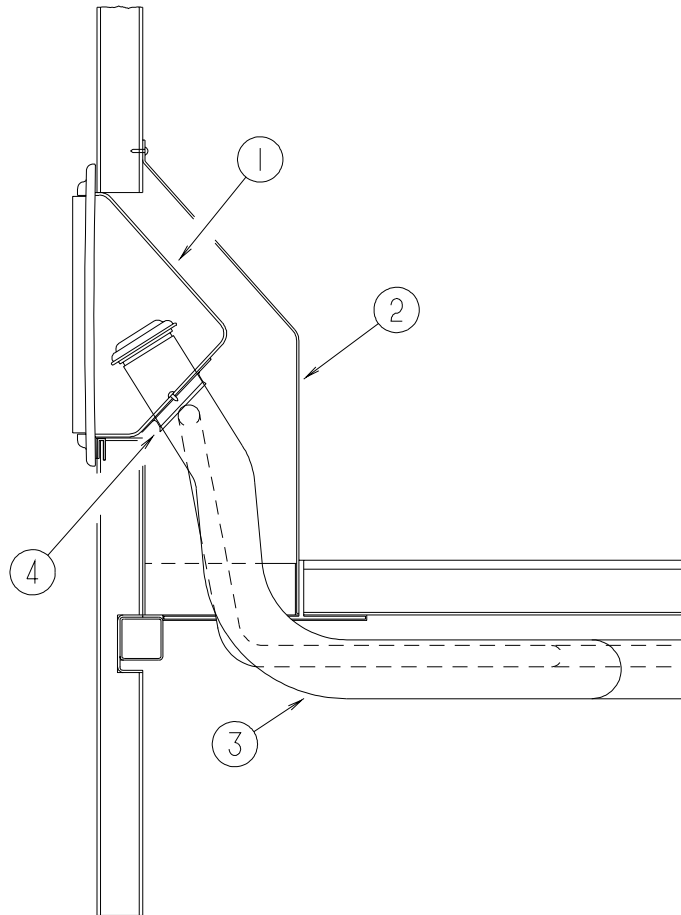


### REAR BUMPER

KEY	PART NUMBER	U/M DESCRIPTION
1	104420-02-000	EA SUPPORT/ANGLE - REAR BUMPER - LEFT HAND
2	104420-01-000	EA SUPPORT/ANGLE - REAR BUMPER - RIGHT HAND
3	039779-01-000	EA CAP - BUMPER - RUBBER - 4" X 4" - BLACK
4	103422-05-02A	EA BUMPER - REAR - SQUARE ALUMINUM - 97.3" - BRIGHT WHITE
	038327-01-000	EA TAPE - ANTI-SLIP - 2" X 60'

## CHASSIS GROUP (CONTINUED)

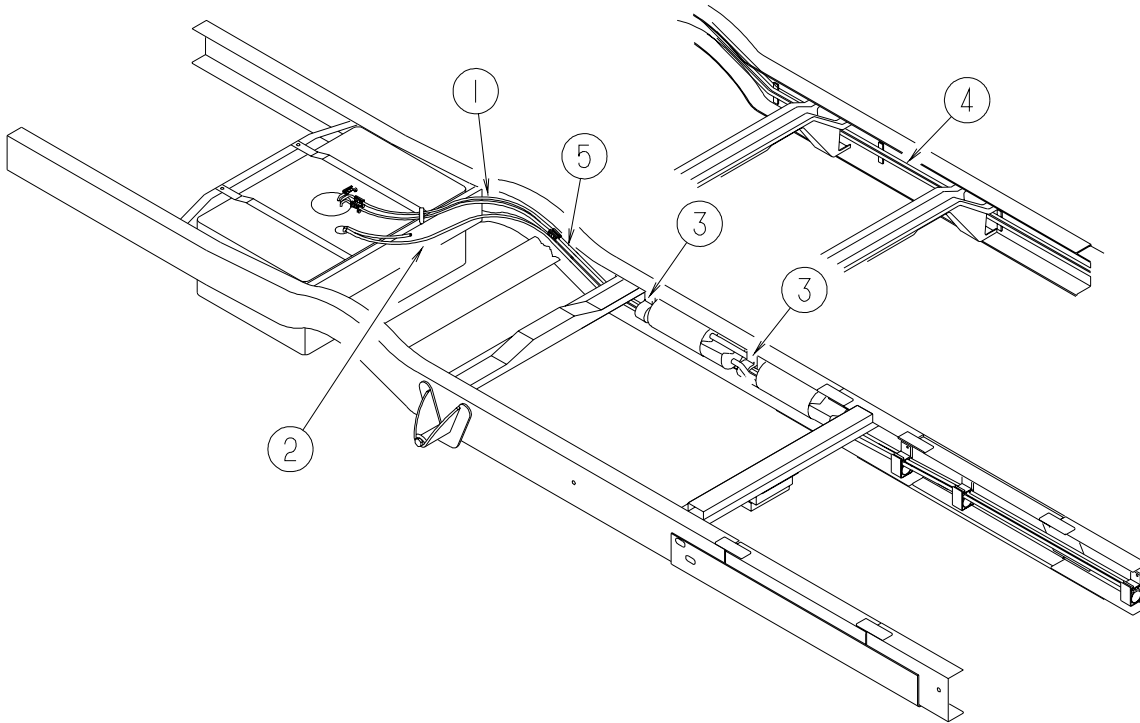
### FUEL



KEY	PART NUMBER	U/M	DESCRIPTION
1	127291-02-01A	EA	SHROUD - FUEL FILL - BRIGHT WHITE - FORD
1	127291-01-01A	EA	SHROUD - FUEL FILL - BRIGHT WHITE - CHEVY
2	078040-06-000	EA	SHROUD - FUEL FILL - UPPER - RECTANGULAR - 329N, 331C
2	078040-08-000	EA	SHROUD - FUEL FILL - UPPER - RECTANGULAR - 322R, 322E, 324V
2	135557-02-01A	EA	SHROUD - FUEL FILL/UPPER - 324F
2	139419-01-01A	EA	SHROUD - FUEL FILL/UPPER - 329B
3	124993-02-000	EA	NECK - FILLER - FUEL FILL - FORD - 322E, 322R, 329B
3	128311-04-000	EA	NECK - FUEL FILL - CHEVY - 322E, 322R
3	124995-02-000	EA	NECK - FUEL FILL - UNLEADED - FORD - 324V
3	116043-02-000	EA	NECK - FILLER - FUEL FILL - DIESEL - FORD - 324V
3	128312-03-000	EA	NECK - FUEL FILL - UNLEADED - CHEVY - 324V
3	137923-01-000	EA	NECK - FUEL FILL - FORD - 324F
3		EA	NECK - FUEL FILL - CHEVY - CHASSIS SUPPLIED - 324F
3	139797-01-000	EA	NECK - FUEL FILL - FORD - 329B
3	124996-02-000	EA	NECK - FUEL FILL - UNLEADED - FORD - 329N
3	108603-02-000	EA	NECK - FILLER - FUEL FILL - DIESEL - FORD - 329N
3	127628-02-000	EA	NECK - FUEL FILL - UNLEADED - FORD - 331C
4	078200-01-000	EA	GASKET - FUEL FILL - 3.5"OD X 2"ID



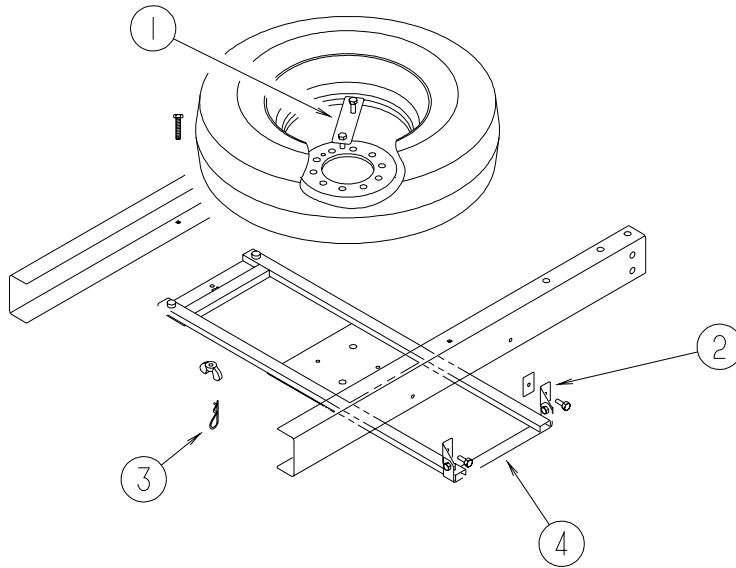
**CHASSIS GROUP (CONTINUED)**  
**FUEL (CONTINUED)**



KEY	PART NUMBER	U/M	DESCRIPTION
1	106389-10-000	EA	FUEL LINE - FORD - 3/8 HP - FORD - 158" TO 188" W.B. - 158" TO 190" W.B.
1	106389-11-000	EA	FUEL LINE - FORD - 3/8 HP - FORD - 158" TO 205" W.B.
1	106389-12-000	EA	FUEL LINE - FORD - 3/8 HP - FORD - 158" TO 216" W.B. - 158" TO 220" W.B.
2	125187-01-000	FT	HOSE - FUEL - LOW PERMEABILITY - 11.1 ID - FORD
3	125187-02-000	FT	HOSE - FUEL - LOW PERMEABILITY - .5" ID - FORD
4	125055-01-000	FT	PIPE - FUEL/GAS - CHEVY
5	106388-10-000	EA	FUEL LINE - FORD - 5/16 HP - FORD - 158" TO 188" W.B. - 158" TO 190" W.B.
5	106388-11-000	EA	FUEL LINE - FORD - 5/16 HP - FORD - 158" TO 205" W.B.
5	106388-12-000	EA	FUEL LINE - FORD - 5/16 HP - FORD - 158" TO 216" W.B. - 158" TO 220" W.B.
	128139-03-000	FT	HOSE - FUEL - LOW PERMEABILITY - 1/4" DIAMETER
	084884-01-000	EA	PLUG - BRASS - 3/8"
	088258-02-000	EA	CLIP - RETAINING - FUEL LINE SINGLE
	099069-01-000	FT	SEAL - RUBBER - CLOSED SPONGE - .5" WIDE X .12" THICK -BLK

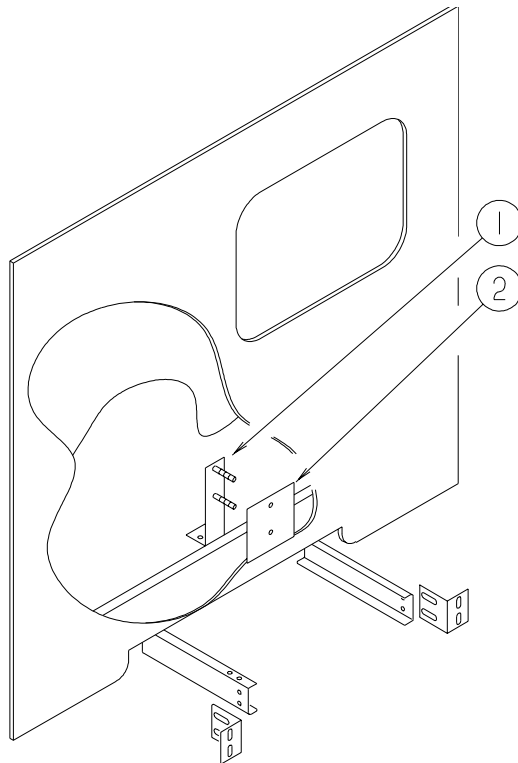
## CHASSIS GROUP (CONTINUED)

### SPARE TIRE



**324F, 329B, 329N, 331C**

KEY	PART NUMBER	U/M	DESCRIPTION
1	116338-02-02B	EA	BRACKET/CLAMP - SPARE TIRE - E-COATED
2	116349-01-02B	EA	BRACKET/HINGE - SPARE TIRE - 2.4" - E-COATED
3	034513-01-000	EA	PIN - HITCH - 3/16" WIRE
4	116348-01-02B	EA	CRADLE - SPARE TIRE - E-COATED
	069726-02-000	EA	BUMPER - .88" OD X .40" THICK - BLACK



**322E, 322R, 324V**

KEY	PART NUMBER	U/M	DESCRIPTION
1	105209-06-C52	EA	BRACKET - SPARE TIRE - FORD
1	105209-04-C52	EA	BRACKET - SPARE TIRE - CHEVY
2	105208-01-000	EA	PLATE - SPARE TIRE
	073322-09-N06	EA	COVER - TIRE - 30"
	073322-50-000	EA	COVER - UNIVERSAL LINER

## CHASSIS GROUP (CONTINUED)

### WHEEL, TIRE, COVERS &/OR LINERS

KEY	PART NUMBER	U/M	DESCRIPTION
*	109443-05-000	EA	WHEEL COVER - 4/SET - 16" STAINLESS STEEL
	112358-01-000	EA	WRENCH - LUG - 7/8" - L-SHAPE
	083617-04-000	EA	WHEEL - STEEL - 6" X 16" - FORD
	070917-06-000	EA	TIRE - LT225/75R16E - R4S M/S - FIRESTONE - FORD
	106715-01-000	EA	TIRE - LT 225/75 R16 - LRD 550 AS - CHEVY
	051377-03-000	EA	VALVE STEM - .5" X 2"
	051377-04-000	EA	VALVE STEM - .5" X 2"
*	110435-13-000	EA	LINER - WHEEL - SET OF 4 - 16" (8 HOLE) - FORD
*	091209-05-000	EA	LINER - WHEEL - SET OF 4 - 16" - STAINLESS STEEL - CHEVY
	077030-02-000	EA	EXTENSION - VALVE STEM - LIVE - 1.25"
	095012-05-000	EA	EXTENSION - VALVE STEM - LIVE - 5"
	095012-06-000	EA	STABILIZER - VALVE EXTENSION - LIVE - 2"
	089359-03-000	EA	WHEEL - STEEL - 6" X 16" - 8 HOLE - PRIMED - #28623 - CHEVY

\*COMPONENT PARTS LISTED LATER IN THIS GROUP

**CHASSIS GROUP (CONTINUED)**  
**COMPONENT PARTS FOR WHEEL, TIRE, COVERS &/OR LINERS**

**091209-05-000**

<b>KEY</b>	<b>PART NUMBER</b>	<b>U/M</b>	<b>DESCRIPTION</b>	<b>VENDOR NO.</b>
	091209-03-702	EA	COVER-AXLE, FRONT, 8 LUG	64UE
	091209-03-703	EA	COVER-AXLE, REAR, 8 LUG	65UE
	091209-03-704	EA	RING-SNAP	00
	091209-05-700	EA	LINER-WHEEL, FRONT	57-88 KAPER
	091209-05-701	EA	LINER-WHEEL, REAR	58-88

**109443-05-000**

<b>KEY</b>	<b>PART NUMBER</b>	<b>U/M</b>	<b>DESCRIPTION</b>	<b>VENDOR NO.</b>
	098532-01-700	EA	COVER-LUG NUT (CHROME)	SHAU-LNC
	109443-05-700	EA	COVER-WHEEL, 16" SS EA=1	SHFM16-CVR

**110435-13-000**

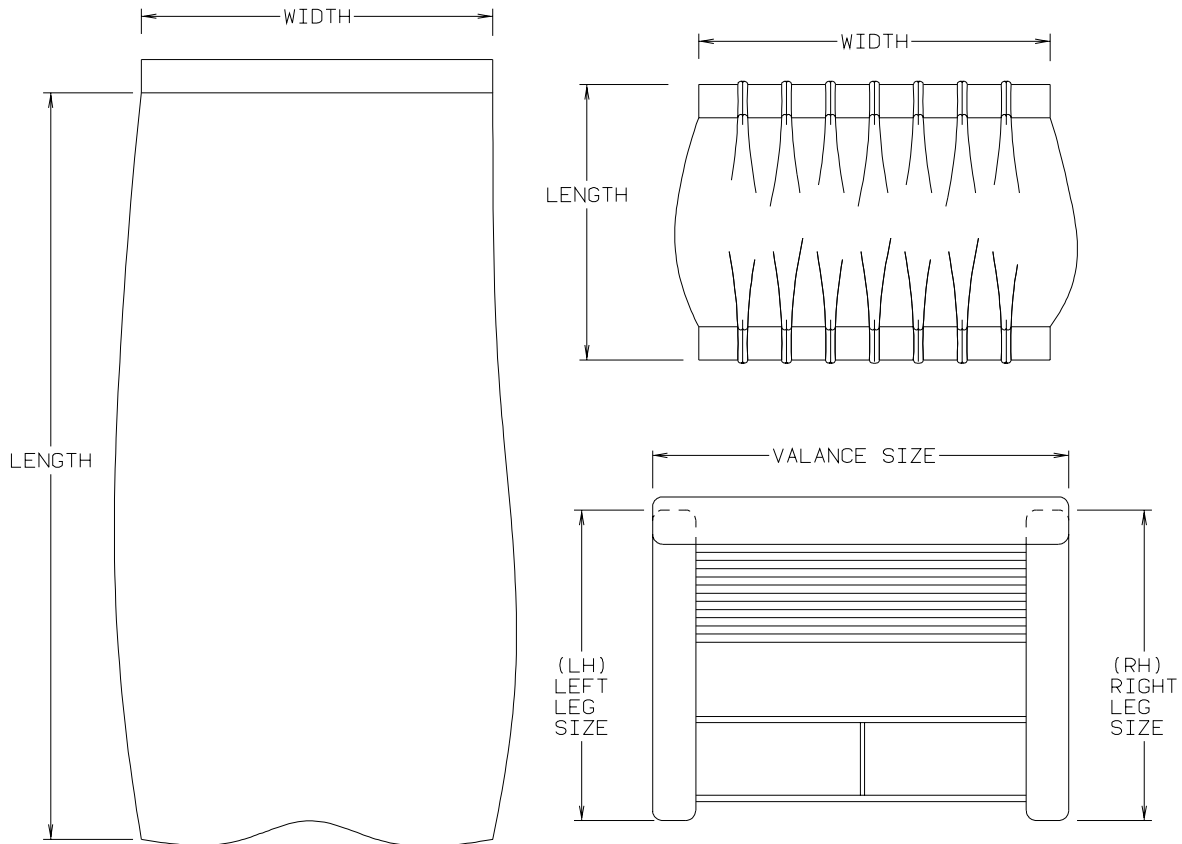
<b>KEY</b>	<b>PART NUMBER</b>	<b>U/M</b>	<b>DESCRIPTION</b>	<b>VENDOR NO.</b>
	110435-01-711	EA	DECAL-CENTER CAP, 2"	2" DECAL
	110435-10-705	EA	TOOL - INSTALLATION	V195P7-TOL
	110435-13-700	EA	LINER - WHEEL - FRONT	V160F7-FWC
	110435-13-701	EA	LINER - WHEEL - REAR	V160F7-RWC
	110435-13-702	EA	COVER-LUG NUT W/JAMB NUT FT	V160F7-EJN

## CURTAIN & CUSHION GROUP

### NOTICE

IN ORDER TO ASSIST OUR PARTS SALES DEPT. IN PROVIDING INTERIOR SOFTWARE ITEMS, PLEASE INCLUDE THE SERIAL NUMBER AND THE COLOR CODE NUMBER FROM THE VEHICLE CERTIFICATION LABEL WHEN ORDERING. THIS LABEL IS LOCATED ON THE LEFT SIDEWALL AT THE END OF THE DASH (A-BODY), OR ON THE DRIVER'S DOOR LATCH PLATE (C-BODY).

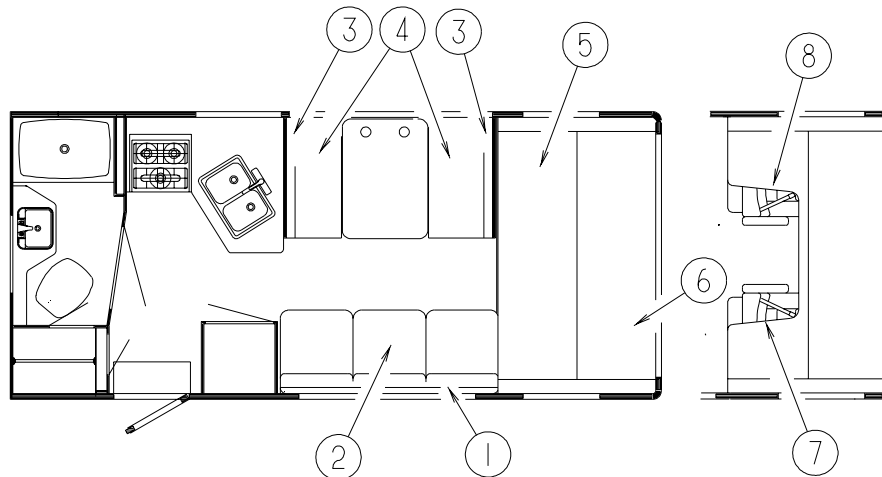
AN EXAMPLE OF A COLOR CODE NUMBER IS B07, WHICH DESIGNATES AN OVERALL COLOR SCHEME OF A PARTICULAR UNIT. THE COLOR LISTED AFTER THE ITEM DESCRIPTION ON THE MICROFICHE, INDICATES THE OVERALL UNIT COLOR. ORDER THE ITEM YOU DESIRE ACCORDING TO UNIT COLOR CODE. IF ALL COLORS USE THE SAME ITEM NO COLOR CODE WILL BE NOTED.



NOTE: USE THIS ILLUSTRATION WHEN DETERMINING LENGTH AND WIDTH MEASUREMENTS FOR CURTAINS. YOU WILL NOTE THE WIDTH MEASUREMENT IS TAKEN ON THE TOP OF THE CURTAIN WITH THE CURTAIN FULLY EXTENDED. THE LENGTH MEASUREMENT IS TAKEN FROM TOP TO BOTTOM. LEFT AND RIGHT WINDOW LEGS ARE DETERMINED WHEN FACING THE WINDOW.

## CURTAIN & CUSHION GROUP (CONTINUED)

### CUSHION LAYOUT



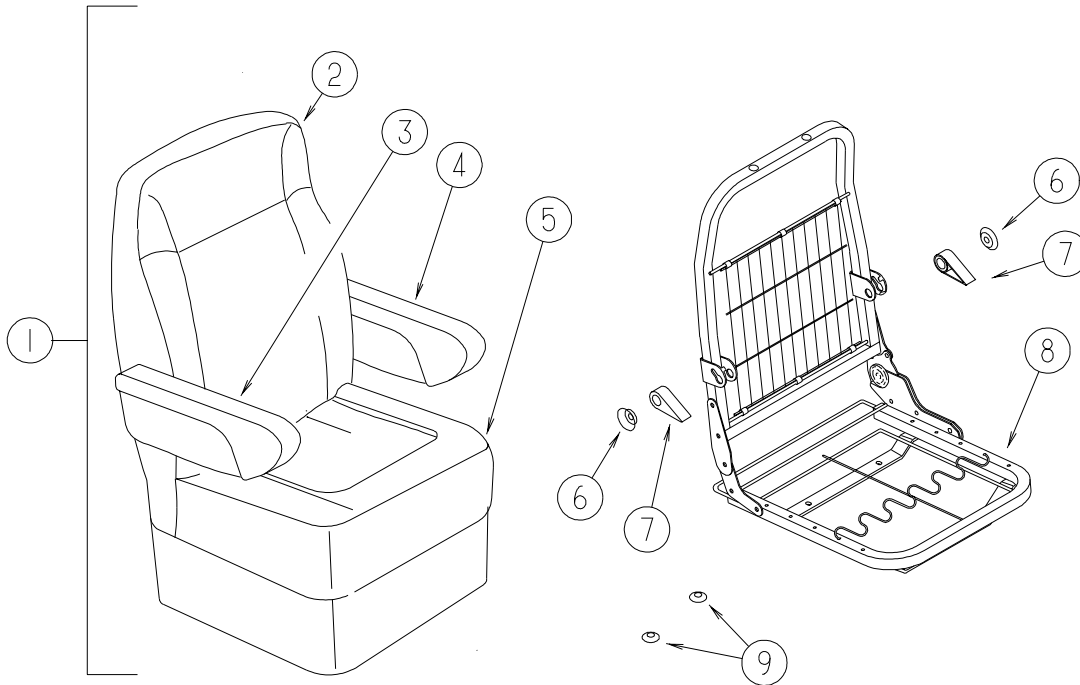
KEY	PART NUMBER	U/M	DESCRIPTION
1		EA	SOFA - SEE SOFA AREA
2	132263-02-N01	EA	BUCKET SEAT - PASSENGER - FORD FROM: 00-00-00 THRU: 10-21-01
2	136590-02-N01	EA	BUCKET SEAT - PASSENGER - FORD FROM: 10-22-01 THRU: 99-99-99
2	132263-02-N02	EA	BUCKET SEAT - PASSENGER - FORD FROM: 00-00-00 THRU: 10-21-01
2	136590-02-N02	EA	BUCKET SEAT - PASSENGER - FORD FROM: 10-22-01 THRU: 99-99-99
2	132263-02-N03	EA	BUCKET SEAT - PASSENGER - FORD FROM: 00-00-00 THRU: 10-21-01
2	136590-02-N03	EA	BUCKET SEAT - PASSENGER - FORD FROM: 10-22-01 THRU: 99-99-99
2	132263-04-N01	EA	BUCKET SEAT - PASSENGER - W/SKIRT - CHEVY FROM: 00-00-00 THRU: 10-21-01
2	136590-04-N01	EA	BUCKET SEAT - PASSENGER - W/SKIRT - CHEVY FROM: 10-22-01 THRU: 99-99-99
2	132263-04-N02	EA	BUCKET SEAT - PASSENGER - W/SKIRT - CHEVY FROM: 00-00-00 THRU: 10-21-01
2	136590-04-N02	EA	BUCKET SEAT - PASSENGER - W/SKIRT - CHEVY FROM: 10-22-01 THRU: 99-99-99
2	132263-04-N03	EA	BUCKET SEAT - PASSENGER - W/SKIRT - CHEVY FROM: 00-00-00 THRU: 10-21-01
2	136590-04-N03	EA	BUCKET SEAT - PASSENGER - W/SKIRT - CHEVY FROM: 10-22-01 THRU: 99-99-99
2	132263-12-N01	EA	BUCKET SEAT - PASSENGER - LEATHER - FORD FROM: 00-00-00 THRU: 10-21-01
2	136590-06-N01	EA	BUCKET SEAT - PASSENGER - LEATHER - FORD FROM: 10-22-01 THRU: 99-99-99
2	132263-16-N01	EA	BUCKET SEAT - PASSENGER/W/SKIRT - LEATHER - CHEVY FROM: 00-00-00 THRU: 10-21-01
2	136590-08-N01	EA	BUCKET SEAT - PASSENGER - W/SKIRT - LEATHER - CHEVY FROM: 10-22-01 THRU: 99-99-99
3	111897-14-N01	EA	CUSHION - BACK - 13.5" X 42" X 5" (N01)
3	111897-14-M05	EA	CUSHION - BACK - 13.5" X 42" X 5" (N02)
3	111897-14-N03	EA	CUSHION - BACK - 13.5" X 42" X 5" (N03)
	P11897-14-N01	EA	COVER - BACK - 13.5" X 42" X 5" (N01)
	P11897-14-M05	EA	COVER - BACK - 13.5" X 42" X 5" (N02)
	P11897-14-N03	EA	COVER - BACK - 13.5" X 42" X 5" (N03)

**CURTAIN & CUSHION GROUP (CONTINUED)**  
**CUSHION LAYOUT (CONTINUED)**

KEY	PART NUMBER	U/M	DESCRIPTION
4	105603-15-N01	EA	CUSHION - SEAT - 23" X 42" X 5" (N01)
4	105603-15-M05	EA	CUSHION - SEAT - 23" X 42" X 5" (N02)
4	105603-15-N03	EA	CUSHION - SEAT - 23" X 42" X 5" (N03)
	P05603-15-N01	EA	COVER - SEAT - 23" X 42" X 5" (N01)
	P05603-15-M05	EA	COVER - SEAT - 23" X 42" X 5" (N02)
	P05603-15-N03	EA	COVER - SEAT - 23" X 42" X 5" (N03)
5	105573-10-N01	EA	CUSHION - OVERHEAD BUNK/REAR - 27" X 23" X 80" X 5"
5	105573-10-N02	EA	CUSHION - OVERHEAD BUNK/REAR - 27" X 23" X 80" X 5"
5	105573-10-N03	EA	CUSHION - OVERHEAD BUNK/REAR - 27" X 23" X 80" X 5"
	P05573-10-N01	EA	COVER - CUSHION/OVERHEAD BUNK/REAR - 27" X 23" X 80" X 5"
	P05573-10-N02	EA	COVER - CUSHION/OVERHEAD BUNK/REAR - 27" X 23" X 80" X 5"
	P05573-10-N03	EA	COVER - CUSHION/OVERHEAD BUNK/REAR - 27" X 23" X 80" X 5"
6	105573-09-N01	EA	CUSHION - OVERHEAD BUNK/FRONT - 32.5" X 80" X 5" (N01)
6	105573-09-M05	EA	CUSHION - OVERHEAD BUNK/FRONT - 32.5" X 80" X 5" (N02)
6	105573-09-N03	EA	CUSHION - OVERHEAD BUNK/FRONT - 32.5" X 80" X 5" (N03)
	P05573-09-N01	EA	COVER - CUSHION/OVERHEAD BUNK/FRONT - 32.5" X 80" X 5" (N01)
	P05573-09-M05	EA	COVER - CUSHION/OVERHEAD BUNK/FRONT - 32.5" X 80" X 5" (N02)
	P05573-09-N03	EA	COVER - CUSHION/OVERHEAD BUNK/FRONT - 32.5" X 80" X 5" (N03)
7	132263-01-N01	EA	BUCKET SEAT - DRIVER - FORD
			FROM: 00-00-00 THRU: 10-21-01
7	136590-01-N01	EA	BUCKET SEAT - DRIVER - FORD
			FROM: 10-22-01 THRU: 99-99-99
7	132263-01-N02	EA	BUCKET SEAT - DRIVER - FORD
			FROM: 00-00-00 THRU: 10-21-01
7	136590-01-N02	EA	BUCKET SEAT - DRIVER - FORD
			FROM: 10-22-01 THRU: 99-99-99
7	132263-01-N03	EA	BUCKET SEAT - DRIVER - FORD
			FROM: 00-00-00 THRU: 10-21-01
7	136590-01-N03	EA	BUCKET SEAT - DRIVER - FORD
			FROM: 10-22-01 THRU: 99-99-99
7	132263-03-N01	EA	BUCKET SEAT - DRIVER - W/SKIRT - CHEVY
			FROM: 00-00-00 THRU: 10-21-01
7	136590-03-N01	EA	BUCKET SEAT - DRIVER - W/SKIRT - CHEVY
			FROM: 10-22-01 THRU: 99-99-99
7	132263-03-N02	EA	BUCKET SEAT - DRIVER - W/SKIRT - CHEVY
			FROM: 00-00-00 THRU: 10-21-01
7	136590-03-N02	EA	BUCKET SEAT - DRIVER - W/SKIRT - CHEVY
			FROM: 10-22-01 THRU: 99-99-99
7	132263-03-N03	EA	BUCKET SEAT - DRIVER - W/SKIRT - CHEVY
			FROM: 00-00-00 THRU: 10-21-01
7	136590-03-N03	EA	BUCKET SEAT - DRIVER - W/SKIRT - CHEVY
			FROM: 10-22-01 THRU: 99-99-99
7	132263-11-N01	EA	BUCKET SEAT - DRIVER - LEATHER - FORD
			FROM: 00-00-00 THRU: 10-21-01
7	136590-05-N01	EA	BUCKET SEAT - DRIVER - LEATHER - FORD
			FROM: 10-22-01 THRU: 99-99-99
7	132263-15-N01	EA	BUCKET SEAT - DRIVER/W/SKIRT - LEATHER - CHEVY
			FROM: 00-00-00 THRU: 10-21-01
7	136590-07-N01	EA	BUCKET SEAT - DRIVER - W/SKIRT - LEATHER - CHEVY
			FROM: 10-22-01 THRU: 99-99-99

# CURTAIN & CUSHION GROUP (CONTINUED)

## BUCKET SEATS



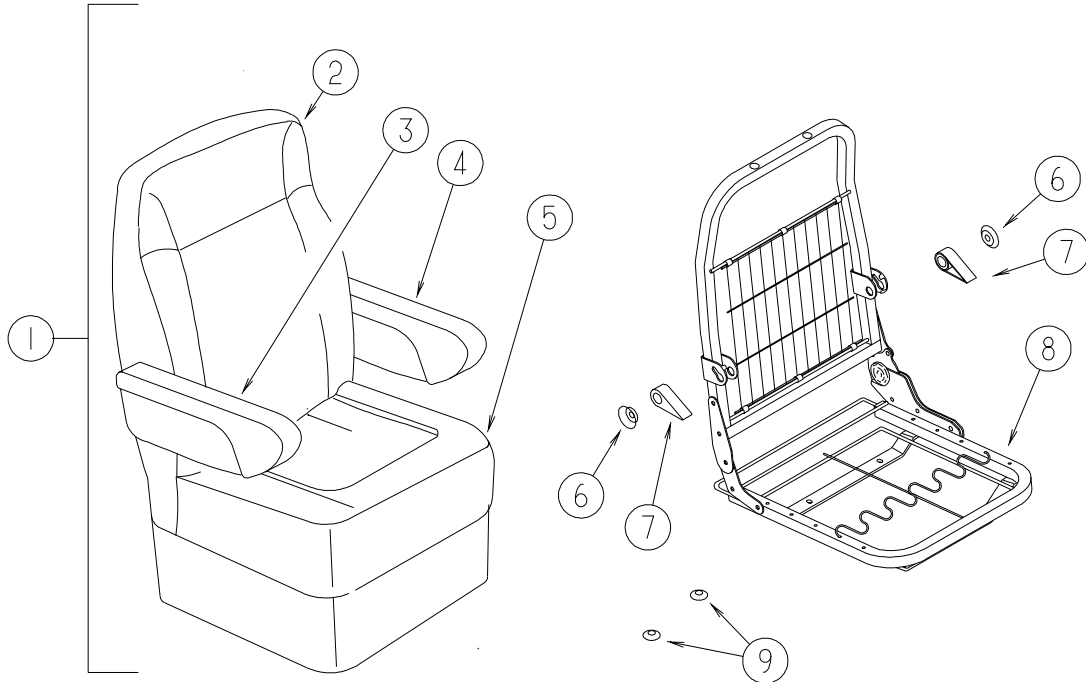
KEY	PART NUMBER	U/M	DESCRIPTION
1	132263-01-N01	EA	BUCKET SEAT - DRIVER - FORD FROM: 00-00-00 THRU: 10-21-01
1	136590-01-N01	EA	BUCKET SEAT - DRIVER - FORD FROM: 10-22-01 THRU: 99-99-99
1	132263-01-N02	EA	BUCKET SEAT - DRIVER - FORD FROM: 00-00-00 THRU: 10-21-01
1	136590-01-N02	EA	BUCKET SEAT - DRIVER - FORD FROM: 10-22-01 THRU: 99-99-99
1	132263-01-N03	EA	BUCKET SEAT - DRIVER - FORD FROM: 00-00-00 THRU: 10-21-01
1	136590-01-N03	EA	BUCKET SEAT - DRIVER - FORD FROM: 10-22-01 THRU: 99-99-99
1	132263-03-N01	EA	BUCKET SEAT - DRIVER - W/SKIRT - CHEVY FROM: 00-00-00 THRU: 10-21-01
1	136590-03-N01	EA	BUCKET SEAT - DRIVER - W/SKIRT - CHEVY FROM: 10-22-01 THRU: 99-99-99
1	132263-03-N02	EA	BUCKET SEAT - DRIVER - W/SKIRT - CHEVY FROM: 00-00-00 THRU: 10-21-01
1	136590-03-N02	EA	BUCKET SEAT - DRIVER - W/SKIRT - CHEVY FROM: 10-22-01 THRU: 99-99-99
1	132263-03-N03	EA	BUCKET SEAT - DRIVER - W/SKIRT - CHEVY FROM: 00-00-00 THRU: 10-21-01
1	136590-03-N03	EA	BUCKET SEAT - DRIVER - W/SKIRT - CHEVY FROM: 10-22-01 THRU: 99-99-99
1	132263-11-N01	EA	BUCKET SEAT - DRIVER - LEATHER - FORD FROM: 00-00-00 THRU: 10-21-01
1	136590-05-N01	EA	BUCKET SEAT - DRIVER - LEATHER - FORD FROM: 10-22-01 THRU: 99-99-99
1	132263-15-N01	EA	BUCKET SEAT - DRIVER/W/SKIRT - LEATHER - CHEVY FROM: 00-00-00 THRU: 10-21-01
1	136590-07-N01	EA	BUCKET SEAT - DRIVER - W/SKIRT - LEATHER - CHEVY FROM: 10-22-01 THRU: 99-99-99



**CURTAIN & CUSHION GROUP (CONTINUED)**  
**BUCKET SEATS (CONTINUED)**

KEY	PART NUMBER	U/M	DESCRIPTION
1	132263-02-N01	EA	BUCKET SEAT - PASSENGER - FORD FROM: 00-00-00 THRU: 10-21-01
1	136590-02-N01	EA	BUCKET SEAT - PASSENGER - FORD FROM: 10-22-01 THRU: 99-99-99
1	132263-02-N02	EA	BUCKET SEAT - PASSENGER - FORD FROM: 00-00-00 THRU: 10-21-01
1	136590-02-N02	EA	BUCKET SEAT - PASSENGER - FORD FROM: 10-22-01 THRU: 99-99-99
1	132263-02-N03	EA	BUCKET SEAT - PASSENGER - FORD FROM: 00-00-00 THRU: 10-21-01
1	136590-02-N03	EA	BUCKET SEAT - PASSENGER - FORD FROM: 10-22-01 THRU: 99-99-99
1	132263-04-N01	EA	BUCKET SEAT - PASSENGER - W/SKIRT - CHEVY FROM: 00-00-00 THRU: 10-21-01
1	136590-04-N01	EA	BUCKET SEAT - PASSENGER - W/SKIRT - CHEVY FROM: 10-22-01 THRU: 99-99-99
1	132263-04-N02	EA	BUCKET SEAT - PASSENGER - W/SKIRT - CHEVY FROM: 00-00-00 THRU: 10-21-01
1	136590-04-N02	EA	BUCKET SEAT - PASSENGER - W/SKIRT - CHEVY FROM: 10-22-01 THRU: 99-99-99
1	132263-04-N03	EA	BUCKET SEAT - PASSENGER - W/SKIRT - CHEVY FROM: 00-00-00 THRU: 10-21-01
1	136590-04-N03	EA	BUCKET SEAT - PASSENGER - W/SKIRT - CHEVY FROM: 10-22-01 THRU: 99-99-99
1	132263-12-N01	EA	BUCKET SEAT - PASSENGER - LEATHER - FORD FROM: 00-00-00 THRU: 10-21-01
1	136590-06-N01	EA	BUCKET SEAT - PASSENGER - LEATHER - FORD FROM: 10-22-01 THRU: 99-99-99
1	132263-16-N01	EA	BUCKET SEAT - PASSENGER/W/SKIRT - LEATHER - CHEVY FROM: 00-00-00 THRU: 10-21-01
1	136590-08-N01	EA	BUCKET SEAT - PASSENGER - W/SKIRT - LEATHER - CHEVY FROM: 10-22-01 THRU: 99-99-99
2	M05962-F4-N01	EA	COVER - BACK FROM: 00-00-00 THRU: 10-21-01
2	M05962-E1-N01	EA	COVER - BACK FROM: 10-22-01 THRU: 99-99-99
2	M05962-F4-N02	EA	COVER - BACK FROM: 00-00-00 THRU: 10-21-01
2	M05962-E1-N02	EA	COVER - BACK FROM: 10-22-01 THRU: 99-99-99
2	M05962-F4-N03	EA	COVER - BACK FROM: 00-00-00 THRU: 10-21-01
2	M05962-E1-N03	EA	COVER - BACK FROM: 10-22-01 THRU: 99-99-99
2	M05962-F5-N01	EA	COVER - BACK - LEATHER FROM: 00-00-00 THRU: 10-21-01
2	M05962-E4-M01	EA	COVER - BACK - LEATHER FROM: 10-22-01 THRU: 99-99-99
3	129666-07-N01	EA	ARMREST - RIGHT HAND
3	129666-07-N02	EA	ARMREST - RIGHT HAND
3	129666-07-N03	EA	ARMREST - RIGHT HAND
3	129666-09-N01	EA	ARMREST - RIGHT HAND - LEATHER
	P29666-07-N01	EA	COVER - ARMREST/RIGHT HAND
	P29666-07-N02	EA	COVER - ARMREST/RIGHT HAND
	P29666-07-N03	EA	COVER - ARMREST/RIGHT HAND
	P29666-09-N01	EA	COVER - ARMREST/RIGHT HAND - LEATHER
	130698-01-000	EA	ARMREST/MOLDED - RIGHT - W/O COVER
	130698-01-001	EA	ARMREST/MOLDED - RIGHT - W/O COVER - F/LEATHER
4	129666-08-N01	EA	ARMREST - LEFT HAND
4	129666-08-N02	EA	ARMREST - LEFT HAND
4	129666-08-N03	EA	ARMREST - LEFT HAND
4	129666-10-N01	EA	ARMREST - LEFT HAND - LEATHER
	P29666-08-N01	EA	COVER - ARMREST/LEFT HAND

**CURTAIN & CUSHION GROUP (CONTINUED)**  
**BUCKET SEATS (CONTINUED)**



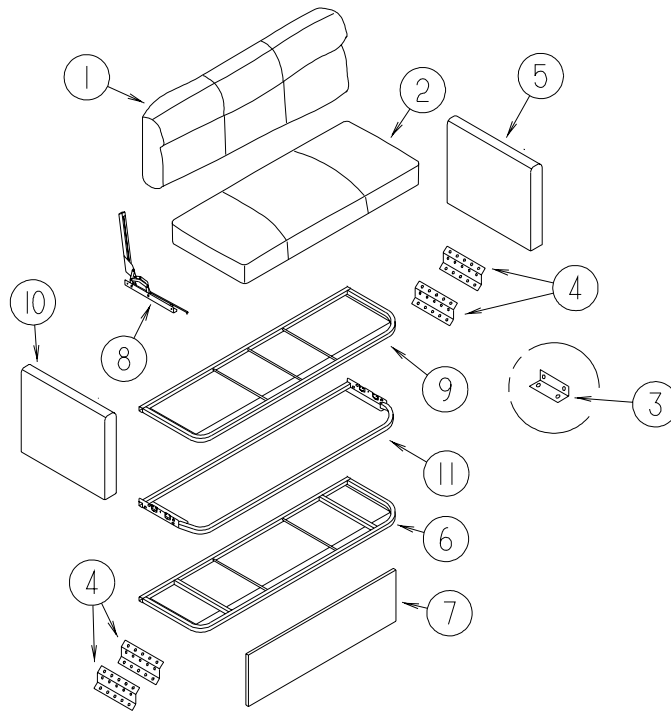
KEY	PART NUMBER	U/M	DESCRIPTION	
	P29666-08-N02	EA	COVER - ARMREST/LEFT HAND	
	P29666-08-N03	EA	COVER - ARMREST/LEFT HAND	
	P29666-10-N01	EA	COVER - ARMREST/LEFT HAND - LEATHER	
	130698-02-000	EA	ARMREST/MOLDED - LEFT - W/O COVER	
	130698-02-002	EA	ARMREST/MOLDED - LEFT - W/O COVER - F/LEATHER	
5	M05962-89-N01	EA	COVER/SEAT - DRIVER - FORD	
5	M05962-E2-N01	EA	COVER - SEAT - DRIVER - FORD	FROM: 00-00-00 THRU: 10-21-01
5	M05962-89-N02	EA	COVER/SEAT - DRIVER - FORD	FROM: 10-22-01 THRU: 99-99-99
5	M05962-E2-N02	EA	COVER - SEAT - DRIVER - FORD	FROM: 00-00-00 THRU: 10-21-01
5	M05962-E2-N02	EA	COVER - SEAT - DRIVER - FORD	FROM: 10-22-01 THRU: 99-99-99
5	M05962-89-N03	EA	COVER/SEAT - DRIVER - FORD	
5	M05962-E2-N03	EA	COVER - SEAT - DRIVER - FORD	FROM: 00-00-00 THRU: 10-21-01
5	M05962-E2-N03	EA	COVER - SEAT - DRIVER - FORD	FROM: 10-22-01 THRU: 99-99-99
5	M05962-90-N01	EA	COVER/SEAT - W/SKIRT - DRIVER - CHEVY	FROM: 00-00-00 THRU: 10-21-01
5	M05962-E3-N01	EA	COVER - SEAT - W/SKIRT - DRIVER - CHEVY	FROM: 10-22-01 THRU: 99-99-99
5	M05962-90-N02	EA	COVER/SEAT - W/SKIRT - DRIVER - CHEVY	FROM: 00-00-00 THRU: 10-21-01
5	M05962-E3-N02	EA	COVER - SEAT - W/SKIRT - DRIVER - CHEVY	FROM: 10-22-01 THRU: 99-99-99
5	M05962-90-N03	EA	COVER/SEAT - W/SKIRT - DRIVER - CHEVY	FROM: 00-00-00 THRU: 10-21-01
5	M05962-E3-N03	EA	COVER - SEAT - W/SKIRT - DRIVER - CHEVY	FROM: 10-22-01 THRU: 99-99-99

**CURTAIN & CUSHION GROUP (CONTINUED)**  
**BUCKET SEATS (CONTINUED)**

KEY	PART NUMBER	U/M	DESCRIPTION
5	M05962-B2-M01	EA	COVER - SEAT - LEATHER - DRIVER/PASSENGER - FORD FROM: 00-00-00 THRU: 10-21-01
5	M05962-E5-M01	EA	COVER - SEAT - LEATHER - DRIVER/PASSENGER - FORD FROM: 10-22-01 THRU: 99-99-99
5	M05962-D3-M01	EA	COVER - SEAT - W/SKIRT - LEATHER - DRIVER/PASSENGER - CHEVY FROM: 00-00-00 THRU: 10-21-01
5	M05962-E6-M01	EA	COVER - SEAT - W/SKIRT - LEATHER - DRIVER/PASSENGER - CHEVY FROM: 10-22-01 THRU: 99-99-99
6	130802-03-000	EA	SCREW F/LEVER
7	130802-02-000	EA	LEVER - RIGHT HAND
7	130802-01-000	EA	LEVER - LEFT HAND
8	132875-02-000	EA	FRAME - LEFT HAND CHAIR/TALL BACK FROM: 00-00-00 THRU: 10-21-01
8	132875-04-000	EA	FRAME - LEFT HAND CHAIR/TAPERED BACK FROM: 10-22-01 THRU: 99-99-99
8	132875-01-000	EA	FRAME - RIGHT HAND CHAIR/TAPERED BACK FROM: 00-00-00 THRU: 10-21-01
8	132875-03-000	EA	FRAME - RIGHT HAND CHAIR/TAPERED BACK FROM: 10-22-01 THRU: 99-99-99
9	007221-01-000	EA	SPACER - SEAT/ADJUSTER

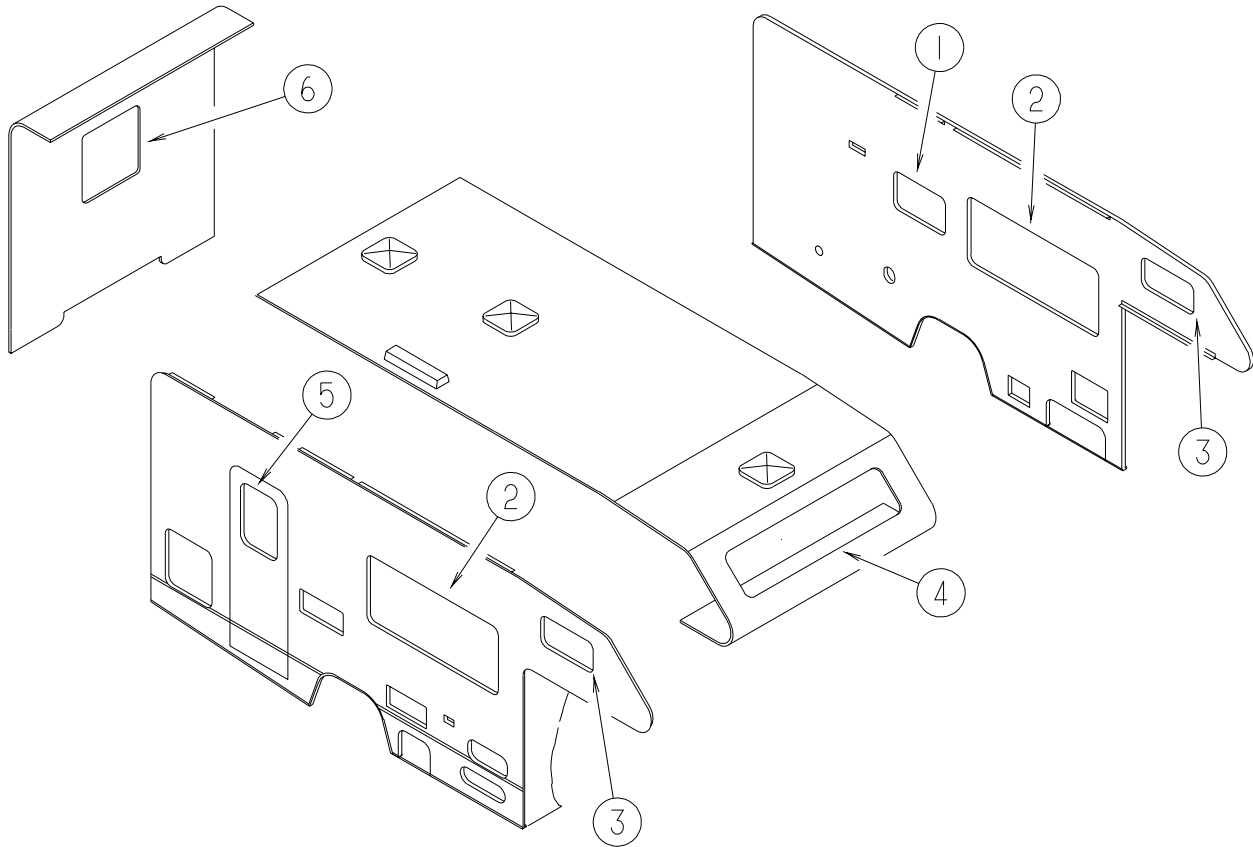
## CURTAIN & CUSHION GROUP (CONTINUED)

### SOFA



KEY	PART NUMBER	U/M	DESCRIPTION
1	111319-01-N01	EA	BACK - SOFA/BED - W/FRAME - 74" (N01)
1	111319-01-M05	EA	BACK - SOFA/BED - W/FRAME - 74" (N02)
1	111319-01-N03	EA	BACK - SOFA/BED - W/FRAME - 74" (N03)
	P11319-01-N01	EA	COVER - BACK - SOFA/BED - 74" (N01)
	P11319-01-M05	EA	COVER - BACK - SOFA/BED - 74" (N02)
	P11319-01-N03	EA	COVER - BACK - SOFA/BED - 74" (N03)
2	100032-43-N01	EA	SEAT - SOFA/BED - W/FRAME - 74" - W/O ARMS (N01)
2	100032-43-M05	EA	SEAT - SOFA/BED - W/FRAME - 74" - W/O ARMS (N02)
2	100032-43-N03	EA	SEAT - SOFA/BED - W/FRAME - 74" - W/O ARMS (N03)
	P00032-43-N01	EA	COVER - SEAT - SOFA/BED - 74" - W/O ARMS (N01)
	P00032-43-M05	EA	COVER - SEAT - SOFA/BED - 74" - W/O ARMS (N02)
	P00032-43-N03	EA	COVER - SEAT - SOFA/BED - 74" - W/O ARMS (N03)
3	082525-01-000	EA	BRACE - COUCH - FLOOR MOUNT - ANGLE 3" LONG
4	101926-01-02A	EA	BRACKET - ZEE - 2" - BLACK
5	M05968-10-N01	EA	PANEL/LEFT END - SOFA/BED - FABRIC COVERED (N01)
5	M05968-10-M05	EA	PANEL/LEFT END - SOFA/BED - FABRIC COVERED (N02)
5	M05968-10-N03	EA	PANEL/LEFT END - SOFA/BED - FABRIC COVERED (N03)
6	101085-10-000	EA	FRAME - BACK - SOFA/BED - 74.75"
7	M05968-06-N01	EA	PANEL/FRONT KICK - SOFA/BED - FABRIC COVERED (N01)
7	M05968-06-M05	EA	PANEL/FRONT KICK - SOFA/BED - FABRIC COVERED (N02)
7	M05968-06-N03	EA	PANEL/FRONT KICK - SOFA/BED - FABRIC COVERED (N03)
8	122556-04-01A	EA	LOCK - JACK KNIFE SEAT - <a href="#">CANADIAN</a>
	113990-09-000	EA	LOCK - BRACKET - MALE - <a href="#">CANADIAN</a>
9	101085-04-000	EA	FRAME - SEAT - SOFA/BED - 74.75"
10	M05968-04-N01	EA	PANEL/RIGHT END - SOFA/BED - FABRIC COVERED (N01)
10	M05968-04-M05	EA	PANEL/RIGHT END - SOFA/BED - FABRIC COVERED (N02)
10	M05968-04-N03	EA	PANEL/RIGHT END - SOFA/BED - FABRIC COVERED (N03)
11	101085-06-000	EA	FRAME - BASE - SOFA/BED - 74.75"

**CURTAIN & CUSHION GROUP (CONTINUED)**  
**WINDOW TREATMENT**

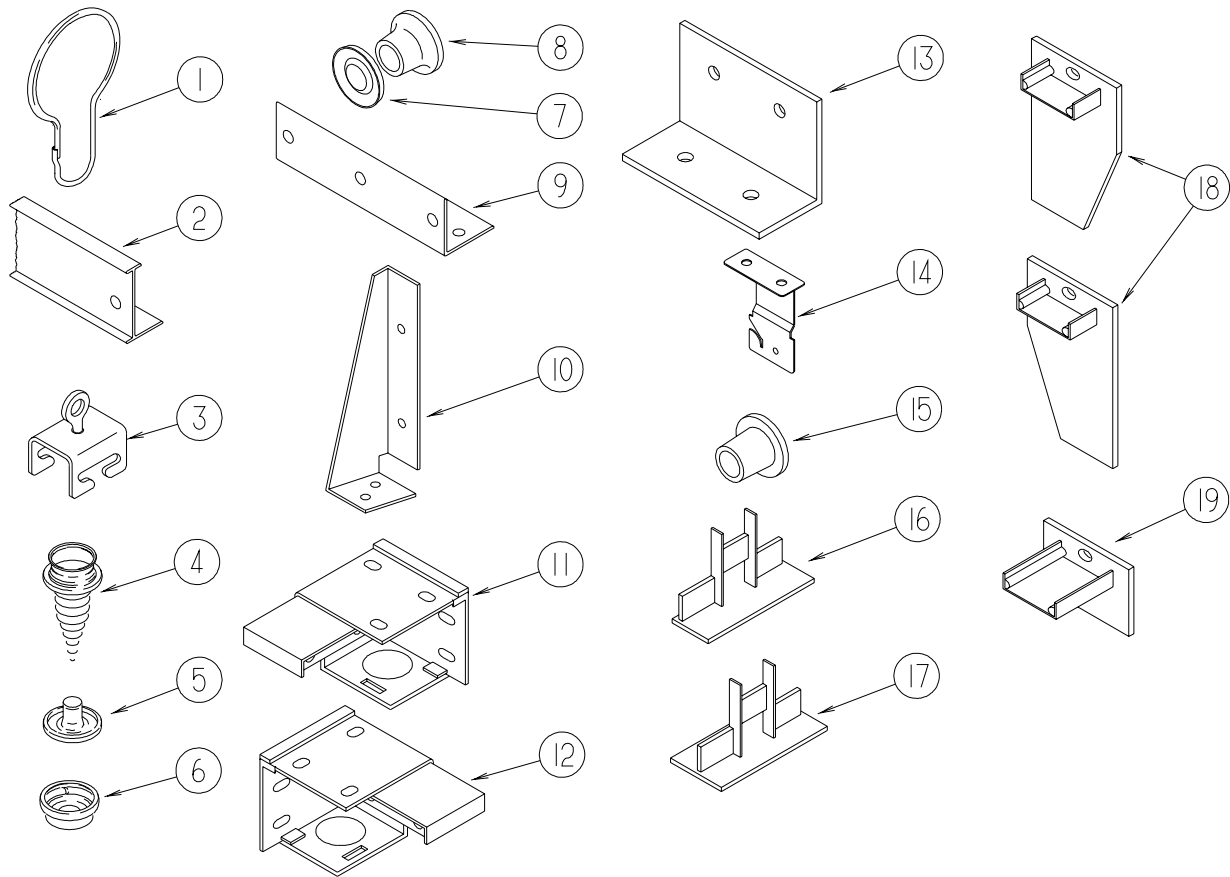


KEY	PART NUMBER	U/M	DESCRIPTION
1	109041-44-04A	EA	BLIND - MINI - 30.5" X 18"
2	132349-16-N01	EA	VALANCE - BUTTON WRAP - 64.5"
2	132349-16-N02	EA	VALANCE - BUTTON WRAP - 64.5"
2	132349-16-N03	EA	VALANCE - BUTTON WRAP - 64.5"
2	111910-57-N01	EA	BLIND - DAY/NIGHTER - 61" X 28.5" (N01) FROM: 00-00-00 THRU: 11-04-01
2	140789-14-N01	EA	BLIND - DAY/NIGHTER - 61" X 28.5" (N01) FROM: 11-05-01 THRU: 99-99-99
2	111910-57-N02	EA	BLIND - DAY/NIGHTER - 61" X 28.5" (N02, N03) FROM: 00-00-00 THRU: 11-04-01
2	140789-14-N02	EA	BLIND - DAY/NIGHTER - 61" X 28.5" (N02, N03) FROM: 11-05-01 THRU: 99-99-99
2	127017-13-N01	EA	LEG - RIGHT - 25" - FABRIC COVERED
2	127017-13-N02	EA	LEG - RIGHT - 25" - FABRIC COVERED
2	127017-13-N03	EA	LEG - RIGHT - 25" - FABRIC COVERED
2	127017-14-N01	EA	LEG - LEFT - 25" - FABRIC COVERED
2	127017-14-N02	EA	LEG - LEFT - 25" - FABRIC COVERED
2	127017-14-N03	EA	LEG - LEFT - 25" - FABRIC COVERED
3	101034-63-N01	EA	CURTAIN - RIGHT HAND - 19.5" X 31" (N01)
3	101034-63-M05	EA	CURTAIN - RIGHT HAND - 19.5" X 31" (N02)
3	101034-63-N03	EA	CURTAIN - RIGHT HAND - 19.5" X 31" (N03) FROM: 00-00-00 THRU: 12-09-01
3	101034-63-NA3	EA	CURTAIN - RIGHT HAND - 19.5" X 31" (N03) FROM: 12-10-01 THRU: 99-99-99
3	101034-64-N01	EA	CURTAIN - LEFT HAND - 19.5" X 31" (N01)
3	101034-64-M05	EA	CURTAIN - LEFT HAND - 19.5" X 31" (N02)
3	101034-64-N03	EA	CURTAIN - LEFT HAND - 19.5" X 31" (N03) FROM: 00-00-00 THRU: 12-09-01
3	101034-64-NA3	EA	CURTAIN - LEFT HAND - 19.5" X 31" (N03) FROM: 12-10-01 THRU: 99-99-99

**CURTAIN & CUSHION GROUP (CONTINUED)**  
**WINDOW TREATMENT (CONTINUED)**

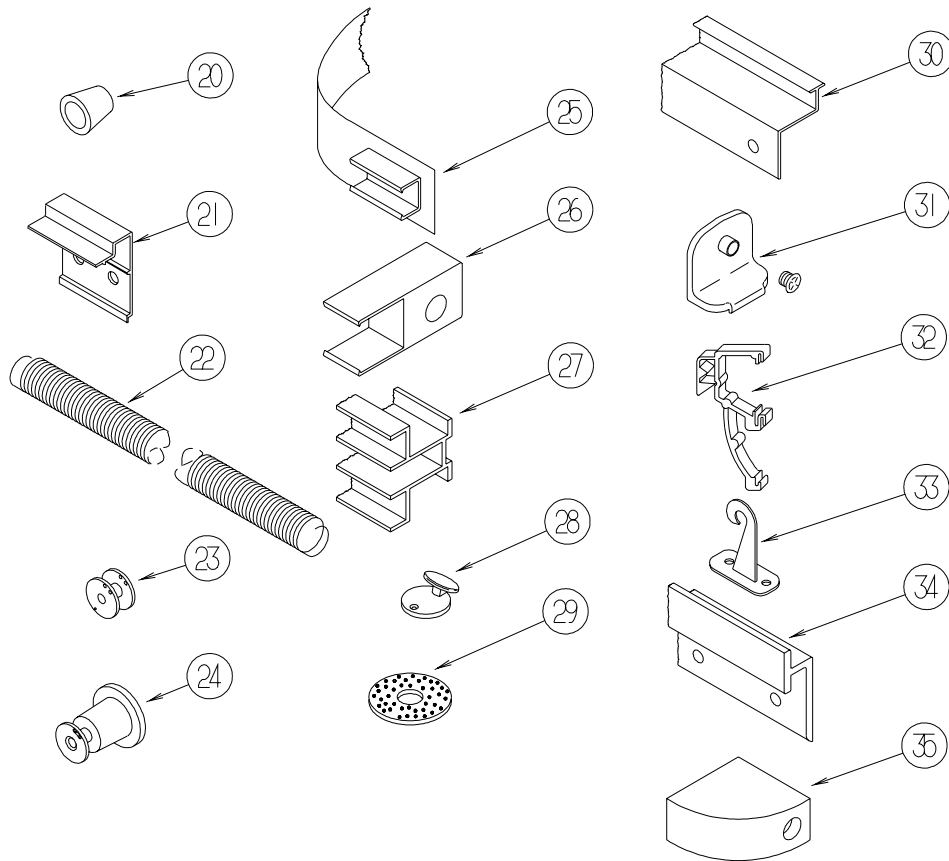
KEY	PART NUMBER	U/M	DESCRIPTION
4	101034-61-N01	EA	CURTAIN - RIGHT HAND - 21" X 56" (N01)
4	101034-61-M05	EA	CURTAIN - RIGHT HAND - 21" X 56" (N02)
4	101034-61-N03	EA	CURTAIN - RIGHT HAND - 21" X 56" (N03)
			FROM: 00-00-00 THRU: 12-09-01
4	101034-61-NA3	EA	CURTAIN - RIGHT HAND - 21" X 56" (N03)
			FROM: 12-10-01 THRU: 99-99-99
4	101034-62-N01	EA	CURTAIN - LEFT HAND - 21" X 56" (N01)
4	101034-62-M05	EA	CURTAIN - LEFT HAND - 21" X 56" (N02)
4	101034-62-N03	EA	CURTAIN - LEFT HAND - 21" X 56" (N03)
			FROM: 00-00-00 THRU: 12-09-01
4	101034-62-NA3	EA	CURTAIN - LEFT HAND - 21" X 56" (N03)
			FROM: 12-10-01 THRU: 99-99-99
5	132349-17-N01	EA	VALANCE - BUTTON WRAP - 29"
5	132349-17-N02	EA	VALANCE - BUTTON WRAP - 29"
5	132349-17-N03	EA	VALANCE - BUTTON WRAP - 29"
5	084755-57-E07	EA	SHADE - PULL - 27.25"
6	109041-35-04A	EA	BLIND - MINI - 28.5" X 19"
	076892-25-N01	EA	CURTAIN - CAB PRIVACY - 40" X 74" (N01)
	076892-25-N02	EA	CURTAIN - CAB PRIVACY - 40" X 74" (N02)
	076892-25-N03	EA	CURTAIN - CAB PRIVACY - 40" X 74" (N03)
			FROM: 00-00-00 THRU: 12-09-01
	076892-25-NA3	EA	CURTAIN - CAB PRIVACY - 40" X 74" (N03)
			FROM: 12-10-01 THRU: 99-99-99
	101668-39-N01	EA	CURTAIN - RIGHT HAND - 35" X 50" (N01) <a href="#">BUNK PRIVACY</a>
	101668-39-M05	EA	CURTAIN - RIGHT HAND - 35" X 50" (N02) <a href="#">BUNK PRIVACY</a>
	101668-39-N03	EA	CURTAIN - RIGHT HAND - 35" X 50" (N03) <a href="#">BUNK PRIVACY</a>
			FROM: 00-00-00 THRU: 12-09-01
	101668-39-NA3	EA	CURTAIN - RIGHT HAND - 35" X 50" (N03) <a href="#">BUNK PRIVACY</a>
			FROM: 12-10-01 THRU: 99-99-99
	101668-40-N01	EA	CURTAIN - LEFT HAND - 35" X 50" (N01) <a href="#">BUNK PRIVACY</a>
	101668-40-M05	EA	CURTAIN - LEFT HAND - 35" X 50" (N02) <a href="#">BUNK PRIVACY</a>
	101668-40-N03	EA	CURTAIN - LEFT HAND - 35" X 50" (N03) <a href="#">BUNK PRIVACY</a>
			FROM: 00-00-00 THRU: 12-09-01
	101668-40-NA3	EA	CURTAIN - LEFT HAND - 35" X 50" (N03) <a href="#">BUNK PRIVACY</a>
			FROM: 12-10-01 THRU: 99-99-99
	073260-23-N01	EA	TIEBACK - 3" X 18" (N01) <a href="#">BUNK PRIVACY</a>
	073260-23-M05	EA	TIEBACK - 3" X 18" (N02) <a href="#">BUNK PRIVACY</a>
	073260-23-N03	EA	TIEBACK - 3" X 18" (N03) <a href="#">BUNK PRIVACY</a>
			FROM: 00-00-00 THRU: 12-09-01
	073260-23-NA3	EA	TIEBACK - 3" X 18" (N03) <a href="#">BUNK PRIVACY</a>
			FROM: 12-10-01 THRU: 99-99-99
	101668-58-N01	EA	CURTAIN - TAPE TOP - 70" X 60" (N01) <a href="#">MID COACH PRIVACY</a>
	101668-58-M05	EA	CURTAIN - TAPE TOP - 70" X 60" (N02) <a href="#">MID COACH PRIVACY</a>
	101668-58-N03	EA	CURTAIN - TAPE TOP - 70" X 60" (N03) <a href="#">MID COACH PRIVACY</a>
			FROM: 00-00-00 THRU: 12-09-01
	101668-58-NA3	EA	CURTAIN - TAPE TOP - 70" X 60" (N03) <a href="#">MID COACH PRIVACY</a>
			FROM: 12-10-01 THRU: 99-99-99
	073260-65-N01	EA	TIEBACK - 4" X 15" (N01) <a href="#">MID COACH PRIVACY</a>
	073260-65-M05	EA	TIEBACK - 4" X 15" (N02) <a href="#">MID COACH PRIVACY</a>
	073260-65-N03	EA	TIEBACK - 4" X 15" (N03) <a href="#">MID COACH PRIVACY</a>
			FROM: 00-00-00 THRU: 12-09-01
	073260-65-NA3	EA	TIEBACK - 4" X 15" (N03) <a href="#">MID COACH PRIVACY</a>
			FROM: 12-10-01 THRU: 99-99-99

## CURTAIN & CUSHION GROUP (CONTINUED) HARDWARE



KEY	PART NUMBER	U/M	DESCRIPTION
1	009136-02-000	EA	HANGER - RING - PIN TYPE - CURTAIN - BRASS
2	009700-04-002	EA	TRACK - CURTAIN - L SHAPED - 15.5' - OFF WHITE - <b>400 SERIES</b>
2	118896-05-04A	EA	TRACK/WRAPAROUND - PASSENGER - GLACIER - <b>Q-SERIES</b>
2	118897-04-04A	EA	TRACK/WRAPAROUND - PASSENGER - GLACIER - <b>Q-SERIES</b>
2	126456-03-04A	EA	TRACK/WRAPAROUND - PASSENGER - GLACIER - <b>G-SERIES</b>
2	126456-04-04A	EA	TRACK/WRAPAROUND - DRIVER - GLACIER - <b>G-SERIES</b>
3	009702-01-000	EA	END STOP - CURTAIN CARRIER - L ROD
4	029130-01-000	EA	SCREW - SNAP STUD - #8-16 X 3/8" LONG
4	029130-03-000	EA	SCREW - SNAP STUD - #8-16 X 1" LONG
5	029155-01-000	EA	CAP - SNAP - 5/32" OUTSIDE DIAMETER OF PIN
6	029156-01-000	EA	SOCKET - SNAP - 9/16" O.D.
7	046867-02-000	EA	WASHER - HANDY BUTTON #3
8	046867-03-000	EA	GROMMET - HANDY BUTTON #3
9	075943-10-000	EA	BRACE - VALANCE - 20" - OFF WHITE
9	105648-01-02A	EA	BRACE - VALANCE - OFF/WHITE - 14"
10	076827-02-000	EA	BRACKET/LEG - 2.9" X 1.8" - TRIANGULAR - LEFT/E-COATED
11	083170-01-000	EA	BRACKET/BLIND - LEFT SIDE WHEN FACING WINDOW - CLEAR
12	083170-02-000	EA	BRACKET/BLIND - RIGHT SIDE WHEN FACING WINDOW - CLEAR
13	083125-07-000	EA	BRACE - ANGLE/COUCH - 2.5" - OFF WHITE
13	083125-08-000	EA	BRACE - ANGLE/COUCH - .75" - OFF WHITE
14	084434-01-000	EA	BRACKET - MOUNTING - ROLLER SHADE - 1 3/8"
15	094896-02-000	EA	GROMMET - CORD/PLEATED BLIND - NYLON - GRAY
16	094907-02-000	EA	END CAP - PLEATED BLIND/TOP - RH/LH - GRAY PLASTIC
17	094907-04-000	EA	END CAP - PLEATED BLIND/BOTTOM - RH/LH
18	094907-05-000	EA	END CAP - PLEATED BLIND/BOTTOM - PULL TYPE - PLASTIC
19	094907-06-000	EA	END CAP - PLEATED BLIND/TOP

**CURTAIN & CUSHION GROUP (CONTINUED)**  
**HARDWARE (CONTINUED)**



KEY	PART NUMBER	U/M	DESCRIPTION
20	097564-03-000	EA	HANDLE - KNOB - E-Z LIFT SHADE - TAN
20	097564-05-000	EA	HANDLE - KNOB - E-Z LIFT SHADE - TEAL
20	097564-06-000	EA	HANDLE - KNOB - E-Z LIFT SHADE - ALABASTER
21	097565-01-000	EA	BRACKET - MOUNTING - PLEATED BLIND
21	097565-02-000	EA	BRACKET - MOUNTING
22	097591-01-000	EA	SPRING - EXTENSION/PLEATED BLIND
23	097592-01-000	EA	SPOOL - CORD - ELEVATED BLIND HOLDUP - SMALL - CLEAR
24	097592-02-000	EA	SPOOL - CORD - ELEVATED BLIND HOLDUP - LARGE - CLEAR
	097593-02-000	FT	CORD - BLIND - PLEATED - GRAY
	097593-06-000	FT	CORD - BLIND - PLEATED - PEWTER
	097593-07-000	FT	CORD - BLIND - PLEATED - PALE JADE
	097593-10-000	FT	CORD - BLIND - PLEATED - VANILLA
25	101031-01-000	YD	TAPE/GLIDE - 4.25" SPACING
26	101033-02-000	EA	END CAP - LOW PROFILE TRACK - CLEAR
27	101033-08-000	EA	TRACK/WALL - 75"
27	101033-09-000	EA	TRACK/WALL - 32"
28	102555-03-000	EA	CLEAT - BLIND CORD - MILKY WHITE - PLASTIC
29	103242-01-000	EA	VELCRO HOOK - BEIGE 7/8" ROUND W/CENTER HOLE
29	103242-02-000	EA	VELCRO HOOK - BLACK 7/8" ROUND W/CENTER HOLE
30	105450-14-01A	EA	TRACK - CURTAIN - 90" - OFF WHITE - <a href="#">300-SERIES</a>
30	105450-15-01A	EA	TRACK - CURTAIN - 82.3" - OFF WHITE - <a href="#">200-SERIES</a>
31	106544-01-000	EA	PULL - SHADE/BRASS
	106544-01-001	EA	SCREW - SHADE/BRASS
32	109353-04-000	EA	CLIP - VALANCE SLAT MOUNTING - CLEAR PLASTIC
	109441-02-000	EA	SPACER/BRACKET - BLIND HOLD DOWN
33	109441-03-000	EA	BRACKET/HOOK - BLIND HOLD DOWN - CLOUDY
34	127254-03-05A	EA	TRACK/WRAPAROUND - PASSENGER - GLACIER - <a href="#">D-SERIES</a>
34	127254-04-05A	EA	TRACK/WRAPAROUND - DRIVER - GLACIER - <a href="#">D-SERIES &amp; F-SERIES</a>
34	127254-14-03A	EA	TRACK/WRAPAROUND - PASSENGER - GLACIER - <a href="#">F-SERIES</a>
34	133235-01-04A	EA	TRACK - CURTAIN/LEFT HAND - GLACIER - <a href="#">P-SERIES</a>
34	133236-01-04A	EA	TRACK - CURTAIN/RIGHT HAND - GLACIER - <a href="#">P-SERIES</a>
35	132504-01-N92	EA	BRACKET - SHADE



## CURTAIN & CUSHION GROUP (CONTINUED)

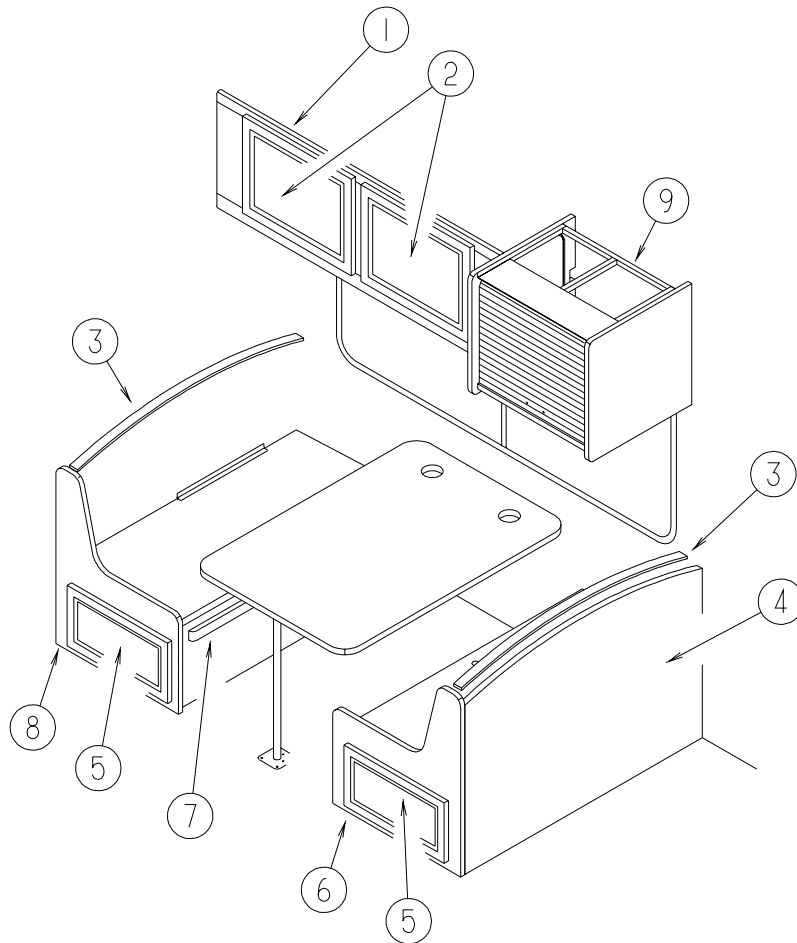
### ACCESSORIES

KEY	PART NUMBER	U/M	DESCRIPTION
	007021-01-000	EA	SEAT BELT - 2" X 90" - BLACK
	056271-01-000	EA	SEAT BELT - 2" X 102" - BLACK
	118337-01-N01	EA	BUTTON - #60 - FABRIC COVERED
	118337-01-N02	EA	BUTTON - #60 - FABRIC COVERED
	118337-01-N03	EA	BUTTON - #60 - FABRIC COVERED
	118337-04-N01	EA	BUTTON - #60 - FABRIC COVERED ( N01)
	118337-04-M05	EA	BUTTON - #60 - FABRIC COVERED ( N02)
	118337-04-N03	EA	BUTTON - #60 - FABRIC COVERED ( N03)
	074494-02-000	EA	BUTTON - RETAINING PIVOT - #60
	074494-03-000	EA	BUTTON - SERRATED PIVOT - W/3/8 TACK
	057534-03-000	EA	TIEBACK - CLEAR PLASTIC - 7.5"

**CURTAIN & CUSHION GROUP (CONTINUED)**  
FABRICS

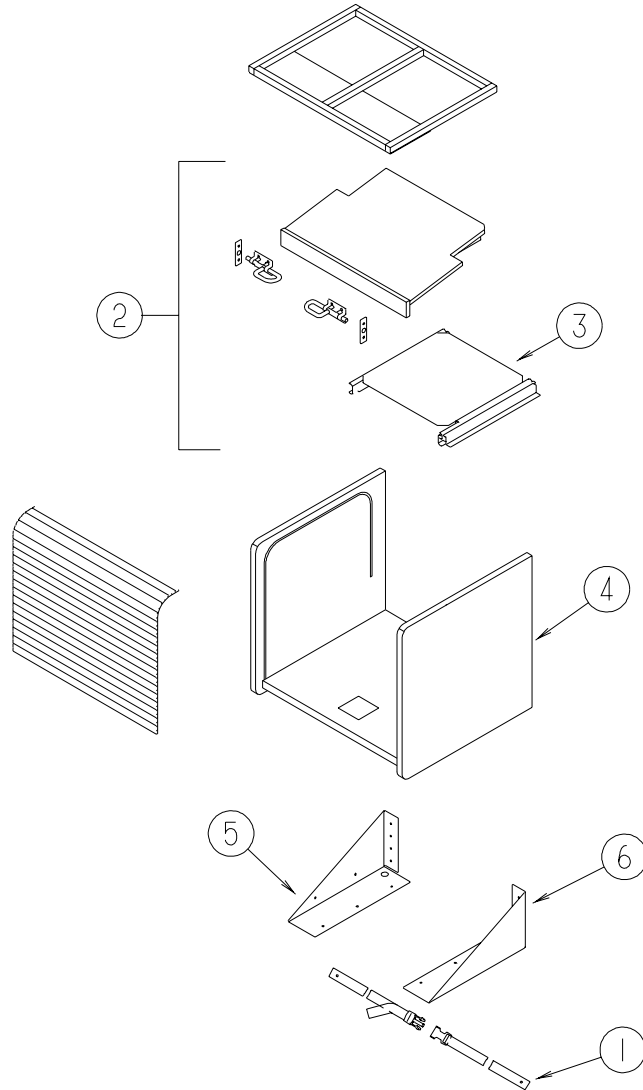
<b>2002 FAMILY BUCKET</b>	<b>N01 AQUA FROST</b>	<b>N02 BLUESTONE</b>	<b>N03 SANDSTONE</b>
	565V	565V	565V
	126883-E5-000	126883-B0-000	126883-E7-000
	*OPT. LEATH/GERM. GRAY 079680-25-000 (BOXING)	*OPT. LEATH/GERM. GRAY 079680-25-000 (BOXING)	*OPT. LEATH/GERM. GRAY 079680-25-000 (BOXING)
<b>DINETTE</b>	<b>SQUARE CLUB</b>	<b>SQUARE CLUB</b>	<b>SQUARE CLUB</b>
	126883-E4-000	126883-A2-000	126883-E6-000
<b>DINETTE PADS</b>	126883-E5-000	126883-B0-000	126883-E7-000
<b>SOFA</b>	<b>695 /K.E. JACK KNIFE</b>	<b>695 /K.E. JACK KNIFE</b>	<b>695 /K.E. JACK KNIFE</b>
	126883-E4-000	126883-A2-000	126883-E6-000
<b>LOUNGE CHAIR</b>	<b>465 CHAIR</b>	<b>465 CHAIR</b>	<b>465 CHAIR</b>
	126883-E5-000	126883-B0-000	126883-E7-000
<b>LOUNGE WINDOWS</b>	<b>BUTTON VALANCE</b>	<b>BUTTON VALANCE</b>	<b>BUTTON VALANCE</b>
	126883-E5-000/126883-E4-000	126883-B0-000/126883-A2-000	126883-E7-000/126883-E6-000
	<b>UNDERLAY/OVERLAY</b>	<b>UNDERLAY/OVERLAY</b>	<b>UNDERLAY/OVERLAY</b>
	<b>BUTTONS - 126883-E5-000</b> <b>LEGS - 126883-E5-000</b>	<b>BUTTONS - 126883-B0-000</b> <b>LEGS - 126883-B0-000</b>	<b>BUTTONS - 126883-E7-000</b> <b>LEGS - 126883-E7-000</b>
<b>LOUNGE PILLO</b>	<b>NOT NEEDED</b>	<b>NOT NEEDED</b>	<b>NOT NEEDED</b>
<b>FWA, BLACKOUT PRIVACY CURT</b>	105745-X2-000	105745-R6-000	105745-Y9-000
<b>OVERHEAD CURT</b>	105745-X2-000	105745-R6-000	105745-Y9-000
<b>OVERHEAD BUN</b>	126883-E5-000	126883-B0-000	126883-E7-000
<b>DIVIDER CURTA</b>	105745-X1-000/105745-X2-000	105745-R5-000/105745-R6-000	105745-X4-000/105745-Y9-000
<b>DAY/NIGHTER</b>	094911-31-000/126883-50-000	094911-53-000/094911-50-000	094911-53-000/094911-50-000
	<b>OCEAN SPRAY/WT. DECO</b>	<b>COTTON/WT. DECO</b>	<b>COTTON/WT. DECO</b>
<b>GALLEY BLINDS</b>	386 SNOCAP	386 SNOCAP	386 SNOCAP
<b>BEDROOM WDC TREATMENT</b>	<b>FLORENCE VALANCE</b>	<b>FLORENCE VALANCE</b>	<b>FLORENCE VALANCE</b>
	105745-X1-000/105745-X2-000	105745-R5-000/105745-R6-000	105745-X4-000/105745-Y9-000
	<b>LEGS - 105745-X1-000</b>	<b>LEGS - 105745-R5-000</b>	<b>LEGS - 105745-X4-000</b>
<b>BEDCOVER</b>	<b>THROW W/1/2" N-G WELT</b>	<b>THROW W/1/2" N-G WELT</b>	<b>THROW W/1/2" N-G WELT</b>
	105745-X1-000/105745-X2-000	105745-R5-000/105745-R6-000	105745-X4-000/105745-Y9-000
<b>QUILT PATTERN</b>	6" CHANNEL	6" CHANNEL	6" CHANNEL
<b>SHAMS</b>	<b>1/2" NON-GATH. WELT</b>	<b>1/2" NON-GATH. WELT</b>	<b>1/2" NON-GATH. WELT</b>
	105745-X1-000/105745-X2-000	105745-R5-000/105745-R6-000	105745-X4-000/105745-Y9-000
<b>BED PILLOW</b>	<b>NOT NEEDED</b>	<b>NOT NEEDED</b>	<b>NOT NEEDED</b>
<b>CARPET</b>	096060-H0-000	096060-E6-000	096060-H1-000
	<b>JADE SHEEN</b>	<b>OASIS</b>	<b>TAPIOCA</b>
<b>CARPET TAPE</b>	102695-21-000	102695-24-000	102695-12-000
<b>VINYL-EXPAND</b>	103907-01-01A	103907-01-01A	103907-01-01A
<b>VINYL-HEADLI</b>	103907-01-06A	103907-01-06A	103907-01-06A
<b>VINYL-TIRE CO</b>	103907-05-000	103907-05-000	103907-05-000
<b>CEILING</b>	113979-12-01A	113979-12-01A	113979-12-01A
<b>DRAPERY LININ</b>	087272-03-000	087272-03-000	087272-03-000

## DINETTE GROUP CABINETS



KEY	PART NUMBER	U/M	DESCRIPTION
1	121840-04-N01	EA	CABINET - OVERHEAD/FRONT - W/O DOORS/HARDWARE
2	132141-08-N01	EA	DOOR - RAIL/VENEER - 15.7" X 20.4" - W/O HARDWARE
3	111338-11-N01	EA	PAD - DINETTE SEATBACK
3	111338-11-N02	EA	PAD - DINETTE SEATBACK
3	111338-11-N03	EA	PAD - DINETTE SEATBACK
4	M08123-29-M01	EA	CABINET - SEATBACK - RIGHT HAND - W/O HARDWARE
5	131995-G4-N01	EA	DOOR - RAIL/SOLID PANEL - 10" X 19.1" - W/O HARDWARE
6	M08122-32-N01	EA	CABINET - SEATBASE/RIGHT HAND - W/O DOOR/DRAWER/HARDWARE
7	081295-01-N70	EA	SUPPORT - BED/DINETTE - 28" LONG
8	M08122-33-N01	EA	CABINET - SEATBASE/LEFT HAND - W/O DOOR/DRAWER/HARDWARE
9	M08163-07-N01	EA	CABINET - TV/VCP - W/TAMBOUR DOOR - W/O SHELF/SLIDES - <a href="#">W/TV STORAGE</a>
9	M08163-08-N01	EA	CABINET - TV/VCP - W/TAMBOUR DOOR/SHELF/SLIDES - <a href="#">W/13" TV</a>

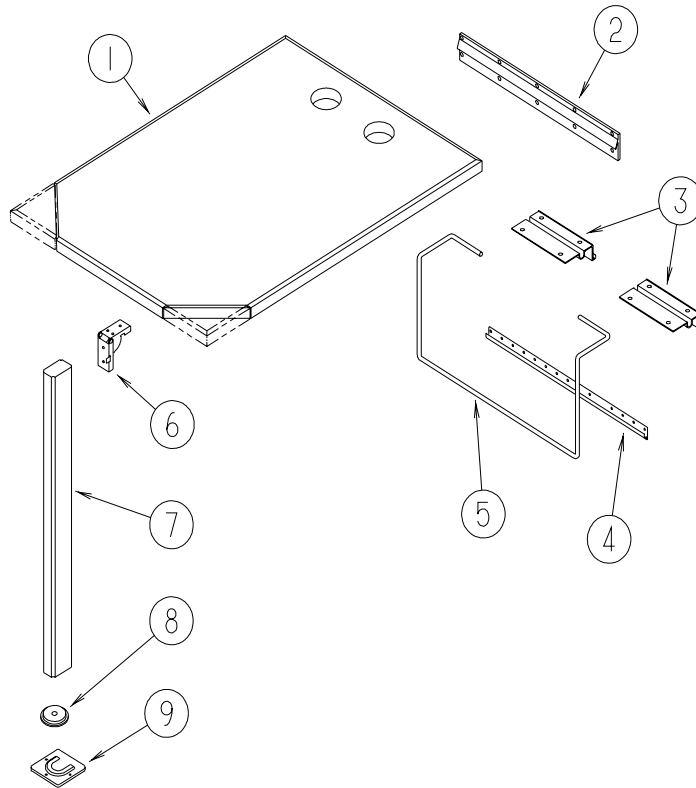
**DINETTE GROUP (CONTINUED)**  
**CABINETS (CONTINUED)**



KEY	PART NUMBER	U/M	DESCRIPTION
1	099717-04-000	EA	STRAP - W/21.2" FEMALE STRAP AND 27.1" MALE STRAP
2	125722-13-N01	EA	SHELF - W/SLIDE & SWIVEL
3	116773-02-000	EA	SWIVEL/SLIDES - F/TV SHELF - 17.9"D X 1.6"H X 15.3"W
4	109908-98-M07	EA	END CAP - OVERHEAD CABINET - PORTSMOUTH OAK
5	122298-03-02B	EA	BRACKET - TV/VCR W/ANGLE - RIGHT HAND - E-COATED
6	122298-02-02B	EA	BRACKET - TV/VCR W/ANGLE - LEFT HAND - E-COATED

# DINETTE GROUP (CONTINUED)

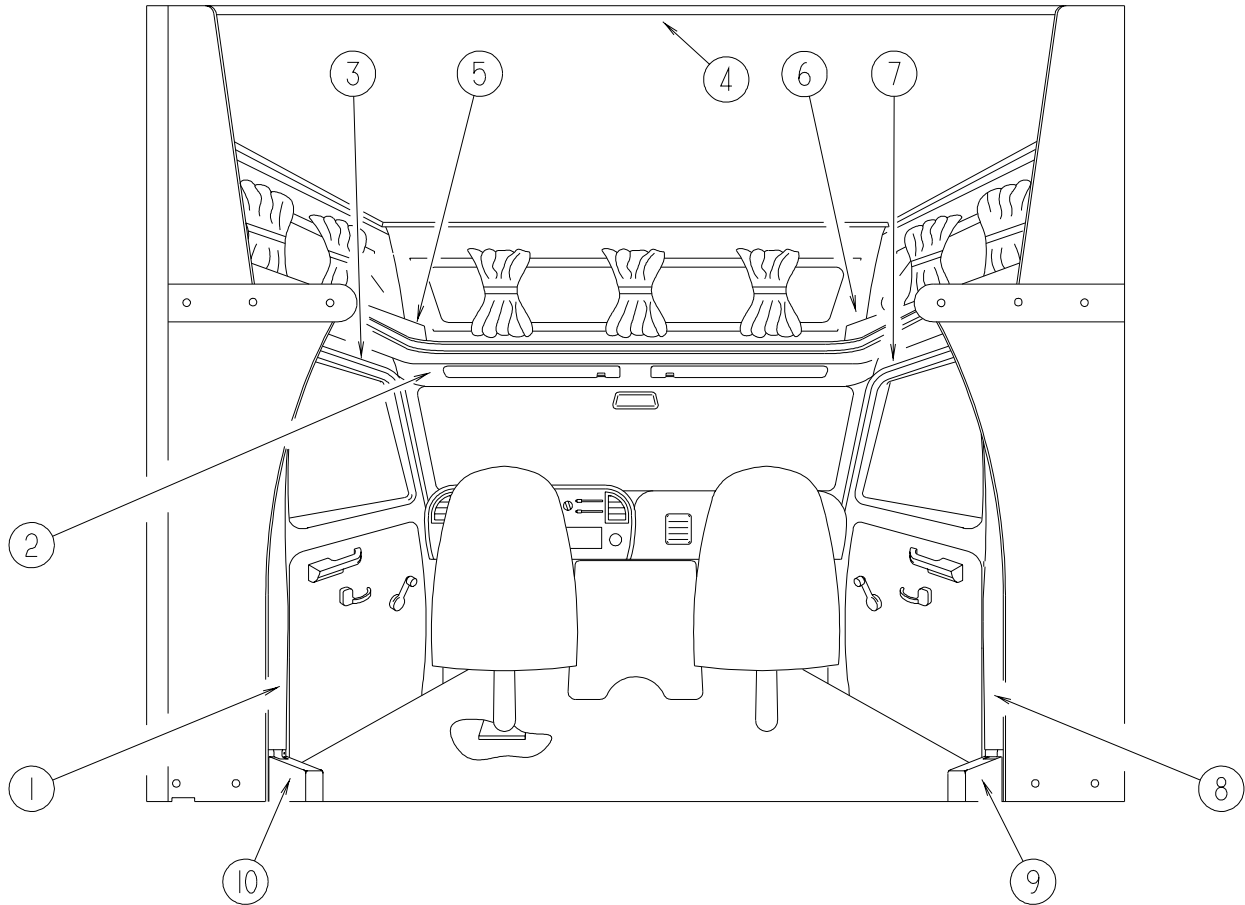
## TABLE



KEY	PART NUMBER	U/M	DESCRIPTION
1	132034-01-N01	EA	TABLE TOP ONLY - 41.6" X 29.7" (N01, N02) - <a href="#">322R, 324V, 329N</a>
1	132034-01-M03	EA	TABLE TOP ONLY - 41.6" X 29.7" (N03) - <a href="#">322R, 324V, 329N</a>
1	132034-02-N01	EA	TABLE TOP ONLY - 41.6" X 25" (N01, N02) - <a href="#">322E, 331C</a>
1	132034-02-M03	EA	TABLE TOP ONLY - 41.6" X 25" (N03) - <a href="#">322E, 331C</a>
1	132034-03-N01	EA	TABLE TOP ONLY - 37.7" X 29.7" (N01, N02) - <a href="#">324F</a>
1	132034-03-N03	EA	TABLE TOP ONLY - 37.7" X 29.7" (N03) - <a href="#">324F</a>
1	132034-20-N01	EA	TABLE TOP ONLY - 37.7" X 24" - GRAY TRANQUILITY (N01, N02) - <a href="#">329B</a>
1	132034-20-N03	EA	TABLE TOP ONLY - 37.7" X 24" -WHITE TALC (N03) - <a href="#">329B</a>
2	053200-13-000	EA	SUPPORT - TABLE - 18.5"
3	088410-02-000	EA	BRACKET - LIFT - TABLE MOUNTED
4	024281-15-000	EA	BRACKET/TABLE - LIFT ROD/LOWER WALL MOUNTED - 17.1"
5	024275-13-000	EA	ROD - TABLE LIFT - OFF/WHITE
6	093550-01-000	EA	BRACKET - HINGE - MOUNTS TO LEG & TABLE TOP - 1.7" X 2.6"
7	092707-04-10A	EA	LEG - TABLE - W/O HARDWARE - 27" - PORTSMOUTH OAK II - <a href="#">322E, 324V, 329B, 329N, 331C</a>
7	092708-06-10A	EA	LEG - TABLE - W/O HARDWARE - 27" - PORTSMOUTH OAK II - <a href="#">322R</a>
8	092593-01-05A	EA	CATCH - TABLE LEG - OFF/WHITE
9	049493-12-000	EA	CATCH - TABLE LEG/FLOOR MOUNTED - OFF WHITE

# DRIVERS COMPARTMENT GROUP

## FRONT INTERIOR



KEY	PART NUMBER	U/M	DESCRIPTION
1	125031-02-H04	EA	TRIM - CAB - B-PILLAR - DRIVER SIDE - FORD
2	106448-03-N01	EA	HEADLINER - W/VINYL - FORD
2	124818-01-H04	EA	HEADLINER - W/VINYL - CHEVY
3	106447-04-H04	EA	TRIM - CAB DOOR - UPPER/LEFT HAND - FORD
3	124819-01-H04	EA	TRIM - CAB DOOR - UPPER/LEFT HAND - CHEVY
4	082111-02-000	EA	COVER - ROOF BREAK - OFF WHITE
5	109894-01-N01	EA	CABINET/HAMPER - DRIVER/FRONT - W/O COUNTERTOP/HARDWARE
5	109894-01-N02	EA	CABINET/HAMPER - DRIVER/FRONT - W/O COUNTERTOP/HARDWARE
5	109894-01-N03	EA	CABINET/HAMPER - DRIVER/FRONT - W/O COUNTERTOP/HARDWARE
6	109894-03-M01	EA	CABINET/HAMPER - PASSENGER/FRONT - W/O COUNTERTOP/HARDWARE (N01)
6	109894-03-N02	EA	CABINET/HAMPER - PASSENGER/FRONT - W/O COUNTERTOP/HARDWARE (N02)
6	109894-03-N06	EA	CABINET/HAMPER - PASSENGER/FRONT - W/O COUNTERTOP/HARDWARE (N03)
7	106447-03-H04	EA	TRIM - CAB DOOR - UPPER/RIGHT HAND - FORD
7	124817-01-H04	EA	TRIM - CAB DOOR - UPPER/RIGHT HAND - CHEVY
8	125031-01-H04	EA	TRIM - CAB - B-PILLAR - PASSENGER SIDE - FORD
9	106431-02-02A	EA	COVER - SEATBELT RECOIL - PASSENGER SIDE - VW GRAY
10	106431-01-02A	EA	COVER - SEATBELT RECOIL - DRIVER SIDE - VW GRAY
	094658-02-M01	EA	HANDLE - BUNK - 2" X 14.2" - OAK - 324F & 331C
*	106025-02-01A	EA	LADDER - BUNK - 52"
	125780-01-000	EA	MAT - FLOOR - FRONT PASSENGER - "W" - FORD
	125780-02-000	EA	MAT - FLOOR - FRONT DRIVER - "W" - FORD
	124182-01-01A	EA	MAT - PASSENGER FRONT - CHEVY
	124182-02-01A	EA	MAT - DRIVER FRONT - CHEVY

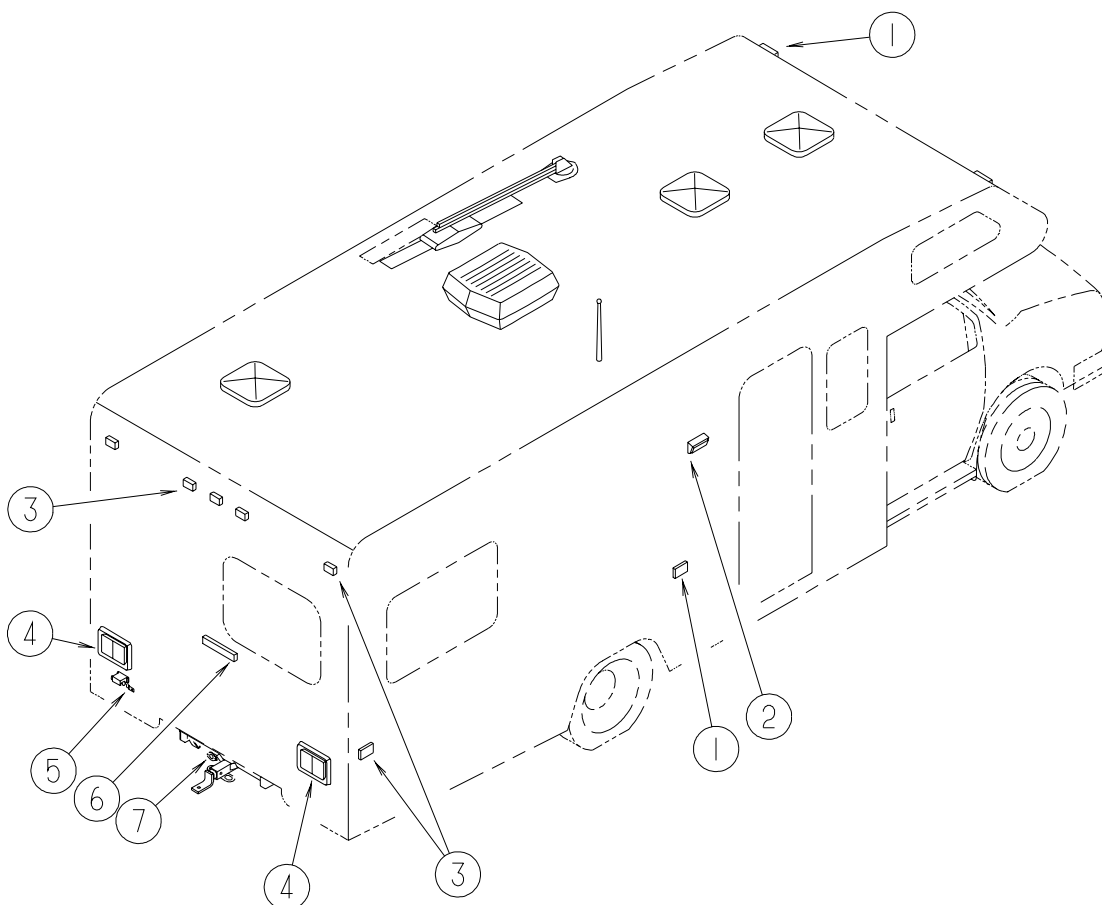
**\*COMPONENT PARTS LISTED LATER IN THIS GROUP**

**DRIVERS COMPARTMENT GROUP (CONTINUED)**  
**COMPONENT PARTS FOR FRONT INTERIOR**

106025-02-01A

<b>KEY</b>	<b>PART NUMBER</b>	<b>U/M</b>	<b>DESCRIPTION</b>	<b>VENDOR NO.</b>
	106025-01-700	EA	BRACKET SET-F/BUNK LADDER	

## ELECTRICAL GROUP 12V BODY WIRING



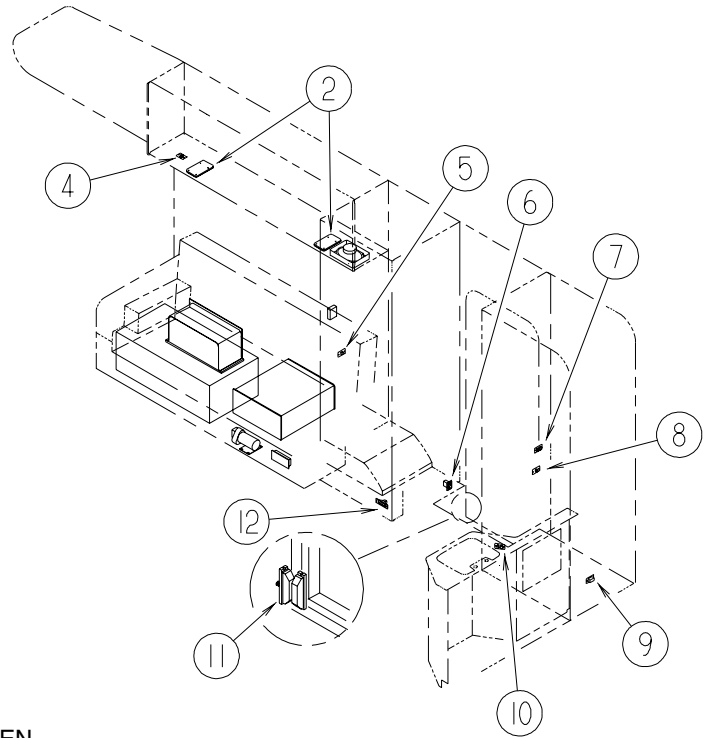
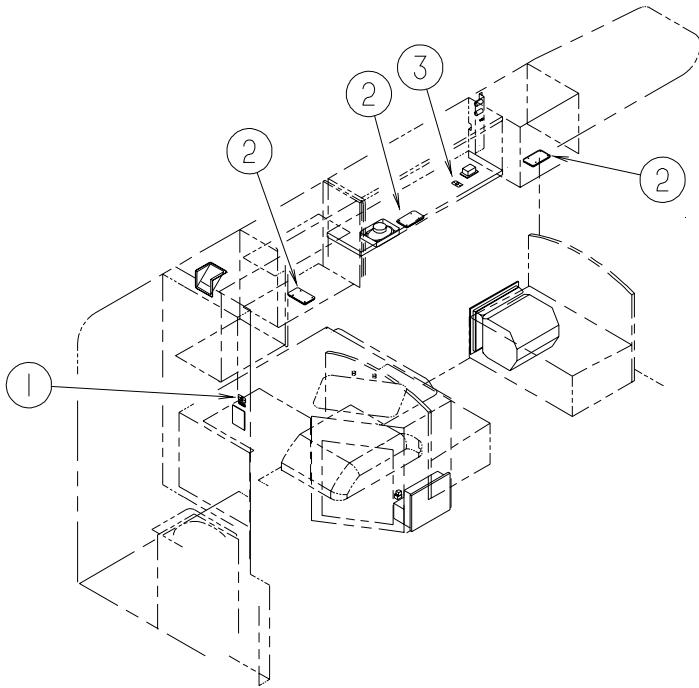
KEY	PART NUMBER	U/M	DESCRIPTION
1	111102-02-000	EA	LENS - AMBER - MARKER LAMP
1	111102-01-000	EA	BASE - MARKER LAMP
	036196-01-000	EA	BULB - 12V - #194 - .27 AMP - BAYONETTE
2*	097917-01-06A	EA	LIGHT - PORCH - BRIGHT WHITE
	008215-01-000	EA	BULB - 12 VOLT - #1003 - .94 AMP
2*	008089-02-000	EA	LIGHT - PORCH - RECESSED - CANADIAN
	008214-01-000	EA	BULB - 12 VOLT - #67 - .59 AMP
3	111102-03-000	EA	LENS - RED - MARKER LAMP
3	111102-01-000	EA	BASE - MARKER LAMP
	036196-01-000	EA	BULB - 12V - #194 - .27 AMP - BAYONETTE
4	103355-02-01A	EA	POD - TAIL LIGHT - BRIGHT WHITE
4*	081638-01-000	EA	TAILLIGHT/DOUBLE W/BLACK TRIM - DRIVER/PASSENGER SIDE
5	066432-02-000	EA	LIGHT - LICENSE - BLACK
5	066432-03-000	EA	BRACKET - LICENSE PLATE
6	136916-01-000	EA	LIGHT - CENTER BRAKE - L.E.D.
7	113589-01-000	EA	CONNECTOR - PLUG - TRAILER
7	113589-02-000	EA	CONNECTOR - SOCKET - TRAILER

\*COMPONENT PARTS LISTED LATER IN THIS GROUP



## ELECTRICAL GROUP (CONTINUED)

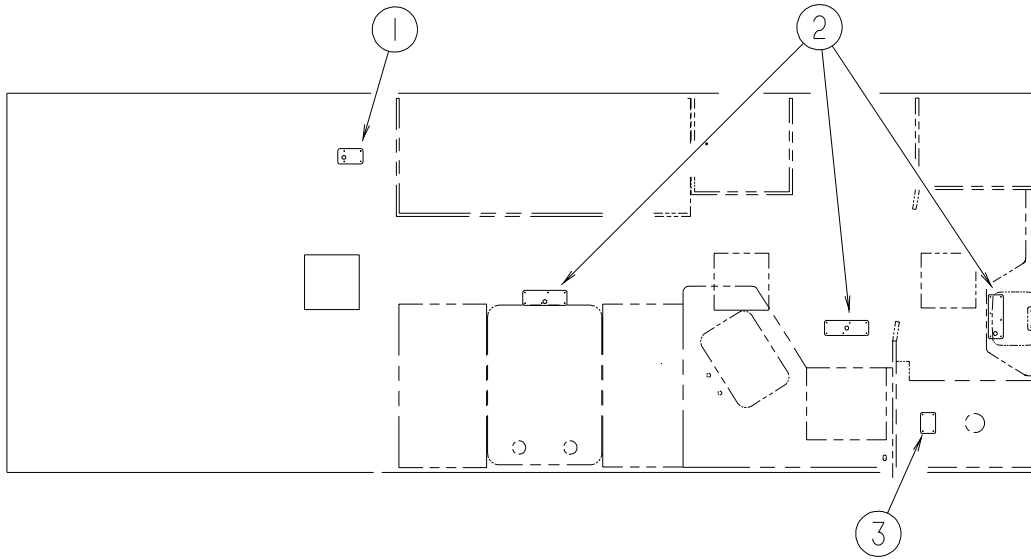
### 12V BODY WIRING (CONTINUED)



KEY	PART NUMBER	U/M	DESCRIPTION
1	079364-08-000	EA	SWITCH - ON/OFF LIGHTED - GREEN
1	098351-01-01A	EA	PLATE/SWITCH - 1 GANG - POLISHED BRASS - W/O LABEL
2*	137417-02-01A	EA	LIGHT - DOME - SINGLE - W/SWITCH/OPTIC LENS - WHITE
3	098351-14-01A	EA	PLATE/SWITCH - 1 GANG - POLISHED BRASS - TV
3	132180-01-01A	EA	SWITCH - PADDLE - SPST - ON/OFF - BLACK
4	098351-01-01A	EA	PLATE/SWITCH - 1 GANG - POLISHED BRASS - W/O LABEL
4	132180-01-01A	EA	SWITCH - PADDLE - SPST - ON/OFF - BLACK
5	135740-01-01A	EA	SWITCH - ROCKER - SPST - ON/OFF - BROWN
5	135741-01-01A	EA	SWITCH - BASE - SINGLE - BROWN
5	135742-01-01A	EA	BEZEL/SWITCH - SINGLE - BROWN
			FROM: 00-00-00 THRU: 06-17-01
5	135742-07-01A	EA	BEZEL - SWITCH - CEILING - WHITE
			FROM: 06-18-01 THRU: 99-99-99
6	098351-07-01A	EA	PLATE/SWITCH - 1 GANG - POLISHED BRASS - GENERATOR
6	108357-06-000	EA	SWITCH - ROCKER - DPDT - MOM/OFF/MOM - 6 TERMINAL
6	108356-11-01A	EA	COVER/ACTUATOR SWITCH - 3 GROOVES - AUX BATT - BLACK
6	108355-01-000	EA	HOUSING - SWITCH
7	135740-01-01A	EA	SWITCH - ROCKER - SPST - ON/OFF - BROWN
7	135741-02-01A	EA	SWITCH - BASE - DOUBLE - BROWN
7	135742-05-01A	EA	SWITCH/BEZEL - PORCH/CEILING
			FROM: 00-00-00 THRU: 06-17-01
7	135742-19-02A	EA	BEZEL - SWITCH - PORCH/CEILING - BROWN
			FROM: 06-18-01 THRU: 99-99-99
8	135740-01-01A	EA	SWITCH - ROCKER - SPST - ON/OFF - BROWN
8	135741-01-01A	EA	SWITCH - BASE - SINGLE - BROWN
8	135742-01-01A	EA	BEZEL/SWITCH - SINGLE - BROWN
			FROM: 00-00-00 THRU: 06-17-01
8	135742-11-02A	EA	BEZEL - SWITCH - STEP - BROWN
			FROM: 06-18-01 THRU: 99-99-99
9	108357-15-000	EA	SWITCH - ROCKER - DPDT - ON/NONE/ON - LIGHTED
9	108356-04-01A	EA	COVER/ACTUATOR SWITCH - 2 ROWS DIMPLES W/LENS-CONTURA-BLK
9	108355-01-000	EA	HOUSING - SWITCH
9	081994-02-000	EA	PLATE - SWITCH - EXTERIOR SHOWER
10	135740-01-01A	EA	SWITCH - ROCKER - SPST - ON/OFF - BROWN
10	135741-02-01A	EA	SWITCH - BASE - DOUBLE - BROWN
10	135742-15-02A	EA	BEZEL - SWITCH - CEILING/SHOWER - BROWN
11	116995-02-000	EA	SWITCH/MAGNET - ELECTRIC STEP - BLACK/WHITE-CLOSED CIRCUIT
12	061424-01-000	EA	LIGHT - AISLE - 12 VOLT - RECTANGULAR

\*COMPONENT PARTS LISTED LATER IN THIS GROUP

**ELECTRICAL GROUP (CONTINUED)**  
**12V BODY WIRING (CONTINUED)**



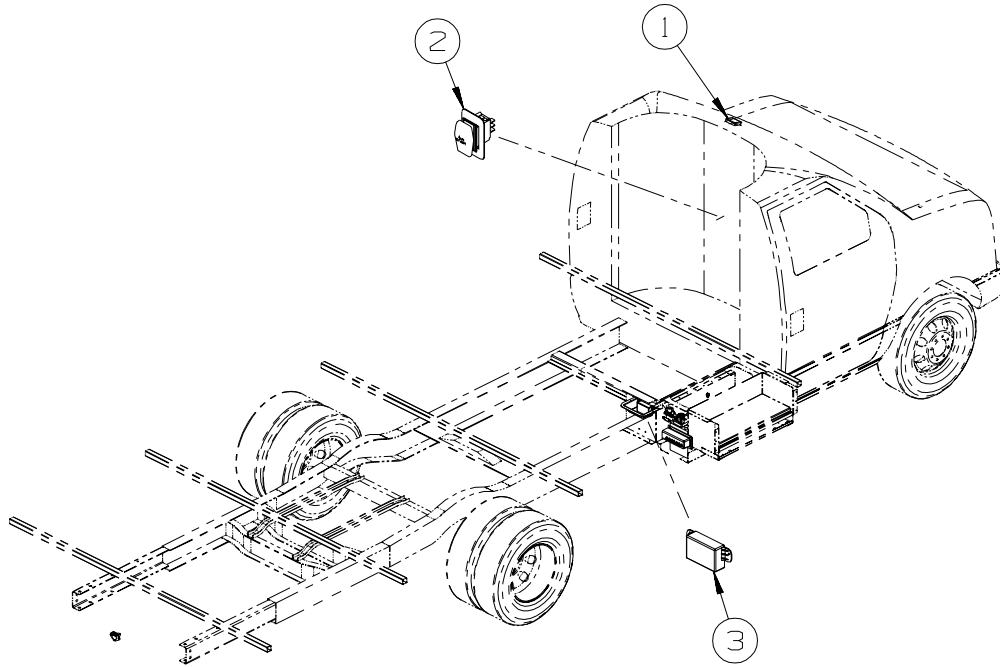
KEY	PART NUMBER	U/M	DESCRIPTION
1*	137417-02-01A	EA	LIGHT - DOME - SINGLE - W/SWITCH/OPTIC LENS - WHITE
2*	137417-06-01A	EA	LIGHT - DOME - DOUBLE - W/FROSTED LENS - W/O SWITCH-WHIT
3*	121935-01-01A	EA	LIGHT - DOME - SHOWER

**\*COMPONENT PARTS LISTED LATER IN THIS GROUP**

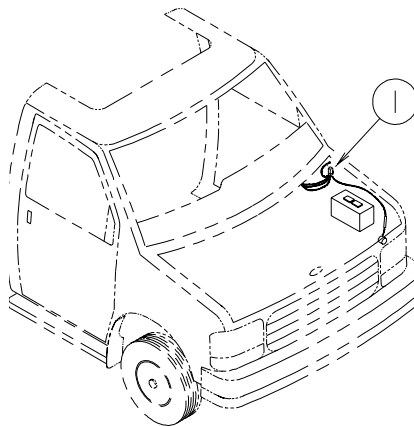
## ELECTRICAL GROUP (CONTINUED)

### FRONT END WIRING

KEY	PART NUMBER	U/M	DESCRIPTION
	094795-09-000	EA	CLUSTER - INSTRUMENT PANEL - KILOMETERS - GAS/DIESEL-FORD
	094797-15-000	EA	CLUSTER - INSTRUMENT PANEL - KILOMETER/MILES



KEY	PART NUMBER	U/M	DESCRIPTION
1	135376-01-01A	EA	LIGHT - DOME - CAB - BLACK
2	108357-09-000	EA	SWITCH - ROCKER - SPDT - ON/NONE/MOM - 3 TERMINAL
2	108356-07-01A	EA	COVER/ACTUATOR SWITCH - 2 ROWS DIMPLES - AUX START - BLACK
2	081994-07-000	EA	PLATE - SWITCH - "AUXILIARY START"
3	138173-03-000	EA	MODULE - (CONTROL BOX) - SLIDEOUT CONTROL - #1802930



KEY	PART NUMBER	U/M	DESCRIPTION
1	100138-01-000	EA	MODULE - DAYTIME/RUNNING LIGHT - HAMSAR DRL #H8005B

**ELECTRICAL GROUP (CONTINUED)**  
**COMPONENT PARTS FOR LIGHTS & SWITCHES**

**008089-02-000**

<b>KEY</b>	<b>PART NUMBER</b>	<b>U/M</b>	<b>DESCRIPTION</b>
	008089-01-700	EA	LENS-LIGHT, RECESSED, PORCH DECO

**081638-01-000**

<b>KEY</b>	<b>PART NUMBER</b>	<b>U/M</b>	<b>DESCRIPTION</b>	<b>VENDOR NO.</b>
	081638 01 700	EA	LENS-TAILLIGHT, RED	30-84-010
	081638 01 701	EA	LENS-TAILLIGHT, W/BACKUP	30-84-700

**097917-01-06A**

<b>KEY</b>	<b>PART NUMBER</b>	<b>U/M</b>	<b>DESCRIPTION</b>	<b>VENDOR NO.</b>
	097917-01-700	EA	LENS-LIGHT, CLEAR	30-78-021

**121935-01-01A**

<b>KEY</b>	<b>PART NUMBER</b>	<b>U/M</b>	<b>DESCRIPTION</b>	<b>VENDOR NO.</b>
	121935-01-700	EA	LENS ONLY	809511

**137417-02-01A**

<b>KEY</b>	<b>PART NUMBER</b>	<b>U/M</b>	<b>DESCRIPTION</b>	<b>VENDOR NO.</b>
	137417-02-700	EA	LENS - SINGLE OPTIC	810844

**137417-06-01A**

<b>KEY</b>	<b>PART NUMBER</b>	<b>U/M</b>	<b>DESCRIPTION</b>	<b>VENDOR NO.</b>
	137417-06-700	EA	LENS - DOUBLE WHITE	810867

**ELECTRICAL GROUP (CONTINUED)**  
**CIRCUIT BREAKERS & FUSES**

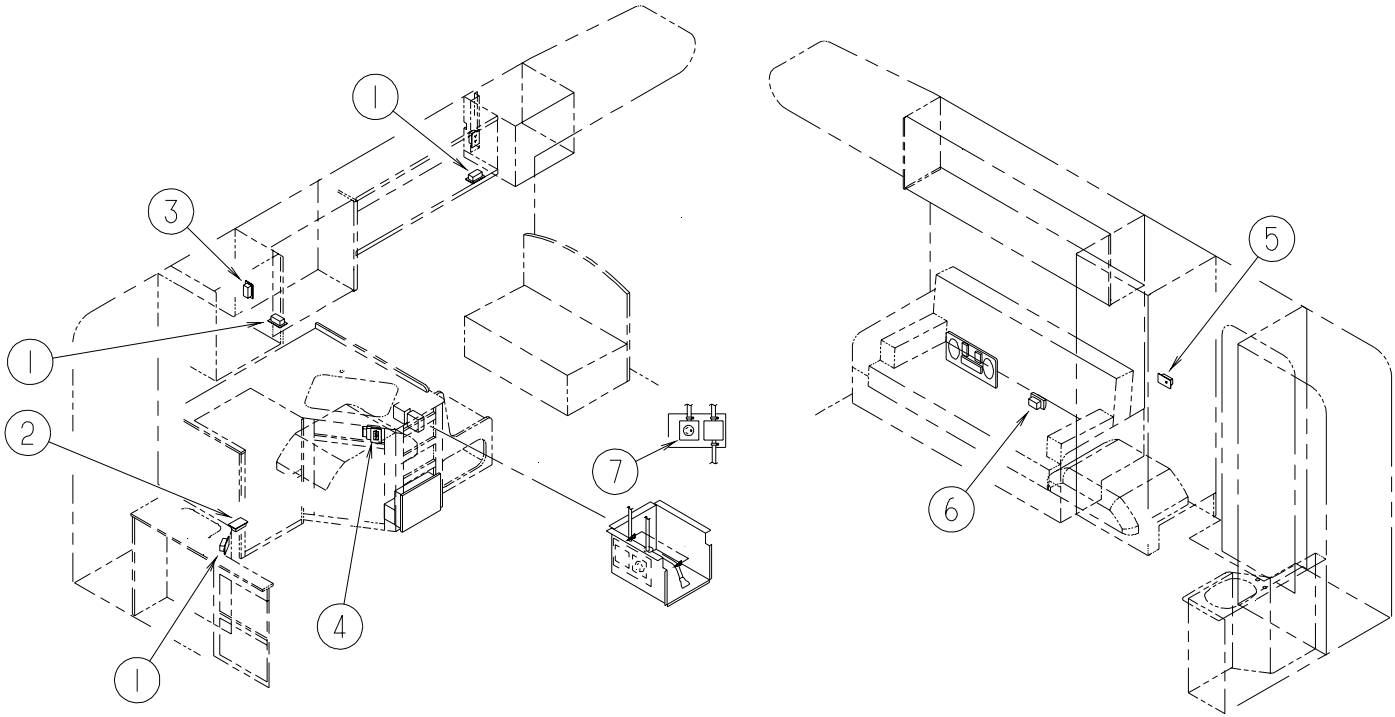
<b>KEY</b>	<b>PART NUMBER</b>	<b>U/M</b>	<b>DESCRIPTION</b>
	008233-01-000	EA	FUSE - 12 VOLT - 6 AMP
	008235-01-000	EA	FUSE - 15 AMP/12VOLT - AUTOMOTIVE
	033573-01-000	EA	CIRCUIT BREAKER W/MOUNT-20A, 12V - FASCO 1711-2026
	062037-02-000	EA	HOUSING - AUTO FUSE - GREEN
	062037-04-000	EA	HOUSING - AUTO FUSE - BLUE
	062037-07-000	EA	HOUSING - AUTO FUSE - RED
	062901-02-000	EA	FUSE - 5 AMP - AUTOMOTIVE
	062901-05-000	EA	FUSE - 15 AMP - AUTOMOTIVE
	062901-06-000	EA	FUSE - 20 AMP - AUTOMOTIVE
	062901-07-000	EA	FUSE - 25 AMP - AUTOMOTIVE
	062901-08-000	EA	FUSE - 30 AMP - AUTOMOTIVE
	083209-01-000	EA	CIRCUIT BREAKER - 15 AMP - 120 VOLT - CANADIAN
	083209-02-000	EA	CIRCUIT BREAKER - 15/15 AMP - 120 VOLT
	083209-03-000	EA	CIRCUIT BREAKER - 15/20 AMP - 120 VOLT
	083209-04-000	EA	CIRCUIT BREAKER - 30 AMP - 120 VOLT
	083209-05-000	EA	CIRCUIT BREAKER - 20 AMP - 120 VOLT
	083209-06-000	EA	CIRCUIT BREAKER - 30/15 AMP - 120 VOLT
	083209-07-000	EA	CIRCUIT BREAKER - 20/20 AMP - 120 VOLT
	083209-10-000	EA	CIRCUIT BREAKER - 20/30 AMP - 120 VOLT
	083209-11-000	EA	CIRCUIT BREAKER - 20/15 AMP - 120 VOLT
	092786-02-000	EA	BUSS BAR - 3.3" LONG
	092786-03-000	EA	BUSS BAR - 6.9" LONG
	092786-06-000	EA	BUSS BAR
	093654-01-000	EA	CIRCUIT BREAKER - 6 AMP - 12 VOLT - PUSH BUTTON - WHITE
	093654-02-000	EA	CIRCUIT BREAKER - 15 AMP - 12 VOLT - PUSH BUTTON - WHITE
	093654-03-000	EA	CIRCUIT BREAKER - 20 AMP - 12 VOLT - PUSH BUTTON - WHITE
	093654-11-000	EA	COVER - RESET BUTTON
	093655-01-000	EA	CIRCUIT BREAKER - 25 AMP - 12 VOLT - PUSH BUTTON - WHITE
	093655-02-000	EA	CIRCUIT BREAKER - 30 AMP - 12 VOLT - PUSH BUTTON - WHITE
	093655-03-000	EA	CIRCUIT BREAKER - 40 AMP - 12 VOLT - PUSH BUTTON - WHITE
	093674-01-000	EA	PLATE - CIRCUIT BREAKER - HOUSE - 8.4" X 4.1" - STEEL
	097611-01-000	EA	CIRCUIT BREAKER - 10 AMP
	100341-01-000	EA	FUSE HOLDER - IN LINE TYPE
	106656-01-000	EA	FUSE BLOCK - 4 CAVITY - AUTOFUSE
	108567-01-000	EA	CIRCUIT BREAKER - 40 AMP - 12 VOLT - TYPE II
	108669-01-000	EA	HOUSING - AUTO FUSE HOLDER
	111683-01-000	EA	FUSE - HOLDER - GLASS - 1/4" X 1 1/4"
	113482-01-000	EA	CIRCUIT BREAKER - 55 AMP - MANUAL
	115187-01-000	EA	FUSE - 300 AMP - NON-DELAY
	115187-02-000	EA	FUSE HOLDER - BUSS ANN/ANL BLOCK
	118531-04-02B	EA	PLATE - CIRCUIT BREAKER - E-COATED
	118531-05-02B	EA	PLATE - CIRCUIT BREAKER - E-COAT
	122811-01-000	EA	CIRCUIT BREAKER - 20/50/50/20
	125986-04-000	EA	FUSE - 10 AMP - AUTO - MINI BLADE
	125986-05-000	EA	FUSE - 15 AMP - AUTO - MINI BLADE
	134127-01-000	EA	CIRCUIT BREAKER - 10 AMP - MINI

**CONVERTER, INVERTER, LOAD CENTERS**

<b>KEY</b>	<b>PART NUMBER</b>	<b>U/M</b>	<b>DESCRIPTION</b>
	083208-02-000	EA	CONTROL CENTER - 45 AMP/120V/12V - W/O BREAKERS/LINEAR
	083208-06-000	EA	CONTROL CENTER - 45 AMP/120V/12V - W/O BREAKERS/ELECTRONIC
	099048-03-000	EA	INVERTER - 130 WATT
	113132-01-000	EA	LOAD CENTER - 120/240 VOLT - 60 AMP

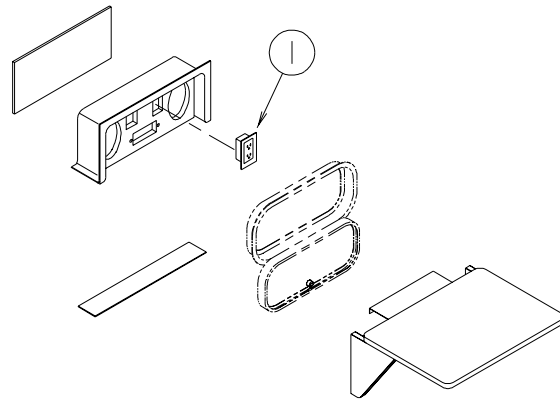
## ELECTRICAL GROUP (CONTINUED)

### 110V WIRING

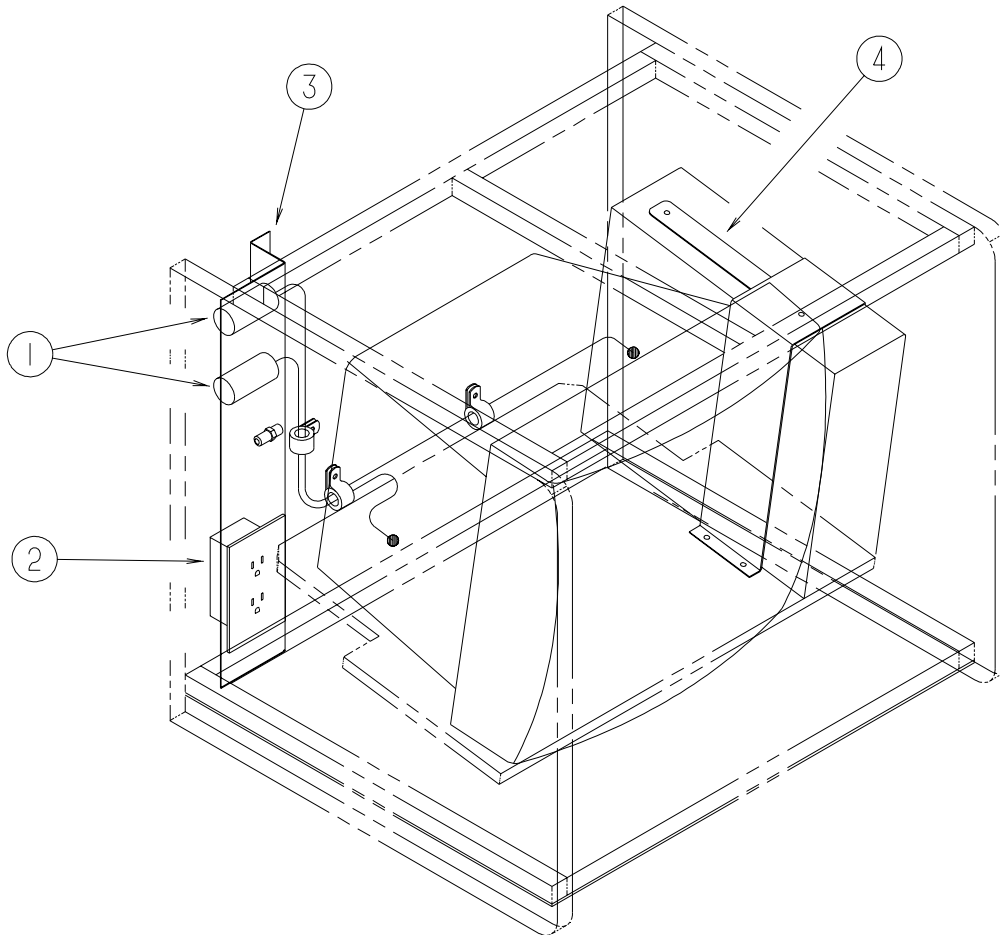


KEY	PART NUMBER	U/M	DESCRIPTION
1	058708-01-000	EA	RECEPTACLE - ELECTRIC - DOUBLE - BROWN
2	058707-02-000	EA	RECEPTACLE - BLANK - JUNCTION BOX
3	058708-05-000	EA	RECEPTACLE - ELECTRIC - SINGLE - BROWN
4	084076-02-000	EA	RECEPTACLE - GFI - 15 AMP/125 VOLT - BROWN - W/COVER
5	058707-01-000	EA	RECEPTACLE - ELECTRIC - SINGLE - BROWN
6	131826-01-01A	EA	RECEPTACLE - EXTERIOR - W/COVER/GASKET - WHITE
7	024924-02-000	EA	RECEPTACLE - POWER CORD - W/PARTIAL PLATE

**ELECTRICAL GROUP (CONTINUED)**  
**ENTERTAINMENT WIRING**



KEY	PART NUMBER	U/M DESCRIPTION
1	058708-01-000	EA RECEPTACLE - ELECTRIC - DOUBLE - BROWN



KEY	PART NUMBER	U/M DESCRIPTION
1	111414-01-000	EA RECEPTACLE/SOCKET - 12 VOLT
2	058708-01-000	EA RECEPTACLE - ELECTRIC - DOUBLE - BROWN
2	058708-02-000	EA RECEPTACLE - ELECTRIC - DOUBLE - IVORY
3	122469-01-02B	EA BRACKET - ZEE
4	122790-02-02B	EA BRACKET - VCP - E-COATED

## ELECTRICAL GROUP (CONTINUED)

### BOXES & CORDS

KEY	PART NUMBER	U/M	DESCRIPTION
	008054-01-000	EA	CORD - POWER - 10/3 WIRE - 30 AMP - 25'
	008289-01-000	EA	BOX - ELECTRIC/STEEL - 1/2" & 3/4" KNOCKOUTS - 4" X 4"
	008289-02-000	EA	BOX - ELECTRIC/STEEL - 1/2" & 3/4" KNOCKOUTS - 4" X 4" - CANADIAN - 331C
	008294-01-000	EA	COVER - ELECTRIC BOX - BLANK/STEEL - 4" X 4" - GRAY
	008294-02-000	EA	COVER - ELECTRICAL BOX - BLANK/STEEL - 4" X 4" - CANADIAN
	069238-01-000	EA	COVER - ELECTRICAL BOX - W/HOLE - 4" X 4" - GRAY
	084077-03-000	EA	COVER/BLANK - WIRE ACCESS - 5.2" X 3.5" - IVORY
	084993-01-000	EA	STRAP - BATTERY - 43.2" LONG
	084993-02-000	EA	STRAP - BATTERY - 55" LONG
	091910-01-000	EA	BOX - ELECTRIC - 3.8" X 3.5" X 1.8" - PLASTIC
	091910-02-000	EA	BOX - ELECTRIC - 2.2" X 3.5" X 1.8" - PLASTIC
	107165-01-01A	EA	BOX - CIRCUIT BREAKER - 14.6" X 4" - PLASTIC - 322E, 322R, 329N
	107165-04-01A	EA	BOX - CIRCUIT BREAKER MOUNT - 324F
	107165-05-01A	EA	BOX - CIRCUIT BREAKER MOUNT - 329B
	131679-01-000	EA	BOX-ELEC-WATERPROOF SEALED 4" X 4" W/4 3/4"OUTLETS-UL/CSA - 324F, 329B
	131680-01-000	EA	COVER - W/GASKET FOR WATERPROOF 4" X 4" BOX - UL/CSA - 324F, 329B

### WIRE ASSEMBLIES

KEY	PART NUMBER	U/M	DESCRIPTION
	090986-02-000	EA	WIRE ASSEMBLY - ELECTRIC STEP
	096449-01-000	EA	WIRE ASSEMBLY - WATER TANK TO MONITOR PANEL
	096450-01-000	EA	WIRE F/SENSORS - BLACK WATER - 39.3" - 324V, 329B, 329N
	096450-02-000	EA	WIRE F/SENSORS - BLACK WATER - 59" - 322E
	096450-03-000	EA	WIRE F/SENSORS - BLACK WATER - 78.6" - 322R
	096450-05-000	EA	WIRE F/SENSORS - BLACK WATER - 23.6" - 324F, 331C
	096451-01-000	EA	WIRE F/SENSORS - GREY WATER - 86" - 324V
	096451-03-000	EA	WIRE F/SENSORS - GREY WATER - 78.6" - 322E
	096451-05-000	EA	WIRE F/SENSORS - GREY WATER - 43.2" - 324F, 329B, 329N
	096451-06-000	EA	WIRE F/SENSORS - GREY WATER - 23.6" - 322R
	106851-01-000	EA	WIRE ASSEMBLY - RUNNING LIGHTS - FUSE
	116894-01-000	EA	WIRE ASSEMBLY - SPEED SENSOR EXTENDED
	120233-05-000	EA	WIRE ASSEMBLY - 30" CONNECTS TO WALLPLATE DISPLAY
	122743-01-000	EA	WIRE LOOM - DINETTE/TV - 322R, 329N
	125853-01-000	EA	WIRE LOOM - ENTERTAINMENT CENTER
	125853-04-000	EA	WIRE LOOM - ENTERTAINMENT CENTER
	126501-01-000	EA	WIRE ASSEMBLY - REMOTE MIRRORS - FORD
	131006-05-000	EA	WIRE - ELECTRIC STEP
	134550-01-000	EA	WIRE ASSEMBLY - HEATER/RELAY
	134551-01-000	EA	WIRE ASSEMBLY - HEATER/TANKS - 322E, 324F
	134551-02-000	EA	WIRE ASSEMBLY - HEATER/TANKS - 322R
	134551-03-000	EA	WIRE ASSEMBLY - HEATER/TANKS - 324V
	134551-05-000	EA	WIRE ASSEMBLY - HEATER/TANKS - 329B, 329N
	134551-06-000	EA	WIRE ASSEMBLY - HEATER/TANKS - 331C
	135420-03-000	EA	WIRE ASSEMBLY - RADIO - FORD C-BODY
	136485-01-000	EA	WIRE ASM-CHASSIS,FORD



**ELECTRICAL GROUP (CONTINUED)**  
**CONNECTORS & CONDUIT**

KEY	PART NUMBER	U/M	DESCRIPTION
	007942-01-000	EA	TAB - WIRE 10 TO 14 AWG
	007954-01-000	EA	RECEPTACLE - HOUSING - 6 POSITION
	007956-05-000	EA	INSULATOR - SHRINK - 1/4" ID X 1 1/2"
	008311-01-000	EA	CONNECTOR - WIRE NUT - INSULATED - RED
	008312-01-000	EA	CONNECTOR - WIRE NUT - INSULATED - BLUE
	008313-01-000	EA	CONNECTOR - WIRE NUT - INSULATED - YELLOW
	008314-01-000	EA	CONNECTOR - WIRE NUT - INSULATED - GRAY
	008326-01-000	EA	TERMINAL - RING - 16/14 WIRE - 3/8" STUD
	008328-01-000	EA	TERMINAL - RING - 12/10 WIRE - #10 STUD FIT
	008331-01-000	EA	TERMINAL - RING - TONGUE - #4 WIRE - 3/8" STUD - COPPER
	008348-01-000	EA	TERMINAL - RING - 3/8" STUD 2 GA. WIRE
	008355-01-000	EA	CONNECTOR - CABLE CLAMPING - 3/4"
	008356-01-000	EA	CONNECTOR - PLASTIC - 3/8" AVG
	008356-02-000	EA	CONNECTOR - PLASTIC - 21/32
	008394-01-000	FT	CONDUIT - FLEXIBLE - 1/2"
	008398-01-000	EA	CONNECTOR - 1/2" X 90 DEGREE - FLEX CONDUIT - UL & CSA
	035416-04-000	EA	TERMINAL - RING - #10 STUD FIT - INSULATED BARREL #16/14
	041953-01-000	FT	CONDUIT - CONVOLUTE SLIT - .5" ID - POLYETHYLENE
	041953-03-000	FT	CONDUIT - CONVOLUTE SLIT - 1" ID (CLOTHES ROD COVER)
	041953-05-000	FT	CONDUIT - CONVOLUTE SOLID - .62" ID - POLYETHYLENE
	041953-06-000	FT	CONDUIT - CONVOLUTE SLIT - .4" ID - POLYETHYLENE
	041953-07-000	FT	CONDUIT - CONVOLUTE SLIT - .25" ID - POLYETHYLENE
	041953-08-000	FT	CONDUIT - CONVOLUTE SLIT - 1.5" ID - POLYETHYLENE
	041953-09-000	FT	CONDUIT - CONVOLUTE SLIT - .5" ID - NYLON
	041953-10-000	FT	CONDUIT - CONVOLUTE SLIT - .75" ID - NYLON
	041953-11-000	FT	CONDUIT - CONVOLUTE SLIT - 1.06" ID - NYLON
	041953-12-000	FT	CONDUIT - CONVOLUTE SOLID - 1.1" ID - NYLON
	041953-13-000	FT	CONDUIT - CONVOLUTE SLIT - 1.25
	047443-01-000	EA	TERMINAL - .250 RECEPTACLE FIT - INSULATED - 16/14 AWG
	047443-02-000	EA	TERMINAL - .250 RECEPTACLE FIT - INSULATED - 12/10 AWG
	058028-01-000	EA	CONNECTOR - ELECTRICAL PIGTAIL - NYLON - CLEAR
	062036-01-000	EA	TERMINAL - PACK - CON - 12/10 AWG
	074017-02-000	EA	HOUSING - 5 POSITION - RIGHT ANGLED
	077479-01-000	EA	BOOT - BATTERY TERMINAL - DOUBLE CABLE
	077479-02-000	EA	BOOT - BATTERY TERMINAL - SINGLE CABLE
	080015-02-000	EA	RECEPTACLE - FLAG - .185 - 16/14 GAUGE
	080015-03-000	EA	RECEPTACLE - FLAG - .250 - 14/16 GAUGE
	082109-01-000	EA	HOUSING - CONNECTOR - PACKARD
	082741-01-000	EA	CONNECTOR BODY - 2 CONNECTOR MALE
	085724-01-000	EA	SOCKET - DOUBLE CONTACT - TAILLIGHT
	087225-01-000	FT	SLEEVING - 1/2" - TYPE H
	087949-01-000	EA	BUSS BAR - 2 POSITION - .6" X 1.5"
	087949-02-000	EA	BUSS BAR - 3 POSITION - .6" X 2.4"
	087949-03-000	EA	BUSS BAR - 4 POSITION
	087949-05-000	EA	BUSS BAR - 7 POSITION
	088473-01-000	EA	HOUSING - PIN - 12 CAVITY (3 ROWS OF 4)
	088473-02-000	EA	HOUSING - PIN - 15 CAVITY (3 ROWS OF 5)
	088473-03-000	EA	HOUSING - PIN - 9 CAVITY (3 ROWS OF 3)
	088473-04-000	EA	HOUSING - PIN - 8 CAVITY IN-LINE
	088473-06-000	EA	HOUSING - PIN - 6 CAVITY (2 ROWS OF 3)
	088473-07-000	EA	HOUSING - PIN - 5 CAVITY - IN-LINE
	088473-08-000	EA	HOUSING - PIN - 4 CAVITY - IN-LINE
	088473-09-000	EA	HOUSING - PIN - 3 CAVITY - IN-LINE
	088473-10-000	EA	HOUSING - PIN - 2 CAVITY - IN LINE
	088474-01-000	EA	HOUSING - SOCKET - 12 CAVITY
	088474-02-000	EA	HOUSING - SOCKET - 15 CAVITY
	088474-03-000	EA	HOUSING - SOCKET - 9 CAVITY
	088474-04-000	EA	HOUSING - SOCKET - 8 CAVITY
	088474-06-000	EA	HOUSING - SOCKET - 6 CAVITY
	088474-07-000	EA	HOUSING - SOCKET - 5 CAVITY
	088474-08-000	EA	HOUSING - SOCKET - 4 CAVITY
	088474-09-000	EA	HOUSING - SOCKET - 3 CAVITY
	088474-10-000	EA	HOUSING - SOCKET - 2 CAVITY
	088475-01-000	EA	PIN - CONNECTOR - 14-20 AWG

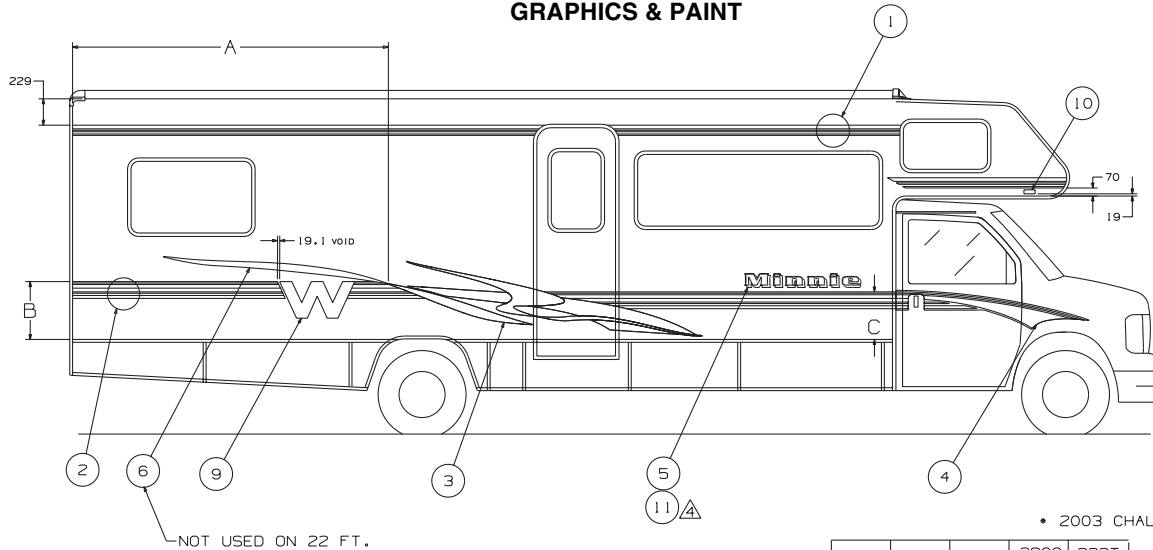
## ELECTRICAL GROUP (CONTINUED)

### BOOTS, SOLENOIDS, RELAYS & MISCELLANEOUS

KEY	PART NUMBER	U/M	DESCRIPTION
	008188-01-000	EA	SOLENOID - 3 POST - BATTERY CHANGE OVER
	063910-01-000	EA	HOUSING - RELAY
	063912-02-000	EA	RELAY - CANISTER - SPDT
	065450-05-000	EA	TIEDOWN - BATTERY - 8.4" TUBE
	086233-01-000	EA	RELAY - BATTERY DISCONNECT
	086273-01-000	EA	STUD - ISOLATED - 3/8" X 7/8" LONG

# EXTERIOR BODY GROUP

## GRAPHICS & PAINT

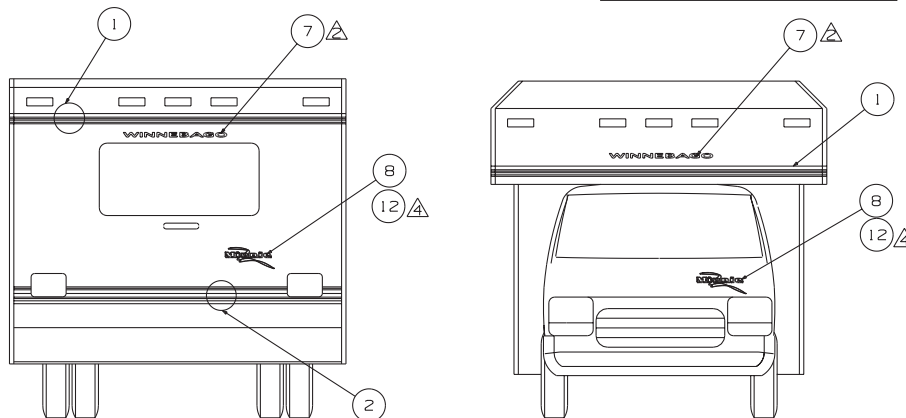


• 2003 CHALET RENTAL PROG.

			2896	333T
			2896	331C
				329N
				329B
				324V
			1740	324F
			1511	322R
	413	502	1511	322E
D	C	B	A	UNIT

- ▲ DECAL WILL BE USED ON CHALET RENTAL UNIT.
- ▲ CONTINUE MULTISTRIPE ONTO WINGWALLS OF SLIDEOUT AND CAB.
- ▲ CENTERED ON UNIT
- 1. APPLY PROTECTOR 116424-01-000 TO WATER HEATER DOOR LATCH.

NOTES:



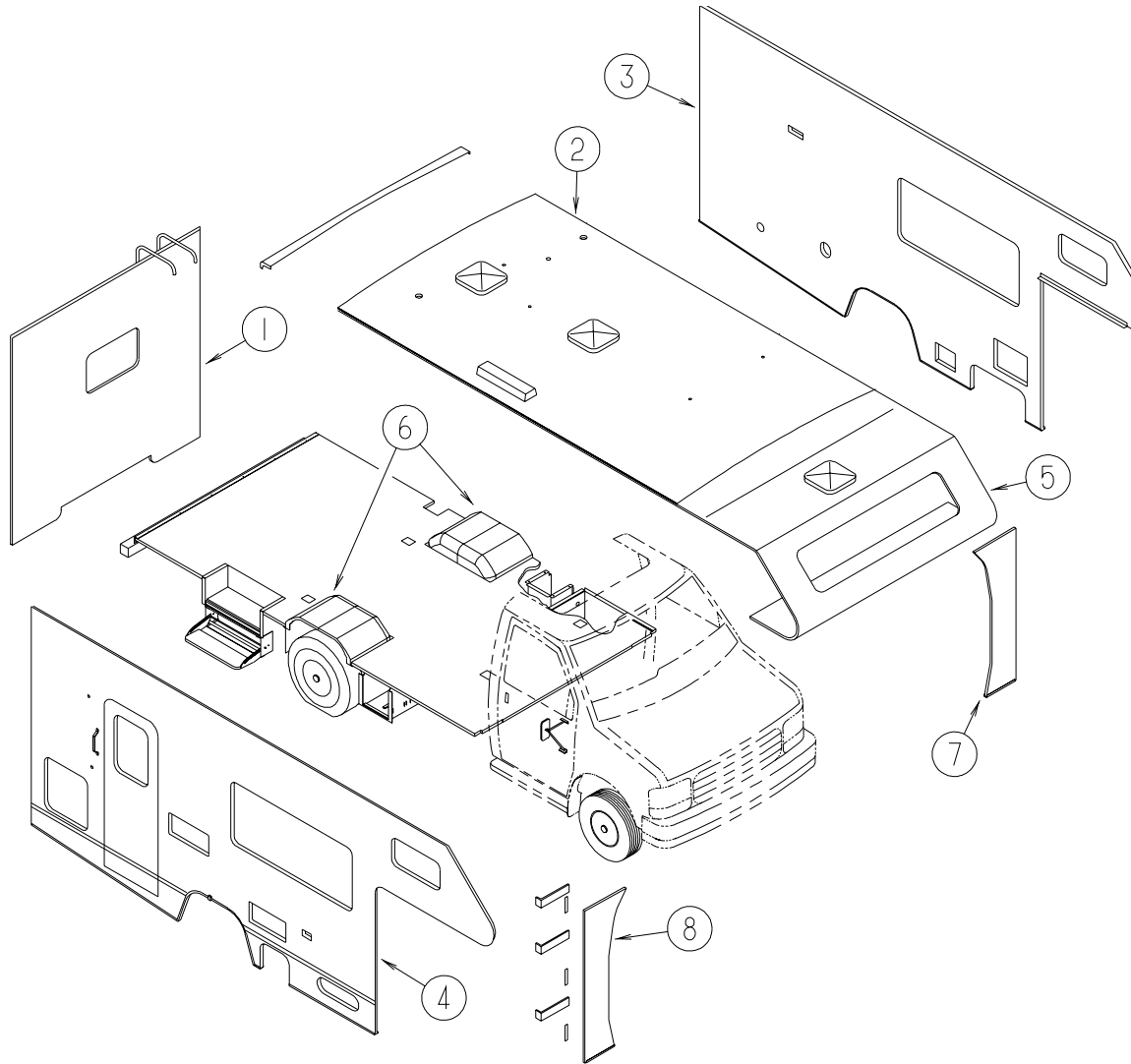
KEY	PART NO.	U/M	DESCRIPTION
1	94443-71-CHT(01A)	FT	MULTISTRIPE-88.9MM - LAGO BLUE/ SILVER BLUE/AURORA GREEN PURPLE
2	137498-01-CHT(01A)	FT	MULTISTRIPE OVERLAY-146.1MM - LAGO BLUE/AURORA GREEN PURPLE/SILVER BLUE
3	137499-01-CHT(01A)	EA	DECAL-MAIN GRAPHIC, RH - LAGO BLUE/SILVER BLUE/WARM SILVER/LT AQUA
3	137499-02-CHT(01A)	EA	DECAL-MAIN GRAPHIC, LH - LAGO BLUE/SILVER BLUE/WARM SILVER/LT AQUA
4	137503-01-CHT(01A)	EA	DECAL-SWEEP & STRIPE, CAB DOOR, RH - LAGO BLUE/AURORA GREEN PURPLE/WARM SILVER
4	137503-02-CHT(01A)	EA	DECAL-SWEEP & STRIPE, CAB DOOR, LH - LAGO BLUE/AURORA GREEN PURPLE/WARM SILVER
5	116849-02-CHT(01A)	EA	DECAL-MINNIE -SILVER BLUE/LT AQUA/LAGO BLUE
6	137505-01-CHT(01A)	EA	DECAL-TAIL #1 RH - LT AQUA/SILVER BLUE
6	137505-02-CHT(01A)	EA	DECAL-TAIL #1 LH - LT AQUA/SILVER BLUE
7	120702-03-CHT(27A)	EA	DECAL-WINNEBAGO - LAGO BLUE
8	137506-01-CHT(01A)	EA	DECAL-MINNIE W/SQUIGGLE - LAGO BLUE/SILVER BLUE/LT AQUA/WARM SILVER
9	120700-05-CHT(05A)	EA	DECAL-W - LAGO BLUE
10	132664-01-CHT(01A)	EA	DECAL-DOMED,WINNEBAGO - CHROME/BLACK
•11	129744-01-CHT(04A)	EA	DECAL-CHALET,LARGE - SILVER BLUE/LAGO BLUE
•12	129744-02-CHT(04A)	EA	DECAL-CHALET,SMALL - SILVER BLUE/LAGO BLUE

KEY	PART NUMBER	U/M	DESCRIPTION
	041561-03-000	EA	PAINT - 16 OUNCE SPRAY - OFF WHITE
	116424-01-000	EA	PROTECTOR - LATCH - WATER HEATER

### DUPONT COLOR CODES

SILVER BLUE METALLIC	DUPONT F8288
LIGHT AQUA MIST METALLIC	DUPONT GM020
AURORA PRINT PURPLE/GREEN	DUPONT GM188
WARM SILVER METALLIC	DUPONT B9358
LAGO BLUE METALLIC	DUPONT W9212
BRIGHT WHITE DUPONT	B8951U

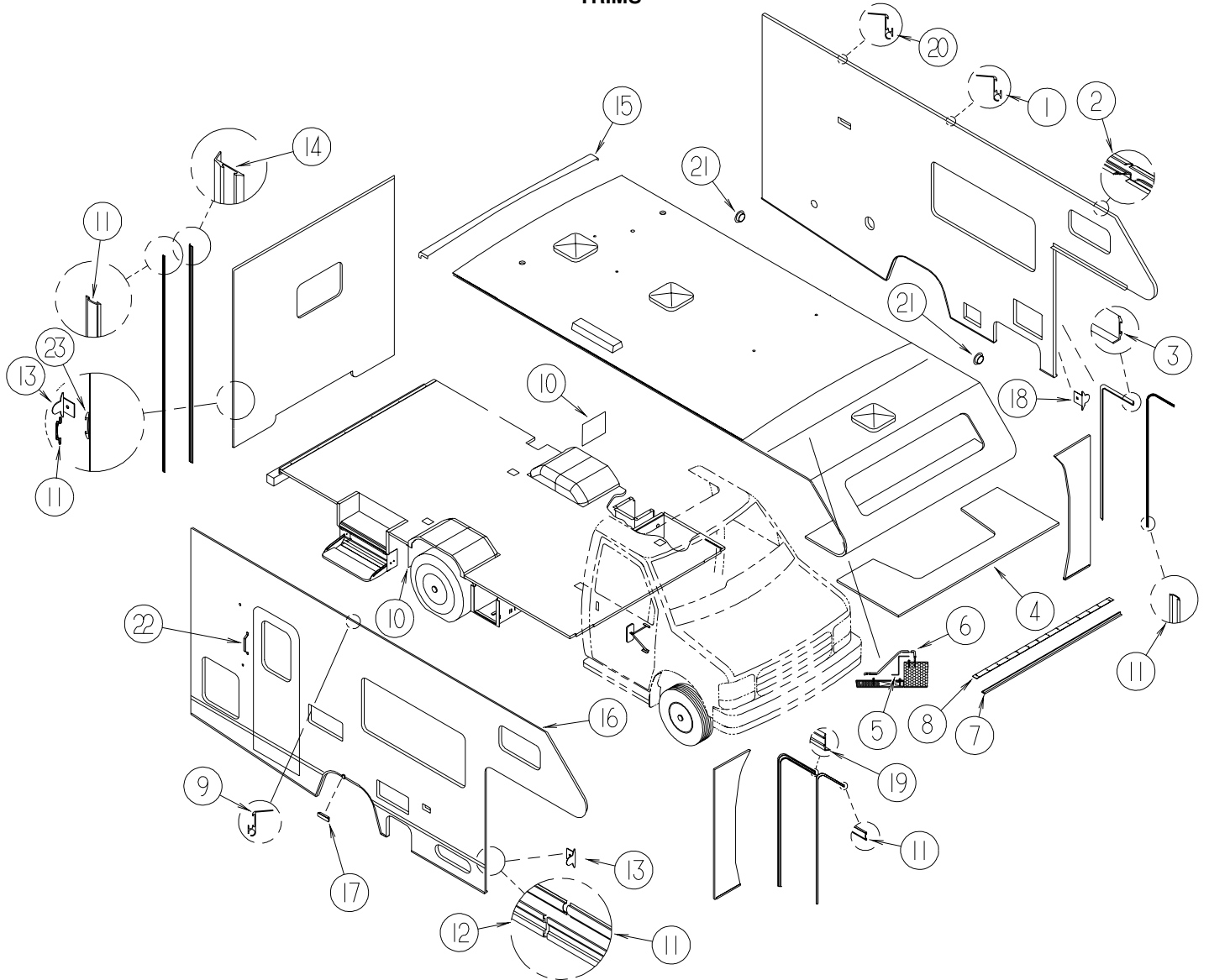
## EXTERIOR BODY GROUP PANELS



KEY	PART NUMBER	U/M	DESCRIPTION
1	P32077-01-M01	EA	BACKWALL - W/O WINDOW/TRIM(N01)
1	P32077-01-N02	EA	BACKWALL - W/O WINDOW/TRIM(N02)
1	P32077-01-N03	EA	BACKWALL - W/O WINDOW/TRIM(N03)
2	132078-01-N01	EA	ROOF - REAR - W/O LIGHTS/VENTS - W/WIRING
3	P32072-01-M01	EA	SIDEWALL - DRIVER - W/O WINDOWS/TRIMS(N01)
3	P32072-01-N02	EA	SIDEWALL - DRIVER - W/O WINDOWS/TRIMS(N02)
3	P32072-01-N06	EA	SIDEWALL - DRIVER - W/O WINDOWS/TRIMS(N03)
4	P35300-01-M01	EA	SIDEWALL - PASSENGER - W/O WINDOWS/TRIMS(N01)
4	P35300-01-N02	EA	SIDEWALL - PASSENGER - W/O WINDOWS/TRIMS(N02)
4	P35300-01-N03	EA	SIDEWALL - PASSENGER - W/O WINDOWS/TRIMS(N03)
5	P32079-01-M01	EA	ROOF - FRONT - W/O LIGHTS/VENTS - W/WIRING
6	125621-01-000	EA	WHEELWELL
7	125088-06-J01	EA	WINGWALL
8	125088-05-J01	EA	WINGWALL

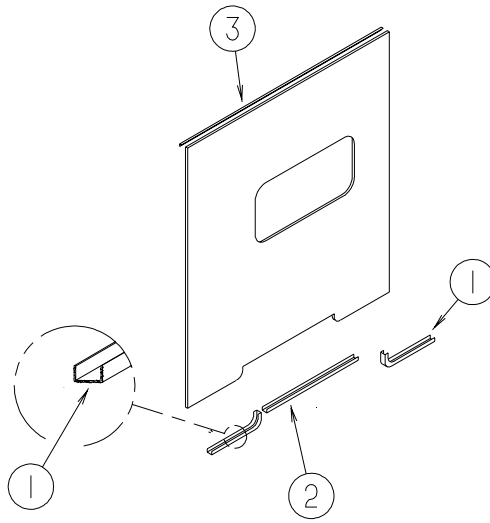
# EXTERIOR BODY GROUP (CONTINUED)

## TRIMS

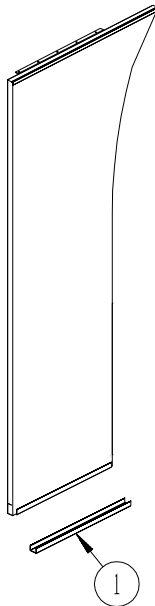


KEY	PART NUMBER	U/M DESCRIPTION
1	131979-06-01A	EA RAIL - AWNING - 144" - BRIGHT WHITE
2	136826-02-01A	EA TRIM - CONTOUR - 119" - BRIGHT WHITE
3	104479-06-02A	EA TRIM - CONTOUR/FRONT - BRIGHT WHITE - LEFT HAND
4	P25129-01-J01	EA SLEEPERBOARD
5	132076-01-02B	EA BRACKET - TRANSITION/FRONT - E-COATED
6	132075-02-L01	EA CAP - TRANSITION/FRONT
7	100086-04-01A	EA TRIM - SLEEPERBOARD/ROOF/LOWER - BRIGHT WHITE - 96.5"
8	100085-05-01A	EA TRIM/STRAP - SLEEPERBOARD - OFF/WHITE - 92.9"
9	131979-05-01A	EA RAIL - AWNING - 144" - BRIGHT WHITE
10	017516-01-000	EA MUD FLAP - 14" X 18" - W/O MOUNTING HOLES - BLACK
	140922-01-02B	EA PLATE - MUD FLAP - E-COATED
11	105312-01-07A	FT INSERT - FEATURE STRIP - VINYL - BRIGHT WHITE
12	108688-01-03A	EA STRIP - FEATURE - BRIGHT WHITE - 182"
13	108651-01-01A	EA END CAP - FEATURE STRIP
14	096854-09-01A	EA TRIM - CONTOUR - 93.1" - BRIGHT WHITE
15	134167-01-01A	EA CAP - ROOF - REAR - 1 PIECE - BRIGHT WHITE
16	136826-01-01A	EA TRIM - CONTOUR - 119" - BRIGHT WHITE
17	102768-01-000	EA HOLDER - COMPARTMENT/ENTRY DOOR - METAL - MILL FINISH
18	108651-02-01A	EA END CAP - FEATURE STRIP
19	104479-05-02A	EA TRIM - CONTOUR/FRONT - BRIGHT WHITE - RIGHT HAND
20	131979-04-01A	EA RAIL - AWNING - 144" - BRIGHT WHITE
21	137050-01-01A	EA PLUG - CAP - PUSH-IN
22	009126-03-000	EA HANDLE - ASSIST - BLACK TEXTURED
23	108688-06-03A	EA STRIP - FEATURE - BRIGHT WHITE - 96.9"

**EXTERIOR BODY GROUP (CONTINUED)**  
**TRIMS (CONTINUED)**

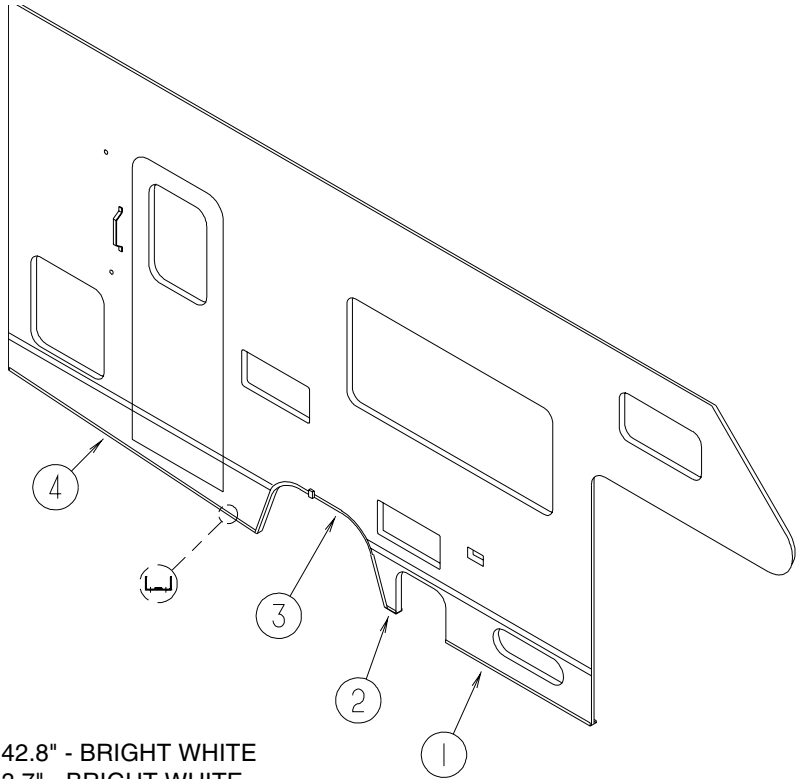


KEY	PART NUMBER	U/M	DESCRIPTION
1	103334-03-02A	EA	TRIM - BACKWALL - LOWER/DRIVER/PASSENGER - 25.6" - B/WHT
2	103335-02-02A	EA	TRIM - BACKWALL - LOWER/CENTER - 46.3" - BRIGHT WHITE
3	132023-01-03B	EA	ANGLE-FORMED, BACKWALL, O/WHT

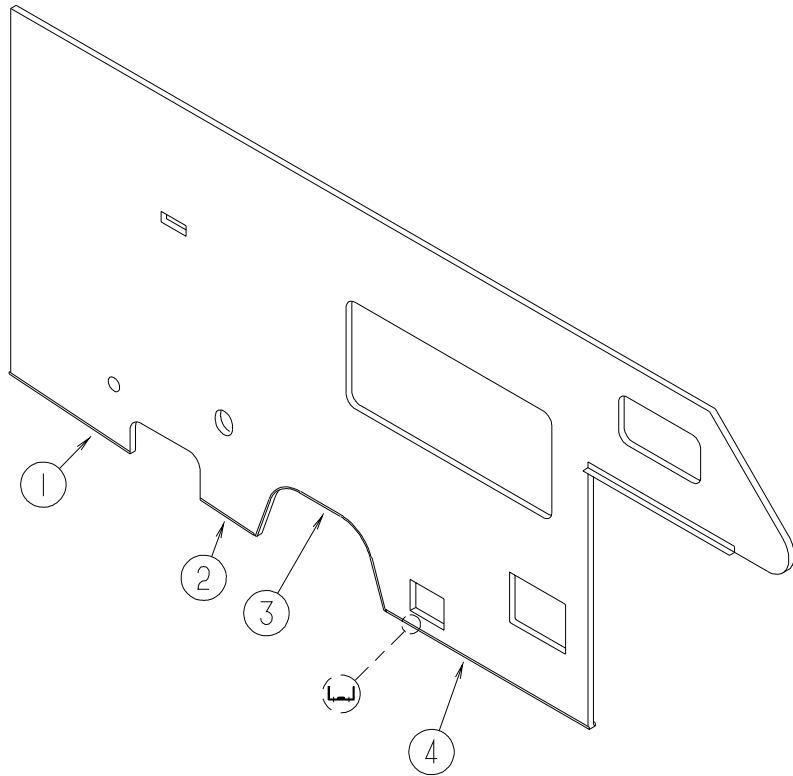


KEY	PART NUMBER	U/M	DESCRIPTION
1	002365-03-006	EA	U-CHANNEL - EXTRUDED - 1" X 192" - BRIGHT WHITE

**EXTERIOR BODY GROUP (CONTINUED)**  
**PANELS & TRIMS (CONTINUED)**



KEY	PART NUMBER	U/M	DESCRIPTION
1	108039-23-01A	EA	TRIM - SIDEWALL - 42.8" - BRIGHT WHITE
2	108039-24-01A	EA	TRIM - SIDEWALL - 3.7" - BRIGHT WHITE
3	124517-04-01A	EA	TRIM - WHEELWELL - REAR/DRIVER/PASSENGER - BRIGHT WHITE
4	108039-37-01A	EA	TRIM - SIDEWALL - 74.1" - BRIGHT WHITE



KEY	PART NUMBER	U/M	DESCRIPTION
1	108039-35-01A	EA	TRIM - SIDEWALL - 41.2" - BRIGHT WHITE
2	108039-27-01A	EA	TRIM - SIDEWALL - 19" - BRIGHT WHITE
3	124517-04-01A	EA	TRIM - WHEELWELL - REAR/DRIVER/PASSENGER - BRIGHT WHITE
4	108039-26-01A	EA	TRIM - SIDEWALL - 61.5" BRIGHT WHITE

## EXTERIOR BODY GROUP (CONTINUED)

### LADDER

KEY	PART NUMBER	U/M	DESCRIPTION
	129639-06-01A	EA	LADDER - ALUMINUM BRUSHED - 324F, 329B, 331C
	129639-03-01A	EA	LADDER - BRUSHED ALUMINUM - 322E, 322R, 324V, 329N
	038327-01-000	EA	TAPE - ANTI-SLIP - 2" X 60'

### RUNNING BOARDS

KEY	PART NUMBER	U/M	DESCRIPTION
*	072884-27-000	EA	RUNNING BOARD SET - 39" - FORD - ALUMINUM
*	072884-28-000	EA	RUNNING BOARD SET - ALUMINUM - CHEVY CHASSIS

\*COMPONENT PARTS LISTED LATER IN THIS GROUP



**EXTERIOR BODY GROUP (CONTINUED)**  
**COMPONENT PARTS FOR RUNNING BOARDS**

**072884-27-000**

<b>KEY</b>	<b>PART NUMBER</b>	<b>U/M</b>	<b>DESCRIPTION</b>	<b>VENDOR NO.</b>
	072884-27-700	EA	BRACKET SET 12" 92	RB2BRK/M
	072884-27-701	EA	RUNNING BOARD-FORD 39",RT&LT	
	072884-27-702	FT	TREAD TAPE	RB9202
	072884-27-703	EA	MUD FLAP W/HOLES, 1EA=PAIR	99171
	072884-27-704	EA	CAP-ENDS, 1EA=PAIR	99148

**072884-28-000**

<b>KEY</b>	<b>PART NUMBER</b>	<b>U/M</b>	<b>DESCRIPTION</b>	<b>VENDOR NO.</b>
	072884-27-704	EA	CAP-ENDS, 1EA=PAIR	99148
	072884-28-700	EA	RUNNING BOARD W/BRKTS RT/LT	15543
	072884-28-701	EA	MUD FLAP - FRONT - 1EA=PAIR	99153
	072884-28-702	EA	BRACKET SET - COMPLETE	206771

## EXTERIOR BODY GROUP (CONTINUED)

### MIRRORS

KEY	PART NUMBER	U/M	DESCRIPTION
*	120269-07-01A	EA	PANEL - DRIVERS DOOR MIRROR CONTROL W/SWITCH & PIGTAIL - FORD
	120269-08-000	EA	HARNES - ELECTRIC MIRROR
*	133908-01-01A	EA	MIRROR/PASSENGER - 102" W/B FORD - BLACK - FORD
*	133908-02-01A	EA	MIRROR/DRIVER - 102" W/B FORD - BLACK - FORD
*	133908-03-02A	EA	MIRROR/PASSENGER - 102" W/B FORD - HEATED/REMOTE - W/DEFROST - FORD
*	133908-04-02A	EA	MIRROR/DRIVER - 102" W/B FORD - HEATED/REMOTE - W/DEFROST - FORD
*	133908-05-01A	EA	MIRROR/PASSENGER - 102" - BLACK - CHEVY
*	133908-06-01A	EA	MIRROR/DRIVER - 102" - BLACK - CHEVY
*	133908-07-01A	EA	MIRROR/PASSENGER - 102" CHEVY C BODY - HEATED/REMOTE - W/DEFROST - CHEVY
*	133908-08-01A	EA	MIRROR/DRIVER - 102" CHEVY C BODY - HEATED/REMOTE - W/DEFROST - CHEVY
*	133908-09-01A	EA	PANEL - DOOR - ELECTRIC MIRROR - CHEVY

\*COMPONENT PARTS LISTED LATER IN THIS GROUP

# EXTERIOR BODY GROUP (CONTINUED)

## COMPONENT PARTS FOR MIRRORS

### 120269-07-01A

KEY	PART NUMBER	U/M	DESCRIPTION	VENDOR NO.
	120269-07-700	EA	SWITCH - REMOTE	7475720
	133908-09-700	EA	SWITCH-MIRROR HEATER	7475150

### 133908-01-01A, 133908-01-02A, 133908-02-01A, 133908-03-01A, 133908-03-02A, 133908-04-01A, 133908-05-01A, 133908-06-01A, 133908-07-01A, 133908-08-01A

KEY	PART NUMBER	U/M	DESCRIPTION	VENDOR NO.
	117051-01-700	EA	MIRROR-CONVEX	723068-4
	120269-05-701	EA	GLASS ONLY REPLACEMENT RH/LH	709411

### 133908-09-01A

KEY	PART NUMBER	U/M	DESCRIPTION	VENDOR NO.
	133908-09-700	EA	SWITCH-MIRROR HEATER	7475150

## EXTERIOR BODY GROUP (CONTINUED)

### STRUCTURAL COMPONENTS

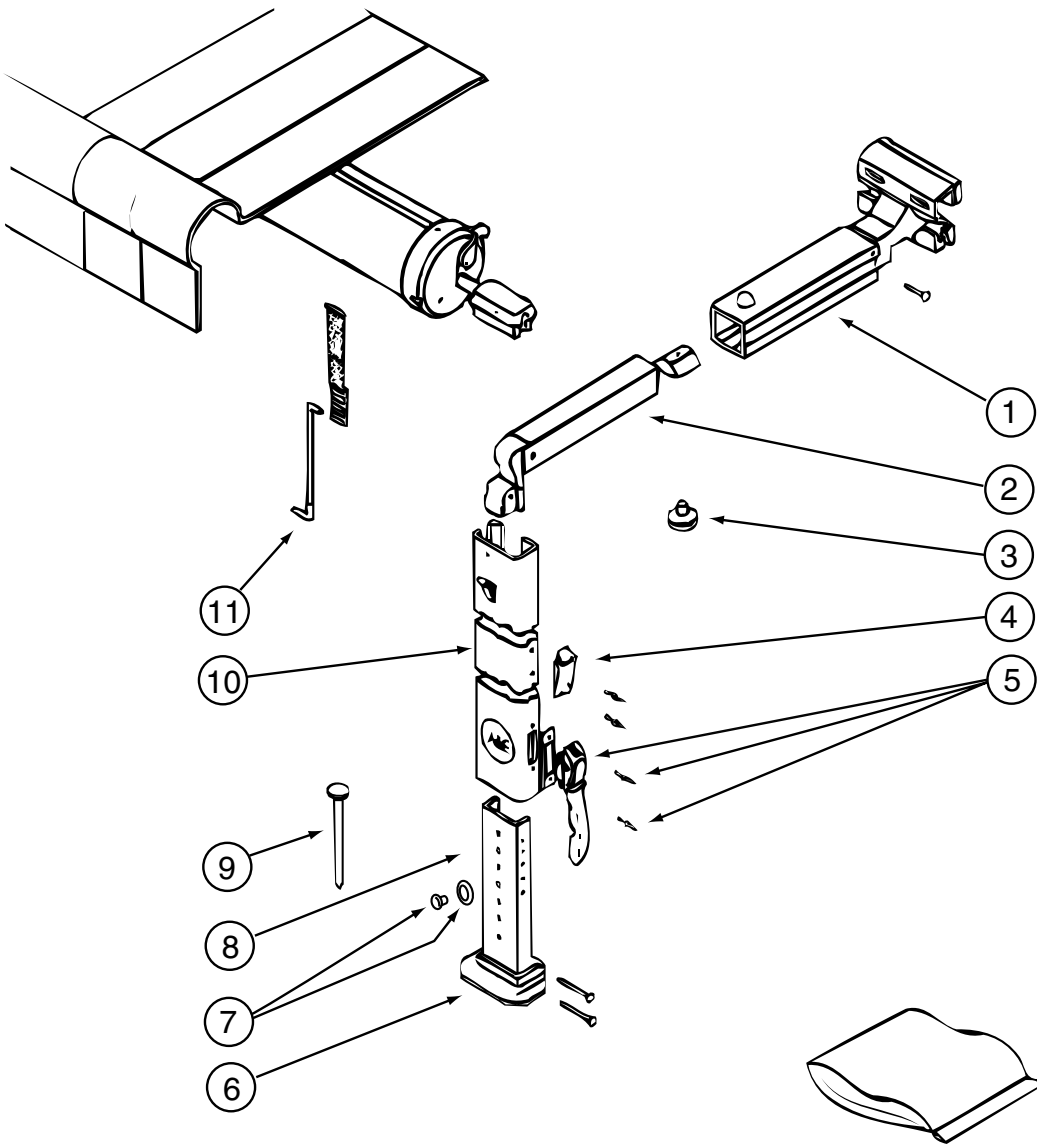
KEY	PART NUMBER	U/M	DESCRIPTION
	000870-09-000	SF	STYROFOAM - .85" X 48" X 96" - PLANED
	002726-01-001	EA	GARNISH - U-CHANNEL - 1.38" X 19' - SERRATED
	002754-01-001	EA	ANGLE - EXTRUDED - 3/4" X 3/4" X 16' - MILL ALUMINUM
	076054-AC-000	EA	FIBERGLASS SHEET - 20" X 99.8" - OFF WHITE
	076054-N3-000	EA	FIBERGLASS SHEET - 102" X 234" - BRIGHT WHITE
	076054-N4-000	EA	FIBERGLASS SHEET - 102" X 261.8" - BRIGHT WHITE
	076054-P9-000	EA	FIBERGLASS SHEET - 37.4" X 99.3" - BRIGHT WHITE
	076054-U6-000	EA	FIBERGLASS SHEET - 102" X 361" - BRIGHT WHITE
	076054-U8-000	EA	FIBERGLASS SHEET - 100" X 105" - BRIGHT WHITE
	076054-X9-000	EA	FIBERGLASS SHEET - 22.1" X 70.6" - BRIGHT WHITE
	076054-Y2-000	EA	FIBERGLASS SHEET -102" X 320.9" - BRIGHT WHITE
	077517-62-000	EA	FIBERGLASS SHEET - 48" X 96" - BRIGHT WHITE
	089297-01-000	SF	PLYWOOD - LUAN - OVERLAY GRADE - 4' X 8'
	089297-02-000	SF	PLYWOOD - LUAN - OVERLAY GRADE - 4' X 9'
	100619-01-000	BF	FOAM - EXPANDED POLYSTYRENE - 1.34" X 48" X 96"
	100619-02-000	BF	FOAM - EXPANDED POLYSTYRENE - 1.5" X 48" X 96"
	100619-04-000	BF	FOAM - EXPANDED POLYSTYRENE - .5" X 48" X 96"
	100619-05-000	BF	FOAM - EXPANDED POLYSTYRENE - .75" X 48" X 96"-1.5 DENSITY
	100619-11-000	BF	FOAM - EXPANDED POLYSTYRENE - 2" X 48" X 96"
	100619-16-000	BF	FOAM - EXPANDED POLYSTYRENE - .75" X 48" X 96"-2.0 DENSITY
	100619-25-000	BF	FOAM - EXPANDED POLYSTYRENE - 48" X 100" X .75"
	125838-02-001	EA	PLEXIDR-SHEET.125X38.0X53.0 - DR#13175E2 WHT SM
	128782-02-01A	EA	FIBERGLASS SHEET - 79" X 428" - HIGH GLOSS - BRIGHT WHITE

### AWNINGS

KEY	PART NUMBER	U/M	DESCRIPTION
*	113874-01-02A	EA	HARDWARE KIT - AWNING - W/O STANDOFF BRACKET-BRIGHT WHITE
	113874-03-44A	EA	AWNING - 11.5' JADESTONE - BRIGHT WHITE/VINYL WRAP - <a href="#">322E</a> , <a href="#">322R</a> , <a href="#">324F</a> , <a href="#">324V</a> FROM: 00-00-00 THRU: 08-26-01
	113874-03-48A	EA	AWNING - 11.5' NAVY TAUPE - BRIGHT WHITE VINYL WRAP - <a href="#">322E</a> , <a href="#">322R</a> , <a href="#">324F</a> , <a href="#">324V</a> FROM: 08-27-01 THRU: 99-99-99
	113874-05-44A	EA	AWNING - 14' JADESTONE - BRIGHT WHITE VINYL WRAP - <a href="#">329B</a> , <a href="#">329N</a> FROM: 00-00-00 THRU: 08-26-01
	113874-05-48A	EA	AWNING - 14' NAVY TAUPE - BRIGHT WHITE VINYL WRAP - <a href="#">329B</a> , <a href="#">329N</a> FROM: 08-27-01 THRU: 99-99-99
	113874-06-44A	EA	AWNING - 16' JADESTONE - BRIGHT WHITE VINYL WRAP - <a href="#">331C</a> FROM: 00-00-00 THRU: 08-26-01
	113874-06-48A	EA	AWNING - 16' NAVY TAUPE - BRIGHT WHITE VINYL WRAP - <a href="#">331C</a> FROM: 08-27-01 THRU: 99-99-99
	137054-01-02A	EA	BRACKET - AWNING - BRIGHT WHITE
	111038-01-01A	EA	SPACER - AWNING - LOWER
	113874-10-01A	EA	SPACER - AWNING - LOWER BRACKET
	127647-01-01A	EA	ROD/AWNING GUARD - ENTRY DOOR

\*COMPONENT PARTS LISTED LATER IN THIS GROUP

**EXTERIOR BODY GROUP (CONTINUED)**  
**COMPONENT PARTS FOR AWNINGS**

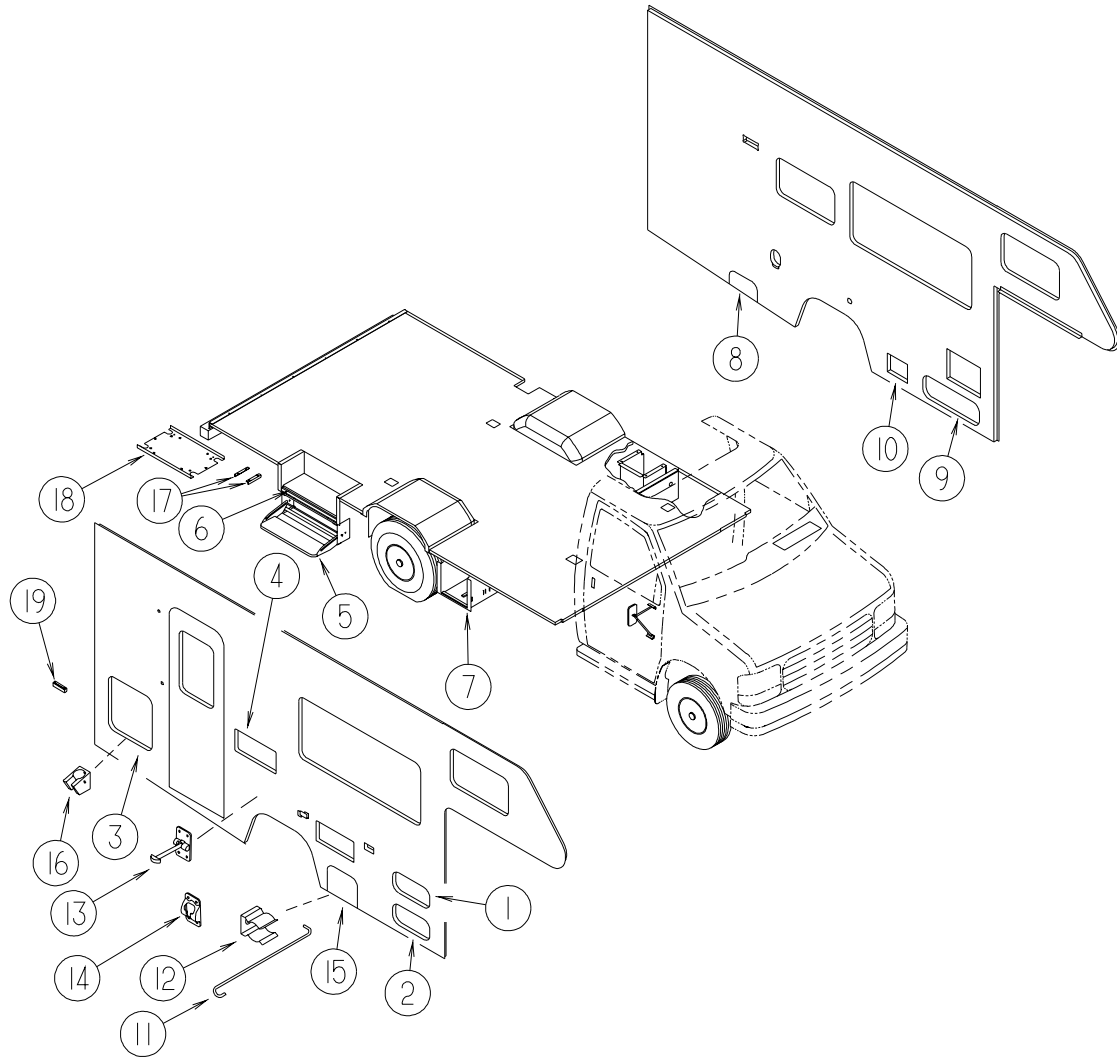


113874-01-02A

KEY	PART NUMBER	U/M	DESCRIPTION	VENDOR NO.
1	113874-01-714	EA	RAFTER - MAIN RH/LH BRT/WHT	830295.536F
2	113874-01-715	EA	RAFTER - SECONDARY BRT/WHT	830463.511F
3	113874-01-702	EA	KNOB - ADJUSTING	3105421014
4	113874-01-706	EA	LOCK - TRAVEL	830587.001
5	113874-01-707	EA	HANDLE - LIFT W/RIVETS	830644
6	113874-01-712	EA	FOOT - PATIO	730366-001
7	113874-01-710	EA	PLUG-STOP KIT	830456
8	113874-01-717	EA	ARM - ADJUSTABLE BRT/WHT	830467.517/F
9	113874-01-709	EA	NAIL-SPIKE, 8"	113006
10	113874-01-716	EA	ARM - MAIN SUPPORT BRT/WHT	3104502.293/F
11	113874-01-703	EA	ROD-CENTER PULL W/ACCESSORY	830152.102

# EXTERIOR DOORS & COMPARTMENTS GROUP

## DOOR & COMPARTMENT LAYOUT



KEY	PART NUMBER	U/M	DESCRIPTION
1	126945-01-J22	EA	DOOR/ENTERTAINMENT CENTER - W/O HARDWARE - 18" X 8.3"
2	126945-02-J01	EA	DOOR/STORAGE - W/O HARDWARE - 18" X 8.3"
3	126946-15-J01	EA	DOOR/STORAGE - W/O HARDWARE - 21.2" X 22.6"
	102768-01-000	EA	HOLDER - COMPARTMENT/ENTRY DOOR - METAL - MILL FINISH
4*	084103-08-000	EA	DOOR - VENT - REFRIGERATOR - W/O JAMB - BRIGHT WHITE
	084104-08-000	EA	JAMB - VENT DOOR/REFRIGERATOR - BRIGHT WHITE
5	077848-02-000	EA	STEP - PULLOUT
	102569-04-000	EA	MAT - ANTI SLIP
5*	094708-03-01A	EA	STEP - ELECTRIC - SINGLE - BLACK CONTROL BOX - KWIKEE
6	133114-03-01A	EA	TREAD - STEP/RUBBER - 27.1" - TAUPE(N04, N06)
6	133114-03-013	EA	TREAD - STEP/RUBBER - 27.1" - GRAY(N05)
7	105203-04-000	EA	COMPARTMENT - BATTERY
8	127278-01-J01	EA	VALANCE/DOOR - W/O HARDWARE - DRIVER - 7.4" X 13.1" X 6.3"
	096217-55-006	EA	U CHANNEL - 210"
9	126946-05-J01	EA	DOOR/STORAGE - W/O HARDWARE - 27.5" X 9.3"
10	088794-06-000	EA	DOOR - POWER CORD W/HATCH - BRIGHT WHITE - 9.2" X 11"
11	101667-03-000	EA	PROP - ROD
12	089329-02-000	EA	CLIP - SPRING
13	104099-01-04A	EA	CATCH - DOOR HOLDER - STRIKE - BRIGHT WHITE
14	104099-02-04A	EA	CATCH - DOOR HOLDER - RETAINER - BRIGHT WHITE
15	127405-01-J01	EA	VALANCE/DOOR - W/O HARDWARE - 14.5" X 11.8"
16	131383-03-02A	EA	BRACKET - SHOWER HEAD - WHITE
17	139997-01-02B	EA	ANGLE - STEEL - W/2 SLOTS - E-COATED
18	091176-01-000	EA	SUPPORT - BASE - ENTRY STEP
19	102768-01-000	EA	HOLDER - COMPARTMENT/ENTRY DOOR - METAL - MILL FINISH

**EXTERIOR DOORS & COMPARTMENTS GROUP (CONTINUED)**  
**DOOR & COMPARTMENT LAYOUT (CONTINUED)**

**KEY PART NUMBER U/M DESCRIPTION**

**LOCK ASSEMBLY USED UP TO 04-30-01**

129685-01-000	EA	CYLINDER - LOCK ASSEMBLY - COMPARTMENT/DRIVER DOOR
129685-02-000	EA	CYLINDER - LOCK ASSEMBLY - COMPARTMENT/DRIVER DOOR
129685-03-000	EA	CYLINDER - LOCK ASSEMBLY - COMPARTMENT/DRIVER DOOR
129685-04-000	EA	CYLINDER - LOCK ASSEMBLY - COMPARTMENT/DRIVER DOOR
129685-05-000	EA	CYLINDER - LOCK ASSEMBLY - COMPARTMENT/DRIVER DOOR
129685-06-000	EA	CYLINDER - LOCK ASSEMBLY - COMPARTMENT/DRIVER DOOR
129685-07-000	EA	CYLINDER - LOCK ASSEMBLY - COMPARTMENT/DRIVER DOOR
129685-08-000	EA	CYLINDER - LOCK ASSEMBLY - COMPARTMENT/DRIVER DOOR
129685-09-000	EA	CYLINDER - LOCK ASSEMBLY - COMPARTMENT/DRIVER DOOR
129685-10-000	EA	CYLINDER - LOCK ASSEMBLY - COMPARTMENT/DRIVER DOOR

**LOCK ASSEMBLY USED AFTER 05-01-01**

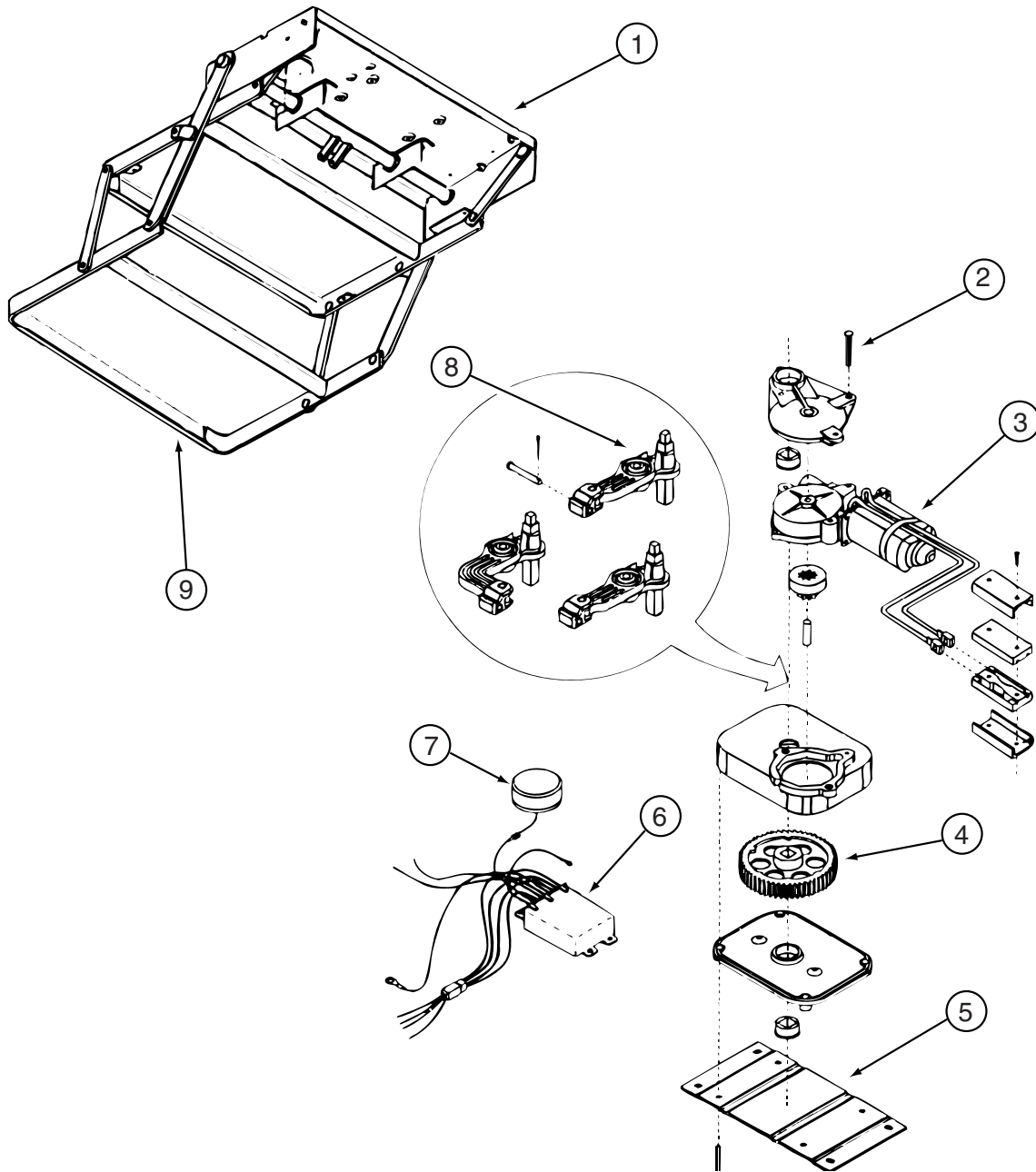
138289-01-000	EA	CYLINDER - LOCKING
138289-02-000	EA	CYLINDER - LOCKING
138289-03-000	EA	CYLINDER - LOCKING
138289-04-000	EA	CYLINDER - LOCKING
138289-05-000	EA	CYLINDER - LOCKING
138289-06-000	EA	CYLINDER - LOCKING
138289-07-000	EA	CYLINDER - LOCKING
138289-08-000	EA	CYLINDER - LOCKING
138289-09-000	EA	CYLINDER - LOCKING
138289-10-000	EA	CYLINDER - LOCKING

**\*COMPONENT PARTS LISTED LATER IN THIS GROUP**

**EXTERIOR DOORS & COMPARTMENTS GROUP (CONTINUED)**  
**COMPONENT PARTS FOR DOOR & COMPARTMENT LAYOUT**

084103-08-000

KEY	PART NUMBER	U/M	DESCRIPTION	VENDOR NO.
	084104-01-700	EA	LOCK-MALE, FASTENER	201-721-010
	084104-01-701	EA	LOCK-FEMALE, FASTENER	201-802-010



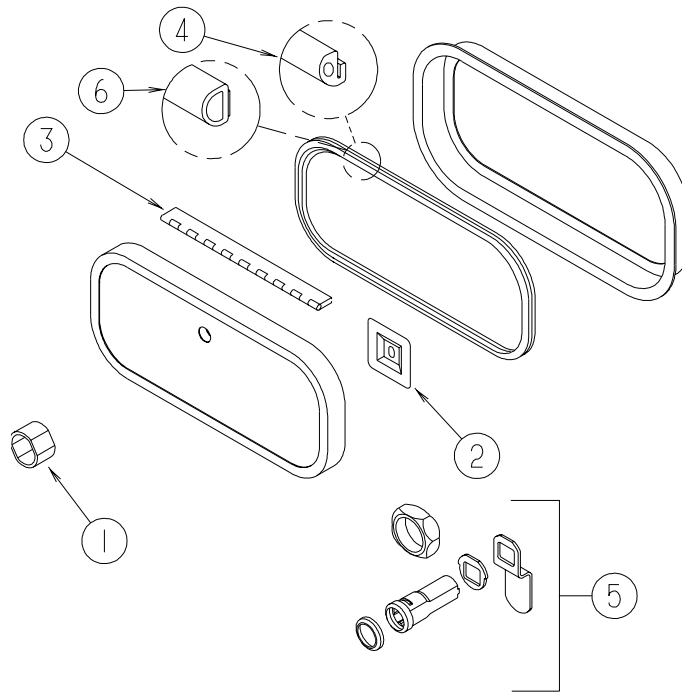
094708-03-01A

KEY	PART NUMBER	U/M	DESCRIPTION	VENDOR NO.
1	088746-01-709	EA	FRAME W/SGL STEP,2800 SERIES	908028
2	094707-02-703	EA	BEARING & PINS	909530
3	094707-02-700	EA	MOTOR ASM.,W/BEARINGS & PINS	909520
4	094707-02-702	EA	GEAR KIT(GEAR-BEARING-PINS)	909525
5	094707-02-704	EA	CONNECTOR-MOTOR ASM.W/PLATES	909537
6	094707-03-700	EA	KIT CONTROL/SWITCH-RETROFIT	909506005
7	088733-01-700	EA	BULB	9004
7	088746-01-705	EA	LIGHT-UNDER STEP	9004
8	094708-03-700	EA	LINKAGE ASSEMBLY-SERIES 28	909533
9	094707-02-707	EA	TREAD - NON-SKID - BLACK	909333
	094707-03-701	EA	PLUG - 4-WAY - PACKARD	909306



# EXTERIOR DOORS & COMPARTMENTS GROUP (CONTINUED)

## COMPARTMENT DOOR PIECE PARTS



**KEY PART NUMBER U/M DESCRIPTION**

1	107997-51-001	EA	SPACER - DOOR LOCK - .6" DEEP
	107997-51-003	EA	SPACER - DOOR LOCK .79" DEEP
2	NOT USED		
3	081801-V3-000	EA	HINGE - ALUMINUM - 2" X 96" - BRIGHT WHITE
4	106850-02-000	FT	SEAL-E - SPONGE RUBBER - .43" X .75"
4	106850-02-000	FT	SEAL-E - SPONGE RUBBER - .43" X .75"

**LOCK ASSEMBLY USED UP TO: 04-30-01**

5*	110506-26-000	EA	LOCK ASM-KEYED,40.26MM
	110506-54-000	EA	CASE/CYLINDER - LOCKING - W/O CAM/KEY - 1.25" - 703170
	110506-54-001	EA	CASE/CYLINDER - LOCKING - W/O CAM/KEY - 1.25" - 703171
	110506-54-002	EA	CASE/CYLINDER - LOCKING - W/O CAM/KEY - 1.25" - 703172
	110506-54-003	EA	CASE/CYLINDER - LOCKING - W/O CAM/KEY - 1.25" - 703173
	110506-54-004	EA	CASE/CYLINDER - LOCKING - W/O CAM/KEY - 1.25" - 703174
	110506-54-005	EA	CASE/CYLINDER - LOCKING - W/O CAM/KEY - 1.25" - 703175
	110506-54-006	EA	CASE/CYLINDER - LOCKING - W/O CAM/KEY - 1.25" - 703176
	110506-54-007	EA	CASE/CYLINDER - LOCKING - W/O CAM/KEY - 1.25" - 703177
	110506-54-008	EA	CASE/CYLINDER - LOCKING - W/O CAM/KEY - 1.25" - 703178
	110506-54-009	EA	CASE/CYLINDER - LOCKING - W/O CAM/KEY - 1.25" - 703179
	110506-66-000	EA	CAM - LATCHING - DOG LEGGED 1.5" LONG
	110506-55-000	EA	CASE/CYLINDER - TWIST LOCK - W/O CAM - 1.25" - 597312AA1

**LOCK ASSEMBLY USED AFTER 05-01-01**

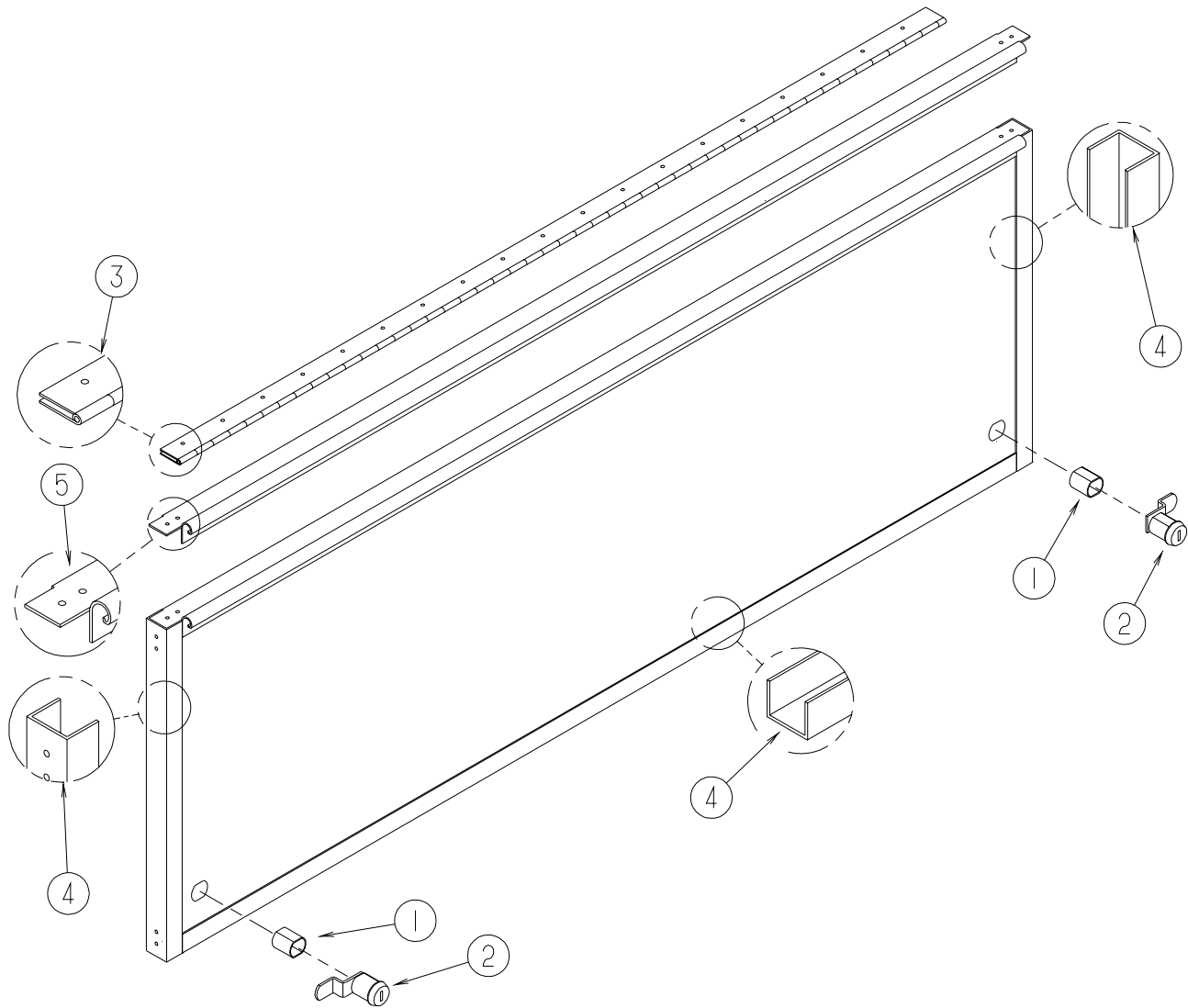
5	138290-02-000	EA	CASE - W/CAM - W/O CYLINDER/KEY
6	112160-02-000	FT	SEAL - D SECTION - .2 X .3" - FOAM RUBBER

**\*COMPONENT PARTS LISTED LATER IN THIS GROUP**

**EXTERIOR DOORS & COMPARTMENTS GROUP (CONTINUED)**  
**COMPONENT PARTS FOR COMPARTMENT DOOR PIECE PARTS**

		110506-26-000 - 110506-27-000 - 110506-33-000	
<b>KEY</b>	<b>PART NUMBER</b>	<b>U/M DESCRIPTION</b>	<b>VENDOR NO .</b>
	110506-40-700	EA HARDWARE PACKAGE-CYLINDER/CASE	596950AAL

**EXTERIOR DOORS & COMPARTMENTS GROUP (CONTINUED)**  
**COMPARTMENT DOOR PIECE PARTS (CONTINUED)**



KEY	PART NUMBER	U/M	DESCRIPTION
1	107997-51-001	EA	SPACER - DOOR LOCK - .6" DEEP
2	110506-40-700	EA	HDWE KIT 596950AAL
2	110506-55-000	EA	CASE/CYLINDER - TWIST LOCK - W/O CAM - 1.25" - 597312AA1
2	110506-54-000	EA	CASE/CYLINDER - LOCKING - W/O CAM/KEY - 1.25" - 703170
2	110506-54-001	EA	CASE/CYLINDER - LOCKING - W/O CAM/KEY - 1.25" - 703171
2	110506-54-002	EA	CASE/CYLINDER - LOCKING - W/O CAM/KEY - 1.25" - 703172
2	110506-54-003	EA	CASE/CYLINDER - LOCKING - W/O CAM/KEY - 1.25" - 703173
2	110506-54-004	EA	CASE/CYLINDER - LOCKING - W/O CAM/KEY - 1.25" - 703174
2	110506-54-005	EA	CASE/CYLINDER - LOCKING - W/O CAM/KEY - 1.25" - 703175
2	110506-54-006	EA	CASE/CYLINDER - LOCKING - W/O CAM/KEY - 1.25" - 703176
2	110506-54-007	EA	CASE/CYLINDER - LOCKING - W/O CAM/KEY - 1.25" - 703177
2	110506-54-008	EA	CASE/CYLINDER - LOCKING - W/O CAM/KEY - 1.25" - 703178
2	110506-54-009	EA	CASE/CYLINDER - LOCKING - W/O CAM/KEY - 1.25" - 703179
2	110506-64-000	EA	CAM - LATCHING - DOG LEGGED 1.8" LONG
3	126694-55-002	EA	EXTRUSION = U-CHANNEL/HINGED - 143.8" - BRIGHT WHITE
4	122612-55-008	EA	U-CHANNEL/EXTRUSION - 144" - BRIGHT WHITE
5	115476-11-01A	EA	HINGE - CONTINUOUS - W/HOLES - BRIGHT WHITE



## EXTERIOR DOORS & COMPARTMENTS GROUP (CONTINUED)

### ENTRY (CONTINUED)

KEY	PART NUMBER	U/M	DESCRIPTION
1	132915-01-01A	EA	LATCH - SCREEN DOOR
2	P32206-09-N01	EA	DOOR - ENTRY W/SCREEN DOOR - W/O WINDOW/LATCH - 322E, 322R, 324F, 324V, 329B, 329N
2	P32206-09-N02	EA	DOOR - ENTRY W/SCREEN DOOR - W/O WINDOW/LATCH - 322E, 322R, 324F, 324V, 329B, 329N
2	P32206-09-N03	EA	DOOR - ENTRY W/SCREEN DOOR - W/O WINDOW/LATCH - 322E, 322R, 324F, 324V, 329B, 329N
2	P32206-12-N01	EA	DOOR - ENTRY W/SCREEN DOOR - W/O WINDOW/LATCH - 331C
2	P32206-12-N02	EA	DOOR - ENTRY W/SCREEN DOOR - W/O WINDOW/LATCH - 331C
2	P32206-12-N03	EA	DOOR - ENTRY W/SCREEN DOOR - W/O WINDOW/LATCH - 331C
3	137401-01-03B	EA	BRACKET - DOOR ANGLE - OFF WHITE
4	075671-04-000	FT	SEAL - SPONGE - LAZY T - W/ADHESIVE STRIP - .5" WIDE
5	106719-01-05A	EA	HINGE - ENTRY DOOR - BRIGHT WHITE
	106719-01-01A	EA	HINGE - ENTRY DOOR - MILL
	039715-01-000	EA	NUT-SERT - 1/4" DIAMETER - 20 THREADS
	116111-02-01A	EA	SCREW - TAPTITE - 1/4-20 X 3/8 PPH - ZINC
6	132208-04-L07	EA	DOOR - SCREEN - W/O HARDWARE
7	118929-01-01A	FT	SEAL - PILE - PUSH ON
8	121893-01-01A	EA	FRAME - ENTRY DOOR/BOTTOM - BRIGHT WHITE
9	121894-21-01A	EA	FRAME - ENTRY DOOR - BRIGHT WHITE
9	121894-23-01A	EA	FRAME - ENTRY DOOR - BRIGHT WHITE - 329B
10	121898-16-01A	EA	JAMB - ENTRY DOOR - BRIGHT WHITE
10	121898-18-01A	EA	JAMB - ENTRY DOOR - BRIGHT WHITE - 329B
11	051049-01-000	EA	JAMB/DOOR - BOTTOM - 25.9" - UNPAINTED
	038327-01-000	EA	TAPE - ANTI-SLIP - 2" X 60'
	075673-05-000	FT	SEAL - PILE - ADHESIVE BACK - BLACK
12	044582-44-000	EA	CAP - DRIP - JAMB - BRIGHT WHITE
13	139100-02-01A	EA	GARNISH/RADIUS - ENTRY DOOR - BRIGHT WHITE
14	139101-02-01A	EA	GARNISH/STRAIGHT - 35.31" - W/O NOTCHES - BRIGHT WHITE

**EXTERIOR DOORS & COMPARTMENTS GROUP (CONTINUED)**  
**ENTRY (CONTINUED)**

**LOCK ASSEMBLY USED UP TO 04-30-01**

KEY	PART NUMBER	U/M	DESCRIPTION
	129685-01-000	EA	CYLINDER - LOCK ASSEMBLY - ENTRANCE DOOR (J)
	129685-02-000	EA	CYLINDER - LOCK ASSEMBLY - ENTRANCE DOOR (J)
	129685-03-000	EA	CYLINDER - LOCK ASSEMBLY - ENTRANCE DOOR (J)
	129685-04-000	EA	CYLINDER - LOCK ASSEMBLY - ENTRANCE DOOR (J)
	129685-05-000	EA	CYLINDER - LOCK ASSEMBLY - ENTRANCE DOOR (J)
	129685-06-000	EA	CYLINDER - LOCK ASSEMBLY - ENTRANCE DOOR (J)
	129685-07-000	EA	CYLINDER - LOCK ASSEMBLY - ENTRANCE DOOR (J)
	129685-08-000	EA	CYLINDER - LOCK ASSEMBLY - ENTRANCE DOOR (J)
	129685-09-000	EA	CYLINDER - LOCK ASSEMBLY - ENTRANCE DOOR (J)
	129685-10-000	EA	CYLINDER - LOCK ASSEMBLY - ENTRANCE DOOR (J)
*	129676-01-000	EA	KEY - T/M 14472-07-1431
*	129676-02-000	EA	KEY - T/M 14472-07-1432
*	129676-03-000	EA	KEY - T/M 14472-07-1433
*	129676-04-000	EA	KEY - T/M 14472-07-1434
*	129676-05-000	EA	KEY - T/M 14472-07-1435
*	129676-06-000	EA	KEY - T/M 14472-07-1436
*	129676-07-000	EA	KEY - T/M 14472-07-1437
*	129676-08-000	EA	KEY - T/M 14472-07-1438
*	129676-09-000	EA	KEY - T/M 14472-07-1439
*	129676-10-000	EA	KEY - T/M 14472-07-1440

**LOCK ASSEMBLY USED AFTER 05-01-01**

KEY	PART NUMBER	U/M	DESCRIPTION
	138287-01-000	EA	CYLINDER/LOCK - ENTRY DOOR (MASTER)
	138287-02-000	EA	CYLINDER/LOCK - ENTRY DOOR (MASTER)
	138287-03-000	EA	CYLINDER/LOCK - ENTRY DOOR (MASTER)
	138287-04-000	EA	CYLINDER/LOCK - ENTRY DOOR (MASTER)
	138287-05-000	EA	CYLINDER/LOCK - ENTRY DOOR (MASTER)
	138287-06-000	EA	CYLINDER/LOCK - ENTRY DOOR (MASTER)
	138287-07-000	EA	CYLINDER/LOCK - ENTRY DOOR (MASTER)
	138287-08-000	EA	CYLINDER/LOCK - ENTRY DOOR (MASTER)
	138287-09-000	EA	CYLINDER/LOCK - ENTRY DOOR (MASTER)
	138287-10-000	EA	CYLINDER/LOCK - ENTRY DOOR (MASTER)
	138288-01-000	EA	KEY - REVERSIBLE - #1151 - T/M 16169-02-3091
	138288-02-000	EA	KEY - REVERSIBLE - #1152 - T/M 16169-02-3092
	138288-03-000	EA	KEY - REVERSIBLE - #1153 - T/M 16169-02-3093
	138288-04-000	EA	KEY - REVERSIBLE - #1154 - T/M 16169-02-3094
	138288-05-000	EA	KEY - REVERSIBLE - #1155 - T/M 16169-02-3095
	138288-06-000	EA	KEY - REVERSIBLE - #1156 - T/M 16169-02-3096
	138288-07-000	EA	KEY - REVERSIBLE - #1157 - T/M 16169-02-3097
	138288-08-000	EA	KEY - REVERSIBLE - #1158 - T/M 16169-02-3098
	138288-09-000	EA	KEY - REVERSIBLE - #1159 - T/M 16169-02-3099
	138288-10-000	EA	KEY - REVERSIBLE - #1150 - T/M 16169-02-3100

**\*COMPONENT PARTS LISTED LATER IN THIS GROUP**

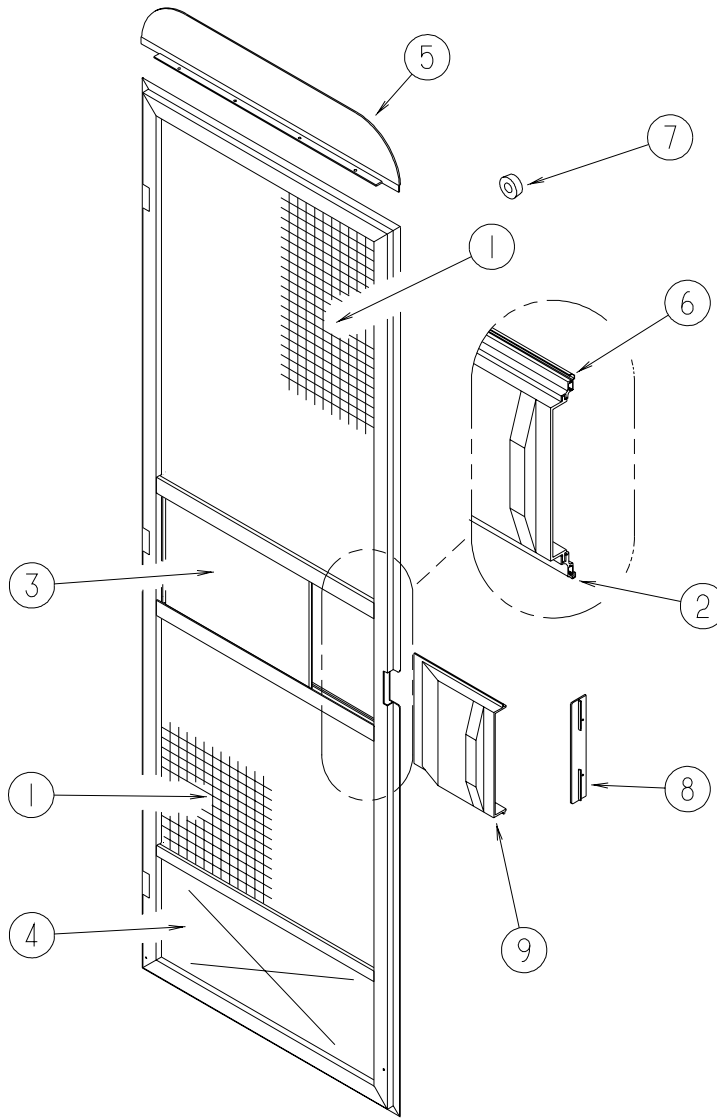
**EXTERIOR DOORS & COMPARTMENTS GROUP (CONTINUED)**  
**COMPONENT PARTS FOR ENTRY**

129676-01-000 THRU 129676-10-000

<b>KEY</b>	<b>PART NUMBER</b>	<b>U/M</b>	<b>DESCRIPTION</b>	<b>VENDOR NO .</b>
	129685-01-701	EA	KEY - BLANK KS 150	144472-07-2001

# EXTERIOR DOORS & COMPARTMENTS GROUP (CONTINUED)

## SCREEN

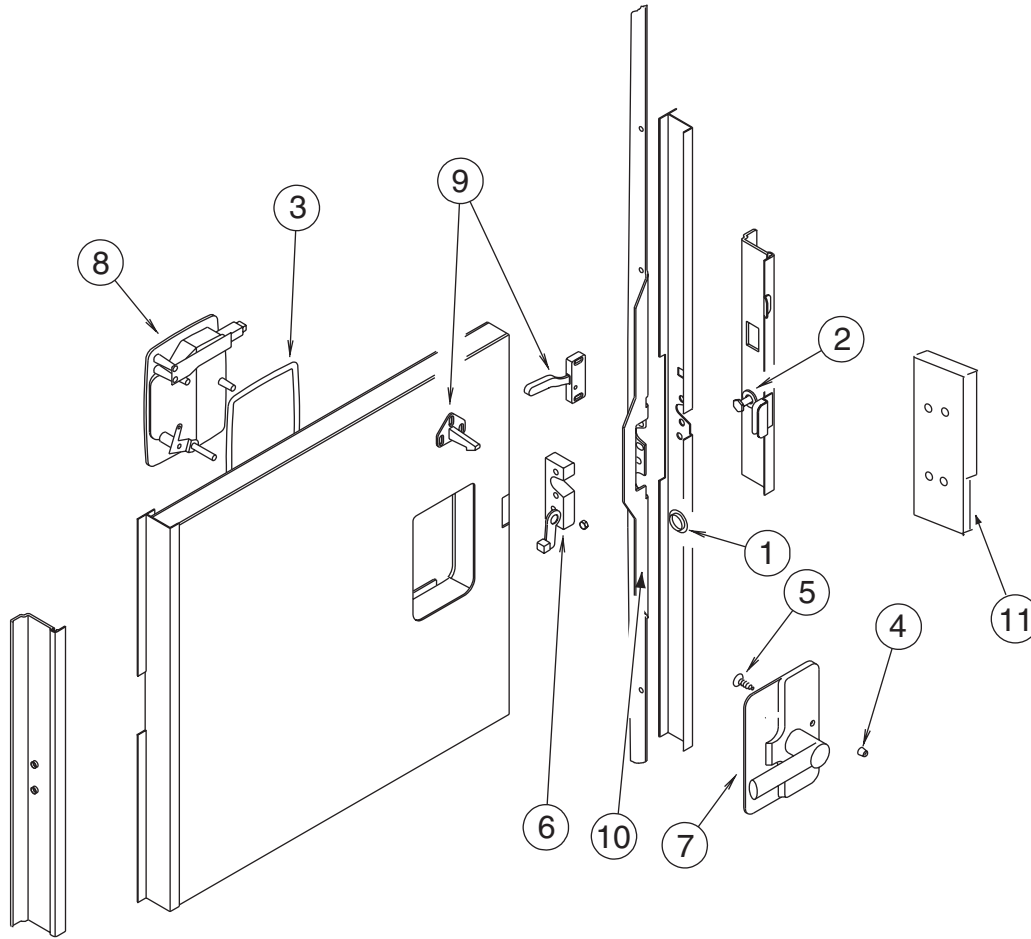


KEY	PART NUMBER	U/M	DESCRIPTION
	132208-04-L07	EA	DOOR - SCREEN - W/O HARDWARE
1	002293-02-000	SF	SCREEN - 26" - CHARCOAL
2	002294-01-000	FT	SPLINE - SCREENING - .135" X .138"
3	016454-21-000	EA	INSERT - CENTER - LEATHER GRAIN ALUMINUM - UNPAINTED
4	078552-03-000	EA	KICK PANEL - SCREEN DOOR - LOWER INSERT - UNPAINTED
5	078595-01-000	EA	TOP PLATE - SCREEN DOOR - CURVED TOP - 4.7" X 25.35"
6	132082-01-01A	EA	SLIDER - SCREEN DOOR - BRIGHT WHITE
7	120863-06-000	EA	BUMPER - RUBBER - 3/4" X 3/8"
8	132081-01-01A	EA	STRIKE - SLIDER - SCREEN DOOR - BRIGHT WHITE
9	078777-08-000	FT	CHANNEL - SLIDER



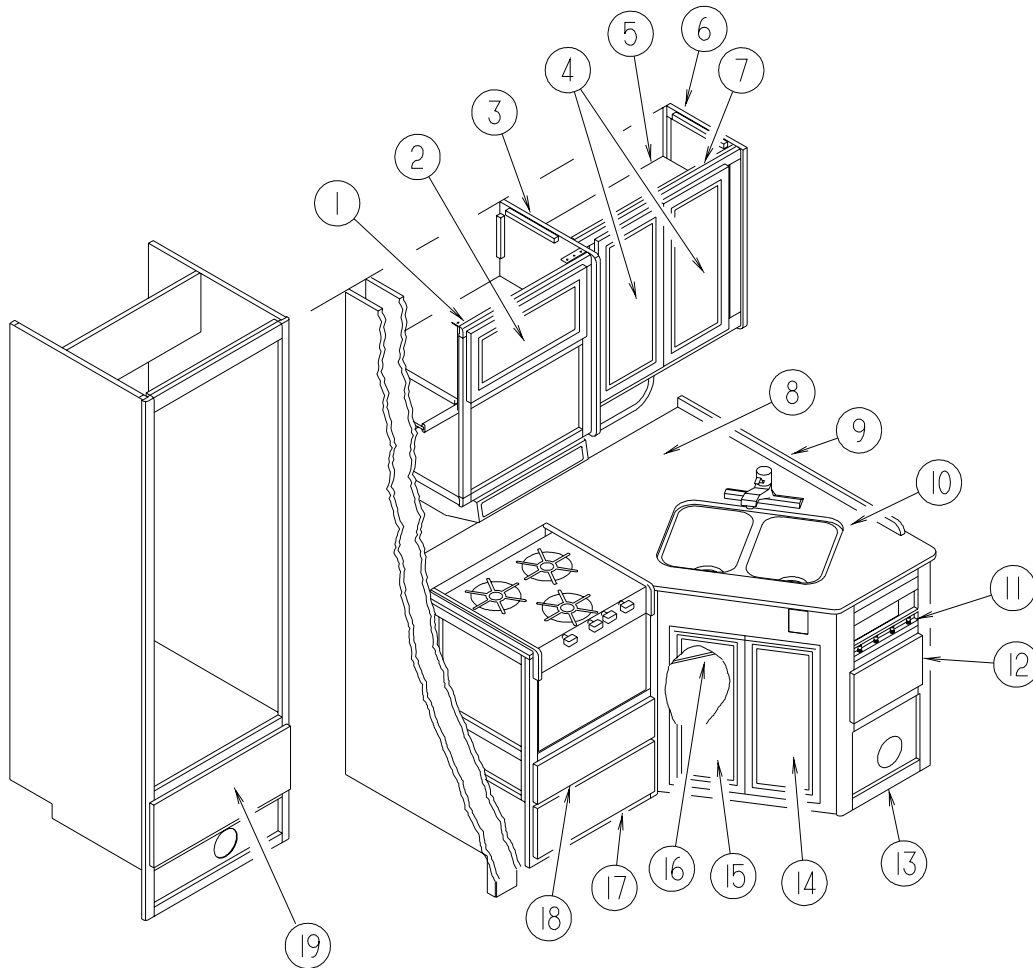
# EXTERIOR DOORS & COMPARTMENTS GROUP (CONTINUED)

## LATCH - ENTRY



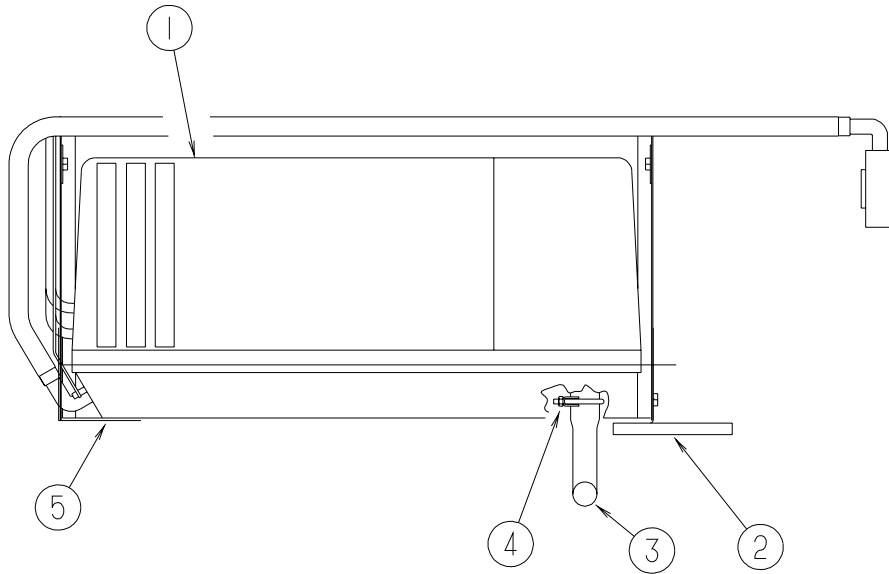
KEY	PART NUMBER	U/M	DESCRIPTION
1	061420-14-000	EA	PLUG/PLASTIC - .034" DIAMETER
2	092927-14-000	EA	STRIKER - ROUND - JAMB MOUNTED
3	112782-04-01A	EA	GASKET
4	112782-05-01A	EA	CAP - VINYL - RED
5	112782-08-01A	EA	SCREW - MOUNTING/PLATE - ZINC
6	112782-15-01A	EA	LATCH - SINGLE ROTOR
7	112782-16-01A	EA	LATCH - INTERIOR PLATE
8	112782-17-01A	EA	LATCH - EXTERIOR - W/O CYLINDER - W/ICON LOCK/UNLOCK
9	132915-01-01A	EA	LATCH - SCREEN DOOR
10	132207-01-02B	EA	STIFFENER/DOOR - FORMED - E-COATED
	072893-04-000	EA	NUTSERT - 10-32
11	077461-07-000	EA	COVER - STRIKE - ENTRY DOOR - 6.5" X 2.5" - WHITE PLASTIC

## GALLEY GROUP CABINETS



KEY	PART NUMBER	U/M	DESCRIPTION
1	133857-01-N01	EA	CABINET - MICROWAVE - W/O DOORS/HARDWARE
2	132141-A1-N01	EA	DOOR - RAIL/VENEER - 10.8" X 21.8" - W/O HARDWARE
3	109908-92-M01	EA	END CAP - OVERHEAD CABINET
4	132141-05-N01	EA	DOOR - RAIL/VENEER - 12" X 25.9" - W/O HARDWARE
5	131952-12-N01	EA	SHELF - W/EDGE MOLDING
6	131952-14-M01	EA	END CAP - OVERHEAD CABINET
7	131952-01-N01	EA	CABINET - OVERHEAD/GALLEY - W/O DOORS/HARDWARE
8	132601-61-N01	EA	COUNTERTOP - LAMINATED - GRAY TRANQUILITY/NATURAL OAK (N01,N02)
8	132601-61-M03	EA	COUNTERTOP - LAMINATED - WHITE TALC/NATURAL OAK (N03)
9	098335-17-N01	EA	RAIL - GALLEY - 41" (N01,N02)
9	098335-17-M03	EA	RAIL - GALLEY - 41" (N03)
10	103610-03-N01	EA	COVER - SINK - 15.2" X 11" - LAMINATED BOTH SIDES (N01,N02)
10	103610-03-M03	EA	COVER - SINK - 15.2" X 11" - LAMINATED BOTH SIDES (N03)
11	131974-15-M01	EA	SPICE RACK
12	M09316-B7-N01	EA	DRAWER - OGEE EDGE - 10.7"W X 19.6"D - W/O SLIDES/HARDWARE
13	131974-03-N01	EA	CABINET - GALLEY - W/O COUNTERTOP/DOORS/DRAWERS/HARDWARE
14	131995-N7-N01	EA	DOOR - RAIL/SOLID PANEL - 10" X 25.1" - W/O HARDWARE
15	131995-N6-N01	EA	DOOR - RAIL/SOLID PANEL - 10" X 25.1" - W/O HARDWARE
16	131974-19-N01	EA	SHELF - W/PLASTIC EDGE MOLDING
17	M09316-75-N01	EA	DRAWER - OGEE EDGE - 19.8"W X 15.7"D - W/O SLIDES/HARDWARE
18	M09316-73-N01	EA	DRAWER - OGEE EDGE - 19.8"W X 15.7"D - W/O SLIDES/HARDWARE
19	131995-N0-N01	EA	DOOR - RAIL/SOLID PANEL - 10" X 25.2" - W/O HARDWARE

## GENERATOR GROUP



KEY	PART NUMBER	U/M	DESCRIPTION
1	109982-03-000	EA	GENERATOR - 4.0 MICROLITE - GAS
1	109982-04-000	EA	GENERATOR - 3.6 MICROLITE - LP
2	114071-02-02B	EA	SUPPORT - GENERATOR - RIGHT
3	105958-08-000	EA	PIPE - GENERATOR EXHAUST - 1.5" OD X 3.1" X 19.7" - <a href="#">322E</a> , <a href="#">322R</a> , <a href="#">324V</a> , <a href="#">331C</a>
3	105958-09-000	EA	PIPE - GENERATOR EXHAUST - 1.3" OD X 5.9" X 22" - <a href="#">329N</a>
3	105958-10-000	EA	PIPE - GENERATOR EXHAUST - 1.3" OD X 5.9" X 19.7" - <a href="#">329B</a>
3	138232-01-000	EA	PIPE - EXHAUST - GENERATOR - <a href="#">324F</a>
3	139763-01-000	EA	PIPE - EXHAUST - GENERATOR - <a href="#">324F</a>
4	007125-03-000	EA	CLAMP - MUFFLER - 1.5" DIAMETER
4	007125-04-000	EA	CLAMP - MUFFLER - 1.12" DIAMETER
5	114070-02-02B	EA	SUPPORT - GENERATOR - LEFT
	007131-01-000	EA	HANGER - TAILPIPE - 6 SLOTS - <a href="#">324F</a> , <a href="#">331C</a>

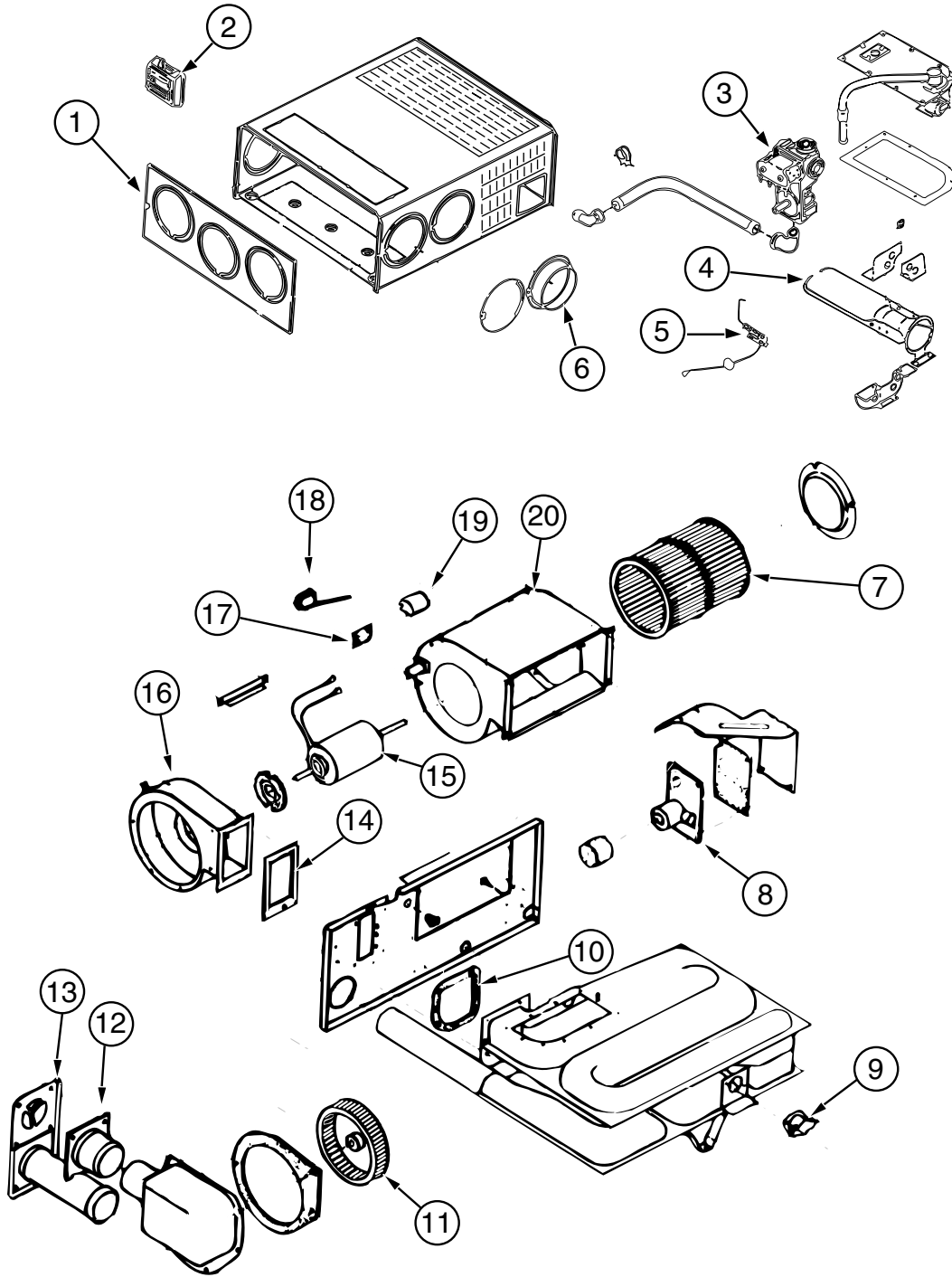
## HEATING & A/C GROUP

### FURNACE

KEY	PART NUMBER	U/M	DESCRIPTION
*	098668-19-000	EA	FURNACE - 25000 BTU - <a href="#">322E</a> , <a href="#">322R</a> , <a href="#">324F</a> , <a href="#">324V</a> FROM: 00-00-00 THRU: 06-03-01
*	139980-01-000	EA	FURNACE - 25000 BTU - SF QUIET - SUBURBAN SF-25 2320J - <a href="#">322E</a> , <a href="#">322R</a> , <a href="#">324F</a> , <a href="#">324V</a> FROM: 06-04-01 THRU: 99-99-99
*	098668-20-000	EA	FURNACE - 30,000 BTU - <a href="#">329N</a> , <a href="#">331C</a> FROM: 00-00-00 THRU: 06-03-01
*	139980-02-000	EA	FURNACE - 30000 BTU - SF QUIET - SUBURBAN SF-30 2321J - <a href="#">329B</a> , <a href="#">329N</a> , <a href="#">331C</a> FROM: 06-04-01 THRU: 99-99-99
	098668-23-000	EA	DOOR - ACCESS - FURNACE - BRIGHT WHITE
	009200-01-000	EA	TAPE - FURNACE - 1 1/2"
	089367-01-000	EA	TEE - 4" OD - 7" LONG - METAL
	009198-01-000	FT	DUCT - HEAT - FLEXIBLE - 4" ID X 25'
	069636-02-000	EA	CONNECTOR - DUCT - 4" ID
	118761-01-000	EA	REDUCER - 4"-2" - GALVANIZED
	056464-10-000	EA	REGISTER W/O DAMPER - 4" DIAMETER - PLASTIC - BEIGE
	093614-01-02A	EA	GRILLE - AIR RETURN - 15.9" X 7.9" - BEIGE

**\*COMPONENT PARTS LISTED LATER IN THIS GROUP**

**HEATING & A/C GROUP (CONTINUED)**  
**COMPONENT PARTS FOR FURNACE**



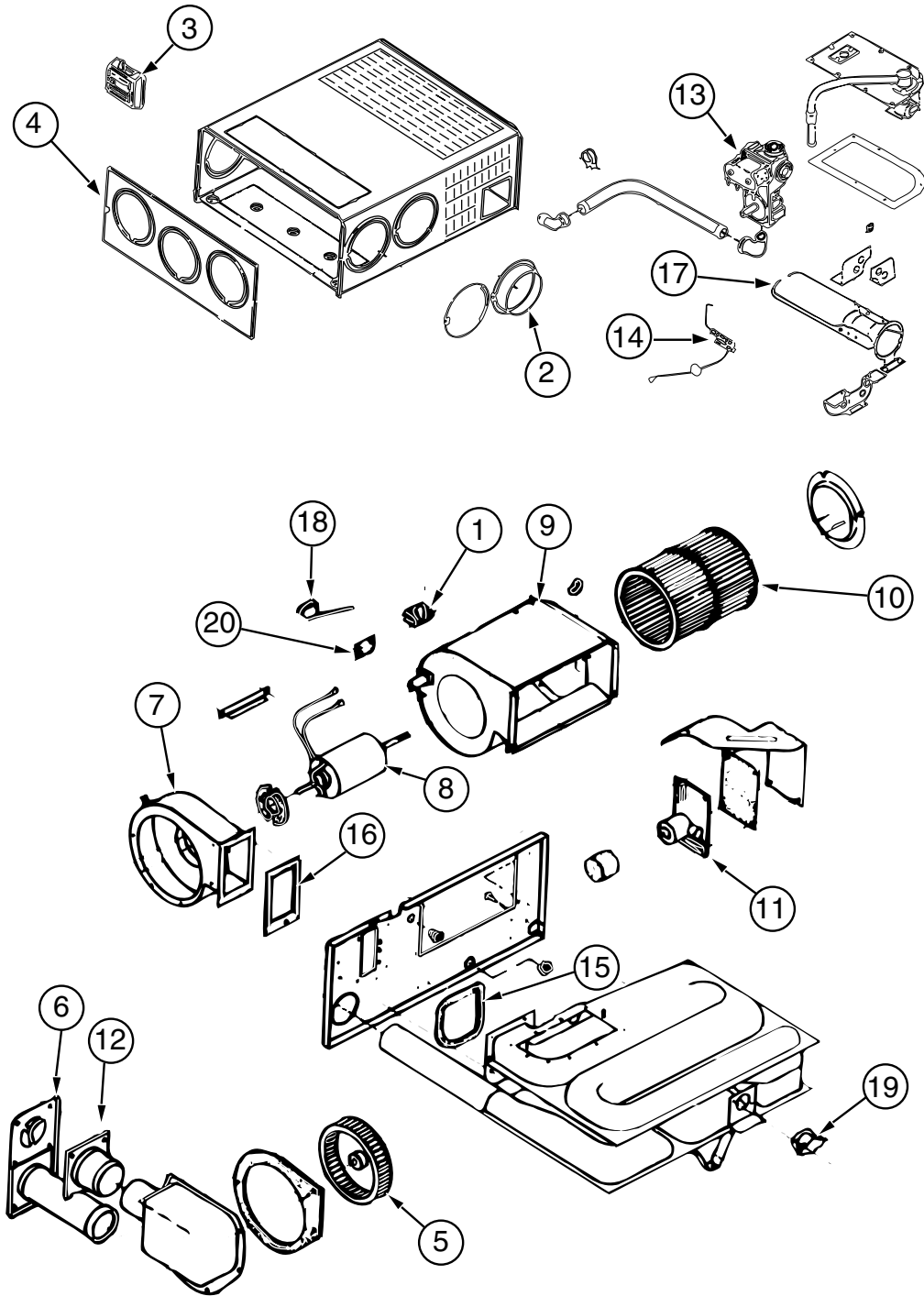
098668-19-000

**HEATING & A/C GROUP (CONTINUED)**  
**COMPONENT PARTS FOR FURNACE (CONTINUED)**

**098668-19-000 (CONTINUED)**

<b>KEY</b>	<b>PART NUMBER</b>	<b>U/M</b>	<b>DESCRIPTION</b>	<b>VENDOR NO.</b>
1	098668-01-700	EA	CABINET FRONT	101242
2	093365-01-000	EA	THERMOSTAT-FURNACE,SUBURBAN	REP'L BY 115764-01
3	098668-01-714	EA	VALVE-GAS,SF S.N. 921401821	161070
4	098668-01-703	EA	BURNER ASSEMBLY	10762
5	098668-01-715	EA	ELECTRODE ASM., SINGLE PROBE	232166
6	075696-02-703	EA	COLLAR-DUCT	50715
7	098668-01-711	EA	WHEEL-BLOWER, ROOM AIR	350129
8	098668-01-712	EA	BOARD-MODULE	520741
9	098668-21-701	EA	SWITCH - LIMIT	231799
10	098668-01-717	EA	GASKET-FIREWALL, BLOWER SIDE	70809
11	098668-01-706	EA	WHEEL-COMBUSTION AIR	350184
12	098668-01-713	EA	TUBE ASSEMBLY, INTAKE	51248
13	098668-01-707	EA	TUBE ASSEMBLY, EXHAUST W/CAP	260231
14	098668-01-716	EA	GASKET-FIREWALL,CHAMBER SIDE	70808
15	098668-01-709	EA	MOTOR ASM., F/SF-25, SF-30	231706
16	098668-01-708	EA	HOUSING-BLOWER, COMBUSTION	390441
17	101990-01-714	EA	GASKET-MICROSWITCH	230877
18	098668-21-700	EA	SWITCH-MICRO-W/O FLAG 3 1/4"	232261
19	074466-01-702	EA	RELAY, TIME DELAY	230625
20	098668-01-710	EA	HOUSING-BLOWER, ROOM AIR	390440
	090039-01-703	EA	ORIFICE-MAIN BURNER	180193
	098668-01-702	EA	ELECTRODE	231740

**HEATING & A/C GROUP (CONTINUED)**  
**COMPONENT PARTS FOR FURNACE (CONTINUED)**



098668-20-000

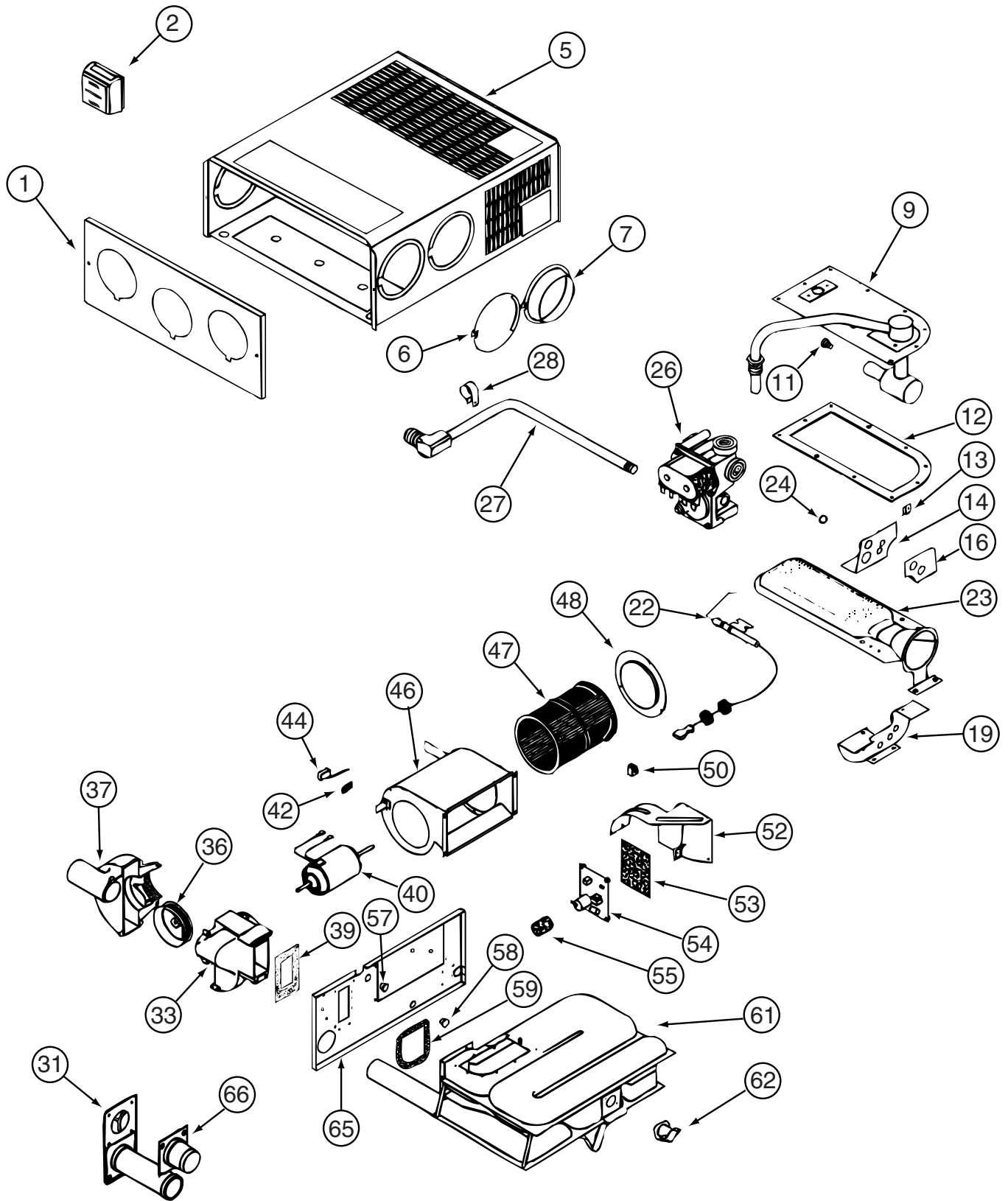
**HEATING & A/C GROUP (CONTINUED)**  
**COMPONENT PARTS FOR FURNACE (CONTINUED)**

**098668-20-000 (CONTINUED)**

<b>KEY</b>	<b>PART NUMBER</b>	<b>U/M</b>	<b>DESCRIPTION</b>	<b>VENDOR NO.</b>
1	074466-01-702	EA	RELAY, TIME DELAY	230625
2	075696-02-703	EA	COLLAR-DUCT	050715
	092300-02-701	EA	ORIFICE-MAIN BURNER (NT-30BW)	180214
4	098668-01-700	EA	CABINET FRONT	101242
5	098668-01-706	EA	WHEEL-COMBUSTION AIR	350184
6	098668-01-707	EA	TUBE ASSEMBLY, EXHAUST W/CAP	260231
7	098668-01-708	EA	HOUSING-BLOWER, COMBUSTION	390441
8	098668-01-709	EA	MOTOR ASM., F/SF-25, SF-30	231706
9	098668-01-710	EA	HOUSING-BLOWER, ROOM AIR	390440
10	098668-01-711	EA	WHEEL-BLOWER, ROOM AIR	350129
11	098668-01-712	EA	BOARD-MODULE	520741
12	098668-01-713	EA	TUBE ASSEMBLY, INTAKE	051248
13	098668-01-714	EA	VALVE-GAS,SF S.N. 921401821	161070
14	098668-01-715	EA	ELECTRODE ASM., SINGLE PROBE	232166
15	098668-01-716	EA	GASKET-FIREWALL,CHAMBER SIDE	070808
16	098668-01-717	EA	GASKET-FIREWALL, BLOWER SIDE	070809
17	098668-02-700	EA	BURNER ASSEMBLY,SF-30 & SF35	010745
18	098668-21-700	EA	SWITCH-MICRO-W/O FLAG 3 1/4"	232261
19	098668-21-701	EA	SWITCH - LIMIT	231799
20	101990-01-714	EA	GASKET-MICROSWITCH	230877



**HEATING & A/C GROUP (CONTINUED)**  
**COMPONENT PARTS FOR FURNACE (CONTINUED)**



139980-01-000

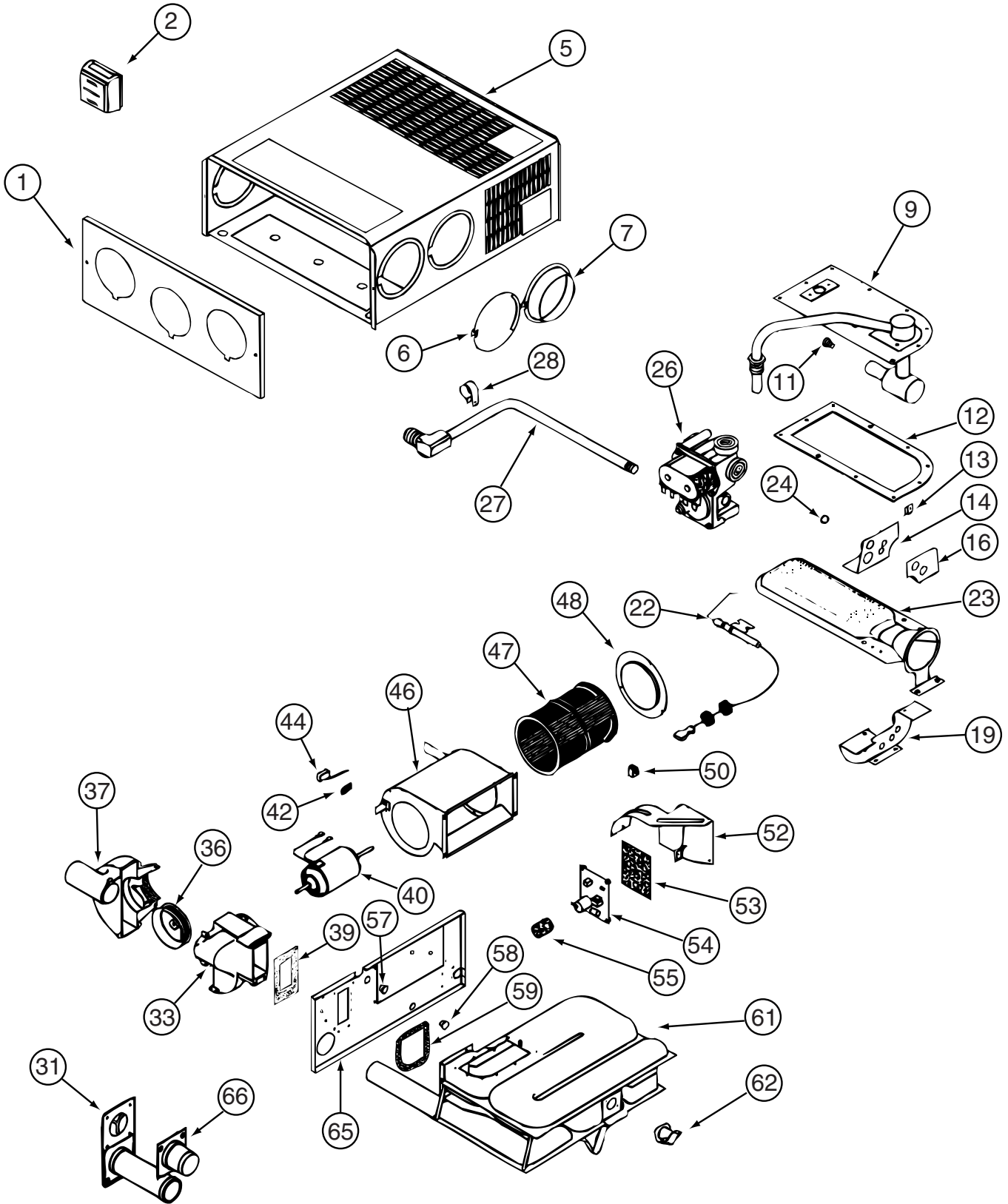
**HEATING & A/C GROUP (CONTINUED)**  
**COMPONENT PARTS FOR FURNACE (CONTINUED)**

139980-01-000 (CONTINUED)

KEY	PART NUMBER	U/M	DESCRIPTION	VENDOR NO.
9	139980-01-700	EA	MANIFOLD ASSEMBLY	171571
11	090039-01-703	EA	ORIFICE-MAIN BURNER	180193
12	098668-22-703	EA	GASKET - BURNER ACCESS COVER	070811
22	139980-01-701	EA	ELECTRODE	232286
23	098668-01-703	EA	BURNER ASSEMBLY	010762
26	098668-01-718	EA	VALVE-GAS SF S.N.974903079	161122
27	139980-01-702	EA	PIPE ASSEMBLY/GAS INLET	171574
31	098668-01-707	EA	TUBE ASSEMBLY, EXHAUST W/CAP	260231
33	139980-01-703	EA	HOUSING/COMB. - FRONT/HALF	390852
36	098668-01-706	EA	WHEEL-COMBUSTION AIR	350184
37	139980-01-704	EA	HOUSING/COMB. - REAR/HALF	390848
39	139980-01-705	EA	GASKET/FIREWALL-COMB AIR	071084
40	139980-01-706	EA	MOTOR ASSEMBLY W/GASKET	232682
42	101990-01-714	EA	GASKET-MICROSWITCH	230877
44	098668-21-700	EA	SWITCH-MICRO-W/O FLAG 3 1/4"	232261
46	139980-01-708	EA	BLOWER ASSEMBLY - ROOM AIR	390739BK
47	098668-01-711	EA	WHEEL-BLOWER, ROOM AIR	350129
48	139980-01-709	EA	ORFICE RING	390696
50	139980-01-710	EA	SWITCH - ON/OFF	232351
52	139980-01-711	EA	PANEL ASSEMBLY-MODULE BD	101663
53	139980-01-712	EA	INSULATOR - MODULE BD	070807
54	098668-22-705	EA	MODULE BD W/RELAY TIME DELAY	520820
55	139980-01-713	EA	CAP/INSULATOR-MODULE BD	070973
57	139980-01-714	EA	BUSHING - UNIVERSAL	070362
58	139980-01-715	EA	BUSHING - STRAIN RELIEF	231809
59	098668-01-716	EA	GASKET-FIREWALL,CHAMBER SIDE	070808
61	139980-01-716	EA	CHAMBER ASSEMBLY - FINAL	021149BK
62	098668-21-701	EA	SWITCH - LIMIT	232504
66	098668-01-713	EA	TUBE ASSEMBLY, INTAKE	051248

CONTACT WINNEBAGO PART SALES FOR UNLISTED COMPONENTS

**HEATING & A/C GROUP (CONTINUED)**  
**COMPONENT PARTS FOR FURNACE (CONTINUED)**



139980-02-000

**HEATING & A/C GROUP (CONTINUED)**  
**COMPONENT PARTS FOR FURNACE (CONTINUED)**

**139980-02-000 (CONTNUED)**

<b>KEY</b>	<b>PART NUMBER</b>	<b>U/M</b>	<b>DESCRIPTION</b>	<b>VENDOR NO.</b>
9	139980-01-700	EA	MANIFOLD ASSEMBLY	171571
11	092300-02-701	EA	ORIFICE-MAIN BURNER (NT-30BW	180214
12	098668-22-703	EA	GASKET - BURNER ACCESS COVER	070811
22	139980-01-701	EA	ELECTRODE	232286
23	098668-02-700	EA	BURNER ASSEMBLY,SF-30 & SF35	010745
26	098668-01-718	EA	VALVE-GAS SF S.N.974903079	161122
27	139980-01-702	EA	PIPE ASSEMBLY/GAS INLET	171574
31	098668-01-707	EA	TUBE ASSEMBLY, EXHAUST W/CAP	260231
33	139980-01-703	EA	COMBUSTION AIR HOUS FRT/HALF	390852
36	098668-01-706	EA	WHEEL-COMBUSTION AIR	350184
37	139980-01-704	EA	COMBUSTION AIR HOUS RR HALF	390848
39	139980-01-705	EA	GASKET/FIREWALL-COMB AIR	071084
40	139980-01-706	EA	MOTOR ASSEMBLY W/GASKET	232682
42	101990-01-714	EA	GASKET-MICROSWITCH	230877
44	098668-21-700	EA	SWITCH-MICRO-W/O FLAG 3 1/4"	232261
46	139980-01-708	EA	BLOWER ASSEMBLY - ROOM AIR	390739BK
47	098668-01-711	EA	WHEEL-BLOWER, ROOM AIR	350129
48	139980-01-709	EA	ORFICE RING	390696
50	139980-01-710	EA	SWITCH - ON/OFF	232351
52	139980-01-711	EA	PANEL ASSEMBLY-MODULE BD	101663
53	139980-01-712	EA	INSULATOR - MODULE BD	070807
54	098668-22-705	EA	MODULE BD W/RELAY TIME DELAY	520820
55	139980-01-713	EA	CAP/INSULATOR-MODULE BD	070973
57	139980-01-714	EA	BUSHING - UNIVERSAL	070362
58	139980-01-715	EA	BUSHING - STRAIN RELIEF	231809
59	098668-01-716	EA	GASKET-FIREWALL,CHAMBER SIDE	070808
61	139980-01-716	EA	CHAMBER ASSEMBLY - FINAL	021149BK
62	098668-21-701	EA	SWITCH - LIMIT	232504
66	098668-01-713	EA	TUBE ASSEMBLY, INTAKE	051248

CONTACT WINNEBAGO PART SALES FOR UNLISTED COMPONENTS

## HEATING & A/C GROUP (CONTINUED)

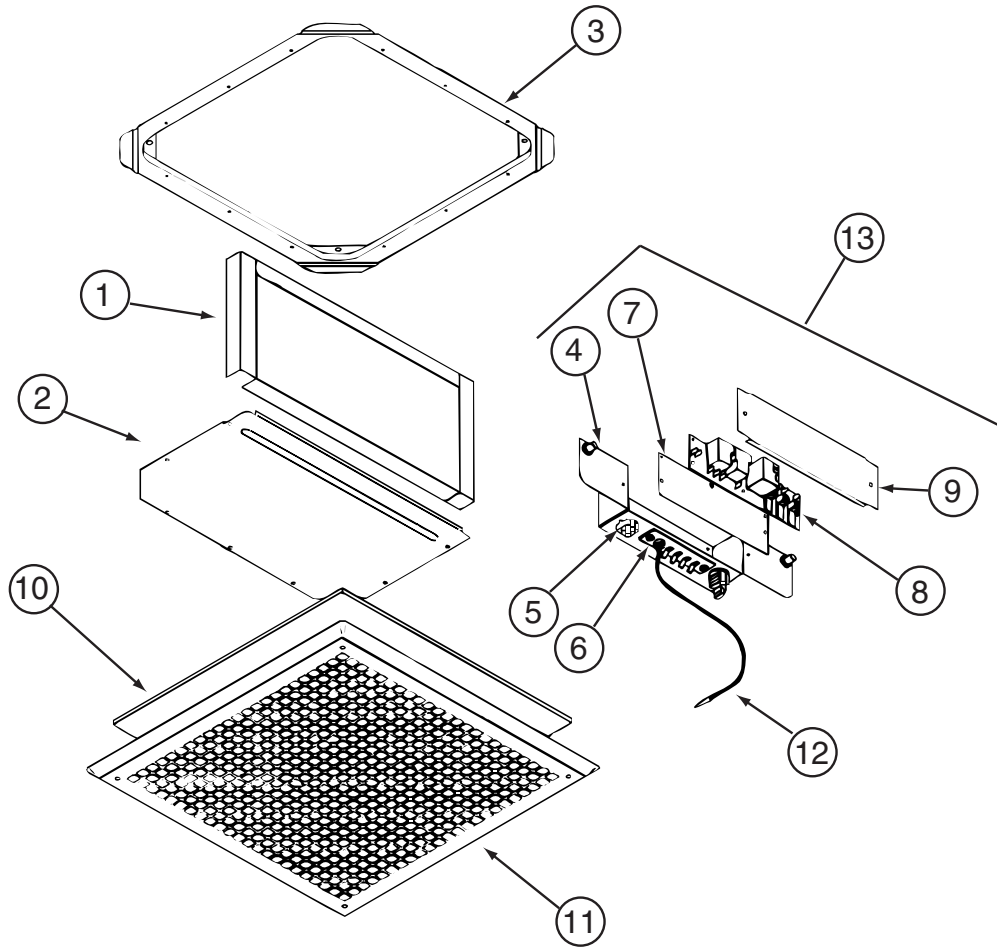
### ROOF

KEY	PART NUMBER	U/M	DESCRIPTION
*	131184-03-01A	EA	CEILING ASSEMBLY - A/C DUCTED - C-BODY - WHITE
*	131185-01-01A	EA	A/C ROOF - 13,500 BTU - WHITE - <a href="#">322E</a> , <a href="#">322R</a> , <a href="#">324F</a> , <a href="#">324V</a> , <a href="#">329N</a> FROM: 00-00-00 THRU: 12-30-01
*	131185-03-01A	EA	A/C - ROOF - 13,599 BTU - MACH 3 WHITE - <a href="#">322E</a> , <a href="#">322R</a> , <a href="#">324F</a> , <a href="#">324V</a> , <a href="#">329N</a> FROM: 12-31-01 THRU: 99-99-99
*	131188-01-01A	EA	A/C - ROOF - 14,800 MACH 15 - WHITE - <a href="#">329B</a> , <a href="#">331T</a> FROM: 00-00-00 THRU: 12-30-01
*	131188-03-01A	EA	A/C - ROOF - 14,800 MACH 15 - WHITE - <a href="#">329B</a> , <a href="#">331T</a> FROM: 12-31-01 THRU: 99-99-99
	120134-01-02A	EA	REGISTER - W/DAMPER - 4" PIPE/7" O.D. FACE - WHITE
	117238-01-01A	EA	THERMOSTAT - A/C - FURNACE FROM: 00-00-00 THRU: 04-17-01
	135618-03-01A	EA	THERMOSTAT - A/C & FURNACE - WHITE FROM: 04-18-01 THRU: 99-99-99

**\*COMPONENT PARTS LISTED LATER IN THIS GROUP**

## HEATING & A/C GROUP (CONTINUED)

### COMPONENT PARTS FOR ROOF

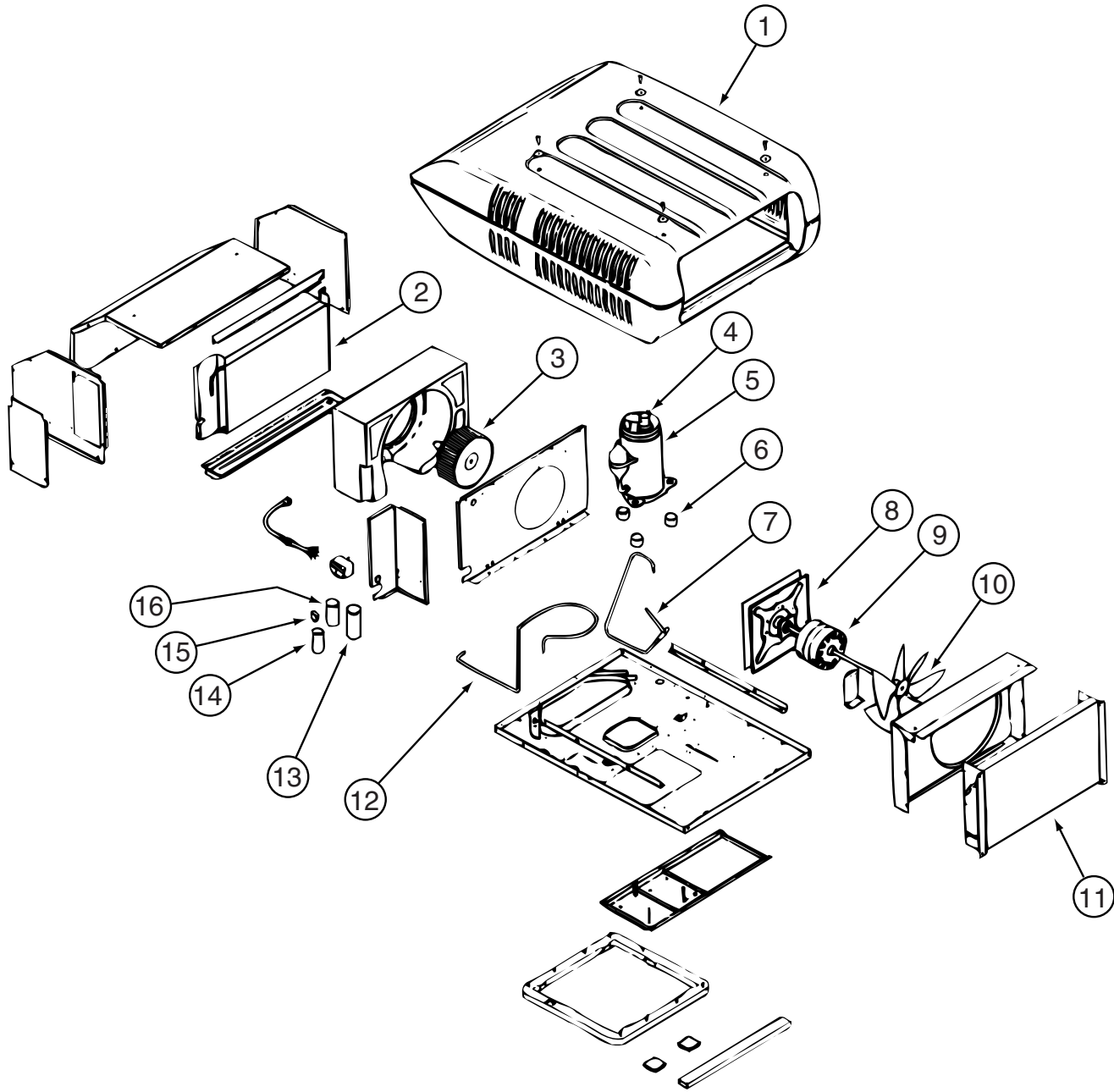


**131184-03-01A**

KEY	PART NUMBER	U/M	DESCRIPTION	VENDOR NO.
5	131184-01-700	EA	PLUG ASSEMBLY	7330A389
6	131184-01-701	EA	TERMINAL BOARD	7330B3201
7	131184-01-702	EA	ISOLATOR - BLANK	7330C365
8	131184-03-700	EA	BOARD - P.C.	7330D3211
10	108892-01-703	EA	FILTER	6798A3761
11	108892-01-704	EA	GRILLE 16 3/8X16 3/8 RETURN	6798-3041
12	131184-01-704	EA	COIL SENSOR	7330-6111
13	131184-01-705	EA	JUNCTION BOX ASSEMBLY	7330B5551
	131184-01-703	EA	SMALL PARTS PKG	8330-5961

CONTACT WINNEBAGO PART SALES FOR UNLISTED COMPONENT

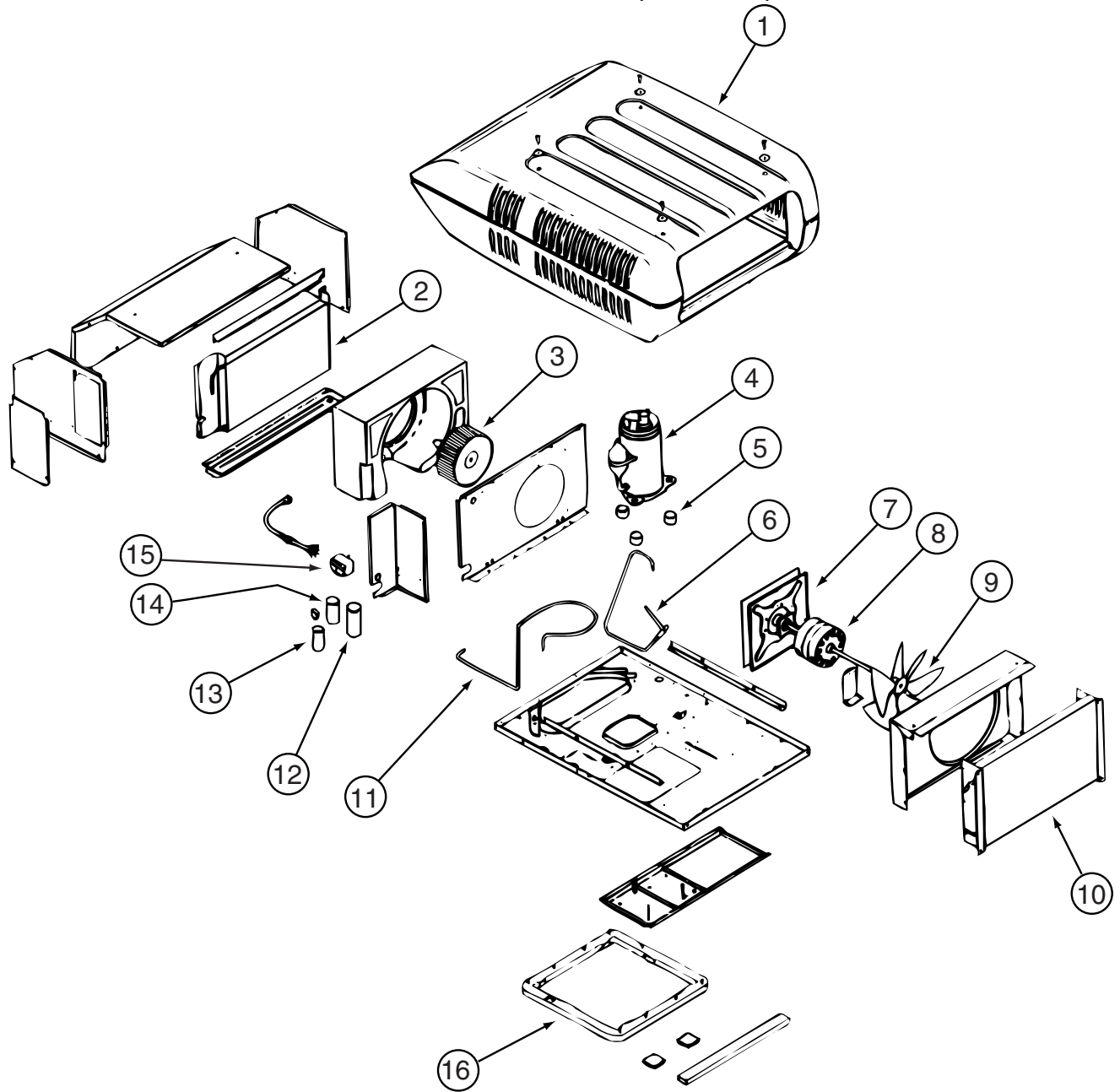
**HEATING & A/C GROUP (CONTINUED)**  
**COMPONENT PARTS FOR ROOF (CONTINUED)**



131185-01-01A

KEY	PART NUMBER	U/M	DESCRIPTION	VENDOR NO.
1	108889-05-700	EA	SHROUD-BRIGHT/WHT. W/O LOGO	7333-4601
2	131185-01-703	EA	EVAPORATOR COIL	1452A1491
3	131185-01-702	EA	BLOWER WHEEL PACKAGE	1472-1091
4	105620-01-705	EA	PROTECTOR-OVERLOAD, RH & LH	6759-3791
5	108889-01-722	EA	COMPRESSOR TSR3 C & D ONLY	1450-2099
6	105620-01-706	EA	MOUNTING PKG., COMP., 3 PER	6759-3081
7	131185-01-706	EA	DISCHARGE LINE	7333A136
8	131185-01-704	EA	MOTOR MOUNT & SEAL KIT	8333-5151
9	131185-01-701	EA	MOTOR (115V, 60HZ)	1468-3069
10	093763-01-712	EA	BLADE-FAN-CONDENSER	6733-3221
11	131185-01-700	EA	CONDENSER COIL	1452A1451
12	131185-01-705	EA	SUCTION LINE (3/8" OD)	6792B130
13	108889-01-707	EA	CAPACITOR-RUN, COMP-25MFD/3701	499-5661
14	105620-10-704	EA	START COMPACITOR	1497-0861
15	108889-01-708	EA	CAPACITOR-FAN, 7.5MFD. 370U	1499-5461
16	105620-10-705	EA	PTCR (START DEVICE) - W/CAP.	8333A9021
	093306-01-701	EA	DECAL PACKAGE, LEFT & RIGHT	6798B3591
	108889-01-710	EA	PAD-FILLER, CONDENSER SEAL	6759B3971

**HEATING & A/C GROUP (CONTINUED)**  
**COMPONENT PARTS FOR ROOF (CONTINUED)**

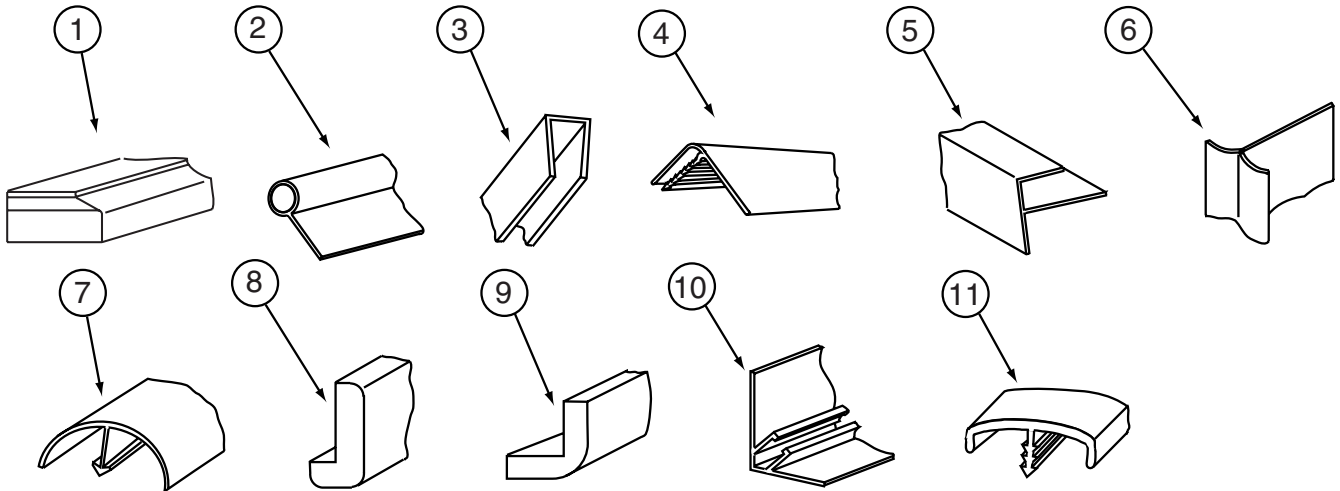


131188-01-01A

KEY	PART NUMBER	U/M	DESCRIPTION	VENDOR NO.
1	108889-05-700	EA	SHROUD-BRIGHT/WHT. W/O LOGO	7333-4601
2	131186-01-701	EA	EVAPORATOR COIL	1452-1521
3	131185-01-702	EA	BLOWER WHEEL PACKAGE	1472-1091
4	131188-01-700	EA	COMPRESSOR - TECUMSEH	1450A2609
5	105620-01-706	EA	MOUNTING PKG.,COMP., 3 PER	6759-3081
6	131188-01-703	EA	LINE - DISCHARGE	7335A135
7	131185-01-704	EA	MOTOR MOUNT & SEAL KIT	8333-5151
8	131185-01-701	EA	MOTOR (115V, 60HZ)	1468-3069
9	093763-01-712	EA	BLADE-FAN-CONDENSER	6733-3221
10	115219-01-700	EA	COIL-CONDENSER	1452A1321
11	131188-01-702	EA	LINE - SUCTION	7335A134
12	131188-01-701	EA	RUN CAP. (COMP-40MFD/370V)	1499-5721
13	126859-01-704	EA	CAPACITOR - START	1497-0871
14	108889-01-708	EA	CAPACITOR-FAN, 7.5MFD. 370U	1499-5461
15	091225-01-709	EA	RELAY-START	1497-4131
16	037648-01-714	EA	GASKET PACKAGE	8332-3301
	093306-01-701	EA	DECAL PACKAGE, LEFT & RIGHT	6798B3591
	108889-01-710	EA	PAD-FILLER, CONDENSER SEAL	6759B3971



**INTERIOR FINISH GROUP**  
**MOLDINGS & TRIMS**  
**PORTSMOUTH OAK**

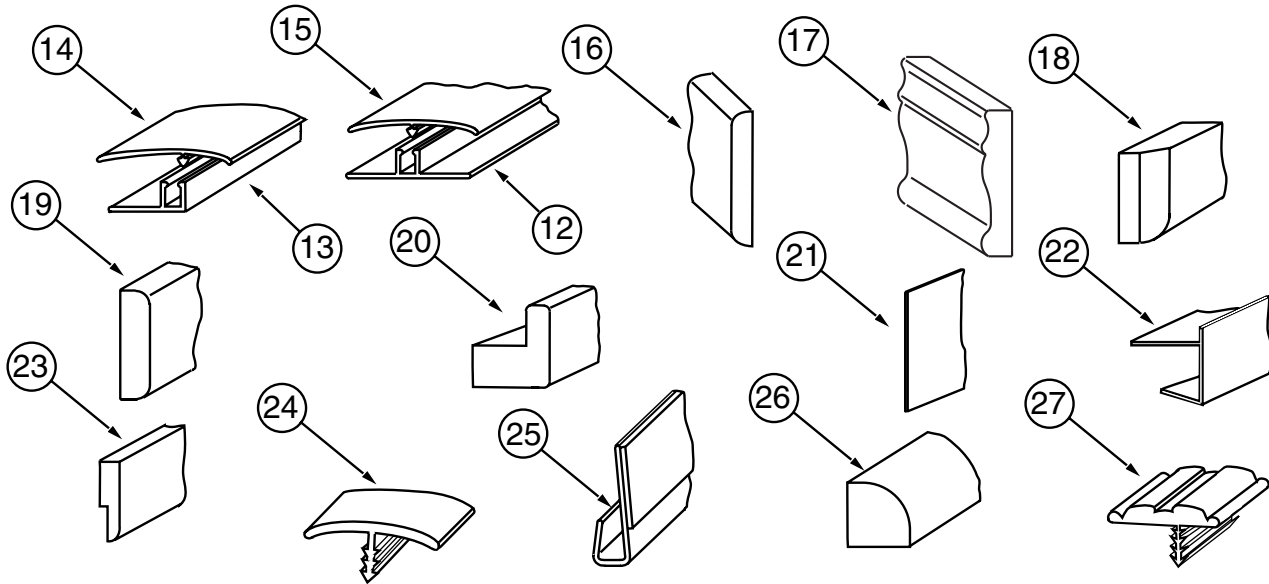


KEY	PART NUMBER	U/M	DESCRIPTION
1	P34052-01-N75	EA	TRIM/TABLE - 29.7" - PORTSMOUTH OAK
1	P34052-01-M84	EA	TRIM/TABLE - 29.7" - WASHED MAPLE
1	P34052-01-M52	EA	TRIM/TABLE - 29.7" - SALEM CHERRY
1	P34052-02-N47	EA	TRIM/TABLE - 24"
2	009767-12-000	FT	WELTING - ANTIQUE WHITE
2	009767-17-000	FT	WELTING - PORTSMOUTH OAK
3	009778-25-000	FT	U-CHANNEL - 1" - BEIGE ILLUSION
3	009778-27-000	FT	U-CHANNEL - 1" - WASHED MAPLE
3	009778-30-000	FT	U-CHANNEL - 1" - VILLAGE OAK
3	009778-31-000	FT	U-CHANNEL - 1" - GRADY BROWN
3	009778-32-000	FT	U-CHANNEL - 1" - PORTSMOUTH OAK
3	009778-34-000	FT	U-CHANNEL - 1" - CONCERT CHERRY
3	070504-36-000	FT	U-CHANNEL - PLASTIC - .13" X 96" - WATERFORD OAK
3	070504-42-000	FT	U-CHANNEL - PLASTIC - .13" X 84" - BEIGE ILLUSION
3	070504-50-000	FT	U-CHANNEL - PLASTIC - .13" X 96" - WASHED MAPLE
3	070504-51-000	FT	U-CHANNEL - PLASTIC - .9" X 96" - WASHED MAPLE
3	070504-54-000	FT	U-CHANNEL - PLASTIC - .9" X 96" - VILLAGE OAK
3	070504-56-000	FT	U-CHANNEL - PLASTIC - .8" X 72" - VW LIGHT GRAY
3	070504-57-000	FT	U-CHANNEL - PLASTIC - .6" X 84" - PORTSMOUTH OAK
3	070504-58-000	FT	U-CHANNEL - PLASTIC - .8" X 84" - PORTSMOUTH OAK
3	070504-60-000	FT	EXTRUSION-U CHANNEL,1.65 - CONCERT CHERRY
3	070504-61-000	FT	U-CHANNEL - PLASTIC - .8" X 84" - CONCERT CHERRY
4	009809-30-000	EA	MOLDING - CORNER - OUTSIDE - 1" X 84" - BEIGE ILLUSION
4	009809-31-000	EA	MOLDING - CORNER - OUTSIDE - 1" X 84" - WASHED MAPLE
4	009809-32-000	EA	MOLDING - CORNER - OUTSIDE - 1" X 84" - PORTSMOUTH OAK
4	009809-33-000	EA	MOLDING - CORNER - OUTSIDE - 1" X 84" - WORMY PECAN
5	009812-31-000	EA	MOLDING - CORNER - 1/2" W/1/4"CHAN X 84" - BEIGE ILLUSION
5	009812-33-000	EA	MOLDING - CORNER - 1/2" W/1/4"CHAN X 84" - WASHED MAPLE
5	009812-35-000	EA	MOLDING - CORNER - 1/2" W/1/4"CHAN X 84" - PORTSMOUTH OAK
5	009812-36-000	EA	MOLDING - CORNER - 1/2" W/1/4"CHAN X 84" - CONCERT CHERRY
6	022992-14-000	FT	MOLDING - REVERSE COVE - T-SHAPED - BRIGHT WHITE
6	022992-15-000	FT	MOLDING - REVERSE COVE - T-SHAPED - VW GRAY
7	042357-25-000	EA	MOLDING - CORNER - RADIUS/PLASTIC - WASHED MAPLE
7	042357-26-000	EA	MOLDING - CORNER - RADIUS/PLASTIC - PORTSMOUTH OAK
7	042357-27-000	EA	MOLDING - CORNER - RADIUS/PLASTIC - CONCERT CHERRY
8	077840-01-E41	EA	MOLDING - WALL CAP - 8' - SALEM CHERRY
8	077840-01-N30	EA	MOLDING - WALL CAP - 8' - PORTSMOUTH AOK
8	077840-01-M91	EA	MOLDING - WALL CAP - 8' - WASHED MAPLE
9	080176-08-000	EA	CAP - CORNER - RADIUS MOLDING - PLASTIC - WASHED MAPLE
10	081521-02-007	EA	MOUNT - METAL MOLDING - F/RADIUS CORNER MOLDING - 151.5"
11	083620-09-000	FT	MOLDING-T - W/EDGE LIP - 7/8" FACE - MODERN IVORY
11	083620-19-000	FT	MOLDING-T - W/EDGE LIP - 7/8" FACE - WASHED MAPLE
11	083620-20-000	FT	MOLDING-T - W/EDGE LIP - 7/8" FACE - PORTSMOUTH OAK
11	083620-21-000	FT	MOLDING-T - W/EDGE LIP - 7/8" FACE - CONCERT CHERRY
11	104676-02-08A	FT	MOLDING-T - W/EDGE LIP - 11/16" FACE - PORTSMOUTH OAK
11	104676-02-06A	FT	MOLDING-T - W/EDGE LIP - 11/16" FACE - WASHED MAPLE

# INTERIOR FINISH GROUP (CONTINUED)

## MOLDINGS & TRIMS (CONTINUED)

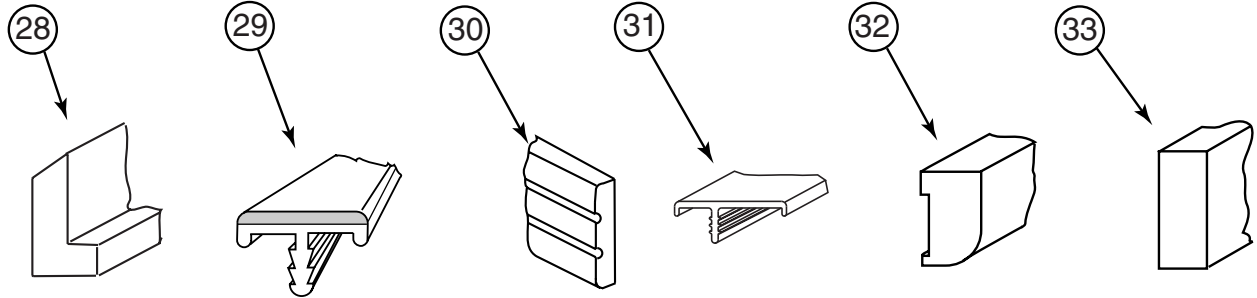
### PORTSMOUTH OAK



KEY	PART NUMBER	U/M	DESCRIPTION
12	086229-01-000	EA	RETAINER - BATTEN - .75" X 92.1" - ANY COLOR
13	086229-11-000	EA	RETAINER - OFFSET - 97"
14	086229-12-000	EA	BATTEN - 1.5" OFFSET X 97.01" IVORY
14	086229-21-000	EA	BATTEN - 1.5" X 83.9" OFFSET - WHITE
15	086229-13-000	EA	BATTEN - 1" X 96" - IVORY
15	086229-19-000	EA	BATTEN - 1" X 98.4" - OFF WHITE
15	086229-20-000	EA	BATTEN - 1" X 96" - BEIGE
16	091985-01-08A	FT	INSERT - TRIM - .65" WIDE - SOFT WHITE
17	100182-10-E41	EA	TRIM - CHAIR RAIL - 2.5" X 8' EACH - WOOD
17	100182-10-J70	EA	TRIM - CHAIR RAIL - 2.5" X 8' EACH - WOOD
17	100182-10-K29	EA	TRIM - CHAIR RAIL - 2.5" X 8' EACH - WOOD
17	100182-10-N47	EA	TRIM/RAIL
18	100659-27-M70	EA	MOLDING/TRIM - VINYL FLOOR - CHERRY III
18	100659-30-N75	EA	MOLDING - TRIM - PORTSMOUTH OAK
18	100659-30-N74	EA	MOLDING - TRIM - CHERRY
18	100659-30-M84	EA	MOLDING-TRIM,VINYL FLOOR - 01 G-SERIES GENERAL
19	100818-01-12A	EA	MOLDING - VINYL WRAPPED - 1.6" X .4" X 84"-PORTSMOUTH OAK
19	100818-01-10A	EA	MOLDING - VINYL WRAPPED - 1.6" X .4" X 84" - CHERRY
19	100818-01-08A	EA	MOLDING - VINYL WRAPPED - 1.6" X .4" X 84"-WASHED MAPLE
20	100819-01-08A	EA	MOLDING - VINYL WRAPPED-L-SHAPED-1.5"X1.5"X84"-WASHED MPL
20	100819-01-09A	EA	MOLDING - VINYL WRAPPED-L-SHAPED-1.5"X1.5"X84"-PRTSMTM OAK
20	100819-01-10A	EA	MOLDING - VINYL WRAPPED-L-SHAPED-1.5"X1.5"X84"-CNCRT CHERR
20	100819-01-12A	EA	MOLDING - VINYL WRAPPED-L-SHAPED - 1.5" X 1.5" X 84" - OAK
21	101957-01-06A	EA	EXTRUDED - PLASTIC - WASHED MAPLE
22	103186-01-10A	FT	MOLDING - PLASTIC - 3/8" U-CHANNEL-3/4"FACE-CONCERT CHERRY
22	103186-01-09A	FT	MOLDING - PLASTIC - 3/8" U-CHANNEL-3/4"FACE-PORTSMOUTH OAK
22	103186-01-07A	FT	MOLDING - PLASTIC - 3/8" U-CHANNEL-3/4"FACE - BEIGE ILLUS
22	103186-02-10A	FT	MOLDING - PLASTIC - 1" U-CHANNEL-1 3/8"FACE-CONCERT CHERRY
22	103186-02-09A	FT	MOLDING - PLASTIC - 1" U-CHANNEL-1 3/8"FACE-PORTSMOUTH OAK
22	103186-02-08A	FT	MOLDING - PLASTIC - 1" U-CHANNEL-1 3/8"FACE-WASHED MAPLE
22	103186-02-07A	FT	MOLDING - PLASTIC - 1" U-CHANNEL-1 3/8"FACE-BEIGE ILLUSION
23	105004-01-10A	EA	MOLDING - VINYL WRAPPED 1" X 96" - SALEM CHERRY
23	105004-01-08A	EA	MOLDING - VINYL WRAPPED - 1" X 96" - WASHED MAPLE
23	105004-01-10A	EA	MOLDING - VINYL WRAPPED 1" X 96" - SALEM CHERRY
23	105004-01-12A	EA	MOLDING - VINYL WRAPPED 1" X 96" - PORTSMOUTH OAK
24	009815-10-000	FT	MOLDING-T - WEDGE LIP - 3/4" FACE - BEIGE ILLUSION
24	105709-02-000	FT	MOLDING-T - WEDGE LIP - 3/4" FACE - BEIGE ILLUSION
25	109332-02-01A	FT	TRIM-J - W/O ADHESIVE - BRASS
26	109410-01-J70	EA	MOLDING - TRIM - 8' - WHITE MAPLE/WASHED MAPLE
26	109410-01-E41	EA	MOLDING - TRIM - 8' - BLACK CHERRY/SALEM CHERRY
26	109410-01-N75	EA	MOLDING - TRIM - 8' - PORTSMOUTH OAK/PORTSMOUTH OAK
27	109736-02-01A	FT	MOLDING-T/OFFSET - WEDGE LIP - 1" FACE - NAT OAK/BRASS

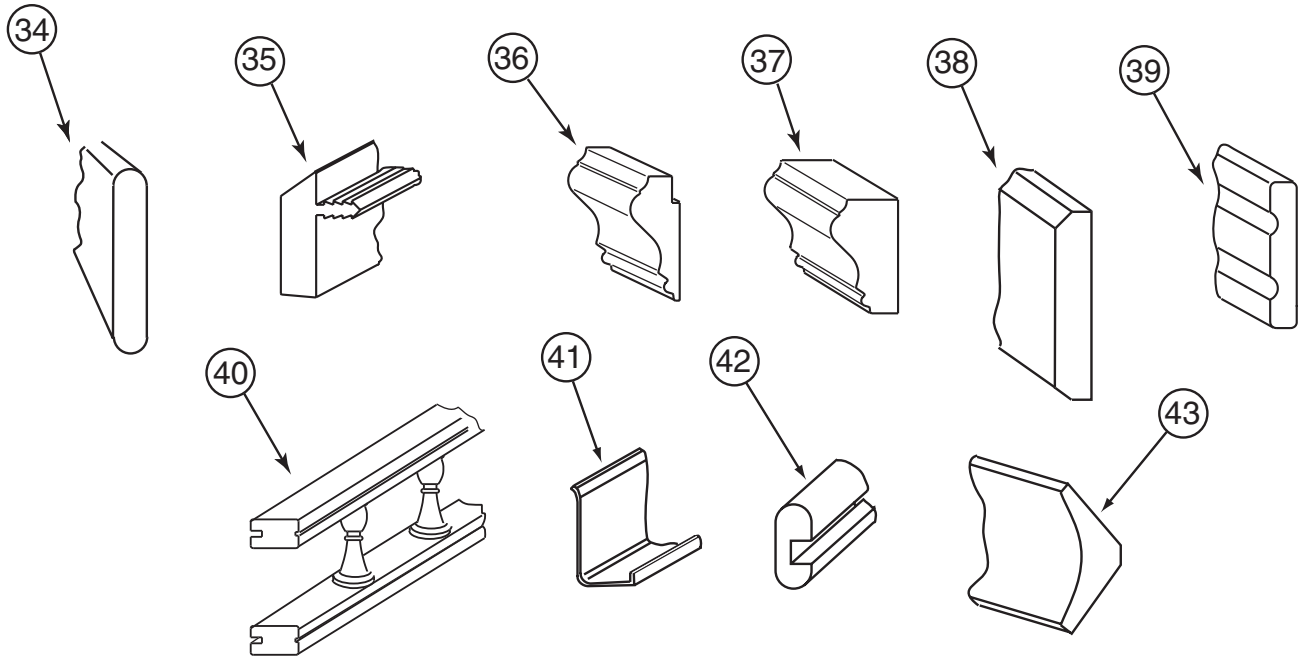
**INTERIOR FINISH GROUP (CONTINUED)**  
**MOLDINGS & TRIMS (CONTINUED)**

**PORTSMOUTH OAK**



KEY	PART NUMBER	U/M	DESCRIPTION
28	111235-01-E74	EA	MOLDING - COUNTERTOP - 1.4" X 8' - BLACK CHERRY-UNSTAINED - SALEM CHERRY
28	111235-01-N42	EA	MOLDING - COUNTERTOP - 1.4" X 8' - PORTSMOUTH
28	111235-01-H56	EA	MOLDING - COUNTERTOP - 1.4" X 8' - WHITE MAPLE - UNSTAINED - WASHED MAPLE
29	113757-02-01A	FT	T-MOLDING - BULB
30	116951-15-N09	EA	MOLDING - TRIM - 1.7" X 11" - PORTSMOUTH OAK
30	116951-15-K09	EA	MOLDING - TRIM - 1.7" X 11" - WASHED MAPLE
30	116951-15-K13	EA	MOLDING - TRIM - 1.7" X 11" - SALEM CHERRY
31	119520-01-01A	FT	MOLDING-T/OFFSET - W/EDGE LIP - 1"FACE - OFF WHITE
31	119520-02-01A	FT	MOLDING-T/OFFSET - W/EDGE LIP - 1"FACE
32	126204-D2-134	EA	MOLDING - VINYL WRAPPED - .7" X 1.6" X 84" - WASHED MAPLE
32	126204-F2-134	EA	MOLDING - VINYL WRAPPED - .7" X 2.5" X 84" - WASHED MAPLE
32	126204-F2-438	EA	MOLDING - VINYL WRAPPED - .7" X 2.6" X 96" - WASHED MAPLE
32	137895-D2-134	EA	MOLDING - VINYL WRAPPED - .7" X 1.6" X 84" - PORTSMOUTH OAK
32	137895-F2-743	EA	MOLDING-018X063X2743 MM - PORTSMOUTH OAK
33	126205-D2-438	EA	LUMBER - VINYL WRAPPED - .7" X 1.5" X 96" - WASHED MAPLE
33	126205-E2-438	EA	LUMBER - VINYL WRAPPED - .7" X 2" X 96" - WASHED MAPLE
33	126205-F2-438	EA	LUMBER - VINYL WRAPPED - .7" X 2.5" X 96" - WASHED MAPLE
33	126205-G2-438	EA	LUMBER - STAINED - .7" X 3" X 96" - WASHED MAPLE
33	126205-J2-438	EA	LUMBER - VINYL WRAPPED - .7" X 5.5" X 96" - WASHED MAPLE
33	136030-F2-743	EA	MOLDING-018X065X2743MM PAPER WRAPPED-CHERRY - SALEM CHERRY FROM: 00-00-00 THRU: 09-03-01
33	136045-D2-438	EA	LUMBER - PAPER WRAPPED - .7" X 1.5" X 96" - CHERRY FROM: 00-00-00 THRU: 09-03-01
33	136045-E2-438	EA	LUMBER - PAPER WRAPPED - .7" X 2" X 96" - CHERRY FROM: 00-00-00 THRU: 09-03-01
33	136045-F2-438	EA	LUMBER - PAPER WRAPPED - .7" X 2.6" X 96" - CHERRY FROM: 00-00-00 THRU: 09-03-01
33	136045-G2-438	EA	LUMBER - PAPER WRAPPED - .7" X 3" X 96" - CHERRY FROM: 00-00-00 THRU: 09-03-01
33	136045-H2-438	EA	LUMBER - PAPER WRAPPED - .7" X 3.5" X 96" - CHERRY FROM: 00-00-00 THRU: 09-03-01
33	136045-J2-438	EA	LUMBER - PAPER WRAPPED - .7" X 5.5" X 96" - CHERRY FROM: 00-00-00 THRU: 09-03-01
33	136045-R2-438	EA	LUMBER - PAPER WRAPPED - .7" X 3" X 96" - CHERRY FROM: 00-00-00 THRU: 09-03-01
33	137894-A2-438	EA	LUMBER - VINYL WRAPPED - .7" X .75" X 96" - PORTSMOUTH OAK
33	137894-D2-022	EA	LUMBER-018X038X2022 MM - WRAPPED - PORTSMOUTH OAK
33	137894-D2-014	EA	LUMBER-018X038X2014 MM - WRAPPED - PORTSMOUTH OAK
33	137894-D2-001	EA	LUMBER-018X038X2000 MM - WRAPPED - PORTSMOUTH OAK
33	137894-D2-438	EA	LUMBER - VINYL WRAPPED - .7" X 1.5" X 96" - PORTSMOUTH OAK
33	137894-D2-134	EA	LUMBER-018X038X2134 MM - WRAPPED - PORTSMOUTH OAK
33	137894-D2-026	EA	LUMBER-018X038X2026 MM - WRAPPED - PORTSMOUTH OAK
33	137894-D2-024	EA	LUMBER-018X038X2024 MM - WRAPPED - PORTSMOUTH OAK
33	137894-E2-438	EA	LUMBER - VINYL WRAPPED - .7" X 2" X 96" - PORTSMOUTH OAK
33	137894-F2-438	EA	LUMBER - VINYL WRAPPED - .7" X 2.5" X 96" - PORTSMOUTH OAK
33	137894-G2-438	EA	LUMBER - VINYL WRAPPED - .7" X 3" X 96" - PORTSMOUTH OAK
33	137894-H2-438	EA	LUMBER - VINYL WRAPPED - .7" X 3.5" X 96" - PORTSMOUTH OAK
33	137894-J2-438	EA	LUMBER - VINYL WRAPPED - .7" X 5.5" X 96" - PORTSMOUTH OAK
33	137894-J2-743	EA	LUMBER-018X140X2743 MM - PORTSMOUTH OAK
33	137894-R2-438	EA	LUMBER - VINYL WRAPPED - .7" X 3" X 96" - PORTSMOUTH OAK

**INTERIOR FINISH GROUP (CONTINUED)**  
**MOLDINGS & TRIMS (CONTINUED)**  
**PORTSMOUTH OAK**



KEY	PART NUMBER	U/M	DESCRIPTION
34	127842-01-01A	FT	SEAL - SIGHT SHIELD - 2" BLACK
35	130247-01-05A	FT	MOLDING-T/OFF SET - 1.3" FACE - CONCERT CHERRY - SALEM CHERRY
35	130247-01-04A	FT	MOLDING-T/OFF SET - 1.3" FACE - PORTSMOUTH OAK
35	130247-01-02A	FT	MOLDING-T/OFF SET - 1.3" FACE - WASHED MAPLE
36	131923-02-02A	FT	MOLDING - PICTURE - CHERRY - SALEM CHERRY
36	131923-02-03A	FT	MOLDING - PICTURE - HARD WHITE MAPLE - WASHED MAPLE
36	131923-02-04A	FT	MOLDING - PICTURE - 42.8" - PORTSMOUTH
37	131923-03-02A	FT	MOLDING - CROWN - DIVIDER - CHERRY - SALEM CHERRY
37	131923-03-03A	FT	MOLDING - CROWN - DIVIDER - HARD WHITE MAPLE - WASHED MAPLE
37	131923-03-04A	FT	MOLDING - MOLDING - CROWN - DIVIDER - OAK - PORTSMOUTH
38	132647-01-05A	EA	MOLDING/TRIM - DASH - PORTSMOUTH OAK
39	134156-01-03A	EA	MOLDING - VINYL WRAP - .7" X 3.8" X 33.8" - WASHED MAPLE
39	134156-01-05A	EA	MOLDING - PAPER WRAP - .7" X 3.8" X 33.8" - CONCERT CHERRY - SALEM CHERRY FROM: 00-00-00 THRU: 09-03-01
39	134156-01-07A	EA	MOLDING - VINYL WRAP - .7" X 3.8" X 33.8" - CONCERT CHERRY - SALEM CHERRY FROM: 09-04-01 THRU: 00-00-00
39	134156-01-08A	EA	MOLDING - VINYL WRAP - .7" X 3.8" X 33.8" - PORTSMOUTH OAK
39	134156-03-03A	EA	MOLDING - VINYL WRAP - .7" X 3.4" X 28.3" - WASHED MAPLE
39	134156-03-05A	EA	MOLDING - PAPER WRAP - .7" X 3.4" X 28.3" - CONCERT CHERRY - SALEM CHERRY FROM: 00-00-00 THRU: 09-03-01
39	134156-03-07A	EA	MOLDING - VINYL WRAP - .7" X 3.4" X 28.3" - CONCERT CHERRY - SALEM CHERRY FROM: 09-04-01 THRU: 00-00-00
39	134156-03-08A	EA	MOLDING - VINYL WRAP - .7" X 3.4" X 28.3" - PORTSMOUTH OAK
39	134156-05-05A	EA	MOLDING - PAPER WRAP - .7" X 3.8" X 34.4" - SALEM CHERRY FROM: 00-00-00 THRU: 09-03-01
39	134156-05-07A	EA	MOLDING - VINYL WRAP - .7" X 3.8" X 34.4" - CONCERT CHERRY - SALEM CHERRY FROM: 09-04-01 THRU: 00-00-00
39	134156-05-08A	EA	MOLDING - VINYL WRAP - .7" X 3.8" X 33.8" - PORTSMOUTH OAK
40	137108-01-07A	EA	RAIL - DECORATIVE - PORTSMOUTH OAK
40	137108-01-03A	EA	RAIL - DECORATIVE - WASHED MAPLE
40	137108-01-02A	EA	RAIL - DECORATIVE - SALEM CHERRY
41	085746-04-000	EA	TRIM-J - CARPET 1.2" X .5" ANGLE - 10' LONG - OFF WHITE
42	M09412-62-M52	EA	MOLDING/SHELF EDGE - W/.4" NOTCH - CHERRY IV
42	M09412-62-M62	EA	MOLDING/SHELF EDGE - W/.4" NOTCH - WASHED MAPLE
42	M09412-62-N42	EA	MOLDING/SHELF EDGE - W/.4" NOTCH - PORTSMOUTH II
43	Y00074-22-438	EA	MOLDING/CROWN - VINYL WRAPPED - MAPLE - 96"
43	Y00074-62-438	EA	MOLDING/CROWN - VINYL WRAPPED - CONCERT CHERRY - 96"
43	Y00074-72-438	EA	MOLDING/CROWN - VINYL WRAPPED - PORTSMOUTH OAK - 96"

## INTERIOR FINISH GROUP (CONTINUED)

### PANELING & LAMINATES

KEY	PART NUMBER	U/M	DESCRIPTION
	088272-J6-000	SF	PANELING - CIRRUS - 4' X 7' (N01)
	088272-K3-000	SF	PANELING - STARLIGHT - 4' X 7' (N02)
	088272-J9-000	SF	PANELING - ALABASTER - 4' X 7' (N03)
	074497-41-000	SF	PANELING - CEILING/IMPACT PEARL - 4' X 9'
	088272-H9-000	SF	PANELING - PEBBLE EMBOSSED - WHITE - 4' X 7'
	074497-42-000	SF	PANELING - PORTSMOUTH OAK - 4' X 8'
	080215-14-000	SF	PANELING - 2 SIDED - 3/16" X 4' X 8' - PORTSMOUTH OAK
	088263-G6-000	EA	BATT STRIP - DECORATIVE - CIRRUS - 8' (N01)
	088263-H1-000	EA	BATT STRIP - DECORATIVE - STARLIGHT - 8' LONG (N02)
	088263-G9-000	EA	BATT STRIP - DECORATIVE - CORK/ALABASTER - 8' (N03)
	088263-F9-000	EA	BATT STRIP - CEILING - IMPACT PEARL - 9'
	088263-G1-000	EA	BATT STRIP - DECORATIVE - PEBBLE EMBOSSED - 8' LONG
	069733-87-000	EA	BATT STRIP - WOODGRAINED/PORTSMOUTH OAK - 8'
	085284-G5-000	FT	BATT TAPE - ADHESIVE BACKED - DECORATIVE - CIRRUS (N01)
	085284-H4-000	FT	BATT TAPE - ADHESIVE BACKED - DECORATIVE - STARLIGHT (N02)
	085284-G9-000	FT	BATT TAPE - ADHESIVE BACKED - DECORATIVE - ALABASTER (N03)
	085284-F6-000	FT	BATT TAPE - ADHESIVE BACKED-IMPACT PEARL-W/FLEECE EMBOSSED
	085284-F9-000	FT	BATT TAPE - ADHESIVE BACKED - PEBBLE EMBOSSED
	085284-G8-000	FT	BATT TAPE - ADHESIVE BACKED - PORTSMOUTH OAK
	085284-D6-000	FT	BATT TAPE - ADHESIVE BACKED - EMBOSSED ANTIQUE
	074498-97-000	SF	LAMINATE - PLASTIC - GRAY TRANQUILITY - 4' X 8' (N01, N02)
	074498-84-000	SF	LAMINATE - PLASTIC - WHITE TALC - 4' X 8' (N03)
	074498-95-000	SF	LAMINATE - PLASTIC - PORTSMOUTH OAK 4' X 8'
	076325-39-000	FT	MOLDING - EDGE BAND - 1 5/16" X .030" - ALMOND
	076325-40-000	FT	MOLDING - EDGE BAND - .93" X .024" - ALMOND
	076325-77-000	FT	MOLDING - EDGE BAND - 1 5/16" X .030" - PORTSMOUTH
	132610-01-02A	FT	WALLPAPER - BORDER - 5 1/8" - SELF-ADHESIVE (N01)
			FROM: 00-00-00 THRU: 09-23-01
	132610-06-06A	FT	WALLPAPER - BORDER - 5 1/4" - SELF-ADHESIVE (N01)
			FROM: 09-24-01 THRU: 99-99-99
	132610-02-07A	FT	WALLPAPER - BORDER - 5 1/4" - SELF-ADHESIVE (N02)
	132610-06-12A	FT	WALLPAPER - BORDER - 5 1/4" - SELF-ADHESIVE (N03)
	126339-01-000	SF	BOARD - WHEAT - 60" X 72"
	000846-01-000	SF	PLYWOOD - 5/16" X 48" X 96" - CD GRADE
	000846-02-000	SF	PLYWOOD/UNDERLAYMENT - 5/16" X 48" X 96"
	000885-92-000	SF	PARTICLE BOARD-3/8" X 4' X 8'-PORTSMOUTH OAK-VINYL 1 SIDED
	000885-93-000	SF	PARTICLE BOARD - 3/8" X 4' X 8' - PORTSMOUTH OAK - 2-SIDED
	000885-94-000	SF	PARTICLE BOARD - 1/2" X 4' X 8' - PORTSMOUTH OAK - 2-SIDED
	000885-95-000	SF	PARTICLE BOARD - 3/4" X 4' X 8' - PORTSMOUTH OAK - 2-SIDED
	000885-A5-000	SF	PARTICLE BOARD - 3/8" X 4' X 8'- WHT PEB EMBOSSED-1 SIDED
	057882-04-000	SF	TAMBOUR - 48" X 96" SHEET - UNFINISHED

## INTERIOR FINISH GROUP (CONTINUED)

### ACCESSORIES

KEY	PART NUMBER	U/M	DESCRIPTION
	072852-01-000	EA	DETECTOR - SMOKE - W/9 VOLT BATTERY - US
	072852-02-000	EA	DETECTOR - SMOKE - W/9 VOLT BATTERY - CANADIAN
*	094499-02-000	EA	EXTINGUISHER/FIRE - DRY - 10BC - W/GAUGE - CANADIAN
	094499-03-000	EA	EXTINGUISHER/FIRE - DRY - 10BC - W/GAUGE - W/O BRACKET
	094499-04-000	EA	STRAP - FIRE EXTINGUISHER MOUNTING - METAL
	125136-02-000	EA	CO DETECTOR - GAS MODEL - 9 VOLT
	064781-06-000	EA	HOLDER/CUP - TWO STEP - OFF WHITE
	118718-01-01A	EA	HOLDER/DRINK - COLLAPSIBLE MUG - BLACK PLASTIC
	118718-01-02A	EA	HOLDER/DRINK - COLLAPSIBLE MUG - WHITE PLASTIC
	096764-02-000	FT	SLIPNOT - ANTISLIP - 1'WIDE (180' ROLLS) - WHITE
	091261-01-000	FT	SLIPNOT - ANTISLIP - 1' WIDE X 12' - BLACK
	053552-02-N01	EA	HANDLE - ASSIST - INTERIOR/ENTRY DOOR - VINYL/OFF WHITE
	069178-03-000	EA	BRACKET/MOUNTING - ASSIST HANDLE - BRIGHT WHITE
	000C16-07-16B	EA	BOLT - CARRIAGE - ASSIST HANDLE - 7/16-14 X 1
	000D20-07-00B	EA	NUT - ACORN - ASSIST HANDLE - 7/16 - 14
	058331-A3-000	EA	MIRROR - SAFETY GLASS - 13.4" X 44.7"
	058331-J8-000	EA	MIRROR - SAFETY GLASS - 20.9" X 25.2"
	058331-01-000	EA	MIRROR - SAFETY GLASS - 19" X 26"
			FROM: 00-00-00 THRU: 03-17-02
	140374-01-000	EA	MIRROR - SAFETY GLASS - 18.9" X 26"
			FROM: 03-18-02 THRU: 99-99-99
	058331-14-000	EA	MIRROR - SAFETY GLASS - 13.9" X 17"
	058331-17-000	EA	MIRROR - SAFETY GLASS - 8.75" X 12.5"
			FROM: 00-00-00 THRU: 09-19-01
	140374-12-000	EA	MIRROR - SAFETY GLASS - 12.3" X 42.1"
			FROM: 09-20-01 THRU: 99-99-99
	058331-85-000	EA	MIRROR - SAFETY GLASS - 20.8" X 35.4"
	093606-03-000	EA	MIRROR - BEVELED EDGE - 28.3" X 15.1"
	093606-19-000	EA	MIRROR - BEVELED EDGE - 19.7" X 19.7"
	131494-05-01A	EA	MIRROR - ARCHED W/BEVELED DIAMOND - 20" X 30"

\*COMPONENT PARTS LISTED LATER IN THIS GROUP

**INTERIOR FINISH GROUP (CONTINUED)**  
**COMPONENT PARTS FOR ACCESSORIES**

094499-02-000

<b>KEY</b>	<b>PART NUMBER</b>	<b>U/M</b>	<b>DESCRIPTION</b>	<b>VENDOR NO</b>
	094499-01-700	EA	BRACKET MTG. W/PLAS. STRAP	294039

## INTERIOR FINISH GROUP (CONTINUED)

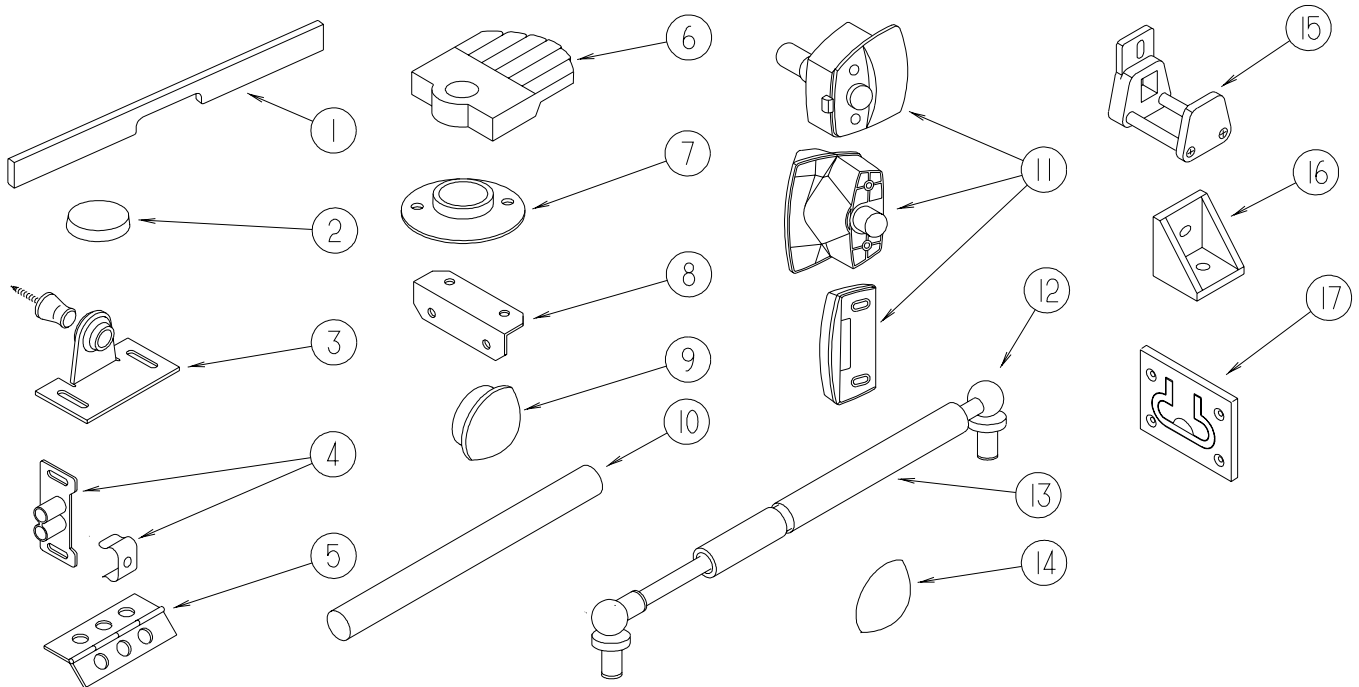
### FLOOR COVERINGS

KEY	PART NUMBER	U/M	DESCRIPTION
	096060-H0-000	SY	CARPET - JADE GREEN - INCREMENTS OF 4 SY YD (N01)
	096060-E6-000	SY	CARPET - OASIS - PEWTER BLUE - INCREMENTS OF 4 SY YD (N02)
	096060-H1-000	SY	CARPET - TAPIOCA - INCREMENTS OF 4 SY YD (N03)
	093486-01-000	SY	CARPET - COMPARTMENT - 72" WIDE - DARK GRAY
			FROM: 00-00-00 THRU: 08-19-01
	093486-02-000	SY	CARPET - COMPARTMENT - 72" WIDE - LIGHT GRAY
			FROM: 08-20-01 THRU: 99-99-99
	042720-29-000	SY	VINYL - FLOOR COVERING - 7.5' WIDE - DIAMOND
	129778-01-01A	EA	LINER - STEP - BRIGHT WHITE - <a href="#">322E</a>
	129778-02-01A	EA	LINER - STEP - BRIGHT WHITE - <a href="#">322R</a> , <a href="#">324V</a>
	P29778-01-01A	EA	LINER - STEP - BRIGHT WHITE W/TAPE - <a href="#">322E</a>
	P29778-02-01A	EA	LINER - STEP - BRIGHT WHITE W/TAPE - <a href="#">322R</a> , <a href="#">324V</a>



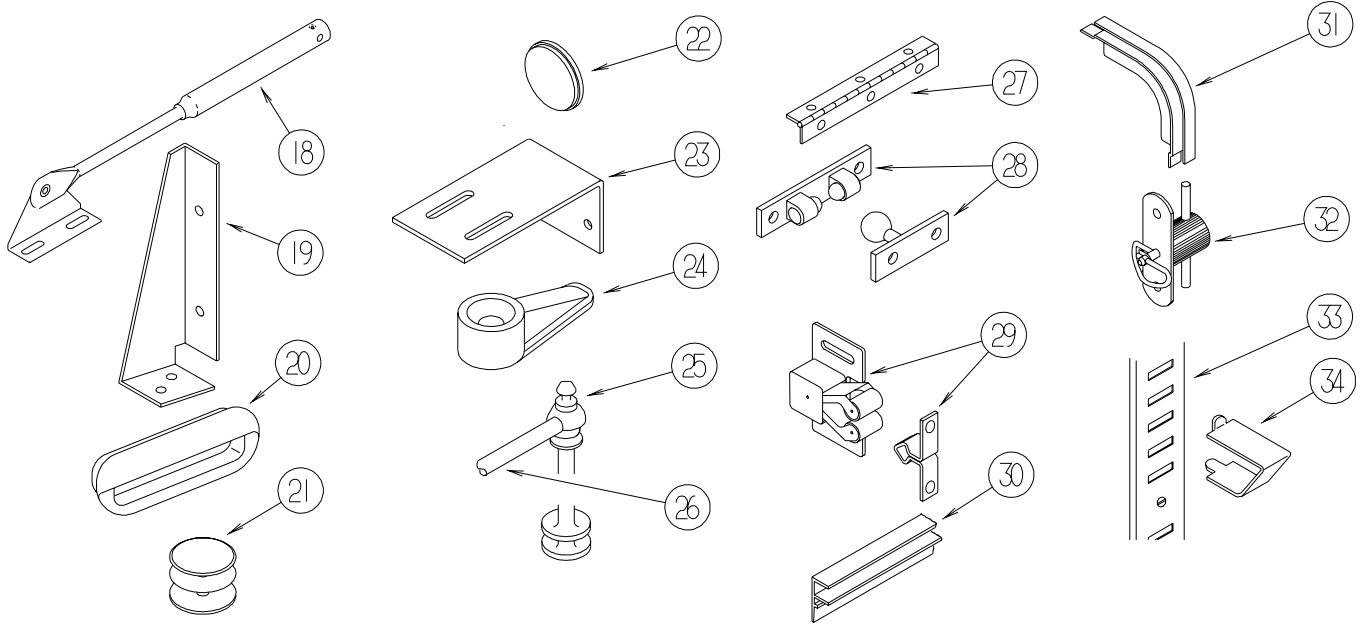
## INTERIOR FINISH GROUP (CONTINUED)

### HARDWARE



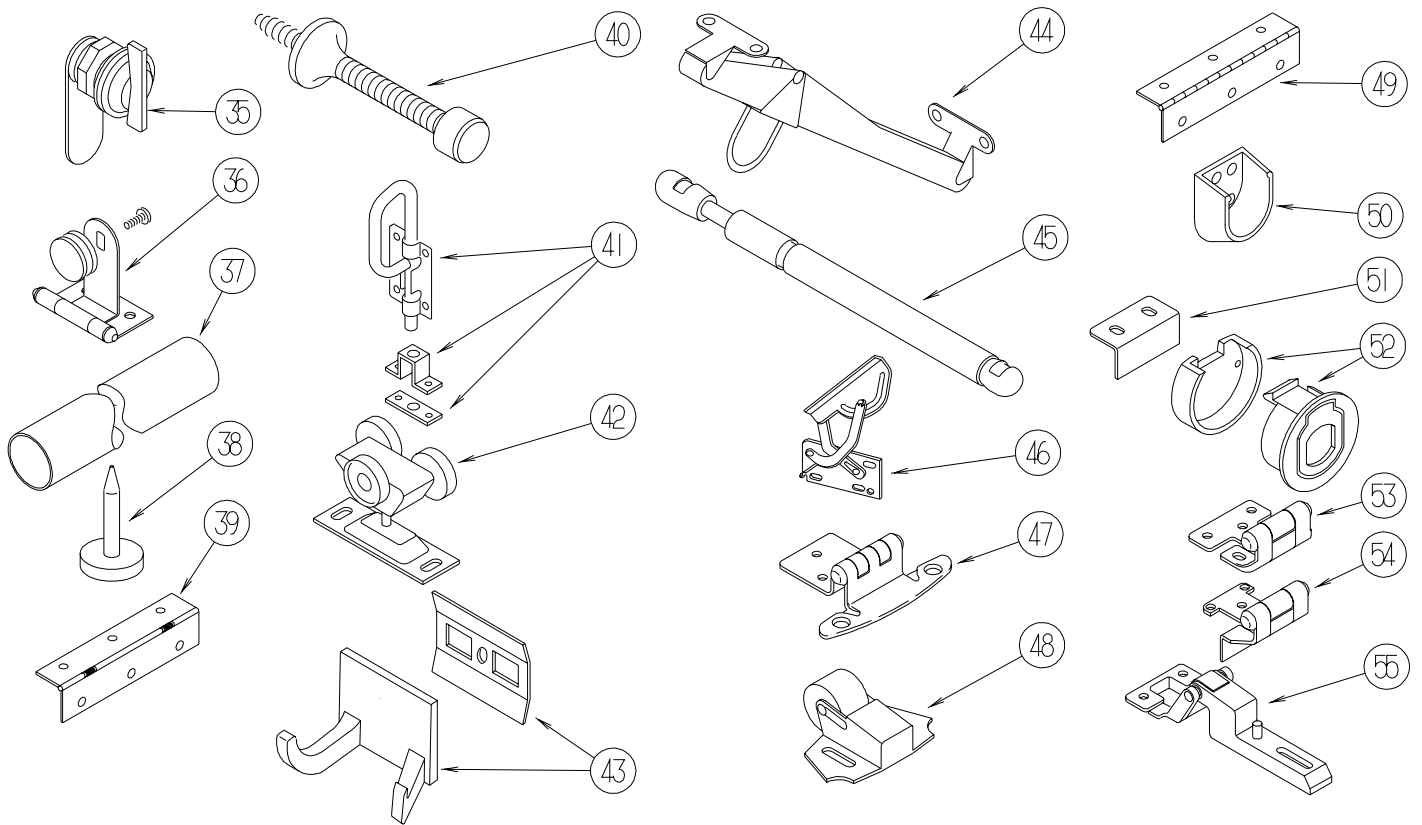
KEY	PART NUMBER	U/M	DESCRIPTION
1	P26866-09-KQ1	EA	HANDLE - DOOR/TAMBOUR - 14.7" - CHERRY/CHERRY III
1	P26866-10-K09	EA	HANDLE - DOOR/TAMBOUR - 11.6" - MAPLE/WASHED MAPLE
1	P26866-10-M07	EA	HANDLE - DOOR/TAMBOUR - 11.6" - ASH/PORTSMOUTH OAK - PORTSMOUTH OAK
2	004354-01-000	EA	BUMPER - RUBBER - .5" DIA - BROWN
2	023320-01-000	EA	PAD - FELT 3/8" DIAMETER
3	009013-01-000	EA	CATCH - BULLDOG - MALE/FEMALE
4	009021-01-000	EA	CATCH - GRILLE - NYLON
4	009021-02-000	EA	STRIKE - SPRING STEEL - .68"
5	009059-01-000	EA	HINGE - DOOR - 2" X 1.4" - BRASS
5	009059-02-000	EA	HINGE - DOOR - 2" X 2.7" - BRASS
5	009059-03-000	EA	HINGE - BRASS - 1.75"
5	041389-25-000	EA	HINGE - PIANO - 1 1/2" X 55" - UNPAINTED
6	009089-01-000	EA	CLIP - MIRROR
7	009112-01-000	EA	FLANGE - PLASTIC - 1" CLOTHES ROD - OFF WHITE
8	016604-01-000	EA	BRACE - ANGLE - 2 1/2" - UNPAINTED METAL
8	016604-05-000	EA	BRACE - ANGLE - 2 1/2" - OFF WHITE METAL
8	016604-07-000	EA	BRACE - ANGLE - 2 1/2" - VW GRAY
8	016604-09-000	EA	BRACE - ANGLE - VW LIGHT GRAY
9	042356-01-000	EA	PLUG - MAHOGANY - 3/8" DOWEL X 1/2" HEAD
9	074045-08-000	EA	PLUG - OAK - 3/8" DOWEL-1/2" HEAD - SALEM CHERRY
9	074045-12-000	EA	PLUG - OAK - 3/8" DOWEL-1/2" HEAD - WASHED MAPLE
9	074045-13-000	EA	PLUG - OAK - 3/8" DOWEL-1/2" HEAD - PORTSMOUTH OAK
10	042438-01-000	EA	DOWEL - WOOD - CLOTHES ROD - 1" X 4'
10	042438-02-000	EA	DOWEL - WOOD - CLOTHES ROD - 2" X 2'
10	042438-06-000	EA	DOWEL - WOOD - 1.5" X 26"
11	058335-03-000	EA	LATCH W/O LOCK - BATHROOM DOOR BLACK - <a href="#">RIALTA, 200-SERIES</a>
12	057460-02-000	EA	BALL STUD - F/GAS SPRING .39" - 5/16"-18
13	057460-04-000	EA	SPRING/GAS - BALL STUD STYLE - 120 PI - "SPD6209"
14	057671-01-000	EA	COVER - SCREW - OFF WHITE - #8
14	057671-13-000	EA	COVER - SCREW - DARK GRAY - #8
14	057671-15-000	EA	COVER - SCREW - #8 - BRIGHT WHITE
14	057671-16-000	EA	COVER - SCREW - #8 - SOFT WHITE
14	057671-17-000	EA	COVER - SCREW - VW LT GRAY - #8
15	064467-01-000	EA	GUIDE - POCKET - SLIDING DOOR - WALL MOUNTED
16	065740-01-000	EA	BRACE - CABINET/CORNER - PLASTIC
17	072871-01-000	EA	PULL - FLUSH - CHROME - <a href="#">RIALTA, 200-SERIES</a>

**INTERIOR FINISH GROUP (CONTINUED)**  
**HARDWARE (CONTINUED)**



KEY	PART NUMBER	U/M	DESCRIPTION
18	074493-02-000	EA	SUPPORT - PISTON SPRING - CABINET DOOR - 26 LBS
18	074493-03-000	EA	SUPPORT - PISTON SPRING - CABINET DOOR - 12 LBS
18	074493-04-000	EA	SUPPORT - PISTON SPRING - CABINET DOOR - 32 LBS
19	076827-02-000	EA	BRACKET/LEG - 2.9" X 1.8" - TRIANGULAR - LEFT/E-COATED
20	080736-01-000	EA	PULL - RECESSED - 1.25" X 4" - OAK
21	081114-02-000	EA	CAP - INSERT - ROUND - 1" DIAMETER - WHITE PLASTIC
22	081914-01-000	EA	BUMPER - RUBBER - ROUND - 1/2" DIA. X 1/8" THICK
22	120760-01-000	EA	RUBBER BUMPER - CLEAR - .1" THICK X .8" DIAMETER
23	083125-07-000	EA	BRACE - ANGLE/COUCH - 2.5" - OFF WHITE
23	132871-02-02B	EA	BRACKET/L-ANGLE W/HOLES - 1.9" X 2.8" - E-COATED
24	083204-03-000	EA	BUTTON - RETAINING MIRROR 5/16" TIP
25	084070-03-000	EA	POST - END - 2.4" - SHINY BRASS
26	084071-05-000	EA	ROD - BRASS - 15"
26	084071-08-000	EA	ROD - BRASS - 9.3"
26	084071-19-000	EA	ROD - BRASS - 7.1"
26	084071-20-000	EA	ROD - BRASS - 9.8"
26	084071-23-000	EA	ROD - BRASS - 13.1"
26	084071-24-000	EA	ROD - BRASS - 3.8"
26	084071-28-000	EA	ROD - BRASS - 6"
26	084071-30-000	EA	ROD - BRASS - 11.6"
26	084071-31-000	EA	ROD - BRASS - 14.8"
26	084071-33-000	EA	ROD - BRASS - 20.4"
27	084413-01-000	EA	HINGE - 1" X 72" - ALUMINUM - W/HOLES
27	084625-07-000	EA	HINGE - ALUMINUM - W/HOLES - 13" - OFF/WHITE
27	084625-11-000	EA	HINGE - ALUMINUM - W/HOLES - 22" - OFF/WHITE
27	114278-02-000	EA	HINGE - CONTINUOUS - 3" WIDE
28	084451-01-000	EA	CATCH & LATCH - 1.7" - BRASS
29	093586-03-000	EA	CATCH - SPRING ROLLER - .377"
29	093586-04-000	EA	STRIKE - SPRING STEEL - 1.14"
29	093586-05-000	EA	STRIKE - SPRING STEEL - .943"
29	093586-06-000	EA	CATCH - SPRING ROLLER - .236"
30	093622-01-000	EA	TRACK - DOOR - TAMBOUR - PLASTIC - 8' LENGTHS
31	093623-01-000	EA	CORNER - TRACK - TAMBOUR DOOR
32	098196-01-000	EA	LATCH - 1/4 TURN - T-BAR
33	098979-01-000	EA	CLIP - ADJUSTABLE SHELF
34	098980-01-000	EA	PILASTER - ADJUSTABLE SHELF - 18"
34	098980-02-000	EA	PILASTER - ADJUSTABLE SHELF - 12"
34	098980-03-000	EA	PILASTER - ADJUSTABLE SHELF - 9"
34	098980-04-000	EA	PILASTER - ADJUSTABLE SHELF - 48"
34	098980-05-000	EA	PILASTER - ADJUSTABLE SHELF - 15"
34	098980-06-000	EA	PILASTER - ADJUSTABLE SHELF - 24"

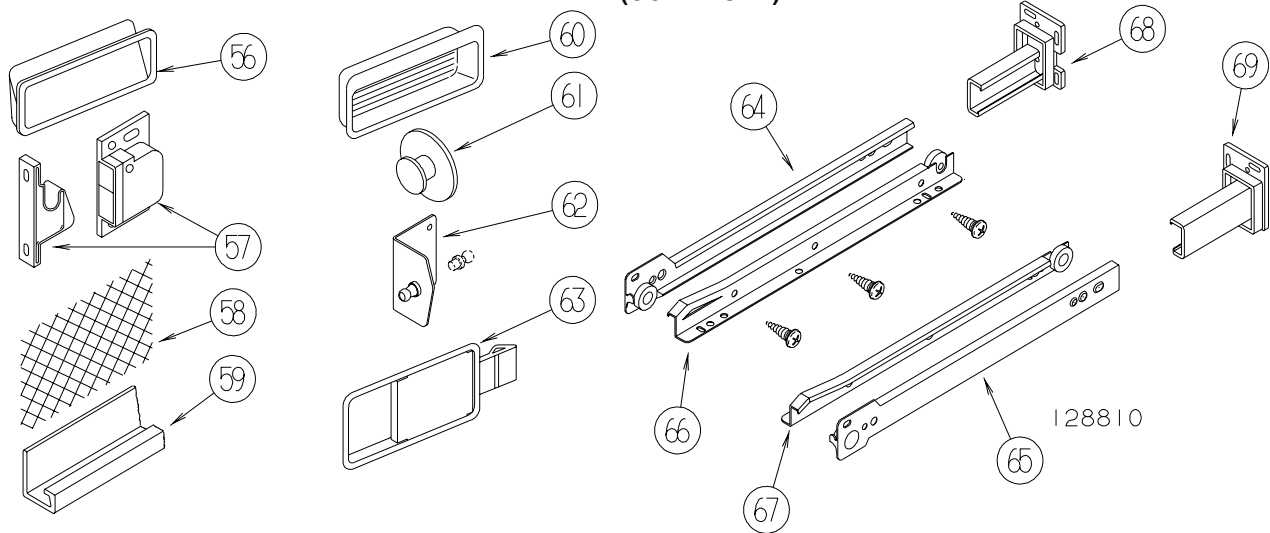
**INTERIOR FINISH GROUP (CONTINUED)**  
**HARDWARE (CONTINUED)**



KEY	PART NUMBER	U/M	DESCRIPTION
35	100710-01-01A	EA	LOCK - GLASS DOOR/TWIST TYPE - BRASS
36	100711-01-01A	EA	HINGE - GLASS DOOR
37	102075-06-02A	EA	ROD - SHOWER CURTAIN - 1" OD X 33.5" - SOFT WHITE
37	102075-09-02A	EA	ROD - SHOWER CURTAIN - 3/4"OD X 29.5" - SOFT WHITE
37	102075-16-02A	EA	ROD - SHOWER CURTAIN - 3/4"OD X 34.2" - SOFT WHITE
37	102075-18-02A	EA	ROD - SHOWER CURTAIN - 1" OD X 38.9" - SOFT WHITE
38	102194-01-000	EA	GUIDE - PLASTIC - 1" (HEAD/PIN)
39	102920-01-01A	EA	HINGE - SPRING LOADED - BRASS
40	103194-01-000	EA	STOP - BATH DOOR
41	103256-01-000	EA	LATCH COMPLETE (SLIDE)
42	103874-01-000	EA	HANGER - SLIDING DOOR
43	104174-01-000	EA	HOOK - ROBE - DOUBLE
44	104181-01-01A	EA	SUPPORT - LEAF 5.3" EXTENDS TO 7.5" - SAFETY RING - METAL
45	107796-05-000	EA	BRACKET - SUPPORT - GAS SPRING TO BED - FLAT (LOWER)
45	107796-06-000	EA	SPRING/GAS - 12" COMPRESSED/20" EXTENDED - 120 LB.
45	107796-08-000	EA	SPRING/GAS - 11" COMPRESSED/17" EXTENDED - 60 LB
45	107796-09-000	EA	SPRING/GAS - 5.5" COMPRESSED/7.5" EXTENDED - 40 LB.
45	107796-15-000	EA	SPRING/GAS - 24" COMPRESSED/40" EXTENDED - 15 LB.
45	107796-16-000	EA	SPRING/GAS - 6.4" COMPRESSED/9.6" EXTENDED - 65 LB.
46	108126-01-000	EA	TRAY HINGE SET (QTY. 2 PER SET)
47	107327-01-000	EA	HINGE - BURNISHED BRASS - SPRING SELF CLOSING - <b>WHEN CATCH &amp; STRIKE ARE NOT USED</b>
47	108138-01-000	EA	HINGE - CABINET DOOR - BURNISHED BRASS - <b>ULTIMATE ADVANTAGE &amp; FREEDOM, Q-SERIES</b>
47	108138-03-000	EA	HINGE - BRIGHT BRASS
48	109403-01-000	EA	CATCH - SINGLE ROLLER - SCREEN DOOR
49	110496-01-01A	EA	HINGE - BRASS
50	113236-01-01A	EA	BRACKET - CLOTHES - ROD
51	113375-02-01A	EA	STRIKE - DOOR - CHROME - <b>RIALTA, 200-SERIES</b>
52	113375-05-01A	EA	LATCH - SLAM - BACK - .8" THICK - <b>RIALTA, 200-SERIES</b>
52	113375-06-01A	EA	LATCH - SLAM - FACE - .7" THICK - <b>RIALTA, 200-SERIES</b>
53	113676-01-01A	EA	HINGE - OVERLAY - VARIABLE - BURNISHED BRASS - <b>RIALTA, 200-SERIES</b>
54	113677-01-01A	EA	HINGE - SELF CLOSING - <b>RIALTA, 200-SERIES</b>
55	114443-01-01A	EA	HINGE - CABINET DOOR

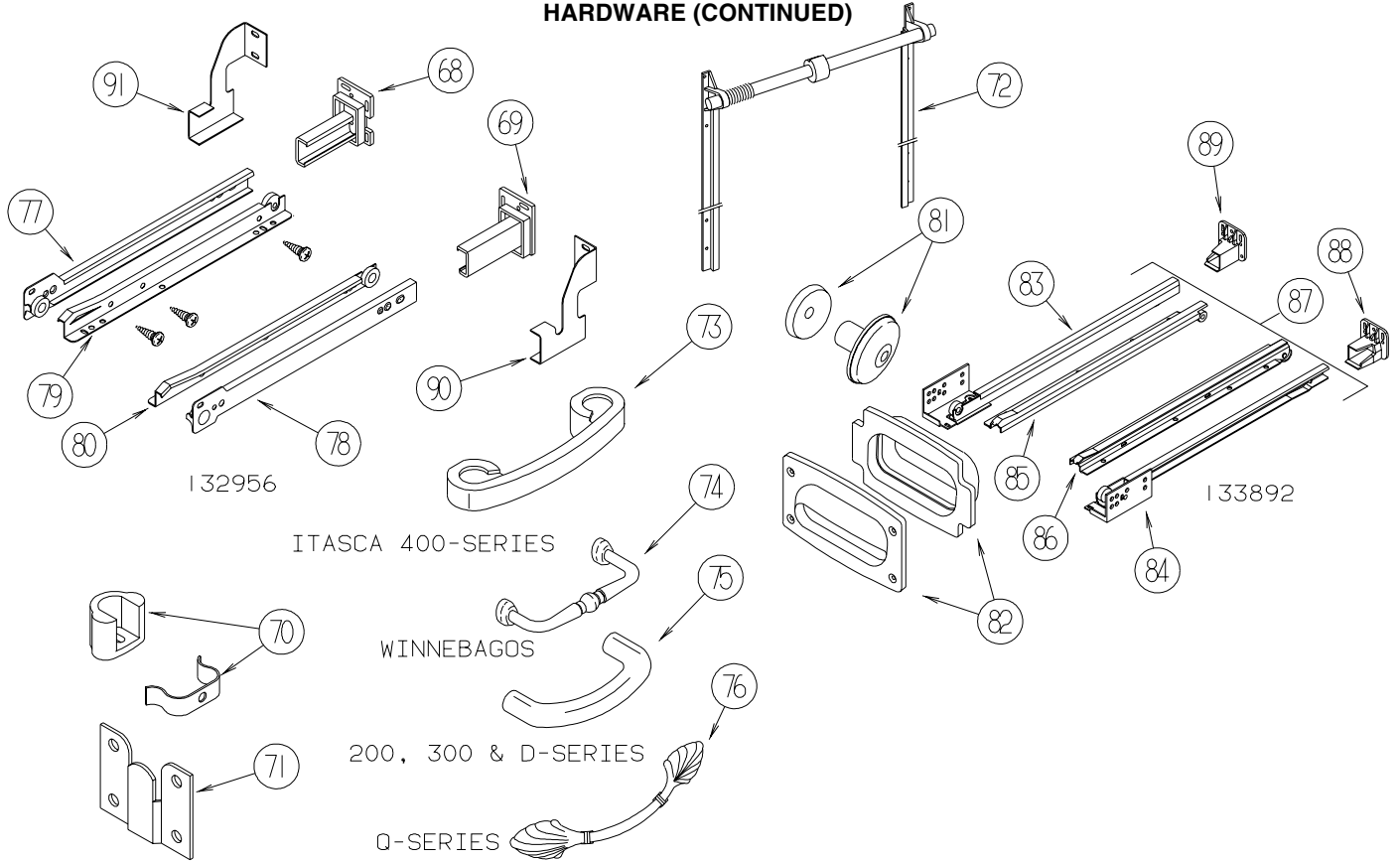
## INTERIOR FINISH GROUP (CONTINUED)

### HARDWARE (CONTINUED)



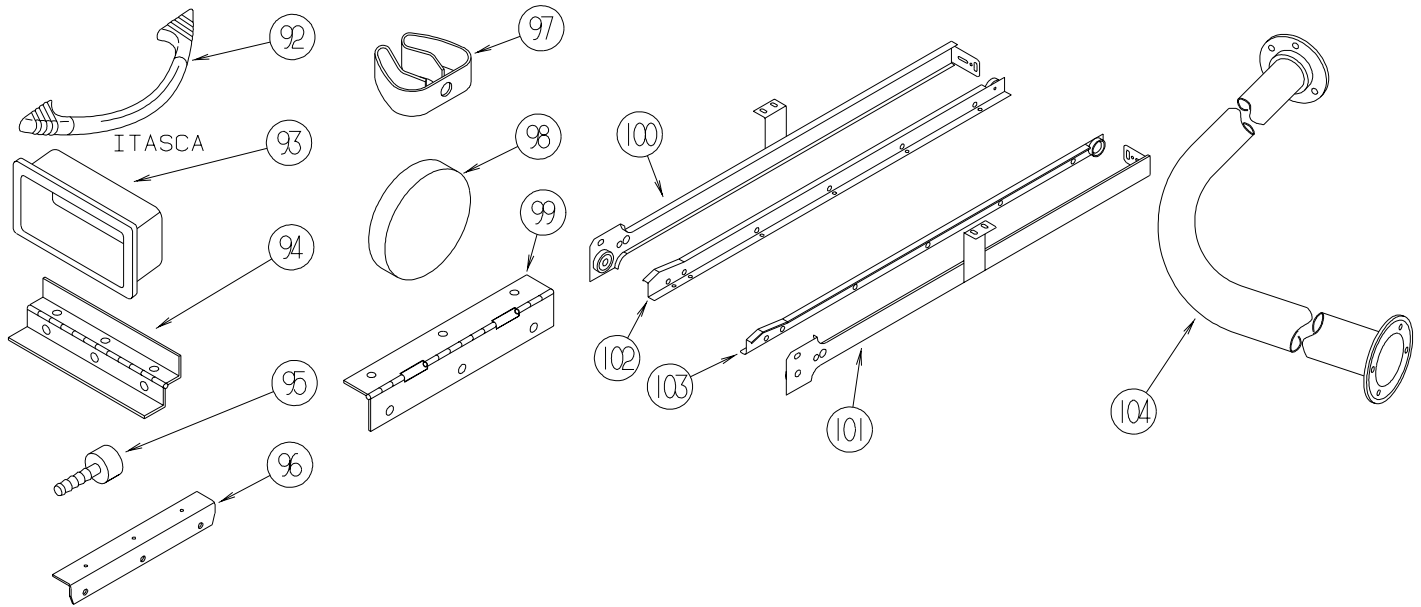
KEY	PART NUMBER	U/M	DESCRIPTION
56	115994-01-01A	EA	HANDLE - POCKET - <a href="#">RIALTA, 200-SERIES</a>
57	117095-01-01A	EA	LATCH - DOOR - GRABBER W/KEEPER - PLASTIC - BLK-5 LB PULL
58	118200-01-01A	SF	MESH - PLASTIC 1/2" - 48" X LENGTH = SF - BLACK
58	118200-07-01A	SF	MESH - PLASTIC 1/2" - 10.5" X 24.7" - BLACK
59	118933-01-01A	EA	SUPPORT - HINGE LOCK
60	124311-01-01A	EA	HANDLE - RECESSED - BRASS
61	125221-01-01A	EA	PULL - MIRROR - W/ROUND HANDLE
62	126263-06-02B	EA	BRACKET - GAS SPRING W/INSIDE BALL STUD - E-COATED
63	127349-01-01A	EA	LATCH - PADDLE - <a href="#">RIALTA, 200-SERIES</a>
64	128810-01-01A	EA	SLIDE - DRAWER - 12" - LEFT CABINET
64	128810-05-01A	EA	SLIDE - DRAWER - 14" - LEFT CABINET
64	128810-09-01A	EA	SLIDE - DRAWER - 16" - LEFT CABINET
64	128810-13-01A	EA	SLIDE - DRAWER - 18" - LEFT CABINET
64	128810-17-01A	EA	SLIDE - DRAWER - 20" - LEFT CABINET
64	128810-21-01A	EA	SLIDE - DRAWER - 22" - LEFT CABINET
64	128810-25-01A	EA	SLIDE - DRAWER - 24" - LEFT CABINET
64	128810-29-01A	EA	SLIDE - DRAWER - 9" - LEFT CABINET
65	128810-02-01A	EA	SLIDE - DRAWER - 12" - RIGHT CABINET
65	128810-06-01A	EA	SLIDE - DRAWER - 14" - RIGHT CABINET
65	128810-10-01A	EA	SLIDE - DRAWER - 16" - RIGHT CABINET
65	128810-10-01A	EA	SLIDE - DRAWER - 16" - RIGHT CABINET
65	128810-14-01A	EA	SLIDE - DRAWER - 18" - RIGHT CABINET
65	128810-18-01A	EA	SLIDE - DRAWER - 20" - RIGHT CABINET
65	128810-22-01A	EA	SLIDE - DRAWER - 22" - RIGHT CABINET
65	128810-26-01A	EA	SLIDE - DRAWER - 24" - RIGHT CABINET
65	128810-30-01A	EA	SLIDE - DRAWER - 9" - RIGHT CABINET
66	128810-03-01A	EA	SLIDE - DRAWER - 12" - LEFT DRAWER
66	128810-07-01A	EA	SLIDE - DRAWER - 14" - LEFT DRAWER
66	128810-11-01A	EA	SLIDE - DRAWER - 16" - LEFT DRAWER
66	128810-15-01A	EA	SLIDE - DRAWER - 18" - LEFT DRAWER
66	128810-19-01A	EA	SLIDE - DRAWER - 20" - LEFT DRAWER
66	128810-23-01A	EA	SLIDE - DRAWER - 22" - LEFT DRAWER
66	128810-27-01A	EA	SLIDE - DRAWER - 24" - LEFT DRAWER
66	128810-31-01A	EA	SLIDE - DRAWER - 9" - LEFT DRAWER
67	128810-04-01A	EA	SLIDE - DRAWER - 12" - RIGHT DRAWER
67	128810-08-01A	EA	SLIDE - DRAWER - 14" - RIGHT DRAWER
67	128810-12-01A	EA	SLIDE - DRAWER - 16" - RIGHT DRAWER
67	128810-16-01A	EA	SLIDE - DRAWER - 18" - RIGHT DRAWER
67	128810-20-01A	EA	SLIDE - DRAWER - 20" - RIGHT DRAWER
67	128810-24-01A	EA	SLIDE - DRAWER - 22" - RIGHT DRAWER
67	128810-28-01A	EA	SLIDE - DRAWER - 24" - RIGHT DRAWER
67	128810-32-01A	EA	SLIDE - DRAWER - 9" - RIGHT DRAWER
68	128811-01-01A	EA	BACKSOCKET - ADJUSTABLE - LEFT
69	128811-02-01A	EA	BACKSOCKET - ADJUSTABLE - RIGHT

## INTERIOR FINISH GROUP (CONTINUED) HARDWARE (CONTINUED)



KEY	PART NUMBER	U/M	DESCRIPTION
	68	128811-01-01A	EA BACKSOCKET - ADJUSTABLE - LEFT
	69	128811-02-01A	EA BACKSOCKET - ADJUSTABLE - RIGHT
	70	129703-01-01A	EA CATCH ASSEMBLY (SPRING)
	71	130120-01-01A	EA BRACKET - MIRROR
	72	130787-01-000	EA TRACK - TAMBOUR DOOR/SPRING - 15.9"
	72	130787-02-000	EA TRACK - TAMBOUR DOOR/SPRING - 24"
	72	130787-04-000	EA TRACK - TAMBOUR DOOR - SPRING
	73	131962-01-01A	EA PULL - DOOR/DRAWER - POLISHED BRASS - <b>SUNDANCER, ITASCA 400-SERIES ONLY</b>
	74	131963-01-01A	EA PULL - DOOR/DRAWER - POLISHED BRASS - <b>F, G, L, P &amp; 400-SERIES WINNEBAGOS</b>
	75	131964-01-01A	EA PULL - DOOR/DRAWER - POLISHED BRASS - <b>200, 300 &amp; D-SERIES</b>
	76	131965-01-01A	EA PULL - DOOR/DRAWER - 6.3" - BURNISHED BRASS - <b>ULTIMATE ADVANTAGE &amp; FREEDOM, Q-SERIES</b>
	77	132956-01-01A	EA SLIDE - DRAWER - LEFT CABINET - 37.5"
	77	132956-05-01A	EA SLIDE - DRAWER - LEFT CABINET - 32"
	78	132956-02-01A	EA SLIDE - DRAWER - RIGHT CABINET - 37.5"
	78	132956-06-01A	EA SLIDE - DRAWER - RIGHT CABINET - 32"
	79	132956-03-01A	EA SLIDE - DRAWER - LEFT DRAWER - 37.5"
	79	132956-07-01A	EA SLIDE - DRAWER - LEFT DRAWER - 32"
	80	132956-04-01A	EA SLIDE - DRAWER - RIGHT DRAWER - 37.5"
	80	132956-08-01A	EA SLIDE - DRAWER - RIGHT DRAWER - 32"
	81	133313-01-01A	EA PULL - DOOR/DRAWER - BURNISHED BRASS
	81	133313-01-02A	EA PULL - DOOR/DRAWER - BRIGHT BRASS
	82	133607-01-01A	EA PULL - LATCH - BLACK PLASTIC
	83	133892-01-01A	EA SLIDE - DRAWER - LEFT CABINET - 16"
	83	133892-06-01A	EA SLIDE - DRAWER - LEFT CABINET - 22"
	84	133892-02-01A	EA SLIDE - DRAWER - RIGHT CABINET - 16"
	84	133892-07-01A	EA SLIDE - DRAWER - RIGHT CABINET - 22"
	85	133892-03-01A	EA SLIDE - DRAWER - LEFT DRAWER - 16"
	85	133892-08-01A	EA SLIDE - DRAWER - LEFT DRAWER - 22"
	86	133892-04-01A	EA SLIDE - DRAWER - RIGHT DRAWER - 16"
	86	133892-09-01A	EA SLIDE - DRAWER - RIGHT DRAWER - 22"
	87	133892-05-01A	EA SLIDE - DRAWER - FULL SET - 9"
	88	133907-01-01A	EA BACKSOCKET - RIGHT HAND
	89	133907-02-01A	EA BACKSOCKET - LEFT HAND
	90	134649-01-02B	EA SUPPORT - BACKSOCKET - E-COATED
	91	134649-02-02B	EA SUPPORT - BACKSOCKET - E-COATED

**INTERIOR FINISH GROUP (CONTINUED)**  
**HARDWARE (CONTINUED)**



KEY	PART NUMBER	U/M	DESCRIPTION
92	137446-01-01A	EA	PULL - CABINET - CHROME/BRASS - F, G, L, P-SERIES ITASCAS
93	139136-01-01A	EA	HANDLE - RECESSED - 2.9" X 1.3"/2.7" X 1" X .7" C/O- BRASS
93	139136-02-01A	EA	HANDLE - RECESSED - 2.9" X 1.3"/2.7" X 1" X .4" C/O- BRASS
94	135538-01-01A	EA	HINGE - PIANO - FULL WRAP - BRASS PLATED
94	135538-02-01A	EA	HINGE - PIANO - FULL WRAP - STOCKER BRASS
94	135538-03-01A	EA	HINGE - PIANO - FULL WRAP - STOCKER BRASS
94	135538-04-01A	EA	HINGE - PIANO - FULL WRAP
94	135538-05-01A	EA	HINGE - PIANO - FULL WRAP
95	079921-01-000	EA	ROLLER - NYLON - W/STEEL SHAFT - BARBED
96	089025-01-000	EA	SUPPORT - SPRING TO BED - ANGLE 1.5" X 11.8"
97	091952-01-000	EA	CLIP - GRIPPER - 1"
98	122717-01-01A	EA	PAD - NON SKID - 4" DIAMETER ROUND
99	129753-01-01A	EA	HINGE - SPRING LOADED - 19" X 19" - BLACK
100	139566-01-01A	EA	SLIDE - DRAWER - 37.5" - LEFT CABINET
100	139566-05-01A	EA	SLIDE - DRAWER - 32" - LEFT CABINET
101	139566-02-01A	EA	SLIDE - DRAWER - 37.5" - RIGHT CABINET
101	139566-06-01A	EA	SLIDE - DRAWER - 32" - RIGHT CABINET
102	139566-03-01A	EA	SLIDE - DRAWER - 37.5" - LEFT DRAWER
102	139566-07-01A	EA	SLIDE - DRAWER - 32" - LEFT DRAWER
103	139566-04-01A	EA	SLIDE - DRAWER - 37.5" - RIGHT DRAWER
103	139566-08-01A	EA	SLIDE - DRAWER - 32" - RIGHT DRAWER
104	140494-01-02A	EA	ROD - SHOWER - SOFT WHITE
104	140494-01-01A	EA	ROD - SHOWER

## LABELS GROUP

SEWAGE

**KEY PART NUMBER U/M DESCRIPTION**  
006187-01-000 EA LABEL - SEWAGE

WASTE WATER

**KEY PART NUMBER U/M DESCRIPTION**  
006188-01-000 EA LABEL - WASTE WATER

EXIT

**KEY PART NUMBER U/M DESCRIPTION**  
039290-01-000 EA LABEL - WARNING - EXIT

↑  
OPEN

**KEY PART NUMBER U/M DESCRIPTION**  
040944-01-000 EA LABEL - ENTRANCE DOOR - "OPEN"

### CAUTION

THIS MOTOR HOME HAS BEEN DESIGNED, MANUFACTURED AND TESTED WITH CONCERN FOR THE PROTECTION OF IT'S OCCUPANTS. WE RECOMMEND YOU PERFORM THE FOLLOWING INSPECTIONS FOR YOUR SAFETY AND THE SAFETY OF YOUR PASSENGERS BEFORE STARTING YOUR VEHICLE.

1. LP GAS SYSTEM- TURN OFF AT TANK FOR TRAVELING. TEST FOR LEAKS UPON ARRIVAL AT DESTINATION. BEFORE LIGHTING PILOTS.
2. WHEELS- INSPECT FOR DAMAGE AND CHECK LUG NUTS FOR TIGHTNESS.
3. TIRES- INSPECT FOR WEAR AND DAMAGE AND CHECK FOR RECOMMENDED AIR PRESSURE.
4. LIGHTING- TEST FOR PROPER OPERATION OF ALL INTERIOR AND EXTERIOR LIGHTS INCLUDING DASH LIGHTS, HEADLIGHTS, TAIL LIGHTS, BRAKE LIGHTS, CLEARANCE LIGHTS AND TURN SIGNALS.
5. EXITS- INSPECT RELEASE MECHANISM ON EMERGENCY EXIT WINDOW. TEST BOTH LOCKS ON MAIN ENTRANCE DOOR FOR EASE OF OPERATION AND INSTRUCT PASSENGERS HOW TO USE BOTH MEANS OF EXIT.
6. SEAT BELTS- DIRECT PASSENGERS TO DESIGNATED SEATS AND REQUIRE USE OF SEAT BELTS.
7. APPLIANCES- TURN OFF AND LATCH OR LOCK DOORS WHERE PROVIDED.
8. LOOSE PARCELS- STORE SECURELY.
9. UTILITY SUPPLY LINES- DISCONNECT ALL ELECTRIC, SEWER AND WATER LINES AND SECURE PROPERLY.
10. ENTRANCE DOOR STEP- PLACE IN RETRACTED POSITION FOR TRAVELING.

READ YOUR MOTOR HOME AND CHASSIS OWNER'S  
MANUAL FOR FURTHER PRECAUTIONS

**KEY PART NUMBER U/M DESCRIPTION**  
056259-01-000 EA LABEL - SAFETY CHECK LIST

UNLEADED FUEL ONLY

**KEY PART NUMBER U/M DESCRIPTION**  
062043-01-000 EA LABEL - FUEL - UNLEADED

## LABELS GROUP (CONTINUED)

**WARNING** DISCONNECT BATTERIES BEFORE  
CONNECTING EXTERNAL CHARGING EQUIPMENT.

**KEY PART NUMBER U/M DESCRIPTION**  
065748-01-000 EA LABEL - CAUTION - BATTERY CHARGING

AVERTISSEMENT : DEBRANCHER LES BATTERIES AVANT  
DE BRANCHER TOUT EQUIPEMENT DE CHARGE EXTERIEUR.

**KEY PART NUMBER U/M DESCRIPTION**  
065748-02-000 EA LABEL - WARNING - BATTERY/FRENCH - CANADIAN

DIESEL FUEL ONLY

**KEY PART NUMBER U/M DESCRIPTION**  
068383-01-000 EA LABEL - DIESEL FUEL

VEHICLE EMISSION CONTROL INFORMATION

THIS VEHICLE CONFORMS TO U.S. EPA  
REGULATIONS APPLICABLE TO XXXX MODEL  
YEAR NEW VEHICLES.

072887-01-000-2 CATALYST

**KEY PART NUMBER U/M DESCRIPTION**  
072887-13-000 EA LABEL - EPA - 2001 MODEL YEAR

IF YOU SMELL GAS

1. EXTINGUISH ANY OPEN FLAME, PILOT LIGHTS AND ALL SMOKING MATERIALS.
2. DO NOT TOUCH ELECTRICAL SWITCHES.
3. SHUT OFF THE GAS SUPPLY AT THE TANK VALVE(S) OR GAS SUPPLY CONNECTION.
4. OPEN DOORS AND OTHER VENTILATING OPENINGS.
5. LEAVE THE AREA UNTIL ODOR CLEARS.
6. HAVE THE GAS SYSTEM CHECKED AND LEAKAGE SOURCE CORRECTED BEFORE USING AGAIN.

**KEY PART NUMBER U/M DESCRIPTION**  
073998-01-000 EA LABEL - LPG ODOR WARNING

WARNING: TEST SMOKE DETECTOR  
OPERATION AFTER VEHICLE HAS BEEN IN  
STORAGE, BEFORE EACH TRIP AND AT  
LEAST ONCE PER WEEK DURING USE.

**KEY PART NUMBER U/M DESCRIPTION**  
077956-01-000 EA LABEL - WARNING - SMOKE DETECTOR

WARNING  
MUST BE STOWED  
IN LATCHED POSITION  
WHILE VEHICLE IS IN MOTION

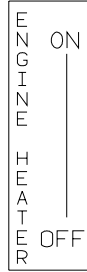
**KEY PART NUMBER U/M DESCRIPTION**  
079966-01-000 EA LABEL - WARNING - STOWED - MOTION



## LABELS GROUP (CONTINUED)



**KEY PART NUMBER U/M DESCRIPTION**  
 083588-01-000 EA LABEL - ON/OFF - WATER HEATER



**KEY PART NUMBER U/M DESCRIPTION**  
 083588-02-000 EA LABEL - ON/OFF - ENGINE HEATER

<b>CAUTION</b>	TO HELP AVOID PERSONAL INJURY DURING REMOVAL OF FUEL FILLER CAP, SLOWLY LOOSEN CAP 1/2 TURN TO ALLOW ANY FUEL PRESSURE TO BE RELIEVED BEFORE TURNING CAP FURTHER.
FUEL SPRAY MAY CAUSE PERSONAL INJURY	STOP ADDING FUEL AFTER FIRST SHUTOFF BY AUTOMATIC NOZZLE WHEN TANK IS NEARLY FULL. DO NOT OVERFILL FUEL TANK. SEE OWNERS MANUAL FOR ADDITIONAL INFORMATION. PRINTED IN U.S.A. <span style="float: right;">WLC PT NO 15611763</span>

**KEY PART NUMBER U/M DESCRIPTION**  
 087207-05-000 EA LABEL - FUEL CAP REMOVAL



**KEY PART NUMBER U/M DESCRIPTION**  
 087236-01-000 EA LABEL - CABLE - INPUT

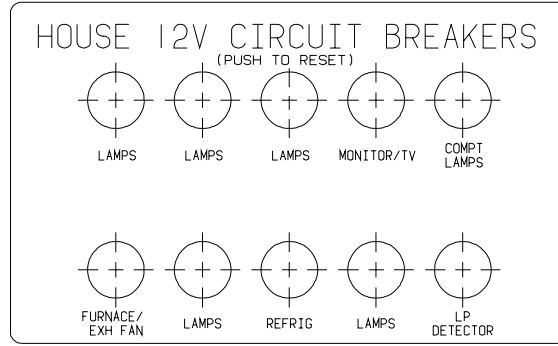


**KEY PART NUMBER U/M DESCRIPTION**  
 087236-02-000 EA LABEL - TV OUTLET

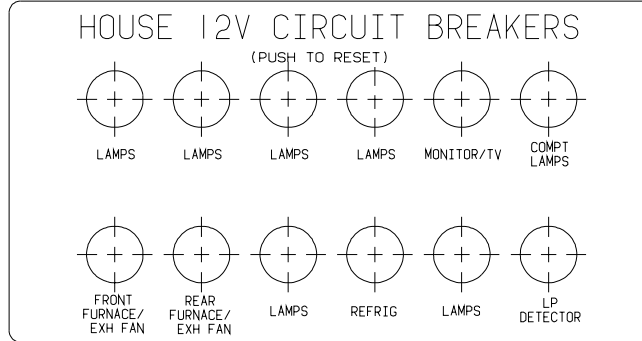
AIR CONDITIONING CIRCUIT.  
 THIS CONNECTION IS FOR  
 AIR CONDITIONERS RATED 110-  
 125 VOLT AC, 60 HZ, 16  
 AMPERES MAXIMUM. DO NOT  
 EXCEED CIRCUIT RATING.

**KEY PART NUMBER U/M DESCRIPTION**  
 091243-01-000 EA LABEL - A/C COVER "AIR CONDITIONING CIRCUIT ETC."

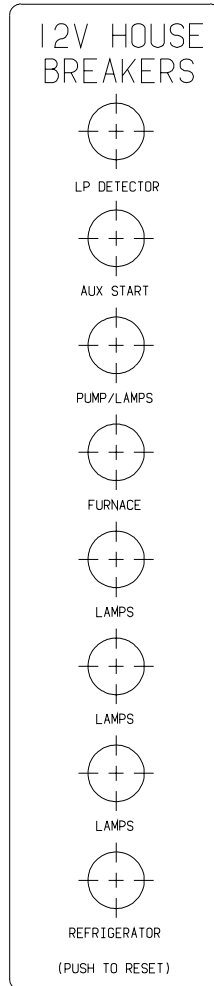
## LABELS GROUP (CONTINUED)



<b>KEY</b>	<b>PART NUMBER</b>	<b>U/M DESCRIPTION</b>
	092547-06-000	EA LABEL - CIRCUIT BREAKER

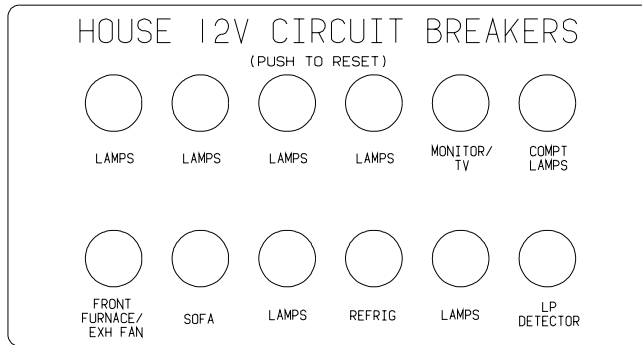


<b>KEY</b>	<b>PART NUMBER</b>	<b>U/M DESCRIPTION</b>
	092547-07-000	EA LABEL - CIRCUIT BREAKER

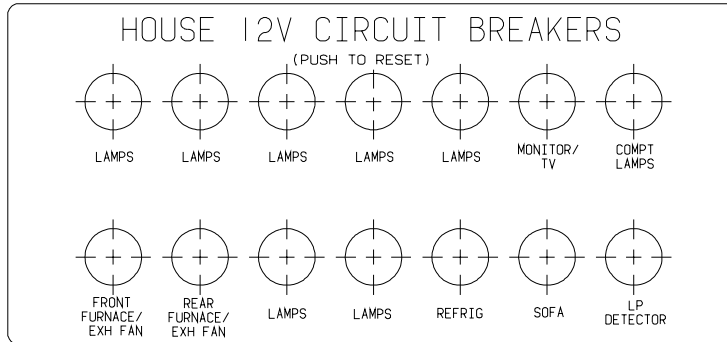


<b>KEY</b>	<b>PART NUMBER</b>	<b>U/M DESCRIPTION</b>
	092547-08-000	EA LABEL - CIRCUIT BREAKER

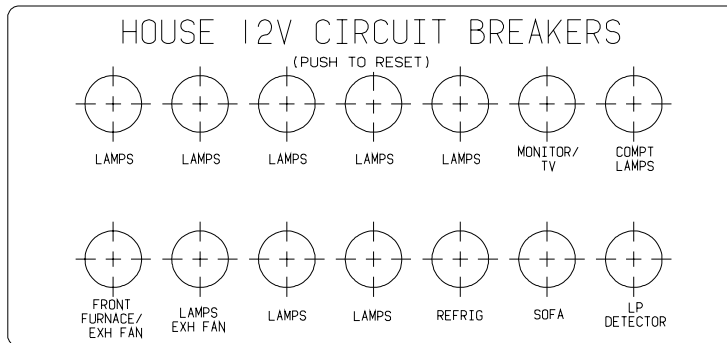
## LABELS GROUP (CONTINUED)



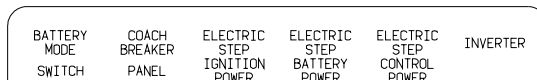
**KEY PART NUMBER** 092547-10-000 **U/M DESCRIPTION**  
EA LABEL - CIRCUIT BREAKER



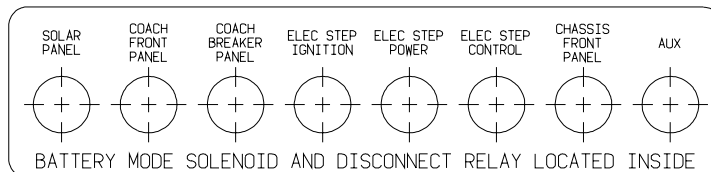
**KEY PART NUMBER** 092547-11-000 **U/M DESCRIPTION**  
EA LABEL - CIRCUIT BREAKER



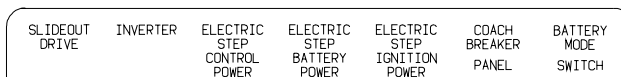
**KEY PART NUMBER** 092547-12-000 **U/M DESCRIPTION**  
EA LABEL - CIRCUIT BREAKER



**KEY PART NUMBER** 093236-08-000 **U/M DESCRIPTION**  
EA LABEL - CIRCUIT BREAKER

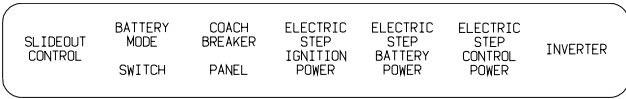


**KEY PART NUMBER** 093236-13-000 **U/M DESCRIPTION**  
EA LABEL - CIRCUIT BREAKER

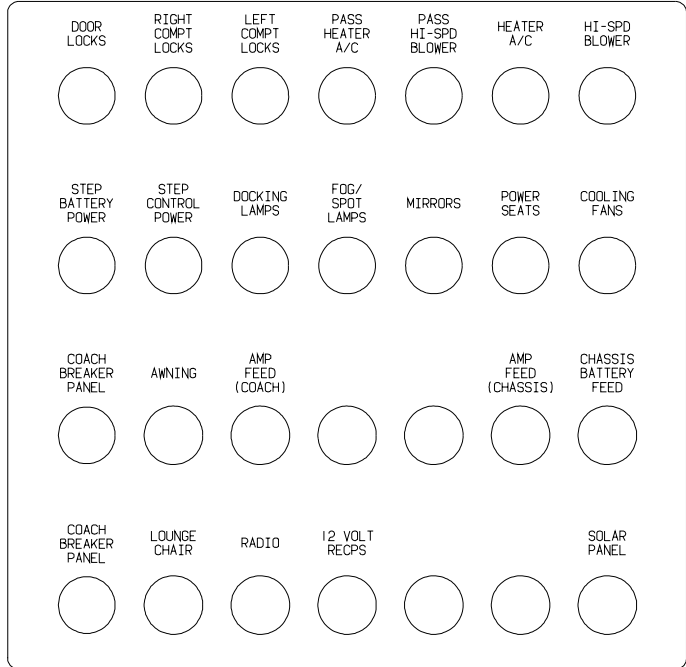


**KEY PART NUMBER** 093236-15-000 **U/M DESCRIPTION**  
EA LABEL - CIRCUIT BREAKER

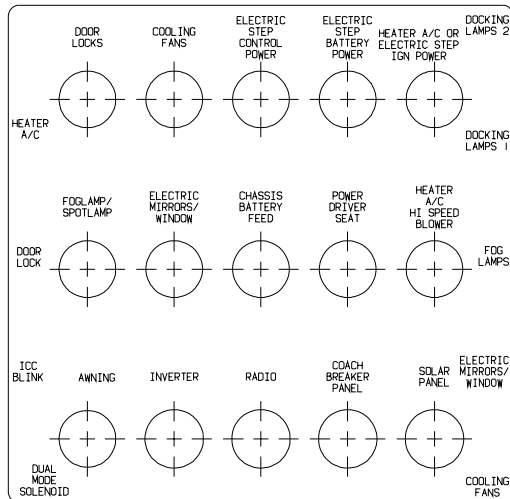
## LABELS GROUP (CONTINUED)



**KEY PART NUMBER U/M DESCRIPTION**  
 093236-21-000 EA LABEL - CIRCUIT BREAKER

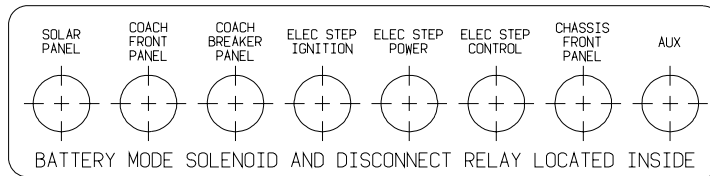


**KEY PART NUMBER U/M DESCRIPTION**  
 093236-22-000 EA LABEL - CIRCUIT BREAKER



**KEY PART NUMBER U/M DESCRIPTION**  
 093236-23-000 EA LABEL - CIRCUIT BREAKER - MAIN

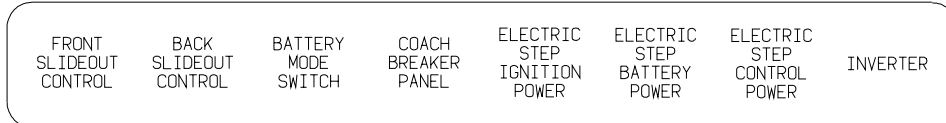
## LABELS GROUP (CONTINUED)



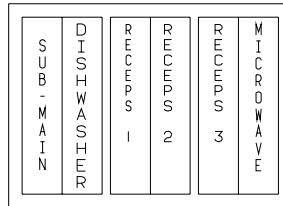
**KEY PART NUMBER U/M DESCRIPTION**  
 093236-24-000 EA LABEL - CIRCUIT BREAKER



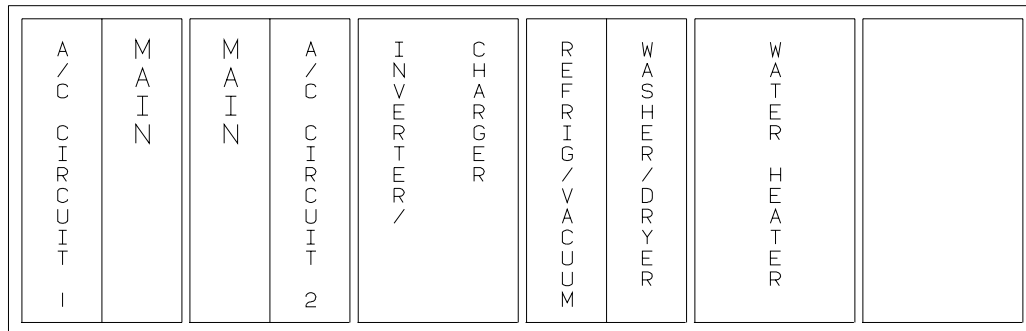
**KEY PART NUMBER U/M DESCRIPTION**  
 093236-25-000 EA LABEL - CIRCUIT BREAKER



**KEY PART NUMBER U/M DESCRIPTION**  
 093236-28-000 EA LABEL - CIRCUIT BREAKER



**KEY PART NUMBER U/M DESCRIPTION**  
 095721-20-000 EA LABEL - CONTROL CENTER W/INVERTER



**KEY PART NUMBER U/M DESCRIPTION**  
 095721-22-000 EA LABEL - CONTROL CENTER - 50 AMP

## LABELS GROUP (CONTINUED)

A / C C I R C U I T 1	M A I N	A / C C I R C U I T 2	R E F F R I G / C O N V	M I C R O W A V E	R E C P S 1	R E C P S 2	R E C P S 3	W A S H E R / D R Y E R	W A T E R H E A T E R	
-----------------------------	------------	-----------------------------	-------------------------------	----------------------	-------------------	-------------------	-------------------	-------------------------------	--------------------------------	--

**KEY PART NUMBER** 095721-31-000 **U/M DESCRIPTION**  
EA LABEL - CONTROL CENTER - 30 AMP - US

A / C C I R C U I T 1	M A I N	A / C C I R C U I T 2	I N V E R T E R / C H A R G E R	R E F F R I G E R A T O R	W A S H E R / D R Y E R	W A T E R H E A T E R	
-----------------------------	------------	-----------------------------	--	------------------------------	-------------------------------	--------------------------------	--

**KEY PART NUMBER** 095721-32-000 **U/M DESCRIPTION**  
EA LABEL - CONTROL CENTER - 30 AMP W/INVERTER

A / C C I R C U I T 1	M A I N	M A I N	A / C C I R C U I T 2	R E F F R I G / C O N V	M I C R O W A V E	R E C P S 1	R E C P S 2	R E C P S 3	W A S H E R / D R Y E R	W A T E R H E A T E R
-----------------------------	------------	------------	-----------------------------	-------------------------------	----------------------	-------------------	-------------------	-------------------	-------------------------------	--------------------------------

**KEY PART NUMBER** 095721-33-000 **U/M DESCRIPTION**  
EA LABEL - CONTROL CENTER - 50 AMP - US

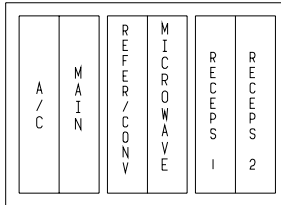
A / C C I R C U I T 1	M A I N	M A I N	A / C C I R C U I T 2	I N V E R T E R / C H A R G E R	R E F F R I G E R A T O R	W A S H E R / D R Y E R	W A T E R H E A T E R	
-----------------------------	------------	------------	-----------------------------	--	------------------------------	-------------------------------	--------------------------------	--

**KEY PART NUMBER** 095721-34-000 **U/M DESCRIPTION**  
EA LABEL - CONTROL CENTER - 50 AMP

M A I N	M I C R O W A V E	G F I / R E C E P S	R E F F E R / C O N V	W A T E R H T R	A / C
------------	----------------------	---------------------------	--------------------------------	--------------------------	-------------

**KEY PART NUMBER** 095721-38-000 **U/M DESCRIPTION**  
EA LABEL - CONTROL CENTER - 30 AMP - US

## LABELS GROUP (CONTINUED)



**KEY PART NUMBER U/M DESCRIPTION**  
 095721-40-000 EA LABEL - CONTROL CENTER

AUTOMOTIVE AND COACH  
CIRCUIT BREAKERS

**KEY PART NUMBER U/M DESCRIPTION**  
 098379-01-000 EA LABEL - CIRCUIT BREAKER - FRONT BOX

CIRCUIT BREAKERS  
AND AUTOMOTIVE  
FUSE PANEL

**KEY PART NUMBER U/M DESCRIPTION**  
 098379-03-000 EA LABEL - ELECTRICAL BOX - FRONT

BATTERY MODE  
SOLENOID AND  
RELAYS

**KEY PART NUMBER U/M DESCRIPTION**  
 098379-04-000 EA LABEL - ELECTRICAL BOX - SIDE

UNLEADED  
FUEL ONLY

**KEY PART NUMBER U/M DESCRIPTION**  
 098641-01-000 EA LABEL - FUEL - UNLEADED - DASH

FOR AWNING INSTALLATION  
CONTACT YOUR MOTORHOME  
DEALERSHIP

**KEY PART NUMBER U/M DESCRIPTION**  
 099509-01-000 EA LABEL - AWNING INSTALLATION

WARNING  
THIS VEHICLE, LIKE OTHER  
VEHICLES, MAY CONTAIN SMALL  
AMOUNTS OF ONE OR MORE  
SUBSTANCES WHICH ARE LISTED  
BY THE STATE OF CALIFORNIA  
FOR CAUSING CANCER OR  
REPRODUCTIVE TOXICITY.

**KEY PART NUMBER U/M DESCRIPTION**  
 099689-01-000 EA LABEL - WARNING - CANCER/TOXICITY

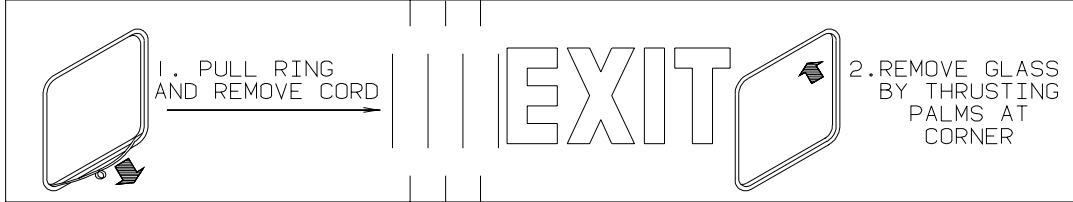
## LABELS GROUP (CONTINUED)

NOTE: TUNE ANTENNA  
PER MANUFACTURER'S  
DIRECTIONS. FAILURE TO  
COMPLY COULD RESULT IN  
DAMAGE TO CB.

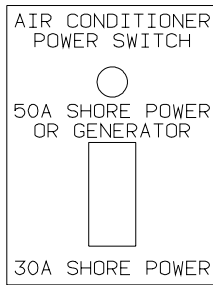
CB POWER PROVISION

RED +12 V  
BLACK GROUND  
COAX ANTENNA  
(SEE REVERSE ALSO)

**KEY PART NUMBER U/M DESCRIPTION**  
104678-01-000 EA LABEL - CB PREP



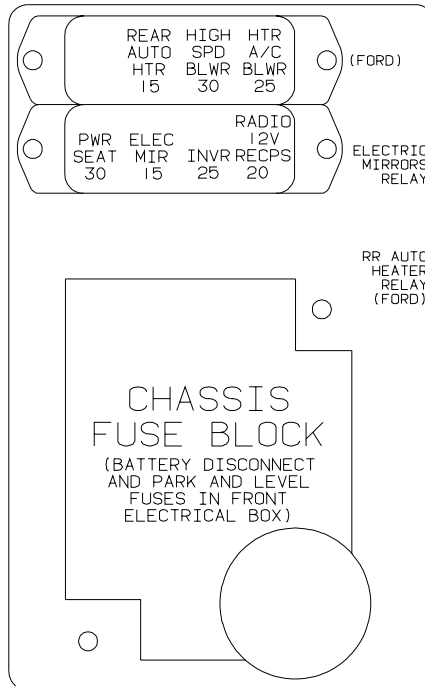
**KEY PART NUMBER U/M DESCRIPTION**  
107571-01-000 EA LABEL - EXIT/ESCAPE WINDOW



**KEY PART NUMBER U/M DESCRIPTION**  
109051-02-000 EA LABEL - SWITCH - 50 AMP POWER



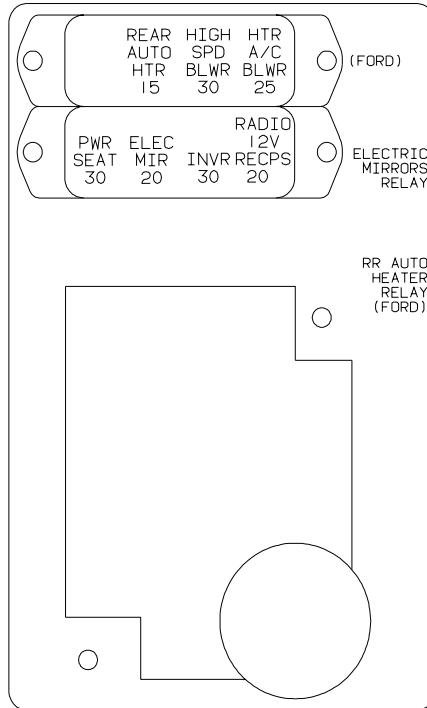
**KEY PART NUMBER U/M DESCRIPTION**  
111104-01-000 EA LABEL - HITCH - READ MANUAL - WHITE



**KEY PART NUMBER U/M DESCRIPTION**  
111537-08-000 EA LABEL - FUSES



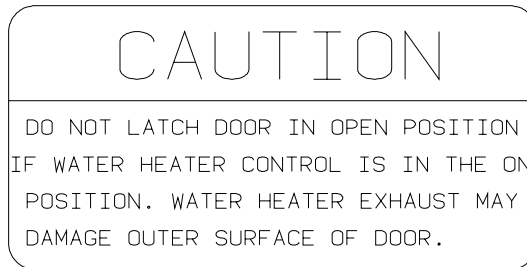
## LABELS GROUP (CONTINUED)



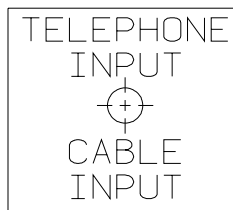
**KEY PART NUMBER U/M DESCRIPTION**  
 111537-09-000 EA LABEL - FUSES

WARNING: CONTAINS "CFC" A SUBSTANCE WHICH HARMS PUBLIC HEALTH AND ENVIRONMENT BY DESTROYING OZONE IN THE UPPER ATMOSPHERE.

**KEY PART NUMBER U/M DESCRIPTION**  
 111802-01-000 EA LABEL - CFC WARNING

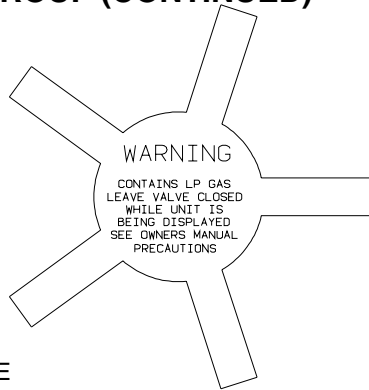


**KEY PART NUMBER U/M DESCRIPTION**  
 113402-01-000 EA LABEL - CAUTION - WATER HEATER EXHAUST



**KEY PART NUMBER U/M DESCRIPTION**  
 114866-02-000 EA LABEL - PHONE & CABLE INPUT - WHITE/CLEAR BACKGROUND  
 114866-03-000 EA LABEL - PHONE & CABLE INPUT - BLACK/CLEAR BACKGROUND

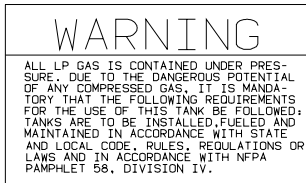
## LABELS GROUP (CONTINUED)



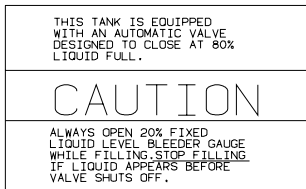
**KEY PART NUMBER U/M DESCRIPTION**  
 115600-01-000 EA LABEL - WARNING LPG VALVE

WARNING: REPLACE TIRE ONLY WITH ONE OF EXACTLY SAME TYPE AND RATING. DO NOT REPLACE WITH PASSENGER CAR TIRE. SEE OPERATOR'S MANUAL FOR MORE INFORMATION CALL WINNEBAGO OWNER RELATIONS AT 1-800-537-1885.

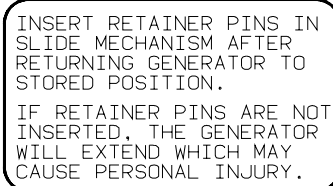
**KEY PART NUMBER U/M DESCRIPTION**  
 115869-01-000 EA LABEL - WARNING - TIRE



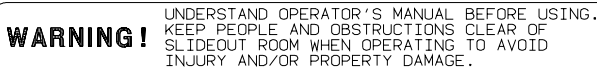
**KEY PART NUMBER U/M DESCRIPTION**  
 116112-01-000 EA LABEL - WARNING - LP



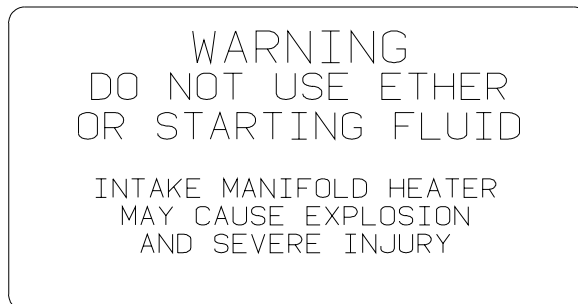
**KEY PART NUMBER U/M DESCRIPTION**  
 116113-01-000 EA LABEL - CAUTION - LP



**KEY PART NUMBER U/M DESCRIPTION**  
 116273-01-000 EA LABEL - WARNING - GENERATOR

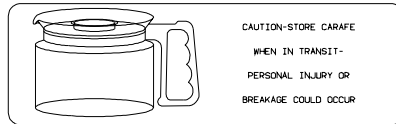


**KEY PART NUMBER U/M DESCRIPTION**  
 116549-01-000 EA LABEL - WARNING - SLIDEOUT



**KEY PART NUMBER U/M DESCRIPTION**  
 116756-02-000 EA LABEL - WARNING - ETHER/STARTING

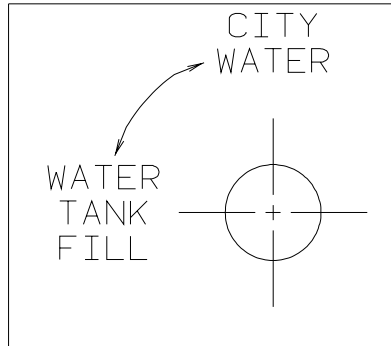
## LABELS GROUP (CONTINUED)



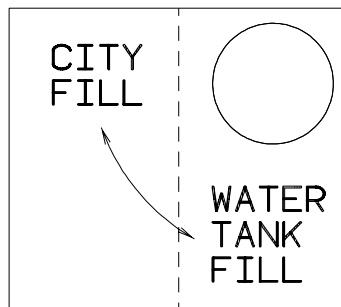
**KEY PART NUMBER U/M DESCRIPTION**  
116829-02-000 EA LABEL - COFFEEMAKER



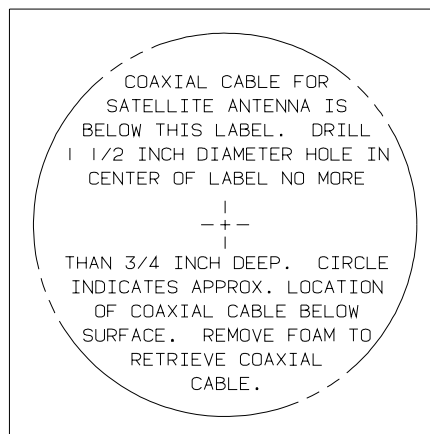
**KEY PART NUMBER U/M DESCRIPTION**  
117628-02-000 EA LABEL - SWITCH - WATER PUMP/LIGHTS-WHITE/CLEAR BACKGROUND



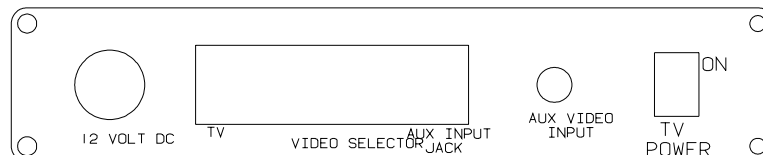
**KEY PART NUMBER U/M DESCRIPTION**  
117629-03-000 EA LABEL - WATER PUMP/FILL-BLK LETTERS/CLEAR BACKGROUND-.31"



**KEY PART NUMBER U/M DESCRIPTION**  
117629-04-000 EA LABEL - CITY WATER/TANK FILL



**KEY PART NUMBER U/M DESCRIPTION**  
120431-01-000 EA LABEL - LOCATION - COAXIAL CABLE/SATELLITE ANTENNA



**KEY PART NUMBER U/M DESCRIPTION**  
120677-01-000 EA LABEL - TV

## LABELS GROUP (CONTINUED)

KEEP THE SERVICE INLET ACCESS  
IN THE CLOSED POSITION WHEN  
UTILITY CONNECTIONS ARE NOT IN USE

<b>KEY</b>	<b>PART NUMBER</b>	<b>U/M DESCRIPTION</b>
	123562-01-000	EA LABEL - SERVICE/UTILITY ACCESS

WARNING

ALL PILOT LIGHTS, APPLIANCES AND THEIR  
IGNITORS (SEE OPERATING INSTRUCTIONS) SHALL  
BE TURNED OFF DURING REFUELING OF MOTOR  
FUEL TANKS AND/OR LP GAS CONTAINERS

<b>KEY</b>	<b>PART NUMBER</b>	<b>U/M DESCRIPTION</b>
	124519-01-01A	EA LABEL - WARNING/REFUELING - BLACK ON CLEAR
	124519-01-02A	EA LABEL - WARNING/REFUELING - WHITE ON CLEAR

WARNING:

ALL PILOT LIGHTS AND APPLIANCES SHALL BE TURNED  
OFF DURING REFUELING OF MOTOR FUEL TANKS AND/  
OR PROPANE CONTAINERS.

AVERTISSEMENT :

FERMER TOUTES LES VEILLEUSES AINSI QUE TOUS LES  
APPAREILS LORSQU'ON FAIT LE PLEIN DES RESERVOIRS  
À CARBURANT OU À PROPANE.

124519-02

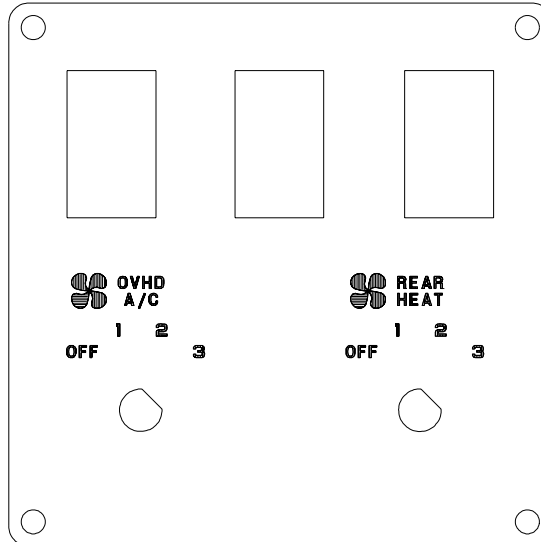
<b>KEY</b>	<b>PART NUMBER</b>	<b>U/M DESCRIPTION</b>
	124519-02-01A	EA LABEL - WARNING/REFUELING - BLACK ON CLEAR - CSA
	124519-02-02A	EA LABEL - WARNING/REFUELING - WHITE ON CLEAR - CSA

LP-GAS SYSTEM  
THIS GAS PIPING SYSTEM IS  
DESIGNED FOR USE OF  
LIQUIFIED PETROLEUM GAS  
ONLY. DO NOT CONNECT  
NATURAL GAS TO THIS  
SYSTEM.

SECURE CAP INLET(S) WHEN NOT  
CONNECTED FOR USE. AFTER TURNING  
ON GAS, EXCEPT AFTER NORMAL  
CONTAINER REPLACEMENT, TEST GAS  
PIPING AND CONNECTIONS TO  
APPLIANCES FOR LEAKAGE WITH SOAPY  
WATER OR BUBBLE SOLUTION. DO NOT  
USE PRODUCTS THAT CONTAIN AMMONIA  
OR CLORINE.

124520

<b>KEY</b>	<b>PART NUMBER</b>	<b>U/M DESCRIPTION</b>
	124520-01-01A	EA LABEL - LP GAS ONLY - BLACK ON CLEAR
	124520-01-02A	EA LABEL - LP GAS ONLY - WHITE ON CLEAR



<b>KEY</b>	<b>PART NUMBER</b>	<b>U/M DESCRIPTION</b>
	124572-01-000	EA LABEL - SWITCHES

## LABELS GROUP (CONTINUED)

THIS CONNECTION IS FOR  
(B) VOLT AC, 60 HZ (CYCLES)  
(A) AMPERE SUPPLY

DO NOT CONNECT TO  
HIGHER VOLTAGE

KEY	PART NUMBER	U/M	DESCRIPTION
	125306-01-01A	EA	LABEL - ELECTRICAL ENTRANCE - 110V 30 AMP - BLACK ON CLEAR
	125306-01-02A	EA	LABEL - ELECTRICAL ENTRANCE - 110V 30 AMP - WHITE ON CLEAR

THIS CONNECTION IS FOR  
(B) VOLT AC, 3-POLE, 4 WIRE  
60 HZ (CYCLES), (A) AMPERE SUPPLY

DO NOT CONNECT TO  
HIGHER VOLTAGE

KEY	PART NUMBER	U/M	DESCRIPTION
	125306-04-01A	EA	LABEL-ELECTRICAL ENTRANCE-120/240V 50 AMP-BLACK ON CLEAR
	125306-04-02A	EA	LABEL - ELECTRICAL ENTRANCE-120/240V 50 AMP-WHITE ON CLEAR



KEY	PART NUMBER	U/M	DESCRIPTION
	125697-07-000	EA	LABEL - CAUTION - FLUSHING SYSTEM

REMOVE PRIMARY TIRE HANGER BEFORE USING  
SPARE TIRE HOIST-SEE OWNERS MANUAL - PERSONAL  
INJURY MAY RESULT IF NOT FOLLOWED

KEY	PART NUMBER	U/M	DESCRIPTION
	126024-01-01A	EA	LABEL - TIRE HANGER REMOVAL

**GRAY HOLDING TANK**

KEY	PART NUMBER	U/M	DESCRIPTION
	126247-05-000	EA	LABEL - GRAY HOLDING TANK-BLACK LETTERS/CLEAR BACKGROUND

BLACK HOLDING TANK

KEY	PART NUMBER	U/M	DESCRIPTION
	126247-06-000	EA	LABEL - BLACK HOLDING TANK-BLACK LETTERS/CLEAR BACKGROUND

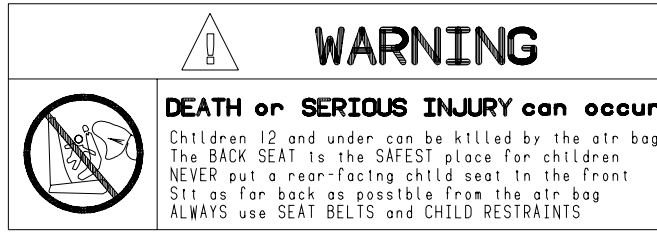
**EXTERIOR SHOWER**

KEY	PART NUMBER	U/M	DESCRIPTION
	126248-03-000	EA	LABEL - EXTERIOR SHOWER

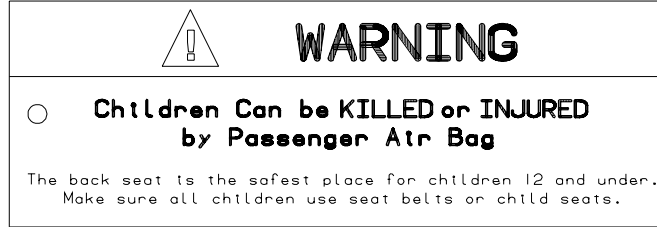
**CITY WATER FILL**

KEY	PART NUMBER	U/M	DESCRIPTION
	126249-03-000	EA	LABEL - CITY WATER FILL-BLK LETTERS/CLEAR BACKGROUND .31"

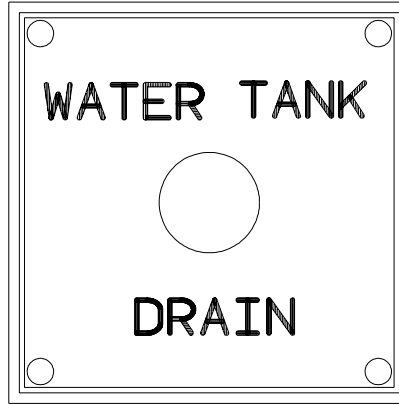
**LABEL GROUP (CONTINUED)**



**KEY PART NUMBER U/M DESCRIPTION**  
 126611-01-000 EA LABEL - AIR BAG - VISOR



**KEY PART NUMBER U/M DESCRIPTION**  
 126612-01-000 EA LABEL - HANG TAG - AIR BAG - DASH



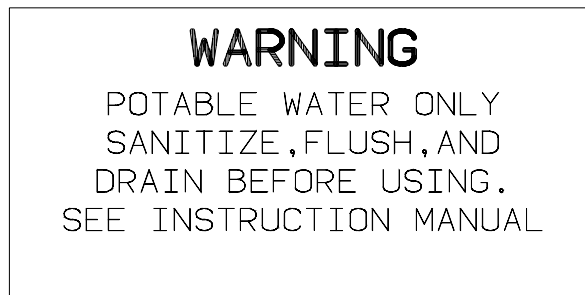
**KEY PART NUMBER U/M DESCRIPTION**  
 127170-01-000 EA LABEL - WATER TANK DRAIN



**KEY PART NUMBER U/M DESCRIPTION**  
 128218-01-01A EA LABEL - WARNING - SLIPPERY ROOF

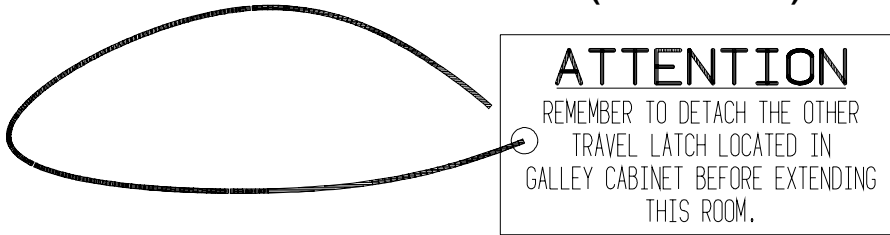


**KEY PART NUMBER U/M DESCRIPTION**  
 128658-01-000 EA LABEL - PROP ROD - ENTRY DOOR



**KEY PART NUMBER U/M DESCRIPTION**  
 128725-01-01A EA LABEL - POTABLE WATER ONLY - BLACK ON CLEAR

**LABELS GROUP (CONTINUED)**



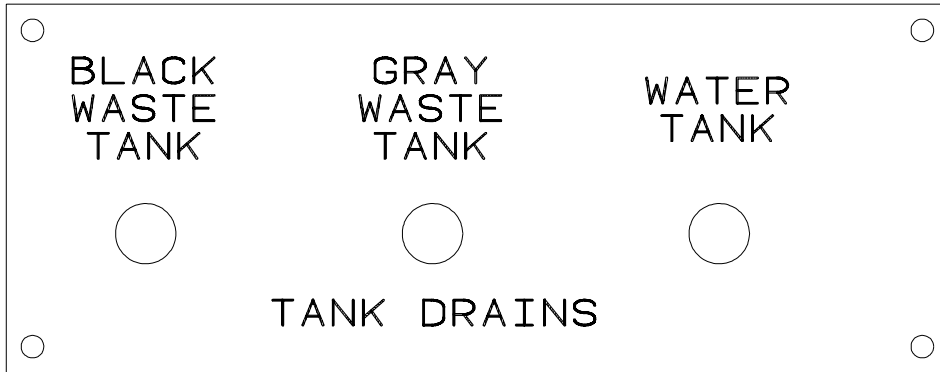
**KEY PART NUMBER U/M DESCRIPTION**  
 129033-01-000 EA LABEL - HANG TAG - TRAVEL LATCH - 1.5" X 3"

TOW VEHICLE RATING MAY BE LESS THAN HITCH RATING.  
 MAXIMUM VERTICAL HITCH LOAD: 350 LBS  
 DO NOT EXCEED REAR AXLE RATING.  
 SEE OWNER'S MANUAL FOR ADDITIONAL INFORMATION.

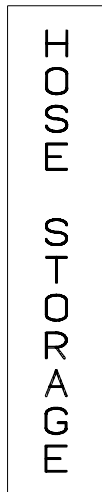
**KEY PART NUMBER U/M DESCRIPTION**  
 129669-01-01A EA LABEL - HITCH/VEHICLE RATE - 350 - WHITE ON CLEAR  
 129669-02-01A EA LABEL - HITCH/VEHICLE RATE - 500- WHITE ON CLEAR  
 129669-02-02A EA LABEL - HITCH/VEHICLE RATE - 500 - BLACK ON CLEAR

TIRE ROTATION  
 SEE RIALTA OWNERS MANUAL  
 SECTION 9

**KEY PART NUMBER U/M DESCRIPTION**  
 129684-01-000 EA LABEL - TIRE ROTATION



**KEY PART NUMBER U/M DESCRIPTION**  
 130166-01-000 EA LABEL - DRAIN



**KEY PART NUMBER U/M DESCRIPTION**  
 130167-02-000 EA LABEL - HOSE STORAGE



**KEY PART NUMBER U/M DESCRIPTION**  
 130168-01-000 EA LABEL - WASTE TANK FLUSH

**LABELS GROUP (CONTINUED)**

MONITOR WATER  
 PANEL LIGHT PUMP

**KEY PART NUMBER U/M DESCRIPTION**  
 130170-01-000 EA LABEL - SWITCH PANEL - BLK/CLEAR BACKGROUND-1.8"H X 5.9"L

LIGHTS WATER  
 PUMP

**KEY PART NUMBER U/M DESCRIPTION**  
 130170-02-000 EA LABEL - SWITCH PANEL-BLK/CLEAR BACKGROUND-1.4"H X 3.9"L

WATER  
 PUMP

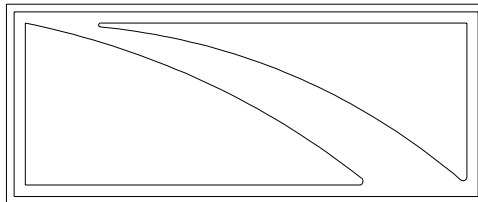
**KEY PART NUMBER U/M DESCRIPTION**  
 130170-03-000 EA LABEL - PANEL SWITCH

CAUTION:  
 OPEN A WINDOW OR VENT WHILE  
 OPERATING DRYER. IT IS DANGEROUS  
 TO CREATE A NEGATIVE AIR PRESSURE  
 INSIDE A VEHICLE CONTAINING  
 FUEL-BURNING APPLIANCES

**KEY PART NUMBER U/M DESCRIPTION**  
 130670-01-01A EA LABEL - CAUTION DRYER VENTING - BLACK ON CLEAR

PUSH TO  
 RELEASE  
 GENERATOR  
 SLIDE ASM

**KEY PART NUMBER U/M DESCRIPTION**  
 131779-01-01A EA LABEL - GENERATOR



**KEY PART NUMBER U/M DESCRIPTION**  
 132651-01-01A EA DECAL - MIRROR/GALLEY

OPEN ○  
 DRAIN  
 CLOSED ○

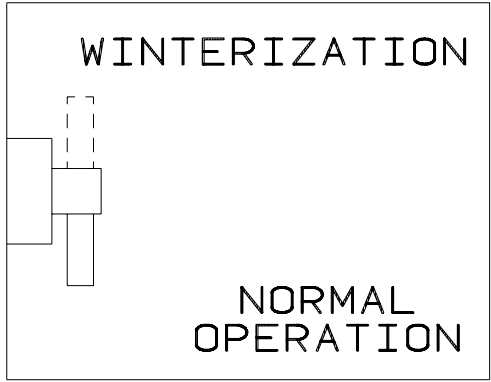
**KEY PART NUMBER U/M DESCRIPTION**  
 133423-01-01A EA LABEL - DRAIN



**LABELS GROUP (CONTINUED)**



**KEY PART NUMBER U/M DESCRIPTION**  
133424-01-01A EA LABEL - BYPASS - WATER HEATER



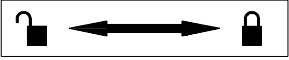
**KEY PART NUMBER U/M DESCRIPTION**  
133425-01-01A EA LABEL - VALVE - WINTERIZATION



**KEY PART NUMBER U/M DESCRIPTION**  
133533-01-01A EA LABEL - JACKS DOWN - CLEAR W/WHITE LETTERING

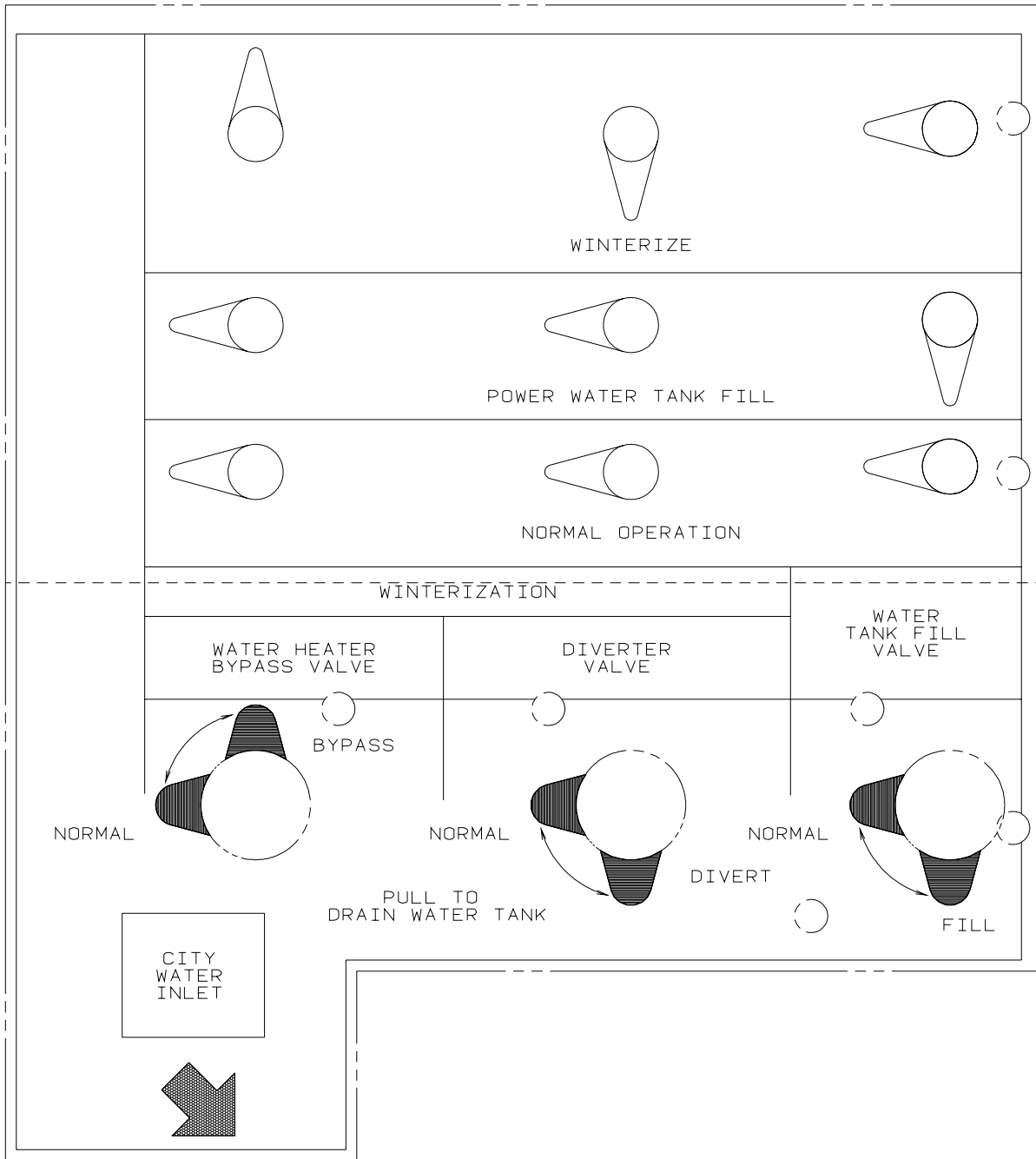


**KEY PART NUMBER U/M DESCRIPTION**  
133533-02-01A EA LABEL - CHECK ANTENNA - CLEAR W/WHITE LETTERING



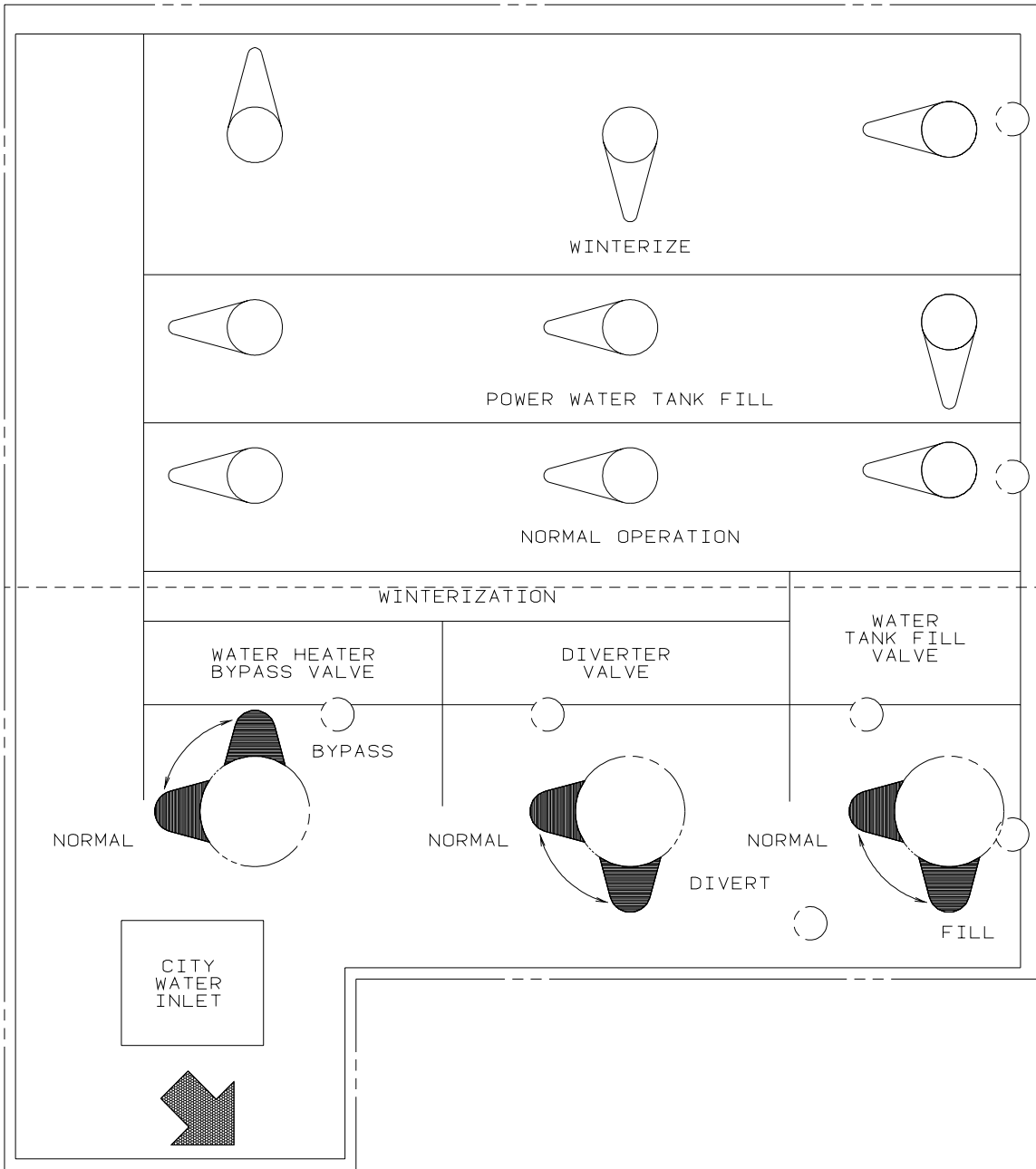
**KEY PART NUMBER U/M DESCRIPTION**  
133533-03-01A EA LABEL - LOCK/UNLOCK - BLACK/WHITE

# LABELS GROUP (CONTINUED)

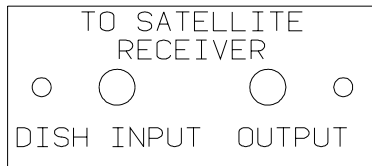


KEY	PART NUMBER	U/M	DESCRIPTION
	133629-01-01A	EA	LABEL - WATER CENTER

## LABELS GROUP (CONTINUED)



KEY	PART NUMBER	U/M	DESCRIPTION
	133629-02-01A	EA	LABEL - WATER CENTER - BLACK/CLEAR



KEY	PART NUMBER	U/M	DESCRIPTION
	134250-01-01A	EA	LABEL - SATELLITE RECEIVER - BLACK/CLEAR

THIS SEAT IS NOT INTENDED  
FOR OCCUPANCY WHEN  
VEHICLE IS IN MOTION

KEY	PART NUMBER	U/M	DESCRIPTION
	134538-01-01A	EA	LABEL - OCCUPANCY - NO SEAT BELT - BLACK ON CLEAR - US

## LABELS GROUP (CONTINUED)

DST ISICE SIEGE N/EST PAS DESTINE A ETRE OCCUPE LORSQUE LE VEHICULE EST IN MOVUEMENT	THIS SEAT IS NOT INTENDED FOR OCCUPANCY WHILE VEHICLE IS IN MOTION
--	--

**KEY PART NUMBER U/M DESCRIPTION**  
134538-02-01A EA LABEL - OCCUPANCY - NO SEAT BELT - BLACK ON CLEAR - CSA

WARNING

IT IS NOT SAFE TO USE COOKING  
APPLICANCES FOR COMFORT HEATING

COOKING APPLICANCES NEED FRESH AIR FOR SAFE OPERATION  
BEFORE OPERATION.

1. OPEN OVERHEAD VENT OR TURN ON EXHAUST FAN AND;  
2. OPEN WINDOW.

**KEY PART NUMBER U/M DESCRIPTION**  
134539-01-01A EA LABEL - WARNING - STOVE/HEATING - US - BLACK ON CLEAR

HOLDING TANK HEATER

TURN OFF WHEN NOT IN USE

SEE OPERATOR'S MANUAL

**KEY PART NUMBER U/M DESCRIPTION**  
134563-01-01A EA LABEL - SWITCH - HEATER

THIS VEHICLE MAY INCLUDE MERCURY-CONTAINING DEVICES INSTALLED BY THE MANUFACTURER:

FLUORESCENT TUBES, RANGES WITH OVEN, HWH LEVEL SENSING UNIT.

REMOVE DEVICES BEFORE VEHICLE DISPOSAL UPON REMOVAL OF  
DEVICES: PLEASE REUSE, RECYCLE, OR DISPOSE AS HAZARDOUS WASTE

135869-01A

**KEY PART NUMBER U/M DESCRIPTION**  
135869-01-01A EA LABEL - MERCURY CONTENT - BLACK ON CLEAR

LIQUID SOAP

**KEY PART NUMBER U/M DESCRIPTION**  
136047-01-01A EA LABEL - LIQUID SOAP

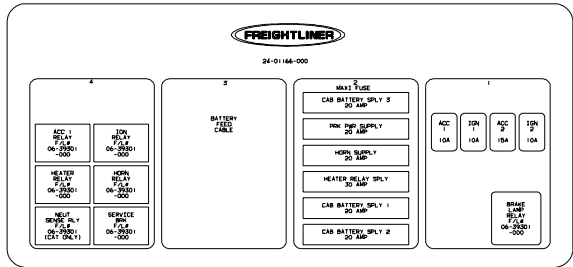
DOOR LOCK	DOOR UNLOCK	RIGHT COMPT DOOR LOCK	RIGHT COMPT DOOR UNLOCK	LEFT COMPT DOOR LOCK	LEFT COMPT DOOR UNLOCK	AUX START SOLENOID	AMP SOURCE
POWER MIRRORS	HEATER BLOWER	PASS HEATER BLOWER	FOG LAMPS	DOCKING LAMPS	DOCKING LAMPS SWITCH TRIGGER	COOLING FANS	

**KEY PART NUMBER U/M DESCRIPTION**  
136161-01-01A EA LABEL - RELAY - MATTE BLACK/WHITE LETTERS

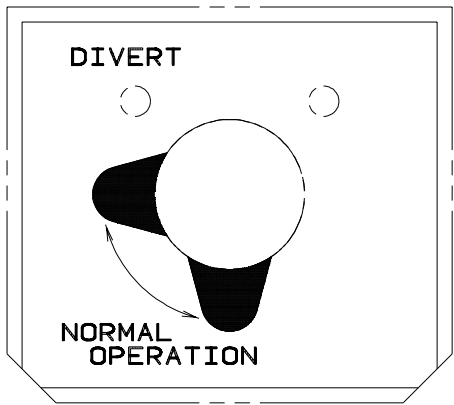
## LABELS GROUP (CONTINUED)



**KEY PART NUMBER**    **U/M DESCRIPTION**  
 136360-01-01A    EA LABEL - AIR BAGS



**KEY PART NUMBER**    **U/M DESCRIPTION**  
 137090-01-000    EA LABEL - ELECTRICAL CENTER



**KEY PART NUMBER**    **U/M DESCRIPTION**  
 137997-01-01A    EA LABEL - WINTERIZATION VALVE - BLACK/CLEAR



**KEY PART NUMBER**    **U/M DESCRIPTION**  
 140190-01-01A    EA DECAL/LOGO - V6 (DOMED) - CYAN/MAGENTA/YELLOW/BLACK

## LABELS GROUP (CONTINUED)

### WARNING

THIS SYSTEM IS DESIGNED FOR USE WITH PROPANE ONLY  
DO NOT CONNECT NATURAL GAS TO THIS SYSTEM

**BEFORE TURNING ON PROPANE:**

- (A) BE CERTAIN APPLIANCES ARE CERTIFIED FOR PROPANE AND ARE EQUIPPED WITH CORRECT BURNING ORIFICES.
- (B) MAKE CERTAIN ALL PROPANE CONNECTIONS ARE TIGHT BY TESTING WITH SOAPY WATER. ALL APPLIANCE VALVES ARE TURNED OFF, AND ANY UNCONNECTED OUTLETS ARE CAPPED.

**AFTER TURNING ON PROPANE:**

- (A) LIGHT ALL PILOT LIGHTS
- (B) (B) ALL CONNECTIONS, INCLUDING THOSE AT THE APPLIANCES, REGULATORS AND CYLINDERS SHOULD BE LEAK-TESTED PERIODICALLY WITH SOAPY WATER BY THE OCCUPANT. NEVER USE A LIGHTED MATCH OR OTHER FLAME WHEN CHECKING FOR LEAKS.
- (C) DO NOT LEAVE SYSTEM TURNED ON OF CONTAINERS CONNECTED UNTIL THE SYSTEM HAS BEEN PROVEN TO BE FREE OF LEAKS.
- (D) COOKING APPLIANCES SHOULD NOT BE USED FOR SPACE HEATING.
- (E) WHEN THE CONTAINERS ARE DISCONNECTED THE PROPANE SUPPLY LINE SHOULD BE CAPPED OR PLUGGED.

### AVERTISSEMENT

CETTE INSTALLATION EST CONÇUE POUR LE PROPANE SEULEMENT  
NE PAS L'ALIMENTER EN GAZ NATUREL

**AVANT LA MISE EN SERVICE:**

- (A) S'ASSURER QUE LES APPAREILS SONT CERTIFIÉS POUR LE PROPANE ET MUNIS D'ORIFICES DE BRULEUR APPROPRIÉS.
- (B) VÉRIFIER L'ÉTANCHEITÉ DE TOUS LES RACCORDEMENTS AU PROPANE, LA PERMÉABILITÉ DE TOUS LES ROBINETS D'APPAREILS ET L'OBTURATION DE TOUTES LES SORTIES NON RACCORDEES.

**APRES LA MISE EN SERVICE:**  
(A) ALLUMER TOUTES LES VEILLEUSES.

- (B) L'OCCUPANT DOIT ÉPROUVER PÉRIODIQUEMENT L'ÉTANCHEITÉ DE TOUS LES RACCORDEMENTS Y COMPRIS CEUX AUX APPAREILS, AUX DÉTENDEURS ET AUX BOUTEILLES, EN Y APPLIQUANT DE L'EAU SAVONNEUSE NE JAMAIS SE SERVIR D'UNE ALLUMETTE OU AUTRE POUR LA DÉTECTION DES FUITES.
- (C) NE PAS LAISSER L'ALIMENTATION OUVERTE NI LES RÉCIPIENTS RACCORDES AVANT D'AVOIR COMPLÉTÉ L'ÉPREUVE D'ÉTANCHEITÉ AU PROPANE DE L'INSTALLATION.
- (D) LES APPAREILS DE CUISSON NE DOIVENT PAS ÊTRE UTILISÉS POUR LE CHAUFFAGE DES LOCAUX.
- (E) LORSQUE LES RÉCIPIENTS SONT DÉCONNECTÉS, L'ALIMENTATION DE PROPANE DOIT ÊTRE OBTURÉE OU SCELLÉE.

**KEY PART NUMBER**      **U/M DESCRIPTION**  
023769-01-000      EA LABEL - WARNING - LPG - CANADIAN

WINNEBAGO	
EMISSION CONTROL INFORMATION	
<b>CATALYST</b>	
ENGINE FAMILY	XXXXXXX
EVAP. FAMILY	XXXXXXX
EXH.EMISSION CONTR.SYST.	SFI/AIR/TWC/HO2S(2)
DISPL 2792 CC	OBD II CERTIFIED
TUNE UP SPECIFICATIONS: NO ADJUSTMENT NEEDED	
CARB EXH.EMISSION STAND.	STANDARD CATEGORY
CERTIFICATION	XXX
IN-USE	XXX
THIS HEAVY DUTY VEHICLE CONFORMS TO U.S. EPA REGULATIONS APPLICABLE TO XXXX MODEL YEAR LIGHT-DUTY TRUCKS UNDER THE SPECIAL PROVISIONS OF 40 CFR XXXXXX, AND IS CERTIFIED TO MEDIUM-DUTY VEHICLE STANDARDS FOR SALE IN CALIFORNIA.	
XXXX	
BAR CODE	

**KEY PART NUMBER**      **U/M DESCRIPTION**  
124709-06-000      EA LABEL - EMISSION CONTROL - DUAL

## LABELS GROUP (CONTINUED)

NORMAL  
OPERATION

KEY	PART NUMBER	U/M	DESCRIPTION
	133424-02-01A	EA	LABEL - NORMAL OPERATION

WTR HTR  
BYPASS

KEY	PART NUMBER	U/M	DESCRIPTION
	133424-03-01A	EA	LABEL - WATER HEATER BYPASS - BLACK/CLEAR

THIS CHAIR IS NOT INTENDED  
FOR OCCUPANCY WHEN VEHICLE  
IS IN MOTION AND MUST BE  
RETURNED TO STOWED POSITION

DTS ISICE SIEGE N/EST PAS  
DESTINE A ETRE OCCUPE LORSQUE  
LE VEHICULE EST IN MOVEMENT  
ET IL FAUT QUE LE RANGER

THIS CHAIR IS NOT INTENDED  
FOR OCCUPANCY WHEN VEHICLE  
IS IN MOTION AND MUST BE  
RETURNED TO STOWED POSITION

KEY	PART NUMBER	U/M	DESCRIPTION
	134537-01-01A	EA	LABEL - OCCUPANCY - CHAIR - US

## LP GROUP

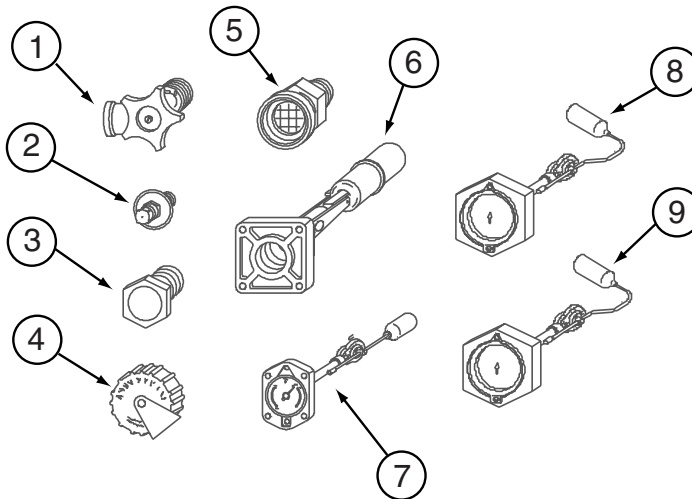
### LP SYSTEM

KEY	PART NUMBER	U/M	DESCRIPTION
	045703-01-000	EA	HOSE - LP - 3/8"ID X 24" - 3/8"MPT X 1/2"F SWIVEL - U.S.
	045703-02-000	EA	HOSE - LP - 3/8"ID X 24" - 3/8"MPT X 1/2"F SWIVEL - CANADA
	045703-03-000	EA	HOSE - LP - 3/8"ID X 18" - 3/8"MPT X 1/2"F SWIVEL - U.S.
	045703-05-000	EA	HOSE - LP - 3/8"ID X 28" - 3/8"MPT X 1/2"F SWIVEL - U.S.
	045703-06-000	EA	HOSE - LP - 3/8"ID X 28" - 3/8"MPT X 1/2"F SWIVEL - CANADA
	105658-01-000	EA	COMPARTMENT - LP REGULATOR
	106150-01-000	EA	REGULATOR - TWO STAGE-W/90 DEGREE ELBOW & 3/8" FPT OUTLET
	040440-03-000	EA	TRANSMITTER - DIAL/SNAP-ON - 0-90 OHM 2 TERM(POWER/GROUND)
*	080450-01-000	EA	TANK-LP - 42 LB - 13" DIAMETER X 24" LONG - <a href="#">322E</a> , <a href="#">322R</a> , <a href="#">324F</a> , <a href="#">324V</a> , <a href="#">329B</a> , <a href="#">329N</a>
*	097821-03-000	EA	TANK - LP - 60 LB - 14" X 30" - <a href="#">331C</a>
	010329-01-000	EA	ADAPTER - BRASS - 1/2"F X 1/2"MPT
	010323-01-000	EA	ADAPTER - BRASS - 3/8"F X 1/2"MPT
	010326-01-000	EA	ADAPTER - FLARE - W/CONE GASKET - 3/8"F X 1/2"F
	024250-01-000	EA	ADAPTER - BRASS - 3/8"F X 1/2"FPT
	057042-01-000	EA	ADAPTER - CROSS 1/2"PIPE
	010377-02-000	EA	NUT - BRASS - 3/8" FLARE - FORGED
	010380-02-000	EA	NUT - BRASS - 1/2" FLARE - FORGED
	010252-01-000	EA	ELBOW - BRASS - 90 DEGREE - 3/8"F X 1/2"MPT
	010265-01-000	EA	ELBOW - BRASS - 90 DEGREE - 3/8"F X 1/2"FPT
	103613-03-000	EA	DETECTOR - LP GAS - W/O SHUT-OFF VALVE
	137828-01-02B	EA	PANEL - ROCKGUARD/LP - E-COATED - <a href="#">324F</a>

\*COMPONENT PARTS LISTED LATER IN THIS GROUP



**LP GROUP (CONTINUED)**  
**COMPONENT PARTS FOR LP SYSTEM**



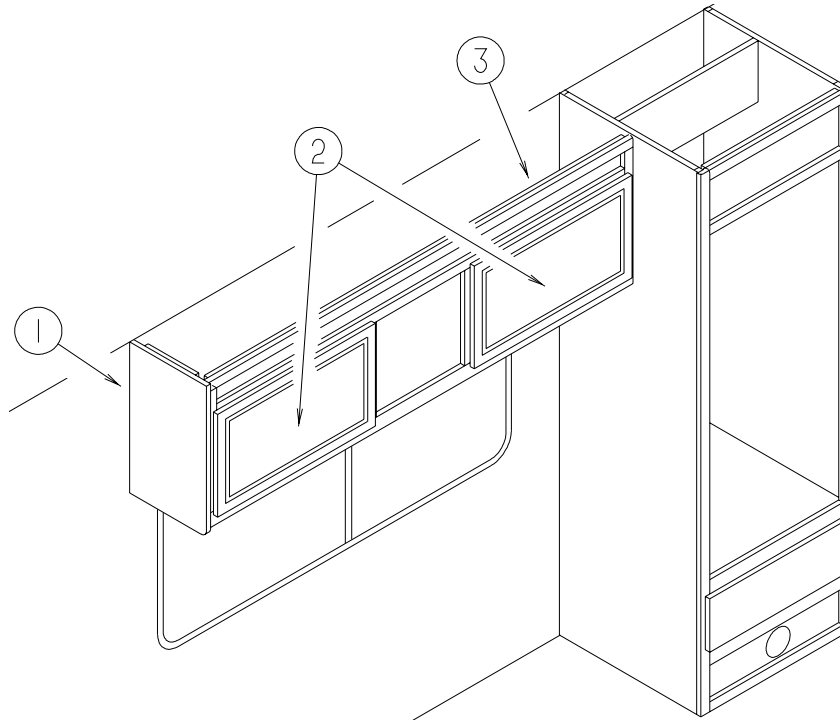
**080450-01-000**

KEY	PART NUMBER	U/M	DESCRIPTION	VENDOR NO.
1	040421-01-708	EA	HANDWHEEL-SERVICE VALVE	G-1015-A
1	040421-01-712	EA	VALVE,SERV. W/O VAPOR RELIEF	29000853
2	040421-01-700	EA	VALVE-LIQUID LEVEL, 20%	G-1013
3	040421-01-713	EA	VALVE-RELIEF 1" W/SPRING 7"	29000587
4	040421-01-702	EA	CAP-FILL VALVE, PLASTIC	G-1014-A
5	040421-01-701	EA	VALVE-FILL-SHORT, LP	7547B
6	040421-01-711	EA	VALVE-80% FILL W/AUTO STOP	LLL/TL3
7			NOT WHAT IS ILLUSTRATED HERE	
8	074142-01-701	EA	FLOAT/BOLT ON-SCREW ON DIAL	13C-BLT
8	080450-01-701	EA	FLOAT/SCREW IN-SNAP ON DIAL	SG13C0001408
9			NOT WHAT IS ILLUSTRATED HERE	
	040421-01-703	EA	VALVE-SERVICE W/VAPOR RELIEF	G-1015
	040421-01-706	EA	DIAL-VISIBLE FACE, LP TANK	MA-8 ROCHST

**097821-03-000**

KEY	PART NUMBER	U/M	DESCRIPTION	VENDOR NO.
1	040421-01-708	EA	HANDWHEEL-SERVICE VALVE	G-1015-A
1	040421-01-712	EA	VALVE,SERV. W/O VAPOR RELIEF	29000853
2	040421-01-700	EA	VALVE-LIQUID LEVEL, 20%	G-1013
3	040421-01-713	EA	VALVE-RELIEF 1" W/SPRING 7"	29000587
3	040421-01-714	EA	VALVE RELIEF 3/4"W/SPRING 7"	LVRF29000400
4	040421-01-702	EA	CAP-FILL VALVE, PLASTIC	G-1014-A
5	040421-01-701	EA	VALVE-FILL-SHORT, LP	7547B
6	040421-01-711	EA	VALVE-80% FILL W/AUTO STOP	LLL/TL3
7	040421-01-707	EA	FLOAT/BOLT ON-SCREW ON DIAL	14C
7	088253-09-700	EA	FLOAT/SCREW IN-SNAP ON DIAL	SG14C0001466
8			NOT WHAT IS ILLUSTRATED HERE	
9			NOT WHAT IS ILLUSTRATED HERE	

## LOUNGE GROUP CABINETS



KEY	PART NUMBER	U/M	DESCRIPTION
1	109908-79-M07	EA	END CAP - OVERHEAD CABINET
2	132141-14-N01	EA	DOOR - RAIL/VENEER - 15.7" X 27.9" - W/O HARDWARE
3	131926-01-N01	EA	CABINET - OVERHEAD - W/O DOORS/HARDWARE

# SEALANTS & FASTENERS GROUP

## SEALANTS & ADHESIVES

KEY	PART NUMBER	U/M	DESCRIPTION
	004001-05-000	EA	ADHESIVE - SCOTCH-WELD - 3M DP100 - CLEAR - 50ML
	004020-01-000	QT	ADHESIVE - ABS CEMENT - QUART
	010405-02-000	EA	TAPE - THREAD SEALING - 3/8"
	034552-15-000	EA	SILICONE - TUBE - W/O NOZZLE - BRIGHT WHITE
	053766-06-000	EA	BEDDING COMPOUND - TUBE - CLEAR
	062917-03-000	EA	ADHESIVE - LOCTITE 242
	063642-01-000	FT	TAPE - ADHESIVE - .4" X 1.5" X 180'
	067788-01-000	EA	ADHESIVE - SPRAY - 3M - 19.5 OZ AEROSOL CAN
	069640-01-000	FT	SEALER - RIBBON - 1/4" DIAMETER X 30' - BLACK
	069640-02-000	FT	SEALER - TAPE - .13"THICK X .5"WIDE X 60' - GRAY
	069640-03-000	FT	SEALER - TAPE - .13"THICK X .75"WIDE X 60' - BLACK
	069640-07-000	FT	SEALER - TAPE - .09" THICK X 2" WIDE X 45' - GRAY
	069640-09-000	FT	SEALER - TAPE - .03" THICK X 2.50"WIDE X 80' - GRAY
	069640-10-000	FT	SEALER - TAPE - .03" THICK X 1.50" WIDE X 90' - GRAY
	069640-11-000	FT	SEALER - TAPE - .19" THICK X .38" WIDE X 40' - BLACK
	069640-13-000	FT	SEALER - TAPE - .03" THICK X 2" WIDE X 45' - BLACK
	069640-14-000	FT	SEALER - TAPE - .06" THICK X 1" WIDE X 100' - GRAY
	069640-15-000	FT	SEALER - TAPE - .06"THICK X .38"WIDE X 100' - GRAY
	069640-17-000	FT	SEALER - TAPE - .03" THICK X 1" WIDE X 90' - GRAY
	069640-18-000	FT	SEALER - TAPE - .50" THICK X .13" WIDE X 60' - BRT WHITE
	069640-19-000	FT	SEALER - TAPE - .75" THICK X .13" WIDE X 60' - BRT WHITE
	069640-20-000	FT	SEALER - TAPE - .50" THICK X 1/8" WIDE X 60' - BLACK
	069640-21-000	FT	SEALER - TAPE - .50" THICK X 1/16" WIDE X 100'-BRIGHT WHT
	069640-22-000	FT	SEALER - TAPE - .25" THICK X 1/32" WIDE X 100'- BRIGHT WHT
	069640-23-000	FT	SEALER - TAPE - .06" THICK X 3/4" WIDE X 100' - BRT WHITE
	069640-25-000	FT	SEALER - TAPE - .06" THICK X 3.5" WIDE X 50' - GRAY
	069640-27-000	FT	SEALER - TAPE - .06" THICK X 2.25" WIDE - BRIGHT WHITE
	069640-28-000	FT	SEALER - TAPE - 1/32" X 2"
	072889-01-000	EA	SEALANT - URETHANE - BLACK - TUBE
	076322-01-000	FT	TAPE-DOUBLE COATED/ADHESIVE BK-.03"THK X .8"W X 216'- WHT
	076322-02-000	FT	TAPE-DOUBLE COATED/ADHESIVE BK-.05"THK X 1"W X 108' - WHT
	076322-03-000	FT	TAPE-DOUBLE COATED/ADHESIVE BK-.05"THK X .5"W X 108' - WHT
	076322-04-000	FT	TAPE-DOUBLE COATED/ADHESIVE BK-.05"THK X .8"W X 108' - WHT
	076322-05-000	FT	TAPE-DOUBLE COATED/ADHESIVE BK-.05"THK X .8"W X 108' - WHT
	076322-07-000	FT	TAPE-DOUBLE COATED/ADHESIVE BK-.05"THK X .5"W X 200' - BLK
	076322-11-000	FT	TAPE-DOUBLE COATED/ADHESIVE BK-.02"THK X 1"W X 216' - CLR
	086276-01-000	EA	TAPE - DOUBLE SIDED - 1/2" WIDE X 108' LONG (SOLD BY ROLL)
	088479-01-000	EA	TAPE - ALUMINUM - 3"
	090340-01-000	FT	SEAL - FOAM - CLOSED CELL - 1/4" X 1/2" X 50'
	091255-02-000	FT	SEAL - ADHESIVE BACKED/FOAM - 3/64" THICK X 3/16"W X 1000'
	091255-03-000	FT	SEAL - ADHESIVE BACKED/FOAM - 1/4" THICK X 1/4"W X 1000'
	094401-03-000	EA	SEALER - BODY SEAM - BLACK
	094401-04-000	EA	SEALER - BODY SEAM - CLEAR
	098408-01-000	FT	SEAL - SPONGE RUBBER - CLOSED CELL
	099069-01-000	FT	SEAL - RUBBER - CLOSED SPONGE - .5" WIDE X .12" THICK -BLK
	099418-01-000	FT	SEAL - D-SECTION/ADHESIVE BACK - .44" X .44"- BLK RUBBER
	099418-02-000	FT	SEAL - D SECTION - WHITE
	099952-01-000	FT	CORE - SEAL - BULB SUPPORT
	100128-02-000	FT	SEAL - FOAM/ADHESIVE BACK - .37" WIDE X .37" THICK
	104692-01-000	FT	SEAL - ADHESIVE BACKED FOAM - 3/4" THICK X 3/4" WIDE X 25'
	104692-03-000	FT	SEAL - ADHESIVE BACKED FOAM - 1" THICK X 1 3/4" WIDE X 15'
	106206-01-000	EA	SEALER - PUMPABLE - TUBE - BLACK - MANUS
	107828-01-000	EA	SEALANT - SB - 190 EVERSEAL
	109506-12-000	EA	FILM/ABRASION-RESISTANT - TRANSPARENT - 1" DIA.
	110274-01-000	FT	TAPE - DOUBLE SIDED/FOAM - .45" X 1" X 216' - BLACK
	112864-01-000	FT	SEAL - FOAM/BUTYL COVERED - 3/8" X 35'
	112864-02-000	FT	FOAM - BUTYL COVERED 5/16" X 44'
	112901-02-000	EA	ADHESIVE - PLEXUS - MA330 - 50ML - GRAY
	112901-03-000	EA	ADHESIVE - PLEXUS - MA300 - 50ML - WHITE
	112902-01-000	EA	NOZZLE - ELEMENT - 3/8 X 24
	112902-02-000	EA	NOZZLE-BELL 3/8X24 - TAH 160-824
	112902-03-000	EA	MIXER NOZZLE - F/GUN #00400102000 - SCOTCH-WELD & PLEXUS
	113366-01-000	EA	ADHESIVE - INSTANT - 1 OZ

**SEALANTS & FASTENERS GROUP (CONTINUED)**  
**SEALANTS & ADHESIVES (CONTINUED)**

KEY	PART NUMBER	U/M	DESCRIPTION
	113452-02-000	FT	SEAL/TRIM - FRONT - VINYL W/WIRE CARRIER - .027"
	120074-02-03A	EA	SILICONE - TUBE - W/O NOZZLE - SMOKEY WHITE
	120074-02-02A	EA	SILICONE - TUBE - W/O NOZZLE - LOW ODOR - SOFT WHITE
	120534-01-01A	EA	TAPE - SCOTCH - 3M - 1/2" FINE LINE
	123244-01-000	FT	TAPE - DOUBLE SIDED/FOAM - 5/64" THICK X 3/4" WIDE
	123244-02-000	FT	TAPE - DOUBLE SIDED/FOAM - 5/64" THICK X 1/2" WIDE X 108'
	123816-01-000	FT	TAPE - DOUBLE SIDED - 1" X 100'
	123816-02-000	FT	TAPE - DOUBLE SIDED - 1/2" X 1 1/3" X 100'
	123816-03-000	FT	TAPE - DOUBLE SIDED - 1/2" X 3/4" X 100'
	123816-04-000	FT	TAPE - DOUBLE SIDED - 6" X 750'
	126427-01-000	EA	ADHESIVE - ALL PURPOSE - ABS/PVC
	126427-02-000	EA	PRIMER - CLEANER - FLEX PIPING
	131264-01-01A	EA	SILICONE - TUBE - W/O NOZZLE - BLACK
	131264-01-02A	EA	SILICONE - TUBE - W/O NOZZLE - CLEAR
	131264-02-01A	EA	SILICONE - TUBE - W/O NOZZLE - VW GRAY - BATH ONLY
	131264-03-01A	EA	SILICONE - TUBE - W/O NOZZLE- SELF LEVELING - BRIGHT WHITE
	131264-04-01A	EA	SILICONE - CLEAR - ADHESIVE
	131384-01-000	EA	ADHESIVE - JETWELD
	900390-01-000	EA	NOZZLE - SILICONE TUBE - 2.5" LONG
	900390-03-000	EA	NOZZLE - SILICONE TUBE - 4.3" LONG

**BOLTS, NUTS AND WASHERS**

KEY	PART NUMBER	U/M	DESCRIPTION
	000C12-04-08B	EA	BOLT - HEX - 1/4-20 X 1/2 - GRADE #5 - ZINC
	000C12-04-40B	EA	BOLT - HEX - 1/4-20 X 2 1/2 - GRADE 5 ZINC
	000C12-05-16B	EA	BOLT - HEX - 5/16-18 X 1 - GRADE #5 - ZINC
	000C12-05-12B	EA	BOLT - HEX - 5/16-18 X 3/4 - GRADE #5 - ZINC
	000C12-06-16B	EA	BOLT - HEX - 3/8-16 X 1 - GRADE #5 - ZINC
	000C12-06-44B	EA	BOLT - HEX - 3/8-16 X 2 3/4 - GRADE 5 - ZINC
	000C12-07-20B	EA	BOLT - HEX - 7/16-14 X 1 1/4 - GRADE #5 - ZINC
	000C12-07-24B	EA	BOLT - HEX TAP - 1/2-13NC X 4 - GRADE 5 - FULL THREAD/ZINC
	000C12-08-16B	EA	BOLT - HEX - 1/2-13 X 1 - GRADE #5 - ZINC
	000C12-08-28B	EA	BOLT - HEX - 1/2-13 X 1 3/4 - GRADE #5 - ZINC
	000C12-08-24B	EA	BOLT - HEX - 1/2-13 X 1 1/2 - GRADE #5 - ZINC
	000C12-10-24B	EA	BOLT - HEX - 5/8-11 X 1 1/2 - GRADE #5 - ZINC
	000C13-07-40B	EA	BOLT - HEX - 7/16-20 X 2 1/2 - GRADE #5 - ZINC
	000C13-07-48B	EA	BOLT - HEX - 7/16-20 X 3 - GRADE #5 - ZINC
	000C14-07-28B	EA	BOLT - HEX - 7/16-14 X 1 3/4 - GRADE #8 - ZINC
	000C14-08-64B	EA	BOLT-HEX-1/2-13X4 ZN 8 - 01 431C
	000C14-10-32K	EA	BOLT - HEX - 5/8-11 X 2 - GRADE #8 - ZINC
	000C14-10-24K	EA	BOLT - HEX - 5/8-11 X 1 1/2 - GRADE #8 - ZINC
	000C18-05-40A	EA	BOLT - ELEVATOR - 5/16-18 X 2 1/2 - PL
	000C18-06-48B	EA	BOLT - ELEVATOR - 3/8-16 X 3 - GRADE 5 - ZINC
	000C26-04-14B	EA	BOLT - HEX - SERRATED FLANGE - 1/4-20 X 7/8 - ZINC
	000C26-04-10B	EA	BOLT - HEX - SERRATED FLANGE - 1/4-20 X 5/8 - ZINC
	000C26-04-18B	EA	BOLT - HEX - SERRATED FLANGE - 1/4-20 X 1 1/8 - ZINC
	000C26-05-20B	EA	BOLT - HEX - SERRATED FLANGE - 5/16-18 X 1 1/4 - ZINC
	000C26-05-12B	EA	BOLT - HEX - SERRATED FLANGE - 5/16-18 X 3/4 - ZINC
	000C26-05-249	EA	BOLT - HEX - SERRATED FLANGE - 5/16-18 X 1 1/2
	000C26-06-16B	EA	BOLT - HEX - SERRATED FLANGE - 3/8-16 X 1 - ZINC
	000C26-06-12B	EA	BOLT - HEX - SERRATED FLANGE - 3/8-16 X 3/4 - ZINC
	000C26-06-20B	EA	BOLT - HEX - SERRATED FLANGE - 3/8-16 X 1 1/4 - ZINC
	000C26-06-40B	EA	BOLT - HEX - SERRATED FLANGE - 3/8-16 X 2 1/2 - ZINC
	000C26-06-28B	EA	BOLT - HEX - SERRATED FLANGE - 3/8-16 X 1 3/4 - ZINC
	000C26-08-24B	EA	BOLT - HEX - SERRATED FLANGE - 1/2-13 X 1 1/2 - ZINC
	000C27-04-40B	EA	BOLT - CARRIAGE - 1/4-20 X 2 1/2 - ZINC
	000C27-05-44I	EA	BOLT-CARR,5/16-18X2.75" - BLACK ZINC
	000D16-07-00B	EA	NUT - HEX - 7/16-14 - ZINC
	000D24-10-00B	EA	NUT - HEX - SELF LOCKING - 10-32 ZINC
	000D28-10-00B	EA	NUT - HEX - W/NYLON LOCK - 10-32 ZINC
	000D29-04-00B	EA	NUT - HEX - SELF LOCKING - 1/4 X 20 - ZINC
	000D29-06-00B	EA	NUT - HEX - W/NYLON LOCK - 3/8-16 - ZINC
	000D29-09-00B	EA	NUT - HEX - SELF LOCKING - 9/16-12 - ZINC

**SEALANTS & FASTENERS GROUP (CONTINUED)**  
**BOLTS, NUTS AND WASHERS (CONTINUED)**

<b>KEY</b>	<b>PART NUMBER</b>	<b>U/M</b>	<b>DESCRIPTION</b>
	000D30-07-00B	EA	NUT - HEX LOCK - NYLON 7/16 X 20
	000D34-04-00B	EA	NUT - HEX - LOCKING - 1/4-20 - ZINC
	000D34-06-00B	EA	NUT - HEX - LOCKING - 3/8-16 GRADE C - ZINC
	000D39-04-00B	EA	NUT - HEX - LOCKING W/SERRATED FLANGE - 1/4-20 - ZINC
	000D39-05-00B	EA	NUT - HEX - LOCKING W/SERRATED FLANGE - 5/16-18 - ZINC
	000D39-06-00D	EA	NUT - HEX - LOCKING W/SERRATED FLANGE - 3/8"-16 BLACK
	000D39-06-00B	EA	NUT - HEX - LOCKING W/SERRATED FLANGE - 3/8-18 - ZINC
	000D39-07-00B	EA	NUT - HEX - LOCKING W/SERRATED FLANGE - 7/16-14 - ZINC
	000D39-08-00B	EA	NUT - HEX - LOCKING W/SERRATED FLANGE - 1/2-13 - ZINC
	000D44-04-00B	EA	NUT - HEX - LOCKING W/SERRATED FLANGE - 1/4-28 - ZINC
	000D44-07-00B	EA	NUT - HEX - LOCKING W/SERRATED FLANGE - 7/16-20 - ZINC
	000D44-08-00B	EA	NUT - HEX - SERRATED FLANGE - 1/2-20 - GRADE #5 - ZINC
	000D46-04-00A	EA	NUT - HEX - WELD - 1/4-20 - PLAIN
	000D58-06-00A	EA	NUT - HEX - WELD 3/8-16 - PLAIN
	000D65-08-00B	EA	NUT - HEX - LOCKING W/SERRATED FLANGE - 8-32 - ZINC
	000D67-10-00B	EA	NUT - HEX - LOCK - 5/8-11 - ZINC
	000D73-08-00C	EA	NUT - HEX FLANGE - 1/2-13
	000D75-09-00B	EA	NUT - HEX LOCKING - 9/16-12 - ZINC
	000D76-06-00B	EA	NUT - HEX FLANGE - 3/8-16
	000E11-04-00F	EA	WASHER - LOCKING - 1/4 MED SPLIT - STAINLESS STEEL
	000E11-07-00B	EA	WASHER - LOCKING - 7/16 MED SPLIT - ZINC
	000E11-08-00B	EA	WASHER - LOCKING - 1/2 MED SPLIT - ZINC
	000E13-17-00B	EA	WASHER - FLAT - 3/8 AR - ZINC
	000E13-18-00B	EA	WASHER - FLAT - 3/8 WIDE - ZINC
	000E13-20-00B	EA	WASHER - FLAT - 7/16 WIDE - ZINC
	000E13-22-00B	EA	WASHER - FLAT - 1/2 WIDE - ZINC
	000E13-26-00B	EA	WASHER - FLAT - 5/8 WIDE - ZINC
	000E14-10-00B	EA	WASHER - LOCKING - #10 EXTERNAL TOOTH - ZINC
	000E16-10-00B	EA	WASHER - HARDENED - 5/8 - FLAT - ZINC
	000G45-05-16B	EA	BOLT - LAG - 5/16-9 X 1 - ZINC
	000G62-08-24B	EA	SCREW - SF/DR - 8-18 X 1 1/2 PFH
	040921-03-000	EA	NUT - SPEED - U TYPE - #10
	040921-04-000	EA	NUT - SPEED - U TYPE - #8-.59" LENGTH X .44" WIDTH
	040921-05-000	EA	NUT - SPEED - U-TYPE - 8-.67" X .44" WIDE
	041322-01-000	EA	WASHER - FLANGE - 15/32 ID X 2 3/8 OD - F/SEAT BELT MTG
	044364-02-000	EA	NUT - SPEED - FLAT - ROUND
	044533-01-000	EA	WASHER - PLASTIC - 1 3/8 OD - FOR BUTTONS
	051387-06-000	EA	BOLT - CARRIAGE W/O HOLE - 5/16-18 X 9 1/2 - ZINC
	058716-02-000	EA	WASHER - FLAT NYLON
	058716-03-000	EA	WASHER - FLAT/NYLON - .500 X 1 1/4 X 060
	064081-03-000	EA	NUT - WING 3/8-16 - W/WELD NUT
	077071-01-000	EA	WASHER - FENDER - 3/16 ID X 1 OD
	084406-01-000	EA	NUT - CAPPED - CROSS RECESSED - BLACK - 1/4-20 THD
	087234-01-000	EA	NUT - JACK - 1/4 X 20 THD - MOLLY
	087718-01-000	EA	MONOBOLT - STEEL - 3/16 DIAMETER
	088787-12-000	EA	STUD - WELD - 1/4 - 20 X 1.0 LG - MN
	102333-01-06A	EA	BOLT - CARRIAGE - 7/16-14 STAINLESS STEEL CAP
	102333-02-01A	EA	BOLT - CARRIAGE - 1/4-20
	102540-02-000	EA	SEAL - SCREW
	103020-02-000	EA	BOLT-U - #8-32 - GRADE 5 ZINC
	104369-01-000	EA	NUT - HEX - HEAVY - 5/8-11 UNC
	106166-01-000	EA	BOLT/COLLARED HANGER - 8-32 X 1
	106956-03-000	EA	BOLT - HEX TAP - 1/2-12NC X 3 - GRADE 5 - FULL THREAD/ZINC
	106956-08-000	EA	BOLT - HEX TAP - 1/2-13NC X 4 - GRADE 5 - FULL THREAD/ZINC
	107397-01-000	EA	WASHER - FENDER - 3/4 ID X 1 OD
	108067-03-000	EA	STUD - WELD - 1/4 - 20 X 1/2 CD
	109917-01-000	EA	WASHER - 1.5" X 1.25"
	109917-03-000	EA	WASHER - 1" X .50"
	109917-04-000	EA	WASHER - 1" X .75"
	113985-02-000	EA	BOLT - FLANGE - M10-1 1/2 X 30CL 10.9
	114259-05-000	EA	BOLT - 7/16-20 X 1 1/4 W/WASHER
	120506-01-01A	EA	RIVET - PLASTIC - 3/16 DIAMETER
	128444-01-000	EA	WASHER - SPRING - CONICAL

# SEALANTS & FASTENERS GROUP (CONTINUED)

## SCREWS

KEY	PART NUMBER	U/M	DESCRIPTION
	0G1106-08-240	EA	SCREW - 6-20 X 1/2 PPH - VW LIGHT GRAY
	0G1108-12-240	EA	SCREW - 8-18 X 3/4 PPH - VW LIGHT GRAY
	0G1208-12-170	EA	SCREW - 8-18 X 3/4 POH - BRIGHT WHITE
	0G1308-10-240	EA	SCREW - 8-18 X 5/8 PFH - VW LIGHT GRAY
	0G3804-22-180	EA	SCREW - MACHINE - 1/4-20 X 1 3/8 PFH - BLACK
	0G3908-08-160	EA	SCREW - SF/DR - 8-18 X 1/2 PPH - VW WHITE
	0G3908-08-170	EA	SCREW - SF/DR - 8-18 X 1/2 PPH - BRIGHT WHITE
	0G3908-12-240	EA	SCREW - SF/DR - 8-18 X .75 PPH - VW LIGHT GRAY
	0G3908-12-250	EA	SCREW - SF/DR - 8-18 X 3/4 PPH - DARK GRAY
	0G3908-24-170	EA	SCREW - SF/DR - 8-18 X 1 1/2 PPH - BRIGHT WHITE
	0G3910-10-240	EA	SCREW - SF/DR - 10-16 X 5/8 PPH - VW LIGHT GRAY
	0G3910-10-320	EA	SCREW - SF/DR - 10-16 X 5/8 PPH - GLACIER
	0G3910-10-330	EA	SCREW - SF/DR - 20-16 X 5/8 PPH - PUTTY
	0G3910-12-170	EA	SCREW - SF/DR - 10-16 X 3/4 PPH - BRIGHT WHITE
	0G3910-12-320	EA	SCREW - SF/DR - 10-16 X .75 PPH - GLACIER
	0G5508-08-250	EA	SCREW - SF/DR - 8-18 X 1/2 PWH - VW DARK GRAY
	0G5508-12-170	EA	SCREW - SF/DR - 8-18 X 3/4 PWH - BRIGHT WHITE
	0G5508-12-240	EA	SCREW - SF/DR - 8-18 X 3/4 PWH - VW LIGHT GRAY
	0G5508-12-330	EA	SCREW - SF/DR - 8-18 X 3/4 PWH - PUTTY
	0G5508-12-320	EA	SCREW - SF/DR - 8-18 X 3/4 PWH - GLACIER
	0G5508-16-260	EA	SCREW - SF/DR - 8-18 X 1 PWH ZINC - INTERIOR ANTELOPE
	0G5508-16-250	EA	SCREW - SF/DR - 8-18 X 1 PWH - VW DARK GRAY
	0G5508-16-310	EA	SCREW - SF/DR - 8-18 X 1 PWH - CADDY CREAM
	0G5508-16-330	EA	SCREW - SF/DR - 8-18 X 1 PWH - PUTTY
	0G6008-16-170	EA	SCREW - SF/DR - 8-18 X 1 POH - BRIGHT WHITE
	0G6710-08-110	EA	SCREW - 10-12 X 1/2 PPH - HAMPTON TAN
	0G6710-08-240	EA	SCREW - 10-12 X 1/2 PPH TAUPE - VW LIGHT GRAY
	0G6710-08-170	EA	SCREW - 10-12 X 1/2 PPH - BRIGHT WHITE
	0G6710-12-170	EA	SCREW - 10-12 X 3/4 PPH - BRIGHT WHITE
	0G6806-16-170	EA	SCREW - 6-18 X 1 POH - BRIGHT WHITE
	0G6810-24-280	EA	SCREW - 10-12 X 1 1/2 POH - SOFT WHITE
	000C20-05-28F	EA	SCREW - 5/16-18 X 1 3/4 FLAT SOC - STAINLESS STEEL
	000C20-06-24T	EA	SCREW - 3/8-16 X 1 1/2 - FLAT SOCKET
	000G11-06-24B	EA	SCREW - 6-20 X 1 1/2 PPH ZINC
	000G11-06-10J	EA	SCREW - 6-20 X 5/8 PPH - BRASS
	000G11-06-10B	EA	SCREW - 6-20 X 5/8 PPH - ZINC
	000G11-06-08B	EA	SCREW - 6-20 X 1/2 PPH - ZINC
	000G11-06-06B	EA	SCREW - 6-20 X 3/8 PPH - ZINC
	000G11-07-08B	EA	SCREW - 7-19 X 1/2 PPH - ZINC
	000G11-08-20B	EA	SCREW - 8-18 X 1 1/4 PPH - ZINC
	000G11-08-20G	EA	SCREW - 8-18 X 1 1/4 - ANTIQUE BRASS
	000G11-08-16B	EA	SCREW - 8-18 X 1 PPH - ZINC
	000G11-08-12T	EA	SCREW - 8-18 X 3/4 PPH - BLACK MAGNESIUM
	000G11-08-12P	EA	SCREW - 8-18 X 3/4 PPH - DARK BROWN
	000G11-08-12D	EA	SCREW - 8-18 X 3/4 PPH - BLACK PHOSPHATE
	000G11-08-12B	EA	SCREW - 8-18 X 3/4 PPH - ZINC
	000G11-08-08T	EA	SCREW - 8-18 X 1/2 PPH - FLUOROCARBON COATING
	000G11-08-06J	EA	SCREW - 8-18 X 3/8 PPH BRASS
	000G11-08-06B	EA	SCREW - 8-18 X 3/8 PPH - ZINC
	000G11-10-12S	EA	SCREW - 10-16 X 3/4 PPH - OFF WHITE
	000G11-10-12D	EA	SCREW - 10-16 X 3/4 PPH - BLACK
	000G12-06-08T	EA	SCREW - 6-20 X 1/2 POH - BLACK
	000G12-08-12S	EA	SCREW - 8-18 X 3/4 POH - OFF WHITE
	000G13-05-10B	EA	SCREW - 5-12 X 5/8 PFH - ZINC
	000G13-06-08B	EA	SCREW - 6-20 X 1/2 PFH - ZINC

**SEALANTS & FASTENERS GROUP (CONTINUED)**  
**SCREWS (CONTINUED)**

KEY	PART NUMBER	U/M	DESCRIPTION
	000G13-06-06I	EA	SCREW - 6-20 X 3/8 PFH - BLACK ZINC
	000G13-06-24J	EA	SCREW - 6-20 X 1 1/2 PFH - BRASS
	000G13-06-16J	EA	SCREW - 6-20 X 1 PFH - BRASS
	000G13-06-16S	EA	SCREW - 6-20 X 1 PFH - OFF WHITE
	000G13-06-10J	EA	SCREW - 6-20 X 5/8 PFH - BRASS
	000G13-06-10G	EA	SCREW - 6-20 X 5/8 PFH - ANTIQUE BRASS
	000G13-06-08G	EA	SCREW - 6-20 X 1/2 PFH - ANTIQUE BRASS
	000G13-07-12B	EA	SCREW - 7-19 X 3/4 PFH - ZINC
	000G13-07-10H	EA	SCREW - 7-19 X 5/8 PFH - BLACK
	000G13-08-24B	EA	SCREW - 8-18 X 1 1/2 PFH - ZINC
	000G13-08-16B	EA	SCREW - 8-18 X 1 PFH - ZINC
	000G13-08-109	EA	SCREW - 8-18 X 5/8 PFH
	000G16-04-24B	EA	SCREW - MACHINE - 1/4-20 X 1 1/2 PPH
	000G18-08-16B	EA	SCREW - MACHINE - 8-32 X 1 PPH - ZINC
	000G18-08-24B	EA	SCREW - MACHINE - 8-32 X 1 1/2 PPH - ZINC
	000G18-08-22B	EA	SCREW - MACHINE - 8-32 X 1 3/8 PPH - ZINC
	000G18-08-12B	EA	SCREW - MACHINE - 8-32 X 3/4 PPH - ZINC
	000G19-10-08B	EA	SCREW - MACHINE - 10-32 X 1/2 PPH - ZINC
	000G19-10-20B	EA	SCREW - MACHINE - 10-32 X 1 1/2 PPH - ZINC
	000G19-10-12F	EA	SCREW - MACHINE - 10-32 X 3/4 PPH - STAINLESS STEEL
	000G19-10-10B	EA	SCREW - MACHINE - 10-32 X 5/8 - PPH - ZINC
	000G32-10-06B	EA	SCREW - 10-32 X 3/8 PPH - ZINC
	000G37-08-089	EA	SCREW - 8 X 18 X 1/2 PPH - FLUOROCARBON SILVER
	000G39-06-10T	EA	SCREW - SF/DR - 6-20 X 5/8 PPH - BLACK
	000G39-06-16T	EA	SCREW - SF/DR - 6-20 X 1 PPH - BLACK
	000G39-08-08B	EA	SCREW - SF/DR - 8-18 X 1/2 PPH - ZINC
	000G39-08-06B	EA	SCREW - SF/DR - 8-18 X 3/8 PPH - ZINC
	000G39-08-32B	EA	SCREW - SF/DR - 8-18 X 2 PPH - ZINC
	000G39-08-24T	EA	SCREW - SF/DR - 8-18 X 1 1/2 PPH - BLACK
	000G39-08-24B	EA	SCREW - SF/DR - 8-18 X 1 1/2 PPH - ZINC
	000G39-08-16T	EA	SCREW - SF/DR - 6-20 X 1 PPH - BLACK
	000G39-08-16B	EA	SCREW - SF/DR - 8-18 X 1 PPH - ZINC
	000G39-08-12T	EA	SCREW - SF/DR - 8-18 X 3/4 PPH - BLACK
	000G39-08-12B	EA	SCREW - SF/DR - 8-18 X 3/4 PPH - ZINC
	000G39-08-08T	EA	SCREW - SF/DR - 8-18 X 1/2 PPH - BLACK
	000G39-08-08S	EA	SCREW - SF/DR - 8-18 X 1/2 PPH - OFF WHITE
	000G39-10-088	EA	SCREW - SF/DR - 10-16 X 1/2 PPH - FLEX FLUOROCARBON
	000G39-10-08B	EA	SCREW - SF/DR - 10-16 X 1/2 PPH - ZINC
	000G39-10-12B	EA	SCREW - SF/DR - 10-16 X 3/4 PPH - ZINC
	000G39-10-10T	EA	SCREW - SF/DR - 10-16 X 5/8 - BLACK
	000G39-10-10B	EA	SCREW - SF/DR - 10-16 X 5/8 - ZINC
	000G39-10-48B	EA	SCREW - SF/DR - 10-16 X 3 - PPH - ZINC
	000G39-10-40D	EA	SCREW - SF/DR - 10-16 X 2 1/2 PPH - BLACK
	000G39-10-32I	EA	SCREW - SELF TAPPING - 10-16 X 2 PPH - BLACK
	000G39-10-32B	EA	SCREW - SF/DR - 10-16 X 2 - PPH - ZINC
	000G39-10-209	EA	SCREW - SF/DR - 10-16 X 1 1/4 PPH - FLUOROCARBON SILVER
	000G39-10-20T	EA	SCREW - SF/DR - 10-16 X 1 1/4 PPH - BLACK
	000G39-10-20B	EA	SCREW - SF/DR - 10-16 X 1 1/4 PPH - ZINC
	000G39-10-169	EA	SCREW - SF/DR - 10-16 X 1 PPH - FLUOROCARBON SILVER
	000G39-10-129	EA	SCREW - SF/DR - 10-16 X 3/4 PPH - FLUOROCARBON SILVER
	000G39-10-12T	EA	SCREW - SF/DR - 10-16 X 3/4 - BLACK
	000G39-10-12S	EA	SCREW - SF/DR - 10-16 X 3/4 PPH - OFF WHITE
	000G39-12-12E	EA	SCREW - SF/DR - 12-14 X 3/4 PPH - CHROME
	000G42-04-24B	EA	SCREW - SF/DR - 1/4-14 X 1 1/2 - ZINC
	000G42-04-16B	EA	SCREW - SF/DR - 1/4-14 X 1 HWH - ZINC
	000G50-04-12B	EA	SCREW - MACHINE - 1/4-20 X 3/4 PPH - ZINC
	000G50-04-06B	EA	SCREW - MACHINE - 1/4-20 X 3/8 PTH - ZINC
	000G51-06-12B	EA	SCREW - 6-20 X 3/4 PTH - ZINC
	000G52-06-06B	EA	SCREW - MACHINE - 6-32 X 3/8 PTN - ZINC
	000G52-06-05B	EA	SCREW - MACHINE - 6-32 X 5/16 PTH ZINC
	000G55-08-16T	EA	SCREW - SF/DR - 8-18 X 1 PWH - BLACK
	000G55-08-12S	EA	SCREW - SF/DR - 8-18 X 3/4 PWH - OFF WHITE
	000G56-12-48B	EA	SCREW - WOOD - 12-11 X 3 POH - SPECIAL HARDENED

**SEALANTS & FASTENERS GROUP (CONTINUED)**  
**SCREWS (CONTINUED)**

KEY	PART NUMBER	U/M	DESCRIPTION
	000G57-14-72B	EA	SCREW-14-10-X4-1/2 PFH ZN            GENERAL MOTORHOMES
	000G57-14-64B	EA	SCREW - 14-10 X 4 PFH ZINC
	000G60-08-22B	EA	SCREW - SF/DR - 8-18 X 1.38 POH - ZINC
	000G60-08-20F	EA	SCREW - SF/DR - 8-19X1.25 POH
	000G60-08-16E	EA	SCREW - SF/DR - 8-1 X 1 POH - CHROME
	000G60-10-20B	EA	SCREW - SF/DR - 10-16 X 1 1/4 POH - ZINC
	000G60-10-28T	EA	SCREW - SF/DR - 10-16 X 1 3/4 - BLACK
	000G60-10-209	EA	SCREW - SF/DR - 10-16 X 1 1/4 POH - SILVER STALGAARD
	000G67-08-32B	EA	SCREW - 8-15 X 2 PPH - ZINC
	000G67-10-08B	EA	SCREW - 10-12 X 1/2 PPH - ZINC
	000G67-10-10S	EA	SCREW - 10-12 X 5/8 PPH - OFF WHITE
	000G67-10-10P	EA	SCREW - 10-12 X 5/8 PPH - DARK BROWN
	000G67-10-10B	EA	SCREW - 10-12 X 5/8 PPH - ZINC - TYPE A
	000G67-10-08S	EA	SCREW - 10-12 X 1/2 PPH - OFF WHITE
	000G67-10-32B	EA	SCREW - 10-12 X 2 PPH - ZINC
	000G67-10-24B	EA	SCREW - 10-12 X 1 1/2 PPH - ZINC
	000G67-10-20D	EA	SCREW - 10-12 X 1 1/4 PPH - BLACK
	000G67-10-16B	EA	SCREW - 10-12 X 1 PPH - ZINC
	000G67-10-12P	EA	SCREW - 10-12 X 3/4 PPH - DARK BROWN
	000G67-10-12B	EA	SCREW - 10-12 X 3/4 PPH - ZINC
	000G67-10-10T	EA	SCREW - 10-12 X 5/8 PPH - BLACK
	000G68-06-10G	EA	SCREW - 6-18 X 5/8 POH - ANTIQUE BRASS
	000G68-06-12J	EA	SCREW - 6-18 X 3/4 POH - BRASS
	000G68-06-12B	EA	SCREW - 6-18 X 3/4 POH - ZINC & CLEAR
	000G68-06-10J	EA	SCREW - 6-18 X 5/8 POH - BRASS
	000G68-10-20I	EA	SCREW - 10-12 X 1 1/4 POH - BLACK
	029130-05-000	EA	SCREW - SNAP STUD - #8-16 X 5/8" LONG
	049465-03-000	EA	SCREW - 10-16 X 1 POH W/WASHER - OFF WHITE
	049465-04-000	EA	SCREW - 10-16 X 1 PTH W/WASHER - BEIGE
	049465-17-000	EA	SCREW - 10-16 X 1 POH W/WASHER - BRIGHT WHITE
	049465-23-000	EA	SCREW - 10-16 X 1.5 POH W/WASHER - VW LIGHT GRAY
	054434-02-000	EA	SCREW - SF/DR - 10-16 X 2 - ZINC
	054434-03-000	EA	SCREW - SF/DR - 10-16 X 2 - PWH - ZINC - W/O WINGS
	075908-01-000	EA	SCREW - MACHINE - 10-32 X .56 PTH - EXTERNAL TOOTH - ZINC
	076790-01-000	EA	SCREW - 6-20 X 1 1/4 PPH - BLACK
	076790-03-000	EA	SCREW - 6-20 X 1 PPH - BLACK
	076790-05-000	EA	SCREW - 6-20 X 1/2 PPH - BLACK - THREAD CUTTING/WOOD
	087721-01-000	EA	SCREW - FLAT HEAD - TAPPING - 1/4 X 1 1/4 LONG - ZINC
	090033-02-000	EA	SCREW - 1/4-20 X 5/8 - ROUND WASHER HEAD - OFF/WHITE
	091230-06-000	EA	SCREW-MACH,8-32X3/4 POH SS - BRIGHT WHITE
	097974-01-000	EA	SCREW - PARTICLE BOARD - 7-9 X 3/4 PPH
	101618-01-000	EA	SCREW - 1/4-20 X 3/4 HEX - TAPPING - STALGARD TYPE F
	105126-01-000	EA	SCREW - MACHINE - 8-32 X 1 PPH TAPTIT
	110460-05-02A	EA	SCREW - MACHINE - 10-24 X 2 1/2 PFH - WHITE
	113563-01-01A	EA	SCREW - 8 X 5/8 LONG SHOULDER/WASHER HEAD
	117478-01-04A	EA	SCREW - 8-18 X 3/4 PPH W/WASHER - VW LIGHT GRAY
	118383-01-09A	EA	RETAINER/RECESSED - F/.22" SCREW - GLACIER
	118383-01-05A	EA	RETAINER/RECESSED - F/.22" SCREW - VW LIGHT GRAY
	118383-01-04A	EA	RETAINER/RECESSED - F/.22" SCREW - BRIGHT WHITE
	118383-02-05A	EA	RETAINER/RECESSED - F/.27" SCREW - VW LIGHT GRAY
	118383-02-09A	EA	RETAINER/RECESSED - F/.27" SCREW - GLACIER
	118383-03-09A	EA	RETAINER/RECESSED - F/.32" SCREW - GLACIER
	118383-03-05A	EA	RETAINER/RECESSED - F/.32" SCREW - VW LT. GRAY
	118383-04-09A	EA	CAP - F/RECESSED RETAINER - GLACIER
	118383-04-05A	EA	CAP - F/RECESSED RETAINER - VW LIGHT GRAY
	118383-04-04A	EA	CAP - F/RECESSED RETAINER - BRIGHT WHITE
	134126-01-01A	EA	SCREW/NAIL - HEX HEAD - 3/4"
	134126-02-01A	EA	SCREW/NAIL - HEX HEAD - 1 1/4"
	140040-01-000	EA	SCREW - 1/4-20X1 - BUTTON HEAD SOCKET - W/LOCTITE



**SEALANTS & FASTENERS GROUP (CONTINUED)**  
**CLAMPS, CLIPS, GROMMETS, RIVETS & PLUGS**

KEY	PART NUMBER	U/M	DESCRIPTION
	000F10-06-32B	EA	PIN - COTTER - 3/16" X 2" - ZINC
	000H14-06-06R	EA	RIVET-MANDREL BLIND,3/16 AL - CHERRY BSP-66
	000H16-04-06R	EA	RIVET - POP ALUMINUM - 1/8 X .313 - .375
	000H16-06-10R	EA	RIVET - POP ALUMINUM - 3/16 X .501-.625
	007161-01-000	EA	CLAMP - HOSE - SPRING TYPE - 1/2"
	008384-01-000	EA	GROMMET - SNAP - 3/4 DIAMETER - NYLON
	008386-01-000	EA	GROMMET - SNAP - 3/8" DIAMETER - NYLON
	010495-01-000	EA	CLAMP - CABLE - 9/16"
	010495-02-000	EA	CLAMP - CABLE - 3/8"
	010495-04-000	EA	CLAMP - CABLE - 11/16" - WHITE
	010497-01-000	EA	CLAMP - CLOSED - 5/8" ID
	010497-03-000	EA	CLAMP - CLOSED - 1" ID - CUSHIONED
	010497-04-000	EA	CLAMP - CLOSED - 1 5/8" ID
	010497-05-000	EA	CLAMP - CLOSED - 1/2" ID
	010497-07-000	EA	CLAMP - CLOSED - 3/8" ID
	010499-01-000	EA	CLAMP - CLOSED - 3/8" ID
	016188-03-000	EA	GROMMET - L/P LINE - 3/8" HOLE X 2 1/2" LONG - RUBBER
	016188-04-000	EA	GROMMET - L/P LINE - 1/2" HOLE X 2 1/2" LONG - RUBBER
	016188-05-000	EA	GROMMET - L/P LINE - 3/8" HOLE X 1 1/4" LONG - RUBBER
	016188-06-000	EA	GROMMET - L/P LINE - 3/8" X 31 1/4" LONG
	016188-07-000	EA	GROMMET - L/P LINE - 1/2" X 3 1/4" LONG
	023942-01-000	EA	GROMMET - RUBBER - 2" OD
	034141-02-000	EA	PLUG/NYLON - .38" - BLACK
	056134-01-000	EA	HOLDER - RING - 3.6" DIAMETER - METAL
	056134-02-000	EA	HOLDER - RING - 1.8" DIAMETER - METAL
	061420-04-000	EA	PLUG/PLASTIC - 1 1/4" DIAMETER
	061420-05-000	EA	PLUG/PLASTIC - 1 1/2" DIAMETER
	061420-08-000	EA	PLUG/PLASTIC - 2 1/2" DIAMETER
	061420-09-000	EA	PLUG/PLASTIC - 1.00" - DIAMETER
	061420-10-000	EA	PLUG/PLASTIC - 1 1/2" DIAMETER - BLACK
	061420-15-000	EA	PLUG/PLASTIC - 2" DIAMETER - BLACK
	062401-01-000	EA	CLAMP - HOSE - WORMGEAR - .25" - 1"
	062401-02-000	EA	CLAMP - HOSE - WORMGEAR - 1.56" - 2.5"
	062401-03-000	EA	CLAMP - HOSE - WORMGEAR - .22" - 1"
	062401-04-000	EA	CLAMP - HOSE - WORMGEAR - .69" - 1.25"
	062401-05-000	EA	CLAMP - HOSE - WORMGEAR - 2" - 3" ID
	062401-06-000	EA	CLAMP - HOSE - WORMGEAR - .22" - .62" ID
	062401-09-000	EA	CLAMP - HOSE - WORMGEAR - 2.8" - 3.75"
	062401-11-000	EA	CLAMP - HOSE - WORMGEAR - 3.50" - 4.50"
	062401-12-000	EA	CLAMP - HOSE - WORMGEAR - .79" X 1.26"
	071015-11-000	EA	GROMMET - RUBBER - 1"ID FITS .12 MATERIAL - BLACK
	071015-19-000	EA	GROMMET - RUBBER - .38 ID - FITS .06 MATERIAL - BLACK
	071015-26-000	EA	GROMMET - RUBBER - 1.5" ID X 2.1" OD W/.06" GROOVE-BLACK
	071015-29-000	EA	GROMMET - RUBBER - .3" ID X 1.3"OD W/.12" GROOVE - BLACK
	071015-30-000	EA	GROMMET - RUBBER - .31" ID X .81" OD W/.12" GROOVE-BLACK
	071015-39-000	EA	GROMMET - .75 ID FITS .06 MTL
	071015-40-000	EA	GROMMET - .38 ID FITS .09 MTL
	071015-41-000	EA	GROMMET - .125 ID FITS .188 MTL
	075148-02-000	EA	CLAMP - GROUNDING - BRONZE SCREWS
	077955-01-000	EA	CLIP/J - 3/8" - VINYL COATED
	080211-03-000	EA	CLIP - XMAS TREE W/PANEL RETAINING HEAD - 3/4" SHANK
	080734-02-000	EA	CLIP - WIRE NYLON
	081211-03-000	EA	PLUG/PLASTIC - .50 DIAMETER - BLACK
	081211-04-000	EA	PLUG/PLASTIC - .46 DIAMETER - BLACK
	083609-01-000	EA	CLAMP - WIRE - DUAL - EQUAL DIAMETERS - 5/8"
	083610-01-000	EA	CLAMP - WIRE - DUAL - UNEQUAL DIAMETERS - 3/4" & 1 1/4"
	083610-02-000	EA	CLAMP - WIRE - DUAL - UNEQUAL DIAMETERS - 3/4" & 2"
	083610-03-000	EA	CLAMP - WIRE - DUAL - EQUAL DIAMETERS - 2"
	088756-01-000	EA	GROMMET - WEB - 1 1/8 " I.D.
	091952-01-000	EA	CLIP - GRIPPER - 1"
	091952-02-000	EA	CLIP - GRIPPER - 3/4"
	094362-02-000	EA	CLIP - XMAS TREE - BINDER HEAD - .9" LONG
	094362-05-000	EA	CLIP - XMAS TREE - ROUND HEAD - 1.4" LONG

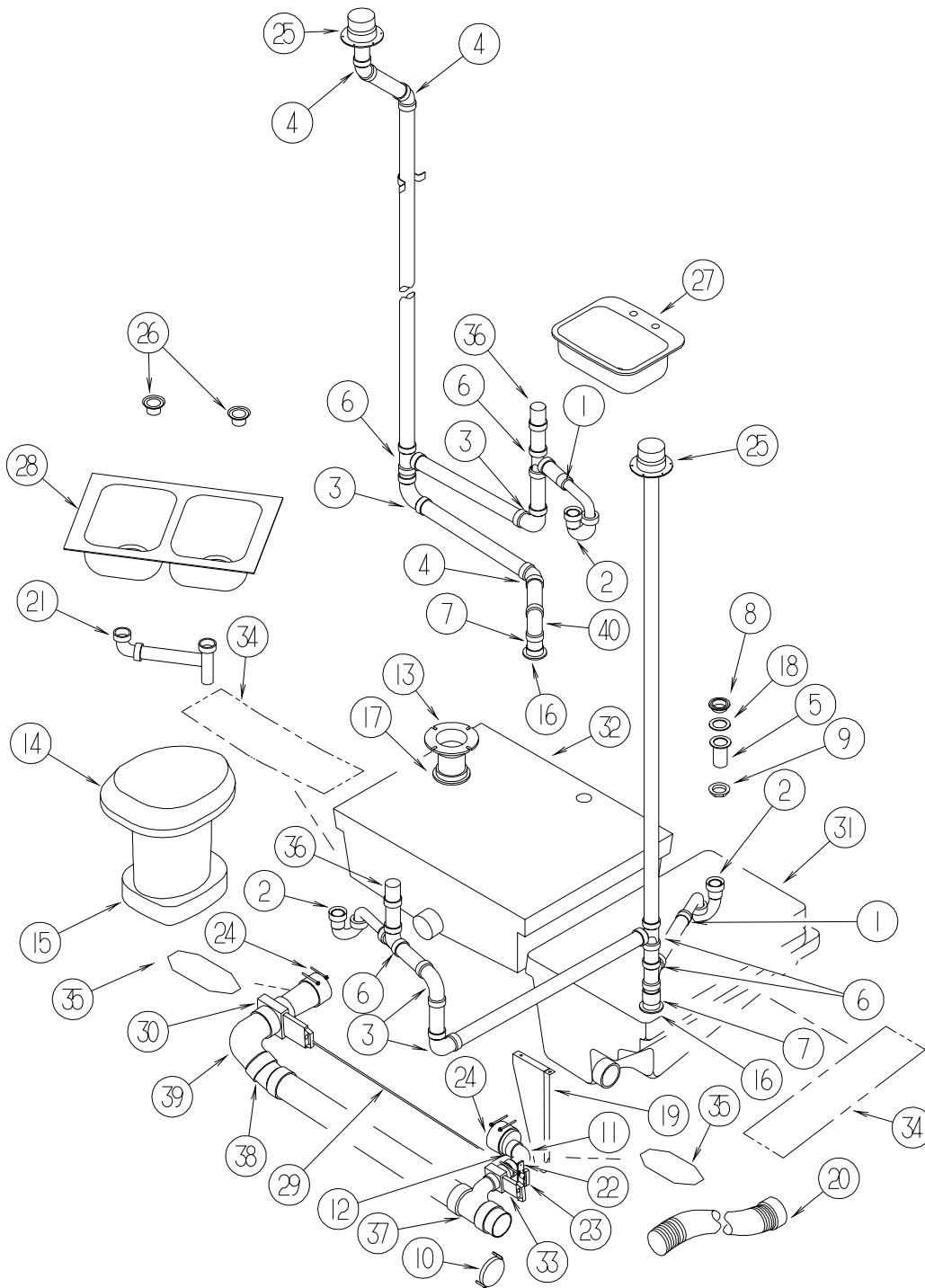
**SEALANTS & FASTENERS GROUP (CONTINUED)**  
**CLAMPS, CLIPS, GROMMETS, RIVETS & PLUGS (CONTINUED)**

KEY	PART NUMBER	U/M	DESCRIPTION
	114208-01-000	EA	GROMMET - EDGE LINER - FITS 1 3/4"
	114208-03-000	EA	GROMMET - EDGE LINER - FITS 2 1/2"
	114208-04-000	EA	GROMMET - EDGE LINER - FITS 1"
	114208-05-000	EA	GROMMET - EDGE LINER - FITS 2"
	118626-01-01A	EA	RIVET - POP - ALUMINUM - 3/16 X .08 - .375
	118626-02-01A	EA	RIVET - POP - ALUMINUM - 3/16 X .500 - .750
	137014-01-02A	EA	GROMMET - CABLE - BROWN
	137014-01-01A	EA	GROMMET - CABLE - ALMOND
	139118-01-01A	EA	GROMMET - PLASTIC/SCREW
	139118-02-01A	EA	GROMMET - SCREW - PLASTIC
	140171-02-000	EA	CLAMP - HOSE - STEPLESS EAR - .250

**MISCELLANEOUS FASTENERS**

KEY	PART NUMBER	U/M	DESCRIPTION
	008343-01-000	EA	TIE - WIRE - 6"
	008343-02-000	EA	TIE - WIRE - 14"
	008343-03-000	EA	TIE - WIRE - 7 1/2" - BLACK
	029094-04-000	YD	VELCRO TAPE - LOOP - 1" WIDE - BLACK
	029096-03-000	YD	VELCRO TAPE - HOOK - 1" WIDE - BLACK
	029096-04-000	YD	VELCRO TAPE - HOOK - 1" WIDE - BLACK
	048394-02-000	YD	VELCRO TAPE - HOOK - ADHESIVE BACK - 3/4" WIDE - BEIGE
	085774-01-000	FT	FASTENER - DUAL LOCK - 1" WIDE - ADHESIVE BACK - BLACK
	085774-02-000	FT	FASTENER - DUAL HOOK - 1" WIDE - ADHESIVE BACK - BLACK
	085774-03-000	FT	FASTENER - DUAL LOCK - 1/2" WIDE - ADHESIVE BACK - BLACK
	085774-04-000	FT	FASTENER - DUAL HOOK - 1/2" WIDE - ADHESIVE BACK - BLACK
	088792-02-000	YD	VELCRO TAPE - LOOP - 3/4" - ADHESIVE BACK - BEIGE
	088792-04-000	YD	VELCRO TAPE - HOOK - 5/8" - NON-ADHESIVE BACK - WHITE
	088792-05-000	YD	VELCRO TAPE - LOOP - 5/8" - NON-ADHESIVE BACK - WHITE
	108046-01-000	EA	CABLE TIE - SCREW MOUNT 8"
	108046-02-000	EA	CABLE TIE - SCREW MOUNT 15"
	110943-02-000	FT	FELT STRIP - 3/8" - ADHESIVE BACK - WHITE
	113133-02-01A	EA	RIVET - POP - ALUMINUM - 3/16 X .252 - .504 - BLACK
	123816-04-000	FT	TAPE - DOUBLE SIDED - 6" X 750'
	127960-01-01A	EA	RETAINER - 3/8" - STAINLESS STEEL

# WATER & SEWAGE GROUP DRAINAGE SYSTEM



KEY	PART NUMBER	U/M DESCRIPTION
1	109571-01-000	EA ADAPTER - P-TRAP - 1 1/2" P X 1 1/4" MPT
2	107538-01-000	EA P-TRAP - PLASTIC - 1 1/4" W/EXTENSION ARM
3	011071-01-000	EA P-TRAP - PLASTIC - 1 1/2" - CSA
4	010008-01-000	EA ELBOW - 90 DEGREE - 1 1/2" HUB X HUB - PLASTIC
5	011069-02-000	EA ELBOW - 45 DEGREE - 1 1/2" HUB X HUB - PLASTIC
6	010071-01-000	EA TEE - SANITARY - 1 1/2" HUB X HUB X HUB - PLASTIC
7	010115-01-000	EA COUPLING - 1 1/2" HUB X HUB - PLASTIC
8	066440-01-000	EA STRAINER - SHOWER DRAIN - W/RUBBER WASHER
9	130403-01-000	EA NUT - SLIP - W/WINGS 1 1/2"
10*	062415-01-000	EA CAP - SEWER - 3" DIAMETER

\*COMPONENT PARTS LISTED LATER IN THIS GROUP

**WATER & SEWAGE GROUP (CONTINUED)**  
**DRAINAGE SYSTEM (CONTINUED)**

KEY	PART NUMBER	U/M	DESCRIPTION
11	033761-01-000	EA	ELBOW - 90 DEGREE - TURN - 1 1/2" HUB X 1 1/2" SPIGOT
12	062422-01-000	EA	ADAPTER - OFFSET REDUCER - 3" X 1 1/2" - PLASTIC
13	116644-01-000	EA	FLANGE/CLOSET - 4 BOLT X 3" FEMALE
14*	131932-02-02A	EA	TOILET - AQUA MAGIC 4 - HIGH - FOOT FLUSH - WHITE
15	131786-02-01A	EA	SPACER - TOILET - OVAL - 13.5" LONG X 2.8" HIGH - SOFT WHT
16	061607-01-000	EA	GROMMET - HOLDING TANK - 1 1/2" NPS
17	061607-02-000	EA	GROMMET - HOLDING TANK - 3" NPS
18	127440-02-01A	EA	WASHER - RUBBER - 1.8" X .1"
19	109695-02-000	EA	BRACKET - T-HANDLE
			FROM: 00-00-00 THRU: 02-25-01
19	109695-03-000	EA	BRACKET - T-HANDLE
			FROM: 02-26-01 THRU: 99-99-99
20	062416-01-000	EA	ADAPTER - SEWER HOSE TO 3" PIPE
			FROM: 00-00-00 THRU: 06-10-01
20	010201-01-000	EA	HOSE - SEWER - 3" ID X 8'
			FROM: 00-00-00 THRU: 06-10-01
20	139513-01-000	EA	HOSE - SEWER - 3" X 10' - W/ADAPTER
			FROM: 06-11-01 THRU: 99-99-99
20	109450-01-000	EA	ADAPTER - SEWER HOSE - PLASTIC
21	011091-02-000	EA	WASTE - CONTINUOUS - DOUBLE SINK
22	062419-05-000	EA	BRACKET - VALVE - LOCKING
23	062419-06-000	EA	HANDLE - T
24	078406-01-000	EA	COUPLER - RUBBER - W/CLAMPS - 3" X 3"
25	083558-03-000	EA	VENT - PLUMBING - ROOF PIPE COVERED - OFF WHITE
26	092303-01-000	EA	STRAINER - SINK
27*	096927-01-02A	EA	SINK - LAVATORY - RECTANGLE - SOFT WHITE
28	104113-01-000	EA	SINK - DOUBLE - STAINLESS STEEL
29	062419-07-000	EA	HANDLE/ROD - EXTENSION W/THREADED END - 36"
30	062418-01-000	EA	VALVE - DUMP - W/HANDLE - 3" - PLASTIC/BLACK
31	071271-01-000	EA	TANK - HOLDING - 31 GALLON - W/O FITTINGS
32	074861-01-000	EA	TANK - HOLDING - W/O GROMMETS - 35 GALLON - 35"X 11"X 27"
33	062421-01-000	EA	VALVE/DUMP W/HANDLE - 1 1/2" HUB X 1 1/2" SPIGOT
34	133972-01-000	EA	PAD - HEATER - HOLDING TANK - 40 GALLON
35	133972-03-000	EA	PAD - HEATER ELBOW - 1.5" DIAMETER
36	079968-01-000	EA	VENT - MECHANICAL/TRAP ARM - ANTI-SIPHON-2" X 7.3" PLASTIC
37	031365-01-000	EA	TEE - PLASTIC - 3" X 3" X 1 1/2" EXTRA LONG TURN
38	010023-01-000	EA	ELBOW/STREET - PLASTIC
39	031126-01-000	EA	ELBOW - 1/4 BEND - 3" X 90" XLT - BLACK PLASTIC
40	034250-01-000	EA	ELBOW - 90 DEGREE - LONG TURN - 1 1/2" HUB X HUB - ABS

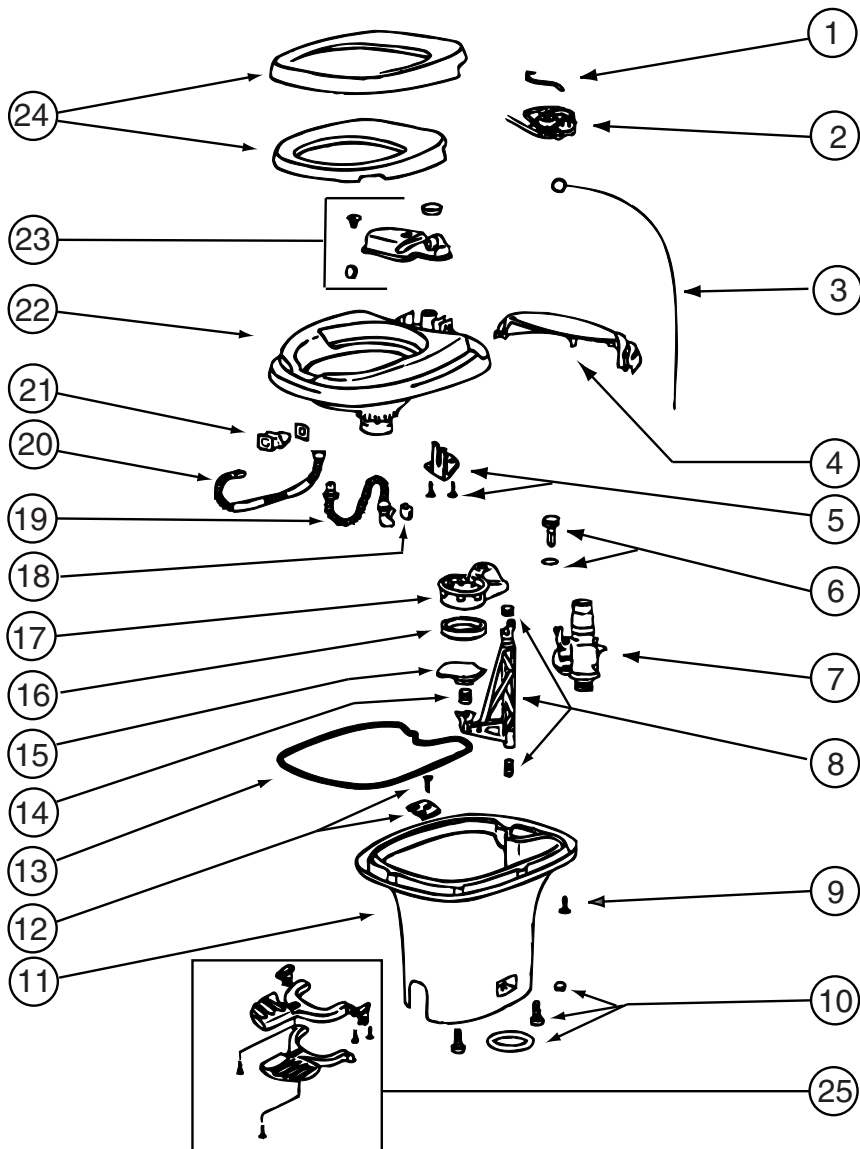
\*COMPONENT PARTS LISTED LATER IN THIS GROUP

**WATER & SEWAGE GROUP (CONTINUED)**  
**COMPONENT PARTS FOR DRAINAGE**

062415-01-000

<b>KEY</b>	<b>PART NUMBER</b>	<b>U/M</b>	<b>DESCRIPTION</b>	<b>VENDOR NO.</b>
	062415-01-700	EA	STRING-SEWER CAP	V#SV7 STRAP

**WATER & SEWAGE GROUP (CONTINUED)**  
**COMPONENT PARTS FOR DRAINAGE SYSTEM (CONTINUED)**



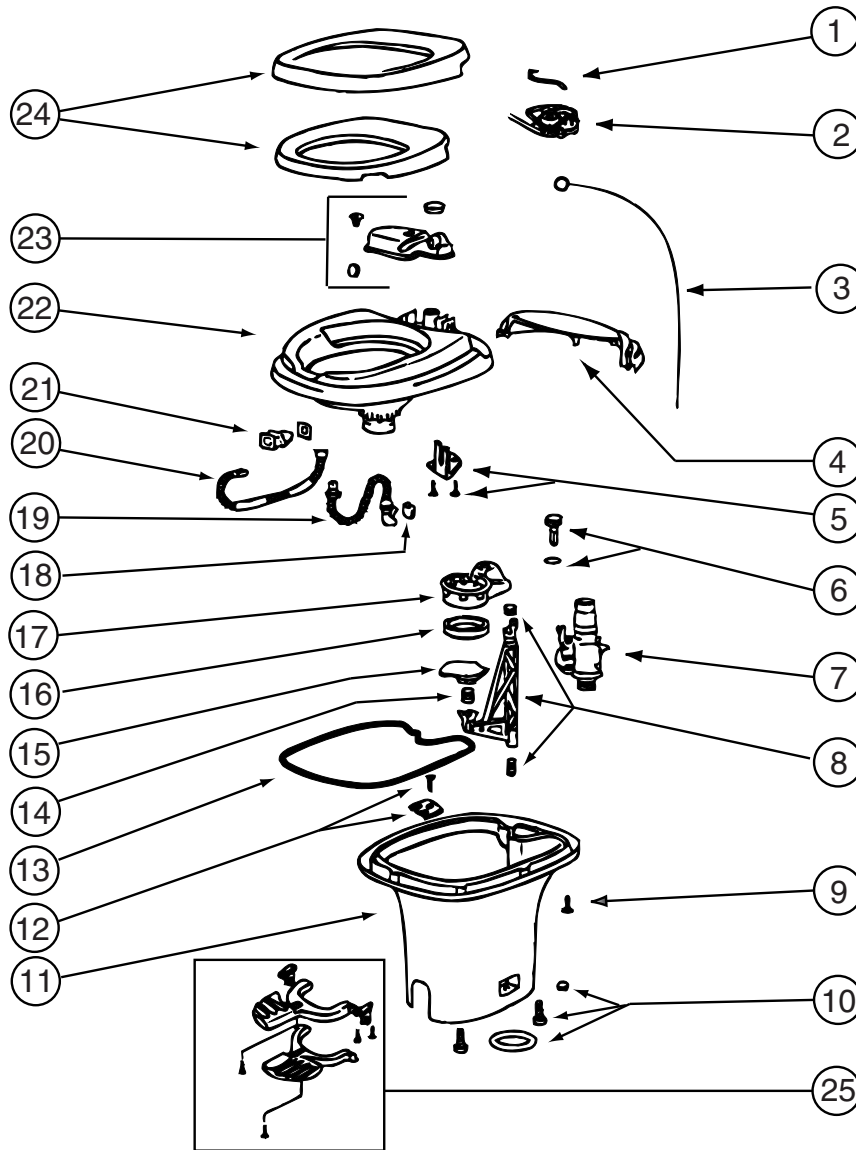
**324V, 329B, 329N, 331C**

**067487-04-000**

KEY	PART NUMBER	U/M	DESCRIPTION	VENDOR NO.
2	063740-02-703	EA	KIT-LEVER/WIRE ASSM FOOT FL	24571
4	131932-02-701	EA	COVER -MECHANISM- WHITE	2086562
7	063740-01-714	EA	VALVE ASM (VALVE-BALL SEAL)	13168
10	063740-01-706	EA	BOLT PACKAGE-FLOOR FLANGE	12524THETFORD
15	063740-01-721	EA	BLADE ONLY	1248262
16	063740-01-722	EA	SEAL - BLADE	12481
20	063740-01-717	EA	TUBE-FLUSH	12509
23	063740-02-701	EA	RESERVOIR (TANK ASM.)	24630
24	131932-01-701	EA	SEAT/COVER ASSMBLY - WHITE	2464162
25	131932-02-702	EA	PEDAL PACKAGE(WHITE)	2082162

CONTACT WINNEBAGO PART SALES FOR UNLISTED COMPONENT

**WATER & SEWAGE GROUP (CONTINUED)**  
**COMPONENT PARTS FOR DRAINAGE SYSTEM (CONTINUED)**



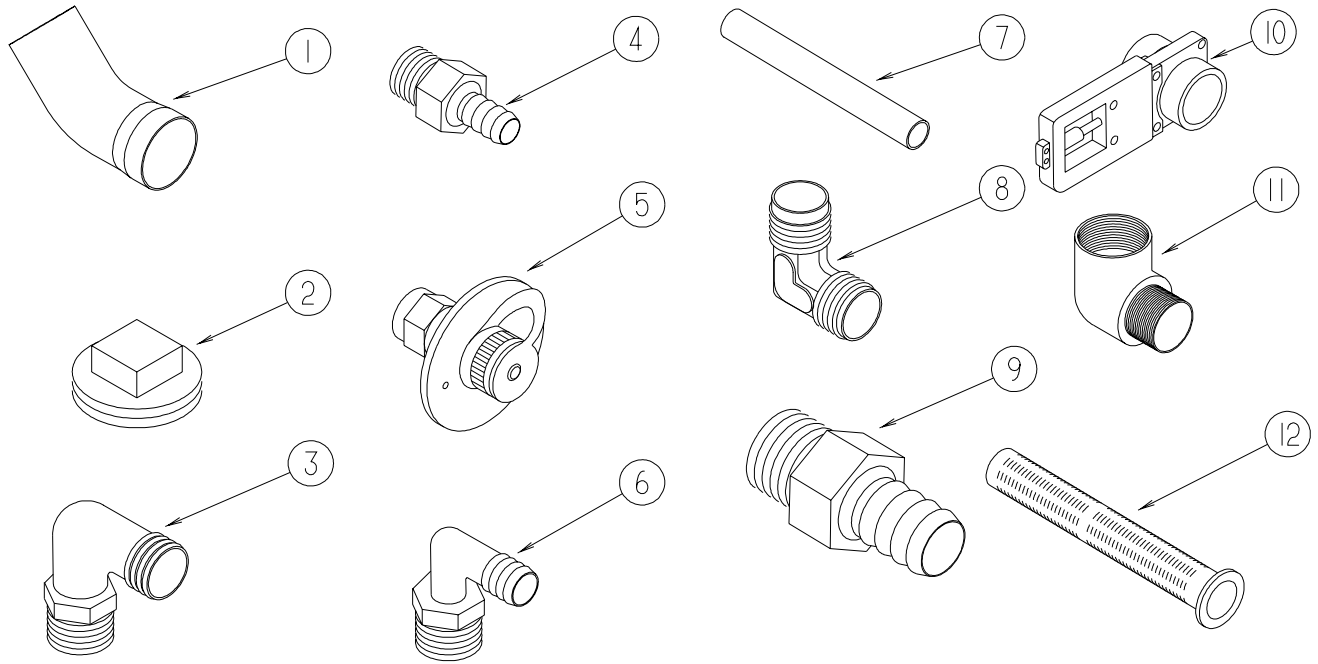
**322E, 322R, 324F**

**131932-02-02A**

KEY	PART NUMBER	U/M	DESCRIPTION	VENDOR NO.
2	063740-02-703	EA	KIT-LEVER/WIRE ASSM FOOT FL	24571
4	131932-02-701	EA	COVER -MECHANISM- WHITE	2086562
7	063740-01-714	EA	VALVE ASM (VALVE-BALL SEAL)	13168
10	063740-01-706	EA	BOLT PACKAGE-FLOOR FLANGE	12524 THETFORD
15	063740-01-721	EA	BLADE ONLY	1248262
16	063740-01-722	EA	SEAL - BLADE	12481
23	063740-02-701	EA	RESERVOIR (TANK ASM.)	24630
24	131932-01-701	EA	SEAT/COVER ASSMBLY - WHITE	2464162
25	131932-02-702	EA	PEDAL PACKAGE(WHITE)	2082162

CONTACT WINNEBAGO PART SALES FOR UNLISTED COMPONENT

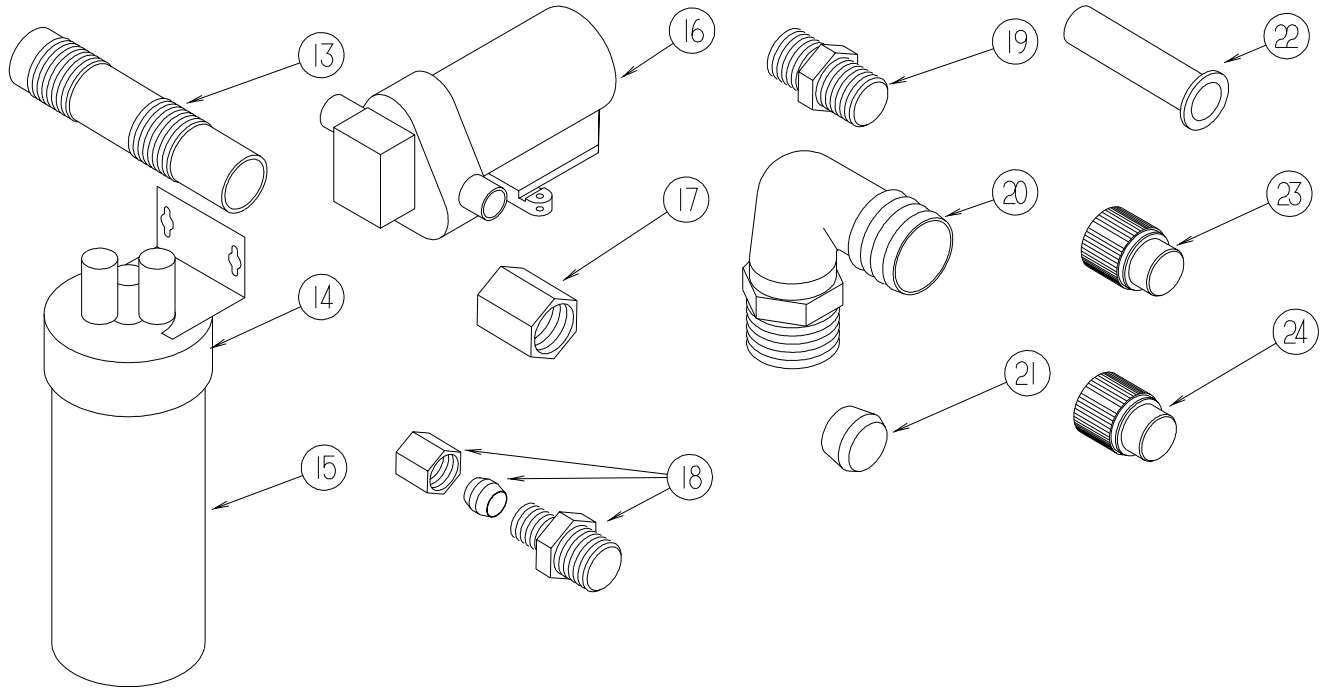
**WATER & SEWAGE GROUP (CONTINUED)**  
**WATER SYSTEM**



KEY	PART NUMBER	U/M	DESCRIPTION
1	010009-01-000	EA	ELBOW - 90 DEGREE - 1/4 BEND - 1 1/2" PLASTIC
2	010166-01-000	EA	PLUG/THREADED - 1 1/4"MPT - PLASTIC - BLACK - UL
3	010219-01-000	EA	ELBOW - 1 1/4 MPT X 1 1/4 BARB - WATER FILL - PLASTIC
4	010224-01-000	EA	ADAPTER - HOSE TO PIPE - 3/8 MPT X 3/8 BARB - PLASTIC
5	010230-06-000	EA	FILL - CITY WATER - W/CHECK VALVE - MPT - BRUSHED ALUM
6	035539-01-000	EA	ELBOW - 3/8 MPT X 3/8 BARB - PLASTIC
7	039800-04-000	FT	TUBING - POLYBUTYL - 1/4"OD
7	074462-02-000	FT	TUBING - VINYL - 3/8 ID X 20' - CLEAR
7	112176-01-000	FT	TUBING - VINYL - REINFORCED - 1/2" ID
7	124188-01-000	FT	TUBING - PEX - 1/2" ID X 20' - BLUE(COLD)
7	124188-02-000	FT	TUBING - PEX - 1/2" ID X 20' - RED(HOT)
8	039808-03-000	EA	ELBOW - 1/2" MPT X 1/2" MPT - PLASTIC
9	044927-01-000	EA	ADAPTER - HOSE TO PIPE-1 1/4 MPTX1 1/4 BARB-BLACK PLASTIC
10	062421-03-000	EA	VALVE/DUMP W/O HANDLE - 1 1/2" X 1 1/2" HUB
11	065318-02-000	EA	ELBOW - 90 DEGREE - 3/8" MPT TO 3/8" FPT
12	077954-02-000	EA	FILTER - WATER TANK - W/SCREEN IN TANK



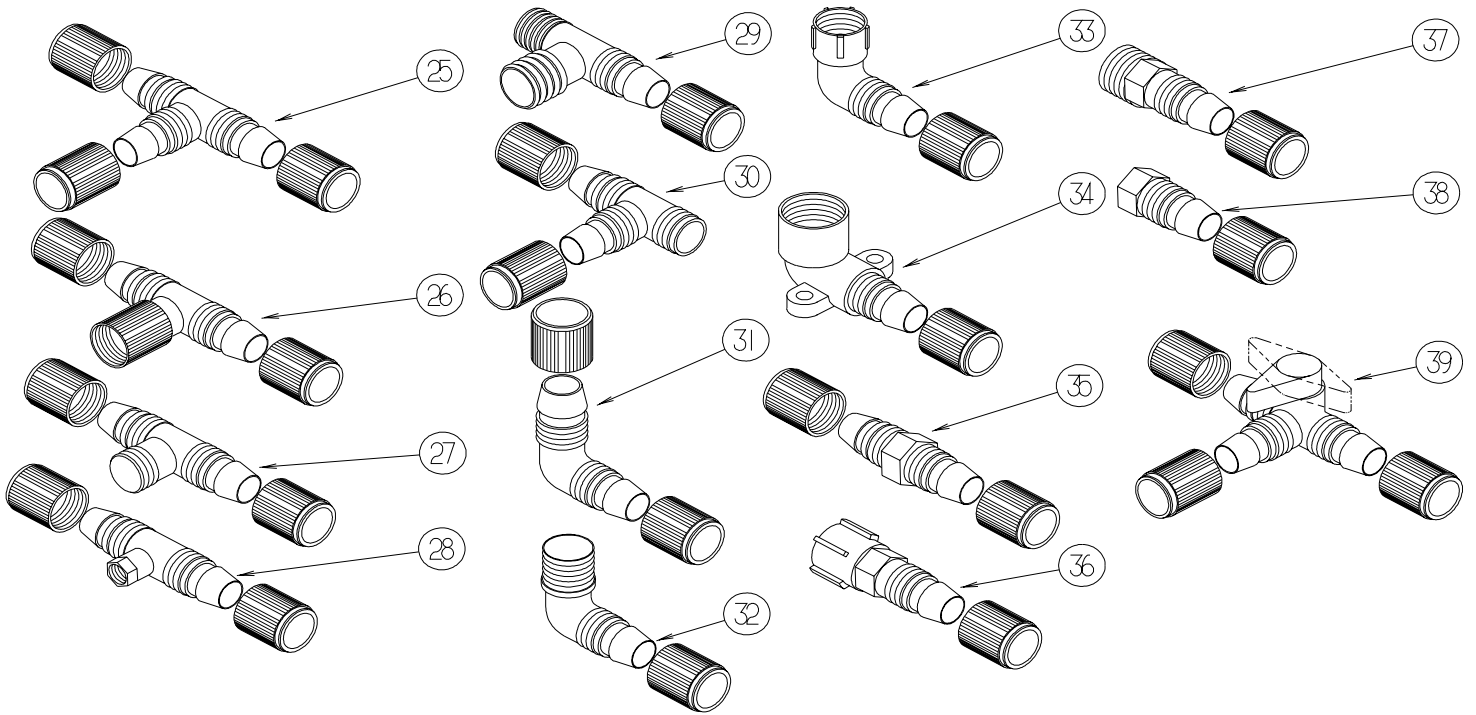
**WATER & SEWAGE GROUP (CONTINUED)**  
**WATER SYSTEM (CONTINUED)**



KEY	PART NUMBER	U/M	DESCRIPTION
13	079381-01-000	FT	TUBING - RIBBED FLEXIBLE - WATER FILL - 1.4" ID
14	087200-01-000	EA	FILTER-WATER PURIFICATION, EVERPURE QC2-AC
15	087200-02-000	EA	CARTRIDGE-WATER FILTER,AC - EVERPURE 9601-11
16*	098607-01-000	EA	PUMP - WATER - W/.5" MPT FITTING - FLOW 2.8 GPM
17	101814-01-000	EA	COUPLING - FEMALE - 1/2" X 1/2" FPT - GRAY
18	103798-01-000	EA	CONNECTOR - 1/4 OD X 3/8 MPT
19	110438-02-000	EA	VALVE - CHECK - BRASS - 1/2 MPT X 1/2 MPT
20	111223-02-000	EA	ELBOW - 1/2" MPT X 3/8" BARB - PLASTIC
20	111223-03-000	EA	ELBOW - 3/4" MPT X 1/2" BARB - PLASTIC
20	111223-04-000	EA	ELBOW - 1/2" MPT X 1/2" BARB - PLASTIC
21	111888-01-000	EA	FERRULE - PLASTIC - .250 ID X .375 OD
22	111888-02-000	EA	INSERT - BRASS - 1/4 COMP
23	113697-01-000	EA	CAP - 3/8"P
24	114427-01-000	EA	CAP - 1/2"P

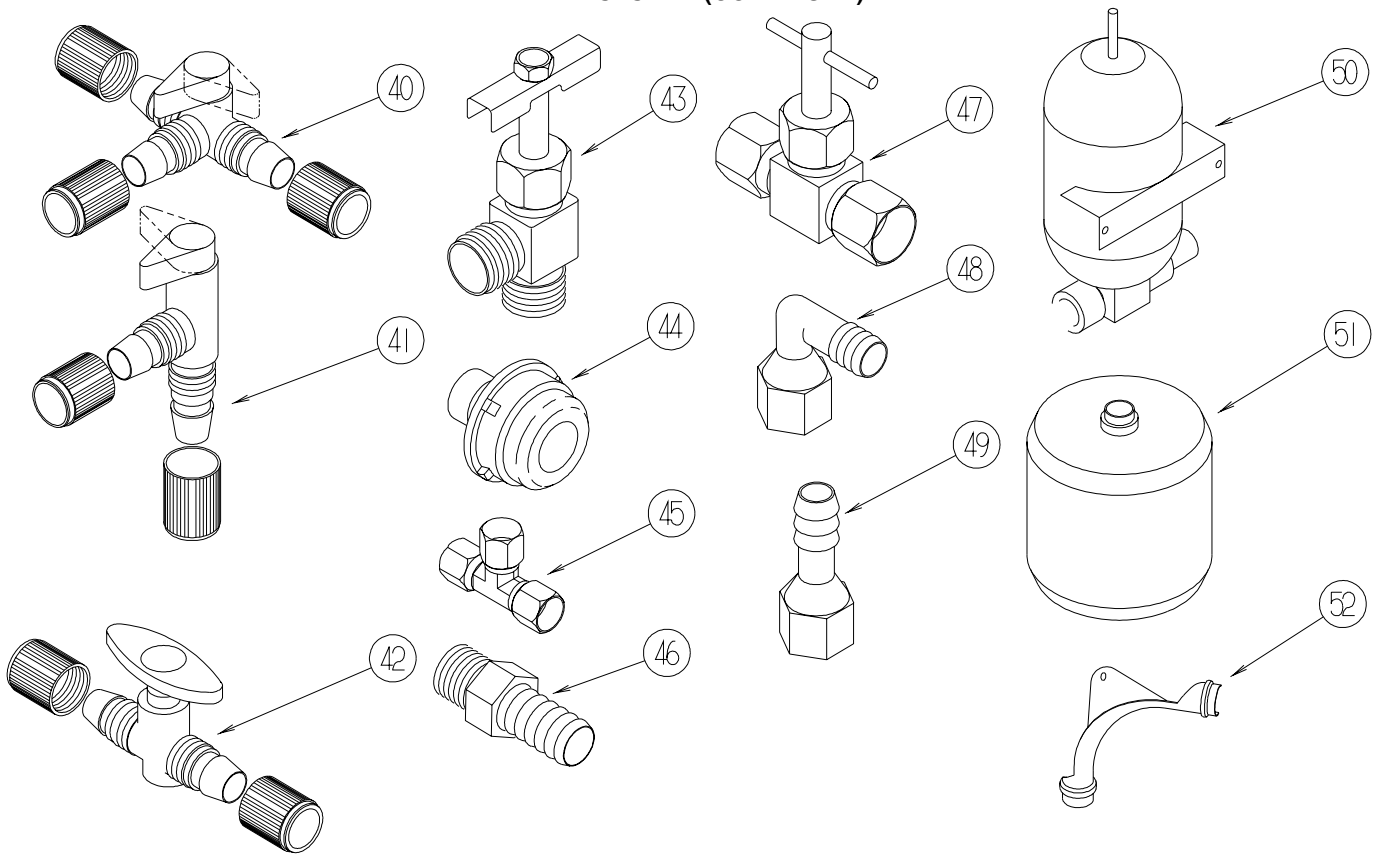
**\*COMPONENT PARTS LISTED LATER IN THIS GROUP**

**WATER & SEWAGE GROUP (CONTINUED)**  
**WATER SYSTEM (CONTINUED)**



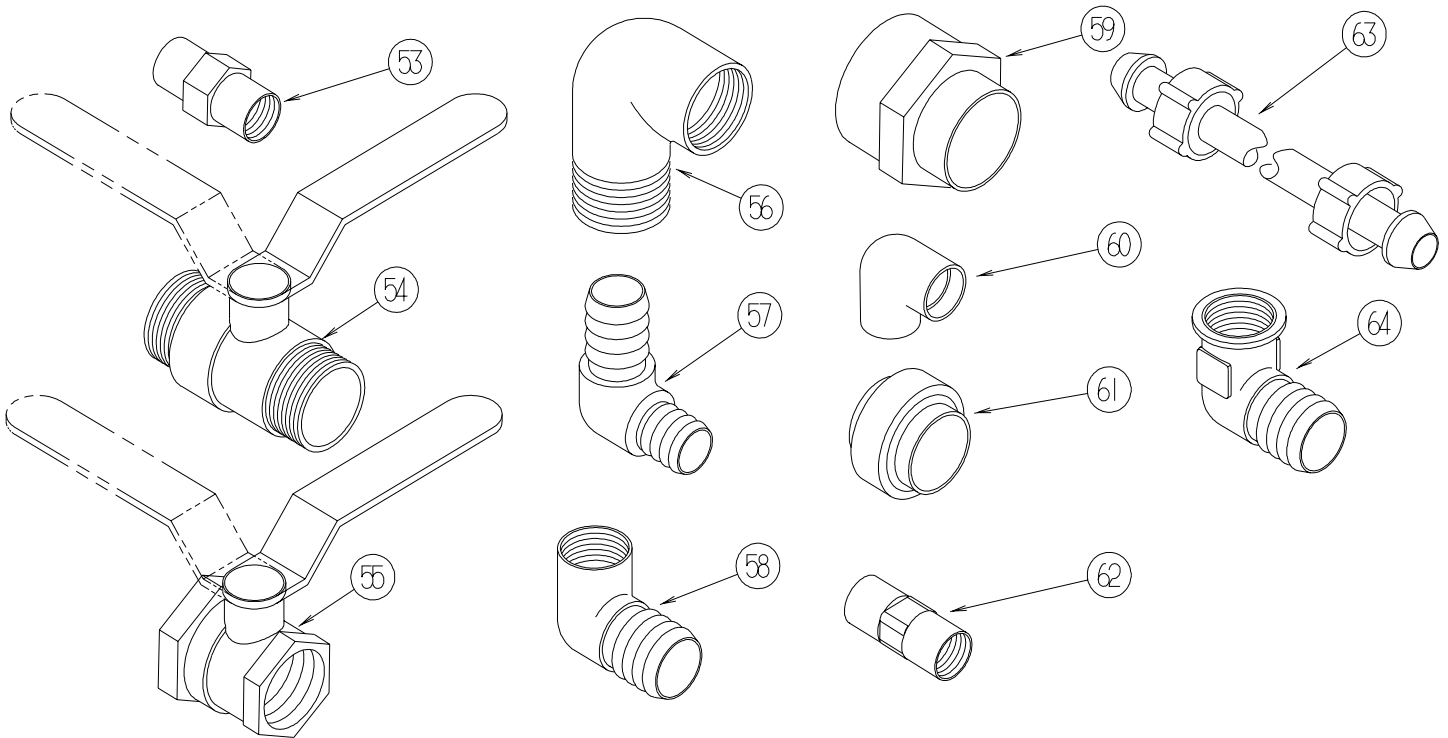
KEY	PART NUMBER	U/M	DESCRIPTION
25	114428-01-000	EA	TEE - 1/2"P X 1/2"P X 1/2"P
26	114428-02-000	EA	TEE - SWIVEL - 1/2"P X 1/2"P X 1/2"FPT
27	114428-03-000	EA	TEE - 1/2"P X 1/2"P X 1/2"MPT
28	114428-04-000	EA	TEE - 1/2"P X 1/2"P X 1/8"FPT
29	114428-06-000	EA	TEE - 1/2" P X 1/2" MPT X 1/2" MPT
30	114428-07-000	EA	TEE - 1/2" P X 1/2" MPT X 1/2" P
31	114429-01-000	EA	ELBOW - 1/2"P X 1/2"P
32	114429-02-000	EA	ELBOW - 1/2"P X 1/2"MPT
32	114429-04-000	EA	ELBOW - 1/2"P X 3/8"MPT
32	114429-05-000	EA	ELBOW - 1/2"P X 3/4"MPT
33	114429-03-000	EA	ELBOW - SWIVEL - 1/2"P X 1/2"FPT
33	114429-06-000	EA	ELBOW - SWIVEL - 1/2"P X 3/4"FPT
33	114429-08-000	EA	ELBOW - SWIVEL - 1/2"P X 1/2"FPT
34	114429-09-000	EA	ELBOW - 1/2"P X 1/2"FPT DROP EAR
35	114430-01-000	EA	ADAPTER - 1/2"P X 1/2"P
36	114430-02-000	EA	ADAPTER - SWIVEL - 1/2"P X 1/2"FPT
37	114430-03-000	EA	ADAPTER - 1/2"P X 1/2"MPT
38	114430-06-000	EA	ADAPTER - 1/2"P X 3/8"FPT
39	114431-01-000	EA	VALVE - 180 DEGREE/CENTER DRAIN - 1/2"P - THREE WAY

**WATER & SEWAGE GROUP (CONTINUED)**  
**WATER SYSTEM (CONTINUED)**



KEY	PART NUMBER	U/M	DESCRIPTION
40	114431-02-000	EA	VALVE - WATER BYPASS - 1/2"P - THREE WAY (WATER HEATER)
41	114431-03-000	EA	VALVE - 90 DEGREE DRAIN - 1/2"P
42	114431-04-000	EA	VALVE - "INLINE SHUT-OFF" - 1/2"P
43	114431-05-000	EA	VALVE - NEEDLE - 1/8" MPT X 1/4" COMPRESSION (ICE MAKER)
44	114966-01-000	EA	FILTER - IN LINE - TWIST ON - 1/2"
45	118423-01-000	EA	FITTING - BRASS-TEE - 1/4C X 1/4C X 1/4C
46	118809-02-000	EA	ADAPTER - 1/2" MPT X 1/2" BARB - PLASTIC
47	120868-01-000	EA	VALVE - NEEDLE - 1/4" COMPRESSION X 1/4" COMPRESSION
48	123150-01-000	EA	ELBOW - 1/2 FPT X 1/2 BARB - SWIVEL
49	123152-01-000	EA	ADAPTER - 1/2 FPT X 1/2 BARB - SWIVEL
50	123243-01-000	EA	TANK - ACCUMULATOR - 24 OZ
51	123317-01-000	EA	TANK - ACCUMULATOR - 2 GALLON
52	124184-01-000	EA	SUPPORT - WATER LINE - BEND

**WATER & SEWAGE GROUP (CONTINUED)**  
**WATER SYSTEM (CONTINUED)**



KEY	PART NUMBER	U/M	DESCRIPTION
53	132148-01-000	EA	CONNECTOR - 1/2" X 1/2"MPT - BRASS
54	132483-01-000	EA	VALVE/BALL - 1" - THREADED ENDS
55	132483-02-000	EA	VALVE/BALL - 1/2" - BRASS - FPT
56	132484-01-000	EA	ELBOW - 90 DEGREE - 1MPT X 1FPT - PLASTIC
57	132781-01-000	EA	ELBOW - 1.3" BARB X 1.3" BARB - 90 DEGREE - PLASTIC
58	132782-01-000	EA	ELBOW - 1"FPT X 1.3" BARB - 90 DEGREE - PLASTIC
59	133835-01-000	EA	ADAPTER - REDUCING - 1 1/2" X 1 1/4"
60	133837-01-000	EA	ELBOW - 1 1/2" X 90 DEGREE - DOUBLE SLIP
61	133889-01-000	EA	UNION - 1 1/2" DOUBLE SLIP - PVC
62	135386-01-000	EA	NIPPLE - 1/2"
63	140821-01-000	EA	TUBE - WATER SUPPLY - 3/8" X 24"
63	140821-02-000	EA	TUBE - WATER SUPPLY - 3/8" X 30"
63	140821-03-000	EA	TUBE - WATER SUPPLY - 3/8" X 36"
63	140821-04-000	EA	TUBE - WATER SUPPLY - 3/8" X 48"
63	140821-05-000	EA	TUBE - WATER SUPPLY - 3/8" X 54"
63	140821-06-000	EA	TUBE - WATER SUPPLY - 3/8" X 60"
63	140821-07-000	EA	TUBE - WATER SUPPLY - 3/8" X 72"
64	142812-01-000	EA	ELBOW - BRASS - 1/2"MPT X 1/2"FPT

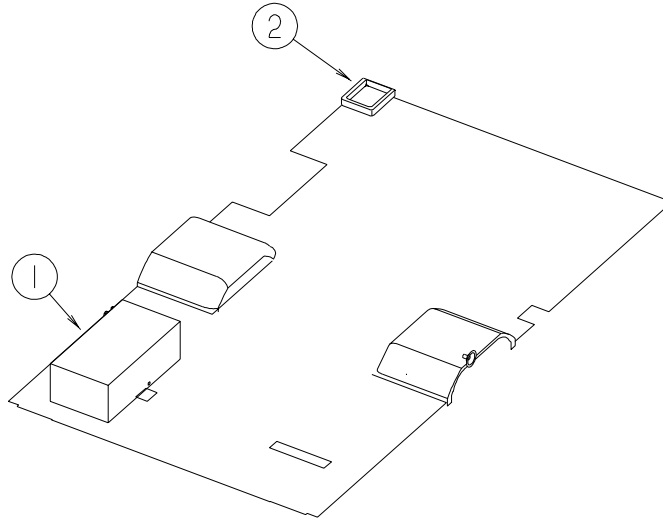
**\*COMPONENT PARTS LISTED LATER IN THIS GROUP**

**WATER & SEWAGE GROUP (CONTINUED)**  
**WATER SYSTEM (CONTINUED)**

KEY	PART NUMBER	U/M	DESCRIPTION
	131383-01-02A	EA	SHOWER HEAD - W/60" HOSE & BRACKET - WHITE
	131383-02-02A	EA	SHOWER HEAD - W/60" HOSE & BRACKET - WHITE - CSA
	104114-02-01A	EA	FAUCET - GALLEY - SINGLE CONTROL
	075241-06-000	EA	FAUCET - SHOWER/BRIGHT WHITE - .5" MPT W/1.9" INLET PIPES - EXTERIOR WASH STATION
	114416-03-02B	EA	BRACKET - SUPPORT - FAUCET - E-COAT - EXTERIOR WASH STATION
	075241-04-000	EA	FAUCET - SHOWER/BRASS
	075240-05-000	EA	FAUCET - LAVATORY/BRASS
	091253-01-000	EA	GASKET - FAUCET - LAVATORY/GALLEY
	075606-03-000	EA	PANEL - FAUCET SHOWER - SOFT WHITE
	039861-01-000	EA	SENDING UNIT - W/SCREW - WASHER - WELL NUT/TERMINAL RING
*	051391-03-000	EA	WATER HEATER G6A-8E ELECTRONIC IGNITION
	052009-06-000	EA	DOOR - WATER HEATER - BRIGHT WHITE - 18" X 14.6"
	081240-20-000	EA	WATER FILL - W/DOOR - LOCKABLE - W/O LOCK - BRT WHT
			FROM: 00-00-00 THRU: 04-02-01
	137169-01-01A	EA	FILL/WATER - GRAVITY - BRIGHT WHITE
			FROM: 04-03-01 THRU: 99-99-99
	137169-02-01A	EA	ADAPTER/LOCK - (WASHER) F/GRAVITY WATERFILL
			FROM: 04-03-01 THRU: 99-99-99
	110506—33-000	EA	LOCK ASM-KEYED, 14.58MM
			FROM: 00-00-00 THRU: 05-31-01
*	110506-59-000	EA	KEYS - SET OF TWO
	110506-59-001	EA	KEYS - SET OF TWO
	110506-59-002	EA	KEYS - SET OF TWO
	110506-59-003	EA	KEYS - SET OF TWO
	110506-59-004	EA	KEYS - SET OF TWO
	110506-59-005	EA	KEYS - SET OF TWO
	110506-59-006	EA	KEYS - SET OF TWO
	110506-59-007	EA	KEYS - SET OF TWO
	110506-69-008	EA	KEYS - SET OF TWO
	110506-59-009	EA	KEYS - SET OF TWO
	110506-52-000	EA	CASE/CYLINDER - LOCKING - W/O CAM/KEY - .65" - 702370
	110506-52-001	EA	CASE/CYLINDER - LOCKING - W/O CAM/KEY - .65" - 702371
	110506-52-002	EA	CASE/CYLINDER - LOCKING - W/O CAM/KEY - .65" - 702372
	110506-52-003	EA	CASE/CYLINDER - LOCKING - W/O CAM/KEY - .65" - 702373
	110506-52-004	EA	CASE/CYLINDER - LOCKING - W/O CAM/KEY - .65" - 702374
	110506-52-005	EA	CASE/CYLINDER - LOCKING - W/O CAM/KEY - .65" - 702375
	110506-52-006	EA	CASE/CYLINDER - LOCKING - W/O CAM/KEY - .65" - 702376
	110506-52-007	EA	CASE/CYLINDER - LOCKING - W/O CAM/KEY - .65" - 702377
	110506-52-008	EA	CASE/CYLINDER - LOCKING - W/O CAM/KEY - .65" - 702378
	110506-52-009	EA	CASE/CYLINDER - LOCKING - W/O CAM/KEY - .65" - 702379
	110506-76-000	EA	CAM - LOCK
			FROM: 00-00-00 THRU: 05-31-01
	110506-77-000	EA	CAM - LOCK
			FROM: 06-01-01 THRU: 05-31-01

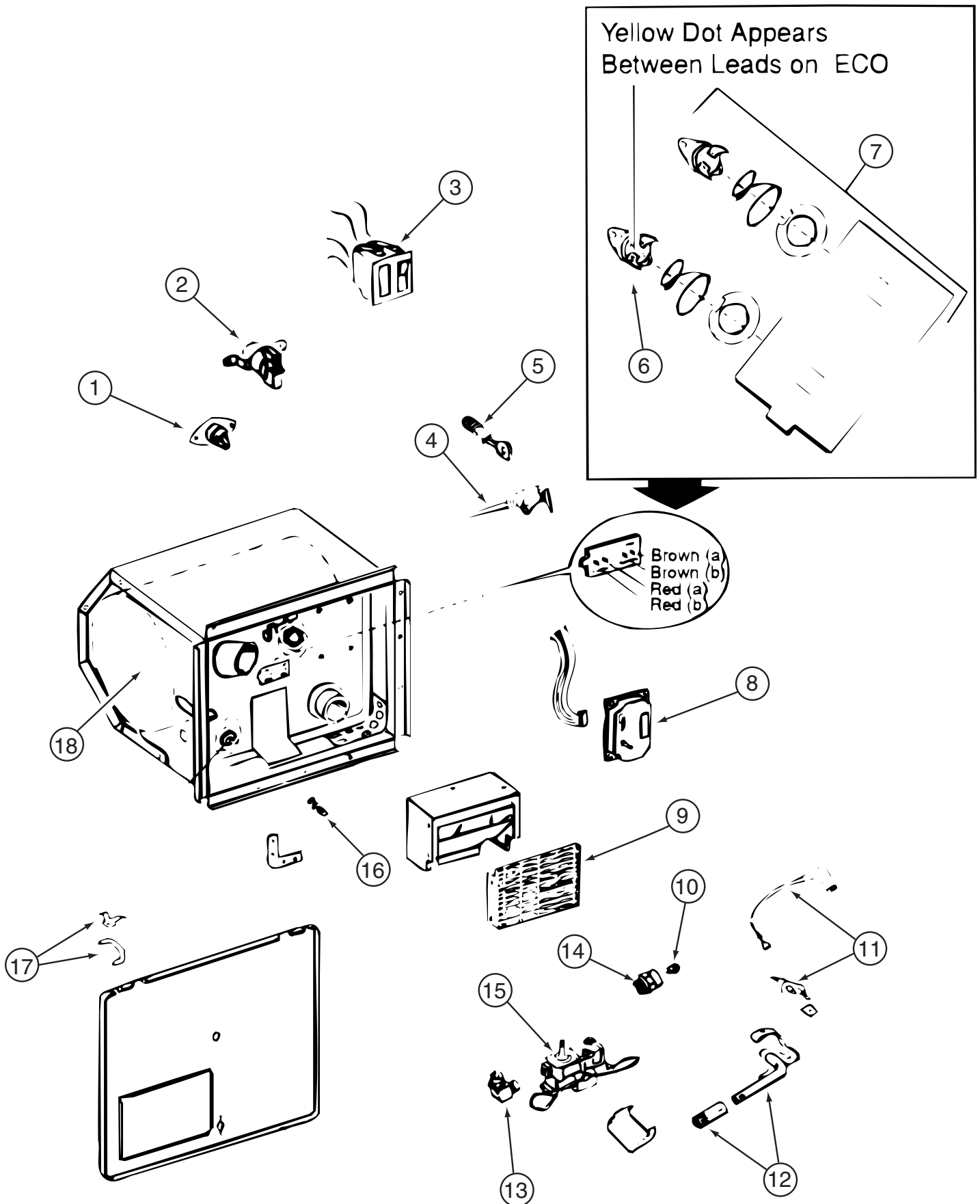
\*COMPONENT PARTS LISTED LATER IN THIS GROUP

**WATER & SEWAGE GROUP (CONTINUED)**  
**WATER SYSTEM (CONTINUED)**



KEY	PART NUMBER	U/M	DESCRIPTION
1	045195-05-000	EA	TANK - WATER - 30 GALLON - W/FITTINGS
1	045195-01-000	EA	TANK - WATER - 30 GALLON - W/O FITTINGS-34.5" X 18" X 12"
	042989-03-000	EA	FITTING - SPINWELD - 1 1/4"NPT - PLASTIC
	042989-04-000	EA	FITTING - SPINWELD - 3/8"FPT - PLASTIC
	042989-05-000	EA	FITTING - SPINWELD - 1/2"FPT - PLASTIC
	042989-08-000	EA	FITTING - SPINWELD - 1"FPT - PLASTIC
	049032-01-000	EA	PATCH - SPINWELD - 3/8" - PLASTIC
2	114293-01-02A	EA	PAN - DRIP - EXTERIOR - BRIGHT WHITE

**WATER & SEWAGE GROUP (CONTINUED)**  
**COMPONENT PARTS FOR WATER SYSTEM**



051391-03-000

**WATER & SEWAGE GROUP (CONTINUED)**  
**COMPONENT PARTS FOR WATER SYSTEM (CONTINUED)**

**051391-03-000 (CONTINUED)**

<b>KEY</b>	<b>PART NUMBER</b>	<b>U/M</b>	<b>DESCRIPTION</b>	<b>VENDOR NO.</b>
3	051393-01-701	EA	SWITCH - REMOTE - W/LIGHT	91959
4	051391-01-704	EA	VALVE-RELIEF, 1/2" FITTING	91604
5	051391-01-705	EA	FASTENER-CAMLOCK	92609
6	051391-04-701	EA	THERMOSTAT 12V DC-120 PRESET	91470
7	051393-01-721	EA	THERMOSTAT W/ECO, 140 FRT MT	91447
9	051391-04-707	EA	KIT-EXHAUST, (FLUE & GASKET)	90960
10	051391-01-710	EA	ORIFICE-MAIN BURNER	92742
12	051391-04-703	EA	BURNER-MAIN/ELECTRONIC	91638
13	051391-01-714	EA	FITTING-ELBOW 45,3/8F X 3/8	MPT 1044
14	051391-03-700	EA	HOLDER-ORIFICE	91563
16	051391-01-715	EA	PLUG-DRAIN, 1 EA = 2 PER PKG	91857
17	051391-01-700	EA	HINGE KIT, (PIN & CLIP)	92568&92559
18	051391-04-706	EA	TANK-INNER,G6A-4E&6E FRT. MT	91641
	051391-01-717	EA	GRILLE-WATER HEATER DOOR	92640
	051393-01-723	EA	SWITCH - THERMAL CUTOUT 2/PK	93866
	051393-01-724	EA	BOARD-CIRCUIT,SPADE TERMINAL	93865
	051393-01-725	EA	ELECTRODE-SGL SPADE CONNECT.	93868
	051393-01-726	EA	VALVE-SOLENOID, W/O BRACKET	93870
	111129-01-711	EA	BRACKET-CORNER, SET OF FOUR	91928
			CONTACT WINNEBAGO PARTS SALES FOR UNLISTED COMPONENTS	

**098607-01-000**

<b>KEY</b>	<b>PART NUMBER</b>	<b>U/M</b>	<b>DESCRIPTION</b>	<b>VENDOR NO.</b>
	098607-01-702	EA	DIAPHRAGM/DRIVE ASSEMBLY KIT	94-238-04
	098607-01-703	EA	VALVE KIT	94-232-00
	098607-01-705	EA	VALVE-CHECK, KIT	94-237-00
	098607-01-706	EA	HOUSING, W/SWITCH ONLY	94-231-20
	098607-01-707	EA	MOTOR W/BASEPLATE	11-148-04

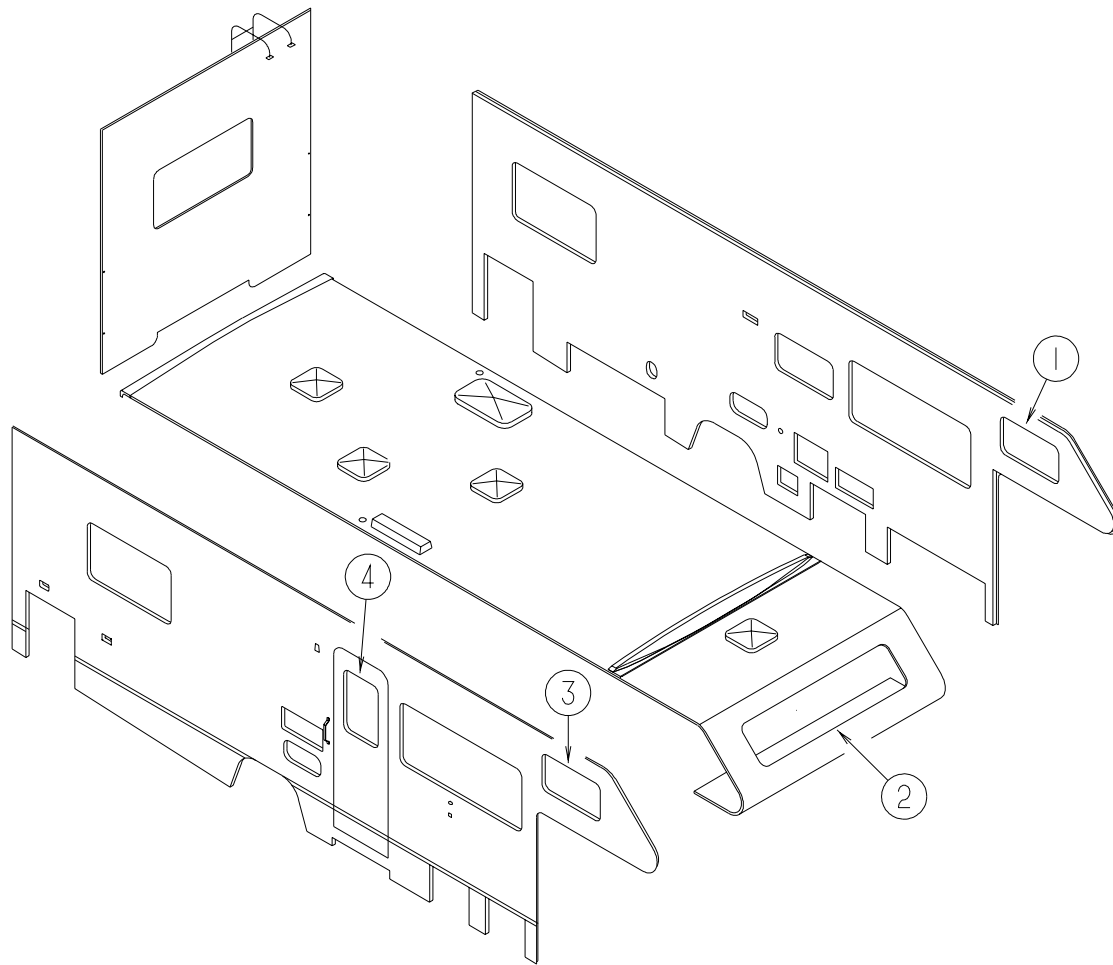
**110506-59-000 - 110506-59-009**

<b>KEY</b>	<b>PART NUMBER</b>	<b>U/M</b>	<b>DESCRIPTION</b>	<b>VENDOR NO .</b>
	110506-40-700	EA	HDWE KIT	596950AAL
	110506-59-701	EA	KEY BLANK (GOLD)	



## WINDOW & VENTS GROUP

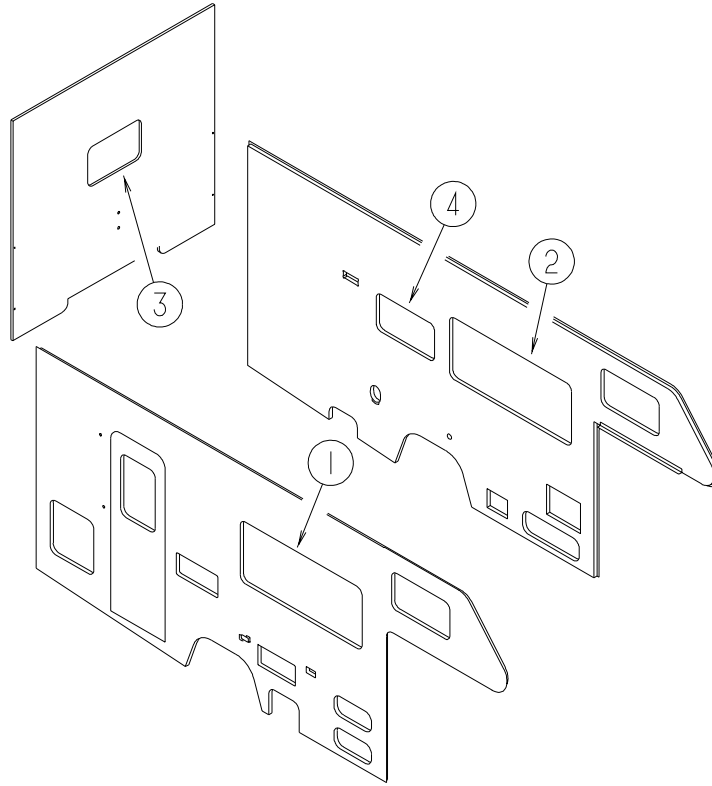
### WINDOW & VENT LAYOUT



KEY	PART NUMBER	U/M	DESCRIPTION
1*	098647-32-02A	EA	WINDOW - DRIVER HORIZ SLIDER W/TRIM - CLEAR - 15.7"X 28.5"
1*	112795-73-01A	EA	WINDOW - DRIVER HORIZONTAL SLIDER - THERMO - 15.9" X 28.7"
2	103313-03-F15	EA	WINDOW - PICTURE - 16.3" X 71.1" (INSIDE FRAME #117054)
	002181-29-000	EA	GLASS - PICTURE WINDOW - 71"W X 16.2"H - TINTED
	099154-01-000	FT	CHANNEL - GLAZING - STATIONARY GLASS - .62" X .45" - BLK
	117054-01-02A	EA	RETAINER - TRIM - BLACK
2*	115630-03-01A	EA	WINDOW-STATIONARY/THERMO 2 PC-17.1" X 72" - BLACK I/S TRIM
3*	098647-31-02A	EA	WINDOW - PASS HORIZ SLIDER W/TRIM - CLEAR - 15.7" X 28.5"
3*	112795-72-01A	EA	WINDOW - PASSENGER HORIZ SLIDER - THERMO - 28.5" X 15.7"
4	117053-04-FB1	EA	WINDOW - PICTURE - CLEAR - 17" X 26.4" - W/O RETAINER
	002181-27-000	EA	GLASS - PICTURE WINDOW - 25.8"W X 16.4"H - CLEAR
	087561-01-000	FT	SEAL - GLASS - EXTERIOR - .5" WIDE - VINYL BLACK
	117054-02-03A	EA	RETAINER - TRIM - BLACK
4*	113733-10-01A	EA	WINDOW - STATIONARY - THERMO - 26.3" X 17"
	084073-04-000	EA	BASE/VENT - ROOF/REFRIGERATOR - BLACK - NORCOLD
	084073-07-000	EA	VENT - ROOF/REFRIGERATOR - BRIGHT WHITE - NORCOLD
*	122882-01-01A	EA	VENT - ROOF - NONPOWERED - W/O INSIDE GARNISH
*	122882-02-01A	EA	VENT - ROOF - W/FAN - W/O INSIDE GARNISH - UL
	048648-01-000	EA	MOTOR - ROOF VENT - 1/8 SHAFT - 12VOLT
	048649-01-000	EA	FAN BLADE - ROOF VENT - 6 BLADES - 6"
*	122882-03-01A	EA	VENT - ROOF - W/FAN - W/O INSIDE GARNISH - CSA
	048648-01-000	EA	MOTOR - ROOF VENT - 1/8 SHAFT - 12VOLT
	048649-01-000	EA	FAN BLADE - ROOF VENT - 6 BLADES - 6"
	009440-01-000	EA	GEAR/ARM - LIFT - ROOF VENT COVER
	122882-06-01A	EA	GARNISH - ROOF VENT - 1" TO 2.5"
	122882-07-01A	EA	GARNISH - ROOF VENT - 2.5" TO 4.1"

**\*COMPONENT PARTS LISTED LATER IN THIS GROUP**

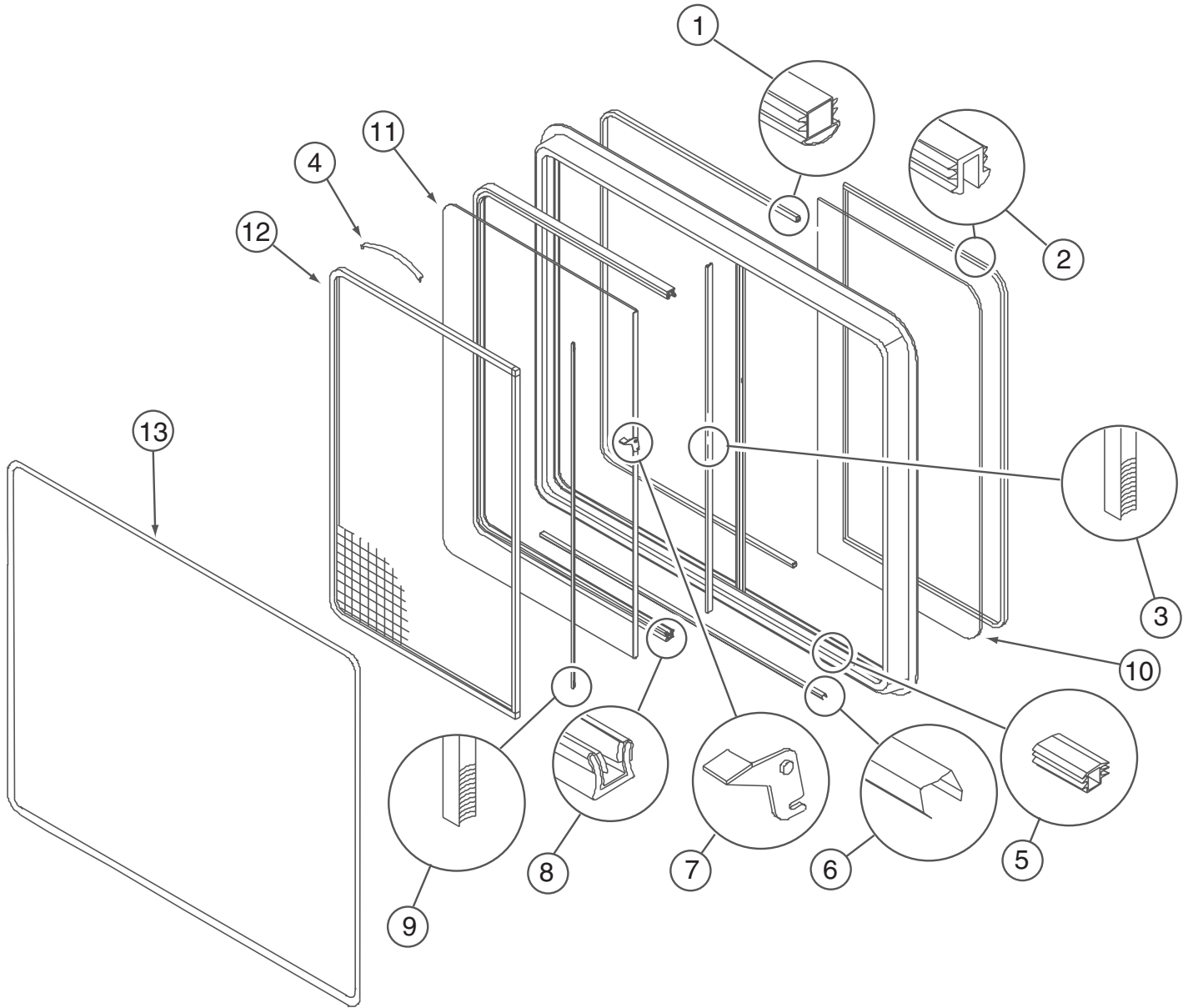
**WINDOW & VENTS GROUP (CONTINUED)**  
**WINDOW & VENT LAYOUT (CONTINUED)**



KEY	PART NUMBER	U/M	DESCRIPTION
1*	098647-27-02A	EA	WINDOW - PASS HORIZ SLIDER W/TRIM - CLEAR - 26.1" X 59.7"
1*	112795-69-01A	EA	WINDOW - PASSENGER HORIZ SLIDER - THERMO - 26.3" X 60"
2*	098647-28-02A	EA	WINDOW - DRIVER HORIZ SLIDER W/TRIM-CLEAR- 59.7" X 26.1"
2*	112795-68-01A	EA	WINDOW - DRIVER HORIZ SLIDER - THERMO - 26.3" X 60"
3	117053-04-FB1	EA	WINDOW - PICTURE - CLEAR - 17" X 26.4" - W/O RETAINER
	002181-27-000	EA	GLASS - PICTURE WINDOW - 25.8"W X 16.4"H - CLEAR
	087561-01-000	FT	SEAL - GLASS - EXTERIOR - .5" WIDE - VINYL BLACK
	117054-02-03A	EA	RETAINER - TRIM - BLACK
3*	113733-11-01A	EA	WINDOW - STATIONARY - THERMO/EUROPEAN - 17" X 26.3"
4*	098647-32-02A	EA	WINDOW - DRIVER HORIZ SLIDER W/TRIM - CLEAR - 15.7"X 28.5"
4*	112795-73-01A	EA	WINDOW - DRIVER HORIZONTAL SLIDER - THERMO - 15.9" X 28.7"
	084616-07-000	EA	SHROUD - EXHAUST VENT/RANGE HOOD - BRIGHT WHITE
	084878-09-000	EA	VENT - EXHAUST/RANGE HOOD - OFF WHITE
*	123780-01-01A	EA	FANTASTIC VENT - 1" ROOF - W/FAN - W/O THERMOSTAT/PWR LIFT
	122193-01-02A	EA	PANEL - SKYLITE - INNER
	122192-01-02A	EA	PANEL - SKYLITE - OUTER - 18.6" X 30" BASE MEASUREMENTS
			FROM: 00-00-00 THRU: 04-18-02
	138379-02-01A	EA	PANEL/SKYLIGHT OTR - RECT/4"H CTR DOME - 18.4" X 29.5- WHT
			FROM: 04-19-02 THRU: 99-99-99
	138372-01-12B	EA	TRIM - CORNER - SKYLIGHT - BRIGHT WHITE
			FROM: 04-19-02 THRU: 99-99-99

**\*COMPONENT PARTS LISTED LATER IN THIS GROUP**

**WINDOW & VENTS GROUP (CONTINUED)**  
**COMPONENT PARTS FOR WINDOWS & VENT LAYOUT**



**098647-27-02A**

KEY	PART NUMBER	U/M	DESCRIPTION	VENDOR NO.
1	098644-01-716	FT	PLUG - FILLER	132-014470
2	098644-01-705	FT	GLAZING - STRIP	132-010231
3	098644-01-706	FT	WEATHERSTRIP - GLASS	171-010668
4	098644-01-713	EA	CLIP - SCREEN - METAL	226-016966
4	125582-01-701	EA	CLIP - SCREEN - PLASTIC	130-005153
5	098644-01-719	EA	STOP - SLIDER GLASS	132-014203
6	098644-01-710	FT	TRACK - SCREEN SPACER 12'	132-017135
7	098644-01-700	EA	LATCH - REPAIR KIT (BLACK)	B801-CK
8	098644-01-708	FT	CHANNEL - RUN PIERCED	122-016543
9	098644-01-711	FT	WEATHERSTRIP - SCREEN BLACK	171-016965
10	098647-27-702	EA	GLASS - STATIONARY	096-017868
11	098647-27-703	EA	GLASS-SLIDING W/SASH & LATCH	H287-C8
12	098647-23-704	EA	SCREEN ASM - W/SEALS & CLIPS	410-019066
13	098647-27-704	EA	RETAINER - TRIM	H287-66
	098644-01-717	FT	SPLINE - SCREEN	132-004716

**WINDOW & VENTS GROUP (CONTINUED)**  
**COMPONENT PARTS FOR WINDOWS & VENT LAYOUT (CONTINUED)**

**098647-28-02A**

<b>KEY</b>	<b>PART NUMBER</b>	<b>U/M</b>	<b>DESCRIPTION</b>	<b>VENDOR NO.</b>
1	098644-01-716	FT	PLUG - FILLER	132-014470
2	098644-01-705	FT	GLAZING - STRIP	132-010231
3	098644-01-706	FT	WEATHERSTRIP - GLASS	171-010668
4	098644-01-713	EA	CLIP - SCREEN - METAL	226-016966
4	125582-01-701	EA	CLIP - SCREEN - PLASTIC	130-005153
5	098644-01-719	EA	STOP - SLIDER GLASS	132-014203
6	098644-01-710	FT	TRACK - SCREEN SPACER 12'	132-017135
7	098644-01-700	EA	LATCH - REPAIR KIT (BLACK)	B801-CK
8	098644-01-708	FT	CHANNEL - RUN PIERCED	122-016543
9	098644-01-711	FT	WEATHERSTRIP - SCREEN BLACK	171-016965
10	098647-27-702	EA	GLASS - STATIONARY	096-01868
11	098647-27-703	EA	GLASS-SLIDING W/SASH & LATCH	H287-C8
12	098647-23-704	EA	SCREEN ASM - W/SEALS & CLIPS	410-019066
13	098647-27-704	EA	RETAINER - TRIM	H287-66
	098644-01-717	FT	SPLINE - SCREEN	132-004716

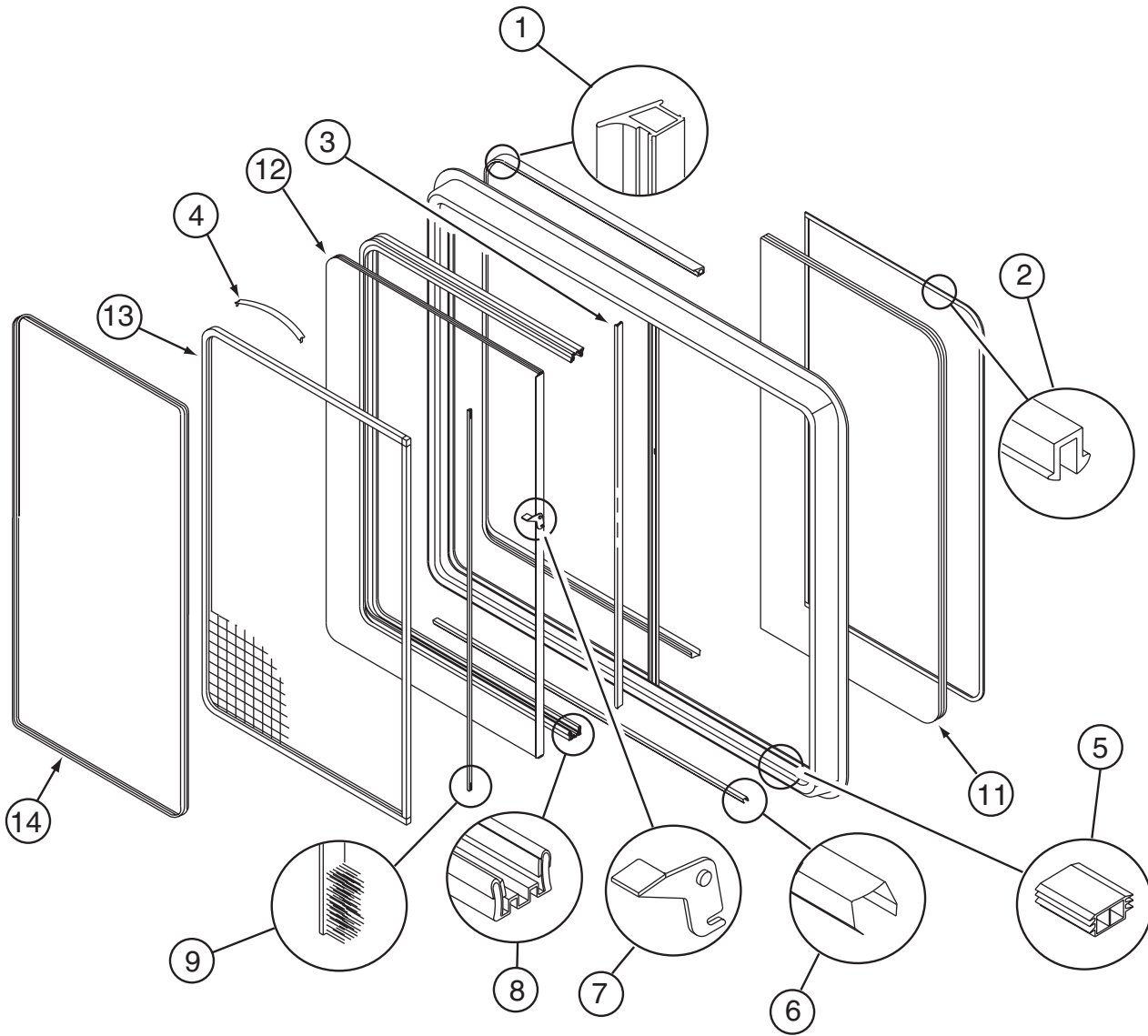
**098647-31-02A**

<b>KEY</b>	<b>PART NUMBER</b>	<b>U/M</b>	<b>DESCRIPTION</b>	<b>VENDOR NO.</b>
1	098644-01-716	FT	PLUG - FILLER	132-014470
2	098644-01-705	FT	GLAZING - STRIP	132-010231
3	098644-01-706	FT	WEATHERSTRIP - GLASS	171-010668
4	098644-01-713	EA	CLIP - SCREEN - METAL	226-016966
4	125582-01-701	EA	CLIP - SCREEN - PLASTIC	130-005153
5	098644-01-719	EA	STOP - SLIDER GLASS	132-014203
6	098644-01-710	FT	TRACK - SCREEN SPACER 12'	132-017135
7	098644-01-700	EA	LATCH - REPAIR KIT (BLACK)	B801-CK
8	098644-01-708	FT	CHANNEL - RUN PIERCED	122-016543
9	098644-01-711	FT	WEATHERSTRIP - SCREEN BLACK	171-016965
10	098647-31-702	EA	GLASS - STATIONARY	096-019299
11	098647-31-703	EA	GLASS-SLIDING W/SASH & LATCH	H425-C8
12	098647-31-704	EA	SCREEN ASM - W/SEALS & CLIPS	410-019128
13	098647-31-705	EA	RETAINER - TRIM	CH29-66
	098644-01-717	FT	SPLINE - SCREEN	132-004716

**098647-32-02A**

<b>KEY</b>	<b>PART NUMBER</b>	<b>U/M</b>	<b>DESCRIPTION</b>	<b>VENDOR NO.</b>
1	098644-01-716	FT	PLUG - FILLER	132-014470
2	098644-01-705	FT	GLAZING - STRIP	132-010231
3	098644-01-706	FT	WEATHERSTRIP - GLASS	171-010668
4	098644-01-713	EA	CLIP - SCREEN - METAL	226-016966
4	125582-01-701	EA	CLIP - SCREEN - PLASTIC	130-0
5	098644-01-719	EA	STOP - SLIDER GLASS	132-014203
6	098644-01-710	FT	TRACK - SCREEN SPACER 12'	132-017135
7	098644-01-700	EA	LATCH - REPAIR KIT (BLACK)	B801-CK
8	098644-01-708	FT	CHANNEL - RUN PIERCED	122-016543
9	098644-01-711	FT	WEATHERSTRIP - SCREEN BLACK	171-016965
10	098647-31-702	EA	GLASS - STATIONARY	096-019299
11	098647-31-703	EA	GLASS-SLIDING W/SASH & LATCH	H425-C8
12	098647-31-704	EA	SCREEN ASM - W/SEALS & CLIPS	410-019128
13	098647-31-705	EA	RETAINER - TRIM	CH29-66
	098644-01-717	FT	SPLINE - SCREEN	132-004716

**WINDOW & VENTS GROUP (CONTINUED)**  
**COMPONENT PARTS FOR WINDOWS & VENT LAYOUT (CONTINUED)**



**112795-68-01A**

KEY	PART NUMBER	U/M	DESCRIPTION	VENDOR NO.
1	112795-01-704	FT	PLUG FILLER (DOUBLE GLAZED)	122-018737
2	112795-01-705	FT	VINYL - GLAZING	132-025736
3	098644-01-706	FT	WEATHERSTRIP - GLASS	171-010668
4	098644-01-713	EA	CLIP - SCREEN - METAL	226-016966
4	125582-01-701	EA	CLIP - SCREEN - PLASTIC	130-005153
	098644-01-717	FT	SPLINE - SCREEN	132-004716
5	112795-01-701	EA	SLIDE-STOP	132-019092
6	098644-01-710	FT	TRACK - SCREEN SPACER 12'	132-017135
7	112795-01-700	EA	LATCH ASM., BLK.,(BOLT ON)	DH287-CK
8	112795-01-703	IN	CHANNEL-RUN (INCHES)	122-018736
9	098644-01-711	FT	WEATHERSTRIP - SCREEN BLACK	171-016965
11	112795-68-700	EA	GLASS - STATIONARY	390-028353
12	112795-68-701	EA	GLASS - SLIDING W/SASH LATCH	390-028353
13	098647-23-704	EA	SCREEN ASSY - W/SEAL & CLIPS	410-019066
14	098647-27-704	EA	RETAINER - TRIM	H287-66

**WINDOW & VENTS GROUP (CONTINUED)**  
**COMPONENT PARTS FOR WINDOWS & VENT LAYOUT (CONTINUED)**

**112795-69-01A**

<b>KEY</b>	<b>PART NUMBER</b>	<b>U/M</b>	<b>DESCRIPTION</b>	<b>VENDOR NO.</b>
1	112795-01-704	FT	PLUG FILLER (DOUBLE GLAZED)	122-018737
2	112795-01-705	FT	VINYL - GLAZING	132-025736
3	098644-01-706	FT	WEATHERSTRIP - GLASS	171-010668
4	098644-01-713	EA	CLIP - SCREEN - METAL	226-016966
4	125582-01-701	EA	CLIP - SCREEN - PLASTIC	130-005153
	098644-01-717	FT	SPLINE - SCREEN	132-004716
5	112795-01-701	EA	SLIDE-STOP	132-019092
6	098644-01-710	FT	TRACK - SCREEN SPACER 12'	132-017135
7	112795-01-700	EA	LATCH ASM., BLK.,(BOLT ON)	DH287-CK
8	112795-01-703	IN	CHANNEL-RUN (INCHES)	122-018736
9	098644-01-711	FT	WEATHERSTRIP - SCREEN BLACK	171-016965
11	112795-68-700	EA	GLASS - STATIONARY	390-028353
12	112795-68-701	EA	GLASS - SLIDING W/SASH LATCH	390-028353
13	098647-23-704	EA	SCREEN ASSY - W/SEAL & CLIPS	410-019066
14	098647-27-704	EA	RETAINER - TRIM	H287-66

**112795-72-01A**

<b>KEY</b>	<b>PART NUMBER</b>	<b>U/M</b>	<b>DESCRIPTION</b>	<b>VENDOR NO.</b>
1	112795-01-704	FT	PLUG FILLER (DOUBLE GLAZED)	122-018737
2	112795-01-705	FT	VINYL - GLAZING	132-025736
3	098644-01-706	FT	WEATHERSTRIP - GLASS	171-010668
4	098644-01-713	EA	CLIP - SCREEN - METAL	226-016966
4	125582-01-701	EA	CLIP - SCREEN - PLASTIC	130-005153
	098644-01-717	FT	SPLINE - SCREEN	132-004716
5	112795-01-701	EA	SLIDE-STOP	132-019092
6	098644-01-710	FT	TRACK - SCREEN SPACER 12'	132-017135
7	112795-01-700	EA	LATCH ASM., BLK.,(BOLT ON)	DH287-CK
8	112795-01-703	IN	CHANNEL-RUN (INCHES)	122-018736
9	098644-01-711	FT	WEATHERSTRIP - SCREEN BLACK	171-016965
11	112795-72-700	EA	GLASS - STATIONARY	390-028307
12	112795-72-701	EA	GLASS - SLIDING W/SASH LATCH	DC29-G8
13	098647-31-704	EA	SCREEN ASSY - W/SEAL & CLIPS	410-019128
14	098647-31-705	EA	RETAINER - TRIM	CH29-66

**112795-73-01A**

<b>KEY</b>	<b>PART NUMBER</b>	<b>U/M</b>	<b>DESCRIPTION</b>	<b>VENDOR NO.</b>
1	112795-01-704	FT	PLUG FILLER (DOUBLE GLAZED)	122-018737
2	112795-01-705	FT	VINYL - GLAZING	132-025736
3	098644-01-706	FT	WEATHERSTRIP - GLASS	171-010668
4	098644-01-713	EA	CLIP - SCREEN - METAL	226-016966
4	125582-01-701	EA	CLIP - SCREEN - PLASTIC	130-005153
	098644-01-717	FT	SPLINE - SCREEN	132-004716
5	112795-01-701	EA	SLIDE-STOP	132-019092
6	098644-01-710	FT	TRACK - SCREEN SPACER 12'	132-017135
7	112795-01-700	EA	LATCH ASM., BLK.,(BOLT ON)	DH287-CK
8	112795-01-703	IN	CHANNEL-RUN (INCHES)	122-018736
9	098644-01-711	FT	WEATHERSTRIP - SCREEN BLACK	171-016965
11	112795-72-700	EA	GLASS - STATIONARY	390-028307
12	112795-72-701	EA	GLASS - SLIDING W/SASH LATCH	DC29-G8
13	098647-31-704	EA	SCREEN ASSY - W/SEAL & CLIPS	410-019128
14	098647-31-705	EA	RETAINER - TRIM	CH29-66

**WINDOW & VENTS GROUP (CONTINUED)**  
**COMPONENT PARTS FOR WINDOWS & VENT LAYOUT (CONTINUED)**

**113733-04-01A, 113733-10-01A, 113733-11-01A**

<b>KEY</b>	<b>PART NUMBER</b>	<b>U/M</b>	<b>DESCRIPTION</b>	<b>VENDOR NO.</b>
	112795-01-705	FT	VINYL - GLAZING	132-025736
	113733-10-700	EA	GLASS-STATIONARY	390-028306
	113733-10-701	EA	RETAINER-TRIM	H416-66

**115630-03-01A**

<b>KEY</b>	<b>PART NUMBER</b>	<b>U/M</b>	<b>DESCRIPTION</b>	<b>VENDOR NO.</b>
	115630-01-703	EA	RETAINER - TRIM	B438-58
	115630-01-705	EA	TAPE - BUTYL	154-011956
	115630-03-700	EA	GLASS-STATIONARY	390-028309
	116000-01-704	FT	VINYL - GLAZING	132-018161

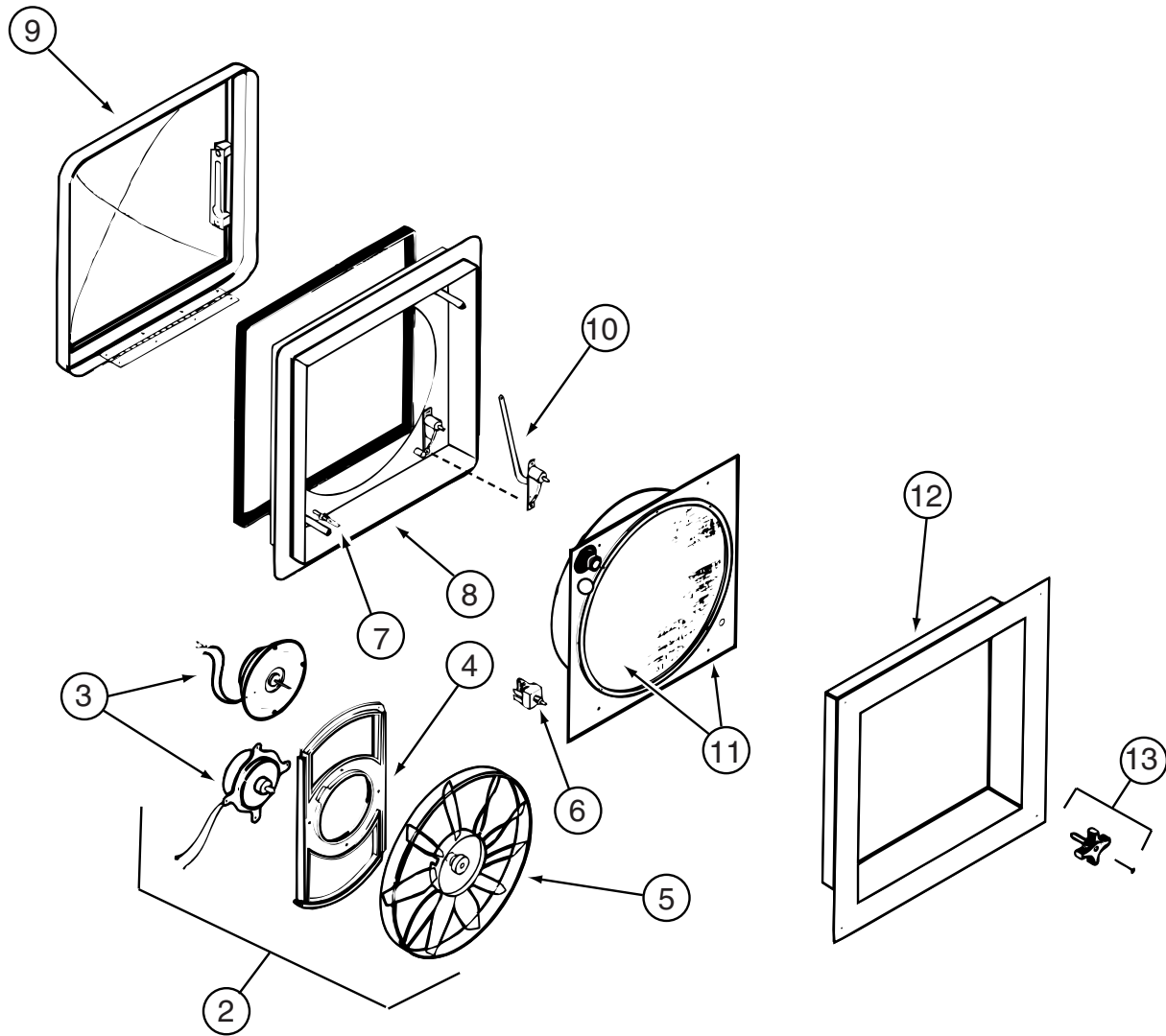
**122882-01-01A**

<b>KEY</b>	<b>PART NUMBER</b>	<b>U/M</b>	<b>DESCRIPTION</b>	<b>VENDOR NO.</b>
	009440-01-000	EA	GEAR-ARM-ROOF VENT	705221K38
	064470-01-700	EA	COVER - VENT - W/O SLIDE BAR	J7291
	064470-01-701	EA	SLIDE BAR - VENT LID	JRP1291B
	122882-01-701	EA	SCREEN	JRP-1124-B
	122882-01-702	EA	HANDLE - CRANK - WHITE	JRP1031B

**122882-02-01A, 122882-03-01A**

<b>KEY</b>	<b>PART NUMBER</b>	<b>U/M</b>	<b>DESCRIPTION</b>	<b>VENDOR NO.</b>
	064470-01-700	EA	COVER - VENT - W/O SLIDE BAR	J7291
	009440-01-000	EA	GEAR-ARM-ROOF VENT	705221K38
	048648-01-000	EA	MOTOR-12V NONVENTED 1/8 SFT	
	048649-01-000	EA	FAN-PLAS-6 IN 6 BLADED	
	122882-01-701	EA	SCREEN	JRP-1124-B
	122882-01-702	EA	HANDLE - CRANK - WHITE	JRP1031B
	064470-01-701	EA	SLIDE BAR - VENT LID	JRP1291B
	110051-03-700	EA	SWITCH-BLACK/PUSH BUTTON	27-0164

**WINDOW & VENTS GROUP (CONTINUED)**  
**COMPONENT PARTS FOR WINDOWS & VENT LAYOUT (CONTINUED)**



**123780-01-01A**

KEY	PART NUMBER	U/M	DESCRIPTION	VENDOR NO.
2	084079-11-700	EA	MOTOR, BRKT., FAN BLADE, KIT	4017K-09
3	084079-01-705	EA	MOTOR	1080-00
4	084079-01-711	EA	H-MOLDING, MOTOR MOUNT	
5	084079-01-704	EA	BLADE-FAN	1070-00
6	084079-01-709	EA	SWITCH - MAIN - 3 SPEED	1031-05
7	084079-01-707	EA	SWITCH - SAFETY	1122.05
8	123780-05-700	EA	BASE - MAIN BRIGHT WHITE	1010K-81
9	123780-01-700	EA	COVER - VENT W/HINGE & SLIDE	1020K-81
10	009440-01-000	EA	GEAR/ARM - LIFT - ROOF VENT COVER	
11	123780-01-703	EA	SCREEN ASM. 15-25MM W/SWITCH	1030BT-81
12	123780-01-701	EA	GARNISH - INT 3/4-1" BRT/WHT	0040-81
13	084079-01-703	EA	KNOB-LIFT, W/EXT. & SCR	1140K-00
	123780-01-702	EA	SCREEN W/FRAME	103581
	084079-01-706	EA	PLUG, 12 VOLT	1090

CONTACT WINNEBAGO PART SALES FOR UNLISTED COMPONENTS