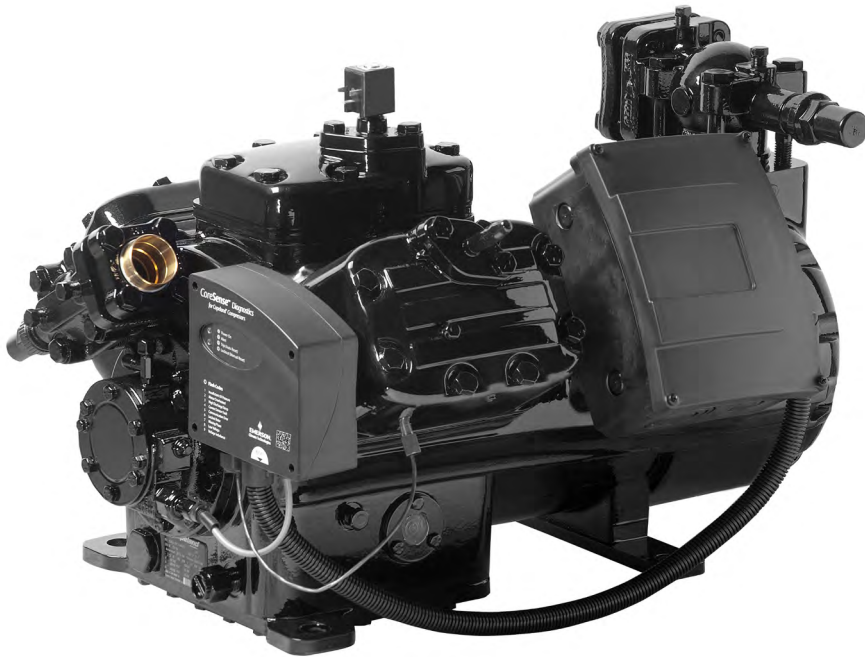


Application Guidelines

Copeland™ Stream Digital Semi-Hermetic Compressors

4MFD-13X to 6MKD-50X



- About these guidelines 1**
- 1 Safety instructions 1**

 - 1.1 Icon explanation 1
 - 1.2 Safety statements 1
 - 1.3 General instructions 2
- 2 Product description 3**

 - 2.1 General information about Copeland™ Stream Digital semi-hermetic compressors 3
 - 2.2 Nomenclature 3
 - 2.3 Nameplate information 4
 - 2.4 Application range 4
 - 2.4.1 Qualified refrigerants and oils 4
 - 2.4.2 Application limits 5
 - 2.5 Design features 5
 - 2.5.1 Compressor construction 5
 - 2.5.2 Digital theory of operation 5
 - 2.5.3 Digital control 7
 - 2.5.4 Recommended application settings for modulation on Stream Digital compressors 7
 - 2.5.5 Digital solenoid valve / Gaskets 7
 - 2.5.6 Compressor cooling 7
 - 2.5.7 Unloaded start 7
 - 2.5.8 Oil pumps 8
 - 2.5.9 Oil pressure 8
 - 2.5.10 Oil circulation 8
 - 2.5.11 Oil level 8
 - 2.5.12 Multiple-compressor applications 9
- 3 Installation 10**

 - 3.1 Compressor handling 10
 - 3.1.1 Delivery 10
 - 3.1.2 Transport and storage 10
 - 3.1.3 Positioning and securing 10
 - 3.1.4 Installation location 11
 - 3.1.5 Mounting parts 11
 - 3.2 Pressure safety controls 11
 - 3.2.1 High-pressure control 11
 - 3.2.2 Low-pressure control 11
 - 3.2.3 Maximum allowable pressures 11
 - 3.3 Brazing procedure 12
 - 3.4 Screens 12

4	Electrical connection	13
4.1	General recommendations.....	13
4.2	Electrical installation	13
4.2.1	<i>Part-winding motors (YY/Y) – Code A</i>	13
4.2.2	<i>Star / Delta motors (Y/Δ) – Code E</i>	13
4.2.3	<i>Terminal box isolators and jumper position</i>	14
4.3	Wiring diagrams	14
4.3.1	<i>Compressors with Next Generation CoreSense module</i>	14
4.3.2	<i>Compressors with CoreSense Protection module</i>	17
4.3.3	<i>Compressors with CoreSense Diagnostics module</i>	19
4.4	Protection devices.....	20
4.5	Next Generation CoreSense™	21
4.5.1	<i>Next Gen CoreSense specifications</i>	21
4.5.2	<i>Next Gen CoreSense features</i>	21
4.6	CoreSense™ Protection	22
4.6.1	<i>Motor protection</i>	22
4.6.2	<i>Oil pressure control</i>	23
4.7	CoreSense™ Diagnostics (until December 2019 included)	24
4.8	Crankcase heaters.....	25
5	Start-up & operation.....	27
5.1	Leak test.....	27
5.2	System evacuation.....	27
5.3	Preliminary checks – Pre-starting	27
5.4	Charging procedure	27
5.5	Initial start-up	28
5.6	Minimum run time	28
5.7	Pump-down.....	28
6	Maintenance & repair	29
6.1	Provisions of legislation & leak check requirements.....	29
6.2	Exchanging the refrigerant.....	29
6.3	Replacing a compressor	30
6.4	Lubrication and oil removal	30
6.5	Oil additives	31
6.6	Unbrazing system components	31
7	Dismantling & disposal.....	31
	Appendix 1: Connections of Stream Digital compressors.....	32
	Appendix 2: Tightening torques in Nm	33
	Disclaimer	33

About these guidelines

The purpose of these application guidelines is to provide guidance in the application of Copeland™ Stream Digital semi-hermetic compressors 4M*D and 6M*D. They are intended to answer the questions raised while designing, assembling and operating a system with these products.

Besides the support they provide, the instructions listed herein are also critical for the proper and safe functioning of the compressors. The performance and reliability of the product may be impacted if the product is not used according to these guidelines or is misused.

These application guidelines cover stationary applications only. For mobile applications, contact Application Engineering as other considerations may apply.

1 Safety instructions




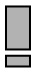


Copeland™ semi-hermetic compressors are manufactured according to the latest European safety standards. Particular emphasis has been placed on the user's safety.

These compressors are intended for installation in systems according to the Machinery Directive MD 2006/42/EC. They may be put to service only if they have been installed in these systems according to instructions and conform to the corresponding provisions of legislation. For relevant standards please refer to the Manufacturer's Declaration, available at www.climate.emerson.com/en-gb.

These instructions should be retained throughout the lifetime of the compressor.

You are strongly advised to follow these safety instructions.

1.1 Icon explanation

 <p>WARNING This icon indicates instructions to avoid personal injury and material damage.</p>	 <p>CAUTION This icon indicates instructions to avoid property damage and possible personal injury.</p>
 <p>High voltage This icon indicates operations with a danger of electric shock.</p>	 <p>IMPORTANT This icon indicates instructions to avoid malfunction of the compressor.</p>
 <p>Danger of burning or frost burn This icon indicates operations with a danger of burning or frost burn.</p>	<p>NOTE This word indicates a recommendation for easier operation.</p>
 <p>Explosion hazard This icon indicates operations with a danger of explosion.</p>	

1.2 Safety statements

- Refrigerant compressors must be employed only for their intended use.
- Only qualified and authorized HVAC or refrigeration personnel are permitted to install, commission and maintain this equipment.
- Electrical connections must be made by qualified electrical personnel.
- All valid standards for connecting electrical and refrigeration equipment must be observed.
- The national legislation and regulations regarding personnel protection must be observed.



Use personal safety equipment. Safety goggles, gloves, protective clothing, safety boots and hard hats should be worn where necessary.

1.3 General instructions



WARNING

System breakdown! Personal injuries! Never install a system in the field and leave it unattended when it has no charge, a holding charge, or with the service valves closed without electrically locking out the system.

System breakdown! Personal injuries! Only approved refrigerants and refrigeration oils must be used.



WARNING

High shell temperature! Burning! Do not touch the compressor until it has cooled down. Ensure that other materials in the area of the compressor do not get in touch with it. Lock and mark accessible sections.



CAUTION

Overheating! Bearing damage! Do not operate compressor without refrigerant charge or without it being connected to the system.



CAUTION

Contact with POE! Material damage! POE lubricant must be handled carefully and the proper protective equipment (gloves, eye protection, etc.) must be used at all times. POE must not come into contact with any surface or material that it might damage, including without limitation, certain polymers, eg, PVC/CPVC and polycarbonate.



IMPORTANT

Transit damage! Compressor malfunction! Use original packaging. Avoid collisions and tilting.

2 Product description

2.1 General information about Copeland™ Stream Digital semi-hermetic compressors

These guidelines cover Copeland™ Stream Digital semi-hermetic compressors. The semi-hermetic reciprocating compressor family consists of different ranges. The Stream Digital series of 4M*D and 6M*D models ranges from 13 hp to 50 hp.

Model	Nominal horsepower (cv)	Displacement (m³/h)	Medium temperature ⁽¹⁾				Low temperature ⁽²⁾		Net weight (kg)	Footprint (mm)
			Cooling capacity (kW)	COP	Cooling capacity (kW)	COP	Cooling capacity (kW)	COP		
			R448A / R449A		R134a		R448A / R449A			
4MFD-13x	13	62	27.70	2.15	18.25	2.40	8.51	1.35	177	381 x 305
4MAD-22X	22		31.50	2.51	18.95	2.48	8.15	1.32	178	
4MLD-15X	15	71	35.70	2.37	22.10	2.46	10.80	1.42	180	
4MHD-25X	25		35.90	2.41	21.80	2.40	9.82	1.30	187	
4MMD-20X	20	78	39.00	2.34	24.40	2.46	12.10	1.42	182	
4MID-30X	30		40.60	2.46	24.10	2.44	11.15	1.36	188	
4MTD-22X	22	88	44.10	2.33	27.80	2.46	13.85	1.43	183	
4MJD-33X	33		44.60	2.41	27.00	2.43	12.55	1.36	190	
4MUD-25X	25	99	48.90	2.25	30.60	2.39	14.80	1.37	186	
4MKD-35X	35		50.20	2.34	30.30	2.40	14.25	1.33	202	
6MMD-30X	30	120	58.40	2.29	36.90	2.41	18.15	1.38	215	
6MID-40X	40		61.30	2.45	35.50	2.32	17.70	1.37	219	
6MTD-35X	35	135	64.60	2.25	41.60	2.41	20.40	1.39	221	
6MJD-45X	45		68.40	2.40	40.40	2.40	20.20	1.41	223	
6MUD-40X	40	153	75.50	2.39	45.60	2.36	22.90	1.41	225	
6MKD-50X	50		75.60	2.37	43.30	2.22	21.90	1.34	230	

¹⁾ R448A / R449A: evaporating -10 °C, condensing 45 °C, suction gas temperature 20 °C, subcooling 0 K
R134a: evaporating -10 °C, condensing 45 °C, suction superheat 20 K, subcooling 0 K

²⁾ R448A / R449A: evaporating -35 °C, condensing 40 °C, suction gas temperature 0 °C, subcooling 0 K

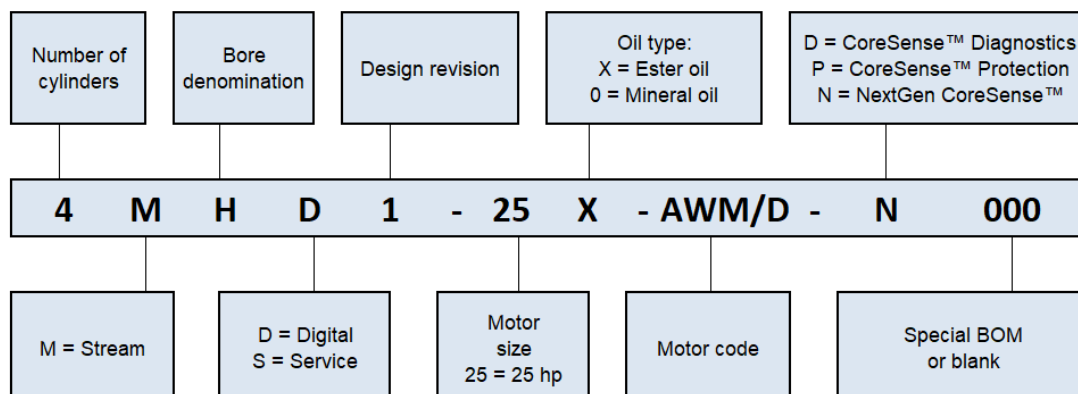
Table 1: Stream Digital compressors range and performance at full load (100 %)

Stream Digital compressors are suitable for a wide range of applications in the form of either single compressors, condensing units or as multi-compressor equipment.

NOTE: The compressor is only one component which must be combined with many others to build a functional and efficient refrigeration system. Therefore, the information in this manual relates to Copeland Stream semi-hermetic compressors with standard equipment and accessories only.

2.2 Nomenclature

The model designation contains the following technical information about Stream compressors:



2.3 Nameplate information

All important information for identification of the compressor is printed on the nameplate located below the compressor oil pump. The type of refrigerant used should be stamped on the nameplate by the installer.



Figure 1: Nameplate location

The year and month of production are shown as part of the serial number (Jan = A, Feb = B, ... Dec = L).

2.4 Application range

2.4.1 Qualified refrigerants and oils



WARNING

Use of R450A and R513A refrigerants! Risk of compressor damage!

Refrigerant migration of R450A or R513A into the compressor crankcase could cause low oil viscosity, which could lead to compressor damage. When using R450A or R513A it is critical to meet the following requirements:

- maintain adequate superheat settings with a minimum superheat of 8-10K;
- no liquid refrigerant migration into the compressor at any time, especially during standstill, during or after defrost, or after reverse mode for example in heat pumps;
- pumpdown is recommended;
- the use of a crankcase heater is mandatory;
- retrofit to R450A and R513A is only allowed for compressors which are approved for these refrigerants.

Contact Application Engineering for any further information.



IMPORTANT

It is essential that the glide of refrigerant blends (primarily R407C) is carefully considered when adjusting pressure and superheat controls.

Oil recharge values can be taken from Copeland™ brand products Select software available at www.climate.emerson.com/en-gb.

Qualified refrigerants	R134a, R404A, R407A, R407C, R407F, R448A, R449A, R450A, R507, R513A	R22
Copeland brand products standard oils	Emkarate RL 32 3MAF	Suniso 3 GS
Servicing oils	Emkarate RL 32 3MAF Mobil EAL Arctic 22 CC	Shell 22-12, Suniso 3 GS Fuchs Reniso KM 32, Capella WF32

Table 2: Qualified refrigerants and oils for recharging and topping up

To recharge:

- When the compressor is completely empty of oil, the amount of oil to be "recharged" is typically 0.12 litre less than the original oil charge (oil will already be present in the system).

To top up:

- During commissioning, planned maintenance or servicing, add oil so that the compressor oil level is between min ¼ and max ¾ of sight glass.

2.4.2 Application limits

For application envelopes please refer to Copeland brand products Select software at www.climate.emerson.com/en-gb.

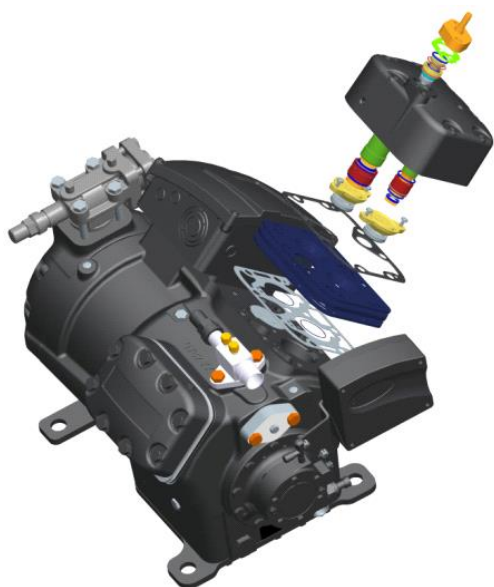
2.5 Design features

2.5.1 Compressor construction

All Stream Digital compressors are fitted with valve plates which cannot be dismantled. To maintain the high capacity of these compressors in case of exchange, the correct valve-plate-to-body gasket must always be selected.

The digital head on 4M*D and 6M*D compressors is fitted on the cylinder bank on the terminal box side.

All 6M*D compressors are equipped with a standard capacity control on the central cylinder bank.



Each cylinder head has a plugged 1/8" – 27 NPTF tapped hole for connecting high-pressure switches.

These high-pressure switches must be calibrated and tested before putting the compressor into service. They must stop the compressor if the allowable pressure is exceeded.

The complete cylinder head is under discharge pressure.

Figure 2: Exploded view of the digital mechanism

The factory delivery of the 4M*D and 6M*D compressors includes the following standard configuration:

- one standard bank;
- one Digital modulated bank;
- one capacity-controlled bank (blocked suction std) **for 6M*D only**.

NOTE: To upgrade 6M* compressors to 6M*D compressors, Emerson recommends to use the central cylinder bank.

2.5.2 Digital theory of operation

Digital technology is now available on the 4M*D and 6M*D compressors. Applied to one bank on a 4M*D compressor it provides 50 to 100 % capacity modulation. When combined with a blocked suction bank on a 6M*D compressor, it provides 33 to 100 %.

Digital capacity control is achieved by using a proven internal unloading method, based on blocking gas to the valve plate suction area. Capacity control can be achieved by varying the percentage of duty cycle when the compressor is loaded and unloaded. The unloader piston mechanism that controls the flow of suction gas into the cylinders is driven by a solenoid valve.

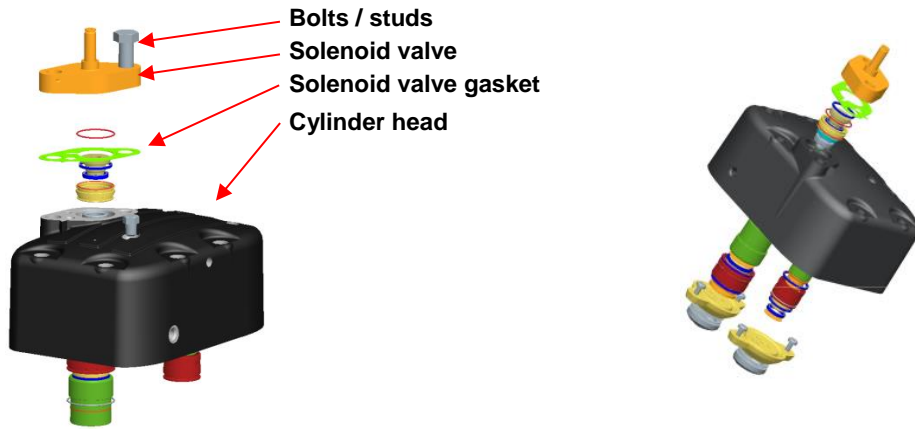
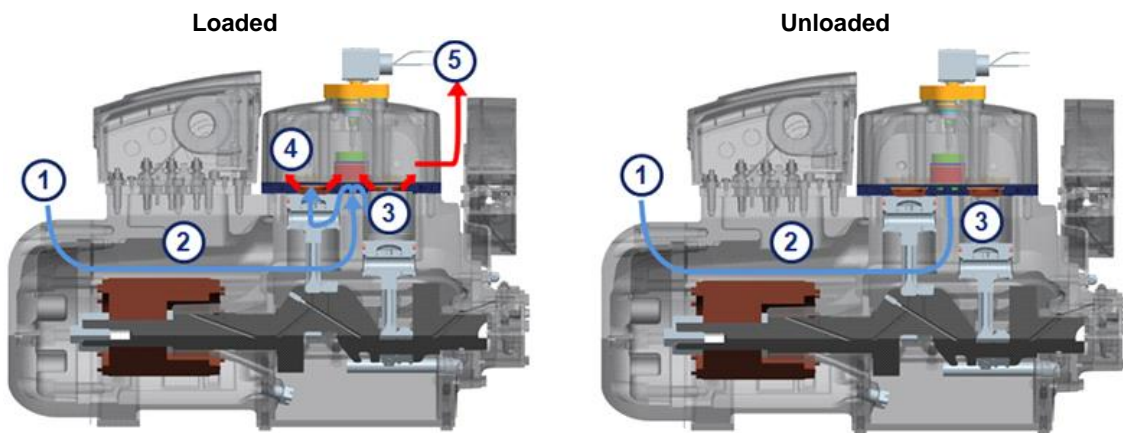


Figure 3: Digital modulation components



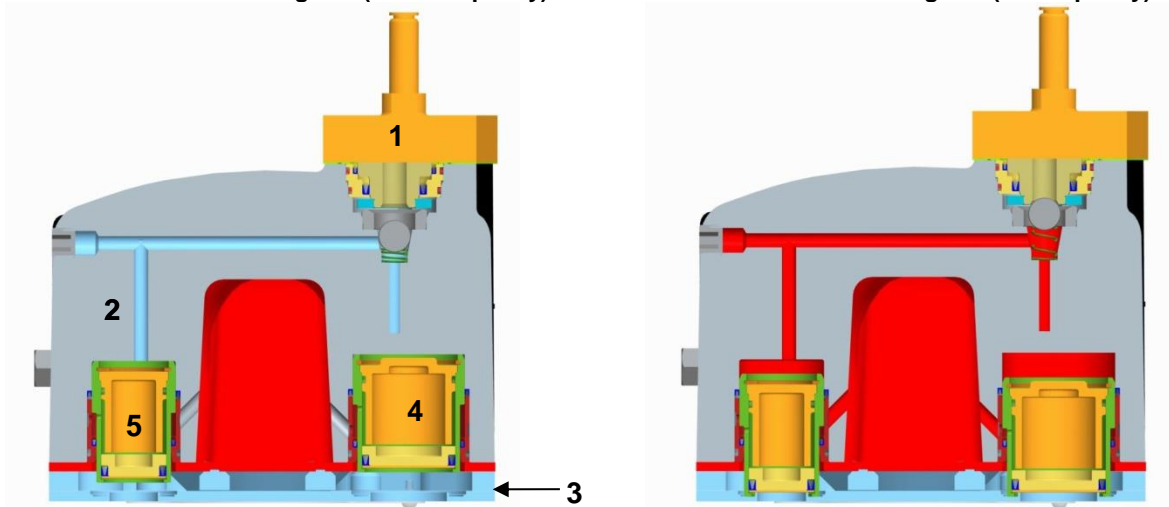
- Loaded**
1. Gas enters the compressor,
 2. passes through the body
 3. into the valve plate.
 4. Compressed gas
 5. exits the compressor.

- Unloaded**
1. Gas enters the compressor,
 2. passes through the body.
 3. Unloader mechanism blocks gas before entering the valve plate.

Figure 4: Gas flow

Loaded – Valve de-energized (100 % capacity)

Unloaded – Valve energized (0 % capacity)



1 = Solenoid valve 2 = Cylinder head 3 = Valve plate

4 & 5 = Unloading pistons

Figure 5: Cutaway view of the Digital cylinder head loaded and unloaded

2.5.3 Digital control

Capacity modulation is achieved by energizing and de-energizing the solenoid valve. When the solenoid valve is de-energized, the Digital bank capacity is 100 %. When the solenoid valve is energized, the Digital bank capacity is zero. Therefore, the capacity achieved is the time average capacity.

Example: In a 20-second cycle, if the solenoid is de-energized for 16 seconds, and then energized for 4 seconds, the resulting capacity will be approximately 80 %.

For 4M*D compressors, one bank of the compressor remains loaded 100 % while the Digital bank will modulate 0 to 100 % to provide the additional capacity. The capacity is 50 to 100 % as one bank is modulating.

On a 6M*D compressor with blocked suction, the blocked suction bank will unload when demand capacity is less than 67 % and load when the demand capacity is higher than 67 %. The Digital bank will continue to load and unload providing continuous capacity across the 33 to 100 % range.

2.5.4 Recommended application settings for modulation on Stream Digital compressors

The Digital modulation recommended cycle time is 20 seconds. For other values, check with your local Emerson Application Engineering representative.

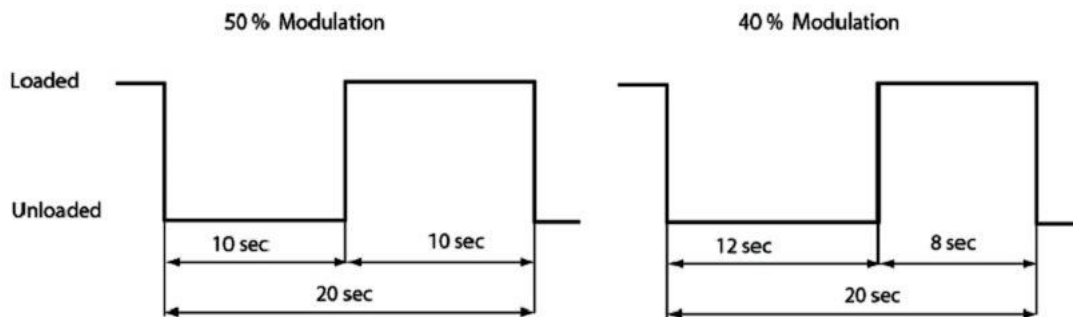


Figure 6: The digital signal from the controller activates the unloading

The load and unload times will give the compressor an operating range during a 20-second cycle. Minimum percent capacity would be 50 % for 4M*D and 33 % or 67 % for 6M*D, depending on compressor configuration. The compressor can also operate at a 100 % load for the full modulation sequence.

2.5.5 Digital solenoid valve / Gaskets

Due to the high life cycle requirements in a hot gas environment, a special valve has been developed. Due to reliability requirements, only Emerson solenoid valves may be used. All compressor warranties are null and void if the Emerson valves are not used. Solenoid coils will be sold separately for all Stream Digital compressors.

The solenoid coil is available for several voltages: 24 V, 120 V and 240 V.

Stream Digital compressors use special head and valve plate gaskets which have modifications to ensure gas flow for proper Digital modulation. Only Emerson gaskets may be used. All compressor warranties are null and void if the Emerson gaskets are not used.

2.5.6 Compressor cooling

Compressor motors must always be cooled, and cylinder head cooling may also be needed at certain operating conditions.

All Stream Digital compressors are suction gas-cooled. With suction gas-cooled compressors, the motor is cooled by refrigerant gas that is led over the motor. An additional fan may be required depending upon the operating conditions – see Copeland brand products Select software at www.climate.emerson.com/en-gb.

2.5.7 Unloaded start

With direct starting the motor of a compressor is switched directly into the mains by means of a switch. The resulting breakaway starting current amounts to multiple times the rated motor current operating maximum, without consideration being given to transient phenomena.

In the case of high-powered motors, the breakaway starting currents become so large that they lead to disruptive voltage dips in the mains. The compressors that are subject to current limitation must therefore by all means be equipped with starting load reduction to guarantee perfect starting even when the voltages amount to less than approximately 85 % of the voltage on the nameplate.

2.5.8 Oil pumps

The oil pumps used for Stream Digital compressors are independent of their rotating direction.

On compressors with Next Generation CoreSense™ (-N) or formerly delivered with CoreSense™ Diagnostics (-D), the oil pump integrates an electronic switch to ensure the oil pressure safety functionality.

Compressors with CoreSense™ Protection (-P) are designed to accommodate fittings for an OPS2 (oil sensor included in the oil pump). A mechanical oil safety device like the Alco Control FD-113ZU can also be used.

2.5.9 Oil pressure

Normal oil pressure is between 1.05 and 4.2 bar higher than crankcase pressure. Net oil pressure can be read by connecting two pressure gauges to the compressor and comparing the readings. One gauge should be connected to the oil pump. The second gauge should be connected to the crankcase (T-fitting instead of plug on the compressor crankcase) or the suction service valve.

During irregular operating conditions, eg, a blockage of the suction filter, the pressure measured at the suction shut-off valve of the compressor may differ widely from that measured at the crankcase. Therefore pressure drops have to be avoided.

2.5.10 Oil circulation

Oil returns with the suction gases through a suction strainer and separates in the motor chamber reaching the crankcase by way of oil return relief valve in the partition between motor housing and crankcase. This relief valve closes on compressor start-up due to the pressure difference arising between motor side and crankcase, thus slowing down pressure decrease in the crankcase over a certain period of time. It reduces the foaming of the oil/refrigerant mixture that would occur if the pressure decreased rapidly. The valve does not reopen until the pressure has been equalized by means of a crankcase ventilating valve. This second valve connects the crankcase and suction side cylinder head. It reduces the pressure difference by means of a very small bore in the plate of the valve so slowly that oil foams less and only limited oil/refrigerant foam is transferred to the oil pump.

Both 4M*D and 6M*D compressors have one crankcase ventilating valve on the left cylinder bank.

2.5.11 Oil level

All compressors are delivered with sufficient oil for normal operation – see **Table 2**. The optimum oil level should be checked by operating the compressor until the system is stable and then comparing the sight glass reading with the appropriate diagram below. The oil level should be min ¼ and max ¾ of the sight glass.

For service compressors when an oil regulator is used the oil level should be min ¼ and max ¾ of the sight glass. The level can also be checked within 10 seconds of compressor shutdown.

For 4M*D and 6M*D compressors a higher oil level may be accepted when an oil regulator is used as the oil separator will reduce excessive oil circulation.

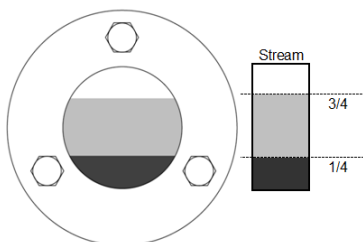


Figure 7: Sight glass reading on 4M*D and 6M*D compressors

2.5.12 Multiple-compressor applications

To ensure smooth and continuous modulation, ie, for optimum suction pressure control, the selection of the Stream Digital and Stream fixed-capacity compressors should be made according to the following rule:

- $F1 < D$
- $F2 < D+F1$
- $F3 < D+F1+F2$
-
- $FN < D+F1+F2+....FN-1$

Where **D** = Capacity of the Stream Digital compressor and **F1 --- FN** = Capacity of the Stream compressors.

The Stream Digital compressor selected should have the smallest capacity to cover all the gaps between steps to ensure the most efficient system control.

For example, a 4M*D has a continuous capacity from 50 to 100 %. Therefore, when a 4M*D Stream Digital compressor is selected, the associated fixed-capacity compressor should have 50 to 100 % of the full load of the Digital compressor.

NOTE: For best results in multiple-compressor applications, the Stream Digital compressor must be the lead compressor: it must be the first compressor "On" and the last compressor "Off" in the system.

3 Installation



WARNING

High pressure! Injury to skin and eyes possible! Be careful when opening connections on a pressurized item.

3.1 Compressor handling

3.1.1 Delivery

Please check whether the delivery is correct and complete. Any deficiency should be reported immediately in writing.

Standard delivery:

- Suction and discharge shut-off valves
- Oil charge, oil sight glass
- Mounting kit
- Digital solenoid valve (factory-mounted)
- Next Generation CoreSense™, CoreSense™ Diagnostics or CoreSense™ Protection module
- Holding charge up to 2.5 bar(g) (dry air)

3.1.2 Transport and storage



WARNING

Risk of collapse! Personal injuries! Move compressors only with appropriate mechanical or handling equipment according to weight. Keep in the upright position. Respect stacking loads according to **Figure 8**. Check the tilting stability and if needed take action to ensure the stability of the stacked loads. Keep the packaging dry at all times.



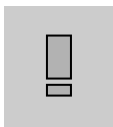
Respect the maximum number of identical packages which may be stacked on one another, where "n" is the limiting number:

- **Transport: n = 1**
- **Storage: n = 1**

Figure 8: Maximum stacking loads for transport and storage

NOTE: The compressor is pre-charged with dry air to avoid any moisture contamination.

3.1.3 Positioning and securing



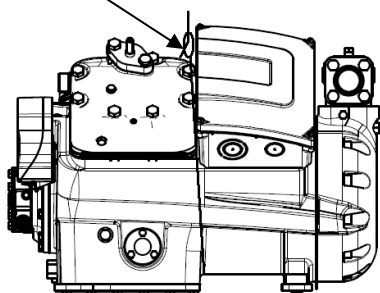
IMPORTANT

Handling damage! Compressor malfunction! Only use the lifting eyes whenever the compressor requires positioning. Using discharge or suction connections for lifting may cause damage or leaks.

If possible, the compressor should be kept horizontal during handling.

For safety reasons two lifting eyes should be fitted before moving a compressor (½" - 13 UNC). Otherwise refer to drawings on **Figure 9** to see how to apply other lifting methods.

4M*D: max. 220 kg



6M*D: max. 260 kg

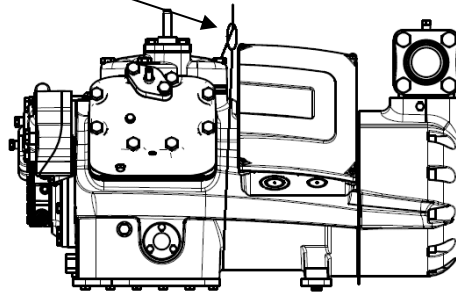


Figure 9

In order to avoid refrigerant leaks or other damage the compressors should not be lifted by the service valves or other accessories.

3.1.4 Installation location

Ensure the compressors are installed on a solid level base.

3.1.5 Mounting parts

To minimize vibration and start/stop impulses flexible mounting should be used. For this purpose, one set of spring mounting parts for each of the Stream models is delivered with each 4M*D and 6M*D compressor.

Due to differences in weight (cylinder / motor side), different springs have to be used on both sides. Springs have different colours for easier identification: violet on motor side and orange on cylinder side.

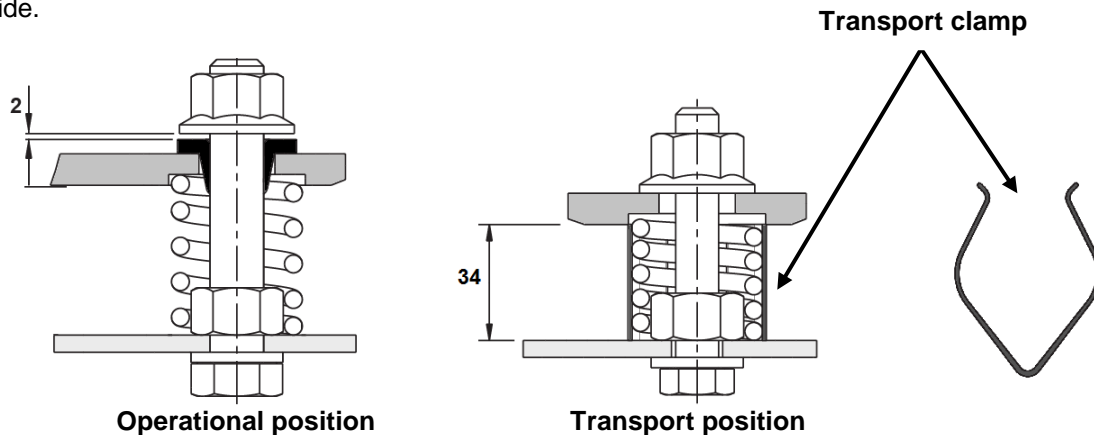


Figure 10: Position of vibration dampers during transport and operation

When Stream Digital compressors are mounted in racks rubber mounting parts should be used.

A compressor may be rigidly mounted, ie, without springs. In this case more shock and vibration loading will be transmitted to the frame.

Unevenness in the mounting surface will have to be compensated by the rack and/or the compressor bottom plate/feet. Excessive unevenness can result in too high mechanical stress to the system and could damage the compressor or rack. Therefore, the flatness of the mounting location is essential. In addition, both vibration/shock and mechanical stress to compressor can be avoided by using rubber mounting parts.

If the installation requires a very high level of vibration absorption, additional vibration absorbers – available on the market – can be fitted between the rails and the foundation.

3.2 Pressure safety controls

3.2.1 High-pressure control

A high-pressure control with a maximum cut-out setting of 28.8 bar(g) is required.

The high-pressure cut-out should have a manual reset feature for the highest level of system protection.

3.2.2 Low-pressure control

The normal minimum cut-out setting is 0.1 bar(g) for R404A.

The low-pressure cut-out should have a manual reset feature for the highest level of system protection.

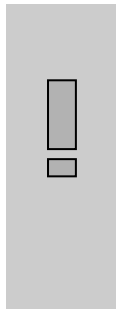
3.2.3 Maximum allowable pressures

The maximum allowable pressures according to EN 12693 shown on the compressor nameplate are obligatory and must not be exceeded.

- High-pressure side (HP): 28.0 bar (g) (up to S/N 14K46143M)
32.5 bar (g) (from S/N 14K46144M onwards)
- Low-pressure side (LP): 22.5 bar

NOTE: The compressor operating range may be restricted for various reasons. Check the application range limitations in Copeland brand products Select software at www.climate.emerson.com/en-gb.

3.3 Brazing procedure



IMPORTANT

Blockage! Compressor breakdown! Maintain a flow of oxygen-free nitrogen through the system at very low pressure during brazing. Nitrogen displaces the air and prevents the formation of copper oxides in the system. If allowed to form, the copper oxide material can later be swept through the system and block screens such as those protecting capillary tubes, thermal expansion valves, and accumulator oil return holes.

Contamination or moisture! Bearing failure! Do not remove the plugs until the compressor is set into the unit. This minimises any entry of contaminants and moisture.

Refer to **Figure 11** and procedure below for the brazing of the suction and discharge lines:

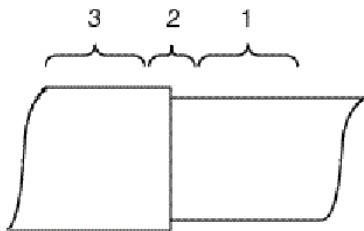


Figure 11: Suction tube brazing areas

- The copper-coated steel tubes on Stream Digital compressors can be brazed in approximately the same manner as any copper tube.
- Recommended brazing material: any silfos material is recommended, preferably with a minimum of 5 % silver. However, 0 % silver is acceptable.
- Be sure tube fitting inner diameter and tube outer diameter are clean prior to assembly.
- Using a double-tipped torch, apply heat in area 1.
- As the tube approaches brazing temperature, move the torch flame to area 2.

- Heat area 2 until braze temperature is attained, moving the torch up and down and rotating around the tube as necessary to heat the tube evenly. Add braze material to the joint while moving the torch around the joint to flow braze material around the circumference.
- After the braze material flows around the joint, move the torch to heat area 3. This will draw the braze material down into the joint. The time spent heating area 3 should be minimal.
- As with any brazed joint, overheating may be detrimental to the final result.

To disconnect:

- Heat joint areas 2 and 3 slowly and uniformly until the braze material softens and the tube can be pulled out of the fitting.

To reconnect:

- Recommended brazing materials: Silfos with minimum 5 % silver or silver braze used on other compressors.

3.4 Screens



CAUTION

Screen blocking! Compressor breakdown! Use screens with at least 0.6 mm openings.

The use of screens finer than 30 x 30 meshes (0.6 mm openings) anywhere in the system should be avoided with these compressors. Field experience has shown that finer mesh screens used to protect thermal expansion valves, capillary tubes or accumulators can become temporarily or permanently plugged with normal system debris and block the flow of either oil or refrigerant to the compressor. Such blockage can result in compressor failure.

4 Electrical connection

4.1 General recommendations

The compressor terminal box has a wiring diagram on the inside of its cover. Before connecting the compressor, ensure that the supply voltage, the phases and the frequency match the nameplate data.

The knockouts have to be removed before the electrical glands can be installed. First make sure that the terminal box is closed with the terminal box cover. We recommend to use a subland twist driller to avoid any damage to the box while removing the knockouts.

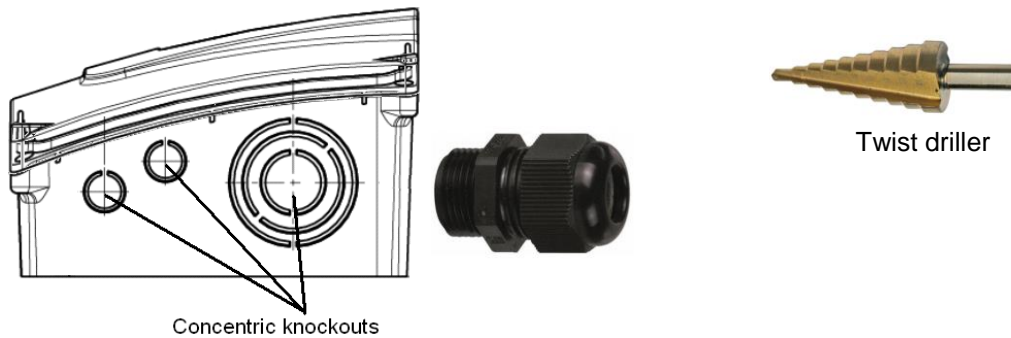


Figure 12

4.2 Electrical installation

All compressors can be started Direct-On-Line.

The position of the bridges required for Direct-On-Line start (depending on the type of motor and/or mains voltage) is shown in paragraph 4.2.3 "Terminal box isolators and jumper position".

4.2.1 Part-winding motors (YY/Y) – Code A

A part-winding motor contains two separate windings ($2/3 + 1/3$) which are internally connected in star and operated in parallel. You cannot change the voltage by changing the electrical connections as this motor is only suitable for one voltage.

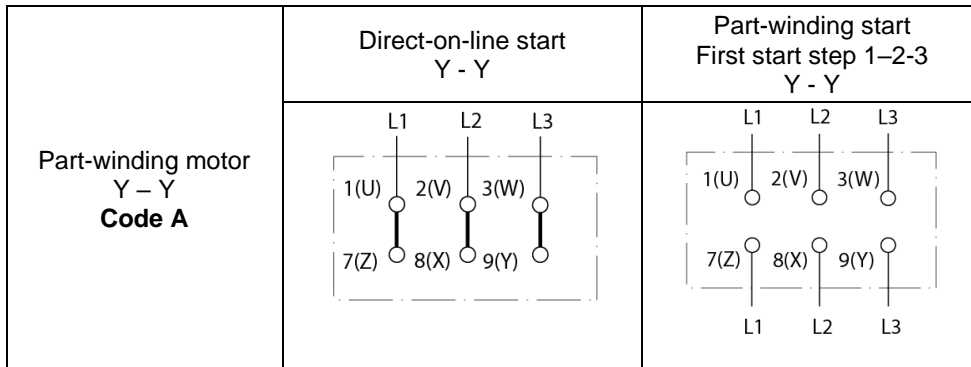
The first part-winding, ie, the $2/3$ winding on terminals 1-2-3, can be used for part-winding start (remove the bridges!). After a time delay of 1 ± 0.1 seconds the second part-winding, ie, the $1/3$ winding on terminals 7-8-9, must be brought on line.

4.2.2 Star / Delta motors (Y/ Δ) – Code E

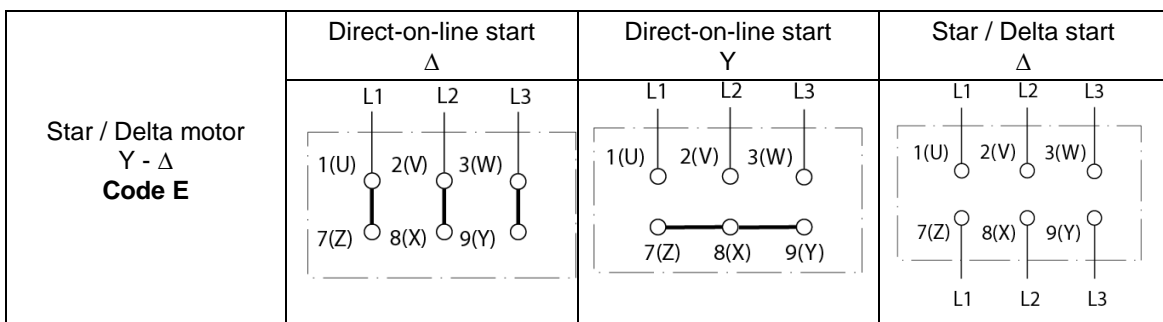
This motor is interchangeable for star (Y) or delta (Δ) operation by means of bridges. It is suitable for two voltages, eg, 230 V in delta, 400 V in star connection. If the supply voltage and the nominal voltage of the motor in Δ -connection are identical, the star connection motor can also be used for starting (remove the bridges!).

4.2.3 Terminal box isolators and jumper position

Part-winding motors can be connected direct-on-line or part-winding start.



Star / Delta motors can be connected direct-on-line or Star / Delta start.



4.3 Wiring diagrams

4.3.1 Compressors with Next Generation CoreSense module

4.3.1.1 Basic protection

The Next Generation CoreSense module version is originally delivered with the basic modules pre-connected.

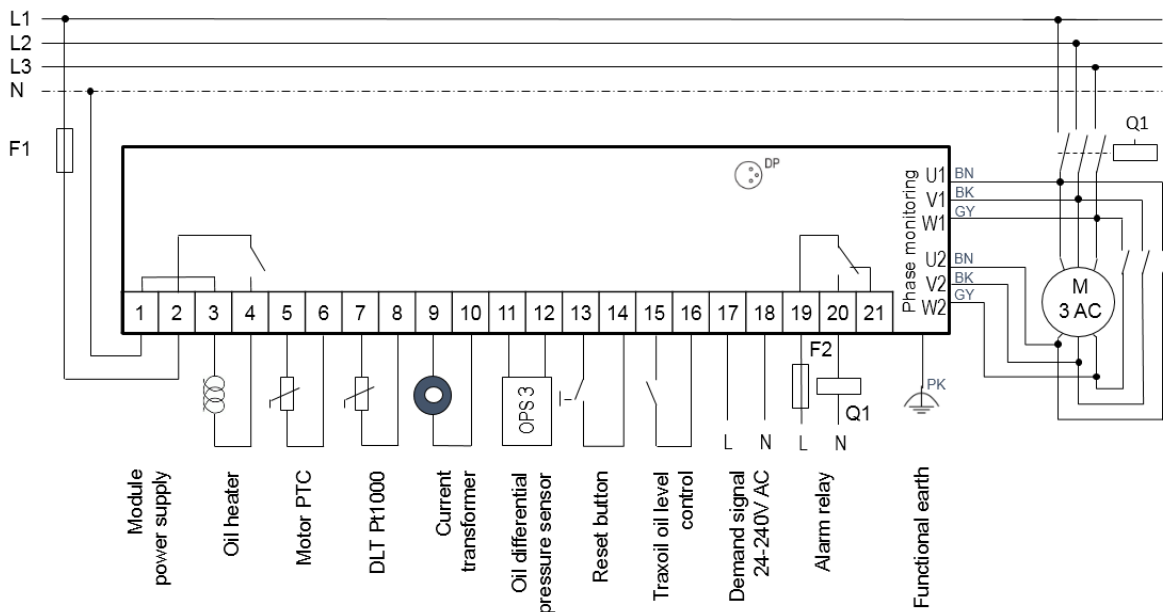


Figure 13: Basic module connections

4.3.1.2 Wiring diagram for part-winding motors (AW...)

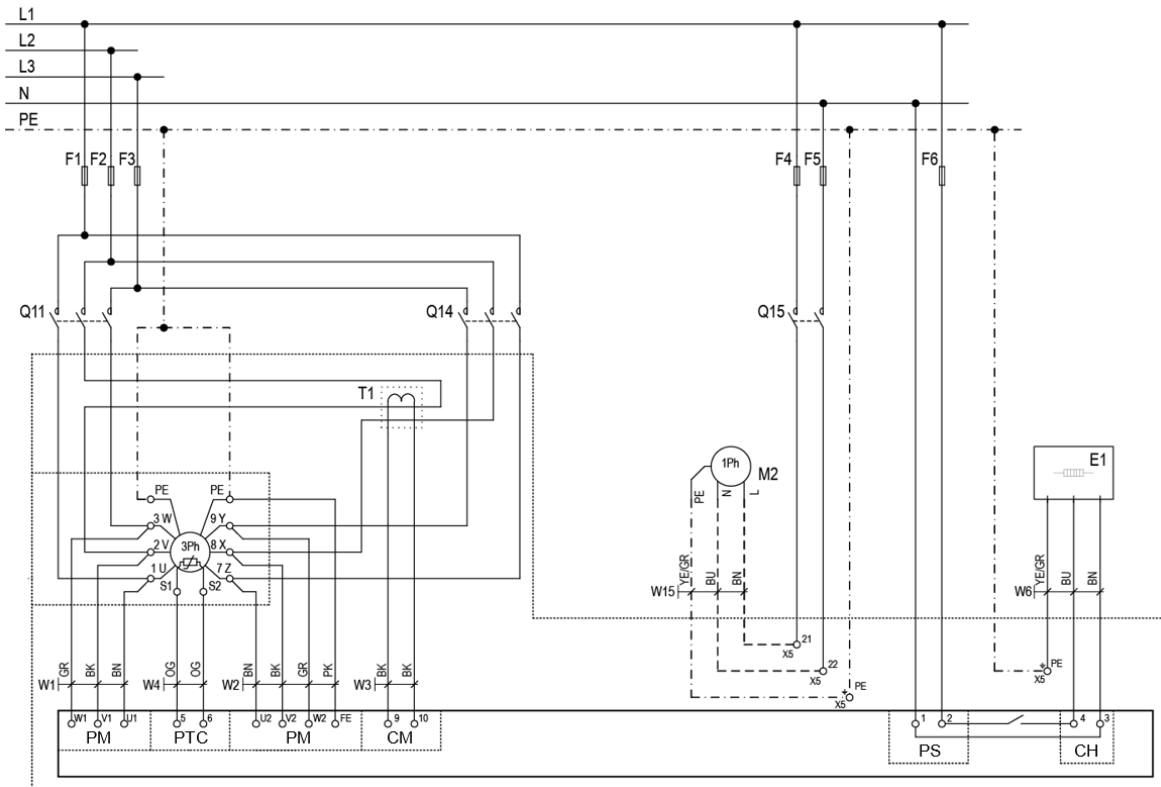


Figure 14: Wiring diagram – Part-winding motors (AW...)

4.3.1.3 Wiring diagram for Star / Delta motors (EW...)

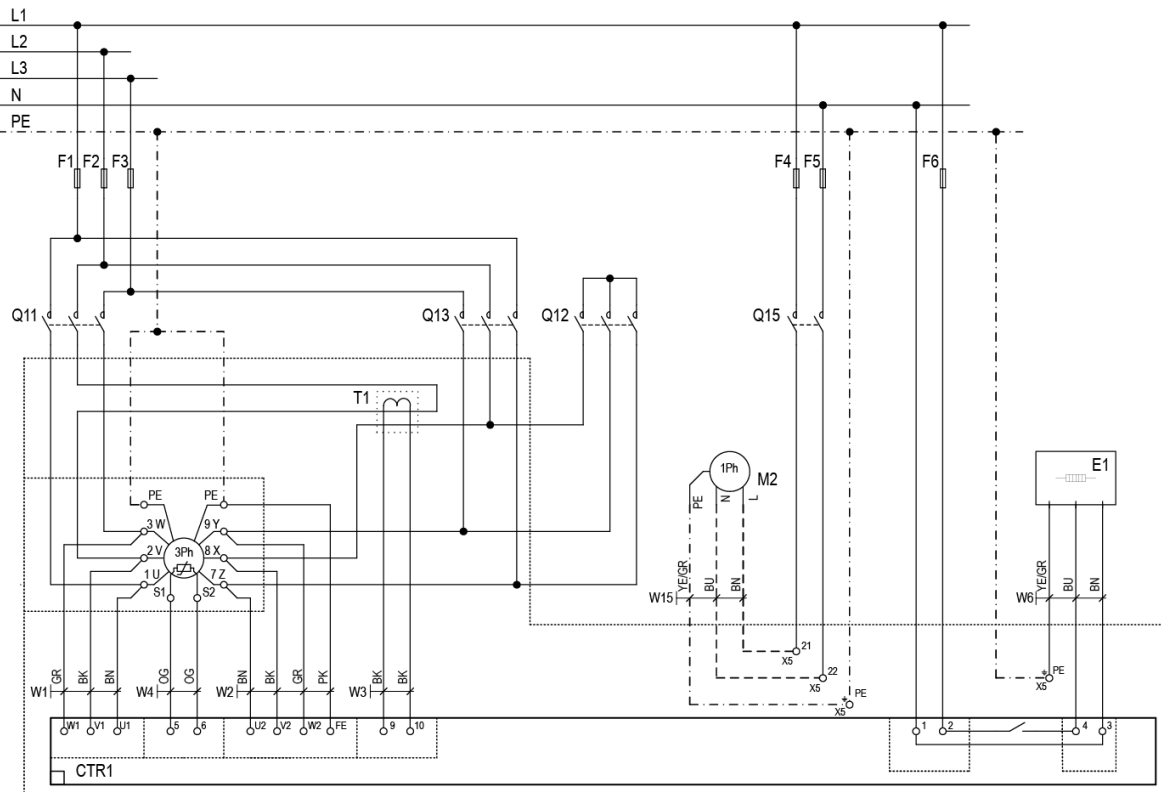
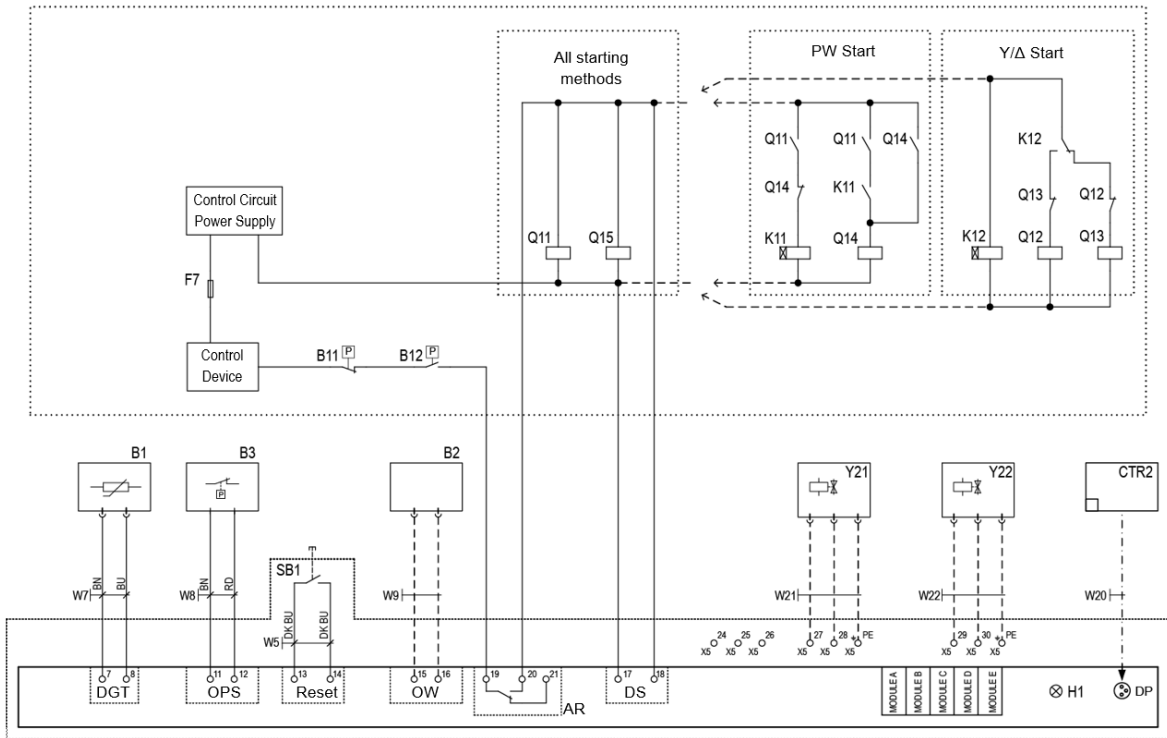


Figure 15: Wiring diagram – Star / Delta motors (EW...)

4.3.1.4 Wiring diagram (2nd part) for part-winding and Star / Delta motors (AW... and EW...)



Legend

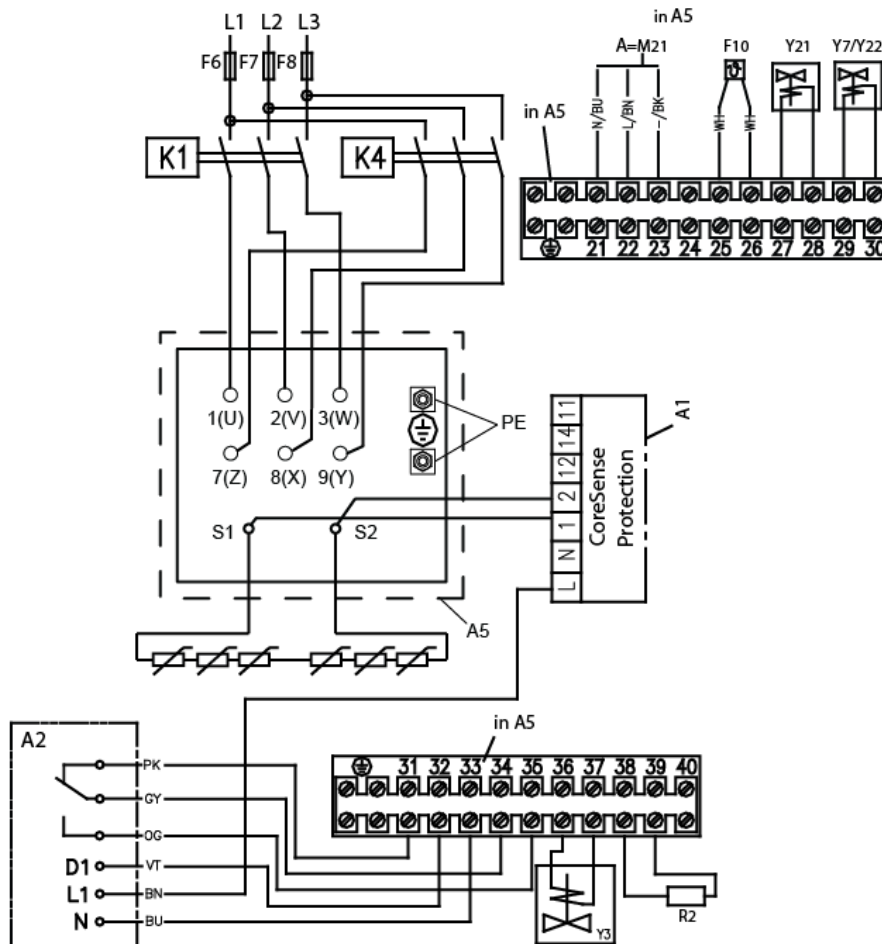
B1 Discharge gas sensor	K11 Time relay for part-winding (if used)
B2 Oil level watch (Traxoil)	M2 Fan motor
B3 Oil differential pressure switch (OPS)	Q11..... Compressor contactor
B11 High-pressure switch	Q12..... Compressor contactor Y (if Y/Δ start)
B12 Low-pressure switch	Q13..... Compressor contactor Δ (if Y/Δ start)
CTR2 .. DP gateway	Q14..... Compressor contactor 2 nd part-winding (if used)
E1 Heater	Q15..... Fan contactor
F1, F2, F3 Compressor fuses	Y21 Solenoid valve capacity control 1
F4, F5 . Fan fuses	Y22 Solenoid valve capacity control 2
F6 CoreSense and heater fuse	T1 Current sensor
F7 Control circuit fuse	
H1 Diagnosis LED	
AR..... Alarm relay	OPS.... Oil differential pressure protection
CH Control oil heater	OW Digital oil level watch
CM Current monitoring	PM Phase monitoring
DGT Discharge gas temperature monitoring	PS..... Power supply
DS..... Demand signal	PTC Motor thermic protection
	SB1..... Reset button

Figure 16: Wiring diagram – Part-winding and Star / Delta motors (AW... and EW...)

4.3.2 Compressors with CoreSense Protection module

4.3.2.1 Wiring diagram for part-winding motors (AW...)

Part-winding motors can be connected direct-on-line or part-winding start.

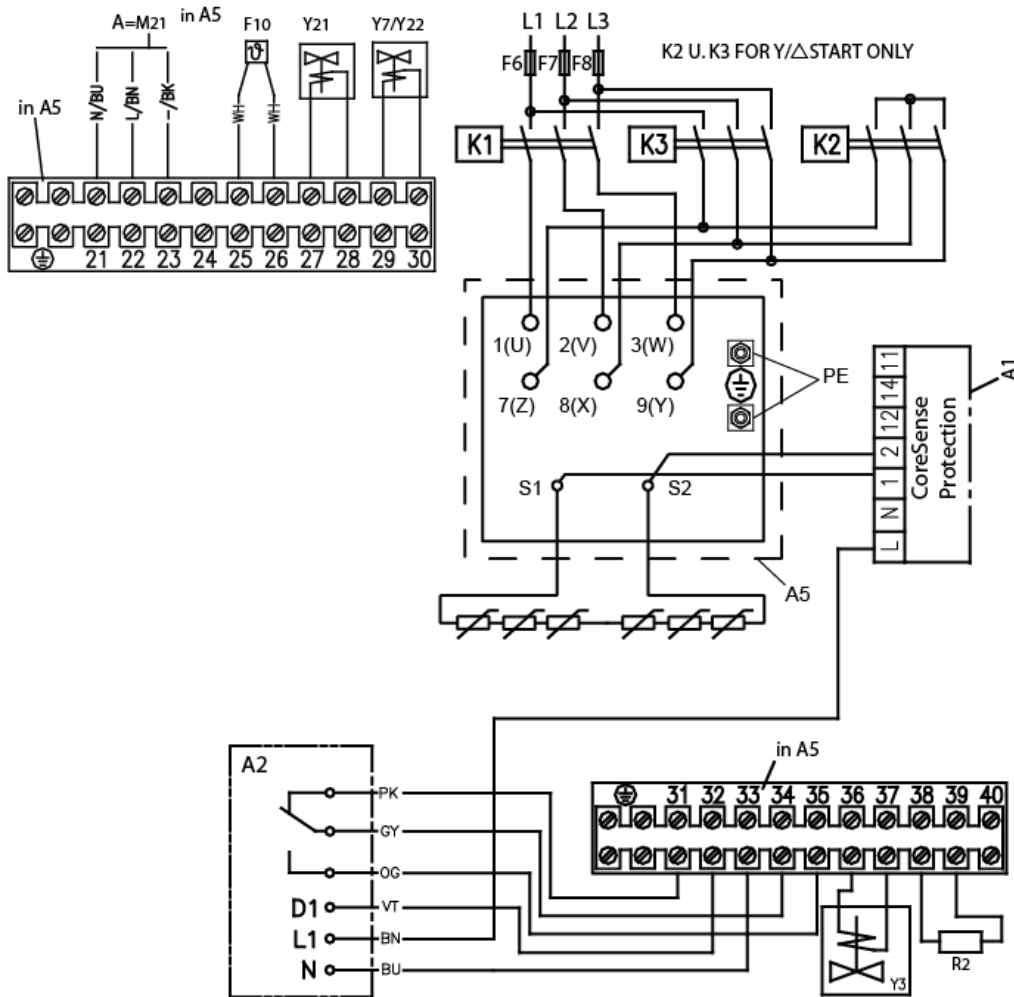


Legend

- | | |
|---|---|
| A1 CoreSense Protection module | K1 Contactor M1 |
| A2 OPS2 Oil pressure switch | K4 Contactor M1 for second part-winding |
| A5 Compressor terminal box | M21 Fan motor / condenser |
| F6 Fuse for control circuit | R2 Crankcase heater |
| F7 Fuse for control circuit | Y21 Solenoid valve capacity control 1 |
| F8 Fuse for control circuit | Y22 Solenoid valve capacity control 2 |
| F10 Thermal protection switch M21 | Y3 Solenoid valve unloaded start |

Figure 17: Wiring diagram – Part-winding motors (AW...)

4.3.2.2 Wiring diagram for Star / Delta motors (EW...)



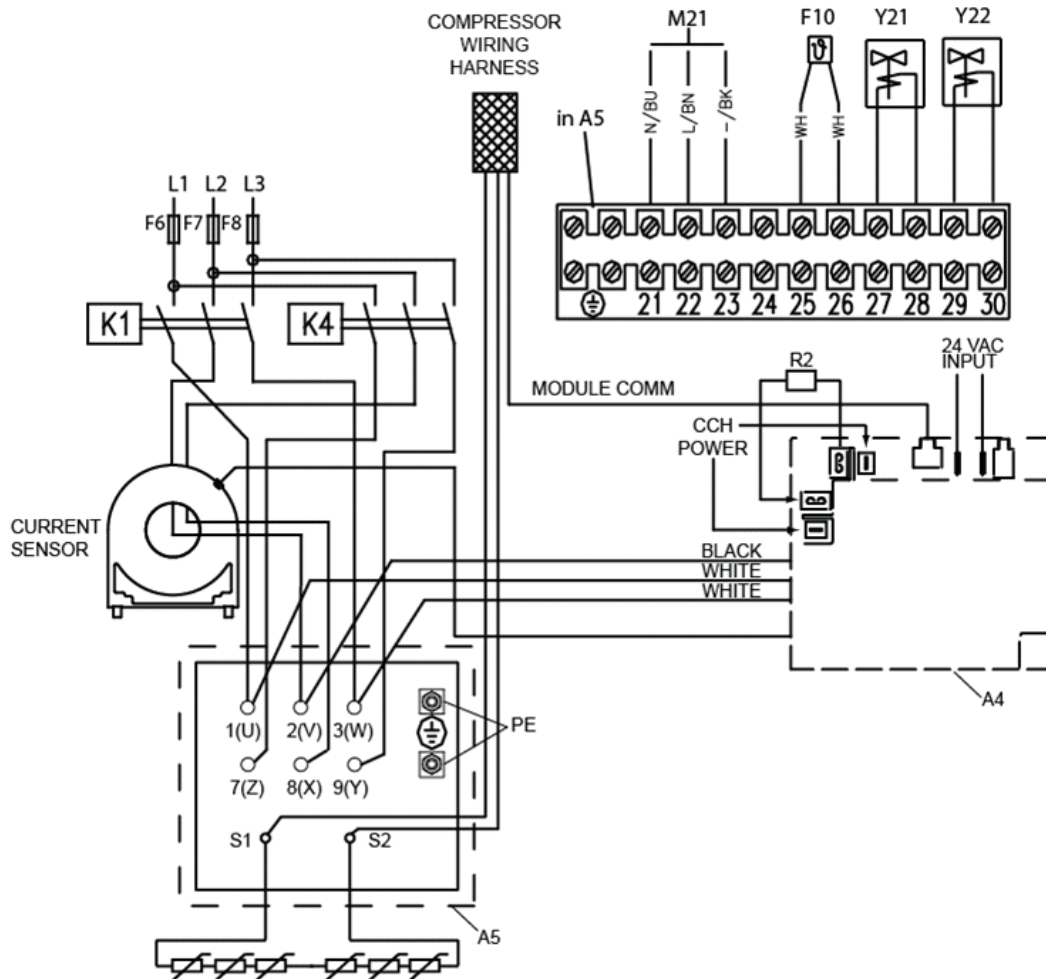
Legend

- | | |
|---|--|
| A1 CoreSense Protection module | K1 Contactor M1 |
| A2 OPS2 Oil pressure switch | K2 Contactor M1 Y-connection |
| A5 Compressor terminal box | K3 Contactor M1 Δ-connection |
| F6 Fuse for control circuit | M21 Fan motor / condenser |
| F7 Fuse for control circuit | R2 Crankcase heater |
| F8 Fuse for control circuit | Y21/22. Solenoid valve capacity controls |
| F10 Thermal protection switch M21 | Y3 Solenoid valve unloaded start |

Figure 18: Wiring diagram – Star / Delta motors (EW...)

4.3.3 Compressors with CoreSense Diagnostics module

4.3.3.1 Wiring diagram for part-winding motors (AW...)



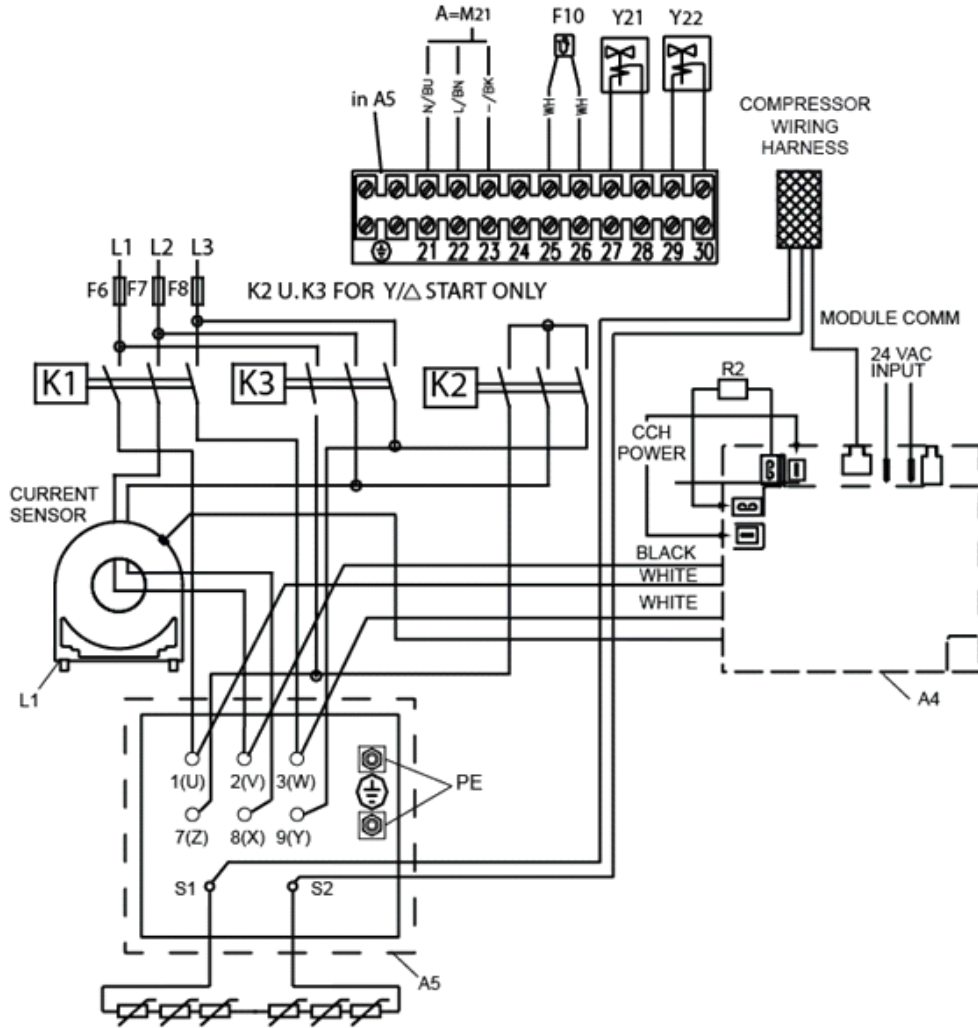
Legend

A4	Sensor module	K1	Contactors M1
A5	Compressor terminal box	K4	Contactors M1 for second part-winding
CCH....	Crankcase heater	M21	Fan motor / condenser
F6	Fuse for control circuit	R2	Crankcase heater
F7	Fuse for control circuit	Y21	Solenoid valve capacity control 1
F8	Fuse for control circuit	Y22	Solenoid valve capacity control 2
F10	Thermal protection switch		

Figure 19: Wiring diagram – Part-winding motors (AW...)

NOTE: The sensor module inside the terminal box requires a separate 24 VAC power supply.

4.3.3.2 Wiring diagram for Star / Delta motors (EW...)



Legend

A4	Sensor module	K1	Contacteur M1
A5	Compressor terminal box	K2	Contacteur M1 Y-connection
CCH	Crankcase heater	K3	Contacteur M1 Δ-connection
F6	Fuse for control circuit	M21	Fan motor / condenser
F7	Fuse for control circuit	R2	Crankcase heater
F8	Fuse for control circuit	Y21	Solenoid valve capacity control 1
F10	Thermal protection switch	Y22	Solenoid valve capacity control 2

Figure 20: Wiring diagram – Star / Delta motors (EW...)

NOTE: The sensor module inside the terminal box requires a separate 24 VAC power supply.

4.4 Protection devices

Independently from the internal motor protection, fuses must be installed before the compressor. The selection of fuses has to be made according to VDE 0635, DIN 57635, IEC 269-1 or EN 60-269-1.

4.5 Next Generation CoreSense™

Next Generation CoreSense™ (or Next Gen CoreSense) is standard in all 4M*D and 6M*D Stream Digital semi-hermetic compressors. With active protection, advanced algorithms and features like fault history and LED indicators, Next Gen CoreSense enables technicians to diagnose the past and recent state of the system, allowing for quicker, more accurate diagnostics and less downtime.

The Next Gen CoreSense module has a compact design with a base board and optional plug-in modules with advanced functionalities. The base board with current, discharge temperature and oil sensor, provides advanced diagnostics and protection against faults such as high discharge temperature, locked rotor, single/missing phase, voltage imbalance, low voltage etc... An external overload protection is not necessary. The module is capable of communication via Modbus and Bluetooth (optional) protocol.



Figure 21: Next Gen CoreSense module



Figure 22: Next Gen CoreSense inside the terminal box

4.5.1 Next Gen CoreSense specifications

The Next Gen CoreSense module is located and prewired in the terminal box. All required parameters are flashed during the production of the compressor.

The power supply for the control module can be 115 VAC or 230 VAC.

Operating ambient temperature	-30 °C to 70 °C
Storage temperature	-30 °C to 80 °C
Voltage requirements	115-230 VAC - 50/60Hz
Protection class	IP00

Table 3: Next Gen CoreSense specifications

4.5.2 Next Gen CoreSense features

Next Gen CoreSense is a modular system. This modular design gives the customers the flexibility to choose individual protection and/or control levels. It is possible to extend the compressor protection from just basic functions to a high tier protection to enlarge the lifetime of the compressor.



Figure 23: Inside view of the Next Gen CoreSense module, with the modular boards

Basic features	
Motor overheat protection	High discharge temperature protection
Insufficient oil pressure protection	Oil level protection (in combination with Emerson TraxOil)
Current protection	Phase failure protection
Voltage imbalance protection	Undervoltage and overvoltage protection
Power consumption measurement	Part-winding protection
Crankcase heater control	Welded contactor protection
Switching frequency overstepping protection	Connection with computer, Android or iOS device
LEDs on the terminal box cover	Reset button for manual reset

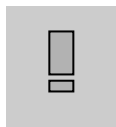
Table 4: List of basic features

NOTE: More information on Next Gen CoreSense and available functions and protections can be found in the following Technical Information:

- D7.8.13 "Next Generation CoreSense™ for Copeland™ Stream Compressors"
- D7.8.15 "Next Generation CoreSense™ for Copeland™ Stream Compressors – Quick Installation Guide"
- D7.8.16 "Next Generation CoreSense™ for Copeland™ Stream Compressors –Guide for the Replacement of CoreSense™ Diagnostics"

4.6 CoreSense™ Protection

4.6.1 Motor protection



IMPORTANT

Different sources for power supply and contact 11-14! Module malfunction! Use the same potential for the power supply (L) and the switch contact of the control loop (11-14).

Stream compressors with "-P" at the end of the description are equipped with a CoreSense Protection device. The temperature-dependent resistance of the thermistor (also known as PTC-resistance) is used to sense the winding temperature. Two chains of three thermistors each connected in series are embedded in the motor windings in such a manner that the temperature of the thermistors can follow with little inertia.

The CoreSense Protection module switches a control relay depending on the thermistor resistance. It is installed in the terminal box to which the thermistors are connected.

Caution: The maximum test voltage for thermistors is 3 V.

The total resistance of the thermistor chains on a cold compressor should be $\leq 1800\Omega$.

Protection class of the module: IP20.

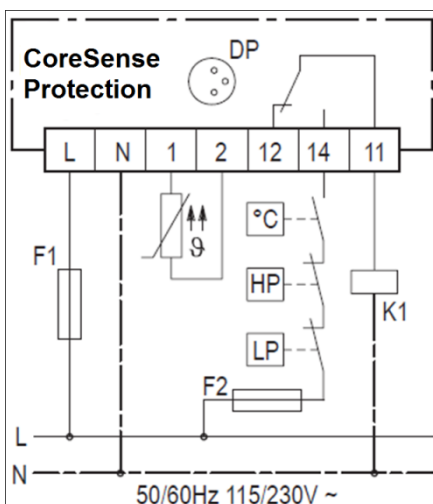


Figure 24: Control circuit wiring diagram

4.6.2 Oil pressure control

The oil pressure switch breaks the control circuit when the pressure difference between the oil pump outlet and the crankcase is too low. The switch must be properly adjusted and tamper-proof. If the oil differential pressure drops below the minimum acceptable value the compressor will be stopped after a 120-second delay. After having solved the problem the control has to be reset manually.

NOTE: Proper oil pressure safety control with an approved switch is a condition of warranty!

The following oil pressure switches can be delivered as accessories:

- Electronic oil pressure switch OPS2
- Mechanical oil pressure switch Alco FD-113ZU

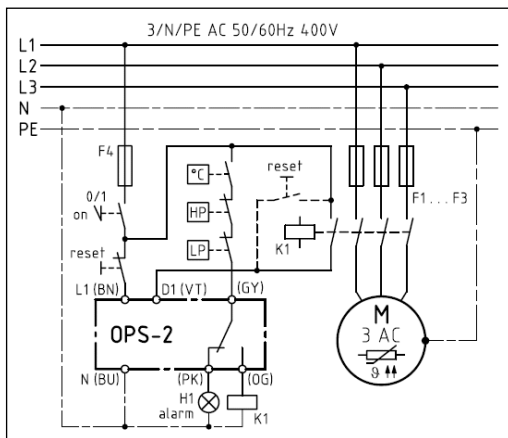
4.6.2.1 Electronic oil pressure switch – OPS2

The specifications for the OPS2 oil pressure switch are as follows:

- Differential pressure: 0.95 ± 0.15 bar
- Time delay: 120 ± 15 sec

Where there is a 5-wire cable connection between the electrical control panel and the compressor terminal box to the OPS module, the same wires can be applied to the OPS2 which will give the functions of an OPS1 module.

To obtain use of all of the features of the OPS2 a 7-wire cable between the electrical control cabinet and the compressor terminal box should be used. Wiring diagrams for OPS2 are shown in Technical Information D7.8.3 "DWM Copeland™ Semi-hermetic Compressor Oil Pressure Differential Switch OPS2" available at www.climate.emerson.com/en-gb. The wiring diagram in **Figure 25** below relates to an option using a 7-wire cable.



Wiring:

Brown (BN) = Power supply input

Violet (VIO) = Running signal from the compressor

Grey (GR) = Input changeover contact from the daisy chain

Orange (OG) = Output changeover contact linked to the compressor contactor

Pink (PK) = Output changeover contact linked to the alarm

Blue (BU) = Power supply output

Figure 25

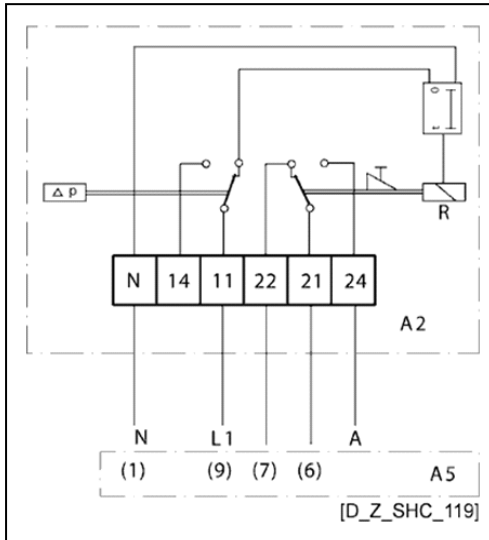
NOTE: Where a 5- or 7-wire cable is stated a 4- or 6-wire cable is required. In some countries only a 5- or 7-wire cable is available. See more information about OPS2 in Technical Information D7.8.3 "DWM Copeland™ Semi-hermetic Compressor Oil Pressure Differential Switch OPS2".

4.6.2.2 Mechanical oil pressure switch – Alco FD-113ZU (A22 - 057)

The specifications for electro-mechanical oil pressure switches are as follows:

- Cut-out pressure: 0.63 ± 0.14 bar
- Cut-in pressure: 0.9 ± 0.1 bar
- Time delay: 120 ± 15 sec

The Alco FD-113ZU mechanical oil pressure switch operates with the above setpoints.



Legend:

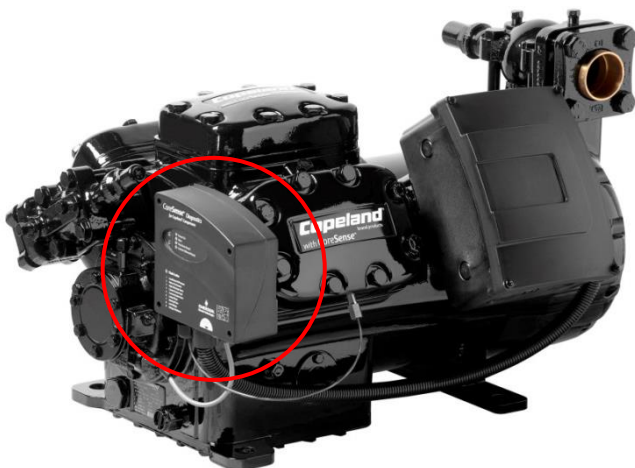
- 11 Voltage connection
- 21 Control voltage connection
- 22 Control circuit
- 24 Alarm connection
- A2 Oil pressure switch
- A5 Compressor terminal box
- R Relay
- N Neutral connection
- t Time delay

Figure 26

Protection class: IP30.

4.7 CoreSense™ Diagnostics (until December 2019 included)

CoreSense™ Diagnostics was mounted on 4M*D and 6M*D Stream Digital compressors up to December 2019 included. CoreSense Diagnostics combines oil and motor protection in one module, replacing OPS1/2 and the electronic module INT69TM. In addition, it provides advanced protection against faults such as high discharge temperature, locked rotor, single/missing phase, voltage imbalance and low voltage protection. The module is capable of communication via Modbus protocol. An external overload protection is not necessary.



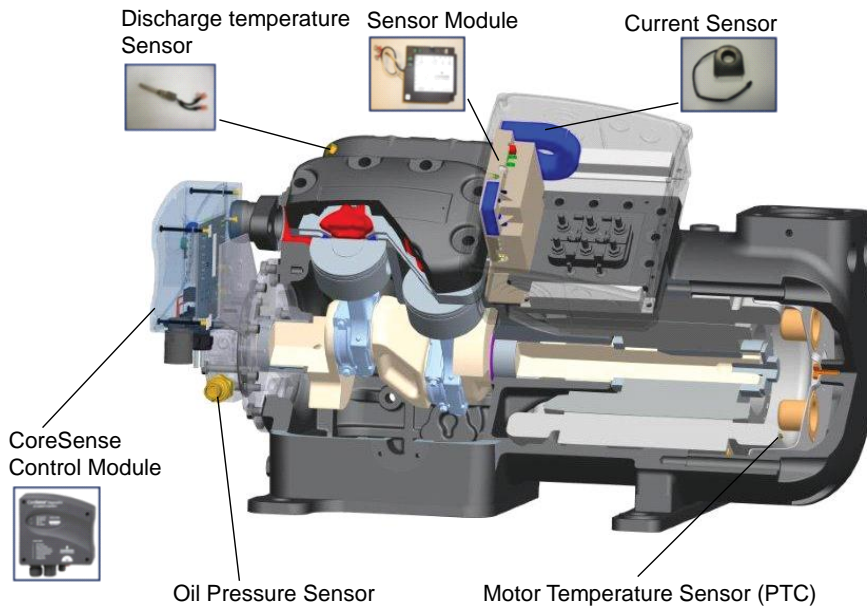


Figure 27: CoreSense Diagnostics module

For the electrical connection of the CoreSense Diagnostics module, refer to the wiring diagram in Figure 28 below:

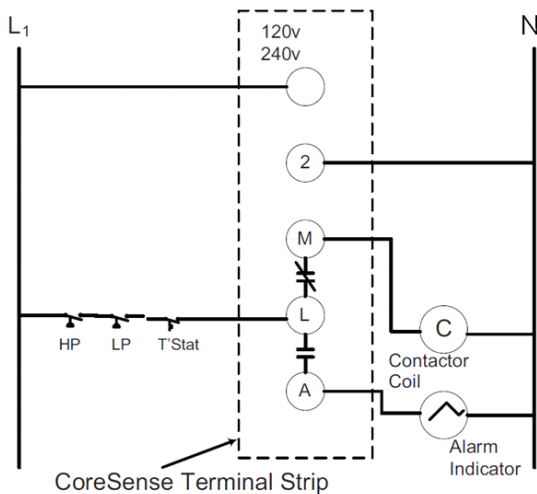
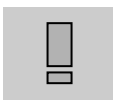


Figure 28: CoreSense module wiring diagram

NOTE: For more information please refer to Technical Information D7.8.4 "CoreSense™ Diagnostics for Stream Refrigeration Compressors".

4.8 Crankcase heaters



IMPORTANT

Oil dilution! Bearing malfunction! Turn the crankcase heater on 12 hours before starting the compressor.

A crankcase heater is used to prevent refrigerant from migrating into the shell during standstill periods. Heaters for 4M*D and 6M*D compressors are screwed into a sleeve – see Figure 29.

The crankcase heater is available in 120 V, 230 V and 480 V.

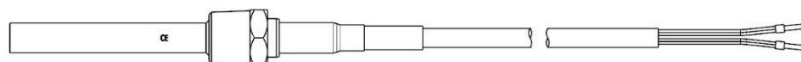


Figure 29: 100-Watt crankcase heater element

The operation of 115 V and 230 V crankcase heaters can be controlled by the Next Generation CoreSense module; this is not possible with 480 V heaters.

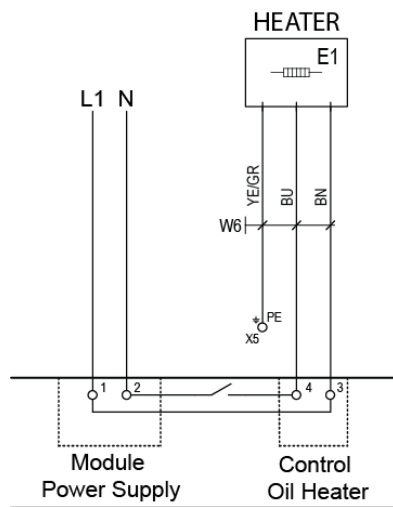


Figure 30: Heater connection diagram

5 Start-up & operation



WARNING

Diesel effect! Compressor destruction! The mixture of air and oil at high temperature can lead to an explosion. Avoid operating with air.

5.1 Leak test

The suction shut-off valve and discharge shut-off valve on the compressor must remain closed during pressure testing to prevent air and moisture from entering the compressor. The test pressure (dried nitrogen) must not exceed 20.5 bar provided no other system component's pressure is lower. In this case the lower pressure is the test pressure.

5.2 System evacuation

Before commissioning, remove the holding charge then evacuate with a vacuum pump. Proper evacuation reduces residual moisture to 50 ppm. The installation of adequately sized access valves at the furthest point from the compressor in the suction and liquid lines is advisable. To achieve undisturbed operation the compressor valves are closed and the system is evacuated down to 0.3 mbar / 0.225 Torr. Pressure must be measured using a vacuum pressure (Torr) gauge on the access valves and not on the vacuum pump; this serves to avoid incorrect measurements resulting from the pressure gradient along the connecting lines to the pump. Then the compressor must be evacuated.

Due to the factory holding charge of dry air the compressor is under pressure (about 1 to 2.5 bar), this is to indicate that the compressor does not leak.

When removing plugs from the compressor in order to connect a pressure gauge or to fill in oil, the plug may pop out under pressure and oil can spurt out.

5.3 Preliminary checks – Pre-starting

Discuss details of the installation with the installer. If possible, obtain drawings, wiring diagrams, etc. It is ideal to use a check-list but always check the following:

- visual check of the electrics, wiring, fuses etc.
- visual check of the plant for leaks, loose fittings such as TXV bulbs etc.
- compressor oil level
- calibration of HP & LP switches and any pressure actuated valves
- check setting and operation of all safety features and protection devices
- all valves in the correct running position
- pressure and compound gauges fitted
- correctly charged with refrigerant
- compressor electrical isolator location & position

5.4 Charging procedure



CAUTION

Low suction pressure operation! Compressor Damage! Do not operate with a restricted suction. Do not operate with the low-pressure cut-out bridged.

The system should be liquid-charged through the liquid-receiver shut-off valve or through a valve in the liquid line. The use of a filter drier in the charging line is highly recommended. The majority of the charge should be placed in the high side of the system to prevent bearing washout during first-time start.

5.5 Initial start-up



CAUTION

Oil dilution! Bearing malfunction! It is important to ensure that new compressors are not subjected to liquid abuse. Turn the crankcase heater on 12 hours before starting the compressor.



CAUTION

High discharge pressure operation! Compressor damage! Do not use the compressor to test opening set point of high-pressure cut-out.

The compressor must be equipped according to our technical documentation considering the application intended. Make sure this requirement is met before start-up.

For brazing connections where dissimilar or ferric metals are joined a silver alloy rod with a minimum content of 30 % silver shall be used being either flux-coated or with a separate flux.

Bolt torque settings are listed in **Appendix 2**.

With the exception of rubber-coated metallic gaskets (Wolverine), all gaskets and O-rings should be oiled before fitting.

NOTE: A compressor should never be operated outside its approved application range! Check the corresponding data sheet. To avoid motor damage, NEVER start the compressor or carry out high-potential testing when the compressor is under vacuum.

5.6 Minimum run time

Emerson recommends a maximum of 10 starts per hour. The most critical consideration is the minimum run time required to return oil to the compressor after start-up.

5.7 Pump-down

In systems that require a compressor pump-down, special attention should be paid to the control logic for the Digital unloader coil. Inherent to the Digital control, the compressor will effectively ramp down and track the suction pressure by loading and unloading to decreasing modulation rates. In order to avoid an extended compressor pump-down cycle, the Digital solenoid should be wired/controlled in such a manner that when a pump-down cycle is initiated the coil is de-energized. This will force the compressor to run fully loaded (100 % capacity).

6 Maintenance & repair

6.1 Provisions of legislation & leak check requirements

According to EN 378-4, systems with a refrigerant charge above 3 kg shall be subject to tightness inspection at least on an annual basis. The owner/operator shall keep an updated logbook of the refrigerant system containing all details with regard to maintenance and repair works (quantities and type of refrigerant changed or transferred, system components changes and replacements etc.). The EN 378 legislation covers HFO's as well as natural refrigerants.

The F-gas Regulation (EU) No 517/2014 applies to operators of equipment such as stationary refrigeration/air-conditioning equipment and heat pumps that contain fluorinated greenhouse gases. Mandatory documented leak checks must be made based on how much damage could be caused to the atmosphere if the whole charge were released. The frequency of the test inspections is based on the GWP of the refrigerant multiplied by the estimated volume contained in each individual system – this gives the CO₂e (CO₂ equivalent) figure.

Leak checking shall be carried out with the following frequency:

- (a) once per year if the system contains between 5 and <50 tonnes CO₂e;
- (b) once every 6 months if the system contains between 50 and <500 tonnes CO₂e;
- (c) once every 3 months if the system contains more than 500 tonnes CO₂e.

NOTE: The leak checking frequency can be halved if permanent leak detection systems are fitted. Permanent leak detection systems are mandatory for system charges of 500 tonnes CO₂e and above.

Table 5 below sets out the

- F-gas thresholds, in tonnes CO₂ equivalent, at which leak check intervals are specified;
- maximum allowed interval between leak checks for equipment that meets each threshold;
- quantities of commonly used HFCs/refrigerant equal to each threshold.

Refrigerant	GWP	Maximum interval between leak checks 1 year	Maximum interval between leak checks 6 months	Maximum interval between leak checks 3 months
		5 to <50 T CO ₂ e	50 to <500 T CO ₂ e	≥500 T CO ₂ e
R134a	1430	3.49 kg	34.96 kg	349.65 kg
R450A	547	9.25 kg	92.5 kg	925.92 kg
R513A	631	7.93 kg	79.36 kg	793.65 kg
R404A	3922	1.27 kg	12.75 kg	127.50 kg
R448A	1273	3.93 kg	39.37 kg	393.7 kg
R449A	1397	3.57 kg	35.71 kg	357.14 kg
R407A	2107	2.37 kg	23.73 kg	237.30 kg
R407C	1774	2.81 kg	28.18 kg	281.84 kg
R407F	1825	2.73 kg	27.32 kg	273.22 kg
R22	1810	2.76 kg	27.62 kg	276.24 kg

Table 5: F-gas Regulation leak check intervals (based on refrigerant type and system charge thresholds)

The F-gas Regulation contains additional requirements depending on the system and stipulates training requirements for alternative refrigerants.

HFO refrigerants are covered by the F-gas Regulation as far as reporting of placing on the market is concerned.

6.2 Exchanging the refrigerant

Qualified refrigerants and oils are given in Chapter 2.4.1.

It is not necessary to replace the refrigerant with new unless contamination due to an error such as topping up the system with an incorrect refrigerant is suspected. To verify correct refrigerant composition, a sample can be taken for chemical analysis. A check can be made during shut down by comparing the refrigerant temperature and pressure using precision measurements at a location

in the system where liquid and vapour phases are present and when the temperatures have stabilised.

In the event that the refrigerant needs replacing, the charge should be recovered using a suitable recovery unit.

In the event that R22 in a system with mineral oil is to be replaced with an HFC refrigerant, the oil must also be changed.

NOTE: Please refer to Technical Information CC7.26.1 "Refrigerant Changeover from HCFC to HFC Refrigerants" and CC7.26.3 "Refrigerant Changeover from R404A/R507 to HFC R407A, R407F, R448A, R449A".

6.3 Replacing a compressor



CAUTION

Inadequate lubrication! Bearing destruction! Exchange the accumulator after replacing a compressor with a burned-out motor. The accumulator oil return orifice or screen may be plugged with debris or may become plugged. This will result in starvation of oil to the new compressor and a second failure.

In the case of a motor burnout, the majority of contaminated oil will be removed with the compressor. The rest of the oil is cleaned through the use of suction and liquid line filter driers. A 100 % activated alumina suction line filter drier is recommended but must be removed after 72 hours. **It is highly recommended that the suction accumulator be replaced if the system contains one.** This is because the accumulator oil-return orifice or screen may be plugged with debris or may become plugged shortly after a compressor failure. This will result in starvation of oil to the replacement compressor and a second failure. When a single compressor or tandem is exchanged in the field, it is possible that a major portion of the oil may still be in the system. While this may not affect the reliability of the replacement compressor, the extra oil will add to rotor drag and increase power usage.

6.4 Lubrication and oil removal



CAUTION

Chemical reaction! Compressor destruction! Do not mix up ester oils with mineral oil and/or alkyl benzene when used with chlorine-free (HFC) refrigerants.

The compressor is supplied with an initial oil charge. The standard oil charge for use with refrigerants R404A, R407A, R407C, R407F, R448A, R449A, R450A, R507, R513A and R134a is a polyolester (POE) lubricant Emkarate RL 32 3MAF. In the field the oil level could be topped up with Mobil EAL Arctic 22 CC if 3MAF is not available. The standard mineral oil for R22 is Suniso 3GS.

One disadvantage of POE is that it is far more hygroscopic than mineral oil (see **Figure 31**). Only brief exposure to ambient air is needed for POE to absorb sufficient moisture to make it unacceptable for use in a refrigeration system. Since POE holds moisture more readily than mineral oil it is more difficult to remove it through the use of vacuum. Compressors supplied by Emerson Climate Technologies contain oil with low moisture content, and it may rise during the system assembling process. Therefore it is recommended that a properly sized filter-drier is installed in all POE systems. This will maintain the moisture level in the oil to less than 50 ppm. If oil is charged into a system, it is recommended to use POE with moisture content no higher than 50 ppm.

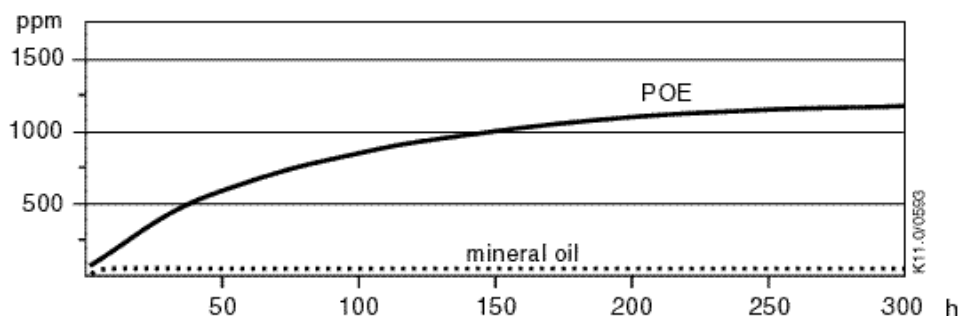


Figure 31: Absorption of moisture in ester oil in comparison to mineral oil in ppm by weight at 25 °C and 50 % relative humidity (h=hours)

The diagram above compares the hygroscopic characteristics of POE oil with mineral oil (moisture absorption in PPM at 25 °C and 50 % relative humidity).

If the moisture content of the oil in a refrigeration system reaches unacceptably high levels, corrosion and copper plating may occur. The system should be evacuated down to 0.3 mbar or lower. If there is uncertainty as to the moisture content in the system, an oil sample should be taken and tested for moisture. Sight glass/moisture indicators currently available can be used with HFC refrigerants and lubricants. However, the moisture indicator will just show the moisture content of the refrigerant. The actual moisture level of POE would be higher than indicated by the sight glass. This is due to the high hygroscopicity of the POE oil. To determine the actual moisture content of the lubricant, samples have to be taken from the system and analysed.

6.5 Oil additives

Although Emerson cannot comment on any specific product, from our own testing and past experience, we do not recommend the use of any additive to reduce compressor bearing losses or for any other purpose. Furthermore, the long-term chemical stability of any additive in the presence of refrigerant, low and high temperatures, and materials commonly found in refrigeration systems is complex and difficult to evaluate without rigorously controlled chemical laboratory testing. The use of additives without adequate testing may result in malfunction or premature failure of components in the system and, in specific cases, in voiding the warranty on the components.

6.6 Unbrazing system components



WARNING

Explosive flame! Fire hazard! Oil-refrigerant mixtures are highly flammable. Remove all refrigerant before opening the system. Avoid working with an unshielded flame in a refrigerant-charged system.

Before opening up a system it is important to remove all refrigerant from both the high and low sides of the system. If a brazing torch is then applied to the low side while the low side shell and suction line contain pressure, the pressurized refrigerant and oil mixture could ignite when it escapes and contacts the brazing flame. To prevent this occurrence, it is important to check both the high and low sides with manifold gauges before unbrazing. Instructions should be provided in appropriate product literature and assembly (line repair) areas. If compressor removal is required, the compressor should be cut out of system rather than unbrazed.

7 Dismantling & disposal



Removing oil and refrigerant:

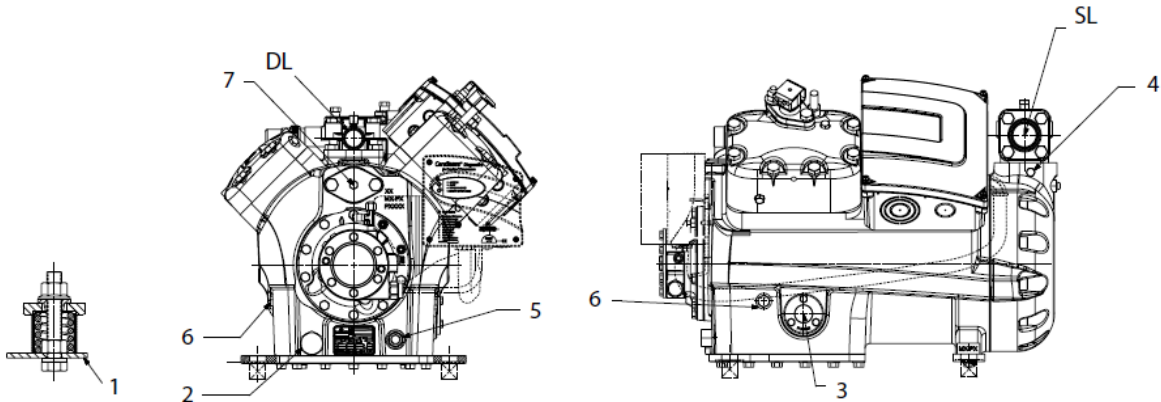
- Do not disperse in the environment.
- Use the correct equipment and method of removal.
- Dispose of oil and refrigerant in compliance with national legislation and regulations.

Dispose of compressor in compliance with national legislation and regulations.

Appendix 1: Connections of Stream Digital compressors

4M*D

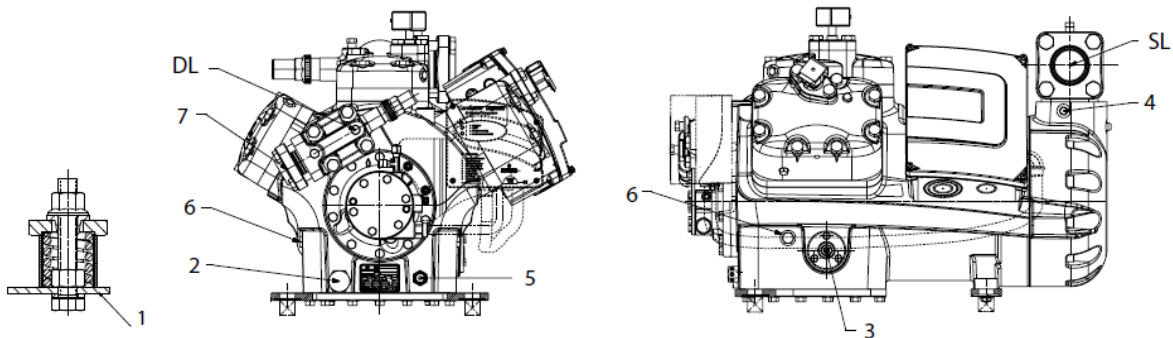
4MFD-13X 4MLD-15X 4MMD-20X 4MTD-22X 4MUD-25X
 4MAD-22X 4MHD-25X 4MID-30X 4MJD-30X 4MKD-32X



SL	Suction line size (sweat) 4MFD-13X, 4MLD-15X, 4MAD-22X	Ø 1 5/8"	DL	Discharge line size (sweat) 4MFD-13X, 4MLD-15X, 4MAD-22X, 4MMD-20X, 4MHD-25X, 4MID-30X	Ø 1 1/8"
SL	Suction line size (sweat) 4MMD-20X, 4MHD-25X, 4MTD-22X, 4MJD-30X, 4MUD-25X, 4MKD-35X	Ø 2 1/8"	DL	Discharge line size (sweat) 4MTD-22X, 4MJD-30X, 4MUD-25X, 4MKD-35X	Ø 1 3/8"
1	Base mountings	Ø 25.5 mm	5	Crankcase heater	
2	Magnetic plug	1" - 16 UN	6	Plug oil charge	1/4"
3	Oil sight glass	1/4" - 20 UNC	7	Plug high-pressure connection	1/8"
4	Plug low-pressure connection	1/8"			

6M*D

6MMD-30X 6MTD-35X 6MUD-40X
 6MID-40X 6MJD-45X 6MKD-50X



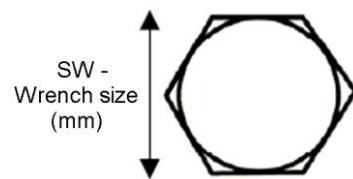
SL	Suction line size (sweat) 6MMD-30X, 6MTD-35X, 6MID-40X, 6MJD-45X	Ø 2 1/8"	DL	Discharge line size (sweat) 6MTD-35X, 6MUD-40X, 6MJD-45X, 6MKD-50X	Ø 1 5/8"
SL	Suction line size (sweat) 6MKD-50X, 6MUD-40X	Ø 2 5/8"	DL	Discharge line size (sweat) 6MID-40X, 6MMD-30X	Ø 1 3/8"
1	Base mountings	Ø 25.5 mm	5	Crankcase heater	
2	Magnetic plug	1" - 16 UN	6	Plug oil charge	1/4"
3	Oil sight glass	1/4" - 20 UNC	7	Plug high-pressure connection	1/8"
4	Plug low-pressure connection	1/8"			

Appendix 2: Tightening torques in Nm

Suction shut-off valve	1/2" - 13 UNC 53 - 84 Nm SW 19	Discharge shut-off valve	1/2" - 13 UNC 53 - 84 Nm SW 19
	5/8" - 11 UNC 104 - 164 Nm SW 23.8	Rotalock nut	1 3/4" - 12 UNF 41 - 54 Nm SW 50
Bottom plate	3/8" - 16 UNC 57 - 68 Nm SW 14.2	Mounting foot	3/8" - 16 UNC 57 - 68 Nm SW 14.2
Stator cover	1/2" - 13 UNC 68-79 Nm SW 18	Housing cover	3/8" - 16 UNC 57 - 68 Nm SW 14.2
Oil pump	5/16" - 18 UNC 31 - 37 Nm SW 12.7	Oil sight glass	1/4" - 20 UNC 4.5 - 6 Nm SW 11
OPS2, OPS3 Oil pressure switch sensor	60 - 75 Nm	OPS2, OPS3 Electronic switch	10 Nm max
Terminal stud	10 - 32 UNF 3 - 4 Nm SW 9	Terminal stud thermistors	10 - 32 UNF 3.4 - 4 Nm SW 9
	1/4" - 28 UNF 5 - 6.5 Nm SW 10	Mounting plate for terminals	3/8" - 16 UNC 57 - 68 Nm SW 14.2
Cylinder head	1/2" - 13 UNC 129 - 149 Nm SW 18	Bolt for connecting rod	1/4" - 28 UNF 15 - 18 Nm Torx screws*
Plug 4	1/4" - 18 NPTF 27 - 50 Nm SW 17.5	Magnetic plug	1" - 16 UN 102 - 136 Nm SW 25.4

* In case of replacement of the piston con-rod assemblies, clean the Torx screws and apply Loctite 2701.

The ranges of torque values given in this specification are assembly torques. Torque after joint relaxation must be within 15 % of the minimum assembly torque unless re-torque is called for and must not be above 10 % of the maximum assembly torque.



Disclaimer

1. The contents of this publication are presented for informational purposes only and are not to be construed as warranties or guarantees, express or implied, regarding the products or services described herein or their use or applicability.
2. Emerson Climate Technologies GmbH and/or its affiliates (collectively "Emerson"), as applicable, reserve the right to modify the design or specifications of such products at any time without notice.
3. Emerson does not assume responsibility for the selection, use or maintenance of any product. Responsibility for proper selection, use and maintenance of any Emerson product remains solely with the purchaser or end user.
4. Emerson does not assume responsibility for possible typographic errors contained in this publication.

BENELUX

Josephinastraat 19
NL-6462 EL Kerkrade
Tel: +31 45 535 06 73
Fax: +31 45 535 06 71
benelux.sales@emerson.com

GERMANY, AUSTRIA & SWITZERLAND

Theo-Mack Str. 3
DE-63477 Maintal
Tel: +49 6109 605 90
Fax: +49 6109 60 59 40
ECTGermany.sales@emerson.com

FRANCE, GREECE & MAGHREB

8, Allée du Moulin Berger
FR-69134 Ecully Cédex, Technoparc - CS 90220
Tel: +33 4 78 66 85 70
Fax: +33 4 78 66 85 71
mediterranean.sales@emerson.com

ITALY

Via Ramazzotti, 26
IT-21047 Saronno (VA)
Tel: +39 02 96 17 81
Fax: +39 02 96 17 88 88
italy.sales@emerson.com

SPAIN & PORTUGAL

C/ Pujades, 51-55 Box 53
ES-08005 Barcelona
Tel: +34 93 412 37 52
iberica.sales@emerson.com

CZECH REPUBLIC

Hajkova 22
CZ - 133 00 Prague
Tel: +420 733 161 651
Fax: +420 271 035 655
Pavel.Sudek@emerson.com

ROMANIA & BULGARIA

Parcul Industrial Tetarom 2
Emerson Nr. 4 400641 Cluj-Napoca
Tel: +40 374 13 23 50
Fax: +40 374 13 28 11
ro-bg.sales@emerson.com

ASIA PACIFIC

Suite 2503-8, 25/F, Exchange Tower
33 Wang Chiu Road, Kowloon Bay
Kowloon, Hong Kong
Tel: +852 2866 3108
Fax: +852 2520 6227

UK & IRELAND

Unit 17, Theale Lakes Business Park
Reading, Berkshire RG7 4GB
Tel: +44 1189 83 80 00
Fax: +44 1189 83 80 01
uk.sales@emerson.com

SWEDEN, DENMARK, NORWAY & FINLAND

Pascalstr. 65
DE-52076 Aachen
Tel: +49 2408 929 0
Fax: +49 2408 929 525
nordic.sales@emerson.com

EASTERN EUROPE & TURKEY

Pascalstr. 65
DE-52076 Aachen
Tel: +49 2408 929 0
Fax: +49 2408 929 525
easterneurope.sales@emerson.com

POLAND

Szturmowa 2
PL-02678 Warsaw
Tel: +48 22 458 92 05
Fax: +48 22 458 92 55
poland.sales@emerson.com

RUSSIA & CIS

Dubininskaya 53, bld. 5
RU-115054, Moscow
Tel: +7 - 495 - 995 95 59
Fax: +7 - 495 - 424 88 50
ECT.Holod@emerson.com

BALKAN

Selska cesta 93
HR-10 000 Zagreb
Tel: +385 1 560 38 75
Fax: +385 1 560 38 79
balkan.sales@emerson.com

MIDDLE EAST & AFRICA

PO Box 26382
Jebel Ali Free Zone - South, Dubai - UAE
Tel: +971 4 811 81 00
Fax: +971 4 886 54 65
mea.sales@emerson.com

For more details, see www.climate.emerson.com/en-gb
Connect with us: [facebook.com/EmersonCommercialResidentialSolutions](https://www.facebook.com/EmersonCommercialResidentialSolutions)



Emerson Commercial & Residential Solutions
Emerson Climate Technologies GmbH - Pascalstrasse 65 - 52076 Aachen, Germany
Tel. +49 (0) 2408 929 0 - Fax: +49 (0) 2408 929 570 - Internet: www.climate.emerson.com/en-gb

The Emerson logo is a trademark and service mark of Emerson Electric Co. Emerson Climate Technologies Inc. is a subsidiary of Emerson Electric Co.
Copeland is a registered trademark and Copeland Scroll is a trademark of Emerson Climate Technologies Inc. All other trademarks are property of their respective owners.
Emerson Climate Technologies GmbH shall not be liable for errors in the stated capacities, dimensions, etc., as well as typographic errors. Products, specifications, designs and technical data contained in this document are subject to modification by us without prior notice. Illustrations are not binding.

© 2019 Emerson Climate Technologies, Inc.

EMERSON. CONSIDER IT SOLVED.™