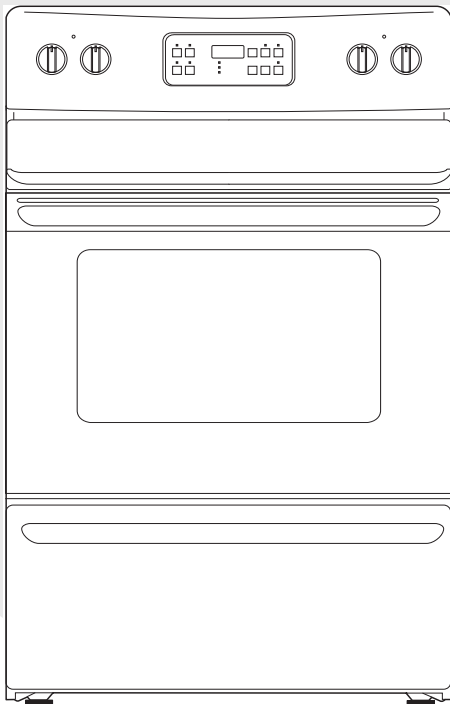


FRIGIDAIRE

Factory Parts Catalog



Product No.	CFEF3048LSH
Series	30" f/s elec
Color	stainless
Market	Canada
Owner's Guide	316902309
Installation Instructions	316259203
Service Data Sheet	316905230

Frigidaire

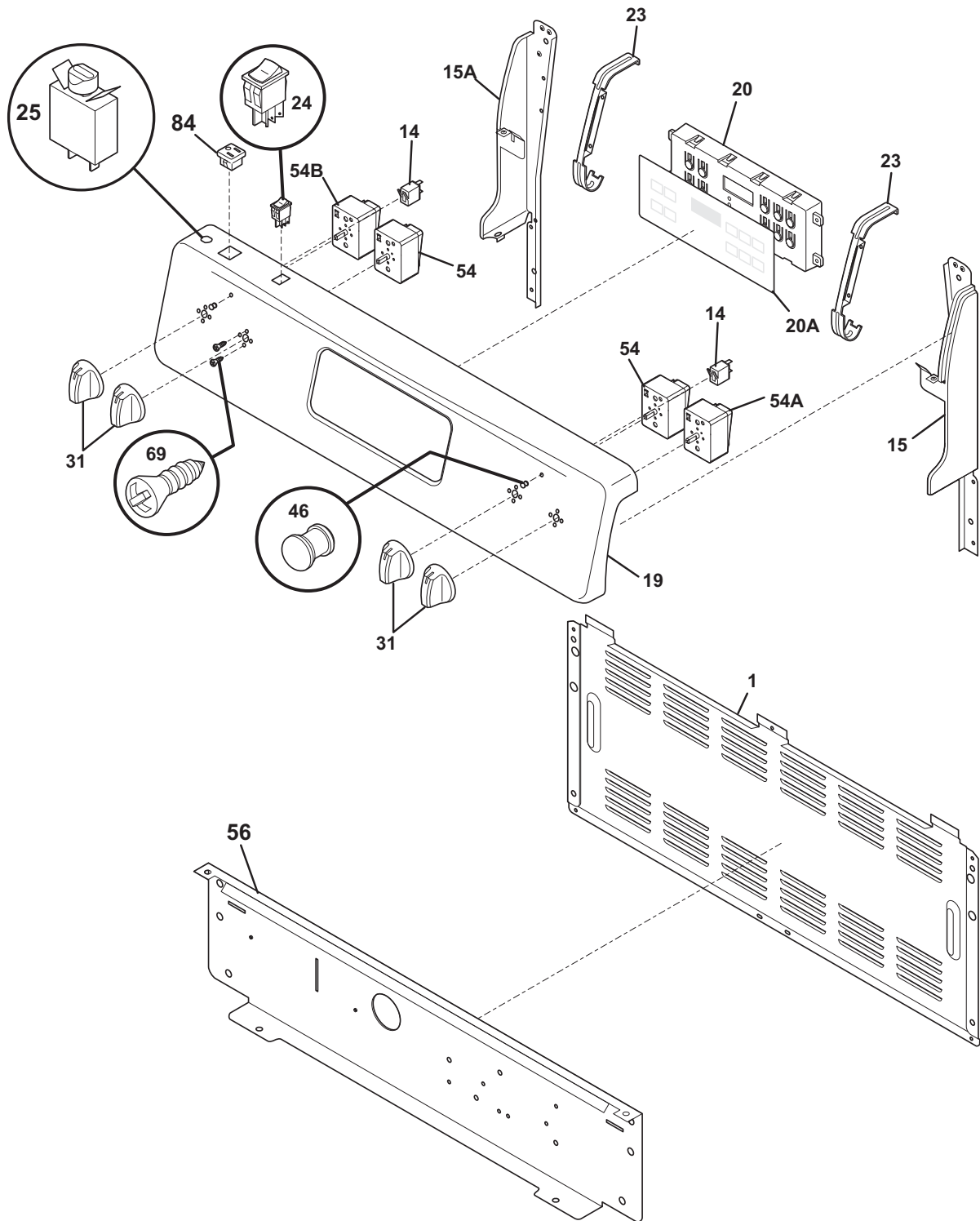
5855 TERRY FOX WAY
MISSISSAUGA, ONTARIO, CANADA L5V 3E4

Publication No.
5995603403
11/11/17
(EN/SERVICE/VJW)
369

30-INCH FREE- STANDING ELECTRIC RANGE

Model No.
CFEF3048L

BACKGUARD

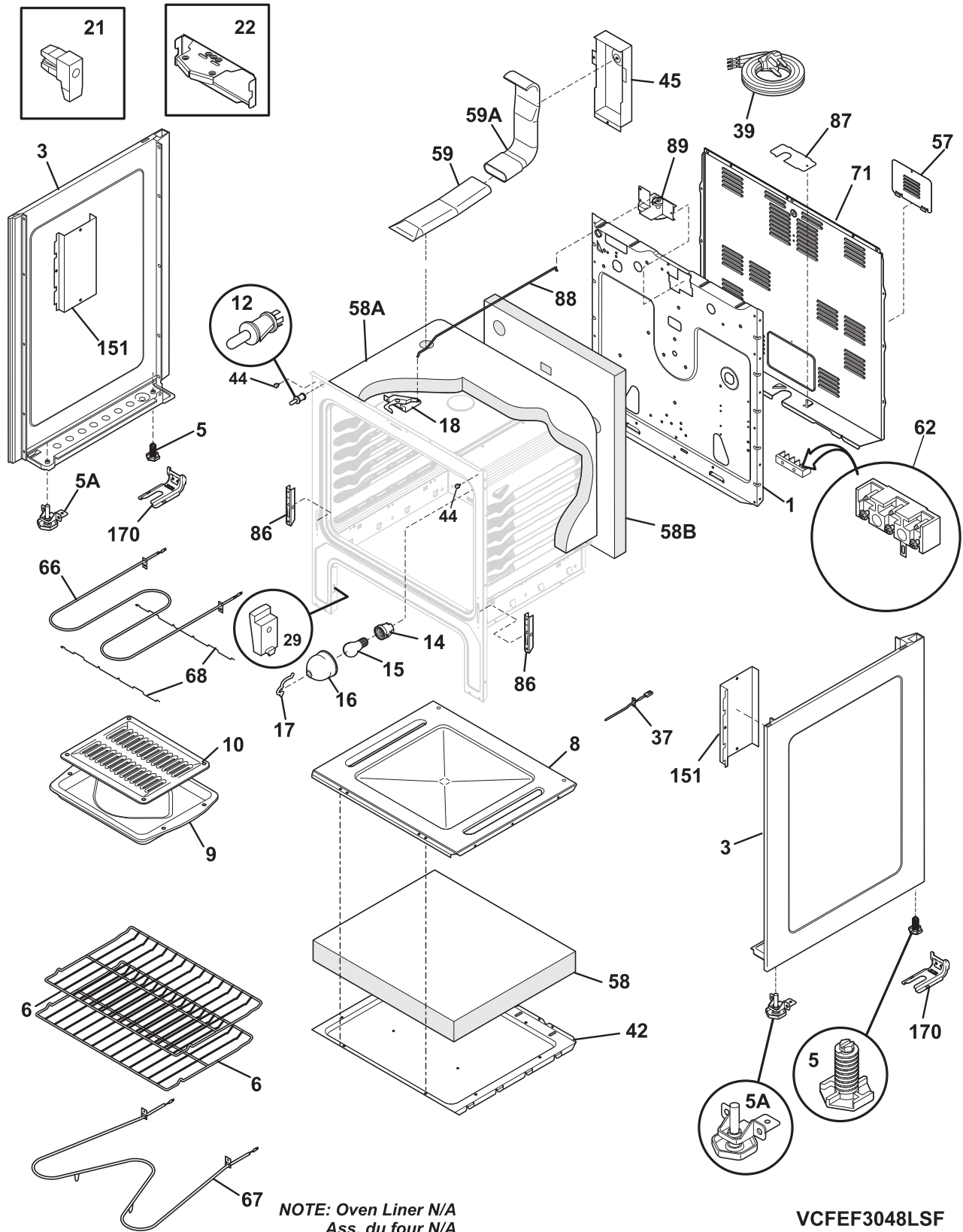


CFEF3018LBA

BACKGUARD

POS. NO	PART NO.	DESCRIPTION
1	316281800	Shield, backguard, rear wall
14	316022500	Light/Lamp, indicator, 125 V
15	316411405	Support, backguard, black, RH
15A	316411404	Support, backguard, black, LH
19	316456534	Panel, backguard, stainless
20 #	316557115	Clock/Timer, electronic, ES300
*	316021110	Screw, 8-18 x 0.5, black
20A	316419141	Overlay, clock, black, ES300
23	316441600	Bracket-clock mtg, black
24 #	316448700	Switch, rocker, black, oven light
25 #	316508401	Switch, circuit break
31	316543801	Knob, control, black, (4)
46	316437900	Lens, indicator light
54 #	316436000	Switch, infinite, small element
54A#	316436001	Switch, infinite, large element
54B#	316238201	Switch, infinite radian, dual
56	316370101	Shield, backguard, black
69	5303288565	Screw, truss sqdr, 8-32 x 3/16, switch mtg
84	318146832	Outlet, electrical, black, combined
*	316021105	Screw, hex head cup pt, 8-18 x 0.375, black
*	316089500	Screw, 10-16 x .486

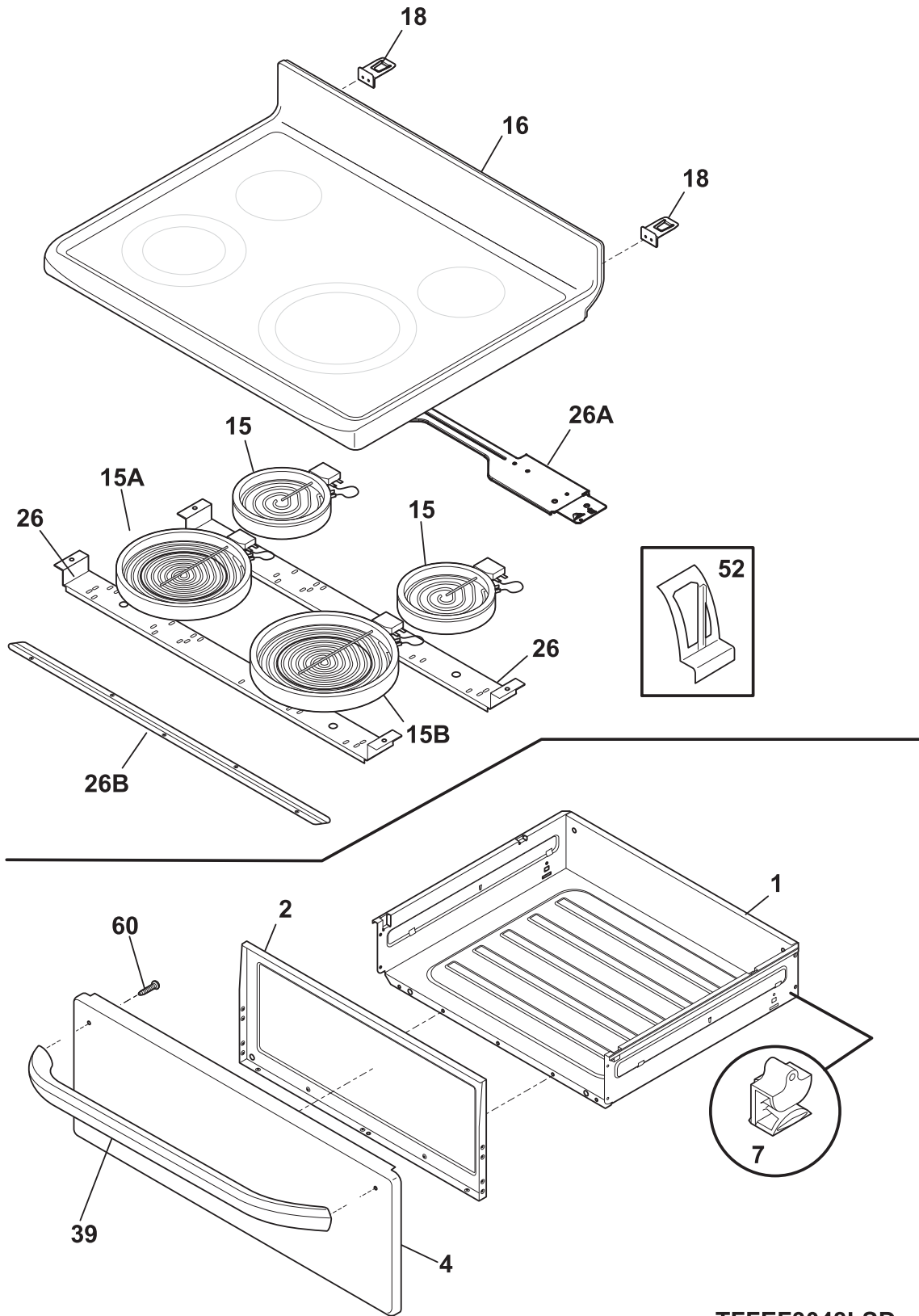
BODY



BODY

POS. NO	PART NO.	DESCRIPTION
1	316401802	Panel, main back
*	316418901	Screw, trilobe, 10-32 x 5/16", black
3	316400118	Panel, bodyside, black, RH
3	316400119	Panel, bodyside, black, LH
5	316272900	Screw, leveling, plastic, rear, (2)
5A	316498900	Leveling Leg Assy, metal, front, (2), bracket & leg
6	316496202	Rack, oven
8	316400601	Panel, oven bottom
*	316418900	Screw, sims lp, #8-32 x 5/16", black
*	316260800	Screw-shoulder, w/shoulder, #8-18 x 1/2"
*	316282700	Screw, w/washer, 8-18
9	316081900	Pan, broiler OPTIONAL ACCESSORY
10	316082000	Insert, broiler pan OPTIONAL ACCESSORY
12	316445501	Switch, oven light, door frame
14	316116400	Receptacle, oven light
15	316538901	Lamp, oven light
16	318406100	Lens, oven light, glass
17	316087500	Retainer, lens
18 #	316405800	Latch Assembly, oven door
*	5303285179	Screw, wafer head, 8-32T x 0.500, black
21	316408000	Clip, bodyside
22	316286300	Bracket-bodyside, (2)
29	316407301	Glide, drawer, front
37 #	316490000	Probe, oven temp
39 #	318113111	Cord, electric
42	316400701	Shield, wool, lower
44	316517600	Spacer, oven door
45	316234100	Shield, wire, vent tube
57	316283600	Cover, access
58	316403803	Insulation, oven bottom
58A	316406601	Insulation, oven wrapper
58B	316406500	Insulation, oven back
59	316208401	Vent Tube, assembly, w/catalyst
59A	316208304	Tube, oven vent, upper
62	5303935061	Terminal Block Kit
62*	316001003	Screw, ground wire
62*	316205500	Nut, hex flange, 3/8 10-32
66 #	316199900	Element, broil
67	316075104	Element, bake
68	316404000	Support, element, broil
71	316283200	Shield, rear wall
86	316441300	Receptacle, hinge
87	316081202	Bracket, cable mtg
88	316203500	Rod, auto latch
89 #	316464300	Motor-latch
151	316404600	Shield, bodyside
170	316112004	Anti Tip Kit, assembly
170*	316107200	Bracket, anti-tip
170*	316116000	Screw, concrete, 1.75", anti-tip brkt
170*	316541700	Template, anti-tip
* #	316580204	Harness, wiring, main
*	316506000	Bracket, support, oven bottom, (2)
*	316581300	Retainer, wire
*	316021105	Screw, hex head cup pt, 8-18 x 0.375, black
*	316021110	Screw, 8-18 x 0.5, black
*	5303289910	Screw, 8A, 1"

TOP/DRAWER

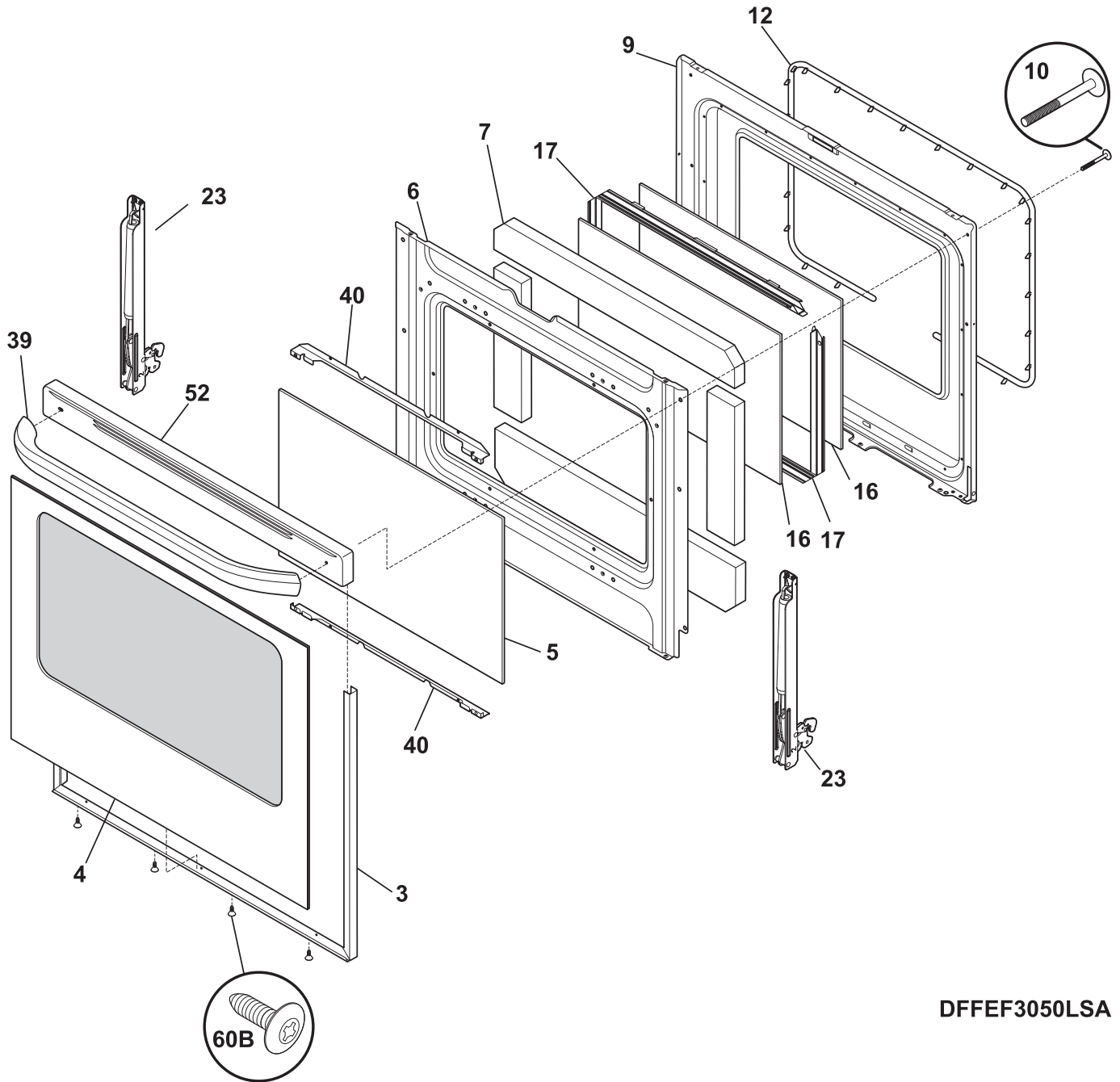


TFFE3048LSD

TOP/DRAWER

POS. NO	PART NO.	DESCRIPTION
1	316408703	Drawer, utility
2	316403300	Liner, drawer
4	5303935276	Drawer Panel Assy, outer, stainless, w/overlay, w/tape
7	316407400	Glide, drawer, rear
15 #	318178110	Element, surface, 6", 1200, (2), radiant
15A#	316555800	Element, dual, 9"/6", surface, 1300W/1200W, (2), radiant
15B#	318198827	Element, surface, 12", 2700 W
16	316531983	Main, top, smooth/glass, black
18	316580800	Bracket-hinge, main top
26	316427603	Channel, element support, (2)
26A	316498200	Bracket-support, chassis, aluminum
26B	316214202	Bracket, chassis support, front
39	316558200	Handle, door, stainless
52	316461700	Clip, element mtg
60	5303288572	Screw-handle mtg
*	316468100	Cleaner, smoothtop, w/sponge
* #	316580455	Harness, wiring, surface units
*	316021105	Screw, hex head cup pt, 8-18 x 0.375, black
*	316089500	Screw, 10-16 x .486
*	5308014215	Screw, 6-20 x 0.312

DOOR



DFFE3050LSA

DOOR

POS. NO	PART NO.	DESCRIPTION
3	5303935317	Trim kit-door, 3 sided, black, w/tape
4	316453010	Glass Assembly, oven door, w/tape, outer
5	316502600	Glass, door, airwash
6	316406312	Shield-wool
7	316405600	Insulation, oven door
9	316423701	Liner, oven door
10	316513301	Screw, handle mtg, 10-24 x 2.188, (2)
12	316405000	Seal, oven door
16	316117503	Glass, oven door, inner
17	316559901	Spacer, door glass, (2)
23	316456311	Hinge, oven door, (2)
23*	316418900	Screw, sims lp, #8-32 x 5/16", black
39	316558200	Handle, door, stainless
40	316530403	Bracket-airwash glass wash
52	316575501	Cap, door trim, black
60B	316021110	Screw, 8-18 x 0.5, black
*	316433603	Label, anti-tip