

Product Catalog | Ventilation Solutions

US Edition II | 14/15





“ Making fans is what we do here at Fantech. Our customer commitment is to be simply better™.

How can we make you a Fan today?”

Phil Rivas
Director of Sales
Fantech

NEW

VHR 70R, Heat Recovery Ventilator
#44695, \$960.- See Dwell.

We always have something new

Operating from the core values of simplicity and reliability, our business concept is to develop high-quality ventilation products. Worldwide we have over 160 R&D engineers constantly seeking smarter and more efficient ways to ventilate buildings and homes. That's simply better™.

NEW Makeup Air Solution for a Residential Home
See Cook.



NEW VHR 150R
Heat Recovery Ventilator
#44859, \$1,200.-
See Dwell.



NEW EDF 7, Electronic Multifunction
Dehumidistat
#44883, \$81.- See Complete.



NEW RTS 5, Push Button Timer
#44794, \$42.- See Complete.



NEW PB 270F-2ES,
ENERGY STAR® Bath Fan
#47568, \$443.- See Relax.



NEW 1SDE 36CB
Standard Duty Exhaust Fan Kit
#45534, \$744.-
See Store.



NEW EPD 150LR
Industrial Dehumidifier
#412951, \$2,142.-
See Dry.



Heat Recovery Ventilators
Energy Recovery Ventilators

Live
Homes

6

Whole-House HEPA Filtration
Air Exchangers
Inline Filter Boxes

Filter
Homes

36

Heat Recovery Ventilators
Energy Recovery Ventilators

Dwell
Apartments

46

Premium Bathroom Fans
Exterior Mount Bathroom Fans
Ceiling Mount Bathroom Fans

Relax
Bathrooms

72

Dryer Exhaust Fans

Clean
Laundries

82

Exterior Wall Mount Fans

Park
Garages

90

Slimline Radon Fans
Centrifugal Inline Fans

Protect
Radon mitigation

96

Upblast Exhaust Roof Ventilators
Makeup Air and Exhaust Fans
Filtered Supply Units

Cook
Kitchens

106

Direct Drive Downblast Fans
Filtered Supply Units

Make
Workshops

144

Standard Duty Exhaust Wall Fans
Propeller Exhaust Fans
Motorized Dampers

Store
Warehouses

154

Wall Mount Cabinet Ventilators
Axial Fans
Shutter Mounted Fans

Grow
Greenhouses

160

Air Curtains

Enter
Entrances

174

Rectangular Inline Exhaust Fans
Square Inline Fans
Ceiling Exhaust Fans

Wash
Restrooms

180

Dehumidifiers

Dry
Job sites

192

Wall Mount Cabinet Ventilators
Axial Fans
Shutter Mounted Fans

Play
Swimming pools

198

Energy Recovery Ventilators
Downblast Exhaust Roof Ventilators

Work
Offices

212

Controls and Switches
Silencers and Dampers
Grilles and Filters

Complete
Accessories

238

Terms and Conditions of Sale
Contact us
Index

Learn
Information

252

Product Range

We are the "V" in HVAC

Fantech manufactures an extensive range of ventilation products, beginning with our industry's first Centrifugal Inline Fan to a wide range of commercial fans. Fantech also manufactures a high quality range of residential and light commercial HRV/ERVs. A full compliment of Air Terminal Devices, Controls, and accessories completes the full range of residential and commercial ventilation products.

These products are installed in a variety of locations, including apartments, condos, single family homes, offices, hotels, stores, training facilities and sports centres, warehouses and manufacturing plants. The most common usage is comfort ventilation.

INDOOR AIR QUALITY

Complete energy-efficient Heat and Energy Recovery Ventilators with built-in control systems for projects that demand high efficiency ventilation and energy savings.

Up to 67 cfm **NEW**

with top and side connections



Find out more on pages 6-13 and 46-62

Up to 200 cfm **NEW**

greater airflow for larger spaces



Find out more on pages 14-21 and 64-71

Up to 320 cfm

applications with maximum recovery



Find out more on pages 22-25

HEPA Filters

for Whole-House Filtration



Find out more on page 36

For commercial ventilation **NEW**

with simple project implementation
for retrofit or new construction



Find out more on pages 198-229

FANS

Our manufactured range of fans includes everything from a Centrifugal Inline Fan - our first product – to our wide range of Powered Roof Ventilators. Our fans range from 80 cfm bath fans on up to our large roof or wall mount exhaust fans that exceed 29,000 cfm. Each fan has been developed, tested and manufactured to comply with the latest in HVI, AMCA, CSA or UL standards. Our fans are second to none in quality, reliability and length of service life.

Inline Fans

Circular, rectangular or square connection fans.



Find out more on pages 106-127, 180-189

Bathroom Fans

Quiet and reliable exhaust bathroom fans and fan lights.



Find out more on pages 72-81

Power Roof Ventilators

For extract air systems that transport normal or kitchen exhaust.



Find out more on pages 132-151 and 230-237

Axial Ventilators NEW

Axial fans for square connection or wall mounting.



Find out more on pages 154-173

Radon Fans

For radon mitigation applications.



Find out more on pages 96-105

Dryer Exhaust Fans

Circular exhaust fans and kits for residential dryers.



Find out more on pages 82-89

DEHUMIDIFIERS

Whether you're cleaning up water damage after a hurricane, drying lumber, or just need to keep your job site or warehouse humidity under control. We have a dehumidifier to fit your needs.

Low Grain Industrial Dehumidifiers NEW

Exceptional performance across the full range of jobsite conditions.



Find out more on page 196

Heavy and Light Duty Dehumidifiers NEW

Great for flood recovery and restoration in both commercial and industrial environments.



Find out more on page 197

ACCESSORIES

Fantech's range also includes a wide selection of air terminal devices and controls for many different environments and applications.

Supply & Exhaust Grilles

For mounting in ceilings and walls.



Find out more on page 240

Controls and switches NEW

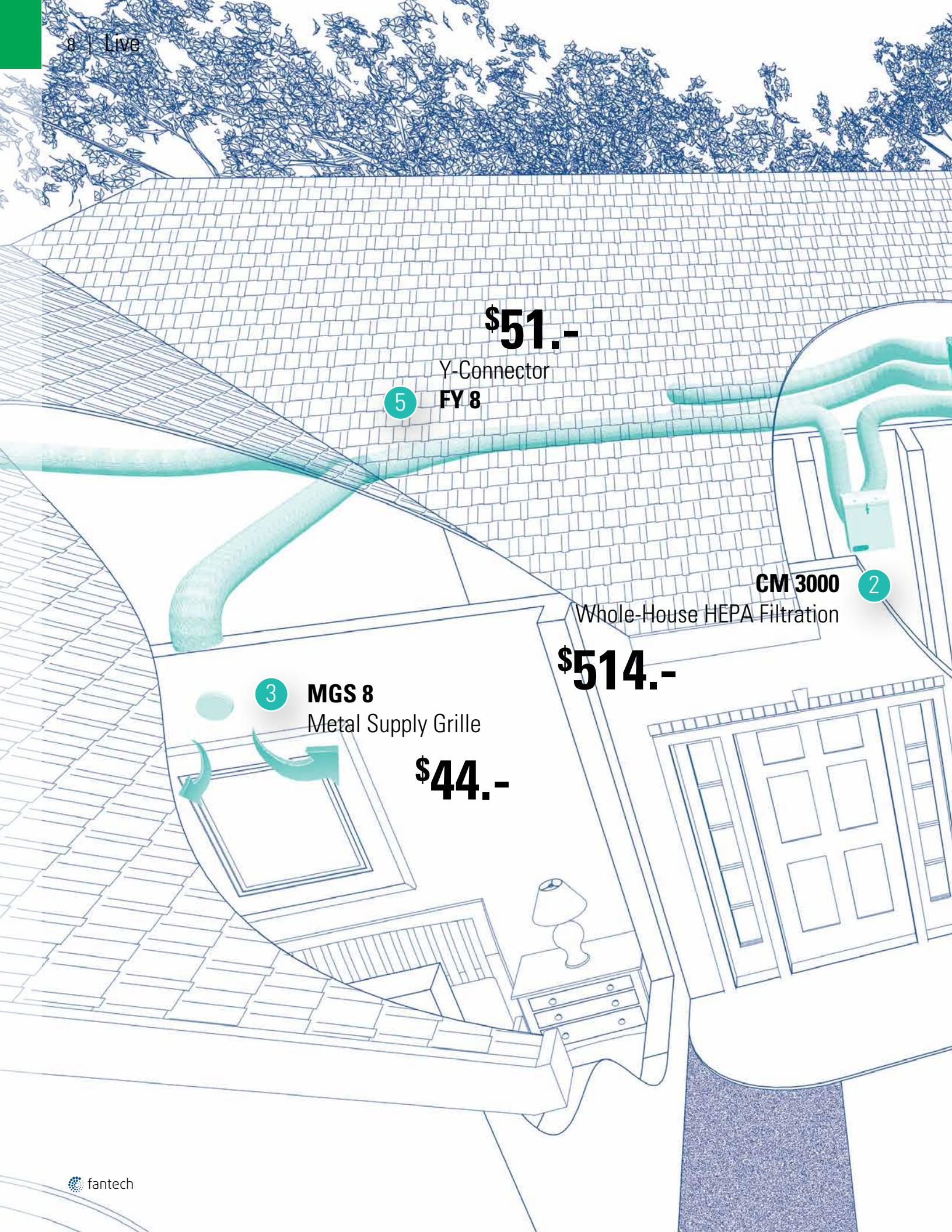
Ventilation control



Find out more on page 242

**We can fill your
home with
healthy, fresh air.**





\$51.-

Y-Connector
FY 8

5

CM 3000

Whole-House HEPA Filtration

2

\$514.-

3

MGS 8
Metal Supply Grille

\$44.-

The best solution for a single family home

Homes that utilize traditional HVAC systems, hydronic radiant heating, or the popular ductless mini-split solutions can all benefit by having fresh, filtered air at all times. The best Indoor Air Quality depends on a combination of ventilation and filtration.

Coupling a Fantech Heat Recovery Ventilator (HRV) or Energy Recovery Ventilator (ERV) with a CM 3000 filtration unit provides you the homeowner with the best of both worlds, fresh clean air, filtered and distributed around your home while saving energy.

Using this system provides balanced filtered ventilation throughout the home that does not upset any gas or fossil fuel appliance or system. You can breathe easy knowing the air in your home is clean and fresh.

1. SHR 1504 / \$953.-

Heat Recovery Unit

120V, 149 cfm @ 0.4" Ps, 156W

This side port connection HRV is designed for budget conscious home projects. See page 14.

2. CM 3000 / \$514.-

Whole-House HEPA Filtration

120V, 240 cfm @ 0.4" Ps, 150W

The unit is designed to filter air in an average 2,200 sq.ft. home once an hour. See page 40.

3. MGS 8 / \$44.-

Metal Supply Grille

Directional 180° distribution pattern and an adjustable gap grilles. See page 241.

4. MGE 8 / \$40.-

Metal Exhaust Grille

The grille has a lockable central cone, which is rotated to adjust the pressure and consequently the air volume. See page 241.

5. FY 8 / \$51.-

Y-Connector

Manufactured from sheet steel. See page 242.

\$953.-

Heat Recovery Unit

SHR 1504

1

4

MGE 8

Metal Exhaust Grille

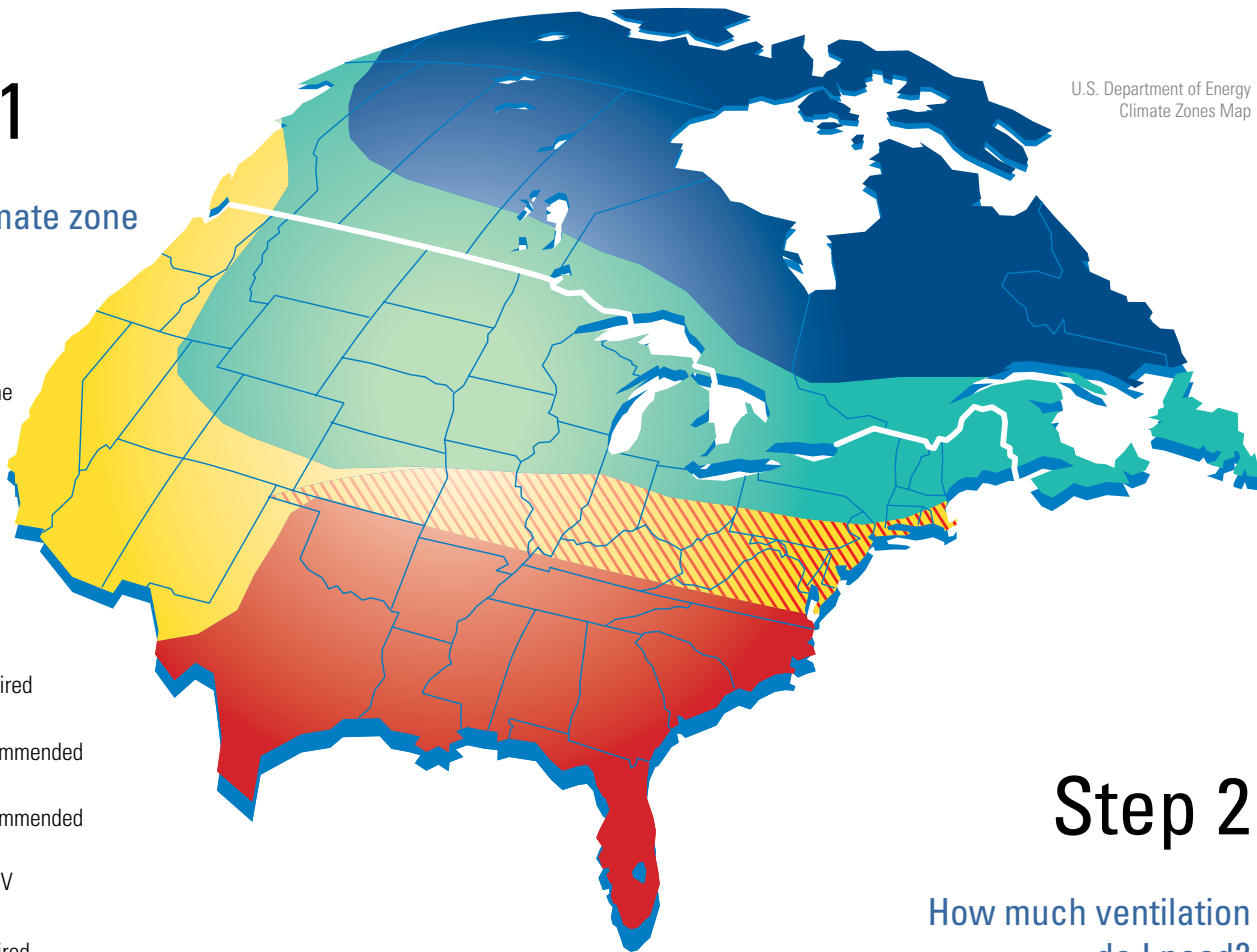
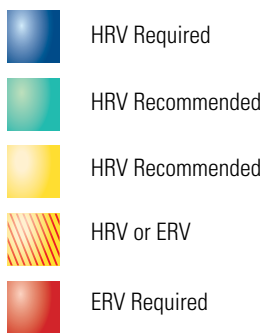
\$40.-

Two simple steps to help you choose the ideal unit for your living space

Step 1

In what climate zone do I live?

Browse the climate conditions where you live to determine whether you need a Heat Recovery Ventilator or an Energy Recovery Ventilator.



HRVs are usually recommended for colder climates with longer heating seasons. ERVs are used for warmer more humid climates with long cooling seasons.

Living area	Number of bedrooms				
	0-1	2-3	4-5	6-7	> 7
sq.ft.	cfm				
< 1,500	30	45	60	75	90
1,500 - 3,000	45	60	75	90	105
3,001 - 4,500	60	75	90	105	120
4,501 - 6,000	75	90	105	120	135
6,001 - 7,500	90	105	120	135	150
> 7,500	105	120	135	150	165

Table 1. Ventilation needs of a home, ASHRAE 62.2

Step 2

How much ventilation do I need?

The American Society of Heating, Refrigeration and Air Conditioning Engineers (ASHRAE) has developed a guideline to evaluate the minimum ventilation needs of a home according to ASHRAE Standard 62.2, Ventilation for Acceptable Indoor Air Quality.

The standard defines whole house and local ventilation needs. Whole house ventilator sizing is based on the home's overall liveable surface area and the number of bedrooms. The whole house ventilation is the continuous ventilation rate required to meet the minimum requirements of the standard, represented in the table to the left.

Along the left side of the table simply select the size of the home; then find the corresponding line matching the number of bedrooms; the resulting number is the amount of CFM you will need in a whole house ventilator. An HRV/ERV can also be used to meet local ventilation needs if a dedicated duct system exists otherwise bathroom and kitchen exhaust may be required to meet minimum ventilation needs.

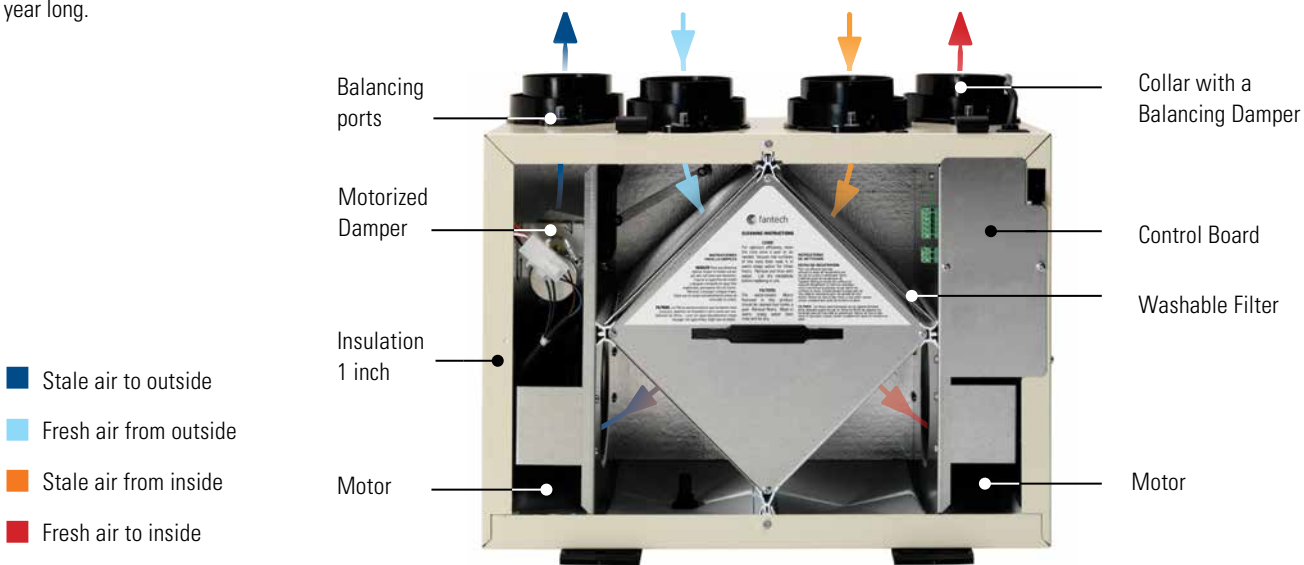
How Do They Work?

Heat Recovery Ventilators (HRVs)

An HRV is designed to bring a continuous supply of fresh air into a home while exhausting an equal amount of contaminated air. HRVs use what is called a “sensible” heat recovery core. This special aluminum core transfers heat from the exhaust air stream to the incoming air stream. During winter fresh incoming air is tempered by the heat that is transferred from the outgoing air so you save on energy costs, while during summer, the incoming air is pre-cooled if the house is equipped with an air cooling system. Fantech HRVs are equipped with automatic defrost mechanisms so even if you live in a cold climate you can use your HRV all year long.

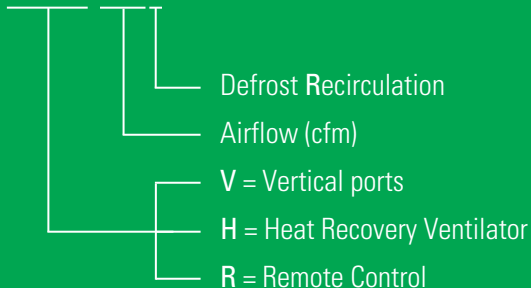
Energy Recovery Ventilators (ERVs)

Fantech’s ERV works much like the HRV but it is equipped with a different type core. The enthalpy core at the center of the unit transfers heat and moisture from the incoming air to the outgoing air that was cooled and dried by the building’s air conditioner. The air brought into the living area is cooled and the humidity is reduced for maximum comfort. The load on your air conditioner is reduced saving on cooling costs.

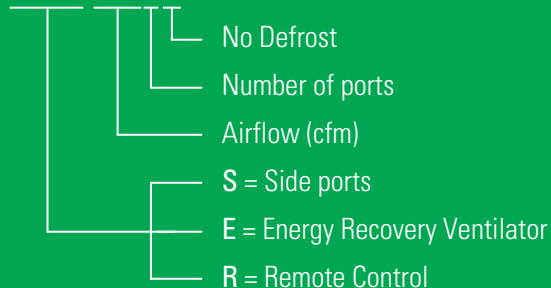


Product Key:

VHR 150R



SER 2004N



SH 704

Heat Recovery Ventilator



Fantech's smallest and most compact side duct connection HRV, the SH 704 unit brings a continuous supply of fresh air into a home while exhausting an equal amount of contaminated air. During winter, fresh incoming air is tempered by the heat that is transferred from the outgoing air so you save on energy costs, while during summer, the incoming air is pre-cooled if the house is equipped with an air cooling system. The SH704 is equipped with automatic defrost mechanisms so even if you live in a cold climate you can use your HRV all year long.

Unit is designed to operate continuously on a single speed. The automatic defrost cycle consists of a fan shutdown. When the supply air stream temperature goes below 23°F, the supply motor shuts down while the exhaust motor continues to ventilate. Ambient air is passed through the unit for a period of 3 or 5 minutes. The supply motor will then re-start and run at the preset speed.



- Airflow up to 56 cfm @ 0.4" P_s serves 1-2 bedroom homes
- Single speed ventilation; no controls needed
- Includes easy-mount wall bracket

Maximum continuous airflow

Defrost cycle time

cfm	in.wg	0.1" P _s	0.2" P _s	0.3" P _s	0.4" P _s	0.5" P _s	Temperature range °F	Run / Defrost time (min)
Net supply air flow		96	85	67	56	42	23 to 14	40 / 3
Gross supply air flow		100	88	70	58	43	14 to 5	30 / 5
Gross exhaust airflow		104	88	73	59	43	5 & lower	20 / 5

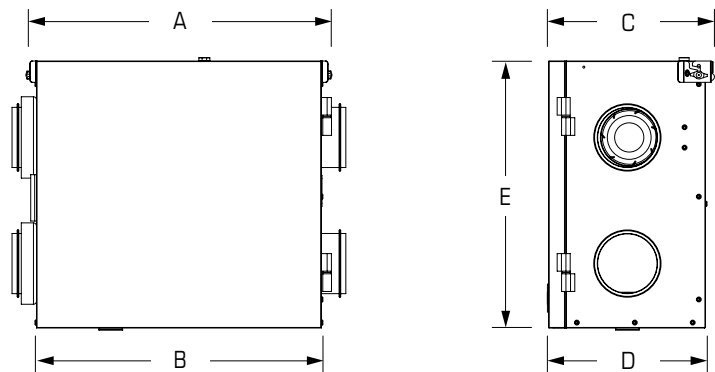
Energy performance

Heating	Supply temperature	Net airflow	Consumed power	Sensible recovery efficiency	Apparent sensible effectiveness	Latent recovery/moisture transfer
	°F	cfm	W	%	%	-
	32	55	36	57	67	-
	32	67	40	55	63	-
	32	84	40	54	60	-
	-13	74	35	53	66	-

Specification data

Model	Duct size	Voltage / Phase	Rated power	Max amps	Average air-flow @ 0.4" P _s	Connection	Defrost cycle	Shipping weight	Item #	Class 1 or 2	List price
	inch	V / ~	W	A	cfm			lbs			USD
SH 704	4	120 / 1	48	0.4	56	Side	Fan shutdown	29	40356	1	748.00

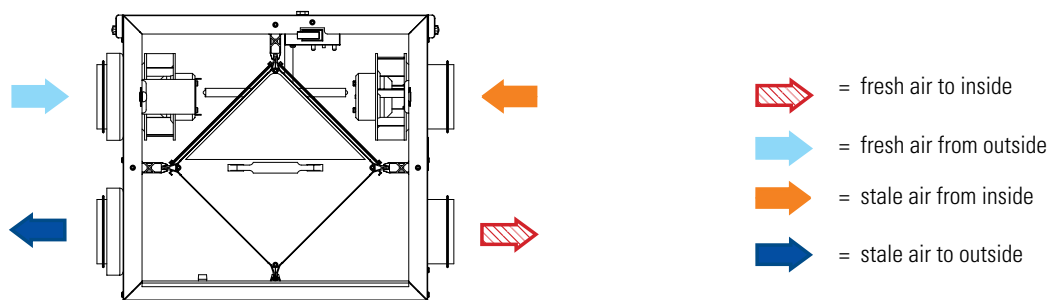
Dimensions



Model	A	B	C	D	E
SH 704	21 ⁵ / ₈	18 ¹ / ₂	10 ¹¹ / ₁₆	10 ³ / ₁₆	17 ¹ / ₄

Dimensional information is in inches. Clearance of 12" in front of the unit is recommended for removal of core.

Operation diagram



Specifications

- Model: SH 704
- Total assembled weight: 24 lbs
- Cabinet: 24 ga. steel w/powder coat finish
- Motors: backward curved blades
- Supply & Exhaust ducts: 4"
- Mounting: a wall bracket included
- Insulated with 1" aluminum foil-face high density polystyrene foam to prevent condensation and meet the requirements of the UL 94HF.
- Core: Aluminum, 8.5" x 8.5" x 8"
- Filters: 2 washable filters, 8.5" x 8" x 0.125"

Accessories



FTD 7
7 Day Timer
page 243



FEL
Elbow
page 244



MGS
Supply Grille
page 240



MGE
Exhaust Grille
page 241



COM
Plastic Hood
page 244



FIDT
Insulated Flex Duct
page 246

SHR 1504

Heat Recovery Ventilator



Fantech's side port connection HRV for budget conscious house projects, the SHR 1504 unit brings a continuous supply of fresh air into a home while exhausting an equal amount of contaminated air. During winter, fresh incoming air is tempered by the heat that is transferred from the outgoing air so you save on energy costs, while during summer, the incoming air is pre-cooled if the house is equipped with an air cooling system. The SHR 1504 is equipped with an automatic defrost mechanism so you can use your HRV all year long.

A preset defrost sequence is activated at an outdoor air temperature of 23°F and lower. During the defrost sequence, the supply blower shuts down & the exhaust blower switches into high speed to maximize the effectiveness of the defrost strategy. The unit then returns to normal operation, and continues cycle.



- Airflow up to 149 cfm @ 0.4" P_s serves 3-5 bedroom homes
- Three speed ventilation control
- External dry contacts for quick connection of remote controls
- Compatible with Fantech's low-voltage controls
- Easy access service door

Maximum continuous airflow

cfm \ in.wg	0.1" P _s	0.2" P _s	0.3" P _s	0.4" P _s	0.5" P _s	0.6" P _s	0.7" P _s	0.8" P _s	0.9" P _s	1.0" P _s	1.1" P _s	1.2" P _s
Net supply air flow	181	170	159	149	138	128	116	104	91	77	63	49
Gross supply air flow	184	174	162	151	141	130	119	106	92	79	64	50
Gross exhaust airflow	180	169	159	146	136	125	114	100	87	75	61	46

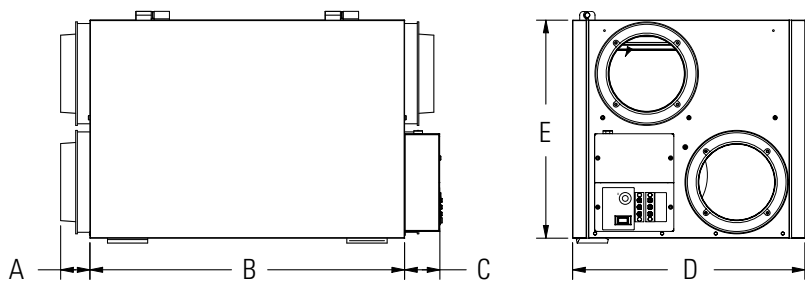
Energy performance

Heating	Supply temperature	Net airflow	Consumed power	Sensible recovery efficiency	Apparent sensible effectiveness	Latent recovery/moisture transfer
	°F	cfm	W	%	%	-
	32	67	72	60	73	-0.11
	32	109	98	59	70	0.00
	32	161	144	55	63	0.00
	-13	68	73	56	77	-0.02

Specification data

Model	Duct size	Voltage / phase	Rated power	Max amps	Average air-flow @ 0.4" P _s	Connection	Defrost cycle	Shipping weight	Item #	Class 1 or 2	List price
	inch	V / ~	W	A	cfm			lbs			USD
SHR 1504	6	120 / 1	180	1.3	149	Side	Fan shutdown	52	40072	1	953.00

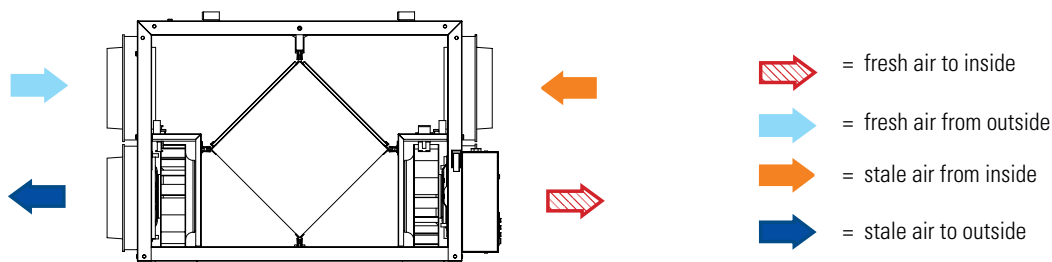
Dimensions



Model	A	B	C	D	E
SHR 1504	2 1/4	23 1/2	2 5/8	17 3/8	16 1/8

Dimensional information is in inches. Clearance of 12" in front of the unit is recommended for removal of core.

Operation diagram



Specifications

- Model: SHR 1504
- Total assembled weight: 45 lbs
- Cabinet: 24 ga. steel w/powder coat finish
- Motors: backward curved blades
- Supply & Exhaust ducts: 6"
- Mounting: ceiling suspended kit included
- Insulated with 1" aluminum foil-face high density polystyrene foam to prevent condensation and meet the requirements of the UL 94HF.
- Core: Aluminum, 9" x 9" x 15"
- Filters: 2 washable filters, 8.5" x 15" x 0.125"

Accessories



SHR 1505R

Heat Recovery Ventilator



Fantech's side port connection HRV for house projects, demanding a higher efficiency at very cold temperatures, the SHR 1505R unit brings a continuous supply of fresh air into a home while exhausting an equal amount of contaminated air. During winter, fresh incoming air is tempered by the heat that is transferred from the outgoing air so you save on energy costs, while during summer, the incoming air is pre-cooled if the house is equipped with an air cooling system. The SHR 1505R is equipped with a recirculation defrost mechanism so you can use your HRV all year long.

During the defrost sequence, a motorized damper temporarily blocks the incoming fresh air stream so that the warm air from the house can circulate through the HRV. The exhaust blower shuts down and the supply blower switches into high speed to maximize the effectiveness of the defrost strategy. During this cycle, household odors from the kitchen or bathroom are prevented from entering the home and the unit will not create negative pressure.



- Airflow up to 152 cfm @ 0.4" P_s serves 3-5 bedroom homes
- Three speed ventilation control
- External dry contacts for quick connection of remote controls
- Compatible with Fantech's low-voltage controls

Maximum continuous airflow

cfm \ in.wg	0.1" P _s	0.2" P _s	0.3" P _s	0.4" P _s	0.5" P _s	0.6" P _s	0.7" P _s	0.8" P _s	0.9" P _s	1.0" P _s
Net supply air flow	180	174	164	152	137	121	107	97	87	85
Gross supply air flow	182	178	168	156	139	125	109	97	89	85
Gross exhaust airflow	188	178	168	158	146	133	121	109	95	83

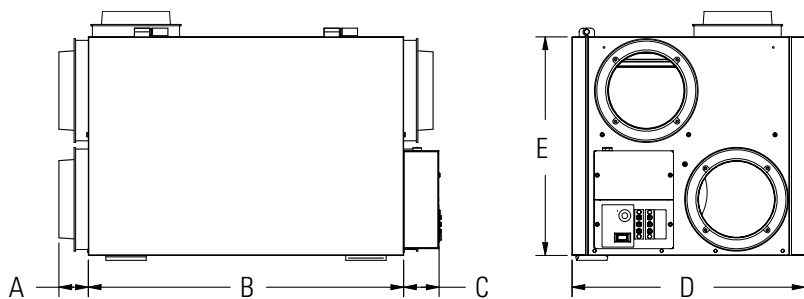
Energy performance

Heating	Supply temperature	Net airflow	Consumed power	Sensible recovery efficiency	Apparent sensible effectiveness	Latent recovery/moisture transfer
	°F	cfm	W	%	%	-
	32	85	70	60	76	-0.02
	32	101	94	62	71	-0.02
	32	159	140	60	68	-0.01
	-13	85	93	63	76	-0.00

Specification data

Model	Duct size	Voltage / phase	Rated power	Max amps	Average air-flow @ 0.4" P _s	Connection	Defrost cycle	Shipping weight	Item #	Class 1 or 2	List price
	inch	V / ~	W	A	cfm			lbs			USD
SHR 1505R	6	120 / 1	228	1.4	152	Side	Recirculation	52	40071	1	1,147.00

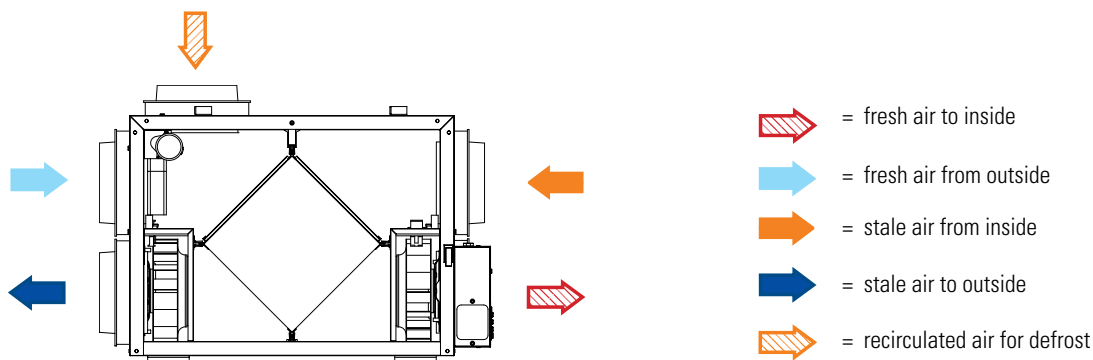
Dimensions



Model	A	B	C	D	E
SHR 1505R	2 1/4	23 1/2	2 5/8	17 3/8	17 3/8

Dimensional information is in inches. Clearance of 12" in front of the unit is recommended for removal of core.

Operation diagram



Specifications

- Model: SHR 1505R
- Total assembled weight: 45 lbs
- Cabinet: 24 ga. steel w/powder coat finish
- Motors: backward curved blades
- Supply & Exhaust ducts: 6"
- Mounting: ceiling suspended kit included
- Insulated with 1" aluminum foil-face high density polystyrene foam to prevent condensation and meet the requirements of the UL 94HF.
- Core: Aluminum, 9" x 9" x 15"
- Filters: 2 washable filters, 8.5" x 15" x 0.125"

Accessories



Eco-Touch™
Wall Control
page 243



EDF 1
Electronic Control
page 243



RTS 2
Electronic Timer
page 243



EDF 7
Electronic Dehumidistat
page 244



MGS
Supply Grille
page 240



MGE
Exhaust Grille
page 241



COM
Plastic Hood
page 244



FIDT
Insulated Flex Duct
page 246

SHR 2004

Heat Recovery Ventilator



Fantech's larger residential, full-featured HRV for budget conscious large house projects, the SHR 2004 is designed for higher static pressure and higher airflow applications. The unit brings a continuous supply of fresh air into a home while exhausting an equal amount of contaminated air. During winter, fresh incoming air is tempered by the heat that is transferred from the outgoing air so you save on energy costs, while during summer, the incoming air is pre-cooled if the house is equipped with an air cooling system. The SHR 2004 is equipped with an automatic defrost mechanism so you can use your HRV all year long.

A preset defrost sequence is activated at an outdoor air temperature of 23°F and lower. During the defrost sequence, the supply blower shuts down & the exhaust blower switches into high speed to maximize the effectiveness of the defrost strategy. The unit then returns to normal operation, and continues cycle.



- Airflow up to 201 cfm @ 0.4" P_s serves 7 bedroom homes
- Three speed ventilation control
- External dry contacts for quick connection of remote controls
- Compatible with Fantech's low-voltage controls
- Washable electrostatic filters

Maximum continuous airflow

cfm \ in.wg	0.1" P _s	0.2" P _s	0.3" P _s	0.4" P _s	0.5" P _s	0.6" P _s	0.7" P _s	0.8" P _s	0.9" P _s	1.0" P _s	1.1" P _s	1.2" P _s	1.3" P _s	1.4" P _s	1.5" P _s
Net supply air flow	243	230	218	201	182	166	151	137	125	112	98	88	78	66	55
Gross supply air flow	246	233	221	204	185	168	154	139	127	113	99	90	79	67	56
Gross exhaust airflow	254	244	225	215	199	184	168	151	136	118	108	93	83	75	63

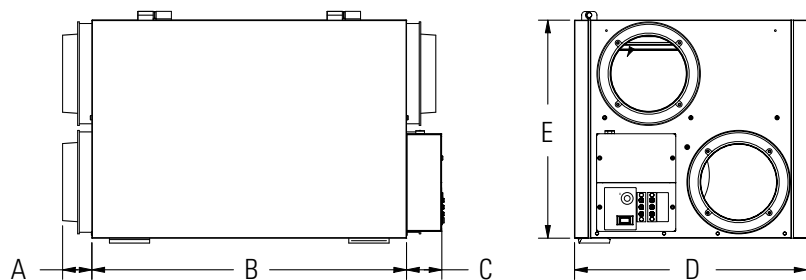
Energy performance

Heating	Supply temperature	Net airflow	Consumed power	Sensible recovery efficiency	Apparent sensible effectiveness	Latent recovery/moisture transfer
	°F	cfm	W	%	%	-
	32	65	108	62	77	0.06
	32	117	154	62	74	0.07
	32	191	246	60	71	0.00
	-13	129	154	59	79	0.00

Specification data

Model	Duct size	Voltage / phase	Rated power	Max amps	Average air-flow @ 0.4" P _s	Connection	Defrost cycle	Shipping weight	Item #	Class 1 or 2	List price
	inch	V / ~	W	A	cfm			lbs			USD
SHR 2004	6	120 / 1	228	2.1	201	Side	Recirculation	61	40077	1	1,165.00

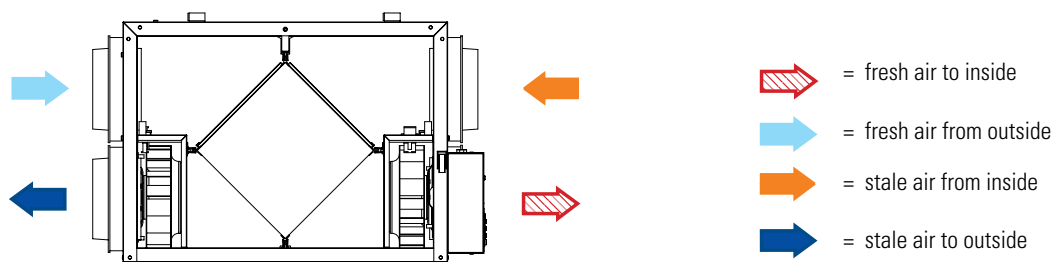
Dimensions



Model	A	B	C	D	E
SHR 2004	2 1/4	27 7/8	2 5/8	17 3/8	20 1/2

Dimensional information is in inches. Clearance of 12" in front of the unit is recommended for removal of core.

Operation diagram



Specifications

- Model: SHR 2004
- Total assembled weight: 61 lbs
- Cabinet: 24 ga. steel w/powder coat finish
- Motors: backward curved blades
- Supply & Exhaust ducts: 6"
- Mounting: ceiling suspended kit included
- Insulated with 1" aluminum foil-face high density polystyrene foam to prevent condensation and meet the requirements of the UL 94HF.
- Core: Aluminum, 12" x 12" x 15"
- Filters: 2 washable filters, 11.75" x 15" x 0.125"

Accessories



SHR 2005R

Heat Recovery Ventilator



Fantech's largest residential, full-featured HRV for large house projects that demand higher efficiency, the SHR2005R is designed for higher static pressure and higher airflow applications. The unit brings a continuous supply of fresh air into a home while exhausting an equal amount of contaminated air. During winter, fresh incoming air is tempered by the heat that is transferred from the outgoing air so you save on energy costs, while during summer, the incoming air is pre-cooled if the house is equipped with an air cooling system. The SHR 2005R is equipped with a recirculation defrost mechanism so you can use your HRV all year long.

During the defrost sequence, a motorized damper temporarily blocks the incoming fresh air stream so that the warm air from the house can circulate through the HRV. The exhaust blower shuts down and the supply blower switches into high speed to maximize the effectiveness of the defrost strategy. During this cycle, household odors from the kitchen or bathroom are prevented from entering the home and the unit will not create negative pressure.



- Airflow up to 201 cfm @ 0.4" P_s serves 7 bedroom homes
- Three speed ventilation control
- External dry contacts for quick connection of remote controls

Maximum continuous airflow

cfm \ in.wg	0.1" P _s	0.2" P _s	0.3" P _s	0.4" P _s	0.5" P _s	0.6" P _s	0.7" P _s	0.8" P _s	0.9" P _s	1.0" P _s	1.1" P _s	1.2" P _s	1.3" P _s	1.4" P _s	1.5" P _s
Net supply air flow	243	230	218	201	182	166	151	137	125	112	98	88	78	66	55
Gross supply air flow	246	233	221	204	185	168	154	139	127	113	99	90	79	67	56
Gross exhaust airflow	254	244	225	215	199	184	168	151	136	118	108	93	83	75	63

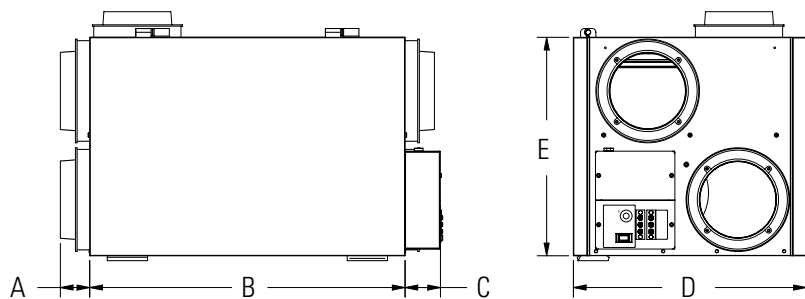
Energy performance

Heating	Supply temperature	Net airflow	Consumed power	Sensible recovery efficiency	Apparent sensible effectiveness	Latent recovery/moisture transfer
	°F	cfm	W	%	%	-
	32	65	108	62	77	0.06
	32	117	154	62	74	0.07
	32	191	246	60	71	0.00
	-13	126	141	64	81	0.01

Specification data

Model	Duct size	Voltage / phase	Rated power	Max amps	Average air-flow @ 0.4" P _s	Connection	Defrost cycle	Shipping weight	Item #	Class 1 or 2	List price
	inch	V / ~	W	A	cfm			lbs			USD
SHR 2005R	6	120 / 1	336	2.1	201	Side	Recirculation	66	40076	1	1,357.00

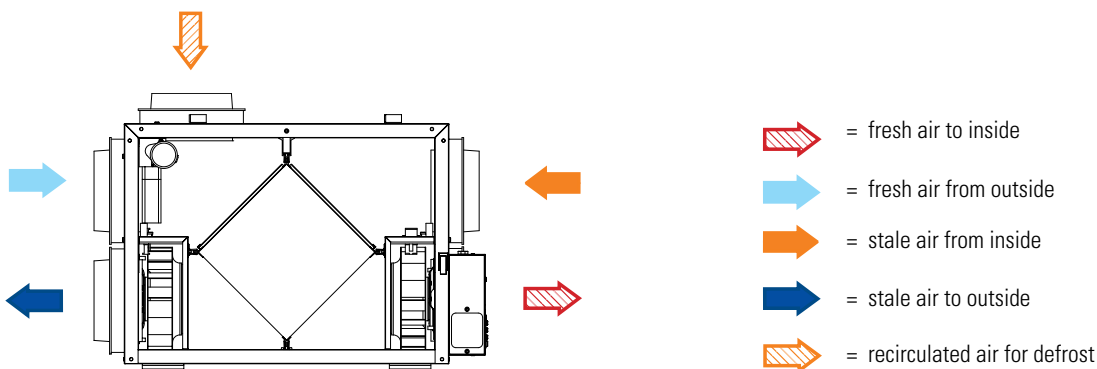
Dimensions



Model	A	B	C	D	E
SHR 2005R	2 1/4	27 7/8	2 5/8	17 3/8	20 1/2

Dimensional information is in inches. Clearance of 12" in front of the unit is recommended for removal of core.

Operation diagram



Specifications

- Model: SHR 2005R
- Total assembled weight: 62 lbs
- Cabinet: 24 ga. steel w/powder coat finish
- Motors: backward curved blades
- Supply & Exhaust ducts: 6"
- Mounting: ceiling suspended kit included
- Insulated with 1" aluminum foil-face high density polystyrene foam to prevent condensation and meet the requirements of the UL 94HF.
- Core: Aluminum, 12" x 12" x 15"
- Filters: 2 washable filters, 11.75" x 15" x 0.125"

Accessories



Eco-Touch™
Wall Control
page 243



EDF 1
Electronic Control
page 243



RTS 2
Electronic Timer
page 243



EDF 7
Electronic Dehumidistat
page 244



MGS
Supply Grille
page 240



MGE
Exhaust Grille
page 241



COM
Plastic Hood
page 244



FIDT
Insulated Flex Duct
page 246

SHR 3005R

Heat Recovery Ventilator



The SHR 3005R's double core configuration provides the greater thermal efficiency needed for homes being built to a higher energy standard. The incoming air passes through a first, then a second heat exchanger to provide maximum heat recovery. During winter, fresh incoming air is tempered by the heat that is transferred from the outgoing air so you save on energy costs, while during summer, the incoming air is pre-cooled if the house is equipped with an air cooling system.

During the defrost sequence, a motorized damper temporarily blocks the incoming fresh air stream so that the warm air from the house can circulate through the HRV. The exhaust blower shuts down and the supply blower switches into high speed to maximize the effectiveness of the defrost strategy. During this cycle, household odors from the kitchen or bathroom are prevented from entering the home and the unit will not create negative pressure.



- Airflow up to 231 cfm @ 0.4" P_s serves 3-7 bedroom homes
- External dry contacts for quick connection of remote controls
- Easy access service door

Maximum continuous airflow

cfm \ in.wg	0.1" P _s	0.2" P _s	0.3" P _s	0.4" P _s	0.5" P _s	0.6" P _s	0.7" P _s	0.8" P _s	1.0" P _s	1.2" P _s	1.4" P _s
Net supply air flow	268	262	246	231	219	204	196	188	163	147	118
Gross supply air flow	277	270	253	238	226	211	202	194	168	151	121
Gross exhaust airflow	294	279	266	247	236	215	213	200	174	151	123

Energy performance

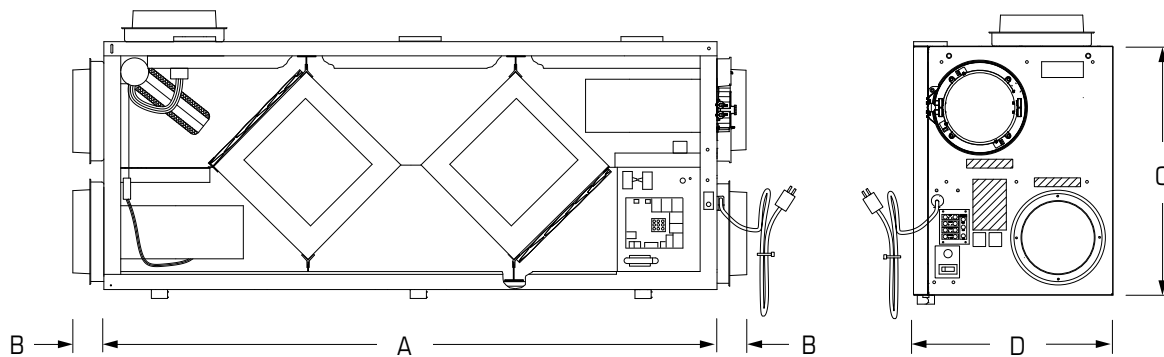
Heating	Supply temperature	Net airflow	Consumed power	Sensible recovery efficiency	Apparent sensible effectiveness	Latent recovery/moisture transfer
	°F	cfm	W	%	%	-
Heating	32	64	126	76	91	0.02
	32	117	212	78	92	0.01
	32	157	262	78	91	- 0.09
	-13	121	224	72	91	0.09
	-13	117	220	72	-	-
Cooling	95	115	206	-	18 (*)	-
	95	159	260	-	17 (*)	-

(*)- total recovery efficiency

Specification data

Model	Duct size	Voltage / phase	Rated power	Max amps	Average air-flow @ 0.4" P _s	Connection	Defrost cycle	Shipping weight	Item #	Class 1 or 2	List price
	inch	V / ~	W	A	cfm			lbs			USD
SHR 3005R	6	120 / 1	150	2.8	231	Side	Recirculation	125	40214	1	2,098.00

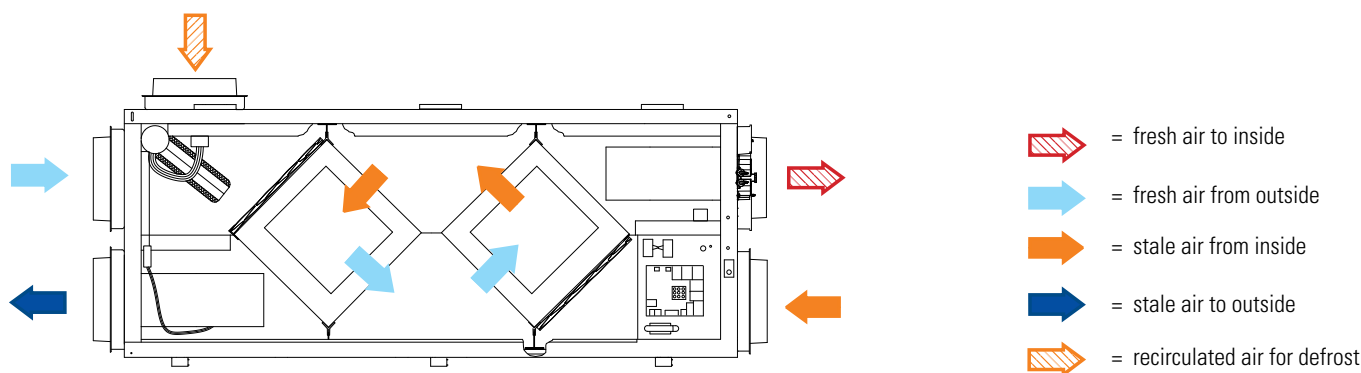
Dimensions



Model	A	B	C	D
SHR 3005R	50 ⁷ / ₈	2 ¹ / ₅	22 ¹ / ₅	17 ³ / ₈

Dimensional information is in inches. Clearance of 12" in front of the unit is recommended for removal of core. The unit accommodates two heat recovery cores. Electrical box is inside cabinet.

Operation diagram



Specifications

- Model: SHR 3005R
- Total assembled weight: 90 lbs
- Cabinet: 24 ga. steel w/powder coat finish
- Motors: backward curved blades
- Supply & Exhaust ducts: 6"
- Mounting: ceiling suspended kit included
- Insulated with 1" aluminum foil-face high density polystyrene foam to prevent condensation and meet the requirements of the UL 94HF.
- Core: 2 pcs, Aluminum, 12" x 12" x 15"
- Filters: 2 washable filters, 11.75" x 15" x 0.125"

Accessories



SHR 3205RD

Heat Recovery Ventilator



Suitable for very large residential or small commercial applications, the compact SHR 3205RD comes with access panels on both sides of the unit for installation versatility. The unit is designed for higher static pressure and higher airflow applications. The unit brings a continuous supply of fresh air into a home while exhausting an equal amount of contaminated air. During winter, fresh incoming air is tempered by the heat that is transferred from the outgoing air so you save on energy costs, while during summer, the incoming air is pre-cooled if the house is equipped with an air cooling system.



During the defrost sequence, a motorized damper temporarily blocks the incoming fresh air stream so that the warm air from the house can circulate through the HRV. The exhaust blower shuts down and the supply blower switches into high speed to maximize the effectiveness of the defrost strategy. During this cycle, household odors from the kitchen or bathroom are prevented from entering the home and the unit will not create negative pressure.

- Airflow up to 267 cfm @ 0.4" P_s serves up 7 bedroom homes
- Doors on 2 sides of the cabinet for access to the core
- External dry contacts for quick connection of remote controls

Maximum continuous airflow

cfm \ in.wg	0.3" P _s	0.4" P _s	0.5" P _s	0.6" P _s	0.7" P _s	0.8" P _s	0.9" P _s	1.0" P _s	1.1" P _s	1.2" P _s	1.3" P _s	1.4" P _s
Net supply air flow	297	267	243	222	195	171	147	124	101	81	63	44
Gross supply air flow	306	275	250	229	201	176	151	128	103	84	65	46
Gross exhaust air flow	326	299	266	244	219	190	169	150	117	96	66	39

Energy performance

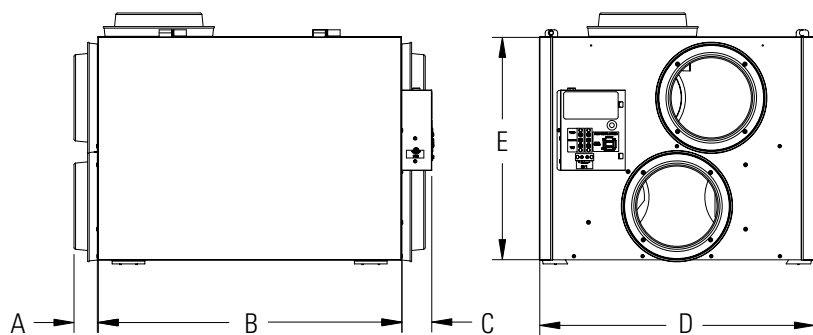
Heating	Supply temperature	Net airflow	Consumed power	Sensible recovery efficiency	Apparent sensible effectiveness	Latent recovery/moisture transfer
	°F	cfm	W	%	%	-
Heating	32	118	136	66	77	0.02
	32	162	182	66	76	0.02
	32	248	272	64	74	0.03
	-13	123	168	67	79	0.05

(*) - total recovery efficiency

Specification data

Model	Duct size	Voltage / phase	Rated power	Max amps	Average air-flow @ 0.4" P _s	Connection	Defrost cycle	Shipping weight	Item #	Class 1 or 2	List price
	inch	V / ~	W	A	cfm			lbs			USD
SHR 3205RD	8	120 / 1	300	2.5	267	Side	Recirculation	103	40225	1	1,771.00

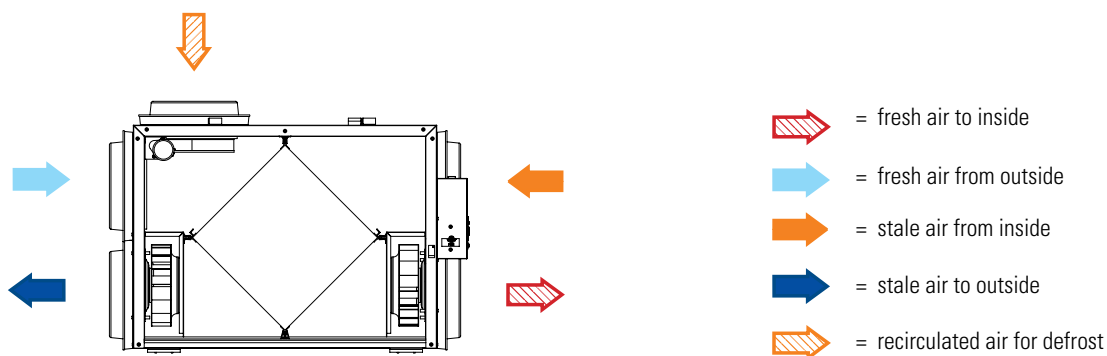
Dimensions



Model	A	B	C	D	E
SHR 3205RD	2 1/4	27 7/8	2 3/4	25 1/8	20 1/2

Dimensional information is in inches. Clearance of 12" in front of the unit is recommended for removal of core.

Operation diagram



Specifications

- Model: SHR 3205RD
- Total assembled weight: 80 lbs
- Cabinet: 22 ga. steel w/powder coat finish
- Motors: backward curved blades
- Supply & Exhaust ducts: 8"
- Mounting: ceiling suspended kit included
- Insulated with 1" aluminum foil-face high density polystyrene foam to prevent condensation and meet the requirements of the UL 94HF.
- Core: 2 pcs, Aluminum, 12" x 12" x 15"
- Filters: 4 washable filters, 11.5" x 11.4" x 0.125"

Accessories

							
Eco-Touch™ Wall Control page 243	EDF 1R Electronic Control page 243	RTS 2 Electronic Timer page 243	MDEH Dehumidistat page 244	MGS Supply Grille page 240	MGE Exhaust Grille page 241	COM Plastic Hood page 244	FIDT Insulated Flex Duct page 246

SE 704N

Energy Recovery Ventilator

Fantech's smallest and most compact side duct connection ERV, the SE 704N unit brings a continuous supply of fresh air into a home while exhausting an equal amount of contaminated air. The enthalpic core at the center of the unit transfers heat and moisture from the incoming air to the outgoing that was cooled and dried by the building's air conditioner.

When it is warm and humid outside and the indoors are cooled and dehumidified already, the ERV pre-cools the fresh incoming air and transfers a portion of the incoming humidity into the exhaust air, reducing the ventilation load. Reducing the load on the home's air conditioner, saves on cooling costs. This unit is designed for warmer, humid climates with longer cooling seasons.

A core, filters and motors can be easily accessed through the latched door. The core conveniently slides out on easy glide core guides. Ten inches of clearance is recommended for removal of core.



- Airflow up to 56 cfm @ 0.4" P_s serves 1-2 bedroom homes
- Enthalpy core
- Unit can be installed in any position
- No defrost or drain pan needed
- No balancing required

Maximum continuous airflow

cfm	in.wg	0.2" P _s	0.3" P _s	0.4" P _s	0.5" P _s	0.6" P _s
Net supply air flow		78	67	56	42	-

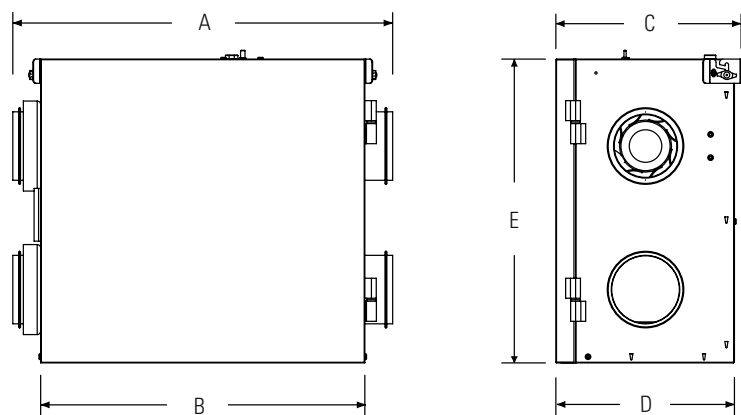
Energy performance

Heating	Supply temperature	Net airflow	Consumed power	Sensible recovery efficiency	Apparent sensible effectiveness	Latent recovery efficiency	Total recovery efficiency
	°F	cfm	W	%	%	%	%
Heating	32	68	40	30	75	39	42
Cooling	95	74	40	33	68	39	58
	95	64	40	39	68	42	39

Specification data

Model	Duct size	Voltage / phase	Rated power	Max amps	Average air-flow @ 0.4" P _s	Connection	Defrost cycle	Shipping weight	Item #	Class 1 or 2	List price
	inch	V / ~	W	A	cfm			lbs			USD
SE704N	4	120 / 1	47	0.4	56	Side	None	25	40357	1	712.00

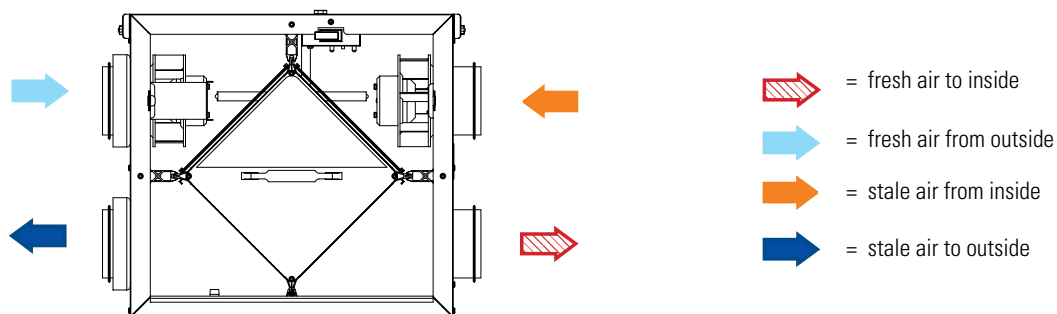
Dimensions



Model	A	B	C	D	E
SE 704N	19 ³ / ₄	18 ¹ / ₂	10 ³ / ₈	10 ¹ / ₂	17 ¹ / ₂

Dimensional information is in inches. Clearance of 12" in front of the unit is recommended for removal of core.

Operation diagram



Specifications

- Model: SE 704N
- Total assembled weight: 24 lbs
- Cabinet: 24 ga. steel w/powder coat finish
- Motors: backward curved blades
- Supply & Exhaust ducts: 4" round
- Mounting: a wall bracket included
- Insulated with 1" aluminum foil-face high density polystyrene foam to prevent condensation and meet the requirements of the UL 94HF.
- Core: Enthalpy, 8.5" x 8.5" x 8"
- Filters: 2 washable filters, 8.5" x 8" x 0.125"

Accessories



FTD 7
7 Day Timer
page 243



FEL
Elbow
page 244



MGS
Supply Grille
page 240



MGE
Exhaust Grille
page 241



COM
Plastic Hood
page 244



FIDT
Insulated Flex Duct
page 246

SER 1504

Energy Recovery Ventilator

Fantech's side port connections ERV house projects, the SER 1504 unit brings a continuous supply of fresh air into a home while exhausting an equal amount of contaminated air. The enthalpic core at the center of the unit transfers heat and moisture from the incoming air to the outgoing that was cooled and dried by the building's air conditioner.

When it is warm and humid outside and the indoors are cooled and dehumidified already, the ERV pre-cools the fresh incoming air and transfers a portion of the incoming humidity into the exhaust air, reducing the ventilation load. Reducing the load on the homes air conditioner, saves on cooling costs. This unit is designed for warmer, humid climates with longer cooling seasons.

The unit has a built-in defrost mechanism that activates at 23°F in order to prevent the energy transfer core from freezing.



- Airflow up to 134 cfm @ 0.4" P_s serves 3-5 bedroom homes
- Enthalpy core

Maximum continuous airflow

cfm \ in.wg	0.1" P _s	0.2" P _s	0.3" P _s	0.4" P _s	0.5" P _s	0.6" P _s	0.7" P _s	0.8" P _s	0.9" P _s	1.0" P _s
Net supply air flow	162	152	143	134	127	121	115	108	98	89
Gross supply/exhaust air flow	162	152	143	134	127	121	115	108	98	89

Energy performance

Heating	Supply temperature	Net airflow	Consumed power	Sensible recovery efficiency	Apparent sensible effectiveness	Net recovery/moisture transfer
	°F	cfm	W	%	%	%
Heating	32	64	67	70	82	58
	32	83	91	66	79	56
	32	117	139	61	74	55
Cooling	95	64	66		58 ¹	
	95	117	143		50 ¹	

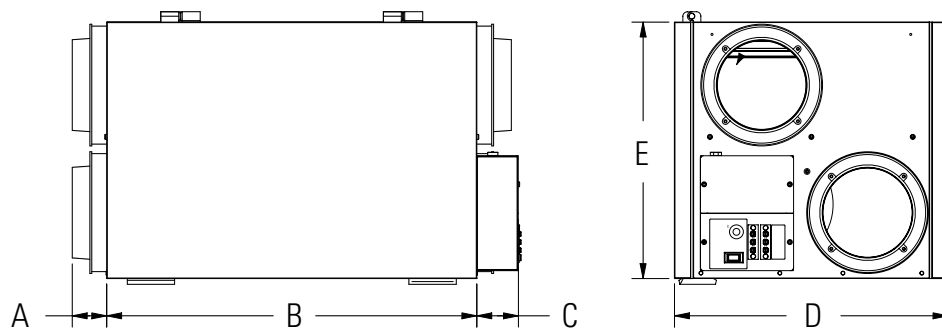
¹ Total recovery efficiency

Specification data

Model	Duct size	Voltage / phase	Rated power	Max amps	Average air-flow @ 0.4" P _s	Connection	Defrost cycle	Shipping weight	Item #	Class 1 or 2	List price
	inch	V / ~	W	A	cfm			lbs			USD
SER 1504	6	120 / 1	150 ²	1.3	134	Side	Fan shutdown	49	40085	1	1,100.00

² High speed

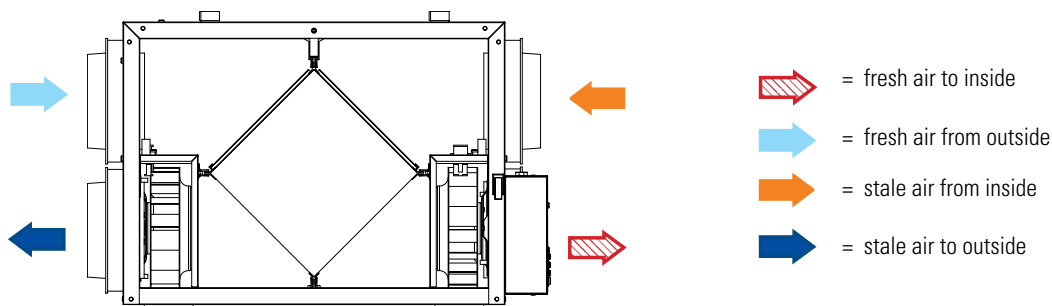
Dimensions



Model	A	B	C	D	E
SER 1504	2 1/4	23 1/2	25 5/8	17 3/8	16 1/8

Dimensional information is in inches. Clearance of 12" in front of the unit is recommended for removal of core.

Operation diagram



Specifications

- Model: SER 1504
- Total assembled weight: 40 lbs
- Cabinet: 24 ga. steel w/powder coat finish
- Motors: backward curved blades
- Supply & Exhaust ducts: 6"
- Mounting: ceiling suspended kit included
- Insulated with 1" aluminum foil-face high density polystyrene foam to prevent condensation and meet the requirements of the UL 94HF.
- Core: Semi-permeable energy recovery, 9" x 9" x 15"
- Filters: 2 washable filters, 8.5" x 15" x 0.125"

Accessories



Eco-Touch™
Wall Control
page 243



EDF 1
Electronic Control
page 243



RTS 2
Electronic Timer
page 243



EDF 7
Electronic Dehumidistat
page 244



MGS
Supply Grille
page 240



MGE
Exhaust Grille
page 241



COM
Plastic Hood
page 244



FIDT
Insulated Flex Duct
page 246

SER 2004

Energy Recovery Ventilator

Fantech's larger residential, full-featured ERV for large house projects, the SER2004 is designed for higher static pressure and higher airflow applications. The SER 2004 unit brings a continuous supply of fresh air into a home while exhausting an equal amount of contaminated air. The enthalpic core at the center of the unit transfers heat and moisture from the incoming air to the outgoing that was cooled and dried by the building's air conditioner.

When it is warm and humid outside and the indoors are cooled and dehumidified already, the ERV pre-cools the fresh incoming air and transfers a portion of the incoming humidity into the exhaust air, reducing the ventilation load. Reducing the load on the homes air conditioner, saves on cooling costs. This unit is designed for warmer, humid climates with longer cooling seasons.

The unit has a built-in defrost mechanism that activates at 23°F in order to prevent the energy transfer core from freezing.



- Airflow up to 155 cfm @ 0.4" P_s serves 7 bedroom homes
- Enthalpy core

Maximum continuous airflow

cfm \ in.wg	0.1" P _s	0.2" P _s	0.3" P _s	0.4" P _s	0.5" P _s	0.6" P _s	0.7" P _s	0.8" P _s	0.9" P _s	1.0" P _s
Net supply air flow	186	176	166	155	145	134	123	112	101	90
Gross supply/exhaust air flow	186	176	166	155	145	134	123	112	101	90

Energy performance

Heating	Supply temperature	Net airflow	Consumed power	Sensible recovery efficiency	Apparent sensible effectiveness	Net recovery/moisture transfer
	°F	cfm	W	%	%	%
Heating	32	64	62	81	92	78
	32	117	128	74	86	76
	32	161	194	70	84	71
Cooling	95	64	57		66 ¹	
	95	117	130		60 ¹	

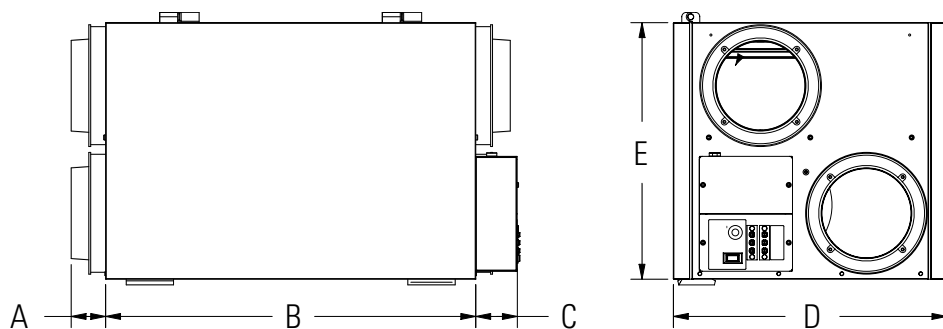
¹ Total recovery efficiency

Specification data

Model	Duct size	Voltage / phase	Rated power	Max amps	Average air-flow @ 0.4" P _s	Connection	Defrost cycle	Shipping weight	Item #	Class 1 or 2	List price
	inch	V / ~	W	A	cfm			lbs			USD
SER 2004	6	120 / 1	150 ²	1.9	228	Side	Automatic	66	40086	1	1,477.00

² High speed

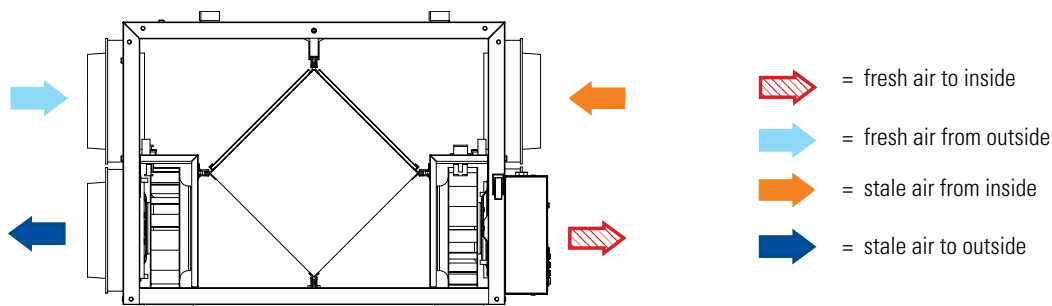
Dimensions



Model	A	B	C	D	E
SER 2004	2 1/4	27 7/8	2 5/8	17 3/8	20 1/2

Dimensional information is in inches. Clearance of 15" in front of the unit is recommended for removal of core.

Operation diagram



Specifications

- Model: SER 2004
- Total assembled weight: 44 lbs
- Cabinet: 22 ga. steel w/powder coat finish
- Motors: backward curved blades
- Supply & Exhaust ducts: 6"
- Mounting: ceiling suspended kit included
- Insulated with 1" aluminum foil-face high density polystyrene foam to prevent condensation and meet the requirements of the UL 94HF.
- Core: Semi-permeable energy recovery, 12" x 12" x 15"
- Filters: 2 washable filters, 11.75" x 15" x 0.125"

Accessories



Eco-Touch™
Wall Control
page 243



EDF 1
Electronic Control
page 243



RTS 2
Electronic Timer
page 243



EDF 7
Electronic Dehumidistat
page 244



MGS
Supply Grille
page 240



MGE
Exhaust Grille
page 241



COM
Plastic Hood
page 244



FIDT
Insulated Flex Duct
page 246

SER 3204D

Energy Recovery Ventilator

Suitable for very large residential or small commercial applications, the compact SER 3204D comes with access panels on both side of the unit for installation versatility. The unit brings a continuous supply of fresh air into a home while exhausting an equal amount of contaminated air. The enthalpic core at the center of the unit transfers heat and moisture from the incoming air to the outgoing that was cooled and dried by the building's air conditioner.

When it is warm and humid outside and the indoors are cooled and dehumidified already, the ERV pre-cools the fresh incoming air and transfers a portion of the incoming humidity into the exhaust air, reducing the ventilation load. Reducing the load on the homes air conditioner, saves on cooling costs. This unit is designed for warmer, humid climates with longer cooling seasons.

The unit has a built-in defrost mechanism that activates at 23°F in order to prevent the energy transfer core from freezing. They also include a condensate drain pan & spout.



- Airflow up to 231 cfm @ 0.4" P_s serves 7 bedrooms
- Enthalpy core

Maximum continuous airflow

cfm	in.wg	0.1" P _s	0.2" P _s	0.3" P _s	0.4" P _s	0.5" P _s	0.6" P _s	0.7" P _s	0.8" P _s	1.0" P _s	1.2" P _s	1.4" P _s
Net supply air flow		268	262	246	231	219	204	196	188	163	147	118
Gross supply air flow		277	270	253	238	226	211	202	194	168	151	121
Gross exhaust airflow		294	279	266	247	236	215	213	200	174	151	123

Energy performance

Heating	Supply temperature	Net airflow	Consumed power	Sensible recovery efficiency	Apparent sensible effectiveness	Net recovery/moisture transfer
	°F	cfm	W	%	%	%
Heating	32	64	126	76	91	78
	32	117	212	78	92	76
	32	157	262	78	91	71
Cooling	95	115	206		48 ¹	
	95	159	260		48 ¹	

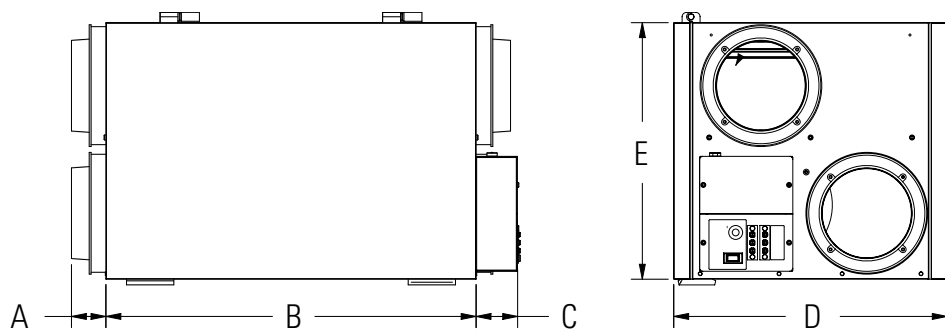
¹ Total recovery efficiency

Specification data

Model	Duct size	Voltage / phase	Rated power	Max amps	Average air-flow @ 0.4" P _s	Connection	Defrost cycle	Shipping weight	Item #	Class 1 or 2	List price
	inch	V / ~	W	A	cfm			lbs			USD
SER 3204D	8	120 / 1	300 ²	2.5	231	Side	Fan shutdown	80	40226	1	2,364.00

² High speed

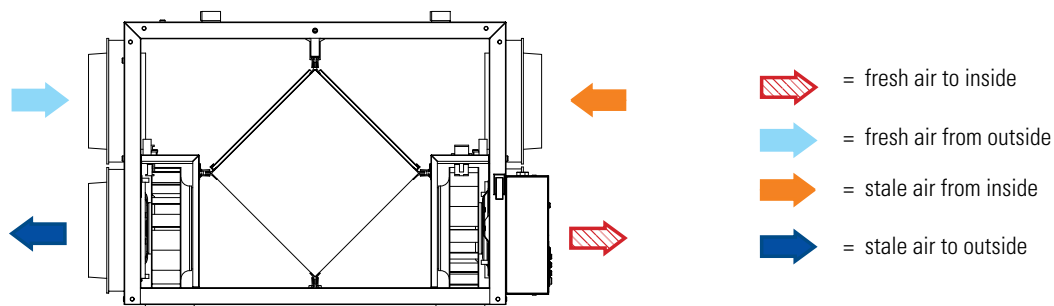
Dimensions



Model	A	B	C	D	E
SER 3204D	2 1/4	27 7/8	25 5/8	25 1/2	20 1/2

Dimensional information is in inches. Clearance of 12" in front of the unit is recommended for removal of core.

Operation diagram



Specifications

- Model: SER 3204D
- Total assembled weight: 80 lbs
- Cabinet: 22 ga. steel w/powder coat finish
- Motors: backward curved blades
- Supply & Exhaust ducts: 8"
- Mounting: hanging chains and hooks included
- Insulated with 1" aluminum foil-face high density polystyrene foam to prevent condensation and meet the requirements of the UL 94HF.
- Core: two enthalpy cores, 12" x 12" x 11.4"
- Filters: 4 washable filters, 11.75" x 15" x 0.125"

Accessories



Eco-Touch™
Wall Control
page 243



EDF 1
Electronic Control
page 243



EDF 7
Electronic Dehumidistat
page 244



MGE
Exhaust Grille
page 241



MGS
Supply Grille
page 240



FIDT
Insulated Flex Duct
page 246

1WHV Series

Whole House Ventilator



The Fantech WHV Series fans cool and ventilate the entire home by replacing hot, stale air from living areas with cooler outside air. The whole house ventilator does not cool the air but creates a gentle and comfortable airflow. It is especially beneficial in the evening when the outside air drops in temperature. Controlling the path of the airflow is as simple as opening or closing specific windows in areas, which you would like to ventilate.

Fantech WHV fans begin with an 18 Gauge, welded Venturi frame for a solid foundation. Attached to the frame is a 5 blade, Super-Duty propeller balanced and tuned for maximum efficiency. This distinct design feature allows for more airflow at lower revolutions, which makes our fan among the most efficient, quiet and reliable in the industry. As a compliment to the robust frame assembly, Fantech includes a 2-speed motor with built-in reset switch. The Fantech WHV Series is 100% assembled and tested in the USA.



All WHV models include wood plenum, ceiling mount shutter, 2 speed switch and a 12 hour timer with a hold option.

- 18 Gauge fully welded Venturi frame
- Large Radius inlet – increased efficiency
- Heavy gauge steel welded construction
- 1"x4" wood plenum, ready to install
- Vibration dampening gasketing
- California Energy Commission listed
- Super Duty Propeller
- 2-speed switch & a 12 hr timer with a hold option
- All models are 120V / 1~

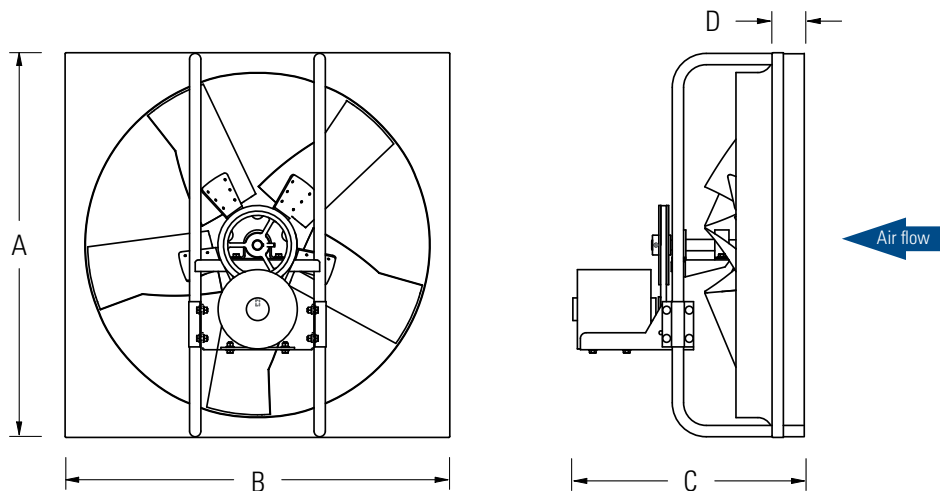
Specification data

Model	Motor power	Rated power	Full load	RPM	Speed	0.0" P _s	0.10" P _s	Sones @ 0.0" P _s	Sones @ 0.10" P _s	Cooling capability	Min. net attic exhaust area	Shipping weight	Item #	Class 1 or 2	List price
	HP	W	Amps	min ⁻¹		cfm				sq.ft.	sq.ft.	lbs			USD
1WHV 24	1/3	529	6.2	529	High	3700	2610	8.5	7.5	850	6	64	49928	1	669.00
	1/10	279	3.9	230	Low	1610	1150*	2	-						
1WHV 30	1/3	522	5.8	519	High	6510	5250	12.5	11.5	1,500	10	71	49929	1	742.00
	1/10	243	2.8	341	Low	4280	3460*	6.5	6.5						
1WHV 36	1/2	685	7.0	472	High	10820	9160	13.5	13	2,500	15	83	49930	1	987.00
	1/4	325	4.1	318	Low	7290	6200*	8	7.5						

Adequate opening for air intake and net attic exhaust area must be provided for proper fan operation. Performance ratings include the effects of a shutter in the airstream.

*Low speed performance is less than 0.1" based on system curve and Fan Laws.

Dimensions



Model	A / B	C _{max}	D	Propeller
1WHV 24	28	23	4	24
1WHV 30	34	24	4	30
1WHV 36	40	26	4	36

Dimensional information is in inches.

Included in the kit

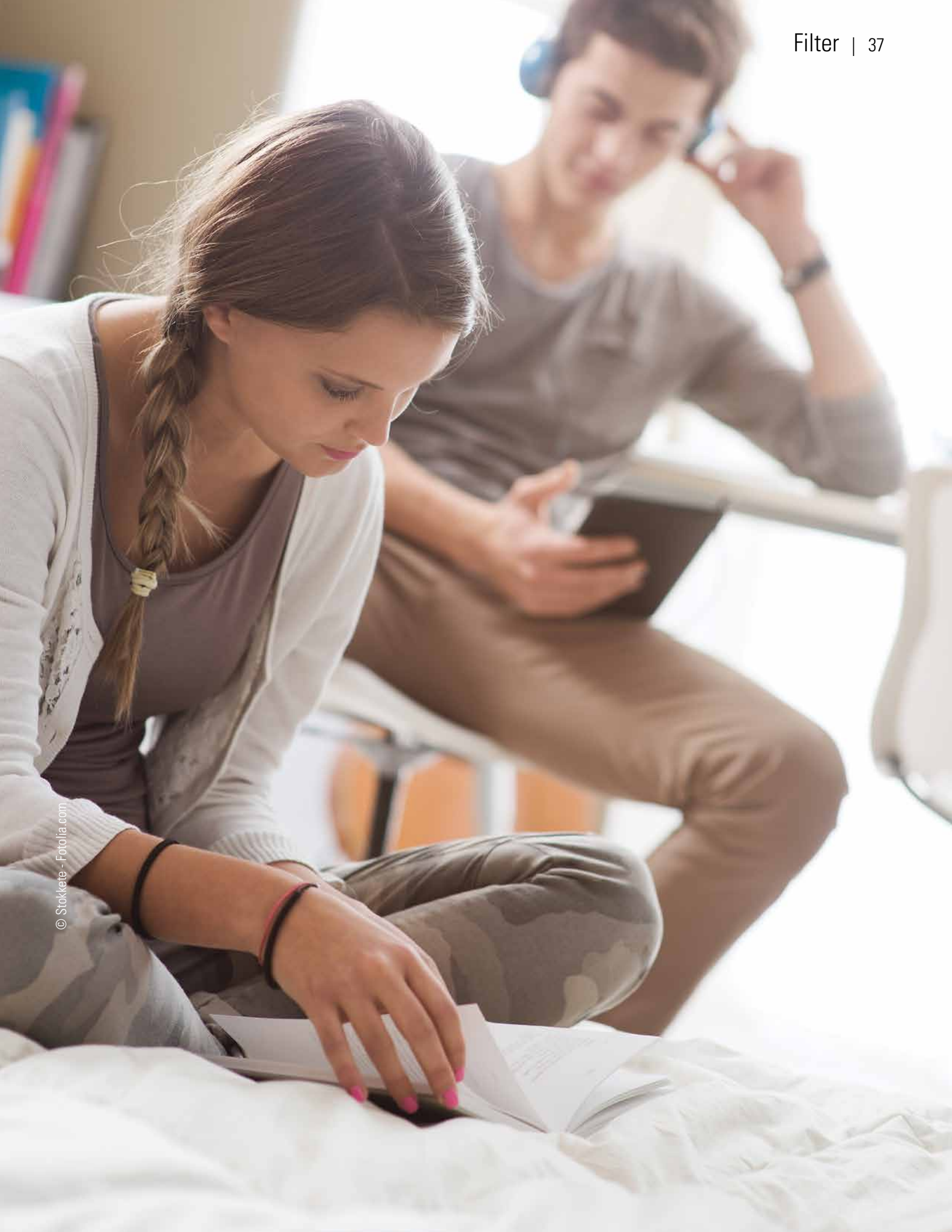


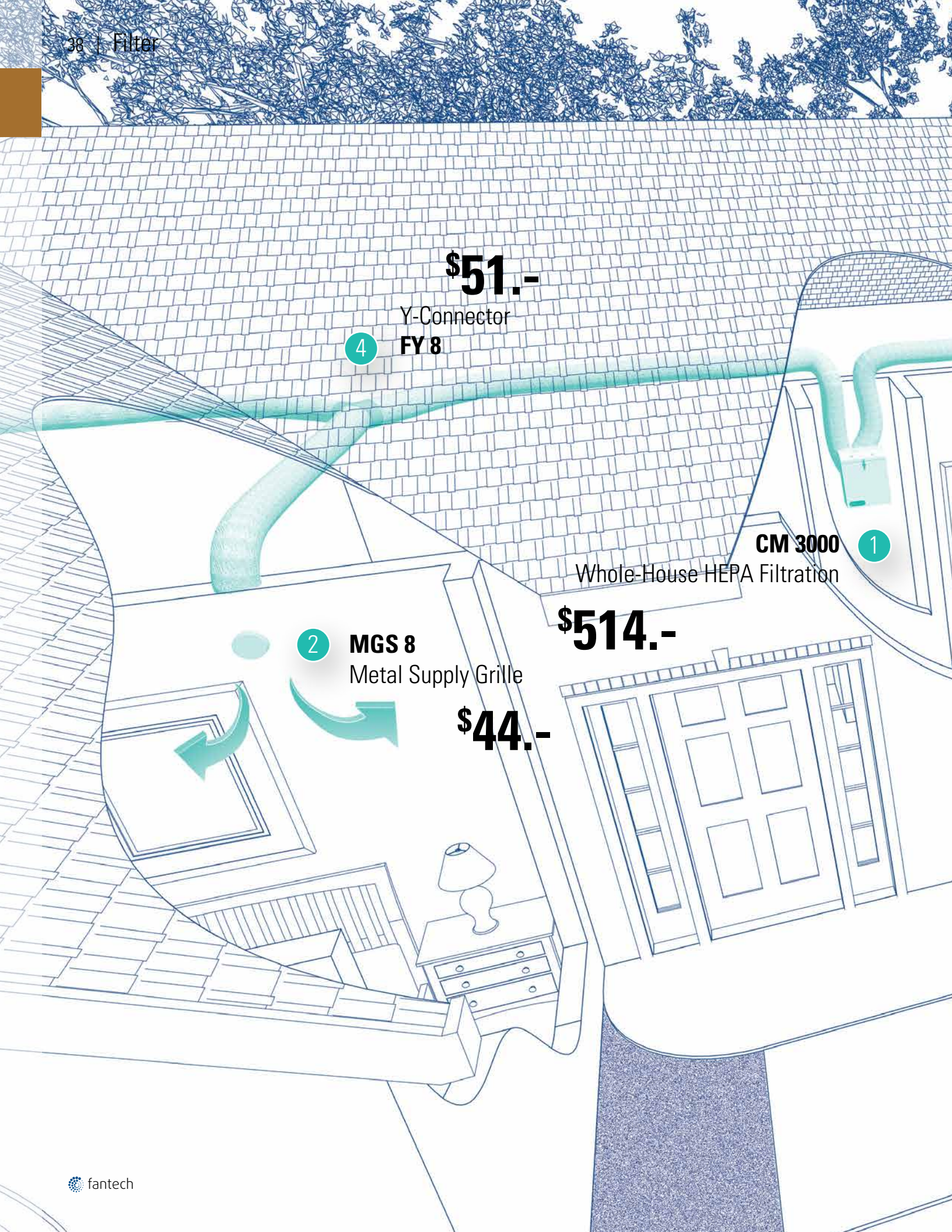
Ceiling Mount
Shutter
page 250



Two Speed
Switch

**The best ideas
tend to occur
when you're
breathing clean,
fresh air.**





\$51.-

Y-Connector
FY 8

4

CM 3000

Whole-House HEPA Filtration

1

\$514.-

2

MGS 8
Metal Supply Grille

\$44.-

Filtration

for single family homes

Many small to medium homes now use Mini Split AC/Heat Units rather than the traditional HVAC ducted systems that distribute the air/heat around the home. Mini Splits rely on indoor air currents for distribution, in tight homes this becomes a problem as the air/heat stays locally around the unit.

Enjoy the benefits of air distribution while using a Mini Split system, by installing a Fantech CM 3000 Whole House HEPA Filtration unit. The CM 3000 draws air from the space conditioned by a Mini Split and distributes it via a small duct system to other parts of the home, ensuring a supply of clean air. The CM3000 can be fitted with a MERV13 filter or the traditional high efficiency HEPA for really clean air.

The CM3000 can even be coupled with an HRV or ERV to deliver a supply of fresh outside air to the home. Found out more on page 8.

1. CM 3000 / \$514.- Whole-House HEPA Filtration

120V, 240 cfm @ 0.4" Ps, 150W
The unit is designed to filter air in an average 2,200 sq.ft. home once an hour. Includes 4 collars, 2 pcs of UL Listed 8" flex duct and hanging chains. See page 40.

2. MGS 8 / \$44.- Metal Supply Grille

Directional 180° distribution pattern and an adjustable gap grilles. Manufactured from sheet steel with a white powder-coated finish. See page 240.

3. MGE 8 / \$40.- Metal Exhaust Grille

The grille has a lockable central cone which is rotated to adjust the pressure and consequently the air volume. Manufactured from sheet steel with a white powder-coated finish. See page 241.

4. FY 8 / \$51.- Y-Connector

Manufactured from sheet steel. See page 247.

3 MGE 8 Metal Exhaust Grille

\$40.-

DM/CM Series

High Efficient Whole-House HEPA Filtration

Fantech provides an added solution for better indoor air quality with the Whole House HEPA filtration unit. This small, compact unit can be installed on the existing ductwork of your furnace/air handler or can be used as an independent system mounted in the attic, crawl space or closet.

It is designed to clean and filter the air in an average 2200 sq. ft. home once an hour. Larger homes will take slightly longer for a complete air change. Mold spores, pet dander, cooking odors, dust, dust mites and their by-products are all captured in a series of three filters. The prefilter collects the largest particles while the carbon filter absorbs odors. The third filter is a true, certified HEPA filter which collects 99.97% of particles down to 0.3 microns.

DM3000P

The duct mount model features integrated pressure switch, which energizes the unit any time furnace/air handler operates. Designed with a backplate that allows direct connection of the unit to air handler or furnace.

CM3000

Collar mount model comes with four collars, two pieces of UL Listed 8" flex duct and hanging chains.

CM3000I

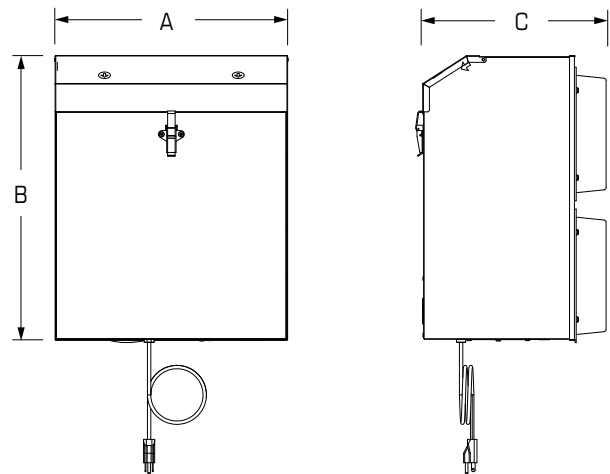
Insulated unit is used in unconditioned spaces such as attics and garages. Insulated outer shell prevents condensation problems. Kit includes hanging chains.



Dimensions

Model	A	B	C
DM 3000	16	20	10 1/2
CM 3000	16	20	10 1/2
CM 3000I	17	20 3/5	11 1/5

Dimensional information is in inches.



Specification data

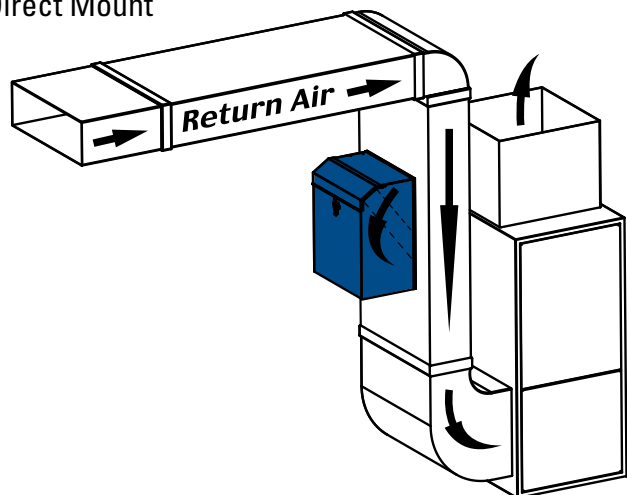
Model	Port (duct) size	Voltage / phase	Rated power	Max amps	Average airflow @ 0.4" P _s	Insulation	Dimensions	Shipping weight	Item #	Class 1 or 2	List price
	inch	V / ~	W	A	cfm		inch				
DM 3000P	(2) 5 x 10	120 / 1	150	1.0	240	-	20 x 16 x 10.5	28	40217	1	514.00
CM 3000	8	120 / 1	150	1.0	240	-	20 x 16 x 10.5	28	40219	1	514.00
CM 3000I	8	120 / 1	150	1.0	240	Yes	20.6 x 17 x 11.2	28	40220	1	514.00

Installation

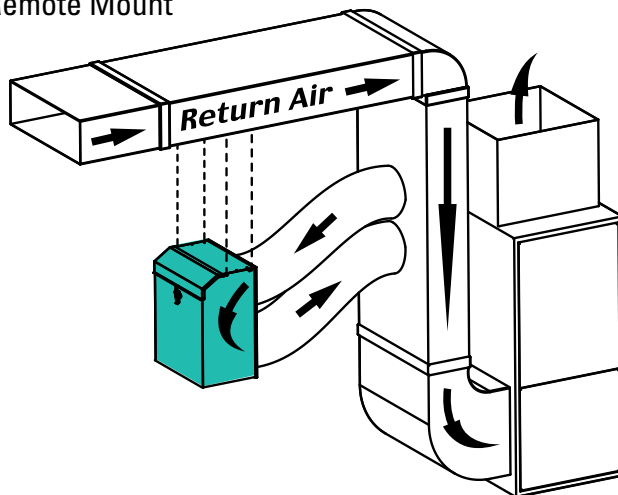
Units easily install horizontally or vertically on the return air side duct of your furnace or air handler. Air is directed through the bypass HEPA which allows the heating/cooling system to easily deliver clean, fresh healthy air throughout

the entire home. They can also be used as independent systems mounted in the attic, crawl space or closet.

Direct Mount

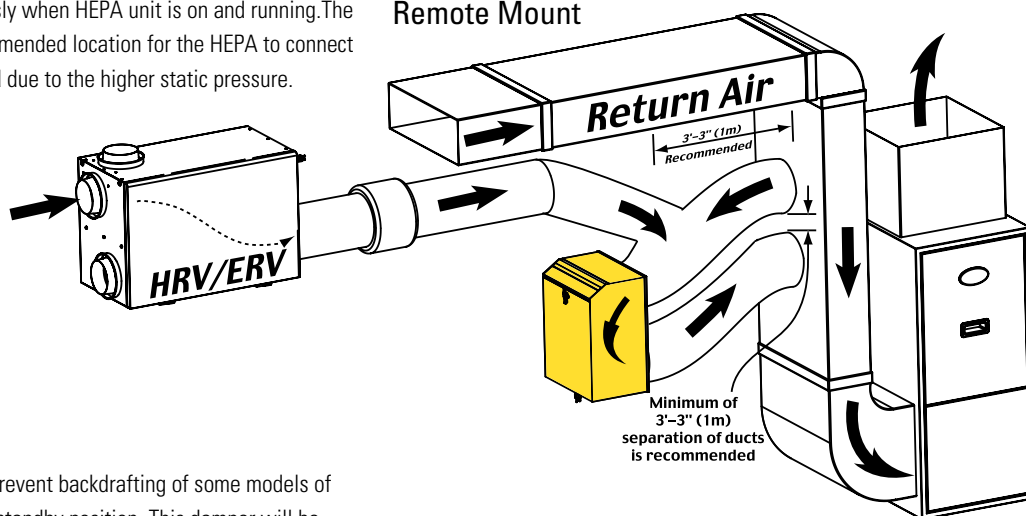


Remote Mount



Furnace fan should operate continuously when HEPA unit is on and running. The return side of the furnace is the recommended location for the HEPA to connect to. The supply side is normally avoided due to the higher static pressure.

Remote Mount



A power damper is recommended to prevent backdrafting of some models of air to air changers, when in the off or standby position. This damper will be installed between the HRV/ERV and the HEPA unit.

NOTE: Models SHR/SER 1505R, 2005R & 3005R have an automatic backdraft damper build-in that activates when units are in a standby position and do not need this additional damper.

Accessories



RPFH 1315
Replacement Filter*
page 248



RHF 16
Replacement HEPA
page 248

* Replacement filters also available in bulk packs of 24 pieces for RPFH (RPFH 1315B) and 12 pack RHF (RHF 16B). Found out more on page 248.

FB Series

Inline Filter Box with MERV 13 Filter

Building sciences research has shown that highly efficient filtration of the outside air before it is delivered to the home is one of the best ways to reduce the level of particles suspended in your home's air. The FB6 unit features 80-90% efficiency filter, designed to meet the air filtration efficiency criteria required to gain points toward certification in the Leadership in Energy and Environmental Design (LEEDs) Green Building rating system.

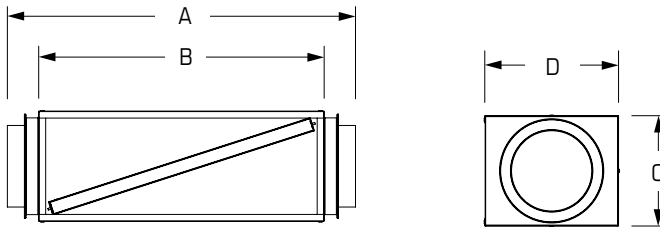
- MERV13 filter
- Used for airflows up to 176 cfm
- 6 inch diameter plastic duct connections
- Beige powder coated
- Neoprene door seal
- Access door removed with thumb screws



Specification data

Model	Port (duct) size	Filter type	Rate	Average airflow @ 0.2" P _s	Insulation type	Shipping weight	Item #	Class 1 or 2	List price
	inch			cfm		lbs			
FB 6	6	Pleated	MERV 13	176	-	10	40304	1	127.00

Dimensions



Model	A	B	C	D
FB 6	20.5	19.5	8	10

Dimensional information is in inches.

Accessories

FBRF

Replacement Filter

Pleated, non-washable. Rated MERV13 (Arrestance of >98% based on Standard 52). Listed UL 900 for the US and Canada.



Model	Replacement for	Weight, lbs	Item #	Class 1 or 2	List Price, USD
FBRF 6	Inline Filter Box FB 6	1	40390	1	34.00

AEV 1000

Air Exchanger



Suitable for temperate climates where balanced ventilation is needed, an Air Exchanger Ventilator (AEV 1000) is designed to provide fresh air into a building while exhausting an equal amount of stale air. During the winter months, the incoming cold fresh air is warmed by mixing it with return air before it is supplied to the home. During summer months when the indoor space is air conditioned, the AEV will help in cooling the incoming fresh air with the stale air that is being exhausted.

The unit runs continuous or on intermittent, giving the homeowner complete control over their air quality. Continuous low speed ventilation is recommended, which will help eliminate carbon dioxide, voc's and other gases as well as freshen up the home. Intermittent high speed ventilation can be obtained through a variety of optional remote controls. Suitable for temperate climate.

- Airflow up to 68 cfm @ 0.2" P_s serves 1-2 bedroom homes
- Washable synthetic filter
- Unit can be installed in any position
- External three position switch (Low/Standby/Medium)



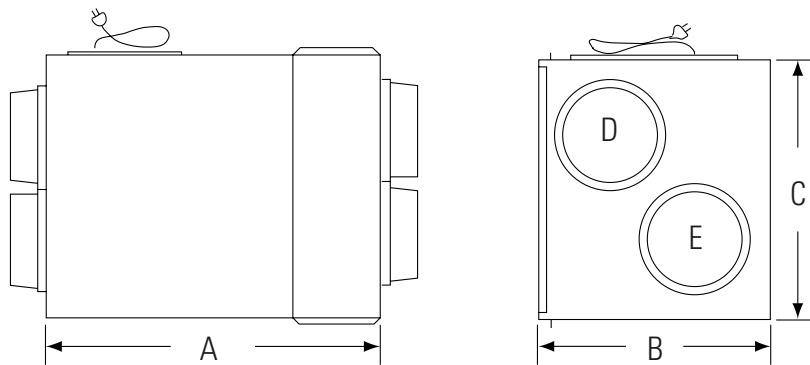
Maximum continuous airflow

cfm \ in.wg	0.05" P _s	0.1" P _s	0.15" P _s	0.2" P _s	0.25" P _s	0.3" P _s
Supply air flow	110	93	80	68	52	35
Exhaust air flow	100	84	70	56	44	29

Specification data

Model	Duct size	Voltage / phase	Rated power	Max amps	Average airflow @ 0.2" P _s	Connection	Defrost cycle	Shipping weight	Item #	Class 1 or 2	List price
	inch	V / ~	W	A	cfm			lbs			USD
AEV 1000	5	120 / 1	81	0.7	68	Side	-	25	40146	1	448.00

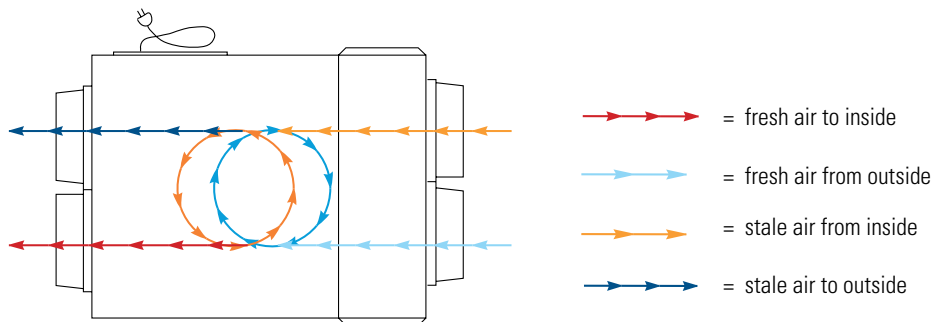
Dimensions



Model	A	B	C	D	E
AEV 1000	18 ³ / ₁₆	12 ¹ / ₂	14	5	5

Dimensional information is in inches.

Operation diagram



Specifications

- Model: AEV 1000
- Total assembled weight: 25 lbs
- Cabinet: 22 ga. steel w/powder coat finish
- Motors: backward curved blades
- Supply & Exhaust ducts: 5"
- Mounting: hanging chains included
- Insulated with 1" aluminum foil-face high density polystyrene foam to prevent condensation and meet the requirements of the UL 94HF
- Filters: 1 washable filters, 11.8" x 12.9" x 0.63"

Accessories



MDEH
Dehumidistat
page 244



RSK*
Backdraft Damper
page 246



DG / DGD
Exhaust Grille
page 241



CG
Contour Grille
page 241

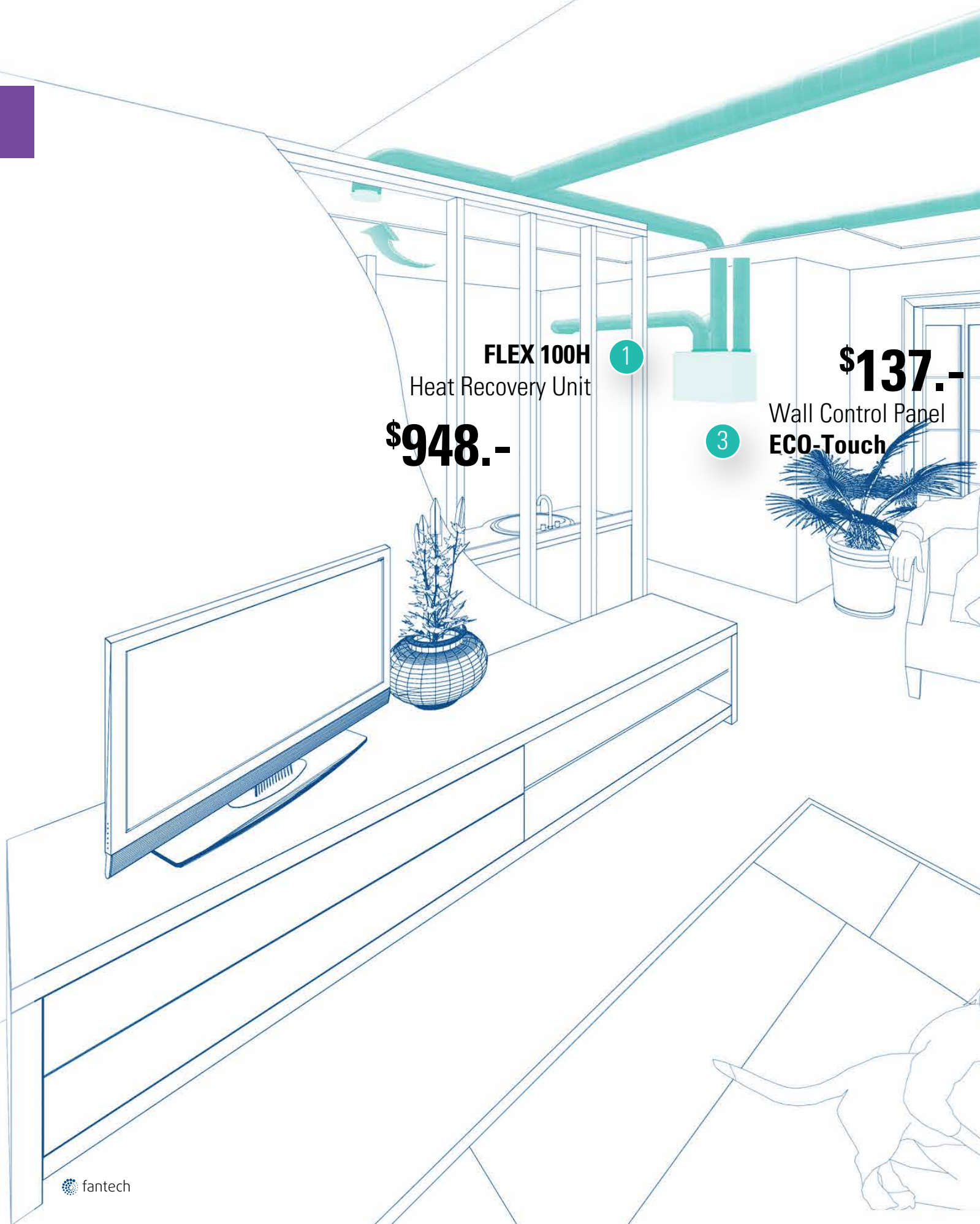


FDT
Insulated Flex Duct
page 246

* for backdraft prevention

**We know
that proper
ventilation is an
everyday need –
every day of your
life.**





FLEX 100H
Heat Recovery Unit
\$948.-

1

\$137.-
Wall Control Panel
ECO-Touch

3

Condominiums

Many homes, many needs -
one solution

Homes today are tighter and more energy efficient than they were 20 years ago, however they trap stale air indoors, which leads to poor indoor air quality and possible health problems.

What can you do about it?

Installing a FLEX 100H can significantly improve the quality of the indoor air you breathe. The FLEX 100H's balanced ventilation technology replaces stale indoor air with an identical amount of fresh air. Balanced ventilation has a number of advantages over exhaust-only ventilation such as not drawing pollutants into living space, faster dilution of pollutants and better fresh air distribution.

Well suited for condos, apartments and single and multi family homes, the FLEX 100H can fit almost anywhere (such as in a 24" closet space). Outgoing polluted air passes through a special aluminum recovery core transferring up to 80% of the heat energy to the incoming cool fresh air. At no time does the stale and fresh air streams mix.

1. FLEX 100H / \$948.- Heat Recovery Ventilator

Up to 100 CFM of continuous balanced ventilation. Turbo Touch™ features provide up to 50% more intermittent ventilation. Integrated air flow measurement and damper system for easy balancing. Duct diameter (inlet/outlet): 5" See page 50.

2. MGS 4 / \$27.- Supply Grille

The supply grille is suitable for a visible connection and can be connected throughout a transition to the duct using the connection sleeve fitted with a rubber seal tested for air tightness. See page 240.

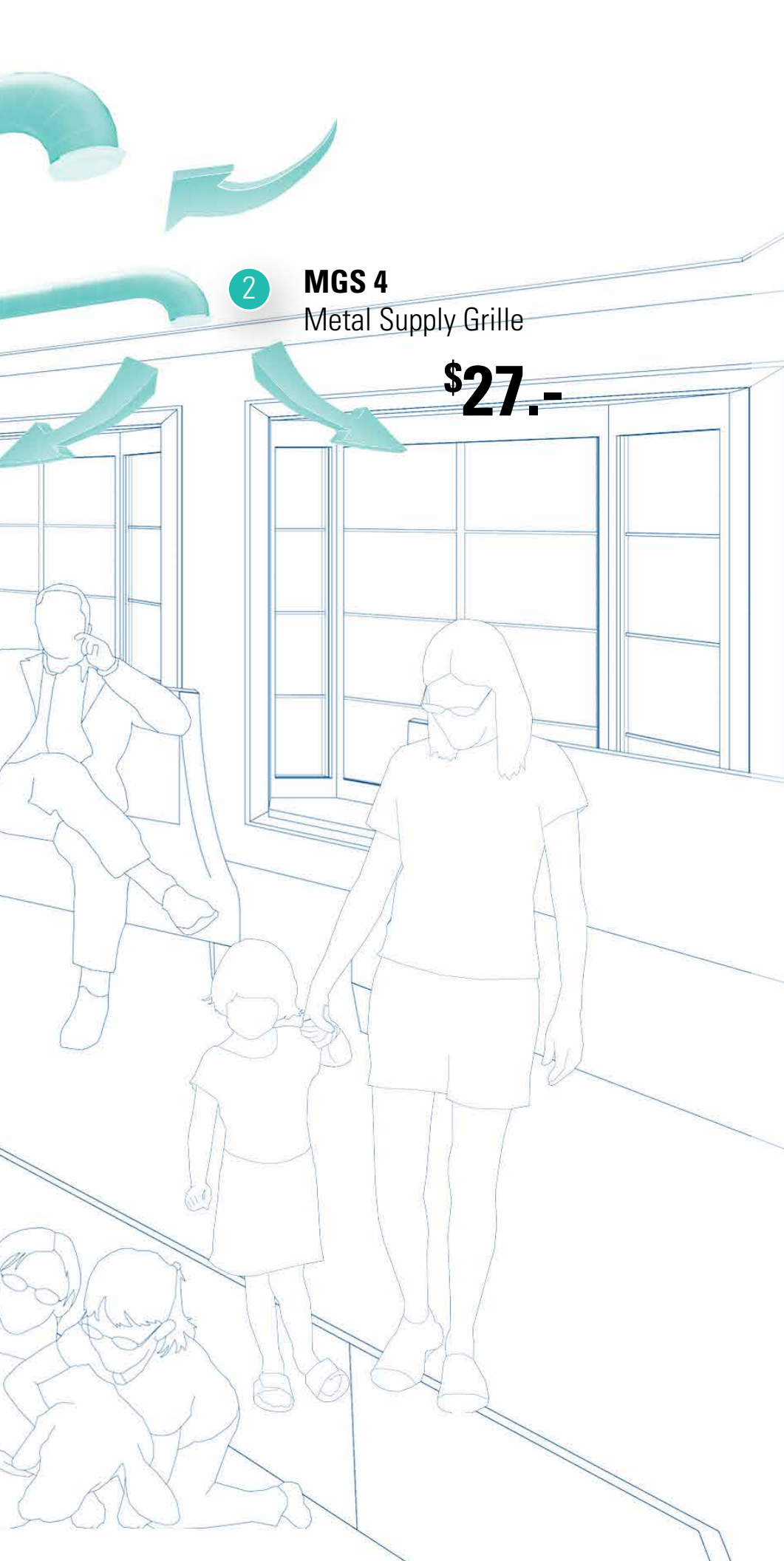
3. Eco-Touch™ / \$137.- Electronic Programmable Wall Control

This principal ventilation controller for HRV/ERV features an attractive, backlit touchscreen. The intuitive control is easily programmable for automatic operation. Found out more about Boost mode applications on page 52.

2

MGS 4 Metal Supply Grille

\$27.-



FLEX 100H

Heat Recovery Ventilator



As Fantech's masterpiece of versatility, features and efficiency, the Flex 100H is ideal for high-rise apartment applications, condominiums, single and multi family homes. With its compact top port design featuring 5 inch oval collars and the included EZ-Mount™ wall bracket, the Flex 100H can be installed in spaces as small as 24 inches, such as a closet or maintenance room.

Unlike traditional HRVs that require excessive power to meet supplemental ventilation needs, the compact, yet powerful Flex 100H allows for sizing based entirely on principal ventilation requirements. With its exclusive TurboTouch™ feature, the Flex 100H can deliver up to 50% more exhaust capacity to easily meet supplemental ventilation needs whenever additional airflow is required.



- Airflow up to 105 cfm serves 1 to 7 bedroom homes
- Top-mounted ports for easier duct connectivity
- Unobstructed front access
- The TurboTouch feature delivers up to 50% more exhaust capacity
- Aluminum core provides superior heat transfer capability
- Integrated airflow measurement system allows for rapid and accurate reading of airflow during installation

Maximum continuous airflow

cfm	in.wg	0.1" P _s	0.2" P _s	0.3" P _s	0.4" P _s	0.5" P _s	0.6" P _s	0.7" P _s	0.8" P _s
Net supply air flow		146	129	116	105	96	88	80	73
Gross supply air flow		148	132	118	107	97	89	82	74
Gross exhaust airflow		148	133	120	107	95	84	73	63

Energy performance

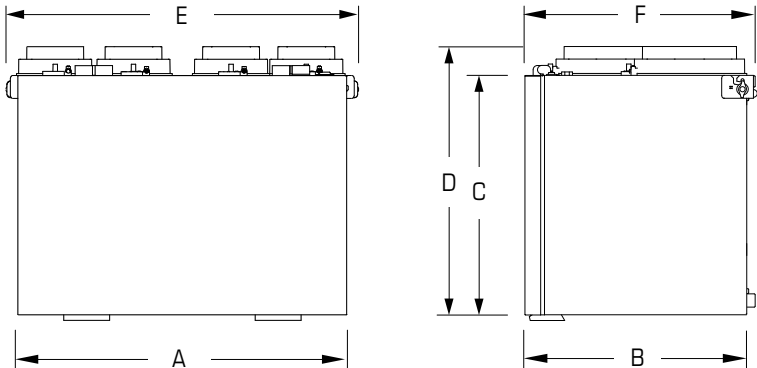
Heating	Supply temperature	Net airflow	Consumed power	Sensible recovery efficiency	Apparent sensible effectiveness	Latent recovery/moisture transfer
	°F	cfm	W	%	%	-
	32	52	56	70	80	-0.08
	32	69	56	67	75	-0.06
	32	99	102	64	73	-0.04
	-13	72	98	66	78	0.00

Specification data

Model	Duct size	Voltage / phase	Rated power	Max amps	Average air-flow @ 0.4" P _s	Connection	Defrost cycle	Shipping weight	Item #	Class 1 or 2	List price
	inch	V / ~	W	A	cfm			lbs			USD
Flex 100H*	5	120 / 1	168	1.4	105	Top	Recirculation	46	44001	1	948.00

* This product earned the ENERGY STAR® by meeting strict efficiency guidelines set by Natural Resources Canada and the US EPA. It meets ENERGY STAR® requirements only when used in Canada.

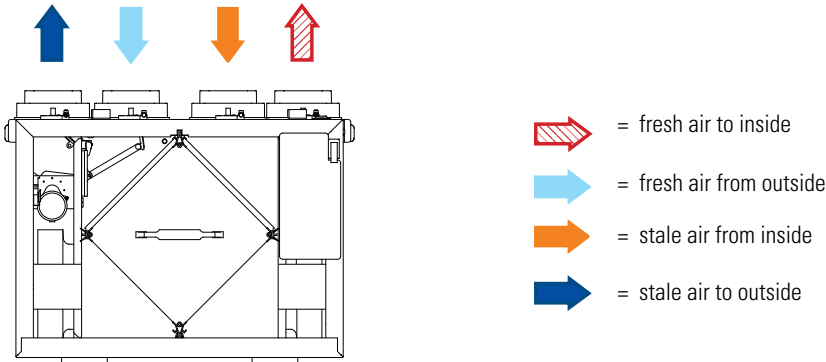
Dimensions



Model	A	B	C	D	E	F
Flex 100H	21 1/2	14 1/2	15 5/8	17 8/9	22 1/2	15

Dimensional information is in inches. Clearance of 12" in front of the unit is recommended for removal of core.

Operation diagram



Specifications

- Model: FLEX 100H
- Total assembled weight: 40 lbs
- Mounting: Wall bracket included as standard
- Motors: Permanently sealed motors, backward curved blades
- Supply & Exhaust ducts: 5" oval
- Insulated with high density polystyrene foam
- Core: Aluminum, 8.5" x 8.5" x 12"
- Filters: 2 washable electrostatic filters 8.5" x 12.5" x 0.125"
- Cabinet: 24 ga. steel w/powder coat finish

Accessories



Eco-Touch™
Wall Control
page 243



EDF 1R
Electronic Control
page 243



RTS 5
Electronic Timer
page 243



EDF 7
Electronic Dehumidistat
page 244



MGS
Supply Grille
page 240



MGE
Exhaust Grille
page 240



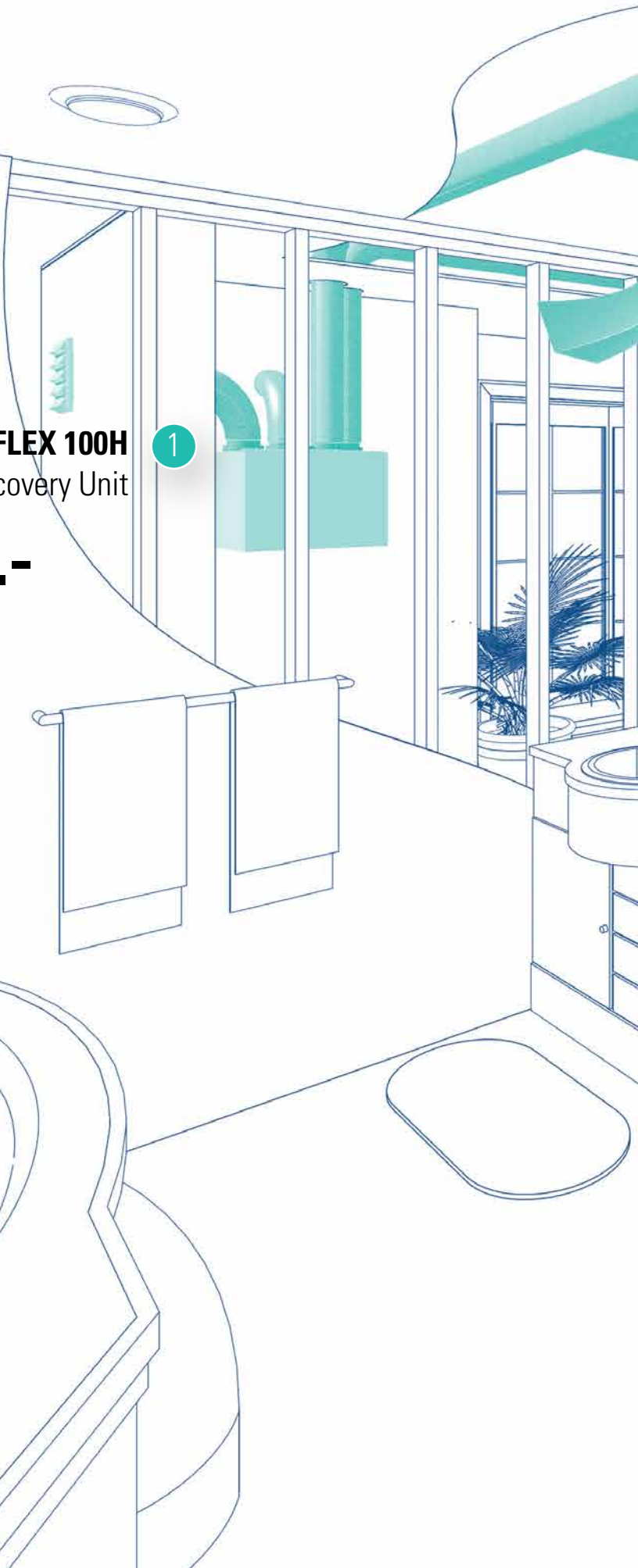
FIDT
Insulated Flex Duct
page 246



FLEX 100H
Heat Recovery Unit

1

\$948.-



Condominiums

Bathroom exhaust

2 MGE 4 Supply Grille

\$19.-

The days of the traditional bathroom fan are numbered!

Using the FLEX100H does away with the need for a bathroom exhaust fan in those tight homes that have 1-2 bathrooms that are continuously ventilated at a low rate as recommended by ASHRAE 62.2.

The FLEX 100H with its Turbo Boost mode can exhaust air at a low rate from these bathrooms and at the push of a button, boost the airflow to high to ventilate for 20 minutes or so to "freshen up" the room.

The savings are immediate, no costs involved with installing a ceiling fan, all that is required is a small grille.

No more exhausting air, which you have spent money heating or cooling, the FLEX 100H reclaims most of the heat/cool, saving you energy and money.

1. FLEX 100H / \$948.- Heat Recovery Ventilator

Up to 100 CFM of continuous balanced ventilation. Turbo Touch™ features provide up to 50% more intermittent ventilation. Integrated air flow measurement and damper system for easy balancing. Duct diameter (inlet/outlet): 5" See page 50.

2. MGE 4 / \$19.- Supply Grille

An exhaust diffuser for installation on ceiling or wall. It can also be used for supply air. The diffuser has a lockable central cone which is rotated to adjust the pressure and consequently the air volume. See page 241.

3. RTS 5 / \$42.- (not shown) Push Button Timer

The RTS5 is compatible with Fantech Flex 100H, VHR70R, VHR100R and VHR150R. The push button activates the system to run in continuous mode for 20, 40 or 60 minutes, it then returns to the predetermined setting. See page 243.

\$999.-

FOR THE KIT



FLEX 100H-K, 46 lbs, Class 1, #44794

EXTRA FUNCTIONS AND SAVINGS SHOULD ALWAYS GO TOGETHER

We believe extra functionality shouldn't cost more. That's why we designed the Flex 100H Heat Recovery Ventilator. With its exclusive TurboTouch™ feature, the ventilator can deliver up to 50% more exhaust capacity to easily meet supplemental ventilation needs whenever additional airflow is required. Along with the Eco-Touch wall control panel it delivers an unbeatable combination of improved air quality, energy savings and reliable performance year after year. **Ask for FLEX 100H-K.**

VHR 150R **NEW**

Heat Recovery Ventilator



Fantech's answer to a heat recovery ventilator (HRV) for home projects that demand higher efficiency, the VHR 150R with oval collars is designed for higher static pressure applications and is ENERGY STAR® qualified*. The unit brings a continuous supply of fresh air into a home while exhausting an equal amount of contaminated air. During winter, fresh incoming air is tempered by the heat that is transferred from the outgoing air so you save on energy costs, while during summer, the incoming air is pre-cooled if the house is equipped with an air cooling system. The VHR 150R with oval collars incorporates a unique and quiet internal recirculation defrost that does not depressurize the home during the defrost cycle.

During the defrost sequence, a motorized damper temporarily blocks the incoming fresh air stream so that the warm air from the house can circulate through the HRV. The exhaust blower shuts down and the supply blower switches into high speed to maximize the effectiveness of the defrost strategy.



- Airflow up to 160 cfm @ 0.4" P_s serves 2 to 5 bedroom homes
- Integrated airflow measurement system allows for rapid and accurate reading of airflow during installation

Maximum continuous airflow

cfm	in.w.g	0.2" P _s	0.4" P _s	0.6" P _s	0.8" P _s	1.0" P _s
Net supply air flow		181	157	134	111	87
Gross supply air flow		184	160	136	113	89
Gross exhaust airflow		184	160	136	113	89

Energy performance

Heating	Supply temperature	Net airflow	Consumed power	Sensible recovery efficiency	Apparent sensible effectiveness	Latent recovery/moisture transfer
	°F	cfm	W	%	%	-
	32	85	70	66	79	-0.01
	32	100	86	66	79	0.01
	32	187	156	55	64	0.01
	-13	89	99	60	72	0.02

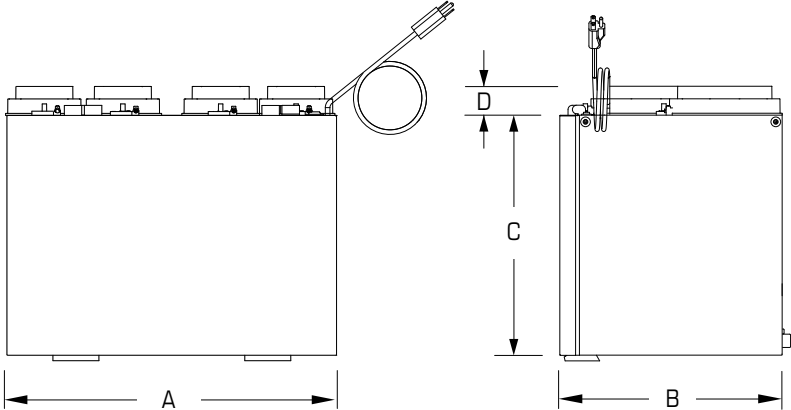
Specification data

Model	Duct size	Voltage / phase	Rated power	Max amps	Average air-flow @ 0.4" P _s	Connection	Defrost cycle	Shipping weight	Item #	Class 1 or 2	List price
	inch	V / ~	W	A	cfm			lbs			USD
VHR 150R*	6	120 / 1	156	1.4	160	Top	Recirculation	48	44859	1	1,200.00

* This product earned the ENERGY STAR® by meeting strict efficiency guidelines set by Natural Resources Canada and the US EPA. It meets ENERGY STAR® requirements only when used in Canada.

NEW

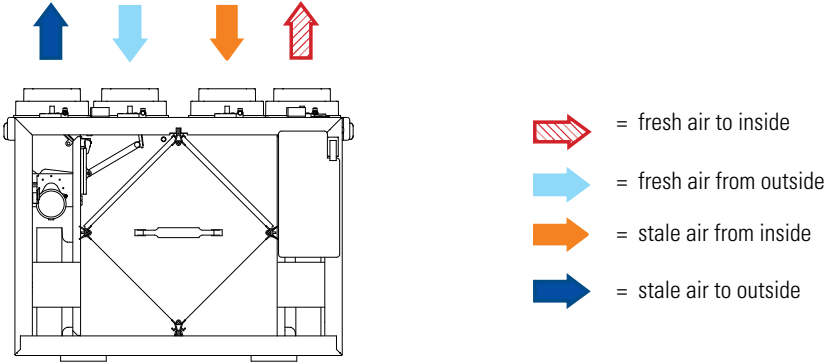
Dimensions



Model	A	B	C	D	Duct (oval)
VHR 150R	23 3/4	17 3/16	16 1/4	2 2/13	6

Dimensional information is in inches. Clearance of 17" (432 mm) in front of the unit is recommended for removal of core. The unit features a three foot plug-in power cord with 3-prong plug.

Operation diagram



Specifications

- Model: VHR 150R
- Total assembled weight: 48 lbs
- Mounting: an installation kit supplied with unit
- Motors: Permanently sealed motors, backward curved blades
- Supply & Exhaust ducts: 6" oval
- Insulated with high density expanded polystyrene
- Core: Aluminum, 9" x 9" x 15"
- Filters: 2 washable electrostatic filters 8.5" x 15" x 0.125"
- Cabinet: 24 ga. steel w/powder coat finish

Accessories



Eco-Touch™
Wall Control
page 243



EDF 1R
Electronic Control
page 243



RTS 5
Electronic Timer
page 243



EDF 7
Electronic Dehumidistat
page 244



MGS
Supply Grille
page 240



MGE
Exhaust Grille
page 241



FIDT
Insulated Flex Duct
page 246



VH 704

Heat Recovery Ventilator

As the Fantech's smallest and most compact top duct connection HRV, the VH 704 unit brings a continuous supply of fresh air into a home while exhausting an equal amount of contaminated air. During winter, fresh incoming air is tempered by the heat that is transferred from the outgoing air so you save on energy costs, while during summer, the incoming air is pre-cooled if the house is equipped with an air cooling system. The VH 704 is equipped with an automatic defrost mechanism so even if you live in a cold climate you can use your HRV all year long.

Unit is designed to operate continuously on a single speed. The automatic defrost cycle consists of a fan shutdown: when the supply air stream temperature goes below 23°F, the supply motor shuts down, while the exhaust motor continues to ventilate. Ambient air is passed through the unit for a period of 3 or 5 minutes. The supply motor will then re-start and run at the preset speed.



- Airflow up to 56 cfm @ 0.4" P_s serves 1 to 2 bedroom homes
- Single speed ventilation; no controls needed
- Includes easy-mount wall bracket

Maximum continuous airflow

Defrost cycle time

cfm	in.wg	0.1" P _s	0.2" P _s	0.3" P _s	0.4" P _s	0.5" P _s	Temperature range °F	Run / Defrost time (min)
Net supply air flow		96	85	67	56	42	23 to 14	40 / 3
Gross supply air flow		100	88	70	58	43	14 to 5	30 / 5
Gross exhaust airflow		104	88	73	59	43	5 & lower	20 / 5

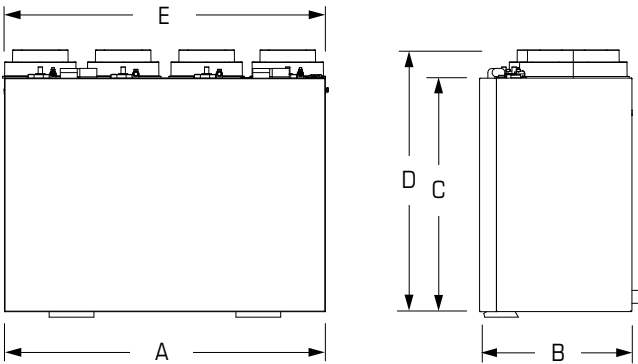
Energy performance

Heating	Supply temperature	Net airflow	Consumed power	Sensible recovery efficiency	Apparent sensible effectiveness	Latent recovery/moisture transfer
	°F	cfm	W	%	%	-
	32	55	36	57	67	-
	32	67	40	55	64	-
	32	84	40	54	60	-
	-13	73	35	53	66	-

Specification data

Model	Duct size	Voltage / phase	Rated power	Max amps	Average air-flow @ 0.4" P _s	Connection	Defrost cycle	Shipping weight	Item #	Class 1 or 2	List price
	inch	V / ~	W	A	cfm			lbs			USD
VH 704	4	120 / 1	48	0.4	56	Top	Fan shutdown	32	40358	1	748.00

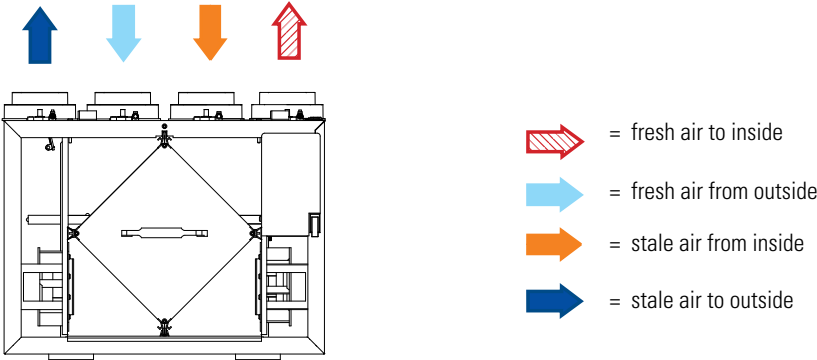
Dimensions



Model	A	B	C	D	E
VH 704	21 1/2	10 3/16	15 2/3	17 3/16	21 1/2

Dimensional information is in inches. Clearance of 12" in front of the unit is recommended for removal of core.







Operation diagram



Specifications

- Model: VH 704
- Total assembled weight: 27 lbs
- Cabinet: 24 ga. steel w/powder coat finish
- Motors: backward curved blades
- Supply & Exhaust ducts: 4"
- Mounting: a wall bracket included
- Insulated with 1" aluminum foil-face high density polystyrene foam to prevent condensation and meet the requirements of the UL 94HF
- Core: Aluminum, 8.5" x 8.5" x 8"
- Filters: 2 washable filters, 8.5" x 8" x 0.125"

Accessories

					
FTD 7 7 Day Timer page 243	FEL Elbow page 244	MGS Supply Grille page 240	MGE Exhaust Grille page 241	COM Plastic Hood page 244	FIDT Insulated Flex Duct page 246

VHR 704

Heat Recovery Ventilator



As the Fantech's most compact, full-featured HRV, the VHR 704 unit brings a continuous supply of fresh air into a home while exhausting an equal amount of contaminated air. During winter, fresh incoming air is tempered by the heat that is transferred from the outgoing air so you save on energy costs, while during summer, the incoming air is pre-cooled if the house is equipped with an air cooling system. The VHR 704 is equipped with an automatic defrost mechanism so you can use your HRV all year long.

A preset defrost sequence is activated at an outdoor air temperature of 23°F and lower. During the defrost sequence, the supply blower shuts down & the exhaust blower switches to high speed to maximize the effectiveness of the defrost strategy. The unit then returns to normal operation, and continues the cycle.



- Airflow up to 56 cfm @ 0.4" P_s serves 1 to 3 bedroom homes
- Top port design fits in tight spaces
- Three speed ventilation control
- Compatible with Fantech's low-voltage controls

Maximum continuous airflow

Defrost cycle time

cfm	in.wg	0.1" P _s	0.2" P _s	0.3" P _s	0.4" P _s	0.5" P _s	Temperature range °F	Run / Defrost time (min)
Net supply air flow		96	85	67	56	42	23 to 14	40 / 3
Gross supply air flow		100	88	70	58	43	14 to 5	30 / 5
Gross exhaust airflow		104	88	73	59	43	5 & lower	20 / 5

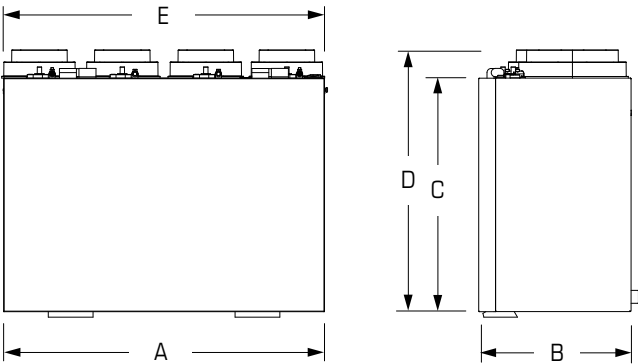
Energy performance

Heating	Supply temperature	Net airflow	Consumed power	Sensible recovery efficiency	Apparent sensible effectiveness	Latent recovery/moisture transfer
	°F	cfm	W	%	%	-
	32	42	36	61	70	0.01
	32	64	50	60	69	0.00
	-13	46	36	55	72	0.00

Specification data

Model	Duct size	Voltage / phase	Rated power	Max amps	Average air-flow @ 0.4" P _s	Connection	Defrost cycle	Shipping weight	Item #	Class 1 or 2	List price
	inch	V / ~	W	A	cfm			lbs			USD
VHR 704	4	120 / 1	48	0.4	58	Top	Fan shutdown	35	40392	1	826.00

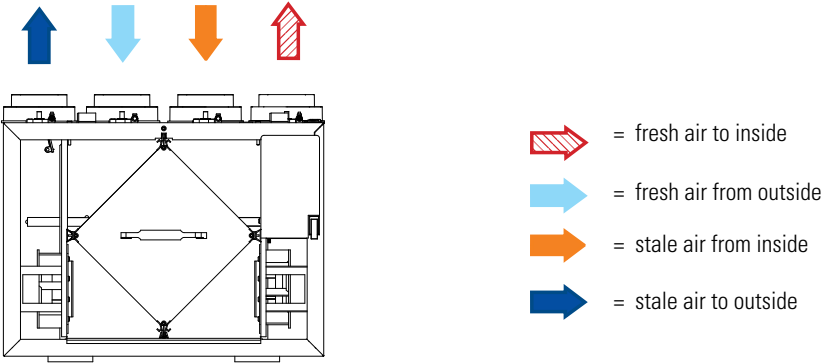
Dimensions



Model	A	B	C	D	E
VHR 704	21 1/2	10 3/16	15 2/3	17 1/4	21 1/2

Dimensional information is in inches. Clearance of 12" in front of the unit is recommended for removal of core.

Operation diagram



Specifications

- Model: VHR 704
- Total assembled weight: 27 lbs
- Cabinet: 24 ga. steel w/powder coat finish
- Motors: backward curved blades
- Supply & Exhaust ducts: 4"
- Mounting: a wall bracket included
- Insulated with 1" aluminum foil-face high density polystyrene foam to prevent condensation and meet the requirements of the UL 94HF
- Core: Aluminum, 8.5" x 8.5" x 8"
- Filters: 2 washable filters, 8.5" x 8" x 0.125"

Accessories

Eco-Touch™ Wall Control page 243	EDF 1 Electronic Control page 243	RTS 2 Electronic Timer page 243	EDF 7 Electronic Dehumidistat page 244	MGS Supply Grille page 240	MGE Exhaust Grille page 241	COM Plastic Hood page 244	FIDT Insulated Flex Duct page 246

VHR 704R / VHR 70R* **NEW**

Heat Recovery Ventilator



As Fantech's most compact, full-featured HRVs with recirculation defrost for better efficiency, the VHR 704R / VHR 70R units bring a continuous supply of fresh air into a home while exhausting an equal amount of contaminated air. The VHR 70R (NEW) is an ENERGY STAR® qualified* unit. During winter, fresh incoming air is tempered by the heat that is transferred from the outgoing air so you save on energy costs, while during summer, the incoming air is pre-cooled if the house is equipped with an air cooling system. These units are equipped with an automatic recirculation defrost mechanism so even if you live in a cold climate you can use your HRV all year long.



- Airflow up to 58 cfm / 55 cfm @ 0.4" P_s serves 1 to 3 bedroom homes
- Top port design fits in tight spaces
- Three speed ventilation control
- Equipped with recirculation defrost
- Integrated balancing damper and balancing port
- Easy access service door
- Compatible with Fantech's low-voltage controls

Maximum continuous airflow (VHR 704R / VHR 70R)

Defrost cycle time

cfm \ in.wg	0.1" P _s	0.2" P _s	0.3" P _s	0.4" P _s	0.5" P _s	Temperature range °F	Run / Defrost time (min)
Net supply air flow	84 / 80	76 / 73	64 / 65	55 / 57	44 / 49	23 to 14	40 / 3
Gross supply air flow	86 / 81	77 / 74	66 / 66	56 / 58	45 / 50	14 to 5	30 / 5
Gross exhaust airflow	91 / 76	81 / 69	70 / 64	58 / 60	43 / 53	5 & lower	20 / 5

Energy performance (VHR 704R / VHR 70R)

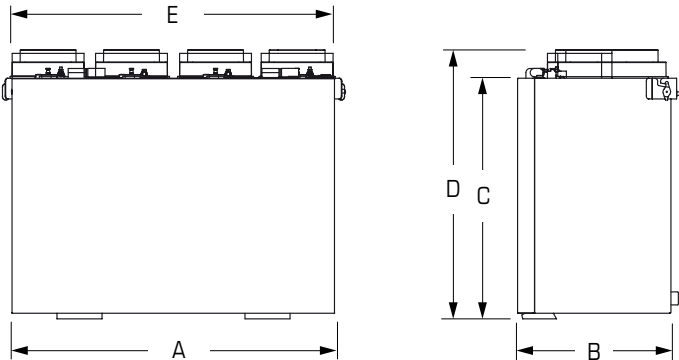
Heating	Supply temperature	Net airflow	Consumed power	Sensible recovery efficiency	Apparent sensible effectiveness	Latent recovery/moisture transfer
	°F	cfm	W	%	%	-
	32	52 / 42	34 / 36	61 / 65	69 / 74	0.00 / 0.01
	32	64 / 64	44 / 48	61 / 63	66 / 72	0.00 / 0.00
	-13	75 / 47	44 / 40	59 / 62	67 / 79	0.00 / 0.02
	-13	57 / 71	42 / 45	61 / 62	73 / 80	0.01 / 0.01

Specification data

Model	Duct size	Voltage / phase	Rated power	Max amps	Average air-flow @ 0.4" P _s	Connection	Defrost cycle	Shipping weight	Item #	Class 1 or 2	List price
	inch	V / ~	W	A	cfm			lbs			USD
VHR 704R	5	120 / 1	48	0.4	55	Top	Recirculation	30	41050	1	842.00
VHR 70R*	5	120 / 1	48	0.4	58	Top	Recirculation	30	44695	1	960.00

* This product earned the ENERGY STAR® by meeting strict efficiency guidelines set by Natural Resources Canada and the US EPA. It meets ENERGY STAR® requirements only when used in Canada.

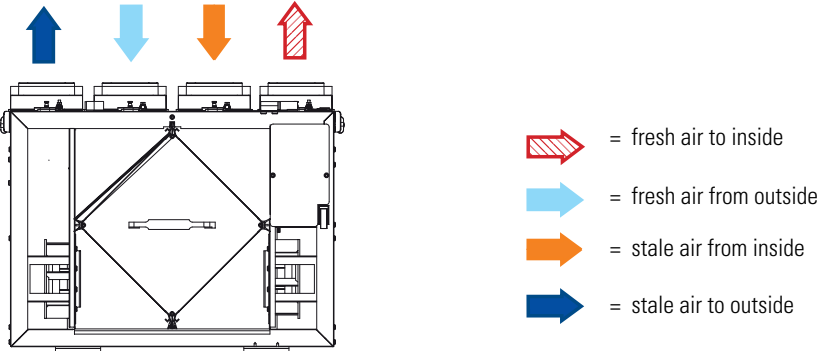
Dimensions



Model	A	B	C	D	E
VHR 704R / 70R	22 1/2	10 1/5	16	17 3/16	21 1/2

Dimensional information is in inches. Clearance of 12" in front of the unit is recommended for removal of core.

Operation diagram



Specifications

- Model: VHR 704R / VHR 70R
- Total assembled weight: 30 lbs
- Cabinet: 24 ga. steel w/powder coat finish
- Motors: backward curved blades
- Supply & Exhaust ducts: 5" oval
- Mounting: a wall bracket included
- Insulated with 1" aluminum foil-face high density polystyrene foam to prevent condensation and meet the requirements of the UL 94HF.
- Core: Aluminum, 8.5" x 8.5" x 8"
- Filters: 2 washable filters, 8.5" x 8" x 0.125"

Accessories

							
Eco-Touch™ Wall Control page 243	EDF 1 Electronic Control page 243	RTS 2 / RTS 5* Electronic Timer page 243	EDF 7 Electronic Dehumidistat page 244	MGS Supply Grille page 240	MGE Exhaust Grille page 240	COM Plastic Hood page 244	FIDT Insulated Flex Duct page 246

*Only when used with VHR 70R

VHR 1404

Heat Recovery Ventilator



Fantech's most popular HRV for home projects, the VHR 1404 is designed for higher static pressure applications. The unit brings a continuous supply of fresh air into a home while exhausting an equal amount of contaminated air. During winter, fresh incoming air is tempered by the heat that is transferred from the outgoing air so you save on energy costs, while during summer, the incoming air is pre-cooled if the house is equipped with an air cooling system.

The VHR 1404 is equipped with automatic defrost mechanisms so you can use your HRV all year long.

A preset defrost sequence is activated at an outdoor air temperature of 23°F and lower. During the defrost sequence, the supply blower shuts down & the exhaust blower switches into high speed to maximize the effectiveness of the defrost strategy. The unit then returns to normal operation, and continues cycle.



- Airflow up to 159 cfm @ 0.4" P_s serves 2 to 5 bedrooms homes
- External dry contacts for quick connection of remote controls
- Compatible with Fantech's low-voltage controls
- Three speed ventilation control
- Washable electrostatic filters
- Easy access service door

Maximum continuous airflow

cfm \ in.wg	0.0" P _s	0.2" P _s	0.3" P _s	0.4" P _s	0.5" P _s	0.6" P _s	0.7" P _s	0.8" P _s	0.9" P _s	1.0" P _s
Net supply air flow	188	182	173	159	154	128	113	101	92	88
Gross supply air flow	191	186	176	162	141	130	115	103	92	90
Gross exhaust airflow	197	187	176	165	143	140	128	114	100	86

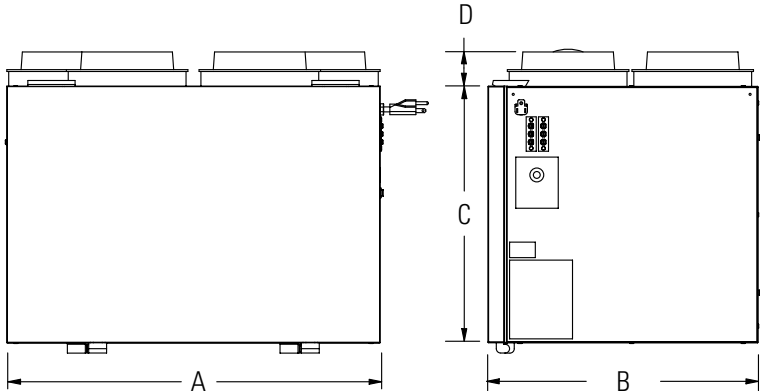
Energy performance

Heating	Supply temperature	Net airflow	Consumed power	Sensible recovery efficiency	Apparent sensible effectiveness	Latent recovery/moisture transfer
	°F	cfm	W	%	%	-
	32	85	70	61	76	-
	32	101	94	63	71	-
	32	159	140	60	68	-
	-13	85	71	58	75	-

Specification data

Model	Duct size	Voltage / phase	Rated power	Max amps	Average air-flow @ 0.4" P _s	Connection	Defrost cycle	Shipping weight	Item #	Class 1 or 2	List price
	inch	V / ~	W	A	cfm			lbs			USD
VHR 1404	6	120 / 1	156	1.2	159	Top	Fan shutdown	52	40058	1	953.00

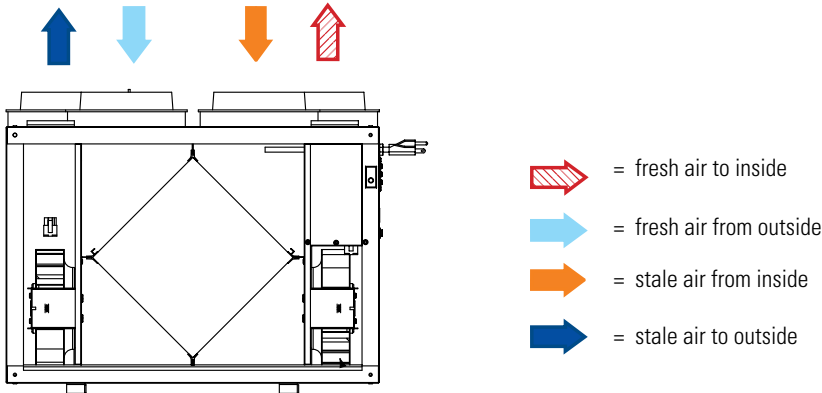
Dimensions



Model	A	B	C	D
VHR 1404	23 3/4	17 3/16	16 1/4	2 3/16

Dimensional information is in inches. Clearance of 12" in front of the unit is recommended for removal of core.




Operation diagram



Specifications

- Model: VHR 1404
- Total assembled weight: 45 lbs
- Cabinet: 24 ga. steel w/powder coat finish
- Motors: backward curved blades
- Supply & Exhaust ducts: 6"
- Mounting: ceiling suspended kit included
- Insulated with 1" aluminum foil-face high density polystyrene foam to prevent condensation and meet the requirements of the UL 94HF.
- Core: Aluminum, 9" x 9" x 15"
- Filters: 2 washable filters, 8.5" x 15" x 0.125"

Accessories

							
Eco-Touch™ Wall Control page 243	EDF 1 Electronic Control page 243	RTS 2 Electronic Timer page 243	EDF 7 Electronic Dehumidistat page 244	MGS Supply Grille page 240	MGE Exhaust Grille page 241	COM Plastic Hood page 244	FIDT Insulated Flex Duct page 246

VHR 1405R

Heat Recovery Ventilator



Fantech's most popular HRV for home projects that require demand higher efficiency, the VHR 1405R is designed for higher static pressure applications. The unit brings a continuous supply of fresh air into a home, while exhausting an equal amount of contaminated air. During winter, fresh incoming air is tempered by the heat that is transferred from the outgoing air so you save on energy costs, while during summer, the incoming air is pre-cooled if the house is equipped with an air cooling system. The VHR 1405R incorporates a unique and quiet internal recirculation defrost that does not depressurize the home during the defrost cycle.

During the defrost sequence, a motorized damper temporarily blocks the incoming fresh air stream so that the warm air from the house can circulate through the HRV. The exhaust blower shuts down and the supply blower switches into high speed to maximize the effectiveness of the defrost strategy. During this cycle, household odors from the kitchen or bathroom are prevented from entering the home and the unit will not create negative pressure.



- Airflow up to 152 cfm @ 0.4" P_s serves 2 to 5 bedrooms homes
- Compact top port design
- Internal recirculation defrost

Maximum continuous airflow

cfm \ in.wg	0.1" P _s	0.2" P _s	0.3" P _s	0.4" P _s	0.5" P _s	0.6" P _s	0.7" P _s	0.8" P _s	0.9" P _s	1.0" P _s
Net supply air flow	180	174	164	152	138	128	116	104	91	77
Gross supply air flow	184	174	162	151	141	130	119	106	92	79
Gross exhaust airflow	180	169	159	146	136	125	114	100	87	75

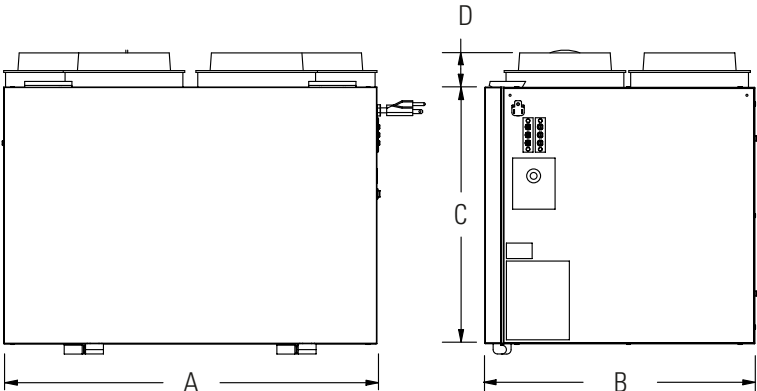
Energy performance

Heating	Supply temperature	Net airflow	Consumed power	Sensible recovery efficiency	Apparent sensible effectiveness	Latent recovery/moisture transfer
	°F	cfm	W	%	%	-
	32	85	70	62	76	- 0.02
	32	101	94	62	71	- 0.02
	32	159	140	60	68	- 0.01
	-13	85	93	63	76	0.00

Specification data

Model	Duct size	Voltage / phase	Rated power	Max amps	Average air-flow @ 0.4" P _s	Connection	Defrost cycle	Shipping weight	Item #	Class 1 or 2	List price
	inch	V / ~	W	A	cfm			lbs			USD
VHR 1405R	6	120 / 1	156	1.2	152	Top	Recirculation	52	40062	1	1,147.00

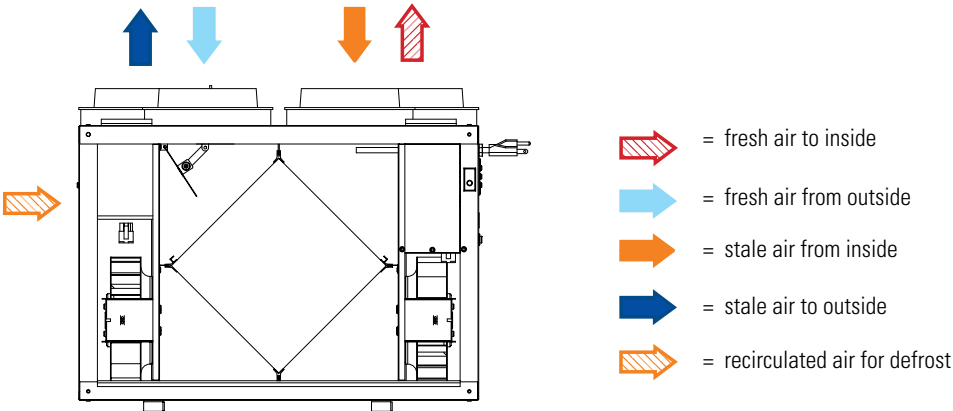
Dimensions



Model	A	B	C	D
VHR 1405R	23 3/4	17 3/16	16 1/4	2 3/16

Dimensional information is in inches. Clearance of 12" in front of the unit is recommended for removal of core.

Operation diagram



Specifications

- Model: VHR 1405R
- Total assembled weight: 45 lbs
- Cabinet: 24 ga. steel w/powder coat finish
- Motors: backward curved blades
- Supply & Exhaust ducts: 6"
- Mounting: suspended by chains and hooks
- Insulated with 1" aluminum foil-face high density polystyrene foam to prevent condensation and meet the requirements of the UL 94HF.
- Core: Aluminum, 9" x 9" x 15"
- Filters: 2 washable filters, 8.5" x 15" x 0.125"

Accessories

							
Eco-Touch™ Wall Control page 243	EDF 1 Electronic Control page 243	RTS 2 Electronic Timer page 243	EDF 7 Electronic Dehumidistat page 244	MGS Supply Grille page 240	MGE Exhaust Grille page 241	COM Plastic Hood page 244	FIDT Insulated Flex Duct page 246



VHR 2004

Heat Recovery Ventilator

Fantech's largest residential, full-featured HRV for budget conscious large home projects, the VHR2004 is designed for higher static pressure and higher airflow applications. During winter, fresh incoming air is tempered by the heat that is transferred from the outgoing air so you save on energy costs, while during summer, the incoming air is pre-cooled if the house is equipped with an air cooling system. The VHR 2004 is equipped with automatic defrost mechanism so you can use your HRV all year long.

A preset defrost sequence is activated at an outdoor air temperature of 23°F and lower. During the defrost sequence, the supply blower shuts down & the exhaust blower switches into high speed to maximize the effectiveness of the defrost strategy. The unit then returns to normal operation, and continues cycle.



- Airflow up to 201 cfm @ 0.4" P_s serves 7 bedroom homes
- Three speed ventilation control
- External dry contacts for quick connection of remote controls
- Compatible with Fantech's low-voltage controls

Maximum continuous airflow

cfm \ in.wg	0.1" P _s	0.2" P _s	0.3" P _s	0.4" P _s	0.5" P _s	0.6" P _s	0.7" P _s	0.8" P _s	0.9" P _s	1.0" P _s	1.1" P _s	1.2" P _s	1.3" P _s	1.4" P _s	1.5" P _s
Net supply air flow	243	230	218	201	182	166	151	137	125	112	98	88	78	66	55
Gross supply air flow	246	233	221	204	185	168	154	139	127	113	99	90	79	67	56
Gross exhaust airflow	254	244	225	215	199	184	168	151	136	118	108	93	83	75	63

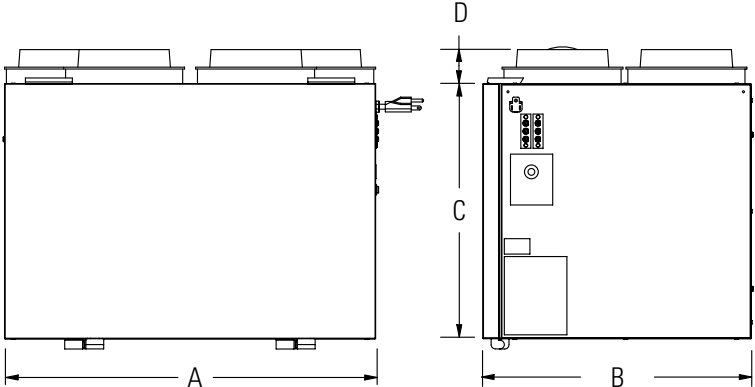
Energy performance

Heating	Supply temperature	Net airflow	Consumed power	Sensible recovery efficiency	Apparent sensible effectiveness	Latent recovery/moisture transfer
	°F	cfm	W	%	%	-
	32	65	108	62	77	0.06
	32	117	154	62	74	0.07
	32	191	246	60	71	0.00
	-13	129	154	59	79	0.00

Specification data

Model	Duct size	Voltage / phase	Rated power	Max amps	Average air-flow @ 0.4" P _s	Connection	Defrost cycle	Shipping weight	Item #	Class 1 or 2	List price
	inch	V / ~	W	A	cfm			lbs			USD
VHR 2004	6	120 / 1	228	1.8	201	Top	Fan shutdown	66	40061	1	1,165.00

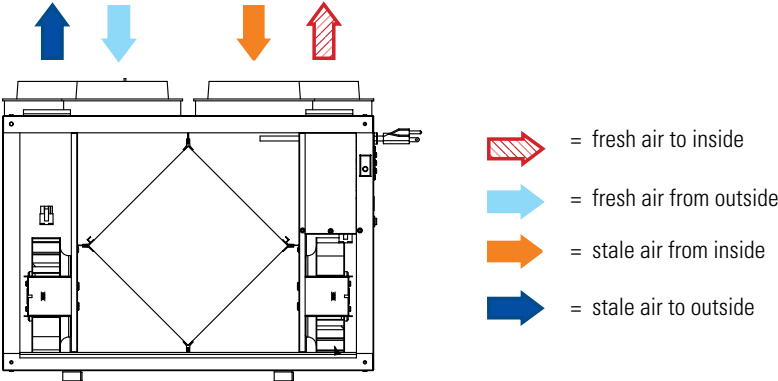
Dimensions



Model	A	B	C	D
VHR 2004	28	17 1/4	20 1/2	2 1/4

Dimensional information is in inches. Clearance of 12" in front of the unit is recommended for removal of core.

Operation diagram



Specifications

- Model: VHR 2004
- Total assembled weight: 55 lbs
- Cabinet: 24 ga. steel w/powder coat finish
- Motors: backward curved blades
- Supply & Exhaust ducts: 6"
- Mounting: ceiling suspended kit included
- Insulated with 1" aluminum foil-face high density polystyrene foam to prevent condensation and meet the requirements of the UL 94HF.
- Core: Aluminum, 12" x 12" x 15"
- Filters: 2 washable filters, 11.75" x 15" x 0.125"

Accessories



Eco-Touch™
Wall Control
page 243



EDF 1
Electronic Control
page 243



RTS 2
Electronic Timer
page 243



EDF 7
Electronic Dehumidistat
page 244



MGS
Supply Grille
page 240



MGE
Exhaust Grille
page 241



COM
Plastic Hood
page 244



FIDT
Insulated Flex Duct
page 246

VHR 2005R

Heat Recovery Ventilator



Fantech's larger residential, full-featured HRV for large home projects that demand higher efficiency, the VHR2005R is designed for higher static pressure and higher airflow applications. During winter, fresh incoming air is tempered by the heat that is transferred from the outgoing air so you save on energy costs, while during summer, the incoming air is pre-cooled if the house is equipped with an air cooling system. The VHR 2005R is equipped with a recirculation defrost mechanism so you can use your HRV all year long.

During the defrost sequence, a motorized damper temporarily blocks the incoming fresh air stream so that the warm air from the house can circulate through the HRV. The exhaust blower shuts down and the supply blower switches into high speed to maximize the effectiveness of the defrost strategy. During this cycle, household odors from the kitchen or bathroom are prevented from entering the home and the unit will not create negative pressure.



- Airflow up to 201 cfm @ 0.4" P_s serves 7 bedroom homes
- Three speed ventilation control
- Compatible with Fantech's low-voltage controls
- External dry contacts for quick connection of remote controls

Maximum continuous airflow

cfm \ in.wg	0.1" P _s	0.2" P _s	0.3" P _s	0.4" P _s	0.5" P _s	0.6" P _s	0.7" P _s	0.8" P _s	0.9" P _s	1.0" P _s	1.1" P _s	1.2" P _s	1.3" P _s	1.4" P _s	1.5" P _s
Net supply air flow	243	230	218	201	182	166	151	137	125	112	98	88	78	66	55
Gross supply air flow	246	233	221	204	185	168	154	139	127	113	99	90	79	67	56
Gross exhaust airflow	254	244	225	215	199	184	168	151	136	118	108	93	83	75	63

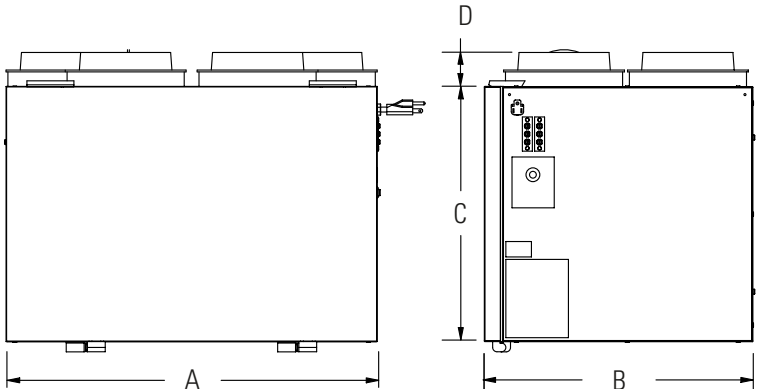
Energy performance

Heating	Supply temperature	Net airflow	Consumed power	Sensible recovery efficiency	Apparent sensible effectiveness	Latent recovery/moisture transfer
	°F	cfm	W	%	%	-
	32	65	108	62	77	0.06
	32	117	154	62	74	0.07
	32	191	246	60	71	0.00
	-13	126	141	64	81	0.01

Specification data

Model	Duct size	Voltage / phase	Rated power	Max amps	Average air-flow @ 0.4" P _s	Connection	Defrost cycle	Shipping weight	Item #	Class 1 or 2	List price
	inch	V / ~	W	A	cfm			lbs			USD
VHR 2005R	6	120 / 1	229	1.8	201	Top	Recirculation	66	40063	1	1,357.00

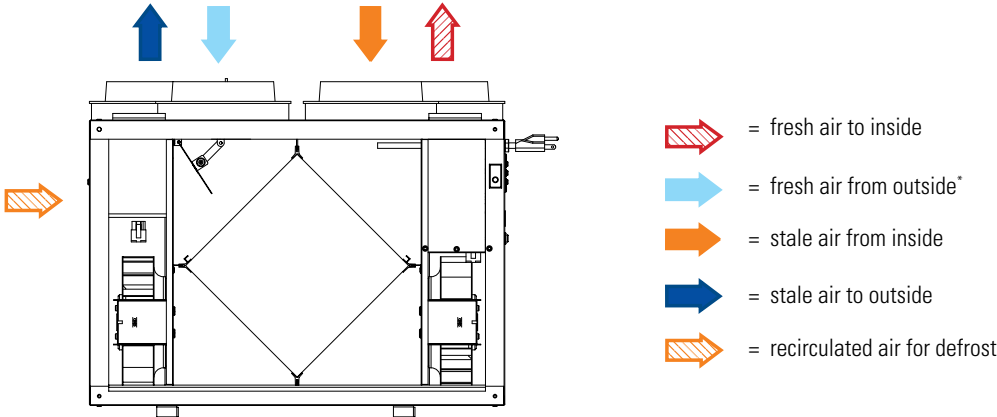
Dimensions



Model	A	B	C	D
VHR 2005R	28	17 1/4	20 1/2	2 1/4

Dimensional information is in inches. Clearance of 12" in front of the unit is recommended for removal of core.

Operation diagram



Specifications

- Model: VHR 2005R
- Total assembled weight: 45 lbs
- Cabinet: 24 ga. steel w/powder coat finish
- Motors: backward curved blades
- Supply & Exhaust ducts: 6"
- Mounting: ceiling suspended kit included
- Insulated with 1" aluminum foil-face high density polystyrene foam to prevent condensation and meet the requirements of the UL 94HF.
- Core: Aluminum, 12" x 12" x 15"
- Filters: 2 washable filters, 11.75" x 15" x 0.125"

Accessories



Eco-Touch™
Wall Control
page 243



EDF 1
Electronic Control
page 243



RTS 2
Electronic Timer
page 243



EDF 7
Electronic Dehumidistat
page 244



MGS
Supply Grille
page 240



MGE
Exhaust Grille
page 241



COM
Plastic Hood
page 244



FIDT
Insulated Flex Duct
page 246

* - Optional recirculation duct collar for defrost cycle

No matter what style of bathroom you are designing, one thing remains the same - the need for proper ventilation.



A Bathroom

with a quiet bath fan

As the trend to larger spa-like bathrooms continues to gain in popularity, the need for proper ventilation becomes even more important. Quick removal of moisture at the source will keep your beautiful bath free of mold and the effects of extreme moisture.

Fantech has developed its Premium Bath Fans so that one remote mounted fan motor can effectively ventilate several areas of the bathroom. Ceiling Grilles with or without Lights can be easily positioned over showers, whirlpool tubs, steam showers, toilet and vanity.

NEW

1. PB 270L-2 / \$443.-**Premium Bathroom Exhaust Fan with Dual Grilles and LED Bulbs Lights**

120V, 270 cfm, 72W at 0.2" Ps,
Duct diameter (inlet/outlet): 4" and 6" ducts.
See page 77.

2. VT 20M / \$62.-**Main Control**

120V, 20 min boost
The ultimate programmable 20 minute boost timer. Features easy-set slide adjustment for fan speed and run-time per hour. Controls are hidden under the cover plate. Meets ASHRAE 62.2. See page 242.

3. FC 6 / \$27.-**Mounting Clamps**

Made from galvanized sheet steel and fitted with an 1/8" neoprene lining, which suppresses vibration and ensures a tight fit. Clamps are secured together by two screws. Clamps come in a pair. See page 247.

4. RC 6 / \$100.-**Roof Cap**

With damper flap closure, duct connection and screened exhaust opening. See page 246.

5. FIDT 4 / \$35.-**Insulated Flex Duct**

Flexible round insulated duct. The duct is UL listed. Available in 25-foot lengths. See page 246.

NEW PB270L-2 1

Premium Bathroom Exhaust Fan with Dual Grilles & LED Bulbs

\$443.-**FIDT 4 5**

Flexible Duct

\$35.-

2

VT 20M
Main Control

\$62.-

4 **RC 6**
Roof Cap

\$100.-

3 **FC 6**
Mounting Clamps

\$27.-

FY 644
Y-adapter

● Part of a Premium Bath Fan kit

● Recommended accessories

A simple tip to help you size a fan for your bathroom

IF YOUR BATHROOM IS 100 SQ.FT. OR SMALLER

According to the guidelines of HVI (Home Ventilating Institute) baths that are 100 sq.ft. or smaller require 1 CFM per square foot of bathroom or a minimum 50 CFM of fresh airflow. To find the square footage simply multiply the length of the bathroom by the width. For proper airflow in typical installations (when duct losses aren't calculated), use the 0.4" P_s (static pressure) rating point for correct fan selection.

IF YOUR BATHROOM IS OVER 100 SQ.FT.

Ventilation for baths over 100 sq.ft. is calculated based on the fixtures in the bath. Allow 50 CFM for each standard toilet, shower or tub. Whirlpool and jetted tubs are calculated at 100 CFM. Add up the CFMs for all fixtures and you will have calculated the total CFMs required.

We recommend that steam showers use a separate fan on a timer so that the fan may be shut off during shower use and then run afterward to dry the shower stall.

PB Series

Premium Bath Fans - Single Grilles

A small-scale grille mounts in the ceiling while the fan motor mounts in a remote location away from the living area. The result is a quiet yet powerful combination that is sure to protect your home from the damaging effects of moisture, steam and mold. PB fans are designed for intermittent or continuous operation to meet **ASHRAE Standard 62.2**.

- **PB 110, PB 190 Premium Bath Fan with one Ceiling Grill**
110 CFM (PB 110) or 190 CFM (PB 190) fan, one ceiling grille and grille housing with damper. Uses 4" (PB 110) or 6" (PB 190) duct. ENERGY STAR® qualified.



- **PB 110F Premium Bath Fan with Fluorescent Light**
110 CFM fan, one ceiling grille with light, grille housing with damper, and 14W, instant-on, fluorescent bulb. Uses 4" duct. UL Listed for wet locations.



- **PB 110F-ES ENERGY STAR® Premium Bath Fan with Fluorescent Light**
110 CFM fan, one ceiling grille with light, grille housing with damper, and 15W, instant-on, fluorescent bulb. Uses 4" duct. UL Listed for damp locations.



- **PB 110H Premium Bath Fan with Dimmable Halogen Light**
110 CFM fan, one ceiling grille with light, grille housing with damper and a 50W halogen bulb. Uses 4" duct. UL Listed for wet locations.



- **PB 110L Premium Bath Fan with Dimmable LED Light**
110 CFM fan, one ceiling grille with a 7W LED light and grille housing with damper. Uses 4" duct. Grille housing fits between 2 x 8 construction. UL Listed for damp locations.



PB 110F



NO
sones



PB 190

NO
sones

NEW

NEW

NEW

NEW

Specification data

Model	Duct size	Rated power @ 0.2" P _s	Voltage / phase	0.2" P _s	0.4" P _s	CFM per Watt @ 0.2" P _s	ENERGY STAR® Qualified	Bulb	Shipping weight	Item #	Class 1 or 2	List price
	inch	W	V / ~	cfm*					lbs			USD
PB 110	4	21	120 / 1	110	83	5.5	Yes	-	9	40568	1	202.00
PB 110F	4	23	120 / 1	110	80	4.78	-	14W Fluorescent	11	40569	1	296.00
PB 110F-ES	4	23	120 / 1	110	80	4.78	Yes	15W Fluorescent	8	47567	1	296.00
PB 110H	4	23	120 / 1	110	80	4.78	-	50W Halogen	10	40570	1	282.00
PB 110L	4	23	120 / 1	110	80	4.78	-	7W Dimmable LED	10	44917	1	271.00
PB 190	6	69	120 / 1	200	152	3.0	Yes	-	14	40571	1	230.00

Need a replacement bulb? Order PBB7 for PB 110L, PBB14 for PB 110F-ES; PBB15 for PB 110F-ES, PBB50 for PB 110H. Learn more on page 240

*Performance data reflects fan only

PB Series

Premium Bath Fans - Dual Grilles

The key to proper ventilation in bathrooms is spot ventilation at the source.

Premium Bath fans can effectively ventilate several areas of the bath or two different bathrooms. Small 7" ceiling grilles (with or without lights) can be easily positioned directly over showers, whirlpool tubs, steam showers, toilet or vanity. The fan motor is installed away from the living area for super quiet operation. PB fans are designed for intermittent or continuous operation to meet **ASHRAE Standard 62.2**.

- **PB 270-2, PB 370-2 Premium Bath Fan with dual Ceiling Grilles**
270 CFM (PB 270-2) or 370 CFM (PB 370-2) fan, two ceiling grilles, two grille housings with dampers and Y-adapter (4x4x6). Uses 4" and 6" duct. Energy Star® qualified.



- **PB 270F-2 Premium Bath Fan with dual Grilles and Fluorescent Lights**
270 CFM fan, two ceiling grilles with lights, two grille housings with dampers, two 14W instant-on fluorescent bulbs and Y-adapter (4x4x6). Uses 4" and 6" duct. UL Listed for wet locations.



- **PB 270F-2ES ENERGY STAR® Premium Bath Fan with dual Grilles and Fluorescent Lights**
270 CFM fan, two ceiling grilles with lights, two grille housings with dampers, two 15W instant-on fluorescent bulbs and Y-adapter (4x4x6). Uses 4" and 6" duct. UL Listed for damp locations.



- **PB 270H-2 Premium Bath Fan with dual Grilles and Dimmable Halogen Lights**
270 CFM fan, two ceiling grilles with lights, two grille housings with dampers, two 50W halogen bulbs and Y-adapter (4x4x6). Uses 4" and 6" duct. UL Listed for wet locations.



- **PB 270L-2 Premium Bath Fan with dual Grilles and Dimmable LED Lights**
270 CFM fan, two ceiling grilles with a 7W LED light, two grille housings with dampers and Y-adapter (4x4x6). Uses 4" and 6" duct. UL Listed for damp locations.



PB 270H-2



PB 370-2

Specification data

Model	Duct size	Rated power @ 0.2" P _s	Voltage / phase	0.2" P _s	0.4" P _s	CFM per Watt @ 0.2" P _s	ENERGY STAR® Qualified	Bulb	Shipping weight	Item #	Class 1 or 2	List price
	inch	W	V / ~	cfm*					lbs			USD
PB 270-2	4/6	74	120 / 1	270	232	3.75	Yes	-	17	40572	1	289.00
PB 270F-2	4/6	78	120 / 1	270	232	3.75	-	14W Fluorescent	19	40573	1	443.00
PB 270F-2ES	4/6	78	120 / 1	270	232	3.75	Yes	15W Fluorescent	15	47568	1	443.00
PB 270H-2	4/6	78	120 / 1	270	198	3.75	-	50W Halogen	17	40574	1	413.00
PB 270L-2	4/6	78	120 / 1	270	232	3.75	-	7W Dimmable LED	18	44918	1	443.00
PB 370-2	6	122	120 / 1	370	317	3.1	Yes	-	21	45433	1	355.00

Need a replacement bulb? Order PBB7 for PB 270L-2, PBB14 for PB 270F-2; PBB15 for PB 270F-2ES, PBB50 for PB 270H-2. Learn more on page 240.

*Performance data reflects fan only

PB Series

Combination Premium Bath Fans - Dual Grilles

Premium Bath Combination Units. Combo units include one exhaust fan, one lit and one unlit ceiling grille. A single model number provides the exact bath fan components needed for a dual location exhaust system.

Want to add an additional exhaust location? Just choose an additional ceiling grille with or without a light to turn your one or two location bath fan into a powerful multipoint system. PB fans are designed for intermittent or continuous operation to meet **ASHRAE Standard 62.2**.



PB 270FV-2



PB 270HV-2

- PB 270FV-2 Premium Bath Fan with one Ceiling Grille and Fluorescent Light and one Vent-Only Ceiling Grille**
 270 CFM fan, one ceiling grille with light, one vent-only ceiling grille, two grille housings with dampers, one 14 watt instant-on fluorescent bulb and Y-adapter (4x4x6). Uses 4" and 6" duct. UL Listed for wet locations.
- PB 270FV-2ES ENERGY STAR® Premium Bath Fan with one Ceiling Grille and Fluorescent Light and one Vent-Only Ceiling Grille**
 270 CFM fan, one ceiling grille with light, one vent-only ceiling grille, two grille housings with dampers, one 14 watt instant-on fluorescent bulb and Y-adapter (4x4x6). Uses 4" and 6" duct. UL Listed for damp locations.



- PB 270HV-2 Premium Bath Fan with one Ceiling Grille with Dimmable Halogen Light and one Vent-Only Ceiling Grille**
 270 CFM fan, one ceiling grille with light, one vent-only ceiling grille, two grille housings with dampers, one 50W halogen bulb and Y-adapter (4x4x6). Uses 4" and 6" duct. UL Listed for wet locations.



- PB 270LV-2 Premium Bath Fan with one Ceiling Grille with Dimmable LED Light and one Vent-Only Ceiling Grille**
 270 CFM fan, one ceiling grille with light, one vent-only ceiling grille, two grille housings with dampers, one 7W LED bulb and Y-adapter (4x4x6). Uses 4" and 6" duct. UL Listed for damp locations.



Specification data

Model	Duct size	Rated power @ 0.2" P _s	Voltage / phase	0.2" P _s	0.4" P _s	CFM per Watt @ 0.2" P _s	ENERGY STAR® Qualified	Bulb	Shipping weight	Item #	Class 1 or 2	List price
	inch	W	V / ~	cfm*					lbs			USD
PB 270FV-2	4/6	78	120 / 1	270	232	3.75	-	14W Fluorescent	18	40575	1	357.00
NEW PB 270 FV-2ES	4/6	78	120 / 1	270	232	3.75	Yes	15W Fluorescent	14	47569	1	357.00
PB 270HV-2	4/6	78	120 / 1	270	232	3.75	-	50W Halogen	18	40576	1	347.00
NEW PB 270 LV-2	4/6	78	120 / 1	270	232	3.75	-	7W Dimmable LED	18	44919	1	377.00

Need a replacement bulb? Order PBB7 for PB 270LV-2, PBB14 for PB 270FV-2, PBB15 for PB 270FV-2ES, PBB50 for PB 270HV-2. Learn more on page 240.

*Performance data reflects fan only

Ventilation solution for remodeling

BFRK Series

Bath Fan Retrofit Kit

At Fantech we believe that the noise of the fan should not make a statement in your bathroom. It should be unobtrusive, work quietly and efficiently. Convert your existing noisy exhaust fan with our simple, easy to install, simple to maintain bathroom retrofit kit. That's simply better™.

Fantech`s retrofit kit includes everything you need:

- 110 cfm ENERGY STAR® rated inline fan with a mounting bracket
- VT 20M Main Control
- Insulated 4" flex duct
- Duct adapters 3" to 4"
- Roll of duct tape
- Electrical wire & wire connectors
- Cable restraints

#412022, 11lbs, Class 1, \$227.-



Scan this code to watch the Installation Video on the YouTube channel **fantechusa**

PBW Series

Exterior Mount Bath Fans

We have expanded our Premium Bath Fan selection to include a trio of models powered by exterior mounted wall fans. An excellent alternative when space is an issue or direct venting to the outside is required. Ideal for homes, condominiums and apartment complexes. Choose lit or unlit models.

- **PBW 110 Exterior Wall Mount Bath Fans**
120 CFM fan, one ceiling grille and grille housing with damper.



- **PBW 110F Exterior Wall Mount Bath Fans with Fluorescent Light**
120 CFM fan, one Ceiling Grille, one grille housing with damper and one 14W instant-on fluorescent bulb. UL Listed for wet locations.



- **PBW 110H Exterior Wall Mount Bath Fans with Dimmable Halogen Light**
120 CFM fan, one Ceiling Grille with Light, grille housing with damper and 50W halogen bulb. UL Listed for wet locations.



PBW 110H

Specification data

Model	Duct size	Rated power @ 0.2" P _s	Voltage / phase	0.2" P _s	0.4" P _s	CFM per Watt @ 0.2" P _s	ENERGY STAR® Qualified	Bulb	Shipping weight	Item #	Class 1 or 2	List price
	inch			W	V / ~							
PBW 110	4	19	120 / 1	112	83	6.3	Yes	-	12	412256	1	241.00
PBW 110H	4	19	120 / 1	112	83	6.3	-	50W Halogen	12	412257	1	311.00
PBW 110F	4	19	120 / 1	112	83	6.3	-	14W Fluorescent	12	412259	1	324.00

Need a replacement bulb? Order PBB14 for PBW 110F or PBB50 for PBW 110H. Learn more on page 240.

Accessories



PBF / PBH / PBV
Expansion Grille
page 240



PBB
Replacement Bulbs
page 240



FC
Mounting Clamps
page 247



FIDT
Insulated Flex Duct
page 246



RSK
Backdraft Damper
page 246



FY
Y-Connector
page 247



VT 20M
Main Control
page 242



RC
Roof Cap
page 246

FQ Series

Quiet Ventilating Fans



The FQ Series exhaust fans and fan lights provide remarkably quiet, energy efficient ventilation for baths, powder rooms and other areas. Super quiet with as low as < 0.3 sones sound rating. Air performances of 80 to 110 CFM. Fans are designed for intermittent or continuous operation to meet **ASHRAE Standard 62.2**.

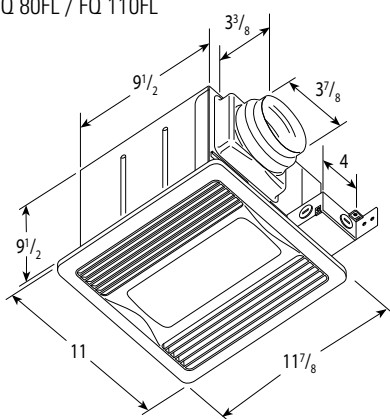
Unlit models are ENERGY STAR® qualified, Title 24 compliant and meet the Washington State Ventilation and Indoor Air Quality Code.

- Airflows of 80 to 110 cfm
- Low profile grille fastened with torsion springs
- Thermal overload protection
- Title 24 Compliant
- UL Listed for use over a tub/shower with a GFCI branch circuit wiring
- The Home Ventilating Institute has certified all models for sound and air performance.

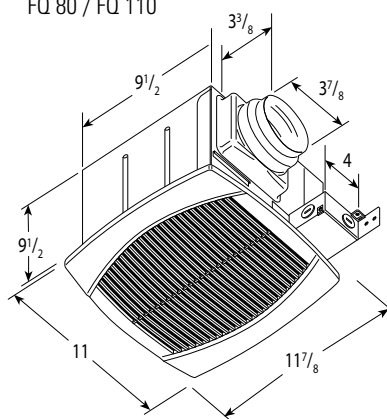


Dimensions

FQ 80FL / FQ 110FL



FQ 80 / FQ 110



Dimensional information is in inches.

Accessories



FQ-FD
Radiation Damper
page 240



HS
Louvered Shutter
page 241



FD 60EM
Bathroom Timer
page 242



FLD 60
Bathroom Switch
page 242

Specification data

Model	Duct ¹ size	Rated power	Voltage / phase	0.1" P _s	0.2" P _s	0.3" P _s	0.4" P _s	Lamp power (Main / Night)	Sones	Shipping weight	Item #	Class 1 or 2	List price
	inch			cfm									
FQ 80	4	25	120 / 1	80	68	56	43	-	< 0.3	12	483737	1	136.00
FQ 80FL	4	25	120 / 1	80	73	60	47	26 / 4	0.4	14	483739	1	195.00
FQ 110	4	30	120 / 1	110	100	85	70	-	0.7	13	483738	1	147.00
FQ 110FL	4	30	120 / 1	110	100	85	70	26 / 4	1.3	14	483740	1	204.00

Performance shown is for installation type D - Ducted inlet, Ducted outlet. Performance is based on actual speed of test. Performance ratings do not include the effects of appurtenances in the airstream.

¹ Duct connections are 1/8" smaller than duct size.

**Fresh and
clean... even
when it isn't
laundry time.**



A Residential Laundry

with a washer and a dryer


Fantech inline Dryer Exhaust Duct Power Ventilators (DEDPV), (previously known as Dryer Boosters) are specially designed to solve problems caused by long duct runs on clothes dryers. Long duct runs with multiple elbows can cause extended drying time as well as lint and moisture build up in the duct. Lint build-up is a common cause of dryer fires.

How do they work?

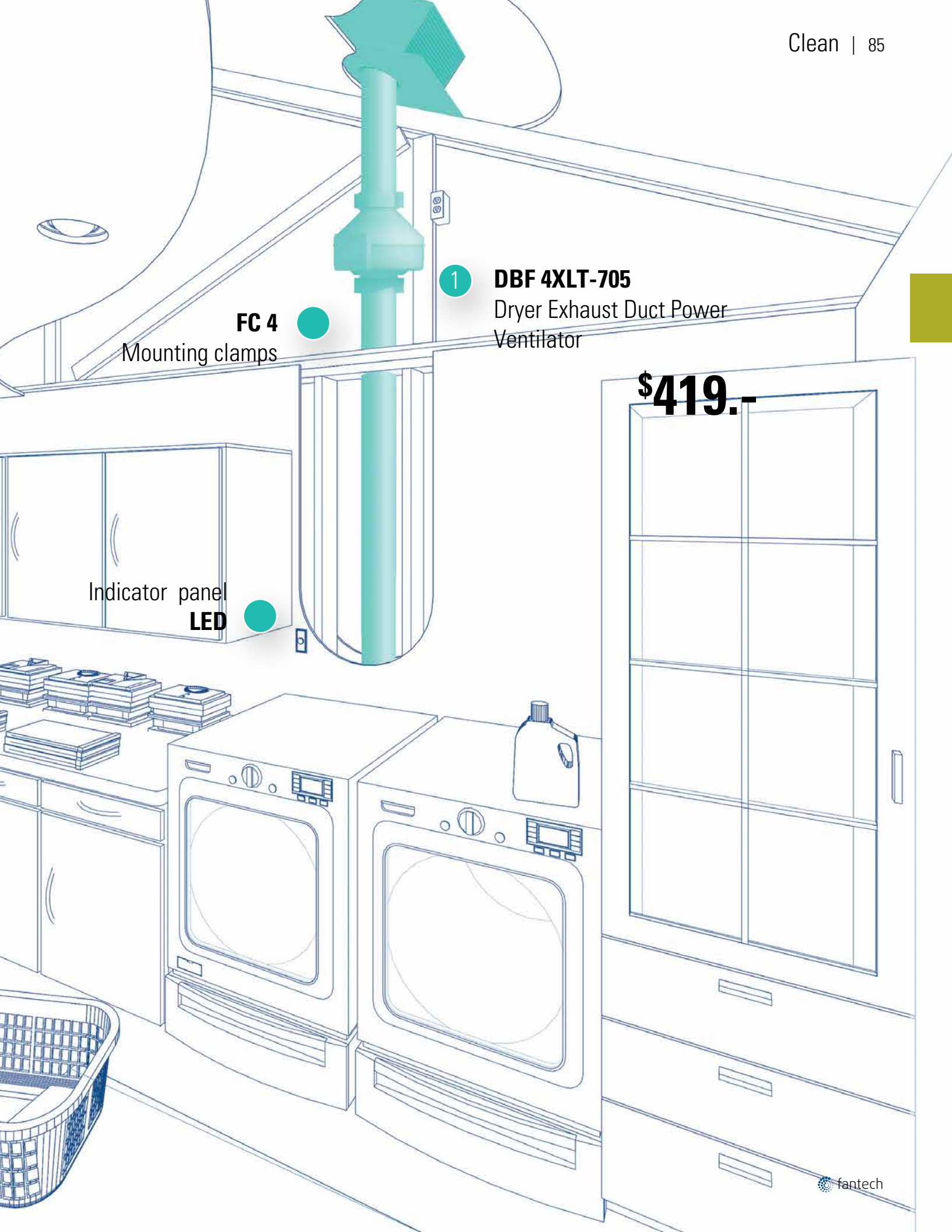
When the dryer starts, Fantech's patented pressure sensing switch automatically turns on the DEDPV, which moves the warm, moist air and lint out of the home. The fan maintains a velocity of 1200 FPM to keep lint airborne and expelled.

 Part of a Dryer Exhaust Fan kit

1. DBF 4XLT-705 / \$419.- Dryer Exhaust Duct Power Ventilator (DEDPV)

120V, 170 cfm, 83W, 0.73A
max useable cfm @ = 0.78"Ps 105cfm.
Duct diameter (inlet/outlet): 4" 

The system includes 2 pair of mounting clamps w/cleanout and a wall mount low voltage LED indicator panel, which features an LED light that indicates to the homeowner that the fan is working properly. The indicator panel will alert homeowners of problems such as no power, blocked duct, locked motor rotor and low speed conditions. A 50 foot control cable is included to connect the indicator panel to the DEDPV. The unit can be used to effectively exhaust a 4 inch dryer duct run up to 130 feet. See page 87.



FC 4
Mounting clamps

1 **DBF 4XLT-705**
Dryer Exhaust Duct Power
Ventilator

Indicator panel
LED

\$419.-

DBF 4XLT /-705, DBF 4XL, DBF 110

Dryer Exhaust Fans



Dryer Exhaust Duct Power Ventilator (DEDPV)
DBF 4XLT-705

The Fantech dryer exhaust fans have been specially designed to solve the problems caused by long duct runs on clothes dryers. According to dryer manufacturers and some local building codes, booster fans should be added in the dryer duct run when the length of the duct exceeds 24 feet with no bends, 20 feet with one bend or 15 feet with two bends.

When the dryer is on, Fantech's patented pressure sensing switch automatically turns the booster fan on. The warm, moist air in the dryer duct is exhausted out of the building quickly. The dryer booster fan monitors the status of the dryer and will turn itself off when the dryer stops. Wall mounted indicator panel with LED display lets homeowners know that fan is fully operational.

The **DBF 4XLT-705** is the only UL-705 DEDPV supplement approved* dryer booster available in the market today. It features an upgraded pressure sensing circuit, LED indicator display panel, temperature limit switch, short duct junctions, and (4) 4" fast clamps for easy installation and maintenance. If UL approval is a concern, accept no substitutes.

DBF 4XL and **DBF 4XLT** are the newest dryer booster fans with galvanized steel housing. Backward inclined blades of the motorized impeller allow lint to pass through the fan. The unit can be used to effectively boost dryer exhaust in duct runs up to 130 feet.

The **DBF 110** dryer booster is engineered of thermoplastic resin and features an integrated automatic pressure switch. It can be used on dryer duct runs up to 108 feet. The fan's backward inclined blades allow lint to pass through the fan. The fan can be mounted at any angle at any point along the duct work and straight-through air flow design allows easy installation.

- The fans can be mounted in any angle at any point along the duct work
- LED light on wall panel lets homeowners know fan is working properly



DBF 4XLT



DBF 4XL

DBF 110



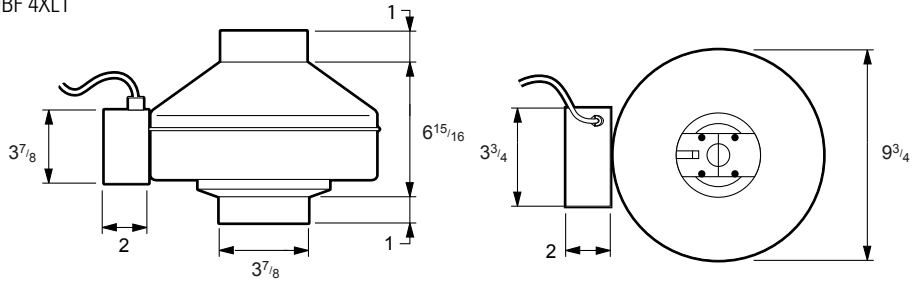
Specification data

Model	Duct size	Rated power	Voltage / phase	Max. amps	0.0" P _s	0.2" P _s	0.4" P _s	0.6" P _s	0.8" P _s	1.0" P _s	Shipping weight	Item #	Class 1 or 2	List price
	inch	W	V / ~	A	cfm									
DBF 4XLT-705	4	83	120 / 1	0.73	170	150	134	119	103	86	10	46005	1	419.00
DBF 4XLT	4	83	120 / 1	0.73	170	150	134	119	103	86	10	40275	1	329.00
DBF 4XL	4	83	120 / 1	0.73	170	150	134	119	103	86	10	40095	1	259.00
DBF 110	4	80	120 / 1	0.72	167	150	133	113	88	63	9	411347	1	259.00

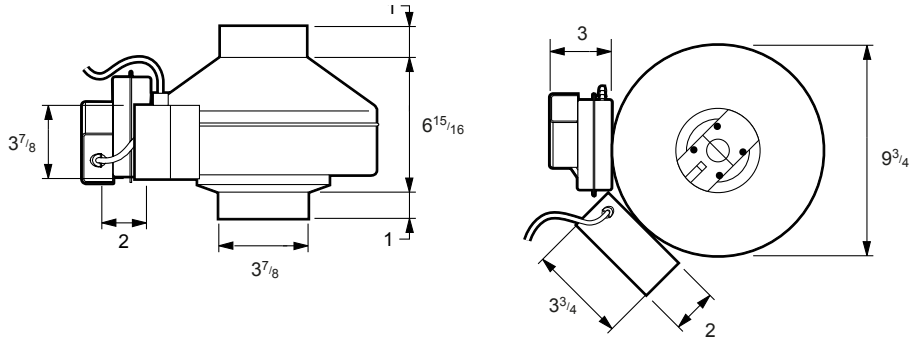
Per HVI's Certified rating program, charted air flow performance has been derated by a factor based on actual test results and the certified rate at 0.2 inches WG.
* approved for use with Electric dryers only. UL exclusive as of the date of this printing.

Dimensions

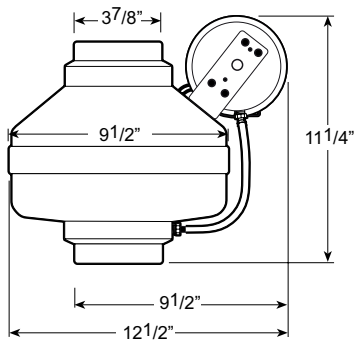
DBF 4XLT



DBF 4XL



DBF 110



Dimensional information is in inches.

Accessories



FC
Mounting Clamp
page 247



DBLT4W
Lint Trap
page 247

MORE THAN JUST A DRYER BOOSTER FAN..

The DBF4XLT-705 Dryer Exhaust Duct Power Ventilator allows your dryer to work efficiently in duct runs up to 130 feet and meets the new UL requirements.

All fans are equipped with an upgraded pressure sensing circuit, LED indicator display panel, temperature limit switch, and fast clamps for easy installation and maintenance.



IT IS UL LISTED

DBF 4XLT-705

Dryer Exhaust Duct Power Ventilator (DEDPV)

\$419.-



**Attached garages
are an obvious
source of
pollution.**



\$19.-

(installed on the interior-wall)

Contour Exhaust Grille

CG 4



\$209.-

Exterior-Mount Fan

RVF 4

1



Car garage

A source of pollution

From unhealthy odors and gasses from cars and mechanical equipment to stored garden chemicals, attached garages are a source of pollution.

If your mechanical equipment is in your garage, any exposed duct work that is not sealed properly, could introduce unhealthy pollutants into your home. Even when your mechanical equipment system isn't in the garage you are probably introducing pollutants into your home when you open the door to the home after parking your car.

Installing and running a RVF 4 through the wall will ventilate the pollutants directly outside, ensuring a safer healthier garage and home. The fan can be operated from a timer, CO₂ sensor, motion sensor or thermostat. Running the ventilation continuously is recommended by LEED (Leadership in Energy Efficient Design) and they award 1 LEED point for having garage ventilation, (Credit 10.3).

It must run continuously or be designed to run with an automatic timer, light switch, occupant sensor, garage door opening/closing mechanism, carbon monoxide sensor or equivalent. The timer must be set to provide at least 3 air changes when the fan is on.

All that is required is a RVF 4 fan with a small grille such as the CG 4 on the inside.

1. RVF 4 / \$209.- Exterior-Mount Fan

120, 120 cfm @ 0.1" P_s, 19W, max P_s = 0.6".
Exhaust-air fan for installation on an external wall. All ambient noise is kept outside. Galvanized steel housing, powder-coat finish. See page 94.

2. CG 4 / \$19.- Contour Exhaust Grille (not shown)

Manufactured of flame retardant, polypropylene that resist yellowing. Galvanized metal collars. See page 241.

RVF Series

Exterior-Mount Fan



The RVF models are exhaust-air fans for installation on external walls. The unit consists of an impeller with backward-curved blades and a casing in galvanized sheet steel with a white powder-paint coating. When installed on an exterior wall, all ambient noise is kept outside.

Get Connected With Ease

These fans are lightweight, compact, and simple to install. No installation extras are required. Just mount the fan to the wall and connect the electrical supply to the conveniently located terminal box. The housing is removable for immediate access to the motor and wiring connections.

- Galvanized steel housing features powder-coat finish
- External rotor motor with totally enclosed design allows fan to operate in high moisture, lint and dust laden air
- Permanent split capacitor motors feature automatic reset thermal overload protection and sealed ball bearings for long life and maintenance-free operation
- Motor and impeller are designed as one integral unit, allowing for excellent motor heat dissipation, even at low RPM
- Permanently lubricated sealed ball bearings

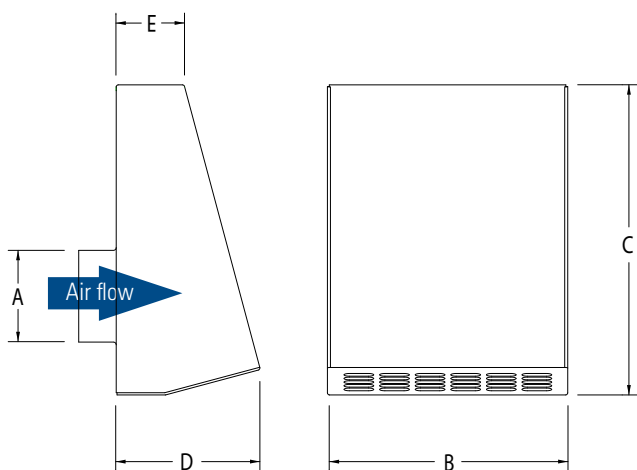


Specification data

Model	Duct size	Rated power	Voltage / phase	Max. amps	0.0" P _s	0.1" P _s	0.2" P _s	0.4" P _s	0.6" P _s	0.8" P _s	1.0" P _s	1.5" P _s	Shipping weight	Item #	Class 1 or 2	List price
	inch	W	V / ~	A	cfm											
RVF 4	4	19	120 / 1	0.17	134	120	112	83	37	-	-	-	8	40040	1	209.00
RVF 4XL	4	92	120 / 1	0.84	193	180	172	154	136	118	91	-	10	40041	1	221.00
RVF 6	6	92	120 / 1	0.84	242	220	204	177	150	123	68	-	10	40042	1	230.00
RVF 6XL	6	149	120 / 1	1.46	381	360	346	315	285	258	213	64	14	40043	1	307.00
RVF 8XL	8	151	120 / 1	1.42	435	410	392	348	312	282	235	102	14	40044	1	350.00

Per HVI'S Certified rating program, charted air flow performance has been derated by a factor based on actual test results and the certified rate at 0.2 inches WG. RVF Series performance is shown with ducted inlet. This product is not UL listed for dryer exhaust.

Dimensions



Model	A [†]	B	C	D	E
RVF 4	3 7/8	10 1/4	13	6	2 3/4
RVF 4XL	3 7/8	10 1/4	13	6	2 3/4
RVF 6	5 7/8	10 1/4	13	6	2 3/4
RVF 6XL	5 7/8	14 1/4	17	6	2 3/4
RVF 8XL	7 7/8	14 1/4	17	6	2 3/4

Dimensional information is in inches.
 † Duct connections are 1/8" smaller than duct size.

Accessories



CG
Contour Grille
page 241



FC
Mounting Clamps
page 247



DB10¹
Pressure Switch
page 247



RSK
Backdraft Damper
page 246



FEL
Elbow
page 244

¹ - for dryer booster applications

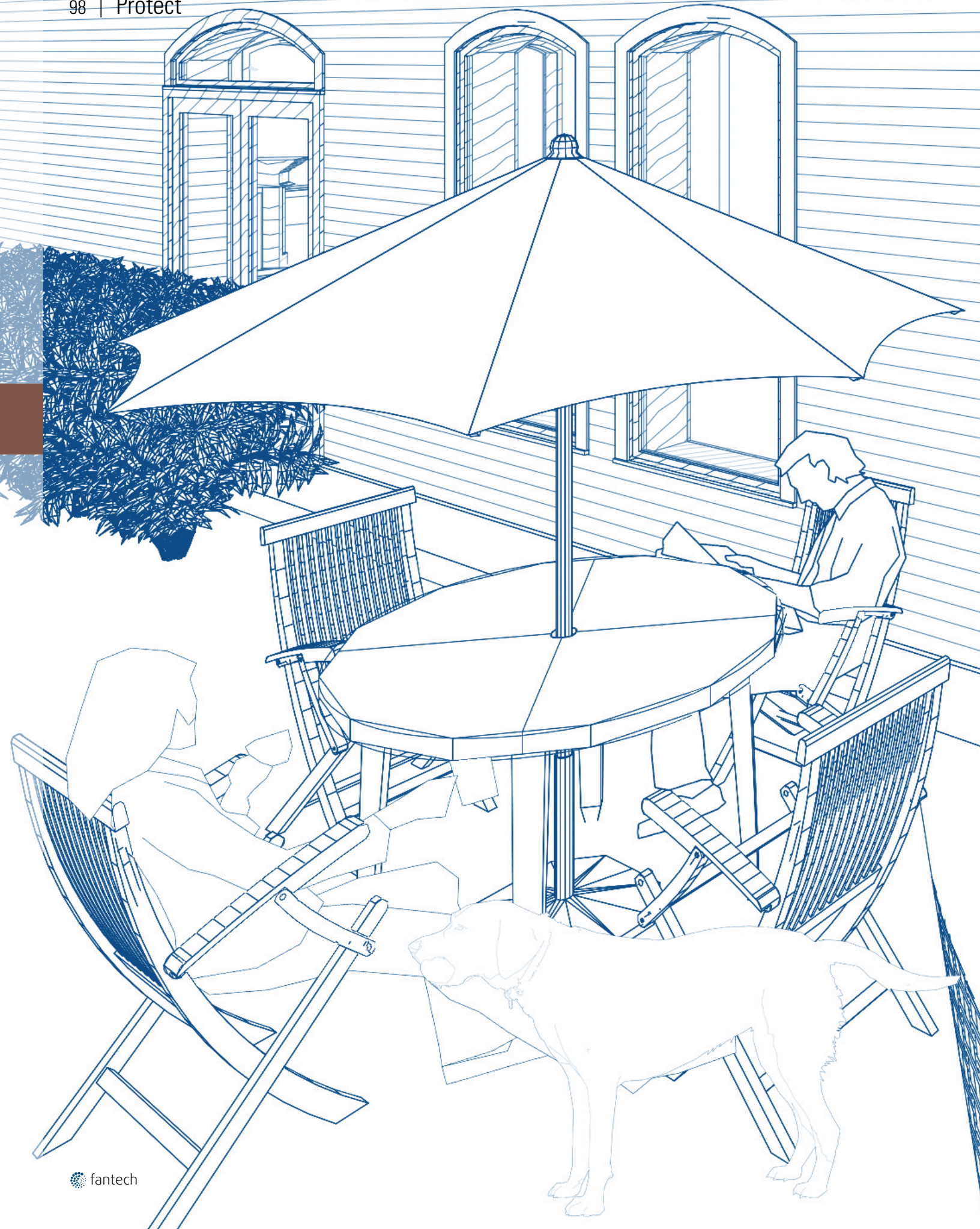
Radon is a health hazard with a simple solution.

\$272.-

Slimline Radon Fan
HP 190SL

© Systemair Inc. All rights reserved.





Family home with a radon fan

Radon is everywhere! You can't see radon and you can't smell it or taste it, but it may be a problem in your home. According to the EPA radon is estimated to cause 21,000 lung cancer deaths per year!

Radon comes from the natural (radioactive) breakdown of uranium in soil, rock and water and get's into the air you breathe. Radon is all over the US in every type of building, however you and your family are most likely to get your greatest exposure at home, where you spend most of your time.

Testing is the only way to know if you and your family are at risk. Testing is easy and inexpensive; most hardware stores carry Radon Test Kits. The EPA recommends that you mitigate your home if the radon level is above 4 Picocuries per liter (4pCi/L).

The good news is that reducing the levels is not hard but requires the technical knowledge of a qualified mitigator. Check with your state Radon office for names of qualified or state certified radon contractors in your area.

For over 30 years Fantech a leader in the ventilation industry have been providing Radon mitigation fans for family homes. You can trust Fantech to provide a ventilation solution for your Radon problem.

1. HP 190SL / \$272.-

Radon Fan

115V, 160 cfm, 80W, 0.78A, max P_s=2.15"

Duct diameter (inlet/outlet): 4"

The fan and discharge pipe are located on surface of the exterior wall eliminating need for elbows.

The fan connects directly to a low pressure pipe opening on the exterior wall. See pages 100-104.

HP 190SL ①

Slimline Radon Fan

\$272.-



HP Series

Slimline Radon Fans

Don't put your reputation at stake by installing a fan you know won't perform like a Fantech fan! For over 30 years, Fantech has manufactured quality ventilation equipment for Radon Applications. Fantech is the fan Radon contractors have turned to in over 1,000,000 successful Radon installations worldwide.

HP 190SL

This radon fan is engineered specifically for the demanding environments of radon mitigation applications. Low profile, wall-mount design minimizes installation time. Fan and discharge pipe are located on surface of exterior wall eliminating need for elbows. Fan connects directly to low pressure pipe opening on exterior wall.

- Constructed from durable, UV resistant polycarbonate
- Factory sealed, no leak design
- Integral condensate bypass
- Direct wall-mount with integral vibration isolation
- Cabinet is paintable to match external décor. And includes masking seal for non-paintable logo medallion

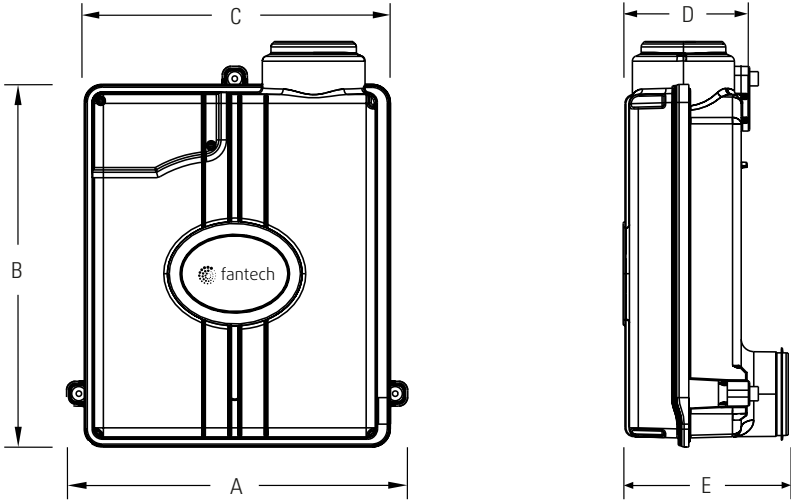


Specification data

Model	Rated power	Voltage / phase	Max. amps	0.0" P _s	0.5" P _s	0.75" P _s	1.0" P _s	1.25" P _s	1.5" P _s	1.75" P _s	2.0" P _s	Max P _s	Shipping weight	Item #	Class 1 or 2	List price
	W	V / ~	A	cfm								in.wg	lbs			USD
HP 190SL	88	120 / 1	0.78	158	133	117	103	90	76	57	27	2.14	12	40564	1	272.00

The performance shown in this brochure are representative of the actual test results recorded at Texas Engineering Experiment Station/Energy Systems Lab, a recognized testing authority for HVI. Testing was done in accordance with AMCA Standard 210-85 and HVI 916 Test Procedures. Fan is attached to PVC pipe using flexible coupling. For 4" PVC pipe use Indiana Seals #156-44, Pipeconx PCX 56-44 or equivalent.

Dimensions



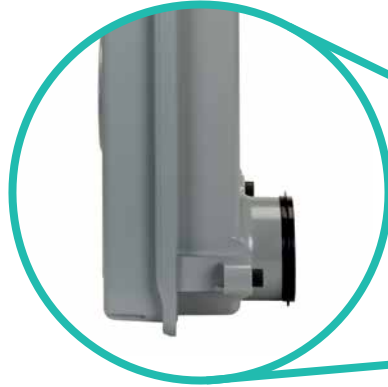
Model	A	B	C	D	E
HP 190 SL	14 15/16	15 7/8	13 7/8	5 1/16	7 1/8

Dimensional information is in inches.

Top ten reasons to choose HP 190SL Slim Radon Fan

1. Only 5 inches deep

Low profile, wall-mount design minimizes installation time. The fan and discharge pipe are located on surface of the exterior wall eliminating the need for two 45° elbows.



2. Electrical box condensate drain

Specifically designed to prevent moisture buildup from condensation.



10. Conduit connection

Side conduit connection for easy installation and allows for an aesthetically pleasing placement.



9. Housing

Manufactured from durable UV resistant polycarbonate - UL approved material for outdoor use. Factory sealed, no leak design. The unit's grey color closely matches the color of most utility and electrical boxes.



8. Direct wall mount

Three integral vibration isolation mounts allow for stable installation in unique applications and provides quiet performance when in use.



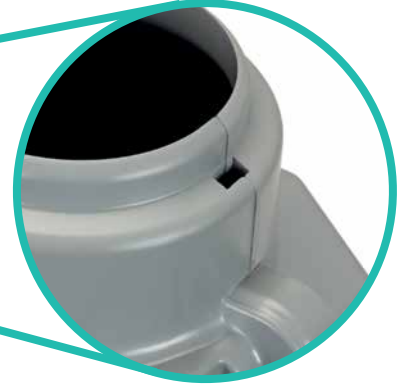
3. Ice breaker

To protect the fan wheel in case of condensate freezing and hitting wheel, the ice breaker breaks apart falling ice.



4. Integral condensate bypass

Uniquely designed feature keeps moisture away from the motor. Condensation bypasses the motor compartment and drains out at the bottom of the unit.



5. Terminal block

For easy wiring installation, the terminal block slides in (no screws). The rubber gasket around the terminal block compartment protects from moisture penetration.



6. External rotor-motor

External rotor-motor with backward curved impeller is in airstream thus giving the fan best in class performance, reliability and longevity.



7. Inlet elbow

A built-in elbow allows for fan's direct connection to low pressure pipe opening on exterior wall. It eliminates the need for one 90° elbow and one coupling.



HP Series

Inline Radon Fans

HP Series fans are specially designed with higher pressure capabilities for radon mitigation applications.

HP175

The economical choice where slightly less air flow is needed. Often used where there is good sub slab communication and lower Radon levels.

HP190 and HP2190. The standard for Radon Mitigation.

Ideally tailored performance curve for a vast majority of your mitigations.

HP220

Excellent choice for systems with elevated radon levels, poor communication, multiple suction points and large subslab footprint

HP2133

For applications where lower pressure and flow are needed. Record low power consumption of 14-20 W! Often used where there is good sub slab communication and lower Radon levels.

- UV resistant, UL Listed durable plastic
- UL Listed for use in commercial applications
- Watertight electrical terminal box
- Totally enclosed for protection
- Automatic reset thermal overload protection



NOTE:

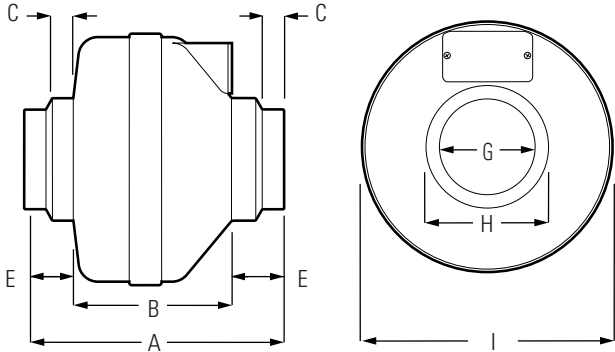
Installations that will result in condensate forming in the outlet ducting should have a condensate bypass installed to route the condensate outside of the fan housing. Conditions that are likely to produce condensate include but are not limited to: outdoor installations in cold climates, long lengths of outlet ducting, high moisture content in soil and thin wall or aluminum outlet ducting. Failure to install a proper condensate bypass may void any warranty claims.

Specification data

Model	Rated power	Voltage / phase	Max. amps	0.0" P _s	0.5" P _s	0.75" P _s	1.0" P _s	1.25" P _s	1.5" P _s	1.75" P _s	2.0" P _s	Max P _s	Shipping weight	Item #	Class 1 or 2	List price
	W	V / ~	A	cfm								in.wg	lbs			USD
HP 175	65	120 / 1	0.57	151	112	91	70	40	12	-	-	1.66	1	45047	1	45047
HP 190	85	120 / 1	0.78	157	123	106	89	67	45	18	1	2.01	7	411297	1	411297
HP 220	152	120 / 1	1.30	344	260	226	193	166	137	102	58	2.46	8	411349	1	411349
HP 2133	20	120 / 1	0.17	134	68	19	-	-	-	-	-	0.84	1	45044	1	45044
HP 2190	85	120 / 1	0.78	163	126	104	81	58	35	15	-	1.93	3	45048	1	45048

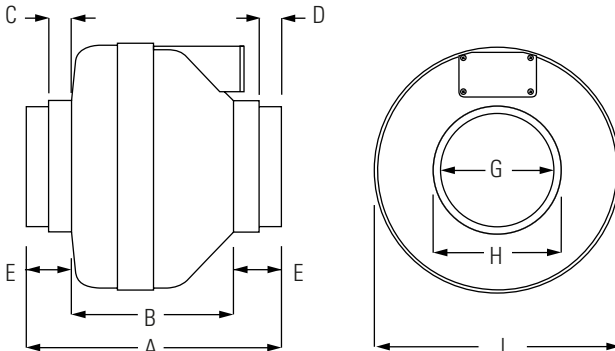
The performance curves shown in this brochure are representative of the actual test results recorded at Texas Engineering Experiment Station/Energy Systems Lab, a recognized testing authority for HVI. Testing was done in accordance with AMCA Standard 210-85 and HVI 916 Test Procedures.

Dimensions



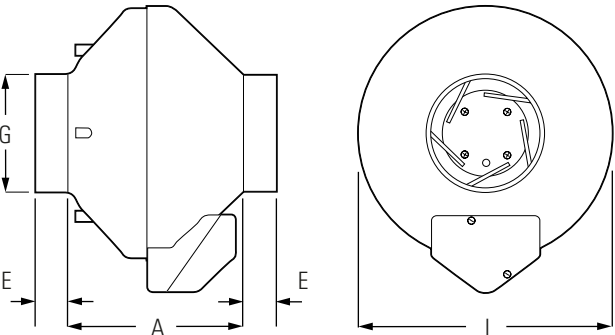
Model	A	B	C	E	G	H	I
HP 175 & HP 190	10 1/8	6 1/8	7/8	2	3 7/8	4 3/4	9 3/4

Dimensional information is in inches.



Model	A	B	C	D	E	G	H	I
HP 220	9 3/8	5 7/8	1	7/8	1 7/8	5 7/8	6 1/4	11 3/4

Dimensional information is in inches.



Model	A	E	G	I
HP 2133 & HP 2190	6 5/8	1 1/4	4 1/2	9 3/8

Dimensional information is in inches.

**A balanced
diet requires
balanced
ventilation.**



\$119.-

Shut-off Damper
ADC 10

7

1

5

\$975.-

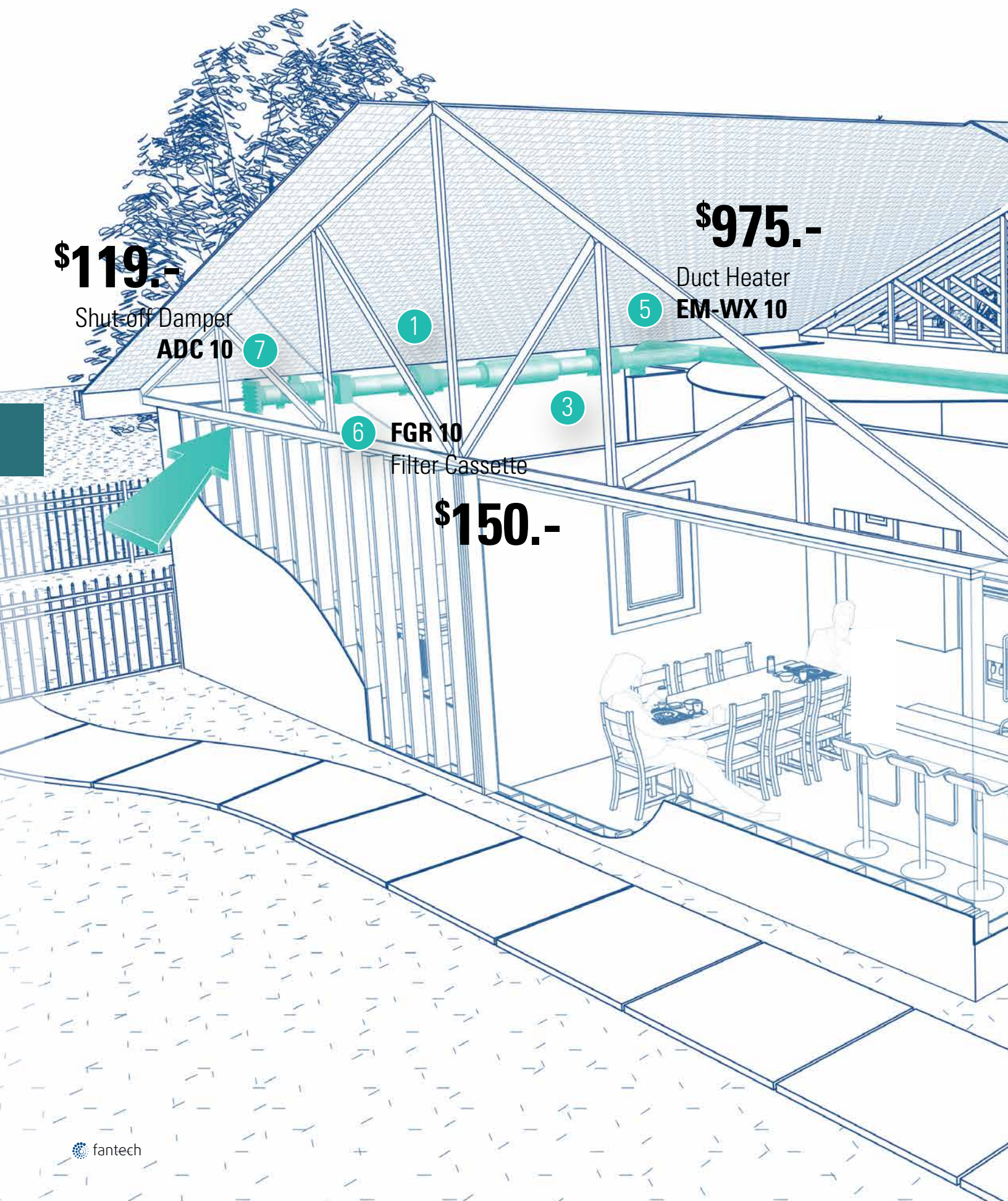
Duct Heater
EM-WX 10

3

6

FGR 10
Filter Cassette

\$150.-

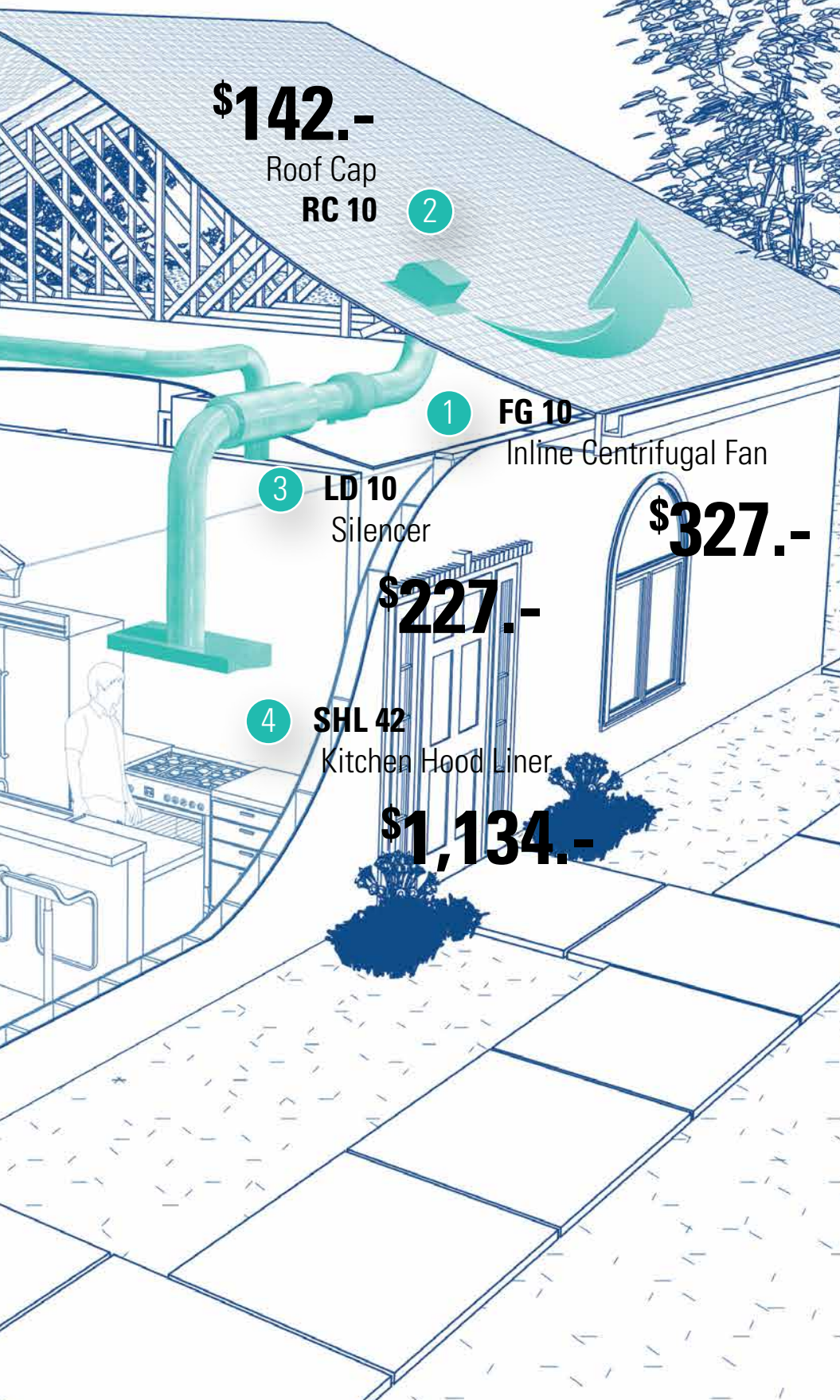


Balanced ventilation

for a residential kitchen

Your makeup air solution should be simple, yet effective. The Fantech makeup air system, along with a kitchen exhaust solution, will be quiet, comfortable and reliable. Under ideal conditions, even while preparing the largest and most demanding meals, your kitchen remains ventilated, without pulling in air from every crack and crevice in your home.

Makeup air can be delivered into the kitchen, close to the exhaust appliance or it can be ducted into the return air duct of a forced air/heating system shown here. The inline duct heater and damper can be controlled by a pressure switch from the exhaust duct or current sensing switch from the exhaust fan. The supply fan can be controlled through the exhaust hoods integral variable speed controller, or an alternatively linked control system.



Kitchen Exhaust Solution

- | | |
|--|--|
| 1. FG 10 / \$327.-
Inline Centrifugal Fan | 3. LD 10 / \$227.-
Silencer |
| 2. RC10 / \$142.-
Roof Cap | 4. SHL 42 / \$1,134.-
Kitchen Hood Liner ¹ |

¹ kitchen hood liners can support fans with total max of 6 Amps

Makeup Air Solution

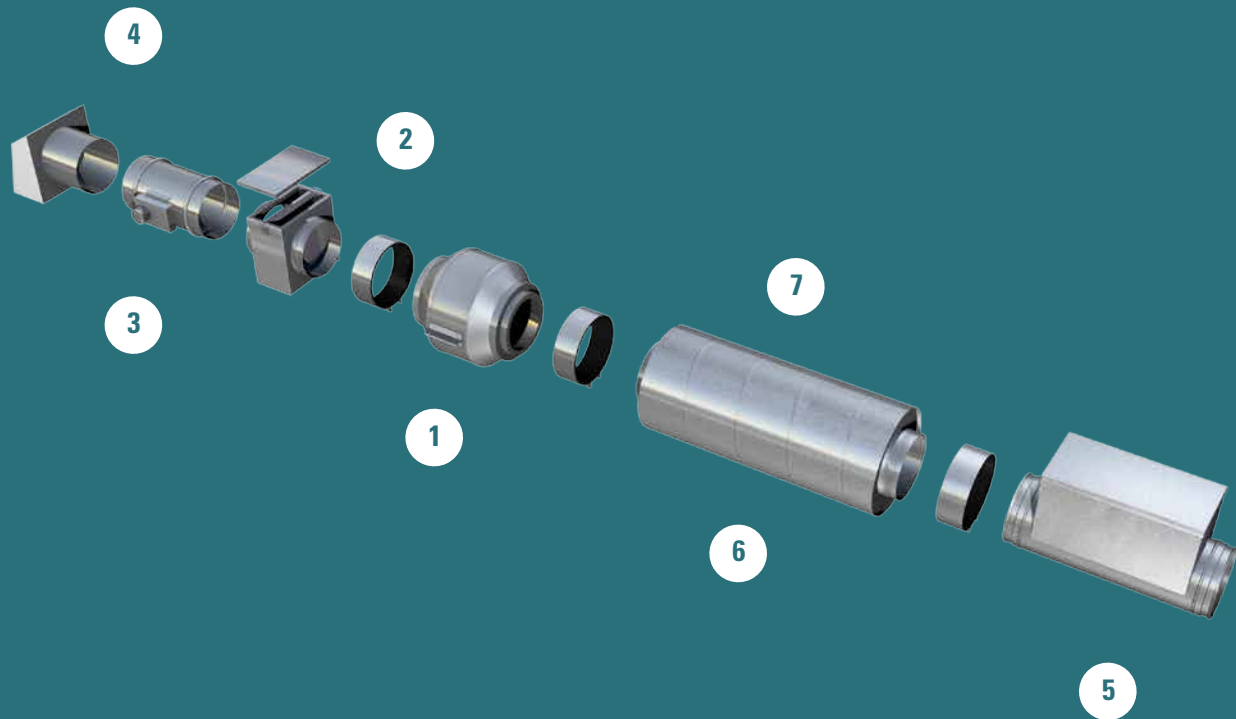
- | | |
|---|--|
| 1. FG 10 / \$327.-
Inline Centrifugal Fan | 3. LD 10 / \$227.-
Silencer |
| 5. EM-WX 10 / \$975.-
Duct Heater ² | 6. FGR 10 / \$150.-
Filter Cassette |
| 7. ADC 10 / \$119.-
Shut-off Damper | |

² optional for cold climates

To learn more about these products, see pages 110 and 111.

Makeup Air System

Simplifying Balanced Ventilation



- 1 Makeup Air Fan
- 2 Filter Cassette, FGR
- 3 Shut-off Damper, ADC
- 4 Intake Wall Hood, FML

- 5 Inline Duct Heater¹, EM-WX
- 6 Silencer, LD
- 7 Fast Clamps, FC

¹ optimal for cold climates

Every time an exhaust fan removes air from your home an equal volume of air must enter, this is called makeup air. Homes today are built to tighter standards resisting infiltration from outside air. With little to no leakage in the building envelope, where does a powerful range hood get its makeup air? If the home does not have enough random air leaks around the windows and doors, the makeup air is often pulled backwards from the chimney or water heater flue, this is called backdrafting. Since flue gasses from some combustion appliance can include carbon monoxide, backdrafting is dangerous and in some cases can be life threatening.

The Fantech Makeup Air System relieves this problem by introducing positive pressure, balanced makeup air direct from the outside. The system can be tailored to your requirements and interlocked with your range hood to supply the same volume of air as that exhausted from the range hood, to achieve "balanced ventilation". Your range hood fan efficiency and the capture and containment of cooking odors is dependent on the makeup air!

Most building codes now require makeup air for kitchen range hood fans that exhaust over 400 cfm. However, it's not only large range hood fans that depressurize the home, large open fireplaces, large bathroom fans, clothes dryers and power vented appliances all contribute to the depressurization of the home, the Fantech Makeup Air System can be used to balance the exhaust air from these appliances.

The Fantech system can be tailored to meet your requirements, based on ventilation demand and geographical area.

Makeup Air Fans

Supply fans provide necessary filtered and conditioned makeup air to the home equal to the amount of air being exhausted.



FG EC
Centrifugal Fan
page 114



FG
Centrifugal Fan
page 116



FKD
Mixed-flow Fan
page 122

Exhaust Fans

Interlocked and sized to match CFM fans exhaust the amount of the air being supplied.



RE (C)
Roof/Wall Mount Fan
page 128



FG / FG.. EC
Centrifugal Fan
page 115-117



FR
Centrifugal Fan
page 116



FKD
Mixed-flow Fan
page 122



WHV
Whole House Ventilator
page 34



NEW

ADC
Shut-off Damper
page 245



NEW

EM-WX
Electrical Heater
page 248



FML
Intake Hood
page 241



NEW

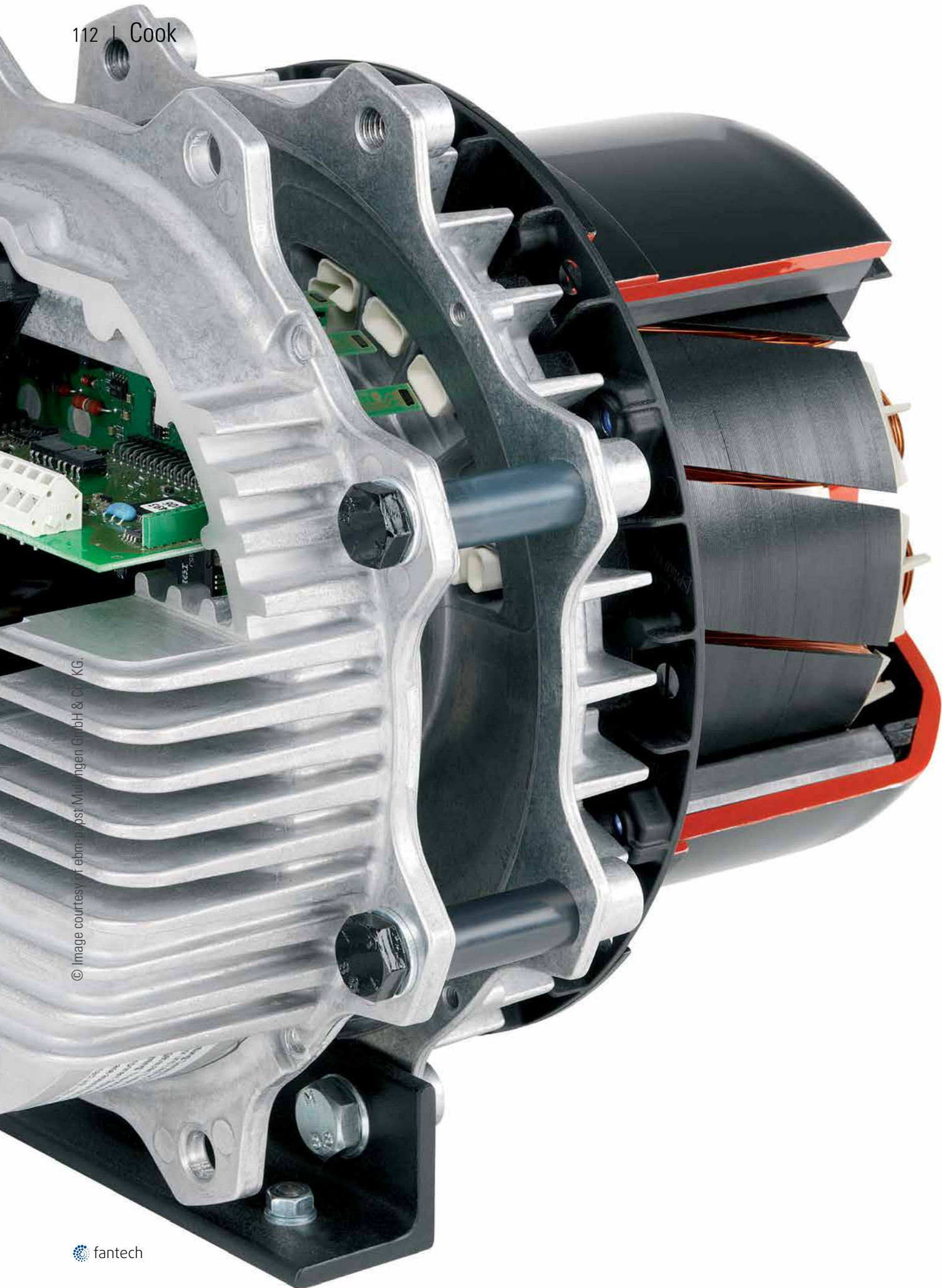
FGR
Filter Cassette
page 248



FC
Fast Clamp
page 247



LD
Silencer
page 246



© Image courtesy of ebm-papst Mulfingen GmbH & Co. KG.

**INDUSTRY
LEADING
EC PRODUCTS
USE UP TO
40% LESS
ELECTRICITY**

Our products utilizing EC motor technology provides controllability, high efficiency, long life, and low noise characteristics, which are perfect for new buildings as well as renovation projects.

Flip the page to find out more.

FG EC Series

Inline Centrifugal Fans with EC Motors



Fantech, Inc. certifies that the models shown herein are licensed to bear the AMCA Seal. The ratings are based on the tests and procedures performed in accordance with AMCA Publication 211 and comply with the requirements of the AMCA Certified Ratings Program. Performance certified is for installation type D – Ducted inlet, Ducted outlet. Performance ratings do not include the effects of appearances (accessories).

The FG EC Series fans are known for their economical use of energy and excellent ease of control. They can be varied in speed to match the airflow demand, and operate at high efficiency levels. For the same air volume, they consume considerably less energy than an AC fan.

Another special feature of EC fans is their energy-saving potential not only at full load, but especially at part-load. When operating at part-load, the energy used is much lower than with an AC motor of equivalent output. Reduced energy usage guarantees a drop in operating costs.

The FG EC series is designed for installation in ducts. All fans have a minimum 1 inch long connection collar. The fans have backward-curved blades and external rotor motors (EC). The FC mounting clamp facilitates easy installation and removal, and prevents the transfer of vibration to the duct. The fans are delivered with a pre-wired potentiometer (0-10V) that allows you to easily find the desired working point.

Motor protection is integrated in the electronics of the motor. The casing is manufactured from galvanised sheet steel with the seams folded to give the fan a close to air tight casing. Outdoor mounting and wet room applications are possible.

- EC-motors, high level of efficiency
- 100% speed controllable
- Integrated motor protection
- Supplied with mounting bracket
- Higher lifetime if the motor is speed controlled
- Cool operation at all loads
- Working voltage range 1~ 100...130V or 200..277V AC



Specification data

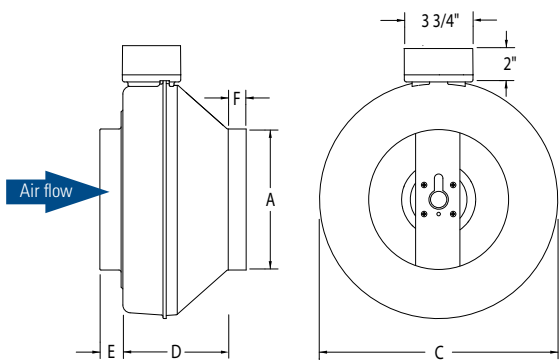
Model	Rated power	Voltage / phase	Max amps	RPM	CFM per W [*]	.0" P _s	.1" P _s	.2" P _s	.4" P _s	.6" P _s	.8" P _s	1.0" P _s	1.5" P _s	Max P _s	Weight	Item #	Class 1 or 2	List price
	W	V / ~	A	min ⁻¹		cfm								in.wg	lbs			USD
FG 6M EC	77.6	120 / 1	1.32	2480	4.25	363	349	330	302	271	239	206	113	1.92	11	49900	1	367.00
FG 8 EC	75.5	120 / 1	1.32	2545	5.17	428	410	390	353	314	275	239	121	1.95	11	49901	1	394.00
FG 10 EC	90.5	120 / 1	1.32	2380	5.08	513	489	460	413	363	325	283	160	2.13	11	49902	1	485.00
FG 12 EC	141.2	120 / 1	2.10	2665	4.25	633	621	600	577	542	506	467	379	2.45	16	49903	1	645.00
FG 12XL EC	169.7	120 / 1	2.10	2510	4.42	805	780	750	686	615	537	474	315	1.96	16	49905	1	858.00

HVI Ratings @ 0.2" Static Pressure Only. Performance certified is for installation type D – Ducted inlet, Ducted outlet. Speed (RPM) shown is nominal. Performance based on actual speed of test. Performance ratings do not include the effect of appearance (accessories).

Also available: FGC EC Series fans pre-wired with six foot cord and plug. Models include FGC 6M EC, FGC 8 EC or FGC 10 EC.

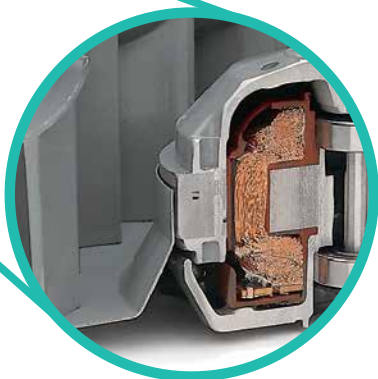
* CFM per Watt is not certified by AMCA

Dimensions



Model	A	C	D	E	F
FG 6M EC	6	13 1/8	7	1	1
FG 8 EC	8	13 1/4	6	1	1
FG 10 EC	10	13 1/4	4 3/4	1 1/8	1
FG 12 EC	12	16	6 11/16	1 1/4	1
FG 12XL EC	12	16	6 11/16	1 1/2	1

Dimensional information is in inches.



Compatibility

The FG..EC fans are fully compatible with BMS via the most common communication standards BacNet® or by 0-10V signal. This makes it possible to control indoor air quality quickly and reliably.

Accessories



MTP 10
Speed Control
page 243



DPC 200
Pressure Controller
page 243



ADC
Shut-off Damper
page 245



EM-WX
Electrical Heater
page 248



FML
Intake Hood
page 241



FGR
Filter Cassette
page 248



FC
Mounting Clamps
page 247



LD
Silencer
page 246

FG Series*

Inline Centrifugal Fans



Fantech, Inc. certifies that the models shown herein are licensed to bear the AMCA Seal. The ratings are based on the tests and procedures performed in accordance with AMCA Publication 211 and comply with the requirements of the AMCA Certified Ratings Program. Performance certified is for installation type D – Ducted inlet, Ducted outlet. Performance ratings do not include the effects of appurtenances (accessories).

The original inline fan is still the best choice.

FG fans are equipped with backward-curved impeller blades and external rotor motors. With the motor in the airstream the fan provides the constant dissipation of heat buildup thus giving the fan first in class of longevity and reliability. The FC mounting clamp (as an accessory) prevents the transfer of vibration to the duct. The fans can be speed-controlled via a stepless thyristor.

To protect the motor from overheating the fan is impedance protected. The housing is manufactured from a two-piece stamped galvanized construction. The two halves are joined using Fantech's unique folded seam closure which gives the fan the first in class, nearly air tight seal. Duct connected outdoor and wet room applications of the fan are possible due to the air tight casing.

- Speed-controllable
- Built-in thermal overload protection with automatic reset
- Can be installed in any position and outdoors
- Maintenance-free and reliable
- Mounting bracket and hardware included



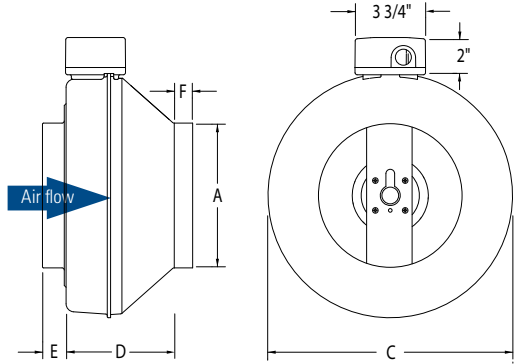
Specification data

Model*	Rated power	Voltage / phase	Max amps	RPM	0" P _s	.1" P _s	.2" P _s	.4" P _s	.6" P _s	.8" P _s	1.0" P _s	1.5" P _s	Max P _s	Shipping weight	Item #	Class 1 or 2	List price
	W	V / ~	A	min ⁻¹	cfm (l/s)								in.wg	lbs		USD	
FG 4	20	120 / 1	0.19	3000	135	123	110	83	55	25	-	-	0.94	7	40402	1	171.00
FG 4XL	71	120 / 1	0.66	2700	170	160	150	134	119	103	86	40	1.98	8	40403	1	188.00
FG 5	20	120 / 1	0.19	3000	156	143	130	99	66	33	-	-	0.99	7	40404	1	179.00
FG 5XL	73	120 / 1	0.68	2700	220	205	190	160	135	112	91	41	1.89	8	40405	1	191.00
FG 6	72	120 / 1	0.68	2700	303	287	270	232	196	164	134	58	1.88	10	40406	1	191.00
FG 6M	120	120 / 1	1.02	2350	418	394	370	317	268	224	186	101	2.10	12	40407	1	260.00
FG 6XL	153	120 / 1	1.48	2900	483	466	450	409	369	329	289	201	2.41	12	40466	1	236.00
FG 8	119	120 / 1	1.14	2550	461	435	410	351	295	243	191	97	2.11	12	40408	1	268.00
FG 8XL	142	120 / 1	1.45	2950	502	486	470	428	388	351	313	218	2.40	13	40409	1	317.00
FG 10	138	120 / 1	1.43	3000	513	497	480	444	407	366	324	216	2.36	12	40410	1	327.00
FG 10XL	196	120 / 1	1.96	3100	589	574	560	531	503	472	441	355	3.02	14	40411	1	362.00
FG 12	181	120 / 1	1.87	2600	741	711	680	601	515	434	363	236	2.99	18	40412	1	438.00
FG 12XL	301	120 / 1	3.01	2900	940	910	880	819	746	670	596	425	2.74	21	40413	1	493.00

Performance shown is for installation type D - Ducted inlet, Ducted outlet. Speed (RPM) shown is nominal. Performance is based on actual speed of test. Performance ratings do not include the effects of appurtenances in the (accessories).

* This product earned the ENERGY STAR® by meeting strict efficiency guidelines. All models meets ENERGY STAR® requirements except FG 4XL and FG 5XL.

Dimensions



Model	A	C	D	E	F
FG 4	4	8 1/2	6 1/2	1	1
FG 4XL	4	9 3/4	6 15/16	1	1
FG 5	5	8 5/8	6 1/2	1	1
FG 5XL	5	9 3/4	6	1 1/8	1 1/8
FG 6	6	11 3/8	6 1/4	1	7/8
FG 6XL & FG 6M	6	13 1/8	7	1	1
FG 8	8	13 1/4	6	1	1
FG 8XL	8	13 1/4	6	1 1/8	1
FG 10	10	13 1/4	4 3/4	1 1/8	1
FG 10XL	10	13 1/4	4 13/16	1 1/4	1
FG 12	12	16	6 11/16	1 1/4	1
FG 12XL	12	16	6 11/16	1 1/2	1

Dimensional information is in inches.

Accessories



ADC
Shut-off Damper
page 245



EM-WX
Electrical Heater
page 248



FGR
Filter Cassette
page 248



FC
Mounting Clamps
page 247



LD
Silencer
page 246



SHL/SGHL
Hood Liners
page 248



FD 60EM
Electronic Timer
page 242



SCD
Speed Control
page 242



WC 15
Speed Control
page 242

FR Series*

Inline Centrifugal Fans



Fantech's versatile FR Series Inline Fans provide the ideal answer for a variety of air movement problems in residential and commercial applications. The fans feature a fully sealed plastic housing constructed of UV protected thermoplastic resin. This tough protective shell allows the fan to be mounted in outdoor and wet locations. FR fans feature external rotor motors that have proven dependable year after year.

FR fans can be used for multiple point exhaust applications, crawl space venting or make-up air supply. They are also widely used as booster fans to move air from one room or area to another.

- Airflow up to 650 cfm
- Speed-controllable
- Prewired and supplied with a mounting bracket
- Can be installed in any orientation
- Approved for residential and commercial applications and for wet locations
- Air stream temperatures up to 140 °F



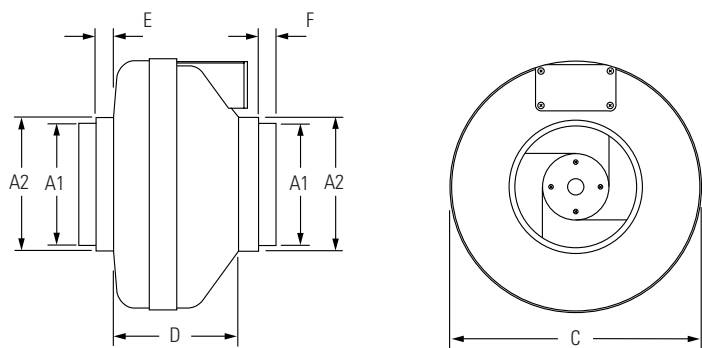
Specification data

Model*	Duct size	Rated power	Voltage / phase	Max. amps	0.0" P _s	0.2" P _s	0.4" P _s	0.6" P _s	0.8" P _s	1.0" P _s	1.5" P _s	Max P _s	Shipping weight	Item #	Class 1 or 2	List price
	inch	W	V / ~	A	cfm							in.wg	lbs			USD
FR 100	4	19	120 / 1	0.18	122	100	78	55	15	-	-	0.87	6	411330	1	180.00
FR 110	4	80	120 / 1	0.72	167	150	133	113	88	63	4	1.60	7	411331	1	200.00
FR 125	5	18	120 / 1	0.18	148	120	88	47	-	-	-	0.79	6	411332	1	188.00
FR 140	6	61	120 / 1	0.53	214	190	162	132	99	46	-	1.15	8	411333	1	197.00
FR 150	6	71	120 / 1	0.67	263	230	198	167	136	106	17	1.58	8	411334	1	205.00
FR 160	6	129	120 / 1	1.14	289	260	233	206	179	154	89	2.32	8	411335	1	258.00
FR 200	8	122	120 / 1	1.11	408	360	308	259	213	173	72	2.14	10	411336	1	286.00
FR 225	8	137	120 / 1	1.35	429	400	366	332	297	260	168	2.48	11	411337	1	334.00
FR 250	10	241	120 / 1	2.40	649	600	553	506	454	403	294	2.58	13	411338	1	382.00

Performance shown is for installation type D - Ducted inlet, Ducted outlet. Performance is based on actual speed of test. Performance ratings do not include the effects of appurtenances in the airstream.

*This product earned the ENERGY STAR® by meeting strict efficiency guidelines. All models meets ENERGY STAR® requirements except FR 110, FR 160 and FR 250.

Dimensions



Model	A1	A2	C	D	E	F
FR 100	4	5	9 1/2	6 1/8	7/8	7/8
FR 110	4	5	9 1/2	6 1/8	7/8	7/8
FR 125	-	5	9 1/2	6 1/8	7/8	-
FR 140	6	6 1/4	11 3/4	5 7/8	1	7/8
FR 150	6	6 1/4	11 3/4	5 7/8	1	7/8
FR 160	6	6 1/4	11 3/4	5 7/8	1	7/8
FR 200	8	10	13 1/4	6 1/4	1 1/2	1 1/2
FR 225	8	10	13 1/4	6 1/4	1 1/2	1 1/2
FR 250	-	10	13 1/4	6 1/4	1 1/2	-

All dimensions are in inches.

Accessories



ADC
Shut-off Damper
page 245



EM-WX
Electrical Heater
page 248



FGR
Filter Cassette
page 248



FC
Mounting Clamps
page 247



LD
Silencer
page 246



SHL/SGHL
Hood Liners
page 248



FML
Metal Hood
page 241



SCD
Speed Control
page 242



WC 15
Speed Control
page 242

CVS Series

Inline Multi-Port Ventilators

The CVS Series multi-port ventilators have been engineered for installation in areas where space is limited. They are a popular choice for use in areas between floors in apartment buildings or high rise office complexes.

With CVS models, several exhaust points connect into one centrally located fan without the use of adapters or transitions. The motorized impeller is both statically and dynamically balanced as one integral unit, for vibration free, quiet performance.

With multiple exhaust points going into one fan, wall or roof penetrations are kept to a minimum.

CVS fans are simple to install. Simply select the fan mounting location, taking into account the type of application, service accessibility, and distance from exhaust point (to minimize fan operating noise). Secure the unit using either threaded rod or wires to suspend the unit. Finally, connect the ductwork to inlet and outlet of the fan using FC clamps.



- Airflows up to 400 cfm
- Slim design fits any tight space
- 100% speed controllable
- Internal scroll for maximum air performance
- Suitable for airstream temperatures up to 140° F

Specification data

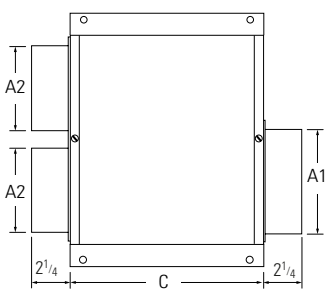
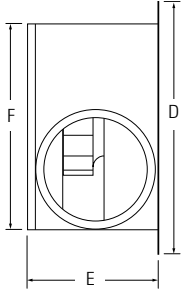
Model	Duct size*	Rated power	Voltage / phase	Max. amps	RPM	0.0" P _s	0.2" P _s	0.4" P _s	0.6" P _s	0.8" P _s	1.0" P _s	1.5" P _s	Max P _s	Shipping weight	Item #	Class 1 or 2	List price
	inch	W	V / ~	A	min ⁻¹	cfm							in.wg	lbs			USD
CVS 275A	5 / 6	92	120 / 1	0.79	2550	245	220	192	171	147	126	34	1.72	15	40116	1	263.00
CVS 300A	4 / 6	123	120 / 1	1.07	2500	355	320	283	249	215	180	79	1.76	22	40118	1	347.00
CVS 400A	4 / 6	156	120 / 1	1.41	2950	404	380	352	324	299	274	204	2.30	23	40119	1	390.00

CVS Series performance is shown with ducted outlet. Per HVI'S Certified rating program, charted air flow performance has been derated by a factor based on actual test results and the certified rate at 0.2 inches WG.

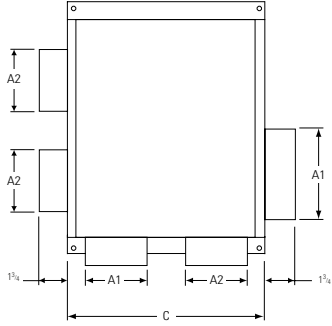
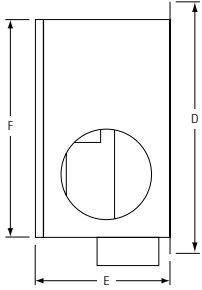
* - Duct size shows as inlet/outlet

Dimensions

CVS 275A



CVS 300A / CVS 400A



Model	A1	A2	C	D	E	F
CVS 275A	6	5	11	15	7 5/8	12
CVS 300A / CVS 400A	6	4	13	18 3/4	8 1/4	16

Dimensional information is in inches. Male duct connector is 1/8" smaller than duct size.

Accessories



FC
Mounting Clamps
page 247



LD
Silencer
page 246



RSK
Backdraft Damper
page 246



IR
Iris Damper
page 245



FML
Metal Hood
page 241



WC 15
Speed Control
page 242



RPE
Speed Control
page 242

FKD Series - 120V

Inline Centrifugal Fans



Fantech, Inc. and Fantech Limited certify that the FKD Series shown herein is licensed to bear the AMCA Seal. The ratings shown are based on tests and procedures performed in accordance with AMCA Publication 211 and AMCA Publication 311 and comply with the requirements of the AMCA Certified Ratings Program.

Fantech FKD direct drive, mixed flow centrifugal fans blend the high air flow of axial fans with the higher pressure, non-overloading characteristics of backward curved impellers. An excellent choice for exhaust or supply applications where quieter performance and easy installation are important. Perfect for commercial and institutional structures such as offices, hospitals, beauty salons, veterinary clinics as well as residential applications such as kitchen range hood exhaust.

- High efficiency impeller generates low noise
- 100% speed-controllable
- Integral thermal contacts
- Can be installed in any position
- Maintenance-free and reliable
- Airstream temperatures up to 140 °F



Specification data

Model	Rated power	Voltage / phase	Max amps	RPM	.0" P _s	.25" P _s	.5" P _s	.75" P _s	1.0" P _s	1.5" P _s	2.0" P _s	Max P _s	Sones ¹	Shipping weight	Item #	Class 1 or 2	List price
	W	V / ~	A	min ⁻¹	cfm							in.wg		lbs		USD	
FKD 8XL	327	120 / 1	2.99 ¹	2700	836	761	680	595	499	286	-	2.50	14.1	20	40012	1	583.00
FKD 10	329	120 / 1	3.01 ¹	2700	910	836	752	653	547	342	-	2.60	15.3	19	40013	1	583.00
FKD 10XL	529	120 / 1	4.48 ¹	2850	1266	1187	1100	1006	911	696	460	3.08	21.0	25	40014	1	672.00
FKD 12	531	120 / 1	4.86 ²	2900	1305	1228	1145	1054	948	712	479	3.08	23.0	24	40016	1	672.00
FKD 12XL	500	120 / 1	4.80 ²	1700	2016	1832	1649	1423	1066	-	-	1.52	18.7	44	40018	1	848.00
FKD 14	495	120 / 1	4.76 ²	1700	2156	1965	1764	1520	1193	-	-	1.52	18.4	44	40019	1	848.00
FKD 14XL	738	120 / 1	7.12 ²	1550	2619	2416	2180	1936	1662	843	0	1.94	19.0	54	40020	2	1,439.00
FKD 16	742	120 / 1	6.39 ²	1600	2952	2707	2445	2144	1804	774	-	1.90	18.5	54	40021	2	1,439.00
FKD 16XL	1421	120 / 1	12.40 ³	1600	4274	4014	3743	3452	3137	2379	1242	2.42	25.0	84	40022	2	2,075.00
FKD 18	1411	120 / 1	12.04 ³	1600	4448	4130	3871	3583	3239	2380	1231	2.51	24.0	85	40023	2	2,075.00

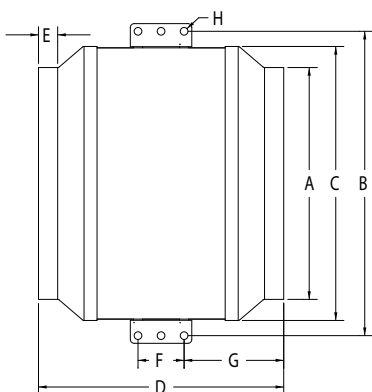
Performance certified is for installation type D - Ducted inlet, Ducted outlet. Performance is based on actual speed of test. Performance ratings do not include the effects of appurtenances (accessories).

¹ The sound ratings shown are loudness values in fan sones at 5ft. (1.5m) in hemispherical free field calculated per AMCA Standard 301. Values shown are for installation Type D: ducted inlet hemispherical fan sone levels. Ratings do not include the effect of duct end correction. All sone values shown are calculated at 0.5" (static pressure in inches W.G.)

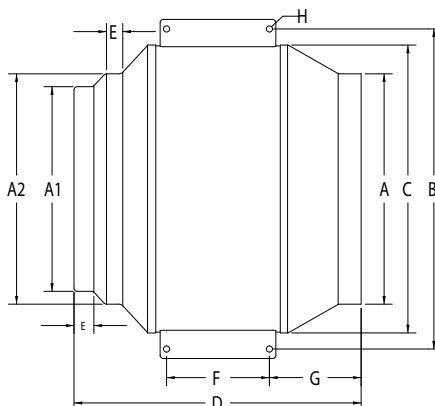
²Recommended speed control rating 5A ³Recommended speed control rating 10A ³Recommended speed control rating 15A

Dimensions

FKD 8XL - 12



FKD 12XL - 20



Model	A	A1	A2	B	C	D	E	F	G	H
FKD 8XL	8	-	-	14	12 1/2	15 1/2	3/4	2 3/8	6 1/8	3/8
FKD 10	10	-	-	14	12 1/2	15 1/2	3/4	2 3/8	5	3/8
FKD 10XL	10	-	-	15 5/8	14	15	3/4	2 3/8	6 3/8	3/8
FKD 12	12	-	-	15 5/8	14	12 1/2	3/4	2 3/8	5 1/8	3/8
FKD 12XL	12	12	14	20 1/4	17 7/8	18 7/8	7/8	4	8 3/4	3/8
FKD 14	14	12	14	20 1/4	17 7/8	17 1/4	1	1	6 3/4	3/8
FKD 14XL	14	14	16	22 1/8	19 3/4	20 1/4	1 1/2	1 1/2	8 3/4	3/8
FKD 16	16	14	16	22 1/8	19 3/4	18 3/4	1 1/2	1 1/2	7 1/8	3/8
FKD 16XL	16	16	18	24 3/8	22 1/8	23 1/4	1 1/4	1 1/4	8 1/2	1/2
FKD 18	18	16	18	24 3/8	22 1/8	21 3/4	1 1/4	7 7/8	7	1/2

Dimensional information is in inches.

Accessories



ADC
Shut-off Damper
page 245



EM-WX
Electrical Heater
page 248



FGR
Filter Cassette
page 248



FC
Mounting Clamps
page 247



LD
Silencer
page 246



SHL/SGHL
Hood Liners
page 248



RC
Roof Caps
page 246



RPE
Speed Control
page 242



WC 15
Speed Control
page 242

FKD Series - 230V

Inline Centrifugal Fans



Fantech, Inc. and Fantech Limited certify that the FKD Series shown herein is licensed to bear the AMCA Seal. The ratings shown are based on tests and procedures performed in accordance with AMCA Publication 211 and AMCA Publication 311 and comply with the requirements of the AMCA Certified Ratings Program.

Fantech FKD direct drive, mixed flow centrifugal fans blend the high air flow of axial fans with the higher pressure, non-overloading characteristics of backward curved impellers. An excellent choice for exhaust or supply applications where quieter performance and easy installation are important. Perfect for commercial and institutional structures such as offices, hospitals, beauty salons, veterinary clinics as well as residential applications such as kitchen range hood exhaust.

- High efficiency impeller generates low noise
- 230V version
- 100% speed-controllable
- Integral thermal contacts
- Can be installed in any position
- Maintenance-free and reliable
- Airstream temperatures up to 140 °F



Specification data

Model	Rated power	Voltage / phase	Max amps	RPM	.0" P _s	.25" P _s	.5" P _s	.75" P _s	1.0" P _s	1.5" P _s	2.0" P _s	Max P _s	Sones ¹	Shipping weight	Item #	Class 1 or 2	List price
	W	V / ~	A	min ⁻¹	cfm							in.wg		lbs		USD	
FKD 8XL-230	330	230 / 1	1.50	2785	820	749	670	579	479	375	276	121	16.9	20	42576	1	700.00
FKD 10-230	329	230 / 1	2.10	2775	872	809	717	619	523	432	340	150	20.6	19	42577	1	700.00
FKD 10XL-230	545	230 / 1	2.25	2940	1265	1189	1112	1032	944	848	741	497	23.2	25	40469	1	806.00
FKD 12-230	531	230 / 1	2.10	2845	1290	1219	1136	1043	941	833	717	469	25.0	24	40470	1	806.00
FKD 12XL-230	540	230 / 1	2.40	1690	1946	1762	1604	1377	1069	610	87	-	20.4	44	45300	1	1,017.00
FKD 14-230	540	230 / 1	2.40	1690	2070	1896	1683	1474	1093	589	166	-	19.4	54	45405	2	924.00
FKD 14XL-230	860	230 / 1	3.80	1575	2748	2481	2291	2038	1687	1270	851	186	22.1	54	45301	2	1,569.00
FKD 16-230	860	230 / 1	3.70	1575	2918	2364	1737	1453	1180	899	425	2	19.9	54	45303	2	1,569.00
FKD 16XL-230	1550	230 / 1	6.60	1635	4210	3946	3615	3233	2814	2372	1920	1037	24.3	84	45302	2	2,264.00
FKD 18-230	1550	230 / 1	6.60	1635	4490	4232	3946	3588	3152	2654	2127	1121	25.9	85	45305	2	2,264.00
FKD 18XL-230/460	2208	230/460 / 3	3.75	1700	6236	5995	5754	5500	5199	4909	4602	3703	32.0	108	40024	2	2,795.00
FKD 20-230/460	2218	230/460 / 3	3.73	1750	6291	6054	5829	5617	5307	4987	4667	3757	33.0	109	40025	2	2,795.00

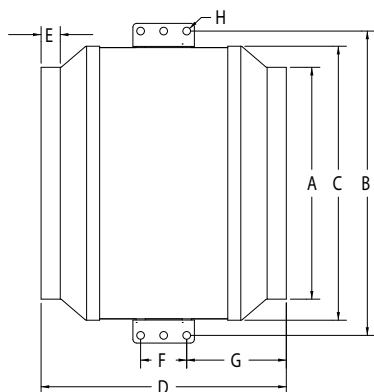
Performance certified is for installation type D - Ducted inlet, Ducted outlet. Speed (RPM) shown is nominal. Performance is based on actual speed of test. Performance ratings do not include the effects of appurtenances (accessories). Models FKD 18XL-230 & FKD 20-230 are not AMCA Licensed.

¹The sound ratings shown are loudness values in fan sones at 5ft. (1.5m) in hemispherical free field calculated per AMCA Standard 301. Values shown are for installation Type D: ducted inlet hemispherical fan sone levels. Ratings do not include the effect of duct end correction. All sone values shown are calculated at 0.5" (static pressure in inches W.G.)

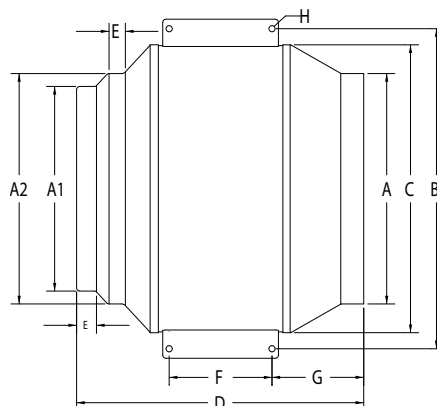
*Recommended speed control rating 15A

Dimensions

FKD 8XL - 12



FKD 12XL - 20



Model	A	A1	A2	B	C	D	E	F	G	H
FKD 8XL	8	-	-	14	12 1/2	15 1/2	3/4	2 3/8	6 1/8	3/8
FKD 10	10	-	-	14	12 1/2	12 1/2	3/4	2 3/8	5	3/8
FKD 10XL	10	-	-	15 5/8	14	15	3/4	2 3/8	6 3/8	3/8
FKD 12	12	-	-	15 5/8	14	12 1/2	3/4	2 3/8	5 1/8	3/8
FKD 12XL	12	12	14	20 1/4	17 7/8	18 7/8	7/8	4	8 3/4	3/8
FKD 14	14	12	14	20 1/4	17 7/8	17 1/4	1	4	6 3/4	3/8
FKD 14XL	14	14	16	22 1/8	19 3/4	20 1/4	1 1/2	4	8 3/4	3/8
FKD 16	16	14	16	22 1/8	19 3/4	18 3/4	1 1/2	4	7 1/8	3/8
FKD 16XL	16	16	18	24 3/8	22 1/8	23 1/4	1 1/4	7 7/8	8 1/2	1/2
FKD 18	18	16	18	24 3/8	22 1/8	21 3/4	1 1/4	7 7/8	7	1/2
FKD 18XL	18	18	20	30 3/8	28 1/8	27 1/4	2	7 7/8	12 1/2	1/2
FKD 20	20	18	20	30 3/8	28 1/8	27 3/4	2	7 7/8	12 1/2	1/2

Dimensional information is in inches.



FC
Mounting Clamps
page 247



LD
Silencer
page 246



RSK
Backdraft Damper
page 246



IR
Iris Damper
page 245



SHL/SGHL
Hood Liners
page 248



RC
Roof Caps
page 246



RPE
Speed Control
page 242

THE FIRST..

DBF 4XL

Dryer Exhaust Fan

\$259.-



FG 8

Inline Duct fan

\$268.-



HP 190

Radon Fan

\$185.-



Add one of these fans to your next order
USA • 800.747.1762

...AND STILL THE BEST!

© Image courtesy of Ziehl-Abegg SA

40 years ago, our invention of the inline fan revolutionized the ventilation industry. Today, our fans are used in hundreds of applications. Customers love the performance, quality product and the support after the sale. That's simply better™.

RE(C) Series

Exterior Roof/Wall Centrifugal Fans



Fantech, Inc. and Fantech Limited certify that the RE (C) Series shown herein is licensed to bear the AMCA Seal. The ratings shown are based on tests and procedures performed in accordance with AMCA Publication 211 and AMCA Publication 311 and comply with the requirements of the AMCA Certified Ratings Program.

The RE/REC Series of direct drive centrifugal fans provide an excellent solution for residential or commercial ventilation applications where the fan must be mounted on the exterior of the building. Two base styles are available: RE models with a flat base for direct flashing to the roof or REC models with flanged base for curb mounting. RE models can also be mounted on an exterior wall when roof access is not suitable.

These multi-purpose fans can be used to move air from one or more venting points. Interior noise is not an issue because the fan motor is located outside the building envelope.

- Airflows up to 1008 cfm
- 100% speed controllable
- Suitable for airstream temperatures of up to 140° F
- Excellent heat dissipation for long motor life
- Built-in thermal overload protection with automatic reset



Specification data

Model	Rated power	Voltage / phase	Max. amps*	RPM	.0" P _s	.25" P _s	.50" P _s	.75" P _s	1.0" P _s	1.5" P _s	Max P _s	Sones [†]	Shipping weight	Item #	Class 1 or 2	List price
	W	V / ~	A	min ⁻¹	cfm						in.wg		lbs		USD	
RE 54 / REC 54	19	120 / 1	0.18	3040	116	92	65	36	1	-	-	3.5*	11	40228 / 40229	1	259.00 / 263.00
RE 6 / REC 6	87	120 / 1	0.80	2700	227	199	169	134	106	52	1.84	7.5*	14	40045 / 40046	1	263.00 / 268.00
RE 8XL / REC 8XL	153	120 / 1	1.40	2800	409	356	307	259	212	130	2.23	8.9*	19	40047 / 40098	1	361.00 / 367.00
RE 10XL / REC 10XL	394	120 / 1	3.60	3250	753	721	690	656	622	548	4.03	16.4 [‡]	31	40215 / 40099	1	593.00 / 598.00
RE 10XLT / REC 10XLT	531	120 / 1	4.86	2950	1008	949	890	831	766	609	3.17	21.0 [‡]	33	40230 / 40231	1	774.00 / 788.00

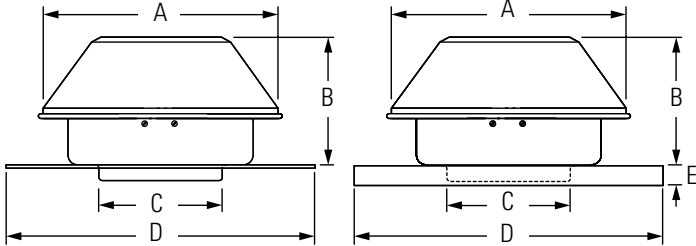
Performance certified is for installation type A - Free inlet, Free outlet. Speed (RPM) shown is nominal. Performance is based on actual speed of test. Performance ratings do not include the effects of appurtenances (accessories).

[†] The sound ratings shown are loudness values in fan sones at 5ft. (1.5m) in hemispherical free field calculated per AMCA Standard 301. Values shown are for installation Type A: free inlet hemispherical fan sone levels.

* Sone value shown was calculated at 0.5" (static pressure in inches W.G.).

[‡] Sone value shown was calculated at 0.75" (static pressure in inches W.G.).

Dimensions



Model	A	B	C	D	E ²
RE 54 / REC 54 ¹	10 15/16	6	5	15 1/2	1 1/2
RE 6 / REC 6	13 15/16	6 1/4	6	15 1/2	1 1/2
RE 8XL / REC 8XL	16 9/16	5 15/16	8	20	1 1/2
RE 10XL / REC 10XL	20 13/16	11 1/2	10	20	1 1/2
RE 10XLT / REC 10XLT	20 13/16	12 11/16	10	20	1 1/2

Dimensional information is in inches. Male duct connector is 1/8" smaller than duct size.
¹Supplied with 5" to 4" reducer
²For REC models only

Accessories



5ACC.. FS
Flat Roof Curb
page 249



FC
Mounting Clamps
page 247



LD
Silencer
page 246



RSK
Backdraft Damper
page 246



SHL/SGHL
Hood Liners
page 248



WC 15
Speed Control
page 242



SCD
Speed Control
page 242

Pots boiling..
Onions sautéing..
Turkey baking..

**We know a
secret to keep
the kitchen clear
of steam and
odors.**



Balanced ventilation

for a commercial kitchen

It's not just hot air!

Too much heat and smoke in the air wastes money and increases the risk for fire and health problems. Keep cool, breathe easy, Fantech has ventilation solutions for commercial kitchens.

What goes out must come in, so says physics, exhaust the smoke, heat and cooking odors with a Fantech UL762 listed Upblast fan the Belt Drive 5BDU, while at the same time supply Makeup Air with a Belt Drive 5FSU. Balanced systems like these alleviate problems with spillage from kitchen hoods that breeds mildew and can create a toxic environment in the kitchen, poor air quality in the kitchen can spread to the restaurant creating problems for customers and employees and improper ventilation increases the presence of cooking odors that may deter customer traffic.

Good air quality is essential to the operation of a successful restaurant; invest in Fantech equipment that will secure the safety of your business, employees and customers for many years to come.

1. 5BDU 15FB-A / \$1,097.-

Upblast Roof Ventilator

120/208-230V, 2956 cfm @ 0.25" Ps, max P_s = 1.00" Ps.

For commercial and industrial buildings. UL 705 Standard (electrical) and UL762 Standard (restaurant exhaust) listed. See page 134.

2. FSU 12EB / \$1,469.-

Filtered Supply Unit

120/230V, 2769 cfm @ 0.25" Ps, max 1.25" Ps

Belt-driven filtered supply units for roof or wall installation. The single-sided unit provides filtered supply air to industrial and commercial buildings.

UL705 Standard listed. See page 150.

5BDU 15FB-A
Upblast Roof Ventilator

\$1,097.-

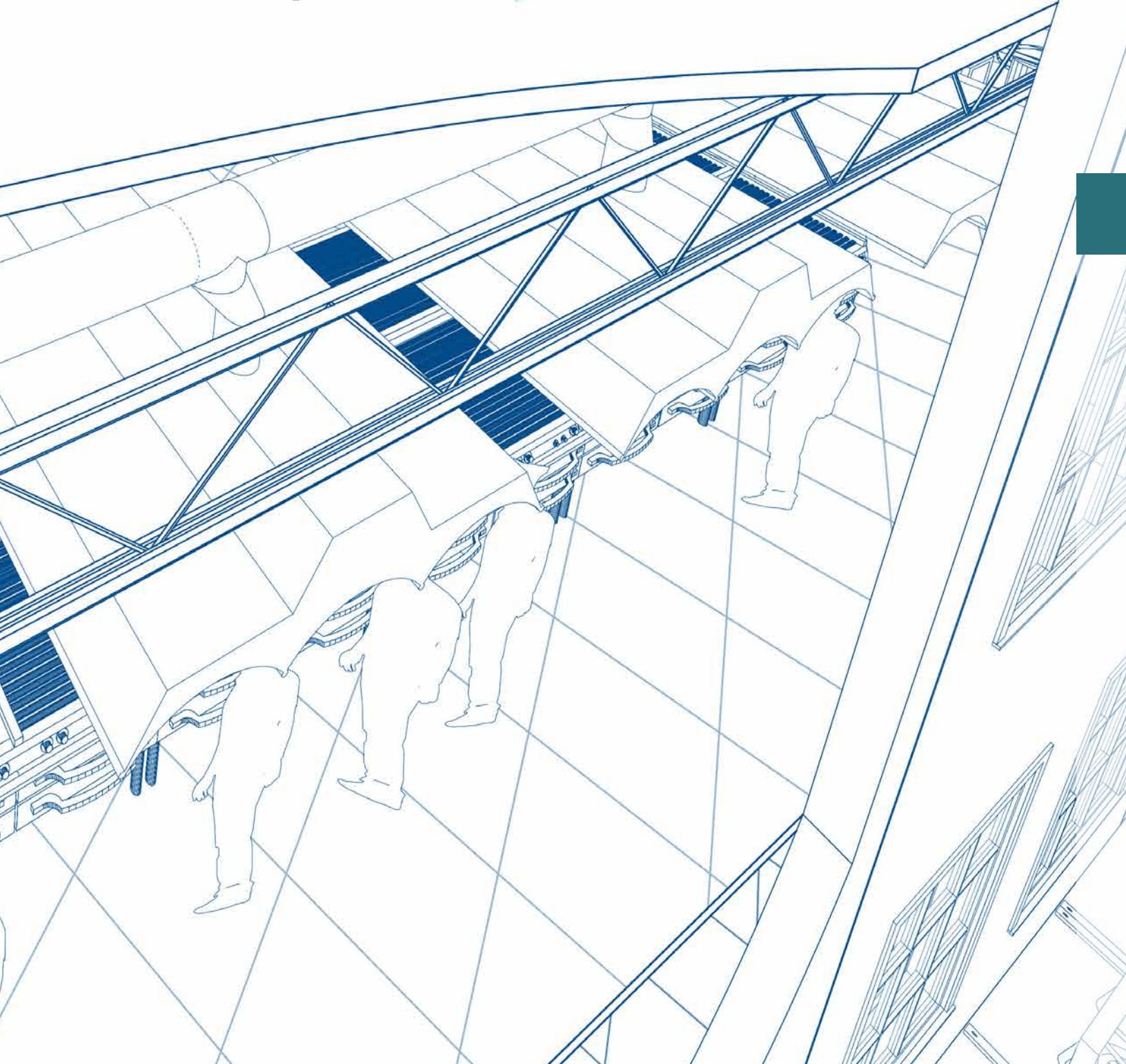
1





2 **FSU 12EB**
Filtered Supply Unit

\$1,469.-



5BDU Series

Belt Drive Upblast Roof Ventilators



Fantech, Inc. certifies that the Belt-Drive Upblast Centrifugal Roof Ventilators shown herein are licensed to bear the AMCA Seal. The ratings shown are based on tests and procedures performed in accordance with AMCA Publication 211 and AMCA Publication 311 and comply with the requirements of the AMCA Certified Ratings Program.

Belt-drive upblast ventilators are designed for roof mounted exhaust of commercial and industrial buildings. These models are both for roof and wall application (except 5BDU30 and 5BDU36). Durable spun aluminum construction with steel support braces. Backward inclined aluminum fan wheel. Motor and wheel are easily detachable without removing ventilator from curb. Permanently lubricated ball bearings (5BDU10 - 5BDU13) and regreasable pillow block bearings (5BDU15 - 5BDU24).

- All ventilators are listed UL 705 for electrical and UL 762 for restaurant exhaust in USA only
- Models 5BDU10 - 5BDU24 are suitable for wall mount application
- Inlet temperatures up to 300°F
- Fully welded windband
- Externally cooled motor compartment



Specification data

Model	Rated power	Voltage	RPM	0.0" P _s	0.125" P _s	0.25" P _s	0.375" P _s	0.50" P _s	0.625" P _s	0.75" P _s	1.00" P _s	Shipping weight	Item #	Class 1 or 2	List price
	HP	V	min ⁻¹	cfm								lbs			USD
	Sones † BHP ‡														
5BDU 10BB-A	1/4	120/230	1819	1179	1138	1089	1037	981	922	855	679	110	46800	2	803.00
				15.1 0.22	14.7 0.23	14.3 0.23	13.5 0.24	13.1 0.24	12.8 0.25	12.0 0.25	10.6 0.24				
5BDU 12CB-A	1/3	120/230	1566	1530	1473	1417	1358	1290	1223	1142	961	120	46802	2	888.00
				13.1 0.28	13.1 0.29	12.7 0.30	12.7 0.31	12.3 0.31	11.7 0.32	11.0 0.32	10.3 0.32				
5BDU 13DB-A	1/2	120/230	1530	2188	2115	2042	1966	1888	1808	1723	1538	132	46805	2	958.00
				17.3 0.42	17.0 0.44	16.3 0.45	16.2 0.46	15.4 0.48	15.4 0.49	15.1 0.50	13.6 0.50				
5BDU 15EB-A	3/4	120/208-230	1489	2811	2735	2659	2582	2503	2414	2325	2123	150	46811	2	1,097.00
				18.1 0.66	17.9 0.67	17.8 0.69	17.7 0.70	17.1 0.72	16.9 0.73	16.5 0.74	15.7 0.74				
5BDU 15FB-A	1	120/208-230	1639	3094	3025	2956	2886	2817	2743	2662	2501	153	46813	2	1,097.00
				20 0.87	20 0.89	20 0.91	19.2 0.93	19.1 0.94	18.9 0.96	18.8 0.97	18.2 0.97				
5BDU 16FB-A	1	120/208-230	1400	3674	3576	3478	3388	3282	3175	3068	2844	154	46820	2	1,166.00
				21 0.91	21 0.92	21 0.94	19.8 0.95	19.6 0.97	19.6 0.98	18.6 0.99	17.4 1.02				
5BDU 18FX-A *	1	208-230/460	1169	3986	3873	3756	3640	3508	3368	3229	2914	201	46828	2	1,305.00
				17.6 0.82	17.3 0.84	17.5 0.86	17.1 0.88	16.9 0.90	16.3 0.92	16.2 0.93	15.4 0.94				
5BDU 18GB-A	1-1/2	120/208-230	1338	4563	4465	4363	4261	4159	4045	3923	3678	214	46829	2	1,402.00
				21 1.23	21 1.25	20 1.28	20 1.30	20 1.32	19.5 1.35	19.1 1.36	18.2 1.39				
5BDU 18HX-A (*)	2	208-230/460	1473	5023	4935	4842	4750	4657	4564	4459	4238	210	46831	2	1,498.00
				25 1.64	24 1.67	24 1.70	23 1.72	23 1.75	22 1.77	22 1.79	21 1.83				
5BDU 20GB-A	1-1/2	120/208-230	1155	5367	5227	5086	4947	4797	4640	4483	4136	216	46839	2	1,445.00
				22 1.31	21 1.34	21 1.38	21 1.41	20 1.43	19.8 1.46	19.2 1.47	18.4 1.50				

Performance certified for installation type A: free inlet, free outlet. Performance rating includes the effect of bird screen.

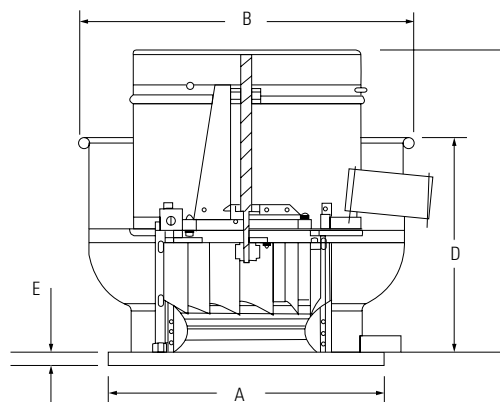
‡ Power rating (BHP) does not include transmission losses.

† The sound ratings shown are loudness values in fan sones at 5 ft. (1.5m) in a hemispherical free field calculated per AMCA standard 301. Values shown are for installation type A, free inlet hemispherical sone levels.

* 3 phase motor

Dimensions

Model	A	B	C	D	E
5BDU 10	19	23 ⁷ / ₈	23 ³ / ₈	16 ⁷ / ₈	1 ¹ / ₂
5BDU 12	22	26 ¹ / ₂	24 ¹ / ₄	17 ³ / ₄	1 ¹ / ₂
5BDU 13	22	27 ⁷ / ₈	24 ⁵ / ₈	18 ¹ / ₂	1 ¹ / ₂
5BDU 15	26	29 ⁷ / ₈	27 ³ / ₈	19 ³ / ₈	1 ¹ / ₂
5BDU 16	26	31 ³ / ₄	27 ³ / ₄	20 ¹ / ₈	1 ¹ / ₂
5BDU 18	30	34	29 ⁷ / ₈	21 ¹ / ₈	1 ¹ / ₂
5BDU 20	30	36 ¹ / ₂	30 ¹ / ₄	22	1 ¹ / ₂
5BDU 24	34	42 ³ / ₈	33	24 ¹ / ₂	1 ¹ / ₂
5BDU 30	42	49 ¹ / ₂	38 ³ / ₄	27 ¹ / ₂	1 ¹ / ₂
5BDU 36	46	58 ¹ / ₆	42 ⁷ / ₈	31 ¹ / ₂	1 ¹ / ₂



Dimensional information is in inches.

Specification data

Model	Rated power	Voltage	RPM	0.0" P _s	0.125" P _s	0.25" P _s	0.375" P _s	0.50" P _s	0.625" P _s	0.75" P _s	1.00" P _s	Shipping weight	Item #	Class 1 or 2	List price
	HP	V	min ⁻¹	cfm											
				Sones [†] BHP [#]											
5BDU 20HX-A*	2	208-230/460	1270	5902	5774	5647	5519	5391	5252	5108	4823	212	46841	1	1,552.00
				25 1.75	25 1.78	24 1.82	24 1.85	24 1.88	23 1.91	23 1.93	23 1.97				
5BDU 24GB-A	1-1/2	120/208-230	820	7306	7062	6818	6535	6245	5954	5632	4800	248	46849	1	1,723.00
				19.5 1.34	18.7 1.38	18.2 1.41	17.4 1.44	16.6 1.47	15.9 1.49	17.7 1.50	14.9 1.49				
5BDU 24HX-A*	2	208-230/460	900	8018	7796	7573	7334	7070	6806	6541	5945	244	46851	1	1,830.00
				24 1.76	23 1.81	22 1.85	22 1.89	21 1.92	19.7 1.95	19.0 1.97	18.1 1.99				

Performance certified for installation type A: free inlet, free outlet. Performance rating includes the effect of bird screen.

[#] Power rating (BHP) does not include transmission losses.

[†] The sound ratings shown are loudness values in fan sones at 5 ft. (1.5m) in a hemispherical free field calculated per AMCA standard 301. Values shown are for installation type A, free inlet hemispherical sone levels.

* 3 phase motor

Upblast fans with a "-A" designation indicate fans available as fully assembled. For models with a complete range of motor and shell configurations, refer to page 138. These fans are shipped unassembled as Shell, Motor, and Drive Pack separately. The shell comes complete with a blower wheel, shaft assembly and motor mount installed. Installation of the motor and drive pack components ranges from 5-10 minutes depending on the skill range of the installer.

Accessories



5ACC..FS
Flat Roof Curb
page 249



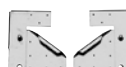
5ACC..FT
Flat Roof Curb
page 249



5ACC..VC
Vented Curb
page 249



5ACC..GC
Grease Collector
page 250



5ACC..HK
Hinge Kit
page 250



5ACC..RD
Roof Mount Damper
page 251



5ACC..MS
Motor Disconnect
page 242

5BDU Series

Belt Drive Upblast Roof Ventilators



Fantech, Inc. certifies that the Belt-Drive Upblast Centrifugal Roof Ventilators shown herein are licensed to bear the AMCA Seal. The ratings shown are based on tests and procedures performed in accordance with AMCA Publication 211 and AMCA Publication 311 and comply with the requirements of the AMCA Certified Ratings Program.

To complete our range of Upblast Roof fans, and allow for maximum quick turn availability, Fantech offers the complete range as 3 easily assembled components. The fans come with a Shell featuring a fully welded windband, heavy duty motor supports and machine balanced and mounted blower wheel. Factory pressed bearings complete the shaft and motor mount assembly.

Choosing the right motor is as easy as finding your desired airflow and matching that performance with the corresponding motor size and drive pack. Not all available motor combinations are shown in the specification data table below. Please, refer to our online PRV selection tool for a complete listing of Fan combinations and performance data at fancelect.fantech.net

Specification data

Model	Rated power	Voltage	RPM	0.0" P _s	0.125" P _s	0.25" P _s	0.375" P _s	0.50" P _s	0.625" P _s	0.75" P _s	0.875" P _s	1.00" P _s	1.25" P _s
	HP	V	min ⁻¹	cfm									
	Sones [†] BHP [‡]												
5BDU 12	1/4	120 / 230	1423	1390	1328	1266	1195	1121	1034	939	831	-	-
				12.5 0.21	12.3 0.22	11.7 0.23	11.3 0.23	10.8 0.24	10.2 0.24	9.7 0.24	9.5 0.24	-	-
5BDU 13	1/4	120 / 230	1210	1730	1638	1543	1443	1334	1216	1061	-	-	-
				12.2 0.21	11.2 0.22	11.5 0.23	11.0 0.24	10.3 0.25	9.4 0.25	8.5 0.25	-	-	-
	1/3	120 / 230	1330	1902	1818	1734	1643	1552	1449	1343	1201	-	-
				14.1 0.28	13.7 0.29	13.1 0.30	12.9 0.31	12.5 0.32	11.7 0.33	11.1 0.33	10.2 0.33	-	-
5BDU 15	1/4	120/208-230	1033	1950	1840	1727	1599	1450	1258	-	-	-	-
				11.8 0.22	11.5 0.23	11.5 0.24	10.8 0.25	10.5 0.25	9.9 0.25	-	-	-	-
	1/3	120/208-230	1136	2145	2045	1945	1832	1713	1571	1393	-	-	-
				13.1 0.29	12.8 0.30	12.5 0.31	12.3 0.32	12.0 0.33	11.4 0.33	10.8 0.33	-	-	-
1/2	120/208-230 208-230/460	1301	2456	2369	2282	2193	2091	1989	1868	1745	1572	-	
			15.4 0.44	15.4 0.45	15.1 0.47	14.9 0.48	14.4 0.49	14.1 0.49	13.8 0.50	13.2 0.50	12.9 0.49	-	
5BDU 16	1/3	120 / 230	960	2520	2377	2232	2076	1910	1702	1390	-	-	-
				12.4 0.29	12.1 0.30	11.7 0.31	10.9 0.32	10.6 0.33	9.6 0.33	8.8 0.31	-	-	-
	1/2	120/208-230 208-230/460	1100	2887	2762	2637	2507	2370	2226	2077	1847	1529	-
				15.7 0.44	14.7 0.45	14.2 0.46	13.5 0.47	12.8 0.48	12.0 0.49	11.8 0.50	11.4 0.49	9.8 0.47	-
	3/4	120/208-230 208-230/460	1260	3307	3198	3098	2980	2864	2744	2623	2492	2360	-
				18.2 0.66	17.7 0.68	17.4 0.69	17.2 0.70	16.2 0.71	15.7 0.72	15.3 0.74	14.9 0.74	14.2 0.75	-
5BDU 18	1/3	120 / 230	811	2765	2600	2419	2217	1987	1676	-	-	-	-
				10.1 0.27	9.8 0.29	9.6 0.30	9.2 0.31	8.6 0.31	8.4 0.31	-	-	-	-
	1/2	120/208-230 208-230/460	928	3164	3020	2873	2701	2523	2321	2070	-	-	-
				11.7 0.41	11.5 0.43	11.6 0.44	11.2 0.46	10.5 0.47	10.1 0.47	9.8 0.47	-	-	-
3/4	120/208-230 208-230/460	1062	3621	3496	3368	3233	3080	2926	2753	2577	2335	-	
			14.8 0.61	14.5 0.63	14.3 0.65	14.1 0.67	13.9 0.69	13.3 0.69	12.8 0.70	12.6 0.70	11.9 0.70	-	
5BDU 20	1/3	120 / 230	695	3329	2996	2742	2456	2094	-	-	-	-	-
				12.9 0.29	12.2 0.30	11.8 0.32	11.4 0.33	11.2 0.32	-	-	-	-	-
	1/2	120/208-230 208-230/460	800	3718	3515	3304	3078	2820	2527	2005	-	-	-
				14.0 0.44	13.6 0.46	13.1 0.48	12.6 0.49	12.2 0.50	12.3 0.50	12.0 0.47	-	-	-
	3/4	120/208-230 208-230/460	915	4252	4075	3898	3703	3505	3282	3039	2734	2175	-
				15.7 0.65	15.3 0.68	15.1 0.70	14.5 0.72	14.3 0.74	13.7 0.75	13.9 0.75	13.4 0.74	12.8 0.68	-
	1	120/208-230 208-230/460	1010	4693	4533	4373	4206	4026	3846	3643	3423	3181	1422
				17.6 0.88	17.2 0.91	17.1 0.93	16.6 0.96	16.2 0.96	16.2 0.96	15.5 1.00	14.9 1.00	14.9 1.00	14.8 0.63

Performance certified for installation type A: free inlet, free outlet. Performance rating includes the effect of bird screen. [‡] Power rating (BHP) does not include transmission losses. [†] The sound ratings shown are loudness values in fan sones at 5 ft. (1.5m) in a hemispherical free field calculated per AMCA standard 301. Values shown are for installation type A, free inlet hemispherical sone levels.

5BDU Series

Belt Drive Upblast Roof Ventilators



Fantech, Inc. certifies that the Direct-Drive Upblast Centrifugal Roof Ventilators shown herein are licensed to bear the AMCA Seal. The ratings shown are based on tests and procedures performed in accordance with AMCA Publication 211 and AMCA Publication 311 and comply with the requirements of the AMCA Certified Ratings Program.

Specification data (cont.)

Model	Rated power	Voltage	RPM	0.0" P _s	0.125" P _s	0.25" P _s	0.375" P _s	0.50" P _s	0.625" P _s	0.75" P _s	0.875" P _s	1.00" P _s	1.25" P _s	1.50" P _s
	HP	V	min ⁻¹	cfm										
	Sones [†] BHP [#]													
5BDU 24	1/3	120 / 230	495	4410	3989	3503	2826	-	-	-	-	-	-	-
				10.6 0.29	10.4 0.32	10.0 0.33	9.8 0.32	-	-	-	-	-	-	-
	1/2	120/230 208-230/460	570	5078	4727	4313	3866	3239	-	-	-	-	-	-
				11.9 0.45	11.9 0.48	11.3 0.50	11.0 0.51	10.4 0.50	-	-	-	-	-	-
3/4	120/208-230 208-230/460	650	5791	5477	5126	4732	4324	3865	-	-	-	-	-	
			14.4 0.67	14.4 0.70	13.7 0.73	13.7 0.74	13.4 0.75	11.4 0.75	-	-	-	-	-	
1	120/208-230 208-230/460	720	6415	6137	5842	5510	5180	4801	4310	3714	-	-	-	
			15.8 0.90	15.6 0.94	14.3 0.97	14.1 1.00	13.8 1.01	13.2 1.01	13.0 1.00	12.9 0.97	-	-	-	
5BDU 30	1/2	120/230 208-230/460	412	6232	5658	4955	4105	-	-	-	-	-	-	
				16.1 0.42	15.1 0.46	14.5 0.47	14.2 0.47	-	-	-	-	-	-	
	3/4	120/208-230 208-230/460	471	7124	6622	6049	5391	4627	-	-	-	-	-	
				17.6 0.63	15.7 0.67	14.6 0.70	14.6 0.70	13.9 0.70	-	-	-	-	-	
	1	120/208-230 208-230/460	519	7850	7394	6901	6352	5709	4992	-	-	-	-	
				19.1 0.85	15.7 0.89	15.2 0.93	14.6 0.94	14.6 0.94	14.0 0.93	-	-	-	-	
	1-1/2	120/208-230 208-230/460	594	8985	8586	8188	7716	7233	6669	6072	5417	-	-	
				16.5 1.27	17.3 1.32	16.3 1.37	15.9 1.40	15.6 1.41	15.1 1.41	14.4 1.40	14.1 1.38	-	-	
	2	208-230/460	653	9877	9515	9152	8755	8319	7867	7354	6824	6230	-	
				19.7 1.69	19.4 1.75	18.3 1.80	18.0 1.84	17.3 1.86	16.0 1.87	15.9 1.87	15.1 1.87	14.5 1.85	-	
	3	208-230/460	748	11314	10988	10681	10365	10005	9624	9242	8814	8367	7394	
				24 2.53	23 2.60	22 2.67	22 2.72	21 2.77	19.8 2.79	18.9 2.81	18.4 2.81	17.7 2.81	16.9 2.79	
5	208-230/460	887	13417	13150	12883	12616	12350	12065	11744	11422	11100	10393	9638	
			30 4.23	30 4.31	30 4.38	30 4.46	28 4.52	28 4.58	27 4.63	26 4.66	25 4.68	24 4.69	23 4.66	
5BDU 36	3/4	120/208-230 208-230/460	339	9392	8509	7552	6179	-	-	-	-	-	-	
				9.3 0.67	8.6 0.71	8.4 0.74	7.9 0.73	-	-	-	-	-	-	
	1	120/208-230 208-230/460	373	10334	9532	8679	7654	6202	-	-	-	-	-	
				10.9 0.89	9.8 0.94	9.4 0.98	8.9 0.98	8.3 0.94	-	-	-	-	-	
	1-1/2	120/208-230 208-230/460	427	11830	11129	10411	9645	8694	7443	-	-	-	-	
				13.0 1.34	12.2 1.39	11.5 1.44	11.1 1.47	10.8 1.47	10.0 1.44	-	-	-	-	
	2	208-230/460	470	13021	12384	11748	11058	10336	9430	8267	-	-	-	
				15.5 1.78	14.6 1.84	14.1 1.89	13.5 1.94	13.1 1.97	12.5 1.96	12.0 1.92	-	-	-	
	3	208-230/460	538	14905	14349	13793	13224	12616	12008	11231	10432	9307	-	
				19.1 2.68	18.8 2.74	17.8 2.80	17.0 2.86	16.7 2.92	16.2 2.95	15.8 2.95	15.0 2.92	14.8 2.87	-	
5	208-230/460	637	17647	17178	16708	16239	15763	15249	14736	14222	13573	12147	7546	
			23 4.44	23 4.52	23 4.59	21 4.67	21 4.74	21 4.81	20 4.86	20 4.90	19.8 4.90	18.4 4.85	17.3 3.55	

Performance certified for installation type A: free inlet, free outlet. Performance rating includes the effect of bird screen.[#] Power rating (BHP) does not include transmission losses.

[†] The sound ratings shown are loudness values in fan sones at 5 ft. (1.5m) in a hemispherical free field calculated per AMCA standard 301. Values shown are for installation type A, free inlet hemispherical sone levels.

5BDU Series*

Upblast Roof Ventilator Components

Model	Shell			HP	1 Phase for Fans Less Motor and Drive						3 Phase for Fans Less Motor and Drive					
	Item #	List Price	Shipping Weight		Drive Pack			Motor			Drive Pack			Motor		
		USD	lbs		Item #	DP ID	List Price	Item #	Motor ID	List Price	Item #	DP ID	List Price	Item #	Motor ID	List Price
							USD			USD			USD			USD
5BDU10	49800	535.00	90	1/4	48992	DP-10"-BB	53.00	49907	MOT BB	105.00						
5BDU12	49801	589.00	100	1/4	48993	DP-12"-BB	58.00	49907	MOT BB	105.00						
				1/3	48994	DP-12"-CB	58.00	49909	MOT CB	142.00						
5BDU13	49802	642.00	105	1/4	48995	DP-13"-BB	60.00	49907	MOT BB	105.00						
				1/3	48996	DP-13"-CB	60.00	49909	MOT CB	142.00						
				1/2	48997	DP-13"-DB	60.00	49910	MOT DB	144.00	49000	DP-13"-DX	60.00	49911	MOT DX	172.00
5BDU15	49803	696.00	120	1/4	49001	DP-15"-BB	66.00	49907	MOT BB	105.00						
				1/3	49002	DP-15"-CB	66.00	49909	MOT CB	142.00						
				1/2	49003	DP-15"-DB	66.00	49910	MOT DB	144.00	49004	DP-15"-DX	66.00	49911	MOT DX	172.00
				3/4	49005	DP-15"-EB/EX	66.00	49912	MOT EB	247.00	49005	DP-15"-EB/EX	66.00	49913	MOT EX	210.00
				1	49007	DP-15"-FB/FX	66.00	49914	MOT FB	221.00	49007	DP-15"-FB/FX	66.00	49915	MOT FX	221.00
5BDU16	49804	749.00	125	1/3	49010	DP-16"-CB	68.00	49909	MOT CB	142.00						
				1/2	49011	DP-16"-DB	68.00	49910	MOT DB	144.00	49012	DP-16"-DX	68.00	49911	MOT DX	172.00
				3/4	49013	DP-16"-EB/EX	68.00	49912	MOT EB	247.00	49013	DP-16"-EB/EX	68.00	49913	MOT EX	210.00
				1	49015	DP-16"-FB/FX	68.00	49914	MOT FB	221.00	49015	DP-16"-FB/FX	68.00	49915	MOT FX	221.00
5BDU18	49805	910.00	171	1/3	49017	DP-18"-CB	74.00	49909	MOT CB	142.00						
				1/2	49018	DP-18"-DB	74.00	49910	MOT DB	144.00	49019	DP-18"-DX	74.00	49911	MOT DX	172.00
				3/4	49020	DP-18"-EB/EX	74.00	49912	MOT EB	247.00	49020	DP-18"-EB/EX	74.00	49913	MOT EX	210.00
				1	49022	DP-18"-FB/FX	74.00	49914	MOT FB	221.00	49022	DP-18"-FB/FX	74.00	49915	MOT FX	221.00
				1-1/2	49024	DP-18"-GB	74.00	49916	MOT GB	299.00	49024	DP-18"-GB	74.00	49917	MOT GX	285.00
				2							49026	DP-18"-HX	74.00	49918	MOT HX	562.00
5BDU20	49806	963.00	173	1/3	49027	DP-20"-CB	79.00	49909	MOT CB	142.00						
				1/2	49028	DP-20"-DB	79.00	49910	MOT DB	144.00	49029	DP-20"-DX	79.00	49911	MOT DX	172.00
				3/4	49031	DP-20"-EB/EX	79.00	49912	MOT EB	247.00	49031	DP-20"-EB/EX	79.00	49913	MOT EX	210.00
				1	49032	DP-20"-FB/FX	79.00	49914	MOT FB	221.00	49032	DP-20"-FB/FX	79.00	49915	MOT FX	221.00
				1-1/2	49036	DP-20"-GB/GX	79.00	49916	MOT GB	299.00	49036	DP-20"-GB/GX	79.00	49917	MOT GX	285.00
				2							49038	DP-20"-HX	79.00	49918	MOT HX	562.00
5BDU24	49807	1,070.00	205	1/3	49039	DP-24"-CB	89.00	49909	MOT CB	142.00						
				1/2	49040	DP-24"-DB	89.00	49910	MOT DB	144.00	49041	DP-24"-DX	89.00	49911	MOT DX	172.00
				3/4	49042	DP-24"-EB/EX	89.00	49912	MOT EB	247.00	49042	DP-24"-EB/EX	89.00	49913	MOT EX	210.00
				1	49044	DP-24"-FB/FX	89.00	49914	MOT FB	221.00	49044	DP-24"-FB/FX	89.00	49915	MOT FX	221.00
				1-1/2	49046	DP-24"-GB/GX	89.00	49916	MOT GB	299.00	49046	DP-24"-GB/GX	89.00	49917	MOT GX	285.00
				2							49051	DP-24"-HX	89.00	49918	MOT HX	562.00
5BDU30	49808	1,926.00	305	1/2	49466	DP-30"-DB	105.00	49910	MOT DB	144.00	49052	DP-30"-DX	105.00	49911	MOT DX	172.00
				3/4	49053	DP-30"-EB/EX	105.00	49912	MOT EB	247.00	49053	DP-30"-EB/EX	105.00	49913	MOT EX	210.00
				1	49055	DP-30"-FB/FX	105.00	49914	MOT FB	221.00	49055	DP-30"-FB/FX	105.00	49915	MOT FX	221.00
				1-1/2	49057	DP-30"-GB/GX	105.00	49916	MOT GB	299.00	49057	DP-30"-GB/GX	105.00	49917	MOT GX	285.00
				2							49060	DP-30"-HX	105.00	49918	MOT HX	562.00
				3							49061	DP-30"-JX	105.00	49919	MOT JX	664.00
				5							49062	DP-30"-KX	105.00	49920	MOT KX	568.00
5BDU36	49809	2,782.00	385	3/4	49063	DP-36"-EB/EX	121.00	49912	MOT EB	247.00	49063	DP-36"-EB/EX	121.00	49913	MOT EX	210.00
				1	49065	DP-36"-FB/FX	121.00	49914	MOT FB	221.00	49065	DP-36"-FB/FX	121.00	49915	MOT FX	221.00
				1-1/2	49067	DP-36"-GB/GX	121.00	49916	MOT GB	299.00	49067	DP-36"-GB/GX	121.00	49917	MOT GX	285.00
				2							49069	DP-36"-HX	121.00	49918	MOT HX	562.00
				3							49070	DP-36"-JX	121.00	49919	MOT JX	664.00
				5							49072	DP-36"-KX	121.00	49920	MOT KX	568.00

*All items listed on this page are Class 1.

DID YOU KNOW..

Fantech's Technical Support Professionals can cross reference your Roof Fan schedules to provide you with the project assistance you need.

USA • 800.747.1762

5DDU EC Series

Direct Drive Upblast Roof Ventilators



Fantech, Inc. certifies that the Direct-Drive Upblast Centrifugal Roof Ventilators shown herein are licensed to bear the AMCA Seal. The ratings shown are based on tests and procedures performed in accordance with AMCA Publication 211 and AMCA Publication 311 and comply with the requirements of the AMCA Certified Ratings Program.

Upblast ventilators are designed for continuous operation to exhaust foul air, smoke, fumes, odors and grease-laden vapors from range hoods and commercial cooking appliances. Ventilators are designed for installation in industrial, institutional and commercial kitchen applications. 5DDU-EC Series feature energy saving EC motors, which are ideal for applications requiring demand control ventilation, for example, apartment buildings, multi-purpose rooms with differing rates of ventilation, hi-rise buildings - single fan on riser exhausting multiple spaces or restaurant applications with grease laden air.

Factory preassembled with rpm speed control card with automation capability. Module can easily be mounted in optional NEMA 3R enclosure on the outside of the fan or inside the building.



- All ventilators are UL 705 and UL 762 Standards listed
- Driven by EC Technology
- Inlet temperatures up to 300°F
- Soft start-software provides overload protection
- Runs at optimal load due to the integrated electronic controls
- Multiple controller options
- 2-10V DC signal for manual control

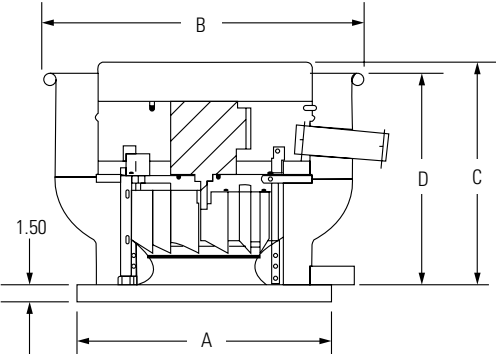
Specification data

Model	Rated power	Voltage / phase	RPM	0.0" P _s	0.25" P _s	0.50" P _s	0.75" P _s	1.00" P _s	1.25" P _s	Sones @ 0.25"	Shipping weight	Item #	Class 1 or 2	List price
	HP	V / ~	min ⁻¹	cfm Watts						lbs		USD		
5DDUEC 10EN	3/4	120/208/240	2060	1186 239	1052 250	908 262	748 271	554 261	175 203	15.4	85	49821	2	1,328.00
5DDUEC 12EN	3/4	120/208/240	1835	1951 435	1846 465	1737 478	1625 482	1495 477	1348 477	17.8	92	49822	2	1,508.00
5DDUEC 13EN	3/4	120/208/240	1685	2495 564	2376 586	2254 608	2112 623	1955 632	1780 634	18.9	95	49823	2	1,575.00
5DDUEC 15FN2*	1	120/208/240	1755	3252 977	3087 973	2922 968	2742 962	2563 956	2383 950	24	105	49824	2	1,800.00
5DDUEC 18FN*	1	120/208/240	1300	4840 1239	4570 1253	4292 1260	3983 1246	3670 1240	3350 1239	19.7	161	49826	2	1,935.00

Performance Certified is for Installation type A: free inlet, free outlet. Performance rating includes the effects of a bird screen. Speed (RPM) is nominal and performance is based on actual speed of test. Values shown are for installation type A, free inlet hemispherical sone levels.

* The Sound ratings shown are loudness values in fan sones at 5 ft. (1.5m) in a hemispherical free field calculated.

Dimensions



Model	A	B	C	D
5DDUEC 10EN	19	23 7/8	18 7/8	17 7/8
5DDUEC 12EN	22	26 5/32	19 5/8	17 3/4
5DDUEC 13EN	22	27 7/8	20 3/4	18 1/2
5DDUEC 15FN2	26	29 7/8	22	19 3/8
5DDUEC 18FN	30	34	24	21 1/8

Dimensional information is in inches.

Accessories



DPC 200
Pressure Controller
page 243



5ACC.. RD
Roof Mount Damper
page 251



5ACC.. VC
Vented Curb
page 249



5ACC.. MS
Motor disconnect
page 242

5DDU Series

Direct Drive Upblast Roof Ventilators



Fantech, Inc. certifies that the Direct-Drive Upblast Centrifugal Roof Ventilators shown herein are licensed to bear the AMCA Seal. The ratings shown are based on tests and procedures performed in accordance with AMCA Publication 211 and AMCA Publication 311 and comply with the requirements of the AMCA Certified Ratings Program.

Direct-drive upblast ventilators are designed for continuous operation to exhaust foul air, smoke, fumes, odors and grease-laden vapors from range hoods and commercial cooking appliances. Ventilators are designed for installation in industrial, institutional and commercial kitchen applications. All models are equipped with a backward inclined aluminum fan wheel and a speed controllable motor.

- All ventilators are listed UL 705 for electrical and UL 762 for restaurant exhaust except for 5DDU 085AY
- Inlet temperatures up to 300°F
- Backward inclined aluminum fan wheel
- Externally cooled motor compartment
- Fully welded windband

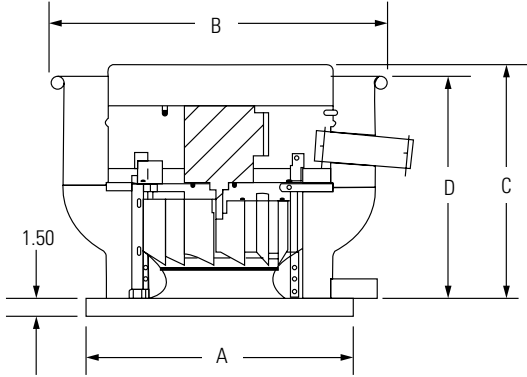


Specification data

Model	Rated power	Voltage / phase	RPM	0.0" P _s	0.125" P _s	0.25" P _s	0.375" P _s	0.50" P _s	0.625" P _s	0.75" P _s	1.00" P _s	Shipping weight	Item #	Class 1 or 2	List price
	HP	V / ~	min ⁻¹	cfm											
				Sones [†] BHP											
5DDU 085AY	1/25	120	1642	416	349	267	169	-	-	-	-	23	47333	2	375.00
				8.0 -	7.1 -	6.5 -	6.8 -	-	-	-	-				
5DDU 106A	1/20	120	1100	685	548	388	116	-	-	-	-	37	47334	2	455.00
				5.1 -	4.5 -	3.9 -	4.1 -	-	-	-	-				
5DDU 10AA	1/6	120	1725	1048	979	911	836	749	650	522	-	88	47335	2	535.00
				12.6 -	12.3 -	11.6 -	11.3 -	10.6 -	10.8 -	10.5 -	-				
5DDU 12CA	1/3	120	1557	1531	1469	1406	1340	1272	1193	1107	897	109	47337	2	669.00
				13.8 0.27	13.5 0.29	13.3 0.31	12.9 0.32	12.6 0.33	12.3 0.34	12.0 0.35	11.3 0.33				
5DDU 13DB	1/2	120/230	1690	2419	2352	2285	2218	2145	2072	1992	1829	117	47339	2	803.00
				20 0.54	20 0.55	19.5 0.56	19.0 0.58	18.6 0.59	18.2 0.60	17.9 0.62	17.4 0.63				
5DDU 15CA	1/3	120	1144	2174	2070	1963	1849	1714	1568	1375	-	130	47340	2	963.00
				13.5 0.27	13.0 0.28	12.5 0.30	12.0 0.31	11.4 0.32	10.8 0.32	10.0 0.32	-				
5DDU 16DB	1/2	120/230	1145	2859	2739	2619	2494	2369	2219	2063	1502	144	47342	2	1,017.00
				15.6 0.41	15.0 0.43	14.5 0.45	13.7 0.47	13.2 0.48	12.6 0.49	12.2 0.49	11.0 0.46				
5DDU 18EB	3/4	120/230	1111	3899	3787	3644	3495	3337	3181	3011	2616	159	47343	2	1,124.00
				21 0.73	21 0.75	20 0.78	19.8 0.80	18.9 0.81	18.0 0.83	17.3 0.84	16.9 0.85				

Performance certified is for installation type A: free inlet, free outlet. Performance rating includes the effects of bird screen. Speed (RPM) shown is nominal, and performance is based on actual speed of test.
[†] The sound ratings shown are loudness values in fan sones at 5 ft. (1.5m) in a hemispherical free field calculated per AMCA standard 301. Values shown are for installation type A, free inlet hemispherical sone levels.

Dimensions



Model	A	B	C	D
5DDU 085AY	19	20 1/2	12 1/8	10
5DDU 106A	19	23 7/8	18 7/8	16 7/8
5DDU 10AA	19	23 7/8	18 7/8	16 7/8
5DDU 12CA	22	26 1/8	19 5/8	17 3/4
5DDU 13DB	22	27 7/8	20 3/4	18 1/2
5DDU 15CA	26	29 7/8	22	19 3/8
5DDU 16DB	26	31 3/4	22 3/4	20 1/8
5DDU 18EB	30	34	24	21 1/8

Dimensional information is in inches.

Accessories



5ACC.. RD
Roof Mount Damper
page 251



5ACC.. SC
Speed Control
page 242



5ACC.. VC
Vented Curb
page 249



5ACC.. MS
Motor Disconnect
page 242

**There is no
substitute for
hard work
and proper
ventilation.**



Workshop

Ventilation solutions

Whether it's welding, plasma cutting, grinding, milling or soldering all give off smoke or noxious fumes, which if not vented properly can be harmful to employees, users or operators.

Spot ventilation with a Fantech 5DDD Direct Drive Downblast exhaust fan prevents these noxious fumes escaping the capture hood or process vent, thereby aiding indoor air quality (IAQ) and the health of employees. Studies show healthy employees are more productive.

What goes out must come in so goes physics, supplying fresh make up air with a 5FSU aids IAQ and fulfills the code requirement for ventilation.

Fantech roof fans are designed for ease of installation and maintenance.

2 **5FSU 15FB**
Filtered Supply Unit

\$1,624.-

1. 5DDD 12CA / \$508.-

Direct Drive Downblast Ventilator

120V, $\frac{1}{3}$ HP, 1605 cfm @ 0.25" P_s, max P_s=1.00" P_s

For steady exhaust ventilation. The model is equipped with a backward inclined aluminum fan wheel and a speed controllable motor.

UL 705 Standard listed. See page 148.

2. FSU 15FB / \$1,624.-

Filtered Supply Unit

120/230V, 4216 cfm @ 0.25" P_s, max 1.00" P_s

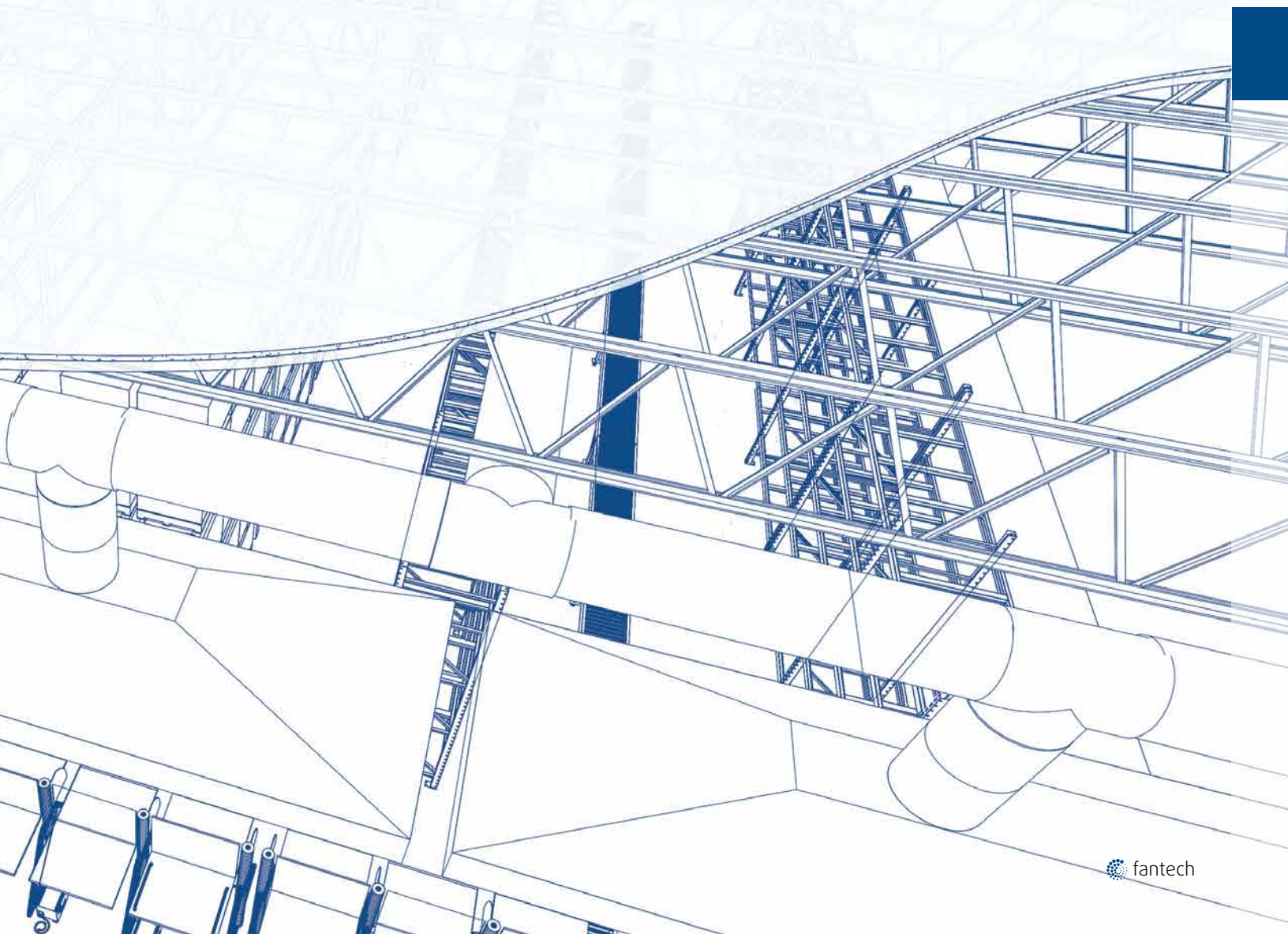
Belt-driven filtered supply units for roof or wall installation. The single-sided unit provides filtered supply air to industrial and commercial buildings.

UL705 Standard listed. See page 150.



5DDD 12CA
Direct Drive Downblast

\$508.-



5DDD Series

Direct Drive Downblast Roof Ventilator



Fantech, Inc. certifies that the Direct-Drive Downblast Centrifugal Roof Ventilators shown herein are licensed to bear the AMCA Seal. The ratings shown are based on tests and procedures performed in accordance with AMCA Publication 211 and AMCA Publication 311 and comply with the requirements of the AMCA Certified Ratings Program.

Direct-drive downblast ventilators are designed for use where steady exhaust ventilation is needed under low to moderate static pressure conditions. Ventilators can be mounted on the roof or wall. All models are equipped with a backward inclined aluminum fan wheel and a speed controllable motor.

- All ventilators are UL 705 Standard listed
- One-piece removable exhaust hood
- Inlet temperatures up to 170°F
- Backward inclined aluminum fan wheel
- Equipped with a built-in bird screen to protect discharge
- Externally cooled motor compartment

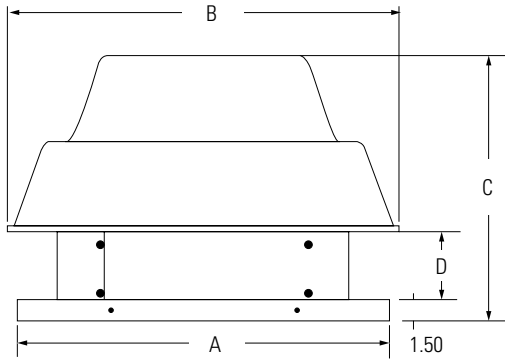


Specification data

Model	Rated power	Voltage / phase	RPM	0.0" P _s	0.125" P _s	0.25" P _s	0.375" P _s	0.50" P _s	0.625" P _s	0.75" P _s	1.00" P _s	Shipping weight	Item #	Class 1 or 2	List price
	HP	V / ~	min ⁻¹	cfm											
				Sones † BHP †											
5DDD 085A	1/25	120	1661	414	345	259	157	-	-	-	-	26	47386	2	294.00
				6.8 -	6.0 -	5.9 -	5.4 -	-	-	-	-				
5DDD 106A	1/20	120	1150	645	484	309	-	-	-	-	-	94	47387	2	375.00
				5.5 -	5.5 -	5.0 -	-	-	-	-	-				
5DDD 10AA	1/6	120	985	985	911	824	724	619	498	352	-	86	47388	2	428.00
				9.6 -	9.4 -	9.1 -	8.1 -	7.9 -	7.8 -	-	-				
5DDD 12CA	1/3	120	1694	1743	1670	1605	1543	1475	1392	1316	1137	101	47392	2	508.00
				15.6 0.35	15.3 0.35	14.9 0.36	14.6 0.36	14.2 0.37	13.8 0.38	13.6 0.39	13.2 0.39				
5DDD 13DB	1/2	120/230	1684	2553	2477	2402	2326	2245	2159	2073	1866	115	47394	2	696.00
				18.2 0.44	17.5 0.47	17.1 0.48	15.6 0.49	14.2 0.51	13.4 0.51	12.7 0.56	11.4 0.57				
5DDD 15CA	1/3	120	1124	2160	2045	1930	1792	1645	1481	1255	-	132	47399	2	803.00
				11.9 0.32	11.5 0.33	11.1 0.34	10.3 0.34	9.7 0.34	9.1 0.34	9.0 0.34	-				
5DDD 16DB	1/2	120/230	1143	2914	2787	2660	2526	2389	2231	2061	1493	142	47401	2	856.00
				15.9 0.45	14.7 0.46	14.2 0.48	13.4 0.49	11.7 0.50	10.3 0.50	10.3 0.50	11.0 0.49				
5DDD 18EB	3/4	120/230	1106	4037	3902	3766	3629	3476	3324	3147	2765	157	47403	2	1,017.00
				19.8 0.75	19.5 0.77	19.2 0.80	18.8 0.82	18.4 0.85	18.0 0.87	17.8 0.89	17.5 0.89				

Performance certified is for installation type A: free inlet, free outlet. Performance rating includes the effects of bird screen. Speed (RPM) shown is nominal, and performance is based on actual speed of test.
 † The sound ratings shown are loudness values in fan sones at 5 ft. (1.5m) in a hemispherical free field calculated per AMCA standard 301. Values shown are for installation type A, free inlet hemispherical sone levels.

Dimensions



Model	A	B	C	D
5DDD 085A	19	18 ⁷ / ₈	13 ¹ / ₄	3 ¹ / ₂
5DDD 106A	19	22 ³ / ₈	16 ¹ / ₂	3 ³ / ₈
5DDD 10AA	19	22 ³ / ₈	16 ¹ / ₂	3 ³ / ₈
5DDD 12CA	22	24 ¹ / ₄	17 ¹ / ₈	4
5DDD 13DB	22	25 ⁵ / ₈	18 ¹ / ₈	4 ³ / ₈
5DDD 15CA	26	27 ⁷ / ₈	18 ¹ / ₂	4 ³ / ₈
5DDD 16DB	26	29 ³ / ₄	20 ¹ / ₄	4 ³ / ₄
5DDD 18EB	30	31 ⁵ / ₈	21 ³ / ₈	5 ⁵ / ₈

Dimensional information is in inches.

Accessories



5ACC.. FS
Flat Roof Curb
page 249



5ACC.. FT
Flat Roof Curb
page 249



5ACC.. RD
Wall Damper
page 251



1ACC.. SC
Speed Control
page 242



5ACC.. MS
Motor Disconnect
page 242

5FSU Series

Filtered Supply Unit



Fantech, Inc. certifies that the Ventilators shown herein are licensed to bear the AMCA Seal. The ratings shown are based on tests and procedures performed in accordance with AMCA Publication 211 and AMCA Publication 311 and comply with the requirements of the AMCA Certified Ratings Program.

Belt-drive filtered supply units are designed to be installed on the roof or wall (15" and 18" units roof-mount only). The single-sided units provide filtered supply air to industrial and commercial buildings and can easily be used in commercial or industrial kitchen applications. Units include one set of 1" washable aluminum filters.

- All ventilators are UL 705 Standard listed
- AMCA licensed for sound and air
- Lifting lugs are standard on all sizes for ease of transport
- Galvanized metal housing and base
- Variable pitch sheaves to allow speed and CFM adjustments



Specification data

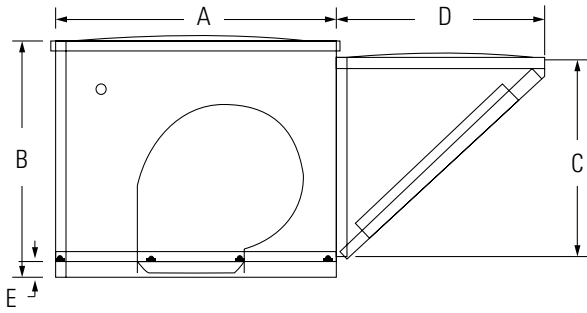
Model	Rated power	Voltage / phase	RPM	0.125" P _s	0.25" P _s	0.375" P _s	0.50" P _s	0.75" P _s	1.00" P _s	1.25" P _s	Shipping weight	Item #	Class 1 or 2	List price		
	HP	V / ~	min ⁻¹	cfm											lbs	USD
	Max BHP [†] LWA [‡]															
5FSU 10BB	1/4	120/230 / 1	689	1647 0.29 -	1387 0.29 81	1044 0.29 -	184 0.29 -	-	-	-	183	47640	2	1,041.00		
5FSU 10CB	1/3	120/230 / 1	760	1863 0.38 -	1637 0.38 82	1377 0.38 -	697 0.38 -	-	-	-	185	47508	2	1,115.00		
5FSU 10DB	1/2	120/230 / 1	870	2184 0.58 -	2000 0.58 82	1792 0.58 -	1557 0.58 -	334 0.58 -	-	-	198	47354	2	1,177.00		
5FSU 10FB	1	120/230 / 1	1090	2811 1.13 -	2679 1.13 84	2527 1.13 -	2368 1.13 -	2011 1.13 -	1420 1.13 -	-	197	47355	2	1,216.00		
5FSU 12EB	1	120/230 / 1	725	3021 0.79 -	2769 0.79 79	2468 0.79 -	2053 0.79 -	344 0.79 -	-	-	291	48670	2	1,469.00		
5FSU 15FB	1	120/230 / 1	670	3963 1.13 -	3671 1.13 78	3345 1.13 -	2931 1.13 -	1283 1.13 -	336 1.13 -	-	303	47776	2	1,624.00		
5FSU 15GB	1-1/2	120/230 / 1	745	4464 1.56 -	4216 1.56 81	3933 1.56 -	3616 1.56 -	2780 1.56 -	1079 1.56 -	340 1.56 -	309	47359	2	1,689.00		
5FSU 18GB	1-1/2	120/230 / 1	592	5409 1.50 -	4989 1.50 79	4515 1.50 -	4043 1.50 -	2386 1.50 -	809 1.50 -	-	449	47361	2	2,257.00		

Performance certified is for installation type B: Free Inlet, Ducted Outlet. Performance ratings include the effects of filters.

[†] Power ratings (BHP) do not include transmission losses. The A-weighted sound ratings are calculated per AMCA Standard 301.

[‡] Values shown are for total LWA sound power levels for Installation Type B: Free Inlet, Ducted Outlet. Ratings include the effects of duct end correction for the outlet duct.

Dimensions



Model	A	B	C	D	E
5FSU 10BB	30	25	21	22	1 1/2
5FSU 10CB	30	25	21	22	1 1/2
5FSU 10DB	30	25	21	22	1 1/2
5FSU 10FB	30	25	21	22	1 1/2
5FSU 12EB	34 1/2	32	26	30	2
5FSU 15FB	34 1/2	32	26	30	2
5FSU 15GB	34 1/2	32	26	30	2
5FSU 18GB	42	36	31	33	2

Dimensional information is in inches.

Accessories



5ACC..MS
Motor Disconnect
page 242

**BIGGER. BOLDER.
MORE INTUITIVE..**

..JUST LIKE US.

Find everything you need, when you need it.

The Fantech website provides tailored tools and information for Architects, Home & Building Owners, Contractors, Engineers, and Facility managers, including: streamlined access to products & service information, improved search capabilities, online product selector, and much more. That's simply better™.

fantech.net



Use the on-line product selector

Fantech's product selector help you find the right product.

Fans >

What do you think?

Our new website is bigger, bolder, better and features an easier, more productive online experience. As we will continue to improve and refine the website, we look forward to hearing your feedback.

To share, please [click here](#).

Latest News simply better™

Best Sellers - Inline Fans



FKD 12 XL
Art. nr. 40018



FR 110
Art. nr. 411331



FRD 12-6
Art. nr. 40030

Documentation

Here you will find documents about our products and solutions. You are welcome to download or read them online.

Best Sellers - HRVs & ERVs



SHR8004
Art. nr. 40443-1



Flex 100H
Art. nr. 44001



SER1504
Art. nr. 40085

Customer Support

Contact Fantech for efficient ventilation products for your next application.



- Country -

Best Sellers - Commercial Ventilators



1WMC24D2
Art. nr. 47065



2SHE1221
Art. nr. 47098



5BDD12CB-A
Art. nr. 46902

Fresh Air at your fingertips

With a new Eco-Touch™ controller fresh air is within your reach. [More](#)

Best Sellers - Controls & ADPs



MGE6
Art. nr. 411371



VT20M
Art. nr. 45386



LD10
Art. nr. 411286

Literature

 Product Catalog US Edition II 2014 (31 Mb) [» Read on-line](#)

About Fantech

- Facts in brief
- Product groups
- Manufacturing plants
- R&D
- Our culture

Working at Fantech

- Employees
- Careers

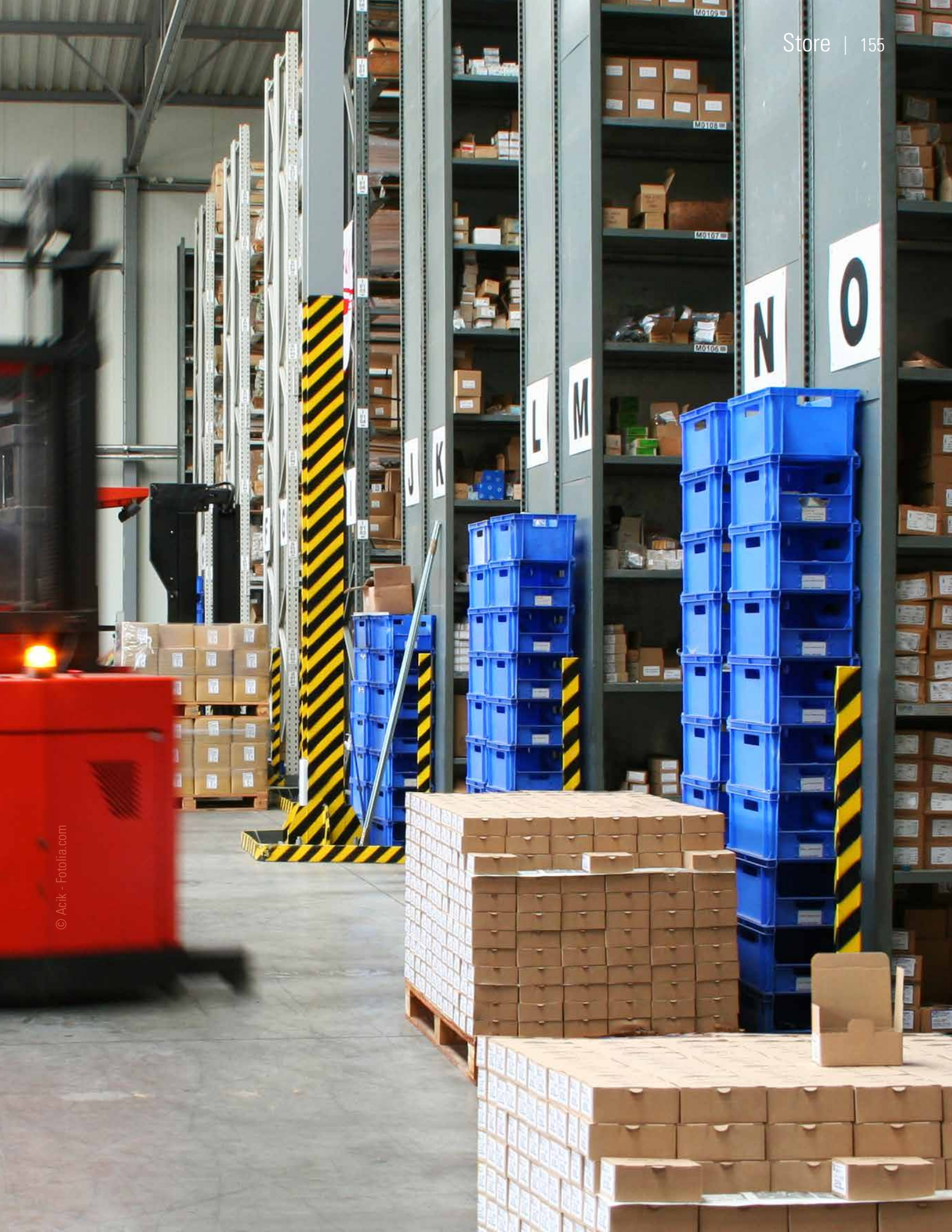
Media

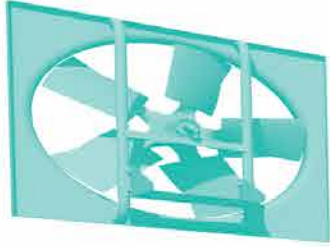
- Image bank
- Press releases

Reps & Distributors

- Login

**Keep air moving
while you keep
products moving.**





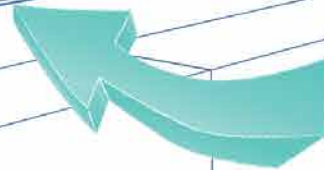
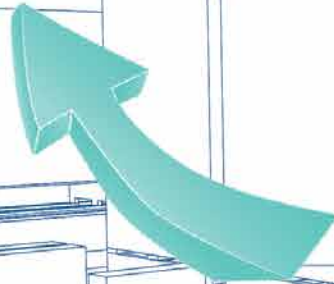
\$695.-

Standard Duty Exhaust
Wall Ventilator

1

1SDE 24DB

NEW



Warehouse

where ventilation is a must

Warehouses have a tendency to get very hot due to the high concentration and type of materials that are stored in them.

The code says the minimum ventilation in any warehouse is 0.06 cfm per sq.ft. Of course, this minimum does not take into account heat or VOC build-up where more ventilation may be required.

Maintaining good quality air in any warehouse is a must to ensure the health and safety of employees as well as the valuable inventory. Healthy workers in a safe environment are productive workers.

Using 1SDE 24DB Belt Drive Propeller Exhaust Ventilators to expel the contaminated or hot air, while bringing in a supply of fresh cooler air through 1ACC 24MD intake dampers is a simple cost effective ventilation solution.

1ACC 24MD
Motorized Damper

2

\$284.-

NEW

1. 1SDE 24DB / \$695.-

Standard Duty Exhaust Wall Ventilator

120V, 5910 cfm @ 0.125" P_s, 16,7 Sones @ 0.125" P_s
Designed to move large volumes of air quickly at relatively low static pressures. Ideal for light to medium duty applications such as warehouses, factories, parking garages, greenhouses, etc.
See page 158.

2. 1ACC 24MD / \$284.-

Motorized Damper

120/240V, 0.19/0.11A, 3500 fpm
Manufactured from 14-gauge galvanized steel frame 2" deep with 1" flange. Damper is equipped with a motor to open and a spring return to close.
See page 250.

1SDE Series **NEW**

Standard Duty Exhaust Wall Fans



Fantech, Inc. certifies that the Axial Exhaust Fans shown herein are licensed to bear the AMCA Seal. The ratings shown are based on tests and procedures performed in accordance with AMCA Publication 211 and AMCA Publication 311 and comply with the requirements of the AMCA Certified Ratings Program.

Standard duty belt drive exhaust wall fans are designed to move large volumes of air quickly at relatively low static pressures. They are ideal for light to medium duty applications such as warehouses, factories, parking garages, greenhouses, barns, mechanical rooms, gymnasiums, laundries and boiler rooms.

- Vertical/horizontal mounting options
- Adjustable motor mount and variable motor sheave permits easy RPM/CFM adjustment
- Rolled venturi for maximum air performance
- Final assembly is on-site (motor and drive pack shipped loose)
- All models are Class 2.
- See the motor/drive installation video on our YouTube channel [fantechusa](#)

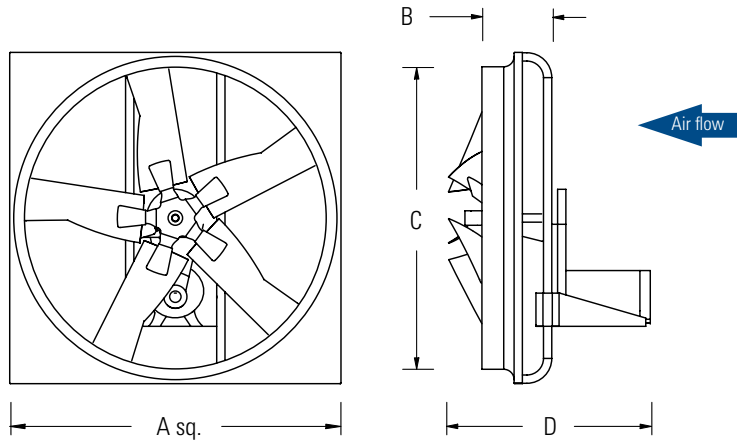


Specification data

Model	Rated power	RPM	Max BHP	0.0" P _s	0.125" P _s	0.25" P _s	0.375" P _s	Sones' @ 0.125" P _s	Shipping weight	Motor type	Item #	List price	Motor type	Item #	List price
	HP			cfm											
1SDE 24	1/4	650	0.32	5120	4195	2160	-	12.7	37	BB	K45525	644.00	-	-	-
	1/3	710	0.44	5595	4775	2830	1650	13.6	37	CB	K45526	653.00	-	-	-
	1/2	835	0.66	6580	5910	4970	3100	16.7	37	DB	K45527	695.00	DX	K45549	691.00
	3/4	945	0.93	7445	6870	6200	4800	19.2	37	EB	K45528	713.00	EX	K45550	696.00
1SDE 30	1/4	470	0.27	6895	4950	-	-	14.1	44	BB	K45529	675.00	-	-	-
	1/3	500	0.35	7335	5605	2320	-	14.3	44	CB	K45530	691.00	-	-	-
	1/2	585	0.52	8585	7305	4750	-	16.1	44	DB	K45531	720.00	DX	K45551	671.00
	3/4	670	0.80	9830	8805	7120	4130	17.7	44	EB	K45532	738.00	EX	K45552	682.00
	1	720	0.96	10565	9615	8205	5945	19.5	44	FB	K45533	805.00	FX	K45553	682.00
1SDE 36	1/3	415	0.38	10160	7590	-	-	14.1	54	CB	K45534	744.00	-	-	-
	1/2	485	0.62	11875	9915	5045	-	18.1	54	DB	K45535	767.00	DX	K45554	711.00
	3/4	540	0.88	13220	11490	8565	4215	22.0	54	EB	K45536	776.00	EX	K45555	725.00
	1	605	1.20	14815	13300	11415	6600	26.0	54	FB	K45537	785.00	FX	K45556	727.00
	1 1/2	660	1.53	16160	14805	13215	10400	30.0	54	GB	K45538	853.00	GX	K45557	733.00
1SDE 42	1/2	380	0.57	14515	11040	-	-	15.4	66	DB	K45539	795.00	DX	K45558	862.00
	3/4	430	0.79	16425	13670	6645	-	18.9	66	EB	K45540	880.00	EX	K45559	871.00
	1	460	1.04	17570	15045	8350	4855	21.0	66	FB	K45541	918.00	FX	K45560	853.00
	1 1/2	535	1.51	20435	18345	15480	8530	27.0	66	GB	K45542	978.00	GX	K45561	851.00
1SDE 48	1/2	315	0.49	17060	10790	-	-	15.3	80	DB	K45543	805.00	DX	K45562	891.00
	3/4	370	0.83	20040	15900	6450	-	21.0	80	EB	K45544	867.00	EX	K45563	895.00
	1	400	1.16	21665	18120	8860	3465	23.0	80	FB	K45545	938.00	FX	K45564	893.00
	1 1/2	450	1.50	24375	21345	15700	7640	28.0	80	GB	K45546	1,000.00	GX	K45565	889.00
	2	470	1.67	25455	22575	17615	9275	30.0	80	-	-	-	HX	K45547	1,145.00
	3	500	3.58	29559	27362	24916	21812	25.0	80	-	-	-	JX	K45548	1,327.00

¹ The sound ratings shown are loudness values in fan sones at 5 ft. (1.5 m) in a hemispherical free field calculated per AMCA Standard 301. Values shown are for Installation Type A, hemispherical sone levels. All motors are 60Hz. Performance certified is for installation type A: Free Inlet, Free Outlet. Speed (RPM) shown is nominal. Power rating (BHP) does not include drive losses. Performance ratings do not include the effects of appurtenances in the airstream.

Dimensions



Model	A	B	C	D	Venturi gauge	Shaft Dia
1SDE 24	28	7 1/8	24 3/8	23 1/4	18	7/8
1SDE 30	34	8 3/4	30 1/2	24 1/4	18	7/8
1SDE 36	40	8 7/16	36 1/2	26 1/4	18	7/8
1SDE 42	46	9 1/16	42 3/4	29 1/4	18	7/8
1SDE 48	54	9 3/4	48 3/4	32 1/8	18	7/8

Dimensional information is in inches.

Accessories



1ACC..WH
Weatherhood
page 250



1ACC..WD
Wall Damper
page 251



1ACC..MD
Motorized Damper
page 250



1ACC..SG
Intake Guards
page 251



1ACC..WC
Wall Collar
page 251

**In an indoor
growing
operation,
ventilation is
a must.**



\$309.-

(installed on the exterior wall)

Weather Hood

1ACC 36WH



2

1ACC 36MD

Motorized damper

\$534.-



Greenhouse

Ventilation for a growing industry

Ventilation is possibly the most important component in a successful greenhouse. It helps regulate the temperature, ensures fresh air that plants need to synthesize, encourages pollination and discourages pest infestations.

Opening windows and vents relies on wind to exchange the air in the greenhouse which cannot always be guaranteed. Take control of your indoor climate with Fantech propeller exhaust fans and motorized dampers.

Propeller fans are used to move a large volume of air at low pressure to optimize conditions in the greenhouse. These exhaust fans are cost effective and quiet.

1,319.-

Wall Mount Fan
1WMC 36F2

1

1. 1WMC 36F2 / \$1,319.-

Wall Mount Cabinet Belt-Drive Exhaust Fan

1 HP, 12,395 cfm, 677 RPM, 179 lbs

Wall mount cabinet exhaust fans are designed for use with light to medium duty applications such as greenhouses, factories and warehouses. Each unit is shipped fully assembled with wall collar, guard and damper for easy installation. See page 164.

2. 1ACC 36MD / \$534.-

Motorized damper

Interlocked with the exhaust fan ensures no negative pressure in the building.

40 x 11 x 41, 51 lbs. See page 250.

3. 1ACC 36WH / \$309.- (not shown)

Weather Hood

Protects exhaust or supply fans from outside elements. See page 250.

1WMC Series

Wall Mount Cabinet Exhaust Fans



Fantech, Inc. certify that the Wall Mount Cabinet Exhaust Fans shown herein are licensed to bear the AMCA Seal. The ratings shown are based on tests and procedures performed in accordance with AMCA Publication 211 and AMCA Publication 311 and comply with the requirements of the AMCA Certified Ratings Program.

Wall Mount Cabinet Exhaust fans are designed for use with light to medium duty applications such as greenhouses, factories and warehouses. Each unit is shipped fully assembled with wall collar, guard and damper for easy installation.

- All ventilators are UL Standard 705 listed
- Wall-mounting brackets included
- All galvanized steel construction with powder-coated propellers
- Maximum inlet temperature is 120°F
- High-efficiency propellers and press-fit pillow block bearings
- Variable pitch sheaves allow reduction of fan speed and air performance up to 25%
- Shipped ready to install



Specification data

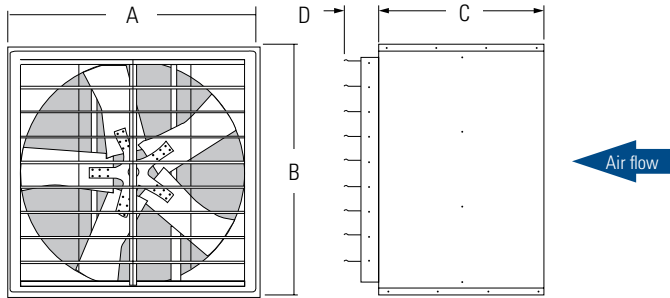
Model	Rated power	Voltage / phase	RPM	Max BHP [†]	0.0" P _s	0.125" P _s	0.25" P _s	Sones [†] @ 0.125" P _s	Shipping weight	Item #	Class 1 or 2	List price
	HP	V / ~	min ⁻¹		cfm				lbs			USD
1WMC 24D2	1/2	120 / 1	800	0.56	5230	4410	3530	16.1	141	47065	2	988.00
1WMC 30E2	3/4	120 / 1	680	0.81	8645	7430	5835	16.7	169	47066	2	1,156.00
1WMC 30FY	1	208-230/460 / 3	750	1.09	9535	8455	7130	22.0	176	47457	2	1,147.00
1WMC 36F2	1	120 / 1	585	0.99	12395	10640	8125	20.0	202	47067	2	1,319.00
1WMC 36GY	1-1/2	208-230/460 / 3	677	1.53	14345	12880	11160	26.0	204	47068	2	1,316.00
1WMC 42GY	1-1/2	208-230/460 / 3	530	1.42	17540	14745	10800	22.0	252	47070	2	1,485.00
1WMC 48HY	2	208-230/460 / 3	480	1.82	23295	20310	14720	25.0	305	47072	2	1,720.00

Performance certified is for installation type A: Free Inlet, Free Outlet.

[†] Power rating (BHP) does not include transmission losses. Performance ratings include the effects of shutter and guard.

[†] The sound ratings are loudness in fan sones at 5 ft (1.5m) in a hemispherical free field calculated per AMCA Standard 301. Values shown are for installation type A: free inlet hemispherical sone levels.

Dimensions



Model	A	B	C	D (max)
1WMC 24D2	28 1/4	28 1/4	24 1/4	6
1WMC 30E2	34 1/4	34 1/4	25 1/4	6
1WMC 30FY	34 1/4	34 1/4	25 1/4	6
1WMC 36F2	40 1/4	40 1/4	26 1/4	6
1WMC 36GY	40 1/4	40 1/4	28 1/4	6
1WMC 42GY	46 1/4	46 1/4	28 1/4	6
1WMC 48HY	54 1/4	54 1/4	47 3/4	6

Dimensional information is in inches.

Accessories



1ACC..WH
Weatherhood
page 251



1ACC..MD
Motorized Damper
page 250



5ACC..MS
Motor Disconnect
page 242

FADE Series

Axial Fans



Fantech, Inc. certifies that the models shown herein are licensed to bear the AMCA Seal. The ratings are based on the tests and procedures performed in accordance with AMCA Publication 211 and comply with the requirements of the AMCA Certified Ratings Program. Performance certified is for installation type D – Ducted inlet, Ducted outlet. Performance ratings do not include the effects of appurtenances (accessories).

Fantech's FADE Series axial fans are designed to effectively and quietly handle major ventilation challenges in locations such as large warehouses without taking up a lot of valuable space.

All FADE Series fans combine aerodynamically designed propeller blades and rotor motor into one expertly integrated unit. Fans feature a heavy gauge galvanized steel and powdercoated finish casing. With fan sizes ranging from 8" to 25", Fantech's FADE Series fans move a lot of air, yet are statically and dynamically balanced for vibration-free operation. The external rotor motorized propeller provides excellent heat dissipation, even at low RPM. Rated for continuous duty.

- Airflow up to 7,858 cfm
- 100% speed-controllable
- Shallow profile with no protruding motor
- Suitable for airstream temperatures up to 100° F
- All fans include motor side guards as standard

FADE WHD Series*



FADE Series

Specification data

Model	Rated power	Voltage / Phase	Max. Amps	RPM	0.0" P _s	0.1" P _s	0.25" P _s	0.375" P _s	0.5" P _s	Sones [†]	Weight	Item #	Class 1 or 2	List price
	W		A		cfm						lbs			USD
FADE 8-4	45	120 / 1	0.41 ¹	1550	304	246	74	-	-	4.1	15	411298	1 / 2	239.00
FADE 10-4	68	120 / 1	0.62 ¹	1500	624	558	377	132	-	7.9	15	411350	1 / 2	273.00
FADE 12-4 / FADE 12-4 WHD	130	120 / 1	1.19 ¹	1400	1208	1069	797	-	-	9.4	20	411351 / 45422	1 / 2	329.00 / 579.00
FADE 14-4 / FADE 14-4 WHD	245	120 / 1	2.24 ¹	1200	1839	1654	1295	-	-	9.6	20	411352 / 45423	1 / 2	406.00 / 634.00
FADE 16-4 / FADE 16-4 WHD	458	120 / 1	2.70 ¹	1400	3054	2882	2570	2198	1699	12.0	25	411353 / 45424	1 / 2	484.00 / 813.00
FADE 18-4 / FADE 18-4 WHD	698	120 / 1	6.39 ²	1550	4115	3895	3549	3239	2908	14.3	30	411299 / 45425	1 / 2	757.00 / 1,024.00
FADE 20-4 / FADE 20-4 WHD	1450	120 / 1	8.39 ²	1450	4949	4682	4274	3917	3445	16.4	45	411354 / 45427	2	902.00 / 1,246.00
FADE 20-6 / FADE 20-6 WHD	435	120 / 1	3.98 ¹	1100	3693	3368	2775	1429	-	10.7	45	411300 / 45426	2	818.00 / 1,169.00
FADE 22-6 / FADE 22-6 WHD	756	120 / 1	6.92 ²	1000	5629	5248	4432	-	-	12.0	55	411305 / 45429	2	1,125.00 / 1,481.00
FADE 25-6 / FADE 25-6 WHD	1134	120 / 1	10.38 ³	1000	7858	7355	6557	-	-	14.8	65	411355 / 45431	2	1,330.00 / 1,692.00

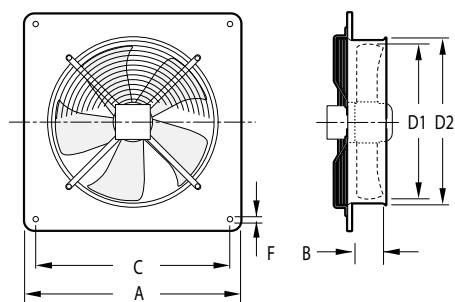
Performance certified is for installation type A - Free inlet, Free outlet. Speed (RPM) shown is nominal. Performance is based on actual speed of test. Performance ratings include the effects of intake guard. The sound ratings shown are loudness values in fan sones at 5ft (1.5m) in hemispherical free field calculated per AMCA Standard 301. Values shown are for installation type A, free inlet hemispherical sone levels.

* WHD model fan is fully assembled and includes a wall cabinet and a backdraft damper

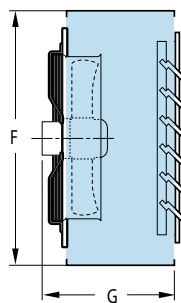
¹ Recommended speed control rating 5A ² Recommended speed control rating 10A ³ Recommended speed control rating 15A

Dimensions

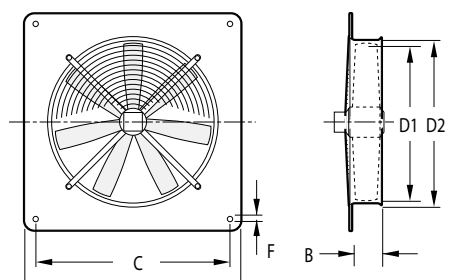
FADE S Blade Type



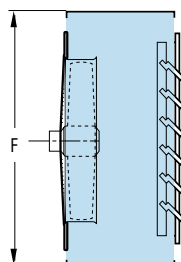
FADE WHD S Blade Type



FADE A Blade Type



FADE WHD A Blade Type



Model	A	B	C	D1	D2	E	F	G	Blade Type
FADE 8-4	12 ⁵ / ₁₆	2	10 ¹ / ₄	7 ³ / ₄	8 ¹ / ₁₆	¹ / ₄	-	-	S
FADE 10-4	14 ⁹ / ₁₆	2	12 ⁵ / ₈	10	10 ⁵ / ₁₆	¹ / ₄	-	-	S
FADE 12-4 / FADE 12-4 WHD	17	3	15	12	12 ⁷ / ₈	⁵ / ₁₆	21	15 ¹ / ₂	S
FADE 14-4 / FADE 14-4 WHD	19 ³ / ₁₆	3 ¹ / ₈	17 ¹ / ₈	14	15 ³ / ₈	⁵ / ₁₆	21	15 ¹ / ₂	S
FADE 16-4 / FADE 16-4 WHD	22 ³ / ₄	3 ¹ / ₂	21	16 ¹ / ₂	17 ¹ / ₄	³ / ₈	24	16 ¹ / ₂	S
FADE 18-4 / FADE 18-4 WHD	22 ⁹ / ₁₆	4 ¹ / ₄	21	18	18 ¹ / ₂	³ / ₈	24	16 ¹ / ₂	S
FADE 20-4 / FADE 20-4 WHD	25 ³ / ₁₆	4 ¹ / ₂	24 ¹ / ₄	20	20 ¹ / ₂	³ / ₈	26	17 ¹ / ₂	A
FADE 20-6 / FADE 20-6 WHD	25 ³ / ₁₆	4 ¹ / ₂	24 ¹ / ₄	20	20 ¹ / ₂	³ / ₈	26	17 ¹ / ₂	A
FADE 22-6 / FADE 22-6 WHD	28 ⁵ / ₈	5 ¹ / ₄	26 ⁹ / ₁₆	22	22 ¹ / ₂	³ / ₈	32	18 ³ / ₄	A
FADE 25-6 / FADE 25-6 WHD	31 ³ / ₄	6	29 ¹ / ₂	25	25 ¹ / ₂	³ / ₈	32	18 ³ / ₄	A

Dimensional information is in inches.

Accessories



1ACC..WH
Weatherhood
page 251



WC 15
Speed Control
page 242



RPE
Speed Control
page 242



FAT10
Attic Thermostat
page 243

2VLD Series

Direct Drive Medium Duty Propeller Fans



Fantech, Inc. certify that the Axial Ventilators shown herein are licensed to bear the AMCA Seal. The ratings shown are based on tests and procedures performed in accordance with AMCA Publication 211 and AMCA Publication 311 and comply with the requirements of the AMCA Certified Ratings Program.

Medium duty exhaust fans are designed for general ventilation in dusty, dirty and grease or moisture-laden environments.

- Wire guards and venturi panels have baked-on gray polyester finish to help resist corrosion
- Totally enclosed, sleeve bearing
- Speed-controllable
- Shipped ready to install

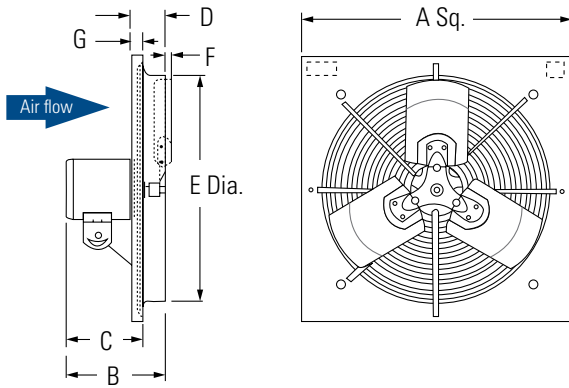


Specification data

Model	Rated power	Voltage / phase	Amperage full load	RPM	0.0" P _s	0.125" P _s	0.25" P _s	0.375" P _s	Sones @ 0.125" P _s	Shipping weight	Item #	Class 1 or 2	List price
	HP	V / ~	Amps	min ⁻¹	cfm					lbs			USD
2VLD 1221	1/30	120 / 1	1.4	1550	845	665	315	-	7.8	14	47114	1	154.00
2VLD 1661	1/20	120 / 1	1.6	1520	1170	885	560	-	13.6	18	47115	1	203.00
2VLD 18B1	1/4	120 / 1	3.9	1150	2500	2130	1590	1025	10.4	28	47116	1	323.00
2VLD 20B1	1/4	120 / 1	4.9	1165	3440	2995	2310	1450	12.5	36	47117	2	362.00
2VLD 24B1	1/4	120 / 1	4.1	1150	3455	2985	2410	1580	12.8	36	47118	2	443.00

Performance certified is for installation type A: Free Inlet, Free Outlet. Speed (RPM) shown is nominal. Performance is based on actual speed of test. Performance ratings include the effects of shutter and guard. The sound ratings shown are loudness values in fan sones at 5 ft. (1.5 m) in a hemispherical free field calculated per AMCA Standard 301. Values shown are for Installation Type A, hemispherical sone levels.

Dimensions



Model	A	B	C	D	E	F	G
2VLD 1221	16	5 ³ / ₁₆	3 ¹¹ / ₁₆	2 ¹ / ₂	12 ³ / ₈	3 ³ / ₄	1
2VLD 1661	20	6 ³ / ₁₆	4 ⁷ / ₁₆	2 ³ / ₄	16 ⁷ / ₁₆	9 ⁹ / ₁₆	1
2VLD 18B1	22	8	6 ¹ / ₁₆	2 ¹⁵ / ₁₆	18 ⁷ / ₁₆	1 ¹ / ₂	1
2VLD 20B1	24	9 ⁵ / ₈	7 ¹ / ₂	3 ³ / ₁₆	20 ¹ / ₂	1 ¹¹ / ₁₆	1
2VLD 24B1	28	8 ¹ / ₂	6	3 ⁵ / ₈	24 ³ / ₈	1 ¹ / ₂	1

Dimensional information is in inches.

Accessories



1ACC..WH
Weatherhood
page 251



1ACC..WD
Wall Damper
page 251



5ACC..SC
Speed Control
page 242



5ACC..MS
Motor Disconnect
page 242

2SHE Series

Direct Drive Shutter Fans



Fantech, Inc. certifies that the Shutter Mounted Exhaust Fans shown herein are licensed to bear the AMCA Seal. The ratings shown are based on tests and procedures performed in accordance with AMCA Publication 211 and AMCA Publication 311 and comply with the requirements of the AMCA Certified Ratings Program.

Shutter mounted exhaust fans are widely used for ventilating warehouses, stores, factories, workshops, greenhouses and farm buildings. Shutter frames with prepunched mounting holes allow for easy installation.

- All ventilators are UL 705 Standards listed
- Heavy duty guards have gray polyester coating to resist corrosion
- OSHA compliant guards
- Totally enclosed motors
- Speed controllable (except 2SHE 30C1 and 2SHE 36D1)
- Shipped ready to install
- 2SHE07 thru 2SHE24 blades are manufactured from aluminum, 2SHE30 and 2SHE36 blades are manufactured from galvanized steel.

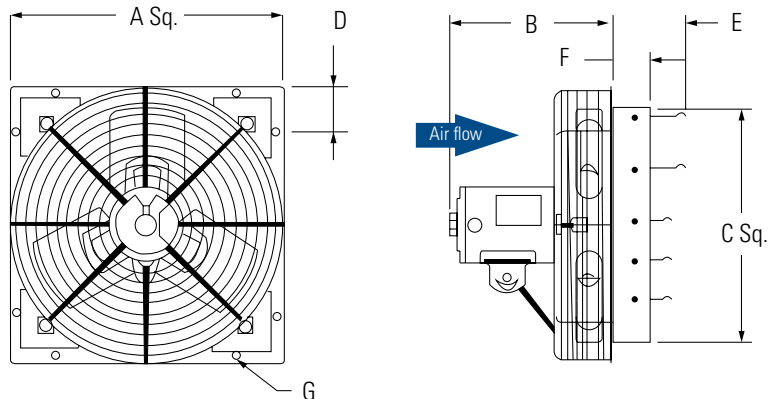


Specification data

Model	Rated power	Voltage / phase	RPM	Bearing type	Amperage full load	0.0" P _s	0.125" P _s	0.25" P _s	Sones @ 0.0" P _s	Shipping weight	Item #	Class 1 or 2	List price
	HP	V / ~	min ⁻¹		Amps	cfm				lbs			USD
2SHE 0721	1/30	120 / 1	1725	Sleeve	1.4	140	-	-	4.8	15	47096	1	148.00
2SHE 1021	1/30	120 / 1	1585	Sleeve	1.4	585	285	-	6.6	10	47097	1	150.00
2SHE 1221	1/30	120 / 1	1570	Sleeve	1.4	800	470	-	7.6	21	47098	1	159.00
2SHE 1621	1/20	120 / 1	1550	Sleeve	1.5	1095	720	-	8.0	19	47099	1	208.00
2SHE 1871	1/15	120 / 1	1075	Sleeve	1.2	1860	850	-	8.4	22	47100	1	272.00
2SHE 20B1W	1/4	120 / 1	1150	Sleeve	4.6	2830	2250	1235	11.3	39	47102	2	375.00
2SHE 24B1W	1/4	120 / 1	1150	Ball	3.7	3240	2485	1110	11.4	39	47103	2	421.00
2SHE 30C1*	1/3	120 / 1	850	Ball	4.4	6075	4195	2150	13.5	65	47104	2	536.00
2SHE 36D1*	1/2	120 / 1	850	Ball	5.6	8225	6480	2935	14.7	75	47105	2	611.00

Performance certified for installation type A, Free Inlet, Free Outlet. Speed (RPM) shown is nominal. Performance is based on actual speed of test. Performance ratings include the effects of guard and shutter. The sound ratings shown are loudness values in fan sones at 5 ft in a hemispherical free field calculated per AMCA Standard 301. Values shown are for Installation Type A, Free Inlet hemispherical sone levels.
* Single speed motor

Dimensions



Model	A	B	C	D	E	F	G
2SHE 0721	11 1/8	4 15/16	8 1/2	3 9/16	5 3/4	3	1/4 X 1/2
2SHE 1021	13 1/8	5 3/7	10 1/2	10 1/2	5 3/4	3	1/4 X 1/2
2SHE 1221	15 1/8	6	13	3 9/16	5 3/4	3	1/4 X 1/2
2SHE 1621	19 1/8	6 13/16	17	10 1/2	5 3/4	3	1/4 X 1/2
2SHE 1871	21 1/8	8 1/2	18 1/2	3 9/16	5 3/4	3	1/4 X 1/2
2SHE 20B1W	23 1/8	10 3/4	21	10 1/2	5 3/4	3	1/4 X 1/2
2SHE 24B1W	27 1/8	9 3/4	25	3 9/16	5 3/4	3	1/4 X 1/2
2SHE 30C1	33 1/8	13 1/3	31	10 1/2	5 3/4	3	1/4 X 1/2
2SHE 36D1	39 1/8	13 1/8	37	10 1/2	5 3/4	3	1/4 X 1/2

Dimensional information is in inches.

Accessories



5ACC..SC
Speed Control
page 242



FAT10
Attic Thermostat
page 243

2GMS Series **NEW**

Guard Mounted Exhaust Fans



Guard mounted exhaust fans are widely used for ventilating warehouses, greenhouses, workshops and other low pressure applications of up to 0.125 P_s. Steel wire intake guard has four mounting loops to make in stallation easy, and baked-on gray polyester finish to help resist corrosion.

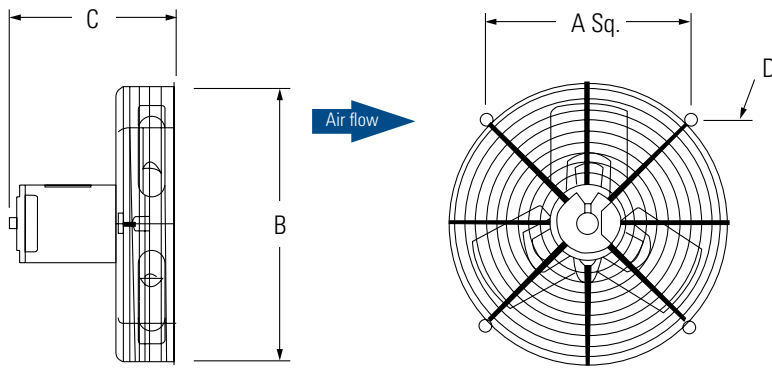
- Deep pitch aluminum propeller
- Guard complies with OSHA regulations
- Not for use with speed control



Specification data

Model	Rated power	Voltage / phase	Amperage full load	RPM	0.0" P _s	0.125" P _s	Sones @ 0.125" P _s	Shipping weight	Item #	Class 1 or 2	List price
	HP	V / ~	Amps	min ⁻¹	cfm			lbs			USD
2GMS 1021	1/30	120 / 1	1.4	1550	595	405	5.5	6	47090	1	133.00
2GMS 1221	1/30	120 / 1	1.4	1550	820	535	6.2	8	47091	1	143.00
2GMS 1661	1/20	120 / 1	1.7	1550	1060	585	8.0	13	47092	1	203.00
2GMS 20B1	1/4	120 / 1	4.0	1725	2600	2690	11.4	25	47094	2	315.00

Dimensions



Model	Propeller Dia	A	B	C	D
2GMS 1021	10	8 ³ / ₄	11	5 ⁹ / ₁₆	1/4
2GMS 1221	12	10 ³ / ₁₆	13	5 ¹⁵ / ₁₆	1/4
2GMS 1661	16	12 ¹⁵ / ₁₆	17 ³ / ₈	6 ¹ / ₂	1/4
2GMS 20B1	20	16 ³ / ₄	22 ¹ / ₈	11 ¹⁵ / ₁₆	5/16

Dimensional information is in inches.

Keeping the indoors in and the outdoors out.



© Frico AB. All rights reserved.

\$894.-

Air Curtain
AC 4800

1



2

AS DS
Door Switch

\$108.-



An invisible barrier

Every store owner knows that an open door is an invitation for customers to enter. With a Fantech AC Series Air Curtain you can achieve this without the cold drafts or hot air coming in.

Installing a Fantech Air Curtain above a doorway or window creates an "air barrier" in that opening. During the winter days the heat function adds heat to the space for comfort and dries up floor moisture from rain or snow. During the summer days using the blower keeps the cool in and the heat out, providing a comfortable environment for employees and customers.

Fantech Air Curtains reduce heat/cool obtained through an open door reducing the load on the buildings heating/cooling system saving energy and money. Improve indoor air quality by keeping out dust, dirt, pollen, fumes and insects. For double doors or wider openings multiple units can be positioned end to end to cover unlimited width.

Unlike traditional Air Curtains that are loud and "blow your hat off" to do the job. Fantech Air Curtains are powerful yet quiet enough not to disturb employees or customers near the door or window.

1. AC 4800 / \$894.-

Air curtain

120V, 1~, 1.3A, up to 9 ft, 29 lbs

With this air curtain the seasons, in which entrance doors and windows can be left open are extended. See page 178.

2. AS DS / \$108.-

Door switch

Electronic detection mechanical switch. It also has two contacts to separately monitor the open/closed status of the door and the status of the lock. See page 244.

AC Series

Air Curtains for light commercial applications

Keep the indoors in and the outdoors out

Open doors and entry ways create drafts, increase costs and introduce pollutants. Installing an air curtain above the door or window adds a “barrier” in that opening. Air curtains reduce heat loss/heat gain, improving energy efficiency by reducing the load on the buildings HVAC system while effectively maintaining a comfortable air temperature indoors. Multiple units can be positioned end to end to cover unlimited widths.

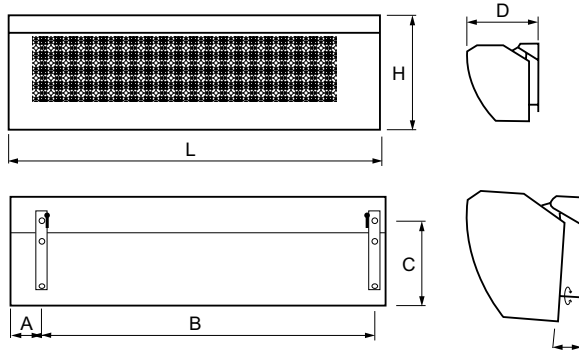


- Quiet enough not to disturb occupants, allowing efficient operation in all installations
- The seasons, in which doors can be left open are extended with air curtains: customers are attracted to shops with open doors
- The reduction in drafts through the openings increases the energy efficiency of the building
- The air velocity is optimized to reduce entry of outdoor pollutants, bugs, dust and vehicle fumes

Specification data

Model	Rated power	Voltage / phase	Max amps*	BTU/h	Airflow min/max	Air Velocity max	Temp. Rise Half/Full airflow	Sound Level	Weight	Item #	Class 1 or 2	List price
	kW (*)	V / ~	A		cfm	fpm		db (A)	lbs			USD
AC 3600/1	-	120	1.2	-	590/795	2018	-	44/53	24	411131	2	847.00
AC 4800/1	-	120	1.3	-	765/1000	2400	-	45/54	29	411130	2	894.00

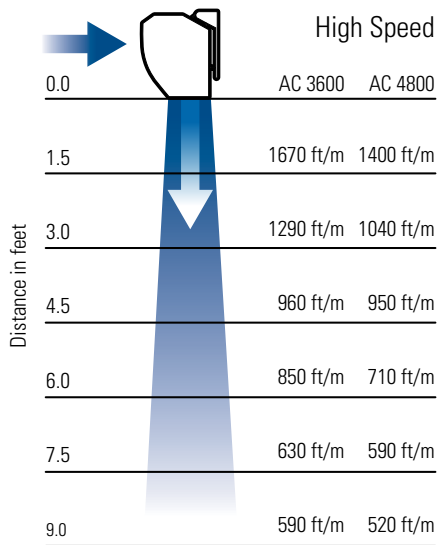
Dimensions



Model	A	B	C	D	H	L
AC 3600	3 3/4	30 1/4	8 1/2	8 1/2	9 1/4	36
AC 4800	3 3/4	42 1/2	8 1/2	8 1/2	9 1/4	48

Dimensional information is in inches.

Air velocity



Accessories



AS DS
Door Switch
page 244

**In every public
restroom, your
nose knows.**



Public Restrooms

with an exhaust ventilator

Why waste energy and money by ventilating public spaces continuously at maximum airflow? The flexibility of the Fantech FRD series allows you the ability to run the ventilation fan at a low rate when the restroom is unoccupied and at a higher rate during periods of high occupation with the use of a simple occupancy sensor.

The fans maximum ventilation rate can be controlled or dialed down to the required airflow rate by the use of an inexpensive line voltage speed control such as the WC15 Speed Control On/Off. This eliminates noise and saves energy.

The Fantech FRD series is 100% speed controllable and offers a swing out motor compartment for cleaning and maintenance.

1. FRD 16-8 / \$450.-

Rectangular Inline Fan

120V, 499 cfm @ 0.25 P_s, 150W, max P_s = 2.57"

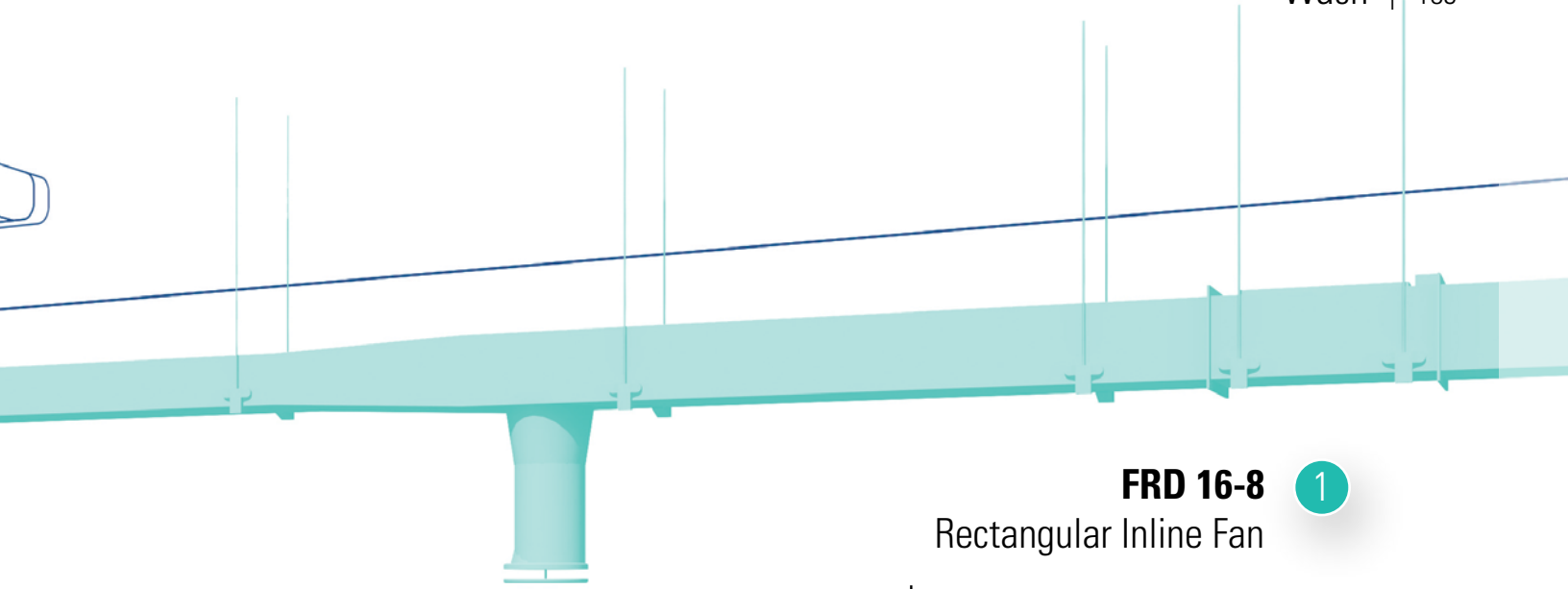
A compact centrifugal type exhaust/supply fan FRD allows for installation directly within rectangular ductwork without the need for large elbows or transitional sections. See page 184.

2. WC 15 / \$24.- (not shown)

Speed Control On/Off

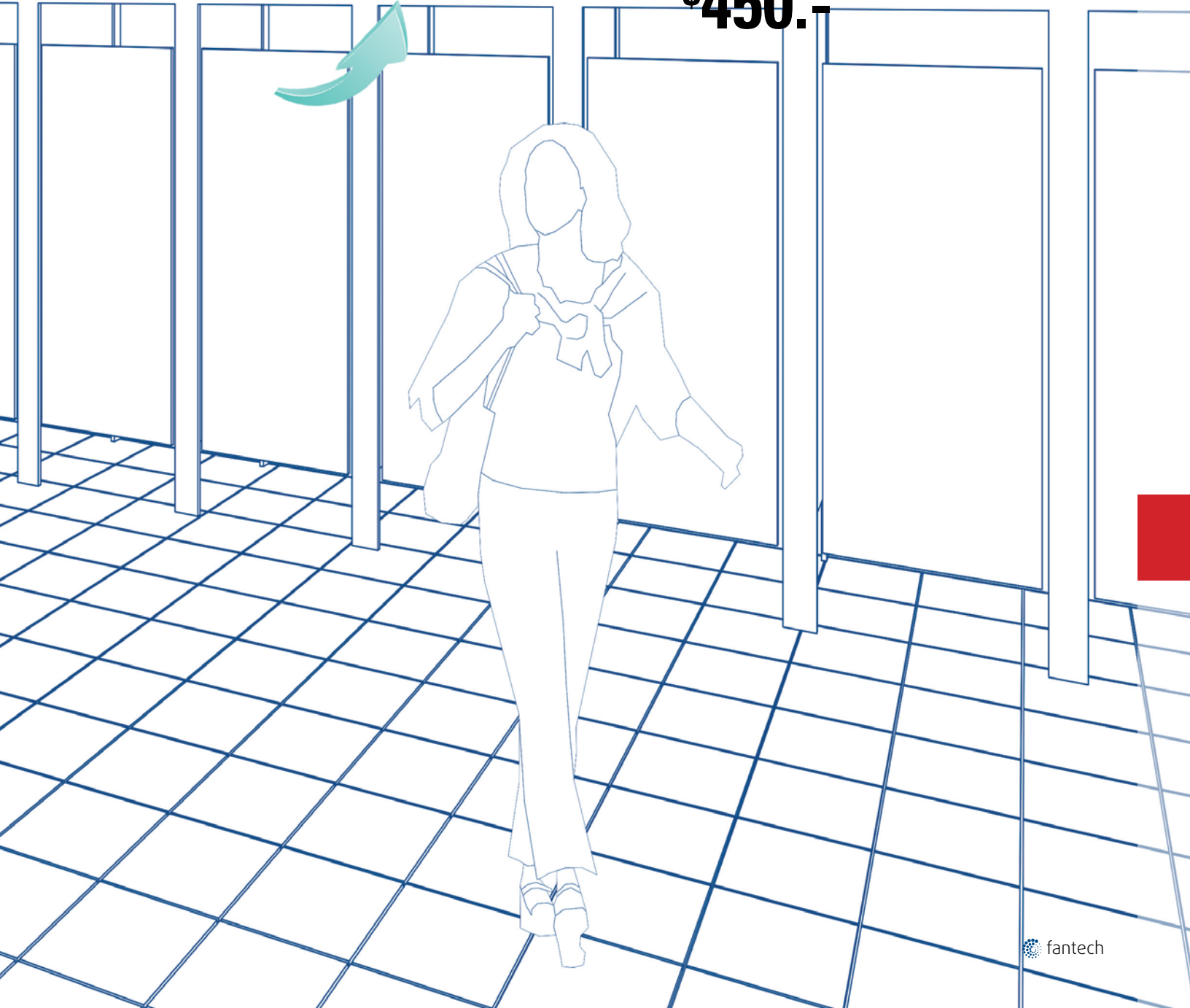
120V, 5A

Rotary type variable speed controller with on/off switch. Brushed aluminum switch plate and screws included. Fits standard single gang box. See page 242.



FRD 16-8 1
Rectangular Inline Fan

\$450.



FRD Series

Inline Rectangular Fans



Fantech, Inc. certifies that the models shown herein are licensed to bear the AMCA Seal. The ratings are based on the tests and procedures performed in accordance with AMCA Publication 211 and comply with the requirements of the AMCA Certified Ratings Program. Performance certified is for installation type D – Ducted inlet, Ducted outlet. Performance ratings do not include the effects of appurtenances (accessories).

The FRD Series centrifugal type exhaust/supply fans are specifically designed for large ventilation needs where space is at a premium, such as hospitals, schools, or office buildings. System balancing is easy - a simple speed adjustment equalizes all vents to compensate for hot or cold spots.

The compact housing design of the FRD Series allows for installation directly within rectangular ductwork (ranging from 12"x 6" ducts to 24"x 14" ducts), without the need for large elbows or transitional sections. FRD Series fans are simple to install; no extra materials are required. Simply mount the fan at any angle in any point in the ductwork. The motor is mounted on a hinged door – just swing the door out for easy access to the motor and wiring connections.



- Hinged door for service access
- Airflow up to 2318 cfm
- Terminal box with prewired electrical strip
- 100% speed controllable
- Airstream temperatures of up to 140° F

Specification data

Model	Rated power	Voltage / phase	RPM	Max. amps	0.0" P _s	.25" P _s	.50" P _s	.75" P _s	1.0" P _s	1.5" P _s	2.0" P _s	Max P _s	Sones ¹	Shipping weight	Item #	Class 1 or 2	List price
	W	V / ~	min ⁻¹	A	cfm							in.wg	lbs			USD	
FRD 12-6	84	120 / 1	2550	0.74 ¹	309	262	214	171	133	75	-	2.01	8.0	17	40030	1	326.00
FRD 16-8	150	120 / 1	2950	1.30 ¹	560	499	434	368	300	191	119	2.57	13.0	30	40031	1	450.00
FRD 16-8XL	264	120 / 1	2800	2.32 ¹	658	599	535	471	406	290	196	3.44	13.1 [†]	30	40032	1	528.00
FRD 20-10	191	120 / 1	1650	1.68 ¹	1013	915	814	724	617	225	-	1.84	16.7	43	40033	1	809.00
FRD 24-14	597	120 / 1	1650	5.18 ²	2318	2149	1939	1752	1527	1090	377	2.16	18.2 [†]	86	40115	2	1,448.00

Model	Rated power	Voltage / phase	RPM	Max. amps	0.0" P _s	.25" P _s	.50" P _s	.75" P _s	1.0" P _s	1.5" P _s	2.0" P _s	Max P _s	Sones ¹	Shipping weight	Item #	Class 1 or 2	List price
	W	V / ~	min ⁻¹	A	cfm							in.wg	lbs			USD	
FRD 12-6-230	81	230 / 1	2700	0.35 ¹	275	240	210	180	143	83	-	1.6	10.9	17	40449	1	391.00
FRD 16-8-230	225	230 / 1	3050	0.61 ¹	585	535	475	410	345	222	135	2.3	14.7	30	40590	1	514.00
FRD 16-8XL-230	176	230 / 1	2880	0.91 ¹	553	518	478	438	416	336	261	2.5	15.6	30	45307	1	575.00
FRD 20-10-230	198	230 / 1	1680	0.86 ¹	964	851	730	617	485	166	-	1.5	16.0	43	44002	2	883.00
FRD 24-14-230	810	230 / 1	1600	3.60 ¹	2122	1985	1864	1679	1512	1109	588	2	20.6	86	44003	2	1,738.00

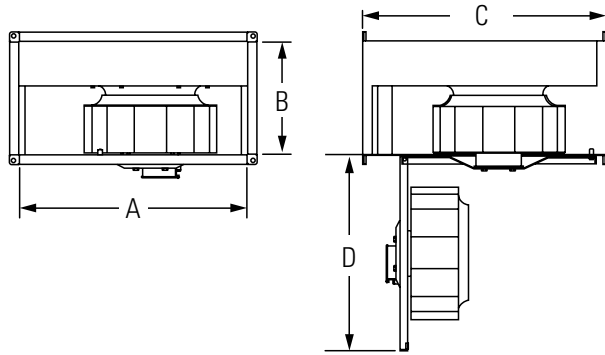
Performance certified is for installation type D - ducted inlet, ducted outlet. Speed (RPM) shown is nominal. Performance is based on actual speed of test. Performance ratings do not include the effects of appurtenances (accessories).

¹ The sound ratings shown are loudness values in fan sones at 5ft. (1.5m) in hemispherical free field calculated per AMCA Standard 301. Values shown are for installation type A: free inlet hemispherical fan sone levels. All sone values are calculated at 0.5" (static pressure in inches W.G.).

[†] Sone Value at 0.75" (static pressure in inches W.G.).

¹ Recommended speed control rating 5A ² Recommended speed control rating 10A

Dimensions



Model	A	B	C	D
FRD 12-6	11 ⁷ / ₈	5 ⁷ / ₈	15 ³ / ₄	11
FRD 16-8	15 ³ / ₄	7 ³ / ₄	19 ³ / ₄	15
FRD 16-8XL	15 ³ / ₄	7 ³ / ₄	19 ³ / ₄	15
FRD 20-10	19 ⁵ / ₈	9 ³ / ₄	20 ³ / ₈	18
FRD 24-14	23 ⁵ / ₈	13 ³ / ₄	28 ¹ / ₂	20

Dimensional information is in inches. Note: Flanges extend ⁷/₈ beyond the A dimension.

A swing out panel

The motor is mounted on a swing out panel which allows for easy access and maintenance when installed above commercial lay-in suspended ceilings. Sealed with a high density neoprene gasket the access panel is air tight when secured, so no leaking as with most other fan access panels.

Once again Fantech makes installation and maintenance simple for the contractor and end user.



Accessories



WC 15
Speed Control
page 242



RPE
Speed Control
page 242

FSD Series

Inline Mixed Flow Square Fans



Fantech, Inc. certify that the Ventilators shown herein are licensed to bear the AMCA Seal. The ratings shown are based on tests and procedures performed in accordance with AMCA Publication 211 and AMCA Publication 311 and comply with the requirements of the AMCA Certified Ratings Program.

The FSD Series is a mixed flow centrifugal type exhaust/supply fans for moderate size ventilation applications were specifically designed to provide the high flow of axial designs plus the higher pressure, non-overloading characteristics of backward curved impellers. Motor bearings are a permanently sealed, self-lubricating ball type.

The square design provides a larger discharge area than tubular centrifugal or vane axial fans, so outlet velocities are reduced for quieter operation.

- Airflow up to 6,993 cfm
- Lightweight square design provides a larger discharge area and quieter operation
- Mixed flow impeller design incorporates high flow with higher pressure, non-overloading characteristics and automatic reset thermal overload protection
- 100% speed controllable
- Airstream temperatures of up to 140° F



Specification data

Model	Rated power	Voltage / phase	RPM	Max. apms	0.0" P _s	.25" P _s	.50" P _s	.75" P _s	1.0" P _s	1.5" P _s	2.0" P _s	Sones ¹	Shipping weight	Item #	Class 1 or 2	List price
	W	V / ~	min ⁻¹	A	cfm							lbs		USD		
FSD 18	517	120 / 1	1700	4.80 ²	2463	2237	1987	1644	1180	-	-	12.4	65	40035	2	965.00
FSD 20	753	120 / 1	1600	6.36 ²	3225	2921	2605	2241	1829	815	-	14.1	81	40036	2	1,550.00
FSD 22	1554	120 / 1	1600	15.00 ³	5223	4918	4605	4282	3865	2716	1308	21.0	111	40037	2	2,168.00
FSD 26	2328	460 / 3	1700	3.82 ²	6993	6644	6317	5981	5608	4681	3469	27.0 [†]	134	40038	2	2,810.00

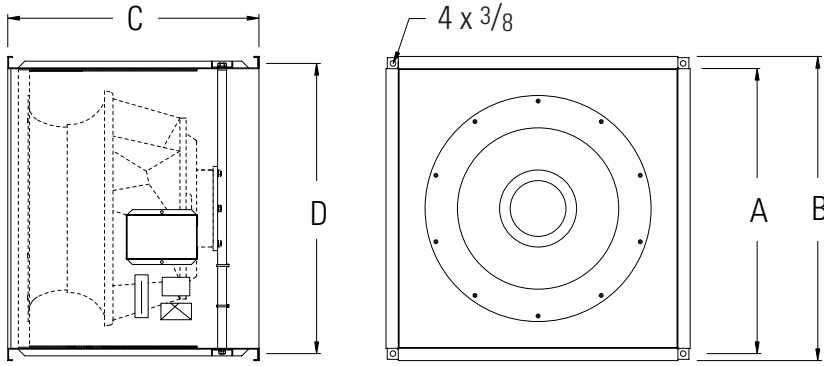
Performance certified is for installation type A - Free inlet, free outlet. Speed (RPM) shown is nominal. Performance is based on actual speed of test. Performance ratings do not include the effects of appurtenances (accessories). Note: Three phase motors are wound for 230/460 volt. Motors are prewired for 460 volts but may be delivered as 230 volt or may be rewired in the field.

[†] The sound ratings shown are loudness values in fan sones at 5ft. (1.5m) in hemispherical free field calculated per AMCA Standard 301. Values shown are for installation type A: free inlet hemispherical fan sone levels. All sone values are calculated at 0.5" (static pressure in inches W.G.).

[‡] Sone Value at 0.75" (static pressure in inches W.G.).

² Recommended speed control rating 10A ³ Recommended speed control rating 15A

Dimensions



Model	A	B
FSD 18	17 ⁵ / ₈	15 ³ / ₄
FSD 20	19 ³ / ₄	17 ³ / ₄
FSD 22	21 ¹ / ₂	19
FSD 26	26	20

Dimensional information is in inches.
 Note: Flanges extend ⁷/₈ beyond the A dimension.

Accessories



WC 15
 Speed Control
 page 242



RPE
 Speed Control
 page 242



When you need the high airflow of an axial fan, with the pressure build-up of a centrifugal fan the FKD is the perfect solution. 100% speed controllable in a compact and reliable package.

THE BEST OF BOTH WORLDS



FKD 14

Inline Duct fan

\$848.-

See FKD Series
on pages 122-125

CEV Series

Ceiling Exhaust Fans



Fantech, Inc. certify that the Ceiling/Wall Fans shown herein are licensed to bear the AMCA Seal. The ratings shown are based on tests and procedures performed in accordance with AMCA Publication 211 and AMCA Publication 311 and comply with the requirements of the AMCA Certified Ratings Program.

The CEV units are exhaust fans designed for bathroom and other applications. Simple installation and dependability make this odor- and moisture-removing fan a real value.

- All ventilators are UL Standard 705 listed
- Impact-resistant, balanced centrifugal blower wheel ensures consistent performance
- Eight-way adjustable mounting brackets permit installation flexibility
- White plastic grille blends well with any decor
- Torsion spring grille mounting - no tools required
- Integrated back draft damper

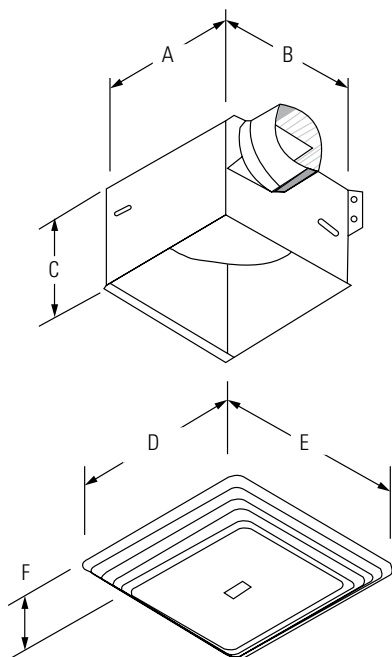


Specification data

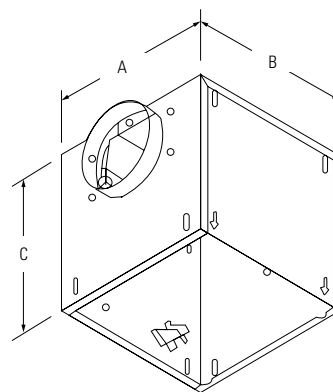
Model	Rated power	Voltage / phase	RPM @ 0.125"	Max amps @ 60 Hz	0.0" P _s	0.25" P _s	0.375" P _s	0.5" P _s	0.625" P _s	0.75" P _s	1.0" P _s	Shipping weight	Item #	Class 1 or 2	List price
	W	V / ~	min ⁻¹	A	cfm Sones										
6CEV 008A	48	120 / 1	1550	-	89 3.9	68 3.8	36 3.9	-	-	-	-	7	47370	1	106.00
6CEV 010A	87	120 / 1	640	1.1	136 0.5	93 1.3	80 1.8	65 2.3	44 3.0	12 3.2	-	23	47371	1	193.00
6CEV 015A	100	120 / 1	710	1.3	181 1.3	141 2.2	132 2.6	124 3.1	114 3.6	94 4.1	-	23	47372	1	194.00
6CEV 020A	127	120 / 1	740	1.8	231 1.6	196 2.3	186 2.9	177 3.5	165 4.1	144 4.9	51 5.3	23	47373	1	247.00
6CEV 025A	166	120 / 1	830	2.2	272 2.1	250 2.9	242 3.3	233 3.9	218 4.4	201 4.8	99 5.8	24	47880	1	247.00
6CEV 030A	212	120 / 1	935	2.7	312 2.8	303 3.3	296 3.5	287 3.9	273 4.3	254 4.7	125 5.6	24	47374	1	265.00
6CEV 040A	146	120 / 1	755	1.4	467 2.3	378 3.0	335 3.5	291 4.0	237 5.1	170 5.5	8 5.9	34	47446	1	408.00
6CEV 050A	232	120 / 1	865	2.2	539 2.9	481 3.4	451 4.2	418 4.2	367 4.8	319 5.9	137 6.4	34	47545	1	423.00
6CEV 070A	313	120 / 1	985	2.9	708 5.2	658 5.7	628 5.8	597 6.1	560 6.4	515 7.4	312 7.6	34	47407	1	489.00
6CEV 150A	468	120 / 1	955	5.0	1578 8.6	1438 8.1	1371 7.5	1285 7.0	1198 6.7	1103 6.2	816 5.8	65	47975	1	739.00

Performance ratings include the effects of inlet grill and backdraft damper. Speed (RPM) shown as nominal. Performance is based on actual speed of test. Performance shown for horizontal discharge. Values may vary for vertical discharge. Values shown are for installation type A, free inlet hemispherical sone levels. Performance certified is for installation type A: free inlet, free outlet.

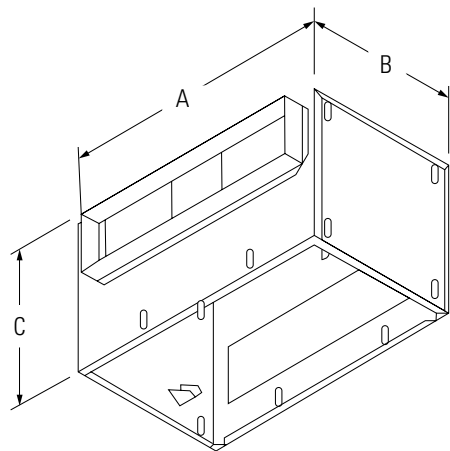
Dimensions



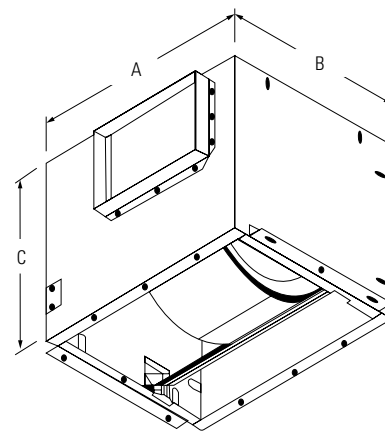
Model	A	B	C	D	E	F	Duct
6CEV 008A	8	8 1/4	5 3/4	10 5/8	11 1/8	1 1/2	4



Model	A	B	C	Duct
6CEV 010A - 030A	12 1/4	12 1/4	11 3/4	6



Model	A	B	C	Duct
6CEV 040A - 070A	21 1/2	12 1/4	11 3/4	4.5 x 18.5



Model	A	B	C	Duct
6CEV 150A	22	18	18	8 x 12

Dimensional information is in inches.

**It's not the heat,
it's the humidity.**





\$2,200.-

Industrial Dehumidifier
NEW EPD 190LR

1



Construction site

Time is money

Gone are the days when work on an average building went from 6-9 months and building materials were dried out by natural ventilation by the time the building was finished. Nowadays with modern building techniques construction work is efficient and fast. This means dehumidification is required to dry out the excess moisture in building materials prior to occupation.

No matter, whether it's new construction or remodeling a Fantech EDP190LR will cut the drying time of building materials such as concrete, joint compound and paint to a fraction of the time it would have taken in the past with traditional building techniques.

The benefits of dehumidification are many:

- Joint compound dries in hours not days
- Concrete meets manufacturers standard in half the time
- Correct conditions for storage and installation of hardwood
- Prevention of mold or mildew growth

Time is money, Fantech EDP190LR gets the job done quicker.

NEW

1. EPD 190LR / \$2,200.- Industrial Dehumidifier

120V, 300 cfm, 75 pints at 80°F, 60% RH
Low grain refrigerant system removes more moisture from the air. Electronic controls for precise, convenient setup and simple operation. See page 196.

EPD Series **NEW**

Low Grain Industrial Dehumidifiers



The EPD Series of portable dehumidifiers is one of the most effective and versatile drying devices available in the US today. Quiet, efficient, portable and reliable, the EPD Series provides exceptional performance across the full range of jobsite conditions. Engineered for the heavy demands of job site humidity control and water damage restoration, our unit's rugged rotomolded housing and durable construction makes the EPD Series dehumidifier a top choice for professionals everywhere.

Low temperature operation to 40°F allows moisture to be removed from the air at lower humidity levels than is the current standard. When you combine this performance with, convenient setup and simple operation and electronic controls for precise measurement, it is clear to see why the EDP series is considered the ultimate in low grain refrigerant dehumidification.

- Low temperature operation to 40° F
- Tough rotomolded cabinet
- Electronic controls for precise, convenient setup and simple operation
- Digital hour meter for recording job times even when the unit is unplugged
- Integrated handles (upper/lower) allow for easy lifting job to job
- Dimensions: 36 3/4 (h) x 23 1/2 (d) x 18 (w)



Specification data

Model	Voltage / phase	Maximum amperage	Average airflow	Capacity at saturation	Capacity at 80°F, 60% RH	Temperature range	Refrigeration system	Compressor type	Shipping weight	Item #	Class 1 or 2	List price
	V / ~	A	cfm	pints	pints	°F			lbs			USD
EPD150LR	120 / 1	8.7	300	150	75	40... 95	Low Grain	Rotary	90	412951	1	2,142.00
EPD180CR	120 / 1	11.3	300	190	95	40... 95	Low Grain	Rotary	90	412952	1	2,177.00
EPD190LR	120 / 1	8.7	300	180	90	40... 95	Standard	Rotary	90	412953	1	2,200.00
EPD250CR	120 / 1	11.3	300	250	125	40... 95	Standard	Rotary	90	412954	1	2,246.00

GDC and GD Series **NEW**

Heavy and Light Duty Dehumidifiers



These steel dehumidifiers are great for flood recovery and restoration in both commercial and industrial environments. Durable steel cabinet housing withstands heavy use. These dehumidifiers offer 40°F to 95°F operating temperature range. Models include 20' L drainage hose and washable air filters.

Heavy Duty GDC Series provides up to 235 CFM with 1-speed fan. Includes dual tubular steel handles and 2 large axle mounted wheels that allow stacking for easy transport and compact storage. Series feature built-in condensate pump with 20' lift, hour counter and internal cord storage.

- Stacks for easy transport and compact storage
- Two large axle mounted wheel
- Built-in condensate pump
- Washable filters
- IPX 2 Rating
- Dimensions: 36 ³/₅ (h) x 23 ⁴/₅ (d) x 22 (w)



Light Duty GD55S model provides up to 325 cfm with 2-speed fan. Includes a dehumidistat and overflow protection with an indicator light. The steel cabinet is painted black. Equipped with fold'down handle and 4 casters.

- Durable steel housing
- Removeable 21 pint bucket
- Adjustable humidistat
- Washable filters
- Dimensions: 21 (h) x 18 (d) x 13 ¹/₂ (w)



Specification data

Model	Voltage / phase	Maximum amperage	Average airflow	Capacity at saturation	Capacity at 80°F, 60% RH	Temperature range	Refrigeration system	Compressor type	Shipping weight	Item #	Class 1 or 2	List price USD
	V / ~	A	cfm	pints	pints	°F						
GDC 124CS	120 / 1	5.9	235	124	60	40... 95	R410A / 12 oz	Rotary	90	405263	1	1,389.00
GDC 124CSS	120 / 1	5.9	235	124	60	40... 95	R410A / 12 oz	Rotary	90	405264	1	1,563.00
GD 55S	120 / 1	5.0	325	101	53	40... 95	R410A / 12 oz	Rotary	50	412942	1	753.00

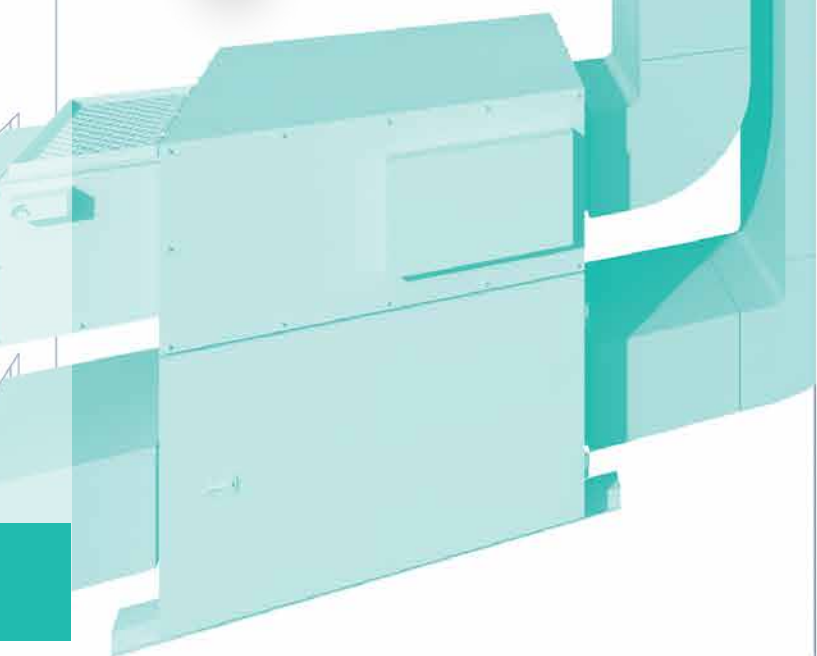
**A healthy pool
means healthy
swimming.**



\$4,295.-

Heat Recovery Unit
SHR 14105R

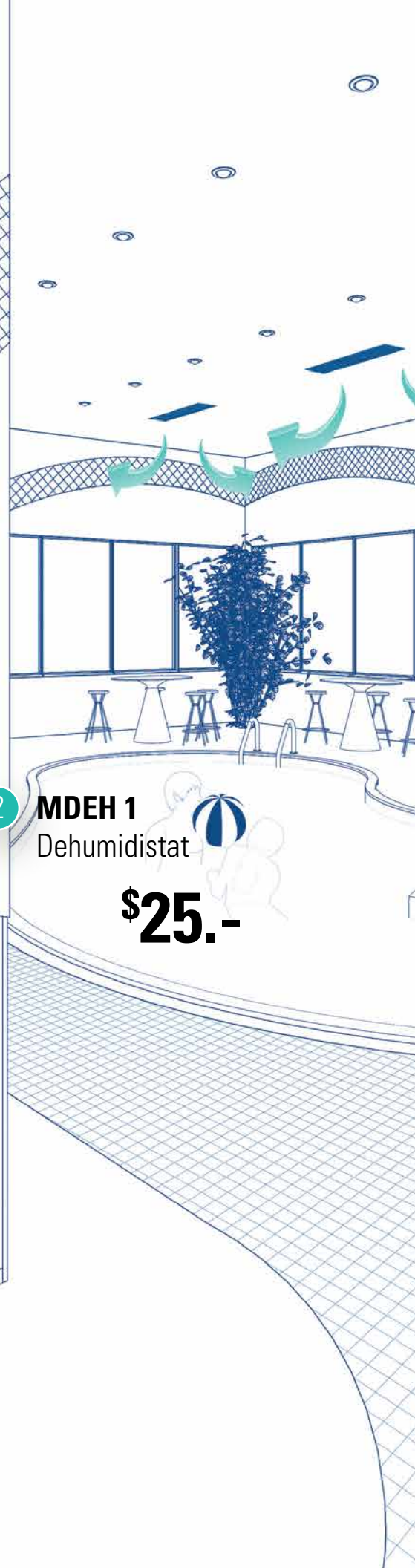
1



2

MDEH 1
Dehumidistat

\$25.-



Indoor pool

A Refreshing Choice

An indoor pool can be a lot of fun, if ventilated and dehumidified properly. The complex environment needs constant care and maintenance. Ventilation plays a significant role in occupant comfort and asset protection.

Chemicals used to treat the pool water can build up leading to possible respiratory problems for some swimmers. Bringing in a supply of fresh air and removing stale humid air can alleviate this problem. Chemicals can also build up causing structure corrosion diluting the pollution with fresh air can protect the building.

Using a Fantech Heat Recovery Ventilator provides an economical, energy saving solution to pool ventilation and dehumidification in climates where the air is dryer outside than inside. Heat from the exhaust air is transferred to the incoming cooler air raising the temperature and lowering the load on the HVAC system. The unit is designed to reduce the occurrence of condensation in the indoor environment by first operating in the recirculation mode, moving air around the structure, keeping windows dry and eliminating troublesome cold spots, then switching to air exchange mode as needed.

For correct sizing of your pool HRV contact Fantech Customer Support. See page 255.

1. SHR 14105R / \$4,295.- Heat Recovery Ventilator

120V, 10.8A, 1296W, 1410 cfm, max $P_s=2.0"$
The commercial Heat Recovery Ventilation system (HRV) is designed to supply air into a pool area, while exhausting an equal amount of contaminated air to the outside. The aluminum heat exchange core transfers sensible energy between air streams resulting in tempering of the supply air and reduced loads on the HVAC system. See page 210.

2. MDEH 1 / \$25- Dehumidistat

2-wire low voltage dehumidistat control with rotary dial. Just turn the dial to set the humidity level. Multiple units can be used with any HRV's.

Two simple steps to help you choose the ideal unit especially for you

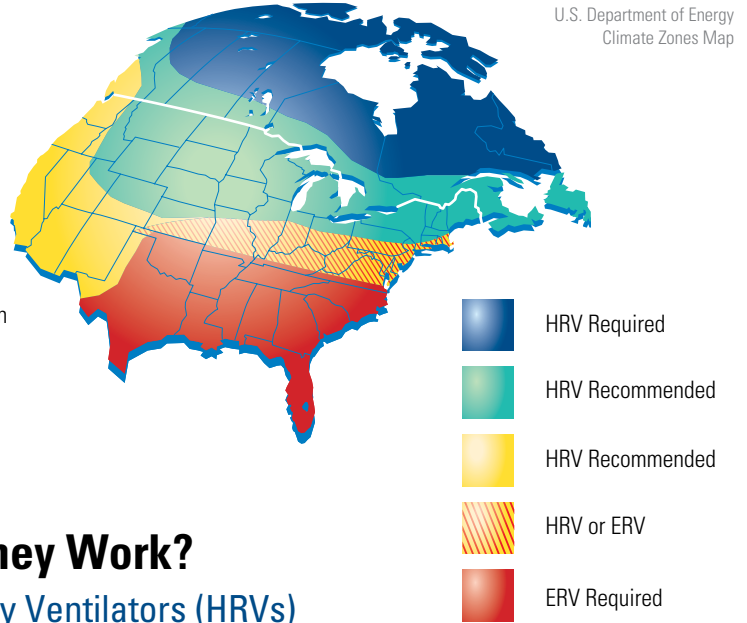
Step 1

HRV or ERV?

Pool & other humid applications: If you are using our equipment to ventilate a building where there is an indoor pool, an HRV should be used due to the high indoor relative humidity. In cold climates, we recommend using the SHR8005R or SHR11005R, since they have extra cabinet insulation to prevent condensation on the HRV and a more aggressive and energy efficient frost prevention system needed for indoor pool applications in cold climates (see defrost system explanation on the next page).

HRVs are recommended when the indoor relative humidity will be higher due to the presence of showers, spas, saunas and hot tubs. High occupancy density often results in higher indoor humidity, so HRV are also better in those applications.

ERVs are great in warmer climates where the outdoor temperatures rarely stays at 23°F or below for more than 12 hours.



How Do They Work?

Heat Recovery Ventilators (HRVs)

An HRV is designed to bring a continuous supply of fresh air into a building while exhausting an equal amount of contaminated air. HRVs use a sensible heat recovery core made of aluminum. This special aluminum core transfers heat from the warmer air stream to the colder air stream. Fresh incoming air is tempered by the heat that is transferred from the outgoing air so you save on energy costs in winter. During the summer, colder air-conditioned air absorbs the heat from the incoming outdoor air to pre-cool it before delivery to the building. Fantech HRVs are equipped with automatic defrost mechanisms so even if you live in the coldest climates you can use your HRV all year long.

Energy Recovery Ventilators (ERVs)

Fantech's ERV works much like the HRV but it is designed with a different type core. The enthalpy core at the center of the unit transfers heat and moisture from the warmer and more humid air to the cool and dryer air. The air brought into the living area is cooled and the humidity is reduced for maximum comfort. The load on your air conditioner is less and you save on cooling costs.

Step 2

How much ventilation do I need?

The industry standard to determine ventilation rates in non-residential application is ASHRAE 62.1 from the American Society of Heating, Refrigeration and Air Conditioning Engineers. Refer to ASHRAE 62.1 or local building code to ensure proper selection.

Below is a simplified table from the standard showing ventilation rates for different applications. This is an indication only and the full standard should be reviewed and/or the local building code reviewed to make the proper selection.

Room type	CFM / Person	CFM / ft ²
Daycare / Classroom	10	0.12 - 0.18
Restaurant dining room	7.5	0.18
Meeting room	5	0.06
Beauty salon	20	0.12
Dance floor	20	0.06

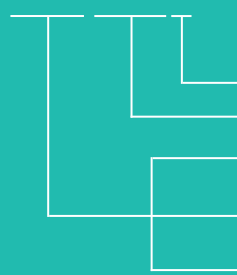
Table 1. Ventilation needs, depending on application, ASHRAE 62.1

Product Key:

SER 8504

(SHR 8005R)

Supply fan shutdown defrost
(Recirculation defrost)



- Number of duct connections
- Airflow in CFM at P_s 0.4 in.wg.
- S - Side duct connections
- H - Heat recovery using aluminum heat exchanger
- E - Enthalpy recovery using semi-permeable fibrous material
- R - Remote control (low voltage)

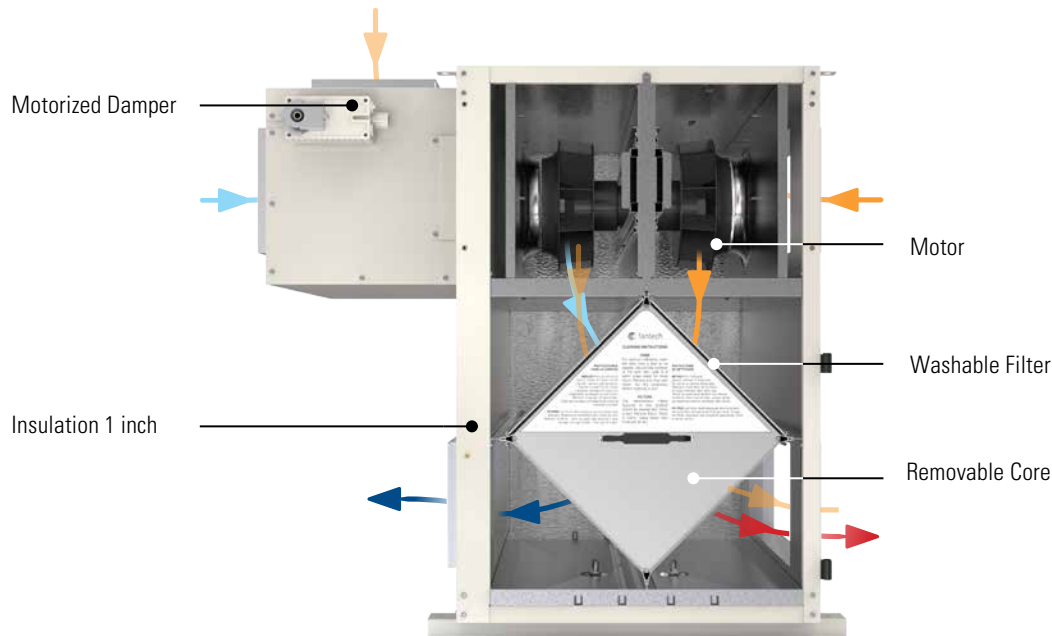
Defrost Mechanisms

A defrost mechanism is provided to ensure that when the outdoor air conditions are too cold, the HRV periodically re-energizes the energy exchanger to prevent its freeze-up. When the

outdoor air introduced into the HRV falls below 23°F, the defrost mechanism is activated and will cycle between normal operation and defrost for around 30 minutes and 5 minutes respectively,

until the outdoor air is warmer than 23°F. Two defrost mechanisms are available on the commercial Fantech HRV.

- Stale air to outside
- Fresh air from outside
- Stale air from inside
- Fresh air to inside
- Recirculation air from inside



Supply fan shutdown defrost

When the frost conditions exist, the supply air fan (the one pushing the fresh air into the building) is stopped while the exhaust air fan (the one exhausting stale air from the building to the outside) is set to run on high speed. This allows the energy recovery core to defrost to prevent freezing.

Advantages

- This is a simple and robust frost prevention system

Application note

If you will be integrating the HRV into a central air handling unit we recommend selecting the Recirculation Defrost models since they can actively block the outdoor air port with a damper mechanism, preventing outdoor air from entering the building when not being used.

Key Advantages

FAT Concept "Fantech Air Torque"

Backward inclined motorized impellers give more airflow and better efficiency.

Electronic Control Board

Superior microprocessor technology efficiently controls operation of unit.

Reversible Door Panels

The field reversible door panel are standard on these units. Access doors can be reversed to fit requirements.

Ease of Maintenance

The motors and cores are mounted on a removable sliding bases for quick and easy serviceability.

Recirculation defrost

When the frost conditions exist, a mechanical damper in the HRV closes the outdoor air inlet and opens a fifth duct connection. The exhaust fan shuts off while the supply fan goes on high speed. The supply fan then takes warm building air from the fifth duct connection and pulls it through the heat recovery core and delivers it back to the building. The fifth duct connection can either remain un-ducted in which case recirculation air is taken from the mechanical room where the HRV is located and used to re-energize the core. Alternatively a dedicated duct can be installed so the designer can take the recirculated air from a specific location in the building*.

Advantages

- The most energy efficient and aggressive frost prevention
- Ideal for higher humidity indoor conditions or colder outdoor conditions
- Allows the designer to select from where recirculated air is taken
- Provides a 'recirculation' mode that allows for the building air to be recirculated without bringing in fresh air.

* Recommended when HRV is used as a pre-conditioner to a central air handling unit.

SHR 6905R

Commercial Heat Recovery Ventilators



The SHR 6905R Commercial Heat Recovery Ventilation system (HRV) complements today's tight buildings. Fantech Heat Recovery Ventilators (HRV) are designed to supply air into a building while exhausting an equal amount of contaminated air to the outside. The aluminum heat exchange core transfers sensible energy between air streams resulting in tempering of the supply air and reduced loads on the HVAC system.

During the defrost sequence, a motorized damper temporarily blocks the incoming fresh air stream so that the warm air from the building can circulate through the HRV. The exhaust blower shuts down and the supply blower switches into high speed to maximize the effectiveness of the defrost strategy.



- Airflow up to 687 cfm @ 0.4" P_s
- Push-pull configuration
- External low voltage contacts
- Dual service doors & reversible electrical box
- External three position switch (Low/Standby/Medium)
- Improved BMS integration

Maximum continuous airflow

cfm \ in.wg	0.3" P _s	0.4" P _s	0.5" P _s	0.6" P _s	0.7" P _s	0.8" P _s	0.9" P _s	1.0" P _s	1.1" P _s	1.2" P _s
Supply air flow (high)	722	687	651	615	580	544	508	472	437	401
Exhaust air flow (high)	722	687	651	615	580	544	508	472	437	401

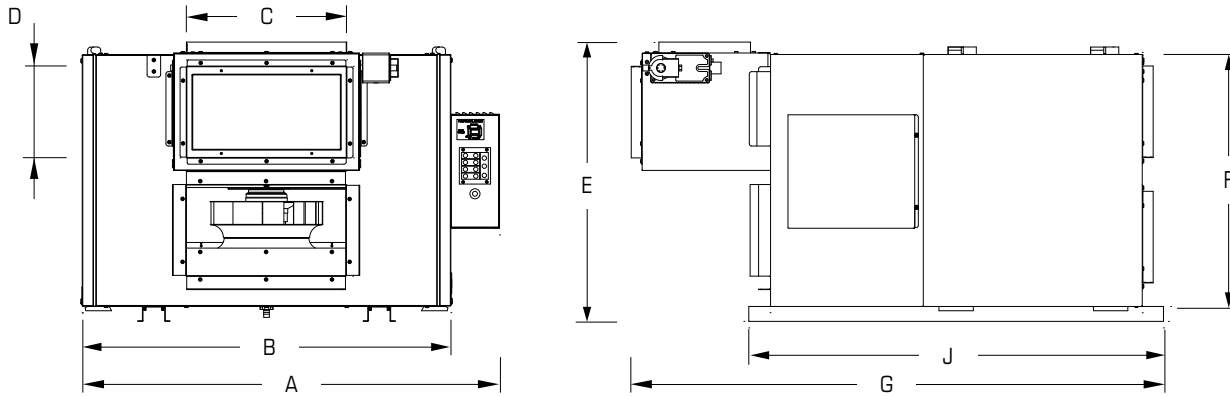
Energy performance

Heating	Supply temperature	Net airflow	Apparent sensible effectiveness
	°F	cfm	%
Heating	35	690	63
	35	518	68
Cooling	95	690	47
	95	518	49

Specification data

Model	Voltage / phase	Rated power	Max amps	Average airflow @ 0.4" P _s	Connection	Defrost cycle	Shipping weight	Item #	Class 1 or 2	List price
	V / ~	W	A	cfm			lbs			USD
SHR 6905R	120 / 1	660	5.5	687	Side	Recirculation	270	41047	2	2,919.00

Dimensions

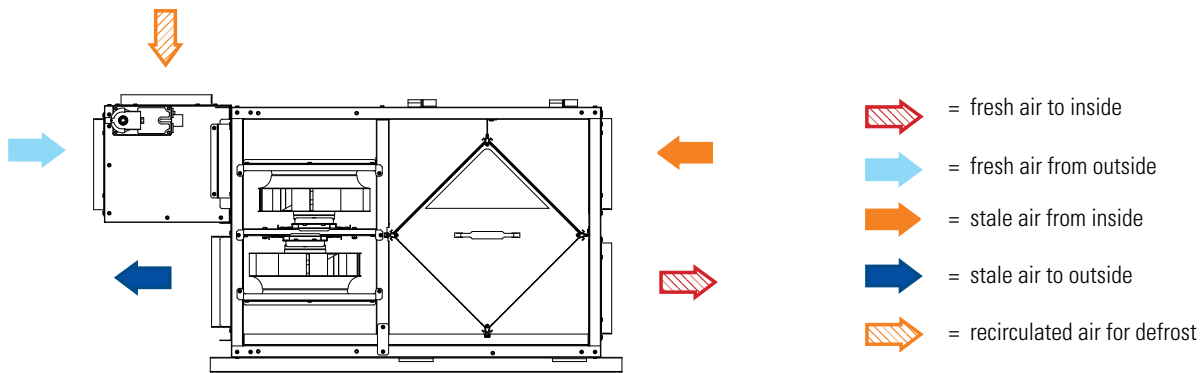


Model	A	B	C	D	E	F	G	J
SHR 6905R	36 1/2	32 5/16	14	8	24 3/8	22	46 1/2	36 1/4

Dimensional information is in inches.

* Electrical box can easily be relocated to the field to either the front or the back of the cabinet, depending on port direction installer chooses.

Operation diagram



Specifications

- Model: SHR 6905R
- Total assembled weight: 201 lbs
- Cabinet: 20 ga. steel w/powder coat finish
- Motors: backward curved blades
- Mounting: unit may be suspended by using threaded rod (not supplied) or placed on a platform
- Insulated with 1" aluminum foil-face fiberglass insulation to prevent condensation and meet the requirements of the UL 94HF.
- Core: 2 cores each 12" x 12" with a 15" depth
- Filters: 4 washable electrostatic filters

Accessories



Eco-Touch™
Wall Control
page 243



EDF 1
Electronic Control
page 243



EDF 7
Electronic Dehumidistat
page 244



RTS 3
Electronic Timer
page 243



MDEH
Dehumidistat
page 244



MGE
Exhaust Grille
page 241



MGS
Supply Grille
page 240



IR
Iris Damper
page 245

SHR 8005R

Commercial Heat Recovery Ventilators



The SHR 8005R Commercial Heat Recovery Ventilation system (HRV) complements today's tight buildings. Fantech Heat Recovery Ventilators (HRV) are designed to supply air into a building while exhausting an equal amount of contaminated air to the outside. The aluminum heat exchange core transfers sensible energy between air streams resulting in tempering of the supply air and reduced loads on the HVAC system.

During the defrost sequence, a motorized damper temporarily blocks the incoming fresh air stream so that the warm air from the building can circulate through the HRV. The exhaust blower shuts down and the supply blower switches into high speed to maximize the effectiveness of the defrost strategy.

- Airflow up to 772 cfm @ 0.4" P_s
- Push-push configuration
- External low voltage contacts
- Dual service doors & reversible electrical box
- External three position switch (Low/Standby/Medium)
- Improved BMS integration



Maximum continuous airflow

cfm \ in.wg	0.3" P _s	0.4" P _s	0.5" P _s	0.6" P _s	0.7" P _s	0.8" P _s	0.9" P _s	1.0" P _s	1.1" P _s	1.2" P _s	1.3" P _s	1.4" P _s	1.5" P _s
Supply air flow (high)	802	772	743	713	684	654	625	596	566	537	507	478	449
Exhaust air flow (high)	802	772	743	713	684	654	625	596	566	537	507	478	449

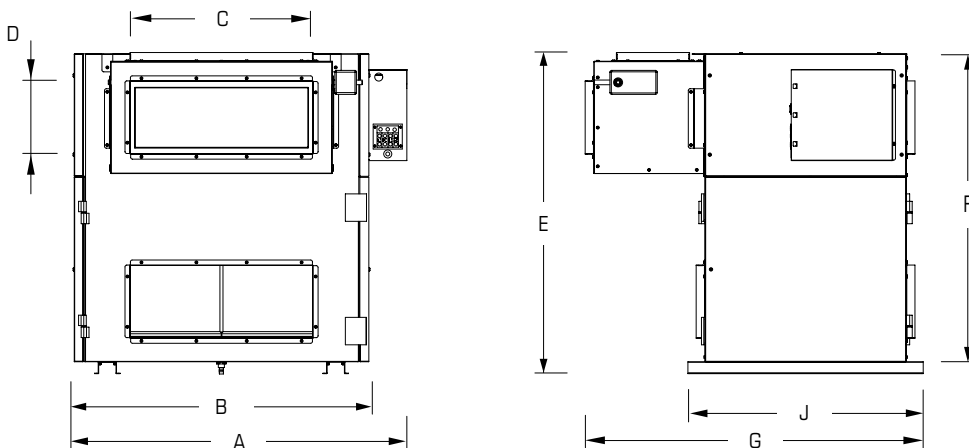
Energy performance

Heating	Supply temperature	Net airflow	Apparent sensible effectiveness
	°F	cfm	%
Heating	35	690	63
	35	518	61
Cooling	95	690	47
	95	518	49

Specification data

Model	Voltage / phase	Rated power	Max amps	Average airflow @ 0.4" P _s	Connection	Defrost cycle	Shipping weight	Item #	Class 1 or 2	List price
	V / ~	W	A	cfm			lbs			USD
SHR 8005R	120 / 1	648	5.3	772	Side	Recirculation	225	40455-1	2	3,410.00

Dimensions

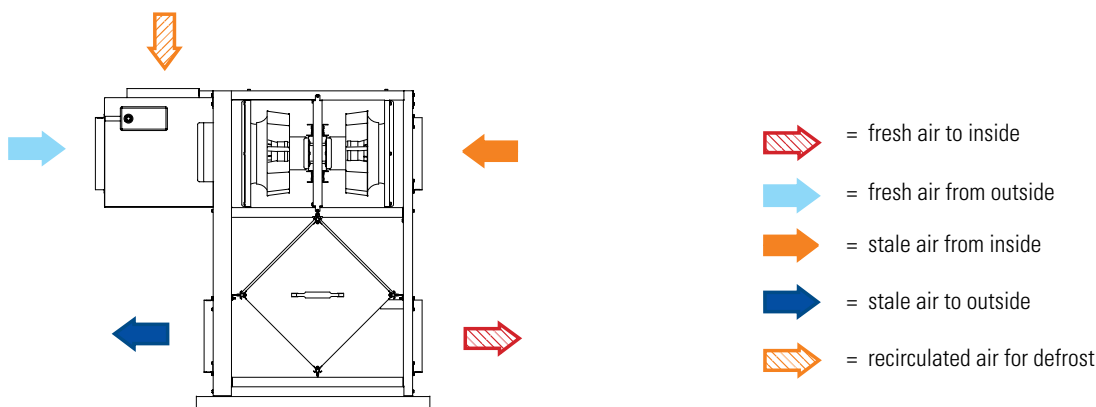


Model	A	B	C	D	E	F	G	J
SHR 8005R	36 1/2	32 3/16	20	8	35	33 5/8	36	25 3/4

Dimensional information is in inches.

* Electrical box can easily be relocated to the field to either the front or the back of the cabinet, depending on port direction installer chooses.

Operation diagram



Specifications

- Model: SHR 8005R
- Total assembled weight: 179 lbs
- Cabinet: 20 ga. steel w/powder coat finish
- Motors: backward curved blades
- Mounting: unit may be suspended by using threaded rod (not supplied) or placed on a platform
- Insulated with 1" aluminum foil-face fiberglass insulation to prevent condensation and meet the requirements of the UL 94HF
- Filters: 4 washable electrostatic filters
- Core: 2 cores each 12" x 12" with a 15" depth

Accessories



Eco-Touch™
Wall Control
page 243



EDF 1
Electronic Control
page 243



EDF 7
Electronic Dehumidistat
page 244



RTS 3
Electronic Timer
page 243



MDEH
Dehumidistat
page 244



MGE
Exhaust Grille
page 241



MGS
Supply Grille
page 240



IR
Iris Damper
page 245

SHR 11005R

Commercial Heat Recovery Ventilators



The SHR 11005R Commercial Heat Recovery Ventilation system (HRV) complements today's tight buildings. Fantech Heat Recovery Ventilators (HRV) are designed to supply air into a building while exhausting an equal amount of contaminated air to the outside. The aluminum heat exchange core transfers sensible energy between air streams resulting in tempering of the supply air and reduced loads on the HVAC system.

During the defrost sequence, a motorized damper temporarily blocks the incoming fresh air stream so that the warm air from the building can circulate through the HRV. The exhaust blower shuts down and the supply blower switches into high speed to maximize the effectiveness of the defrost strategy.



- Airflow up to 1032 cfm @ 0.4" P_s
- Push-push configuration
- External low voltage contacts
- Dual service doors & reversible electrical box
- External three position switch (Low/Standby/Medium)
- Improved BMS integration

Maximum continuous airflow

cfm	0.3" P _s	0.4" P _s	0.5" P _s	0.6" P _s	0.7" P _s	0.8" P _s	0.9" P _s	1.0" P _s	1.1" P _s	1.2" P _s	1.3" P _s	1.4" P _s	1.5" P _s	1.6" P _s
Supply air flow (high)	1082	1032	982	932	882	832	782	732	682	632	582	532	482	432
Exhaust air flow (high)	1082	1032	982	932	882	832	782	732	682	632	582	532	482	432

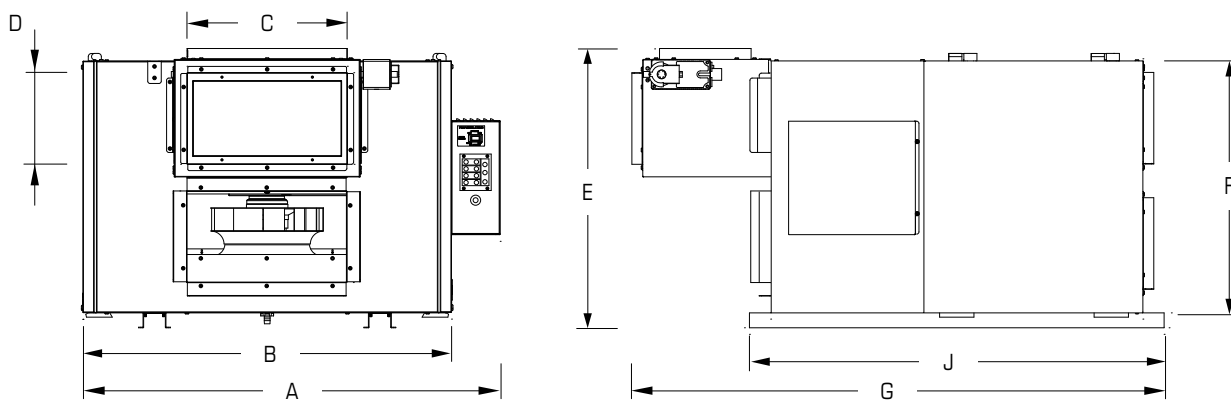
Energy performance

Heating	Supply temperature	Net airflow	Apparent sensible effectiveness
	°F	cfm	%
Heating	35	1035	63
	35	776	61
Cooling	95	1035	47
	95	776	49

Specification data

Model	Voltage / phase	Rated power	Max amps	Average airflow @ 0.4" P _s	Connection	Defrost cycle	Shipping weight	Item #	Class 1 or 2	List price
	V / ~	W	A	cfm			lbs			USD
SHR 11005R	120 / 1	1320	11	1032	Side	Recirculation	325	41048	2	3,845.00

Dimensions

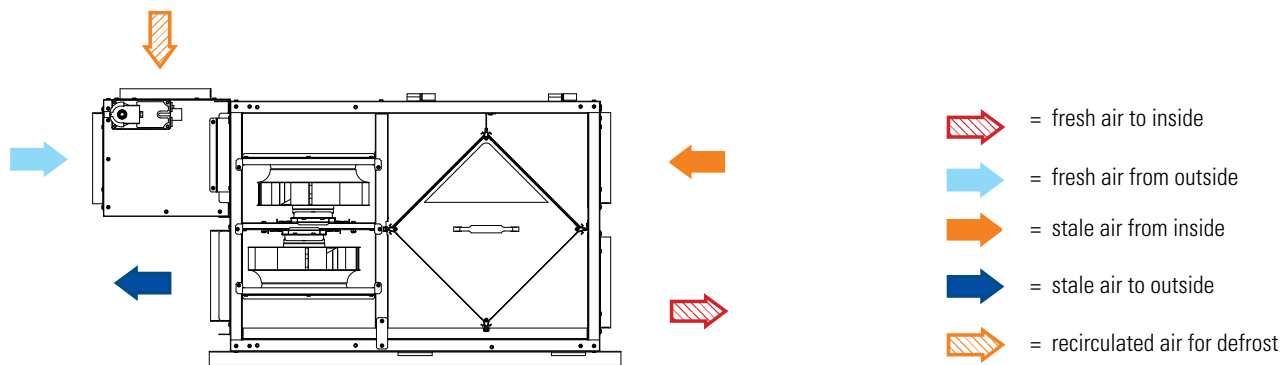


Model	A	B	C	D	E	F	G	J
SHR 11005R	51 ² / ₅	47 ¹ / ₅	20	8	24 ¹ / ₅	22	46 ¹ / ₂	36 ¹ / ₄

Dimensional information is in inches.

* Electrical box can easily be relocated to the field to either the front or the back of the cabinet, depending on port direction installer chooses.

Operation diagram



Specifications

- Model: SHR 11005R
- Total assembled weight: 259 lbs
- Cabinet: 20 ga. steel w/powder coat finish
- Motors: backward curved blades
- Mounting: unit may be suspended by using threaded rod (not supplied) or

- placed on a platform
- Insulated with 1" aluminum foil-face fiberglass insulation to prevent condensation and meet the requirements of the UL 94HF
- Filters: 6 washable electrostatic filters 11.75" x 15" x 0.26"
- Core: 3 cores each 12" x 12" with a 15" depth

Accessories

							
Eco-Touch™ Wall Control page 243	EDF 1 Electronic Control page 243	EDF 7 Electronic Dehumidistat page 244	RTS 3 Electronic Timer page 243	MDEH Dehumidistat page 244	MGE Exhaust Grille page 241	MGS Supply Grille page 240	IR Iris Damper page 245

SHR 14105R

Commercial Heat Recovery Ventilators



The SHR 14105R Commercial Heat Recovery Ventilation system (HRV) complements today's tight buildings. Fantech Heat Recovery Ventilators (HRV) are designed to supply air into a building while exhausting an equal amount of contaminated air to the outside. The aluminum heat exchange core transfers sensible energy between air streams resulting in tempering of the supply air and reduced loads on the HVAC system.

During the defrost sequence, a motorized damper temporarily blocks the incoming fresh air stream so that the warm air from the building can circulate through the HRV. The exhaust blower shuts down and the supply blower switches into high speed to maximize the effectiveness of the defrost strategy.

- Airflow up to 1430 cfm @ 0.4" P_s
- Push-push configuration
- External low voltage contacts
- Dual service doors & reversible electrical box
- External three position switch (Low/Standby/Medium)
- Improved BMS integration



Maximum continuous airflow

cfm \ in.wg	0.3" P _s	0.4" P _s	0.5" P _s	0.6" P _s	0.7" P _s	0.8" P _s	0.9" P _s	1.0" P _s	1.1" P _s	1.2" P _s	1.3" P _s	1.4" P _s	1.5" P _s
Supply air flow (high)	1485	1430	1374	1319	1263	1207	1152	1096	1041	985	930	874	819
Exhaust air flow (high)	1485	1430	1374	1319	1263	1207	1152	1096	1041	985	930	874	819

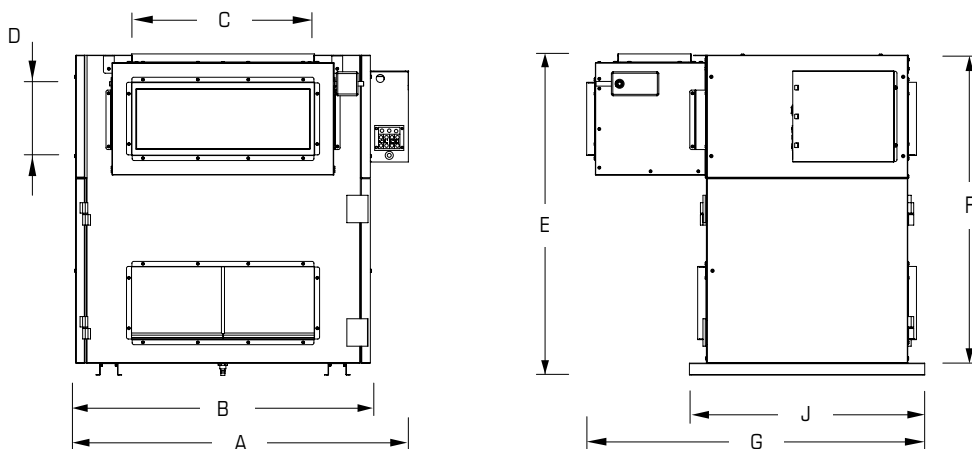
Energy performance

Heating	Supply temperature	Net airflow	Apparent sensible effectiveness
	°F	cfm	%
Heating	35	1410	55
	35	1058	57
Cooling	95	1410	44
	95	1058	47

Specification data

Model	Voltage / phase	Rated power	Max amps	Average airflow @ 0.4" P _s	Connection	Defrost cycle	Shipping weight	Item #	Class 1 or 2	List price
	V / ~	W	A	cfm			lbs			USD
SHR 14105R	120 / 1	1272	10.6	1430	Side	Recirculation	327	40445-1	2	4,295.00

Dimensions

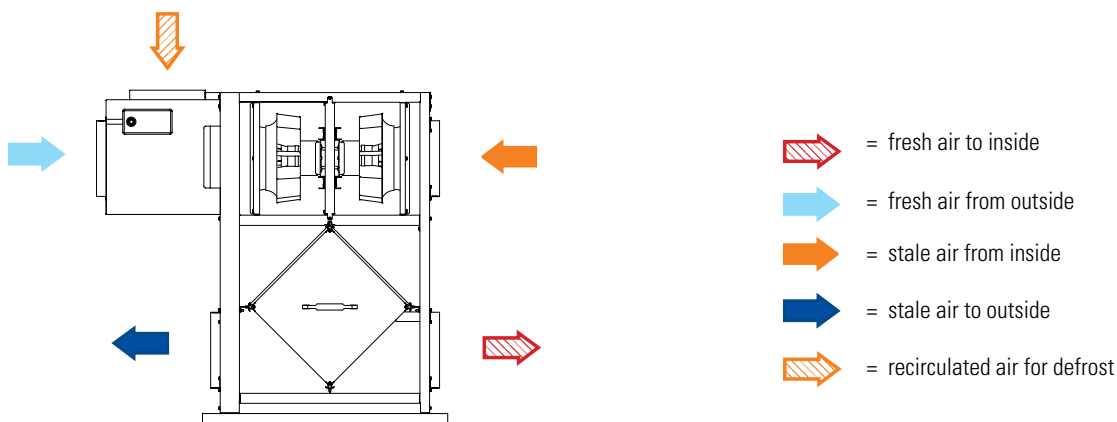


Model	A	B	C	D	E	F	G	J
SHR 14105R	51 2/5	47 1/5	24	8	35	33 5/8	36	25 3/4

Dimensional information is in inches.

* Electrical box can easily be relocated to the field to either the front or the back of the cabinet, depending on port direction installer chooses.

Operation diagram



Specifications

- Model: SHR 14105R
- Total assembled weight: 327 lbs
- Cabinet: 20 ga. steel w/powder coat finish
- Motors: backward curved blades
- Mounting: unit may be suspended by using threaded rod (not supplied) or placed on a platform
- Insulated with 1" aluminum foil-face fiberglass insulation to prevent condensation and meet the requirements of the UL 94HF.
- Core: 3 cores each 12" x 12" with a 15" depth
- Filters: 6 washable electrostatic filters

Accessories



Eco-Touch™
Wall Control
page 243



EDF 1
Electronic Control
page 243



EDF 7
Electronic Dehumidistat
page 244



RTS 3
Electronic Timer
page 243



MDEH
Dehumidistat
page 244



MGE
Exhaust Grille
page 241



MGS
Supply Grille
page 240



IR
Iris Damper
page 245

Good IAQ for your home away from home.



© lexiip - Fotolia.com

Office building

A breath of fresh air ventilating with an ERV

Fantech understands that keeping your energy costs down is important when running a successful business.

Installing a Fantech Energy Recovery Ventilator can reduce your air conditioning load by up to 20 percent. And, since ERV systems reduce humidity levels, your employees and clients will feel more comfortable.

It is well known that stale air in the workplace reduces employee performance and can lead to possible health issues. Introducing fresh air to the workspace with a Fantech ERV increases employee performance while reducing fatigue and possible health related absences.

All Fantech ERV's are designed to operate in conjunction with the building A/C system or as a standalone unit.

NEW

1. SER 11504 / \$5,020.- Energy Recovery Ventilator

120V, 1150 cfm @ 0.4 P_s

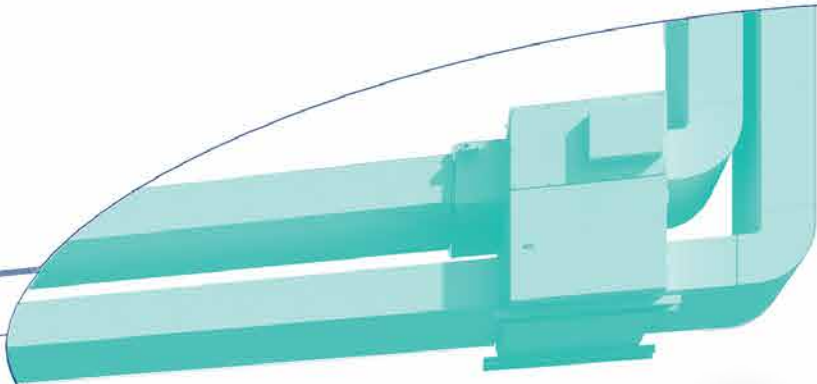
The energy recovery ventilator lowers demand on the air conditioning system. The unit is designed for warmer, humid climates with longer cooling seasons. See page 216.

NEW

2. EDF 7 / \$81.- (not shown) Electronic Multifunction Dehumidistat

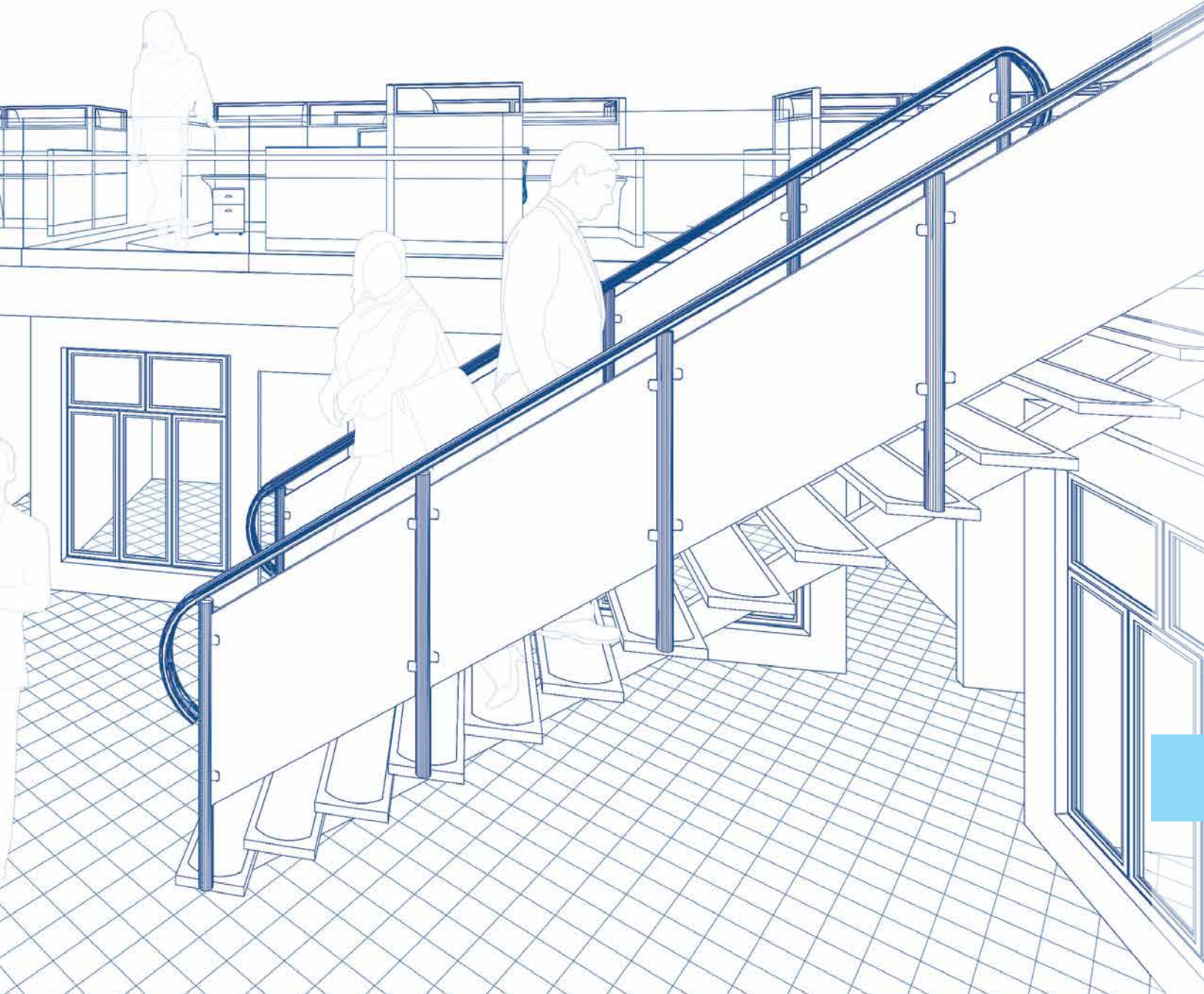
This newest electronic multifunction dehumidistat is compatible with all Fantech's HRV/ERV (except SH/VH 704). The control with an LCD backlit screen has 3 possible modes of operations:

Ventilation mode, Recirculation mode and Standby. No battery to replace. See page 244.



1 **SER 11504** **NEW**
Energy Recovery Ventilator

\$5,020.-



SHR 6904

Commercial Heat Recovery Ventilators



The SHR 6904 Commercial Heat Recovery Ventilation system (HRV) complements today's tight buildings. Fantech Heat Recovery Ventilators (HRV) are designed to supply air into a building while exhausting an equal amount of contaminated air to the outside. The aluminum heat exchange core transfers sensible energy between air streams resulting in tempering of the supply air and reduced loads on the HVAC system.

A preset defrost sequence is activated at an outdoor air temperature of 23°F and lower. During the defrost sequence, the supply blower shuts down & the exhaust blower continues to ventilate for a few minutes. The unit then returns to normal operation, and continues cycle.

- Airflow up to 687 cfm @ 0.4" P_s
- Push-pull configuration
- External low voltage contacts
- Dual service doors & reversible electrical box
- External three position switch (Low/Standby/Medium)
- Improved BMS integration



Maximum continuous airflow

cfm \ in.wg	0.3" P _s	0.4" P _s	0.5" P _s	0.6" P _s	0.7" P _s	0.8" P _s	0.9" P _s	1.0" P _s	1.1" P _s	1.2" P _s
Supply air flow (high)	722	687	651	615	580	544	508	472	437	401
Exhaust air flow (high)	722	687	651	615	580	544	508	472	437	401

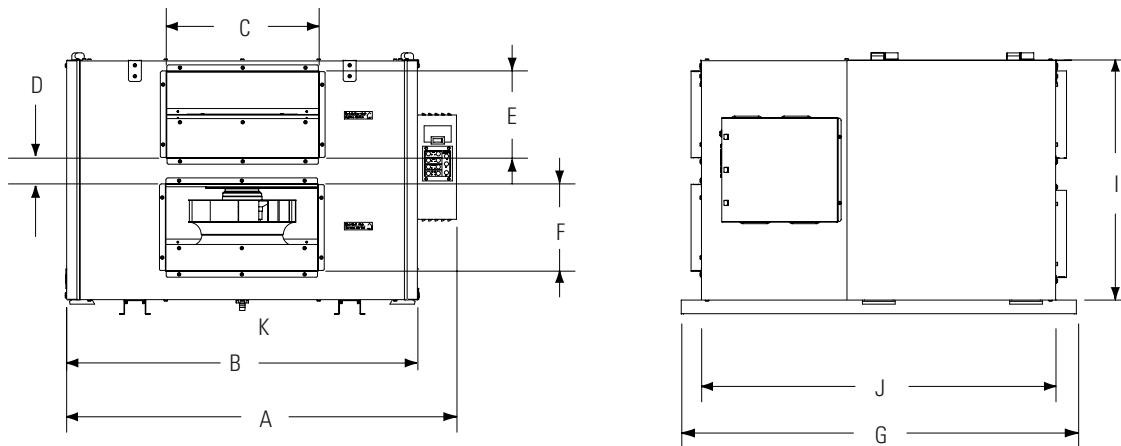
Energy performance

Heating	Supply temperature	Net airflow	Apparent sensible effectiveness
	°F	cfm	%
Heating	35	690	63
	35	518	68
Cooling	95	690	47
	95	518	49

Specification data

Model	Voltage / phase	Rated power	Max amps	Average airflow @ 0.4" P _s	Connection	Defrost cycle	Shipping weight	Item #	Class 1 or 2	List price
	V / ~	W	A	cfm			lbs			USD
SHR 6904	120 / 1	660	5.5	687	Side	Auto	255	40417	2	2,712.00

Dimensions

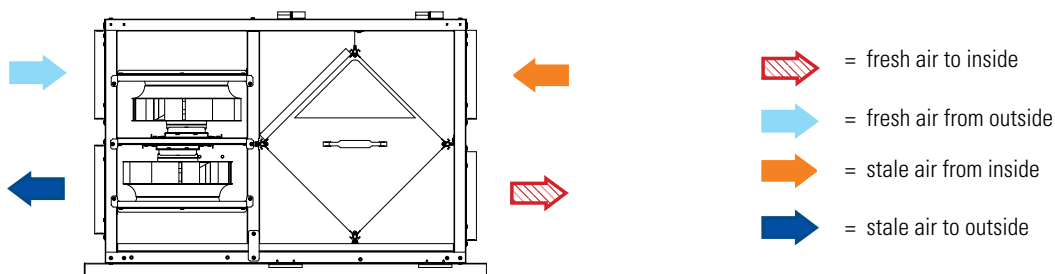


Model	A	B	C	D	E	F	G	J	I	K (drain spout)
SHR 6904	36 1/2	32 5/16	14	3	8	8	36 1/4	32 1/2	22	1/2

Dimensional information is in inches.

* Electrical box can easily be relocated to the field to either the front or the back of the cabinet, depending on port direction installer chooses.

Operation diagram



Specifications

- Model: SHR 6904
- Total assembled weight: 185 lbs
- Cabinet: 20 ga. steel w/powder coat finish
- Motors: backward curved blades
- Mounting: unit may be suspended by using threaded rod (not supplied) or

- placed on a platform
- Insulated with 1" aluminum foil-face fiberglass insulation to prevent condensation and meet the requirements of the UL 94HF.
- Core: 2 cores each 12" x 12" x 15"
- Filters: 4 washable electrostatic filters 11.5" x 11.4" x 0.125"

Accessories



Eco-Touch™
Wall Control
page 243



EDF 1
Electronic Control
page 243



EDF 7
Electronic Dehumidistat
page 244



RTS 3
Electronic Timer
page 243



MDEH
Dehumidistat
page 244



MGE
Exhaust Grille
page 241



MGS
Supply Grille
page 240



IR
Iris Damper
page 245

SHR 8004

Commercial Heat Recovery Ventilators



The SHR 8004 Commercial Heat Recovery Ventilation system (HRV) is perfect complement to today's tight buildings. Fantech Heat Recovery Ventilators (HRV) are designed to supply air into a building while exhausting an equal amount of contaminated air to the outside. The aluminum heat exchange core transfers sensible energy between air streams resulting in tempering of the supply air and reduced loads on the HVAC system.

A preset defrost sequence is activated at an outdoor air temperature of 23°F and lower. During the defrost sequence, the supply blower shuts down & the exhaust blower continues to ventilate for a few minutes. The unit then returns to normal operation, and continues cycle.

- Airflow up to 772 cfm @ 0.4" P_s
- Push-push configuration
- External low voltage contacts
- Dual service doors & reversible electrical box
- External three position switch (Low/Standby/Medium)
- Improved BMS integration



Maximum continuous airflow

cfm \ in.wg	0.3" P _s	0.4" P _s	0.5" P _s	0.6" P _s	0.7" P _s	0.8" P _s	0.9" P _s	1.0" P _s	1.1" P _s	1.2" P _s	1.3" P _s	1.4" P _s	1.5" P _s
Supply air flow (high)	802	772	743	713	684	654	625	596	566	537	507	478	449
Exhaust air flow (high)	802	772	743	713	684	654	625	596	566	537	507	478	449

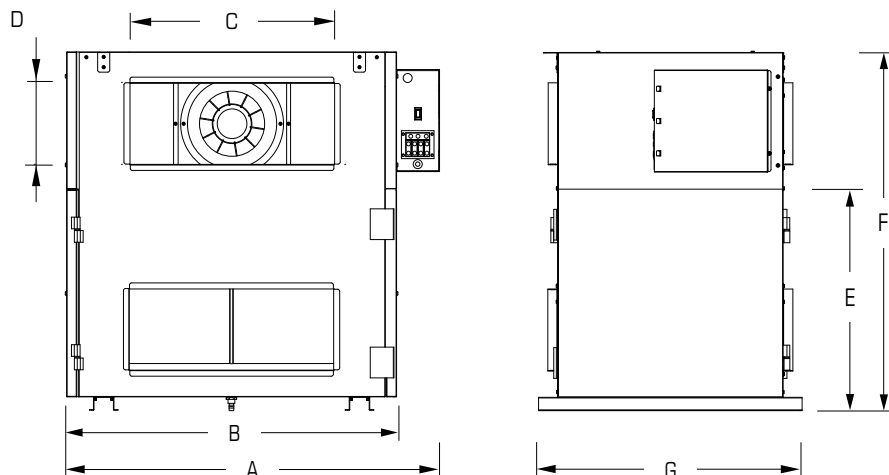
Energy performance

Heating	Supply temperature	Net airflow	Apparent sensible effectiveness
	°F	cfm	%
Heating	35	690	63
	35	518	61
Cooling	95	690	47
	95	518	49

Specification data

Model	Voltage / phase	Rated power	Max amps	Average airflow @ 0.4" P _s	Connection	Defrost cycle	Shipping weight	Item #	Class 1 or 2	List price
	V / ~	W	A	cfm			lbs			USD
SHR 8004	120 / 1	648	5.3	772	Side	Auto	228	40443-1	2	2,846.00

Dimensions

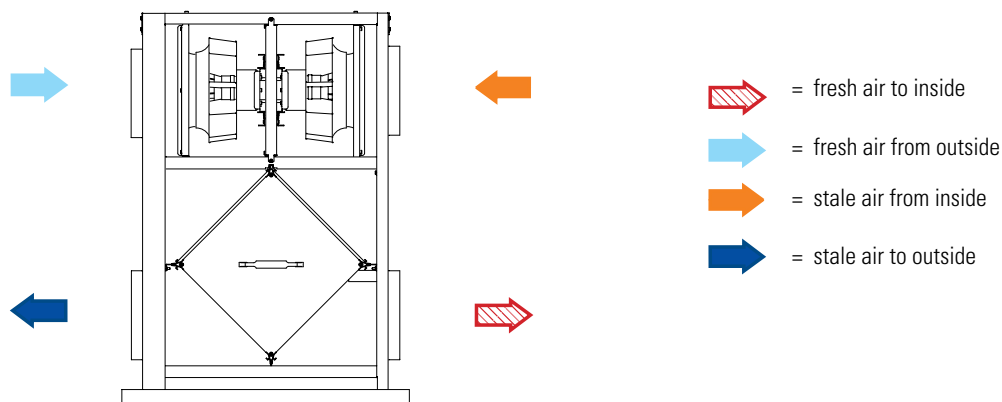


Model	A	B	C	D	E	F	G
SHR 8004	36 1/2	32 3/16	20	8	21 1/2	35	25 3/4

Dimensional information is in inches.

* Electrical box can easily be relocated to the field to either the front or the back of the cabinet, depending on port direction installer chooses.

Operation diagram



Specifications

- Model: SHR 8004
- Total assembled weight: 194 lbs
- Cabinet: 20 ga. steel w/powder coat finish
- Motors: backward curved blades
- Mounting: unit may be suspended by using threaded rod (not supplied) or placed on a platform
- Insulated with 1" aluminum foil-face fiberglass insulation to prevent condensation and meet the requirements of the UL 94HF
- Filters: 4 washable electrostatic filters
- Core: 2 cores each 12" x 12" with a 15" depth

Accessories



Eco-Touch™
Wall Control
page 243



EDF 1
Electronic Control
page 243



EDF 7
Electronic Dehumidistat
page 244



RTS 3
Electronic Timer
page 243



MDEH
Dehumidistat
page 244



MGE
Exhaust Grille
page 241



MGS
Supply Grille
page 240



IR
Iris Damper
page 245

SHR 11004

Commercial Heat Recovery Ventilators



The SHR 11004 Commercial Heat Recovery Ventilation system (HRV) complements today's tight buildings. Fantech Heat Recovery Ventilators (HRV) are designed to supply air into a building while exhausting an equal amount of contaminated air to the outside. The aluminum heat exchange core transfers sensible energy between air streams resulting in tempering of the supply air and reduced loads on the HVAC system.

A preset defrost sequence is activated at an outdoor air temperature of 23°F and lower. During the defrost sequence, the supply blower shuts down & the exhaust blower continues to ventilate for a few minutes. The unit then returns to normal operation, and continues cycle.

- Airflow up to 1032 cfm @ 0.4" P_s
- Push-pull configuration
- External low voltage contacts
- Dual service doors & reversible electrical box
- External three position switch (Low/Standby/Medium)
- Improved BMS integration



Maximum continuous airflow

cfm \ in.wg	0.3" P _s	0.4" P _s	0.5" P _s	0.6" P _s	0.7" P _s	0.8" P _s	0.9" P _s	1.0" P _s	1.1" P _s	1.2" P _s	1.3" P _s	1.4" P _s	1.5" P _s	1.6" P _s
Supply air flow (high)	1082	1032	982	932	882	832	782	732	682	632	582	532	482	432
Exhaust air flow (high)	1082	1032	982	932	882	832	782	732	682	632	582	532	482	432

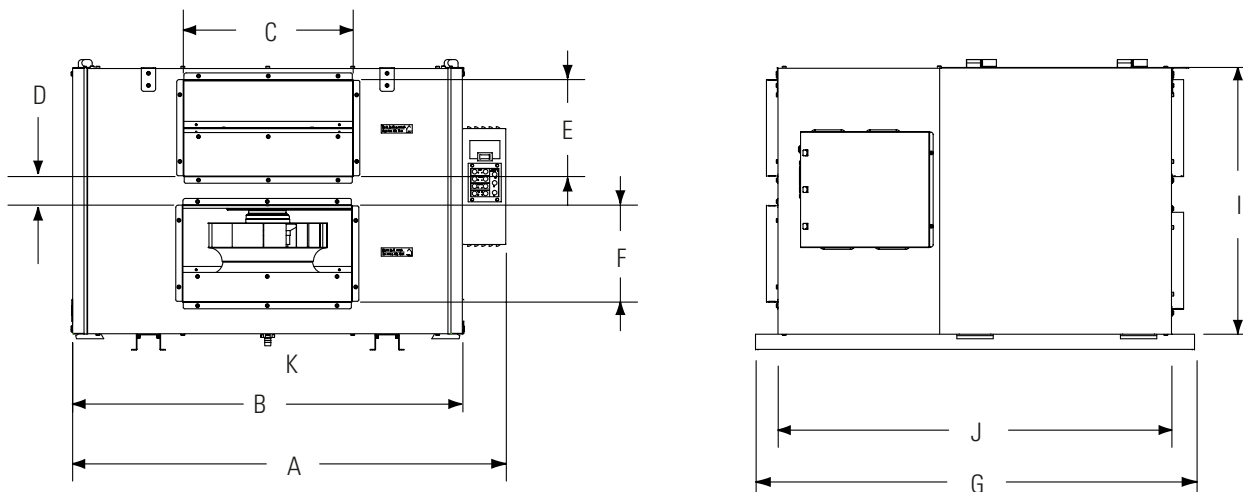
Energy performance

Heating	Supply temperature	Net airflow	Apparent sensible effectiveness
	°F	cfm	%
Heating	35	1035	63
	35	776	61
Cooling	95	1035	47
	95	776	49

Specification data

Model	Voltage / phase	Rated power	Max amps	Average airflow @ 0.4" P _s	Connection	Defrost cycle	Shipping weight	Item #	Class 1 or 2	List price
	V / ~	W	A	cfm			lbs			USD
SHR 11004	120 / 1	1320	11	1032	Side	Auto	310	40419	2	3,478.00

Dimensions

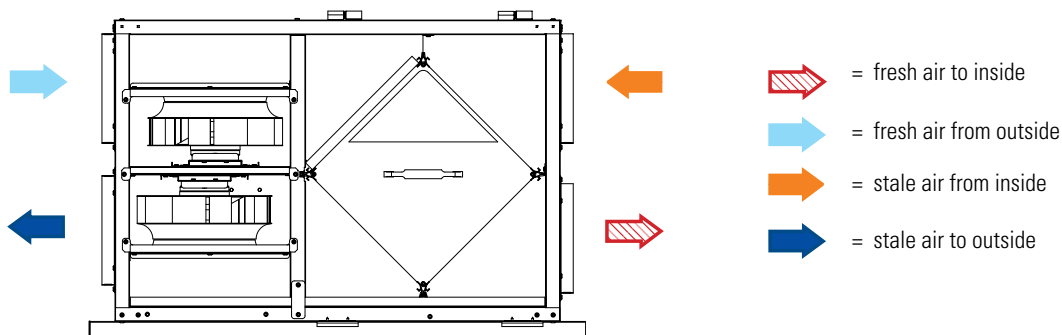


Model	A	B	C	D	E	F	G	J	I
SHR 11004	51 2/5	47 1/5	20	3	8	8	36 1/3	32 1/2	22

Dimensional information is in inches.

* Electrical box can easily be relocated to the field to either the front or the back of the cabinet, depending on port direction installer chooses.

Operation diagram



Specifications

- Model: SHR 11004
- Total assembled weight: 240 lbs
- Cabinet: 20 ga. steel w/powder coat finish
- Motors: backward curved blades
- Mounting: unit may be suspended by using threaded rod (not supplied) or

placed on a platform

- Insulated with 1" aluminum foil-face fiberglass insulation to prevent condensation and meet the requirements of the UL 94HF.
- Filters: 6 washable electrostatic filters 11.75" x 15" x 0.26"
- Core: 3 cores each 12" x 12" with a 15" depth

Accessories



Eco-Touch™
Wall Control
page 243



EDF 1
Electronic Control
page 243



EDF 7
Electronic Dehumidistat
page 244



RTS 3
Electronic Timer
page 243



MDEH
Dehumidistat
page 244



MGE
Exhaust Grille
page 241



MGS
Supply Grille
page 240



IR
Iris Damper
page 245

SHR 14104

Commercial Heat Recovery Ventilators



The SHR 14104 Commercial Heat Recovery Ventilation system (HRV) complements today's tight buildings. Fantech Heat Recovery Ventilators (HRV) are designed to supply air into a building while exhausting an equal amount of contaminated air to the outside. The aluminum heat exchange core transfers sensible energy between air streams resulting in tempering of the supply air and reduced loads on the HVAC system.

A preset defrost sequence is activated at an outdoor air temperature of 23°F and lower. During the defrost sequence, the supply blower shuts down & the exhaust blower continues to ventilate for a few minutes. The unit then returns to normal operation, and continues cycle.

- Airflow up to 1,430 cfm @ 0.4" P_s
- Push-pull configuration
- External low voltage contacts
- Dual service doors & reversible electrical box
- External three position switch (Low/Standby/Medium)
- Improved BMS integration



Maximum continuous airflow

cfm \ in.w.g	0.3" P _s	0.4" P _s	0.5" P _s	0.6" P _s	0.7" P _s	0.8" P _s	0.9" P _s	1.0" P _s	1.1" P _s	1.2" P _s	1.3" P _s	1.4" P _s	1.5" P _s
Supply air flow (high)	1485	1430	1374	1319	1263	1207	1152	1096	1041	985	930	874	819
Exhaust air flow (high)	1485	1430	1374	1319	1263	1207	1152	1096	1041	985	930	874	819

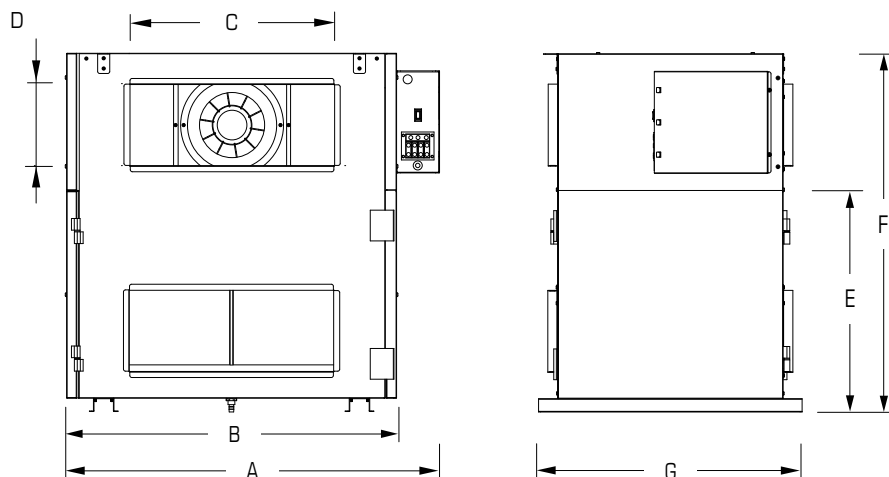
Energy performance

Heating	Supply temperature	Net airflow	Apparent sensible effectiveness
	°F	cfm	%
Heating	35	1410	55
	35	1058	57
Cooling	95	1410	44
	95	1058	47

Specification data

Model	Voltage / phase	Rated power	Max amps	Average airflow @ 0.4" P _s	Connection	Defrost cycle	Shipping weight	Item #	Class 1 or 2	List price
	V / ~	W	A	cfm			lbs			USD
SHR 14104	120 / 1	1272	11	1430	Side	Auto	310	40438-1	2	3,726.00

Dimensions

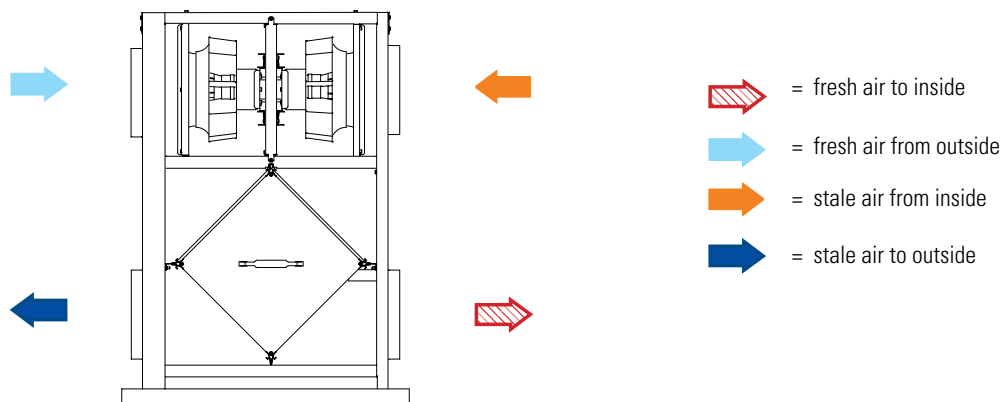


Model	A	B	C	D	E	F	G
SHR 14104	51 ² / ₅	47 ¹ / ₅	24	8	21 ¹ / ₂	35	25 ³ / ₄

Dimensional information is in inches.

* Electrical box can easily be relocated to the field to either the front or the back of the cabinet, depending on port direction installer chooses.

Operation diagram



Specifications

- Model: SHR 14104
- Total assembled weight: 240 lbs
- Cabinet: 20 ga. steel w/powder coat finish
- Motors: backward curved blades
- Mounting: unit may be suspended by using threaded rod (not supplied) or placed on a platform
- Insulated with 1" aluminum foil-face fiberglass insulation to prevent condensation and meet the requirements of the UL 94HF
- Core: 3 cores each 12" x 12" with a 15" depth
- Filters: 6 washable electrostatic filters

Accessories

							
Eco-Touch™ Wall Control page 243	EDF 1 Electronic Control page 243	EDF 7 Electronic Dehumidistat page 244	RTS 3 Electronic Timer page 243	MDEH Dehumidistat page 244	MGE Exhaust Grille page 241	MGS Supply Grille page 240	IR Iris Damper page 245

SER 5504 **NEW**



Commercial Energy Recovery Ventilator

The SER Series lowers demand on air conditioning systems. Air supplied from outdoors enters through the energy recovery core where it transfers the heat and moisture the incoming air to the outgoing air that was cooled and dried by the building's air conditioner. The air brought into the working area is cooled and the humidity is reduced for maximum comfort. Reduces the load on an air conditioner to save on cooling costs. This unit is designed for warmer, humid climates with longer cooling seasons.

A preset defrost sequence is activated at an outdoor air temperature of 23°F and lower. During the defrost sequence, the supply blower shuts down & the exhaust blower continues to ventilate for a few minutes. The unit then returns to normal operation, and continues cycle.

- Airflow up to 533 cfm @ 0.4" P_s
- Push-pull configuration
- External low voltage contacts
- Dual service doors & reversible electrical box
- External three position switch (Low/Standby/Medium)
- Improved BMS integration



Maximum continuous airflow

cfm \ in.wg	0.3" P _s	0.4" P _s	0.5" P _s	0.6" P _s	0.7" P _s	0.8" P _s	0.9" P _s	1.0" P _s	1.1" P _s	1.2" P _s	1.3" P _s	1.4" P _s	1.5" P _s
Supply air flow (high)	559	533	506	480	454	427	401	374	348	322	295	269	243
Exhaust air flow (high)	559	533	506	480	454	427	401	374	348	322	295	269	243

Energy performance

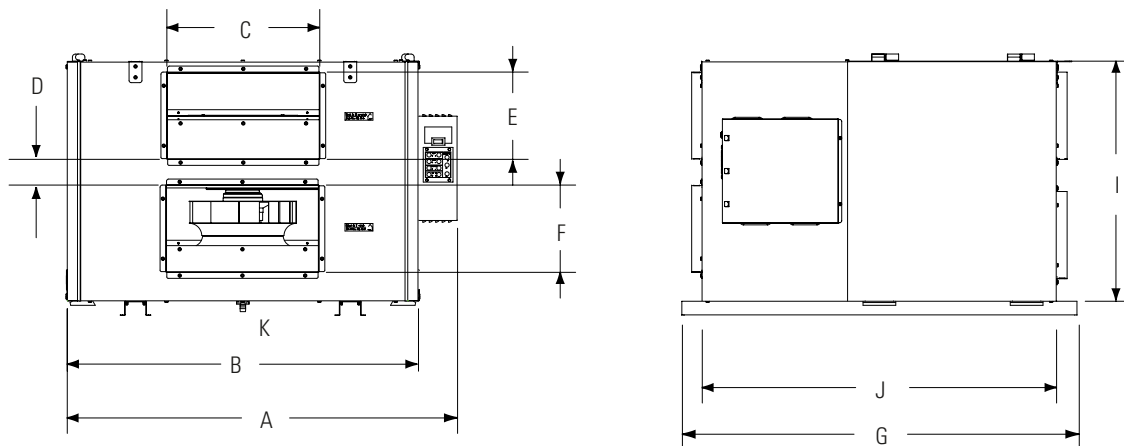
	Supply temperature	Net Airflow	Sensible recovery efficiency	Latent recovery efficiency	Total recovery efficiency
	°F	cfm	%	%	%
Heating	35	560	67	39	57
	35	420	70	46	62
Cooling	95	560	64	28	42
	95	420	67	34	47

Specification data

Model	Voltage / phase	Rated power	Max amps	Average airflow @ 0.4" P _s	Connection	Defrost cycle	Shipping weight	Item #	Class 1 or 2	List price
	V / ~	W	A	cfm			lbs			USD
SER 5504	120 / 1	660	5.5	533	Side	Auto	239	44925	2	3,325.00

NEW

Dimensions

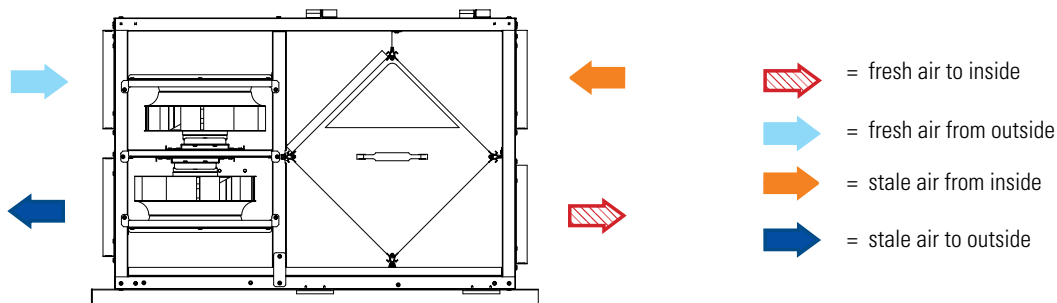


Model	A	B	C	D	E	F	G	J	I
SER 5504	36 1/3	32 1/5	14	2 2/5	8	8	36 1/3	32 1/2	22

Dimensional information is in inches.

* Electrical box can easily be relocated to the field to either the front or the back of the cabinet, depending on port direction installer chooses.

Operation diagram



Specifications

- Model: SER 5504
- Total assembled weight: 169 lbs
- Cabinet: 20 ga. steel w/powder coat finish
- Motors: backward curved blades
- Mounting: unit may be suspended by using threaded rod (not supplied) or placed on a platform
- Insulated with 1" aluminum foil-face fiberglass insulation to prevent condensation and meet the requirements of the UL 94HF
- Filters: 4 washable electrostatic filters
- Core: 2 cores each 12" x 12" with a 15" depth

Accessories



Eco-Touch™
Wall Control
page 243



EDF 1
Electronic Control
page 243



EDF 7
Electronic Dehumidistat
page 244



RTS 3
Electronic Timer
page 243



MGE
Exhaust Grille
page 241



MGS
Supply Grille
page 240



IR
Iris Damper
page 245

SER 8504 **NEW**



Commercial Energy Recovery Ventilator

The SER Series lowers demand on air conditioning systems. Air supplied from outdoors enters through the energy recovery core where it transfers the heat and moisture the incoming air to the outgoing air that was cooled and dried by the building's air conditioner. The air brought into the working area is cooled and the humidity is reduced for maximum comfort. Reduces the load on an air conditioner to save on cooling costs. This unit is designed for warmer, humid climates with longer cooling seasons.

A preset defrost sequence is activated at an outdoor air temperature of 23°F and lower. During the defrost sequence, the supply blower shuts down & the exhaust blower continues to ventilate for a few minutes. The unit then returns to normal operation, and continues cycle.



- Airflow up to 900 cfm @ 0.4" P_s
- Push-pull configuration
- External low voltage contacts
- No defrost
- Dual service doors & reversible electrical box
- External three position switch (Low/Standby/Medium)
- Improved BMS integration

Maximum continuous airflow

cfm \ in.wg	0.4" P _s	0.5" P _s	0.6" P _s	0.7" P _s	0.8" P _s	0.9" P _s	1.0" P _s	1.1" P _s	1.2" P _s	1.3" P _s	1.4" P _s	1.5" P _s	1.6" P _s
Supply air flow (high)	900	860	821	781	741	702	662	622	583	543	503	464	424
Exhaust air flow (high)	900	860	821	781	741	702	662	622	583	543	503	464	424

Energy performance

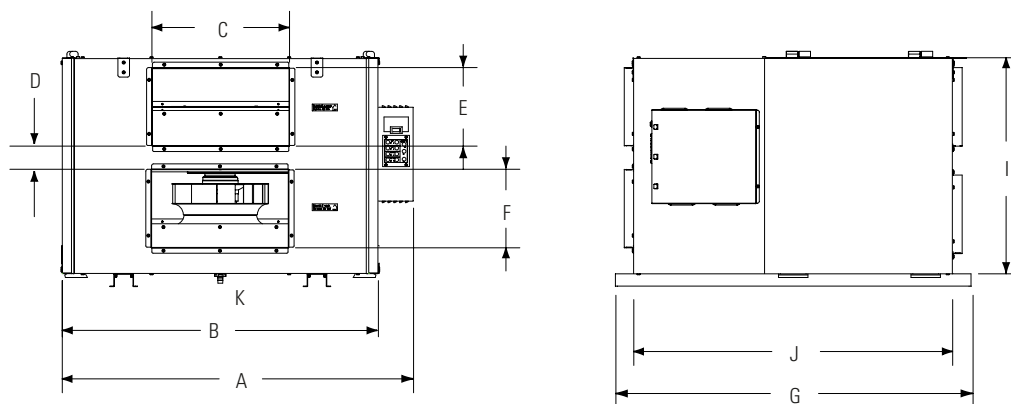
	Supply temperature	Net Airflow	Sensible recovery efficiency	Latent recovery efficiency	Total recovery efficiency
	°F	cfm	%	%	%
Heating	35	560	67	39	57
	35	420	70	46	62
Cooling	95	560	64	28	42
	95	420	67	34	47

Specification data

Model	Voltage / phase	Rated power	Max amps	Average airflow @ 0.4" P _s	Connection	Defrost cycle	Shipping weight	Item #	Class 1 or 2	List price
	V / ~	W	A	cfm			lbs			USD
SER 8504	120	1320	11.0	900	Side	Auto	280	44926	2	4,782.00

NEW

Dimensions

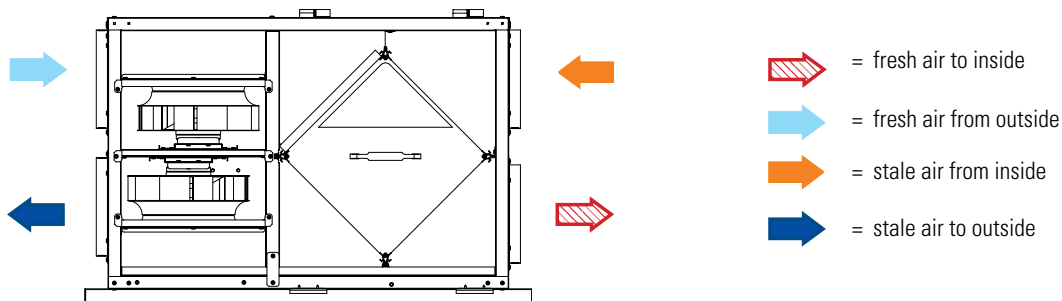


Model	A	B	C	D	E	F	G	J	I
SER 8504	51 ² / ₅	47 ¹ / ₅	20	3	8	8	36 ¹ / ₄	32 ¹ / ₂	22

Dimensional information is in inches.

* Electrical box can easily be relocated to the field to either the front or the back of the cabinet, depending on port direction installer chooses.

Operation diagram



Specifications

- Model: SER 8504
- Total assembled weight: 210 lbs
- Cabinet: 20 ga. steel w/powder coat finish
- Motors: backward curved blades
- Mounting: unit may be suspended by using threaded rod (not supplied) or placed on a platform
- Insulated with 1" aluminum foil-face fiberglass insulation to prevent condensation and meet the requirements of the UL 94HF.
- Filters: 6 washable electrostatic filters
- Core: 3 cores each 12" x 12" with a 15" depth

Accessories



Eco-Touch™
Wall Control
page 243



EDF 1
Electronic Control
page 243



EDF 7
Electronic Dehumidistat
page 244



RTS 3
Electronic Timer
page 243



MGE
Exhaust Grille
page 241



MGS
Supply Grille
page 240



IR
Iris Damper
page 245

SER 11504 **NEW**



Commercial Energy Recovery Ventilator

The SER Series lowers demand on air conditioning systems. Air supplied from outdoors enters through the energy recovery core where it transfers the heat and moisture the incoming air to the outgoing air that was cooled and dried by the building’s air conditioner. The air brought into the working area is cooled and the humidity is reduced for maximum comfort. Reduces the load on an air conditioner to save on cooling costs. This unit is designed for warmer, humid climates with longer cooling seasons.

Applications include classrooms, retail shops, hair salons, bars and restaurants, offices, clinics, and animal shelters, etc.

- Airflow up to 1,132 cfm @ 0.4" P_s
- Push-push configuration
- External low voltage contacts
- No defrost
- Dual service doors & reversible electrical box
- External three position switch (Low/Standby/Medium)
- Improved BMS integration



Maximum continuous airflow

cfm \ in.wg	0.3" P _s	0.4" P _s	0.5" P _s	0.6" P _s	0.7" P _s	0.8" P _s	0.9" P _s	1.0" P _s	1.1" P _s	1.2" P _s	1.3" P _s	1.4" P _s	1.5" P _s
Supply air flow (high)	1176	1132	1088	1045	1001	958	914	870	827	783	739	696	652
Exhaust air flow (high)	1176	1132	1088	1045	1001	958	914	870	827	783	739	696	652

Energy performance

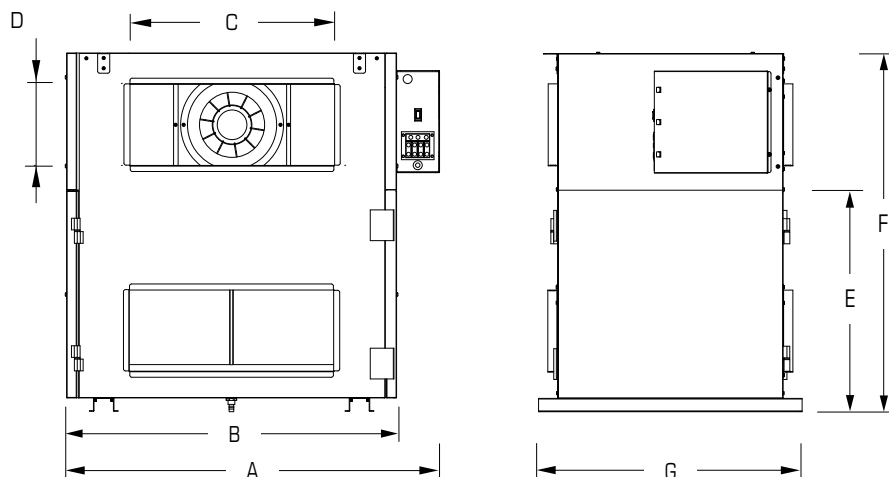
	Supply temperature	Net Airflow	Sensible recovery efficiency	Latent recovery efficiency	Total recovery efficiency
	°F	cfm	%	%	%
Heating	35	1050	61	31	51
	35	788	68	41	55
Cooling	95	1050	58	24	37
	95	788	64	30	43

Specification data

Model	Voltage / phase	Rated power	Max amps	Average airflow @ 0.4" P _s	Connection	Defrost cycle	Shipping weight	Item #	Class 1 or 2	List price
	V / ~	W	A	cfm			lbs			USD
SER 11504	120	1272	10.6	1132	Side	Auto	278	44927	2	5,020.00

NEW

Dimensions

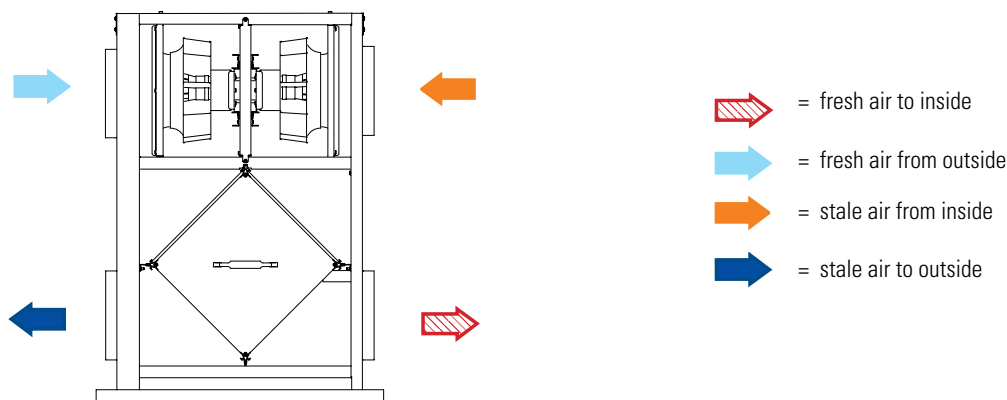


Model	A	B	C	D	E	F	G
SER 11504	51 ² / ₅	47 ¹ / ₅	24	8	22	35	25 ⁷ / ₉

Dimensional information is in inches.

* Electrical box can easily be relocated to the field to either the front or the back of the cabinet, depending on port direction installer chooses.

Operation diagram



Specifications

- Model: SER 11504
- Total assembled weight: 208 lbs
- Cabinet: 20 ga. steel w/powder coat finish
- Motors: backward curved blades
- Mounting: unit may be suspended by using threaded rod (not supplied) or placed on a platform
- Insulated with 1" aluminum foil-face fiberglass insulation to prevent condensation and meet the requirements of the UL 94HF
- Filters: 6 washable electrostatic filters
- Core: 3 cores each 12" x 12" with a 15" depth

Accessories



Eco-Touch™
Wall Control
page 243



EDF 1
Electronic Control
page 243



EDF 7
Electronic Dehumidistat
page 244



RTS 3
Electronic Timer
page 243



MGE
Exhaust Grille
page 241



MGS
Supply Grille
page 240



IR
Iris Damper
page 245

MILLIONS OF AGING ROOF FANS

Existing buildings across the US have one thing in common... aging and failing equipment, which include millions of Powered Roof Ventilators (PRVs).

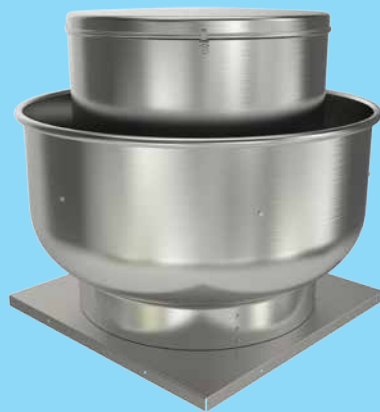
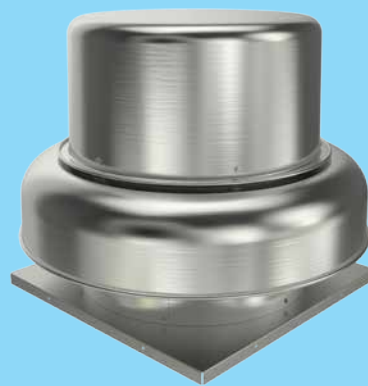
Fantech offers you the most versatile PRV product offering, proving once again, whatever the need, we have you covered.

WILL NEED TO BE REPLACED

5BDD 13DB-A

Downblast Roof Ventilator

\$904.-



\$958.-

Upblast Roof Ventilator

5BDU 13DB-A

Contact your local Fantech Distributor for details.
Find a store near you on fantech.net/enus/where-to-buy

5BDD Series

Belt Drive Downblast Roof Ventilators



Fantech, Inc. certifies that the Belt-Drive Downblast Centrifugal Roof Ventilators shown herein are licensed to bear the AMCA Seal. The ratings shown are based on tests and procedures performed in accordance with AMCA Publication 211 and AMCA Publication 311 and comply with the requirements of the AMCA Certified Ratings Program.

Roof mounted belt drive downblast ventilators are designed to exhaust air out of commercial and industrial buildings. These models are for roof mounting only. Motor and wheel are easily detachable without removing ventilator from curb. Permanently lubricated ball bearings (5BDD 10 - 5BDD 13) and regreasable pillow block bearings (5BDD 15 - 5BDD 24).

Welded curb cap corners eliminate water entry into ducts or building. Ball bearing motors and variable pitch drives are packed separately when ordered with ventilators.



- All ventilators are UL 705 Standard listed
- Durable spun aluminum construction with steel support braces
- Inlet temperatures up to 170°F
- Backward inclined aluminum fan wheel
- Equipped with a built-in bird screen to protect discharge
- Externally cooled motor compartment

Specification data

Model	Rated power	Voltage	RPM	0.0" P _s	0.25" P _s	0.375" P _s	0.50" P _s	0.625" P _s	0.75" P _s	1.0" P _s	Shipping weight	Item #	Class 1 or 2	List price		
	HP	V / ~	min ⁻¹	cfm											lbs	USD
	Sones [†] BHP [#]															
5BDD 10BB-A	1/4	120/230	1819	1197 14.2 0.22	1104 14.3 0.23	1055 13.9 0.24	1004 13.4 0.24	950 13.4 0.25	884 12.7 0.25	723 12.1 0.25	107	46900	2	749.00		
5BDD 12CB-A	1/3	120/230	1566	1611 13.1 0.29	1481 12.7 0.31	1414 12.7 0.32	1339 12.3 0.32	1260 11.7 0.33	1169 11.0 0.33	966 10.3 0.33	120	46902	2	835.00		
5BDD 13DB-A	1/2	120/230	1528	2106 18.5 0.41	1969 16.8 0.44	1901 15.9 0.45	1820 14.9 0.46	1735 14.7 0.47	1645 14.2 0.47	1446 13.3 0.48	132	46905	2	904.00		
5BDD 15DB-A	1/2	120/230	1301	2587 15.4 0.44	2402 15.0 0.48	2308 15.0 0.48	2190 14.0 0.49	2072 14.2 0.50	1939 14.0 0.50	1633 13.0 0.49	144	46909	2	1,043.00		
5BDD 16EB-A	3/4	120/208-230	1261	3235 17.9 0.63	3036 16.8 0.67	2936 16.3 0.68	2817 16.3 0.70	2698 15.4 0.71	2579 15.2 0.72	2269 14.5 0.72	159	46918	2	1,113.00		
5BDD 18FB-A	1	120/208-230	1169	4324 17.5 0.86	4075 16.7 0.91	3951 16.5 0.93	3815 15.9 0.96	3667 15.5 0.97	3520 15.4 0.99	3179 14.5 1.00	197	46927	2	1,252.00		
5BDD 20GB-A	1-1/2	120/208-230	1154	5506 23 1.27	5222 22 1.35	5080 21 1.38	4938 20 1.41	4787 19.7 1.44	4636 19.5 1.46	4308 18.5 1.50	228	46939	2	1,391.00		
5BDD 24GB-A	1-1/2	120/208-230	832	7121 19.8 1.35	6659 19.6 1.43	6429 19.0 1.46	6148 18.8 1.49	5868 18.7 1.51	5554 18.4 1.52	4823 17.8 1.51	248	46949	2	1,669.00		
5BDD 24HX-A (*)	2	208-230/460	916	7839 22 1.80	7421 22 1.89	7209 22 1.93	6984 22 1.97	6730 21 2.00	6476 21 2.02	5889	255	46951	2	1,776.00		

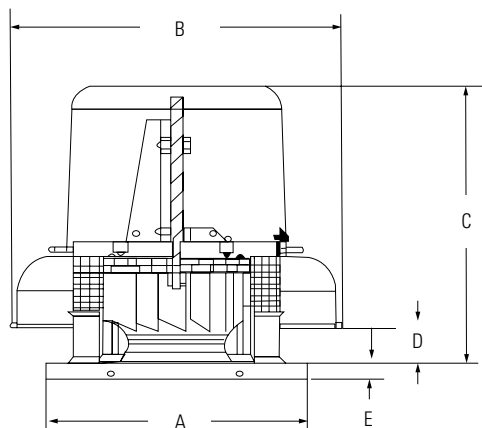
Performance certified for installation type A: free inlet, free outlet. Performance rating includes the effect of bird screen.

Power rating (BHP) does not include transmission losses.

† The sound ratings shown are loudness values in fan sones at 5 ft. (1.5m) in a hemispherical free field calculated per AMCA standard 301. Values shown are for installation type A, free inlet hemispherical sone levels.

(*) - 3 phase motor

Dimensions



Model	A	B	C	D	E
5BDD 10	19	25 ³ / ₄	22 ⁷ / ₈	3	1 ¹ / ₂
5BDD 12	22	28	23 ³ / ₈	3	1 ¹ / ₂
5BDD 13	22	29 ³ / ₄	24 ⁵ / ₈	3 ¹ / ₄	1 ¹ / ₂
5BDD 15	26	31 ¹¹ / ₁₆	27 ³ / ₈	3 ³ / ₄	1 ¹ / ₂
5BDD 16	26	33 ¹¹ / ₁₆	27 ³ / ₄	4 ³ / ₁₆	1 ¹ / ₂
5BDD 18	30	36	29 ⁵ / ₈	4 ³ / ₄	1 ¹ / ₂
5BDD 20	30	38 ¹ / ₄	30 ¹ / ₄	5 ¹ / ₄	1 ¹ / ₂
5BDD 24	34	44 ¹ / ₄	33	6 ¹¹ / ₁₆	1 ¹ / ₂
5BDD 30	42	51 ⁷ / ₁₆	37 ¹ / ₂	8 ¹³ / ₃₂	1 ¹ / ₂
5BDD 36	46	60	41 ⁵ / ₈	10 ¹ / ₂	1 ¹ / ₂

Dimensional information is in inches.

Downblast fans with a “-A” designation indicate fans available as fully assembled. For models with a complete range motor and shell configurations, refer to page 236. These fans are shipped unassembled as Shell, Motor, and Drive Pack separately. Shell comes complete with blower wheel, shaft assembly and motor mount installed. Installation of the motor utilizing drive pack components ranges from 5-10 minutes depending on the skill range of the installer.

Accessories



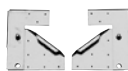
5ACC.. FS
Flat Roof Curb
page 249



5ACC.. FT
Flat Roof Curb
page 249



5ACC.. RD
Wall Damper
page 251



5ACC.. HK
Hinge Kit Adapter
page 250



5ACC.. MS
Motor disconnect
page 242

5BDD Series

Belt Drive Downblast Roof Ventilators



Fantech, Inc. certifies that the Belt-Drive Downblast Centrifugal Roof Ventilators shown herein are licensed to bear the AMCA Seal. The ratings shown are based on tests and procedures performed in accordance with AMCA Publication 211 and AMCA Publication 311 and comply with the requirements of the AMCA Certified Ratings Program.

To complete our range of Upblast Roof fans, and allow for maximum quick turn availability, Fantech offers the complete range as 3 easily assembled components. The fans come with a Shell featuring a fully welded windband, heavy duty motor supports and machine balanced and mounted blower wheel. Factory pressed bearings complete the shaft and motor mount assembly.

Choosing the right motor is as easy as finding your desired airflow and matching that performance with the corresponding motor size and drive pack. Not all available motor combinations are shown in the specification data table below. Please refer to our online PRV selection tool for a complete listing of Fan combinations and performance data at fanselect.fantech.net

Specification data

Model	Rated power	Voltage	RPM	0.0" P _s	0.125" P _s	0.25" P _s	0.375" P _s	0.50" P _s	0.625" P _s	0.75" P _s	0.875" P _s	1.00" P _s	1.25" P _s
	HP	V	min ⁻¹	cfm									
	Sones [†] BHP [*]												
5BDD 12	1/4	120/230	1423	1464	1392	1321	1242	1158	1058	950	813	-	-
				12.5 0.22	12.3 0.23	11.7 0.24	11.4 0.24	10.9 0.25	10.3 0.25	10.0 0.25	9.2 0.25	-	-
5BDD 13	1/4	120/230	1213	1672	1586	1500	1393	1279	1154	1009	-	-	-
				14.0 0.21	13.4 0.22	12.3 0.23	11.1 0.23	10.0 0.24	9.3 0.24	9.3 0.24	-	-	-
	1/3	120/230	1335	1840	1762	1684	1595	1498	1390	1277	1145	638	-
				15.7 0.28	15.2 0.29	14.6 0.30	13.8 0.31	12.5 0.31	11.3 0.32	10.8 0.32	10.7 0.32	9.9 0.24	-
5BDD 15	1/4	120/230	1033	2054	1937	1816	1668	1503	1306	518	-	-	-
				11.8 0.22	11.5 0.23	11.2 0.24	10.9 0.25	10.7 0.25	9.9 0.25	8.6 0.15	-	-	-
	1/3	120/230	1136	2259	2153	2047	1919	1782	1628	1446	1183	-	-
				13.1 0.29	12.9 0.30	12.5 0.32	12.3 0.33	12.1 0.33	11.4 0.33	11.1 0.33	10.5 0.32	-	-
1/2	120/230 208-230/460	1301	2587	2494	2402	2308	2190	2072	1939	1804	1633	-	
			15.4 0.44	15.4 0.45	15.2 0.47	15.0 0.48	14.0 0.49	14.2 0.50	14.0 0.50	13.2 0.50	13.0 0.49	-	
5BDD 16	1/3	120 / 230	962	2468	2338	2201	2044	1865	1648	1351	-	-	-
				11.8 0.28	11.3 0.29	10.8 0.31	9.9 0.32	9.5 0.32	8.9 0.32	8.5 0.31	-	-	-
	1/2	120/230 208-230/460	1100	2825	2711	2597	2467	2330	2177	1999	1790	1491	-
				14.1 0.42	13.6 0.43	13.4 0.45	12.8 0.46	12.2 0.47	11.7 0.48	11.2 0.48	11.0 0.48	10.2 0.46	-
	3/4	120/230 208-230/460	1261	3235	3136	3036	2936	2817	2698	2579	2425	2269	1877
				17.9 0.63	16.9 0.65	16.8 0.67	16.3 0.68	16.3 0.70	15.4 0.71	15.2 0.72	14.5 0.72	14.5 0.72	13.2 0.70
5BDD 18	1/3	120 / 230	811	2999	2821	2631	2418	2168	1821	-	-	-	-
				10.3 0.29	9.4 0.30	9.2 0.32	8.7 0.33	8.4 0.33	8.4 0.33	-	-	-	-
	1/2	120/230 208-230/460	928	3432	3276	3120	2939	2754	2533	2264	-	-	-
				13.4 0.43	11.3 0.45	11.0 0.47	10.8 0.48	10.4 0.49	9.9 0.50	9.5 0.50	-	-	-
3/4	120/208-230 208-230/460	1062	3928	3791	3655	3514	3352	3190	3004	2811	2549	-	
			14.7 0.64	13.9 0.67	13.7 0.69	13.4 0.71	13.3 0.73	12.7 0.74	12.6 0.75	12.0 0.75	11.3 0.74	-	
5BDD 20	1/3	120 / 230	699	3335	3101	2858	2588	2241	-	-	-	-	-
				12.5 0.28	10.0 0.31	9.3 0.32	8.8 0.33	8.3 0.33	-	-	-	-	-
	1/2	120/208-230 208-230/460	800	3817	3612	3406	3188	2942	2653	2220	-	-	-
				14.7 0.42	11.3 0.45	11.2 0.47	10.6 0.49	10.0 0.50	9.8 0.50	9.4 0.48	-	-	-
	3/4	120/208-230 208-230/460	916	4371	4192	4013	3828	3638	3429	3181	2895	2335	-
				15.6 0.64	14.8 0.67	14.2 0.69	13.5 0.72	12.9 0.75	12.6 0.75	12.0 0.75	11.9 0.75	11.7 0.69	-
	1	120/208-230 208-230/460	1008	4810	4647	4484	4322	4149	3976	3786	3560	3325	1186
				18.7 0.85	17.7 0.88	17.1 0.91	16.4 0.94	16.0 0.96	15.4 0.98	14.6 1.00	14.5 1.00	14.4 1.00	13.3 0.57

Performance certified for installation type A: free inlet, free outlet. Performance rating includes the effect of bird screen. * Power rating (BHP) does not include transmission losses.
[†] The sound ratings shown are loudness values in fan sones at 5 ft. (1.5m) in a hemispherical free field calculated per AMCA standard 301. Values shown are for installation type A, free inlet hemispherical sone levels.

5BDD Series

Roof Mount Belt Drive Downblast Fans



Fantech, Inc. certifies that the Belt-Drive Downblast Centrifugal Roof Ventilators shown herein are licensed to bear the AMCA Seal. The ratings shown are based on tests and procedures performed in accordance with AMCA Publication 211 and AMCA Publication 311 and comply with the requirements of the AMCA Certified Ratings Program.

Specification data (cont.)

Model	Rated power	Voltage	RPM	0.0" P _s	0.125" P _s	0.25" P _s	0.375" P _s	0.50" P _s	0.625" P _s	0.75" P _s	1.00" P _s	1.25" P _s	1.50" P _s
	HP	V	min ⁻¹	cfm									
	Sones [†] BHP [#]												
5BDD 24	1/3	120 / 230	504	4313	3931	3478	2877	-	-	-	-	-	-
				9.6 0.30	9.5 0.32	9.0 0.34	8.5 0.34	-	-	-	-	-	-
	1/2	120/230 208-230/460	577	4938	4605	4233	3795	3253	-	-	-	-	-
				11.8 0.45	11.7 0.48	11.7 0.50	11.0 0.51	10.2 0.50	-	-	-	-	-
5BDD 30	3/4	120/208-230 208-230/460	660	5649	5358	5059	4707	4309	3844	2837	-	-	-
				15.1 0.67	15.1 0.71	14.9 0.73	14.9 0.75	14.2 0.76	13.3 0.76	12.3 0.68	-	-	-
5BDD 30	1	120/208-230 208-230/460	727	6222	5959	5692	5389	5069	4689	4266	-	-	-
				18.0 0.90	18.0 0.97	18.0 0.97	17.9 1.00	17.4 1.01	17.0 1.02	16.0 1.01	-	-	-
5BDD 30	1/2	120/208-230 208-230/460	412	6470	5866	5234	4371	-	-	-	-	-	-
				10.7 0.44	10.8 0.47	10.5 0.50	10.0 0.50	-	-	-	-	-	-
	3/4	120/208-230 208-230/460	471	7396	6869	6326	5732	4906	-	-	-	-	-
				12.5 0.66	12.1 0.70	11.8 0.73	11.5 0.75	11.0 0.74	-	-	-	-	-
	1	120/208-230 208-230/460	519	8150	7672	7188	6681	6084	5257	-	-	-	-
				13.5 0.89	13.5 0.92	13.0 0.96	12.7 1.00	12.3 1.01	11.6 0.98	-	-	-	-
	1-1/2	120/208-230 208-230/460	594	9227	8910	8490	8058	7619	7099	6515	-	-	-
				16.1 1.33	15.8 1.37	15.6 1.41	15.0 1.46	14.8 1.49	12.9 1.51	13.9 1.50	-	-	-
	2	208-230/460	653	10254	9875	9493	9111	8708	8305	7826	6545	-	-
				17.8 1.76	17.8 1.81	17.5 1.86	16.9 1.91	16.7 1.96	16.3 1.99	15.3 2.00	15.1 1.95	-	-
	3	208-230/460	748	11746	11416	11082	10749	10414	10062	9711	8907	7855	-
				21 2.65	21 2.71	21 2.76	20 2.82	19.9 2.87	19.7 2.92	19.2 2.97	18.1 3.01	17.8 2.96	-
5	208-230/460	887	13928	13651	13370	13089	12808	12526	12238	11546	11037	10278	
			30 4.42	29 4.49	30 4.55	30 4.62	29 4.68	28 4.74	28 4.81	27 4.87	25 5.01	24 5.02	
5BDD 36	3/4	120/208-230 208-230/460	339	10032	9207	8221	6803	-	-	-	-	-	-
				11.9 0.74	10.3 0.78	9.4 0.81	8.5 0.79	-	-	-	-	-	-
	1	120/208-230 208-230/460	373	11038	10288	9435	8397	6687	-	-	-	-	-
				13.6 0.98	12.0 1.03	11.0 1.07	10.3 1.07	10.0 1.00	-	-	-	-	-
	1-1/2	120/208-230 208-230/460	427	12636	11981	11302	10495	9541	8114	-	-	-	-
				16.7 1.48	14.9 1.53	14.1 1.58	13.7 1.61	12.9 1.61	12.8 1.55	-	-	-	-
	2	208-230/460	470	13908	13313	12718	12017	11284	10357	9030	-	-	-
				19.5 1.97	18.2 2.03	17.8 2.09	16.8 2.13	16.1 2.15	15.0 2.14	14.9 2.07	-	-	-
	3	208-230/460	538	15921	15401	14881	14352	13712	13071	12310	11486	-	-
				24.0 2.96	23.0 3.03	23 3.10	22.0 3.15	21 3.20	20 3.22	19.2 3.22	18.0 3.19	-	-
	5	208-230/460	637	18850	18411	17972	17533	17094	16563	16023	14861	-	-
				28.0 4.90	28.0 4.99	29.0 5.08	28.0 5.15	27.0 5.22	27.0 5.28	25 5.32	23.0 5.35	-	-

Performance certified for installation type A: free inlet, free outlet. Performance rating includes the effect of bird screen. * Power rating (BHP) does not include transmission losses.
[†] The sound ratings shown are loudness values in fan sones at 5 ft. (1.5m) in a hemispherical free field calculated per AMCA standard 301. Values shown are for installation type A, free inlet hemispherical sone levels.

5BDD Series

Downblast Roof Ventilator Components

Model	Shell			HP	1 Phase for Fans Less Motor and Drive						3 Phase for Fans Less Motor and Drive					
	Item #	List Price	Shipping Weight		Drive Pack			Motor			Drive Pack			Motor		
		USD	lbs		Item #	DP ID	List Price	Item #	Motor ID	List Price	Item #	DP ID	List Price	Item #	Motor ID	List Price
							USD			USD			USD			USD
5BDD10	49810	492.00	90	1/4	48992	DP-10*-BB	53.00	49907	MOT BB	105.00						
5BDD12	49811	535.00	100	1/4	48993	DP-12*-BB	58.00	49907	MOT BB	105.00						
				1/3	48994	DP-12*-CB	58.00	49909	MOT CB	142.00						
5BDD13	49812	599.00	110	1/4	48995	DP-13*-BB	60.00	49907	MOT BB	105.00						
				1/3	48996	DP-13*-CB	60.00	49909	MOT CB	142.00						
				1/2	48997	DP-13*-DB	60.00	49910	MOT DB	144.00	49000	DP-13*-DX	60.00	49911	MOT DX	172.00
5BDD15	49813	642.00	120	1/4	49001	DP-15*-BB	66.00	49907	MOT BB	105.00						
				1/3	49002	DP-15*-CB	66.00	49909	MOT CB	142.00						
				1/2	49003	DP-15*-DB	66.00	49910	MOT DB	144.00	49004	DP-15*-DX	66.00	49911	MOT DX	172.00
				3/4	49005	DP-15*-EB/EX	66.00	49912	MOT EB	247.00	49005	DP-15*-EB/EX	66.00	49913	MOT EX	210.00
				1	49007	DP-15*-FB/FX	66.00	49914	MOT FB	221.00	49007	DP-15*-FB/FX	66.00	49915	MOT FX	221.00
5BDD16	49814	696.00	130	1/3	49010	DP-16*-CB	68.00	49909	MOT CB	142.00						
				1/2	49011	DP-16*-DB	68.00	49910	MOT DB	144.00	49012	DP-16*-DX	68.00	49911	MOT DX	172.00
				3/4	49013	DP-16*-EB/EX	68.00	49912	MOT EB	247.00	49013	DP-16*-EB/EX	68.00	49913	MOT EX	210.00
				1	49015	DP-16*-FB/FX	68.00	49914	MOT FB	221.00	49015	DP-16*-FB/FX	68.00	49915	MOT FX	221.00
5BDD18	49815	856.00	164	1/3	49017	DP-18*-CB	74.00	49909	MOT CB	142.00						
				1/2	49018	DP-18*-DB	74.00	49910	MOT DB	144.00	49019	DP-18*-DX	74.00	49911	MOT DX	172.00
				3/4	49020	DP-18*-EB/EX	74.00	49912	MOT EB	247.00	49020	DP-18*-EB/EX	74.00	49913	MOT EX	210.00
				1	49022	DP-18*-FB/FX	74.00	49914	MOT FB	221.00	49022	DP-18*-FB/FX	74.00	49915	MOT FX	221.00
				1-1/2	49024	DP-18*-GB	74.00	49916	MOT GB	299.00	49024	DP-18*-GB	74.00	49917	MOT GX	285.00
				2							49026	DP-18*-HX	74.00	49918	MOT HX	562.00
5BDD20	49816	910.00	185	1/3	49027	DP-20*-CB	79.00	49909	MOT CB	142.00						
				1/2	49028	DP-20*-DB	79.00	49910	MOT DB	144.00	49029	DP-20*-DX	79.00	49911	MOT DX	172.00
				3/4	49031	DP-20*-EB/EX	79.00	49912	MOT EB	247.00	49031	DP-20*-EB/EX	79.00	49913	MOT EX	210.00
				1	49032	DP-20*-FB/FX	79.00	49914	MOT FB	221.00	49032	DP-20*-FB/FX	79.00	49915	MOT FX	221.00
				1-1/2	49036	DP-20*-GB/GX	79.00	49916	MOT GB	299.00	49036	DP-20*-GB/GX	79.00	49917	MOT GX	285.00
				2							49038	DP-20*-HX	79.00	49918	MOT HX	562.00
5BDD24	49817	1,017.00	212	1/3	49039	DP-24*-CB	89.00	49909	MOT CB	142.00						
				1/2	49040	DP-24*-DB	89.00	49910	MOT DB	144.00	49041	DP-24*-DX	89.00	49911	MOT DX	172.00
				3/4	49042	DP-24*-EB/EX	89.00	49912	MOT EB	247.00	49042	DP-24*-EB/EX	89.00	49913	MOT EX	210.00
				1	49044	DP-24*-FB/FX	89.00	49914	MOT FB	221.00	49044	DP-24*-FB/FX	89.00	49915	MOT FX	221.00
				1-1/2	49046	DP-24*-GB/GX	89.00	49916	MOT GB	299.00	49046	DP-24*-GB/GX	89.00	49917	MOT GX	285.00
				2							49051	DP-24*-HX	89.00	49918	MOT HX	562.00
5BDD30	49818	2,622.00	310	1/2	49466	DP-30*-DB	105.00	49910	MOT DB	144.00	49052	DP-30*-DX	105.00	49911	MOT DX	172.00
				3/4	49053	DP-30*-EB/EX	105.00	49912	MOT EB	247.00	49053	DP-30*-EB/EX	105.00	49913	MOT EX	210.00
				1	49055	DP-30*-FB/FX	105.00	49914	MOT FB	221.00	49055	DP-30*-FB/FX	105.00	49915	MOT FX	221.00
				1-1/2	49057	DP-30*-GB/GX	105.00	49916	MOT GB	299.00	49057	DP-30*-GB/GX	105.00	49917	MOT GX	285.00
				2							49060	DP-30*-HX	105.00	49918	MOT HX	562.00
				3							49061	DP-30*-JX	105.00	49919	MOT JX	664.00
				5							49062	DP-30*-KX	105.00	49920	MOT KX	568.00
5BDD36	49562	4,013.00	380	3/4	49063	DP-36*-EB/EX	121.00	49912	MOT EB	247.00	49063	DP-36*-EB/EX	121.00	49913	MOT EX	210.00
				1	49065	DP-36*-FB/FX	121.00	49914	MOT FB	221.00	49065	DP-36*-FB/FX	121.00	49915	MOT FX	221.00
				1-1/2	49067	DP-36*-GB/GX	121.00	49916	MOT GB	299.00	49067	DP-36*-GB/GX	121.00	49917	MOT GX	285.00
				2							49069	DP-36*-HX	121.00	49918	MOT HX	562.00
				3							49070	DP-36*-JX	121.00	49919	MOT JX	664.00
				5							49072	DP-36*-KX	121.00	49920	MOT KX	568.00

*All items listed on this page are Class 1.

5ADE Series

Direct Drive Axial Exhaust Roof Fan



Fantech, Inc. certifies that the Direct-Drive Downblast Centrifugal Roof Ventilators shown herein are licensed to bear the AMCA Seal. The ratings shown are based on tests and procedures performed in accordance with AMCA Publication 211 and AMCA Publication 311 and comply with the requirements of the AMCA Certified Ratings Program.

Direct-drive axial roof ventilators are designed for use in applications requiring the steady exhaust of air under low to moderate static pressures. All models are manufactured from durable spun aluminum; venturi, inlet and supports are galvanized. Blades are made from stamped aluminum. Ventilators are wall mountable.

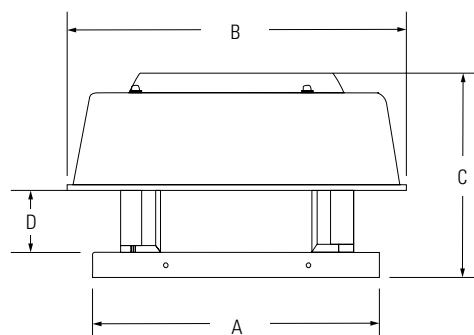
- All ventilators are UL 705 Standard listed
- Inlet temperatures up to 140°F
- Junction box mounted in motor compartment
- Built-in bird screen to protect discharge and ensure safe operation
- Externally cooled motor compartment
- Speed controllable



Dimensions

Model	A	B	C	D
5ADE 102A	19	23 5/8	13 3/8	5 1/2
5ADE 12BA	22	28	15 1/2	6 1/2
5ADE 16EA	26	33 1/4	16 1/2	6 1/8

Dimensional information is in inches.



Accessories



5ACC.. FS
Flat Roof Curb
page 249



5ACC.. FT
Flat Roof Curb
page 249



5ACC.. RD
Wall Damper
page 251



5ACC.. SC
Speed Control
page 242



5ACC.. MS
Motor Disconnect
page 242

Specification data

Model	Rated power	Voltage / phase	RPM	0.0" P _s	0.125" P _s	0.25" P _s	0.375" P _s	0.50" P _s	0.625" P _s	0.75" P _s	1.00" P _s	Shipping weight lbs	Item #	Class 1 or 2	List price USD
	HP	V / ~	min ⁻¹	cfm											
	Sones ¹ Max BHP														
5ADE 102A	1/30	120 / 1	1759	547	423	269	191	-	-	-	-	94	47242	2	370.00
				8.9 -	9.1 -	9.3 -	10.0 -	-	-	-	-				
5ADE 12BA	1/4	120 / 1	1764	1423	1219	993	891	644	441	225	-	103	47244	2	490.00
				10.0 0.18	10.5 0.18	10.8 0.18	13.0 0.18	15.3 0.18	-	-	-				
5ADE 16EA	3/4	120 / 1	1730	2767	2571	2367	2159	1958	1625	1377	936	130	47246	2	717.00
				17.9 0.49	17.2 0.49	16.5 0.49	18.0 0.49	19.3 0.49	21 0.49	22 0.49	26 0.49				

Performance certified is for installation type A: Free Inlet, Free Outlet. Performance ratings include the effects of bird screens. Speed (RPM) shown is nominal, and performance shown is based on actual speed of test.
¹ The sound ratings are loudness values in fan sones at 5 ft. (1.5m) in a hemispherical free field calculated per AMCA standard 301. Values shown are for Installation Type A, Free Inlet hemispherical sone levels.

**Everything else..
to help you
finish the job.**



Accessories*

PBF 4 / PBF 4-ES NEW

Ceiling Grille and Housing with Fluorescent Light

Includes damper, four hanger bars and 15W (PBF 4-ES) or 14W (PBF 4) instant-on fluorescent bulb. Fits between 2x6 construction.



Specification Data

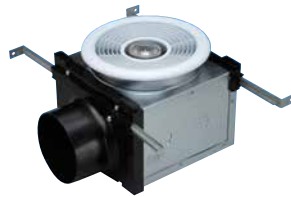
Model	Duct Size, inch	Power, W	Weight, lbs	Item #	List Price, USD
PBF 4-ES	4	15j	2.4	47582	140.00
PBF 4	4	14	4	412263	140.00

NEW

PBH 4

Ceiling Grille and Housing with Dimmable Halogen Light

Includes damper, four hanger bars and 50-watt halogen bulb. Fits between 2x6 construction.



Specification Data

Model	Duct Size, inch	Power, W	Weight, lbs	Item #	List Price, USD
PBH 4	4	50	4	412262	120.00

PBV 4 / PBV 6

Ceiling Grille and Housing

Includes damper and four hanger bars. Fits between 2x6 (PBV 4) or 2x8 (PBV 6) construction.



Specification Data

Model	Duct Size, inch	Power, W	Weight, lbs	Item #	List Price, USD
PBV 4	4	-	4	412260	55.00
PBV 6	6	-	4	412261	71.00

PBL 4 NEW

Ceiling Grille and Housing with dimmable LED light

Includes damper, four hanger bars, and 7-watt dimmable LED bulb. Fits between 2x6 construction.



Specification Data

Model	Duct Size, inch	Power, W	Weight, lbs	Item #	List Price, USD
PBL 4	4	7	4	44920	155.00

NEW

PBB

Replacement Bulbs

PBB 14 is a 14W compact fluorescent bulb for use in PBF 4.



PBB 50 is 50W halogen bulb for use in PBH 4.



PBB 15-ES is 15W halogen bulb for use in PBF 4-ES.



PBB 7 is a 7W LED compact fluorescent bulb for use in PBL 4.



Specification Data

Model	Voltage, V	Power, W	Life time, hours	Lumens, Lm	Weight, lbs	Item #	List Price, USD
PBB 7	120	7	25,000	430	1	44916	40.00
PBB 50	120	50	25,000	n/a	1	45156	12.00
PBB 15-ES	120	15	10,000	690	1	47566	15.00
PBB 14	120	14	10,000	650	1	45155	15.00

NEW

NEW

FQ FD

Radiation Damper

Fire/Radiation Damper is UL classified for T-bar, hanger rod/ wire ceiling installation and classified according to UL 555C for use in 3-hour fire rated floor/ceiling or roof/ceiling assemblies. For use with Fantec. FQ Series non-lighted exhaust fans.



Specification Data

Model	Fire rating, hr	Mounting	Weight, lbs	Item #	List Price, USD
FQ FD	3	T-bar	2	46975	76.00

MGS

Metal Supply Grille

This grille has a shielding device for producing a directional distribution pattern and has an adjustable gap grilles. The grille is manufactured from sheet steel with a white powder-coated finish.



- Easy installation either into the mounting frame or directly onto the duct
- Can be used for exhaust air

Specification Data

Model	Duct Size, inch	Weight, lbs	Item #	List Price, USD
MGS 4	4	1	411368	27.00
MGS 5	5	2	411369	28.00
MGS 6	6	2	411242	35.00
MGS 8	8	3	411243	44.00

*All items listed on this and next pages are Class 1 unless otherwise stated.

MGE

Metal Exhaust Grille

An exhaust diffuser for installation on ceiling or wall. It can also be used for supply air. The diffuser has a lockable central cone which is rotated to adjust the pressure and consequently the air volume.



Manufactured from sheet steel with a white powder-coated finish.

- Can be installed directly onto the duct
- The pressure is adjusted by rotating the valve cone
- Can be used for supply air

Specification Data

Model	Duct Size, inch	Weight, lbs	Item #	List Price, USD
MGE 4	4	1	411106	19.00
MGE 5	5	2	411370	22.00
MGE 6	6	2	411371	26.00
MGE 8	8	3	411244	40.00

DG / DGD

Designer Exhaust Grille

A low profile, fixed circular plastic exhaust grille. Included with the grille is a matching diameter galvanized mounting collar with nailing strip.



Models DG with collar, models DGD with collar and back draft damper.

Specification Data

Model	Duct Size, inch	Weight, lbs	Item #	List Price, USD
DG 4	4	1	411363	13.00
DG 6	6	2	411364	15.00
DGD 4	4	2	411365	32.00
DGD 6	6	3	411118	40.00

CG

Contour Grille

Grilles are manufactured of flame retardant, polypropylene that resist yellowing. White matte finish can be painted to match walls or ceiling.



- Galvanized metal collars
- For supply and exhaust air

Specification Data

Model	Duct Size, inch	Weight, lbs	Item #	List Price, USD
CG 4	4	1	40306	19.00
CG 5	5	1	40308	21.00
CG 6	6	2	40309	23.00

All items listed on this and next pages are Class 1 unless otherwise stated.

HS

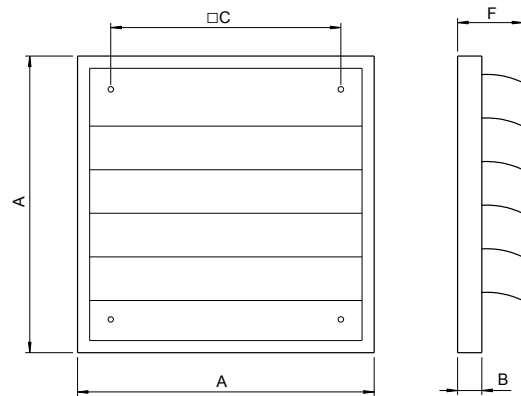
Louvered Shutter

Plastic louvered shutter with duct connection.



- For exhaust air only
- Used with premium bathroom fans or dryer boost exhaust

Dimensions



Model	A	B	C	F	Weight, lbs	Item #	List Price, USD
HS 4W	6	1 1/4	5 1/2	3 1/4	1	411072	13.00
HS 6W	9 1/11	1 1/4	8 9/16	3 1/4	1	411052	18.00

Dimensions are in inches

FML

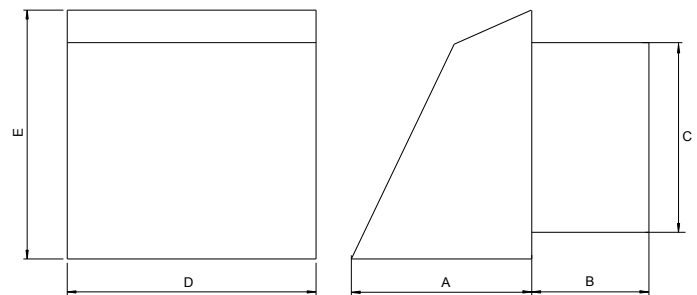
Metal Hoods

A single pre-painted aluminum hood for supply and exhaust applications.



- A white powder-coated finish
- Equipped with a bug screen

Dimensions



Model	A	B	C	D	Duct	Weight, lbs	Item #	List Price, USD
FML 8	5	3 1/2	9	9	8	8	411082	47.00
FML 10	6 1/2	3 1/2	11	11	10	9	411083	63.00
FML 12	7	3 1/2	13	13	12	10	411084	95.00

Dimensions are in inches

FD 60EM

Bathroom Timer

Electronic push button timer. Select from 10, 20, 30 and 60 minute timed operation of fan. Fits standard single gang box. Ideal for multiple switching locations. Switch plate not included.



Specification Data

Model	Voltage, V	Max Current, A	Weight, lbs	Item #	List Price, USD
FD 60EM	120	20	1	411386	65.00

FLD 60

Bathroom Light/Fan Switch

Designed as a replacement for the bathroom fan and light switch. By using a microprocessor to monitor and control fan operation, a precise amount of ventilation can be provided. Allows continuous operation of the fan for up to 1 hour after light switch is turned off.



Specification Data

Model	Voltage, V	Max Current, A	Weight, lbs	Item #	List Price, USD
FLD 60	120	20	1	411388	108.00

VT 20

Programmable Fan Control

The ultimate programmable 20 minute boost timer. Features easy-set slide adjustment for fan speed and run-time per hour. Controls are hidden under cover plate. Use with up to three VT20A (Auxiliary Controls) to allow 20 minute high speed boost in up to four locations.



Specification Data

Model	Voltage, V	Current, A	Boost, min	Weight, lbs	Item #	List Price, USD
VT 20M	120	2.5	20	1	45386	62.00
VT 20A	120	2.5	20	1	45385	20.00

SCD

Multipurpose Speed Control

Slide type variable speed controller with on/off switch. White Decora-style switch plate and screws included. Fits standard single gang box.



Specification Data

Model	Voltage, V	Max Current, A	Weight, lbs	Item #	List Price, USD
SCD 5	120	5	1	411381	78.00
SCD 7	120	7.5	1	411382	142.00

All items listed on this and next pages are Class 1 unless otherwise stated.

5ACC..SC

Speed Control

Variable speed controller permits adjustment of air movement from 100% to approximately 50%. Can be used to operate more than one fan, if the combined total amps do not exceed the control rating. This speed control unit is suitable and intended only for use with 5DD, 5DDU, 5ADE and 2VLD ventilator models.



Specification Data

Model	Current, A	Weight, lbs	Item #	List Price, USD
5ACC03SC	3	0.3	47185	24.00
5ACC06SC	6	0.3	47189	37.00

RPE

Multipurpose Speed Control

Heavy duty rotary type variable speed controller with on/off switch. Brushed aluminum switch plate and screws included.



Specification Data

Model	Voltage, V	Max Current, A	Weight, lbs	Item #	List Price, USD
RPE 10	120	10	1	411101	62.00
RPE 15	120	15	1	411384	84.00
RPE 210	230	10	1	411385	68.00

WC 15

Speed Control ON/OFF

Rotary type variable speed controller with on/off switch. Brushed aluminum switch plate and screws included. Fits standard single gang box.



Specification Data

Model	Voltage, V	Max Current, A	Weight, lbs	Item #	List Price, USD
WC 15	120	5	1	411102	24.00

5ACC..MS

Motor Disconnect Switch (NEMA)

Provides manual "On-Off" control of single or three phase AC motors where overload protection is not required or is provided separately.



Specification Data

Model	Voltage, V	Current, A	Poles	Max HP	Weight, lbs	Item #	List Price, USD
5ACC01MS	120/230/460	30	2	3	1	47182	133.00
5ACC02MS	208/230/460	30	3	10	1	47183	280.00

MTP 10

Potentiometer for speed control

MTP 10 complements FG-EC Series.

Specification Data

Model	Voltage	IP Class	Weight, lbs	Item #	List Price, USD
MTP 10	0-10 V	IP 54	0.5	32731	63.00



FH 20

Dehumidistat

Wall mounted dehumidistat. Adjustable between 20% and 80% relative humidity. A white powder-coated finish.

Specification Data

Model	Voltage, V	Max Current, A	Weight, lbs	Item #	List Price, USD
FH 20	120	7.5	1	410727	37.00



ECO-Touch™

Programmable Wall Control

Technologically advanced and feature-rich, the ECO-touch provides contractors and homeowners with a higher level of control over indoor air quality. The MAX mode gives you the extra ventilating power you need to quickly clear the air by taking advantage of the system's powerful fans.

- Preferences for desired indoor relative humidity
- LCD backlit touch screen Ventilation movement is displayed on screen
- No battery to replace



Specification Data

Model	Weight, lbs	Item #	List Price, USD
ECO-Touch	1	44007	137.00

EDF

Triple Function Wall Control Timer

An electronic wall control timer is compatible with all Fantech HRV/ERV models (except SH/VH 704). This control activates the system on 3 possible modes of operation: continuous low speed operation (Green), Intermittent 20 minutes on, 40 minutes off (Yellow) and continuous high speed or boost (Red).

Specification Data

Model	Recirculation Cycle	Weight, lbs	Item #	List Price, USD
EDF 1R	Yes	1	40393	49.00
EDF 1	No	1	40375	49.00



RTS

Pushbutton Timer

The pushbutton timer is compatible with Fantech SHR, VHR and SER series models. The button activates the system to run in continuous mode for a period of time, it then returns to the predetermined setting. To cancel this operation, simply press the button a second time.



Specification Data

Model	Boost Time, min	Weight, lbs	Item #	List Price, USD
RTS 2	20	1	40164	22.00
RTS 3*	20-40-60	1	40376	42.00
RTS 5 *	20-40-60	1	44794	42.00

* Look at the available accessories for the HRV or ERV you've selected to determine if the RTS3 or RTS5 should be used

NEW

FTD 7

7 Day Digital Timer

An electronic 7 day timer with an automatic summer/winter time settings. Two outlets, 8 on/off programs.



Specification Data

Model	Voltage, V	Current, A	Weight, lbs	Item #	List Price, USD
FTD 7	120	15	1	49792	44.00

FAT 10

Attic Thermostat

Thermostat for use with attic ventilation systems. Adjustable between 80° and 130° F.



Specification Data

Model	Voltage, V	Current, A	Weight, lbs	Item #	List Price, USD
FAT 10	120	22	1	411233	61.00

DPC 200 NEW

Low Pressure Sensor

This low pressure sensor with analog input and PI controlling mode is used with DDU EC and FG EC models for constant pressure applications. The sensor reads the static pressure and regulates the fans RPMs to match a preset desired static pressure.



- Measuring range 0..2" P_s
- LCD Display
- Analog output 0..10V

Specification Data

Model	Measuring range	Output, V	Weight, lbs	Item #	List Price, USD
DPC 200	0..2" P _s	0..10	1	484048	625.00

NEW

All items listed on this and next pages are Class 1 unless otherwise stated.

EDF 7 NEW

Electronic Multifunction Dehumidistat

An electronic multifunction dehumidistat that is compatible with all Fantech's HRV/ERV (except SH/VH 704). This control has 3 possible modes of operations: Ventilation mode, Recirculation mode and Standby.

In AUTO Mode, the EDF7 will activate normal speed ventilation when the indoor relative humidity is above the desired set point. During summer, the AUTO Mode can be deactivated to lower energy consumption.

- Desired relative humidity set point
- User selected speed: Low, Medium, Normal and 20 min/hr
- Summer mode allows user to deactivate dehumidistat
- LCD Backlit screen
- Indoor relative humidity is displayed
- No battery to replace

Specification Data

Model	Voltage, V	Recirculation Cycle	Dimensions w x h x d, inch	Weight, lbs	Item #	List Price, USD
EDF 7	12	Yes	3 5/8 x 4 7/8 x 7/8	1	44883	81.00

NEW

MDEH

Low Voltage Dehumidistat

2-wire low voltage dehumidistat control with rotary dial.

Just turn the dial to set the humidity level. Multiple units can be used with Fantech HRV's. Install in bathrooms, kitchen or laundry for easy access.

The model MDEH2 is equipped with an ON/OFF switch.



Specification Data

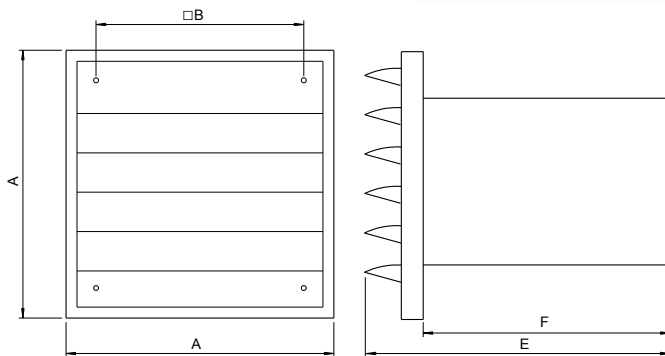
Model	Weight, lbs	Item #	List Price, USD
MDEH 1	1	40172	25.00
MDEH 2	1	40173	53.00

COM

Plastic Supply and Exhaust Hoods

Pair of white plastic hoods (Supply & Exhaust) with metal collars. RAL 9010. Except COM6M, which is all metal construction.

Dimensions



Specification Data

Model	A	B	E*	E**	F	Weight, lbs	Item #	List Price, USD
COM 4P	9 1/8	8 1/2	12 1/4	11 1/8	10 1/2	5	40369	30.00
COM 5P	9 1/8	8 1/2	13 1/2	12 1/2	12	5	40223	42.00
COM 6P	9 1/8	8 1/2	13 1/2	12 1/2	12	5	40222	47.00
COM 6M	-	-	-	-	-	4	40221	82.00

Dimensions are in inches
* Supply duct ** Exhaust duct

All items listed on this page are Class 1 unless otherwise stated.

AS DS

Door Switch

Electronic detection mechanical switch. It also has two contacts to separately monitor the open/closed status of the door and the status of the lock.



Specification Data

Model	Contact	Weight, lbs	Item #	List Price, USD
AS DS	Closed / Open	2	411392	108.00

FEL 4

Elbow, 4"

Heavy-duty plastic 90° mounting collar/elbow for use in 2x4 stud walls. With half-inch drywall lip already set, just nail in place and connect duct. Low depth profile makes this elbow the perfect solution for sidewall ventilation within a wall partition.

- for a 4-inch duct



Specification Data

Model	øD	Weight, lbs	Item #	List Price, USD
FEL 4	4	2	411056	11.00

Dimensions are in inches

ADC NEW**Shut-off Damper w/motor**

Shut-off damper ADC is a turn off damper. The damper is provided with 24V AC motor with spring return actuator. Power connects to a connection block inside the electrical box.

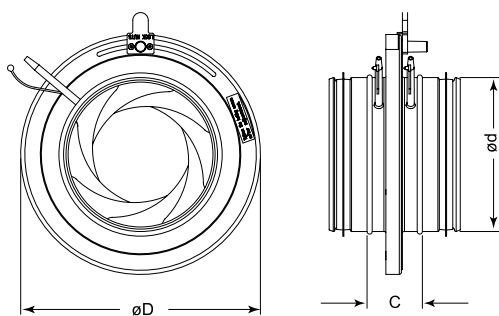
- Power Open Spring Closed (POSC)
- Tight seal provides positive closure

Specification Data

Model	Duct size	End switch	Voltage	NC/NO	Shipping weight	Item #	Class 1 or 2	List price
	inch		V		lbs			USD
ADC 8	8	Yes	24	NC	4	44690	1	113.00
ADC 10	10	Yes	24	NC	5	44691	1	119.00
ADC 12	12	Yes	24	NC	6	44692	1	128.00

**IR****Iris Damper**

The Fantech Iris Damper is the ideal device for measuring and adjusting airflow through a duct. The design of the adjustable aperture ensures low turbulence resulting in minimal self-generated noise. The damper is manufactured from galvanized sheet steel and is fitted with a rubber seal tested for air-tightness. The IR enables the taking of precise air flow measurements at all points including points close to duct deviations such as T junctions and bends, and points in front of other supply-air devices.

Dimensions

Model	ød	øD	C	Weight, lbs	Item #	Class 1 or 2	List Price, USD
IR 4	4	6 $\frac{1}{2}$	2 $\frac{1}{4}$	2	411234	1	64.00
IR 5	5	8 $\frac{1}{4}$	2 $\frac{1}{2}$	3	411235	1	66.00
IR 6	6	9	2	4	411236	1	70.00
IR 8	8	11 $\frac{1}{4}$	2 $\frac{1}{4}$	5	411237	1	81.00
IR 10	10	13	2 $\frac{1}{4}$	7	411238	1	138.00
IR 12	12	16	2 $\frac{3}{8}$	8	411239	1	162.00
IR 16	16	22	3 $\frac{1}{4}$	12	411240	1	368.00

Dimensions are in inches



LD

Silencer for circular ducts

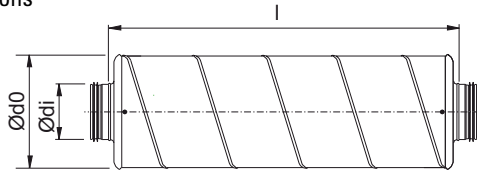
Easily-fitted silencer for circular ducts, fitted with a connection which is compatible with a standard spiral duct. The LD effectively reduces noise in the duct.

Two silencers can be used together in installations where noise reduction is critical. For the most effective noise reduction, the silencer should be fitted immediately behind a fan or bend.

- Insulation thickness 2 inches



Dimensions

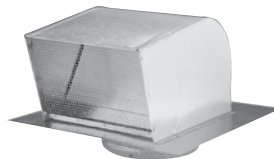


Model	ød1	ød0	l	Weight, lbs	Item #	List Price, USD
LD 4	4	8	23 ⁵ / ₈	13	411282	100.00
LD 5	5	9	23 ⁵ / ₈	16	411283	113.00
LD 6	6	10 ¹ / ₄	23 ⁵ / ₈	17	411284	130.00
LD 8	8	12 ¹ / ₂	23 ⁵ / ₈	20	411125	147.00
LD 10	10	14	35 ¹ / ₂	26	411286	227.00
LD 12	12	17 ³ / ₄	35 ¹ / ₂	35	411287	294.00
LD 16	16	25	35 ¹ / ₂	56	411288	352.00

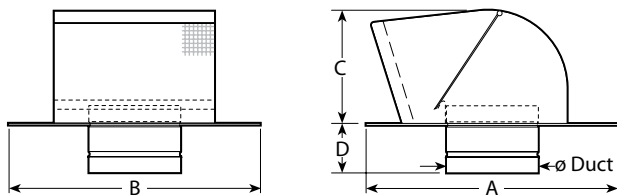
RC

Roof Cap

Roof Cap with damper flap closure, duct connection and screened exhaust opening.



Dimensions



Model	A	B	C	D	Duct	Weight, lbs	Item #	List Price, USD
RC 4	12	12	5 ¹ / ₂	4	4	2	411310	23.00
RC 5	12	12	5 ¹ / ₂	4	4	3	411311	91.00
RC 6	14	14	7	4	6	3	411312	100.00
RC 8	16	16	8	4	8	5	411313	116.00
RC 10	22	20	10	4	10	7	411314	142.00
RC 12	22	22	12	4	12	9	411315	162.00

Dimensions are in inches

All items listed on this and next pages are Class 1 unless otherwise stated.

RSK

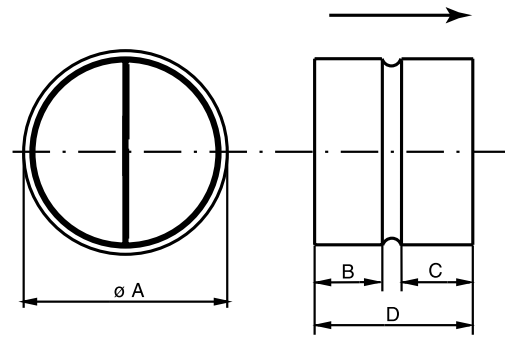
Backdraft Damper

Backdraft damper for circular ducts, manufactured from galvanized sheet steel. The two blades are spring-loaded. Every damper is built with performance in mind.

- Damper can be mounted vertically



Dimensions



Model	øA	D	Weight, lbs	Item #	List Price, USD
RSK 4	4	3 ¹ / ₄	1	411112	16.00
RSK 5	5	3 ¹ / ₈	1	411113	19.00
RSK 6	6	3 ¹ / ₈	1	411114	20.00
RSK 8	8	3 ¹ / ₈	1	411115	28.00
RSK 10	10	3	2	411116	34.00
RSK 12	12	3	2	411117	46.00
RSK 14	14	6 ³ / ₈	4	411198	144.00
RSK 16	16	6 ³ / ₈	5	45125	179.00

Dimensions are in inches

FIDT

Insulated Flex Duct

Flexible round insulated duct. The insulation provides greater thermal efficiency to save energy.

The product is also covered in a heavy duty, silver jacket for durability. The duct is UL listed. Available in 25-foot lengths.



Model	øD	Weight, lbs	Item #	List Price, USD
FIDT 4	4	7	411061	35.00
FIDT 5	5	8	411062	40.00
FIDT 6	6	9	411064	46.00
FIDT 8	8	11	411065	56.00
FIDT 10	10	13	411322	68.00

Dimensions are in inches

FY

Y-Connector

Y" adapter for circular ducts. Constructed of galvanized sheet metal.

Dimensions



Model	Weight, lbs	Item #	List Price, USD
FY 4	2	411249	32.00
FY 5	2	411250	38.00
FY 6	2	411251	42.00
FY 644	2	412472	44.00
FY 664	2	45114	45.00
FY 866	3	411252	51.00
FY 8	3	411253	51.00
FY 810	4	411254	58.00

ACCS

AC Current Sensing Switch

Current sensing switch relay. 120V, 2.5 A.

Specification Data

Model	Max Current, A	Weight, lbs	Item #	List Price, USD
ACCS 40	2.5	1	40361	69.00



DB 10

Pressure Switch

Automatic pressure switch allows for fully automatic operation of dryer booster fan. Fan runs for 10 minutes when positive pressure is sensed in the duct line then shuts off and turns on again as needed.

Specification Data

Model	Voltage, V	Max Current, A	Weight, lbs	Item #	List Price, USD
DB 10	115	2	1	411110	91.00



FPS

Pos/Neg Pressure Switch

Universal pressure switch. Adjustable between .05" to 1.0" water differential pressure. Using either positive or negative pressure sensing for duct line.

Specification Data

Model	Voltage, V	Max Current, A	Weight, lbs	Item #	List Price, USD
FPS 10	115	10	2	411390	61.00



IG

Inlet Guard

Wire ring inlet guard used to prevent foreign objects from entering duct line. Zinc chromate plated steel.



Specification Data

Model	øD	Weight, lbs	Item #	List Price, USD
IG 4	4	1	411301	8.00
IG 5	5	1	411126	8.00
IG 6	6	1	411109	8.00
IG 8	8	2	411127	11.00
IG 10	10	2	411124	15.00
IG 12	12	2	411128	19.00

Dimensions are in inches

FC

Mounting Clamps

Mounting clips which facilitate the installation and removal of fans for service and cleaning. Made from galvanized sheet steel and fitted with an 1/3" neoprene lining which suppresses vibration and ensures a tight fit. The mounting clips are clamped together by two screws, which allow for connecting ducts with a marginal difference in diameter. Sold in pairs.



Specification Data

Model	øD	Weight, lbs	Item #	List Price, USD
FC 4	4	1	411295	20.00
FC 5	5	1	411108	25.00
FC 6	6	2	411120	27.00
FC 8	8	3	411121	29.00
FC 10	10	3	411122	32.00
FC 12	12	4	411123	35.00
FC 12-315	315 mm	4	45157	38.00

Dimensions are in inches

DBLT 4W

Lint Trap for Dryer Exhaust Fans

Galvanized metal lint trap for dryer boosting applications. Use when duct length between dryer and booster fan is less than 15 feet. Fits 4-inch duct. Features pull out white door with a view window with attached removable lint filter for easy cleaning and 1/2" flange for flush mount installation. The lint trap complements all Fantech dryer booster fans.



Specification Data

Model	Duct Size, inch	Weight, lbs	Item #	List Price, USD
DBLT 4W	4	4	46000	51.00

All items listed on this and next pages are Class 1 unless otherwise stated.

EM-WX NEW

Electric Heater

Duct heater with spigot connection for standard spiral circular ducts. Manufactured from Aluzinc-coated sheet steel. The heater maintains specific temperature set point. The unit is controlled by an integral electronic temperature regulator. Automatic reset at 135°F / 150°F / 180°F.



Specification Data

Model	Duct size	Rated power	Voltage	Max amps	Btu/h	Fuse	Minimum airflow needed	Shipping weight	Item #	List price
	inch	W	V	A			cfm	lbs		USD
EM-WX 8	8	5,000	240 / 1	21	17,000	n/a	190	32	44687	836.00
EM-WX 10	10	10,000	240 / 1	42	34,000	n/a	390	36	44688	975.00
EM-WM	n/a	19,200	240 / 1	80	65,530	50 + 50	750	21	44689	1,500.00

Temperature rise needed	Rated power	80° F	70° F	60° F	50° F	40° F	30° F
	W	CFM	CFM	CFM	CFM	CFM	CFM
EM-WX 8	5,000	197	225	262	319	393	525
EM-WX 10	10,000	393	450	525	630	787	1050
EM-WM	20,000	756	863	1007	1209	1511	2015

SHL/SGHL

Kitchen Hood Liner

SHL Series range hood liners are made from commercial grade 304, 22-gauge stainless steel. Both series feature a built-in infinite speed control for the fan, washable aluminum filters and dimmable halogen lights (bulbs included). SGHL Series hood liners are made from 22 gauge, 304 stainless fascia with a galvanized steel body. UL approved.



Specification Data

Model	Dimensions, W x D, inch	øD, inch	Weight, lbs	Item #	List Price, USD
SHL 36	34 1/2 x 22	8	29	411111	1,002.00
SHL 42	40 1/2 x 22	10	32	411316	1,134.00
SHL 48	46 1/2 x 22	10	36	411129	1,219.00
SGHL 30	28 1/2 x 18	6	15	411247	629.00
SGHL 36	34 1/2 x 1	8	19	411296	736.00

FGR NEW

Filter Cassette

The FGR filter cassette is fitted with a standard type panel filter. The cassette housing is manufactured from galvanized sheet steel with rubber-sealed circular connections.



Specification Data

Model	Duct size	Shipping weight	Item #	List price
	inch	lbs		USD
FGR 8	8	1	44684	125.00
FGR 10	10	1	44685	150.00
FGR 12	12	1	44686	173.00

All items listed on this page are Class 1 unless otherwise stated.

SGHF

Replacement Filter

Washable hood liner grease screen/filter
Size 13 3/4" x 14 1/8". Used with SHL / SGHL.



Specification Data

Model	Replacement for	Weight, lbs	Item #	List Price, USD
SGHF 30	Hood Liner SGHL 30	2	411303	37.00
SGHF 36	Hood Liner SGHL 36	2	411379	37.00
SHF 36/42/48	Hood Liner SHL 36, 42 & 48	2	45245	37.00

RHF / RPFH

Replacement Filter

Replacement filter includes 1 HEPA filter. Filter also available in bulk of 12 pack RHF 1315B or RHF 16B.



Specification Data

Model	Filter type	Qty per package	Weight, lbs	Item #	List Price, USD
RPFH 1315	Pre-filter/Carbon	1	3	40195	37.00
RPFH 1315B	Pre-filter/Carbon	24	19	40196	667.00
RHF 16	HEPA	1	3	40193	119.00
RHF 16B	HEPA	12	22	40194	1,008.00

5ACC.FS, 5ACC.FT

Fixed Non-Ventilated Curb

Manufactured from heavy gauge galvanized steel. Corners are welded construction. The curb features fiberglass insulation that deadens sound and minimizes heat loss. The unit equipped with shutter flanges and 1 1/2" and a wood nailer (fixed roof curbs only).

Specification Data

Model 8" / 12"	Fan Size	Weight, lbs	Item #	Class 1 or 2	List Price, USD
5ACC15FS	REC 54/6	24	49580	2	111.00
5ACC19FS	REC 8..10	24	471062	2	140.00
5ACC17FS / 5ACC17FT	10	24 / 29	47206 / 47207	2	124.00 / 159.00
5ACC20FS / 5ACC20FT	12, 13	28 / 33	47212 / 47213	2	137.00 / 171.00
5ACC24FS / 5ACC24FT	15, 16	33 / 38	47217 / 47941	2	148.00 / 185.00
5ACC28FS / 5ACC28FT	18, 20	40 / 48	47221 / 47222	2	166.00 / 206.00
5ACC32FS / 5ACC32FT	24	46 / 53	47226 / 47227	2	184.00 / 227.00
5ACC40FS / 5ACC40FT	30	57 / 68	47233 / 47901	2	232.00 / 353.00
5ACC44FS / 5ACC44FT	36	68 / 73	47237 / 47238	2	268.00 / 339.00



5ACC.VC

Fixed Ventilated Curb

Manufactured from galvanized steel. The curb features stamped louvers on curb sides that provide ventilation to hot exhaust ducts to protect building and roof members. Self-flashing design incorporates flat mounting flange for fastening directly to the roof deck.

Specification Data

Model	Fan Size	Curb Height, inch	Weight, lbs	Item #	Class 1 or 2	List Price, USD
5ACC 17VC	10	24	38	47208	2	211.00
5ACC 20VC	12, 13	24	38	47214	2	225.00
5ACC 24VC	15, 16	24	47	47219	2	240.00
5ACC 28VC	18, 20	24	54	47223	2	264.00
5ACC 32VC	24	24	52	47228	2	322.00
5ACC 40VC	30	18	63	47234	2	395.00
5ACC 44VC	36	18	92	47665	2	417.00

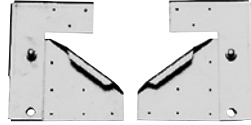


5ACC..HK

Hinge Kit

Model 5ACC 00HK suitable for 10"-20" and model 5ACC 01HK suitable for 24" - 36".

Allows entire fan to swing away for access to the wheel and ductwork.



Specification Data

Model	Fan Size	Weight, lbs	Item #	List Price, USD
5ACC 00HK	10 - 20	4	47179	95.00
5ACC 01HK	24 - 36	40	47181	323.00

1ACC..CS

Ceiling Mount Shutter

Square aluminium white mount with adjustable deflectors. RAL 9010. The mount can be used in residential premises along with WHV Series for stale air. It is intended for mounting into wall, ceiling, or into window sill. CS is supplied with springs as a standard.



Specification Data

Model	Fan Size	Recommended Opening, inch	Free area, sq.ft.	Weight, lbs	Item #	List Price, USD
1ACC24CS	24	24 x 24	4	4	49932	126.00
1ACC30CS	30	30 x 30	6.25	4	47885	158.00
1ACC36CS	36	36 x 36	9	5	47610	189.00

1ACC..MD

Motorized Damper

Manufactured from 14-gauge galvanized steel frame 2" deep with 1" flange. For quiet operation steel blades have felted edges. Damper is equipped with a motor to open and a spring return to close. Maximum airflow is 3500 FPM. 120/240V, 0.19/0.11A, 60 Hz. 54MD and 60MD models are 240V only.



Specification Data

Model	Fan Size	Recommended Wall Opening	Outside Flange, inch	Weight, lbs	Item #	Class 1 or 2	List Price, USD
1ACC24MD	24	25 x 25	27 x 27	29	47011	2	284.00
1ACC30MD	30	31 x 31	33 x 33	39	47016	2	468.00
1ACC36MD	36	37 x 37	39 x 39	51	47021	2	534.00
1ACC42MD	42	43 x 43	45 x 45	67	47026	2	615.00
1ACC48MD	48	49 x 49	51 x 51	83	47031	2	679.00
1ACC54MD	54	55 x 55	57 x 57	114	47422	2	1,015.00
1ACC60MD	60	61 x 61	63 x 63	130	47980	2	1,084.00

All items listed on this and next page are Class 1 unless otherwise stated.

5ACC..GC

Grease Collector

The grease collector box manufactured from heavy gauge galvanized steel. It fastens to a ventilator base. Easy to remove for cleaning. Diverts and traps heavy residual grease while protecting roof surface.

Available in 2 sizes.



Specification Data

Model 8" / 12"	Fan Size	Length, inch	Width, inch	Weight, lbs	Item #	List Price, USD
5ACC 00GC	10 - 13	14	5	4	47178	109.00
5ACC 01GC	15 - 36	24	7	12	47180	140.00

2DVP NEW

Venturi Frame

For customers assembling their own wall fans, this venturi frame is just the ticket! Made in the USA out of pressed galvanized steel, this heavy duty Venturi features a welded motor bracket and black powder coating. Just add your fan blade and motor.



Specification Data

Model	Fan Size	Weight, lbs	Item #	Class 1 or 2	List Price, USD
2DVP 12	12	24	47420	1	79.00
2DVP 16	16	24	47755	1	101.00
2DVP 24	24	24	47725	2	102.00
2DVP 30	30	24	47614	2	159.00

1ACC..WH

Weatherhood

Shield fan and damper opening in walls from rain and snow. For direct- and belt-drive propeller fans. Sized to easily mount to wall collar. Galvanized steel construction. A bird screen is included. Weatherhoods are shipped unassembled with assembly hardware included.



Specification Data

Model	Fan Size	Recommended Wall Opening	Outside Flange, inch	Weight, lbs	Item #	Class 1 or 2	List Price, USD
1ACC24WH	24	13 x 13	15 x 15	31	47015	2	184.00
1ACC30WH	30	17 x 17	19 x 19	44	47020	2	251.00
1ACC36WH	36	19 x 19	21 x 21	58	47025	2	309.00
1ACC42WH	42	21 x 21	23 x 23	74	47030	2	317.00
1ACC48WH	48	25 x 25	27 x 27	97	47035	2	480.00

5ACC..RD

Roof Mount Damper

Manufactured from 19-gauge galvanized steel frame 2" deep with 1" flange. For quiet operation aluminum blades have felted edges. Pre-punched conduit hole knock-out.



Specification Data

Model	Fan Size	Recommended Roof Opening	Outside Flange, inch	Weight, lbs	Item #	List Price, USD
5ACC12RD	10	12 1/2 x 12 1/2	12 x 12	3	47196	32.00
5ACC15RD	12, 13	15 1/2 x 15 1/2	15 x 15	4	47203	38.00
5ACC19RD	15, 16	19 1/2 x 19 1/2	19 x 19	5	47210	44.00
5ACC23RD	18, 20	23 1/2 x 23 1/2	23 x 23	9	47215	57.00
5ACC27RD	24	27 1/2 x 27 1/2	27 x 27	11	47220	66.00
5ACC35RD	30	35 1/2 x 35 1/2	35 x 35	16	47229	93.00
5ACC39RD	36	39 1/2 x 39 1/2	39 x 39	21	47232	113.00

1ACC..WD

Wall Damper

Single panel exhaust shutter manufactured from 19-gauge galvanized steel frame 3" deep with 1 5/8" flange. For quiet operation aluminum blades have felted edges. The damper is designed for use with 2VLD ventilator models. Models 42WD and 48WD have double panel.



Specification Data

Model	Fan Size	Recommended Wall Opening	Outside Flange, inch	Weight, lbs	Item #	Class 1 or 2	List Price, USD
1ACC12WD	12	13 x 13	15 x 15	5	47004	1	59.00
1ACC16WD	16	17 x 17	19 x 19	6	47006	1	62.00
1ACC18WD	14	19 x 19	21 x 21	6	47008	1	62.00
1ACC20WD	20	21 x 21	23 x 23	7	47010	2	67.00
1ACC24WD	24	25 x 25	27 x 27	9	47014	2	82.00
1ACC30WD	30	31 x 31	33 x 33	17	47019	2	88.00
1ACC36WD	36	37 x 37	39 x 39	22	47024	2	94.00
1ACC42WD	42	43 x 43	45 x 45	26	47029	2	111.00
1ACC48WD	48	49 x 49	51 x 51	31	47029	2	205.00

1ACC..SG

Intake Guards

Manufactured from 20-gauge galvanized steel frame (except 48SG - 18-gauge). Screens are hinged and removeable for easy access. These guards comply with OSHA regulations. Shipped knocked down with assembly hardware included.



Specification Data

Model	Fan Size	Shipping weight, lbs	Item #	Class 1 or 2	List Price, USD
1ACC12SG	12	35	47004	1	59.00
1ACC16SG	16	39	47005	1	125.00
1ACC24SG	24	35	47012	1	153.00
1ACC30SG	30	39	47017	1	203.00
1ACC36SG	36	61	47022	2	340.00
1ACC42SG	42	61	47027	2	393.00
1ACC48SG	48	120	47032	2	502.00

1ACC..WC

Wall Collar

An easy way to install vertically mounted supply and exhaust fans. An internal flange is provided for shutter mounting. The external flange provides a flashing for the wall opening. Galvanized steel construction.



Specification Data

Model	Fan Size	Shipping weight, lbs	Item #	Class 1 or 2	List Price, USD
1ACC24WC	24	53	47013	2	174.00
1ACC30WC	30	77	47018	2	257.00
1ACC36WC	36	88	47023	2	302.00
1ACC42WC	42	97	47028	2	308.00
1ACC48WC	48	123	47033	2	388.00

All items listed on this page are Class 1 unless otherwise stated.

**Everything else
you need to
know.**





© Mats Lundqvist

**ASK US ANYTHING.
ANYTIME.**

We understand you might have questions and we're happy to help you answer them. No matter, if this is in regards to a fan's performance at low speed or where you can buy an ERV in Hothouse, Georgia.

Below you will find several ways to find the information you're looking for.

fantech.net

Our website provides tailored tools and information for Architects, Building Owners, Contractors, Engineers, Facility Managers and Home Owners, including: in-depth product & service information, online product selector, and where to buy lookup. So when you start your planning, start by exploring fantech.net.

Frequently Asked Questions (FAQs)

Some questions are more common than others. That's why we created an FAQ section under the Support tab at fantech.net. If you can't find the answer to your question there, please feel free to contact us by e-mail or phone.

E-mail

Contact us via e-mail at USsupport@fantech.net. Our goal is to respond within 24 hours.

Phone

Need to talk to a live person? We're always happy to assist you. You can reach us at 800.747.1762. If you would like to see our Customer Care Team Members visit our Contact page at fantech.net

Terms & Conditions of Sale

TERMS AND PRICES

- a) Terms and payment on all orders are subject to the approval of Fantech's credit department and, unless otherwise stated, are NET 30 days from the date of invoice without regard to the date of delivery of the Products. All orders will be COD prior to credit approval. No prox billing. 1-1/2% charge on all invoices over 30 days.
- b) Prices and deliveries are FOB Fantech warehouse, or as otherwise stated, and the risk of loss and damage shall pass to Buyer upon the delivery to the carrier.
- c) Buyer shall pay Fantech the amount of any sales, use or any other local, state or federal taxes which arise from the sale or delivery of the Products.
- d) All pricing will be according to the current Fantech price list. Verbal quotes obtained via telephone are not binding, and subject to correction by the current printed Fantech price list. Unless a pricing quote is in writing from Fantech, the prices on the current price list supersede all prior price quotes.
- e) Individual Project or Job quotes are subject to expiration 30 days from date of the quote unless otherwise stated.
- f) The prices of any Product are subject to increase by Fantech to reflect increased costs of labor, raw materials, components, parts, overhead and other expenses.
- g) Fantech reserves the right to change prices and specifications without notice.
- h) No order will be shipped if any invoices are past due.
- i) Next day or second day air shipments received after 12:00 PM EST are processed the following work day.

SHIPPING AND DELIVERY

- a) Buyer's receipt of any products delivered by Fantech shall be an unqualified acceptance of, and a waiver by Buyer for any and all claims with respect to, such Products on the earliest to occur of 1) payment for the Products, or 2) failure of Fantech to receive notice in writing of shortages in the Products within ten (10) days of their delivery to Buyer.
- b) **UNDER NO CIRCUMSTANCES WILL FANTECH BE RESPONSIBLE FOR CONSEQUENTIAL OR INCIDENTAL DAMAGES ARISING OUT OF OR OWING TO ANY DELAYS IN DELIVERY.**

MINIMUM ORDER REQUIREMENTS

Traditional Distributors

\$200 Minimum order (orders will be raised to \$200.00 if order is < \$200)

Internet Distributors

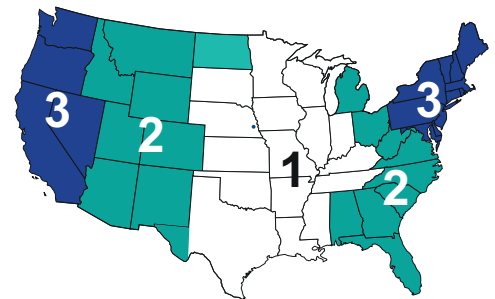
\$500 Minimum order (\$100 handling charge will be applied for orders < \$500)

FREIGHT POLICIES

There are two classifications of products in this price list: Class 1 and Class 2.

FREIGHT ADDER

- ① 6.5% of List Price
- ② 7.0% of List Price
- ③ 8.5% of List Price



ATTENTION PURCHASING AGENT:

Please, refer to the Fantech Excel version pricing sheet for Product Class Designations.

Class 1 Products

Fantech will prepay freight on orders of \$2000 or more at net invoice pricing. For order less than \$2000 NET freight charges will be calculated based on destination of shipment and added to invoice or shipped Collect. Please, refer to the three distinct zones indicated on the map at right and the FREIGHT ADDER CHART to calculate charges. Inquire with your Fantech Sales Representative how to qualify for Class 1 prepaid threshold at \$1,250 NET (orders without ERV/HRVs).

Class 2 Products

Fantech will prepay freight on orders of \$10,000 or more at net invoice pricing. For order less than \$10,000 NET freight charges will be calculated based on destination of shipment and added to invoice or shipped Collect. Please, refer to the three distinct zones indicated on the map at right and the FREIGHT ADDER CHART to calculate charges.

An order with a combination of Class 1 Products & Class 2 Products where the total Net invoice is less than \$10,000:

Items that would have qualified for Freight Allowed such as \$2,000 of Class 1 items will ship Freight Allowed. Balance of order will be charged freight and handling.

This freight allowed is valid within the continental U.S. only; no order will be prepaid to Alaska, Hawaii, Canada, Puerto Rico, or any other location outside the continental U.S. Freight allowed shipments will be shipped by best way "ground" as determined by Fantech. For special or nonstock products check with Fantech Customer Service. Orders which include special or nonstock Products will be processed as split shipments with stock items shipped at once and special or nonstock products shipped when available unless a notation to the contrary appears on Buyer's purchase order. If Buyer specifies express or air shipment, Buyer shall pay the difference between express or air and freight rates (see Shipping Policy for additional information).

Terms & Conditions of Sale

DAMAGES OR SHORTAGES

- a) Claims for damages or shortages must be reported within ten (10) days of receipt of Product.
- b) For any Product received damaged by a trucking company

THESE INSTRUCTIONS MUST BE FOLLOWED:

1. If Product received by UPS:
 - Concealed damages: Keep all cartons, call for inspection and notify Fantech immediately. Visible damages: Damaged goods due to shipping must be filed with UPS immediately.
 2. If Product received by a freight company:
 - All damages due to handling during shipping must be filed directly with the freight company. Claim must be made by receiver immediately.
- c) Shortages: Sign only for the number of pieces received, and call Fantech immediately.

FANTECH RETURN POLICY

- a) All returns must be preauthorized and shipped with a Returned Materials Authorization (RMA) number. This can be obtained only by Buyer from Fantech.
- b) RMA number must be clearly written on the outside of the carton, or the carton will be refused.
- c) All Products being returned must be shipped prepaid.
- d) Any Product returned to us that is not covered by Warranty will be returned, without action, to Buyer, freight collect; no credit will be issued.
- e) Orders placed cannot be cancelled or altered nor can deferred deliveries of Products completed or in process be extended beyond original specified delivery dates, except with Fantech's consent and upon terms which will indemnify Fantech against loss.
- f) Any claim based on the receipt of damaged products must be filed with the carrier which delivered the Products. Fantech will not allow credit for the return of damaged Products.
- g) Items from the Pricelist returned within 1 year from date of purchase are subject to a 25% restocking fee for inspection and repackaging providing all items are in salable condition. No returns will be accepted beyond 12 months from date of sale.
- h) No returns will be accepted for products not on the current Pricelist.
- i) **PRODUCTS RETURNED WITHOUT FANTECH'S RETURN MATERIALS AUTHORIZATION NUMBER WILL NOT BE ACCEPTED. FANTECH WILL NOT ACCEPT THE RETURN OF ANY SPECIAL, NONSTOCK, OBSOLETE OR UNSALEABLE PRODUCTS.**

FANTECH WARRANTY

1. EXCEPT AS EXPRESSLY STATED IN THIS AGREEMENT, THERE ARE NO WARRANTIES, EXPRESS OR IMPLIED, BY OPERATION OF LAW OR OTHERWISE. FANTECH DISCLAIMS THE IMPLIED WARRANTIES OF MERCHANTABILITY AND FITNESS FOR A PARTICULAR PURPOSE AS TO BOTH FANTECH AND NON FANTECH PRODUCTS. FANTECH'S WARRANTIES EXTEND SOLELY TO ITS CUSTOMER. FANTECH WILL NOT BE LIABLE FOR ANY INCIDENTAL, INDIRECT, SPECIAL OR CONSEQUENTIAL DAMAGES, INCLUDING, BUT NOT LIMITED TO, LOSS OF USE, REVENUES, PROFITS OR SAVINGS, EVEN IF FANTECH KNEW OR SHOULD HAVE KNOWN OF THE POSSIBILITY OF SUCH DAMAGES.
2. Equipment Warranty and Disclaimers
 - a) Subject to conditions (b) through (h) below, Fantech warrants that Equipment sold by it will be free from defects in material and workmanship during the Warranty Period. During the Warranty Period, Fantech will repair or replace any defective item of Equipment or part or component of Equipment, promptly sent to Fantech by Customer, which Fantech determines was defective due to faulty material or workmanship. "Warranty Period" means the period stated to be such on the operations manual
 - (b) Because Equipment requires ongoing maintenance, the preceding warranty is void if the maintenance specified by Fantech as required maintenance has not been performed, as determined by Fantech.
 - c) This Warranty is void if the Fantech label control number or date of manufacture, which is affixed to the Equipment, has been removed or altered in any way
 - d) This Warranty does not apply to damage occurring after Fantech shall have delivered the Equipment to a shipper. If damage, whether concealed or visible, has been caused by shipping, Customer must file a claim with the freight company
 - e) This Warranty does not apply to damages resulting from improper wiring or installation, or resulting from improper consumer procedures such as lack of proper maintenance, misuse, abuse, abnormal use, use by an application other than one recommended by Fantech, or accident or application of incorrect electrical voltage or current
 - f) This Warranty does not apply to damage or failure caused by any cause beyond the control of Fantech, including acts of God, war, terrorism, riot, or insurrection
 - g) In no event will Fantech be liable for claims, demands, or actions against Customer by any person except as provided in Section 3
 - h) The entire liability of Fantech and Customer's exclusive remedy for any defective, non-Fantech products provided under this Agreement is limited to their return to Fantech within 90 days after shipment for refund of the amount paid to Fantech for such products (not including any amounts paid for related services).

Terms & Conditions of Sale

3. Patent, Copyright and Trade Secret Indemnification.

- a) Fantech, at its own expense, will defend and indemnify Customer against claims that products furnished under this Agreement infringe a United States patent or copyright, or misappropriate trade secrets protected under United States law, provided Customer: (i) gives Fantech prompt written notice of such claims at the following address: 10048 Industrial Blvd, Lenexa, Kansas 66215; (ii) permits Fantech to defend or settle the claims; and provides all reasonable assistance to Fantech in defending or settling of claims
- b) As to any product which is, or in the opinion of Fantech, may become subject to a claim of infringement or misappropriation, Fantech may elect to (i) obtain the right of continued use of such product for Customer; or (ii) replace or modify such product to avoid such claim. If neither alternative is available on commercially reasonable terms, as determined by Fantech, then, at the request of Fantech, Customer will discontinue use and return the Equipment, and Fantech will grant a credit for the price paid to Fantech, less a reasonable offset for use and obsolescence
- c) Fantech will not defend or indemnify Customer if any claim of infringement or misappropriation (i) is asserted by parent, subsidiary or affiliate of Customer; (ii) results from Customer's design or alteration of any product, or (c) results from the use of any product in combination with any non-Fantech product
- d) This paragraph 3 states the entire liability of Fantech and Customer's sole and exclusive remedies for patent or copyright infringement and trade secret misappropriation.

4. Warranty Claim Procedure.

- a) Customer will pay transportation and insurance costs to ship Equipment if an offsite inspection and repair location is designated by Fantech. Fantech will pay the return costs if the Equipment was defective. Labor costs of diagnosis are not included in this Warranty;

FOR FACTORY RETURN YOU MUST:

- Have a Return Materials Authorization (RMA) number. This may be obtained by calling FANTECH at 800.565.3548. Please have bill of sale available
- The RMA number must be clearly written on the outside of the carton, or the carton will be refused.
- All parts and/or product being returned must be shipped prepaid, and be accompanied with a copy of the bill of sale.

OR

The List may place an order for the warranty part and/or product and is invoiced. The List will receive a credit equal to the invoice only after product is returned prepaid and verified to be defective.

FANTECH WARRANTY TERMS DO NOT PROVIDE FOR REPLACEMENT WITHOUT CHARGE PRIOR TO INSPECTION FOR A DEFECT. REPLACEMENTS ISSUED IN ADVANCE OF DEFECT INSPECTION ARE INVOICED, AND CREDIT IS PENDING INSPECTION OF RETURNED MATERIAL. DEFECTIVE MATERIAL RETURNED BY END USERS SHOULD NOT BE REPLACED BY THE List WITHOUT CHARGE TO THE END USER, AS CREDIT TO List'S ACCOUNT WILL BE PENDING INSPECTION AND VERIFICATION OF ACTUAL DEFECT BY FANTECH.
WARRANTY VALIDATION

- The user must keep a copy of the bill of sale to verify purchase date.
- These warranties give you specific legal rights, and are subject to any applicable consumer protection legislation. You may have additional rights which vary from state to state.

INDEX

A			E			L		
1ACC..CS	250	Eco-Touch™	243	LD	246			
1ACC..MD	250	EDF 1, 1R	243	M				
1ACC..SG	251	EDF 7	244	MDEH	244			
1ACC..WC	251	EM-WX	248	MGE	241			
1ACC..WD	251	EPD	196	MGS	240			
1ACC..WH	250	F						
5ACC..FS	249	5FSU	150	MTP	243			
5ACC..FT	249	FADE	166	P				
5ACC..GC	250	FAT	243	PB	76-78			
5ACC..HK	250	FB	42	PBB	240			
5ACC..RD	251	FBRF	42	PBF,PBH,PBV	240			
5ACC..MS	242	FC	247	PBW	80			
5ACC..SC	242	FD 60EM	242	R				
5ACC..VC	249	FEL	244	RC	246			
5ADE	237	FG / FG .EC	114-117	RE(C)	128			
AC	178	FGR	248	RPE	242			
ACCS	247	FH 20	243	RHF/RPFH	248			
ADC	245	FIDT	246	RSK	246			
AEV	44	FKD	122-125	RTS	243			
ASDS	244	FLD	242	RVF	94			
B			FLEX 100H			50		
5BDD	232	FML	241	S				
5BDU	134	FPS	247	1SDE	158			
BFRK	79	FQ	81	2SHE	170			
C			FQ-FD			240		
CEV	190	FR	118	SCD	242			
CG	241	FRD	184	SE704N	26			
CM	40	FSD	186	SER 1504-3204	28-33			
COM	244	FTD 7	243	SER 5504-11504	224-229			
CVS	120	FY	247	SGHF	248			
D			G			SHL/SGHL		
2DVP	250	2GMS	172	SH704	12			
5DDD	148	GD / GDC	197	SHR1504-3205R	14-25			
5DDU-EC	140	H						
5DDU	142	HP	100-105	SHR6904-14005R	204-223			
DB 10	247	HS	241	V				
DBF	86	I						
DBLT 4W	247	IG	247	2VLD	168			
DG/DGD	241	IR	245	VH, VHR	56-71			
DM	40	J						
DPC 200	243	K						
L			M			W		
M			N			1WHV		
N			O			34		
O			P			1WMC		
P			Q			164		
Q			R			WC15		
R			S			242		
S			T					
T			U					
U			V					
V			W					
W			X					
X			Y					
Y			Z					
Z								



Need a hard copy?

Scan it to order online



Customer Support:

800.747.1762 • USsupport@fantech.net



Send Orders:

USorders@fantech.net • 800.487.9915



Keep yourself updated on all news and new products by following us on fantech.net



All catalog prices are valid in USA until April 30th, 2015. This catalog supersedes all previous price lists.

Fantech reserves the right to modify, at any time and without notice, any or all of its products' features, designs, components and specifications to maintain their technological leadership position. All application renderings presented in this catalog are for visual presentation purposes only. Please, contact a building professional for technical guidance.

