



Section 30. I/O Ports with Peripheral Pin Select (PPS)

HIGHLIGHTS

This section contains the following major topics:

30.1	Introduction	30-2
30.2	I/O Port Control Registers.....	30-3
30.3	Peripheral Multiplexing.....	30-5
30.4	Peripheral Pin Select (PPS).....	30-7
30.5	Change Notification (CN) Pins	30-13
30.6	CN Operation in Sleep and Idle Modes	30-14
30.7	Registers.....	30-15
30.9	Related Application Notes.....	30-35
30.10	Revision History.....	30-36

Note: This family reference manual section is meant to serve as a complement to device data sheets. Depending on the device variant, this manual section may not apply to all dsPIC33F/PIC24H devices.

Please consult the note at the beginning of the “I/O Ports” chapter in the current device data sheet to check whether this document supports the device you are using.

Device data sheets and family reference manual sections are available for download from the Microchip Worldwide Web site at: <http://www.microchip.com>

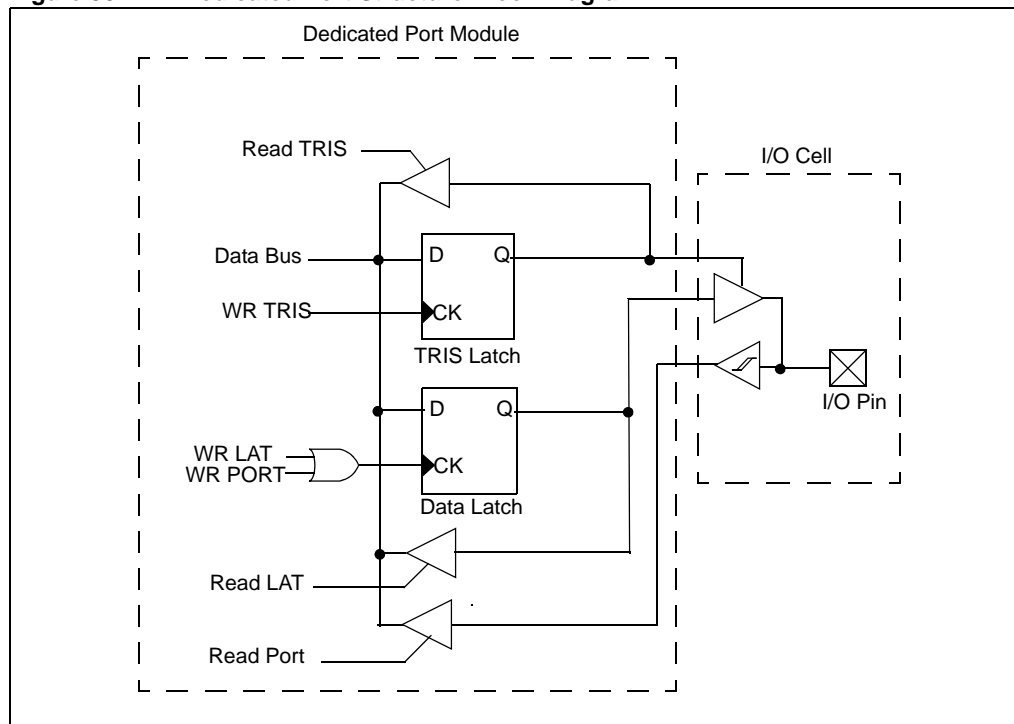
30.1 INTRODUCTION

This section provides information on I/O ports with Peripheral Pin Select (PPS) for the dsPIC33F/PIC24H family of devices. All of the device pins (except VDD, VSS, MCLR and OSC1/CLKI) are shared between the peripherals and the general purpose I/O ports.

The general purpose I/O ports allow the dsPIC33F/PIC24H to monitor and control other devices. Most I/O pins are multiplexed with alternate functions. The multiplexing will depend on the peripheral features of the device variant. In general, when a peripheral is functioning that pin may not be used as a general purpose I/O pin.

Figure 30-1 illustrates a block diagram of a typical I/O port. This block diagram does not include peripheral functions that may be multiplexed onto the I/O pin.

Figure 30-1: Dedicated Port Structure Block Diagram



30.2 I/O PORT CONTROL REGISTERS

All I/O ports have the following four registers directly associated with the operation of the port, where 'x' denotes the particular I/O port.

- TRISx: Data Direction register
- PORTx: I/O Port register
- LATx: I/O Latch register
- ODCx: Open-Drain Control register

Each I/O pin on the device has an associated bit in the TRIS, PORT and LAT registers.

Note: The total number of ports and available I/O pins depend on the specific device. In a given device, all of the bits in a port control register may not be implemented. For more information, refer to the “I/O Ports” chapter in the specific device data sheet.

30.2.1 TRIS Registers

The TRISx register control bits determine whether each pin associated with the I/O port is an input or an output. If the TRIS bit for an I/O pin is '1', then the pin is configured as an input. If the TRIS bit for an I/O pin is '0', then the pin is configured as an output. An easy way to remember this is that a '1' looks like an I (input) and a '0' looks like an O (output). After a Reset all port pins are defined as inputs.

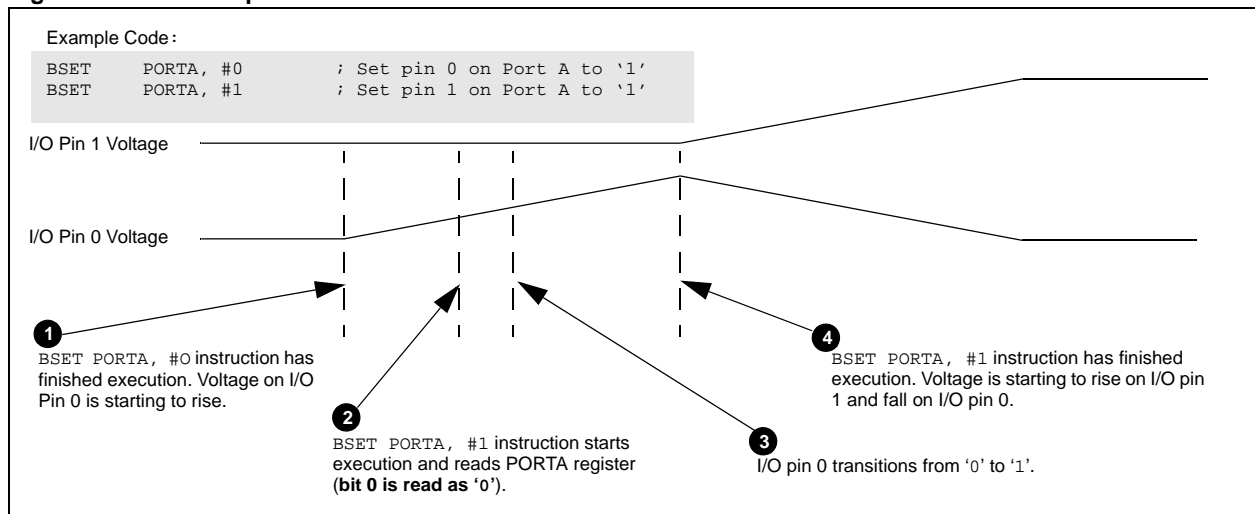
30.2.2 PORT Registers

Data on an I/O pin is accessed through a PORTx register. A read of the PORTx register reads the value of the I/O pin, while a write to the PORTx register writes the value to the port data latch.

Many instructions, such as the BSET and BCLR instructions are read-modify-write operations. Therefore, a write to a port implies that the port pins are read, this value is modified, and then it is written to the port data latch. Care should be taken when read-modify-write commands are used on the PORTx registers and when I/O pins associated with the port are configured as inputs. If an I/O pin configured as an input is later changed to an output, an unexpected value may be output on the I/O pin. This effect occurs because the read-modify-write instruction reads the instantaneous value on the input pin and loads that value into the port data latch.

In addition, if read-modify-write instructions are used on the PORTx registers while I/O pins are configured as output, unintended I/O behavior may occur based on the device speed and I/O capacitive loading. Figure 30-2 illustrates unintended behavior that occurs if the user application attempts to set I/O bits 0 and 1 on PORTA with two consecutive read-modify-write instructions in the PORTA register. At high CPU speeds and high capacitive loading on the I/O pins, the unintended result of the example code is that only I/O bit 1 is set high.

Figure 30-2: Example of Unintended I/O Behavior



In step 1 of [Figure 30-2](#), when the first `BSET` instruction is executed, it writes a '1' to bit 0 in the `PORTA` register, which raises the voltage level on the pin 0 to logic level 1. However, if the second `BSET` instruction is executed before the voltage level on pin 0 has reached the threshold for logic 1 (step 3 in [Figure 30-2](#)), the second `BSET` (read-modify-write) instruction reads '0' for bit 0, which it writes back into the `PORTA` register (step 2 in [Figure 30-2](#)). In other words, instead of reading a value of `0x0001` from the `PORTA` register, it reads a value of `0x0000`, modifies it to `0x0002` (instead of the desired value of `0x0003`) and then writes that value back to the `PORTA` register. This causes the voltage on pin 0 to start falling to logic level 0 and the voltage on pin 1 to start rising to logic level 1, as illustrated in step 4 in [Figure 30-2](#).

30.2.3 LAT Registers

The `LATx` register associated with an I/O pin eliminates the problems that could occur with read-modify-write instructions. A read of the `LATx` register returns the values held in the port output latches instead of the values on the I/O pins. A read-modify-write operation on the `LAT` register associated with an I/O port avoids the possibility of writing the input pin values into the port latches. A write to the `LATx` register has the same effect as a write to the `PORTx` register. [Example 30-1](#) uses the `LATx` register to set two I/O bits.

Example 30-1: Setting I/O Pins with the `LATx` Register

```
BSET   LATA, #0           ;Set pin 0 on Port A to '1'
BSET   LATA, #1           ;Set pin 1 on Port A to '1'
```

The differences between the `PORTx` and `LATx` registers can be summarized as follows:

- A write to the `PORTx` register writes the data value to the port latch
- A write to the `LATx` register writes the data value to the port latch
- A read of the `PORTx` register reads the data value on the I/O pin
- A read of the `LATx` register reads the data value held in the port latch

Any bit and its associated data and control registers that are not valid for a particular device will be disabled, which means the corresponding `LATx` and `TRISx` registers and the port pin will be read as '0'.

30.2.4 Open-Drain Control Registers

In addition to the `PORT`, `LAT` and `TRIS` registers for data control, each port pin can also be individually configured for either digital or open-drain output. This is controlled by the Open-Drain Control register, `ODCx`, associated with each port. Setting any of the bits configures the corresponding pin to act as an open-drain output.

The open-drain feature allows the generation of outputs higher than V_{DD} (for example, 5V) on any desired digital-only pins by using external pull-up resistors. The open-drain I/O feature is not supported on pins that have analog functionality multiplexed on the pin. The maximum open-drain voltage allowed is the same as the maximum V_{IH} specification. The open-drain output feature is supported for both port pin and peripheral configurations.

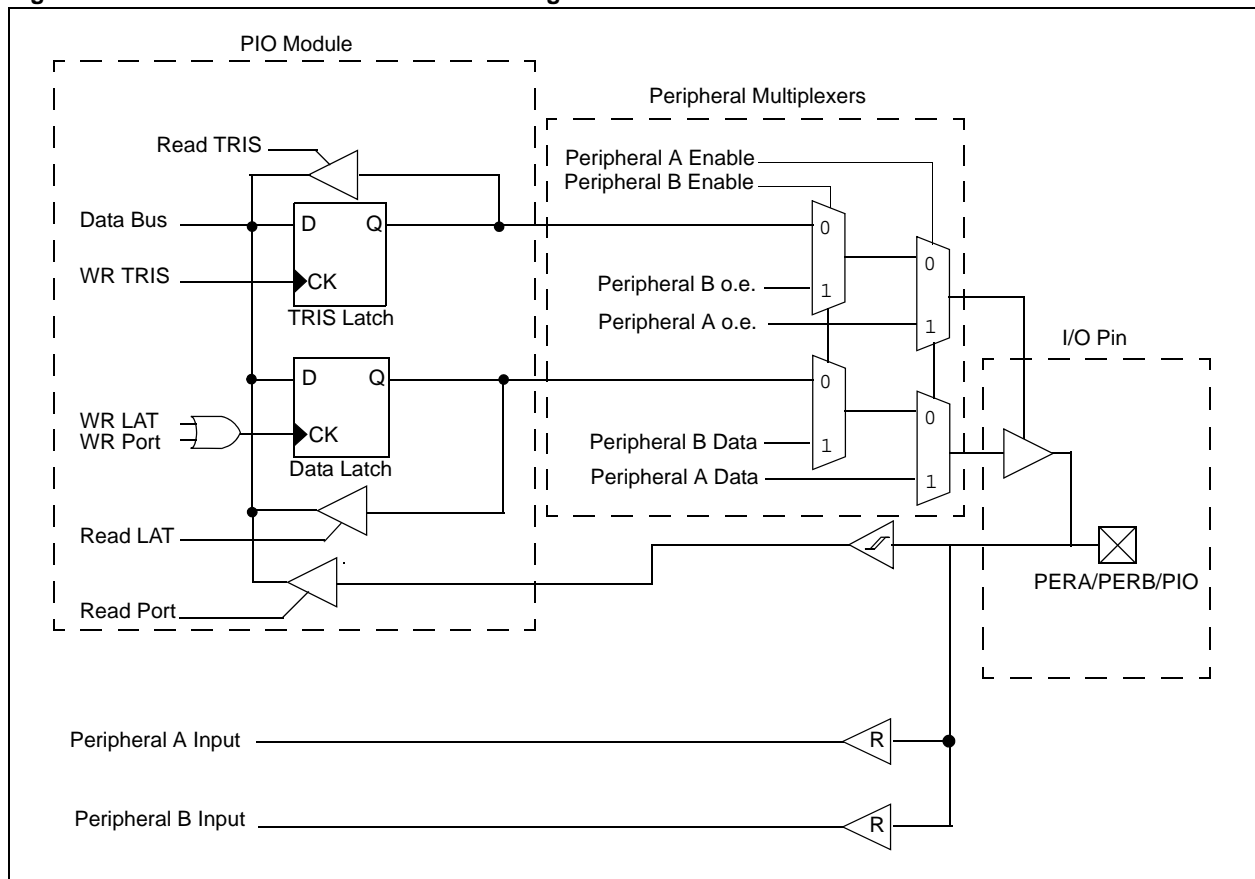
30.3 PERIPHERAL MULTIPLEXING

When a peripheral is enabled, the associated pin output drivers are typically module controlled, while a few are user-settable. The term “user-settable” means that the pin output driver is user-configurable. The I/O pin may be read through the input data path, but the output driver for the I/O port bit is generally disabled.

An I/O port that shares a pin with another peripheral is always subservient to the peripheral. The peripheral’s output buffer data and control signals are provided to a pair of multiplexers. The multiplexers select whether the peripheral or the associated port has ownership of the output data and control signals of the I/O pin. [Figure 30-3](#) illustrates how ports are shared with other peripherals and the associated I/O pin to which they are connected.

Note: Some ports are shared with ADC module pins. The corresponding bits in the AD1PCFG and AD2PCFG registers, if present, must be set to ‘1’ for I/O port functionality, even if the ADC module is turned off.

Figure 30-3: Shared Port Structure Block Diagram



30.3.1 I/O Multiplexing with Multiple Peripherals

For some dsPIC33F/PIC24H devices, particularly those with a small number of I/O pins, multiple peripheral functions may be multiplexed on each I/O pin. [Figure 30-3](#) illustrates an example of two peripherals multiplexed to the same I/O pin.

The name of the I/O pin defines the priority of each function associated with the pin. The conceptual I/O pin illustrated in [Figure 30-3](#) has two multiplexed peripherals, Peripheral A and Peripheral B, and is named PERA/PERB/PIO. The user application can easily determine the priority of the functions assigned to the pin by the I/O pin name. As illustrated in [Figure 30-3](#), Peripheral A has the highest priority for control of the pin. If Peripheral A and Peripheral B are enabled at the same time, Peripheral A will take control of the I/O pins.

30.3.1.1 SOFTWARE INPUT PIN CONTROL

Some of the functions assigned to an I/O pin may be input functions that do not take control of the pin output driver. An example of one such peripheral is the Input Capture module. If the I/O pin associated with the Input Capture is configured as an output using the appropriate TRIS control bit, the user can manually affect the state of the Input Capture pin through its corresponding PORT register. This behavior can be useful in some situations, particularly for testing purposes when no external signal is connected to the input pin.

Referring to [Figure 30-3](#), the organization of the peripheral multiplexers will determine if the peripheral input pin can be manipulated in software using the PORT register. The conceptual peripherals illustrated in [Figure 30-3](#) disconnect the PORT data from the I/O pin when the peripheral function is enabled.

In general, the following peripherals allow their input pins to be controlled manually through the PORT registers:

- External Interrupt pins
- Timer Clock Input pins
- Input Capture pins
- PWM Fault pins

Most serial communication peripherals, when enabled, take control of the I/O pin so that the input pins associated with the peripheral cannot be affected through the corresponding PORT registers. These peripherals include the following:

- SPI
- I²C™
- DCI
- UART
- ECAN™
- QEI

<p>Note: Some peripherals may not be present on all device variants. For more information, refer to the related chapter in the specific device data sheet.</p>

30.3.1.2 PIN CONTROL SUMMARY

When a peripheral is enabled, the associated pin output drivers are typically module controlled, while a few are user-settable. The term “module control” means that the associated port pin output driver is disabled and the pin can only be controlled and accessed by the peripheral. The term “user-settable” means that the associated peripheral port pin output driver is user-configurable in software through the associated TRISx Special Function Register (SFR). The TRISx register must be set for the peripheral to function properly. For “user settable” peripheral pins, the actual port pin state can always be read through the PORTx SFR.

An Input Capture peripheral is a good example of a user-settable peripheral. The user application must write the associated TRIS register to configure the Input Capture pin as an input. As the I/O pin circuitry is active when the Input Capture is enabled, the following method can be used to manually capture events using software:

- The Input Capture pin is configured as an output using the associated TRIS register
- Then, the software can write values to the corresponding LAT register drive to internally control the Input Capture pin and force capture events

As another example, an INTx pin can be configured as an output, and then, by writing to the associated LATx bit, an INTx interrupt, if enabled, can be generated.

The UART is an example of a module control peripheral. When the UART is enabled, the PORT and TRIS registers have no effect and cannot be used to read or write the RX and TX pins. Most communication peripheral functions available on the dsPIC33F/PIC24H are module control peripherals.

For example, the SPI module can be configured for Master mode, in which only the SDO pin is required. In this example, the SDI pin can be configured as a general purpose output pin by clearing (setting to a logic '0') the associated TRISx bit. For more information on how pins can be configured for a module, refer to that specific module section.

30.4 PERIPHERAL PIN SELECT (PPS)

A major challenge in general-purpose devices is providing the largest possible set of peripheral features while minimizing the conflict of features on I/O pins. The challenge is even greater on low pin-count devices. In an application where more than one peripheral needs to be assigned to a single pin, inconvenient work arounds in application code or a complete redesign may be the only option.

PPS configuration provides an alternative to these choices by enabling peripheral set selection and their placement on a wide range of I/O pins. By increasing the pinout options available on a particular device, users can tailor the device to their entire application, rather than trimming the application to fit the device.

The PPS configuration feature operates over a fixed subset of digital I/O pins. Users may independently map the input and/or output of most digital peripherals to any one of these I/O pins. PPS is performed in software and generally does not require the device to be reprogrammed. Hardware safeguards are included to prevent accidental or spurious changes to the peripheral mapping after it has been established.

30.4.1 Available Pins

The PPS feature is used with a range of up to 16 pins. The number of available pins depends on the particular device and its pin count. Pins that support the PPS feature include the designation “RPn” in their full pin designation, where “RP” designates a remappable peripheral and “n” is the remappable pin number.

30.4.2 Available Peripherals

The peripherals managed by PPS are all digital-only peripherals. These include general serial communications (UART and SPI), general-purpose timer clock inputs, timer-related peripherals (Input Capture and Output Compare) and interrupt-on-change inputs.

In comparison, some digital-only peripheral modules are never included in the PPS feature. This is because the peripheral's function requires special I/O circuitry on a specific port and cannot be easily connected to multiple pins. These modules include I²C. A similar requirement excludes all modules with analog inputs, such as the Analog-to-Digital Converter (ADC).

Note: For a specific list of PPS supported peripherals, refer to the specific device data sheet.

The key difference between remappable and non-remappable peripherals is that remappable peripherals are not associated with a default I/O pin. The peripheral must always be assigned to a specific I/O pin before it can be used. In contrast, non-remappable peripherals are always available on a default pin, assuming that the peripheral is active and not conflicting with another peripheral.

When a remappable peripheral is active on a given I/O pin, it takes priority over all other digital I/O and digital communication peripherals associated with the pin. Priority is given regardless of the type of peripheral that is mapped. Remappable peripherals never take priority over any analog functions associated with the pin.

30.4.3 Controlling PPS

PPS features are controlled through two sets of SFRs: one to map peripheral inputs, and the other to map outputs. As the two SFRs are separately controlled, a particular peripheral's input and output (if the peripheral has both) can be placed on any selectable function pin without constraint.

The association of a peripheral to a peripheral-selectable pin is handled in two different ways, depending on whether an input or output is being mapped.

30.4.3.1 INPUT MAPPING

The inputs of the PPS options are mapped on the basis of the peripheral. The control register associated with a peripheral dictates the pin it will be mapped to. The RPINRx registers are used to configure peripheral input mapping (see [Register 30-5](#) through [Register 30-17](#)). Each register contains sets of 5-bit fields, with each set associated with one of the remappable peripherals. Programming a given peripheral's bit field with an appropriate 5-bit value maps the RPn pin with the corresponding value to that peripheral. For any given device, the valid range of values for any bit field corresponds to the maximum number of peripheral pin selections supported by the device. For example, [Figure 30-4](#) illustrates remappable pin selection for the U1RX input.

Figure 30-4: Remappable Input for U1RX

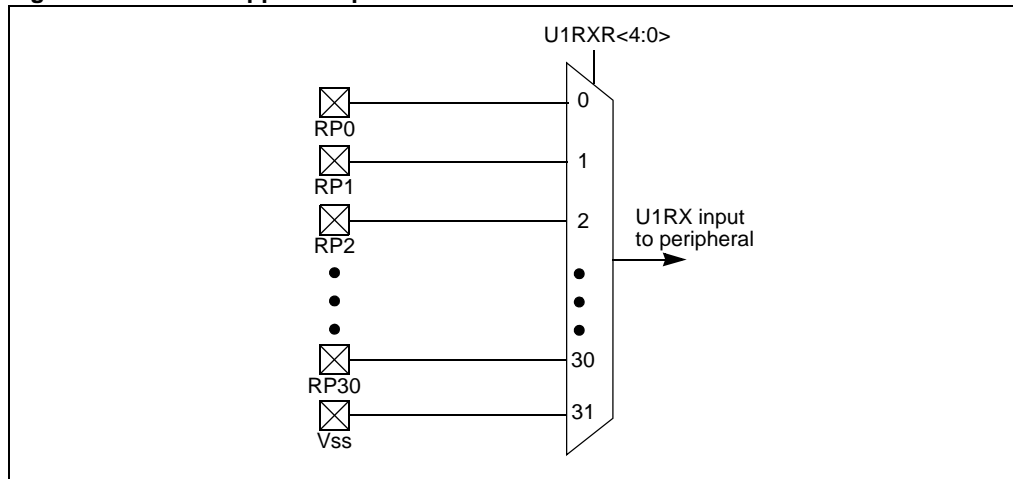


Table 30-1: Selectable Input Sources (Maps Input to Function)

Input Name ⁽¹⁾	Function Name	Register	Configuration Bits
External Interrupt 1	INT1	RPINR0	INT1R<4:0>
External Interrupt 2	INT2	RPINR1	INT2R<4:0>
Timer2 External Clock	T2CK	RPINR3	T2CKR<4:0>
Timer3 External Clock	T3CK	RPINR3	T3CKR<4:0>
Input Capture 1	IC1	RPINR7	IC1R<4:0>
Input Capture 2	IC2	RPINR7	IC2R<4:0>
Input Capture 7	IC7	RPINR10	IC7R<4:0>
Input Capture 8	IC8	RPINR10	IC8R<4:0>
Output Compare Fault A	OCFA	RPINR11	OCFAR<4:0>
PWM1 Fault	$\overline{\text{FLTA1}}$	RPINR12	FLTA1R<4:0>
PWM2 Fault	$\overline{\text{FLTA2}}$	RPINR13	FLTA2R<4:0>
QEI Phase A	QEA	RPINR14	QEAR<4:0>
QEI Phase B	QEB	RPINR14	QEBR<4:0>
QEI Index	INDX	RPINR15	INDXR<4:0>
UART1 Receive	U1RX	RPINR18	U1RXR<4:0>
UART1 Clear to Send	$\overline{\text{U1CTS}}$	RPINR18	U1CTSR<4:0>
SPI1 Data Input	SDI1	RPINR20	SDI1R<4:0>
SPI1 Clock Input	SCK1	RPINR20	SCK1R<4:0>
SPI1 Slave Select Input	$\overline{\text{SS1}}$	RPINR21	SS1R<4:0>

Note 1: Unless otherwise noted, all inputs use the Schmitt input buffers.

Note: [Table 30-1](#) and [Figure 30-4](#) provide examples of selectable input sources for a generic device. For more information, refer to the specific device data sheet.

Section 30. I/O Ports with Peripheral Pin Select (PPS)

30.4.3.2 OUTPUT MAPPING

In contrast to inputs, the outputs of the PPS options are mapped on the basis of the pin. In this case, a control register associated with a particular pin dictates the peripheral output to be mapped. The RPORx registers are used to control output mapping. Like the RPINRx registers, each register contains sets of 5-bit fields, with each set associated with one RPn pin (see [Register 30-18](#) through [Register 30-25](#)). The value of the bit field corresponds to one of the peripherals, and that peripheral's output is mapped to the pin (see [Table 30-2](#) and [Figure 30-5](#)).

A null output is associated with the output register reset value of '0'. This is done to ensure that remappable outputs remain disconnected from all output pins by default.

Figure 30-5: Multiplexing of Remappable Output for RPn

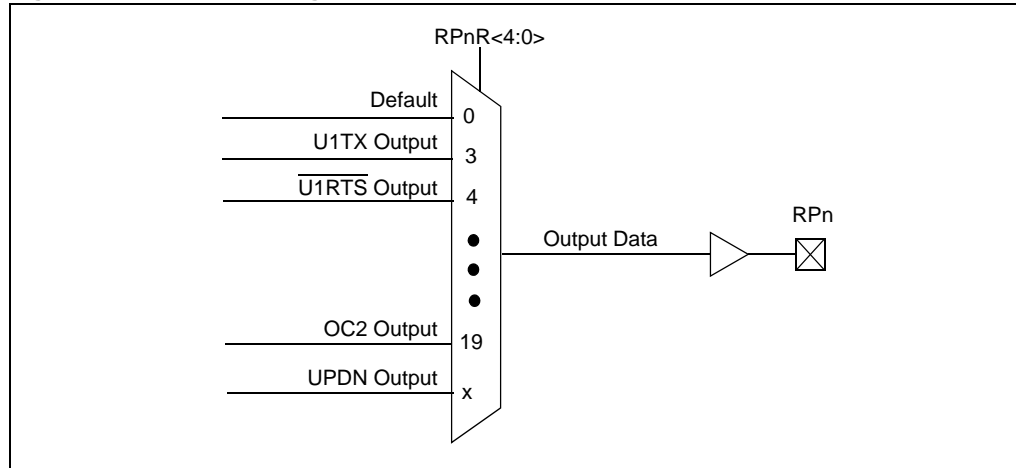


Table 30-2: Output Selection for Remappable Pin (RPn)

Function	RPnR<4:0>	Output Name
NULL	00000	RPn tied to default port pin
U1TX	00011	RPn tied to UART1 Transmit
U1RTS	00100	RPn tied to UART1 Ready to Send
SDO1	00111	RPn tied to SPI1 Data Output
SCK1OUT	01000	RPn tied to SPI1 Clock Output
SS1OUT	01001	RPn tied to SPI1 Slave Select Output
OC1	10010	RPn tied to Output Compare 1
OC2	10011	RPn tied to Output Compare 2
UPDN	11010	RPn tied to QEI direction (UPDN) status

Note: [Figure 30-5](#) and [Table 30-2](#) provide examples of a generic device. For more information, refer to the specific device data sheet.

30.4.3.3 MAPPING LIMITATIONS

The control schema of the peripheral select pins is not limited to a small range of fixed peripheral configurations. There are no mutual or hardware-enforced lockouts between any of the peripheral mapping SFRs. Usually, any combination of peripheral mappings across any or all of the RPn pins is possible. This includes both many-to-one and one-to-many mappings of peripheral inputs and outputs to pins. While such mappings may be technically possible from a configuration point of view, they may not be supportable from an electrical point of view.

30.4.4 Controlling Configuration Changes

Peripheral mapping can be changed during run time. Because of this, some restrictions on peripheral remapping are needed to prevent accidental configuration changes. All dsPIC33F/PIC24H devices include three features to prevent alterations to the peripheral map:

- Control register lock sequence
- Continuous state monitoring
- Configuration bit remapping lock

30.4.4.1 CONTROL REGISTER LOCK

Under normal operation, writes to the RPINRx and RPORx registers are not allowed. Attempted writes will appear to execute normally, but the contents of the registers will remain unchanged. To change these registers, the registers must be unlocked in hardware. The register lock is controlled by the IOLOCK bit (OSCCON<6>). Setting the IOLOCK bit prevents writes to the control registers and clearing the IOLOCK bit allows writes.

To set or clear the IOLOCK bit, a specific command sequence must be executed:

1. Write 0x46 to OSCCON<7:0>
2. Write 0x57 to OSCCON<7:0>
3. Clear (or set) IOLOCK as a single operation

The IOLOCK bit remains in one state until changed. This allows all of the peripheral pin selects to be configured with a single unlock sequence followed by an update to all of the control registers. After this, the IOLOCK bit can be set with a second lock sequence.

Note: MPLAB[®] C30 provides built-in C language functions for unlocking the OSCCON register:

```
__builtin_write_OSCCONL(value)  
__builtin_write_OSCCONH(value)
```

See the MPLAB help files for more information.

30.4.4.2 CONTINUOUS STATE MONITORING

In addition to being protected from direct writes, the contents of the RPINRx and RPORx registers are constantly monitored in hardware by shadow registers. If an unexpected change in any of the registers occurs (like cell disturbances caused by ESD or other external events), a configuration mismatch reset will be triggered.

30.4.4.3 CONFIGURATION BIT PIN SELECT LOCK

As an additional level of safety, the device can be configured to prevent more than one write session to the RPINRx and RPORx registers. The IOL1WAY Configuration bit (FOSC<5>) blocks the IOLOCK bit from being cleared after it has been set once.

In the default (unprogrammed) state, IOL1WAY is set, restricting users to one write session. Programming IOL1WAY allows users unlimited access (with the use of the unlock sequence) to the PPS registers.

30.4.5 Considerations for Peripheral Pin Selection

The ability to control peripheral pin selection introduces several considerations into application design that most users would never think of otherwise. This is particularly true for several common peripherals, which are only available as remappable peripherals.

The main consideration is that the peripheral pin selects are not available on default pins in the device's default (reset) state. Specifically, because all RPINRx registers reset to all 1's and RPORx registers reset to 0's, this means all PPS inputs are tied to Vss, while all PPS outputs are disconnected. This means that before any other application code is executed, the user must initialize the device with the proper peripheral configuration. As the IOLOCK bit resets in the unlocked state, it is not necessary to execute the unlock sequence after the device has come out of reset. For application safety, however, it is always advisable to set IOLOCK bit and lock the configuration after writing to the control registers.

The unlock sequence must be executed as an assembly-language routine, in the same manner as changes to the oscillator configuration, because the unlock sequence is timing critical. If the bulk of the application is written in C or another high-level language, the unlock sequence should be performed by writing in-line assembly.

Choosing the configuration requires the review of all peripheral pin selects and their pin assignments, particularly those that will not be used in the application. In all cases, unused selectable peripherals should be disabled completely. Unused peripherals should have their inputs assigned to an unused RPn pin function. I/O pins with unused RPn functions should be configured with the null peripheral output.

The assignment of a peripheral to a particular pin does not automatically perform any other configuration of the pin's I/O circuitry. In theory, this means adding a pin selectable output to a pin may mean inadvertently driving an existing peripheral input when the output is driven. Users must be familiar with the behavior of other fixed peripherals that share a remappable pin and know when to enable or disable them. To be safe, fixed digital peripherals that share the same pin should be disabled when not in use.

Along these lines, configuring a remappable pin for a specific peripheral does not automatically turn that feature on. The peripheral must be specifically configured for operation and enabled as if it were tied to a fixed pin. Where this happens in the application code (immediately following device reset and peripheral configuration, or inside the main application routine), depends on the peripheral and its use in the application.

A final consideration is that PPS functions neither override analog inputs nor reconfigure pins with analog functions for digital I/O. If a pin is configured as an analog input on device Reset, it must be explicitly reconfigured as a digital I/O when used with PPS. [Example 30-2](#) illustrates a configuration for bidirectional communication with flow control using UART1. The following input and output functions are used:

- Input Functions: U1RX, $\overline{U1CTS}$
- Output Functions: U1TX, $\overline{U1RTS}$

Example 30-2: Configuring UART1 Input and Output Functions

```

//*****
// Unlock Registers
//*****
__builtin_write_OSCCONL(OSCCON & ~(1<<6));

//*****
// Configure Input Functions
// (See Table 30-1)
//*****
// Assign U1Rx To Pin RP0
//*****
RPINR18bits.U1RXR = 0;

//*****
// Assign U1CTS To Pin RP1
//*****
RPINR18bits.U1CTSR = 1;

//*****
// Configure Output Functions
// (See Table 30-2)
//*****
// Assign U1Tx To Pin RP2
//*****
RPOR1bits.RP2R = 3;

//*****
// Assign U1RTS To Pin RP3
//*****
RPOR1bits.RP3R = 4;

//*****
// Lock Registers
//*****
__builtin_write_OSCCONL(OSCCON | (1<<6));

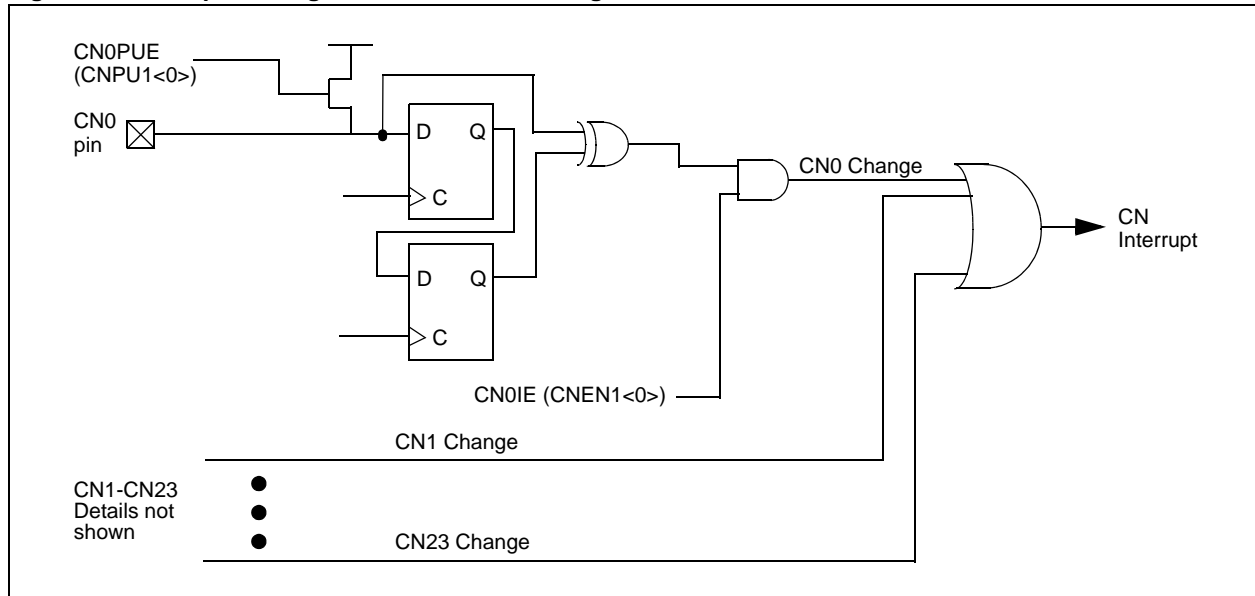
```

Section 30. I/O Ports with Peripheral Pin Select (PPS)

30.5 CHANGE NOTIFICATION (CN) PINS

The Change Notification (CN) pins provide dsPIC33F/PIC24H devices with the ability to generate interrupt requests to the processor in response to a change of state on selected input pins. Up to 24 input pins may be selected (enabled) for generating CN interrupts. The total number of available CN inputs depends on the selected dsPIC33F/PIC24H device. For more information, refer to the “I/O Ports” chapter in the specific device data sheet. Figure 30-6 illustrates the basic function of the CN hardware.

Figure 30-6: Input Change Notification Block Diagram



30.5.1 CN Control Registers

Four control registers associated with the CN module are CNEN1, CNEN2, CNPU1 and CNPU2.

The CNEN1 and CNEN2 registers contain the CNxIE control bits, where ‘x’ denotes the number of the CN input pin. The CNxIE bit must be set for a CN input pin to interrupt the CPU.

The CNPU1 and CNPU2 registers contain the CNxPUE control bits. Each CN pin has a weak pull-up device connected to the pin, which can be enabled or disabled using the CNxPUE control bits. The weak pull-up devices act as a current source that is connected to the pin and eliminate the need for external resistors when push button or keypad devices are connected. Refer to the “**Electrical Specifications**” chapter of the specific device data sheet for CN pull-up device current specifications.

30.5.2 CN Configuration and Operation

The CN pins are configured as follows:

1. Ensure that the CN pin is configured as a digital input by setting the associated bit in the TRISx register.
2. Enable interrupts for the selected CN pins by setting the appropriate bits in the CNEN1 and CNEN2 registers.
3. Turn on the weak pull-up devices (if required) for the selected CN pins by setting the appropriate bits in the CNPU1 and CNPU2 registers.
4. Clear the CNIF interrupt flag in the IFSx register.
5. Select the required interrupt priority for CN interrupts using the CNIP<2:0> control bits in the IPCx register.
6. Enable CN interrupts using the CNIE control bit in the IECx register.

The CN pins have a minimum input pulse width specification. Refer to the “**Electrical Specifications**” chapter of the specific device data sheet for more information.

Example 30-3: Configuring and Using CN Interrupts

```
void configure CN(void)
{
    CNEN1bits.CN3IE = 1;           // Enable CN3 pin for interrupt detection
    IEC1bits.CNIE = 1;            // Enable CN interrupts
    IFS1bits.CNIF = 0;            // Reset CN interrupt
}

void __attribute__((__interrupt__)) _CNInterrupt(void)
{
    // Insert ISR code here

    IFS1bits.CNIF = 0;           // Clear CN interrupt
}
```

30.6 CN OPERATION IN SLEEP AND IDLE MODES

The CN module continues to operate during Sleep or Idle mode. If one of the enabled CN pins changes states, the CNIF status bit in the IFSx register will be set. If the CNIE bit is set in the IECx register, the device will wake from Sleep or Idle mode and resume operation.

If the assigned priority level of the CN interrupt is equal to or less than the current CPU priority level, device execution will continue from the instruction immediately following the `SLEEP` or `IDLE` instruction.

If the assigned priority level of the CN interrupt is greater than the current CPU priority level, device execution will continue from the CN interrupt vector address.

30.7 REGISTERS

30.7.1 Change Notification Registers

The following registers are used to enable and disable corresponding CN interrupts and pull-up resistors:

- [CNEN1: Input Change Notification Interrupt Enable Register 1](#)
- [CNEN2: Input Change Notification Interrupt Enable Register 2](#)
- [CNPU1: Input Change Notification Pull-up Enable Register 1](#)
- [CNPU2: Input Change Notification Pull-up Enable Register 2](#)

30.7.2 Peripheral Pin Select Registers

The following registers are used to configure the input and output functionality of the dsPIC33F/PIC24H device pins:

- [RPINR0: Peripheral Pin Select Input Register 0](#)
- [RPINR1: Peripheral Pin Select Input Register 1](#)
- [RPINR3: Peripheral Pin Select Input Register 3](#)
- [RPINR7: Peripheral Pin Select Input Register 7](#)
- [RPINR10: Peripheral Pin Select Input Register 10](#)
- [RPINR11: Peripheral Pin Select Input Register 11](#)
- [RPINR12: Peripheral Pin Select Input Register 12](#)
- [RPINR13: Peripheral Pin Select Input Register 13](#)
- [RPINR14: Peripheral Pin Select Input Register 14](#)
- [RPINR15: Peripheral Pin Select Input Register 15](#)
- [RPINR18: Peripheral Pin Select Input Register 18](#)
- [RPINR20: Peripheral Pin Select Input Register 20](#)
- [RPINR21: Peripheral Pin Select Input Register 21](#)
- [RPOR0: Peripheral Pin Select Output Register 0](#)
- [RPOR1: Peripheral Pin Select Output Register 1](#)
- [RPOR2: Peripheral Pin Select Output Register 2](#)
- [RPOR3: Peripheral Pin Select Output Register 3](#)
- [RPOR4: Peripheral Pin Select Output Register 4](#)
- [RPOR5: Peripheral Pin Select Output Register 5](#)
- [RPOR6: Peripheral Pin Select Output Register 6](#)
- [RPOR7: Peripheral Pin Select Output Register 7](#)

Note: Some dsPIC33F/PIC24H devices may have additional RPORx (Peripheral Pin Select Output) registers. For more information, refer to the “I/O Ports” chapter in the specific device data sheet.

dsPIC33F/PIC24H Family Reference Manual

Register 30-1: CNEN1: Input Change Notification Interrupt Enable Register 1

R/W-0	R/W-0	R/W-0	R/W-0	R/W-0	R/W-0	R/W-0	R/W-0
CN15IE	CN14IE	CN13IE	CN12IE	CN11IE	CN10IE	CN9IE	CN8IE
bit 15							bit 8

R/W-0	R/W-0	R/W-0	R/W-0	R/W-0	R/W-0	R/W-0	R/W-0
CN7IE	CN6IE	CN5IE	CN4IE	CN3IE	CN2IE	CN1IE	CN0IE
bit 7							bit 0

Legend:

R = Readable bit W = Writable bit U = Unimplemented bit, read as '0'
 -n = Value at POR '1' = Bit is set '0' = Bit is cleared x = Bit is unknown

bit 15-0 **CNxIE:** Input Change Notification Interrupt Enable bits
 1 = Enable interrupt on input change
 0 = Disable interrupt on input change

Register 30-2: CNEN2: Input Change Notification Interrupt Enable Register 2

U-0	U-0	U-0	U-0	U-0	U-0	U-0	U-0
—	—	—	—	—	—	—	—
bit 15							bit 8

R/W-0	R/W-0	R/W-0	R/W-0	R/W-0	R/W-0	R/W-0	R/W-0
CN23IE	CN22IE	CN21IE	CN20IE	CN19IE	CN18IE	CN17IE	CN16IE
bit 7							bit 0

Legend:

R = Readable bit W = Writable bit U = Unimplemented bit, read as '0'
 -n = Value at POR '1' = Bit is set '0' = Bit is cleared x = Bit is unknown

bit 15-8 **Unimplemented:** Read as '0'
 bit 7-0 **CNxIE:** Input Change Notification Interrupt Enable bits
 1 = Enable interrupt on input change
 0 = Disable interrupt on input change

Section 30. I/O Ports with Peripheral Pin Select (PPS)

Register 30-3: CNPU1: Input Change Notification Pull-up Enable Register 1

R/W-0	R/W-0	R/W-0	R/W-0	R/W-0	R/W-0	R/W-0	R/W-0
CN15PUE	CN14PUE	CN13PUE	CN12PUE	CN11PUE	CN10PUE	CN9PUE	CN8PUE
bit 15							bit 8

R/W-0	R/W-0	R/W-0	R/W-0	R/W-0	R/W-0	R/W-0	R/W-0
CN7PUE	CN6PUE	CN5PUE	CN4PUE	CN3PUE	CN2PUE	CN1PUE	CN0PUE
bit 7							bit 0

Legend:

R = Readable bit	W = Writable bit	U = Unimplemented bit, read as '0'
-n = Value at POR	'1' = Bit is set	'0' = Bit is cleared x = Bit is unknown

bit 15-0 **CNxPUE:** Input Change Notification Pull-up Enable bits
 1 = Enable pull-up on input change
 0 = Disable pull-up on input change

Register 30-4: CNPU2: Input Change Notification Pull-up Enable Register 2

U-0	U-0	U-0	U-0	U-0	U-0	U-0	U-0
—	—	—	—	—	—	—	—
bit 15							bit 8

R/W-0	R/W-0	R/W-0	R/W-0	R/W-0	R/W-0	R/W-0	R/W-0
CN23PUE	CN22PUE	CN21PUE	CN20PUE	CN19PUE	CN18PUE	CN17PUE	CN16PUE
bit 7							bit 0

Legend:

R = Readable bit	W = Writable bit	U = Unimplemented bit, read as '0'
-n = Value at POR	'1' = Bit is set	'0' = Bit is cleared x = Bit is unknown

bit 15-8 **Unimplemented:** Read as '0'
 bit 7-0 **CNxPUE:** Input Change Notification Pull-up Enable bits
 1 = Enable pull-up on input change
 0 = Disable pull-up on input change

dsPIC33F/PIC24H Family Reference Manual

Register 30-5: RPINR0: Peripheral Pin Select Input Register 0

U-0	U-0	U-0	R/W-1	R/W-1	R/W-1	R/W-1	R/W-1
—	—	—	INT1R<4:0>				
bit 15							bit 8

U-0	U-0	U-0	U-0	U-0	U-0	U-0	U-0
—	—	—	—	—	—	—	—
bit 7							bit 0

Legend:

R = Readable bit W = Writable bit U = Unimplemented bit, read as '0'
 -n = Value at POR '1' = Bit is set '0' = Bit is cleared x = Bit is unknown

bit 15-13 **Unimplemented:** Read as '0'
 bit 12-8 **INT1R<4:0>:** Assign External Interrupt 1 (INTR1) to the Corresponding RPn Pin bits
 11111 = Input tied Vss
 11110 = Input tied to RP30
 .
 .
 .
 00001 = Input tied to RP1
 00000 = Input tied to RP0
 bit 7-0 **Unimplemented:** Read as '0'

Register 30-6: RPINR1: Peripheral Pin Select Input Register 1

U-0	U-0	U-0	U-0	U-0	U-0	U-0	U-0
—	—	—	—	—	—	—	—
bit 15							bit 8

U-0	U-0	U-0	R/W-1	R/W-1	R/W-1	R/W-1	R/W-1
—	—	—	INT2R<4:0>				
bit 7							bit 0

Legend:

R = Readable bit W = Writable bit U = Unimplemented bit, read as '0'
 -n = Value at POR '1' = Bit is set '0' = Bit is cleared x = Bit is unknown

bit 15-5 **Unimplemented:** Read as '0'
 bit 4-0 **INT2R<4:0>:** Assign External Interrupt 2 (INTR2) to the Corresponding RPn Pin bits
 11111 = Input tied Vss
 11110 = Input tied to RP30
 .
 .
 .
 00001 = Input tied to RP1
 00000 = Input tied to RP0

Section 30. I/O Ports with Peripheral Pin Select (PPS)

Register 30-7: RPINR3: Peripheral Pin Select Input Register 3

U-0	U-0	U-0	R/W-1	R/W-1	R/W-1	R/W-1	R/W-1
—	—	—	T3CKR<4:0>				
bit 15							bit 8

U-0	U-0	U-0	R/W-1	R/W-1	R/W-1	R/W-1	R/W-1
—	—	—	T2CKR<4:0>				
bit 7							bit 0

Legend:

R = Readable bit	W = Writable bit	U = Unimplemented bit, read as '0'
-n = Value at POR	'1' = Bit is set	'0' = Bit is cleared x = Bit is unknown

bit 15-13 **Unimplemented:** Read as '0'

bit 12-8 **T3CKR<4:0>:** Assign Timer3 External Clock (T3CK) to the Corresponding RPn pin

- 11111 = Input tied Vss
- 11110 = Input tied to RP30
- .
- .
- .
- 00001 = Input tied to RP1
- 00000 = Input tied to RP0

bit 7-5 **Unimplemented:** Read as '0'

bit 4-0 **T2CKR<4:0>:** Assign Timer2 External Clock (T2CK) to the Corresponding RPn pin

- 11111 = Input tied Vss
- 11110 = Input tied to RP30
- .
- .
- .
- 00001 = Input tied to RP1
- 00000 = Input tied to RP0

dsPIC33F/PIC24H Family Reference Manual

Register 30-8: RPINR7: Peripheral Pin Select Input Register 7

U-0	U-0	U-0	R/W-1	R/W-1	R/W-1	R/W-1	R/W-1
—	—	—	IC2R<4:0>				
bit 15							bit 8

U-0	U-0	U-0	R/W-1	R/W-1	R/W-1	R/W-1	R/W-1
—	—	—	IC1R<4:0>				
bit 7							bit 0

Legend:

R = Readable bit	W = Writable bit	U = Unimplemented bit, read as '0'
-n = Value at POR	'1' = Bit is set	'0' = Bit is cleared
		x = Bit is unknown

bit 15-13 **Unimplemented:** Read as '0'

bit 12-8 **IC2R<4:0>:** Assign Input Capture 2 (IC2) to the Corresponding RPn Pin bits

- 11111 = Input tied Vss
- 11110 = Input tied to RP30
- .
- .
- .
- 00001 = Input tied to RP1
- 00000 = Input tied to RP0

bit 7-5 **Unimplemented:** Read as '0'

bit 4-0 **IC1R<4:0>:** Assign Input Capture 1 (IC1) to the Corresponding RPn Pin bits

- 11111 = Input tied Vss
- 11110 = Input tied to RP30
- .
- .
- .
- 00001 = Input tied to RP1
- 00000 = Input tied to RP0

Section 30. I/O Ports with Peripheral Pin Select (PPS)

Register 30-9: RPINR10: Peripheral Pin Select Input Register 10

U-0	U-0	U-0	R/W-1	R/W-1	R/W-1	R/W-1	R/W-1
—	—	—	IC8R<4:0>				
bit 15							bit 8

U-0	U-0	U-0	R/W-1	R/W-1	R/W-1	R/W-1	R/W-1
—	—	—	IC7R<4:0>				
bit 7							bit 0

Legend:

R = Readable bit	W = Writable bit	U = Unimplemented bit, read as '0'
-n = Value at POR	'1' = Bit is set	'0' = Bit is cleared x = Bit is unknown

bit 15-13 **Unimplemented:** Read as '0'

bit 12-8 **IC8R<4:0>:** Assign Input Capture 8 (IC8) to the Corresponding RPn Pin bits

- 11111 = Input tied Vss
- 11110 = Input tied to RP30
- .
- .
- .
- 00001 = Input tied to RP1
- 00000 = Input tied to RP0

bit 7-5 **Unimplemented:** Read as '0'

bit 4-0 **IC7R<4:0>:** Assign Input Capture 7 (IC7) to the Corresponding RPn Pin bits

- 11111 = Input tied Vss
- 11110 = Input tied to RP30
- .
- .
- .
- 00001 = Input tied to RP1
- 00000 = Input tied to RP0

dsPIC33F/PIC24H Family Reference Manual

Register 30-10: RPINR11: Peripheral Pin Select Input Register 11

U-0	U-0	U-0	U-0	U-0	U-0	U-0	U-0
—	—	—	—	—	—	—	—
bit 15							bit 8
U-0	U-0	U-0	R/W-1	R/W-1	R/W-1	R/W-1	R/W-1
—	—	—	OCFAR<4:0>				
bit 7							bit 0

Legend:

R = Readable bit W = Writable bit U = Unimplemented bit, read as '0'
 -n = Value at POR '1' = Bit is set '0' = Bit is cleared x = Bit is unknown

bit 15-5 **Unimplemented:** Read as '0'
 bit 4-0 **OCFAR<4:0>:** Assign Output Capture A (OCFA) to the Corresponding RPN Pin bits
 11111 = Input tied Vss
 11110 = Input tied to RP30
 .
 .
 .
 00001 = Input tied to RP1
 00000 = Input tied to RP0

Register 30-11: RPINR12: Peripheral Pin Select Input Register 12

U-0	U-0	U-0	U-0	U-0	U-0	U-0	U-0
—	—	—	—	—	—	—	—
bit 15							bit 8
U-0	U-0	U-0	R/W-1	R/W-1	R/W-1	R/W-1	R/W-1
—	—	—	FLTA1R<4:0>				
bit 7							bit 0

Legend:

R = Readable bit W = Writable bit U = Unimplemented bit, read as '0'
 -n = Value at POR '1' = Bit is set '0' = Bit is cleared x = Bit is unknown

bit 15-5 **Unimplemented:** Read as '0'
 bit 4-0 **FLTA1R<4:0>:** Assign PWM1 Fault ($\overline{FLTA1}$) to the Corresponding RPN Pin bits
 11111 = Input tied Vss
 11110 = Input tied to RP30
 .
 .
 .
 00001 = Input tied to RP1
 00000 = Input tied to RP0

Section 30. I/O Ports with Peripheral Pin Select (PPS)

Register 30-12: RPINR13: Peripheral Pin Select Input Register 13

U-0	U-0	U-0	U-0	U-0	U-0	U-0	U-0
—	—	—	—	—	—	—	—
bit 15						bit 8	

U-0	U-0	U-0	R/W-1	R/W-1	R/W-1	R/W-1	R/W-1
—	—	—	FLTA2R<4:0>				—
bit 7						bit 0	

Legend:

R = Readable bit	W = Writable bit	U = Unimplemented bit, read as '0'
-n = Value at POR	'1' = Bit is set	'0' = Bit is cleared x = Bit is unknown

bit 15-5 **Unimplemented:** Read as '0'

bit 4-0 **FLTA2R<4:0>:** Assign PWM2 Fault ($\overline{\text{FLTA2}}$) to the Corresponding RPn Pin bits

- 11111 = Input tied Vss
- 11110 = Input tied to RP30
- .
- .
- .
- 00001 = Input tied to RP1
- 00000 = Input tied to RP0

dsPIC33F/PIC24H Family Reference Manual

Register 30-13: RPINR14: Peripheral Pin Select Input Register 14

U-0	U-0	U-0	R/W-1	R/W-1	R/W-1	R/W-1	R/W-1
—	—	—	QEBR<4:0>				
bit 15							bit 8

U-0	U-0	U-0	R/W-1	R/W-1	R/W-1	R/W-1	R/W-1
—	—	—	QEAR<4:0>				
bit 7							bit 0

Legend:

R = Readable bit	W = Writable bit	U = Unimplemented bit, read as '0'
-n = Value at POR	'1' = Bit is set	'0' = Bit is cleared
		x = Bit is unknown

- bit 15-13 **Unimplemented:** Read as '0'
- bit 12-8 **QEBR<4:0>:** Assign B (QEB) to the Corresponding RPn Pin bits
 - 11111 = Input tied Vss
 - 11110 = Input tied to RP30
 - .
 - .
 - .
 - 00001 = Input tied to RP1
 - 00000 = Input tied to RP0
- bit 7-5 **Unimplemented:** Read as '0'
- bit 4-0 **QEAR<4:0>:** Assign A (QEA) to the Corresponding RPn Pin bits
 - 11111 = Input tied Vss
 - 11110 = Input tied to RP30
 - .
 - .
 - .
 - 00001 = Input tied to RP1
 - 00000 = Input tied to RP0

Section 30. I/O Ports with Peripheral Pin Select (PPS)

Register 30-14: RPINR15: Peripheral Pin Select Input Register 15

U-0	U-0	U-0	U-0	U-0	U-0	U-0	U-0
—	—	—	—	—	—	—	—
bit 15						bit 8	

U-0	U-0	U-0	R/W-1	R/W-1	R/W-1	R/W-1	R/W-1
—	—	—	INDXR<4:0>				—
bit 7						bit 0	

Legend:

R = Readable bit	W = Writable bit	U = Unimplemented bit, read as '0'
-n = Value at POR	'1' = Bit is set	'0' = Bit is cleared x = Bit is unknown

- bit 15-5 **Unimplemented:** Read as '0'
- bit 4-0 **INDXR<4:0>:** Assign QEI INDEX (INDX) to the Corresponding RPn Pin bits
 - 11111 = Input tied Vss
 - 11110 = Input tied to RP30
 - .
 - .
 - .
 - 00001 = Input tied to RP1
 - 00000 = Input tied to RP0

dsPIC33F/PIC24H Family Reference Manual

Register 30-15: RPINR18: Peripheral Pin Select Input Register 18

U-0	U-0	U-0	R/W-1	R/W-1	R/W-1	R/W-1	R/W-1
—	—	—	U1CTSR<4:0>				
bit 15							bit 8

U-0	U-0	U-0	R/W-1	R/W-1	R/W-1	R/W-1	R/W-1
—	—	—	U1RXR<4:0>				
bit 7							bit 0

Legend:

R = Readable bit	W = Writable bit	U = Unimplemented bit, read as '0'
-n = Value at POR	'1' = Bit is set	'0' = Bit is cleared
		x = Bit is unknown

bit 15-13 **Unimplemented:** Read as '0'

bit 12-8 **U1CTSR<4:0>:** Assign UART1 Clear to Send (U1CTS) to the Corresponding RPn Pin bits

11111 = Input tied Vss
 11110 = Input tied to RP30

.
 .
 .

00001 = Input tied to RP1
 00000 = Input tied to RP0

bit 7-5 **Unimplemented:** Read as '0'

bit 4-0 **U1RXR<4:0>:** Assign UART1 Receive (U1RX) to the Corresponding RPn Pin bits

11111 = Input tied Vss
 11110 = Input tied to RP30

.
 .
 .

00001 = Input tied to RP1
 00000 = Input tied to RP0

Section 30. I/O Ports with Peripheral Pin Select (PPS)

Register 30-16: RPINR20: Peripheral Pin Select Input Register 20

U-0	U-0	U-0	R/W-1	R/W-1	R/W-1	R/W-1	R/W-1
—	—	—	SCK1R<4:0>				
bit 15							bit 8

U-0	U-0	U-0	R/W-1	R/W-1	R/W-1	R/W-1	R/W-1
—	—	—	SDI1R<4:0>				
bit 7							bit 0

Legend:

R = Readable bit	W = Writable bit	U = Unimplemented bit, read as '0'
-n = Value at POR	'1' = Bit is set	'0' = Bit is cleared x = Bit is unknown

bit 15-13 **Unimplemented:** Read as '0'

bit 12-8 **SCK1R<4:0>:** Assign SPI1 Clock Input (SCK1IN) to the Corresponding RPn Pin bits

- 11111 = Input tied Vss
- 11110 = Input tied to RP30
- .
- .
- .
- 00001 = Input tied to RP1
- 00000 = Input tied to RP0

bit 7-5 **Unimplemented:** Read as '0'

bit 4-0 **SDI1R<4:0>:** Assign SPI1 Data Input (SDI1) to the Corresponding RPn Pin bits

- 11111 = Input tied Vss
- 11110 = Input tied to RP30
- .
- .
- .
- 00001 = Input tied to RP1
- 00000 = Input tied to RP0

dsPIC33F/PIC24H Family Reference Manual

Register 30-17: RPINR21: Peripheral Pin Select Input Register 21

U-0	U-0	U-0	U-0	U-0	U-0	U-0	U-0
—	—	—	—	—	—	—	—
bit 15						bit 8	

U-0	U-0	U-0	R/W-1	R/W-1	R/W-1	R/W-1	R/W-1
—	—	—	SS1R<4:0>				
bit 7						bit 0	

Legend:

R = Readable bit W = Writable bit U = Unimplemented bit, read as '0'
 -n = Value at POR '1' = Bit is set '0' = Bit is cleared x = Bit is unknown

bit 15-5 **Unimplemented:** Read as '0'

bit 4-0 **SS1R<4:0>:** Assign SPI1 Slave Select Input (SS1IN) to the Corresponding RPn Pin bits

- 11111 = Input tied Vss
- 11110 = Input tied to RP30
- .
- .
- .
- 00001 = Input tied to RP1
- 00000 = Input tied to RP0

Section 30. I/O Ports with Peripheral Pin Select (PPS)

Register 30-18: RPOR0: Peripheral Pin Select Output Register 0

U-0	U-0	U-0	R/W-0	R/W-0	R/W-0	R/W-0	R/W-0
—	—	—	RP1R<4:0>				
bit 15			bit 8				

U-0	U-0	U-0	R/W-0	R/W-0	R/W-0	R/W-0	R/W-0
—	—	—	RP0R<4:0>				
bit 7			bit 0				

Legend:

R = Readable bit W = Writable bit U = Unimplemented bit, read as '0'
 -n = Value at POR '1' = Bit is set '0' = Bit is cleared x = Bit is unknown

- bit 15-13 **Unimplemented:** Read as '0'
- bit 12-8 **RP1R<4:0>:** Peripheral Output Function is Assigned to RP1 Output Pin bits (see [Table 30-2](#) for peripheral function numbers)
- bit 7-5 **Unimplemented:** Read as '0'
- bit 4-0 **RP0R<4:0>:** Peripheral Output Function is Assigned to RP0 Output Pin bits (see [Table 30-2](#) for peripheral function numbers)

Register 30-19: RPOR1: Peripheral Pin Select Output Register 1

U-0	U-0	U-0	R/W-0	R/W-0	R/W-0	R/W-0	R/W-0
—	—	—	RP3R<4:0>				
bit 15			bit 8				

U-0	U-0	U-0	R/W-0	R/W-0	R/W-0	R/W-0	R/W-0
—	—	—	RP2R<4:0>				
bit 7			bit 0				

Legend:

R = Readable bit W = Writable bit U = Unimplemented bit, read as '0'
 -n = Value at POR '1' = Bit is set '0' = Bit is cleared x = Bit is unknown

- bit 15-13 **Unimplemented:** Read as '0'
- bit 12-8 **RP3R<4:0>:** Peripheral Output Function is Assigned to RP3 Output Pin bits (see [Table 30-2](#) for peripheral function numbers)
- bit 7-5 **Unimplemented:** Read as '0'
- bit 4-0 **RP2R<4:0>:** Peripheral Output Function is Assigned to RP2 Output Pin bits (see [Table 30-2](#) for peripheral function numbers)

dsPIC33F/PIC24H Family Reference Manual

Register 30-20: RPOR2: Peripheral Pin Select Output Register 2

U-0	U-0	U-0	R/W-0	R/W-0	R/W-0	R/W-0	R/W-0
—	—	—	RP5R<4:0>				
bit 15							bit 8

U-0	U-0	U-0	R/W-0	R/W-0	R/W-0	R/W-0	R/W-0
—	—	—	RP4R<4:0>				
bit 7							bit 0

Legend:

R = Readable bit W = Writable bit U = Unimplemented bit, read as '0'
 -n = Value at POR '1' = Bit is set '0' = Bit is cleared x = Bit is unknown

- bit 15-13 **Unimplemented:** Read as '0'
- bit 12-8 **RP5R<4:0>:** Peripheral Output Function is Assigned to RP5 Output Pin bits (see [Table 30-2](#) for peripheral function numbers)
- bit 7-5 **Unimplemented:** Read as '0'
- bit 4-0 **RP4R<4:0>:** Peripheral Output Function is Assigned to RP4 Output Pin bits (see [Table 30-2](#) for peripheral function numbers)

Register 30-21: RPOR3: Peripheral Pin Select Output Register 3

U-0	U-0	U-0	R/W-0	R/W-0	R/W-0	R/W-0	R/W-0
—	—	—	RP7R<4:0>				
bit 15							bit 8

U-0	U-0	U-0	R/W-0	R/W-0	R/W-0	R/W-0	R/W-0
—	—	—	RP6R<4:0>				
bit 7							bit 0

Legend:

R = Readable bit W = Writable bit U = Unimplemented bit, read as '0'
 -n = Value at POR '1' = Bit is set '0' = Bit is cleared x = Bit is unknown

- bit 15-13 **Unimplemented:** Read as '0'
- bit 12-8 **RP7R<4:0>:** Peripheral Output Function is Assigned to RP7 Output Pin bits (see [Table 30-2](#) for peripheral function numbers)
- bit 7-5 **Unimplemented:** Read as '0'
- bit 4-0 **RP6R<4:0>:** Peripheral Output Function is Assigned to RP6 Output Pin bits (see [Table 30-2](#) for peripheral function numbers)

Section 30. I/O Ports with Peripheral Pin Select (PPS)

Register 30-22: RPOR4: Peripheral Pin Select Output Register 4

U-0	U-0	U-0	R/W-0	R/W-0	R/W-0	R/W-0	R/W-0
—	—	—	RP9R<4:0>				
bit 15							bit 8

U-0	U-0	U-0	R/W-0	R/W-0	R/W-0	R/W-0	R/W-0
—	—	—	RP8R<4:0>				
bit 7							bit 0

Legend:

R = Readable bit W = Writable bit U = Unimplemented bit, read as '0'
 -n = Value at POR '1' = Bit is set '0' = Bit is cleared x = Bit is unknown

- bit 15-13 **Unimplemented:** Read as '0'
- bit 12-8 **RP9R<4:0>:** Peripheral Output Function is Assigned to RP9 Output Pin bits (see [Table 30-2](#) for peripheral function numbers)
- bit 7-5 **Unimplemented:** Read as '0'
- bit 4-0 **RP8R<4:0>:** Peripheral Output Function is Assigned to RP8 Output Pin bits (see [Table 30-2](#) for peripheral function numbers)

Register 30-23: RPOR5: Peripheral Pin Select Output Register 5

U-0	U-0	U-0	R/W-0	R/W-0	R/W-0	R/W-0	R/W-0
—	—	—	RP11R<4:0>				
bit 15							bit 8

U-0	U-0	U-0	R/W-0	R/W-0	R/W-0	R/W-0	R/W-0
—	—	—	RP10R<4:0>				
bit 7							bit 0

Legend:

R = Readable bit W = Writable bit U = Unimplemented bit, read as '0'
 -n = Value at POR '1' = Bit is set '0' = Bit is cleared x = Bit is unknown

- bit 15-13 **Unimplemented:** Read as '0'
- bit 12-8 **RP11R<4:0>:** Peripheral Output Function is Assigned to RP11 Output Pin bits (see [Table 30-2](#) for peripheral function numbers)
- bit 7-5 **Unimplemented:** Read as '0'
- bit 4-0 **RP10R<4:0>:** Peripheral Output Function is Assigned to RP10 Output Pin bits (see [Table 30-2](#) for peripheral function numbers)

dsPIC33F/PIC24H Family Reference Manual

Register 30-24: RPOR6: Peripheral Pin Select Output Register 6

U-0	U-0	U-0	R/W-0	R/W-0	R/W-0	R/W-0	R/W-0
—	—	—	RP13R<4:0>				
bit 15							bit 8

U-0	U-0	U-0	R/W-0	R/W-0	R/W-0	R/W-0	R/W-0
—	—	—	RP12R<4:0>				
bit 7							bit 0

Legend:

R = Readable bit W = Writable bit U = Unimplemented bit, read as '0'
 -n = Value at POR '1' = Bit is set '0' = Bit is cleared x = Bit is unknown

- bit 15-13 **Unimplemented:** Read as '0'
- bit 12-8 **RP13R<4:0>:** Peripheral Output Function is Assigned to RP13 Output Pin bits (see [Table 30-2](#) for peripheral function numbers)
- bit 7-5 **Unimplemented:** Read as '0'
- bit 4-0 **RP12R<4:0>:** Peripheral Output Function is Assigned to RP12 Output Pin bits (see [Table 30-2](#) for peripheral function numbers)

Register 30-25: RPOR7: Peripheral Pin Select Output Register 7

U-0	U-0	U-0	R/W-0	R/W-0	R/W-0	R/W-0	R/W-0
—	—	—	RP15R<4:0>				
bit 15							bit 8

U-0	U-0	U-0	R/W-0	R/W-0	R/W-0	R/W-0	R/W-0
—	—	—	RP14R<4:0>				
bit 7							bit 0

Legend:

R = Readable bit W = Writable bit U = Unimplemented bit, read as '0'
 -n = Value at POR '1' = Bit is set '0' = Bit is cleared x = Bit is unknown

- bit 15-13 **Unimplemented:** Read as '0'
- bit 12-8 **RP15R<4:0>:** Peripheral Output Function is Assigned to RP15 Output Pin bits (see [Table 30-2](#) for peripheral function numbers)
- bit 7-5 **Unimplemented:** Read as '0'
- bit 4-0 **RP14R<4:0>:** Peripheral Output Function is Assigned to RP14 Output Pin bits (see [Table 30-2](#) for peripheral function numbers)

Note: Some dsPIC33F/PIC24H devices may have additional RPORx (Peripheral Pin Select Output) registers. For more information, refer to the “I/O Ports with Peripheral Pin Select (PPS)” chapter in the specific device data sheet.

Section 30. I/O Ports with Peripheral Pin Select (PPS)

30.8 DESIGN TIPS

Question 1: *Are there situations where an input pin can be safely driven beyond its maximum rating?*

Answer: In some cases, certain pins as defined in the I/O Pin Input Specifications table in the “**Electrical Characteristics**” chapter of the specific device data sheet under “Injection Current”, have internal protection diodes to VDD and VSS. The term “Injection Current” is also referred to as “Clamp Current”. On designated pins, with sufficient external current limiting precautions by the user, I/O pin input voltages are allowed to be greater or less than the data sheet absolute maximum ratings with respect to the VSS and VDD supplies. Note that when the user application forward biases either of the high or low side internal input clamp diodes, that the resulting current being injected into the device that is clamped internally by the VDD and VSS power rails, may affect the ADC accuracy by four to six counts.

Question 2: *How are shared pins handled?*

Answer: I/O pins that are shared with any analog input pin, (i.e., ANx, see the Pinout I/O Descriptions table in the “**Device Overview**” chapter in the specific device data sheet), are always analog pins by default after any reset. Consequently, configuring a pin as an analog input pin, automatically disables the digital input pin buffer and any attempt to read the digital input level by reading PORTx or LATx will always return a ‘0’ regardless of the digital logic level on the pin. To use a pin as a digital I/O pin on a shared Analog pin, the user application needs to configure the analog pin configuration registers in the I/O Ports module, (i.e., ANSELx), by setting the appropriate bit that corresponds to that I/O port pin to a ‘0’.

Note: Although it is not possible to use a digital input pin when its analog function is enabled, it is possible to use the digital I/O output function, TRISx = 0x0, while the analog function is also enabled. However, this is not recommended, particularly if the analog input is connected to an external analog voltage source, which would create signal contention between the analog signal and the output pin driver.

Question 3: *How do I determine the priorities of pin functions?*

Answer: Most I/O pins have multiple functions. Referring to the “Pin Diagrams” in the specific device data sheet, the priorities of the functions allocated to any pins are indicated by reading the pin name from left-to-right. The left most function name takes precedence over any function to its right in the naming convention. For example: AN16/T2CK/T7CK/RC1. This indicates that AN16 is the highest priority in this example and will supersede all other functions to its right in the list. Those other functions to its right, even if enabled, would not work as long as any other function to its left was enabled. This rule applies to all of the functions listed for a given pin. Dedicated peripheral functions are always higher priority than remappable functions. I/O is always lowest priority.

Question 4: *Are external resistors always needed?*

Answer: Each pin has an internal weak pull-up resistor and pull-down resistor that can be configured using the CNPUx and CNPDx registers, respectively. These resistors eliminate the need for external resistors in certain applications. The internal pull-up is up to $\sim(VDD-0.8)$, not VDD. This value is still above the minimum V_{IH} of CMOS and TTL devices.

Question 5: *Are there any design considerations I should be aware of when driving LEDs?*

Answer: When driving LEDs directly, the I/O pin can source or sink more current than what is specified in the V_{OH}/I_{OH} and V_{OL}/I_{OL} DC characteristic specification. The respective I_{OH} and I_{OL} current rating only applies to maintaining the corresponding output at or above the V_{OH} and at or below the V_{OL} levels. However, for LEDs unlike digital inputs of an externally connected device, they are not governed by the same minimum V_{IH}/V_{IL} levels. An I/O pin output can safely sink or source any current less than that listed in the absolute maximum rating section of the data sheet. For example:

$$V_{OH} = 2.4\text{V} @ I_{OH} = -8\text{ mA and } V_{DD} = 3.3\text{V}$$

The maximum output current sourced by any 8 mA I/O pin = 12 mA. LED source current < 12 mA is technically permitted. Refer to the V_{OH}/I_{OH} specifications in the “**Electrical Characteristics**” chapter of the specific device data sheet for additional information.

Question 6: *What are the PPS pin mapping rules?*

Answer: The Peripheral Pin Select (PPS) pin mapping rules are as follows:

1. Only one “output” function can be active on a given pin at any time regardless if it is a dedicated or remappable function (one pin, one output).
2. It is possible to assign a “remappable output” function to multiple pins and externally short or tie them together for increased current drive.
3. If any “dedicated output” function is enabled on a pin it will take precedence over any remappable “output” function.
4. If any “dedicated digital”, (input or output), function is enabled on a pin, any number of “input” remappable functions can be mapped to the same pin.
5. If any “dedicated analog” function(s) are enabled on a given pin, “digital input(s)” of any kind will all be disabled, although a single “digital output” at the user cautionary discretion can be enabled and active as long as there is no signal contention with an external analog input signal. For example it is possible for the ADC to convert the digital output logic level or to toggle a digital output on a comparator or ADC input provided there is no external analog input like for a built-in self test.
6. Any number of “input” remappable functions can be mapped to the same pin(s) at the same time, including to any pin with single output from either a dedicated or remappable “output”.
7. The TRIS registers control *only* the digital I/O output buffer. Any other dedicated or remappable active “output” will automatically override the TRIS setting. The TRIS register *does not* control the digital logic “input” buffer. Remappable digital “inputs” do not automatically override TRIS settings which means that the TRIS bit must be set to input for pins with only remappable input function(s) assigned
8. All analog pins are enabled by default after any reset and the corresponding digital input buffer on the pin is disabled. Only the Analog pin select registers control the digital input buffer, *not* the TRIS register. The user must disable the analog function on a pin using the analog pin select registers in order to use any “digital input(s)” on a corresponding pin, no exceptions.

Section 30. I/O Ports with Peripheral Pin Select (PPS)

30.9 RELATED APPLICATION NOTES

This section lists application notes that are related to this section of the manual. These application notes may not be written specifically for the dsPIC33F/PIC24H Product Family, but the concepts are pertinent and could be used with modification and possible limitations. The current application notes related to I/O Ports with Peripheral Pin Select (PPS) include the following:

Title	Application Note #
Implementing Wake-up on Key Stroke	AN552

Note: Please visit the Microchip web site (www.microchip.com) for additional application notes and code examples for the dsPIC33F/PIC24H family of devices.

30.10 REVISION HISTORY

Revision A (February 2007)

This is the initial released version of this document.

Revision B (February 2007)

Minor edits throughout document.

Revision C (June 2008)

This revision includes the following updates:

- **Example 30-2: “Configuring UART1 Input and Output Functions”** has been updated with entirely new content.
- Additional minor corrections such as language and formatting updates have been incorporated throughout the document.

Revision D (July 2010)

This revision includes the following updates:

- Renamed the Family Reference Manual name from dsPIC33F to dsPIC33F/PIC24H
- All references to dsPIC33F in the document are updated to dsPIC33F/PIC24H
- Notes:
 - Added a shaded note at the beginning of the section, which provides information on complementary documentation
- Deleted CN interrupt paragraph from the **30.5.2 “CN Configuration and Operation”** section
- Additional minor corrections such as language and formatting updates have been incorporated throughout the document

Revision E (April 2012)

This revision includes the following updates

- Added [30.8 “Design Tips”](#)
- Additional minor updates to text and formatting were incorporated throughout the document

Note the following details of the code protection feature on Microchip devices:

- Microchip products meet the specification contained in their particular Microchip Data Sheet.
- Microchip believes that its family of products is one of the most secure families of its kind on the market today, when used in the intended manner and under normal conditions.
- There are dishonest and possibly illegal methods used to breach the code protection feature. All of these methods, to our knowledge, require using the Microchip products in a manner outside the operating specifications contained in Microchip's Data Sheets. Most likely, the person doing so is engaged in theft of intellectual property.
- Microchip is willing to work with the customer who is concerned about the integrity of their code.
- Neither Microchip nor any other semiconductor manufacturer can guarantee the security of their code. Code protection does not mean that we are guaranteeing the product as "unbreakable."

Code protection is constantly evolving. We at Microchip are committed to continuously improving the code protection features of our products. Attempts to break Microchip's code protection feature may be a violation of the Digital Millennium Copyright Act. If such acts allow unauthorized access to your software or other copyrighted work, you may have a right to sue for relief under that Act.

Information contained in this publication regarding device applications and the like is provided only for your convenience and may be superseded by updates. It is your responsibility to ensure that your application meets with your specifications. MICROCHIP MAKES NO REPRESENTATIONS OR WARRANTIES OF ANY KIND WHETHER EXPRESS OR IMPLIED, WRITTEN OR ORAL, STATUTORY OR OTHERWISE, RELATED TO THE INFORMATION, INCLUDING BUT NOT LIMITED TO ITS CONDITION, QUALITY, PERFORMANCE, MERCHANTABILITY OR FITNESS FOR PURPOSE. Microchip disclaims all liability arising from this information and its use. Use of Microchip devices in life support and/or safety applications is entirely at the buyer's risk, and the buyer agrees to defend, indemnify and hold harmless Microchip from any and all damages, claims, suits, or expenses resulting from such use. No licenses are conveyed, implicitly or otherwise, under any Microchip intellectual property rights.

Trademarks

The Microchip name and logo, the Microchip logo, dsPIC, KEELOQ, KEELOQ logo, MPLAB, PIC, PICmicro, PICSTART, PIC³² logo, rPIC and UNI/O are registered trademarks of Microchip Technology Incorporated in the U.S.A. and other countries.

FilterLab, Hampshire, HI-TECH C, Linear Active Thermistor, MXDEV, MXLAB, SEEVAL and The Embedded Control Solutions Company are registered trademarks of Microchip Technology Incorporated in the U.S.A.

Analog-for-the-Digital Age, Application Maestro, chipKIT, chipKIT logo, CodeGuard, dsPICDEM, dsPICDEM.net, dsPICworks, dsSPEAK, ECAN, ECONOMONITOR, FanSense, HI-TIDE, In-Circuit Serial Programming, ICSP, Mindi, MiWi, MPASM, MPLAB Certified logo, MPLIB, MPLINK, mTouch, Omniscent Code Generation, PICC, PICC-18, PICDEM, PICDEM.net, PICkit, PICtail, REAL ICE, rLAB, Select Mode, Total Endurance, TSHARC, UniWinDriver, WiperLock and ZENA are trademarks of Microchip Technology Incorporated in the U.S.A. and other countries.

SQTP is a service mark of Microchip Technology Incorporated in the U.S.A.

All other trademarks mentioned herein are property of their respective companies.

© 2007-2012, Microchip Technology Incorporated, Printed in the U.S.A., All Rights Reserved.

 Printed on recycled paper.

ISBN: 978-1-62076-226-4

**QUALITY MANAGEMENT SYSTEM
CERTIFIED BY DNV
= ISO/TS 16949 =**

Microchip received ISO/TS-16949:2009 certification for its worldwide headquarters, design and wafer fabrication facilities in Chandler and Tempe, Arizona; Gresham, Oregon and design centers in California and India. The Company's quality system processes and procedures are for its PIC[®] MCUs and dsPIC[®] DSCs, KEELOQ[®] code hopping devices, Serial EEPROMs, microperipherals, nonvolatile memory and analog products. In addition, Microchip's quality system for the design and manufacture of development systems is ISO 9001:2000 certified.



MICROCHIP

Worldwide Sales and Service

AMERICAS

Corporate Office
2355 West Chandler Blvd.
Chandler, AZ 85224-6199
Tel: 480-792-7200
Fax: 480-792-7277
Technical Support:
<http://www.microchip.com/support>
Web Address:
www.microchip.com

Atlanta
Duluth, GA
Tel: 678-957-9614
Fax: 678-957-1455

Boston
Westborough, MA
Tel: 774-760-0087
Fax: 774-760-0088

Chicago
Itasca, IL
Tel: 630-285-0071
Fax: 630-285-0075

Cleveland
Independence, OH
Tel: 216-447-0464
Fax: 216-447-0643

Dallas
Addison, TX
Tel: 972-818-7423
Fax: 972-818-2924

Detroit
Farmington Hills, MI
Tel: 248-538-2250
Fax: 248-538-2260

Indianapolis
Noblesville, IN
Tel: 317-773-8323
Fax: 317-773-5453

Los Angeles
Mission Viejo, CA
Tel: 949-462-9523
Fax: 949-462-9608

Santa Clara
Santa Clara, CA
Tel: 408-961-6444
Fax: 408-961-6445

Toronto
Mississauga, Ontario,
Canada
Tel: 905-673-0699
Fax: 905-673-6509

ASIA/PACIFIC

Asia Pacific Office
Suites 3707-14, 37th Floor
Tower 6, The Gateway
Harbour City, Kowloon
Hong Kong
Tel: 852-2401-1200
Fax: 852-2401-3431

Australia - Sydney
Tel: 61-2-9868-6733
Fax: 61-2-9868-6755

China - Beijing
Tel: 86-10-8569-7000
Fax: 86-10-8528-2104

China - Chengdu
Tel: 86-28-8665-5511
Fax: 86-28-8665-7889

China - Chongqing
Tel: 86-23-8980-9588
Fax: 86-23-8980-9500

China - Hangzhou
Tel: 86-571-2819-3187
Fax: 86-571-2819-3189

China - Hong Kong SAR
Tel: 852-2401-1200
Fax: 852-2401-3431

China - Nanjing
Tel: 86-25-8473-2460
Fax: 86-25-8473-2470

China - Qingdao
Tel: 86-532-8502-7355
Fax: 86-532-8502-7205

China - Shanghai
Tel: 86-21-5407-5533
Fax: 86-21-5407-5066

China - Shenyang
Tel: 86-24-2334-2829
Fax: 86-24-2334-2393

China - Shenzhen
Tel: 86-755-8203-2660
Fax: 86-755-8203-1760

China - Wuhan
Tel: 86-27-5980-5300
Fax: 86-27-5980-5118

China - Xian
Tel: 86-29-8833-7252
Fax: 86-29-8833-7256

China - Xiamen
Tel: 86-592-2388138
Fax: 86-592-2388130

China - Zhuhai
Tel: 86-756-3210040
Fax: 86-756-3210049

ASIA/PACIFIC

India - Bangalore
Tel: 91-80-3090-4444
Fax: 91-80-3090-4123

India - New Delhi
Tel: 91-11-4160-8631
Fax: 91-11-4160-8632

India - Pune
Tel: 91-20-2566-1512
Fax: 91-20-2566-1513

Japan - Osaka
Tel: 81-66-152-7160
Fax: 81-66-152-9310

Japan - Yokohama
Tel: 81-45-471-6166
Fax: 81-45-471-6122

Korea - Daegu
Tel: 82-53-744-4301
Fax: 82-53-744-4302

Korea - Seoul
Tel: 82-2-554-7200
Fax: 82-2-558-5932 or
82-2-558-5934

Malaysia - Kuala Lumpur
Tel: 60-3-6201-9857
Fax: 60-3-6201-9859

Malaysia - Penang
Tel: 60-4-227-8870
Fax: 60-4-227-4068

Philippines - Manila
Tel: 63-2-634-9065
Fax: 63-2-634-9069

Singapore
Tel: 65-6334-8870
Fax: 65-6334-8850

Taiwan - Hsin Chu
Tel: 886-3-5778-366
Fax: 886-3-5770-955

Taiwan - Kaohsiung
Tel: 886-7-536-4818
Fax: 886-7-330-9305

Taiwan - Taipei
Tel: 886-2-2500-6610
Fax: 886-2-2508-0102

Thailand - Bangkok
Tel: 66-2-694-1351
Fax: 66-2-694-1350

EUROPE

Austria - Wels
Tel: 43-7242-2244-39
Fax: 43-7242-2244-393

Denmark - Copenhagen
Tel: 45-4450-2828
Fax: 45-4485-2829

France - Paris
Tel: 33-1-69-53-63-20
Fax: 33-1-69-30-90-79

Germany - Munich
Tel: 49-89-627-144-0
Fax: 49-89-627-144-44

Italy - Milan
Tel: 39-0331-742611
Fax: 39-0331-466781

Netherlands - Druenen
Tel: 31-416-690399
Fax: 31-416-690340

Spain - Madrid
Tel: 34-91-708-08-90
Fax: 34-91-708-08-91

UK - Wokingham
Tel: 44-118-921-5869
Fax: 44-118-921-5820

11/29/11