

Product Data



The CAPMP and CARMP evaporator coils incorporate proven standards for reliable system operation and performance throughout the life of a quality Air Conditioner or Heat Pump system.

The coils are available for use in R-410A and R-22 systems. The CAPMP and CARMP are cased A-coils that are housed in a durable, 22 gauge, pre-painted taupe metallic cabinet. The fully-insulated cabinet (foil faced with R-2.1 insulation properties) provides for quiet, efficient operation of the evaporator coil. The coils are available in sizes 018 through 060 (1.5 - 5 tons). These multipoise coils offer the most in installation application flexibility, one coil for a variety of applications with fewer SKUs to stock.

DESIGN FEATURES

Performance — Designed with performance in mind, these new A-coils offer low pressure drops to enhance system performance and airflow characteristics.

Thermostatic Expansion Valves (TXV) — All coils have refrigerant-specific, factory-installed TXVs.

Durable Condensate Pans (2) — The corrosion-resistant drain pans, one for vertical applications and one for horizontal, are designed in a new “fiberglass reinforced thermoset polyester” material (FRTP) that offers unsurpassed pan strength. It is engineered with proper slope in both pans to help ensure water drainage, improved moisture removal, and home comfort.

Refrigerant Connections — The coils are provided with industry proven sweat connections for leak-free operation to maintain system reliability. The side mounting tubing to the coil slabs allows for easy cleaning/servicing of the coils, as well as easy access to the TXV.

Burst Pressure — These coils meet or exceed burst pressure of 2100 psi which is at least three to five times the pressure they will see in actual application; good for either R-410A or R-22 refrigerant designs.

UV Knockouts — The cased coils also come with factory-installed UV knockouts for quick and easy installation of UV lights.

Serviceability — All the coils come with a “split delta plate” for easy, quick access to the coil for service and cleaning. Also, after the door is removed, the coils are removable from the front of the unit without use of any tools.

MODEL NUMBER NOMENCLATURE

1 2 3 4 5 6 7 8 9 10 11 12
 C A P M P 1 8 1 4 A C A

Product

C = Coil

Type

A = A Coil

Refrigerant Type

P = R-410A TXV

R = R-22 TXV

Coil Configuration

M = Multipoise

Cabinet Finish

P = Painted

Variations

A = Basic

Tubing Design

C = Copper

Revision Level

A = 1st

Cabinet Width

14 = 14-in (356 mm) 23 = 23-in (584 mm)

17 = 17-in (432 mm) 24 = 24-in (610 mm)

19 = 19-in (483 mm) 25 = 25-in (635 mm)

21 = 21-in (533 mm)

Unit Capacity

18 = 1 1/2 Ton

42 = 3 1/2 Ton

24 = 2 Ton

48 = 4 Ton

30 = 2 1/2 Ton

60 = 5 Ton

36 = 3 Ton



ARI Standard 210/240™
 Unitary Air Conditioners

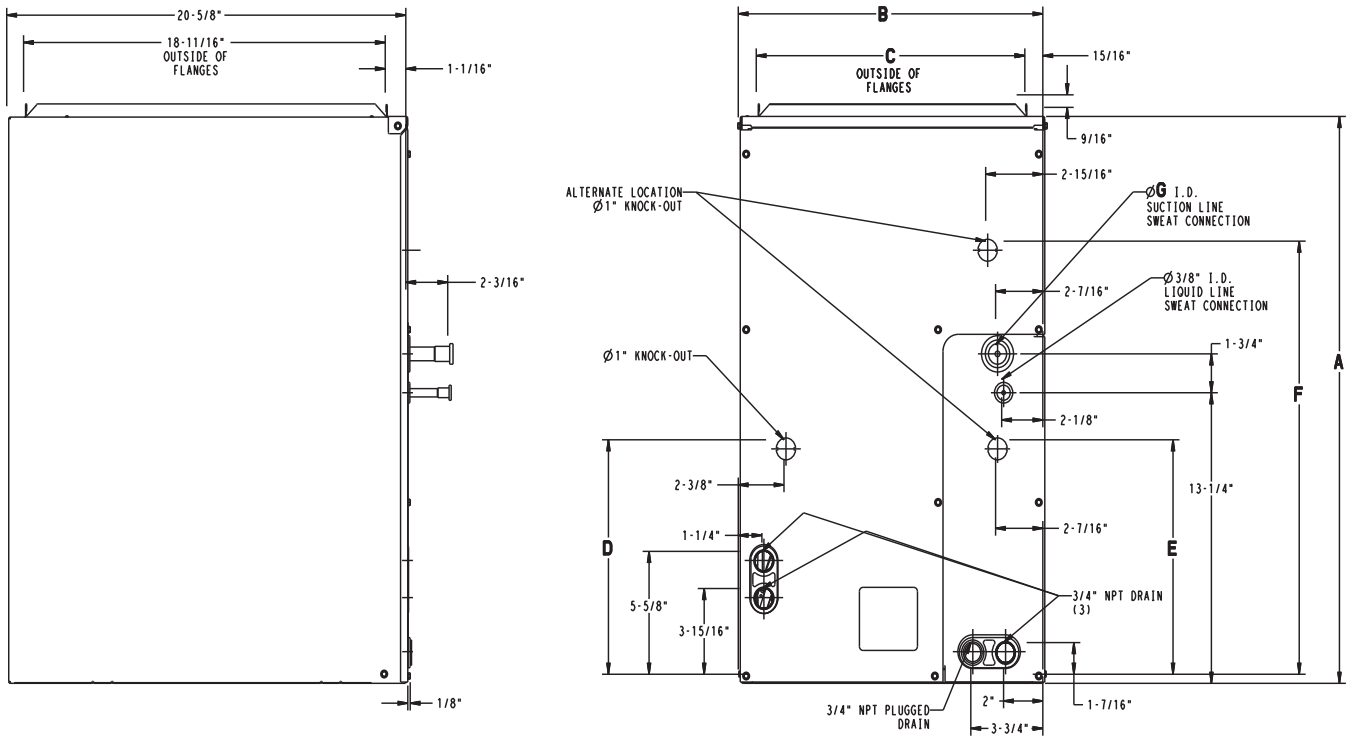


ARI Standard 210/240™
 Unitary Heat Pumps

CERTIFICATION APPLIES ONLY WHEN THE COMPLETE SYSTEM IS LISTED WITH ARI



CAPMP / CARMP

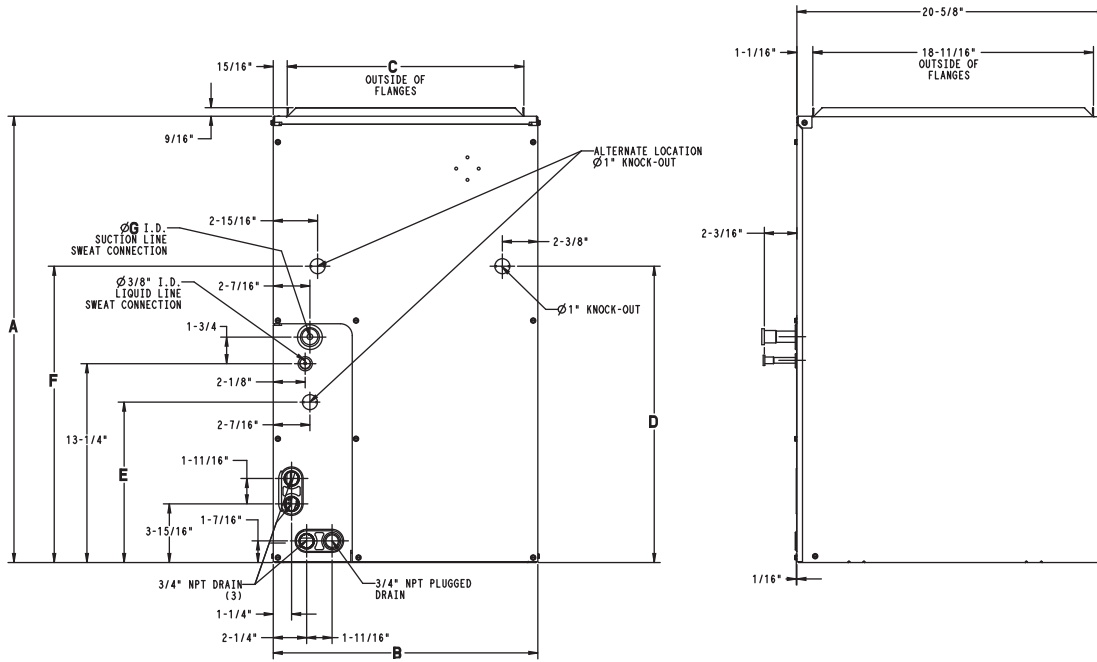


CAPMP / CARMP

A07811

DIMENSIONS

UNIT	A (IN.)	B (IN.)	C (IN.)	D (IN.)	E (IN.)	F (IN.)	G (IN.)	SHIPPING WT. (LBS.)
CAPMP3619ACA	29-3/4	19-1/4	17-1/2	19-3/4	-	19-3/4	3/4	69.5
CAPMP4823ACA	29-3/4	22-7/8	21-1/8	19-3/4	-	19-3/4	7/8	83.0
CAPMP6025ACA	35	24-1/4	22-3/4	19-3/4	-	19-3/4	7/8	97.0
CARMP3619ACA	29-3/4	19-1/4	17-1/2	19-3/4	-	19-3/4	3/4	69.5
CARMP4823ACA	29-3/4	22-7/8	21-1/8	19-3/4	-	19-3/4	7/8	83.0
CARMP6025ACA	35	24-1/2	22-3/4	19-3/4	-	19-3/4	7/8	97.0



A06502

DIMENSIONS

UNIT	A (IN.)	B (IN.)	C (IN.)	D (IN.)	E (IN.)	F (IN.)	G (IN.)	SHIPPING WT. (LBS.)
CAPMP1814ACA	25-13/16	14-3/16	12-7/16	17-3/16	10-11/16	-	5/8	49.5
CAPMP2414ACA	25-13/16	14-3/16	12-7/16	17-3/16	10-11/16	-	5/8	51.5
CAPMP2417ACA	25-13/16	17-1/2	15-3/4	10-11/16	10-11/16	-	5/8	55.0
CAPMP3014ACA	25-13/16	14-3/16	12-7/16	17-3/16	-	19-3/4	3/4	56.5
CAPMP3017ACA	25-13/16	17-1/2	15-3/4	17-3/16	-	19-3/4	3/4	62.5
CAPMP3614ACA	29-3/4	14-3/16	12-7/16	19-3/4	-	19-3/4	3/4	63.0
CAPMP3617ACA	29-3/4	17-1/2	15-3/4	19-3/4	-	19-3/4	3/4	66.5
CAPMP3621ACA	29-3/4	21	19-1/4	19-3/4	-	19-3/4	3/4	70.5
CAPMP4221ACA	29-3/4	21	19-1/4	19-3/4	-	19-3/4	7/8	75.0
CAPMP4224ACA	29-3/4	24-1/2	22-3/4	19-3/4	-	19-3/4	7/8	79.0
CAPMP4817ACA	35	17-1/2	15-3/4	19-3/4	-	19-3/4	7/8	88.5
CAPMP4821ACA	29-3/4	21	19-1/4	19-3/4	-	19-3/4	7/8	81.0
CAPMP4824ACA	29-3/4	24-1/2	22-3/4	19-3/4	-	19-3/4	7/8	86.0
CAPMP6021ACA	35	21	19-1/4	19-3/4	-	19-3/4	7/8	93.0
CAPMP6024ACA	35	24-1/2	22-3/4	19-3/4	-	19-3/4	7/8	98.0
CARMP1814ACA	25-13/16	14-3/16	12-7/16	17-3/16	10-11/16	-	5/8	49.5
CARMP2414ACA	25-13/16	14-3/16	12-7/16	17-3/16	10-11/16	-	5/8	51.5
CARMP2417ACA	25-13/16	17-1/2	15-3/4	10-11/16	10-11/16	-	5/8	55.0
CARMP3014ACA	25-13/16	14-3/16	12-7/16	17-3/16	-	19-3/4	3/4	56.5
CARMP3017ACA	25-13/16	17-1/2	15-3/4	17-3/16	-	19-3/4	3/4	62.5
CARMP3614ACA	29-3/4	14-3/16	12-7/16	19-3/4	-	19-3/4	3/4	63.0
CARMP3617ACA	29-3/4	17-1/2	15-3/4	19-3/4	-	19-3/4	3/4	66.5
CARMP3621ACA	29-3/4	21	19-1/4	19-3/4	-	19-3/4	3/4	70.5
CARMP4221ACA	29-3/4	21	19-1/4	19-3/4	-	19-3/4	7/8	75.0
CARMP4224ACA	29-3/4	24-1/2	22-3/4	19-3/4	-	19-3/4	7/8	79.0
CARMP4817ACA	35	17-1/2	15-3/4	19-3/4	-	19-3/4	7/8	88.5
CARMP4821ACA	29-3/4	21	19-1/4	19-3/4	-	19-3/4	7/8	81.0
CARMP4824ACA	29-3/4	24-1/2	22-3/4	19-3/4	-	19-3/4	7/8	86.0
CARMP6021ACA	35	21	19-1/4	19-3/4	-	19-3/4	7/8	93.0
CARMP6024ACA	35	24-1/2	22-3/4	19-3/4	-	19-3/4	7/8	98.0

PERFORMANCE DATA

COOLING CAPACITIES (MBH) - R-410A REFRIGERANT

CAPM UNIT SIZE	INDOOR COIL AIR		SATURATED TEMPERATURE LEAVING EVAPORATOR (°F)														
			30			35			40			45			50		
	CFM	EWB	TC	SHC	BF	TC	SHC	BF	TC	SHC	BF	TC	SHC	BF	TC	SHC	BF
1814	450	72	32.00	15.70	0.00	29.30	14.30	0.00	26.40	12.80	0.00	23.10	11.30	0.00	19.50	9.70	0.01
		67	26.80	16.10	0.01	24.10	14.60	0.01	21.10	13.10	0.01	17.80	11.50	0.02	14.20	9.90	0.02
		62	22.10	16.50	0.02	19.30	14.90	0.02	16.40	13.40	0.02	13.20	11.80	0.02	10.30	10.30	0.05
	600	72	39.20	19.10	0.00	36.00	17.40	0.00	32.30	15.70	0.00	28.30	13.90	0.02	23.80	12.00	0.02
		67	32.90	19.90	0.03	29.60	18.20	0.03	25.90	16.30	0.03	21.90	14.40	0.03	17.40	12.50	0.03
		62	27.20	20.60	0.04	23.80	18.80	0.04	20.20	16.90	0.04	16.30	15.00	0.04	13.20	13.20	0.09
	750	72	45.10	21.90	0.00	41.40	20.10	0.00	37.20	18.20	0.02	32.60	16.10	0.04	27.40	14.00	0.04
		67	38.00	23.20	0.05	34.20	21.20	0.05	29.90	19.10	0.05	25.20	17.00	0.05	20.00	14.70	0.06
		62	31.50	24.20	0.06	27.60	22.10	0.06	23.40	20.00	0.06	19.10	17.90	0.06	15.70	15.70	0.13
2414 2417	600	72	39.40	19.20	0.00	36.30	17.60	0.00	32.80	15.90	0.00	28.90	14.10	0.00	24.50	12.20	0.01
		67	33.10	20.00	0.01	29.90	18.20	0.01	26.30	16.40	0.01	22.40	14.50	0.02	17.90	12.60	0.02
		62	27.40	20.50	0.02	24.10	18.70	0.02	20.50	16.90	0.02	16.60	15.00	0.02	13.10	13.10	0.05
	800	72	47.70	23.20	0.00	44.00	21.40	0.00	39.80	19.40	0.00	35.10	17.30	0.02	29.80	15.10	0.02
		67	40.30	24.50	0.03	36.40	22.50	0.03	32.10	20.40	0.03	27.30	18.10	0.03	21.80	15.80	0.03
		62	33.40	25.50	0.04	29.50	23.40	0.04	25.10	21.20	0.04	20.50	19.00	0.04	16.70	16.70	0.09
	1000	72	54.30	26.40	0.00	50.20	24.40	0.00	45.40	22.30	0.02	40.10	20.00	0.04	34.00	17.50	0.04
		67	46.00	28.20	0.05	41.70	26.10	0.05	36.80	23.70	0.05	31.20	21.20	0.05	25.00	18.60	0.05
		62	38.30	29.80	0.05	33.80	27.50	0.06	28.90	25.10	0.06	23.80	22.60	0.06	19.90	19.90	0.14
3014 3017	750	72	49.10	24.00	0.00	45.00	21.90	0.00	40.50	19.70	0.00	35.50	17.40	0.00	30.00	15.00	0.01
		67	41.20	24.80	0.01	37.00	22.50	0.02	32.40	20.20	0.02	27.40	17.80	0.02	21.90	15.30	0.02
		62	34.00	25.40	0.02	29.70	23.00	0.02	25.10	20.60	0.02	20.30	18.30	0.02	16.00	16.00	0.06
	1000	72	59.90	29.10	0.00	55.00	26.70	0.00	49.50	24.10	0.00	43.30	21.30	0.02	36.50	18.40	0.03
		67	50.40	30.50	0.03	45.30	27.90	0.04	39.70	25.10	0.04	33.50	22.20	0.04	26.70	19.20	0.04
		62	41.70	31.60	0.04	36.50	28.80	0.04	30.90	26.00	0.04	25.00	23.10	0.05	20.30	20.30	0.10
	1250	72	68.80	33.40	0.00	63.20	30.70	0.00	56.80	27.80	0.03	49.70	24.70	0.04	41.90	21.40	0.05
		67	58.00	35.40	0.06	52.20	32.40	0.06	45.70	29.30	0.06	38.50	26.00	0.06	30.60	22.60	0.07
		62	48.00	37.00	0.07	42.10	33.90	0.07	35.70	30.70	0.07	29.20	27.50	0.07	24.20	24.20	0.14
3614 3617 3619 3621	900	72	60.30	29.40	0.00	55.40	26.90	0.00	49.90	24.30	0.00	43.80	21.50	0.01	37.00	18.60	0.02
		67	50.70	30.60	0.02	45.70	27.90	0.03	40.10	25.10	0.03	33.90	22.20	0.03	27.00	19.20	0.03
		62	41.90	31.50	0.03	36.70	28.70	0.03	31.10	25.80	0.03	25.10	22.90	0.04	20.00	20.00	0.08
	1200	72	72.40	35.10	0.00	66.50	32.30	0.00	59.90	29.30	0.02	52.50	26.00	0.04	44.30	22.60	0.05
		67	61.00	37.10	0.05	55.00	34.00	0.06	48.20	30.70	0.06	40.70	27.30	0.06	32.40	23.70	0.06
		62	50.50	38.80	0.06	44.30	35.50	0.06	37.60	32.10	0.06	30.60	28.70	0.07	25.20	25.20	0.13
	1500	72	82.20	39.90	0.00	75.60	36.90	0.02	68.10	33.50	0.05	59.70	29.90	0.07	50.40	26.10	0.08
		67	69.40	42.70	0.08	62.60	39.30	0.08	55.00	35.70	0.08	46.40	31.80	0.09	37.00	27.80	0.09
		62	57.70	45.10	0.09	50.70	41.40	0.09	43.10	37.70	0.09	35.50	34.00	0.10	29.80	29.80	0.18
4221 4224	1050	72	75.00	36.40	0.00	69.30	33.70	0.00	62.60	30.60	0.01	55.10	27.40	0.02	46.90	24.00	0.03
		67	63.30	38.80	0.03	57.20	35.70	0.03	50.50	32.50	0.03	42.90	29.00	0.04	33.50	25.00	0.04
		62	52.60	40.80	0.04	46.40	37.60	0.04	39.50	34.10	0.04	32.00	30.40	0.05	26.40	26.40	0.14
	1400	72	87.10	42.50	0.00	80.60	39.50	0.03	73.00	36.20	0.04	64.20	32.50	0.05	54.40	28.60	0.06
		67	73.80	46.10	0.06	66.90	42.70	0.06	58.90	39.00	0.07	50.10	35.20	0.07	40.00	30.90	0.07
		62	61.40	49.30	0.07	54.40	45.70	0.07	46.90	42.10	0.07	39.00	38.10	0.09	33.00	33.00	0.19
	1750	72	96.50	47.40	0.05	89.50	44.30	0.07	81.30	40.80	0.07	71.70	36.90	0.08	60.50	32.60	0.09
		67	82.10	52.30	0.09	74.60	48.80	0.09	65.90	44.90	0.09	55.90	40.60	0.09	45.10	36.20	0.10
		62	68.60	56.80	0.10	61.00	53.10	0.10	52.90	49.10	0.10	44.90	44.90	0.12	38.70	38.70	0.24
4817 4821 4823 4824	1200	72	83.40	40.60	0.00	76.70	37.20	0.00	69.30	33.60	0.00	60.90	29.80	0.01	51.70	25.80	0.02
		67	70.10	42.30	0.02	63.20	38.60	0.03	55.60	34.80	0.03	47.20	30.80	0.04	37.80	26.60	0.04
		62	57.90	43.50	0.04	50.90	39.70	0.04	43.20	35.70	0.04	34.90	31.70	0.04	27.70	27.70	0.08
	1600	72	100.80	48.90	0.00	92.80	45.10	0.00	83.80	40.90	0.01	73.80	36.40	0.04	62.50	31.70	0.05
		67	84.90	51.70	0.05	76.70	47.40	0.06	67.50	42.90	0.06	57.30	38.10	0.06	45.90	33.20	0.06
		62	70.40	53.90	0.06	62.00	49.30	0.06	52.60	44.60	0.07	42.80	39.90	0.07	35.00	35.00	0.13
	2000	72	114.70	55.70	0.00	105.70	51.60	0.00	95.60	47.00	0.05	84.20	42.00	0.07	71.40	36.70	0.08
		67	97.00	59.50	0.08	87.70	54.90	0.08	77.30	49.90	0.09	65.60	44.60	0.09	52.50	39.00	0.09
		62	80.60	62.80	0.09	71.00	57.70	0.09	60.50	52.50	0.09	49.60	47.20	0.10	41.30	41.30	0.18
6021 6024 6025	1600	72	109.20	53.40	0.00	100.00	48.60	0.00	89.90	43.60	0.00	78.60	38.50	0.00	66.40	33.10	0.02
		67	91.50	55.10	0.02	82.10	50.00	0.03	71.90	44.80	0.03	60.70	39.40	0.03	48.40	34.00	0.03
		62	75.40	56.30	0.03	65.90	51.00	0.03	55.60	45.70	0.04	44.80	40.40	0.04	35.30	35.30	0.07
	2000	72	128.00	62.20	0.00	117.20	56.90	0.00	105.20	51.20	0.00	92.00	45.20	0.02	77.50	39.10	0.04
		67	107.40	64.90	0.04	96.40	59.10	0.04	84.30	53.00	0.05	71.10	46.80	0.05	56.60	40.50	0.05
		62	88.60	66.90	0.05	77.50	60.80	0.05	65.30	54.60	0.05	52.70	48.50	0.06	42.40	42.40	0.11
	2400	72	144.20	70.00	0.00	132.10	64.20	0.00	118.50	57.90	0.01	103.60	51.20	0.04	87.20	44.30	0.06
		67	121.20	73.60	0.06	108.80	67.20	0.06	95.10	60.40	0.07	80.10	53.50	0.07	63.70	46.40	0.07
	62	100.10	76.40	0.07	87.50	69.60	0.07	73.80	62.70	0.07	59.80	56.00	0.08	48.90	48.90	0.14	

Legend:

CFM – Cubic Ft. per Minute EWB – Entering Wet Bulb (°F) LWB – Leaving Wet Bulb (°F) TC – Gross Cooling Capacity 1000 Btuh
 SHC – Gross Sensible Capacity 1000 Btuh BF – Bypass Factor MBH – 1000 Btuh

See notes on page 6.

CAPMP / CARMP

PERFORMANCE DATA (CONT.)

COOLING CAPACITIES (MBH) - R-22 REFRIGERANT

CARM UNIT SIZE	INDOOR COIL AIR		SATURATED TEMPERATURE LEAVING EVAPORATOR (°F)														
			30			35			40			45			50		
	CFM	EWB	TC	SHC	BF	TC	SHC	BF	TC	SHC	BF	TC	SHC	BF	TC	SHC	BF
1814	450	72	29.90	14.50	0.00	27.70	13.40	0.00	25.10	12.30	0.00	22.00	10.90	0.00	18.30	9.30	0.01
		67	25.30	15.40	0.01	22.90	14.20	0.01	20.00	12.80	0.01	16.70	11.20	0.02	12.90	9.60	0.02
		62	20.90	16.00	0.02	18.30	14.70	0.02	15.40	13.20	0.02	12.40	11.80	0.03	10.20	10.20	0.12
	600	72	35.20	17.10	0.00	32.60	15.90	0.00	29.60	14.60	0.02	26.30	13.20	0.02	22.00	11.50	0.03
		67	29.90	18.50	0.03	27.20	17.20	0.03	24.00	15.70	0.03	20.10	14.00	0.03	15.60	12.10	0.03
		62	25.00	19.80	0.04	22.00	18.30	0.04	18.70	16.60	0.04	15.30	14.90	0.05	12.80	12.80	0.16
	750	72	39.20	19.20	0.02	36.30	17.90	0.03	33.00	16.50	0.04	29.30	14.90	0.04	25.00	13.30	0.05
		67	33.30	21.10	0.05	30.40	19.70	0.05	27.00	18.10	0.05	22.80	16.30	0.05	17.80	14.30	0.06
		62	28.00	22.90	0.05	25.00	21.40	0.06	21.40	19.60	0.06	17.90	17.70	0.09	15.20	15.20	0.21
2414 2417	600	72	39.50	19.20	0.00	36.70	17.90	0.00	33.60	16.50	0.00	29.90	14.90	0.00	25.60	13.10	0.01
		67	33.50	20.70	0.01	30.70	19.20	0.01	27.40	17.70	0.01	23.30	15.80	0.01	18.50	13.80	0.02
		62	28.10	22.00	0.02	25.00	20.40	0.02	21.50	18.60	0.02	17.60	16.70	0.03	14.60	14.60	0.11
	800	72	45.50	22.30	0.00	42.50	20.90	0.01	38.90	19.40	0.02	34.70	17.70	0.02	30.00	15.80	0.03
		67	38.90	24.60	0.03	35.60	23.00	0.03	31.90	21.30	0.03	27.50	19.40	0.03	22.10	17.20	0.03
		62	32.70	26.70	0.03	29.40	25.10	0.03	25.60	23.20	0.04	21.40	21.10	0.05	18.30	18.30	0.16
	1000	72	49.90	24.70	0.03	46.70	23.40	0.04	42.90	21.80	0.04	38.30	20.00	0.04	33.10	18.00	0.05
		67	42.80	27.80	0.05	39.30	26.20	0.05	35.20	24.40	0.05	30.50	22.40	0.05	24.90	20.20	0.05
		62	36.20	30.80	0.05	32.70	29.10	0.06	28.80	27.20	0.06	24.90	24.90	0.09	21.60	21.60	0.21
3014 3017	750	72	49.30	23.90	0.00	45.70	22.20	0.00	41.50	20.20	0.00	36.60	18.10	0.01	30.60	15.60	0.01
		67	41.80	25.50	0.02	38.00	23.50	0.02	33.30	21.30	0.02	27.90	18.80	0.02	21.70	16.20	0.02
		62	34.70	26.70	0.02	30.40	24.50	0.02	25.70	22.10	0.02	20.70	19.70	0.03	17.00	17.00	0.12
	1000	72	57.80	28.10	0.00	53.60	26.20	0.01	48.70	24.00	0.02	43.20	21.70	0.03	36.70	19.10	0.03
		67	49.10	30.50	0.04	44.70	28.40	0.04	39.70	26.00	0.04	33.40	23.30	0.04	26.10	20.20	0.04
		62	41.10	32.60	0.04	36.50	30.30	0.04	31.10	27.70	0.05	25.50	24.90	0.06	21.50	21.50	0.17
	1250	72	64.10	31.40	0.03	59.60	29.40	0.04	54.20	27.10	0.05	48.10	24.60	0.05	41.20	21.90	0.06
		67	54.60	34.60	0.06	49.80	32.40	0.06	44.30	29.90	0.06	37.90	27.10	0.06	29.80	23.80	0.06
		62	45.90	37.70	0.06	41.10	35.30	0.06	35.50	32.60	0.07	29.60	29.60	0.09	25.40	25.40	0.21
3614 3617 3619 3621	900	72	54.00	26.20	0.00	50.10	24.40	0.00	45.60	22.40	0.01	40.50	20.20	0.02	34.30	17.60	0.02
		67	45.80	28.20	0.03	41.70	26.20	0.03	37.00	23.90	0.03	31.20	21.30	0.03	24.50	18.50	0.03
		62	38.30	30.00	0.03	33.90	27.70	0.03	28.80	25.20	0.03	23.50	22.50	0.05	19.50	19.50	0.14
	1200	72	62.00	30.30	0.02	57.70	28.40	0.03	52.50	26.20	0.04	46.70	23.80	0.05	40.10	21.10	0.05
		67	52.80	33.30	0.06	48.20	31.10	0.06	42.90	28.70	0.06	36.70	26.00	0.06	29.00	22.80	0.06
		62	44.30	36.10	0.06	39.70	33.80	0.06	34.20	31.10	0.07	28.50	28.20	0.09	24.30	24.30	0.20
	1500	72	68.10	33.60	0.06	63.40	31.70	0.07	57.90	29.40	0.07	51.40	26.80	0.08	44.20	24.00	0.08
		67	58.20	37.60	0.08	53.20	35.40	0.08	47.40	32.80	0.09	40.70	30.00	0.09	32.70	26.70	0.09
		62	49.00	41.40	0.09	44.10	39.00	0.09	38.60	36.30	0.10	33.10	33.10	0.13	28.50	28.50	0.25
4221 4224	1050	72	65.80	31.90	0.00	60.70	29.50	0.00	54.90	26.90	0.01	48.30	24.00	0.02	41.10	21.00	0.03
		67	55.50	34.00	0.03	50.20	31.30	0.03	44.30	28.50	0.03	37.60	25.50	0.04	29.40	22.00	0.04
		62	46.10	35.80	0.04	40.70	32.90	0.04	34.70	29.90	0.04	28.00	26.70	0.05	23.10	23.10	0.14
	1400	72	76.30	37.30	0.00	70.60	34.60	0.03	64.00	31.70	0.04	56.30	28.50	0.05	47.70	25.00	0.06
		67	64.70	40.40	0.06	58.70	37.50	0.06	51.70	34.20	0.07	44.00	30.80	0.07	35.00	27.10	0.07
		62	53.90	43.20	0.07	47.70	40.10	0.07	41.10	36.90	0.07	34.20	33.40	0.09	28.90	28.90	0.19
	1750	72	84.60	41.60	0.05	78.50	38.90	0.07	71.30	35.80	0.07	62.80	32.40	0.08	53.10	28.50	0.09
		67	72.00	45.90	0.09	65.40	42.80	0.09	57.80	39.40	0.09	49.00	35.60	0.09	39.60	31.70	0.10
		62	60.20	49.80	0.10	53.50	46.50	0.10	46.40	43.00	0.10	39.40	39.40	0.12	34.00	34.00	0.24
4817 4821 4823 4824	1200	72	69.10	33.50	0.00	64.20	31.30	0.00	58.60	28.70	0.01	52.00	25.90	0.02	44.70	22.90	0.03
		67	58.60	36.10	0.03	53.50	33.60	0.03	47.60	30.70	0.03	40.90	27.70	0.04	33.00	24.30	0.04
		62	49.00	38.40	0.04	43.60	35.60	0.04	37.60	32.60	0.04	30.90	29.30	0.05	25.60	25.60	0.13
	1600	72	79.70	39.00	0.01	74.40	36.60	0.03	68.10	33.90	0.04	60.70	30.80	0.05	52.10	27.40	0.05
		67	68.00	42.90	0.06	62.30	40.20	0.06	55.50	37.10	0.06	47.70	33.70	0.06	38.90	30.00	0.06
		62	57.10	46.40	0.06	51.00	43.40	0.06	44.30	40.20	0.07	37.40	36.70	0.08	32.00	32.00	0.18
	2000	72	87.60	43.30	0.05	81.90	40.90	0.06	75.20	38.10	0.07	67.20	34.90	0.07	57.80	31.20	0.08
		67	75.00	48.50	0.08	68.80	45.70	0.08	61.60	42.50	0.09	53.00	38.80	0.09	43.30	34.90	0.09
		62	63.20	53.40	0.09	56.80	50.30	0.09	49.70	46.80	0.10	42.80	42.80	0.13	37.40	37.40	0.24
6021 6024 6025	1600	72	93.30	45.30	0.00	86.10	41.80	0.00	77.80	38.00	0.00	68.60	33.90	0.01	58.40	29.60	0.02
		67	78.70	47.90	0.02	71.20	44.00	0.03	62.90	40.00	0.03	53.20	35.60	0.03	41.70	30.60	0.03
		62	65.30	50.10	0.03	57.70	46.00	0.03	48.80	41.60	0.03	39.30	36.90	0.04	32.00	32.00	0.12
	2000	72	106.40	51.70	0.00	98.30	47.90	0.00	89.00	43.70	0.02	78.40	39.10	0.03	66.70	34.30	0.04
		67	90.00	55.40	0.04	81.50	51.20	0.05	71.90	46.60	0.05	61.20	41.80	0.05	48.40	36.40	0.05
		62	74.80	58.60	0.05	66.10	54.10	0.05	56.70	49.50	0.05	46.20	44.30	0.06	38.40	38.40	0.16
	2400	72	117.00	57.10	0.00	108.30	53.10	0.03	98.20	48.60	0.04	86.60	43.70	0.05	73.40	38.50	0.06
		67	99.20	61.90	0.06	90.00	57.40	0.06	79.50	52.50	0.07	67.60	47.30	0.07	54.20	41.70	0.07
		62	82.70	66.20	0.07	73.20	61.40	0.07	63.00	56.40	0.07	52.30	51.00	0.09	44.10	44.10	0.19

Legend:

CFM – Cubic Ft. per Minute **EWB** – Entering Wet Bulb (°F) **LWB** – Leaving Wet Bulb (°F) **TC** – Gross Cooling Capacity 1000 Btuh
SHC – Gross Sensible Capacity 1000 Btuh **BF** – Bypass Factor **MBH** – 1000 Btuh

See notes on page 6.

NOTES:

1. Contact manufacturer for cooling capacities at conditions other than shown in table.
2. Formulas:
 Leaving db = entering db - $\frac{\text{sensible heat cap.}}{1.09 \times \text{CFM}}$
 Leaving wb = wb corresponding to enthalpy of air leaving coil (h_{LWB})

$$h_{LWB} = h_{EWB} - \frac{\text{total capacity (Btuh)}}{4.5 \times \text{CFM}}$$
 Where h_{EWB} = enthalpy of air entering coil
3. SHC is based on 80°F db temperature of air entering the evaporator coil.
 Below 80°F db, subtract (Correction Factor x CFM) from SHC.
 Above 80°F db, add (Correction Factor x CFM) to SHC.
4. Direct interpolation is permissible. Do not extrapolate.
5. Fan motor heat has not been deducted.
6. All data points are based on 10°F superheat leaving coil and use of thermostatic expansion valve (TXV) device.
7. All units have sweat suction-tube connection and a liquid-tube connection. For 1-1/8-in. system suction tube, 3/4 x 1-1/8-in. suction tube connection adapter is available as accessory.
8. The CAPMP coils can be used in any properly designed system using R-410A refrigerant.
9. The CARMP coils can be used in any properly designed system using R-22 refrigerant.
10. Before using maximum cfm shown in table, check coil static pressure drop to ensure system blower can provide necessary static pressure needed for coil and duct systems.
11. Bypass Factor = 0 indicates no psychometric solution. Use bypass factor of next lower EWB for approximation.

BYPASS FACTOR	ENTERING AIR DRY BULB TEMPERATURE (°F)					
	79	78	77	76	75	Under 75
	81	82	83	84	84	Above 85
Correction Factor						
0.10	0.98	1.96	2.94	3.92	4.91	Use formula shown below
0.20	0.87	1.74	2.62	3.49	4.36	
0.30	0.76	1.53	2.29	3.05	3.82	

Interpolation is permissible.

Correction Factor = $1.09 \times (1 - \text{BF}) \times (\text{db} - 80)$

PERFORMANCE DATA (CONT.)

COIL STATIC PRESSURE DROP (in. w.c.) R-410A and R-22 REFRIGERANTS

UNIT SIZE	STANDARD CFM																		
	400	500	600	700	800	900	1000	1100	1200	1300	1400	1500	1600	1700	1800	1900	2000	2100	2200
1814	Dry																		
	0.079	0.111	0.145	0.186	0.232														
2414	Wet																		
	0.083	0.116	0.151	0.196	0.243														
2417	Dry																		
	0.065	0.091	0.120	0.154	0.194	0.237	0.284												
3014	Wet																		
	0.066	0.094	0.124	0.161	0.203	0.250	0.301												
3017	Dry																		
	0.056	0.076	0.097	0.123	0.151	0.182	0.215												
3614	Wet																		
	0.060	0.082	0.105	0.132	0.163	0.195	0.231												
3617	Dry																		
	0.054	0.077	0.102	0.133	0.167	0.206	0.248	0.296	0.347										
3619	Wet																		
	0.059	0.084	0.111	0.142	0.181	0.223	0.269	0.319	0.375										
3621	Dry																		
	0.043	0.059	0.077	0.096	0.119	0.144	0.171	0.201	0.232										
4221	Wet																		
	0.046	0.063	0.083	0.105	0.130	0.157	0.186	0.219	0.252										
4224	Dry																		
	0.047	0.069	0.093	0.119	0.151	0.187	0.227	0.270	0.317	0.362	0.418								
4817	Wet																		
	0.053	0.076	0.101	0.129	0.162	0.200	0.241	0.286	0.335	0.388	0.447								
4821	Dry																		
	0.023	0.036	0.052	0.069	0.089	0.110	0.135	0.160	0.189	0.219	0.251								
4823	Wet																		
	0.042	0.058	0.076	0.095	0.117	0.142	0.169	0.198	0.231	0.265	0.299								
6021	Dry																		
							0.133	0.154	0.177	0.203	0.227								
6024	Wet																		
							0.139	0.163	0.189	0.216	0.245								
6025	Dry																		
	0.026	0.037	0.050	0.062	0.077	0.092	0.109	0.128	0.148	0.170	0.193								
6025	Wet																		
	0.029	0.040	0.053	0.065	0.082	0.099	0.119	0.138	0.160	0.185	0.209								
6025	Dry																		
			0.044	0.056	0.068	0.082	0.099	0.119	0.138	0.161	0.183	0.205	0.233						
6025	Wet																		
			0.058	0.073	0.089	0.106	0.125	0.143	0.165	0.189	0.213	0.239	0.268						
6025	Dry																		
			0.039	0.049	0.060	0.072	0.085	0.099	0.114	0.130	0.146	0.164	0.182						
6025	Wet																		
			0.054	0.066	0.079	0.092	0.103	0.125	0.142	0.161	0.182	0.202	0.222						
6025	Dry																		
			0.065	0.082	0.105	0.128	0.156	0.185	0.216	0.253	0.290	0.331	0.372	0.417	0.464				
6025	Wet																		
			0.066	0.084	0.106	0.130	0.159	0.188	0.222	0.256	0.296	0.337	0.379	0.425	0.476				
6025	Dry																		
			0.055	0.072	0.089	0.107	0.128	0.150	0.175	0.199	0.228	0.257	0.288	0.321	0.356				
6025	Wet																		
			0.058	0.075	0.094	0.115	0.136	0.161	0.188	0.217	0.247	0.279	0.313	0.347	0.386				
6025	Dry																		
										0.192	0.219	0.245	0.273	0.303					
6025	Wet																		
										0.196	0.225	0.253	0.283	0.314					
6025	Dry																		
			0.044	0.056	0.069	0.084	0.100	0.118	0.137	0.159	0.180	0.198	0.222	0.247	0.275				
6025	Wet																		
			0.052	0.065	0.080	0.095	0.112	0.131	0.150	0.171	0.193	0.214	0.241	0.270	0.296				
6025	Dry																		
					0.075	0.093	0.112	0.133	0.157	0.181	0.206	0.234	0.264	0.294	0.326	0.360	0.396	0.432	0.478
6025	Wet																		
					0.077	0.095	0.115	0.137	0.159	0.184	0.209	0.238	0.268	0.300	0.334	0.370	0.407	0.444	0.488
6025	Dry																		
					0.073	0.083	0.095	0.107	0.120	0.136	0.152	0.169	0.184	0.203	0.217	0.238	0.260	0.283	0.307
6025	Wet																		
					0.076	0.086	0.098	0.110	0.124	0.140	0.157	0.175	0.193	0.215	0.238	0.261	0.286	0.314	0.342
6025	Dry																		
													0.232	0.256	0.283	0.308	0.335	0.363	
6025	Wet																		
													0.236	0.291	0.321	0.354	0.386	0.419	

CAPMP / CARMP