

BILTMORE SERIES 900 Pressure Balancing Mixing Valves / Model 3

Product Specification

Description ■

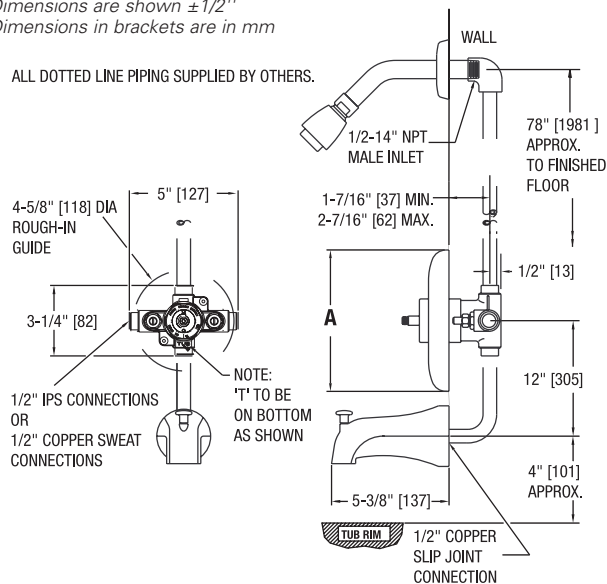
Concealed, 4-port, pressure balancing water mixing valve for use in shower and tub/shower applications. Cast-brass body features diaphragm-type pressure balancing mechanism. Internal parts constructed of lime-resistant Delrin 500® for years of trouble-free service. Built-in adjustable temperature limit stop reduces the chance of thermal shock from overadjustment of handle. Cast-in checkstops reduce installation time. Unique construction allows for shallow wall installation — in as little as 51mm (2"). Back-to-back installation possible in only 102 mm (4") without costly cross-piping.

Specifications ■

| | |
|---------------------------------|--|
| Inlet Connections | |
| Type G | 1/2" NPT Inlets and Outlets |
| Type H | 1/2" Sweat End Inlets and Outlets |
| Capacity | 15 L/min @ 310 kPa (4.6 gpm @ 45psi differential) |
| Maximum Static Pressure | 862 kPa [125psig] |
| Maximum Inlet Temperature | 82°C [180°F] |
| Handle Rotation Stop | Standard and Adjustable |
| Shipping Weight | Approx. 1.44 kg [3.2 lbs.] |
| Approval Standard | CSA B125, ASSE 1016 |
| Listing | ASSE 1016, IAPMO cUPC |

Dimensions: Tub and Shower Installation ■

Note:
Dimensions are shown ±1/2"
Dimensions in brackets are in mm



Powers continues to strive for improved quality in product performance and, therefore, reserves the right of price, product or design modification without notice or obligation.

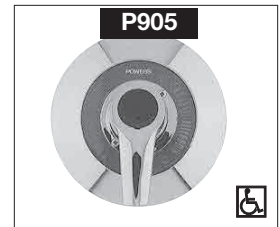
NOTICE

The information contained herein is not intended to replace the full product installation and safety information available or the experience of a trained product installer. You are required to thoroughly read all installation instructions and product safety information before beginning the installation of this product.



Valve trim features:

- Polished stainless steel faceplate
- ADA-compliant metal lever handle for easy adjustment *



Valve trim features:

- Chrome-plated ABS faceplate with color graphic insert for temperature indication
- Stylish ABS lever handle complies with ADA for easy adjustment *



Valve trim features:

- Chrome-plated ABS faceplate with color graphic insert for temperature indication
- Stylish lucite handle enhances any installation



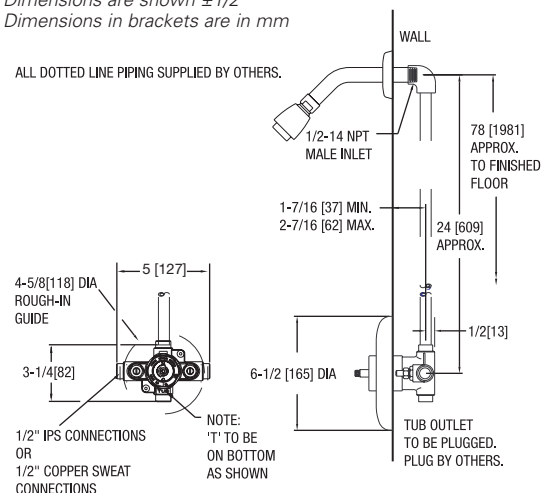
Valve trim features:

- Chrome-plated ABS faceplate with color graphic insert for temperature indication
- ADA-compliant metal lever handle provides easy adjustment *



Dimensions: Shower Only Installation ■

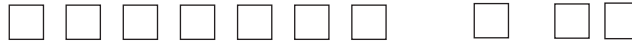
Note:
Dimensions are shown ±1/2"
Dimensions in brackets are in mm



* Note: When used together, Powers lever handle and hand shower with glidebar meet ADA compliance standards. For complete ADA-required heights and other information on installing an ADA-compliant bathing system, refer to the ADAAG (Americans with Disabilities Act Accessibility Guidelines).

How To Specify ■

Shower and Tub/Shower Systems for Series 900 Valves



Order Code

Valves

See front page for selection of valve order code

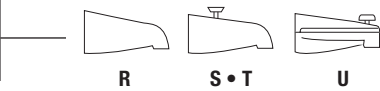
Showerheads, Arm and Flange

Below showerheads include arm and flange:

- Economizer, Chrome-Plated ABS..... **J1**
- Standard, Chrome-Plated Brass..... **K1**
- Deluxe, Chrome-Plated Brass..... **M1**
- Low Flow Shower (1.5 gpm), Arm & Flange..... **G1**
- Low Flow Shower (1.5 gpm), Arm & Flange..... **H1**
- Arm and Flange Only (no showerhead)..... **O1**
- Economizer, Arm
& Flange & Hi-Temp Shutoff..... **J4**
- Standard Arm & Flange & Hi-Temp Shutoff..... **K4**
- Deluxe Arm & Flange & Hi-Temp Shutoff..... **M4**
- Low Flow (1.5 gpm) Shower,
Arm & Flange & Hi-Temp Shutoff..... **G4**
- Low Flow (1.5gpm) Shower,
Arm & Flange & Hi-Temp Shutoff..... **H4**

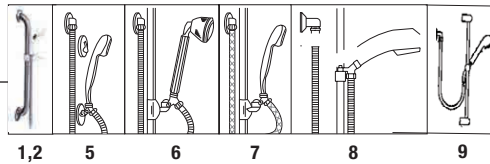
Tub Spouts

- Non-Diverter, Chrome-Plated 1/2" IPS..... **R**
- Diverter, Chrome-Plated 1/2" IPS..... **S**
- Diverter, Chrome-Plated 1/2" Slipfit..... **U**



Hand Shower Systems

- 24" Chrome ADA Wall Grab Bar System..... **1**
- 36" Chrome ADA Wall Grab Bar System..... **2**
- Deluxe, Metal Hose, 30" Slide Bar..... **3**
- Professional, Vinyl Hose, 30" Slide Bar..... **4**
- Standard, Metal Hose, Two Wall Hooks..... **5**
- Deluxe, Metal Hose, 24" Slide Bar..... **6**
- Professional, Vinyl Hose, 24" Slide Bar..... **7**
- Standard Plus, Metal Hose, 24" Slide Bar..... **8**
- European, Metal Hose, 23" Slide Bar..... **9**
- Low Flow (1.5 gpm) Metal Hose, 30" Glide Rail..... **L**
- Professional, Metal Hose, 30" Glide Rail..... **N**



Miscellaneous Accessories

- Vacuum Breaker, Elevated, Chrome-Plated..... **V**
- Vacuum Breaker, In-Line..... **W**
- Diverter, Concealed, Metal Handle, 1/2" Sweat..... **Y**
- Diverter, Concealed, Deluxe ABS Handle, 1/2" Sweat... **A**
- Diverter, Concealed, Deluxe Metal Handle, 1/2" Sweat... **B**
- Diverter, Exposed, Showerhead Type..... **Z**

ENGINEERING APPROVAL

Project: _____
 Contractor: _____
 Architect/Engineer: _____



A Watts Water Technologies Company

Tel: (800) 669-5430 • Fax: (847) 229-0526 • PowersControls.com
 Tel: (905) 332-4090 • Fax: (905) 332-7068 • PowersControls.ca
 (52) 81-1001-8600 • Fax: (52) 81-8000-7091 • PowersControls.com