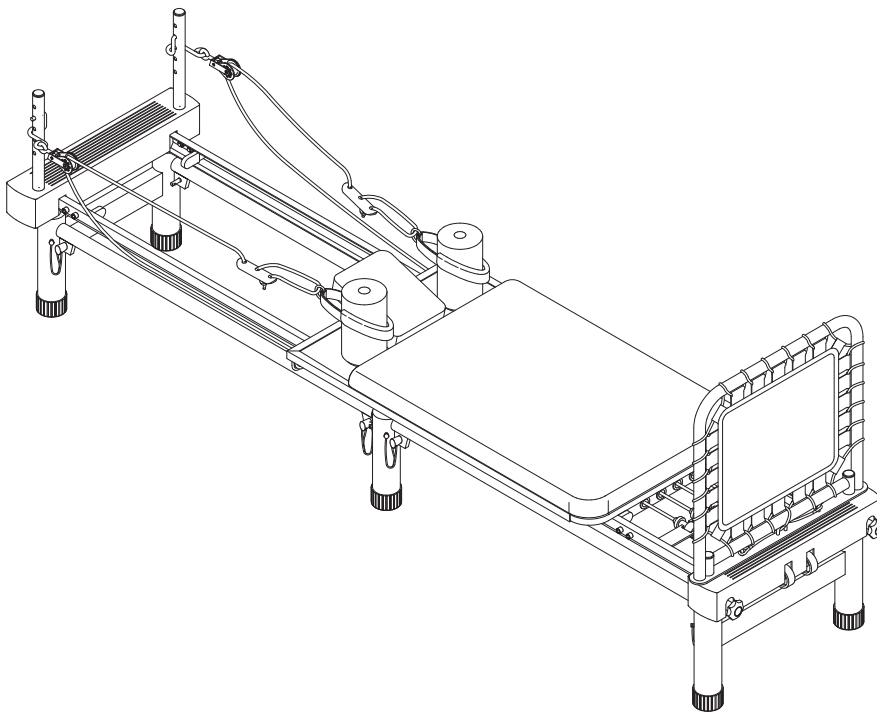


AeroPilates

LESS STRESS | MORE HEART

Reformer 651

Owner's Manual



Product May Vary Slightly From Pictured.

CAUTION:

Weight on this product should not exceed 300 lbs.

This Product is Distributed Exclusively by



2040 N Alliance Ave, Springfield, MO 65803

Customer Care

1 (800) 375-7520

www.staminaproducts.com

⚠ WARNING

Exercise can present a health risk. Consult a physician before beginning any exercise program with this equipment. If you feel faint or dizzy, immediately discontinue use of this equipment. Serious bodily injury can occur if this equipment is not assembled and used correctly. Serious bodily injury can also occur if all instructions are not followed. Keep others and pets away from equipment when in use. Always make sure all bolts and nuts are securely tightened prior to each use. Follow all safety instructions in this manual.

When calling for parts or service, please specify the following numbers:

Model#: 55-4651A

S/N: _____

United States and/or International patents apply and/or are pending. See www.staminaproducts.com for details.

**STAMINA PRODUCTS
MADE IN CHINA**

© 2019 Stamina Products, Inc.
2019, 02

ACCESS DIGITAL VERSIONS
OF YOUR WORKOUT DVDS,
PLUS GET AN ADDITIONAL
FREE, ONLINE WORKOUT!

How to Access Your Videos

1. Go to video.staminaproducts.com
2. Click 
3. Enter your product VIDEO CODE

*Your **video code** is the model number + serial number. This info can be found on the serial decal.*

**EXAMPLE ONLY. USE MODEL NUMBER + SERIAL NUMBER FROM THE DECAL ON YOUR PRODUCT.*



Coupon Code*

15-033601JAN351450

REDEEM

Digital product only. No physical DVD will be shipped.

TABLE OF CONTENTS

Safety Instructions	3	Conditioning Guidelines	19
Before You Begin	5	Warm-Up and Cool-Down	20
Equipment Warning, Caution & Notice Labels ...	6	Warranty	21
Hardware Identification Chart	7	Product Parts Drawing	22
Assembly Instructions	8	Parts List	23
Operational Instructions	13	Notes	25
Storage	18	Fax/Mail Ordering Form	26
Maintenance	18		

SAFETY INSTRUCTIONS

- ⚠ WARNING** Cancer and Reproductive Harm www.P65Warnings.ca.gov
- ⚠ WARNING** Consult your physician before starting this or any exercise program. This is especially important if you are over the age of 35, have never exercised before, are pregnant, or suffer from any health problem. This product is for home use only. Do not use in institutional or commercial applications. Failure to follow all warnings and instructions could result in serious injury or death.
- ⚠ CAUTION** The Tension Cords(9) and Bungee Cord(47) contain natural rubber latex which may cause allergic reactions.
- ⚠ WARNING** To reduce the risk of serious injury, read the following Safety Instructions before using the **AeroPilates® Reformer 651**.

1. Save these instructions and ensure that other exercisers read this manual prior to using the **AeroPilates® Reformer 651** for the first time.
2. Read all warnings and cautions posted on the **AeroPilates® Reformer 651**.
3. The **AeroPilates® Reformer 651** should only be used after a thorough review of the Owner's Manual. Make sure that it is properly assembled and tightened before use.
4. We recommend that two people be available for assembly of this product.
5. Make sure that all eight Pull Pins(54) are fully inserted before using the **AeroPilates® Reformer 651**.
6. When exercising on this product, do not exercise at an intensity that causes the product itself to move. This could result in damage to your joints and to the product.
7. Keep children away from the **AeroPilates® Reformer 651**. Do not allow children to use or play on the **AeroPilates® Reformer 651**. Keep children and pets away from the **AeroPilates® Reformer 651** when it is in use.
8. It is recommended that you place this exercise equipment on an equipment mat.
9. Set up and operate the **AeroPilates® Reformer 651** on a solid level surface. Do not position the **AeroPilates® Reformer 651** on loose rugs or uneven surfaces.
10. Make sure that adequate space is available for access to and around the **AeroPilates® Reformer 651**.
11. Before using, inspect the **AeroPilates® Reformer 651** for worn or loose components, and tighten or replace any worn or loose components prior to use.
12. When folding or unfolding the **AeroPilates® Reformer 651**, keep all children away from the **AeroPilates® Reformer 651** and make sure your hands are clear of any folding or pinch point.
13. Consult a physician prior to commencing an exercise program and follow his/her recommendations in developing your fitness program. If at any time during exercise you feel faint, dizzy, or experience pain, stop and consult your physician.
14. Always choose the workout which best fits your physical strength and flexibility level. Know your limits and train within them. Always use common sense when exercising.
15. Do not wear loose or dangling clothing while using the **AeroPilates® Reformer 651**.
16. Be careful to maintain your balance while using, mounting, dismounting, or assembling the **AeroPilates® Reformer 651**. Loss of balance may result in a fall and bodily injury.
17. The **AeroPilates® Reformer 651** should not be used by persons weighing over 300 pounds.
18. The **AeroPilates® Reformer 651** should be used by only one person at a time.
19. The **AeroPilates® Reformer 651** is for consumer use only. It is not for use in public or semipublic facilities.

EXTEND YOUR PARTS WARRANTY TO 180 DAYS FROM THE DATE OF PURCHASE. REGISTER YOUR PRODUCT.



**NEED HELP?
CONTACT US FIRST
1 (800) 375-7520
customer.care@staminaproducts.com**

Hi! From all of us here at Stamina Products, thank you for your purchase. We know that you have big fitness goals in mind and we are here to help you along. Call us, email us, or send us a message on Facebook. Be sure to contact us if you have any questions on your new product. We look forward to hearing from you!

With your body in mind,
Stamina Customer Care

To enact your extended warranty and to help us better serve you, please go online and register your new product.

register.staminaproducts.com

It is quick and easy to register online, but if you're a little old school or just need a reason to raise that little flag on your mailbox, fill out the info on the last page of this manual and mail it in.



ONLINE

customer.care@staminaproducts.com
www.staminaproducts.com



TELEPHONE

1 (800) 375-7520



FAX

(417) 889-8064



MAIL

Stamina Products, Inc.
ATTN: Customer Care
2040 N Alliance Ave
Springfield, MO 65803

 facebook.com/StaminaProducts
facebook.com/AeroPilates

CUSTOMER CARE HOURS:
Monday-Thursday, 7:30 AM-5:00 PM, Central Time
Friday, 8:00 AM-3:00 PM, Central Time

BEFORE YOU BEGIN

Thank you for choosing the **AeroPilates® Reformer 651**. We take great pride in producing this quality product and hope it will provide many hours of quality exercise to make you feel better, look better, and enjoy life to its fullest.

It's a proven fact that a regular exercise program can improve your physical and mental health. Too often, our busy lifestyles limit our time and opportunity to exercise. The **AeroPilates® Reformer 651** provides a convenient and simple method to begin your journey of getting your body in shape and achieving a happier and healthier lifestyle.

Before reading further, please review the drawing below and familiarize yourself with the parts that are labeled. Locate the serial decal on the product and write the serial number on the cover of the manual in the space provided. See page 5 for an image of the serial decal. Model number and serial number are required when

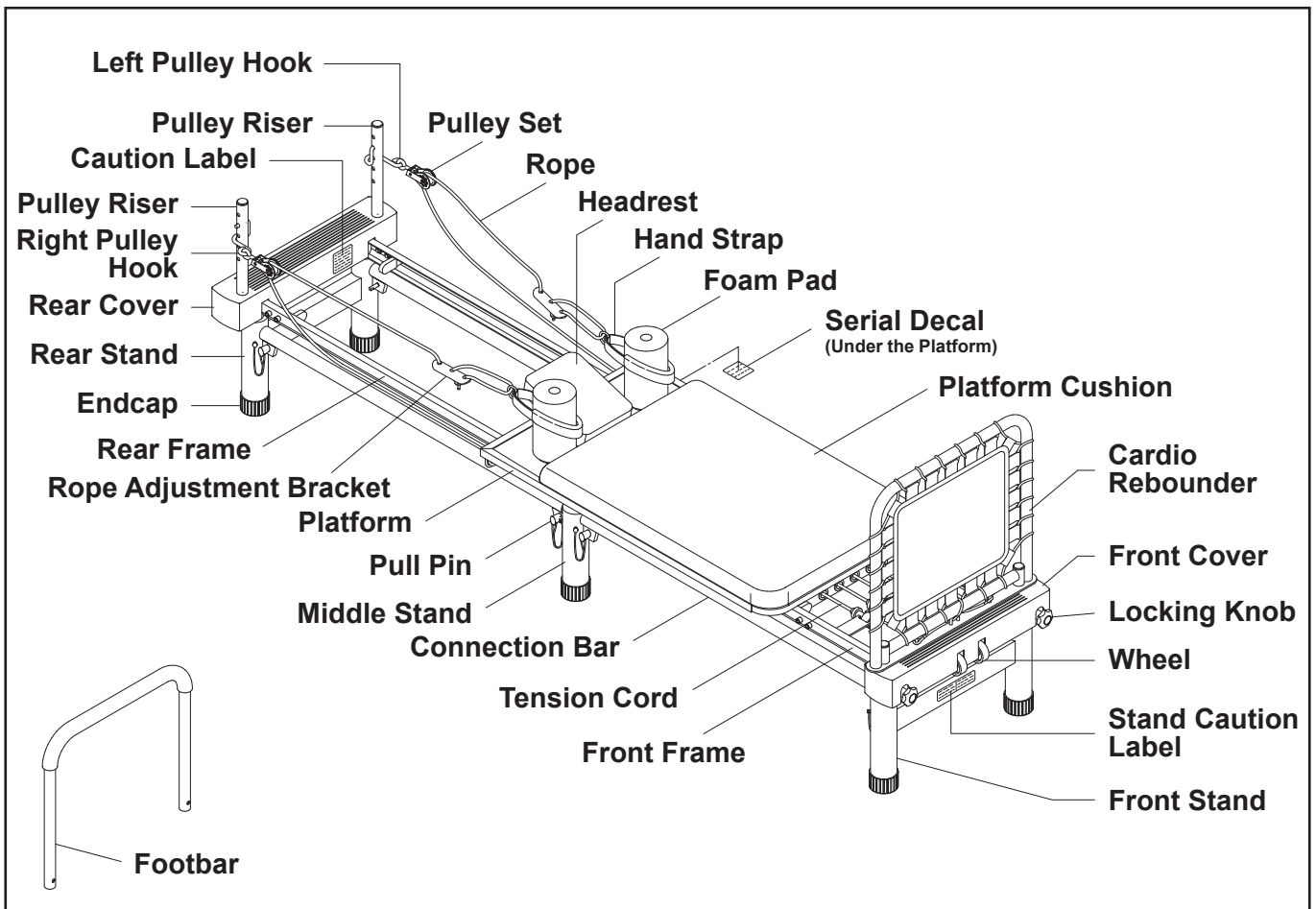
calling for assistance.

Read this manual carefully before using the **AeroPilates® Reformer 651**.

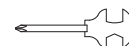
Although Stamina constructs its products with the finest materials and uses the highest standards of manufacturing and quality control, there can sometimes be missing parts or incorrectly sized parts. If you have any questions or problems with the parts included with your **AeroPilates® Reformer 651**, please do not return the product. Contact us **FIRST!**

If a part is missing or defective, please contact Customer Care for assistance. Call us toll free at 1-800-375-7520 (in the U.S.) or live chat on staminaproducts.com. Our Customer Care Staff is available to assist you from 7:30 A.M. to 5:00 P.M. (Central Time) Monday through Thursday and 8:00 A.M. to 3:00 P.M. (Central Time) on Friday.

Be sure to have the name and model number of the product available when you contact us.



THE FOLLOWING TOOLS ARE INCLUDED FOR ASSEMBLY:



Combination Wrench



Socket Wrench

EQUIPMENT WARNING, CAUTION & NOTICE LABELS

This chart is provided to help identify the warning, caution, and notice labels on the **AeroPilates® Reformer 651**. Please take a moment to familiarize yourself with all of the warning, caution, and notice labels.

STAND CAUTION LABEL(73)

 CAUTION	Keep others including children & pets away from equipment when in use.
For consumer use only. Failure to follow all warnings and instructions could result in injury or property damage. Before assembling or using this product, read and follow the Owner's Manual and all other warnings and instructions that accompany this product. Replace this caution label if damaged, illegible, or removed.	Consult your physician before starting this or any exercise program. This is especially important if you are over the age of 35 or have any pre-existing health condition. Always make sure all nuts and bolts are securely tightened before using this product. This product should not be used by person weighing more than 250 lbs. unless otherwise stated in your Owner's Manual.

CAUTION LABEL(70)

 CAUTION
For consumer use only. Failure to follow all warnings and instructions could result in injury or property damage. Before assembling or using this product, read and follow the Owner's Manual and all other warnings and instructions that accompany this product. Replace this caution label if damaged, illegible, or removed.
Keep others including children & pets away from equipment when in use.
Consult your physician before starting this or any exercise program. This is especially important if you are over the age of 35 or have any pre-existing health condition. Always make sure all nuts and bolts are securely tightened before using this product. This product should not be used by person weighing more than 250 lbs. unless otherwise stated in your Owner's Manual.

PINCH POINT CAUTION LABEL(72)

 CAUTION
PINCH POINT Keep hands clear when folding and unfolding unit.

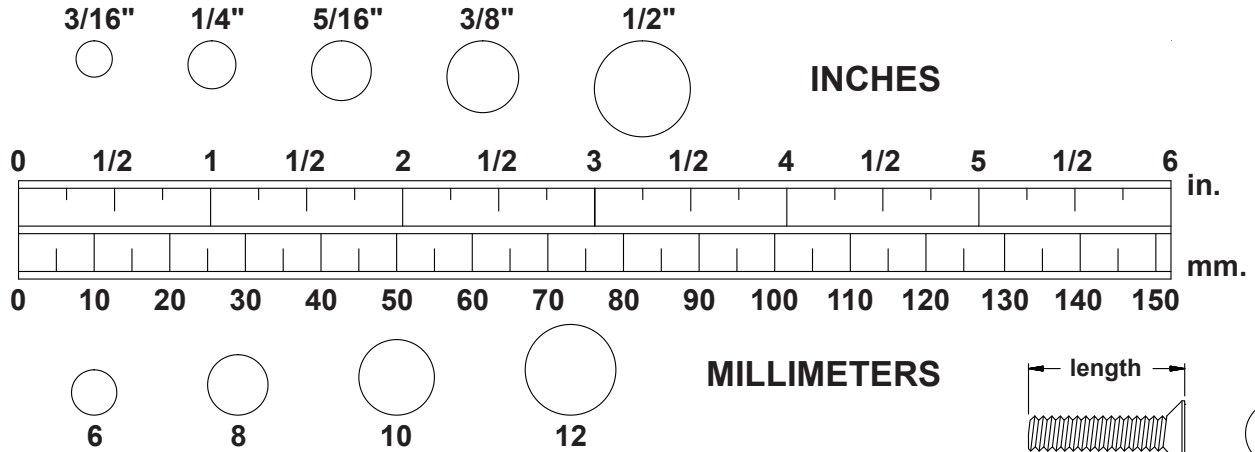
SERIAL DECAL(74)

GUARANTEED PERFORMANCE	
 Customer Care	
1 (800) 375-7520	
Mon-Thurs • 7:30am - 5pm, Fri • 8am - 3pm CST FAX: (417) 889-8064 • www.staminaproducts.com	
MADE IN CHINA	
United States and/or International patents apply and/or are pending. See www.staminaproducts.com for details.	
Model #	Serial #
55-4651A	

To best serve you, our Customer Care Representatives will need your serial number. For quick access, write in your serial number on the cover of the manual.

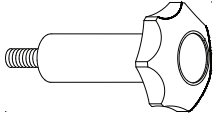
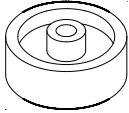
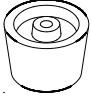
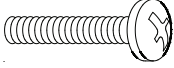
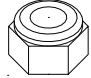
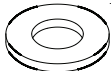
HARDWARE IDENTIFICATION CHART

This chart is provided to help identify the hardware used in the assembly process. Place the washers or the ends of the bolts or screws on the circles to check for the correct diameter. Use the small scale to check the length of the bolts and screws.



NOTICE: The length of all bolts and screws, except those with flat heads, is measured from below the head to the end of the bolt or screw. Flat head bolts and screws are measured from the top of the head to the end of the bolt or screw.

After unpacking the unit, open the hardware bag and make sure that you have all the following items. Some hardware may be already attached to the part.

	Part Number and Description	Qty
	23 Locking Knob	4
	24 Wheel	2
	25 Rubber Foot	4
	35 Screw, Round Head (M5 x 0.8 x 25mm)	4
	38 Nylock Nut (M8 x 1.25)	2
	42 Washer (M8)	6

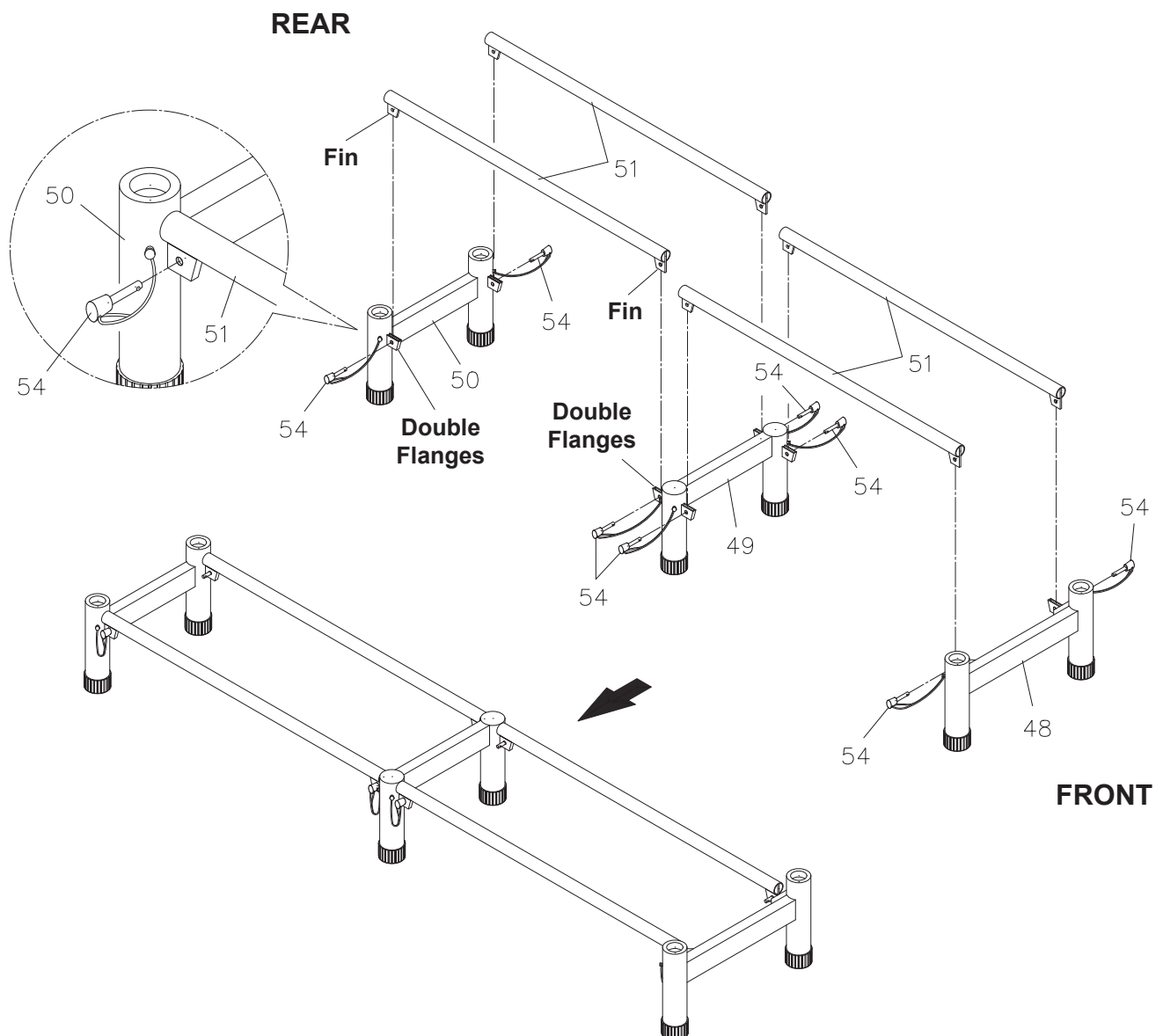
ASSEMBLY INSTRUCTIONS

Place all parts from the box in a cleared area and position them on the floor in front of you. Remove all packing materials from your area and place them back into the box. Do not dispose of the packing materials until assembly is completed. Read each step carefully before beginning. If you are missing a part, please go to staminaproducts.com under the Customer Care section and order the part needed, e-mail us at customer.care@staminaproducts.com, or call us toll free at 1-800-375-7520 (in the U.S.). Our Customer Care Staff is available to assist you from 7:30 A.M. to 5:00 P.M. (Central Time) Monday through Thursday and 8:00 A.M. to 3:00 P.M. (Central Time) on Friday.

Some product parts are fit tested at the factory to ensure proper fit and alignment. Marks in the paint may be noticeable, but are not an indication of damage.

STEP 1

Connect the **REAR STAND(50)**, the narrower one, to the **MIDDLE STAND(49)** with two **CONNECTION BARS(51)**, inserting the Fins on the **CONNECTION BARS(51)** into the gaps in the Double Flanges on the **STANDS(49, 50)**. Then lock the **CONNECTION BARS(51)** in the place by inserting the **PULL PINS(54)** through the Double Flanges. Repeat to connect the **FRONT STAND(48)** to the **MIDDLE STAND(49)**.



ASSEMBLY INSTRUCTIONS

STEP 2

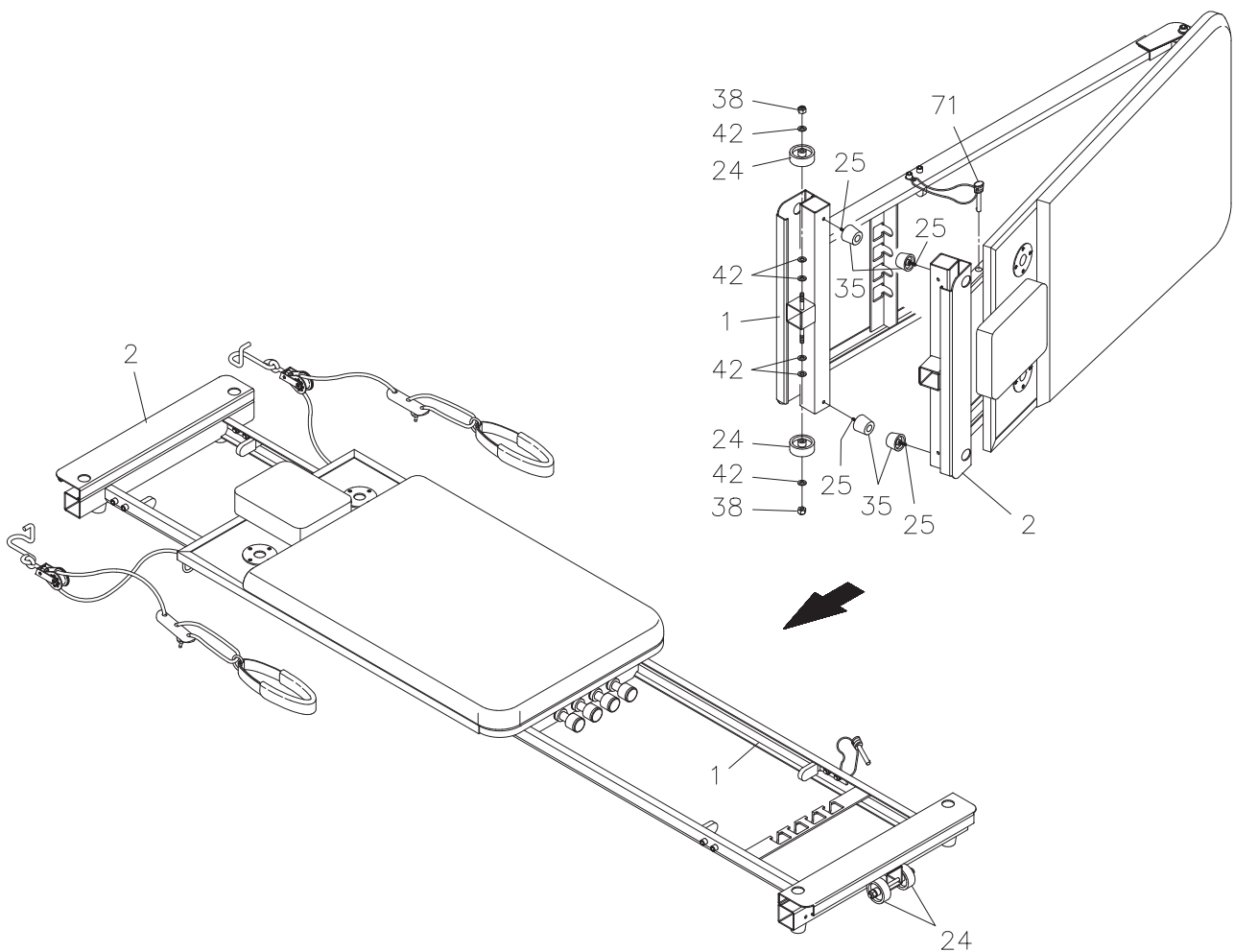
Remove your **AeroPilates® Reformer 651** from its packaging, placing the product on its side with the **LOCKING PIN(71)** side upward. Remove the **LOCKING PIN(71)** and unfold the **MAIN FRAME(1)** separating the half that has the attached **LOCKING PIN(71)**. When completed, the frame should form a “V” with the frame ends separated approximately three feet.

STEP 3

Attach the four **RUBBER FEET(25)** to the **FRONT FRAME(1)** and **REAR FRAME(2)** with **SCREWS (M5x0.8x25mm)(35)**. Attach the **WHEELS(24)** onto the **FRONT FRAME(1)** with **WASHERS(M8)(42)** and **NYLOCK NUTS(M8x1.25)(38)**.

STEP 4

Unfold your **AeroPilates® Reformer 651** to a flat position by moving the **FRONT FRAME(1)** away from the platform end of the product in a clockwise position until fully extended.



ASSEMBLY INSTRUCTIONS

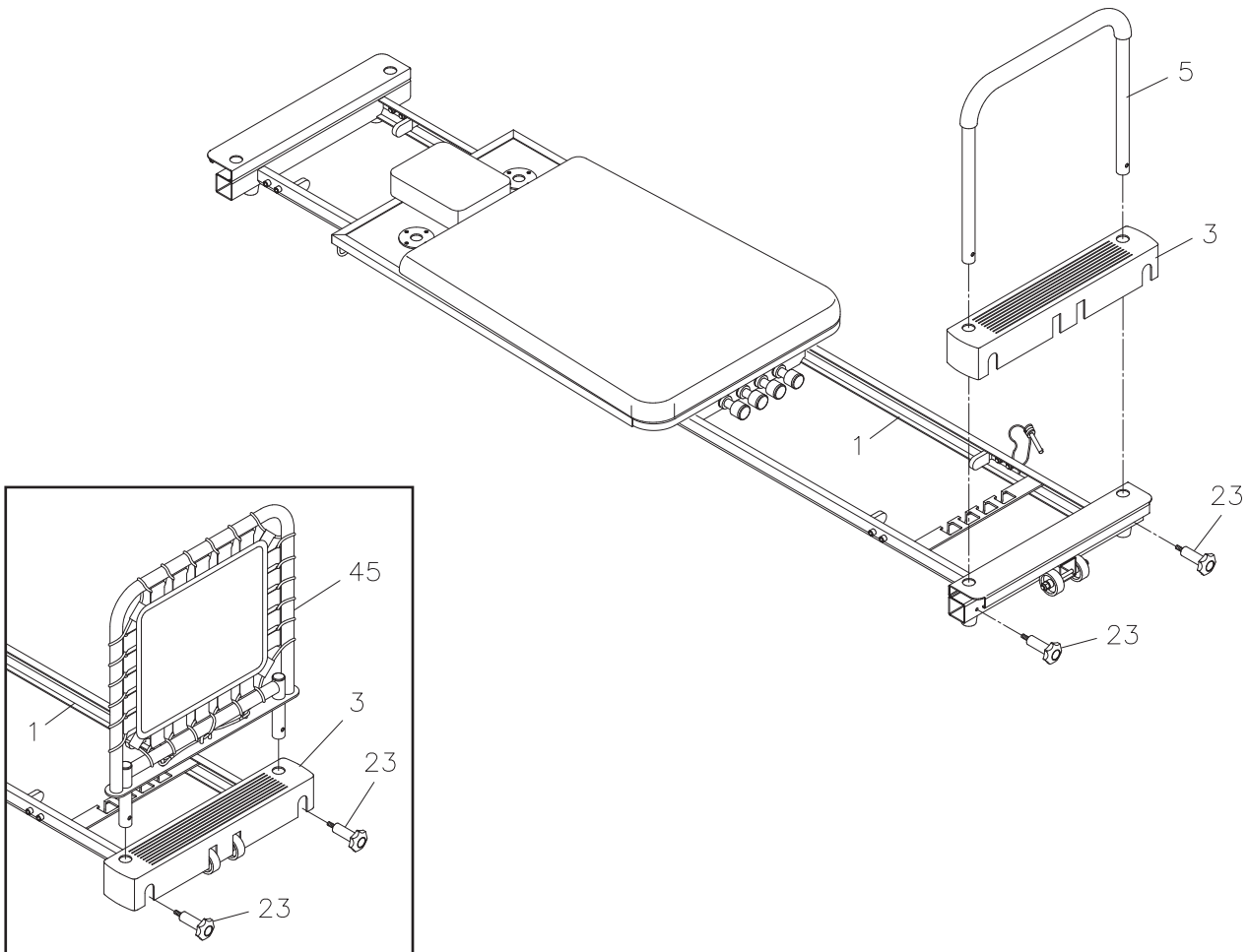
STEP 5

Remove the paper covering from the foam tape inside the **FRONT COVER(3)**. Place the **FRONT COVER(3)** over the **FRONT FRAME(1)** and press the cover securely into place.

STEP 6

Make sure that the threaded holes in the **FOOTBAR(5)** are facing toward the end of the **AeroPilates® Reformer 651** as shown in the illustration. Insert the **FOOTBAR(5)** into the mounting holes located in the **FRONT COVER(3)** and **FRONT FRAME(1)**. Insert the **FOOTBAR(5)** all the way to the bottom and lock it in place with the **LOCKING KNOBS(23)**.

NOTE: You can choose to insert the **CARDIO REBOUNDER(45)** into the **FRONT FRAME(1)** and lock in position with the **LOCKING KNOBS(23)**. Refer to the inset drawing.



ASSEMBLY INSTRUCTIONS

STEP 7

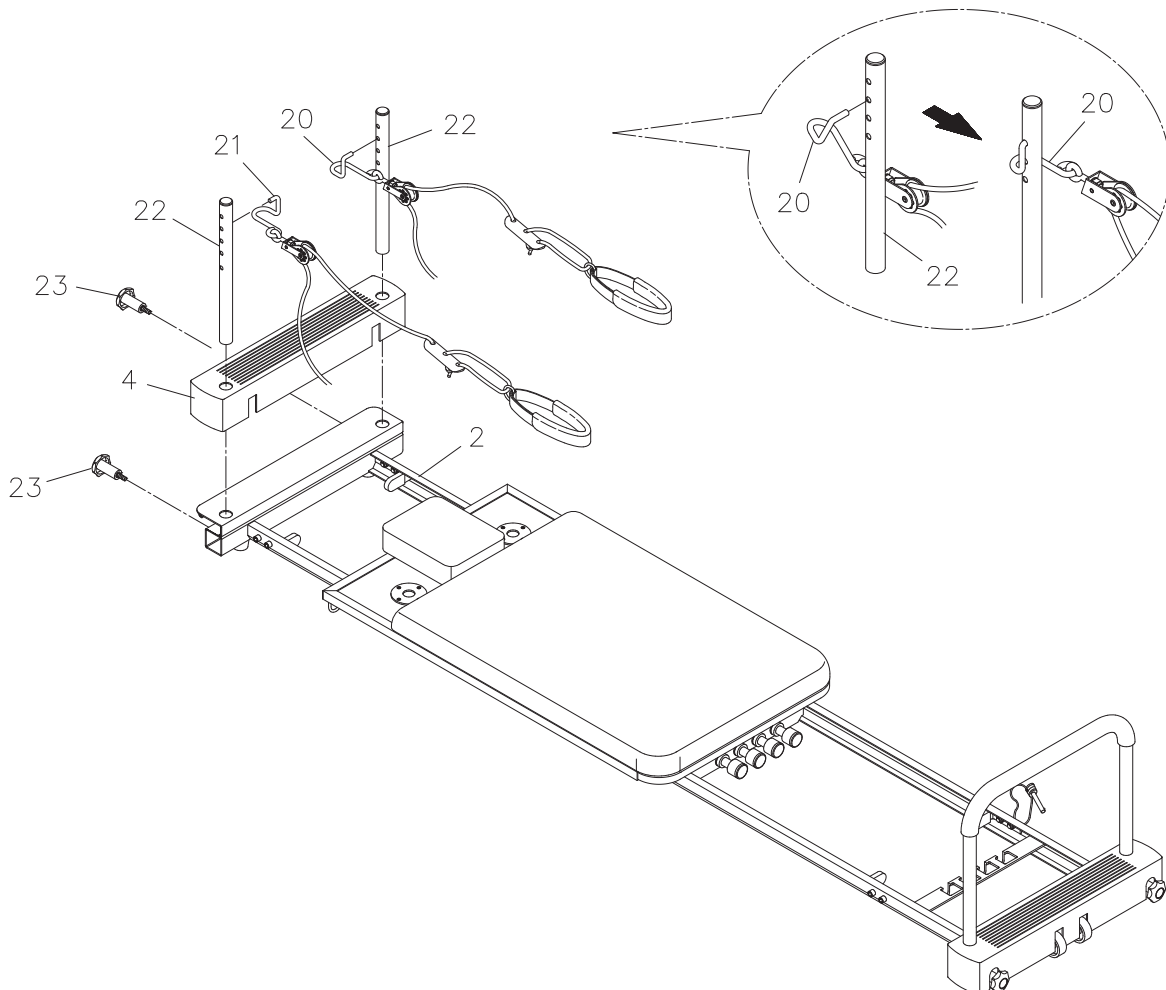
Remove the paper covering from the foam tape inside the **REAR COVER(4)**. Place the **REAR COVER(4)** over the **REAR FRAME(2)** and press the cover securely into place.

STEP 8

Insert the **PULLEY RISERS(22)** into the mounting holes in the **REAR COVER(4)** and **REAR FRAME(2)**. Insert the **PULLEY RISERS(22)** all the way to the bottom, align the threaded holes in the **PULLEY RISERS(22)** with the holes in the **REAR FRAME(2)**, and lock the **PULLEY RISERS(22)** in position with the **LOCKING KNOBS(23)**.

STEP 9

Refer to the detail drawing showing an enlarged view of the left **PULLEY RISER(22)** and the **LEFT PULLEY HOOK(20)**. With the pulley facing down, insert the **LEFT PULLEY HOOK(20)** into the left **PULLEY RISER(22)** from the inside as shown. Swing the pulley forward as shown and the **LEFT PULLEY HOOK(20)** will be in position for use. Use the same procedure to install the **RIGHT PULLEY HOOK(21)** on the right **PULLEY RISER(22)**.



ASSEMBLY INSTRUCTIONS

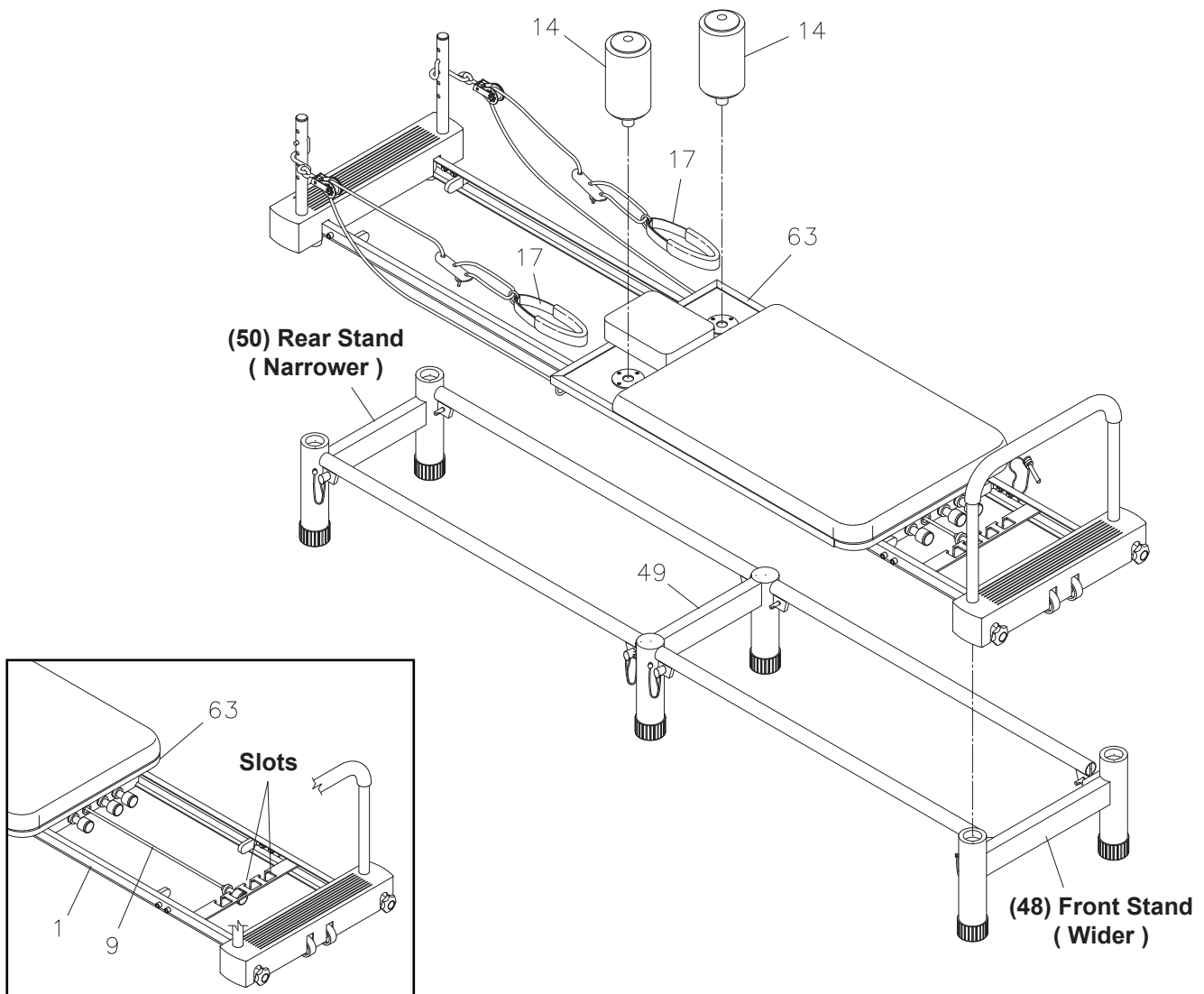
STEP 10

Insert the **FOAM PAD ASSEMBLIES(14)** into the holes located on the **PLATFORM(63)**. Place the **HAND/ FOOT STRAPS(17)** onto the **FOAM PAD ASSEMBLIES(14)** for storage.

STEP 11

Refer to the inset drawing. To prevent the **PLATFORM(63)** from moving while placing the **AeroPilates® Reformer 651** onto its stand, attach one of the **TENSION CORDS(9)** in the slot on the **FRONT FRAME(1)**. Place the **AeroPilates® Reformer 651** onto the stand as shown in the illustration.

NOTE: The rubber feet of the **AeroPilates® Reformer 651** must fit into the **FRONT STAND(48)** and the **REAR STAND(50)**. The **FRONT STAND(48)** is wider than the **REAR STAND(50)**. The footbar end of your **AeroPilates® Reformer 651** will fit into the top of the **FRONT STAND(48)** and the headrest end of your **AeroPilates® Reformer 651** will fit into the **REAR STAND(50)**.

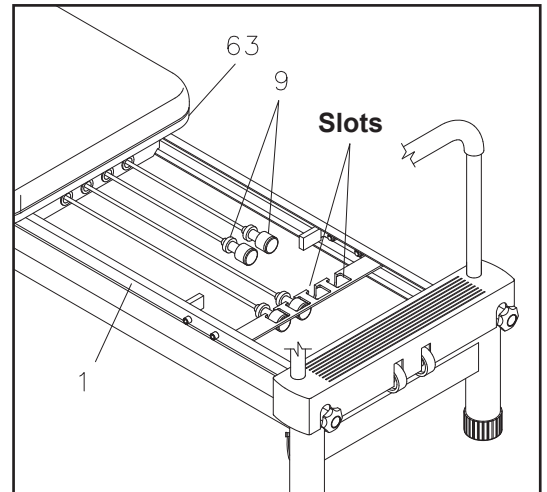


OPERATIONAL INSTRUCTIONS

LOAD ADJUSTMENT

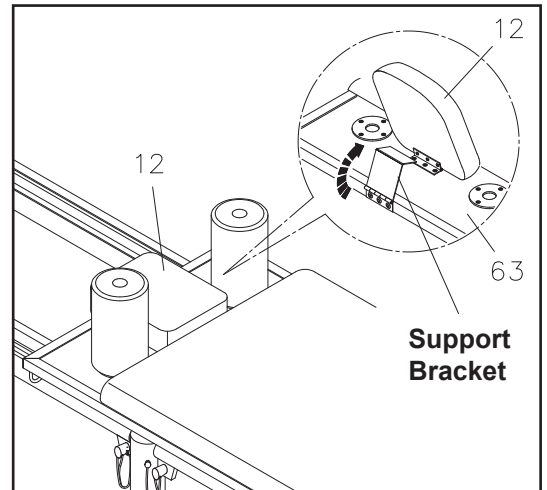
The resistance of the **PLATFORM(63)** can be adjusted by securing the **TENSION CORDS(9)** in the slots located on the **FRONT FRAME(1)**. You can achieve various levels of resistance by securing different numbers of the **TENSION CORDS(9)** in the slots.

NOTE: Over time your **TENSION CORDS(9)** will relax. To increase resistance in the **TENSION CORDS(9)**, stretch and re-tie the tension cords in a more taut position.



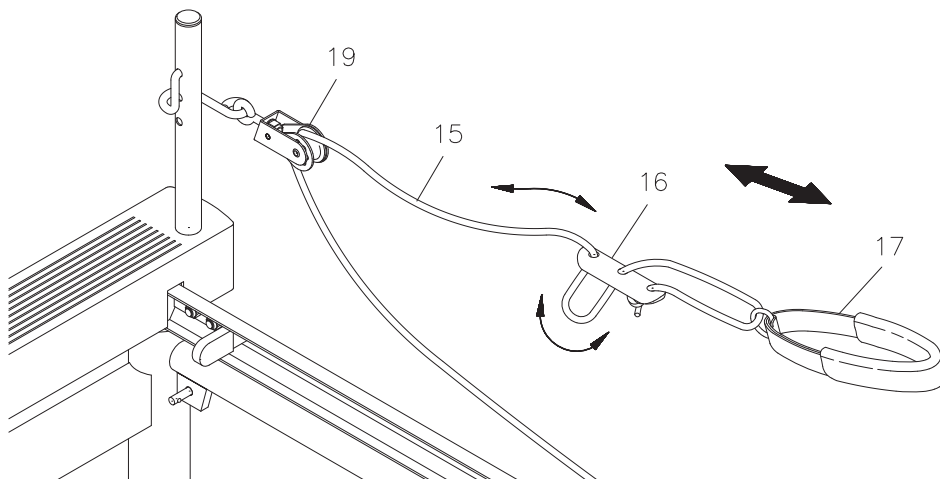
HEADREST ADJUSTMENT

The **HEADREST(12)** on the **PLATFORM(63)** can be positioned at an incline by simply pivoting the **SUPPORT BRACKET** onto the flat surface of the **PLATFORM(63)**.



ROPE LENGTH ADJUSTMENT

The position of the **HAND/FOOT STRAP(20)** can be adjusted by pulling the **ROPE(18)** through the **ROPE ADJUSTMENT BRACKET(29)** as shown. Be sure to adjust both **HAND/FOOT STRAPS(20)** to the same position on both sides.



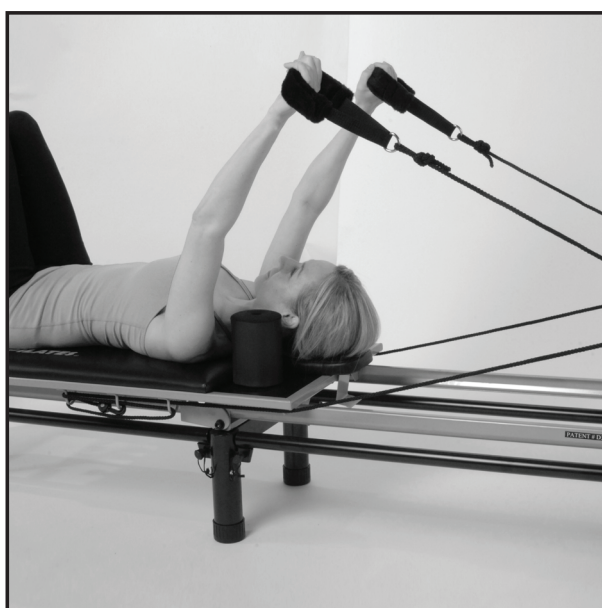
OPERATIONAL INSTRUCTIONS

CUSTOMIZING ROPE LENGTH

Ideal rope length will vary depending on your height and limb length. To determine your ideal rope length, begin by placing the hand/foot straps over the shoulder rests as shown below. Adjust the ropes so they are taut. For complete rope length adjustment instructions, see additional Rope Length Adjustment instructions in this Owner's Manual.



Next, lie on the reformer with your hands in the straps with shoulders against the shoulder rests. Reach your hands toward the ceiling until they are directly over the back edge of the reformer platform as shown below. In this position, the reformer platform should be at rest with no tension on the ropes. If there is still tension on the ropes in this position, lengthen the ropes. If you lose tension before reaching the arm position shown below, shorten the ropes.



OPERATIONAL INSTRUCTIONS

PULLEY HEIGHT ADJUSTMENT

Standard Setting- the top hole

The standard height setting for the reformer pulleys is the top setting. At the top setting, the pull of the ropes provides the most support and feedback for the body. Place your pulleys at the top setting to most easily achieve proper form and to engage the core muscles.



Variable settings- lower holes

You can add variety to your routine by using different pulley settings. The lower you set the pulleys, the less guidance and support you receive from the ropes. By providing less guidance and support, the lower settings further challenge strength and coordination.



OPERATIONAL INSTRUCTIONS

RESISTANCE CORD STRENGTH

The approximate maximum resistance provided by each cord is outlined in the chart below. Frequency of use, type of use and user weight will have an effect on the strength of your cords. Over time cord strength will gradually decrease. If your reformer is under the 90 day warranty, replacement cords are available by contacting Stamina customer care at customer.care@staminaproducts.com. If your reformer is not under warranty or you would like to add different tension cords, you can purchase new cords by visiting our website www.aeropilates.com.

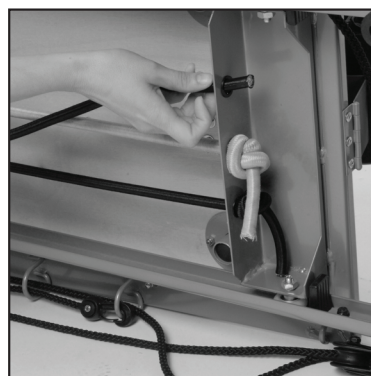
TENSION CORDS	CORD RESISTANCE
YELLOW	approximately 16 pounds
BLACK	approximately 24 pounds
RED	approximately 34 pounds

TENSION CORD SELECTION

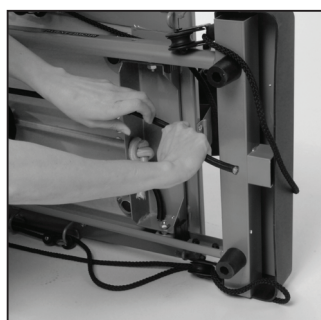
The **AeroPilates® Reformer 651** workout wall chart and workout DVDs indicate which cords to use for

TENSION CORD REPLACEMENT

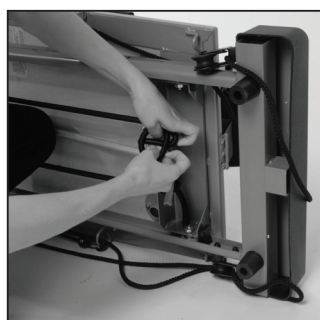
To replace or add a tension cord, first carefully release the platform and tip your machine on its side. Untie the knot that secures the cord you are replacing and simply pull it out. Thread the new cord through the metal holes from the end of the platform to the other end.



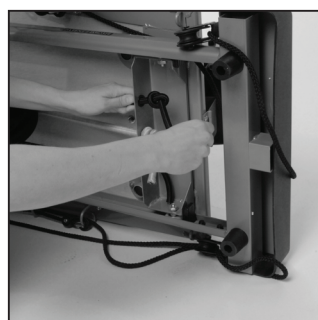
Pull tightly on the cord stretching it to the point that allows you to tie a double knot, and release the cord into place.



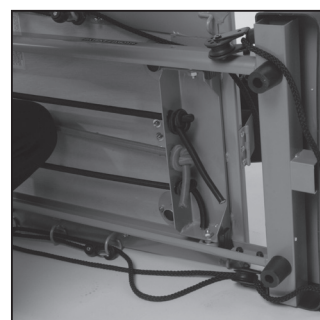
1



2



3



4

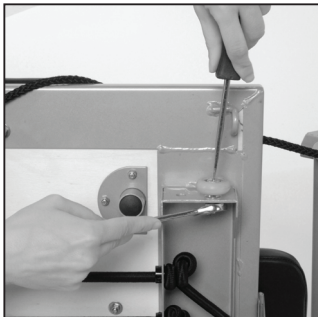
OPERATIONAL INSTRUCTIONS

PLATFORM ROLLER REPLACEMENT

To replace a platform roller, first remove the platform by releasing the cords and sliding the platform all the way back to the top end or rear frame of the machine. Tip your machine on its side, bend the machine at the hinge, and simply slide the platform off the frame.



Turn the platform upside down so it is cord side up. Using a crescent wrench and flat head screwdriver, remove the screw that is holding the roller in place. Replace the old roller with the new one, add the washer, push the screw through the roller and tighten with the nut. Do not overtighten the nut. Roller must turn freely.



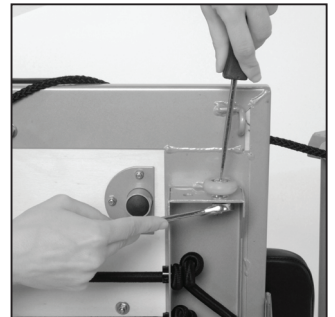
1



2



3



4

WEBSITE RESOURCES

You can find use and maintenance instructional video clips at www.staminaproducts.com.

STORAGE

1. To store the **AeroPilates® Reformer 651**, simply keep it in a clean dry place.
2. It is recommended that two people be available to move the **AeroPilates® Reformer 651**.
3. To move the **AeroPilates® Reformer 651**: First, attach one of the **TENSION CORDS(9)** in the slot on the **FRONT FRAME(1)** to prevent the **PLATFORM(63)** from moving. Second, grasp the **FRONT** and **REAR FRAME(1, 2)** to remove the **AeroPilates® Reformer 651** from its stand. Third, lift up the **AeroPilates® Premier Studio** from the **REAR FRAME(2)** to move the **AeroPilates® Reformer 651** with the transport wheels on the **FRONT FRAME(1)**. Fourth, grasp both ends of the stand to move it.

MAINTENANCE

The safety and integrity designed into the **AeroPilates® Reformer 651** can only be maintained when the **AeroPilates® Reformer 651** is regularly examined for damage and wear. Special attention should be given to the following:

1. It is the sole responsibility of the user/owner to ensure that regular maintenance is performed.
2. Worn or damaged components must be replaced immediately or the **AeroPilates® Reformer 651** should be removed from service until repair is made.
3. Verify that the **CAUTION LABEL(70)**, **PINCH POINT CAUTION LABEL(72)**, and **STAND CAUTION LABEL(73)** are in place and easy to read. Call Stamina Products immediately at 1-800-375-7520 for a replacement caution label if one is missing or damaged.
4. Check the condition of the **ENDCAPS(52)** on the stand. Replace any damaged **ENDCAPS(52)**. Verify that the **LARGE WASHER(53)** is in place inside the **ENDCAPS(52)** when replacing the **ENDCAPS(52)**.
5. Verify that the **ROPES(15)** are properly installed on the **PULLEY SETS(19)**.
6. Check the condition of the **ROPES(15)** and replace if they are frayed or worn.
7. Check the **TENSION CORDS(9)**. If any of the **TENSION CORDS(9)** are stretched and loose, re-tie the knot on the end of the cord. Replace **TENSION CORDS(9)** that are frayed or worn.
8. Check the **BUNGEE CORD(47)** on the **CARDIO REBOUNDER(45)** for wear. Replace the **BUNGEE CORD(47)** if it is frayed or worn.
9. Check the **PULLEY SETS(19)** for excessive wear. Replace worn **PULLEY SETS(19)**.
10. Check the **HAND/FOOT STRAPS(17)** for damage. Replace damaged parts.
11. Check the **FOAM SLEEVE(6)** and **FOAM PADS(14)** and replace if damaged or worn.
12. Check the **STOP PLATES(28)** for looseness or damage and replace any damaged parts.
13. Check the **PLATFORM CUSHION(64)** and replace if it is damaged or worn.
14. Check and clean the **ROLLERS(61)** and the rolling surfaces on the rails. Clean by wiping with a dry cloth.
15. Only Stamina Products supplied components should be used to maintain/repair the **AeroPilates® Reformer 651**.
16. Keep your **AeroPilates® Reformer 651** clean by wiping it off with an absorbent cloth after use.

CONDITIONING GUIDELINES

How you begin your exercise program depends on your physical condition. If you have been inactive for several years or are severely overweight, start slowly and increase your workout time gradually. Increase your workout intensity gradually by monitoring your heart rate while you exercise.

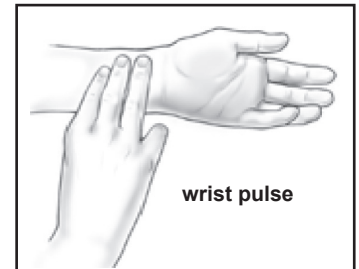
Remember to follow these essentials:

- Have your doctor review your training and diet programs.
- Begin your training program slowly with realistic goals that have been set by you and your physician.
- Warm up before you exercise and cool down after you work out.
- Take your pulse periodically during your workout and strive to stay within a range of 60% (lower intensity) to 90% (higher intensity) of your maximum heart rate zone. Start at the lower intensity, and build up to higher intensity as you become more aerobically fit.
- If you feel dizzy or lightheaded you should slow down or stop exercising.

Initially you may only be able to exercise within your target zone for a few minutes; however, your aerobic capacity will improve over the next six to eight weeks. It is important to pace yourself while you exercise so you don't tire too quickly.

To determine if you are working out at the correct intensity, use a heart rate monitor or use the table below. For effective aerobic exercise, your heart rate should be maintained at a level between 60% and 90% of your maximum heart rate. If just starting an exercise program, work out at the low end of your target heart rate zone. As your aerobic capacity improves, gradually increase the intensity of your workout by increasing your heart rate.

Measure your heart rate periodically during your workout by stopping the exercise but continuing to move your legs or walk around. Place two or three fingers on your wrist and take a six second heartbeat count. Multiply the results by ten to find your heart rate. For example, if your six second heartbeat count is 14, your heart rate is 140 beats per minute. A six second count is used because your heart rate will drop rapidly when you stop exercising. Adjust the intensity of your exercise until your heart rate is at the proper level.



Target Heart Rate Zone Estimated by Age*

Age	Target Heart Rate Zone (55%-90% of Maximum Heart Rate)	Average Maximum Heart Rate 100%
20 years	110-180 beats per minute	200 beats per minute
25 years	107-175 beats per minute	195 beats per minute
30 years	105-171 beats per minute	190 beats per minute
35 years	102-166 beats per minute	185 beats per minute
40 years	99-162 beats per minute	180 beats per minute
45 years	97-157 beats per minute	175 beats per minute
50 years	94-153 beats per minute	170 beats per minute
55 years	91-148 beats per minute	165 beats per minute
60 years	88-144 beats per minute	160 beats per minute
65 years	85-139 beats per minute	155 beats per minute
70 years	83-135 beats per minute	150 beats per minute

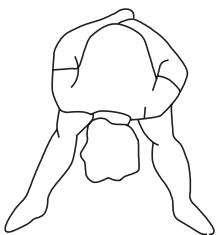
* For cardiorespiratory training benefits, the American College of Sports Medicine recommends working out within a heart rate range of 55% to 90% of maximum heart rate. To predict the maximum heart rate, the following formula was used: $220 - \text{Age} = \text{predicted maximum heart rate}$

WARM-UP and COOL-DOWN

Warm-Up The purpose of warming up is to prepare your body for exercise and to minimize injuries. Warm up for two to five minutes before strength training or aerobic exercising. Perform activities that raise your heart rate and warm the working muscles. Activities may include brisk walking, jogging, jumping jacks, jump rope, and running in place.

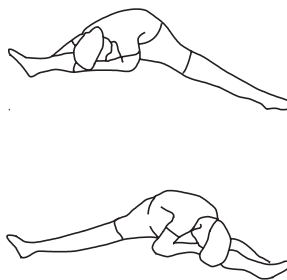
Stretching Stretching while your muscles are warm after a proper warm-up and again after your strength or aerobic training session is very important. Muscles stretch more easily at these times because of their elevated temperature, which greatly reduces the risk of injury. Stretches should be held for 15 to 30 seconds. Do not bounce.

Suggested Stretching Exercises



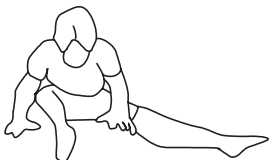
Lower Body Stretch

Place feet shoulder-width apart and lean forward. Keep this position for 30 seconds using the body as a natural weight to stretch the backs of the legs. **DO NOT BOUNCE!** When the pull on the back of the legs lessens, gradually try a lower position.



Floor Stretch

While sitting on the floor, open the legs as wide as possible. Stretch the upper body toward the knee on the right leg by using your arms to pull your chest to your thighs. Hold this stretch 10 to 30 seconds. **DO NOT BOUNCE!** Do this stretch 10 times. Repeat the stretch with the left leg.



Bent Torso Pulls

While sitting on the floor, have legs apart, one leg straight and one knee bent. Pull the chest down to touch the thigh on the leg that is bent, and twist at the waist. Hold this position at least 10 seconds. Repeat 10 times on each side.



Bent Over Leg Stretch

Stand with feet shoulder-width apart and lean forward as illustrated. Using the arms, **gently** pull the upper body towards the right leg. Let the head hang down. **DO NOT BOUNCE!** Hold the position a minimum of 10 seconds. Repeat pulling the upper body to the left leg. Do this stretch several times slowly.

Remember to always check with your physician before starting any exercise program.

Cool-Down The purpose of cooling down is to return the body to its normal, or near normal, resting state at the end of each exercise session. A proper cool-down slowly lowers your heart rate and allows blood to return to the heart. Your cool-down should include the stretches listed above and should be completed after each strength training session.

LIMITED WARRANTY

MODEL 55-4651A

WARRANTY

Stamina Products, Inc. ("Stamina") warrants to the original purchaser that this product will be free from defects in materials and workmanship that arise under normal use, service, proper assembly and proper operation in accordance with product warnings/instructions for a period of 90 days on the parts and three years on the frame from the date of the original purchase from an authorized retailer. **THIS WARRANTY SHALL NOT APPLY TO ANY PRODUCT WHICH HAS BEEN SUBJECT TO COMMERCIAL USE, ABUSE, MISUSE, ALTERATION OF ANY KIND OR TO ANY DEFECT OR CHANGE CAUSED BY IMPROPER ASSEMBLY, REPAIR, REPLACEMENT, SUBSTITUTION OR USE WITH PARTS NOT PROVIDED BY STAMINA.** Commercial use includes use of product in athletic clubs, health clubs, spas, gyms, and all other public or semipublic facilities whether or not the product's use is in furtherance of a profit making enterprise, and all other use which is not for personal purposes.

To implement this limited warranty, send a written notice stating your name, date, and place of purchase and a brief description of the defect along with your receipt to Stamina Products, Inc. 2040 N Alliance Ave, Springfield, Missouri, USA, MO 65803, or email us at customer.care@staminaproducts.com, or call us at 1-800-375-7520. If the defect is covered under this limited warranty, you will be requested to return the product or part to us for free repair or replacement at our option.

NO ACTION FOR BREACH OF THIS LIMITED WARRANTY MAY BE COMMENCED MORE THAN ONE (1) YEAR AFTER THE DATE THE ALLEGED BREACH WAS OR SHOULD HAVE BEEN DISCOVERED. NO ACTION FOR BREACH OF ANY IMPLIED WARRANTY (INCLUDING MERCHANTABILITY AND FITNESS FOR A PARTICULAR PURPOSE) MAY BE COMMENCED MORE THAN ONE (1) YEAR AFTER DELIVERY OF THE PRODUCT TO THE PURCHASER. These warranties are not transferable. IF ANY PART OF THE PRODUCT IS NOT IN COMPLIANCE WITH THIS LIMITED WARRANTY OR ANY IMPLIED WARRANTY, THE REMEDY OF REPAIR OR REPLACEMENT IS THE EXCLUSIVE REMEDY. If any claim is made under this limited warranty or any implied warranty, Stamina reserves the right to require the product to be returned for inspection, at the purchaser's expense, to Stamina's premises in Springfield, Missouri. Return of the enclosed warranty registration card is not required for warranty coverage, but is merely a way of establishing the date and place of purchase.

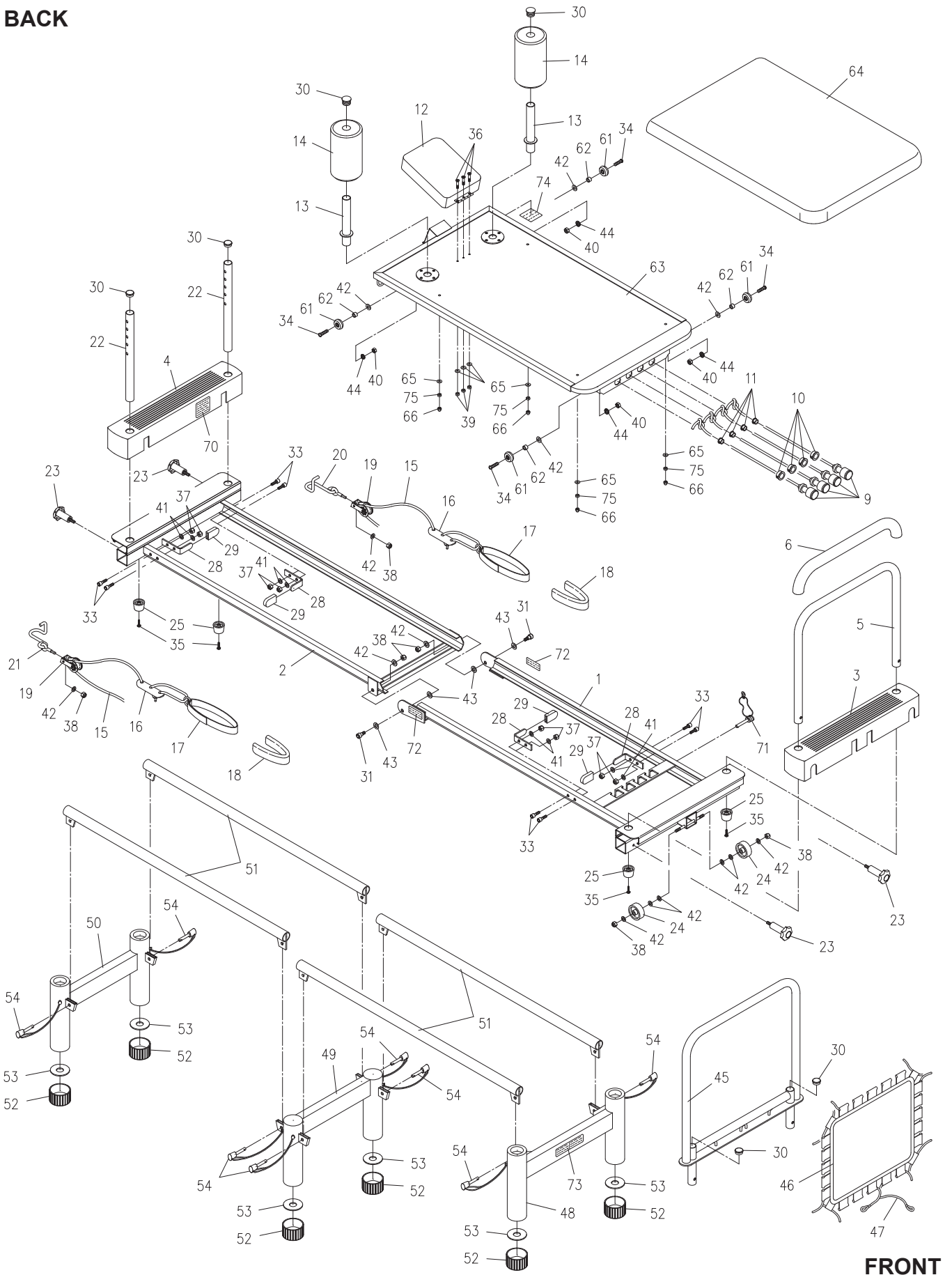
Stamina **SHALL NOT BE LIABLE FOR THE LOSS OF USE OF ANY PRODUCT, LOSS OF TIME, INCONVENIENCE, COMMERCIAL LOSS OR ANY OTHER INDIRECT, CONSEQUENTIAL, SPECIAL OR INCIDENTAL DAMAGES DUE TO BREACH OF THE ABOVE WARRANTY OR ANY IMPLIED WARRANTY.**

THIS LIMITED WARRANTY IS THE ONLY EXPRESS WARRANTY. NO ORAL OR WRITTEN INFORMATION GIVEN BY STAMINA, ITS AGENTS OR EMPLOYEES, SHALL CREATE A WARRANTY OR IN ANY WAY INCREASE THE SCOPE OF THIS WARRANTY. This warranty gives you specific legal rights, and you may also have other legal rights which vary from state to state. **ANY OTHER RIGHT WHICH YOU MAY HAVE, INCLUDING ANY IMPLIED WARRANTY OF MERCHANTABILITY OR FITNESS FOR A PARTICULAR PURPOSE, IS LIMITED IN DURATION TO THE DURATION OF THIS WARRANTY.**

The laws in some states affect the disclaimer or limitation of implied warranties and consequential and incidental damages. If any such law is found applicable, the foregoing disclaimers and limitations of and on implied warranties and consequential and incidental damages shall be deemed to be modified to the extent necessary to comply with applicable law.

PRODUCT PARTS DRAWING

BACK



PARTS LIST

PART#	PART NAME	QTY
1	Front Frame	1
2	Rear Frame	1
3	Front Cover	1
4	Rear Cover	1
5	Footbar	1
6	Foam Sleeve	1
9	Tension Cord	4
10	Support Bushing	4
11	Stop Bushing	4
12	Headrest	1
13	Foam Pad Tube	2
14	Foam Pad	2
15	Rope	2
16	Rope Adjustment Bracket	2
17	Hand/Foot Strap	2
18	Furry Grip	2
19	Pulley Set	2
20	Left Pulley Hook	1
21	Right Pulley Hook	1
22	Pulley Riser	2
23	Locking Knob	4
24	Wheel	2
25	Rubber Foot	4
28	Stop Plate	4
29	Stop Pad	4
30	Round Plug (25mm)	6
31	Shaft Bolt, Socket Head (M8 x 1.25 x 20mm)	2
33	Bolt, Socket Head (M6 x 1 x 14mm)	8
34	Bolt, Round Head (M8 x 1.25 x 30mm)	4
35	Screw, Round Head (M5 x 0.8 x 25mm)	4
36	Screw, Flat Head (M5 x 0.8 x 25mm)	3
37	Nylock Nut (M6 x 1)	8
38	Nylock Nut (M8 x 1.25)	6
39	Nylock Nut (M5 x 0.8)	3
40	Nut (M8 x 1.25)	4
41	Washer (M6)	8
42	Washer (M8)	14
43	Washer (M10)	4
44	Lock Washer (M8)	4
45	Cardio Rebounder	1
46	Mat	1
47	Bungee Cord	1
48	Front Stand	1
49	Middle Stand	1
50	Rear Stand	1
51	Connection Bar	4
52	Endcap	6

PARTS LIST

PART#	PART NAME	QTY
53	Large Washer (2 3/8" diameter)	6
54	Pull Pin	8
55	Combination Wrench	1
56	Socket Wrench	1
57	Manual	1
58	Workout Chart	1
61	Roller	4
62	Roller Spacer	4
63	Platform	1
64	Platform Cushion	1
65	Washer (M5)	7
66	Acorn Nut (M5 x 0.8)	4
68	AeroPilates® Primer Plus (DVD)	1
70	Caution Label	1
71	Locking Pin	1
72	Pinch Point Caution Label	2
73	Stand Caution Label	1
74	Serial Decal	1
75	Nut (M5 x 0.8)	4

NOTES

TO CONTACT CUSTOMER CARE

For your convenience, Stamina's customer care representatives can be reached by email at customer.care@staminaproducts.com or by phone at 1-800-375-7520 (in the U.S.). Our customer care representatives are available Monday through Thursday from 7:30 a.m. until 5:00 p.m., and Friday 8:00 a.m. until 3 p.m. Central Time.



**ONLINE
CUSTOMER CARE**
customer.care@staminaproducts.com
www.staminaproducts.com



**TELEPHONE
CUSTOMER CARE**
Tel: 1 (800) 375-7520



**FAX
CUSTOMER CARE**
Fax: (417) 889-8064



MAIL
STAMINA PRODUCTS, INC.
ATTN: Customer Care
2040 N Alliance Ave, Springfield, MO 65803

Would you like to receive email information or special offers from Stamina Products? Register at contact.staminaproducts.com

TO REGISTER YOUR PRODUCT

To enact your warranty, please register your product by going to register.staminaproducts.com. Please have your product model number (printed on the cover of this owner's manual) and the serial number (printed on the black and white sticker on your product) ready.

If you don't have internet access, you can call customer care at 1-800-375-7520, or fill out and mail the product registration form below to Stamina Products, Inc.; 2040 N Alliance Ave, Springfield, MO 65803.

PRODUCT REGISTRATION FORM		Stamina Products, Inc. 2040 N Alliance Ave, Springfield, MO 65803	
Model Number:		Serial Number:	
Product Name:			
Place Purchased:			
Date of Purchase:		Purchase Price:	
First Name:		Last Name:	
City:	State:	Phone #: ()	Zip Code:
Email Address:		Phone #: ()	
Would you like to receive email information or special offers from Stamina Products?* <input type="checkbox"/> Yes <input type="checkbox"/> No *If yes, be sure your email address is included above.			



Detach and Mail or Fax the Form Above



TO ORDER PARTS

If there are missing or damaged parts, you can go to parts.staminaproducts.com and order those parts. If you have questions, please contact customer care. Do not return the product. To order parts by mail, fill out the sheet below and fax it to 417-889-8064. The part will be mailed to your address.



Detach and Mail or Fax the Form Below



PARTS ORDER FORM		Stamina Products, Inc. 2040 N Alliance Ave, Springfield, MO 65803	
Mr./Ms:			
Address:		Apt. #:	
City:	State:	Zip Code:	
IMPORTANT : We require your phone number to process the order!			
Phone #: ()		Work Phone #: ()	
Date of Purchase:			
Model #:			
Purchased From:			
IMPORTANT: Before filling out the portion below, make sure you have the correct information. Refer to the parts list to make sure you're ordering the right parts!			
PART #	DESCRIPTION	QUANTITY	
EXAMPLE: 1	Rear Unit Assembly	1	