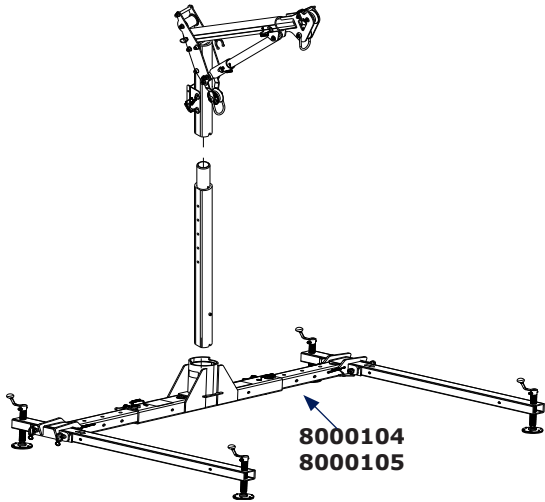




Fall Protection

	EN995: 2012 Type B	CEN/TS16415: 2013 Type B	CONFINED SPACE ENTRY/RESCUE HIGH CAPACITY THREE PIECE DAVIT BASE		
	PPE Regulation (EU) 2016/425			USER INSTRUCTION MANUAL 5903660 REV. C	
CE Type Test No. 2797 BSI The Netherlands B.V. Say Building John M. Keynesplein 9 1066 EP Amsterdam Netherlands	CE Product Quality Control No. 2797 BSI The Netherlands B.V. Say Building John M. Keynesplein 9 1066 EP Amsterdam Netherlands	 AS/NZS 5532:2013 BMP No. 678539			

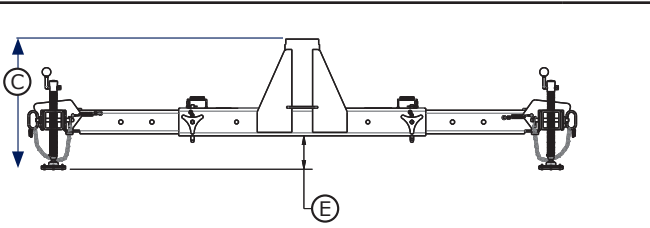
1



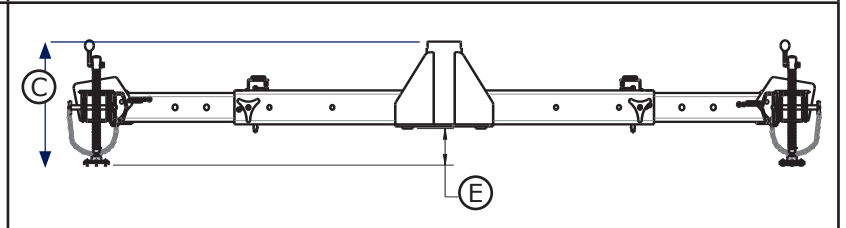
	A	B	C	D	E
8000104	140 cm (55.1 in)	121.3 cm - 190.0 cm (47.8 in - 74.8 in)	38.8 cm - 54.8 cm (15.3 in - 21.6 in)	19.8 cm (7.8 in)	3.6 cm - 17.5 cm (1.4 in - 6.9 in)
8000105	182.9 cm (72.0 in)	192.7 cm - 261.0 cm (75.9 in - 102.8 in)	29.4 cm - 43.9 cm (11.6 in - 17.3 in)	35.1 cm (13.8 in)	3.6 cm - 17.5 cm (1.4 in - 6.9 in)

8000104	8000105

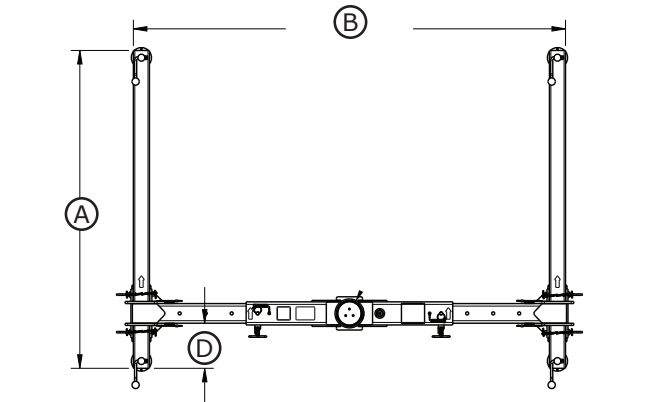
8000104



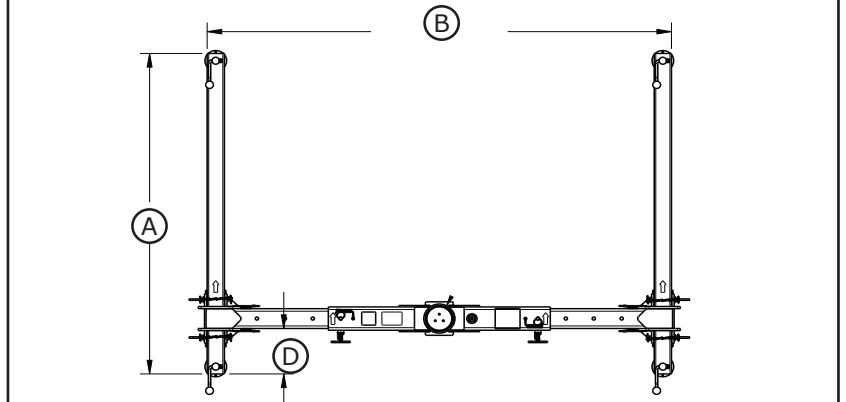
8000105



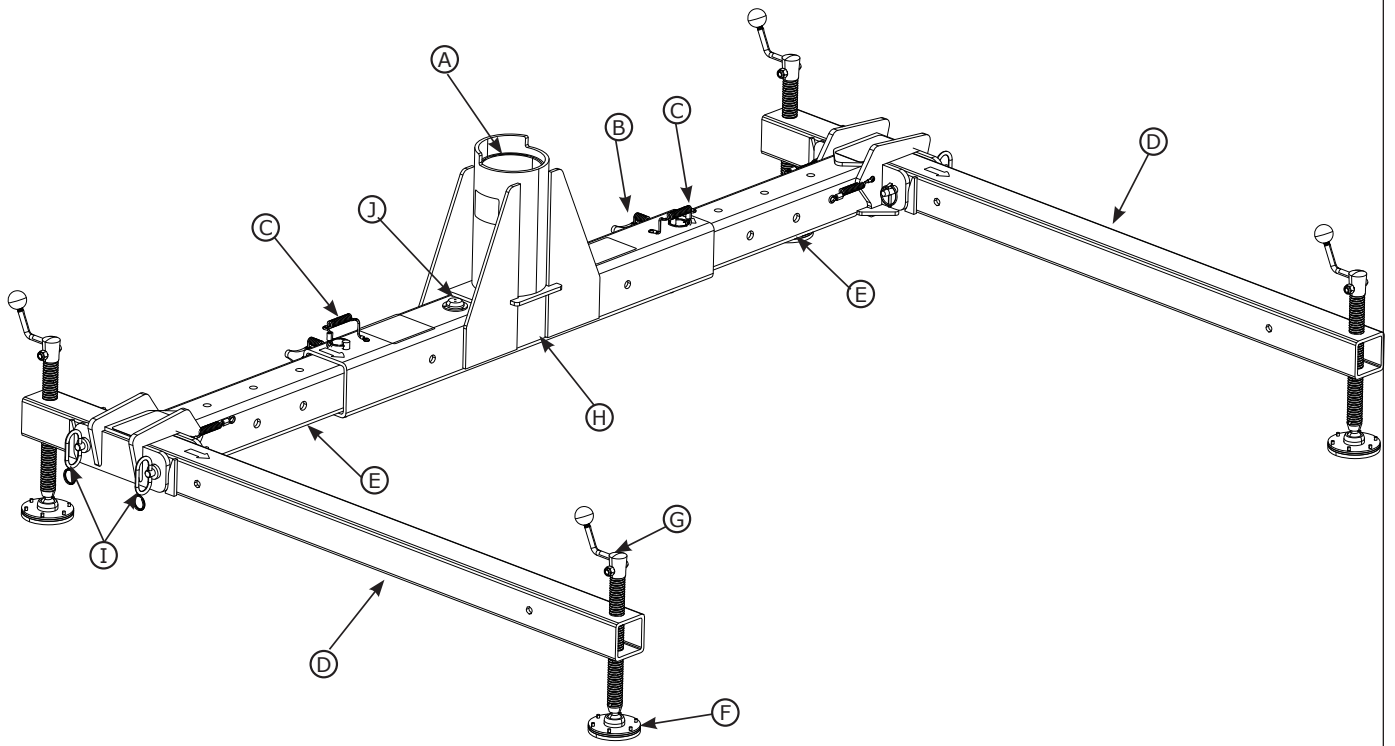
B



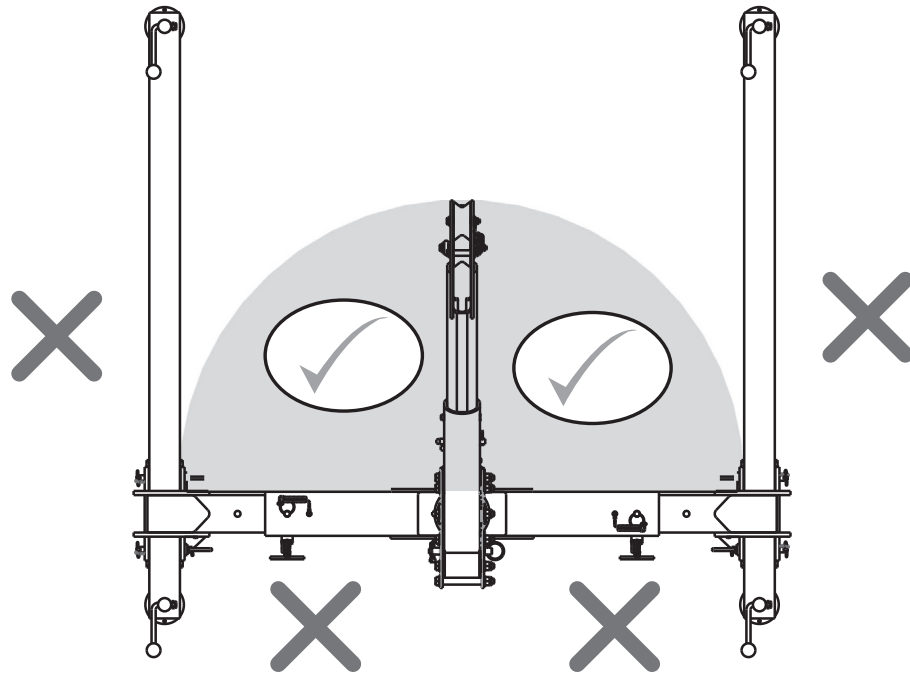
B

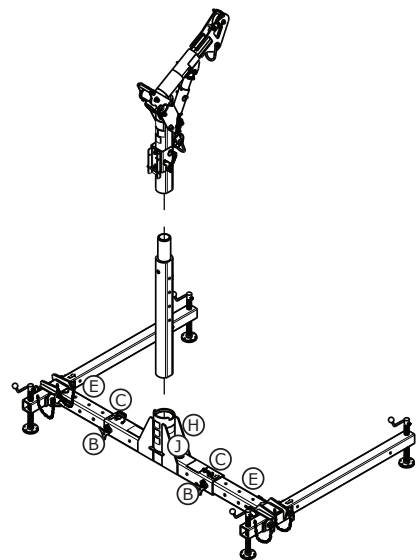
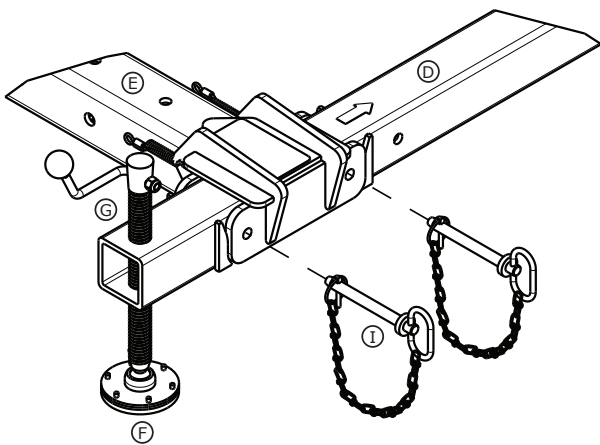
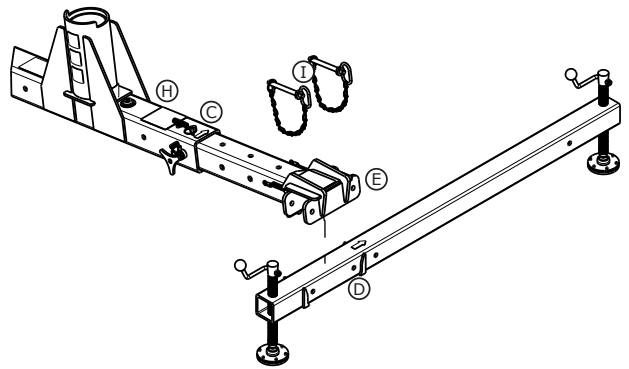
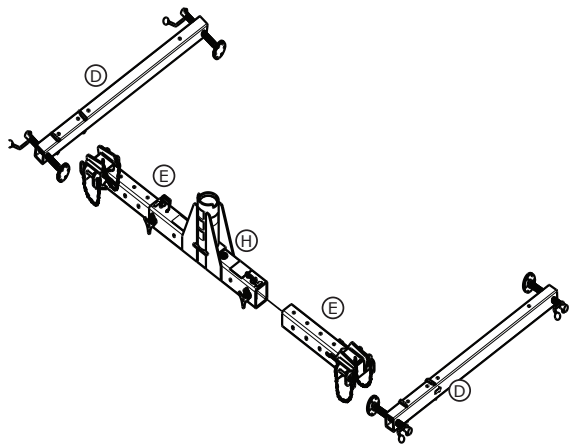
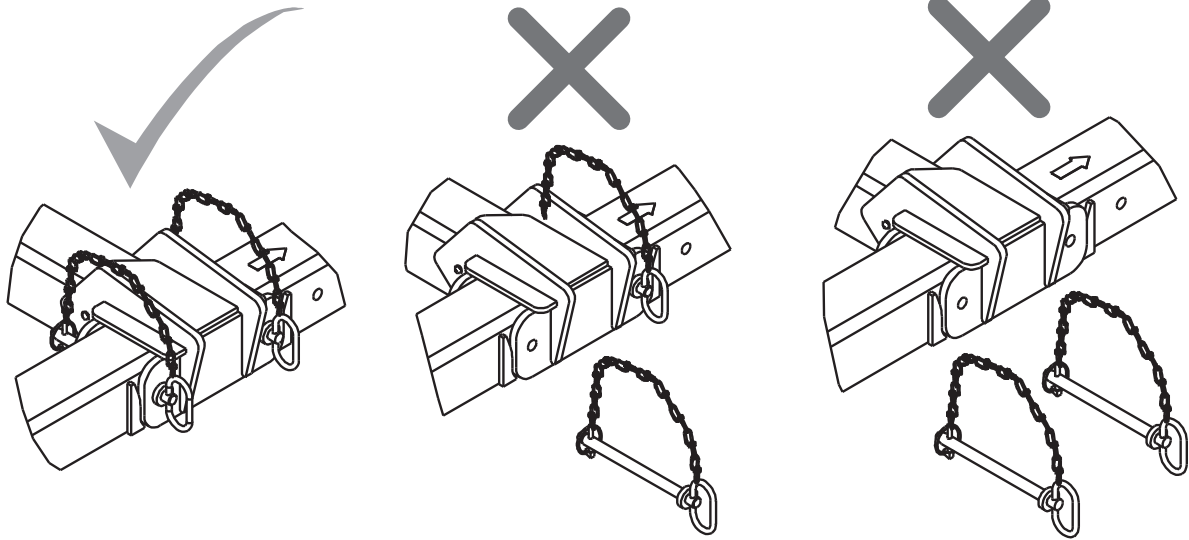


2

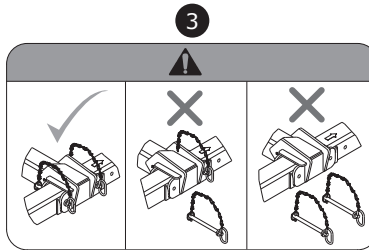
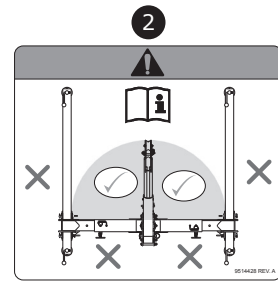
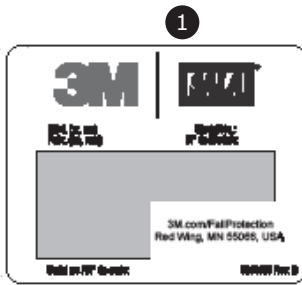
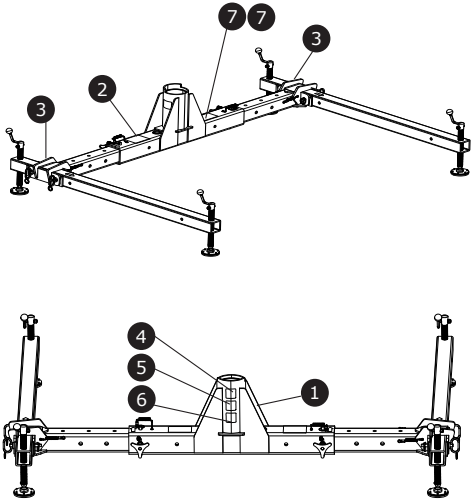


3

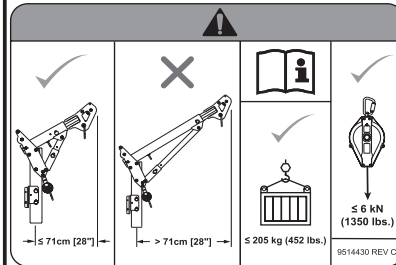




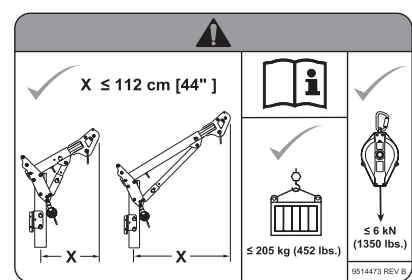
8000104 & 8000105



8000104 7



8000105 7



SAFETY INFORMATION

Please read, understand, and follow all safety information contained in these instructions prior to the use of this Confined Space Entry/Rescue Device. FAILURE TO DO SO COULD RESULT IN SERIOUS INJURY OR DEATH.

These instructions must be provided to the user of this equipment. Retain these instructions for future reference.

Intended Use:

This Confined Space Entry/Rescue Device is intended for use as part of a complete personal fall protection or rescue system.

Use in any other application including, but not limited to, non-approved material handling applications, recreational or sports related activities, or other activities not described in the User Instructions or Installation Instructions is not approved by 3M and could result in serious injury or death.

This device is only to be used by trained users in workplace applications.

WARNING

This Confined Space Entry/Rescue Device is part of a personal fall protection or rescue system. It is expected that all users be fully trained in the safe installation and operation of the complete system. **Misuse of this device could result in serious injury or death.** For proper selection, operation, installation, maintenance, and service, refer to all Product Instructions and all manufacturer recommendations, see your supervisor, or contact 3M Technical Service.

- **To reduce the risks associated with working with a Confined Space Entry/Rescue Device which, if not avoided, could result in serious injury or death:**
 - Inspect the device before each use, at least annually, and after any fall event. Inspect in accordance with the User Instructions.
 - If inspection reveals an unsafe or defective condition, remove the device from service and repair or replace according to the User Instructions.
 - Any device that has been subject to fall arrest or impact force must be immediately removed from service. Refer to the User Instructions or contact 3M Fall Protection.
 - The device must only be installed in the manner detailed in the Installation Instructions or User Instructions. Installations and use outside the scope of the instruction must be approved in writing by 3M Fall Protection.
 - The substrate or structure to which the device is attached must be able to sustain the static loads specified for the device in the orientations permitted in the User Instructions or Installation Instructions.
 - Do not exceed the number of allowable users.
 - Never work below a suspended load or worker.
 - Use caution when installing, using, and moving the device as moving parts may create potential pinch points. Refer to the User Instructions.
 - Ensure proper lockout/tagout procedures have been followed as applicable.
 - Never attach to a system until it is positioned, fully assembled, adjusted, and installed. Do not adjust the system while a user is attached.
 - Only connect fall protection subsystems to the designated anchorage connection point on the device.
 - Prior to drilling or fastening, ensure no electric lines, gas lines, or other critical embedded systems will be contacted by the drill or the device.
 - Ensure that fall protection systems/subsystems assembled from components made by different manufacturers are compatible and meet the requirements of applicable standards, including the ANSI Z359 or other applicable fall protection codes, standards, or requirements. Always consult a Competent or Qualified Person before using these systems.
- **To reduce the risks associated with working at height which, if not avoided, could result in serious injury or death:**
 - Ensure your health and physical condition allow you to safely withstand all of the forces associated with working at height. Consult with your doctor if you have any questions regarding your ability to use this equipment.
 - Never exceed allowable capacity of your fall protection equipment.
 - Never exceed maximum free fall distance of your fall protection equipment.
 - Do not use any fall protection equipment that fails pre-use or other scheduled inspections, or if you have concerns about the use or suitability of the equipment for your application. Contact 3M Technical Services with any questions.
 - Some subsystem and component combinations may interfere with the operation of this equipment. Only use compatible connections. Consult 3M prior to using this equipment in combination with components or subsystems other than those described in the User Instructions.
 - Use extra precautions when working around moving machinery (e.g. top drive of oil rigs) electrical hazards, extreme temperatures, chemical hazards, explosive or toxic gases, sharp edges, or below overhead materials that could fall onto you or the fall protection equipment.
 - Use Arc Flash or Hot Works devices when working in high heat environments.
 - Avoid surfaces and objects that can damage the user or equipment.
 - Ensure there is adequate fall clearance when working at height.
 - Never modify or alter your fall protection equipment. Only 3M or parties authorized in writing by 3M may make repairs to the equipment.
 - Prior to use of fall protection equipment, ensure a rescue plan is in place which allows for prompt rescue if a fall incident occurs.
 - If a fall incident occurs, immediately seek medical attention for the worker who has fallen.
 - Do not use a body belt for fall arrest applications. Use only a Full Body Harness.
 - Minimize swing falls by working as directly below the anchorage point as possible.
 - If training with this device, a secondary fall protection system must be utilized in a manner that does not expose the trainee to an unintended fall hazard.
 - Always wear appropriate personal protective equipment when installing, using, or inspecting the device/system.

Prior to installation and use of this equipment, record the product identification information from the ID label in the Inspection and Maintenance Log (Table 2) at the back of this manual.

PRODUCT DESCRIPTION:

Figure 1 illustrates the 3M™ DBI-SALA® Confined Space Entry/Rescue High Capacity (HC) High Capacity Three Piece Davit Base. The High Capacity Three Piece Davit Base is meant to be assembled on a horizontal surface and to receive the mast of a compatible 3M DBI-SALA Confined Space Entry / Rescue HC Davit.

Figure 2 illustrates the components of the High Capacity Three Piece Davit Base specified in Table 1. The High Capacity Three Piece Davit Base is comprised of a Center Section (H) with an integrated Davit Sleeve (A), with slide adjustable Leg Connectors (E) on either side that are locked into the desired width with Detent Pins (C) and Tri-Screws (B). The Leg Assemblies (D) are attached to the Leg Connectors (E) with Hitch Pins (I), and can be adjusted in height with the Adjustable Feet (F) using the Adjustment Handles (G).

Table 1 – Specifications

Davit Base Specifications:	
Dimensions	See Figure 1 for Davit Base Dimensions
Davit Base Weight	8000104 37.5 kg (82.7 lbs) 8000105 50.5 kg (111.3 lbs)
Compatibility	The Davit Bases covered in this instruction are compatible with 3M™ DBI-SALA® High Capacity (HC) Short Reach and Long Reach Davit Systems.
Minimum Mounting Requirements:	
Vertical Load Per Structure:	13.8 Kn (3,100 lbs.)

Component Specifications:		
Figure 2 Reference	Component	Materials
(A)	Davit Sleeve	Aluminum with high-density Polyethylene
(B)	Tri-Screws	Zinc-plated and powder coated steel
(C)	Detent Pins	Zinc-plated steel
(D)	Leg Assemblies	Aluminum and Zinc-plated steel
(E)	Leg Connectors	Aluminum
(F)	Adjustable Feet	Zinc-plated steel
(G)	Adjustment Handles	Zinc-plated steel
(H)	Center Section	Aluminum
(I)	Hitch Pins	Zinc-plated steel
(J)	Leveling Bubble	

Weight Capacities:	
Material Handling Capacity	205 kg (452 lbs)

1.0 PRODUCT APPLICATION

- 1.1 PURPOSE:** Davit Bases are designed mounting points for compatible 3M Davit Systems. See the respective Davit System instruction for system use and functionality.
- 1.2 STANDARDS:** This Davit Base conforms to the national or regional standard(s) identified on the front cover of these instructions. If this product is resold outside the original country of destination, the re-seller must provide these instructions in the language of the country in which the product will be used.
- 1.3 INSTALLATION & SUPERVISION:** Installation of the Davit Base must be supervised by a Competent Person¹. A Qualified Person² must verify the structural installation meets local and federal regulations. A Qualified Person must recommend the appropriate fasteners and proper Davit Base placement. Use of the Davit and attached Fall Protection equipment must be supervised by a Competent Person.
- 1.4 SITE DOCUMENTATION:** After assembly and installation of the Davit Bases, Installation Documentation meeting the informational requirements of EN795 Annex A must be completed by the installer and handed over to the user's designated representative. The Installation Documentation should be kept at the job site for purposes of subsequent examination.
- 1.5 TRAINING:** This equipment must be installed and used by persons trained in its correct application. This manual may be used as part of an employee training program and/or regional regulations. It is the responsibility of the users and installers of this equipment to ensure they are familiar with these instructions, trained in the correct care and use of this equipment, and are aware of the operating characteristics, application limitations, and consequences of improper use of this equipment.
- 1.6 RESCUE PLAN:** When using the Davit and connected Fall Protection equipment, the employer must have a rescue plan and means at hand to implement and communicate that plan to users. A trained on-site rescue team is recommended. Team members should be provided with the equipment and techniques to perform a successful rescue. Training should be provided on a periodic basis to ensure rescue proficiency.
- 1.7 INSPECTION FREQUENCY:** The Davit Base shall be inspected by the User before each use and, additionally, by a Competent Person other than the user at intervals of no longer than one year.³ Inspection procedures are described in the "Inspection and Maintenance Log". Results of each Competent Person inspection should be recorded on copies of the "Inspection and Maintenance Log".

2.0 SYSTEM REQUIREMENTS

- 2.1 ANCHORAGE AND FASTENERS:** Any structure and fasteners (fasteners if applicable) used to attach the Davit Base must meet the "Mounting Requirements" defined in Table 1.
- 2.1 COMPONENT COMPATIBILITY:** 3M equipment is designed for use with other 3M-approved components and subsystems only. Substitutions or replacements made with non-approved components or subsystems may jeopardize compatibility of equipment and may affect the safety and reliability of the complete system.
- 2.2 PERSONAL FALL ARREST SYSTEM:** Personal Fall Arrest Systems (PFAS) used with the system must meet applicable Fall Protection standards, codes, and requirements. The PFAS must use a Full Body Harness, and limit Arresting Force to the following values:

	Maximum Arresting Force	Free Fall
PFAS with Shock Absorbing Lanyard	6 kN (1,350 lb)	Refer to the instruction(s) included with your Lanyard or SRD for Free Fall limitations.
PFAS with Self Retracting Device (SRD)	6 kN (1,350 lb)	

- 2.3 HAZARDS:** Use of this equipment in areas with environmental hazards may require additional precautions to prevent injury to the user or damage to the equipment. See the 3M davit mast instruction for specific hazards that may affect system use.

¹ **Competent Person:** One who is capable of identifying existing and predictable hazards in the surroundings or working conditions which are unsanitary, hazardous, or dangerous to employees, and who has authorization to take prompt corrective measures to eliminate them.

² **Qualified Person:** An individual with a recognized degree or professional certificate, and extensive experience in Fall Protection. This individual must be capable of design, analysis, evaluation, and specification in Fall Protection.

³ **Inspection Frequency:** Extreme working conditions (harsh environments, prolonged use, etc.) may require increasing the frequency of competent person inspections.

3.0 ASSEMBLY

3.1 PLANNING: Plan your fall protection system prior to installation of the High Capacity Three Piece Davit Base. Account for all factors that may affect your safety before, during and after a fall. Consider all requirements defined in Section 2 and Table 1 to determine the correct fasteners and placement for mounting the High Capacity Three Piece Davit Base on the anchorage structure.

- **Anchorage:** Anchorage on which the High Capacity Three Piece Davit Base is mounted must meet the Anchorage Load requirements specified in Section 2 and the Vertical Load requirements in Table 1.

3.2 ASSEMBLING THE HIGH CAPACITY THREE PIECE DAVIT BASE: Figure 5 illustrates installation of the High Capacity Three Piece Davit Base. Mount the High Capacity Three Piece Davit Base on a horizontal surface that meets the strength requirements noted in Table 1, for instance on a concrete or a steel structure:

1. Insert the Leg Connections (E) into the Center Section (H).
2. Lay out the system on the floor in the approximate area it is intended to be used while eliminating any potential fall hazard.
3. With the Leg Assembly (D) perpendicular to the Center Section (H), hold the Leg Assembly upright and lift the Leg Connection (E) up onto the Leg Assembly (D) using the tabs on the legs to guide the end connection into place.
4. Insert the Hitch Pins (I) attaching the Leg Assembly (D) to the Leg Connection (E) and secure using the attached lynch pin.
5. Repeat for the opposite side leg.
6. Adjust the base assembly to the desired width and insert the Detent Pins (C) fully through the Center Section (H) securing the Leg Connections (E). Tighten the Tri-Screws (B) on the back of the Center Section (H).
7. Adjust the Leveling Feet (F) to make the Base Assembly level, using the attached Level Bubble (J) to ensure the bubble is within the reference circle.

Confirm that all Pins are fully inserted and have lynch pins in place before use. See Figure 4.

4.0 USE

4.1 BEFORE EACH USE: Verify that your work area and Personal Fall Arrest System (PFAS) meet all criteria defined in Section 2 and a formal Rescue Plan is in place. Inspect the High Capacity Three Piece Davit Base per the 'User' inspection points defined on the "Inspection and Maintenance Log" 2. If inspection reveals an unsafe or defective condition, do not use the system. Remove the system from service and destroy, or contact 3M regarding replacement or repair.

4.2 WORKING AREA: The 3M High Capacity Three Piece Davit Base must only be used in the allowed working area between the longest sides of the Leg Assemblies. See Figure 3.

Working Area: The System may become unstable if used outside of the Safe Working Area in Figure 3.

5.0 INSPECTION

5.1 INSPECTION FREQUENCY: The High Capacity Three Piece Davit Base must be inspected at the intervals defined in Section 1. Inspection procedures are described in the 'Inspection and Maintenance Log' in Table 2. Inspect all other components of the Fall Protection System per the frequencies and procedures defined in the manufacturer's instructions.

5.2 DEFECTS: If inspection reveals an unsafe or defective condition, remove the High Capacity Three Piece Davit Base from service immediately and contact 3M regarding replacement or repair. Do not attempt to repair the Fall Arrest System.

Authorized Repairs Only: Only 3M or parties authorized in writing may make repairs to this equipment.

5.3 PRODUCT LIFE: The functional life of the Fall Arrest System is determined by work conditions and maintenance. As long as the product passes inspection criteria, it may remain in service.

6.0 MAINTENANCE, SERVICING, STORAGE

6.1 CLEANING: Periodically clean the High Capacity Three Piece Davit Base's metal components with a soft brush, warm water, and a mild soap solution. Ensure parts are thoroughly rinsed with clean water.

6.2 SERVICE: Only 3M or parties authorized in writing by 3M may make repairs to this equipment. If the High Capacity Three Piece Davit Base has been subject to fall force or inspection reveals an unsafe or defective conditions, remove the system from service and contact 3M regarding replacement or repair.

6.3 STORAGE AND TRANSPORT: When not in use, store and transport the High Capacity Three Piece Davit Base and associated fall protection equipment in a cool, dry, clean environment out of direct sunlight. Avoid areas where chemical vapors may exist. Thoroughly inspect components after extended storage.

7.0 LABELS

Figure 6 illustrates labels on the High Capacity Three Piece Davit Base. Labels must be replaced if they are not fully legible. Information provided on each label is as follows:


	Read all instructions.
①	A) Manufactured (Year, Month) B) Model Number C) Serial Number
②	Safe working area.
③	Pin Attachment Warning
④	CE Standards Certification
⑤	AS/NZS Standards Certification
⑥	EN1496:2006 Class B
⑦	8000104 Maximum Davit Arm Offset, Personal Fall Arrest System (PFAS), Material Handling Capacity
⑦	8000105 Maximum Davit Arm Offset, Personal Fall Arrest System (PFAS), Material Handling Capacity

Table 3 – Inspection and Maintenance Log

Inspection Date:		Inspected By:	
Components:	Inspection: (See Section 1 for <i>Inspection Frequency</i>)	User	Competent Person¹
High Capacity Three Piece Davit Base (Figure 2)	Inspect the High Capacity Three Piece Davit Base for cracks, dents, or deformities.	<input type="checkbox"/>	<input type="checkbox"/>
	Inspect the entire unit for excessive corrosion.	<input type="checkbox"/>	<input type="checkbox"/>
	Confirm that Hitch Pins and Detent Pins are fully inserted and secured by lynch pins if appropriate.	<input type="checkbox"/>	<input type="checkbox"/>
Labels Figure 7	Verify that all labels are securely attached and are legible (see ' <i>Labels</i> ')	<input type="checkbox"/>	<input type="checkbox"/>
PFAS and Other Equipment	Additional Personal Fall Arrest System (PFAS) equipment (harness, SRL, etc) that are used with the HC Three Piece Davit Base should be installed and inspected per the manufacturer instructions.	<input type="checkbox"/>	<input type="checkbox"/>

Serial Number(s):	Date Purchased:
Model Number:	Date of First Use:
Corrective Action/Maintenance:	Approved By:
	Date:
Corrective Action/Maintenance:	Approved By:
	Date:
Corrective Action/Maintenance:	Approved By:
	Date:
Corrective Action/Maintenance:	Approved By:
	Date:
Corrective Action/Maintenance:	Approved By:
	Date:
Corrective Action/Maintenance:	Approved By:
	Date:
Corrective Action/Maintenance:	Approved By:
	Date:
Corrective Action/Maintenance:	Approved By:
	Date:
Corrective Action/Maintenance:	Approved By:
	Date:
Corrective Action/Maintenance:	Approved By:
	Date:
Corrective Action/Maintenance:	Approved By:
	Date:

1 Competent Person: One who is capable of identifying existing and predictable hazards in the surroundings or working conditions which are unsanitary, hazardous, or dangerous to employees, and who has authorization to take prompt corrective measures to eliminate them.

BEZPEČNOSTNÍ INFORMACE

Před použitím tohoto zařízení pro vstup do omezeného prostoru/záchranu z omezeného prostoru si prosím přečtěte, pochopte a dodržujte veškeré bezpečnostní informace obsažené v této příručce. V OPAČNÉM PŘÍPADĚ MŮŽE DOJÍT K VÁŽNÉMU ÚRAZU ČI ÚMRTÍ.

Tyto pokyny musejí být předány uživateli tohoto zařízení. Nechte si tyto instrukce pro budoucí nahlédnutí.

Zamýšlené použití:

Toto zařízení pro vstup do omezeného prostoru/záchranu z omezeného prostoru je určeno pro použití jako součást kompletního systému pro ochranu osob proti pádu nebo vytahovacího systému.

Jiné použití, mimo jiné včetně manipulace s neschváleným materiálem, rekreačních činností nebo činností souvisejících se sportem nebo jiných činností, které nejsou popsány v uživatelské příručce nebo pokynech pro instalaci, není schváleno společností 3M a může mít za následek vážný úraz či úmrtí.

Toto zařízení mohou používat pouze vyškolení uživatelé na pracovišti.

VAROVÁNÍ

Toto zařízení pro vstup do omezeného prostoru/záchranu z omezeného prostoru je součástí systému pro ochranu osob proti pádu nebo vytahovacího systému. Očekává se, že všichni uživatelé budou řádně zaškoleni ohledně bezpečné instalace a provozu celého systému. **Nesprávné použití tohoto zařízení může mít za následek vážný úraz či úmrtí.** Pro správný výběr, provoz, instalaci, údržbu a servis nahlédněte do všech uživatelských příruček a všech doporučení výrobce, obraťte se na svého nadřízeného nebo kontaktujte technický servis 3M.

- **Ke snížení rizik spojených s prací se zařízením pro vstup do omezeného prostoru/záchranu z omezeného prostoru, která mohou mít, pokud jim nezabráníte, za následek vážný úraz či úmrtí, dodržujte tato opatření:**
 - Všechny součásti záchranného prostředku zkontrolujte před každým použitím (alespoň jednou ročně) a po každém pádu. Při kontrole postupujte podle uživatelské příručky.
 - Pokud kontrola odhalí nebezpečný nebo závadný stav, vyřadte zařízení z činnosti a opravte nebo vyměňte podle pokynů v uživatelské příručce.
 - Pokud bylo zařízení vystaveno záhytné síle nebo síle způsobené pádem, musí být okamžitě vyřazeno z provozu. Seznamte se s pokyny pro uživatele, případně se obraťte na společnost 3M Fall Protection.
 - Zařízení je třeba instalovat výhradně způsobem popsaným v pokynech pro instalaci nebo v pokynech pro uživatele. Instalaci a používání mimo rozsah pokynů musí písemně schválit 3M Fall Protection.
 - Podklad nebo konstrukce, k nimž se zařízení připojuje, musí být schopné odolat statickému zatížení specifikovanému pro zařízení ve směrech povolených v pokynech pro uživatele nebo pokynech k instalaci.
 - Dodržujte maximální počet povolených uživatelů.
 - Nikdy nepracujte pod zavěšenou zátěží nebo pracovníky.
 - Při instalaci, používání a přesouvání zařízení postupujte opatrně, neboť pohyblivé součásti mohou představovat potenciální místa usklípnutí. Seznamte se s pokyny pro uživatele.
 - Dbejte na dodržování správných postupů uzamykání/připevňování.
 - Nikdy se nepřipojujte k systému, dokud není na místě, kompletně sestaven, upraven a nainstalován. Neupravujte systém, je-li k němu připojený uživatel.
 - Subsystémy pro ochranu proti pádu připojujte pouze k vyhrazenému bodu ukotvení na zařízení.
 - Před vrtáním nebo připevňováním se ujistěte, že se vrtačka ani zařízení nemohou dostat do kontaktu s elektrickým vedením, plynovým potrubím nebo jinými důležitými vestavěnými systémy.
 - Zajistěte, aby systémy/subsystémy proti pádu sestavené ze součástí vyrobených různými výrobci, byly kompatibilní a splňovaly požadavky platných norem, včetně ANSI Z359 nebo jiných platných předpisů, norem nebo požadavků na ochranu proti pádu. Před použitím těchto systémů se vždy poraďte s kompetentní nebo oprávněnou osobou.
- **Pro snížení rizik spojených s prací ve výškách, která mohou mít, pokud jim nezabráníte, za následek vážný úraz či úmrtí:**
 - Ujistěte se, že vám váš zdravotní stav a fyzická kondice umožňují bezpečně vydržet veškerou námahu spojenou s prací ve výškách. Pokud máte nějaké dotazy týkající se vaší schopnosti používat toto zařízení, poraďte se se svým lékařem.
 - Nikdy nepřekračujte přípustnou kapacitu vašeho záhytného zařízení.
 - Nikdy nepřekračujte maximální délku volného pádu vašeho záhytného zařízení.
 - Nepoužívejte záhytná zařízení, která neprojdou kontrolou před použitím nebo jinou naplánovanou kontrolou, nebo pokud máte obavy ohledně vhodnosti zařízení pro vaše použití. S případnými dotazy kontaktujte technický servis 3M.
 - Některé kombinace subsystémů a součástí mohou narušovat provoz tohoto zařízení. Používejte pouze kompatibilní připojení. Pokud chcete toto vybavení používat v kombinaci s jinými součástmi nebo subsystémy, než které jsou popsány v této příručce, obraťte se na společnost 3M.
 - Buďte zvláště opatrní při práci u pohyblivých strojů (např. horní pohon vrtných plošin), v prostředí s nebezpečím úrazu elektrickým proudem, s extrémními teplotami, chemickým nebezpečím, výbušnými nebo toxickými plyny, ostrými hranami nebo pod stropními materiály, které by mohly spadnout na vás nebo vaše záhytné zařízení.
 - Při práci v prostředí s vysokými teplotami použijte zařízení proti obloukovému výboji a pro práci za tepla.
 - Vyhněte se povrchům a předmětům, které mohou poranit uživatele nebo poškodit zařízení.
 - Při práci ve výškách zajistěte dostatečnou délku pádu.
 - Nikdy své záhytné zařízení neupravujte ani neměňte. Opravy tohoto zařízení může provádět pouze společnost 3M nebo třetí strany s písemným oprávněním společnosti 3M.
 - Před použitím záhytného zařízení se ujistěte, že je zaveden záchranný plán, který umožňuje rychlou záchranu, pokud dojde k pádu.
 - Pokud dojde k pádu, okamžitě vyhledejte pracovníkovi, který spadl, lékařskou pomoc.
 - Pro jištění proti pádu nepoužívejte pás na tělo. Používejte pouze celotělový postroj.
 - Minimalizujte riziko výkyvu při pádu tím, že budete pracovat co nejbližší kotevnímu bodu.
 - Při školení ohledně tohoto zařízení musí být použit sekundární systém zajištění proti pádu, a to takovým způsobem, který školeného pracovníka nevystaví nežádoucímu nebezpečí pádu.
 - Při instalaci, používání nebo kontrole zařízení/systému vždy noste vhodné osobní ochranné pomůcky.

Před instalací a použitím tohoto vybavení si запиšte výrobní identifikační údaje z identifikačního štítku do Deníku kontrol a údržby (tabulka 2) na zadní straně tohoto návodu.

POPIS PRODUKTU:

Na obrázku 1 je uvedena třídílná základna velkokapacitního zdvihacího systému 3M™ DBI-SALA® pro osazení do otvoru a pro zapuštění do podlahy, která slouží na ochranu proti pádu při vstupu a vyproštění ze stísněných prostor. Tato třídílná základna velkokapacitního zdvihacího systému je určena k montáži na vodorovnou plochu a lze do ní nainstalovat stožár kompatibilního 3M DBI-SALA ramene na ochranu proti pádu při vstupu a vyproštění ze stísněných prostor.

Na obrázku 2 jsou uvedeny součásti třídílné základny velkokapacitního zdvihacího systému popsané v tabulce 1. Tato třídílná základna velkokapacitního zdvihacího systému se skládá ze středové části (H) se zabudovanou objímkou zdvihacího systému (A), s posuvnými stavitelnými konektory ramen (E) na obou stranách, které se zajišťují v požadované šířce pomocí aretačních kolíků (C) a trojkřídlých šroubů (B). Sestavy ramen (D) jsou připevněny ke konektorům ramen (E) s čepy navijáku (I) a jejich výšku lze upravit pomocí stavěcích patek (F) a stavěcích madel (G).

Tabulka 1 – Technické údaje

Technické údaje základny zdvihacího systému:	
Rozměry	Na obrázku 1 jsou uvedeny rozměry základny zdvihacího systému
Hmotnost základny zdvihacího systému	8000104 37,5 kg (82,7 liber) 8000105 50,5 kg (111,3 liber)
Kompatibilita	Základny zdvihacího systému popsané v těchto pokynech jsou kompatibilní s 3M™ DBI-SALA® velkokapacitními (HC) zdvihacími systémy s krátkým a dlouhým vyložením.
Svislé zatížení struktury:	13,8 Kn (3 100 liber)

Technické parametry součástí:		
Reference k obrázku 2	Součást	Materiály
Ⓐ	Objímka zdvihacího systému	Hliník s vysokohustotním polyetylenem
Ⓑ	Trojkrídle šrouby	Pozinkovaná a prášková ocel
Ⓒ	Aretační kolíky	Pozinkovaná ocel
Ⓓ	Sestavy ramen	Hliník a pozinkovaná ocel
Ⓔ	Konektory ramen	Hliník
Ⓕ	Stavěcí patky	Pozinkovaná ocel
Ⓖ	Stavěcí madla	Pozinkovaná ocel
Ⓗ	Středová část	Hliník
Ⓘ	Čepy navijáku	Pozinkovaná ocel
Ⓙ	Vodováha	

Nosnosti:	
Nosnost materiálu	205 kg (452 liber)

1.0 POUŽITÍ VÝROBKU

- 1.1 ÚČEL:** Základny zdvihacích systémů jsou konstruované montážní body pro kompatibilní 3M zdvihací systémy. Informace o použití a funkcích systému najdete v pokynech k příslušnému zdvihacímu systému.
- 1.2 NORMY:** Tato základna zdvihacího systému vyhovuje národním a regionálním normám uvedeným na přední straně obálky této příručky. Pokud bude tento produkt prodáván mimo původní cílovou zemi, pak prodejce musí tuto příručku poskytnout v jazykové verzi země, ve které se bude produkt používat.
- 1.3 INSTALACE A DOHLED:** Na instalaci základny zdvihacího systému musí dohlížet kompetentní osoba¹. Kvalifikovaná osoba² musí ověřit, zda strukturální instalace splňuje místní a federální předpisy. Kvalifikovaná osoba musí doporučit vhodný upevňovací materiál a řádné umístění základny zdvihacího systému. Na používání zdvihacího systému a připevněného vybavení na ochranu proti pádu musí dohlížet kompetentní osoba.
- 1.4 DOKUMENTACE NA PRACOVIŠTI:** Po sestavení a instalaci základny zdvihacích systémů musí instalátor vyplnit dokumentaci o instalaci dle mezinárodních požadavků přílohy A normy EN795 a předat ji určenému zástupci uživatele. Dokumentace o instalaci musí být uchovávána na pracovišti pro účely pozdější kontroly.
- 1.5 ŠKOLENÍ:** Toto zařízení musí být instalováno a používáno osobami, které byly vyškoleny pro jeho správné používání. Tuto příručku lze použít jako součást školicího programu zaměstnanců a/nebo místních předpisů. Uživatelé a montážní technici jsou odpovědní za zajištění toho, že budou obeznámeni s těmito pokyny, vyškoleni ve správné údržbě a používání tohoto zařízení a budou znát provozní vlastnosti, omezení pro použití a následky nesprávného používání tohoto zařízení.
- 1.6 ZÁCHRANNÝ PLÁN:** Při používání tohoto zdvihacího systému a vybavení na ochranu proti pádu musí mít zaměstnavatel připraven záchraný plán a záchrané prostředky k použití a tento plán předat uživatelům. Doporučuje se využití vyškoleného záchraného týmu na pracovišti. Členové týmu musí mít k dispozici vybavení a techniky k provedení úspěšné záchran. Aby byla zajištěna odbornost záchranářů, musí být školení prováděno v pravidelných intervalech.
- 1.7 ČETNOST KONTROL:** Základny zdvihacího systému musí být uživatelem zkontrolována před každým použitím a kromě toho kompetentní osobou jinou než uživatelem, v intervalech maximálně jednoho roku.³ Kontrolní postupy jsou popsány v „Deníku kontrol a údržby“. Výsledky všech kontrol prováděných kompetentní osobou musí být zaznamenávány na kopiích „Deníku kontrol a údržby“.

2.0 POŽADAVKY NA SYSTÉM

- 2.1 UKOTVENÍ A UPEVNŮVACÍ MATERIÁL:** Všechny struktury a upevňovací materiály (případně upevňovací materiál) použité k připevnění základny zdvihacího systému musí splňovat „Požadavky na montáž“ definované v tabulce 1.
- 2.1 VLASTNOSTI SOUČÁSTÍ:** Vybavení 3M je určeno k používání výhradně se součástmi a subsystémy schválenými společností 3M. Záměny a náhrady za použití neschválených prvků a dílčích systémů mohou ohrozit kompatibilitu zařízení a případně též nepříznivě ovlivnit bezpečnost a spolehlivost celého systému.
- 2.2 SYSTÉM ZACHYCENÍ PÁDU OSOB:** Systémy zachycení pádu osob (PFAS) používané s tímto systémem musí splňovat platné normy, předpisy a požadavky na ochranu proti pádu. PFAS musí využívat celotělový postroj a musí omezovat záchytnou sílu na následující hodnoty:

	Maximální záchytná síla	Volný pád
PFAS s lanem absorbujícím náraz	6 kN (1 350 liber)	Omezení volného pádu najdete v pokynech přiložených k lanu nebo SRD.
PFAS se samonavíjecím záchytným zařízením (SRD)	6 kN (1 350 liber)	

- 2.3 RIZIKA:** Používání tohoto vybavení v nebezpečném prostředí si možná vyžádá další předběžná opatření, aby nedošlo k úrazu uživatele nebo poškození vybavení. Informace o konkrétních rizicích, která mohou negativně ovlivnit používání systému, najdete v pokynech ke 3M stožáru zdvihacího systému.

¹ **Kompetentní osoba:** Osoba schopná identifikovat existující a předvídatelné nebezpečí v okolí nebo v podmínkách práce, které jsou pro pracovníky zdravotně závadné, rizikové nebo nebezpečné, pověřená přijímat okamžitá nápravná opatření k jejich odstranění.

² **Kvalifikovaná osoba:** Jednotlivec s uznávaným titulem nebo profesním osvědčením a rozsáhlými znalostmi v oblasti ochrany proti pádu. Tato osoba musí být schopna provést návrh, analýzu, hodnocení a specifikaci v oblasti ochrany proti pádu.

³ **Četnost kontrol:** Extrémní pracovní podmínky (nepříznivé prostředí, dlouhodobé používání atd.) si mohou vyžádat častější kontroly kompetentní osobou.

3.0 SESTAVENÍ

3.1 PLÁNOVÁNÍ: Před instalací třídílné základny velkokapacitního zdvihacího systému naplňuje systém ochrany proti pádu. Vezměte v úvahu veškeré faktory, které mohou ovlivnit vaši bezpečnost před pádem, v průběhu pádu a po pádu. Zvažte všechny požadavky definované v oddílu 2 a tabulce 1 pro určení správného upevňovacího materiálu a osazení držáku třídílné základny velkokapacitního zdvihacího systému na ukotvovací strukturu.

- **Ukotvení:** Ukotvení, ke kterému je připevněna třídílná základna velkokapacitního zdvihacího systému, musí splňovat požadavky na zatížení ukotvení stanovené v oddílu 2 a požadavky na svislé zatížení v tabulce 1.

3.2 SESTAVENÍ TŘÍDÍLNÉ ZÁKLADNY VELKOKAPACITNÍHO ZDVIHACÍHO SYSTÉMU: Na obrázku 5 je znázorněna instalace třídílné základny velkokapacitního zdvihacího systému. Namontujte třídílnou základnu velkokapacitního zdvihacího systému na vodorovnou strukturu, která splňuje požadavky na pevnost uvedené v Tabulce 1, například na betonovou nebo ocelovou strukturu:

1. Zasuňte konektory ramen (E) do středové části (H).
2. Položte systém na zem na místě, na kterém se bude používat. Vybrané místo musí zároveň vylučovat jakékoli nebezpečí pádu.
3. Umístěte sestavu ramen (D) kolmo ke středové části (H), přidržujte sestavu ramen svisle, zvedněte konektor ramene (E) na sestavu ramen (D) a pomocí výstupků na ramenech zaveďte koncové připojení na místo.
4. Zasuňte čepy navijáku (I) připevňující sestavu ramen (D) do konektoru ramene (E) a zajistěte je pomocí přiloženého zákolníku.
5. Zopakujte postup u ramene na opačné straně.
6. Nastavte požadovanou šířku sestavy základny a zcela provlečte aretační čepy (C) středovou částí (H) pro zajištění připojení ramen (E). Utáhněte trojkřídlé šrouby (B) na zadní straně středové části (H).
7. Pomocí vyvažovací patky (F) vyvažte sestavu základny do rovnováhy s použitím přiložené vodováhy (J), aby se bublinka nacházela uvnitř referenčního kruhu.

Před použitím ověřte, zda jsou všechny čepy zcela zasunuté a zda jsou zákolníky na místě. Viz obrázek 4.

4.0 POUŽITÍ

4.1 PŘED KAŽDÝM POUŽITÍM: Ověřte, zda vaše pracoviště a systém zachycení pádu osob (PFAS) splňují všechny podmínky stanovené v kapitole 2 a zda existuje formální záchranný plán. Zkontrolujte třídílnou základnu velkokapacitního zdvihacího systému podle kontrolních bodů pro *uživatele*, které jsou uvedeny v části „Deník kontrol a údržby“ v tabulce 2. Pokud při kontrole zjistíte ohrožení nebo závadu, systém nepoužívejte. Vyřadte systém z provozu a zlikvidujte nebo kontaktujte společnost 3M ohledně výměny nebo opravy.

4.2 PRACOVNÍ PROSTOR: 3M třídílnou základnu velkokapacitního zdvihacího systému je možno používat pouze v povoleném pracovním prostoru mezi nejdelšími stranami sestav ramen. Viz obrázek 3.

Pracovní prostor: V případě použití mimo bezpečný pracovní prostor na obrázku 3 může být systém nestabilní.

5.0 KONTROLA

5.1 ČETNOST KONTROL: Třídílná základna velkokapacitního zdvihacího systému musí procházet kontrolami v intervalech stanovených v oddílu 1. Kontrolní postupy jsou popsány v části „Deník kontrol a údržby“ v tabulce 2. Zkontrolujte všechny ostatní součásti systému jištění proti pádu podle intervalů a postupů uvedených v pokynech výrobce.

5.2 VADY: Pokud při kontrole zjistíte ohrožení nebo závadu, ihned vyřadte třídílnou základnu velkokapacitního zdvihacího systému z provozu a kontaktujte společnost 3M ohledně výměny nebo opravy. Nepokoušejte se systém jištění proti pádu opravovat.

Pouze autorizované opravy: Opravy tohoto vybavení smí provádět pouze společnost 3M nebo třetí strany s písemným oprávněním.

5.3 ŽIVOTNOST VÝROBKU: Funkční životnost systému jištění proti pádu závisí na pracovních podmínkách a údržbě. Výrobek může být v provozu tak dlouho, dokud vyhovuje kontrolním kritériím.

6.0 ÚDRŽBA, SERVIS A SKLADOVÁNÍ


6.1 ČIŠTĚNÍ: Kovové součásti třídílné základny velkokapacitního zdvihacího systému pravidelně čistěte měkkým kartáčem, teplou vodou a slabým mýdlovým roztokem. Součásti důkladně opláchněte čistou vodou.

6.2 SERVIS: Opravy tohoto zařízení smí provádět pouze společnost 3M nebo třetí strany s písemným oprávněním. Pokud byla třídílná základna velkokapacitního zdvihacího systému vystavena působení pádu nebo je při kontrole zjištěn nebezpečný nebo závadný stav, vyřadte systém z provozu a kontaktujte společnost 3M ohledně výměny nebo opravy.

6.3 SKLADOVÁNÍ A PŘEPRAVA: Mimo používání skladujte a převázejte třídílnou základnu velkokapacitního zdvihacího systému a související vybavení na ochranu proti pádu v chladném, suchém a čistém prostředí mimo dosah přímého slunečního světla. Vyvarujte se uložení v prostorách, kde se mohou vyskytovat chemické výpary. Po delším skladování součásti důkladně přezkontrolujte.

7.0 ŠTÍTKY

Na obrázku 6 jsou uvedeny štítky na třídílné základně velkokapacitního zdvihacího systému. Pokud štítky nejsou zcela čitelné, je nutné je vyměnit. Na jednotlivých štítcích jsou uvedeny následující informace:

	Přečtěte si veškeré pokyny.
1	A) Vyrobeno (rok, měsíc) B) Číslo modelu C) Sériové číslo
2	Bezpečný pracovní prostor.
3	Varování ohledně připevnění čepu
4	Certifikace dle norem CE
5	Certifikace dle norem AS/NZS
6	EN1496:2006 třída B
7	8000104 Maximální vyložení zdvihacího ramene, systém zachycení pádu osob (PFAS), maximální nosnost materiálu
7	8000105 Maximální vyložení zdvihacího ramene, systém zachycení pádu osob (PFAS), maximální nosnost materiálu

Tabulka 3 – Deník kontrol a údržby

Datum kontroly:		Kontrolu provedl:	
Součásti:	Kontrola: (Viz Četnost kontrol v kapitole 1)	Uživatel	Oprávněná osoba ¹
Třídílná základna velkokapacitního zdvihacího systému (obr. 2)	Zkontrolujte, zda na třídílné základně velkokapacitního zdvihacího systému nejsou praskliny, promáčkliny nebo deformace.	<input type="checkbox"/>	<input type="checkbox"/>
	Zkontrolujte celý systém a ověřte, zda nedochází k nadměrné korozi.	<input type="checkbox"/>	<input type="checkbox"/>
	Ověřte, zda jsou čepy navijáku a aretační čepy zcela zasunuté a (případně) zajištěné zákolníky.	<input type="checkbox"/>	<input type="checkbox"/>
Štítky obrázek 7	Ověřte, zda jsou všechny štítky řádně připevněné a jsou čitelné (viz část <i>Štítky</i>)	<input type="checkbox"/>	<input type="checkbox"/>
PFAS a další vybavení	Další vybavení osobních systémů zachycení pádu osob (PFAS) (postroj, zatahovací zachyčovač pádu a podobně), které se používají s touto třídílnou základnou velkokapacitního zdvihacího systému, je třeba nainstalovat a kontrolovat podle pokynů výrobce.	<input type="checkbox"/>	<input type="checkbox"/>

Sériové číslo (sériová čísla):	Datum nákupu:
Číslo modelu:	Datum prvního použití:
Nápravné opatření / údržba:	Schválil(a):
	Datum:
Nápravné opatření / údržba:	Schválil(a):
	Datum:
Nápravné opatření / údržba:	Schválil(a):
	Datum:
Nápravné opatření / údržba:	Schválil(a):
	Datum:
Nápravné opatření / údržba:	Schválil(a):
	Datum:
Nápravné opatření / údržba:	Schválil(a):
	Datum:
Nápravné opatření / údržba:	Schválil(a):
	Datum:
Nápravné opatření / údržba:	Schválil(a):
	Datum:
Nápravné opatření / údržba:	Schválil(a):
	Datum:
Nápravné opatření / údržba:	Schválil(a):
	Datum:
Nápravné opatření / údržba:	Schválil(a):
	Datum:
Nápravné opatření / údržba:	Schválil(a):
	Datum:
Nápravné opatření / údržba:	Schválil(a):
	Datum:
Nápravné opatření / údržba:	Schválil(a):
	Datum:

1 Kompetentní osoba: Osoba schopná identifikovat existující a předvídatelné nebezpečí v okolí nebo v podmínkách práce, které jsou pro pracovníky zdravotně závadné, rizikové nebo nebezpečné, pověřená přijímat okamžitá nápravná opatření k jejich odstranění.

Læs alle sikkerhedsoplysninger i denne brugsanvisning og sørg for, at du forstår og følger disse før brug af denne adgangs-/redningsanordning til lukkede rum. UNDLADELSE HERAF KAN MEDFØRE ALVORLIG PERSONSKADE ELLER DØDSFALD.

Disse anvisninger skal udleveres til brugeren af udstyret. Opbevar denne vejledning til senere brug.

Anvendelsesformål:

Dette adgangs-/redningssystem til lukkede rum er beregnet til brug som en del af et komplet personligt faldsikrings- og/eller redningssystem.

Enhver anden brug end denne, herunder eksempelvis materialehåndtering, rekreative eller sportslige aktiviteter eller andre aktiviteter, der ikke er beskrevet i brugsanvisningen eller installationsvejledningen, er ikke godkendt af 3M og kan medføre alvorlig skade eller død.

Denne anordning må kun benyttes af uddannede brugere til anvendelse på arbejdspladsen.

ADVARSEL

Denne adgangs/redningsanordning til lukkede rum er en del af et personligt faldsikrings- og redningssystem. Det forventes, at alle brugere er fuldt uddannede i sikker installation og drift af hele systemet. **Misbrug af denne anordning kan medføre alvorlig skade eller død.** Jævnfør denne brugervejledning samt alle producentens anbefalinger, tal med din vejleder eller kontakt 3M's tekniske service vedrørende korrekt valg, drift, installation, vedligeholdelse og servicering.

- **For at reducere risiciene ved at arbejde med en adgangs-/redningsanordning til lukkede rum, som, hvis de ikke undgås, kan medføre alvorlig skade eller død:**
 - Efterse anordningen før hver brug, mindst én gang om året og efter et eventuelt fald. Efterse systemet i overensstemmelse med brugervejledningen.
 - Hvis eftersynet afslører usikre eller defekte tilstande, skal udstyret tages ud af drift og repareres eller udskiftes i overensstemmelse med brugervejledningen.
 - Enhver anordning, som har været udsat for faldstandsning eller kraftpåvirkninger, skal straks tages ud af brug. Se brugervejledningen, eller kontakt 3M Fall Protection.
 - Anordningen må kun installeres som beskrevet i detaljer i installationsvejledningen eller brugervejledningen. Installationer og anvendelse uden for instruktionens område skal godkendes skriftligt af 3M Fall Protection.
 - Det grundlag eller den struktur, som denne anordning fastgøres til, skal være i stand til at modstå de statiske belastninger, der er specificeret for anordningen i de retninger, der er tilladt i brugervejledningerne eller installationsvejledningerne.
 - Overstig ikke antallet af tilladte brugere.
 - Man skal aldrig arbejde under en ophængt last eller arbejder.
 - Vær forsigtig ved installation, brug og flytning af anordningen, da dele i bevægelse kan skabe potentielle klemmepunkter. Der henvises til brugervejledningen.
 - Sørg for at korrekte lockout/tagout-procedurer bliver fulgt som foreskrevet.
 - Tilslut aldrig til et system, før det er positioneret, fuldt samlet, justeret og installeret. Juster ikke systemet, mens en bruger er tilkoblet.
 - Man må kun tilkoble faldsikringsundersystemer til det angivne forankringsforbindelsespunkt på anordningen.
 - Forud for boring eller fastgørelse skal det sikres, at ingen elledninger, gasledninger eller andre kritiske indkapslede systemer kommer i kontakt med boret eller anordningen.
 - Sørg for, at faldsikringsystemer/-undersystemer, der er samlet fra komponenter, der er fremstillet af forskellige fabrikanter, er kompatible og opfylder kravene i relevante standarder, inklusive ANSI Z359 eller andre gældende regulativer, standarder for eller krav til faldbeskyttelse. Opsøg altid en kompetent eller kvalificeret person, før du anvender disse systemer.
- **For at reducere risici i forbindelse med højdearbejde, som, hvis de ikke undgås, kan medføre alvorlig skade eller død:**
 - Sørg for, at dit helbred og din kondition gør dig i stand til sikkert at kunne modstå alle de kræfter, der er forbundet med højdearbejde. Rådfør dig med din læge, hvis du har spørgsmål vedrørende din evne til at bruge dette udstyr.
 - Overstig aldrig den tilladte kapacitet for dit faldsikringsudstyr.
 - Overstig aldrig den maksimale faldafstand fra dit faldsikringsudstyr.
 - Brug ikke faldsikringsudstyr, som ikke virker ved forudgående brug eller planlagte inspektioner, eller hvis du er bekymret for udstyrets brug eller egnethed til det tilsigtede formål. Kontakt 3M's tekniske service med eventuelle spørgsmål.
 - Kombinationer med visse delsystemer og komponenter kan forstyrre driften af dette udstyr. Brug kun kompatible forbindelser. Rådfør dig med 3M, før du bruger dette udstyr sammen med andre komponenter eller delsystemer end dem, der er beskrevet i brugervejledningen.
 - Vær særligt forsigtig, når du arbejder i nærheden af maskiner, som bevæger sig (f.eks. øverste drev på olieplatforme), fare for elektrisk stød, ekstreme temperaturer, kemiske farer, eksplosive eller giftige gasser, skarpe kanter eller under overliggende materialer, som kan falde ned på dig eller faldsikringsudstyret.
 - Brug Arc Flash eller Hot Works (dvs. passende beskyttelses)-anordninger, når du arbejder i miljøer med ekstrem varme.
 - Undgå overflader og genstande, som kan beskadige brugeren eller udstyret.
 - Sørg for tilstrækkelig faldafstand ved højdearbejde.
 - Faldsikringsudstyret må aldrig modificeres eller ændres. Kun 3M eller parter, som 3M skriftligt har bemyndiget må foretage reparationer på udstyret.
 - Før brug af faldsikringsudstyret skal du sørge for at have en redningsplan, som muliggør hurtig redning i tilfælde af fald.
 - Hvis der sker et fald, søges straks lægehjælp for den faldne arbejdstager.
 - Brug ikke et kropsbælte til anvendelser, der involverer faldsikring. Må kun benyttes med komplet kropssele.
 - Svingfald kan minimeres ved så vidt muligt at arbejde lige under forankringspunktet.
 - Hvis der øves med denne anordning, skal der benyttes sekundært faldbeskyttelsesudstyr på en sådan måde, at lærlingen ikke udsættes for utilsigtet faldrisiko.
 - Brug altid passende personlige værnemidler under installation, brug eller inspektion af enheden/systemet.

Inden udstyret monteres og tages i brug, skal produktidentifikationsoplysningerne fra ID-mærkatene noteres i inspektions- og vedligeholdelsesloggen (tabel 2) på bagsiden af denne manual.

PRODUKTBEKRIVELSE:

Figur 1 viser 3M™ DBI-SALA® adgang til lukkede rum/redning høj kapacitet (HC) høj kapacitet trepunkts Davit-baser. Høj kapacitet trepunkts Davit-basen er beregnet til at blive samlet på en vandret overflade og modtage masten af en kompatibel 3M DBI-SALA adgang til lukkede rum/redning HC Davit.

Figur 2 viser komponenterne af høj kapacitet trepunkts Davit-base specificeret i tabel 1. Høj kapacitet trepunkts Davit-basen består af en midtersektion (H) med en integreret Davit-muffe (A) med justerbare benforbindelser, der kan glide (E) på hver side, og som er låst fast i den ønskede bredde med sikringsstifter (C) og trevingede skruer (B). Bensamlingerne (D) er fastgjort på benforbindelser (E) med tilkoblingsstifter (I), og kan justeres i højden med justerbare fødder (F) ved hjælp af justeringshåndtag (G).

Tabel 1 – Specifikationer

Specifikationer for Davit-base:	
Dimensioner	Se figur 1 for dimensionerne af Davit-basen
Davit-basens vægt	8000104 37,5 kg (82,7 pund) 8000105 50,5 kg (111,3 pund)
Kompatibilitet	Davit-baserne beskrevet i denne vejledning er kompatible med 3M™ DBI-SALA® høj kapacitet (HC) Davit-systemer med kort og lang rækkevidde.

Minimums monteringskrav:

Lodret belastning pr. struktur: 13,8 kN (3.100 pund)

Komponentspecifikationer:

Figur 2 Reference	Komponent	Materialer
(A)	Davit-muffe	Aluminium med polyethylen med høj densitet
(B)	Trevingede skruer	Galvaniseret og pulverlakeret stål
(C)	Sikringsstifter	Galvaniseret stål
(D)	Bensamlinger	Aluminium og galvaniseret stål
(E)	Benforbindelser	Aluminium
(F)	Justerbare fødder	Galvaniseret stål
(G)	Justeringshåndtag	Galvaniseret stål
(H)	Midtersektion	Aluminium
(I)	Tilkoblingsstifter	Galvaniseret stål
(J)	Vaterpas	

Vægtkapaciteter:

Kapacitet af materialehåndtering: 205 kg (452 pund)

1.0 PRODUKTANVENDELSE

- 1.1 FORMÅL:** Davit-baser er designede monteringspunkter til kompatible 3M davit-systemer. Se de relevante Davit-systemvejledninger for brug af system og funktionalitet.
- 1.2 STANDARDER:** Denne Davit-base lever op til de nationale eller regionale standarder, der er angivet på forsiden af denne brugsanvisning. Hvis dette produkt videresælges uden for det oprindelige modtagerland, skal den person, der videresælger, sørge for vejledning i brug, vedligeholdelse, regelmæssig inspektion og reparation på sproget i det land, hvor produktet skal bruges.
- 1.3 INSTALLATION OG OPSYN:** En kvalificeret person skal holde opsyn med installationen af Davit-basen¹. En kvalificeret person² skal godkende, at den strukturelle installation opfylder lokale og nationale bestemmelser. En kvalificeret person skal anbefale passende fastgørelseselementer og korrekt placering af Davit-basen. En kvalificeret person skal holde opsyn med brugen af Daviten og det fastgjorte faldsikringsudstyr.
- 1.4 STEDDOKUMENTATION:** Efter samling og installation af davit-baser skal installatøren udfylde "Installationsdokumentation" for at sikre opfyldelse af de informationsmæssige krav i henhold til EN795 bilag A og overdrage denne til brugerens tildelte repræsentant. Installeringsdokumentationen skal opbevares på brugsstedet med henblik på efterfølgende vurdering.
- 1.5 UDDANNELSE:** Dette udstyr skal monteres og anvendes af personer, der har gennemgået træning i korrekt anvendelse af udstyret. Denne vejledning kan bruges som del af et uddannelsesprogram for medarbejdere og/eller regionale reguleringer. Installatørerne og brugerne af dette udstyr har ansvaret for at sikre, at de er bekendte med denne vejledning, er trænet i rigtig vedligeholdelse og anvendelse af udstyret samt er bekendte med anvendelseskarakteristika, anvendelsesbegrænsninger og konsekvenserne af forkert anvendelse af udstyret.
- 1.6 REDNINGSPLAN:** Når Daviten og det fastgjorte faldsikringsudstyr anvendes, skal arbejdsgiveren have en redningsplan samt midlerne til at implementere den til rådighed og kommunikere denne plan til brugere. Det anbefales at have et uddannet redningshold på stedet. Reddere skal forsynes med udstyr og teknikker til gennemførelse af en vellykket redning. Træning skal gennemføres med jævne mellemrum for at sikre, at redderne har de fornødne færdigheder.
- 1.7 INSPEKTIONSHYPPIGHED:** Davit-basen skal inspiceres af brugeren før hver brug samt af en anden kvalificeret person forskellig fra brugeren mindst en gang om året.³ Inspektionsprocedurer er beskrevet i "*Inspektions- og vedligeholdelsesloggen*". Resultaterne af hver inspektion foretaget af den kvalificerede person skal noteres i kopier af "*Inspektions- og vedligeholdelsesloggen*".

2.0 SYSTEMKRAV

- 2.1 FORANKRING OG FASTGØRELSESELEMENTER:** Enhver struktur og fastgørelseselementer (fastgørelseselementer hvis gældende), som bruges til at fastgøre Davit-basen, skal opfylde "monteringskravene" defineret i tabel 1.
- 2.1 KOMPONENTKOMPATIBILITET:** 3M-udstyr er kun beregnet til brug med andre 3M-godkendte komponenter og delsystemer. Erstatninger eller udskiftninger med ikke-godkendte komponenter eller delsystemer kan bringe udstyrets kompatibilitet i fare og kan påvirke det komplette systems sikkerhed og pålidelighed.
- 2.2 PERSONLIGT FALDSIKRINGSSYSTEM:** Personlige faldsikringssystemer (PFAS), der bruges med systemet, skal overholde gældende faldsikringsstandarder, regler og krav. PFAS'en skal bruge en helkropssele og begrænse standsekraft til følgende værdier:

	Maksimal standsekraft	Frit fald
PFAS med stødabsorberende sikkerhedslinje	6 kN (1.350 pund)	Se vejledningen, som fulgte med dit taljereb eller SRD for begrænsninger for frit fald.
PFAS med selvopruddende enhed (SRD)	6 kN (1.350 pund)	

- 2.3 FARER:** Brug af dette udstyr i områder med miljøfarer kan kræve yderligere sikkerhedsforanstaltninger for at undgå personskade eller beskadigelse af udstyret. Se 3M davit-mastevejledning for specifikke farer, som kan påvirke brugen af systemet.

¹ **Kvalificeret person:** En person, som er i stand til at identificere eksisterende og forudsigelige risici i omgivelserne eller i forhold til arbejdsbetingelser, som er usunde, skadelige eller farlige for medarbejderne, og som har bemyndigelse til at træffe øjeblikkelige korrigerende forholdsregler for at eliminere dem.

² **Kvalificeret person:** En person med en anerkendt grad eller uddannelsesbevis og med omfattende erfaring med faldsikring. Denne person skal kunne designe, analysere, evaluere og specificere faldsikring.

³ **Inspektionshyppighed:** Ekstreme arbejdsforhold (barsk miljø, langvarig brug osv.) kan gøre det nødvendigt at øge den kvalificerede persons inspektionshyppighed.

3.0 SAMLING

3.1 PLANLÆGNING: Planlæg dit faldsikringssystem før montering af høj kapacitet trepunkts Davit-basen. Tag højde for alle faktorer, der kan påvirke din sikkerhed inden, under og efter et fald. Tag alle krav i betragtning, som beskrevet i afsnit 2 og tabel 1 for at bestemme de korrekte fastgøringsanordninger og placeringen for monteringen af høj kapacitet trepunkts Davit-basen på forankringsstrukturen.

- **Forankringer:** Forankringen, som høj kapacitet trepunkts Davit-basen monteres på, skal opfylde forankringsbelastningskravene specificeret i afsnit 2 og vertikalbelastningskravene i tabel 1.

3.2 SAMLING AF HØJ KAPACITET TREPUNKTS DAVIT-BASEN: Figur 5 viser installationen af høj kapacitet trepunkts Davit-basen. Montér høj kapacitet trepunkts Davit-basen på en vandret overflade, som opfylder styrkekravene beskrevet i tabel 1 f.eks. på en beton- eller en stålstruktur:

1. Indsæt benforbindelserne (E) i midtersektionen (H).
2. Læg systemet ud på gulvet i et tilsvarende område, som det er beregnet til at blive brugt i, og udeluk samtidig alle potentielle farer for fald.
3. Hold bensamlingen opret og løft benforbindelsen (E) op på bensamlingen (D) ved hjælp af tapperne på benet for at guide endeforbindelsen på plads med bensamlingen (D) vinkelret på midtersektionen (H).
4. Indsæt tilkoblingsstifterne (I) som er fastgjort på bensamlingen (D) til benforbindelsen (E) og fastgør den ved brug af den fastgjorte ringstift.
5. Gentag for benet på den modsatte side.
6. Justér basesamlingen til den ønskede bredde og indsæt sikringsstifterne (C) helt gennem midtersektionen (H), som derved sikrer benforbindelserne (E). Stram de trevingede skruer (B) på bagsiden af midtersektionen (H).
7. Justér nivelleringsfødderne (F) for at få basesamlingen i niveau ved hjælp af det fastgjorte vaterpas (J) for at sikre at luftboblen er indenfor referencecirklen.

Kontrollér at alle stifter er helt sat i og har ringstifterne på plads før brug. Se Figur 4.

4.0 BRUG

4.1 FØR HVER BRUG: Verificér at dit arbejdsområde og dit personlige faldsikringssystem (PFAS) overholder alle kriterier i afsnit 2, og at der forefindes en formaliseret nødplan. Efterse høj kapacitet trepunkts Davit-basen i henhold til "Bruger"-inspektionspunkterne defineret i "Inspektions- og vedligeholdelseslog" i tabel 2. Brug ikke systemet, hvis inspektionen afslører en usikker eller defekt tilstand. Tag systemet ud af brug og ødelæg det, eller kontakt 3M med henblik på udskiftning eller reparation.

4.2 ARBEJDSOMRÅDE: 3M høj kapacitet trepunkts Davit-basen må kun bruges i de tilladte arbejdsområder mellem de længste sider af bensamlingerne. Se Figur 3.

Arbejdsområde: Systemet kan blive ustabil, hvis det bruges udenfor det sikre arbejdsområde i figur 3.

5.0 INSPEKTION

5.1 INSPEKTIONSHYPPIGHED: Høj kapacitet trepunkts Davit-basen skal efterses efter de intervaller, der er anført i afsnit 1. Inspektionsprocedurerne er beskrevet i "Inspektions- og vedligeholdelseslog" i tabel 2. Efterse alle andre komponenter i faldsikringssystemet iht. den hyppighed og de procedurer, som er beskrevet i producentens instruktioner.

5.2 DEFEKTER: Hvis en inspektion afslører usikre eller fejlbehæftede forhold, skal høj kapacitet trepunkts Davit-basen omgående tages ud af drift, og 3M skal kontaktes med henblik på udskiftning eller reparation. Prøv ikke på at reparere faldsikringssystemet.

Der må kun udføres autoriserede reparationer: Kun 3M eller parter med skriftlig bemyndigelse må foretage reparationer på dette udstyr.

5.3 PRODUKTETS LEVETID: Den driftsmæssige levetid for faldsikringssystemer bestemmes af arbejdsbetingelserne og den konkrete vedligeholdelse. Så længe produktet godkendes ved inspektionen, må det fortsat bruges.

6.0 VEDLIGEHOLDELSE, SERVICE, OPBEVARING


6.1 RENGØRING: Rens med jævne mellemrum høj kapacitet trepunkts Davit-basens metalkomponenter med en blød børste og varmt vand med en mild sæbeopløsning. Sørg for, at delene bliver grundigt skyllet med rent vand.

6.2 SERVICE: Kun 3M eller parter med skriftlig bemyndigelse fra 3M må foretage reparationer på dette udstyr. Hvis høj kapacitet trepunkts Davit-basen har været aktiveret i forbindelse med et fald eller en inspektion afslører usikre eller fejlbehæftede forhold, skal systemet omgående tages ud af drift, og 3M skal kontaktes med henblik på udskiftning eller reparation.

6.3 OPBEVARING OG TRANSPORT: Når det ikke bruges, skal høj kapacitet trepunkts Davit-basen og det tilhørende faldsikringsudstyr opbevares og transporteres på et tørt, køligt, rent sted, hvor det ikke udsættes for direkte sollys. Undgå steder, hvor der kan være kemikaliedampe. Inspicer komponenterne efter længere tids opbevaring.

7.0 MÆRKATER

Figur 6 viser mærkater af høj kapacitet trepunkts Davit-basen. Mærkater skal udskiftes, hvis de ikke er helt læselige. Hver mærkat har følgende information:

	Læs alle instruktioner.
①	A) Fremstillet (år, måned) B) Modelnummer C) Serienummer
②	Sikkert arbejdsområde.
③	Stiftfastgørelsesadvarsel
④	CE standardcertificering
⑤	AS/NZS standardcertificering
⑥	EN1496:2006 klasse B
⑦	8000104 Maksimal Davit-armsforskydning, personligt faldsikringssystem (PFAS), kapacitet for materialehåndtering
⑦	8000105 Maksimal Davit-armsforskydning, personligt faldsikringssystem (PFAS), kapacitet for materialehåndtering

Tabel 3 – Inspektions- og vedligeholdelseslog

Inspektionsdato:		Inspiceret af:	
Komponenter:	Inspektion: (Se afsnit 1 for inspektionshyppigheden)	Bruger	Kvalificeret person ¹
Høj kapacitet trepunkts Davit-base (Figur 2)	Efterse høj kapacitet trepunkts Davit-basen for revner, buler eller svagheder.	<input type="checkbox"/>	<input type="checkbox"/>
	Efterse hele enheden for overdreven korrosion.	<input type="checkbox"/>	<input type="checkbox"/>
	Kontrollér at tilkoblingsstifter og sikringsstifter er sat helt i og sikret af ringstifter, hvis relevant.	<input type="checkbox"/>	<input type="checkbox"/>
Mærkat figur 7	Kontrollér, at alle mærkat er sikkert på plads, og at de er læselige (se "Mærkat")	<input type="checkbox"/>	<input type="checkbox"/>
PFAS og andet udstyr	Ekstra udstyr til personlige faldsikringsystemer (PFAS) (seler, SRL etc.), som bruges med HC trepunkts Davit-basen, skal monteres og efterses i henhold til producentens anvisninger.	<input type="checkbox"/>	<input type="checkbox"/>
Serienummer/-numre:		Købsdato:	
Modelnummer:		Dato for første brug:	
Korrigerende foranstaltning/vedligeholdelse:		Godkendt af:	
		Dato:	
Korrigerende foranstaltning/vedligeholdelse:		Godkendt af:	
		Dato:	
Korrigerende foranstaltning/vedligeholdelse:		Godkendt af:	
		Dato:	
Korrigerende foranstaltning/vedligeholdelse:		Godkendt af:	
		Dato:	
Korrigerende foranstaltning/vedligeholdelse:		Godkendt af:	
		Dato:	
Korrigerende foranstaltning/vedligeholdelse:		Godkendt af:	
		Dato:	
Korrigerende foranstaltning/vedligeholdelse:		Godkendt af:	
		Dato:	
Korrigerende foranstaltning/vedligeholdelse:		Godkendt af:	
		Dato:	
Korrigerende foranstaltning/vedligeholdelse:		Godkendt af:	
		Dato:	
Korrigerende foranstaltning/vedligeholdelse:		Godkendt af:	
		Dato:	
Korrigerende foranstaltning/vedligeholdelse:		Godkendt af:	
		Dato:	

1 Kvalificeret person: En person, som er i stand til at identificere eksisterende og forudsigelige risici i omgivelserne eller i forhold til arbejdsbetingelser, som er usunde, skadelige eller farlige for medarbejderne, og som har bemyndigelse til at træffe øjeblikkelige korrigerende forholdsregler for at eliminere dem.

SICHERHEITSHINWEISE

Vor der Verwendung dieses Einstiegs-/Bergungsgeräts für enge Räume müssen die Sicherheitshinweise in diesen Anweisungen gelesen, verstanden und befolgt werden. NICHTBEACHTUNG KANN ERNSTE VERLETZUNGEN ODER DEN TOD ZUR FOLGE HABEN.

Diese Anweisungen müssen dem Benutzer dieser Ausrüstung zur Verfügung gestellt werden. Bewahren Sie diese Anweisungen für den späteren Gebrauch auf.

Verwendungszweck:

Dieses Einstiegs-/Bergungsgeräts für enge Räume ist für den Gebrauch als Teil eines kompletten persönlichen Absturzsicherungs- oder Rettungssystems vorgesehen.

Die Verwendung in anderen Anwendungen, u. a. bei nicht genehmigten Anwendungen im Materialtransport, Freizeitaktivitäten, Sportaktivitäten oder anderen, nicht in den Benutzeranweisungen oder in den Installationsanweisungen beschriebenen Aktivitäten, wird nicht durch 3M genehmigt und kann zu schweren Verletzungen oder zum Tod führen.

Dieses Gerät darf nur von Personen verwendet werden, die in der Verwendung des Geräts am Arbeitsplatz geschult sind.

WARNUNG

Dieses Einstiegs-/Bergungsgeräts für enge Räume ist Teil eines persönlichen Absturzsicherungs- oder Rettungssystems. Es wird erwartet, dass alle Benutzer vollständig in der sicheren Installation und Bedienung des kompletten Systems geschult werden. **Der unsachgemäße Gebrauch dieses Geräts kann ernste Verletzungen oder den Tod zur Folge haben.** Informationen zur richtigen Auswahl, Bedienung, Installation, Wartung und Instandhaltung sind allen Produktanweisungen und Herstellerempfehlungen zu entnehmen, oder wenden Sie sich an Ihren Vorgesetzten oder an den technischen Service von 3M.

- **Maßnahmen zur Reduzierung der Risiken (die, wenn sie nicht vermieden werden, zu schweren Verletzungen oder zum Tod führen können) im Zusammenhang mit einem Einstiegs-/Bergungsgeräts für enge Räume:**
 - Überprüfen Sie das Gerät vor jeder Verwendung, mindestens aber jährlich und nach jedem Absturz. Überprüfen Sie gemäß den Benutzeranweisungen.
 - Falls bei der Überprüfung eine Gefahr oder ein Mängelzustand festgestellt wird, nehmen Sie das Gerät außer Betrieb und reparieren oder ersetzen Sie es gemäß den Benutzeranweisungen.
 - Jedes Gerät, das einer Absturzsicherung oder Aufprallkräften ausgesetzt war, muss sofort aus dem Betrieb genommen werden. Sehen Sie in den Benutzeranweisungen nach oder kontaktieren Sie 3M Fall Protection.
 - Das Gerät darf nur in der Art und Weise installiert werden, die in den Installationsanweisungen oder in den Benutzeranweisungen angegeben ist. Nicht in der Bedienungsanleitung beschriebene Installationsweisen und Verwendungen müssen schriftlich von 3M Fall Protection genehmigt werden.
 - Das Trägermaterial oder die Struktur, an die das Gerät befestigt ist, muss die statischen Belastungen tragen können, die für das Gerät in den zulässigen Vorgaben angegeben sind. Diese sind in den Benutzeranweisungen oder in den Installationsanweisungen zu finden.
 - Die Anzahl der zulässigen Benutzer nicht überschreiten.
 - Keine Arbeiten unterhalb einer schwebenden Last oder eines im Gurt hängenden Arbeiters verrichten.
 - Vorsicht beim Installieren, Verwenden und Bewegen des Geräts, da durch bewegliche Teile potentielle Quetschpunkte entstehen können. Sehen Sie in den Benutzeranweisungen nach.
 - Stellen Sie sicher, dass angemessene Verfahren zur Absperrung und Sicherung eingehalten wurden, soweit anwendbar.
 - Niemals mit einem System verbinden, das nicht positioniert, vollständig aufgebaut, angepasst und installiert ist. Das System nicht einstellen, wenn eine Person im Gurt hängt.
 - Nur Untersysteme der Absturzsicherung mit dem gekennzeichneten Verankerungspunkt am Gerät verbinden.
 - Stellen Sie vor dem Bohren oder Befestigen sicher, dass keine elektrischen Leitungen, Gasleitungen oder sonstige kritische integrierte Systeme mit dem Bohrer oder dem Gerät in Kontakt geraten.
 - Stellen Sie sicher, dass Absturzsicherungssysteme/Teilsysteme, die aus Komponenten von verschiedenen Herstellern zusammengebaut werden, zueinander passen und den Anforderungen von geltenden Normen, einschließlich ANSI Z359 oder anderen gültigen Absturzsicherungsrichtlinien, Standards oder Anforderungen entsprechen. Ziehen Sie stets einen Sachkundigen oder eine qualifizierte Person zurate, bevor Sie diese Systeme verwenden.
- **Maßnahmen zur Reduzierung der Risiken (die, wenn sie nicht vermieden werden, zu schweren Verletzungen oder zum Tod führen können) im Zusammenhang mit Arbeiten in der Höhe:**
 - Stellen Sie sicher, dass Ihre gesundheitliche und körperliche Verfassung allen Kräften im Zusammenhang mit Arbeiten in der Höhe sicher standhalten kann. Konsultieren Sie Ihren Arzt, wenn Sie Fragen bezüglich Ihrer Fähigkeit haben, diese Ausrüstung zu verwenden.
 - Niemals die zulässige Belastbarkeit für Ihre Absturzsicherungsausrüstung überschreiten.
 - Niemals die maximale Strecke des Absturzes Ihrer Absturzsicherungsausrüstung überschreiten.
 - Verwenden Sie keine Absturzsicherungsausrüstung, die die Prüfung vor dem Einsatz oder andere geplante Prüfungen nicht bestanden haben, oder wenn Sie Bedenken über die Verwendung oder Tauglichkeit dieser Ausrüstung für Ihren Anwendungsbereich haben. Bei allen Fragen wenden Sie sich an den technischen Kundendienst von 3M.
 - Manche Kombinationen mit Teilsystemen und Komponenten können die Funktionsweise dieser Ausrüstung beeinträchtigen. Nur kompatible Verbindungselemente verwenden. Konsultieren Sie 3M, bevor Sie diese Ausrüstung in Kombination mit anderen Komponenten oder Untersystemen verwenden als denen, die in dieser Bedienungsanleitung beschrieben sind.
 - Bei der Arbeit in der Nähe von beweglichen Maschinen (z. B. Kraftdrehknopf von Ölplattformen), elektrischen Gefahrenherden, extremen Temperaturen, chemischen Gefahren, explosiven oder toxischen Gasen, scharfen Kanten oder unterhalb von über dem Kopf befindlichen Materialien, die auf Sie oder die Absturzsicherung fallen könnten, besonders vorsichtig vorgehen.
 - Bei Arbeiten in Umgebungen mit hohen Temperaturen Vorrichtungen für Schweißlichtbogen oder Heißenarbeiten verwenden.
 - Oberflächen und Gegenstände vermeiden, die dem Benutzer oder der Ausrüstung schaden könnten.
 - Stellen Sie bei Arbeiten in der Höhe einen angemessenen Fallraum sicher.
 - Niemals versuchen, die Absturzsicherung zu modifizieren. Nur 3M oder Dritte, die hierzu schriftlich von 3M autorisiert sind, dürfen Reparaturen an der Ausrüstung vornehmen.
 - Vergewissern Sie sich vor dem Einsatz der Absturzsicherung, dass ein Rettungsplan vorliegt, durch dessen Mittel eine unverzügliche Rettung bei einem Absturz ermöglicht wird.
 - Wenn es zu einem Absturz kommt, muss für den abgestürzten Arbeiter sofort ein Arzt hinzugezogen werden.
 - Verwenden Sie für Absturzsicherungsanwendungen keinen Haltegurt. Verwenden Sie nur einen Ganzkörper-Auffanggurt.
 - Minimieren Sie Pendelstürze, indem Sie so nahe wie möglich am Verankerungspunkt arbeiten.
 - Beim Training mit dieser Vorrichtung muss ein zweites Absturzsicherungssystem in der Weise angewendet werden, dass der Trainingsteilnehmer keiner unbeabsichtigten Absturzgefahr ausgesetzt wird.
 - Beim Zusammenbau, der Verwendung oder Prüfung der Vorrichtung stets eine entsprechende persönliche Schutzausrüstung tragen.

Übertragen Sie die Angaben zur Produktidentifikation vor der Installation und Verwendung dieser Ausrüstung vom ID-Etikett in das Inspektions- und Wartungsprotokoll (Tabelle 2) am Ende dieses Handbuchs.

PRODUKTBESCHREIBUNG:

Abbildung 1 zeigt die 3M™ DBI-SALA® Hochlast-Grundplatte für den dreiteiligen Rettungs-/Bergungskran für enge Raumzugänge. Die Hochlast-Grundplatte für den dreiteiligen Kran muss auf einer horizontalen Oberfläche montiert werden und den Mast eines kompatiblen 3M DBI-SALA-Hochlast-Krans für den Zugang zu engen Räumen und Rettung aufnehmen.

Abbildung 2 zeigt die Komponenten der Hochlast-Grundplatte für den dreiteiligen Kran, wie in Tabelle 1 angegeben ist. Die Hochlast-Grundplatte für den dreiteiligen Kran besteht aus einem Mittelteil (H) mit integrierter Kranhülse (A) und beidseitig verschiebbaren Beinverbindungen (E), die mit den Arretierbolzen (C) und den TRI-Schrauben (B) an der gewünschten Breite arretiert werden. Die Beinbaugruppen (D) sind mit den Verbindungsstiften (I) an den Beinverbindungen (E) befestigt und können mit den verstellbaren Füßen (F) mithilfe der Einstellgriffe (G) in der Höhe eingestellt werden.

Tabelle 1 – Spezifikationen

Spezifikationen der Krangrundplatte:		
Abmessungen	Siehe Abbildung 1 mit den Abmessungen der Krangrundplatte	
Gewicht Krangrundplatte	8000104 37,5 kg (82,7 lbs) 8000105 50,5 kg (111,3 lbs)	
Kompatibilität	Die in dieser Anleitung behandelten Krangrundplatten sind mit 3M™ DBI-SALA®-Systemen mit hoher Kapazität mit kurzem und langem Ausleger kompatibel.	
Mindestmontageanforderungen:		
Vertikalbelastung nach Struktur:	13,8 kN (3.100 lbs)	
Spezifikation der Bauteile:		
Siehe Abbildung 2	Komponente	Materialien
Ⓐ	Auslegerhülse	Aluminium mit HD-Polyethylen
Ⓑ	Schrauben mit Dreisterngriff	Verzinkter und pulverbeschichteter Stahl
Ⓒ	Federstifte	Verzinkter Stahl
Ⓓ	Beinbauteile	Aluminium und verzinkter Stahl
Ⓔ	Beinverbindungen	Aluminium
Ⓕ	Justierbare Füße	Verzinkter Stahl
Ⓖ	Einstellgriffe	Verzinkter Stahl
Ⓗ	Mittelteil	Aluminium
Ⓘ	Steckbolzen	Verzinkter Stahl
Ⓙ	Libelle	
Tragfähigkeiten:		
Materialtragfähigkeit	205 kg (452 lbs)	

1.0 PRODUKTANWENDUNG

- 1.1 VERWENDUNGSZWECK:** Mastausleger-Basen sind konstruierte Befestigungspunkte für kompatible Mastausleger-Systeme von 3M. Zur Anwendung und zu den Funktionen siehe die Anleitung für das jeweilige Mastausleger-System.
- 1.2 NORMEN:** Diese Mastausleger-Basis entspricht der/den vorne auf diesem Handbuch angegebenen nationalen bzw. regionalen Norm(en). Wenn dieses Produkt außerhalb des ursprünglichen Bestimmungslandes wiederverkauft wird, muss der Wiederverkäufer diese Anweisungen in der Sprache des Landes zur Verfügung stellen, in dem das Produkt verwendet werden wird.
- 1.3 MONTAGE UND BEAUFSICHTIGUNG:** Die Montage der Mastausleger-Basis muss von einem Sachkundigen beaufsichtigt werden¹. Eine qualifizierte Person² muss sicherstellen, dass die Montage an dem Bauwerk den Vorschriften der Regional- und Bundesbehörden entspricht. Eine qualifizierte Person muss Empfehlungen für geeignete Befestigungen und die richtige Platzierung der Mastausleger-Basis geben. Die Verwendung des Mastauslegers und der daran befestigten Absturzsicherungen muss von einem Sachkundigen beaufsichtigt werden.
- 1.4 STANDORTDOKUMENTATION:** Nach Zusammenbau und Montage der Mastausleger-Basen muss die Montagedokumentation, die in EN795 Anhang A geforderten Informationen enthalten muss, durch den Monteur vervollständigt werden, der sie dann dem benannten Vertreter des Benutzers übergibt. Die Montagedokumentation muss zur späteren Prüfung am Arbeitsort aufbewahrt werden.
- 1.5 SCHULUNG:** Die Ausrüstung muss von Personen, die in der richtigen Anwendung geschult sind, installiert und verwendet werden. Dieses Handbuch kann als Teil eines Mitarbeiterschulungsprogramms bzw. für örtliche Regelungen verwendet werden. Es unterliegt der Verantwortung der Benutzer und Installateure dieser Ausrüstung, sicherzustellen, dass sie mit diesen Anweisungen vertraut sind und bezüglich korrekter Pflege und Einsatzweise geschult wurden. Zudem müssen sie die Betriebsmerkmale, Anwendungseinschränkungen und die Folgen eines nicht ordnungsgemäßen Gebrauchs dieser Ausrüstung kennen.
- 1.6 RETTUNGSPLAN:** Bei Verwendung des Mastauslegers sowie daran befestigter Absturzsicherungen muss der Arbeitgeber einen Rettungsplan und die Mittel zu dessen Durchführung sowie zur Weitergabe dieses Plans an die Anwender vorsehen. Es wird empfohlen, vor Ort ein ausgebildetes Rettungsteam bereitzuhalten. Die Teammitglieder sind mit den nötigen Geräten und Techniken für eine erfolgreiche Rettung auszustatten. Es sollten regelmäßig Schulungen durchgeführt werden, damit die Befähigung des Rettungsteams stets gewährleistet ist.
- 1.7 INSPEKTIONSHÄUFIGKEIT:** Die Mastausleger-Basis muss vom Anwender vor jeder Benutzung und zusätzlich mindestens einmal jährlich von einem Sachkundigen, der nicht der Anwender ist, inspiziert werden.³ Die Inspektionsaktivitäten werden im „Inspektions- und Wartungsprotokoll“ beschrieben. Tragen Sie die Ergebnisse jeder Inspektion durch einen Sachkundigen in das „Inspektions- und Wartungsprotokoll“ ein.

2.0 SYSTEMVORAUSSETZUNGEN

- 2.1 VERANKERUNG UND BEFESTIGUNGEN:** Zur Anbringung der Mastausleger-Basis verwendete Bauwerke sowie ggf. verwendete Befestigungen müssen die Tabelle 1 angegebenen „Montageanforderungen“ erfüllen.
- 2.1 KOMPATIBILITÄT DER BAUTEILE:** Die Geräte von 3M sind ausschließlich zur Verwendung mit anderen von 3M freigegebenen Bauteilen und Teilsystemen ausgelegt. Ein Austausch gegen nicht genehmigte Bauteile oder Teilsysteme kann die Kompatibilität der Ausrüstung und die Sicherheit und Zuverlässigkeit des gesamten Systems gefährden.
- 2.2 PERSÖNLICHE SCHUTZAUSRÜSTUNG GEGEN ABSTURZ (PSAGA):** Die mit diesem System verwendeten persönlichen Schutzausrüstungen gegen Absturz (PSAGa) müssen geltende Absturzsicherungsnormen, -codes und -anforderungen erfüllen. Die PSAGa muss über einen Auffanggurt verfügen und die Absturzbremskraft auf die folgenden Werte begrenzen:

	Maximale Bremskraft	Freier Fall:
PSAGa mit Verbindungsmittel mit Falldämpfer	6 kN (1.350 lb)	Sehen Sie die Anweisung(en), die mit dem Verbindungsmittel oder die SRD für Begrenzungen eines freien Falls mitgeliefert wird/werden.
Selbstaufrollende PSAGa	6 kN (1.350 lb)	

- 2.3 GEFAHREN:** Die Verwendung dieser Ausrüstung in Bereichen mit Umweltgefahren kann zusätzliche Sicherheitsmaßnahmen erfordern, um die Verletzungsgefahr und Schäden an der Ausrüstung zu vermeiden. Zu spezifischen Gefahren bei der Verwendung des Systems siehe die Anleitung für Mastausleger von 3M.

¹ **Sachkundiger:** Eine Person, die in der Lage ist, bestehende und vorhersehbare Risiken in der Umgebung oder bei Arbeitsbedingungen zu erkennen, die für Mitarbeiter gesundheitsgefährdend, gefährlich oder risikoreich sind, und die befugt ist, sofort korrigierende Maßnahmen zu ergreifen, um diese Risiken und Gefährdungen zu beseitigen.

² **Qualifizierte Person:** Eine Person mit einem anerkannten Diplom oder einem professionellen Abschluss und umfangreicher Erfahrung in der Absturzsicherung. Diese Person muss sich in Absturzsicherungs-Design, -Analyse, -Bewertung und -Spezifikation auskennen.

³ **Inspektionshäufigkeit:** Extreme Arbeitsbedingungen (raue Umweltbedingungen, andauernde Verwendung usw.) können eine häufigere Inspektion durch einen Sachkundigen erforderlich machen.

3.0 MONTAGE

3.1 PLANUNG: Planen Sie Ihr Absturzschutzsystem vor der Installation der Hochlast-Grundplatte für den dreiteiligen Kran. Berücksichtigen Sie alle Faktoren, die Ihre Sicherheit vor, während und nach einem Absturz beeinträchtigen könnten. Berücksichtigen Sie alle in Abschnitt 2 und Tabelle 1 definierten Anforderungen, um die korrekten Befestigungselemente und den richtigen Platz für die Montage der Hochlast-Grundplatte für den dreiteiligen Kran an der Verankerungsstruktur zu bestimmen.

- **Verankerungen:** Die Verankerung, auf der die Hochlast-Grundplatte für den dreiteiligen Kran montiert ist, muss den in Abschnitt 2 angegebenen Anforderungen an die Verankerungslast und den Anforderungen an die vertikale Last in Tabelle 1 entsprechen.

3.2 MONTAGE DER HOCHLAST-GRUNDPLATTE FÜR DEN DREITEILIGEN KRAN: Abbildung 5 zeigt die Installation der Hochlast-Grundplatte für den dreiteiligen Kran. Montieren Sie die Hochlast-Grundplatte für den dreiteiligen Kran auf einer horizontalen Oberfläche, welche die in Tabelle 1 angegebenen Festigkeitsanforderungen erfüllt, z. B. auf einer Beton- oder Stahlkonstruktion:

1. Setzen Sie die Beinverbindungen (E) in den Mittelteil (H) ein.
2. Legen Sie das System auf dem Boden in dem ungefähren Bereich aus, in dem es verwendet werden soll, und vermeiden Sie mögliche Absturzgefahren.
3. Halten Sie die Beinbaugruppe (D) senkrecht zum Mittelteil (H), und heben Sie die Beinverbindung (E) auf die Beinbaugruppe (D), indem Sie die Laschen an den Beinen verwenden, um die Endverbindung in Position zu bringen.
4. Setzen Sie die Steckbolzen (I) ein und befestigen Sie damit die Beinbaugruppe (D) an der Beinverbindung (E), und sichern Sie sie mit dem angebrachten Federstift.
5. Wiederholen Sie den Vorgang für das andere Seitenbein.
6. Stellen Sie die Basisbaugruppe auf die gewünschte Breite ein und führen Sie die Arretierstifte (C) vollständig durch den Mittelteil (H), um die Beinverbindungen (E) zu sichern. Ziehen Sie die drei Schrauben (B) auf der Rückseite des Mittelteils (H) an.
7. Stellen Sie die Nivellierfüße (F) so ein, dass die Basisbaugruppe eben steht. Verwenden Sie dazu die angefügte Libelle (J) und vergewissern Sie sich, dass die Blase sich im Referenzkreis befindet.

Vergewissern Sie sich vor der Verwendung, dass alle Bolzen vollständig eingesetzt sind und die Federstifte richtig aufgesetzt sind. Siehe Abbildung 4.

4.0 EINSATZ

4.1 VOR JEDEM EINSATZ: Stellen Sie sicher, dass Ihr Arbeitsbereich und Ihre Persönliche Schutzausrüstung gegen Absturz (PSAgA) alle Kriterien erfüllen, die in Abschnitt 2 definiert sind, und dass ein formeller Rettungsplan vorhanden ist. Überprüfen Sie die Hochlast-Grundplatte für den dreiteiligen Kran anhand der Prüfpunkte für den "Benutzer", die im "Inspektions- und Wartungsprotokoll", siehe Tabelle 2, festgelegt sind. Wenn bei der Inspektion Unsicherheiten oder Defekte festgestellt werden, verwenden Sie das System nicht. Nehmen Sie das System außer Betrieb und zerstören Sie es oder kontaktieren Sie 3M für einen Ersatz oder eine Reparatur.

4.2 ARBEITSBEREICH: Die Hochlast-Grundplatte für den dreiteiligen Kran von 3M darf nur im zulässigen Arbeitsbereich zwischen den längsten Seiten der Beinbaugruppen verwendet werden. Sehen Sie Abbildung 3.

Arbeitsbereich: Das System kann instabil werden, wenn es außerhalb des sicheren Arbeitsbereichs in Abbildung 3 verwendet wird.

5.0 INSPEKTION

5.1 INSPEKTIONS-HÄUFIGKEIT: Die Hochlast-Grundplatte für den dreiteiligen Kran muss in den in Abschnitt 1 festgelegten Intervallen einer Inspektion unterzogen werden. Die Inspektionsverfahren sind in "Inspektions- und Wartungsbuch", siehe Tabelle 2, beschrieben. Überprüfen Sie alle anderen Komponenten des Absturzschutzsystems mit den in den Anweisungen des Herstellers definierten Häufigkeiten und Verfahren.

5.2 DEFEKTE: Falls bei der Inspektion ein Sicherheitsproblem oder ein Defekt festgestellt wird, nehmen Sie die Hochlast-Grundplatte für den dreiteiligen Kran unverzüglich außer Betrieb und kontaktieren Sie 3M, um eine Reparatur oder einen Austausch zu veranlassen. Versuchen Sie nicht, das Absturzschutzsystem zu reparieren.

Nur autorisierte Reparaturen: Nur 3M oder Dritte, die hierzu schriftlich autorisiert sind, dürfen Reparaturen an dieser Ausrüstung vornehmen.

5.3 PRODUKT-LEBENSZYKLUS: Die Haltbarkeit des Absturzschutzsystems wird von den Arbeitsbedingungen und der Wartung bestimmt. Solange das Produkt die Inspektionskriterien erfüllt, kann es in Betrieb bleiben.

6.0 WARTUNG, REPARATUR UND LAGERUNG

6.1 REINIGUNG: Reinigen Sie die Hochlast-Grundplatte des dreiteiligen Krans regelmäßig mit einer weichen Bürste, warmem Wasser und einer milden Seifenlösung. Stellen Sie sicher, dass die Teile sorgfältig mit viel klarem Wasser gespült werden.

6.2 WARTUNG: Nur 3M oder Dritte, die hierzu von 3M schriftlich autorisiert sind, dürfen Reparaturen an dieser Ausrüstung vornehmen. Falls die Hochlast-Grundplatte des dreiteiligen Krans Fallkräften ausgesetzt war oder bei der Inspektion ein Sicherheitsproblem oder ein Defekt festgestellt wird, nehmen Sie das System außer Betrieb und kontaktieren Sie 3M, um eine Reparatur oder einen Austausch zu veranlassen.

6.3 LAGERUNG UND TRANSPORT: Lagern Sie die Hochlast-Grundplatte des dreiteiligen Krans und die dazugehörige Absturzschutzsystemausrüstung bei Nichtgebrauch in einer kühlen, trockenen, sauberen Umgebung, in der sie vor direkter Sonneneinstrahlung geschützt ist. Dasselbe gilt für den Transport. Setzen Sie das Produkt keinen chemischen Dämpfen aus. Überprüfen Sie die Komponenten nach langer Lagerung gründlich.

7.0 ETIKETTEN

Abbildung 6 zeigt Etiketten auf der Hochlast-Grundplatte für den dreiteiligen Kran. Etikette müssen ersetzt werden, wenn sie nicht vollständig lesbar sind. Folgende Angaben sind auf jedem Etikett enthalten:


	Lesen Sie alle Anweisungen.
①	A) Hergestellt (Jahr, Monat) B) Modellnummer C) Seriennummer
②	Sicherer Arbeitsbereich
③	Bolzen-Befestigungswarnung
④	CE-Normen-Zertifizierung
⑤	AS/NZS-Normen-Zertifizierung
⑥	EN1496:2006 Klasse B
⑦	8000104 Maximaler Kranauslegerversatz, Persönliche Schutzausrüstung gegen Absturz (PSAgA), Materialtransport-Tragfähigkeit
⑦	8000105 Maximaler Kranauslegerversatz, Persönliche Schutzausrüstung gegen Absturz (PSAgA), Materialtransport-Tragfähigkeit

Tabelle 3 – Inspektions- und Wartungsprotokoll

Inspektionsdatum:		Kontrolliert von:	
Komponenten:	Inspektion: (Siehe Abschnitt 1 für <i>Inspektions-Häufigkeit</i>)	Benutzer	Sachkundiger¹
Hochlast-Grundplatte für den dreiteiligen Kran (Abbildung 2)	Kontrollieren Sie die Hochlast-Grundplatte für den dreiteiligen Kran auf Risse, Kerben und Verformungen.	<input type="checkbox"/>	<input type="checkbox"/>
	Überprüfen Sie die gesamte Einheit auf übermäßige Korrosion.	<input type="checkbox"/>	<input type="checkbox"/>
	Vergewissern Sie sich, dass die Steckbolzen und Arretierstifte ganz eingesteckt und gegebenenfalls mit Federstiften gesichert sind.	<input type="checkbox"/>	<input type="checkbox"/>
Etiketten Abbildung 7	Überprüfen Sie, ob alle Etiketten sicher befestigt und lesbar sind (siehe „Etiketten“).	<input type="checkbox"/>	<input type="checkbox"/>
PSAgA und andere Ausrüstung	Eine zusätzliche persönliche Schutzausrüstung gegen Absturz (PSAgA)-Ausrüstung (Auffanggurt, HSG usw.), die mit der Hochlast-Grundplatte für den dreiteiligen Kran verwendet wird, sollte nach den Anweisungen des Herstellers installiert und geprüft werden.	<input type="checkbox"/>	<input type="checkbox"/>

Seriennummer(n):	Kaufdatum:
Modellnummer:	Datum des ersten Einsatzes:
Abhilfemaßnahme/Wartung:	Genehmigt von:
	Datum:
Abhilfemaßnahme/Wartung:	Genehmigt von:
	Datum:
Abhilfemaßnahme/Wartung:	Genehmigt von:
	Datum:
Abhilfemaßnahme/Wartung:	Genehmigt von:
	Datum:
Abhilfemaßnahme/Wartung:	Genehmigt von:
	Datum:
Abhilfemaßnahme/Wartung:	Genehmigt von:
	Datum:
Abhilfemaßnahme/Wartung:	Genehmigt von:
	Datum:
Abhilfemaßnahme/Wartung:	Genehmigt von:
	Datum:
Abhilfemaßnahme/Wartung:	Genehmigt von:
	Datum:
Abhilfemaßnahme/Wartung:	Genehmigt von:
	Datum:
Abhilfemaßnahme/Wartung:	Genehmigt von:
	Datum:

¹ **Sachkundiger:** Eine Person, die in der Lage ist, bestehende und vorhersehbare Risiken in der Umgebung oder bei Arbeitsbedingungen zu erkennen, die für Mitarbeiter gesundheitsgefährdend, gefährlich oder risikoreich sind, und die befugt ist, sofort korrigierende Maßnahmen zu ergreifen, um diese Risiken und Gefährdungen zu beseitigen.

INFORMACIÓN DE SEGURIDAD

Lea, comprenda y cumpla con todo lo dispuesto en la información de seguridad contenida en estas instrucciones antes de utilizar este dispositivo de entrada/rescate en espacios confinados. **SI NO LO HACE, PUEDE SUFRIR GRAVES LESIONES O LA MUERTE.**

Estas instrucciones deben entregarse al usuario de este equipo. Conserve las instrucciones para futuras consultas.

Uso previsto:

Este dispositivo de entrada/rescate en espacios confinados está pensado para ser utilizado como parte de un sistema completo de protección contra caídas o sistema de rescate.

El empleo en cualquier otra aplicación, entre otras, las aplicaciones no aprobadas en la manipulación de materiales, actividades de recreo o deportivas, u otras actividades no descritas en las instrucciones para el usuario o en las instrucciones de instalación, no está aprobado por 3M y puede provocar lesiones graves o la muerte.

Este dispositivo solo deben usarlo usuarios formados en su utilización en aplicaciones dentro del lugar de trabajo.



ADVERTENCIA

Este dispositivo de entrada/rescate en espacios confinados es parte de un sistema completo de protección contra caídas o sistema de rescate. Se espera que todos los usuarios se hayan formado completamente en la instalación y uso seguro del sistema completo. **El mal uso de este dispositivo puede provocar lesiones graves o la muerte.** Para una adecuada selección, uso, instalación mantenimiento, inspección y reparación, consulte las instrucciones del producto y todas las recomendaciones del fabricante, contacte con su supervisor o con el servicio técnico de 3M.

- **Para reducir los riesgos asociados con trabajar con dispositivos de entrada/rescate en espacios confinados que, si no se evitan, pueden provocar lesiones graves o la muerte:**
 - Inspeccione el dispositivo antes de cada uso, al menos, con una periodicidad anual, y después de que el sistema haya soportado una caída. Realice la inspección según las instrucciones del producto.
 - Si la inspección revela una situación poco segura o algún defecto, retire el dispositivo del servicio, repárelo o reemplácelo, según se indique en estas instrucciones.
 - Cualquier dispositivo que haya estado sometido a una fuerza de detención de caídas o impacto deberá retirarse inmediatamente del servicio. Consulte las Instrucciones para el usuario o póngase en contacto con 3M Fall Protection.
 - El dispositivo debe instalarse solo de la forma detallada en las instrucciones de instalación o en las instrucciones del usuario. La instalación y uso fuera del alcance de las instrucciones deben ser aprobados por escrito por 3M Fall Protection.
 - El substrato o la estructura a la que se fije el dispositivo debe poder soportar las cargas estáticas especificadas para el dispositivo en las orientaciones permitidas en las instrucciones del usuario o en las instrucciones de instalación.
 - No exceda el número de usuarios permitidos.
 - Nunca trabaje bajo una carga o un trabajador suspendidos.
 - Tenga precaución al instalar, usar y trasladar el dispositivo, ya que las partes móviles pueden crear posibles puntos de enganche. Consulte las instrucciones del usuario.
 - Asegúrese de que se han seguido los procedimientos de bloqueo/etiquetado aplicables adecuados.
 - No se conecte nunca a un sistema hasta que esté posicionado, completamente montado, ajustado e instalado. No ajuste el sistema cuando haya un usuario conectado.
 - Conecte solo subsistemas de protección contra caídas en el punto conector de anclaje designado del dispositivo.
 - Antes de taladrar o ajustar, asegúrese de que no hay cables eléctricos, tuberías de gas u otros sistemas críticos que puedan entrar en contacto con el taladro o el dispositivo.
 - Asegúrese de que los sistemas/subsistemas de protección contra caídas conectados con componentes hechos por distintos fabricantes son compatibles y cumplen los requisitos de las normas aplicables, incluyendo los ANSI Z359 u otros códigos, normas o requisitos de protección contra caídas aplicables. Consulte siempre con personal cualificado o competente antes de usar estos sistemas.
- **Para reducir los peligros asociados con el trabajo en altura que, si no se evitan, pueden provocar lesiones graves o la muerte:**
 - Asegúrese de que su salud y condición física le permiten resistir con seguridad todas las fuerzas asociadas con el trabajo en altura. Consulte con su médico si tiene alguna pregunta con respecto a su capacidad para utilizar este equipo.
 - Nunca exceda la capacidad de carga de su equipo de protección contra caídas.
 - Nunca exceda la distancia máxima de caída libre de su equipo de protección contra caídas.
 - No utilice ningún equipo de protección contra caídas que haya fallado antes de usarse o no haya pasado otras inspecciones programadas, o si tiene dudas sobre el uso o la idoneidad del equipo para su aplicación. Póngase en contacto con los servicios técnicos de 3M si tiene cualquier pregunta.
 - Algunas combinaciones de subsistemas y componentes pueden perjudicar el funcionamiento del equipo. Use solo conectores compatibles. Consulte con 3M antes de emplear este equipo con componentes o subsistemas distintos de los descritos en las instrucciones para el usuario.
 - Extrema la precaución cuando se encuentre alrededor de maquinaria en movimiento (p. ej., mecanismos de activación superiores de plataformas petrolíferas), cuando existan riesgos eléctricos, temperaturas extremas, peligros químicos, gases explosivos o tóxicos, bordes afilados o materiales que se encuentren por encima de usted y que podrían caer sobre usted o sobre el equipo de protección contra caídas.
 - Use dispositivos para trabajos en caliente o arco eléctrico cuando trabaje en ambientes a altas temperaturas.
 - Evite superficies y objetos que puedan dañar al usuario o al equipo.
 - Asegúrese de que haya una distancia de caída adecuada cuando trabaje en altura.
 - Nunca modifique o altere su equipo de protección contra caídas. Sólo 3M o las partes autorizadas por escrito por 3M pueden reparar el equipo.
 - Antes de usar el equipo de protección contra caídas, asegúrese de que existe un plan de rescate que permita un rápido rescate si se produce un incidente de caída.
 - Si hubiese un incidente de caída, busque atención médica inmediatamente para el trabajador que se haya caído.
 - No utilice un cinturón corporal para las aplicaciones de detención de caídas. Use sólo un arnés de cuerpo completo.
 - Trabaje en un lugar situado lo más directamente posible por debajo del punto de anclaje para minimizar la posibilidad de caídas con balanceo.
 - Si se está formando con este dispositivo, se debe utilizar un sistema de protección contra caídas secundario de manera que no exponga al aprendiz a un riesgo de caída involuntaria.
 - Lleve siempre el equipo de protección individual apropiado cuando instale, use o inspeccione el dispositivo/sistema.

Antes de instalar y utilizar este equipo, anote los datos identificativos del producto, indicados en la etiqueta de identificación, en la sección "Registro de inspección y mantenimiento" (Tabla 3), dispuesta al final de este manual.

DESCRIPCIÓN DEL PRODUCTO:

En la Figura 1 se ilustra la base de pescante de alta capacidad de tres piezas de entrada/rescate para espacios confinados 3M™ DBI-SALA®. La base de pescante de alta capacidad de tres piezas está diseñada para ser montada sobre una superficie horizontal y para que le sea acoplado un mástil de un pescante compatible de alta capacidad de entrada/rescate para espacios confinados 3M DBI-SALA.

En la Figura 2 se ilustran los componentes de la base de pescante de alta capacidad de tres piezas, cuyas especificaciones se recogen en la Tabla 1. La base de pescante de alta capacidad de tres piezas consta de una sección central (H), que integra un manguito de pescante (A), y de conectores de patas deslizantes ajustables (E) en ambos lados que se bloquean hasta conseguir la anchura deseada con pasadores de fijación (C) y pomos triangulares de cierre roscado (B). Los conjuntos de las patas (D) se acoplan a los conectores de patas (E) mediante pasadores de enganche (I) y su altura se puede ajustar con los pies ajustables (F) mediante los mangos de ajuste (G).

Tabla 1: Especificaciones

Especificaciones de la base de pescante:		
Dimensiones	Consulte la Figura 1 para acceder a las dimensiones de la base de pescante.	
Peso de la base de pescante	8000104 37,5 kg (82,7 lb) 8000105 50,5 kg (111,3 lb)	
Compatibilidad	Las bases de pescante tratadas en estas instrucciones son compatibles con sistemas de pescante de corto y largo alcance de alta capacidad (AC) 3M™ DBI-SALA®.	
Carga vertical por estructura:	13,8 kN (3100 lb)	
Especificación de componentes:		
Referencia de la Figura 2	Componente	Materiales
Ⓐ	Manguito de pescante	Aluminio con polietileno de alta densidad
Ⓑ	Pomos triangulares de cierre roscado	Acero galvanizado y recubierto de polvo metalizado
Ⓒ	Pasadores de fijación	Acero galvanizado
Ⓓ	Conjuntos de ramales	Aluminio y acero galvanizado
Ⓔ	Conectores de patas	Aluminio
Ⓕ	Pies ajustables	Acero galvanizado
Ⓖ	Mangos de ajuste	Acero galvanizado
Ⓗ	Sección del centro	Aluminio
Ⓘ	Pasadores de enganche	Acero galvanizado
Ⓙ	Nivel	
Capacidades de peso:		
Capacidad de manipulación de materiales		205 kg (452 lb)

1.0 APLICACIÓN DEL PRODUCTO

- 1.1 PROPÓSITO:** Las bases pescantes son puntos de montaje diseñados para sistemas pescantes 3M compatibles. Consulte las instrucciones del sistema pescante correspondiente para conocer el uso y funciones del sistema.
- 1.2 NORMAS:** Esta base pescante cumple las normas nacionales o regionales identificadas en la cubierta de estas instrucciones. Si se revende este producto fuera del país de destino original, el revendedor debe proporcionar estas instrucciones en el idioma del país en donde se utilizará el producto.
- 1.3 INSTALACIÓN Y SUPERVISIÓN:** Una persona competente debe supervisar la instalación de la base pescante¹. Una persona cualificada² debe verificar que la instalación estructural cumple con la normativa local y federal. Una persona cualificada debe recomendar los dispositivos de fijación adecuados y la colocación idónea de la base pescante. Una persona competente debe supervisar el uso del pescante y del equipo de protección contra caídas conectado.
- 1.4 DOCUMENTACIÓN DEL LUGAR DE TRABAJO:** Después del montaje y la instalación de las bases pescantes, el instalador debe completar la documentación de instalación conforme a los requisitos informativos del Anexo A EN795 y entregar, a continuación, dicha documentación al representante designado por el usuario. La documentación de instalación debe mantenerse en el lugar de trabajo para futuras revisiones.
- 1.5 FORMACIÓN:** Este equipo lo deben instalar y utilizar personas que hayan recibido formación sobre su correcta aplicación. Se puede usar el presente manual como parte de un programa de formación para empleados o como normativa regional. Es responsabilidad de los usuarios e instaladores de este equipo familiarizarse con estas instrucciones, formarse en cuanto al cuidado y uso correcto del mismo, y conocer a fondo las características de funcionamiento, las limitaciones de uso y las consecuencias del uso incorrecto de este equipo.
- 1.6 PLAN DE RESCATE:** Al utilizar el equipo de protección contra caídas conectado y el pescante, el empleador debe tener un plan de rescate y los medios a mano para implementarlo, así como comunicar el plan a los usuarios. Se recomienda tener en el centro un equipo de rescate con formación. Se deben proporcionar a los miembros del equipo las técnicas y el equipo para llevar a cabo un rescate con éxito. Se debe proporcionar de forma periódica formación a los responsables del rescate para garantizar su competencia.
- 1.7 FRECUENCIA DE INSPECCIÓN:** El usuario debe revisar la base pescante antes de cada uso y, además, debe revisarlo también una persona con las competencias idóneas que no sea el usuario, en intervalos no superiores a un año.³ Los procedimientos de inspección se describen en el "Registro de inspección y mantenimiento". Los resultados de la inspección de cada persona competente deben registrarse en copias del "Registro de inspección y mantenimiento".

2.0 REQUISITOS DEL SISTEMA

- 2.1 ANCLAJE Y DISPOSITIVOS DE SUJECCIÓN:** Todas las estructuras y los dispositivos de sujeción (si corresponde) usadas para conectar la base pescante deben cumplir los "Requisitos de montaje" definidos en la Tabla 1.
- 2.1 COMPATIBILIDAD DE COMPONENTES:** El equipo 3M está diseñado para su uso con otros componentes y subsistemas aprobados por 3M. Las sustituciones que se hagan con componentes o subsistemas no aprobados pueden poner en peligro la compatibilidad del equipo y afectar a la seguridad y fiabilidad de todo el sistema.
- 2.2 SISTEMA PERSONAL DE DETENCIÓN DE CAÍDAS:** Los sistemas personales de detención de caídas (PFAS) usados con este equipo deben cumplir los requisitos, códigos y estándares aplicables para protección anticaídas. El PFAS debe usar un arnés de cuerpo completo y limitar la fuerza de detención a los siguientes valores:

	Fuerza máxima de detención	Caída libre
PFAS con eslinga de absorción de impacto	6 kN (611,8 kg)	Consulte las instrucciones incluidas con su eslinga o SRD para las limitaciones de caída libre.
PFAS con dispositivo autorretráctil (SRD)	6 kN (611,8 kg)	

- 2.3 PELIGROS:** El uso de este equipo en zonas con peligros en el entorno puede requerir precauciones adicionales para evitar que se produzcan lesiones personales o daños al equipo. Consulte las instrucciones del mástil del pescante de 3M para obtener más información sobre los riesgos específicos que pueden afectar al uso del sistema.

1 Persona competente: Individuo que es capaz de identificar peligros existentes y predecibles en el entorno o condiciones de trabajo insalubres, nocivas o peligrosas para los/las empleados/as y que cuenta con autorización para tomar medidas correctivas rápidas conducentes a su supresión.

2 Personal cualificado: Individuos debidamente cualificados o con certificación profesional y experiencia suficiente en sistemas de protección anticaídas. Estas personas deberán ser capaces de diseñar, analizar, evaluar y especificar sistemas de protección anticaídas.

3 Frecuencia de inspección: Las condiciones de trabajo extremas (entornos hostiles, uso prolongado, etc.) hacen que sea necesario aumentar la frecuencia de las inspecciones que realizan las personas competentes.

3.0 MONTAJE

3.1 PLANIFICACIÓN: Planifique su sistema de protección contra caídas antes de instalar la base de pescante de alta capacidad de tres piezas. Tenga en cuenta todos los factores que podrían afectar a su seguridad antes, en el transcurso y después de una caída. Considere todos los requisitos definidos en la sección 2 y en la Tabla 1 para determinar los dispositivos de fijación y la colocación adecuados con vistas a instalar la base de pescante de alta capacidad de tres piezas en la estructura de anclaje.

- **Anclaje:** El anclaje en el que se monte la base de pescante de alta capacidad de tres piezas deberá cumplir con los requisitos de carga del anclaje, especificados en la sección 2, y con los requisitos de carga vertical, que figuran en la Tabla 1.

3.2 MONTAJE DE LA BASE DE PESCANTE DE ALTA CAPACIDAD: En la Figura 5 se ilustra la instalación de la base de pescante de alta capacidad de tres piezas. Monte la base de pescante de alta capacidad de tres piezas sobre una superficie horizontal que cumpla los requisitos de resistencia especificados en la Tabla 1, por ejemplo, sobre una estructura de hormigón o de acero:

1. Inserte los conectores de patas (E) en la sección central (H).
2. Disponga el sistema sobre el suelo del emplazamiento aproximado donde se tiene previsto utilizar, al tiempo que se suprime cualquier posible riesgo de caída.
3. Oriente el conjunto de patas (D) de modo que quede en perpendicular con respecto a la sección central (H); mientras mantiene el conjunto de patas en posición vertical, levante el conector de patas (E) y póngalo sobre dicho conjunto (D) mediante las lengüetas que hay en las patas de modo que facilite la inserción del conector del extremo en su sitio.
4. Inserte los pasadores de enganche (I) fijando el conjunto de patas (D) al conector de patas (E) y asegúrelos mediante los pasadores con anillo abatible integrados.
5. Repita el proceso con las patas del lado opuesto.
6. Ajuste el conjunto de la base hasta alcanzar la anchura deseada e inserte los pasadores de fijación (C) por completo a través de la sección central (H) fijando los conectores de patas (E). Apriete los pomos triangulares de cierre roscado (B), ubicados en la parte posterior de la sección central (H).
7. Ajuste los pies de nivelación (F) de modo que el conjunto de la base quede nivelado, ayudándose del nivel integrado (J) y asegurándose de que la burbuja de este se sitúe dentro del círculo de referencia.

Confirme que todos los pasadores queden insertados por completo y que los pasadores con anillo abatible estén en su lugar, antes de utilizar el sistema. Consulte la Figura 4.

4.0 USO

4.1 ANTES DE CADA USO: Asegúrese de que el área de trabajo así como el sistema personal de detención de caídas (PFAS) cumplan todos los criterios definidos en la sección 2 y que se haya implantado un plan de rescate oficial. Revise la base de pescante de alta capacidad de tres piezas siguiendo los puntos de inspección del apartado "Usuario" del "Registro de inspección y mantenimiento" en la tabla 2. No utilice el sistema si la inspección revela un estado no seguro o defectuoso. Deje de usarlo y deséchelo, o póngase en contacto con 3M para sustituirlo o repararlo.

4.2 ÁREA DE TRABAJO: La base de pescante de alta capacidad de tres piezas 3M solamente deberá ser utilizada en el área de trabajo autorizada entre los lados de mayor longitud de los conjuntos de las patas. Consulte la Figura 3.

Área de trabajo: El sistema podría desestabilizarse si se utilizara fuera del área de trabajo segura de la Figura 3.

5.0 INSPECCIÓN

5.1 FRECUENCIA DE INSPECCIÓN: La base de pescante de alta capacidad de tres piezas se deberá inspeccionar en los intervalos definidos en la sección 1. Los procedimientos de inspección se describen en la sección "Registro de inspección y mantenimiento" en la tabla 2. Inspeccione todos los demás componentes del sistema de protección contra caídas según las frecuencias y los procedimientos definidos en las instrucciones del fabricante.

5.2 DEFECTOS: Si la inspección revela un estado poco seguro o defectuoso, deje de usar la base de pescante de alta capacidad de tres piezas inmediatamente y póngase en contacto con 3M para su sustitución o reparación. No intente reparar el sistema de detención de caídas.

Solo reparaciones autorizadas: Solo 3M o las partes autorizadas por escrito podrán reparar este equipo.

5.3 VIDA ÚTIL DEL PRODUCTO: La vida útil del sistema de detención de caídas viene determinada por las condiciones de trabajo y el mantenimiento. Siempre que el producto pase los criterios de inspección, puede seguir utilizándose.

6.0 MANTENIMIENTO, REPARACIÓN Y ALMACENAMIENTO

6.1 LIMPIEZA: Limpie los componentes de metal de la base de pescante de alta capacidad de tres piezas periódicamente con un cepillo suave, agua templada y una solución jabonosa suave. Asegúrese de enjuagar perfectamente las piezas con abundante agua limpia.

6.2 REPARACIÓN: Solo 3M o las partes autorizadas por escrito por 3M podrán reparar este equipo. Si la base de pescante de alta capacidad de tres piezas se ha visto sometida a fuerzas de caída, o si la inspección revela un estado poco seguro o defectuoso, deje de usar el sistema inmediatamente y póngase en contacto con 3M para su sustitución o reparación.

6.3 ALMACENAMIENTO Y TRANSPORTE: Cuando no estén en uso la base de pescante de alta capacidad de tres piezas y el equipo de protección anticaídas correspondiente, transpórtelos a un entorno fresco, seco y limpio, alejado de la luz solar directa, y guárdelos en dicho lugar. Evite zonas donde pueda haber vapores químicos. Inspeccione exhaustivamente los componentes después de un período prolongado de almacenamiento.

7.0 ETIQUETAS

En la Figura 6 se ilustran las etiquetas de la base de pescante de alta capacidad de tres piezas. Si las etiquetas no son plenamente legibles, deberán sustituirse. La información de las etiquetas es la siguiente:


	Lea todas las instrucciones.
1	A) Fecha de fabricación (año, mes) B) Número de modelo C) Número de serie
2	Área de trabajo segura
3	Advertencia de fijación de pasadores
4	Certificación de cumplimiento de la normativa CE
5	Certificación de cumplimiento de las normas AS/NZS
6	Dispositivo clase B conforme a la norma EN 1496:2006
7	8000104 Desviación máxima del brazo pescante, sistema personal de detención de caídas (PFAS), capacidad de manipulación de materiales
7	8000105 Desviación máxima del brazo pescante, sistema personal de detención de caídas (PFAS), capacidad de manipulación de materiales

Tabla 3: Registro de inspección y mantenimiento

Fecha de la inspección:		Inspeccionado por:	
Componentes:	Inspección: (Consulte la sección 1 para conocer la frecuencia de las inspecciones.)	Usuario	Persona competente ¹
Base de pescante de alta capacidad de tres piezas (Figura 2)	Inspeccione la base de pescante de alta capacidad de tres piezas en busca de fisuras, mellas o deformaciones.	<input type="checkbox"/>	<input type="checkbox"/>
	Inspeccione el equipo completo para comprobar si existe corrosión excesiva.	<input type="checkbox"/>	<input type="checkbox"/>
	Confirme que los pasadores de enganche y los pasadores de fijación estén insertados por completo y, si fuera necesario, fijados mediante pasadores con anillo abatible.	<input type="checkbox"/>	<input type="checkbox"/>
Etiquetas (Figura 7)	Verifique que todas las etiquetas de seguridad estén correctamente fijadas y sean legibles (consulte "Etiquetas")	<input type="checkbox"/>	<input type="checkbox"/>
PFAS y otros equipos	El equipo adicional (arnés, SRL, etc.) para el sistema personal de detención de caídas (PFAS) que se utilice con la base de pescante de alta capacidad de tres piezas debe instalarse e inspeccionarse conforme a las instrucciones del fabricante.	<input type="checkbox"/>	<input type="checkbox"/>

Números de serie:	Fecha de compra:
Número de modelo:	Fecha del primer uso:
Acción correctora/mantenimiento:	Aprobado por:
	Fecha:
Acción correctora/mantenimiento:	Aprobado por:
	Fecha:
Acción correctora/mantenimiento:	Aprobado por:
	Fecha:
Acción correctora/mantenimiento:	Aprobado por:
	Fecha:
Acción correctora/mantenimiento:	Aprobado por:
	Fecha:
Acción correctora/mantenimiento:	Aprobado por:
	Fecha:
Acción correctora/mantenimiento:	Aprobado por:
	Fecha:
Acción correctora/mantenimiento:	Aprobado por:
	Fecha:
Acción correctora/mantenimiento:	Aprobado por:
	Fecha:
Acción correctora/mantenimiento:	Aprobado por:
	Fecha:
Acción correctora/mantenimiento:	Aprobado por:
	Fecha:

¹ **Persona competente:** Individuo que es capaz de identificar peligros existentes y predecibles en el entorno o condiciones de trabajo insalubres, nocivas o peligrosas para los/las empleados/as y que cuenta con autorización para tomar medidas correctivas rápidas conducentes a su supresión.

OHUTUSTEAVE

Enne selle kitsasse ruumi sisenemise vahendi / päästevahendi kasutamist lugege läbi ja tehke selgeks endale kogu käesolevas juhendis kirjeldatud ohutusteave ning järgige seda. **VASTASEL JUHUL VÕIVAD OLLA TULEMUSEKS RASKED VIGASTUSED VÕI SURM.**

Kasutusjuhend tuleb anda varustuse kasutajale. Jätke juhend edasiseks kasutamiseks alles.

Sihtotstarve

See kitsasse ruumi sisenemise vahend / päästevahend on mõeldud kasutamiseks isikliku kukkumisvastase varustuse või päästesüsteemi osana.

Ettevõtte 3M ei kiida heaks kasutamist mis tahes teistes rakendustes, sealhulgas, heakskiitmata materjalikäitluses, vabaaja- või sporditegevustes või teistes käesolevas kasutusjuhendis või paigaldusjuhendis kirjeldamata tegevustes, ning see võib põhjustada tõsisid vigastusi või surma.

Vahendit võivad kasutada ainult asjakohase väljaõppe läbinud kasutajad töökeskkonnas.

HOIATUS

See kitsasse ruumi sisenemise vahend / päästevahend on osa isiklikust kukkumiskaitstesüsteemist või päästesüsteemist. Eeldame, et kõik kasutajad läbivad kogu süsteemi ohutuks paigaldamiseks ja kasutamiseks vajaliku põhjaliku väljaõppe. **Selle vahendi väärkasutus võib põhjustada raskeid vigastusi või surma.** Valimist, kasutamist, paigaldamist, hooldust ja parandamist puudutavad juhised leiate käesolevast kasutusjuhendist ja kõikidest tootja soovistest; või pöörduge oma otsese ülemuse või ettevõtte 3M tehnilise teeninduse poole.

- **Selleks, et vähendada kitsasse ruumi sisenemise vahendi või päästevahendi kasutamisega kaasnevat ohte, mille eiramine võib põhjustada raskeid vigastusi või surma, toimige järgmiselt.**
 - Kontrollige vahendit enne iga kasutuskorda, vähemalt kord aastas ning pärast iga kukkumist. Kontrolli teostamisel lähtuge kasutusjuhendist.
 - Kui kontrolli käigus selgub, et süsteem on ohtlik või defektne, kõrvaldage vahend kasutuselt ja remontige või asendage see vastavalt kasutusjuhendile.
 - Iga vahend, mille kukkumiskaitse on rakendunud või millele on mõjunud löögid, tuleb viivitamatult kasutuselt kõrvaldada. Lugege kasutusjuhendit või võtke ühendust ettevõtte 3M kukkumiskaitsevahendite osakonnaga.
 - Vahend tuleb paigaldada kooskõlas paigaldus- ja kasutusjuhendiga. Kui paigaldatakse või kasutatakse viisil, mida pole juhendes kirjeldatud, tuleb selleks saada eelnev heakskiit ettevõtte 3M kukkumiskaitsevahendite osakonnalt.
 - Alus või konstruktsioon, mille külge vahend kinnitatakse, peab taluma kinnituskoha staatilist koormust kasutus- või paigaldusjuhendis nimetatud suunas.
 - Ärge ületage lubatud kasutajate piirmäära.
 - Ärge kunagi töötage riputatud koorma või rippuva töötaja all.
 - Olge vahendi paigaldamisel, kasutamisel ja teisaldamisel ettevaatlik, kuna liikuvad osad võivad tekitada võimalikke muljumiskohti. Vt kasutusjuhendit.
 - Veenduge, et kõiki blokeerimis- ja sildistamisprotseduure on nõuetekohaselt järgitud (kui asjakohane).
 - Ärge kunagi kinnitage süsteemi, enne kui see pole kohale paigutatud, täielikult monteeritud, reguleeritud ja paigaldatud. Ärge reguleerige süsteemi, kui kasutaja on kinnitatud.
 - Ühendage kukkumiskaitse alamsüsteemid ainult vahendi ettenähtud ankurduspunkti külge.
 - Enne puurimist või kinnitamist veenduge, et puur ega trell ei satu kokkupuutesse elektrijuhtmete, gaasitorude või muude kriitiliste sisseehitatud süsteemidega.
 - Veenduge, et erinevate tootjate valmistatud osadest kokku pandud kukkumisvastased süsteemid/alamsüsteemid ühilduvad ning on kooskõlas kohaldatavate standardite nõuetega, sh standardiga ANSI Z359 jt kohalduvate kukkumiskaitsevahendite käsitlevate eeskirjade, standardite ja nõuetega. Enne vastavate süsteemide kasutamist konsulteerige alati pädeva või kvalifitseeritud töötajaga.
- **Selleks, et vähendada kõrgustes töötamisega kaasnevat ohte, mille eiramine võib põhjustada raskeid vigastusi või surma, toimige järgmiselt.**
 - Veenduge, et teie tervislik ja füüsiline seisund võimaldab teil kõikide kõrgustes töötamisega kaasnevate ohtudega edukalt toime tulla. Kui teil tekib küsimusi, mis on seotud käesoleva vahendi kasutamise suutlikkusega, konsulteerige oma arstiga.
 - Ärge kunagi ületage kukkumisvastase varustuse lubatud kandevõimet.
 - Ärge kunagi ületage kukkumisvastase varustuse maksimaalset vabakukkumise kõrgust.
 - Ärge kunagi kasutage kukkumisvastast varustust, mis ei läbi kasutuseelset või plaanilist kontrolli või juhul, kui tekib kahtlusi, kas vahend on konkreetseks kasutuseks sobiv. Küsimuste korral võtke ühendust ettevõtte 3M tehnilise teenuse töötajaga.
 - Mõned alamsüsteemid või komponentide kombinatsioonid võivad takistada selle varustuse talitlust. Kasutage ainult ühilduvaid ühendusi. Varustuse kasutamisel koos kasutusjuhendis kirjeldamisele mittetulevate vahendite või alamsüsteemidega konsulteerige ettevõttega 3M.
 - Töötades liikuvate masinate (nt naftapuurtorni ajam) lähedal, keskkonnas, kus esinevad elektrihoht, äärmuslikud temperatuurid, ohtlikud kemikaalid, plahvatusohtlikud või mürgised gaasid, teravad servad või järgnevalt nimetatud rippuvad materjalid, mis võivad teile või kukkumisvastasele varustusele peale kukkuda, tuleb olla eriti ettevaatlik.
 - Kasutage kõrge temperatuuriga keskkonnas leegilahvatuse või kuuma temperatuuri eest kaitsvaid vahendeid.
 - Vältige kokkupuudet pindade ja objektidega, mis võivad kasutajat või varustust kahjustada.
 - Veenduge, et kõrgustes töötamise korral on kukkumisruum piisav.
 - Ärge modifitseerige ega muutke kukkumisvastast varustust. Varustust võivad remontida ainult ettevõtte 3M või viimase poolt selleks kirjalikult volitatud isikud.
 - Enne kukkumisvastase varustuse kasutamist veenduge, et on olemas päästekava, mis võimaldab kukkumise korral kiiret päästetegevust.
 - Kukkumise korral võimaldage kukkunud töötajale viivitamatult arstiabi.
 - Ärge kasutage kukkumisvastase varustuse keharihma. Kasutage ainult täisrakmeid.
 - Vähendage võimaliku kukkumisega kaasneva kiikumislülituse amplituudi, töötage selleks vahetult nii ankurduspunkti all kui võimalik.
 - Käesoleva vahendi kasutamise väljaõppe läbiviimisel tuleb kasutada täiendavat kukkumisvastast varustust, et kaitsta koolitatavat isikut tahtmatu kukkumise eest.
 - Vahendi/süsteemi paigaldamisel, kasutamisel või kontrollimisel kasutage sobivaid isikukaitsevahendeid.

Enne selle varustuse paigaldamist ja kasutamist kirjutage tehasesildilt välja toote tuvastamist võimaldavad andmed, mis on vajalikud käesoleva kasutusjuhendi lõpus toodud ülevaatus- ja hoolduspäeviku (tabel 3) täitmiseks.

TOOTE KIRJELDUS

Joonisel 1 on näidatud 3M™ DBI-SALA® piiratud ruumi sisenemiseks/päästeks mõeldud suure kandevõimega kolmeosalist taavetialust. Suure kandevõimega kolmeosaline taavetialus on mõeldud paigaldamiseks horisontaalsele pinnale, kus paigaldatakse selle sisse ühilduva 3M DBI-SALA piiratud ruumi sisenemiseks/päästeks mõeldud suure kandevõimega taaveti mast.

Joonisel 2 on näidatud suure kandevõimega kolmeosalise taavetialuse komponendid, mille nimetused on toodud tabelis 1. Suure kandevõimega kolmeosaline taavetialus koosneb integreeritud taavetipesaga (A) aluse keskosast (H) ja selle kummalgi küljel olevatest libistamisega reguleeritavatest tugiharuliitmikest (E), mis fikseeritakse asendisse lukustuskuuliga tihvtidega (C) ja käepidemega kruvidega (B). Tugiharukoostud (D) kinnitatakse tugiharuliitmike (E) külge, kasutades splindiga tihvte (I), ning nende kõrgust saab muuta reguleeritavate jalgadega (F), kasutades reguleerimiskäepidemeid (G).

Tabel 1. Spetsifikatsioonid

Taavetialuse spetsifikatsioonid:		
Mõõtmed	Vt joonis 1 taavetialuse mõõtmed	
Taavetialuse mass	8000104 37,5 kg (82,7 naela) 8000105 50,5 kg (111,3 naela)	
Ühilduvus	Käesolevas juhendis käsitletud taavetialus ühildub 3M™ DBI-SALA® suure kandevõimega (HC) lühikese ja pika ulatusega taavetsüsteemidega.	
Miinumum nõuded kinnituspunktile		
Konstruksiooni vertikaalne koormus	13,8 kN (3100 naela)	
Komponendi spetsifikatsioonid		
Tähis joonisel 2	Komponent	Materjalid
Ⓐ	Taavetipesa	Alumiinium ja kõrge tihedusega polüetüleen
Ⓑ	Käepidemega kruvid	Tsink- ja pulberkattega teras
Ⓒ	Lukustuskuuliga tihvtid	Tsinkkattega teras
Ⓓ	Tugiharukoostud	Alumiinium ja tsinkkattega teras
Ⓔ	Tugiharuliitmikud	Alumiinium
Ⓕ	Reguleeritav jalg	Tsinkkattega teras
Ⓖ	Reguleerimiskäepidemed	Tsinkkattega teras
Ⓗ	Aluse keskosa	Alumiinium
Ⓘ	Splindiga tihvtid	Tsinkkattega teras
Ⓙ	Piirituslood	
Kandevõimed		
Materjalide kandevõime		205 kg (452 naela)

1.0 TOOTE KASUTAMINE

- 1.1 OTSTARVE.** Taavetialused on konstrueeritud kasutamiseks kinnituspunktidenä ühilduvates ettevõtte 3M taavetsüsteemides. Süsteemi kasutamist ja funktsionaalsust puudutavaid juhiseid vt asjakohasest taavetsüsteemi kasutusjuhendist.
- 1.2 STANDARDID.** Käesolev taavetialus vastab riiklikele või piirkonna standarditele, mis on ära toodud kasutusjuhendi esikaanel. Kui seda toodet müüakse mujal kui algse sihtriigis, siis edasimüüja peab esitama käesoleva kasutusjuhendi selle riigi riigikeeles, kus toodet kasutatakse.
- 1.3 PAIGALDAMINE JA JÄRELEVALVE.** Taavetialuse paigaldamine peab toimuma pädeva isiku järelevalve all¹. Kvalifitseeritud isik² peab kontrollima, kas konstruktsioon vastab kohalikele ja föderaalsetele nõuetele. Kvalifitseeritud isik peab tegema soovitusid sobivate kinnitite ja taavetialuse paigutuse kohta. Taaveti ja selle külge kinnitatud kukkumiskaitsevahendite kasutamine peab toimuma pädeva isiku järelevalve all.
- 1.4 KOHAPEALNE DOKUMENTATSIOON.** Paigaldaja peab pärast taavetialuse paigaldamist koostama paigaldusdokumendid, mis vastavad standardi EN 795 lisa A nõuetele, ning esitama need kasutaja ametlikule esindajale. Paigaldusdokumente tuleks hoida hilisemate ülevaatuste tarbeks tööobjektil.
- 1.5 VÄLJAÕPE.** Seda varustust peavad paigaldama ja kasutama töötajad, kes on saanud väljaõppe selle nõuetekohase kasutamise osas. Käesolevat juhendit võib kasutada osana töötajate koolitusprogrammist ja/või piirkondlike nõuete täitmiseks. Selle varustuse kasutajad ja paigaldajad peavad tagama, et nad on käesoleva juhendiga tutvunud ning et nad oskavad varustust hooldada ja kasutada ning on teadlikud varustuse tehnilistest näitajatest, piiridest ja väärkasutuse tagajärgedest.
- 1.6 PÄASTEPLAAN.** Taaveti ja selle külge kinnitatud kukkumiskaitsevahendite kasutamiseks tuleb tööandjal töötada välja päästeplaani, näha ette päästeplaani realiseerimiseks vajalikud vahendid ning viia kasutajad päästeplaaniga kurssi. Soovitav on asjakohase väljaõppega kohapealse päästemeeskonna olemasolu. Meeskonnaliikmetel peaks olema päästeoperatsiooni õnnestumiseks vajalik varustus ja teadmised vajalikest töövõtetest. Päästjate oskuste tagamiseks peavad nad läbima regulaarseid koolitusi.
- 1.7 ÜLEVAATUSSAGEDUS.** Kasutaja peab selle taavetialuse enne igat kasutuskorda üle kontrollima. Peale selle peab taavetialuse ülevaatuse tegema selleks pädev isik, kes ise ei või olla selle taavetialuse kasutaja, vähemalt üks kord aastas.³ Ülevaatuse protseduuri on kirjeldatud lõigus „Ülevaatus- ja hoolduspäevik“. Pädeva isiku iga ülevaatuse tulemused tuleb dokumenteerida, kasutades ülevaatus- ja hoolduspäeviku koopiaeksemplare.

2.0 SÜSTEEMI NÕUDED

- 2.1 ANKRUD JA KINNITID.** Kõik konstruktsioonid ja kinnitid (kui asjakohane), mida kasutatakse taavetialuse kinnitamiseks, peavad vastama kinnituspunktide nõuetele, mis on toodud tabelis 1.
- 2.1 ÜHILDUVAD KOMPONENDID.** Ettevõtte 3M varustus on mõeldud kasutamiseks ainult muude ettevõtte 3M heakskiidetud komponentide ja alamsüsteemidega. Elementide asendamine või väljavahetamine kinnitust mitteomavate elementide või alamsüsteemide vastu seab ohtu varustuse ühilduvuse ja vähendab terve süsteemi ohutust ning töökindlust.
- 2.2 PERSONAALNE KUKKUMISE PIDURDAMISE SÜSTEEM.** Süsteemiga kasutatav personaalne kukkumise pidurdamise süsteem (PFAS) peab vastama kohaldatavatele kukkumiskaitsevahendite reguleerivatele eeskirjadele, standarditele ja nõuetele. PFAS peab kasutama täisrakmeid ja piirama pidurdusjõu järgmistele väärtustele.

	Maksimaalne pidurdusjõud	Vabakukkumine
PFAS koos löögilevendusrihmaga	6 kN (1350 naela)	Vabakukkumise piirväärtusi vt löögilevendusrihma või SRD juhendi(te)st.
PFAS koos isekeriva trossiga (SRD)	6 kN (1350 naela)	

- 2.3 OHUD.** Selle varustuse kasutamine keskkonnaohtudega aladel võib nõuda täiendavaid ettevaatusabinõusid, et vältida kasutaja vigastamist või seadmete kahjustamist. Süsteemi kasutamist mõjutavaid eriohte vt ettevõtte 3M taavetiamasti juhendist.

¹ **Pädev isik:** ülevaatusõigusega pädev isik on isik, kes on pädev hindama olemasolevaid ja ettenähtavaid ohte ümbritsevas töötajate keskkonnas, mis on töötaja jaoks antisanitaarsed või ohtlikud. Pädev isik on volitatud viivitamatult võtma meetmed selliste ohtude kõrvaldamiseks.

² **Kvalifitseeritud isik:** isik, kellel on tunnustatud kraad või kutsetunnistus ning ulatuslikud teadmised kukkumiskaitsealastest. See isik peab olema suuteline kukkumiskaitsealastest projekteerima, analüüsima, hindama ja nende spetsifikatsioone arvutama.

³ **Ülevaatussagedus:** töötamine rasketes oludes (karmid tingimused, pikaajaline kasutamine jne) nõuavad sagedasemat ülevaatus selleks pädeva isiku poolt.

3.0 KOKKUPANEK

- 3.1 KAVANDAMINE.** Projekteerige enne suure kandevõimega kolmeosalise taavetialuse paigaldamist oma kukkumiskaitse süsteemi lahendus. Kõikide võimalike asjaolude ettenägemisest sõltub teie turvalisus enne kukkumist, kukkumise ajal ja pärast kukkumist. Arvestage sobivaid kinniteid ja ankurduskonstruksioonil suure kandevõimega kolmeosalise taavetialuse jaoks kõiki nõudeid paigalduskohta valides, mis on toodud lõigus 2 ja tabelis 1.
- **Ankurdus.** Ankurduskoht, mille külge suure kandevõimega kolmeosaline taavetialus kinnitatakse, peab vastama ankurduspunkti kandevõime nõuetele, mis on toodud lõigus 2 ja vertikaalse koormuse nõuetele, mis on toodud tabelis 1.
- 3.2 SUURE KANDEVÕIMEGA KOLMEOSALISE TAAVETIALUSE KOKKUPANEK.** Joonisel 5 on näidatud suure kandevõimega kolmeosalise taavetialuse paigaldust. Paigaldage suure kandevõimega kolmeosaline taavetialus horisontaalsele pinnale, mis vastab tabelis 1 toodud tugevusnõuetele (nt betoon- või teraskonstruksiooni külge).
1. Sisestage tugiharuliitmikud (E) aluse keskosasse (H).
 2. Asetage süsteem põrandale ligikaudu kohta, kus seda plaanitakse kukkumisohtude ärahoidmiseks kasutada.
 3. Paigutage tugiharukoost (D) aluse keskosa (H) suhtes risti ja hoidke tugiharukoostu püsti ja tõstke tugiharuliitmik (E) tugiharukoostule (D), kasutades tugiharudel olevaid sakke, et ots ühenduspesasse sisestada.
 4. Sisestage splindiga tihvtid (I), mis fikseerivad tugiharukoostu (D) tugiharuliitmiku (E) sisse ja fikseerige see tihvti küljes oleva rõngassplindiga.
 5. Korrake sama ka teise tugiharuga.
 6. Reguleerige aluse laius sobivaks ja sisestage lukustuskuuliga tihvtid (C) täielikult läbi aluse keskosa (H), et tugiharuliitmikud (E) fikseerida. Pingutage aluse keskosa (H) tagaküljel olevad käepidemega kruvid (B).
 7. Kohandage reguleeritavaid jalgu (F), et alus loodi seada (kontrollimiseks veenduge, et piiritusloodi (J) mull on ringi keskel).

Veenduge enne kasutamist, et kõik tihvtid on täielikult sisestatud ja rõngassplindid on paigaldatud. Vt jn 4.

4.0 KASUTAMINE

- 4.1 ENNE IGA KASUTUSKORDA.** Veenduge, et teie tööala ja personaalne kukkumise pidurdamise süsteem (PFAS) vastavad kõigile lõigus 2 määratletud kriteeriumitele ja et ametlik päästeplaan on juurutatud. Kontrollige suure kandevõimega kolmeosalist taavetialust kooskõlas *kasutajale* mõeldud kontrolltoimingutega lõigus „Ülevaatus- ja hoolduspäevik“ (tabel 3). Ärge kasutage süsteemi, kui ülevaatusel leitakse ohtlikke puudusi või defekte. Kõrvaldage süsteem kasutuselt ja hävitage või võtke ühendust ettevõttega 3M, et lasta see välja vahetada või remontida.
- 4.2 TÖÖALA.** Ettevõtte 3M suure kandevõimega kolmeosalist taavetialust tohib kasutada ainult lubatud tööalal, mis on tugiharukoostude pikkade otste vahel. Vt jn 3.

Tööala. Süsteem võib muutuda ebastabiilseks, kui seda kasutatakse joonisel 3 toodud ohutust tööalast väljaspool.

5.0 ÜLEVAATUS

- 5.1 ÜLEVAATUSE INTERVALL.** Suure kandevõimega kolmeosalise taavetialuse ülevaatus peab toimuma intervallidega, mis on toodud lõigus 1. Ülevaatus protseduuri on kirjeldatud lõigus „Ülevaatus- ja hoolduspäevik“ (tabel 3). Kontrollige kukkumiskaitse süsteemi kõiki muid komponente kooskõlas intervallidega ja protseduuridega, mis on määratletud tootja juhistes.
- 5.2 DEFECTID.** Kui ülevaatusel leitakse ohtlikke puudusi või defekte, kõrvaldage suure kandevõimega kolmeosaline taavetialus viivitamatult kasutuselt ja võtke ühendust ettevõttega 3M, et lasta see välja vahetada või remontida. Ärge üritage kukkumise pidurdamise süsteemi ise remontida.

Ainult volitatud remonditööd. Varustust võivad remontida ainult 3M või selleks kirjalikult volitatud isikud.


- 5.3 TOOTE KASUTUSIGA.** Kukkumise pidurdamise süsteemi kasutusiga sõltub töötingimustest ja hooldusest. Toodet võib kasutada, kuni see vastab ülevaatus kriteeriumitele.

6.0 HOOLDAMINE, PUHASTAMINE, HOIUNDAMINE

- 6.1 PUHASTAMINE.** Puhastage suure kandevõimega kolmeosalise taavetikinnituse metallist osi regulaarselt pehme harja, sooja vee ja pehmetoimelise seebilahusega. Loputage osad põhjalikult puhta veega.
- 6.2 REMONTIMINE.** Varustust võib remontida ainult 3M või viimase poolt selleks kirjalikult volitatud isikud. Kui suure kandevõimega kolmeosalisele taavetialusele on rakendunud kukkumisiõud või ülevaatusel leitakse ohtlikke puudusi või defekte, kõrvaldage süsteem kasutuselt ja võtke ühendust ettevõttega 3M, et lasta see välja vahetada või seda remontida.
- 6.3 HOIUNDAMINE JA TRANSPORT.** Kui suure kandevõimega kolmeosalist taavetialust ei kasutata, hoiundage ja transportige süsteemi ning kõiki seotud kukkumiskaitsevahendeid jahedas, kuivas ja puhtas keskkonnas ning kaitske neid otsese päikesevalguse eest. Vältige ruume, kus võib olla kemikaalide aure. Pärast pikemat hoiundamist kontrollige komponente põhjalikult.

7.0 SILDID

Joonisel 6 on näidatud suure kandevõimega kolmeosalise taavetialuse sildid. Kui sildid pole loetavad, tuleb need asendada. Siltidel on toodud järgmine teave.

	Lugege kõiki juhiseid.
1	A) valmistamise aeg (kuu, aasta) B) mudelinumber C) seerianumber
2	Ohutu tööala.
3	Tihvti kinnitamise hoiatus
4	Vastavus EÜ standarditele
5	Vastavus AS/NZS standarditele
6	EN1496:2006 klass B
7	8000104 Maksimaalne taavetsüsteemi sirutusulatus, personaalne kukkumise pidurdamise süsteem (PFAS), materjalide kandevõime
8	8000105 Maksimaalne taavetsüsteemi sirutusulatus, personaalne kukkumise pidurdamise süsteem (PFAS), materjalide kandevõime

Tabel 3. Ülevaatus- ja hoolduspäevik

Ülevaatus kuupäev:		Ülevaataja:	
Komponendid:	Ülevaatus: (Vt lõiku 1 „Ülevaatus intervall“)	Kasutaja	Pädev isik ¹
Suure kandevõimega kolmeosaline taavetialus (Joonis 2)	Kontrollige toodet (High Capacity Three Piece Davit Base) pragude, mõlkide ja deformeerumise suhtes.	<input type="checkbox"/>	<input type="checkbox"/>
	Kontrollige tervet süsteemi üleliigse korrosiooni suhtes.	<input type="checkbox"/>	<input type="checkbox"/>
	Veenduge, et splindiga tihvtid ja lukustuskuuliga tihvtid on täielikult sisestatud ja vajadusel rõngassplintidega lukustatud (kui asjakohane).	<input type="checkbox"/>	<input type="checkbox"/>
Sildid (Joonis 7)	Veenduge, et kõik sildid on korralikult kinnitatud ja loetavad (vt lõiku „Sildid“)	<input type="checkbox"/>	<input type="checkbox"/>
PFAS jm varustus	Suure kandevõimega Three Piece Davit Base koos kasutatavate personaalse kukkumise pidurdamise süsteemide (PFAS) komponente (rakmed, SRL jms) tuleks paigaldada ja kontrollida kooskõlas tootja juhistega.	<input type="checkbox"/>	<input type="checkbox"/>
Seerianumber /-numbrid:		Ostukuupäev:	
Mudeli number:		Esmase kasutuselevõtmise kuupäev:	
Korrigeeriv toiming/hooldus:		Kinnitanud isik:	
		Kuupäev:	
Korrigeeriv toiming/hooldus:		Kinnitanud isik:	
		Kuupäev:	
Korrigeeriv toiming/hooldus:		Kinnitanud isik:	
		Kuupäev:	
Korrigeeriv toiming/hooldus:		Kinnitanud isik:	
		Kuupäev:	
Korrigeeriv toiming/hooldus:		Kinnitanud isik:	
		Kuupäev:	
Korrigeeriv toiming/hooldus:		Kinnitanud isik:	
		Kuupäev:	
Korrigeeriv toiming/hooldus:		Kinnitanud isik:	
		Kuupäev:	
Korrigeeriv toiming/hooldus:		Kinnitanud isik:	
		Kuupäev:	
Korrigeeriv toiming/hooldus:		Kinnitanud isik:	
		Kuupäev:	
Korrigeeriv toiming/hooldus:		Kinnitanud isik:	
		Kuupäev:	

1 Pädev isik: ülevaatusõigusega pädev isik on isik, kes on pädev hindama olemasolevaid ja ettenähtavaid ohte ümbritsevas töötajimustes, mis on töötaja jaoks antisanitaarsed või ohtlikud. Pädev isik on volitatud viivitamatult võtma meetmed selliste ohtude kõrvaldamiseks.

Lue, ymmärrä ja noudata kaikkia näissä ohjeissa olevia turvallisuustietoja ennen ahtaisiin tiloihin menemisen / pelastukseen käytettävän laitteen käyttöä. **EDELLÄ MAINITUN LAIMINLYÖNTI VOI JOHTAA VAKAAN LOUKKAANTUMISEEN TAI KUOLEMAAN.**

Nämä ohjeet tulee antaa näiden varusteiden käyttäjälle. Säilytä nämä ohjeet myöhempää tarvetta varten.

Käyttötarkoitus:

Tämä ahtaisiin tiloihin menemisen / pelastukseen käytettävä laite on tarkoitettu käytettäväksi osana täyttä henkilökohtaista putoamisenesto- tai pelastusjärjestelmää.

Muihin tarkoituksiin käyttäminen mm. muiden kuin hyväksytyjen materiaalien käyttökohteissa, virkistys- tai urheilutoimissa tai muissa toiminnoissa, joita ei kuvata käyttöohjeessa tai asennusohjeessa, ei ole 3M:n sallimaa ja saattaa johtaa vakavaan loukkaantumiseen tai kuolemaan.

Tätä laitetta voivat käyttää ainoastaan koulutetut käyttäjät työskentelytarkoituksiin.

VAROITUS

Tämä ahtaisiin tiloihin menemisen / pelastukseen käytettävä laite on osa henkilökohtaista putoamisenesto- tai pelastusjärjestelmää. Kaikkien käyttäjien odotetaan olevan täysin koulutettuja koko järjestelmän turvallisen asentamisen ja käytön suhteen. **Tämän laitteen väärinkäyttö saattaa johtaa vakavaan loukkaantumiseen tai kuolemaan.** Tietoja asianmukaisesta valinnasta, käytöstä, asennuksesta, ylläpidosta ja huollosta saat tutkimalla kaikkia tuoteohjeita ja kaikkia valmistajan suosituksia, kysymällä esimieheltäsi tai ottamalla yhteyttä 3M:n tekniseen palveluun.

- **Ahtaisiin tiloihin menemisen / pelastukseen käytettävän laitteen kanssa työskentelyyn liittyviä, mahdollisesti vakavan loukkaantumisen tai kuoleman aiheuttavia riskejä voidaan vähentää seuraavin tavoin:**
 - Kaikki järjestelmän komponentit tulee tarkastaa ennen jokaista käyttökertaa, vähintään kerran vuodessa ja jokaisen putoamistapauksen jälkeen. Suorita tarkastus käyttöohjeiden mukaisesti.
 - Jos valtuutetussa tarkastuksessa ilmenee vaarallinen tai viallinen tila, poista laite käytöstä ja korjaa tai vaihda se käyttöohjeiden mukaisesti.
 - Kaikki laitteet, joita on käytetty putoamisen pysäyttämiseen tai joihin on kohdistunut putoamiseneston iskuvoima, on välittömästi poistettava käytöstä. Lisätietoja saa käyttöohjeista tai ottamalla yhteyttä 3M-putoamisenestoon.
 - Laite tulee asentaa ainoastaan asennusohjeissa tai käyttöohjeissa kuvatusti. Muu kuin ohjeen kuvaama asennus tai käyttö tulee hyväksyttäväksi Fall Protectionilla kirjallisesti.
 - Materiaalin tai rakenteen, johon laite kiinnitetään, tulee kannattaa käyttöohjeen tai asennusohjeen laitteelle salliman staattisen kuorman asianmukaisissa suunnissa.
 - Sallittua käyttäjämäärää ei saa ylittää.
 - Älä koskaan työskentele riippuvan kuorman tai työntekijän alapuolella.
 - Ole varovainen asentaessasi, käyttäessäsi ja siirtäessäsi laitetta, sillä liikkuvat osat voivat aiheuttaa mahdollisia puristumisvaaroja. Katso lisätietoja käyttöohjeista.
 - Varmista, että asianmukaista vahinkokäynnistyksen estoa noudatetaan tarpeen mukaan.
 - Älä koskaan kiinnittäydy järjestelmään ennen kuin se on asetettu paikalleen ja täysin koottu, säädetty ja asennettu. Älä säädä järjestelmää käyttäjän ollessa kiinnitettyä siihen.
 - Kytke putoamiseneston alijärjestelmät ainoastaan laitteen niille määrättyihin ankkurointikiinnityskohtiin.
 - Varmista ennen poraamista tai kiinnittämistä, ettei poran tai laitteen kanssa pääse kosketuksiin sähköjohtoja, kaasujohtoja tai muita tärkeitä sisäisiä järjestelmiä.
 - Varmista, että muiden valmistajien komponenteista kootut putoamisenestojärjestelmät/alijärjestelmät ovat yhteensopivia ja täyttävät asianomaisten standardien vaatimukset, mukaan lukien ANSI Z359 tai muut sovellettavat putoamisenestokoodit, -standardit tai -vaatimukset. Ennen näiden järjestelmien käyttöä tulee aina kääntyä pätevän tai pätevidyn henkilön puoleen.
- **Vähentääksesi korkealla työskentelyyn liittyviä riskejä, jotka mahdollisesti voivat aiheuttaa vakavan loukkaantumisen tai kuoleman:**
 - Varmista, että terveydentilasi ja fyysinen kuntosi on tarpeeksi hyvä, jotta pystyt kestämaan kaikki korkealla työskentelyyn liittyvät voimat. Keskustele lääkärisi kanssa, mikäli sinulla on kysyttävää näiden laitteiden käyttöön liittyvistä valmiuksistasi.
 - Älä koskaan ylitä putoamisenestolaitteiden sallittua kapasiteettia.
 - Älä koskaan ylitä putoamisenestolaitteiden vapaan pudotuksen enimmäisetäisyyttä.
 - Älä käytä putoamisenestolaitteita, jotka eivät läpäise ennen käyttöä tehtäviä tai muita suunniteltuja tarkastuksia tai jos olet huolissasi laitteiden käytöstä tai sopivuudesta käyttötarkoitukseen. Jos sinulla on kysyttävää, ota yhteyttä 3M:n tekniseen palveluun.
 - Jotkut alajärjestelmä- ja osayhdistelmä saattavat häiritä tämän laitteen toimintaa. Käytä vain yhteensopivia liitäntöjä. Ota yhteyttä 3M:ään ennen tämän laitteen käyttöä yhdessä sellaisten osien tai alajärjestelmien kanssa, joita ei kuvata tässä käyttöohjeessa.
 - Ota käyttöön ylimääräisiä varotoimenpiteitä työskennellessäsi liikkuvien laitteiden (esim. öljynporaustornien koneistot), sähkövaarojen, korkeiden lämpötilojen, kemiallisten vaarojen, räjähtävien tai myrkyllisten kaasujen tai terävien reunojen läheisyydessä tai mikäli yläpuolellasi on mahdollisesti päällesi tai putoamisenestolaitteen päälle putoavia materiaaleja.
 - Käytä valokaari- tai kuumatyökaluita, kun työskentelet erittäin kuumissa ympäristöissä.
 - Vältä pintoja ja esineitä, jotka voivat vahingoittaa käyttäjää tai laitteita.
 - Varmista, että korkealla työskennellessä käytössä on riittävä putoamiskorkeus.
 - Älä koskaan muokkaa tai muuta putoamisenestolaitetta. Vain 3M tai sen kirjallisesti valtuuttamat tahot saavat tehdä korjauksia tähän laitteeseen.
 - Ennen putoamisenestolaitteiden käyttöä varmista, että käytössä on pelastussuunnitelma, jonka avulla voidaan toteuttaa nopea pelastus putoamistapaturman tapahtuessa.
 - Jos putoamistapaturma tapahtuu, hae välittömästi lääkinnällistä apua pudonneelle työntekijälle.
 - Älä käytä vartalovyötä putoamisenestosovelluksissa. Käytä ainoastaan kokovartalovaljaita.
 - Minimoi heilahtavan putoamisen mahdollisuus työskentelemällä niin suoraan ankkurointipisteen alla kuin mahdollista.
 - Mikäli laitteella harjoitellaan, on käytettävä toissijaista putoamisenestojärjestelmää tavalla, joka ei altista koulutettavaa henkilöä tahattomalle putoamiselle.
 - Käytä aina asianmukaisia henkilösuojaimia kun asennat, käytät tai tarkastat laitetta/järjestelmää.

Merkitse ennen tämän tuotteen asennusta ja käyttöä tuotteen tunnistustiedot sen tunnusmerkinnästä tämän käyttöoppaan takana olevaan tarkastus- ja kunnossapitolokiin (taulukko 2).

TUOTEKUVAUS:

Kuvassa 1 näkyy 3M™:n ahtaisiin tiloihin siirtymiseen ja ahtaissa tiloissa tapahtuviin pelastustoimiin tarkoitettu korkean kapasiteetin kolmiosainen DBI-SALA®-merkkinen taavettijalusta. Korkean kapasiteetin kolmiosainen taavettijalusta on tarkoitettu koottavaksi vaakasuuntaiselle pinnalle, ja siihen voidaan liittää yhteensopiva 3M™:n ahtaisiin tiloihin siirtymiseen ja ahtaissa tiloissa tapahtuviin pelastustoimiin tarkoitettu korkean kapasiteetin DBI-SALA-taavettipuomi.

Kuvassa 2 näkyvät taulukossa 1 esitetyt korkean kapasiteetin kolmiosaisen taavettijalustan osat. Korkean kapasiteetin kolmiosainen taavettijalusta koostuu integroidulla taavettisuojausvarustetusta keskiosiosta (H), jossa on liikusäädettävät tukijalkojen liittimet (E) kullakin puolella ja jotka lukitaan haluttuun leveyteen pidätinsokilla (C) ja kolmisakaraisilla ruuveilla (B). Tukijalka-asennelmat (D) kiinnitetään tukijalkojen liittimiin (E) koukkutapeilla (I), ja niiden korkeutta voidaan säätää säädettävillä jaloilla (F) käyttämällä säätökahvoja (G).

Taulukko 1 – Tekniset tiedot

Taavettijalustan tekniset tiedot:

Mitat	Kuvassa 1 näkyvät taavettijalustan mitat	
Taavettijalustan paino	8000104 37,5 kg (82,7 lbs)	8000105 50,5 kg (111,3 lbs)
Yhteensopivuus	Tässä käyttöohjeessa kuvatut taavettijalustat ovat yhteensopivia lyhyen ja pitkän kantaman korkean kapasiteetin 3M™ DBI-SALA® -taavettijärjestelmien kanssa.	

Vähimmäisvaatimukset asennukselle:

Pystysuuntainen kuormitus rakennetta kohden:	13,8 kN (3 100 lbs)
---	---------------------

Osien tarkat tiedot:

Kuva 2, viite	Osa	Materiaalit
(A)	taavettisuojaus	suuritiheyspolyeteeniä sisältävä alumiini
(B)	kolmisakaraiset ruuvit	sinkitetty ja pinnoitettu teräs
(C)	pidätintapit	sinkitetty teräs
(D)	tukijalka-asennelmat	alumiini ja sinkitetty teräs
(E)	tukijalkojen liittimet	alumiini
(F)	säädettävä tukijalka	sinkitetty teräs
(G)	säätökahvat	sinkitetty teräs
(H)	keskiosio	alumiini
(I)	koukkutapit	sinkitetty teräs
(J)	vesivaaka	

Enimmäiskantavuudet:

enimmäiskantavuus materiaalien käsittelylle	205 kg (452 lbs)
---	------------------

1.0 TUOTTEEN KÄYTTÖKOHDE

- 1.1 TARKOITUS:** Taavettijalustat on suunniteltu kiinnityspisteiksi yhteensopiville 3M:n taavettijärjestelmille. Tietoja järjestelmän käytöstä ja toiminnasta löytyy asiaankuuluvasta taavettijärjestelmän käyttöohjeesta.
- 1.2 STANDARDIT:** Tämä taavettijalusta on näiden ohjeiden etukanteen merkittyjen kansallisten ja alueellisten standardien mukainen. Jos tätä tuotetta jälleenmyydään alkuperäisen kohdemaan ulkopuolella, jälleenmyyjän on toimitettava nämä ohjeet tuotetta käyttävän maan omalla kielellä.
- 1.3 ASENNUS JA VALVONTA:** Taavettijalustan asennuksen tulee tapahtua pätevän henkilön valvonnassa¹. Pätevöityneen henkilön² tulee varmistaa, että kulloinkin kyseessä olevaan rakenteeseen tehtävä asennus vastaa paikallisia ja maakohtaisia säädöksiä. Pätevöityneen henkilön tulee neuvoa asianmukaisten kiinnitinten sekä asianmukaisen taavettijalustan sijoituspaikan valinnassa. Pätevän henkilön tulee valvoa taavetin sekä siihen kiinnitettyjen putoamissuojainten käyttöä.
- 1.4 KÄYTTÖPAIKAN ASIAKIRJAT:** Kun taavettijalustat on koottu ja asennettu, asentajan tulee täyttää standardin EN795:n liitteen A tietovaatimuksia vastaavat asennusasiakirjat ja luovuttaa ne käyttäjän nimeämälle edustajalle. Asennusasiakirjoja tulee säilyttää työpisteessä myöhempiä tarkastuksia varten.
- 1.5 KOULUTUS:** Näiden varusteiden asentajien ja käyttäjien tulee olla koulutettuja oikeanlaista käyttöä varten. Tätä käyttöohjetta voidaan käyttää osana työntekijöiden koulutusohjelmaa ja/tai alueellisia säädöksiä. Varusteen käyttäjien ja asentajien vastuulla on perehtyä näihin ohjeisiin, hankkia koulutusta varusteen asianmukaisissa käyttö- ja huoltotavoissa sekä tuntee varusteen käyttöominaisuudet, käytön rajoitukset ja vääränlaisen käytön aiheuttamat seuraukset.
- 1.6 PELASTUSSUUNNITELMA:** Taavettijalustaa ja siihen liitettyjä putoamissuojaimia käytettäessä on työnantajalla oltava pelastussuunnitelma sekä keinot sen toteuttamiseksi ja suunnitelmasta tiedottamiseksi laitteen käyttäjille. Paikan päällä olevaa koulutettua pelastushenkilöstöä suositellaan. Pelastushenkilöstön jäsenillä tulisi olla hallussaan onnistuneeseen pelastamiseen tarvittavat laitteet ja tekniikka. Pelastushenkilöstön osaaminen tulee varmistaa antamalla koulutusta säännöllisin väliajoin.
- 1.7 TARKASTUSTEN TIHEYS:** Käyttäjän tulee tarkastaa taavettijalusta ennen jokaista käyttökertaa. Tämän lisäksi jonkun toisen pätevän henkilön (muu kuin käyttäjä itse) tulee tarkastaa se vähintään vuoden välein.³ Tarkastustoimet on kuvattu kohdassa "Tarkastus- ja kunnossapitoloki". Kaikkien pätevän henkilön suorittamien tarkastusten tulokset tulee tallentaa tämän käyttöoppaan lopusta löytyvään "Tarkastus- ja kunnossapitolokiin".

2.0 JÄRJESTELMÄVAATIMUKSET

- 2.1 KIINNITYS JA KIINNITTIMET:** Kaikkien taavettijalustan kiinnittämiseen käytettävien tukirakenteiden ja kiinnittimien (mikäli kiinnittimiä käytetään) tulee vastata taulukossa 1 esitettyjä kiinnitysvaatimuksia.
- 2.1 OSIEN YHTEENSOPIVUUS:** 3M-laitteet on tarkoitettu käytettäväksi ainoastaan muiden 3M:n hyväksymien osien ja lisäjärjestelmien kanssa. Osien vaihtaminen ja korvaaminen muihin kuin hyväksytyihin osiin ja alajärjestelmiin voi vaarantaa laitteiston yhteensopivuuden sekä vaikuttaa koko järjestelmän turvallisuuteen ja luotettavuuteen.
- 2.2 PUTOAMISSUOJAINJÄRJESTELMÄ:** Järjestelmän kanssa käytettävien putoamisen pysäyttävien järjestelmien tulee olla sovellettavien putoamissuojaimia koskevien standardien, lakien ja vaatimusten mukainen. Putoamissuojausjärjestelmän tulee sisältää kokovartalovaljaat, ja pysäytysvoima tulee rajoittaa seuraaviin arvoihin:

	Suurin sallittu pysäytysvoima	Vapaa pudotus
Iskunvaimenninköydellä varustettu putoamissuojainjärjestelmä	6 kN	Katso turvaköyden tai itsekelautuvan laitteen ohjeista vapaan pudotuksen rajoitukset.
Itsekelautuvalla laitteella varustettu putoamissuojausjärjestelmä	6 kN	

- 2.3 VAARAT:** Näiden varusteiden käyttö vaarallisissa ympäristöissä voi vaatia ylimääräisiä turvajärjestelyjä, jotta estettäisiin käyttäjän vammautuminen ja varusteiden vahingoittuminen. Tietoja järjestelmän käyttöön mahdollisesti vaikuttavista erityisistä vaaroista löytyy 3M:n taavettimaston ohjeista.

1 Pätevä henkilö: Henkilö, joka pystyy tunnistamaan olemassa olevat ja ennustettavat vaaratekijät ympäristössä tai työolosuhteissa, jotka ovat vaarallisia, epähygieenisia tai vaarallisia työntekijöille, ja jolla on valtuudet ryhtyä toimiin niiden poistamiseksi.

2 Pätevöitynyt henkilö: Henkilö, jolla on tutkinto tai ammatillinen sertifikaatti sekä kattava kokemus putoamissuojauksesta. Henkilön tulee pystyä suunnittelemaan, analysoimaan, arvioimaan ja määrittelemään putoamissuojauksen.

3 Tarkastusväli: Äärimmäiset työolosuhteet (vaativat ympäristöt, pitkäaikainen käyttö jne.) voivat vaatia tarkastusten suorittamista pätevän henkilön toimesta useammin.

3.0 KOKOAMINEN

3.1 SUUNNITTELU: Putoamissuojausjärjestelmä tulee suunnitella ennen korkean kapasiteetin kolmiosaisen taavettijalustan asentamista. Ota huomioon kaikki tekijät, jotka voivat vaikuttaa turvallisuuteen ennen putoamista, sen aikana ja sen jälkeen. Oikeat kiinnittimet sekä korkean kapasiteetin kolmiosaisen taavettijalustan asianmukainen sijoituspaikka kiinnitysrakenteeseen tulee valita huomioimalla kaikki osiossa 2 ja taulukossa 1 esitetyt vaatimukset.

- **Kiinnitys:** Sen kiinnityskohdan, johon korkean kapasiteetin kolmiosainen taavettijalusta kiinnitetään, tulee vastata osiossa 2 esitettyjä kiinnityskuormituksen vaatimuksia sekä taulukossa 1 esitettyjä momenttikuormituksen ja pystysuoran kuormituksen vaatimuksia.

3.2 KORKEAN KAPASITEETIN KOLMIOSAISEN TAAVETTIJALUSTAN KOKOAMINEN: Kuvassa 5 näkyy korkean kapasiteetin kolmiosaisen taavettijalustan asennus. Kiinnitä korkean kapasiteetin kolmiosainen taavettijalusta taulukossa 1 ilmoitettuja lujusvaatimuksia vastaavalle vaakasuuntaiselle pinnalle, esimerkiksi johonkin betoniseen tai teräksiseen rakenteeseen:

1. Kiinnitä tukijalkojen liittimet (E) keskiosioon (H).
2. Levitä järjestelmä maahan sen alueen lähistölle, jossa järjestelmää on tarkoitus käyttää siksi aikaa, kun mahdolliset putoamisvaarat eliminoidaan.
3. Aseta tukijalka-asennelma (D) kohtisuorassa keskiosioon (H) nähden. Pidä tukijalka-asennelmaa pystyssä ja nosta tukijalan liitin (E) tukijalka-asennelmaa (D) vasten. Ohjaa päätyliitin paikalleen käyttämällä tukijaloissa olevia kielekkeitä.
4. Pujota koukkutapit (I) kiinnittämällä tukijalkamuodostelma (D) tukijalkojen liittimeen (E) ja viimeistelee kiinnitys käyttämällä mukana olevaa sokkatappia.
5. Toista toimenpide vastakkaisen puolen tukijalalle.
6. Säädä kiinnityskannan asennelma haluttuun leveyteen ja pujota pidätinsokat (C) kokonaan keskiosion (H) läpi kiinnittäen näin tukijalkojen liittimet (E). Kiristä keskiosion (H) takana olevat kolmisakaraiset ruuvit (B).
7. Aseta kiinnityskannan asennelma vaakasuoraan säätämällä tasaamisjalkoja (F) ja käyttäen kiinnitettyä vesivaakaa (J) varmistaen, että kupla on viiteympyrän sisällä.

Ennen käyttöä tulee varmistaa, että kaikki tapit ovat kokonaan sisällä ja että sokkatapit ovat paikoillaan. Katso kuvaa 4.

4.0 KÄYTTÖ

4.1 ENNEN JOKAISTA KÄYTTÖKERTAA: Varmista että työskentelyalue ja putoamisenestojärjestelmä täyttävät kaikki osiossa 2 esitetyt vaatimukset, ja että käytössä on pelastussuunnitelma. Korkean kapasiteetin kolmiosainen taavettijalusta tulee tarkastaa "tarkastus- ja kunnossapitolokissa" taulukossa 2 lueteltujen "käyttäjän" tarkastuspisteiden mukaisesti. Jos järjestelmä todetaan tarkastuksessa turvallisuudelle vaaralliseksi tai vialliseksi, ei sitä saa käyttää. Poista järjestelmä käytöstä, hävitä se ja ota yhteyttä 3M:ään korvaavan tuotteen tai korjauksen järjestämiseksi.

4.2 TYÖSKENTELYALUE: 3M:n korkean kapasiteetin kolmiosaista taavettijalustaa saa käyttää vain sallitulla työskentelyalueella tukijalka-asennelmien pisimpien sivujen välissä. Katso kuvaa 3.

Työskentelyalue: Järjestelmä saattaa muuttua epävakaa, jos sitä käytetään kuvassa 3 näkyvän turvallisen työskentelyalueen ulkopuolella.

5.0 TARKASTUS

5.1 TARKASTUSTEN TIHEYS: Korkean kapasiteetin kolmiosainen taavettijalusta tulee tarkastaa kohdassa 1 annettujen tarkastusvälien mukaisesti. Tarkastustoimenpiteet on kuvattu "Tarkastus- ja kunnossapitolokissa" taulukossa 2. Tarkasta kaikki muut putoamissuojausjärjestelmän osat valmistajan ohjeissa määrättyjen tarkastusvälien ja menettelyjen mukaisesti.

5.2 VIAT: Mikäli tarkastuksessa käy ilmi, että korkean kapasiteetin kolmiosainen taavettijalusta on vaarallinen tai viallinen, tulee se poistaa käytöstä välittömästi ja ottaa yhteyttä 3M:ään korvaavan osan saamista tai korjausta varten. Älä yritä korjata putoamisenestojärjestelmää itse.

Vain valtuutetut huollot: Vain 3M tai sen kirjallisesti valtuuttamat tahot saavat tehdä korjauksia tähän laitteeseen.

5.3 TUOTTEEN KÄYTTÖIKÄ: Putoamisenestojärjestelmän toiminnollinen ikä määräytyy käyttöolosuhteiden ja huollon mukaan. Tuotetta voidaan käyttää niin kauan kuin se läpäisee tarkastuskriteerit.

6.0 HUOLTO, KUNNOSSAPITO JA SÄILYTYS


6.1 PUHDISTUS: Korkean kapasiteetin kolmiosaisen taavettijalustan metalliosat tulee puhdistaa säännöllisesti pehmeällä harjalla, lämpimällä vedellä ja miedolla saippualliuoksella. Varmista, että osat huuhdellaan huolellisesti puhtaalla vedellä.

6.2 HUOLTO: Vain 3M tai sen kirjallisesti valtuuttamat tahot saavat tehdä korjauksia tähän laitteeseen. Mikäli korkean kapasiteetin kolmiosaiseen taavettijalustaan on kohdistunut putoamisvoimaa tai tarkastuksessa käy ilmi, että se on vaarallinen tai viallinen, tulee se poistaa käytöstä ja ottaa yhteyttä 3M:ään korvaavan osan tai korjauksen järjestämiseksi.

6.3 SÄILYTYS JA KULJETUS: Kun korkean kapasiteetin kolmiosainen taavettijalusta ei ole käytössä, varustetta ja siihen liittyviä laitteita tulee säilyttää viileässä, kuivassa ja puhtaassa ympäristössä suojassa suoralta auringonvalolta. Myös kuljetuksen tulee tapahtua samanlaisissa olosuhteissa. Vältä alueita, joilla saattaa esiintyä kemiallisia höyryjä. Tarkasta osat huolellisesti pitkän säilytysajan jälkeen.

7.0 MERKINNÄT

Kuvassa 6 näkyvät korkean kapasiteetin kolmiosaisen taavettijalustan merkinnät. Merkinnät tulee uusia, jos ne eivät ole täysin luettavissa. Kaikissa merkinnöissä on seuraavat tiedot:

	Lue kaikki ohjeet.
①	A) valmistettu (vuosi, kuukausi) B) mallinumero C) sarjanumero
②	Turvallinen työalue
③	Tapin kiinnityksen varoitus
④	CE-standarditodistus
⑤	AS/NZS-standarditodistus
⑥	EN 1496:2006, luokka B
⑦	8000104 suurin sallittu taavettivarren poikkeama, putoamissuojajärjestelmä, materiaalin käsittelyn kantavuus
⑦	8000105 suurin sallittu taavettivarren poikkeama, putoamissuojajärjestelmä, enimmäiskantavuus materiaalien käsittelyyn

Taulukko 3 – tarkastus- ja kunnossapitoloki

Tarkastuspäivä:		Tarkistanut:	
Komponentit:	Tarkastus: <i>(Katso tarkastusten tiheys osiosta 1)</i>	Käyttäjä	Pätevä henkilö ¹
Korkean kapasiteetin kolmiosainen taavettijalusta (kuva 2)	Tarkasta, ettei korkean kapasiteetin kolmiosaisessa taavettijalustassa ole murtumia, lommoja tai epämuodostumia.	<input type="checkbox"/>	<input type="checkbox"/>
	Tarkasta, ettei missään kohtaa laitetta näy liiallista syöpymistä.	<input type="checkbox"/>	<input type="checkbox"/>
	Varmista, että koukkutapit ja pidätintapit ovat täysin paikoillaan ja että ne on tarvittaessa kiinnitetty sokkatapeilla.	<input type="checkbox"/>	<input type="checkbox"/>
Merkinnät, kuva 7	Varmista että kaikki merkinnät ovat kunnolla kiinni ja lukukelpoisia (katso "Merkinnät").	<input type="checkbox"/>	<input type="checkbox"/>
Putoamisenestojärjestelmät ja muut laitteet	Korkean kapasiteetin kolmiosaisen taavettijalustan kanssa käytettävät putoamissuojajärjestelmien lisävarusteet (valjaat, itsekelautuvat laitteet jne.) tulee asentaa ja tarkastaa valmistajan ohjeiden mukaan.	<input type="checkbox"/>	<input type="checkbox"/>

Sarjanumero(t):	Ostopäivämäärä:
Mallinumero:	Ensimmäisen käyttökerran päivämäärä:
Korjaava toimi / kunnossapito:	Hyväksyjä:
	Päivämäärä:
Korjaava toimi / kunnossapito:	Hyväksyjä:
	Päivämäärä:
Korjaava toimi / kunnossapito:	Hyväksyjä:
	Päivämäärä:
Korjaava toimi / kunnossapito:	Hyväksyjä:
	Päivämäärä:
Korjaava toimi / kunnossapito:	Hyväksyjä:
	Päivämäärä:
Korjaava toimi / kunnossapito:	Hyväksyjä:
	Päivämäärä:
Korjaava toimi / kunnossapito:	Hyväksyjä:
	Päivämäärä:
Korjaava toimi / kunnossapito:	Hyväksyjä:
	Päivämäärä:
Korjaava toimi / kunnossapito:	Hyväksyjä:
	Päivämäärä:
Korjaava toimi / kunnossapito:	Hyväksyjä:
	Päivämäärä:
Korjaava toimi / kunnossapito:	Hyväksyjä:
	Päivämäärä:

1 Pätevä henkilö: Henkilö, joka pystyy tunnistamaan olemassa olevat ja ennustettavat vaaratekijät ympäristössä tai työolosuhteissa, jotka ovat vaarallisia, epähygieenisiä tai vaarallisia työntekijöille, ja jolla on valtuudet ryhtyä toimiin niiden poistamiseksi.

CONSIGNES DE SÉCURITÉ

Veillez lire, comprendre et suivre toutes les consignes de sécurité contenues dans ces instructions avant d'utiliser ce dispositif d'accès à un espace confiné/dispositif de sauvetage. LE NON-RESPECT DE CES INSTRUCTIONS PEUT CAUSER DES BLESSURES GRAVES OU LA MORT.

Ces instructions doivent être transmises à l'utilisateur de cet équipement. Conservez ces instructions pour vous y référer ultérieurement.

Utilisation prévue :

Ce dispositif d'accès à un espace confiné/dispositif de sauvetage est conçu pour être utilisé comme élément d'un système antichute individuel ou d'un équipement de sauvetage complet.

Toute utilisation pour d'autres applications, y compris, mais sans s'y limiter, des applications de manutention de matériaux non approuvées, des activités de loisirs ou sportives, ou d'autres activités non décrites dans les instructions d'utilisation ou les instructions d'installation, n'est pas approuvée par 3M et pourrait entraîner des blessures graves ou mortelles.

Ce dispositif ne doit être utilisé que par des utilisateurs formés pour des applications sur le lieu de travail.



AVERTISSEMENT

Ce dispositif d'accès à un espace confiné/dispositif de sauvetage fait partie d'un système antichute individuel ou d'un équipement de sauvetage complet. Tous les utilisateurs doivent être solidement formés à l'installation et au fonctionnement sécurisés du système complet. **Une mauvaise utilisation de ce dispositif pourrait entraîner des blessures graves ou être mortelle.** Pour ne faire aucune erreur dans la sélection, le fonctionnement, l'installation, la maintenance et l'entretien, suivez toutes les instructions fournies avec le produit et toutes les recommandations du fabricant, consultez votre superviseur ou contactez le service technique 3M.

- **Pour réduire les risques associés à l'utilisation d'un dispositif d'accès à un espace confiné/dispositif de sauvetage qui, s'ils ne sont pas évités, pourraient entraîner des blessures graves ou mortelles :**
 - Inspectez le dispositif avant chaque utilisation, au moins une fois par an, et après chaque chute. Procédez à l'inspection conformément aux instructions d'utilisation.
 - Si l'inspection effectuée fait apparaître un défaut ou un danger, retirez immédiatement le dispositif du service et réparez-le ou remplacez-le en respectant les instructions d'utilisation.
 - Si le dispositif a été soumis à des forces d'arrêt de chute ou d'impact, il doit être immédiatement mis hors service. Consultez les instructions d'utilisateur ou contactez le service de protection antichute 3M.
 - Le dispositif doit être installé uniquement de la manière décrite dans les instructions d'installation ou les instructions d'utilisation. Les installations et utilisations non conformes aux instructions doivent être approuvées en contactant par écrit le service de Protection antichute 3M.
 - Le substrat auquel ou la structure à laquelle le dispositif est fixé doit être capable de résister aux charges statiques spécifiées pour le dispositif dans les orientations autorisées indiquées dans les instructions d'utilisation ou les instructions d'installation.
 - Ne dépassez pas le nombre d'utilisateurs autorisés.
 - Ne travaillez jamais en dessous d'une charge ou d'un ouvrier suspendu.
 - Soyez vigilant(e) au cours de l'installation, de l'utilisation et du déplacement du dispositif, car les pièces en mouvement peuvent créer des points de pincement potentiels. Consultez le mode d'emploi.
 - Vérifiez que les procédures adéquates de verrouillage/d'étiquetage ont été appliquées.
 - Ne fixez jamais le dispositif à un système avant qu'il ne soit positionné, entièrement assemblé, ajusté et installé. N'ajustez pas le système lorsqu'un utilisateur y est attaché.
 - Ne reliez que les sous-systèmes de protection antichute au point du connecteur d'ancrage désigné sur le dispositif.
 - Avant de procéder au perçage ou à la fixation, vérifiez qu'aucune ligne électrique, conduite de gaz ou tout autre système critique intégré ne sera touché par la perceuse ou le dispositif.
 - Assurez-vous que les systèmes/sous-systèmes antichute assemblés avec des composants provenant de divers fabricants sont compatibles et respectent les exigences des normes applicables, y compris la norme ANSI Z359 ou d'autres codes, normes ou contraintes de protection contre les chutes. Consultez systématiquement une personne compétente ou qualifiée avant l'utilisation de ces systèmes.
- **Pour réduire les risques associés au travail en hauteur qui, faute de protection, peuvent entraîner des blessures graves ou mortelles :**
 - Assurez-vous que votre santé et votre condition physique vous permettent de supporter en toute sécurité les forces associées au travail en hauteur. Consultez votre médecin si vous avez des questions concernant votre aptitude à utiliser cet équipement.
 - Ne dépassez jamais les limites autorisées pour votre équipement antichute.
 - Ne dépassez jamais la distance de chute libre maximale de votre équipement antichute.
 - N'utilisez aucun équipement antichute qui n'a pas satisfait aux inspections avant utilisation ou aux autres inspections programmées, ou si vous avez des préoccupations concernant l'utilisation ou la compatibilité de l'équipement avec votre application. Contactez les services techniques de 3M si vous avez des questions.
 - Certaines combinaisons de sous-systèmes et de composants peuvent gêner le fonctionnement de cet équipement. Utilisez uniquement des raccords compatibles. Consultez 3M avant d'utiliser cet équipement conjointement avec des composants ou des sous-systèmes autres que ceux décrits dans les instructions d'utilisation.
 - Soyez particulièrement vigilant(e) lorsque vous travaillez autour de machines en mouvement (par exemple, les mécanismes d'entraînement par le haut des plates-formes pétrolières), en cas de risques électriques, de températures extrêmes, de risques chimiques, en présence de gaz explosifs ou toxiques, d'arêtes vives, ou de matériaux suspendus pouvant tomber sur vous ou sur l'équipement de protection antichute.
 - Utilisez des dispositifs de protection contre les arcs électriques ou conçus pour le travail à température élevée dans les environnements à chaleur intense.
 - Évitez les surfaces et les objets qui peuvent endommager l'utilisateur ou l'équipement.
 - Vérifiez que vous disposez d'une distance d'arrêt adaptée lorsque vous travaillez en hauteur.
 - Ne modifiez ni n'altérez jamais votre équipement antichute. Seul 3M ou les parties agréées par écrit par 3M peuvent réparer cet équipement.
 - Avant l'utilisation d'un équipement antichute, vérifiez qu'un plan de sauvetage est mis en place et qu'il permettra d'effectuer un sauvetage rapide si une chute se produit.
 - En cas de chute, faites immédiatement intervenir un médecin auprès du travailleur qui est tombé.
 - N'utilisez pas de ceinture de travail pour les applications de prévention des chutes. Utilisez uniquement un harnais intégral.
 - Réduisez le risque d'effets pendulaires en travaillant autant que possible directement sous le point d'ancrage.
 - Lors de la formation à l'utilisation de ce dispositif, vous devez utiliser un système antichute secondaire afin de ne pas exposer la personne formée à un risque de chute involontaire.
 - Portez toujours un équipement de protection individuelle approprié lors de l'installation, de l'utilisation ou de l'examen du dispositif/système.

Avant d'installer et d'utiliser cet équipement, enregistrer les informations d'identification du produit, indiquées sur l'étiquette d'identification, dans le Journal d'inspection et d'entretien (Tableau 2) figurant au dos du présent manuel.

DESCRIPTION DU PRODUIT :

La figure 1 représente la base de potence trois pièces haute capacité (HC) pour sauvetage/entrée dans un espace confiné 3M™ DBI-SALA®. La base de potence trois pièces haute capacité doit être assemblée sur une surface horizontale et recevoir le mât d'une potence HC pour sauvetage/entrée dans un espace confiné 3M DBI-SALA compatible.

La figure 2 présente les composants de la base de potence trois pièces haute capacité spécifiés dans le tableau 1. La base de potence trois pièces haute capacité se compose d'une section centrale (H) avec un manchon de potence intégré (A), avec des connecteurs de pieds réglables coulissants (E) de chaque côté qui sont verrouillés à la largeur souhaitée à l'aide de goupilles d'arrêt (C) et d'une molette de vissage (B). Les pieds (D) sont fixés aux connecteurs de pieds (E) à l'aide de goupilles d'attelage (I) et leur hauteur peut être réglée avec le pied réglable (F) et les poignées de réglage (G).

Tableau 1 – Spécifications

Spécifications de la base de potence :	
Dimensions	Consulter la figure 1 pour connaître les dimensions de la base de potence
Poids de la base de potence	8000104 37,5 kg (82,7 livres) 8000105 50,5 kg (111,3 livres)
Compatibilité	Les bases de potence couvertes par les présentes instructions sont compatibles avec les systèmes de potence haute capacité (HC) 3M™ DBI-SALA® à courte et longue portée.
Charge verticale par structure :	13,8 kN (3 100 livres)

Spécifications des composants :		
Figure 2 Référence	Composant	Matériaux
Ⓐ	Manchon de potence	Aluminium avec polyéthylène haute densité
Ⓑ	Molettes de vissage	Acier zingué et peint
Ⓒ	Goupilles d'arrêt	Acier zingué
Ⓓ	Pieds	Aluminium et acier zingué
Ⓔ	Connecteurs de pieds	Aluminium
Ⓕ	Pied réglable	Acier zingué
Ⓖ	Poignées de réglage	Acier zingué
Ⓕ	Section centrale	Aluminium
Ⓖ	Goupilles d'attelage	Acier zingué
Ⓖ	Niveau à bulle	

Capacités pondérales :	
Capacité de manipulation des matériaux	205 kg (452 livres)

1.0 APPLICATION PRODUIT

- 1.1 OBJECTIF :** Les bases de potence sont des points de montage conçus pour les systèmes de potence 3M compatibles. Consulter les instructions correspondant au système de potence pour l'utilisation du système et son fonctionnement.
- 1.2 NORMES :** Cette base de potence est conforme aux normes nationales ou régionales présentées sur la page de couverture des présentes instructions. Si ce produit est revendu en dehors du pays de destination d'origine, le revendeur doit fournir ces instructions dans la langue du pays où il sera utilisé.
- 1.3 INSTALLATION ET SUPERVISION :** L'installation de la base de potence doit être supervisée par une personne compétente¹. Une personne qualifiée² doit vérifier que l'installation de la structure est conforme aux réglementations locales et fédérales. Une personne qualifiée doit recommander les fixations appropriées et le positionnement adéquat de la base de potence. L'utilisation de la potence et de l'équipement de protection antichute joint doit être supervisée par une personne compétente.
- 1.4 DOCUMENTATION DU SITE :** après l'assemblage et l'installation des bases de potence, la documentation d'installation répondant aux exigences informationnelles de la norme EN 795 annexe A, doit être remplie par l'installateur et transmise au représentant désigné par l'utilisateur. La documentation d'installation doit être conservée sur le chantier à des fins d'examens ultérieurs.
- 1.5 FORMATION :** Cet équipement doit être installé et utilisé par des personnes formées à cet effet. Ce manuel peut être utilisé dans le cadre d'un programme de formation des employés et/ou de réglementations régionales. Il relève de la responsabilité des utilisateurs et des installateurs de cet équipement de s'assurer qu'ils se sont familiarisés avec ces instructions, qu'ils ont été formés à l'entretien et à l'utilisation corrects du matériel et qu'ils ont connaissance des caractéristiques de fonctionnement, des limites d'application et des conséquences d'une mauvaise utilisation.
- 1.6 PLAN DE SAUVETAGE :** pour utiliser la base de potence et l'équipement de protection antichute connecté, l'employeur doit disposer d'un plan de sauvetage et de moyens disponibles pour le mettre en place et le communiquer aux utilisateurs. Il est recommandé de mettre en place une équipe adéquatement formée, de sauvetage sur site. Il conviendra de mettre à la disposition des membres de l'équipe l'équipement et les moyens techniques nécessaires à la bonne exécution d'une opération de sauvetage. La formation devra être dispensée sur une base régulière afin de garantir le niveau de compétence du sauvetage.
- 1.7 FRÉQUENCE D'INSPECTION :** La base de potence doit être inspectée par l'utilisateur avant chaque utilisation et par ailleurs, par une personne compétente autre que l'utilisateur, à des intervalles d'un an au plus.³ Les procédures d'inspection sont décrites dans le « *Journal d'inspection et d'entretien* ». Les résultats de chaque inspection effectuée par une personne compétente doivent être enregistrés dans des exemplaires du « *Journal d'inspection et d'entretien* ».

2.0 CARACTÉRISTIQUES DU SYSTÈME

- 2.1 ANCRAGE ET FIXATIONS :** Toute structure et toute fixation (fixations le cas échéant) utilisées pour fixer la base de potence doivent répondre à la « configuration de montage » définie dans le tableau 1.
- 2.1 COMPATIBILITÉ DES COMPOSANTS :** L'équipement 3M est conçu pour être utilisé uniquement avec d'autres composants et sous-systèmes agréés 3M. La substitution ou le remplacement de pièces par des composants ou des sous-composants non approuvés peut compromettre la compatibilité de l'équipement et affecter la sécurité et la fiabilité de l'ensemble du système.
- 2.2 ÉQUIPEMENT DE PROTECTION INDIVIDUELLE (EPI) ANTICHUTE :** Les équipements de protection individuelle (EPI) antichute utilisés avec le système doivent être conformes aux normes, codes et réglementations applicables en matière de protection contre les chutes. L'EPI doit utiliser un harnais intégral et limiter la force d'arrêt aux valeurs suivantes :

	Force d'arrêt maximale	Chute libre
Équipement de protection individuelle (EPI) antichute avec longe antichute	6 kN (1350 lb)	Vous trouverez les limites de chute libre dans l'instruction ou les instructions de votre longe ou de votre dispositif antichute à rappel automatique.
Équipement de protection individuelle (EPI) antichute avec dispositif antichute à rappel automatique (Self Retracting Device, SRD)	6 kN (1350 lb)	

- 2.3 DANGERS :** L'utilisation de cet équipement dans des zones à risque environnemental peut nécessiter des précautions supplémentaires pour éviter tout risque de blessures corporelles de l'utilisateur ou de dommages matériels. Consultez les instructions du mât à potence 3M sur les dangers spécifiques susceptibles d'affecter l'utilisation du système.

1 Personne compétente : Personne capable d'identifier des dangers existants et prévisibles dans les milieux de travail, ou des conditions de travail non hygiéniques ou dangereuses pour les ouvriers, et ayant l'autorisation de prendre des mesures correctives rapides pour les éliminer.

2 Personne qualifiée : Individu qui possède un diplôme reconnu ou un certificat professionnel, et qui bénéficie d'une vaste expérience dans la protection contre les chutes. Cet individu doit être capable de maîtriser la conception, l'analyse, l'évaluation et les spécifications en matière de protection contre les chutes.

3 Fréquence d'inspection : des conditions de travail extrêmes (environnement hostile, utilisation prolongée, etc.) peuvent nécessiter des inspections plus fréquentes par une personne compétente.

3.0 ASSEMBLAGE

3.1 PRÉPARATION : Préparer votre système de protection antichute avant d'installer la base de potence haute capacité à trois pièces. Prendre en compte tous les facteurs qui pourraient affecter la sécurité avant, pendant et après une chute. Prendre en compte toutes les exigences définies dans la section 2 et le tableau 1 afin de déterminer les fixations ainsi que le positionnement corrects pour le montage de la base de potence trois pièces haute capacité sur la structure d'ancrage.

- **Ancrage :** L'ancrage sur lequel est montée la base de potence trois pièces haute capacité doit répondre aux exigences de charge d'ancrage spécifiées dans la section 2 et aux exigences de charge verticale du tableau 1.

3.2 ASSEMBLAGE DE LA BASE DE POTENCE TROIS PIÈCES HAUTE CAPACITÉ : La figure 5 illustre l'installation de la base de potence trois pièces haute capacité. Fixer la base de potence trois pièces haute capacité sur une surface horizontale qui répond aux exigences en matière de résistance spécifiées dans le tableau 1, par exemple sur une structure en béton ou en acier :

1. Insérer les connecteurs des pieds (E) dans la section centrale (H).
2. Disposer les éléments du système sur le sol à l'emplacement où il sera utilisé, en prenant soin d'éliminer tout risque de chute potentiel.
3. Placer le pied (D) perpendiculairement à la section centrale (H), le maintenir droit et soulever le connecteur du pied (E) jusqu'au pied (D) à l'aide des languettes pour guider et positionner le connecteur d'extrémité.
4. Insérer les goupilles d'attelage (I) fixant le pied (D) au connecteur de pied (E) et les sécuriser à l'aide du crochet esse fourni.
5. Répéter cette procédure pour le pied du côté opposé.
6. Régler la base à la largeur souhaitée et insérer les goupilles d'arrêt (C) entièrement dans la section centrale (H) pour fixer les connecteurs des pieds (E). Serrer la molette de vissage (B) au dos de la section centrale (H).
7. Régler le pied de mise à niveau (F) pour mettre la base de niveau, à l'aide du niveau à bulle fourni (J) en vérifiant que la bulle se trouve bien dans le cercle de référence.

Avant toute utilisation, vérifier que toutes les goupilles sont complètement insérées et disposent de crochets esses installés. Voir la figure 4.

4.0 UTILISATION

4.1 AVANT CHAQUE UTILISATION : Vérifier que la zone de travail et l'équipement de protection individuelle (EPI) antichute (Personal Fall Arrest System, PFAS) répondent à tous les critères définis dans la section 2 et qu'un plan de sauvetage officiel est mis en place. Inspecter la base de potence trois pièces haute capacité conformément aux consignes d'inspection « Utilisateur » figurant dans le « Journal d'inspection et d'entretien » dans le Tableau 2. Ne pas utiliser le système si l'inspection révèle une condition dangereuse ou défectueuse. Retirer le système du service et le détruire, ou contacter 3M pour effectuer une réparation ou un remplacement.

4.2 ZONE DE TRAVAIL : La base de potence trois pièces haute capacité de 3M ne doit être utilisée que dans la zone de travail autorisée entre les côtés les plus longs des pieds. Voir la figure 3.

Zone de travail : Le système peut devenir instable s'il est utilisé en dehors de la zone de sécurité sécurisée illustrée dans la figure 3.

5.0 INSPECTION

5.1 FRÉQUENCE D'INSPECTION : La base de potence trois pièces haute capacité doit être inspectée aux intervalles définis dans la section 1. Les procédures d'inspection sont décrites dans le « Journal d'inspection et d'entretien » dans le Tableau 2. Inspecter tous les autres éléments du système de protection antichute conformément aux fréquences et aux procédures définies dans les instructions du fabricant.

5.2 DÉFECTUOSITÉS : Si l'inspection révèle un état dangereux ou défectueux, retirer immédiatement du service la base de potence trois pièces haute capacité et contacter 3M pour effectuer un remplacement ou une réparation. Ne pas essayer de réparer le dispositif antichute.

Les réparations doivent être effectuées par les réparateurs agréés uniquement : Seul 3M ou les parties agréées par écrit peuvent réparer cet équipement.

5.3 DURÉE DE VIE DU PRODUIT : La durée de vie fonctionnelle du dispositif antichute est déterminée par les conditions de travail et l'entretien. Le produit peut rester en service tant qu'il répond aux critères d'inspection.

6.0 ENTRETIEN, RÉVISION, STOCKAGE

6.1 NETTOYAGE : Nettoyer régulièrement les composants métalliques de la base de potence trois pièces haute capacité avec une brosse douce, de l'eau chaude et une solution légèrement savonneuse. Veiller à rincer les pièces abondamment avec de l'eau propre.

6.2 RÉPARATION : Seul 3M ou les parties agréées par écrit par 3M peuvent réparer cet équipement. Si la base de potence trois pièces haute capacité a été soumise à une force suite à une chute ou si l'inspection révèle un état dangereux ou défectueux, retirez immédiatement ce système du service et contactez 3M pour effectuer un remplacement ou une réparation.

6.3 STOCKAGE ET TRANSPORT : Lorsque la base de potence trois pièces haute capacité n'est pas utilisée, la ranger et la transporter avec ses accessoires de protection antichute dans un endroit frais, sec et propre, à l'abri des rayons du soleil. Éviter les endroits pouvant contenir des vapeurs chimiques. Inspecter soigneusement les pièces après une période de stockage prolongée.

7.0 ÉTIQUETTES

La figure 6 présente les étiquettes figurant sur la base de potence trois pièces haute capacité. Les étiquettes doivent être remplacées si elles ne sont pas parfaitement lisibles. Les informations présentes sur chaque étiquette sont les suivantes :


	Lire toutes les instructions.
①	A) Date de fabrication (année, mois) B) Numéro de modèle C) Numéro de série
②	Zone de travail sécurisée.
③	Avertissements concernant la fixation des goupilles
④	Conformité aux normes CE
⑤	Conformité aux normes AS/NZS
⑥	EN1496:2006 Classe B
⑦	8000104 Décalage maximum du bras de la base de potence, Équipement de protection individuelle (EPI) antichute, Capacité de manipulation des matériaux
⑦	8000105 Décalage maximum du bras de la base de potence, Équipement de protection individuelle (EPI) antichute, Capacité de manipulation des matériaux

Tableau 3 – Journal d’inspection et d’entretien

Date d’inspection :		Inspection par :	
Composants :	Inspection : (Voir la section 1 pour la <i>Fréquence des inspections</i>)	Utilisateur	Personne compétente ¹
Base de potence haute capacité composée de trois pièces (Figure 2).	Inspecter la base de potence trois pièces haute capacité pour détecter toute trace de fissure, de bosse ou de déformation.	<input type="checkbox"/>	<input type="checkbox"/>
	Inspecter toute l’unité pour détecter les traces de corrosion excessive.	<input type="checkbox"/>	<input type="checkbox"/>
	Vérifier que les goupilles d’attelage et les goupilles d’arrêt sont entièrement insérées et sécurisées, à l’aide de crochets esses si nécessaire.	<input type="checkbox"/>	<input type="checkbox"/>
Étiquettes Figure 7	Vérifier que toutes les étiquettes sont correctement fixées et lisibles (voir « <i>Étiquettes</i> »)	<input type="checkbox"/>	<input type="checkbox"/>
EPI et autre matériel	Tout équipement de protection individuelle (EPI) antichute supplémentaire (harnais, antichute à rappel automatique (Self-Retracting Lifeline, SRL), etc.) utilisé avec la base de potence trois pièces haute capacité doit être installé et inspecté conformément aux instructions du fabricant.	<input type="checkbox"/>	<input type="checkbox"/>
Numéro(s) de série :		Date d’achat :	
Numéro de modèle :		Date de la première utilisation :	
Mesures correctives/entretien :		Approuvé par :	
		Date :	
Mesures correctives/entretien :		Approuvé par :	
		Date :	
Mesures correctives/entretien :		Approuvé par :	
		Date :	
Mesures correctives/entretien :		Approuvé par :	
		Date :	
Mesures correctives/entretien :		Approuvé par :	
		Date :	
Mesures correctives/entretien :		Approuvé par :	
		Date :	
Mesures correctives/entretien :		Approuvé par :	
		Date :	
Mesures correctives/entretien :		Approuvé par :	
		Date :	
Mesures correctives/entretien :		Approuvé par :	
		Date :	
Mesures correctives/entretien :		Approuvé par :	
		Date :	

1 *Personne compétente* : Personne capable d’identifier des dangers existants et prévisibles dans les milieux de travail, ou des conditions de travail non hygiéniques ou dangereuses pour les ouvriers, et ayant l’autorisation de prendre des mesures correctives rapides pour les éliminer.

ÖRYGGISUPPLÝSINGAR

Vinsamlegast lestu, hafðu skilning á og fylgdu öllum öryggisupplýsingum sem eru í þessum leiðbeiningum áður en þessi búnaður fyrir inngöngu í lokað rými/björgunarbúnaður er notaður. EF LEIÐBEININGUM ÞESSUM ER EKKI FYLGT EFTIR, GETUR ÞAÐ VALDIÐ ALVARLEGUM MEÐSLUM, LÍKAMSTJÓNI EÐA DAUÐA.

Leiðbeiningar þessar verður að afhenda notanda þessa búnaðar. Geymdu þessar leiðbeiningar til að styðjast við í framtíðinni.

Tilætluð notkun:

Þessi búnaður fyrir inngöngu í lokað rými/björgunarbúnaður er ætlaður til notkunar sem hluti af persónulegu fallstöðvunarkerfi eða björgunarkerfi.

Öll önnur notkun, þ.m.t., en takmarkast ekki við, ósamþykkt meðhöndlun efna, notkun í afþreyingar- eða íþróttaskyni eða önnur notkun sem ekki er lýst í notendaleiðbeiningum eða uppsetningarleiðbeiningum, er ekki samþykkt af 3M og gæti valdið alvarlegum meiðslum eða dauða.

Einungis þjálfaðir notendur á vinnustað skulu nota þennan búnað.

VIÐVÖRUN

Þessi búnaður fyrir inngöngu í lokað rými/björgunarbúnaður er hluti af fallstöðvunarkerfi eða björgunarkerfi. Ætlast er til að allir notendur séu fullþjálfaðir í öruggri uppsetningu og notkun alls kerfisins. **Röng notkun þessa búnaðar getur valdið alvarlegum meiðslum eða dauða.** Til að geta framkvæmt rétt val, notkun, viðhald og þjónustu, skaltu lesa allar leiðbeiningar um vöru og allar ráðleggingar framleiðanda, ræddu við yfirmann þinn eða hafðu samband við tæknilega þjónustu 3M.

- **Til að lágmarka þá áhættu sem tengist því að vinna með búnað fyrir inngöngu í lokað rými/björgunarbúnað sem getur, í versta falli, valdið alvarlegu líkamstjóni eða dauða, skal gera eftirfarandi:**
 - Skoðaðu búnaðinn fyrir sérhverja notkun, a.m.k. árlega og ef fall hefur átt sér stað. Skoðaðu í samræmi við notendaleiðbeiningarnar.
 - Ef skoðunin leiðir óruggt ástand eða galla í ljós, skal taka búnaðinn úr umferð og gera við hann eða endurnýja í samræmi við notendaleiðbeiningar.
 - Allan búnað sem hefur verið notaður í falli eða orðið fyrir miklu höggi þarf umsvifalaust að taka úr umferð. Kynntu þér notendaleiðbeiningar eða hafðu samband við fallverndun 3M.
 - Búnaðinn má aðeins setja upp á þann hátt sem lýst er í uppsetningarleiðbeiningum eða notendaleiðbeiningum. Uppsetning og notkun fyrir utan umfang leiðbeininga þarf að vera samþykkt skriflega af fallverndun 3M.
 - Það undirlag eða mannvirki sem búnaðurinn er festur við verður að þola þann kyrrstöðupunga sem tilgreindur er fyrir búnaðinn í notendaleiðbeiningum eða uppsetningarleiðbeiningum.
 - Ekki má fara fram fyrir fjölda leyfilegra notenda.
 - Aldrei má vinna fyrir neðan upphengdan farm eða starfsmann.
 - Sýna skal varúð við uppsetningu, notkun og tilfærslu á búnaðinum þar sem ganghlutir geta valdið hugsanlegum klemmupunktum. Kynntu þér notendaleiðbeiningarnar.
 - Tryggja skal að réttu verklagi fyrir læsingu/merkingu hafi verið fylgt eins og við á.
 - Aldrei má festa við kerfi fyrr en það er staðsett, samsett að fullu, stillt og uppsett. Ekki má stilla kerfið þegar notandinn er fastur við það.
 - Aðeins má tengja undirkerfi fallvarnar við tilgreindan festipunkt á búnaðinum.
 - Áður en borað er eða fest, skal tryggja að snerting eigi sér ekki stað við raflínu, gasleiðslur eða önnur mikilvæg innfelld kerfi af bornum eða búnaðinum.
 - Tryggja skal að öll fallvarnarkerfi/undirkerfi sem eru samsett úr íhlutum mismunandi framleiðenda séu samhæfð og mæti kröfum viðeigandi staðla, þ.m.t. staðlinum ANSI Z359 eða öðrum viðeigandi fallvarnarkóðum, stöðlum eða kröfum. Alltaf skal ráðfæra sig við hæfan eða vottaðan aðila, áður en þessi kerfi eru notuð.
- **Til að minnka áhættuna sem fylgir því að starfa hátt uppi, sem gæti, ef ekki er komið í veg fyrir það, valdið alvarlegu líkamstjóni eða dauða:**
 - Tryggðu að heilsa þín og líkamlegt ástand geri þér örugglega kleift að þola allt það álag sem fylgir því að starfa hátt uppi. Ráðfærðu þig við lækni ef þú ert með einhverjar spurningar varðandi hæfni þína til að nota þennan búnað.
 - Aldrei skal fara yfir leyfilega getu fallvarnarbúnaðarins.
 - Aldrei skal fara umfram hámarkslengd frjáls falls sem fallvarnarbúnaðurinn leyfir.
 - Ekki nota neinn fallvarnarbúnað sem bilar við prófun eða við eftirlit, eða ef þú hefur áhyggjur af notkun búnaðarins eða telur að hann henti ekki í það verk sem er fyrir höndum. Hafðu samband við tæknilega þjónustu 3M ef þú ert með einhverjar spurningar.
 - Sum undirkerfi og samsetningar íhluta geta truflað notkun þessa búnaðar. Einungis skal nota tengingar sem eru samhæfðar við þennan búnað. Ráðfærðu þig við 3M fyrir notkun þessa búnaðar með íhlutum eða undirkerfum sem eru frábrugðin þeim kerfum sem er lýst í notendaleiðbeiningunum.
 - Nota skal auka varúðarráðstafanir þegar verið er að vinna nálægt tækjabúnaði sem er á hreyfingu (t.d. á olíuborþöllum), nálægt rafmagnshættu, við hátt hitastig, við efnahættu, þar sem sprengihætta er eða hættulegt gas, skarpar brúnir, eða undir hlutum sem gætu fallið á þig eða fallið á verndarbúnaðinn.
 - Notaðu Arc Flash- eða Hot Works-búnað þegar þú vinnur í mjög heitu umhverfi.
 - Forðastu yfirborðsfleti og hluti sem geta skaðað notandann eða búnaðinn.
 - Tryggðu að það sé viðeigandi pláss til að falla þegar þú vinnur hátt uppi.
 - Aldrei breyta eða umbreyta fallvarnarbúnaðinum. Einungis 3M eða aðilar sem hafa skriflegt umboð frá 3M mega gera við þennan búnað.
 - Áður en fallvarnarbúnaðurinn er notaður skal tryggja að neyðaráætlan sé til um það hvernig samstundis skuli bregðast við ef fall eða slys á sér stað.
 - Ef atvik á sér stað skal umsvifalaust leita læknishjálpar fyrir þann starfsmann sem fallið hefur.
 - Ekki skal nota líkamsbelti til að stöðva fall. Einungis skal nota full líkamsbeisli til að stöðva fall.
 - Lágmarka skal sveiflur með því að vinna eins beint fyrir neðan festipunktinn og mögulegt er.
 - Ef þjálfun fer fram með þessum búnaði, verður að nota annað fallvarnarkerfi þannig að sá sem er í þjálfun sé ekki í hættu við að falla óvart til jarðar.
 - Alltaf skal nota viðeigandi persónuhlífar þegar verið er að setja upp, nota eða hafa eftirlit með búnaðinum/kerfinu.

Fyrir uppsetningu og notkun búnaðarins skal skrá auðkennisupplýsingar búnaðarins sem eru á auðkennismerkingunni í Eftirlits- og viðhaldsskrá (tafla 3) á bakhlið handbókarinnar.

VÖRULÝSING:

Mynd 1 sýnir 3M™ DBI-SALA® Confined Space Entry/Rescue (HC) High Capacity Three Piece Davit Base. High Capacity Three Piece Davit Base skal setja saman á láréttum fleti og fá mastur sem er samhæft 3M DBI-SALA Confined Space Entry / Rescue HC Davit.

Mynd 2 sýnir íhluti High Capacity Three Piece Davit Base sem tilgreindir eru á mynd 1. High Capacity Three Piece Davit Base samanstendur af miðjuhluta (H) með innbyggðri Davit Sleeve (A), með fótartengi sem má stilla (E) á báðum hliðum sem læsast í viðeigandi breidd með láspinnum (C) og skrúfum (B). Samsetningar fótis (D) eru festar við fótartengi (E) með festipinum (I) og má hæðarstillast með stillanlegum fæti (F) og stillihandföngum (G).

Tafla 1 – Tæknilysing

Davit Base Tæknilysing:		
Mál	Á mynd 1 er að finna Davit Base mál	
Davit Base Þyngd	8000104 37,5 kg (82,7 lbs) 8000105 50,5 kg (111,3 lbs)	
Samhæfi	Búnaðurinn sem fjallað er um í þessum leiðbeiningum er samhæfður við 3M™ DBI-SALA® High Capacity (HC) Short Reach og Long Reach Davit Systems.	
Lágmarks festikröfur:		
Lóðrétt álag fyrir hvert mannvirki:	13,8 kN (3.100 lbs)	
Tæknilysing íhluta:		
Mynd 2 Tilvísun	Íhlutur	Efni
Ⓐ	Davit Sleeve	Ál með eðlisþungu póletýleni
Ⓑ	Skrúfur	Sínkhúðað og púðurhúðað stál
Ⓒ	Láspinnar	Sínkhúðað stál
Ⓓ	Samsetningar fótis	Ál og sínkhúðað stál
Ⓔ	Fótartengi	Ál
Ⓕ	Stillanlegur fótur	Sínkhúðað stál
Ⓖ	Stillanleg handföng	Sínkhúðað stál
Ⓗ	Miðjuhluti	Ál
Ⓘ	Festipinnar	Sínkhúðað stál
Ⓙ	Stillibóla	
Þyngdargeta:		
Geta til efnameðhöndlunar		205 kg (452 lbs)

1.0 NOTKUN Á VÖRU

- 1.1 TILGANGUR:** Davit Bases eru hannaðir festipunktur fyrir samhæf 3M Davit Systems. Sjá viðeigandi Davit System leiðbeiningar varðandi notkun og virkni kerfisins.
- 1.2 STAÐLAR:** Þessi Davit Base er í samræmi við innlendan og svæðisbundinn staðal (staðla) sem finna má á forsíðu þessara leiðbeininga. Ef þessi vara er endurseld utan upprunalslandsins skal endursöluaðilinn veita þessar leiðbeiningar á tungumáli landsins þar sem varan verður notuð.
- 1.3 UPPSETNING OG EFTIRLIT:** Uppsetning á Davit Base skal fara fram undir eftirliti hæfs aðila¹. Vottaður aðili² verður að staðfesta að uppsetningin uppfylli kröfur staðbundinna reglugerða og alríkisreglugerða. Hæfur aðili verður að mæla með viðeigandi festingum og viðeigandi staðsetningu á Davit Base. Notkun á Davit og meðfylgjandi fallstöðvunarbúnaði þarf að vera undir eftirliti hæfs aðila.
- 1.4 GÖGN STARFSSTÖÐVAR:** Eftir samsetningu og uppsetningu á Davit Bases þarf uppsetningaraðili að ljúka við uppsetningargögn sem uppfylla upplýsingakröfur EN795 Annex A og þarf að síðan að koma þeim til tilnefnds fulltrúa notandans. Upplýsingagögnin skal geyma á starfsstöðinni til skoðunar síðar meir.
- 1.5 ÞJÁLFUN:** Búnaðurinn þarf að vera settur upp og notaður af aðilum sem hafa hlotið þjálfun í réttri notkun hans. Þessa handbók má nota sem hluta af þjálfun starfsmanna og/eða til að uppfylla kröfur reglugerða á svæðinu. Það er á ábyrgð notenda og uppsetningaraðila þessa búnaðar að þeir hafi náð góðum skilningi á leiðbeiningum þessum og að þeir hafi fengið þjálfun í réttri umhirðu og notkun þessa búnaðar. Einnig er nauðsynlegt að þeir skilji eiginleika búnaðarins við notkun, takmarkanir hans, og hvaða afleiðingar það getur haft að nota þennan búnað á rangan hátt.
- 1.6 BJÖRGUNARÁÆTLUN:** Við notkun Davit og tengdan fallvarnarbúnað verður vinnuveitandinn að hafa sett upp björgunaráætlun og hafa ráðstafanir við höndina til að framkvæma hana og miðla til notenda. Mælt er með að þjálfað björgunarteymi sé á staðnum. Teymisáðilar ættu að fá búnað og tækni til að framkvæma farsæla björgun. Þjálfun ætti að fara fram með reglubundnum hætti til að tryggja skilvirkni við björgun.
- 1.7 EFTIRLITSTÍÐNI:** Davit Base þarf að skoða af notandanum fyrir sérhverja notkun svo og af hæfum aðila öðrum en notandanum, og ekki má líða meira en ár á milli skoðana.² Eftirlitsferli er lýst í „Eftirlits- og viðhaldsskrá“. Niðurstöður úr skoðun sérhvers hæfs aðila ætti að skrá í öll eintök af „Eftirlits- og viðhaldsskrá“.

2.0 KERFISKRÖFUR

- 2.1 FESTINGAR:** Öll mannvirki og festingar (festingar ef við á) notaðar til að festa Davit Base verða að uppfylla „Festikröfur“ sem skilgreindar eru í töflu 1.
- 2.1 SAMHÆFI ÍHLUTA:** 3M búnaður er aðeins hannaður til notkunar með öðrum 3M-samþykktum íhlutum og undirkerfum. Skiptingar eða endurnýjanir sem fara fram með íhlutum eða undirkerfum sem ekki eru samþykkt, geta komið í veg fyrir samhæfi búnaðar og geta haft áhrif á öryggi og áreiðanleika heildarkerfisins.
- 2.2 PERSÓNULEG FALLSTÖÐVUNARKERFI:** Persónuleg fallstöðvunarkerfi (Personal Fall Arrest Systems-PFAS) sem notuð eru með kerfinu verða að uppfylla viðeigandi fallvarnarstaðla, reglur og kröfur. PFAS verður að notast við líkamsöryggisbelti og takmarka höggálag við eftirfarandi gildi:

	Hámarks höggálag	Frjálst fall
PFAS með dragreipi sem dregur úr höggi	6 kN (1.350 lbs)	Kynntu þér leiðbeiningarnar sem fylgja dragreipinu þínu eða sjálfinnndraganlegum búnaði (SRD) til að nálgast upplýsingar um takmarkanir varðandi frjálst fall.
PFAS með sjálfinnndraganlegum búnaði (Self Retracting Device-SRD)	6 kN (1.350 lbs)	

- 2.3 HÆTTA:** Notkun þessa búnaðar á svæðum með umhverfishættu getur krafist viðbótarráðstafana til að koma í veg fyrir meiðsli á þeim sem notar hann eða skemmdir á búnaði. Sjá 3M Davit Mast leiðbeiningar til að nálgast upplýsingar um ákveðna hættur varðandi notkun á kerfinu.

1 Hæfur aðili: Aðili sem hefur getu til að bera kennsl á núverandi eða fyrirsjáanlega hættu í umhverfinu, eða bera kennsl á vinnuaðstæður sem eru óheilbrigðar, hættulegar eða ógna öryggi starfsmanna, og sem hefur umboð til að grípa til viðeigandi ráðstafana til að sneiða hjá hættunni.

2 Eftirlitstíðni: Erfiðar vinnuaðstæður (óblítt umhverfi, langvarandi notkun, o.s.frv.) geta haft í för með sér tíðari skoðanir af hæfum aðila.

3.0 SAMSETNING

- 3.1 SKIPULAGNING:** Skipulegðu fallvarnarkerfi þitt fyrir uppsetningu á High Capacity Three Piece Davit Base. Taktu tillit til allra þátta sem geta haft áhrif á öryggi fyrir, á meðan og eftir fall. Íhugaðu allar kröfur sem skilgreindar eru í kafla 2 og töflu 1 til að ákvarða réttar festingar og staðsetningu fyrir High Capacity Three Piece Davit Base á festistað.
- **Festing:** Festistaður sem High Capacity Three Piece Davit Base er festur við þarf að uppfylla kröfur um festivægi sem tilgreindar eru í kafla 2 og lóðrétt álag í töflu 1.
- 3.2 SAMSETNING Á HIGH CAPACITY THREE PIECE DAVIT BASE:** Mynd 5 sýnir uppsetningu á High Capacity Three Piece Davit Base fyrir á láréttum fleti sem uppfyllir styrkleikakröfur í töflu 1, til dæmis á steiptum fleti eða stálfleti:
1. Settu fótartengi (E) í miðjuhlutann (H).
 2. Leggðu kerfið á gólfíð á nokkurn veginn því svæði sem nota á það og komdu í veg fyrir hugsanlega fallhættu.
 3. Hafðu samsetningu fóts (D) hornrétt við miðjuhlutann (H), haltu samsetningu fóts uppréttri og lyftu fótartengi (E) upp í samsetningu fóts (D) með því að nota flipana á fótunum til að stýra endatengjum á sinn stað.
 4. Settu festipinnana í (I) sem festa samsetningu fóts (D) við fótartengi (E) og tryggðu þá með því að nota meðfylgjandi hjóltitt.
 5. Endurtaktu fyrir fótinn hinum megin.
 6. Stilltu grunnsamsetningu við viðeigandi breidd og settu láspinnana (C) að fullu í gegnum miðjuhlutann (H) og festu þannig fótartengin (E). Hertu skrúfurnar (B) aftan á miðjuhlutanum (H).
 7. Stilltu stillifótinn (F) til að gera grunnsamsetninguna lárétta, notaðu meðfylgjandi loftból (J) til að tryggja að bólan sé innan viðmiðunarhringsins.

Staðfestu að allir pinnar séu að fullu settir og og að hjóltittir séu til staðar fyrir notkun. Sjá mynd 4.

4.0 NOTKUN

- 4.1 FYRIR SÉRHERJA NOTKUN:** Staðfestu að vinnusvæði þitt og persónulegt fallstöðvunarkerfi (PFAS) uppfylla öll viðmið í kafla 2 og að formleg björgunaráætlun sé til staðar. Skoðaðu High Capacity Three Piece Davit Base í samræmi við skoðunarpunkta *'notanda'* sem skilgreindir eru í „Eftirlits- og viðhaldsskrá“ í töflu 3. Ef skoðun leiðir í ljós óöruggt eða gallað ástand skal ekki nota kerfið. Taktu kerfið úr notkun og fargaðu því eða hafðu samband við 3M varðandi endurnýjun eða viðgerð.
- 4.2 VINNUSVÆÐI:** 3M High Capacity Three Piece Davit Base má aðeins nota á heimiluðu vinnusvæði á milli lengstu hliða samsetninga fóts. Sjá mynd 3.

Vinnusvæði: Kerfið getur orðið óstöðugt ef það er notað fyrir utan örugga vinnusvæðið á mynd 3.

5.0 EFTIRLIT

- 5.1 EFTIRLITSTÍÐNI:** Eftirlit með High Capacity Three Piece Davit Base þarf að eiga sér stað á samkvæmt tíðni sem skilgreind er í kafla 1. Eftirlitsferli er lýst í „Eftirlits- og viðhaldsskrá“ í töflu 3. Skoðaðu alla aðra hluta fallstöðvunarkerfisins í samræmi við tíðni og ferli sem skilgreint er í leiðbeiningum framleiðanda.
- 5.2 GALLAR:** Ef eftirlit leiðir í ljós óöruggt eða gallað ástand skal taka High Capacity Three Piece Davit Base tafarlaust úr notkun og hafa samband við 3M varðandi endurnýjun eða viðgerðir. Ekki reyna að gera við fallstöðvunarkerfið.

Aðeins viðurkenndar viðgerðir: Einungis 3M fyrirtækið eða aðilar sem hafa skriflegt umboð frá því mega gera við þennan búnað.


- 5.3 LÍFTÍMI VÖRU:** Virknistími fallstöðvunarkerfisins ræðst af vinnuáðstæðum og viðhaldi. Nota má vöruna áfram svo lengi sem hún stenst eftirlitsviðmið.

6.0 VIÐHALD, ÞJÓNUSTA OG GEYMSLA

- 6.1 HREINSUN:** Hreinsaðu málmhluta High Capacity Three Piece Davit Base með reglubundnum hætti með mjúkum bursta, volgu vatni og mildri sápuþvott. Tryggðu að hlutarnir séu skolaðir vandlega með hreinu vatni.
- 6.2 VIÐHALD:** Einungis 3M eða aðilar sem hafa skriflegt umboð frá 3M mega gera við þennan búnað. Ef High Capacity Three Piece Davit Base hefur orðið fyrir höggi eða eftirlit leiðir í ljós óöruggt eða gallað ástand skal taka kerfið úr notkun og hafa samband við 3M varðandi endurnýjun eða viðgerðir.
- 6.3 GEYMSLA OG FLUTNINGUR:** Þegar kerfið er ekki í notkun skal geyma og flytja High Capacity Three Piece Davit Base og tengdan fallvarnarbúnað á köldum, þurrum og hreinum stað fjarri beinu sólarljósi. Forðastu svæði þar sem efnagufur geta verið til staðar. Skoðaðu vandlega hlutana eftir langa geymslu.

7.0 MERKINGAR

Mynd 6 sýnir merkingar á High Capacity Three Piece Davit Base. Merkingar þarf að endurnýja ef þær eru ekki að fullu læsilegar. Upplýsingar á hverri merkingu eru eftirfarandi:

	Lestu allar leiðbeiningar.
①	A) Framleitt (ár, mánuður) B) Gerðarnúmer C) Raðnúmer
②	Öruggt vinnusvæði.
③	Viðvörðun fyrir pinnafestingu
④	CE staðlavottun
⑤	AS/NZS staðlavottun
⑥	EN1496:2006 Class B
⑦	8000104 Hámarks hliðrun Davit arms, persónulegt fallstöðvunarkerfi (PFAS), geta til efnameðhöndlunar
⑧	8000105 Hámarks hliðrun Davit arms, persónulegt fallstöðvunarkerfi (PFAS), geta til efnameðhöndlunar

Leggere, comprendere e seguire tutte le informazioni sulla sicurezza contenute nelle presenti istruzioni prima di utilizzare questo dispositivo di salvataggio/accesso a spazi confinati. IL MANCATO RISPETTO DELLE ISTRUZIONI PUÒ CAUSARE GRAVI LESIONI PERSONALI O MORTE.

Fornire le presenti istruzioni all'utente dell'attrezzatura. Conservare queste istruzioni come riferimento in futuro.

Uso previsto:

Questo dispositivo di salvataggio/accesso a spazi confinati deve essere utilizzato come parte di un sistema di salvataggio o protezione anticaduta personale completo.

L'utilizzo per qualsiasi altra applicazione incluse, ma non solo, applicazioni di manipolazione di materiale non approvate, attività correlate ricreative o sportive oppure altre attività non descritte nelle istruzioni per l'utente o nelle istruzioni di installazione, non è approvato da 3M e può causare gravi lesioni personali o morte.

Il presente dispositivo deve essere utilizzato esclusivamente da utenti addestrati nelle applicazioni relative all'ambito di lavoro.



AVVERTENZA

Questo dispositivo di salvataggio/accesso a spazi confinati fa parte di un sistema di salvataggio o protezione anticaduta personale. Si prevede, pertanto, che tutti gli utenti siano completamente addestrati all'installazione e all'utilizzo sicuri del sistema completo. **L'uso improprio del presente dispositivo può comportare gravi lesioni personali o morte.** Per le modalità corrette di selezione, funzionamento, installazione, manutenzione e assistenza, consultare tutte le istruzioni del prodotto e tutte le raccomandazioni fornite dal produttore; altrimenti rivolgersi al proprio supervisore o contattare l'assistenza tecnica di 3M.

- **Per ridurre i rischi associati all'utilizzo di un dispositivo di salvataggio/accesso a spazi confinati che, se non evitati, potrebbero causare gravi lesioni personali o morte:**
 - Ispezionare il dispositivo prima di ogni uso, almeno una volta all'anno, e dopo qualsiasi evento di caduta. Le ispezioni devono essere eseguite conformemente a quanto indicato nelle istruzioni per l'utente.
 - Se, a seguito dell'ispezione, viene individuata una condizione di non sicurezza o difetto, dismettere il dispositivo e ripararlo o sostituirlo secondo le istruzioni per l'utente.
 - Ogni dispositivo che è stato sottoposto all'arresto caduta o a una forza d'impatto deve essere immediatamente rimosso dal servizio. Fare riferimento alle istruzioni per l'utente o contattare la protezione anticaduta di 3M.
 - Il dispositivo deve essere installato esclusivamente nella maniera indicata nel dettaglio nelle istruzioni di installazione o nelle istruzioni per l'utente. Installazioni e usi che fuoriescono dall'ambito delle istruzioni devono essere approvati per iscritto dalla protezione anticaduta di 3M.
 - Il substrato o la struttura a cui è attaccato il dispositivo deve essere in grado di sostenere i carichi statici specificati per il dispositivo con gli orientamenti consentiti nelle istruzioni per l'utente o nelle istruzioni di installazione.
 - Non superare il numero di utenti consentiti.
 - Non lavorare mai sotto un operatore o un carico sospeso.
 - Fare attenzione quando si installa, si utilizza o si muove il dispositivo, poiché alcune parti mobili potrebbero creare potenziali punti di impiglio. Consultare le istruzioni per l'utente.
 - Assicurarsi che le procedure di lock-out/tag-out siano state rispettate per quanto applicabile.
 - Non attaccare mai un sistema finché non è stato posizionato, assemblato completamente, regolato e installato. Non regolare il sistema quando è attaccato a un utente.
 - Collegare solo i sottosistemi di protezione anticaduta al punto di collegamento dell'ancoraggio designato sul dispositivo.
 - Prima di eseguire una perforazione o un fissaggio, assicurarsi che non ci siano linee elettriche, del gas o altri sistemi incorporati critici con cui il trapano o il dispositivo possa venire in contatto.
 - Assicurarsi che i sistemi/sottosistemi di protezione anticaduta assemblati con componenti realizzati da produttori diversi siano compatibili e soddisfino i requisiti degli standard applicabili, inclusi ANSI Z359 o altri codici, standard o requisiti relativi alla protezione anticaduta pertinenti. Consultare sempre una persona competente o qualificata prima di utilizzare questi sistemi.
- **Per ridurre i rischi associati al lavoro in altezza che, se non evitati, potrebbero causare gravi lesioni personali o morte:**
 - Assicurarsi che le proprie condizioni fisiche e di salute permettano una resistenza in completa sicurezza a tutte le forze associate al lavoro in altezza. Consultare il proprio medico in caso di domande relative alla propria capacità d'uso di questa attrezzatura.
 - Non superare mai la capacità consentita della propria attrezzatura di protezione anticaduta.
 - Non superare mai la distanza massima di caduta libera della propria attrezzatura di protezione anticaduta.
 - Non utilizzare mai un'attrezzatura di protezione anticaduta che non abbia superato l'ispezione prima dell'uso o altri controlli programmati oppure in caso di dubbi sull'uso o sull'idoneità dell'attrezzatura in merito all'applicazione. Per eventuali domande, contattare l'assistenza tecnica di 3M.
 - Alcune combinazioni di sottosistemi e componenti potrebbero compromettere il funzionamento di questa attrezzatura. Utilizzare solo collegamenti compatibili. Consultare 3M prima di utilizzare questa attrezzatura in combinazione con componenti o sottosistemi diversi da quelli descritti nelle presenti istruzioni per l'utente.
 - Prestare particolare attenzione in presenza di macchinari in movimento (ad es., il top drive delle torri di perforazione), rischi di carattere elettrico, temperature estreme, rischi di carattere chimico, gas esplosivi o tossici, bordi taglienti oppure al di sotto di materiali sospesi che potrebbero cadere sull'utente o sulla attrezzatura di protezione anticaduta.
 - Utilizzare dispositivi Arc Flash o Hot Works quando si lavora in ambienti che presentano temperature elevate.
 - Evitare superfici e oggetti che possano danneggiare l'utente o l'attrezzatura.
 - Durante il lavoro in altezza assicurarsi che ci sia un tirante d'aria di caduta adeguato.
 - Non modificare o alterare mai la propria attrezzatura di protezione anticaduta. Solo 3M o centri con autorizzazione scritta di 3M possono procedere alla riparazione dell'attrezzatura.
 - Prima di utilizzare l'attrezzatura di protezione anticaduta, assicurarsi che esista un piano di salvataggio che permetta un salvataggio immediato nel caso in cui si verifichi un incidente.
 - In caso di incidente, fare in modo che il lavoratore caduto sia sottoposto immediatamente alle cure di un medico.
 - Non utilizzare una cintura in vita per applicazioni di arresto caduta. Utilizzare esclusivamente un'imbracatura integrale.
 - Ridurre al minimo le cadute con pendolo lavorando il più possibile direttamente sotto il punto di ancoraggio.
 - Durante la formazione con questo dispositivo, deve essere utilizzato un sistema di protezione anticaduta secondario in modo da non esporre l'utente a un pericolo di caduta involontario.
 - Quando si installa, utilizza o ispeziona il dispositivo/sistema, indossare sempre i dispositivi di protezione individuale idonei.

Prima di installare e utilizzare l'attrezzatura, registrare le informazioni di identificazione del prodotto dall'etichetta identificativa nel Registro di ispezione e manutenzione (tabella 2) che si trova sul retro del presente manuale.

DESCRIZIONE ARTICOLO:

la Figura 1 illustra la base a tre pezzi della gru ad alta capacità con accesso a spazi confinati/salvataggio ad alta capacità 3M™ DBI-SALA®. La base a tre pezzi della gru ad alta capacità va montata su una superficie orizzontale e alloggiare l'albero di una Base 3M DBI-SALA con Accesso a spazi confinati/Salvataggio HC compatibile.

La Figura 2 illustra i componenti della base della gru ad alta capacità specificati nella Tabella 1. La base a tre pezzi della gru ad alta capacità è composta di una Sezione centrale (H) con un Manicotto integrato (A), con Connettori a cosciale regolabile (E) su ciascun lato che sono bloccati all'ampiezza desiderata tramite dei Perni di arresto (C) e Viti a manopola (B). Gli assemblaggi cosciali (D) sono collegati ai Connettori cosciali (E) tramite Perni di aggancio (I) e possono essere regolati in altezza tramite i Piedini regolabili (F), utilizzando le Maniglie di regolazione (G).

Tabella 1 - Specifiche

Specifiche della base della gru:	
Dimensioni	Vedere la Figura 1 per conoscere le dimensioni della base della gru
Peso della base della gru	8000104 37,5 kg (82,7 libbre) 8000105 50,5 kg (111,3 libbre)
Compatibilità	Le basi della gru descritte nelle presenti istruzioni sono compatibili con i Sistemi gru a portata ampia o ridotta ad alta capacità (AC) 3M™ DBI-SALA®.
Carico verticale per struttura:	13,8 Kn (3.100 libbre)

Specifiche dei componenti:		
Figura di riferimento 2	Componente	Materiali
(A)	Manicotto della gru	Alluminio con polietilene ad alta densità
(B)	Viti a manopola	Zincate e ricoperte in polvere d'acciaio
(C)	Perni di arresto	Acciaio zincato
(D)	Gruppi delle gambe	Alluminio e acciaio zincato
(E)	Connettori cosciali	Alluminio
(F)	Piedini regolabili	Acciaio zincato
(G)	Maniglie di regolazione	Acciaio zincato
(H)	Sezione centrale	Alluminio
(I)	Perni di aggancio	Acciaio zincato
(J)	Livella a bolla	

Peso sostenibile:	
Capacità di gestione del materiale	205 kg (452 libbre)

1.0 APPLICAZIONE DELL'ARTICOLO

- 1.1 FINALITÀ:** le basi delle gru sono punti di montaggio progettati per Sistemi gru compatibili 3M. Per informazioni sull'uso e le funzionalità del sistema, vedere le istruzioni del Sistema gru in questione.
- 1.2 STANDARD:** questa base gru è conforme agli standard nazionali o regionali segnalati sulla copertina di queste istruzioni. Se il prodotto viene rivenduto al di fuori del Paese di destinazione originario, il rivenditore dovrà fornire le presenti istruzioni nella lingua del Paese in cui dovrà essere utilizzato il prodotto.
- 1.3 INSTALLAZIONE E SUPERVISIONE:** l'installazione della base della gru deve essere supervisionata da una Persona competente¹. Una Persona qualificata² deve verificare che le caratteristiche strutturali dell'installazione siano conformi alle normative locali e federali. Una Persona qualificata deve consigliare dispositivi di fissaggio adatti e la collocazione corretta della base della gru. L'impiego della gru e della relativa attrezzatura di protezione anticaduta deve essere supervisionato da una Persona competente.
- 1.4 DOCUMENTAZIONE DI CANTIERE:** in seguito all'assemblaggio e all'installazione della base della gru, l'installatore deve compilare la Documentazione sull'installazione in conformità ai requisiti informativi della norma EN795, Allegato A, e consegnarla al rappresentante designato dall'utente. La Documentazione sull'installazione deve essere conservata presso la sede di lavoro per consentire di esaminarla in seguito.
- 1.5 FORMAZIONE:** l'attrezzatura deve essere installata e utilizzata da personale qualificato. Questo manuale può essere utilizzato nell'ambito di un programma di formazione dei dipendenti e/o per fini legati ai regolamenti regionali. È responsabilità dell'utente e dell'installatore dell'attrezzatura assicurarsi di avere dimestichezza con queste istruzioni e di conoscere correttamente le procedure di uso e manutenzione, di essere consapevoli delle caratteristiche di funzionamento, dei limiti di applicazione e delle conseguenze di un uso improprio.
- 1.6 PIANO DI SALVATAGGIO:** durante l'utilizzo della gru e dell'attrezzatura di protezione anticaduta, il datore di lavoro deve disporre di un piano di salvataggio, nonché dei mezzi per implementarlo. Inoltre, deve comunicare tale piano agli utenti. Si consiglia la presenza in loco di una squadra di soccorso addestrata. I membri della squadra devono conoscere le tecniche e disporre delle attrezzature necessarie per un soccorso efficace. La formazione deve essere fornita periodicamente per garantire la competenza dei soccorritori.
- 1.7 FREQUENZA DELLE ISPEZIONI:** la base della gru deve essere ispezionata dall'utente prima di ciascun utilizzo e da una persona competente diversa dall'utente, almeno una volta l'anno.³ Le procedure d'ispezione sono descritte nel "Registro di ispezione e manutenzione". I risultati di ciascuna ispezione della persona competente devono essere registrati in copie del "Registro di ispezione e manutenzione".

2.0 REQUISITI DI SISTEMA

- 2.1 SISTEMI DI ANCORAGGIO E FISSAGGI:** le strutture e, ove pertinente, i dispositivi di fissaggio impiegati per bloccare la base della gru devono soddisfare i "Requisiti di montaggio" indicati nella Tabella 1.
- 2.1 COMPATIBILITÀ DEI COMPONENTI:** l'attrezzatura 3M è progettata solo per l'utilizzo con altri componenti e sottosistemi approvati da 3M. Eventuali sostituzioni con componenti o sottosistemi non approvati potrebbero compromettere la compatibilità delle apparecchiature e la sicurezza, nonché l'affidabilità di tutto il sistema.
- 2.2 SISTEMA DI PROTEZIONE ANTICADUTA:** i sistemi di protezione anticaduta utilizzati con questo sistema devono soddisfare gli standard, i codici e i requisiti applicabili di protezione anticaduta. Il sistema di protezione anticaduta deve utilizzare un'imbracatura integrale e limitare la forza di arresto ai valori seguenti:

	Forza di arresto massima	Caduta libera
Sistema di protezione anticaduta con cordino assorbitore di energia	6 kN (1350 libbre)	Fare riferimento alle istruzioni incluse con cordino o SRD per le limitazioni di caduta libera.
Sistemi di protezione anticaduta con dispositivo autoretrattile (SRD)	6 kN (1350 libbre)	

- 2.3 PERICOLI:** l'utilizzo dell'attrezzatura in aree con rischi ambientali può richiedere ulteriori precauzioni per prevenire lesioni all'utente o danneggiamenti all'attrezzatura. Per informazioni su pericoli specifici che possono compromettere l'uso del sistema, vedere le istruzioni del montante della gru 3M.

¹ **Persona competente:** persona in grado di individuare i rischi esistenti e prevedibili nell'ambiente circostante o condizioni di lavoro malsane, rischiose o pericolose per i dipendenti, autorizzata a prendere immediati provvedimenti per porvi rimedio.

² **Persona qualificata:** persona con un diploma o un certificato professionale riconosciuto e un'esperienza approfondita nel campo della protezione anticaduta. Questa persona deve essere in grado di progettare, analizzare, valutare e specificare i dati della protezione anticaduta.

³ **Frequenza delle ispezioni:** condizioni di lavoro estreme (ambienti proibitivi, uso prolungato e così via) possono richiedere un incremento nella frequenza delle ispezioni da parte della persona competente.

3.0 ASSEMBLAGGIO

3.1 PIANIFICAZIONE: pianificare il proprio sistema di protezione anticaduta prima dell'installazione della base a tre pezzi della gru ad alta capacità. Considerare tutti i fattori che possono influire sulla propria sicurezza prima, durante e dopo una caduta. Considerare tutti i requisiti definiti nella Sezione 2 e Tabella 1 per determinare i dispositivi di fissaggio corretti e la collocazione per il montaggio della base a tre pezzi della gru ad alta capacità sulla struttura d'ancoraggio.

- **Ancoraggio:** la struttura di ancoraggio su cui viene montata la base a tre pezzi della gru ad alta capacità deve soddisfare i requisiti per il carico di ancoraggio specificati nella Sezione 2 e i requisiti di carico verticale nella Tabella 1.

3.2 ASSEMBLAGGIO DELLA BASE A TRE PEZZI DELLA GRU AD ALTA CAPACITÀ: la figura 5 mostra l'installazione della base a tre pezzi della gru ad alta capacità. Montare la base a tre pezzi della gru ad alta capacità su una superficie orizzontale che soddisfi i requisiti di resistenza indicati nella Tabella 1, ad esempio su una struttura di cemento o acciaio:

1. Inserire le Connessioni cosciali (E) nella Sezione centrale (H).
2. Piazzare il sistema sul pavimento nell'area approssimativa che si intende utilizzare, eliminando tutti i potenziali pericoli di caduta.
3. Con l'Assemblaggio cosciale (D) perpendicolare alla Sezione centrale (H), mantenere l'Assemblaggio cosciale in posizione verticale e sollevare la Connessione cosciale (E) posizionandola al di sopra dell'Assemblaggio cosciale (D), utilizzando le linguette sui cosciali per guidare la connessione terminale al posto corretto.
4. Inserire i Perni di aggancio (I) collegando l'Assemblaggio cosciale (D) alla Connessione cosciale (E), e assicurarlo utilizzando il cardine collegato.
5. Ripetere l'operazione per il cosciale del lato opposto.
6. Regolare l'assemblaggio della base all'ampiezza desiderata e inserire i Perni di arresto (C) interamente attraverso la Sezione centrale (H), assicurando le Connessioni cosciali (E). Stringere le Tri-viti (B) sul retro della Sezione centrale (H).
7. Regolare i Piedini di livello (F) per mettere a livello l'Assemblaggio della base, utilizzando la Livella a bolla (J) in dotazione per assicurarsi che la bolla sia all'interno del cerchio di riferimento.

Verificare che tutti i Perni siano completamente inseriti e posizionare i cardini al loro posto prima dell'utilizzo. Vedere Figura 4.

4.0 USO

4.1 PRIMA DI OGNI USO: verificare che la propria area di lavoro e il sistema di protezione anticaduta soddisfino tutti i criteri definiti nella Sezione 2 e che sia messo in atto un piano formale di salvataggio. Ispezionare la base a tre pezzi della gru ad alta capacità secondo i punti di ispezione "Utente" indicati nel "Registro di ispezione e manutenzione" (tabella 2). Non utilizzare il sistema se l'ispezione rivela una condizione pericolosa o difettosa. Ritirare il sistema dal servizio e distruggerlo o contattare 3M per un'eventuale riparazione o sostituzione.

4.2 AREA DI LAVORO: la base a tre pezzi della gru ad alta capacità 3M va utilizzata esclusivamente nell'area di lavoro permessa, tra i lati più lunghi degli assemblaggi cosciali. Vedere Figura 3.

Area di lavoro: Il sistema può diventare instabile se utilizzato al di fuori dell'Area di lavoro sicura della Figura 3.

5.0 ISPEZIONE

5.1 FREQUENZA DELLE ISPEZIONI: la base a tre pezzi della gru ad alta capacità deve essere ispezionata secondo gli intervalli di tempo definiti nella sezione 1. Le procedure d'ispezione sono descritte nel "Registro di ispezione e manutenzione" (tabella 2). Ispezionare tutti gli altri componenti del Sistema protezione anticaduta per le frequenze e le procedure definite nelle istruzioni del produttore.

5.2 DIFETTI: qualora l'ispezione riveli una condizione pericolosa o difettosa, rimuovere immediatamente la base a tre pezzi della gru ad alta capacità dal servizio e contattare 3M per un'eventuale sostituzione o riparazione. Non cercare di riparare il sistema d'arresto caduta.

Solo riparazioni autorizzate: Solo 3M o centri con autorizzazione scritta possono procedere alla riparazione di questa attrezzatura.

5.3 VITA DEL PRODOTTO: la durata operativa del sistema d'arresto caduta dipende dalle condizioni di lavoro e dalla manutenzione. L'articolo può rimanere in servizio finché è in grado di soddisfare i criteri di ispezione.

6.0 MANUTENZIONE, ASSISTENZA E STOCCAGGIO

6.1 PULIZIA: pulire regolarmente i componenti metallici della base a tre pezzi della gru ad alta capacità con una spazzola morbida, acqua calda e un detergente neutro. Accertarsi che le parti siano completamente risciacquate con acqua pulita.

6.2 ASSISTENZA: solo 3M o centri con autorizzazione scritta da parte di 3M possono procedere alla riparazione di questa attrezzatura. Se la base a tre pezzi della gru ad alta capacità è stata sottoposta a forza di caduta o in seguito a un'ispezione viene individuata una condizione di non sicurezza o difetto, ritirare immediatamente il sistema dal servizio e contattare 3M per un'eventuale riparazione o sostituzione.

6.3 CONSERVAZIONE E TRASPORTO: quando non viene utilizzata, conservare e trasportare la base a tre pezzi della gru ad alta capacità e la relativa attrezzatura di protezione anticaduta in un ambiente fresco, asciutto e pulito, lontano da luce solare diretta. Evitare zone con vapori chimici. Dopo un lungo periodo di inutilizzo, ispezionare attentamente i componenti.

7.0 ETICHETTE

La Figura 6 illustra le etichette sulla base a tre pezzi della gru ad alta capacità. Sostituire le etichette se non sono completamente leggibili. Su ogni etichetta sono presenti le informazioni seguenti:


	Leggere tutte le istruzioni.
①	A) Produzione (Anno, Mese) B) Numero modello C) Numero di serie
②	Area di lavoro protetta.
③	Avvertenze sui perni di attacco
④	Certificazione norme CE
⑤	Certificazione norme AS/NZS
⑥	EN1496:2006 Classe B
⑦	8000104 Massimo sbraccio del braccio della gru, Sistema di protezione anticaduta (PFAS), Capacità di gestione del materiale
⑦	8000105 Massimo sbraccio del braccio della gru, Sistema di protezione anticaduta (PFAS), Capacità di gestione del materiale

Tabella 3 - Registro di ispezione e manutenzione

Data di ispezione:		Ispezionato da:	
Componenti:	Ispezione: (vedere la Sezione 1 per la <i>Frequenza delle ispezioni</i>)	Utente	Persona competente ¹
Base a tre pezzi della gru ad alta capacità (Figura 2)	Verificare che la base a tre pezzi della gru ad alta capacità non presenti incrinature, ammaccature o deformità.	<input type="checkbox"/>	<input type="checkbox"/>
	Verificare che l'intera unità non presenti eccessiva corrosione.	<input type="checkbox"/>	<input type="checkbox"/>
	Assicurarsi che i perni di aggancio e di arresto siano completamente inseriti e assicurati tramite i cardini se appropriato.	<input type="checkbox"/>	<input type="checkbox"/>
Etichette Figura 7	Verificare che tutte le etichette siano saldamente attaccate e leggibili (vedere la sezione "Etichette").	<input type="checkbox"/>	<input type="checkbox"/>
Sistemi di protezione anticaduta e altra attrezzatura	Le apparecchiature aggiuntive del sistema di protezione anticaduta (imbracatura, dispositivo anticaduta retrattile, ecc.) utilizzate insieme alla base a tre pezzi della gru ad alta capacità devono essere installate e ispezionate conformemente alle istruzioni del produttore.	<input type="checkbox"/>	<input type="checkbox"/>
Numeri di serie:		Data di acquisto:	
Numero modello:		Data del primo utilizzo:	
Azione correttiva/Manutenzione:		Approvato da:	
		Data:	
Azione correttiva/Manutenzione:		Approvato da:	
		Data:	
Azione correttiva/Manutenzione:		Approvato da:	
		Data:	
Azione correttiva/Manutenzione:		Approvato da:	
		Data:	
Azione correttiva/Manutenzione:		Approvato da:	
		Data:	
Azione correttiva/Manutenzione:		Approvato da:	
		Data:	
Azione correttiva/Manutenzione:		Approvato da:	
		Data:	
Azione correttiva/Manutenzione:		Approvato da:	
		Data:	
Azione correttiva/Manutenzione:		Approvato da:	
		Data:	
Azione correttiva/Manutenzione:		Approvato da:	
		Data:	

¹ **Persona competente:** persona in grado di individuare i rischi esistenti e prevedibili nell'ambiente circostante o condizioni di lavoro malsane, rischiose o pericolose per i dipendenti, autorizzata a prendere immediati provvedimenti per porvi rimedio.

Prieš naudodamiesi patekimo į uždaras erdves / gelbėjimo įtaisais perskaitykite, supraskite visą šioje instrukcijoje pateiktą saugos informaciją ir laikykitės pateiktų nurodymų. **TO NEPADARIUS GALIMA SUNKIAI SUSIŽALOTI ARBA ŽŪTI.**

Ši instrukcija turi būti pateikta šios įrangos naudotojui. Išsaugokite šią instrukciją, jeigu ateityje jos prireiktų.

Numatytoji paskirtis

Šis patekimo į uždaras erdves / gelbėjimo įtaisas yra asmeninės apsaugos nuo kritimo sistemos dalis.

„3M“ nėra patvirtinusi jokios kitos paskirties, įskaitant nepatvirtintų medžiagų tvarkymą, poilsinę arba sportinę veiklą ar bet kokią kitą šioje naudotojo instrukcijoje neaprašytą ir veiklą; naudojantis šiuo įtaisu galima sunkiai susižaloti arba žūti.

Šiuo įtaisu gali naudotis tik parengti darbuotojai darbo reikmėms.

ĮSPĖJIMAS

Šis patekimo į uždaras erdves / gelbėjimo įtaisas yra asmeninės apsaugos nuo kritimo sistemos dalis. Tikimasi, kad visi naudotojai bus reikiamai išmokyti, kaip saugiai parengti ir naudoti visa apsaugos nuo kritimo sistema. **Netinkamai naudojantis šiuo įtaisu galima sunkiai susižaloti arba žūti.** Kaip tinkamai pasirinkti, naudoti, parengti, prižiūrėti ir remontuoti, skaitykite visą gaminio instrukciją ir visas gamintojo rekomendacijas, kreipkitės į savo viršininką arba „3M“ techninę tarnybą.

- **Kaip sumažinti riziką, kuri gali kilti dirbant su patekimo į uždaras erdves / gelbėjimo įtaisu, kurios neišvengus galima sunkiai susižaloti arba žūti.**
 - Prieš kiekvieną naudojimą, bent kartą per metus ir nukritus įtaisui, patikrinkite jį. Tikrinkite vadovaudamiesi naudotojo instrukcija.
 - Jeigu patikrinus aptinkama nesaugi būklė ar defektų, nustokite naudoti įtaisą ir pataisykite arba pakeiskite pagal naudotojo instrukciją.
 - Bet kokių įtaisų, kurių paveikė kritimo stabdymo arba smūgio jėga, privaloma nedelsiant nustoti naudoti. Skaitykite naudoto instrukciją arba susisiekite su „3M“ konsultantais.
 - Įtaisą privaloma montuoti taip, kaip tai aprašyta montavimo arba naudotojo instrukcijoje. Montuoti arba naudoti įtaisą kitaip, nei numatyta instrukcijoje, galima tik tam gavus raštišką „3M“ patvirtinimą.
 - Pagrindas arba konstrukcija, kuriuose tvirtinsite įtaisą, turi būti pakankamai tvirti, kad išlaikytų įtaisui numatytas statines apkrovas, veikiančias jį naudotojo arba montavimo instrukcijoje leidžiamomis kryptimis.
 - Neviršykite leistino naudotojų skaičiaus.
 - Niekada nedirbkite po kabančiu krovinium arba darbuotoju.
 - Montuodami, naudodami ar perkeldami įtaisą būkite atsargūs – judančios įtaiso dalys gali prispausti. Laikykitės naudotojo instrukcijoje pateiktų nurodymų.
 - Pasirūpinkite, kad visos blokavimo / žymėjimo procedūros būtų deramai vykdomos.
 - Naudokitės sistema tik tada, kai visiškai surinkta, sureguliuota ir sumontuota. Nereguliuokite sistemos, kol kas nors ja naudojasi.
 - Apsaugos nuo kritimo posistemes junkite tik prie joms skirtų įtaiso tvirtinimo vietų.
 - Prieš pradėdami gręžimo arba tvirtinimo darbus pasirūpinkite, kad nekiltų pavojus pažeisti elektros laidų, dujų vamzdžių ar kitų kritinių integruotų sistemų.
 - Įsitikinkite, kad apsaugos nuo kritimo sistemos ir posistemės, surinktos iš skirtingų gamintojų komponentų, būtų suderinamos ir atitiktų taikomų standartų reikalavimus, įskaitant ANSI Z359 ar kitas taikomas apsaugos nuo kritimo normas, standartus arba reikalavimus. Prieš naudodamiesi šiomis sistemomis visada pasitarkite su kompetentingu arba kvalifikuotu asmeniu.
- **Kaip sumažinti dirbant dideliame aukštyje galinčią kilti riziką, kurios neišvengus galima sunkiai susižaloti arba žūti.**
 - Būkite tikri, kad dėl savo sveikatos ir fizinės būklės galėsite saugiai atlaikyti visas su darbu dideliame aukštyje susijusias jėgas. Jeigu turite kokių nors klausimų dėl savo gebėjimo naudotis šia įranga, pasitarkite su gydytoju.
 - Niekada neviršykite savo apsaugos nuo kritimo įrangos leidžiamos laikomosios galios.
 - Niekada neviršykite savo apsaugos nuo kritimo įrangos maksimalaus laisvojo kritimo atstumo.
 - Niekada nesinaudokite apsaugos nuo kritimo įranga, kuri nepereina prieš naudojimą atliekamos ar kurios nors kitos planinės patikros, arba jeigu turite nuogastavimų dėl įrangos naudojimo ar tinkamumo norimai paskirčiai. Visais klausimais kreipkitės į „3M“ technines tarnybas.
 - Kai kurie posistemų ir komponentų deriniai gali mažinti šios įrangos funkcionalumą. Naudokite tik suderinamas jungtis. Jeigu norite naudoti šią įrangą su kitais nei šiose naudotojo instrukcijoje aprašytais komponentais ar posistemėmis, pasitarkite su „3M“.
 - Dirbdami šalia judančių mašinų (pvz., naftos bokšto viršutinės pavaros), kuriose yra elektros pavojų, kraštutinėje temperatūroje, esant cheminių pavojų, sprogių ar nuodingų dujų, prie aštrių briaunų ar po kabančiomis medžiagomis, kurios gali nukristi ant Jūsų ar apsaugos nuo kritimo įrangos, būkite ypač atsargūs.
 - Dirbdami aukštos temperatūros aplinkoje naudokite kategorijos „Arc Flash“ arba „Hot Works“ įtaisus.
 - Venkite paviršių ir daiktų, kurie gali pakenkti naudotojui arba įrangai.
 - Dirbdami dideliame aukštyje pasirūpinkite, kad būtų pakankamas laisvasis kritimo aukštis.
 - Niekada nemodifikuokite ir nekeiskite savo apsaugos nuo kritimo įrangos. Šią įrangą gali taisyti tik „3M“ arba jos raštu įgalioti subjektai.
 - Prieš naudodamiesi apsaugos nuo kritimo įranga pasirūpinkite, kad būtų parengtas gelbėjimo planas, pagal kurį būtų galima greitai išgelbėti, jei įvyktų kritimo incidentas.
 - Įvykus kritimo incidentui nedelsdami pasirūpinkite nukritusio darbuotojo medicinine apžiūra.
 - Kritimo stabdymo sistemoms nenaudokite kūno diržo. Naudokite tik su viso kūno apraišomis.
 - Išvenkite supamojo kritimo galimybės dirbdami kiek galima tiesiau po inkaravimo vieta.
 - Jeigu mokomasi naudotis šiuo įtaisu, antroji apsaugos nuo kritimo sistema turi būti naudojama taip, kad nekeltų besimokančiajam nenumatyto kritimo pavojaus.
 - Parengdami, naudodamiesi arba tikrindami įtaisą ar sistemą visuomet naudokite atitinkamas asmenines apsaugos priemones.

Prieš parengdami šią įrangą ir ją naudodamiesi, įrašykite gaminio identifikacijos informaciją iš ID etiketės į šios instrukcijos gale esantį „Tikrinimo ir priežiūros žurnalą“ (3 lentelė).

GAMINIO APRAŠYMAS

Pav. 1 parodytas didelės galios (HC) trijų dalių 3M™ DBI-SALA® patekimo į uždara erdvę / gelbėjimo keltuvo pagrindas. Didelės galios trijų dalių keltuvo pagrindą surinkite ant horizontalaus paviršiaus ir jame sumontuokite stiebą, atitinkantį didelės galios 3M DBI-SALA patekimo į uždara erdvę / gelbėjimo keltuva.

2 paveiksle pavaizduoti 1 lentelėje nurodyti didelės galios trijų dalių keltuvo pagrindo elementai. Didelės galios trijų dalių keltuvo pagrindą sudaro centrinė sekcija (H) su integruota keltuvo mova (A), su slankiomis reguliuojamomis kojelių jungtimis (E), kurios kaiščiais su žiedais (C) ir „Tri-Screws“ varžtais (B) užfiksuojamos norimame plote. Kojelių elementai (D) tvirtinami prie kojelių jungčių (E) prikabinamais kaiščiais (I), jų reguliuojamas kojeles (F), naudojant reguliavimo rankenas (G), galima užfiksuoti norimame aukštyje.

1 lentelė. Specifikacijos

Davit Base Specifikacijos		
Gabaritai	Gabaritai nurodyti 1 pav. Davit Base	
Davit Base Svoris	8000104 37,5 kg (82,7 lbs)	8000105 50,5 kg (111,3 lbs)
Suderinamumas	Šie Davit Base instrukcijoje aprašyti gaminiai suderinami su 3M™ DBI-SALA® didelės galios (HC) trumpos eigos ir ilgos eigos keltuvų sistemomis.	
Minimalūs reikalavimai montavimo darbams		
Vertikali konstrukcijos apkrova	13,8 kN (3100 sv.)	
Elementų specifikacijos		
2 pav. Nuorodos	Elementas	Medžiagos
Ⓐ	Keltuvo mova	Aliuminis su didelio tankio polietilenu
Ⓑ	„Tri-Screw“ varžtai	Cinkuotas milteliniais dažais dengtas plienas
Ⓒ	Kaiščiai su žiedu	Cinkuotas plienas
Ⓓ	Kojelių elementai	Aliuminis ir cinkuotas plienas
Ⓔ	Kojelių jungtys	Aliuminis
Ⓕ	Reguliuojamos kojeles	Cinkuotas plienas
Ⓖ	Reguliuojamos rankenėlės	Cinkuotas plienas
Ⓗ	Centrinis segmentas	Aliuminis
Ⓘ	Prikabinimo kaiščiai	Cinkuotas plienas
Ⓙ	Gulsčiukas	
Laikomoji galia		
Medžiagų keliamoji galia	205 kg (452 sv.)	

1.0 GAMINIO NAUDOJIMAS

- 1.1 PASKIRTIS.** Keltuvo pagrindai yra suderinamoms „3M“ keltuvo sistemoms skirti tvirtinimo elementai. Apie sistemos naudojimą ir funkcionalumą žr. atitinkamos keltuvo sistemos instrukcijoje.
- 1.2 STANDARTAI.** Keltuvo pagrindas atitinka šios instrukcijos viršelyje nurodytus šalies arba regiono standartus. Jeigu šis gaminys perparduodamas ne toje šalyje, kuriai yra skirtas, perpardavėjas turi pateikti šią instrukciją tos šalies, kurioje gaminys bus naudojamas, valstybine kalba.
- 1.3 ĮRENGIMAS IR PRIEŽIŪRA.** Keltuvo pagrindą gali įrengti tik kompetentingas asmuo¹. Kvalifikuotas asmuo² privalo pasirūpinti, kad konstrukcijos įrengimas atitiktų šalies normas. Kvalifikuotas asmuo privalo rekomenduoti tinkamas tvirtinimo detales ir tinkamą keltuvo pagrindo vietą. Keltuvo ir pritvirtintos apsaugos nuo kritimo įrangos naudojimą privalo prižiūrėti kvalifikuotas asmuo.
- 1.4 DARBO VIETOS DOKUMENTAI.** Keltuvo pagrindą surinkęs ir įrengęs įrengėjas privalo užpildyti ir perduoti naudotojo paskirtam atstovui įrengimo dokumentus, kurie atitinka EN 795 A priedo reikalavimus. Įrengimo dokumentai turi būti laikomi darbų vykdymo vietoje, kad būtų galima pasinaudoti vėliau tikrinant sistemą.
- 1.5 MOKYMAI.** Šią įrangą turi įrengti ir naudoti asmenys, kurie yra parengti ja tinkamai naudotis. Šia instrukcija galima įtraukti į darbuotojų mokymų programą ir (arba) šalies normas. Šios įrangos naudotojams ir įrengėjams tenka atsakomybė pasirūpinti susipažinti su šiais nurodymais, pasirengti tinkamai prižiūrėti šią įrangą ir ja naudotis, žinoti jos naudojimo charakteristikas, taikymo apribojimus ir netinkamo jos naudojimo pasekmes.
- 1.6 GELBĖJIMO PLANAS.** Naudodamas šią keltuvo įrangą ir apsaugos nuo kritimo sistemą darbdavys turi turėti gelbėjimo planą bei parengtas priemones jam įgyvendinti ir supažindinti su šiuo planu naudotojus. Rekomenduojama turėti vietoje esančią parengtą gelbėjimo grupę. Grupės nariams turi būti suteikta įranga ir nurodyta sėkmingo gelbėjimo metodika. Periodiškai turi būti vykdomi mokymai, kad gelbėtojai išlaikytų įgūdžius.
- 1.7 TIKRINIMO DAŽNUMAS.** Keltuvo pagrindo patikrinimą kiekvieną kartą prieš ją naudojant turi atlikti naudotojas ir papildomai, ne rečiau kaip kartą per metus – nepriklausomas kompetentingas asmuo.³ Tikrinimo procedūros aprašytos „Tikrinimo ir techninės priežiūros žurnale“. Kiekvieno kompetentingo asmens atlikto patikrinimo rezultatai turi būti užregistruoti „Tikrinimo ir priežiūros žurnale“.

2.0 SISTEMAI KELIAMI REIKALAVIMAI

- 2.1 INKARAVIMAS IR TVIRTINIMO.** detalės Bet kokia konstrukcija ir tvirtinimo detalės (jeigu tvirtinimo detalės reikalingos), naudojamos keltuvo pagrindui tvirtinti, turi atitikti 1 lentelėje nurodytus „Montavimo reikalavimus“.
- 2.1 KOMPONENTŲ SUDERINAMUMAS.** „3M“ įranga yra skirta naudoti tik su „3M“ patvirtintais komponentais ir posistemėmis. Pakaitalai naudojant nepatvirtintus komponentus ar posistemas gali pakenkti įrangos suderinamumui ir sumažinti visos sistemos saugą ir patikimumą.
- 2.2 ASMENINĖ KRITIMO STABDYMO SISTEMA.** Su sistema naudojamos asmeninės kritimo stabdymo sistemos (AKSS) privalo atitikti galiojančius apsaugos nuo kritimo standartus, normas ir reikalavimus. AKSS turi turėti viso kūno apraišas ir apriboti stabdymo jėgą iki šių verčių:

	Maksimali stabdymo jėga	Laisvasis kritimas
AKSS su smūgį sugeriančiu kobiniu	6 kN (1 350 sv.)	Laisvojo kritimo apribojimus žr. kobiniui arba IĮ skirtose instrukcijose.
AKSS su įsitraukiančiuoju įtaisais (IĮ)	6 kN (1 350 sv.)	

- 2.3 PAVOJAI.** Naudojantis šia įranga pavojingos aplinkos vietose gali reikėti imtis papildomų atsargumo priemonių, kad būtų išvengta naudotojo su(si)žalojimo arba įrangos pažeidimo. Konkretūs pavojai, kurie gali turėti poveikį sistemos naudojimui, nurodyti „3M“ keltuvo stiebo instrukcijoje.

¹ **Kompetentingas asmuo.** Asmuo, kuris geba atpažinti esamus bei nuspėjamus veiksnius, susijusius su aplinka ar darbo sąlygomis, kurie kelia pavojų darbuotojams higienos, sveikatos ar saugos požiūriu, ir kuris yra įgaliotas nedelsiant imtis priemonių jiems pašalinti.

² **Kvalifikuotas asmuo.** Asmuo, turintis pripažintą laipsnį arba profesinį pažymėjimą ir didelę patirtį apsaugos nuo kritimo srityje. Šis asmuo turi gebėti projektuoti, analizuoti, vertinti ir specifiškai apsaugos nuo kritimo priemones.

³ **Tikrinimo dažnumas.** Sunkiomis darbo sąlygomis (nepalanki aplinka, ilgalaikis naudojimas ir kt.) kompetentingam asmeniui gali reikėti tikrinti dažniau.

3.0 MONTAŽAS

- 3.1 PLANAVIMAS.** Prieš įrengdami didelės laikomosios galios keltuvo pagrindą, suplanuokite savo apsaugos nuo kritimo sistemą. Atsižvelkite į visus veiksnius, kurie gali lemti saugą iki galimo kritimo, jo metu ir po to. Parinkdami tinkamus varžtus ir didelės laikomosios galios keltuvo pagrindo montavimo vietą inkaravimo konstrukcijoje, atsižvelkite į visus 2 skyriuje ir 1 lentelėje nustatytus reikalavimus.
- **Inkaravimas.** Inkaravimo konstrukcija, kurioje montuojamas didelės laikomosios galios keltuvo pagrindas, privalo atitikti 2 skyriuje nustatytus inkaravimo apkrovos reikalavimus ir 1 lentelėje nurodytus vertikaliosios apkrovos reikalavimus.
- 3.2 DIDELĖS LAIKOMOSIOS GALIOS KELTUVO PAGRINDO SURINKIMAS.** 5 paveikslėlyje parodytas didelės laikomosios galios keltuvo pagrindo montavimo procesas. Didelės laikomosios galios keltuvo pagrindą montuokite ant horizontalaus paviršiaus, kuris atitinka 1 lentelėje nurodytus reikalavimus, pavyzdžiui, ant betoninės ar plieninės konstrukcijos:
1. Įstatykite atramos sąsajas (E) į centrinę sekciją (H).
 2. Išdėstykite sistemą ant grindų apytikslėje zonoje, kurioje ketinate ją naudoti, siekiant pašalinti bet kokią galimą kritimo pavojų.
 3. Laikydami atramos sąranką (D) statmenai centrinei sekcijai (H), laikykite atramos sąranką stačiai ir pakelkite atramos sąsają (E) ant atramos sąrankos (D) pagal žymas ant atramų, kad galutinė sąsaja būtų nukreipta į savo vietą.
 4. Įstatykite pakabinimo kaiščius (I) pritvirtindami atramos sąranką (D) prie atramos sąsajos (E) ir užfiksuokite naudodami pridedamą stabdymo kaištį.
 5. Pakartokite su priešinga atrama.
 6. Nustatykite norimą bazinės sąrankos plotį ir įstatykite strektės kaiščius (C) per centrinę sekciją (H) užfiksuojant atramos sąrankas (E). Užveržkite „Tri-Screw“ varžtus (B) centrinės sekcijos (H) nugarėlėje.
 7. Nustatykite lygiavimo kojelę (F) į bazinės sąrankos lygį, naudodami pridedamą lygmatį (J) ir įsitikinkite, kad burbuliuokas yra atskaitos rato viduje.

Prieš naudodami patikrinkite, ar visi kaiščiai visiškai įstatyti ir turi fiksatorius. Žr. 4 pav.

4.0 NAUDOJIMAS

- 4.1 KIEKVIENĄ KARTĄ PRIEŠ NAUDOJANTIS.** Patikrinkite, ar darbo zona ir asmeninė kritimo stabdymo sistema (AKSS) atitinka visus 2 skyriuje nustatytus kriterijus ir ar yra parengtas oficialus gelbėjimo planas. Patikrinkite DLG keltuvo pagrindą laikydamiesi *naudotojui* skirtame „Tikrinimo ir priežiūros žurnale“ (3 lentelė). Jeigu patikrinus aptinkama nesaugi būklė ar defektų, sistema nesinaudokite. Nesinaudokite sistema ir kreipkitės į 3M dėl pakeitimo arba taisymo.
- 4.2 DARBO ZONA.** 3M DLG keltuvo pagrindas turi būti naudojamas tik leistinoje darbo zonoje tarp ilgiausių atramos sąrankų pusių. Žr. 3 pav.

Darbo zona: Už saugios darbo zonos ribų, nurodytų pav. 3, naudojama sistema gali tapti nestabili.

5.0 TIKRINIMAS

- 5.1 TIKRINIMO DAŽNUMAS.** DLG keltuvo pagrindą privaloma tikrinti 1 skyriuje nustatytu dažnumu. Patikros procedūros aprašytos „Tikrinimo ir priežiūros žurnale“ (3 lentelė). Visus kitus apsaugos nuo kritimo sistemos komponentus tikrinkite gamintojo instrukcijoje nurodytu dažnumu, laikydamiesi nustatytų procedūrų.
- 5.2 DEFEKTAI.** Jeigu patikrinus aptinkama nesaugi būklė ar defektų, nedelsdami nustokite naudotis didelės laikomosios galios keltuvo pagrindu ir kreipkitės į 3M dėl pakeitimo arba taisymo. Nebandykite taisyti kritimo stabdymo sistemos.

Remontą leidžiama vykdyti tik įgaliotiems asmenims: šią įrangą gali taisyti tik 3M atstovai arba jų raštu įgalioti asmenys.


- 5.3 GAMINIO EKSPLOATACIJOS.** Trukmė Kritimo stabdymo sistemos funkcinis naudojimo laikas priklauso nuo darbo sąlygų ir priežiūros. Jeigu gaminys atitinka patikros kriterijus, juo galima naudotis.

6.0 TECHNINĖ PRIEŽIŪRA, REMONTAS IR LAIKYMAS

- 6.1 VALYMAS.** Periodiškai valykite DLG keltuvo pagrindo metalines dalis švelniu šepetėliu, šiltu vandeniu ir minkštu muilo tirpalu. Dalis būtina stropiai nuplaukite švariu vandeniu.
- 6.2 REMONTAS.** Šią įrangą gali taisyti tik 3M specialistai arba 3M raštu įgalioti asmenys. Jeigu DLG keltuvo pagrindas yra paveiktas kritimo jėgos arba aptinkama nesaugi jo būklė ar defektai, sistema nebesinaudokite ir kreipkitės į 3M dėl pakeitimo arba taisymo.
- 6.3 LAIKYMAS IR TRANSPORTAVIMAS.** Nenaudojamą DLG keltuvo pagrindą ir susijusią apsaugos nuo kritimo įrangą laikykite ir transportuokite vėsioje, sausoje, švarioje aplinkoje, kur nėra tiesioginės saulės šviesos. Venkite vietų, kur galėtų būti cheminių medžiagų garų. Po ilgalaikio nenaudojimo stropiai patikrinkite komponentus.

7.0 ETIKETĖS

6 paveikslėlyje parodytos etiketės ant didelės laikomosios galios keltuvo pagrindo. Jeigu etiketės ne visiškai įskaitomos, jas būtina pakeisti. Kiekvienoje etiketėje pateikta tokia informacija

	Perskaitykite visą instrukciją.
1	A) Pagaminta (metai, mėnuo) B) Modelio numeris C) Serijos numeris
2	Saugaus darbo zona.
3	Kaiščio tvirtinimo įspėjimas
4	CE standartų sertifikatas
5	AS / NZS standartų sertifikatas
6	EN1496:2006 B klasė
7	8000104 Didžiausias keltuvo manipulatoriaus poslinkis, asmeninio kritimo sulaikymo sistema (PFAS), medžiagų kėlimo pajėgumas
8	8000105 Didžiausias keltuvo manipulatoriaus poslinkis, asmeninio kritimo sulaikymo sistema (PFAS), medžiagų kėlimo pajėgumas

3 lentelė – tikrinimo ir priežiūros žurnalas

Tikrinimo data:		Tikrino:	
Elementai:	Patikrinimas: <i>(Tikrinimo intervalai nurodyti 1 skyriuje)</i>	Naudotojas	Kompetentingas asmuo ¹
Didelės galios trijų dalių keltuvo pagrindas (2 paveikslas)	Patikrinkite sistemą High Capacity Three Piece Davit Base dėl galimų įtrūkimų, įdūrimų ar deformacijų.	<input type="checkbox"/>	<input type="checkbox"/>
	Patikrinkite ar įrenginys niekur nėra paveiktas korozijos.	<input type="checkbox"/>	<input type="checkbox"/>
	Patikrinkite, ar sukabinimo kaiščiai ir sulaikymo kaiščiai yra tinkamai įstatyti ir, jeigu reikia, užfiksuokite spyruokliniais fiksavimo kaiščiais.	<input type="checkbox"/>	<input type="checkbox"/>
Etiketės, 7 pav.	Patikrinkite, ar visos etiketės gerai pritvirtintos ir yra įskaitomos (žr. „Etiketės“)	<input type="checkbox"/>	<input type="checkbox"/>
AKSS ir kita įranga	Su DLG keltuvo pagrindu naudojama papildoma asmeninės kritimo stabdymo sistemos (AKSS) įranga (apraišai, ĮK ir kt.) Three Piece Davit Base turi būti parengta ir tikrinama laikantis gamintojo nurodymų.	<input type="checkbox"/>	<input type="checkbox"/>

Serijos numeris (-iai):	Pirkimo data:
Modelio numeris:	Naudojimo pradžios data:
Taisomieji veiksmai / priežiūra:	Patvirtino:
	Data:
Taisomieji veiksmai / priežiūra:	Patvirtino:
	Data:
Taisomieji veiksmai / priežiūra:	Patvirtino:
	Data:
Taisomieji veiksmai / priežiūra:	Patvirtino:
	Data:
Taisomieji veiksmai / priežiūra:	Patvirtino:
	Data:
Taisomieji veiksmai / priežiūra:	Patvirtino:
	Data:
Taisomieji veiksmai / priežiūra:	Patvirtino:
	Data:
Taisomieji veiksmai / priežiūra:	Patvirtino:
	Data:
Taisomieji veiksmai / priežiūra:	Patvirtino:
	Data:
Taisomieji veiksmai / priežiūra:	Patvirtino:
	Data:
Taisomieji veiksmai / priežiūra:	Patvirtino:
	Data:
Taisomieji veiksmai / priežiūra:	Patvirtino:
	Data:
Taisomieji veiksmai / priežiūra:	Patvirtino:
	Data:
Taisomieji veiksmai / priežiūra:	Patvirtino:
	Data:

¹ **Kompetentingas asmuo:** asmuo, kuris geba atpažinti esamus bei nuspėjamus veiksnius, susijusius su aplinka ar darbo sąlygomis, kurie kelia pavojų darbuotojams higienos, sveikatos ar saugos požiūriu, ir kuris yra įgaliotas nedelsiant imtis priemonių jiems pašalinti.

INFORMĀCIJA PAR DROŠUMU

Pirms lietotat šo ierīci iekļuvei/glābšanai šaurā telpā, lūdzu, izlasiet, saprotiet un ievērojiet visu šajā instrukcijā sniegto drošuma informāciju. **PRETĒJĀ GADĪJUMĀ PASTĀV NOPIETNU SAVAINOJUMU VAI NĀVES RISKS.**

Šī instrukcija obligāti jāizsniedz ekipējuma lietotājam. Saglabājiet šo instrukciju, lai varētu to izmantot arī turpmāk.

Paredzētais lietojums

Šo ierīci iekļuvei/glābšanai šaurā telpā ir paredzēts izmantot kā daļu no pilnas individuālas kritiena aizsardzības vai glābšanas sistēmas.

Citādu lietojumu: tajā skaitā, bet ne tikai neapstiprinātā materiālu pārkraušanā, ar atpūtu vai sportu saistītās vai citās aktivitātēs, kas šajos Norādījumos lietotājam vai Uztādīšanas instrukcijā nav aprakstītas, 3M nav apstiprinājis, un lietošana neparedzētiem nolūkiem var izraisīt smagus ievainojumus vai nāvi.

Šī iekārta paredzēta lietošanai darbavietā tikai apmācītiem lietotājiem.

BRĪDINĀJUMS!

Šī ierīce iekļuvei/glābšanai šaurā telpā ir daļa no individuālas kritiena aizsardzības vai glābšanas sistēmas. Paredzēts, ka visiem lietotājiem jābūt pilnībā apmācītiem pilnas sistēmas drošā uzstādīšanā un lietošanā. **Nepareizs šīs iekārtas lietojums var izraisīt nopietnu ievainojumu vai nāvi.** Pareizas izvēles, lietošanas, uzstādīšanas, apkopes un servisa nolūkos skatiet visas izstrādājumu instrukcijas un visas ražotāja rekomendācijas, konsultējieties ar savu tiešo vadītāju vai sazinieties ar 3M tehnisko dienestu.

- **Lai mazinātu riskus, kas saistīti ar strādāšanu ar ierīci iekļuvei/glābšanai šaurā telpā un kas, ja no tiem neizvairās, var izraisīt nopietnu ievainojumu vai nāvi:**
 - Pirms katras ierīces lietošanas, vismaz reizi gadā, un pēc katra kritiena pārbaudiet iekārtu. Pārbaudiet atbilstoši Norādījumos lietotājam.
 - Ja pārbaude atklāj nedrošu vai defektīvu stāvokli, izņemiet šo ierīci no lietošanas un labojiet vai nomainiet atbilstoši Norādījumiem lietotājam.
 - Visas ierīces, kas tikušas pakļautas kritiena bloķēšanai vai triecienspēkam, nekavējoties jāizņem no lietošanas. Skatiet Norādījumus lietotājam vai sazinieties ar 3M Fall Protection.
 - Ierīci drīkst uzstādīt tikai tādā veidā, kāds izklāstīts Uztādīšanas norādījumos vai Norādījumos lietotājam. Uzstādīšana un lietošana ārpus šo norādījumu ietvara rakstiski jāapstiprina 3M Fall Protection.
 - Substrātam vai struktūrai, pie kuras ierīce ir piestiprināta, jāspēj izturēt statiskās slodzes, kas noteiktas šai ierīcei, orientācijās, kuras atļauj Norādījumi lietotājam vai Uztādīšanas norādījumi.
 - Nepārsniedziet atļauto lietotāju skaitu.
 - Nekad nestrādājiet zem iekārtas kravas vai strādājošā.
 - Esiet piesardzīgi uzstādot, lietojot un pārvietojot ierīci, jo kustīgas daļas var izveidot iespējamus iespiešanas punktus. Skatiet Norādījumus lietotājam.
 - Nodrošiniet pareizu izslēgšanas/bloķēšanas procedūru ievērošanu pēc vajadzības.
 - Nekad nepievienojieties sistēmai, kamēr tā nav novietota, pilnībā samontēta, pielāgota un uzstādīta. Neveiciet sistēmas pielāgošanu, kamēr tai pievienots lietotājs.
 - Kritiena aizsardzības apskātsistēmas pievienojiet tikai norādītajam enkurojuma pievienošanas punktam uz ierīces.
 - Pirms urbšanas vai piestiprināšanas, pārliecinieties, ka urbis vai ierīce neskaras elektrības vadus, gāzes caurules vai citas kritiskas iegultas sistēmas.
 - Nodrošiniet, ka visas kritiena aizsardzības sistēmas/apakšsistēmas, kas sastāv no atšķirīga ražojuma sastāvdaļām, ir savstarpēji saderīgas un atbilst piemērojamajiem standartiem, ieskaitot ANSI Z359 vai citus piemērojamus kritiena aizsardzības kodeksus, standartus vai prasības. Pirms šo sistēmu lietošanas vienmēr konsultējieties ar kompetentu vai kvalificētu personu.
- **Lai mazinātu riskus, kas saistīti ar darbu augstumā un kas, ja no tiem neizvairās, var izraisīt nopietnu ievainojumu vai nāvi:**
 - Nodrošiniet, ka jūsu veselības un fiziskais stāvoklis ļauj jums droši izturēt visus ar darbu augstumā saistītus spēkus. Ja jums ir kādi jautājumi par savu spēju šo ekipējumu lietot, konsultējieties ar ārstu.
 - Nekad nepārsniedziet savu kritienu aizsardzības ekipējuma veikumu.
 - Nekad nepārsniedziet savu kritienu aizsardzības ekipējuma maksimālo brīvā kritiena distanci.
 - Neizmantojiet nekādu kritiena aizsardzības ekipējumu, kas nav izturējis pirmslietošanas vai citas plānotās pārbaudes, vai, ja jums ir bažas par ekipējumu izmantojamību vai piemērotību jūsu vajadzībām. Ar visiem jautājumiem vērsieties pie 3M tehniskā dienesta.
 - Dažas apakšsistēmu un sastāvdaļu kombinācijas var traucēt šī ekipējuma darbību. Lietojiet tikai saderīgus savienojumus. Pirms šī ekipējuma lietošanas savienojumā ar tādām sastāvdaļām vai apakšsistēmām, kas nav aprakstītas šajos Norādījumos lietotājam, konsultējieties ar 3M.
 - Strādājot kustīgu ierīču tuvumā (piem., naftas platformu augšējās piedziņas sistēmas), apstākljos, kad pastāv elektrības trieciena, ekstrēmu temperatūru, ķīmiskā apdraudējuma, sprādzienbīstamu vai toksisku gāzu, asu šķautņu radīts risks, vai zem materiāliem, kas var uzkrīst jums vai jūsu kritiena aizsardzības ekipējumam, ievērojiet īpašu piesardzību.
 - Strādājot lielā karstumā, lietojiet Arc Flash vai Hot Works ierīces.
 - Izvairieties no virsmām un priekšmetiem, kas var kaitēt lietotājam vai ekipējumam.
 - Strādājot augstumā, nodrošiniet pienācīgu kritiena klīrensu.
 - Nekad nepārveidojiet vai neizmainiet savu kritiena aizsardzības ekipējumu. Aprikojumu labot drīkst tikai 3M vai no 3M rakstisku atļauju saņēmušas personas.
 - Pirms kritiena aizsardzības ekipējuma lietošanas pārliecinieties, ka pastāv spēkā esošs glābšanas plāns, kas kritiena gadījumā ļauj veikt tūlītējus glābšanas darbus.
 - Kritiena gadījumā nekavējoties izsauciet medicīnisko palīdzību kritušā aprūpei.
 - Neizmantojiet ķermeņa jostu kritiena bloķēšanai. Izmantojiet tikai pilnķermeņa ekipējumu.
 - Lai pēc iespējas samazinātu svārsta kritienu, pēc iespējas strādājiet tieši zem enkurspunkta.
 - Mācoties lietot šo iekārtu, jāizmanto papildu kritiena aizsardzības sistēma tādā veidā, kas nepakļauj apmācāmo neparedzēta kritiena riskam.
 - Uzstādot, lietojot vai pārbaudot ierīci/sistēmu, vienmēr lietojiet atbilstošus individuālas aizsardzības līdzekļus.

Pirms šī aprīkojuma uzstādīšanas un lietošanas pierakstiet izstrādājuma identifikācijas datus no ID marķējuma šīs rokasgrāmatas beigās esošajā «Pārbaudes un apkopes žurnālā» (3. tabula).

IZSTRĀDĀJUMA APRAKSTS

1. attēlā parādītas 3M™ DBI-SALA® augstas kapacitātes (HC) iekļuvei/glābšanai šaurā telpā trīs daļu dēvita pamatnes. Augstas kapacitātes trīs daļu dēvita pamatni ir paredzēts montēt uz horizontālas virsmas un uztvert savietojamu 3M DBI-SALA HC dēvita sistēmas iekļuvei/glābšanai šaurā telpā mastu.

Augstas kapacitātes trīs daļu dēvita pamatnes adaptera sastāvdaļas, kas aprakstītas 1. tabulā, attēlotas 2. attēlā. Augstas kapacitātes trīs daļu dēvita pamatne sastāv no centra daļas (H) ar integrētu dēvita uznavu (A), ar bīdāmi regulējamiem kāju savienotājiem (E) abās pusēs, kas ir fiksēti vēlamajā platumā ar aiztura tapām (C) un trīsstūrveida skrūvēm (B). Kāju montāžas (D) ir pievienotas kāju savienotājiem (E) ar sakabes tapām (I), un to augstumu var noregulēt ar regulējamu pēdu (F), izmantojot regulēšanas rokturus (G).

1. tabula – Specifikācijas

Davit Base Specifikācijas:		
Izmēri	Davit Base Izmērus skatīt .1 attēlā	
Davit Base Svars	8000104 37,5 kg (82,7 mārc.) 8000105 50,5 kg (111,3 mārc.)	
Savietojamība	Šajos norādījumos aprakstītās Davit Base ir savietojamas ar 3M™ DBI-SALA® augsta veikuma (HC) īsās izlīces un garās izlīces dēvita sistēmām.	
Mīnīmālās montāžas prasības:		
Vertikāla slodze uz struktūru:	13,8 kN (3100 mārc.)	
Elementu specifikācijas		
2. attēls Atsauce	Elements	Materiāli
(A)	Dēvita uznavu	Alumīnijs ar augsta blīvuma polietilēnu
(B)	Trīsstūrveida skrūves	Cinkots tērauds ar pulvera pārklājumu
(C)	Aiztura tapa	Cinkots tērauds
(D)	Kāju montāžas	Alumīnijs un cinkots tērauds
(E)	Kāju savienotāji	Alumīnijs
(F)	Regulējamas pēdas	Cinkots tērauds
(G)	Regulēšanas rokturi	Cinkots tērauds
(H)	Centra daļa	Alumīnijs
(I)	Sakabes tapas	Cinkots tērauds
(J)	Līmeņošanas burbulis	
Svara celtspēja:		
Materiālu celtspēja	205 kg (452 mārc.)	

1.0. IZSTRĀDĀJUMA LIETOŠANA

- 1.1. **NOLŪKS.** Davit pamatnes ir paredzātas kā montāžas vietas saderīgām 3M Davit sistēmām. Skatiet attiecīgās Davit sistēmas norādījumus par sistēmas lietošanu un darbību.
- 1.2. **STANDARTI.** Jūsu Davit pamatne atbilst nacionāliem un reģionāliem standartiem, kas norādīti uz šo norādījumu priekšējā vāka. Ja šo izstrādājumu atkārtoti pārdod ārpus sākotnējās mērķa valsts, tālākpārdevējam jānodrošina, lai šie norādījumi būtu pieejami tās valsts valodā, kur šo izstrādājumu lieto.
- 1.3. **UZSTĀDĪŠANA UN UZRAUDZĪBA.** Davit pamatnes uzstādīšana jāuzrauga kompetentai personai¹. Kvalificētai personai² jāpārbauda konstrukcijas uzstādīšanas atbilstība vietējiem un federālajiem noteikumiem. Kvalificētajai personai jāieteic piemēroti fiksatori un pareizs Davit pamatnes novietojums. Davit un pievienotā kritiena aizsardzības ekipējuma lietošana jāuzrauga kompetentai personai.
- 1.4. **IZMANTOŠANAS VIETAS DOKUMENTĒŠANA.** Pēc Davit pamatņu uzstādīšanas to uzstādītājam jāaizpilda Uzstādīšanas dokuments, kas atbilst EN 795 A pielikuma prasībām, un jānodod lietotāja nozīmētam pārstāvim. Uzstādīšanas dokuments jāglabā darba vietā turpmākai pārbaudei.
- 1.5. **APMĀCĪBA.** Šis ekipējums jāuzstāda un jālieto personām, kas apmācītas tā pareizā izmantošanā. Šo rokasgrāmatu var izmantot kā daļu no darbinieka apmācības programmas un/vai vietējiem noteikumiem. Šī ekipējuma lietotāji un uzstādītāji ir atbildīgi par šo norādījumu apgūšanu, par apmācību pareizai ekipējuma apkopei un lietošanai, un viņiem jābūt informētiem par šī ekipējuma lietošanas raksturlielumiem, lietošanas ierobežojumiem un nepareizas lietošanas sekām.
- 1.6. **GLĀBŠANAS PLĀNS.** Lietojot Davit un pievienoto kritiena aizsardzības ekipējumu, darba devējam nepieciešams glābšanas plāns un līdzekļi šī plāna īstenošanai un lietotāju iepazīstināšanai ar šo plānu. Ieteicams, ka uz vietas ir apmācīta glābšanas komanda. Komandas locekļiem jābūt apgādātiem ar aprīkojumu un tehniku veiksmīgas glābšanas veikšanai. Lai nodrošinātu glābēju prasmi, jāveic regulāra apmācība.
- 1.7. **PĀRBAUDES BIEŽUMS.** Davit pamatnes pārbaude lietotājam jāveic pirms katras lietošanas reizes un, papildus tam, kompetentai personai, kas nav lietotājs, ne retāk kā reizi gadā.³ Pārbaudes procedūras ir aprakstītas «Pārbaudes un apkopes žurnālā». Katras kompetentās personas veiktas pārbaudes rezultāti jāreģistrē «Pārbaudes un apkopes žurnālos».

2.0. SISTĒMAS PRASĪBAS

- 2.1. **ENKUROJUMS UN FIKSATORI.** Visām struktūrām un fiksatoriem (ja fiksatori ir piemērojami), kas tiek izmantoti Davit pamatnes piestiprināšanai, jāatbilst «Montāžas prasībām», kas definētas 1. tabulā.
- 2.1. **SASTĀVDAĻU SAVIETOJAMĪBA.** 3M ekipējumu paredzēts lietot tikai kopā ar 3M apstiprinātām sastāvdaļām un apakšsistēmām. Aizvietošana vai nomainīšana, izmantojot neapstiprinātas sastāvdaļas vai apakšsistēmas, var apdraudēt ekipējuma savietojamību un var ietekmēt visas sistēmas drošumu un uzticamību.
- 2.2. **INDIVIDUĀLĀ KRITIENA BLOKĒŠANAS SISTĒMA.** Individuālām kritiena bloķēšanas sistēmām (PFAS), izmantojot ar šo sistēmu, jāatbilst piemērojamiem kritiena aizsardzības standartiem, noteikumiem, kodeksiem un prasībām. PFAS ir jāietver ķermeņa piln ekipējums un jāierobežo bloķēšanas spēks ar šādām vērtībām:

	Maksimālais bloķēšanas spēks	Brīvais kritiens
PFAS ar triecienu absorbējošu štropi	6 kN	Brīvā kritiena ierobežojumu skatiet norādījumus, kas ievietoti kopā ar jūsu štropi vai SRD.
PFAS ar pašievelkošu ierīci (SRD)	6 kN	

- 2.3. **RISKI.** Šī aprīkojuma izmantošana vietās, kur pastāv vides riski, prasa papildu piesardzības pasākumus, lai novērstu lietotāja traumatismu vai aprīkojuma bojājumu. Skatiet īpašus riskus, kas var ietekmēt sistēmas izmantošanu, norādījumos par 3M Davit mastu.

¹ **Kompetenta persona:** kāds, kurš spēj identificēt esošos un paredzamos riskus apkārtnē vai darba apstākļos, kas ir antisemitāri, kaitīgi vai bīstami darbiniekiem, un kurš ir pilnvarots nekavējoties veikt koriģējošus pasākumus attiecīgo risku novēršanai.

² **Kvalificēta persona:** persona ar atzītu grādu vai profesionālu sertifikātu un plašu pieredzi kritiena aizsardzībā. Šai personai jāspēj projektēt, analizēt, novērtēt un noteikt specifikāciju kritiena aizsardzībā.

³ **Pārbaudes biežums:** Ekstrēmās darba apstākļos (kaitīga vide, ilgstošs lietojums u.c.) var būt nepieciešamas biežākas kompetentas personas veiktas pārbaudes.

3.0. MONTĀŽA

3.1. PLĀNOŠANA. Pirms augstas kapacitātes trīs daļu dēvita pamatnes uzstādīšanas izplānojiet savu pretkritiena aizsardzības sistēmu. Novērtējiet visus faktorus, kas var ietekmēt jūsu drošību pirms un pēc kritiena un kritiena laikā. Apsveriet visas prasības, kā definēts 2. sadaļā un 1. tabulā, lai noteiktu pareizus fiksatorus un novietojumu augstas kapacitātes trīs daļu dēvita pamatnes montāžai uz enkurojuma struktūras.

- **Enkurojums.** Enkurojuma struktūrai, uz kuras ir uzmontēta augstas kapacitātes trīs daļu dēvita pamatne, jāatbilst enkurojuma slodzes prasībām, kas norādītas 2. sadaļā un Slodzes momenta un vertikālās slodzes prasībās 1. tabulā.

3.2. AUGSTAS KAPACITĀTES TRĪS DAĻU DĒVITA PAMATNES MONTĀŽA. 5. attēlā parādīta augstas kapacitātes trīs daļu dēvita pamatnes uzstādīšana. Piemontējiet augstas kapacitātes trīs daļu dēvita pamatni uz horizontālas virsmas, kas atbilst 1. tabulā norādītajām stiprības prasībām, piemēram, uz betona vai tērauda struktūras:

1. Ievietojiet kāju savienotājus (E) centra daļā (H).
2. Izklājiet sistēmu uz grīdas aptuvenā zonā, kur to paredzēts izmantot, tai pat laikā novēršot jebkādu potenciālo bīstamību.
3. Kāju montāžai (D) esot novietotai perpendikulāri pret centra daļu (H), turiet kāju montāžu stateniski un paceliet kāju savienotāju (E) uz kāju montāžas (D), izmantojot uz kājām esošos izciļņus, lai gala savienojumu ievirzītu pareizā vietā.
4. Ievietojiet sakabes tapas (I), pievienojot kāju montāžu (D) kāju savienojumam (E) un nostipriniet, izmantojot pievienoto sprosttapu.
5. Atkārtojiet ar kāju pretējā pusē.
6. Noregulējiet pamatnes montāžu vēlamajā platumā un ievietojiet aizmura tapas (C) pilnībā caur centra daļu (H), nostiprinot kāju savienojumus (E). Pieskrūvējiet trīsstūrveida skrūves (B) centra daļas (H) aizmugurē.
7. Noregulējiet līmeņošanas pēdas (F), lai pamatnes montāža būtu pareizajā līmenī, izmantojot pievienoto līmeņa burbuli (J), pārlicinoties, ka tas ir atsaucies aplī.

Pirms lietošanas apstipriniet, ka visas tapas ir pilnībā ievietotas un tām ir sprosttapas. Skatīt 4. attēlu.

4.0. LIETOŠANA

4.1. PIRMS KATRAS LIETOŠANAS. Pārlicinieties, ka jūsu darba zona un individuālā kritiena bloķēšanas sistēma (PFAS) atbilst kritērijiem, kas definēti 2. sadaļā un ir piemērots formāls glābšanas plāns. Pārbaudiet augstas kapacitātes trīs daļu dēvita pamatni atbilstoši «Lietotāja» pārbaudes punktiem, kas definēti «Pārbaudes un apkopes žurnālā» (3. tabula). Ja pārbaude atklāj nedrošu vai bojājuma stāvokli, nelietojiet sistēmu. Izņemiet sistēmu no lietošanas un iznīciniet, vai sazinieties ar 3M par nomaiņu vai labošanu.

4.2. DARBA ZONA. 3M augstas kapacitātes trīs daļu dēvita pamatni drīkst uzstādīt tikai atļautajā darba zonā starp kāju montāžu garākajām malām. Skatīt 3. attēlu.

Darba zona: Sistēma var kļūt nestabila, ja to lieto ārpus drošas darba zonas, kā norādīts 3. attēlā.

5.0. PĀRBAUDE

5.1. PĀRBAUDES BIEŽUMS. Augstas kapacitātes trīs daļu dēvita pamatne jāpārbauda 1. sadaļā norādītajos intervālos. Pārbaudes procedūras ir aprakstītas «Pārbaudes un apkopes žurnālā» (3. tabula). Pārbaudiet visus citus kritiena aizsardzības sistēmas elementus ar biežumu un procedūrām, kas definēti ražotāja norādījumos.

5.2. DEFEKTI. Ja pārbaude atklāj nedrošu vai defektīvu stāvokli, nekavējoties izņemiet augstas kapacitātes trīs daļu dēvita pamatni no lietošanas un sazinieties ar 3M par nomaiņu vai labošanu. Nemēģiniet labot kritiena bloķēšanas sistēmu.

Tikai autorizēta labošana. Šo aprīkojumu labot drīkst tikai 3M rakstisku atļauju saņēmušas personas.

5.3. IZSTRĀDĀJUMA LIETOŠANAS ILGUMS. Kritiena bloķēšanas sistēmas kalpošanas laiku nosaka darba apstākļi un apkope. Kamēr izstrādājums atbilst pārbaudes kritērijiem, to var atstāt lietošanā.

6.0. APKOPE, SERVISS, UZGLABĀŠANA


6.1. TĪRĪŠANA. Periodiski tīriet augstas kapacitātes trīs daļu dēvita pamatnes metāla elementus ar mīkstu suku, siltu ūdeni un maigu ziepju šķīdumu. Pārlicinieties, ka daļas ir rūpīgi noskalotas ar tīru ūdeni.

6.2. SERVISS. Šo aprīkojumu drīkst labot tikai 3M vai personas, kas rakstiski autorizētas to darīt. Ja augstas kapacitātes trīs daļu dēvita pamatne tikusi pakļauta kritiena spēkam, vai pārbaude atklāj nedrošus vai efektīvus apstākļus, izņemiet sistēmu no lietošanas un sazinieties ar 3M par nomaiņu vai labošanu.

6.3. UZGLABĀŠANA UN TRANSPORTĒŠANA. Kad to nelieto, ja atbilstoši, glabājiet augstas kapacitātes trīs daļu dēvita pamatni un ar to saistīto kritiena aizsardzības ekipējumu vēsā, sausā, tīrā vidē, sargājot no tiešas saules gaismas. Izvairieties no vietām, kur var būt ķīmikāliju tvaiki. Rūpīgi pārbaudiet elementus pēc ilgstošas uzglabāšanas.

7.0. MARĶĒJUMS

6. attēlā parādīti marķējumi uz augstas kapacitātes trīs daļu dēvita pamatnes. Marķējums jānomaina, ja tas nav labi salasāms. Katrā marķējumā ir šāda informācija:

	Izlasiet visus norādījumus.
1	A) Izgatavots (gads, mēnesis) B) Modeļa numurs C) Sērijas numurs
2	Droša darba zona.
3	Tapu pievienošanas brīdinājums
4	CE standarta sertifikācija
5	AS/NZS standarta sertifikācija
6	EN1496:2006 B klase
7	8000104 Maksimālā dēvita izlīces nobīde, Personiskā kritiena bloķēšanas sistēma (PFAS), Materiāla celtnespēja
8	8000105 Maksimālā dēvita izlīces nobīde, Personiskā kritiena bloķēšanas sistēma (PFAS), Materiāla celtnespēja

3. tabula – Pārbaudes un apkopes žurnāls

3. tabula – Pārbaudes un apkopes žurnāls			
Pārbaudes datums:		Pārbaudes veicējs:	
Elementi:	Pārbaude: <i>(Pārbaudes biežumu skatiet 1. sadaļā)</i>	Lietotājs	Kompetentā persona ¹
Augstas kapacitātes trīs daļu dēvita pamatne (2. attēls)	Pārbaudiet vai High Capacity Three Piece Davit Base nav plaisu, iespaidumu vai deformāciju.	<input type="checkbox"/>	<input type="checkbox"/>
	Pārbaudiet visu ierīci, vai nav pārmērīgas korozijas pazīmju.	<input type="checkbox"/>	<input type="checkbox"/>
	Apstipriniet, ka sakabes tapas un aiztura tapas ir pilnībā ievietotas un nostiprinātas ar sprosttapām, ja atbilstoši.	<input type="checkbox"/>	<input type="checkbox"/>
Marķējums (7. attēls)	Pārlicinieties, ka viss marķējums ir droši piestiprināts un ir salasāms (skatiet « <i>Marķējums</i> »).	<input type="checkbox"/>	<input type="checkbox"/>
PFAS un cits aprīkojums	Individuālās kritiena bloķēšanas sistēmas (PFAS) papildu aprīkojums (iejūgs, SRL utt.), kas tiek lietots kopā ar HC Three Piece Davit Base, ir jāuzstāda un jāpārbauda atbilstoši ražotāja norādījumiem.	<input type="checkbox"/>	<input type="checkbox"/>
Sērijas numurs(-i):		Iegādes datums:	
Modeļa numurs:		Pirmās lietošanas datums:	
Koriģējoša darbība/Apkope:		Apstiprināja:	
		Datums:	
Koriģējoša darbība/Apkope:		Apstiprināja:	
		Datums:	
Koriģējoša darbība/Apkope:		Apstiprināja:	
		Datums:	
Koriģējoša darbība/Apkope:		Apstiprināja:	
		Datums:	
Koriģējoša darbība/Apkope:		Apstiprināja:	
		Datums:	
Koriģējoša darbība/Apkope:		Apstiprināja:	
		Datums:	
Koriģējoša darbība/Apkope:		Apstiprināja:	
		Datums:	
Koriģējoša darbība/Apkope:		Apstiprināja:	
		Datums:	
Koriģējoša darbība/Apkope:		Apstiprināja:	
		Datums:	
Koriģējoša darbība/Apkope:		Apstiprināja:	
		Datums:	
Koriģējoša darbība/Apkope:		Apstiprināja:	
		Datums:	

1 Kompetentā persona: kāds, kurš spēj identificēt esošos un paredzamos riskus apkārtņē vai darba apstākļos, kas ir antisanitāri, kaitīgi vai bīstami darbiniekiem, un kurš ir pilnvarots nekavējoties veikt koriģējošus pasākumus attiecīgo risku novēršanai.

Lees alle veiligheidsinformatie in deze instructies voordat u dit systeem voor het betreden van/reddingswerk in besloten ruimten gebruikt en vergewis u ervan dat u alle informatie begrepen hebt en volgt. **NALATIGHEID KAN ERNSTIG LETSEL OF DE DOOD TOT GEVOLG HEBBEN.**

Deze instructies dienen aan de gebruiker van deze apparatuur verstrekt te worden. Bewaar deze instructies zodat u ze later kunt raadplegen.

Beoogd gebruik:

Dit systeem voor het betreden van/reddingswerk in besloten ruimten is bedoeld voor gebruik als onderdeel van een volledig persoonlijk valbeveiligingssysteem of reddingssysteem.

Gebruik in andere toepassingen, inclusief (maar niet beperkt tot) niet goedgekeurde toepassingen in materiaalbehandeling, vrijetijdsactiviteiten, sporten of andere activiteiten die niet in de gebruiks- of installatie instructies omschreven staan, wordt niet goedgekeurd door 3M en kan leiden tot een ongeval met ernstig letsel of de dood tot gevolg.

Dit apparaat mag uitsluitend worden gebruikt door opgeleide gebruikers voor toepassing op de werkplaats.



WAARSCHUWING

Dit systeem voor het betreden van/reddingswerk in besloten ruimten is onderdeel van een persoonlijk valbeveiligingssysteem of reddingssysteem. Er wordt verwacht dat alle gebruikers volledig zijn opgeleid voor een veilige installatie en veilig gebruik van het complete systeem. **Misbruik van dit apparaat kan leiden tot ernstig letsel of een dodelijk ongeval.** Raadpleeg voor het correct selecteren, installeren, bedienen, onderhouden en verzorgen alle productinstructies, inclusief alle aanbevelingen van de fabrikant, of raadpleeg uw leidinggevende of neem contact op met 3M Technical Services.

- **Doe het volgende om de risico's te beperken die gepaard gaan met het werken met een systeem voor het betreden van/reddingswerk in besloten ruimten, waarbij nalatigheid kan leiden tot ernstig letsel of een dodelijk ongeval:**
 - Inspecteer voorafgaand aan elk gebruik alle onderdelen van het systeem, minstens één keer per jaar en na elke valgebeurtenis. Voer de inspectie uit aan de hand van de gebruiksaanwijzing.
 - Als uit inspectie een defect of onveilige werking blijkt, stelt u het apparaat onmiddellijk buiten gebruik en zorgt u voor reparatie of vervanging volgens de gebruiksinstructies.
 - Systemen die onderworpen zijn aan valstop- of botskrachten, moeten onmiddellijk buiten gebruik worden gesteld. Raadpleeg de gebruikersinstructies of neem contact op met 3M Valbescherming.
 - Het apparaat mag alleen worden geïnstalleerd op de wijze die is beschreven in de installatie-instructies of gebruikersinstructies. Installaties en gebruik dat buiten het bereik van de instructie valt moet schriftelijk door 3M Fall Protection zijn goedgekeurd.
 - Het substraat of de structuur waarop het apparaat is bevestigd/gepositioneerd, moet de statische belastingen die zijn opgegeven voor het apparaat, kunnen ondersteunen in de oriëntaties die in de gebruiksaanwijzing of installatie-instructies zijn toegestaan.
 - Het aantal geoorloofde gebruikers niet overschrijden.
 - Werk nooit onder een hangende lading of werknemer.
 - Wees voorzichtig bij het installeren, gebruiken en verplaatsen van het apparaat aangezien bewegende delen potentiële afknelpunten kunnen creëren. Raadpleeg de gebruikersinstructies.
 - Zorg ervoor dat er correcte uitschakelprocedures, zoals van toepassing, zijn gevolgd.
 - Verbind u nooit aan een systeem voordat het volledig is gemonteerd, geplaatst, aangepast en geïnstalleerd. Stel het systeem niet bij wanneer een gebruiker is aangesloten.
 - Sluit beveiligingssubsystemen uitsluitend aan op het aangewezen verbindingspunt van het apparaat.
 - Zorg er bij het boren van gaten voor montage of installatie van het systeem voor dat er geen elektrische kabels, gasleidingen of andere kritische materialen of apparatuur door de boor kunnen worden geraakt.
 - Zorg ervoor dat valbeveiligingssystemen/-subsystemen samengesteld uit onderdelen van verschillende fabrikanten compatibel zijn en aan de geldende normen voldoen, waaronder ANSI Z359 of andere geldende voorschriften, normen of vereisten op het gebied van valbescherming. Raadpleeg altijd een deskundige en/of een gekwalificeerd persoon voordat u deze systemen gebruikt.
- **Doe het volgende om de risico's te beperken die gepaard gaan met het werken op hoogte, waarbij nalatigheid kan leiden tot een ongeval met ernstig letsel of de dood tot gevolg:**
 - Vergewist u zich ervan dat u met uw gezondheid en lichamelijke conditie veilig bestand bent tegen alle krachten die kunnen optreden bij het werken op hoogte. Raadpleeg uw arts als u vragen heeft over of u in staat bent om deze uitrusting te gebruiken.
 - Overschrijd nooit de toelaatbare capaciteit van uw valbeveiligingsuitrusting.
 - Overschrijd nooit de maximale vrijevalafstand van uw valbeveiligingsuitrusting.
 - Gebruik nooit valbeveiligingsuitrusting die een gebrek vertoont bij de inspectie vóór het gebruik of andere periodieke inspecties, of als u onzeker bent over het gebruik of de geschiktheid van de uitrusting voor uw toepassing. Neem voor al uw vragen contact op met 3M Technical Services.
 - Sommige combinaties van subsystemen en componenten kunnen de werking van deze uitrusting verstoren. Gebruik uitsluitend koppelingen die onderling geschikt zijn. Raadpleeg 3M voordat u deze apparatuur gebruikt in combinatie met andere componenten of subsystemen dan in de gebruikersinstructies beschreven staan.
 - Wees extra voorzichtig bij het werken in de buurt van bewegende machines (bijv. de bovenaandrijving van een boorplatform), op plaatsen met elektrische gevaren, extreme temperaturen, gevaar van chemische middelen, explosieve of giftige gassen, scherpe randen of onder voorwerpen boven het hoofd die op u of uw valbeveiligingsuitrusting kunnen vallen.
 - Gebruik bij werken in een hete omgeving of met hitteapparatuur beschermingsmiddelen tegen risico's op een vlamboog en brandgevaar.
 - Vermijd oppervlakken en voorwerpen die de gebruiker of de uitrusting kunnen beschadigen.
 - Vergewist u zich ervan dat er voldoende vrije val is bij werken op hoogte.
 - Wijzig of verander uw valbeveiligingsuitrusting nooit. Alleen 3M, of partijen die door 3M schriftelijk zijn geautoriseerd, mogen de uitrusting repareren.
 - Zorg voordat de valbeveiligingsuitrusting in gebruik wordt genomen dat er een reddingsplan aanwezig is waarmee in geval van een ongeval snel hulp kan worden geboden.
 - Laat na een val de betreffende persoon onmiddellijk door een arts onderzoeken.
 - Gebruik geen lichaamsgordel voor valstop-toepassingen. Gebruik uitsluitend een volledig lichaamsharnas.
 - Minimaliseer zwenkvallen door zo recht mogelijk onder het ankerpunt te werken.
 - Bij training met dit apparaat moet een tweede valbeveiligingssysteem worden gebruikt om elk risico te vermijden dat de gebruiker-in-training per ongeluk aan valgevaar wordt blootgesteld.
 - Draag altijd geschikte persoonlijke beschermingsmiddelen bij het installeren, gebruiken of inspecteren van het apparaat/systeem.

Noteer, voorafgaand aan het gebruik of de installatie van deze apparatuur, de productidentificatiegegevens van het ID-label in het logboek voor inspectie en onderhoud (Tabel 2) achter in deze handleiding.

PRODUCTBESCHRIJVING:

Afbeelding 1 geeft de 3M™ DBI-SALA® Toegang tot besloten ruimten/Redding hoge capaciteit (HC) driedelige Davit-basis met hoge capaciteit weer. De driedelige Davit-basis met hoge capaciteit moet op een horizontaal oppervlak worden gemonteerd en worden voorzien van een mast van een compatibele 3M DBI-SALA-installatie voor besloten ruimten/redding HC Davit.

Afbeelding 2 geeft de componenten van de driedelige Davit-basis met hoge capaciteit, gespecificeerd in Tabel 1, weer. De driedelige Davit-basis met hoge capaciteit bestaat uit een middendeel (H) met een geïntegreerde Davit-mof (A), met aan beide zijden instelbare pootconnectoren (E) die met de drukpennen (C) in de gewenste breedte zijn vergrendeld en uit drie delen bestaande schroeven (B). De pootmontages (D) zijn bevestigd aan de pootconnectoren (E) met koppelingspennen (I) en kunnen in hoogte worden versteld met de verstelbare poten (F) met behulp van de afstellingshendels (G).

Tabel 1 – Specificaties

Specificaties Davit-basis:	
Afmetingen	Zie afbeelding 1 voor afmetingen van de Davit-basis
Gewicht Davit-basis	8000104 37,5 kg (82,7 lbs) 8000105 50,5 kg (111,3 lbs)
Compatibiliteit	De Davit-basissen die in deze instructie worden behandeld, zijn compatibel met 3M™ DBI-SALA® met hoge capaciteit (HC) Davit-systemen met korte en lange reikwijdte.
Minimale montagevereisten:	
Verticale belasting per constructie:	13,8 Kn (3.100 lbs)

Componentspecificaties:		
Referentie in afbeelding 2	Onderdeel	Materialen
Ⓐ	Davit-mof	Aluminium met polyethyleen met hoge dichtheid
Ⓑ	Uit drie delen bestaande schroeven	Verzinkt en gepoedercoat staal
Ⓒ	Drukpenen	Verzinkt staal
Ⓓ	Pootmontages	Aluminium en verzinkt staal
Ⓔ	Pootconnectoren	Aluminium
Ⓕ	Instelbare voeten	Verzinkt staal
Ⓖ	Afstellingshendels	Verzinkt staal
Ⓗ	Middengedeelte	Aluminium
Ⓘ	Koppelingspennen	Verzinkt staal
Ⓙ	Waterpas	

Gewichtscapaciteiten:	
Capaciteit materiaalhantering	205 kg (452 lbs)

1.0 TOEPASSING VAN HET PRODUCT

- 1.1 DOEL:** Davitbasissen zijn ontworpen bevestigingspunten voor compatibele 3M-davitsystemen. Raadpleeg de betreffende davitsysteem-instructies voor het gebruik en de functionaliteit van het systeem.
- 1.2 NORMEN:** Deze davitbasis voldoet aan de nationale of regionale norm(en) die staan vermeld op de omslag van deze instructies. Als dit product opnieuw verkocht wordt buiten het oorspronkelijke land van bestemming, dient de wederverkoper deze instructies te leveren in de taal van het land waarin het product gebruikt zal worden.
- 1.3 INSTALLATIE EN TOEZICHT:** De installatie van de davitbasis moet onder toezicht staan van een deskundige¹. Een gekwalificeerd persoon² moet controleren of de constructie van de installatie voldoet aan de lokale en overheidsnormen. Een gekwalificeerd persoon moet aanbevelingen doen over de correcte bevestigingsmiddelen en de correcte plaatsing van de davitbasis. Het gebruik van de davit en de daaraan bevestigde valbeveiligingsapparatuur moet onder toezicht van een deskundige staan.
- 1.4 SITEDOCUMENTATIE:** Na de montage en installatie van de davitbasissen dient de installateur het formulier 'Installatiedocumentatie' dat voldoet aan de informatievereisten van EN795 Bijlage A te voltooien en te overhandigen aan de aangewezen vertegenwoordiger van de gebruiker. De installatiedocumentatie dient te worden bewaard op de werkplek voor gebruik bij later onderzoek.
- 1.5 TRAINING:** Deze apparatuur moet geïnstalleerd en gebruikt worden door personen die getraind zijn in de juiste toepassing van deze apparatuur. Deze handleiding kan worden gebruikt als onderdeel van een trainingsprogramma voor medewerkers en/of regionale voorschriften. Het is de verantwoordelijkheid van de gebruikers en installateurs van deze apparatuur om zich ervan te verzekeren dat ze deze instructies kennen, getraind zijn in het juiste gebruik en de verzorging van de apparatuur, en dat ze zich bewust zijn van de gebruikskennmerken, toepassingsbeperkingen en de gevolgen van enig onjuist gebruik van deze apparatuur.
- 1.6 REDDINGSPLAN:** Wanneer deze davit en de verbonden valbeschermingsapparatuur worden gebruikt, dient de werkgever te beschikken over een reddingsplan. Ook moet de werkgever middelen binnen bereik hebben om het reddingsplan te implementeren en te communiceren met gebruikers. Het wordt aanbevolen dat een getraind reddingsteam ter plekke aanwezig is. Teamleden moeten de apparatuur en technieken aangeleverd krijgen om een succesvolle reddingsactie te verrichten. Er moet op periodieke basis training gegeven worden om ervoor te zorgen dat de kennis van de redders actueel blijft.
- 1.7 REGELMAAT VAN INSPECTIES:** Iedere gebruiker dient de davitbasis voorafgaand aan gebruik te inspecteren. Eventueel kan het apparaat ook worden beoordeeld door een andere deskundige dan de gebruiker. Er mag niet meer dan een jaar tussen de inspecties liggen.³ De inspectieprocedures zijn beschreven in het "Logboek voor inspectie en onderhoud". De resultaten van elke inspectie door een deskundige moeten worden genoteerd op kopieën van het "Inspectie- en onderhoudslogboek".

2.0 SYSTEEMVEREISTEN

- 2.1 VERANKERING EN BEVESTIGINGSMIDDELEN:** Alle constructies en bevestigingsmiddelen (bevestigingsmiddelen indien van toepassing) die gebruikt worden om de davitbasis te bevestigen, moeten voldoen aan de "Montagevereisten" zoals gedefinieerd in tabel 1.
- 2.1 COMPATIBILITEIT VAN ONDERDELEN:** 3M-apparatuur is alleen ontworpen voor gebruik met andere door 3M goedgekeurde onderdelen en subsystemen. Substituties of vervangingen door niet-goedgekeurde onderdelen of subsystemen kunnen de compatibiliteit van apparatuur in gevaar brengen en kunnen de veiligheid en betrouwbaarheid van het volledige systeem beïnvloeden.
- 2.2 PERSOONLIJK VALSTOPSYSTEEM:** Persoonlijke systemen voor valbescherming (PFAS) die worden gebruikt in combinatie met het systeem moeten voldoen aan de geldende normen, codes en vereisten voor valbescherming. De PFAS moet gebruikmaken van een volledig lichaamsharnas en de valstopkracht beperken tot de volgende waarden:

	Maximale valstopkracht	Vrije val
PFAS met schokdempende lijnen	6 kN (1.350 lb)	Raadpleeg de instructie(s) bij uw lijn of SRD voor beperkingen van de vrije val.
PFAS met automatisch blokkerend valstopsysteem (SRD)	6 kN (1.350 lb)	

- 2.3 GEVAREN:** Gebruik van deze apparatuur in gebieden met gevaren voor het milieu kunnen aanvullende voorzorgsmaatregelen vereisen om de mogelijkheid van letsel voor de gebruiker of beschadiging aan de apparatuur te voorkomen. Raadpleeg de 3M-davitmastinstructie voor specifieke gevaren die van invloed kunnen zijn op het gebruik van het systeem.

¹ **Deskundige:** Een persoon die in staat is om bestaande en voorspelbare gevaren in de werkomgeving of -omstandigheden te identificeren die onhygiënisch, gevaarlijk of riskant zijn voor werknemers, en die bevoegd is om direct corrigerende acties te ondernemen om gevaren te elimineren.

² **Gekwalificeerd persoon:** Een persoon met een erkende graad of een professioneel certificaat en uitgebreide ervaring op het gebied van valbeveiliging. Deze persoon moet in staat zijn tot het ontwerpen, analyseren, evalueren en specificeren van producten op het gebied van valbeveiliging.

³ **Regelmaat van inspectie:** Extreme werkomstandigheden (moeilijke omgevingen, langdurig gebruik, enz.) kunnen vereisen dat de frequentie van inspecties door deskundigen wordt opgevoerd.

3.0 MONTAGE

3.1 PLANNING: Plan uw valbeveiligingssysteem vóór de installatie van de driedelige Davit-basis met hoge capaciteit. Let op alle factoren die uw veiligheid kunnen beïnvloeden vóór, gedurende en na afloop van een val. Neem alle vereisten in sectie 2 en tabel 1 in acht om de juiste bevestigingen en plaatsing te bepalen voor het monteren van de driedelige Davit-basis met hoge capaciteit op de verankeringsconstructie.

- **Verankerung:** Een verankerung waarop de driedelige Davit-basis met hoge capaciteit wordt gemonteerd, moet voldoen aan de vereisten voor verankeringsbelasting gespecificeerd in sectie 2 en de vereisten voor verticale belasting in tabel 1.

3.2 MONTAGE VAN DE DRIEDELIGE DAVIT-BASIS MET HOGE CAPACITEIT: Afbeelding 5 geeft de installatie van de driedelige Davit-basis met hoge capaciteit weer. Monteer de driedelige Davit-basis met hoge capaciteit op een horizontaal oppervlak dat voldoet aan de sterktevereisten vermeld in tabel 1, bijvoorbeeld op een betonnen of stalen constructie:

1. Plaats de pootverbindingen (E) in het middelste gedeelte (H).
2. Leg het systeem op de grond op de plek waar het systeem ongeveer moet worden gebruikt en elimineer eventueel valgevaar.
3. Houd met de pootmontage (D) loodrecht op het middengedeelte (H) de pootmontage rechtop en til de pootverbinding (E) omhoog op de pootmontage (D) met behulp van de lipjes op de poten om de eindverbinding naar zijn plaats te leiden.
4. Plaats de koppelingspennen (I) waarmee de pootmontage (D) aan de pootverbinding (E) is bevestigd en bevestig met behulp van de gekoppelde lunspen.
5. Herhaal dit voor de andere poot.
6. Stel de montagebasis af op de gewenste breedte en breng de drukpennen (C) volledig in door het middelste gedeelte (H) waarmee de pootverbindingen (E) worden geborgd. Draai de uit drie delen bestaande schroeven (B) aan de achterkant van de middensectie (H) vast.
7. Stel de nivelleervoet (F) af om de montagebasis waterpas te maken met behulp van de aangesloten waterpas (J) om ervoor te zorgen dat de luchtbel zich binnen de referentiecirkel bevindt.

Controleer voor gebruik of alle pennen volledig zijn ingestoken en of de lunsoppen op hun plaats zitten. Zie afbeelding 4.

4.0 GEBRUIK

4.1 VOORAFGAAND AAN ELK GEBRUIK: Zorg ervoor dat uw werkgebied en persoonlijk systeem voor valbescherming (PFAS) voldoen aan alle criteria zoals gedefinieerd in Sectie 2 en dat er een formeel reddingsplan aanwezig is. Inspecteer de driedelige Davit-basis met hoge capaciteit volgens de 'gebruiker' inspectiepunten die zijn gedefinieerd in het "inspectie- en onderhoudslogboek" in tabel 2. Gebruik het systeem niet indien inspectie een onveilige of defecte conditie aan het licht brengt. Stel het systeem buiten dienst en vernietig het, of neem contact op met 3M aangaande de vervanging of reparatie van het systeem.

4.2 WERKGEBIED: De David-basis met hoge capaciteit van 3M mag alleen worden gebruikt in het toegestane werkgebied tussen de langste zijden van de pootmontages. Zie afbeelding 3.

Werkgebied: Het systeem kan onstabiel worden als het buiten het veilige werkgebied in afbeelding 3 wordt gebruikt.

5.0 INSPECTIE

5.1 INSPECTIEFREQUENTIE: De driedelige Davit-basis met hoge capaciteit moet worden geïnspecteerd volgens de intervallen die zijn gedefinieerd in Sectie 1. Inspectieprocedures worden beschreven in het 'Inspectie- en onderhoudslogboek' in tabel 2. Inspecteer alle andere componenten van het valbeveiligingssysteem volgens de frequenties en procedures die zijn vastgelegd in de instructies van de fabrikant.

5.2 DEFECTEN: Wanneer bij inspectie een onveilige of gebrekkige staat aan het licht wordt gebracht, moet u de driedelige Davit-basis met hoge capaciteit onmiddellijk buiten gebruik stellen en contact opnemen met 3M om mogelijkheden voor vervanging of reparatie te bespreken. Probeer het valstopsysteem niet te repareren.

Het systeem mag alleen door een geautoriseerd persoon gerepareerd worden: Alleen 3M of partners die hiervoor schriftelijk zijn geautoriseerd, mogen deze apparatuur repareren.

5.3 LEVENSDUUR PRODUCT: De functionele levensduur van het valstopsysteem wordt bepaald door werkomstandigheden en onderhoud. Zolang het product bij inspectie aan de criteria voldoet, kan het in gebruik blijven.

6.0 ONDERHOUD, BEHANDELING EN OPSLAG


6.1 SCHOONMAKEN: Reinig periodiek de metalen onderdelen van de driedelige David-basis met hoge capaciteit met een zachte borstel, warm water en een milde zeepoplossing. Zorg ervoor dat de onderdelen grondig worden gespoeld met schoon water.

6.2 SERVICE: Alleen 3M of partners die hiervoor schriftelijk door 3M zijn geautoriseerd, mogen deze apparatuur repareren. Indien de driedelige David-basis met hoge capaciteit onderhevig is geweest aan valkracht of indien inspectie onveilige of gebrekkige omstandigheden aan het licht brengt, moet u het systeem buiten gebruik stellen en contact opnemen met 3M voor vervanging of reparatie.

6.3 OPSLAG EN TRANSPORT: Wanneer niet wordt gebruikt, dient u de driedelige David-basis met hoge capaciteit en bijbehorende valbeschermingsapparatuur op te slaan en te vervoeren in een koele, droge, schone omgeving en buiten bereik van direct zonlicht. Vermijd plekken waar chemische dampen kunnen voorkomen. Inspecteer de onderdelen grondig na een langdurige opslag.

7.0 LABELS

Afbeelding 6 geeft labels op de driedelige Davit-basis met hoge capaciteit weer. Labels moeten worden vervangen wanneer ze niet volledig leesbaar zijn. Elk label bevat de volgende informatie:

	Lees alle instructies.
①	A) Gefabriceerd (jaar, maand) B) Modelnummer C) Serienummer
②	Veilig werkgebied.
③	Waarschuwing met betrekking tot de penbevestiging
④	Certificering CE-normen
⑤	Certificering AS/NZS-normen
⑥	EN1496:2006 Klasse B
⑦	8000104 Maximale Davitarm-afstand, Persoonlijk systeem voor valbescherming (PFAS), capaciteit materiaalhantering
⑦	8000105 Maximale Davitarm-afstand, Persoonlijk systeem voor valbescherming (PFAS), capaciteit materiaalhantering

Tabel 3 – Inspectie- en onderhoudslogboek

Inspectiedatum:		Geïnspecteerd door:	
Componenten:	Inspectie: <i>(Zie sectie 1 voor inspectiefrequentie)</i>	Gebruiker	Deskundige ¹
Driedelig Davit-basis met hoge capaciteit (Afbeelding 2)	Inspecteer de driedelige Davit-basis met hoge capaciteit op scheuren, deuken of misvormingen.	<input type="checkbox"/>	<input type="checkbox"/>
	Inspecteer de gehele unit op excessieve corrosie.	<input type="checkbox"/>	<input type="checkbox"/>
	Controleer of de koppelingspennen en drukpennen volledig zijn ingebracht en zo nodig zijn vastgezet met lunsennen.	<input type="checkbox"/>	<input type="checkbox"/>
Labels afbeelding 7	Controleer of alle labels stevig zijn bevestigd en goed leesbaar zijn (zie 'Labels').	<input type="checkbox"/>	<input type="checkbox"/>
PFAS en andere apparatuur	Aanvullend Persoonlijk systeem voor valbescherming (PFAS) (Personal Fall Arrest System (PFAS) (harnas, SRL, enz.) die met de HC driedelige David-basis wordt gebruikt, moet volgens de instructies van de fabrikant worden geïnstalleerd en geïnspecteerd.	<input type="checkbox"/>	<input type="checkbox"/>

Serienummer(s):	Aankoopdatum:
Modelnummer:	Datum van eerste gebruik:
Oplossing/Onderhoud:	Goedgekeurd door:
	Datum:
Oplossing/Onderhoud:	Goedgekeurd door:
	Datum:
Oplossing/Onderhoud:	Goedgekeurd door:
	Datum:
Oplossing/Onderhoud:	Goedgekeurd door:
	Datum:
Oplossing/Onderhoud:	Goedgekeurd door:
	Datum:
Oplossing/Onderhoud:	Goedgekeurd door:
	Datum:
Oplossing/Onderhoud:	Goedgekeurd door:
	Datum:
Oplossing/Onderhoud:	Goedgekeurd door:
	Datum:
Oplossing/Onderhoud:	Goedgekeurd door:
	Datum:
Oplossing/Onderhoud:	Goedgekeurd door:
	Datum:
Oplossing/Onderhoud:	Goedgekeurd door:
	Datum:
Oplossing/Onderhoud:	Goedgekeurd door:
	Datum:
Oplossing/Onderhoud:	Goedgekeurd door:
	Datum:
Oplossing/Onderhoud:	Goedgekeurd door:
	Datum:

1 Deskundige: Een persoon die in staat is om bestaande en voorspelbare gevaren in de werkomgeving of -omstandigheden te identificeren die onhygiënisch, gevaarlijk of riskant zijn voor werknemers, en die bevoegd is om direct corrigerende acties te ondernemen om gevaren te elimineren.

SIKKERHETSINFORMASJON

Vennligst les, forstå og følg all sikkerhetsinformasjon i disse instruksjonene før du tar i bruk denne inngangs- og redningsenheten for trange rom. **UNNLATELSE AV Å GJØRE DETTE KAN FØRE TIL ALVORLIG SKADE ELLER DØD.**

Disse instruksjonene må gis til brukeren av utstyret. Ta vare på disse instruksjonene for fremtidig referanse.

Tilsiktet bruk:

Denne inngangs- og redningsenheten for trange rom er beregnet for bruk som del av et komplett personlig fallsikrings- og/eller redningssystem.

Bruk i en hvilken som helst annen sammenheng inkludert, men ikke begrenset til, materialhåndtering, fritidsbruk eller idrettsrelaterte aktiviteter, eller andre aktiviteter som ikke beskrives i Brukerinstruksjonene eller Installeringsinstruksjonene, er ikke godkjent av 3M og kan resultere i alvorlig personskade eller død.

Denne innretningen skal bare brukes av opplærte brukere i arbeidsplassanvendelser.

ADVARSEL

Denne inngangs- og redningsenheten for trange rom er del av et personlig fallsikrings- og/eller redningssystem. Det forventes at alle brukere er fullt opplært i sikker installering og betjening av det fullstendige systemet. **Misbruk av denne innretningen kan resultere i alvorlig personskade eller død.** For riktig utvelgelse, betjening, installering, vedlikehold og service, se alle produktinstruksjoner, inkludert alle produsentens anbefalinger, snakk med din arbeidsleder, eller kontakt 3M Tekniske tjenester.

- **For å redusere risikoene som er forbundet med å arbeide med en inngangs- og redningsenhet for trange rom som, om de ikke unngås, kan resultere i alvorlig personskade eller død:**
 - Inspiser innretningen før hver bruk, minst én gang årlig, og etter enhver fallhendelse. Inspiser i samsvar med bruksanvisningene.
 - Hvis inspeksjonen avdekker en utrygg eller defekt tilstand, må enheten tas ut av tjeneste og du må ta kontakt med et autorisert servicesenter for å få den reparert.
 - Enhver innretning som er blitt belastet som følge av fall eller støtkrefter, må umiddelbart tas ut av bruk og destrueres. Se Brukerinstruksjonene eller ta kontakt med 3M Fallsikring.
 - Innretningen må kun være installert på den måten som spesifiseres i Installeringsinstruksjonene eller Brukerinstruksjonene. Installeringer og bruk utenfor rammen av instruksjonene må godkjennes skriftlig av 3M Fallsikring.
 - Det underlag eller den struktur som innretningen er festet til må være i stand til å motstå de statiske belastningene som spesifiseres for innretningen i orienteringer tillatt i Brukerinstruksjonene eller Installeringsinstruksjonene.
 - Ikke overskrid antall tillatte brukere.
 - Utfør aldri arbeid under en opphengt last eller arbeider.
 - Utvis forsiktighet ved installering, bruk og flytting av innretningen da bevegelige deler vil kunne skape potensielle klemmepunkter. Se Brukerinstruksjonene.
 - Sørg for at ordentlige utestengningsprosedyrer er blitt fulgt slik de skal.
 - Fest deg aldri til et system før det er posisjonert, fullstendig montert, justert og installert. Ikke juster systemet mens en bruker er festet.
 - Fallsikringsundersystemene må bare kobles til det angitte ankringskoblingspunkt på innretningen.
 - Før boring eller fastgjøring, se til at ingen elektriske ledninger, gassledninger eller andre kritiske innebygde systemer vil komme i kontakt med boret eller innretningen.
 - Sørg for at fallsikringsystemer/undersystemer som er satt sammen av komponenter fremstilt av forskjellige produsenter er kompatible og oppfyller kravene i gjeldende standarder, inkludert ANSI Z359 eller andre gjeldende fallsikringsnormer, standarder, eller krav. Rådfør deg alltid med en kompetent eller kvalifisert person før du bruker disse systemene.
- **For å redusere risikoen som er forbundet med arbeid i høyden, om det ikke unngås, kan resultere i alvorlig personskade eller død:**
 - Sørg for at din helse og fysiske tilstand gjør det mulig for deg sikkert å motstå alle de krefter som er forbundet med arbeid i høyden. Rådfør deg med legen din hvis du har noen spørsmål angående din evne til å bruke dette utstyret.
 - Du må aldri overskride tillatt kapasitet for ditt fallsikringsutstyr.
 - Du må aldri overskride maksimal frifallavstand for ditt fallsikringsutstyr.
 - Ikke bruk noe fallsikringsutstyr som ikke består inspeksjoner før bruk eller andre planmessige inspeksjoner, eller dersom du har bekymringer om bruken, eller om hvor egnet utstyret kan være for ditt bruksområde. Kontakt 3M Tekniske tjenester med eventuelle spørsmål.
 - Noen delsystemer og delekombinasjoner kan hindre bruken av dette utstyret. Bruk kun kompatible koblinger. Kontakt 3M dersom dette utstyret blir brukt sammen med andre komponenter eller delsystemer enn de som beskrives i Brukerinstruksjonene.
 - Utvis ekstra forsiktighet når du arbeider rundt bevegelige maskiner (f.eks. rotasjonssystem for oljerigger), elektriske farer, ekstreme temperaturer, kjemiske farer, eksplosive eller giftige gasser, skarpe kanter eller i underkant av overhengende materialer som kan falle ned på deg eller ditt fallsikringsutstyr.
 - Bruk lysbueflamme eller Hot Works-innretninger når du arbeider i miljøer med høy varme.
 - Unngå overflater og gjenstander som kan skade brukeren eller utstyret.
 - Sørg for at det er tilstrekkelig fallklaring når du arbeider i høyden.
 - Du må aldri modifisere eller endre på ditt fallsikringsutstyr. Bare 3M eller virksomheter med skriftlig godkjennelse fra 3M kan reparere dette utstyret.
 - Før bruk av fallsikringsutstyr, pass på at det finnes en redningsplan som muliggjør rask redning hvis et falluhell skulle inntreffe.
 - Hvis et falluhell inntreffer, søk umiddelbart medisinsk hjelp for den arbeideren som har falt.
 - Ikke bruk støttebelter til fallstoppbruk. Bruk kun en helkroppssele.
 - Minimer svingfall ved å arbeide så rett under forankringspunktet som mulig.
 - Hvis du trener med denne innretningen, må et sekundært fallsikringsystem benyttes på en slik måte at det ikke eksponerer lærlingen for en utilsiktet fallfare.
 - Ha alltid på hensiktsmessig personlig verneutstyr når du installerer, bruker eller inspiserer innretningen/systemet.

Skriv ned produktidentifikasjonen fra ID-merket i inspeksjons- og vedlikeholdsloggen (tabell 2) på baksiden av denne veiledningen før installasjon og bruk av utstyret.

PRODUKTBEKRIVELSE:

Figur 1 viser et 3M™ DBI-SALA® høykapasitets davitholder i tre deler for adgang/redning i trange rom. Davitholderen i tre deler skal monteres på en horisontal flate og holder en kompatibel 3M DBI-SALA-davit for adgang/redning i trange rom.

Figur 2 viser komponentene til davitholderen i tre deler som er spesifisert i tabell 1. Davitholderen består av en senterdel (H) med en integrert davithylse (A), samt justerbare benkoblinger (E) på hver side som er låst i ønsket bredde med sikringsstifter (C) og Tri-skruer (B). Benenhetene (D) er festet til benkoblingene (E) med koblingssplinter (I) og kan høydejusteres med de justerbare føttene (F) ved bruk av justeringshåndtakene (G).

Tabell 1 – Spesifikasjoner

Davitholderens spesifikasjoner:		
Dimensjoner	Se figur 1 for davitholderens dimensjoner	
Davitholderens vekt	8000104 37,5 kg (82,7 lbs) 8000105 50,5 kg (111,3 lbs)	
Kompatibilitet	Davitholderne som beskrives i denne anvisningen er compatible med 3M™ DBI-SALA®s høykapasitets (HC) davitsystemer med kort og lang rekkevidde.	
Minimum monteringskrav:		
Vertikalbelastning pr. konstruksjon:	13,8 Kn (3100 lbs)	
Komponentspesifikasjoner:		
Figur 2 – Referanse	Komponent	Materialer
Ⓐ	Davithylse	Aluminium med polyetylen med høy tetthet
Ⓑ	Tri-skruer	Forsinket og pulverbelagt stål
Ⓒ	Sikringsstifter	Forsinket stål
Ⓓ	Benenheter	Aluminium og forsinket stål
Ⓔ	Benkoblinger	Aluminium
Ⓕ	Justerbare føtter	Forsinket stål
Ⓖ	Justeringshåndtak	Forsinket stål
Ⓗ	Midtdel	Aluminium
Ⓘ	Koblingssplinter	Forsinket stål
Ⓙ	Libelle	
Vektkapasiteter:		
Materialhåndteringskapasitet	205 kg (452 lbs)	

1.0 PRODUKTETS BRUKSOMRÅDE

- 1.1 FORMÅL:** Davitsoklene er monteringspunkter som er kompatible med og designet for 3M-davitsystemer. Les den respektive brukerveiledningen for davitsystemet for informasjon om systembruk og funksjonalitet.
- 1.2 STANDARDER:** Davitsokkelen oppfyller kravene til nasjonale standarder som oppgis på omslaget til denne brukerveiledningen. Hvis dette produktet selges utenfor det opprinnelige destinasjonslandet, må forhandleren stille disse instruksjonene til rådighet på språket i det aktuelle landet der produktet vil bli brukt.
- 1.3 INSTALLASJON OG KONTROLL:** Installasjonen av davitsokkelen skal kontrolleres av en kvalifisert person¹. En kvalifisert person² må bekrefte at de strukturelle installasjonene er i henhold til lokale og føderale forskrifter. En kvalifisert person må anbefale passende festemidler og bestemme riktig plassering av davitsokkelen. Bruk av det monterte fallsikringsutstyret for davitsystemet må kontrolleres av en kompetent person.
- 1.4 ARBEIDSSTEDSDOKUMENTASJON:** Etter montering og installering av davitsoklene, må Installasjonsdokumentasjon som tilfredsstillende informasjonskravene i EN795 Vedlegg A være utfylt av installatøren og overlevert til brukerens avviste representant. Installasjonsdokumentasjonen bør oppbevares på arbeidsstedet slik at det er tilgjengelig ved eventuell senere inspeksjon.
- 1.5 OPPLÆRING:** Dette utstyret er beregnet på å skulle monteres og brukes av personer som har fått opplæring i dets riktige bruksområder. Denne håndboken kan brukes til en del av et opplæringsprogram for ansatte og/eller regionale forskrifter. Brukeren og montørene av dette utstyret har ansvar for å gjøre seg kjent med disse anvisningene, få opplæring i riktig pleie og bruk av dette utstyret, og er klar over bruksegenskaper, bruksbegrensninger og følgene av uriktig bruk av dette utstyret.
- 1.6 REDNINGSPLAN:** Når det monterte fallsikringsutstyret for davitsystemet brukes, må arbeidsgiver ha en redningsplan og redningsutstyr tilgjengelig, og informere til brukere, autoriserte personer og redningsmannskaper om dette. Et opplært redningsteam på stedet anbefales. Teammedlemmer skal forsynes med utstyr og teknikker til å utføre en vellykket redning. Det bør gis regelmessig opplæring for å sikre at redningspersonens kunnskaper opprettholdes.
- 1.7 INSPEKSJONSINTERVALLER:** Davitsokkelen skal kontrolleres av brukeren før enhver bruk, i tillegg til en annen kompetent person annen enn brukeren, i intervaller på ikke lenger enn ett år.³ Prosedyrene for inspeksjon beskrives i «*Inspeksjons- og vedlikeholdslogg*». Resultatene fra hver inspeksjon utført av kompetent person bør registreres i kopier av «*Inspeksjons- og vedlikeholdslogg*».

2.0 SYSTEMKRAV

- 2.1 ANKERFESTE OG FESTEMIDLER:** Strukturer og festemidler (festemidler når det er relevant) som brukes til å feste davitsokkelen, må overholde kravene som er gitt i tabell 1 under «Monteringskrav».
- 2.1 KOMPONENTKOMPATIBILITET:** Utstyr fra 3M er kun laget for bruk sammen med andre komponenter og delsystemer fra 3M. Utskifting eller erstatning med ikke-godkjente komponenter og delsystemer kan påvirke utstyrets kompatibilitet, som kan gå ut over sikkerheten og påliteligheten til hele systemet.
- 2.2 PERSONLIG FALLSIKRINGSSYSTEM:** Personlige fallsikringssystemer (PFAS) som brukes med systemet, skal oppfylle gjeldende fallbeskyttelsesstandarder, koder og krav. PFAS skal bruke en hel kroppssele integrert og begrense sikringskraft til følgende verdier:

	Maksimal sikringskraft	Fritt fall
PFAS med støtabsorberende livline	6 kN (1350 lb)	Se instruksjonen(e) som følger med livlinen
PFAS med selvinntrekkende enhet (SRD)	6 kN (1350 lb)	din eller SRD for begrensninger på fritt fall.

- 2.3 FARER:** Bruk av dette utstyret i risikable arbeidsmiljøer kan kreve at det benyttes tilleggssikring for å unngå skade på bruker eller utstyr. Se brukerveiledningen for 3M-davitmasten om spesifikke farer som kan ha betydning for bruken av systemet.

¹ **Kvalifisert person:** En som er i stand til å identifisere eksisterende og mulige farer i omgivelsene eller arbeidsforhold som er uhygieniske, risikable eller farlige for ansatte, og som har autoritet til å utbedre eller eliminere dem.

² **Kvalifisert person:** En person med anerkjent grad eller fagsertifikat, og utstrakt erfaring med fallsikring. Denne personen må kunne designe, analysere, evaluere og gi spesifikasjoner om fallsikring.

³ **Inspeksjonsintervaller:** Ekstreme arbeidsforhold (vanskelige omgivelser, langvarig bruk osv.) kan gjøre det nødvendig med hyppigere inspeksjoner utført av en kompetent person.

3.0 MONTERING

3.1 PLANLEGGING: Planlegg fallsikringssystemet før installasjon av davitholderen. Vurder faktorer som kan påvirke sikkerheten din før, under og etter et fall. Overhold alle krav som er definert i del 2 og tabell 1 for å velge riktige festemidler og monteringssted for davitholderen på forankringskonstruksjonen.

- **Forankring:** Konstruksjonen som davitholderen monteres på må oppfylle kravene til forankringsbelastning som er spesifisert i del 2 samt kravene til vertikal belastning i tabell 1.

3.2 MONTERING AV DAVITHOLDEREN FIGUR 5 VISER HVORDAN DAVITHOLDEREN INSTALLERES. Davitholderen monteres på en horisontal flate som oppfyller styrkekravene som er angitt i tabell 1, f.eks. på en betong- eller stålkonstruksjon:

1. Sett benkoblingene (S) i senterdelen (M).
2. Legg systemet på gulvet i området hvor det er ment å brukes for å fjerne en eventuell fallrisiko.
3. Hold benenheten (D) vinkelrett og stående i forhold til senterdelen (H). Løft benkoblingen (E) opp på benmonteringen (D) ved bruk av utstikkerne på bena til å føre endekoblingene på plass.
4. Sett inn koblingssplintene (I). Fest benenheten (D) til benkoblingen (E) og fest med den vedlagte akselpinnen.
5. Gjenta for benenheten på motsatt side.
6. Juster holderheten til ønsket bredde og før sikringsstiftene (C) helt gjennom senterdelen (H) for å feste benkoblingene (E). Stram tri-skruene (B) på baksiden av senterdelen (H).
7. Juster nivelleringsfoten (F) slik at holderenheten er i vater, og påse at den vedlagte libellen (J) er innenfor referansesirkelen.

Kontroller at alle stifter og splinter er satt helt inn og sørg for at akselpinnene er på plass før bruk. Se figur 4.

4.0 BRUK

4.1 FØR HVER BRUK: Kontroller at arbeidsområdet og det personlige fallsikringssystemet (PFAS) oppfyller alle kriteriene som er definert i del 2 og at det finnes en formell redningsplan. Inspiser davitholderen i henhold til inspeksjonspunktene under «Bruker» i *inspeksjons- og vedlikeholdsloggen* i tabell 2. Hvis kontrollen avdekker en utrygg eller defekt tilstand, skal ikke systemet brukes. Ta systemet ut av drift og kontakt 3M vedrørende utskifting eller reparasjon.

4.2 ARBEIDSOMRÅDE: 3Ms davitholder må kun brukes i det tillatte arbeidsområdet mellom de lengste sidene av benenhetene. Se figur 3.

Arbeidsområde: Systemet kan bli ustabil hvis det brukes utenfor det sikre arbeidsområdet vist i figur 3.

5.0 INSPEKSJON

5.1 INSPEKSJONSINTERVALLER: Davitholderen må kontrolleres ved de intervallene som er definert i del 1. Prosedyrene for inspeksjon beskrives i *inspeksjons- og vedlikeholdsloggen* i tabell 2. Inspiser alle andre komponenter i fallsikringssystemet i henhold til intervallene og prosedyrene som er angitt i produsentens instruksjoner.

5.2 DEFEKTER: Hvis inspeksjonen avdekker en utrygg eller defekt tilstand, skal davitholderen umiddelbart tas ut av bruk og 3M skal kontaktes om utskifting eller reparasjon. Ikke prøv å reparere fallsikringssystemet.

Kun autorisert reparasjon: Kun 3M eller virksomheter med skriftlig godkjenning fra 3M kan reparere dette utstyret.

5.3 PRODUKTETS LEVETID: Den funksjonelle levetiden for fallsikringssystemer avhenger av arbeidstilstander og vedlikehold. Så lenge produktet oppfyller inspeksjonskriteriene, kan det brukes.

6.0 VEDLIKEHOLD, SERVICE, OPPBEVARING


6.1 RENGJØRING: Rengjør davitholderens metallkomponenter med jevne mellomrom med en myk børste, varmt vann og en mild såpeløsning. Skyll delene godt med rikelige mengder rent vann.

6.2 SERVICE: Kun 3M eller virksomheter med skriftlig godkjenning fra 3M kan reparere dette utstyret. Hvis davitholderen har blitt utsatt for fallkrefter eller en inspeksjon avdekker en utrygg eller defekt tilstand, skal systemet umiddelbart tas ut av bruk og 3M kontaktes vedrørende utskifting eller reparasjon.

6.3 OPPBEVARING OG TRANSPORT: Når davitholderen og tilknyttet fallsikringsutstyr ikke er i bruk, skaldet oppbevares og transporteres i et kjølig, tørt og rent miljø som er beskyttet mot direkte sollys. Unngå områder der det kan finnes gasser fra kjemikalier. Gjennomfør en grundig inspeksjon av komponenter etter langvarig oppbevaring.

7.0 MERKING

Figur 6 viser etikettene på davitholderen. Etikettene må skiftes ut hvis de ikke er fullt leselige. Informasjonen på hver etikett er som følger:

	Les alle instruksjoner.
1	A) Produsert (år, måned) B) Modellnummer C) Serienummer
2	Sikkert arbeidsområde.
3	Advarsel for festing av stifter
4	Sertifisering iht. CE-standarder
5	Sertifisering iht. AS/NZS-standarder
6	EN1496:2006 klasse B
7	8000104 Maksimal davitarmforskyvning, Personlig fallsikringssystem (PFAS), Materialhåndteringskapasitet
7	8000105 Maksimal davitarmforskyvning, Personlig fallsikringssystem (PFAS), Materialhåndteringskapasitet

Tabell 3 – Inspeksjons- og vedlikeholdslogg

Inspeksjonsdato:		Inspisert av:	
Komponenter:	Inspeksjon: (Se del 1 for inspeksjonsintervaller)	Bruker	Kvalifisert person ¹
Høykapasitets davitholder i tre deler (Figur 2)	Inspiser davitholder for sprekker, merker eller deformiteter.	<input type="checkbox"/>	<input type="checkbox"/>
	Kontroller hele enheten for kraftig korrosjon.	<input type="checkbox"/>	<input type="checkbox"/>
	Kontroller at koblingsplinter og sikringsstifter er satt helt inn og sikret med akselpinner ved behov.	<input type="checkbox"/>	<input type="checkbox"/>
Etiketter figur 7	Kontroller at alle etiketter er sikkert festet og leselige (se «Merking»).	<input type="checkbox"/>	<input type="checkbox"/>
PFAS og annet utstyr	Ekstra PFAS-utstyr (sele, SRL, osv.) som brukes sammen med davitholderen skal monteres og inspiseres i henhold til produsentens instruksjoner.	<input type="checkbox"/>	<input type="checkbox"/>
Serienummer(e):		Kjøpsdato:	
Modellnummer:		Dato for førstegangsbruk:	
Korrigerende tiltak / vedlikehold:		Godkjent av:	
		Dato:	
Korrigerende tiltak / vedlikehold:		Godkjent av:	
		Dato:	
Korrigerende tiltak / vedlikehold:		Godkjent av:	
		Dato:	
Korrigerende tiltak / vedlikehold:		Godkjent av:	
		Dato:	
Korrigerende tiltak / vedlikehold:		Godkjent av:	
		Dato:	
Korrigerende tiltak / vedlikehold:		Godkjent av:	
		Dato:	
Korrigerende tiltak / vedlikehold:		Godkjent av:	
		Dato:	
Korrigerende tiltak / vedlikehold:		Godkjent av:	
		Dato:	
Korrigerende tiltak / vedlikehold:		Godkjent av:	
		Dato:	
Korrigerende tiltak / vedlikehold:		Godkjent av:	
		Dato:	

1 Kvalifisert person: En som er i stand til å identifisere eksisterende og mulige farer i omgivelsene eller arbeidsforhold som er uhygieniske, risikable eller farlige for ansatte, og som har myndighet til å utbedre eller fjerne dem.

INFORMACJE DOTYCZĄCE BEZPIECZEŃSTWA

Przed użyciem tego urządzenia do dostępu i wydobywania z pomieszczeń o ograniczonej przestrzeni należy dokładnie zapoznać się ze zrozumieniem i przestrzegać wszystkie informacje dotyczące bezpieczeństwa, jakie zawarto w niniejszej instrukcji. **ZIGNOROWANIE TEGO WYMAGANIA MOŻE SKUTKOWAĆ POWAŻNYMI URAZAMI CIAŁA LUB ŚMIERCIĄ.**

Te instrukcje muszą być udostępnione użytkownikowi tego urządzenia. Instrukcje należy zachować do wykorzystania w przyszłości.

Przeznaczenie:

To urządzenie do dostępu i wydobywania z pomieszczeń o ograniczonej przestrzeni stanowi część kompletnego systemu ochrony osób przed upadkiem lub systemem ratunkowego.

Wykorzystanie urządzenia w jakimkolwiek innym celu, np. do niezatwierdzonego przenoszenia ładunków, rekreacji lub sportu bądź w innych celach nieopisanych w instrukcji użytkownika lub instrukcji instalacji nie jest zatwierdzone przez 3M i może skutkować poważnymi urazami ciała lub śmiercią.

To urządzenie może być wykorzystywane wyłącznie przez przeszkolonych użytkowników w miejscu pracy.



OSTRZEŻENIE

To urządzenie do dostępu i wydobywania z pomieszczeń o ograniczonej przestrzeni stanowi część systemu ochrony osób przed upadkiem lub systemem ratunkowego. Oczekujemy, że wszyscy użytkownicy zostaną w pełni przeszkoleni w zakresie bezpiecznej instalacji i obsługi kompletnego systemu. **Nieprawidłowe użytkowanie tego urządzenia może prowadzić do poważnych urazów ciała lub śmierci.** Aby zapewnić prawidłowy dobór, obsługę, instalację, konserwację i serwis urządzenia, należy zapoznać się ze wszystkimi instrukcjami produktu oraz wszystkimi zaleceniami producenta, skontaktować się z przełożonym lub z serwisem technicznym firmy 3M.

- **Aby ograniczyć ryzyko związane z pracą z urządzeniem do dostępu i wydobywania z pomieszczeń o ograniczonej przestrzeni, które może skutkować poważnymi urazami ciała lub śmiercią:**
 - Należy sprawdzić urządzenie przed każdym użyciem, co najmniej raz w roku oraz po każdym zatrzymaniu upadku przez urządzenie. Przeglądy muszą odbywać się zgodnie z instrukcją użytkownika.
 - Jeśli kontrola ujawni jakiegokolwiek zagrożenia lub wady, natychmiast wycofaj urządzenie z eksploatacji i poddaj je naprawie lub wymień zgodnie z instrukcją użytkownika.
 - Każde urządzenie, które zostało użyte do zabezpieczenia przed upadkiem bądź zostało poddane działaniu dużych sił, musi zostać natychmiast wycofane z eksploatacji. Patrz instrukcja użytkownika lub skontaktuj się z działem 3M Fall Protection.
 - Urządzenie musi być zainstalowane w sposób opisany w instrukcji instalacji lub instrukcji użytkownika. Instalacja i zastosowania wykraczające poza zakres instrukcji muszą zostać zatwierdzone na piśmie przez dział 3M Fall Protection.
 - Podłoże lub konstrukcja, do której urządzenie jest przymocowane, musi być w stanie utrzymać statyczne obciążenia określone dla urządzenia w orientacjach dozwolonych w instrukcji użytkownika lub instrukcji instalacji.
 - Nie przekraczać dozwolonej liczby użytkowników.
 - Nigdy nie należy pracować poniżej zawieszono ładunku lub pracownika.
 - Należy zachować ostrożność podczas instalowania, używania i przenoszenia urządzenia, ponieważ ruchome części mogą powodować powstawanie punktów przycięcia. Patrz instrukcja użytkownika.
 - Należy zapewnić przestrzeganie odpowiednich procedur blokowania/oznaczenia.
 - Nigdy nie przypinać się do systemu, zanim zostanie umiejscowiony, w pełni zmontowany, wyregulowany i zainstalowany. Nie regulować systemu po przypięciu użytkownika.
 - Podsystemy zabezpieczenia przed upadkiem należy podłączać wyłącznie do wyznaczonych punktów kotwiczących na urządzeniu.
 - Przed wierceniem lub przymocowaniem należy zapewnić, że wiertło oraz urządzenie nie będą stykać się z przewodami elektrycznymi lub gazowymi ani innymi krytycznymi systemami wbudowanymi.
 - Należy upewnić się, że systemy ochrony przed upadkiem/zintegrowane podsystemy, złożone z komponentów pochodzących od różnych producentów, są kompatybilne i spełniają wymagania obowiązujących norm, w tym normy ANSI Z359 lub innych obowiązujących przepisów, norm i wymagań dotyczących ochrony przed upadkiem. Przed użyciem tych systemów należy zawsze skonsultować się z kompetentną lub przeszkoloną osobą.
- **Aby ograniczyć ryzyko związane z pracą na wysokości, które może skutkować poważnymi urazami ciała lub śmiercią:**
 - Należy upewnić się, że warunki fizyczne i zdrowotne pracownika umożliwiają bezpieczne znoszenie wszelkich sił oddziałujących w przypadku pracy na wysokości. W przypadku pytań dotyczących korzystania z tego sprzętu należy skonsultować się z lekarzem.
 - Nigdy nie wolno przekraczać dopuszczalnego udźwigu sprzętu zabezpieczającego.
 - Nigdy nie wolno przekraczać maksymalnego dystansu swobodnego upadku danego sprzętu zabezpieczającego.
 - Nie wolno używać sprzętu chroniącego przed upadkiem, który nie przeszedł pomyślnie kontroli okresowej lub przed oddaniem go do użytku albo jeśli użytkownik ma wątpliwości dotyczące korzystania lub przydatności sprzętu w danej aplikacji. W razie pytań należy kontaktować się z działem pomocy technicznej firmy 3M.
 - Niektóre połączenia podsystemów i elementów mogą niekorzystnie wpływać na działanie tego sprzętu. Stosować wyłącznie zgodne rodzaje połączeń. Przed zastosowaniem tego sprzętu w połączeniu z elementami lub podsystemami innymi niż opisane w instrukcji użytkownika należy skonsultować się z firmą 3M.
 - Należy stosować zwiększone środki ostrożności podczas pracy w pobliżu ruchomego sprzętu (np. górnych napędów wiertnic), źródeł zagrożeń elektrycznych, skrajnych temperatur, zagrożeń chemicznych, zagrożenia wybuchem lub toksycznych gazów, ostrych krawędzi, lub pod obiektami znajdującymi się nad użytkownikiem, które mogą spaść na użytkownika lub na sprzęt zabezpieczający przed upadkiem.
 - W przypadku wykonywania prac w miejscach, w których występują wysokie temperatury, należy używać urządzeń z łukiem elektrycznym lub do prac gorących.
 - Należy unikać powierzchni i obiektów, które mogą spowodować urazy ciała użytkownika lub uszkodzenie sprzętu.
 - Należy zapewnić wystarczającą wolną przestrzeń dla upadku w przypadku prowadzenia prac na wysokościach.
 - Nigdy nie wolno modyfikować ani przerabiać sprzętu zabezpieczającego przed upadkiem. Sprzęt może być naprawiany tylko przez firmę 3M lub podmioty upoważnione przez nią na piśmie.
 - Przed użyciem sprzętu zabezpieczającego przed upadkiem należy upewnić się, że obowiązują odpowiednie procedury ratownicze zapewniające podjęcie odpowiednich działań ratowniczych w razie upadku.
 - Jeśli dojdzie do upadku, osobie poszkodowanej należy natychmiast zapewnić pomoc medyczną.
 - W przypadku zastosowań związanych z zabezpieczeniem przed upadkiem nie stosować pasów na całe ciało. Należy wyłącznie używać szelek bezpieczeństwa na całe ciało.
 - Należy minimalizować zagrożenie upadku w wyniku zakotwienia, pracując tak blisko punktu kotwiczącego, jak to możliwe.
 - Podczas czynności szkoleniowych związanych z tym urządzeniem konieczne jest stosowanie pomocniczego systemu zabezpieczającego przed upadkiem, tak aby nie narazić szkolonego pracownika na ryzyko upadku.
 - Zawsze należy nosić odpowiedni sprzęt ochrony osobistej podczas instalowania, użytkowania lub przeprowadzania inspekcji urządzenia/systemu.

Przed przystąpieniem do instalacji i użytkowania urządzenia należy zapisać dane produktu zawarte na etykiecie identyfikacyjnej w Dzienniku przeglądów i konserwacji (tabela 2) zamieszczonym na końcu niniejszej instrukcji.

OPIS PRODUKTU:

Na rysunku 1 przedstawiono trzyczęściową podstawę żurawika o wysokiej nośności przeznaczoną do dostępu i wydobywania z ciasnych pomieszczeń, 3M™ DBI-SALA®. Trzyczęściowa podstawa żurawika o wysokiej nośności przeznaczona jest do montażu na poziomej powierzchni oraz jest wyposażona w maszt kompatybilnego żurawika o wysokiej nośności przeznaczonego do dostępu i wydobywania z ciasnych pomieszczeń 3M DBI-SALA.

Na rysunku 2 przedstawiono elementy trzyczęściowej podstawy żurawika o wysokiej nośności opisanego w tabeli 1. Trzyczęściowa podstawa żurawika o wysokiej nośności składa się z części środkowej (H) ze zintegrowanym wkładem żurawika (A), z regulowanymi przesuwne złączami nóg (E) po obu stronach, które są blokowane na żądanej szerokości za pomocą trzpieni blokujących (C), a także śrub z potrójnym uchwytem gwiazdkowym (B). Zespoły nóg (D) mocuje się do złączy nóg (E) za pomocą trzpieni zaczepowych (I) oraz można je dopasować na wysokość dzięki regulowanym stopkom (F) z użyciem uchwytów regulacyjnych (G).

Tabela 1 – dane techniczne

Dane techniczne podstawy żurawika:		
Wymiary:	Wymiary podstawy żurawika są podane na rysunku 1	
Masa podstawy żurawika	8000104 37,5 kg (82,7 lb) 8000105 50,5 kg (111,3 lb)	
Kompatybilność	Podstawy żurawika opisane w tej instrukcji są kompatybilne z systemami żurawików krótkiego i długiego zasięgu o wysokiej nośności 3M™ DBI-SALA®.	
Obciążenie pionowe na konstrukcję:	13,8 kN (3100 lb)	
Specyfikacje elementów:		
Rysunek 2 dotyczy następujących elementów	Element	Materiały
Ⓐ	Tuleja żurawika	Aluminium z polietylenem o dużej gęstości
Ⓑ	Śruba z potrójnym uchwytem gwiazdkowym	Stal ocynkowana i malowana proszkowo
Ⓒ	Trzpień blokujący	Stal ocynkowana
Ⓓ	Zespoły nóg	Aluminium i stal ocynkowana
Ⓔ	Złącza nóg	Aluminium
Ⓕ	Regulowane stopki	Stal ocynkowana
Ⓖ	Uchwyty regulacyjne	Stal ocynkowana
Ⓗ	Część środkowa	Aluminium
Ⓘ	Trzpień zaczepowy	Stal ocynkowana
⓵	Pęcherzyk poziomujący	
Udźwig:		
Udźwig	205 kg (452 lb)	

1.0 ZASTOSOWANIE PRODUKTU

- 1.1 CEL:** Podstawy żurawików zostały zaprojektowane jako punkty montażowe dla kompatybilnych systemów żurawików firmy 3M. Informacje dotyczące korzystania z systemu oraz jego funkcji są podane w odpowiedniej instrukcji systemu żurawika.
- 1.2 NORMY:** Podstawa żurawika spełnia wymagania krajowych i regionalnych norm wskazanych na okładce niniejszej instrukcji. Jeśli niniejszy produkt podlega odsprzedaży poza pierwotnym krajem przeznaczenia, odsprzedawca powinien dostarczyć niniejszą instrukcję w języku używanym w kraju użytkownika tego produktu.
- 1.3 INSTALACJA I NADZÓR:** Instalacja podstawy żurawika musi być nadzorowana przez kompetentną osobę¹. Wykwalifikowana osoba² musi zweryfikować, czy instalacja konstrukcji jest zgodna z przepisami lokalnymi i krajowymi. Wykwalifikowana osoba musi zalecić odpowiednie złączki oraz prawidłowe umieszczenie podstawy żurawika. Korzystanie z żurawika oraz przymocowanego do niej sprzętu zabezpieczającego przed upadkiem musi być nadzorowane przez kompetentną osobę.
- 1.4 DOKUMENTACJA OBIEKTU:** Po zainstalowaniu podstawy żurawika instalator musi sporządzić dokumentację instalacji spełniającą wymogi informacyjne podane w Załączniku A do normy P-EN 795, a następnie przekazać ją wskazanemu przedstawicielowi użytkownika. Dokumentację instalacji należy przechowywać w miejscu wykonywania prac, aby umożliwić sprawdzenie jej w przyszłości.
- 1.5 SZKOLENIE:** Ten sprzęt musi być zamontowany i użytkowany przez osoby przeszkolone w zakresie jego prawidłowego stosowania. Niniejsza instrukcja może być stosowana w ramach programu szkolenia pracowników i/lub w odniesieniu do przepisów regionalnych. Użytkownicy lub instalatorzy tego urządzenia mają obowiązek upewnić się, że znają niniejszą instrukcję, są przeszkoleni w zakresie prawidłowego utrzymania i użytkowania urządzenia oraz mają świadomość charakterystyki działania, ograniczeń zastosowania oraz skutków niewłaściwego użycia tego urządzenia.
- 1.6 PLAN RATUNKOWY:** Podczas korzystania z żurawika oraz powiązanego z nim sprzętu zabezpieczającego przed upadkiem pracodawca musi dysponować planem ratunkowym i niezbędnymi środkami do wdrożenia go oraz zakomunikowania go użytkownikom. Zalecane jest utworzenie przeszkolonego zespołu ratowniczego na miejscu. Członkowie zespołu powinni posiadać wyposażenie oraz znać techniki niezbędne do przeprowadzenia pomyślnej akcji ratunkowej. Wymagane jest okresowe przeprowadzanie szkolenia w celu zapewnienia należytych umiejętności ratunkowych.
- 1.7 CZĘSTOTLIWOŚĆ KONTROLI:** Przed każdym użyciem podstawa żurawika musi być sprawdzona przez użytkownika, a ponadto co najmniej raz na rok musi przejść kontrolę przeprowadzaną przez kompetentną osobę inną niż użytkownik.³ Procedury kontroli zostały opisane w „Dzienniku przeglądów i konserwacji”. Wyniki poszczególnych kontroli dokonywanych przez kompetentną osobę należy zapisywać na kopii „Dziennika kontroli i konserwacji”.

2.0 WYMAGANIA DOTYCZĄCE SYSTEMU

- 2.1 KOTWICZENIE I ZŁĄCZKI:** Wszystkie konstrukcje oraz złączki (jeśli dotyczy) użyte do przymocowania podstawy żurawika muszą spełniać „Wymagania dotyczące mocowania” określone w tabeli 1.
- 2.1 KOMPATYBILNOŚĆ ELEMENTÓW:** Sprzęt firmy 3M został zaprojektowany wyłącznie do użytku z innymi zatwierdzonymi elementami i podsystemami firmy 3M. Zastępowanie lub wymienianie elementów lub podsystemów na takie, które nie zostały zatwierdzone, może zagrażać kompatybilności sprzętu i wpływać na bezpieczeństwo oraz niezawodność systemu jako całości.
- 2.2 INDYWIDUALNY SYSTEM ZABEZPIECZENIA PRZED UPADKIEM:** Indywidualne systemy zabezpieczenia przed upadkiem (PFAS) stosowane wraz z tym systemem muszą spełniać obowiązujące normy, kodeksy i wymagania. System PFAS musi zawierać pełne szelki bezpieczeństwa i ograniczać siłę zatrzymującą zgodnie z poniższymi wartościami:

	Maksymalna siła zatrzymująca	Upadek swobodny
System PFAS z amortyzującą linką bezpieczeństwa	6 kN (1350 lb)	Ograniczenia dotyczące upadku swobodnego podane zostały w instrukcji dołączonej do linki bezpieczeństwa lub urządzenia samohamownego (SRD).
System PFAS z urządzeniem samohamownym (SRD)	6 kN (1350 lb)	

- 2.3 ZAGROŻENIA:** Korzystanie z tego urządzenia w miejscach, w których występują zagrożenia dla środowiska, może wymagać dodatkowych środków ostrożności w celu zmniejszenia ryzyka odniesienia obrażeń przez użytkowników lub uszkodzenia sprzętu. Informacje dotyczące konkretnych zagrożeń, które mogą mieć wpływ na korzystanie z systemu, można znaleźć w instrukcji masztu żurawika 3M.

¹ **Kompetentna osoba:** Osoba potrafiąca rozpoznać istniejące i możliwe do przewidzenia zagrożenia w otoczeniu lub niehigieniczne, niebezpieczne albo stwarzające zagrożenie dla pracowników warunki pracy, która jest równocześnie upoważniona do podejmowania szybkich działań naprawczych w celu ich wyeliminowania.

² **Wykwalifikowana osoba:** Osoba z uznanym dyplomem lub profesjonalnym certyfikatem i dużym doświadczeniem w zakresie zabezpieczania przed upadkiem. Ta osoba musi być w stanie projektować, analizować, oceniać i przygotowywać specyfikacje prac w zakresie zabezpieczania przed upadkiem.

³ **Częstość kontroli:** Ekstremalne warunki robocze (surowe środowisko, długi czas użycia itd.) mogą spowodować konieczność, aby kompetentna osoba przeprowadzała kontrole z większą częstotliwością.

3.0 MONTAŻ

3.1 PLANOWANIE: Przed instalacją trzyczęściowej podstawy żurawika o wysokiej nośności należy zaplanować system zabezpieczenia przed upadkiem. Należy uwzględnić wszystkie czynniki, które mogą wpłynąć na bezpieczeństwo przed, podczas i po upadku. Dodatkowo należy wziąć pod uwagę wszystkie wymagania określone w punkcie 2 i tabeli 1, aby wybrać odpowiednie złączki oraz umiejscowienie mocowania trzyczęściowej podstawy żurawika o wysokiej nośności na konstrukcji kotwiącej.

- **Punkt kotwiczący:** Punkt kotwiczący, do którego mocuje się trzyczęściową podstawę żurawika o wysokiej nośności, musi spełniać wymagania dotyczące obciążenia określone w punkcie 2, a także wymagania dotyczące obciążenia pionowego z tabeli 1.

3.2 MONTAŻ TRZYZCĘŚCIOWEJ PODSTAWY ŻURAWIKA O WYSOKIEJ NOŚNOŚCI: Sposób instalacji trzyczęściowej podstawy żurawika o wysokiej nośności jest przedstawiony na rysunku 5. Zamocować trzyczęściową podstawę żurawika o wysokiej nośności na poziomej powierzchni spełniającej wymagania wytrzymałościowe podane w tabeli 1, na przykład na betonowej lub stalowej konstrukcji:

1. Włożyć złącza nóg (E) do części środkowej (H).
2. Ułożyć system na posadzce w pobliżu obszaru, w którym ma być używany, eliminując potencjalne ryzyko upadku.
3. Po ustawieniu zespołu nóg (D) prostopadle do części środkowej (H), przytrzymać zespół nóg w pozycji pionowej oraz unieść złącze nogi (E) na zespół nóg (D) za pomocą wypustek na nogach, aby nakierować złącze końcowe na odpowiednie miejsce.
4. Włożyć trzpienie zaczepowe (I) łączące zespół nóg (D) ze złączem nogi (E) oraz zamocować je za pomocą dołączonej przetyczki.
5. Powtórzyć dla przeciwległej nogi.
6. Dopasować konstrukcję podstawy na żądaną szerokość oraz wsunąć trzpienie blokujące (C) całkowicie przez część środkową (H), zabezpieczając złącza nóg (E). Dokręcić śruby z potrójnym uchwytem gwiazdkowym (B) z tyłu części środkowej (H).
7. Dopasować stopki poziomujące (F), aby wypoziomować konstrukcję podstawy za pomocą dołączonej poziomicy (J) w taki sposób, aby pęcherzyk znajdował się w okręgu referencyjnym.

Przed użyciem potwierdzić, że wszystkie trzpienie są całkowicie włożone, a przetyczki są założone. Patrz rysunek 4.

4.0 UŻYTKOWANIE

4.1 PRZED KAŻDYM UŻYCIEM: Sprawdzić, czy obszar roboczy oraz indywidualny system zabezpieczenia przed upadkiem (PFAS) spełniają wszystkie kryteria określone w punkcie 2, oraz czy istnieje formalny plan ratunkowy. Sprawdzić trzyczęściową podstawę żurawika o wysokiej nośności według punktów kontrolnych dla „użytkownika” określonych w „Dzienniku przeglądów i konserwacji” w tabeli 2. Nie używać systemu, jeżeli w wyniku przeglądu okaże się, że jest wadliwy lub nie zapewnia bezpiecznej pracy. Wycofać system z eksploatacji i zniszczyć lub skontaktować się z firmą 3M w sprawie wymiany bądź naprawy.

4.2 OBSZAR ROBOCZY: Trzyczęściowa podstawa żurawika o wysokiej nośności może być używana wyłącznie w dozwolonym obszarze roboczym pomiędzy najdłuższymi bokami zespołów nóg. Zob. rysunek 3.

Obszar roboczy: System może utracić stabilność w przypadku używania poza bezpiecznym obszarem roboczym przedstawionym na rysunku 3.

5.0 PRZEGLĄD

5.1 CZĘSTOTLIWOŚĆ KONTROLI: Trzyczęściowa podstawa żurawika o wysokiej nośności powinna być sprawdzana w odstępach czasu określonych w punkcie 1. Procedury kontroli zostały opisane w „Dzienniku przeglądów i konserwacji” w tabeli 2. Przeglądy wszystkich innych elementów systemu zabezpieczenia przed upadkiem powinny być wykonywane zgodnie z częstotliwościami i procedurami podanymi w instrukcjach producenta.

5.2 WADY: Jeśli kontrola wykaże, że trzyczęściowa podstawa żurawika o wysokiej nośności jest wadliwa lub nie zapewnia bezpiecznej pracy, należy natychmiast wycofać ją z eksploatacji i skontaktować się z firmą 3M w sprawie wymiany lub naprawy. Nie należy próbować samemu naprawiać systemu zabezpieczenia przed upadkiem.

Wyłącznie autoryzowane naprawy: Niniejszy sprzęt może być naprawiany tylko przez firmę 3M lub podmioty upoważnione przez nią na piśmie.

5.3 OKRES EKSPLOATACJI: Okres eksploatacji systemu zabezpieczenia przed upadkiem jest zależny od warunków roboczych i konserwacji. Produkt ten może pozostać w eksploatacji tak długo, jak długo spełnia kryteria przeglądu.

6.0 KONSERWACJA, NAPRAWY, PRZECHOWYWANIE

6.1 CZYSZCZENIE: Metalowe elementy trzyczęściowej podstawy żurawika o wysokiej nośności należy okresowo czyścić miękką szczotką, ciepłą wodą oraz łagodnym roztworem mydła. Części muszą być dokładnie opłukane czystą wodą.

- 6.2 SERWIS:** Niniejszy sprzęt może być naprawiany tylko przez firmę 3M lub podmioty upoważnione przez nią na piśmie. Jeśli trzyczęściowa podstawa żurawika o wysokiej nośności została poddana działaniu siły powstrzymującej upadek lub kontrola wykaże, że jest wadliwa bądź nie zapewnia bezpiecznej pracy, należy wycofać system z eksploatacji i skontaktować się z firmą 3M w sprawie wymiany lub naprawy.
- 6.3 PRZECHOWYWANIE I TRANSPORT:** Gdy trzyczęściowa podstawa żurawika o wysokiej nośności nie jest używana, należy ją przechowywać wraz z powiązaniem zabezpieczającym przed upadkiem w chłodnym, suchym i czystym miejscu z dala od bezpośredniego działania promieni słonecznych. Należy unikać miejsc, w których mogą występować opary chemiczne. Dokładnie skontrolować elementy składowe po dłuższym okresie przechowywania.

7.0 OZNACZENIA

Etykiety trzyczęściowej podstawy żurawika o wysokiej nośności przedstawiono na rysunku 6. Jeśli etykiety nie są czytelne, należy je wymienić. Informacje na etykietach:


	Przeczytać wszystkie instrukcje.
①	A) Wyprodukowano (rok, miesiąc) B) Numer modelu C) Numer seryjny
②	Bezpieczny obszar roboczy.
③	Ostrzeżenie dotyczące mocowania trzpienia
④	Certyfikacja norm CE
⑤	Certyfikacja norm AS/NZS
⑥	PN-EN 1496:2006, klasa B
⑦	8000104 Maksymalne wysunięcie żurawika, indywidualny system zabezpieczenia przed upadkiem (PFAS), udźwig
⑦	8000105 Maksymalne wysunięcie żurawika, indywidualny system zabezpieczenia przed upadkiem (PFAS), udźwig

Tabela 3 – Dziennik przeglądów i konserwacji

Data przeglądu:		Przeгляд przeprowadził:	
Elementy:	Przeгляд: (częstotliwość przeglądów – patrz punkt 1)	Użytkownik	Kompetentna osoba ¹
Trzyczęściowa podstawa żurawika o wysokiej nośności (Rysunek 2)	Sprawdzić trzyczęściową podstawę żurawika o wysokiej nośności pod kątem pęknięć, wgnieceń i odkształceń.	<input type="checkbox"/>	<input type="checkbox"/>
	Sprawdzić cały moduł pod kątem nadmiernej korozji.	<input type="checkbox"/>	<input type="checkbox"/>
	Potwierdzić, że wszystkie trzpienie zaczepowe i blokujące są całkowicie włożone oraz w razie potrzeby zabezpieczone przetyczkami.	<input type="checkbox"/>	<input type="checkbox"/>
Etykiety, rysunek 7	Sprawdzić, czy wszystkie etykiety są odpowiednio przymocowane i czytelne (patrz część „Etykiety”).	<input type="checkbox"/>	<input type="checkbox"/>
Systemy PFAS i inne urządzenia	Dodatkowe urządzenia indywidualnego systemu zabezpieczenia przed upadkiem (PFAS) (np. szelki bezpieczeństwa, urządzenie samohamowne itd.), które są stosowane wraz z trzyczęściową podstawą żurawika o wysokiej nośności, powinny być instalowane i sprawdzane zgodnie z instrukcjami producenta.	<input type="checkbox"/>	<input type="checkbox"/>
Numery seryjne:		Data zakupu:	
Numer modelu:		Data pierwszego użycia:	
Działanie naprawcze/konserwacja:		Zatwierdzone przez:	
		Data:	
Działanie naprawcze/konserwacja:		Zatwierdzone przez:	
		Data:	
Działanie naprawcze/konserwacja:		Zatwierdzone przez:	
		Data:	
Działanie naprawcze/konserwacja:		Zatwierdzone przez:	
		Data:	
Działanie naprawcze/konserwacja:		Zatwierdzone przez:	
		Data:	
Działanie naprawcze/konserwacja:		Zatwierdzone przez:	
		Data:	
Działanie naprawcze/konserwacja:		Zatwierdzone przez:	
		Data:	
Działanie naprawcze/konserwacja:		Zatwierdzone przez:	
		Data:	
Działanie naprawcze/konserwacja:		Zatwierdzone przez:	
		Data:	
Działanie naprawcze/konserwacja:		Zatwierdzone przez:	
		Data:	

1 Kompetentna osoba: Osoba potrafiąca rozpoznać istniejące i możliwe do przewidzenia zagrożenia w otoczeniu lub niehigieniczne, niebezpieczne albo stwarzające zagrożenie dla pracowników warunki pracy, która jest równocześnie upoważniona do podejmowania szybkich działań naprawczych w celu ich wyeliminowania.

A certifique-se de que lê, compreende e segue todas as informações de segurança antes de utilizar este Dispositivo de Entrada/Resgate em Espaço Confinado. O INCUMPRIMENTO DESSAS INSTRUÇÕES PODERÁ RESULTAR EM LESÕES GRAVES OU MORTE.

Estas instruções têm de ser fornecidas ao utilizador deste equipamento. Guarde estas instruções para referência futura.

Uso previsto:

Este Dispositivo de Entrada/Resgate em Espaço Confinado deve ser utilizado como parte de um sistema pessoal completo de proteção antiqueda ou de resgate.

A sua utilização noutras circunstâncias incluindo, sem limitações, aplicações não aprovadas de manuseamento de materiais, atividades recreativas ou relacionadas com desporto ou outras atividades não descritas nas Instruções para o Utilizador ou nas Instruções de Instalação, não é aprovada pela 3M, e pode resultar em ferimentos graves ou morte.

Este dispositivo só deve ser utilizado por pessoas que tenham recebido formação no local de trabalho.

AVISO

Este Dispositivo de Entrada/Resgate em Espaço Confinado faz parte de um sistema de proteção antiqueda pessoal ou de um sistema de resgate. Todos os utilizadores devem receber formação quanto à instalação e manuseamento seguros de todo o sistema. **A má utilização deste dispositivo pode resultar em ferimentos graves ou morte.** Para a devida seleção, manuseamento, instalação, manutenção e reparação, consulte todas as Instruções sobre o Produto e todas as recomendações do fabricante, consulte o seu supervisor ou contacte os serviços técnicos da 3M.

- **Para minimizar os riscos associados à utilização de um Dispositivo de Entrada/Resgate em Espaço Confinado que, caso não evitados, podem resultar em ferimentos graves ou morte:**
 - Inspeccione o dispositivo antes de cada utilização, pelo menos uma vez por ano, e após cada incidente de queda. Inspeccione de acordo com as Instruções para o utilizador.
 - Se a inspeção revelar uma condição perigosa ou defeito, retire o dispositivo de serviço e repare-o ou substitua-o de acordo com as Instruções para o utilizador.
 - Qualquer dispositivo que tiver sido sujeito a forças de detenção da queda ou de impacto, deve ser imediatamente retirado de serviço. Consulte o Manual de instruções ou contacte o Departamento de proteção contra quedas da 3M.
 - O dispositivo apenas deve ser instalado da forma indicada em pormenor nas Instruções de Instalação ou nas Instruções para o Utilizador. As instalações e a utilização fora do âmbito das instruções devem ser aprovadas por escrito pela 3M Fall Protection.
 - O substrato ou a estrutura à qual o dispositivo é fixado deve ser capaz de suportar as cargas estáticas especificadas para o dispositivo nas orientações permitidas nas Instruções para o Utilizador ou nas Instruções de Instalação.
 - Não exceda o número de utilizadores permitidos.
 - Nunca trabalhe debaixo de uma carga ou de um trabalhador suspenso(a).
 - Tenha cautela ao instalar, usar e mover o dispositivo, uma vez que as partes móveis podem criar potenciais pontos de aperto. Consulte as Instruções para o Utilizador.
 - Certifique-se de que foram seguidos procedimentos adequados de bloqueio/sinalização, conforme aplicável.
 - Nunca fixe a um sistema até que o mesmo esteja posicionado, devidamente montado, ajustado e instalado. Não ajuste o sistema enquanto um utilizador estiver ligado ao mesmo.
 - Apenas conecte subsistemas de proteção antiqueda ao ponto de conexão de ancoragem designado no dispositivo.
 - Antes de perfurar ou fixar, certifique-se de que a broca ou o dispositivo não entrarão em contacto com cabos elétricos, condutas de gás, ou outros sistemas críticos incorporados.
 - Assegure-se de que os sistemas/subsistemas de proteção antiqueda, montados com componentes produzidos por diferentes fabricantes, são compatíveis e satisfazem os requisitos das normas aplicáveis, incluindo a ANSI Z359 ou outros códigos, normas ou requisitos de proteção antiqueda aplicáveis. Consulte sempre uma Pessoa competente ou Qualificada antes de utilizar estes sistemas.
- **Para minimizar os riscos associados à utilização em trabalhos em altura que, caso não evitados, podem resultar em ferimentos graves ou morte:**
 - Certifique-se de que a sua condição física e o seu estado de saúde lhe permitem suportar, com segurança, todas as forças associadas ao trabalho em altura. Consulte um médico caso tenha alguma questão quanto à sua capacidade de utilizar este equipamento.
 - Nunca exceda a capacidade permitida do seu equipamento de proteção antiqueda.
 - Nunca exceda a distância de queda livre máxima do seu equipamento de proteção antiqueda.
 - Não utilize qualquer equipamento de proteção antiqueda que não cumpra os critérios predefinidos ou outras inspeções agendadas ou caso tenha dúvidas quanto à utilização ou adequação do equipamento no seu trabalho. Contacte os serviços técnicos da 3M se tiver dúvidas.
 - Algumas combinações de subsistemas e componentes podem interferir com o funcionamento deste equipamento. Utilize apenas conectores compatíveis. Consulte a 3M quando instalar ou utilizar este equipamento em combinação com componentes ou subsistemas diferentes dos descritos nas Instruções para o utilizador.
 - Tome precauções adicionais ao trabalhar perto de maquinaria em movimento (por exemplo, sistema top drive das plataformas petrolíferas), quanto a perigos elétricos, temperaturas extremas, perigos químicos, gases explosivos ou tóxicos, bermas afiadas ou materiais suspensos que possam cair em cima de si ou do equipamento de proteção antiqueda.
 - Utilize equipamentos de proteção contra soldadura por arco elétrico ou materiais inflamáveis ao trabalhar em ambientes de temperatura elevada.
 - Evite superfícies ou objetos que possam causar-lhe ferimentos ou danificar o equipamento.
 - Certifique-se de que existe uma altura livre de queda ao trabalhar em alturas.
 - Nunca modifique ou altere o equipamento de proteção antiqueda. Apenas a 3M ou terceiros com autorização escrita da 3M podem efetuar reparações neste equipamento.
 - Antes de utilizar equipamento de proteção antiqueda, certifique-se de que existe um plano de resgate pronto a ser acionado caso ocorra um incidente de queda.
 - No caso de um incidente de queda, solicite imediatamente ajuda médica para o trabalhador que caiu.
 - Não utilize um cinto de segurança para aplicações de detenção da queda. Utilize apenas um arnês de corpo inteiro.
 - Minimizar as quedas em pêndulo trabalhando o mais possível diretamente abaixo do ponto de ancoragem.
 - Se o dispositivo for utilizado durante uma formação, deve ser utilizado um sistema de proteção antiqueda secundário para garantir que o formando não fica exposto a perigos de queda.
 - Utilize sempre equipamento de proteção individual adequado durante a instalação, utilização ou inspeção do dispositivo/sistema.

Antes da instalação e utilização deste equipamento, registre os dados de identificação do produto da etiqueta de identificação no Registo de Inspeções e Manutenções (Tabela 2) no verso deste manual.

DESCRIÇÃO DO PRODUTO:

A Figura 1 ilustra a Base de Braço Elevatório de Três Peças de Alta Capacidade (HC) de Entrada em Espaços Confinados/Salvamento 3M™ DBI-SALA®. A Base de Braço Elevatório de Três Peças de Alta Capacidade destina-se a ser montada numa superfície horizontal e a receber o mastro de um Braço Elevatório de HC de Entrada em Espaços Confinados/Salvamento 3M DBI-SALA compatível.

A Figura 2 ilustra os componentes da Base de Braço Elevatório de Três Peças de Alta Capacidade especificados na Tabela 1. A Base de Braço Elevatório de Três Peças de Alta Capacidade é composta por uma Secção Central (H) com uma Manga de Braço Elevatório (A), com Conectores de Pernas ajustáveis por deslizamento (E) em ambos os lados, que são trancados na largura pretendida com Pinos Detentores (C) e Parafusos Tri-asa (B). As Estruturas das Pernas (D) são fixadas aos Conectores de Pernas (E) com Pinos de Engate (I), e a sua altura pode ser ajustável com os Pés Ajustáveis (F) utilizando as Pegas de Ajuste (G).

Tabela 1 – Especificações

Especificações da Base de Braço Elevatório:		
Dimensões	Consulte a Figura 1 para conhecer as Dimensões da Base de Braço Elevatório	
Peso da Base de Braço Elevatório	8000104 37,5 kg (82,7 libras) 8000105 50,5 kg (111,3 libras)	
Compatibilidade	As Bases de Braço Elevatório abrangidas por estas instruções são compatíveis com Sistemas de Braço Elevatório de Curto e Longo Alcance e Alta Capacidade (HC) 3M™ DBI-SALA®.	
Requisitos Mínimos de Montagem:		
Carga Vertical Por Estrutura:	13,8 kN (3100 libras)	
Especificações dos componentes:		
Referência na Figura 2	Componente	Materiais
(A)	Manga de Braço Elevatório	Alumínio com polietileno de alta densidade
(B)	Parafusos tri-asa	Aço galvanizado e com revestimento em pó
(C)	Pinos Detentores	Aço galvanizado
(D)	Estruturas das Pernas	Alumínio e aço galvanizado
(E)	Conectores das Pernas	Alumínio
(F)	Pés Ajustáveis	Aço galvanizado
(G)	Pegas de Ajuste	Aço galvanizado
(H)	Secção Central	Alumínio
(I)	Pinos de Engate	Aço galvanizado
(J)	Bolha de Nivelamento	
Capacidades de Peso:		
Capacidade de Manuseamento de Material	205 kg (452 libras)	

1.0 APLICAÇÃO DO PRODUTO

- 1.1 FINALIDADE:** As Bases de Braço Elevatório são pontos de fixação concebidos para Sistemas de Braço Elevatório 3M compatíveis. Consulte as instruções do Sistema de Braço Elevatório respetivo para saber como é utilizado e a sua funcionalidade.
- 1.2 NORMAS:** A Base de Braço Elevatório está em conformidade com as normas nacionais ou regionais identificadas na capa destas instruções. Se este produto for revendido fora do país de destino original, o revendedor deve fornecer estas instruções na língua do país no qual o produto será usado.
- 1.3 INSTALAÇÃO E SUPERVISÃO:** A instalação da Base de Braço Elevatório tem de ser supervisionada por uma Pessoa Competente¹. Uma Pessoa Qualificada² tem de verificar se a instalação estrutural cumpre os regulamentos locais e federais. Uma Pessoa Qualificada tem de recomendar os elementos de fixação adequados e a localização correta da Base de Braço Elevatório. A utilização do Braço Elevatório e do equipamento de Detenção de Queda associado tem de ser supervisionado por uma Pessoa Competente.
- 1.4 DOCUMENTAÇÃO DO LOCAL:** Após a montagem e instalação das Bases de Braço Elevatório, a Documentação de Instalação de acordo com os requisitos de informação da norma EN795 Anexo A deve ser preenchida e entregue ao representante designado do utilizador. A Documentação de Instalação deve ser mantida no local de trabalho para exame posterior.
- 1.5 FORMAÇÃO:** Este equipamento deve ser instalado e utilizado por pessoas que tenham recebido formação quanto à sua correta aplicação. Este manual pode ser utilizado como parte do programa de formação de um colaborador e/ou regulamentos regionais. É da responsabilidade do utilizador e do instalador deste equipamento assegurarem que estão familiarizados com estas instruções, que receberam formação sobre o tratamento e utilização corretos deste equipamento e que estão sensibilizados para as características do funcionamento, os limites de aplicação e as consequências da utilização indevida do mesmo.
- 1.6 PLANO DE SALVAMENTO:** Quando utilizar o Braço Elevatório e o equipamento de Detenção de Queda associado, a entidade patronal tem de ter um plano de salvamento e meios disponíveis para implementar e comunicar esse plano aos utilizadores. Recomenda-se a presença de uma equipa de salvamento profissional no local. Os membros da equipa devem receber o equipamento e conhecer as técnicas necessárias para realizar um salvamento bem sucedido. A formação deve ser ministrada regularmente para assegurar a competência técnica do socorro.
- 1.7 FREQUÊNCIA DE INSPEÇÕES:** A Base de Braço Elevatório deve ser inspecionado pelo utilizador antes de cada utilização e, adicionalmente, por uma pessoa competente que não o utilizador em intervalos que não ultrapassem um ano.³ Os procedimentos de inspeção estão descritos no "Registo de inspeções e manutenções". Os resultados de cada inspeção realizada por pessoas competentes devem ser registados em cópias do "Registo de inspeções e manutenções".

2.0 REQUISITOS DO SISTEMA

- 2.1 ANCORAGEM E ELEMENTOS DE FIXAÇÃO:** Qualquer estrutura e elementos de fixação (elementos de fixação, conforme o caso) utilizados para fixar a Base de Braço Elevatório têm de cumprir os "Requisitos de Fixação" definidos na Tabela 1.
- 2.1 COMPATIBILIDADE DE COMPONENTES:** O equipamento da 3M destina-se a ser usado apenas com outros componentes e subsistemas aprovados pela 3M. As substituições efetuadas com componentes ou subsistemas não aprovados podem comprometer a compatibilidade do equipamento e podem afetar a segurança e fiabilidade de todo o sistema.
- 2.2 SISTEMA PESSOAL DE DETENÇÃO DE QUEDA:** Os Sistemas Pessoais de Proteção Anti-queda (PFAS) usados com o sistema devem cumprir as normas, códigos e requisitos da proteção anti-queda aplicáveis. O PFAS tem de utilizar um arnês de corpo inteiro e limitar a força de detenção até aos seguintes valores:

	Força de máxima paragem	Queda livre
Sistema pessoal de paragem de queda com cabos de segurança amortecedores de impacto	6 kN (1350 lb)	Consulte as instruções incluídas com o seu cabo de segurança ou SRD para saber as limitações de queda livre.
Sistema pessoal de paragem de queda com dispositivo autorretrátil (SRD)	6 kN (1350 lb)	

- 2.3 PERIGOS:** A utilização deste equipamento em áreas com riscos ambientais pode necessitar de precauções acrescidas a fim de evitar lesões no utilizador ou danos no equipamento. Consulte as instruções do mastro do braço elevatório 3M para conhecer os perigos específicos que podem afetar a utilização do sistema.

¹ **Pessoa competente:** Pessoa capaz de identificar riscos existentes e previsíveis nas proximidades ou condições de trabalho pouco higiénicas, prejudiciais ou perigosas para os funcionários, e que tem autorização para tomar medidas corretivas imediatas para os eliminar.

² **Pessoa qualificada:** Um indivíduo com um grau reconhecido ou certificado profissional e experiência alargada em Proteção contra quedas. Este indivíduo deverá estar apto a desenhar, analisar, avaliar e a fornecer especificações para Proteção contra quedas.

³ **Frequência de inspeções:** As condições de trabalho extremas (ambientes rigorosos, utilização prolongada, etc.) podem necessitar de aumentar a frequência das inspeções por pessoas competentes.

3.0 MONTAGEM

- 3.1 PLANEAMENTO:** Planeie o seu sistema de proteção antiqueda antes da instalação da Base de Braço Elevatório de Três Peças de Alta Capacidade. Tenha em consideração todos os fatores que podem afetar a sua segurança antes, durante e após uma queda. Leve em consideração todos os requisitos definidos na Secção 2 e na Tabela 1 para determinar os elementos de fixação e localização corretos para montar a Base de Braço Elevatório de Três Peças de Alta Capacidade na estrutura de ancoragem.
- **Ancoragem:** A ancoragem onde está montada a Base de Braço Elevatório de Três Peças de Alta Capacidade tem de cumprir os requisitos de Carga de Ancoragem especificados na Secção 2 e os requisitos de Carga Vertical na Tabela 1.
- 3.2 MONTAGEM DA BASE DE BRAÇO ELEVATÓRIO DE TRÊS PEÇAS DE ALTA CAPACIDADE:** A Figura 5 ilustra a instalação da Base de Braço Elevatório de Três Peças de Alta Capacidade. Monte a Base de Braço Elevatório de Três Peças de Alta Capacidade numa superfície horizontal que cumpra os requisitos de resistência indicados na Tabela 1, por exemplo, numa estrutura de betão ou aço:
1. Insira os Conectores das Pernas (E) na Secção Central (H).
 2. Disponha o sistema no chão, na área aproximada onde pretende utilizá-lo, eliminando em simultâneo qualquer potencial perigo de queda.
 3. Com a Estrutura da Perna (D) perpendicular à Secção Central (H), mantenha a Estrutura da Perna na posição vertical e levante o Conector da Perna (E) até à Estrutura da Perna (D) utilizando as linguetas nas pernas para guiar o conector final até ao devido lugar.
 4. Insira os Pinos de Engate (I), fixando a Estrutura da Perna (D) ao Conector da Perna (E) e prenda-a utilizando a cavilha em anexo.
 5. Repita o procedimento para a perna do lado oposto.
 6. Ajuste a estrutura da base para a largura desejada e insira os Pinos Detentores (C) totalmente, através da Secção Central (H), prendendo os Conectores das Pernas (E). Aperte as Parafusos Tri-asa (B) na parte de trás da Secção Central (H).
 7. Ajuste os Pés de Nivelamento (F) para fazer com que a Estrutura da Base fique nivelada, utilizando a Bolha de Nível (J) em anexo para assegurar que a bolha está dentro do círculo de referência.

Confirme que todos os Pinos estão totalmente inseridos e tenha cavilhas no devido lugar antes de utilizar. Consulte a Figura 4.

4.0 UTILIZAÇÃO

- 4.1 ANTES DE CADA UTILIZAÇÃO:** Confirme que a sua área de trabalho e Sistema Pessoal de Proteção Antiquedas (PFAS) cumprem os critérios definidos na Secção 2 e que existe um Plano de Salvamento formal implementado. Inspeccione a Base de Braço Elevatório de Três Peças de Alta Capacidade de acordo com os pontos de inspeção do "Utilizador" definidos no "Registo de Inspeções e Manutenções" na Tabela 2. Não utilize o sistema se a inspeção revelar uma condição perigosa ou defeituosa. Retire o sistema do serviço e destrua, ou contacte a 3M relativamente a substituição ou reparação.
- 4.2 ÁREA DE TRABALHO:** A Base de Braço Elevatório de Três Peças de Alta Capacidade 3M apenas deve ser utilizada na área de trabalho permitida, entre os lados mais compridos da Estrutura das Pernas. Consulte a figura 3.

Área de trabalho: O Sistema pode tornar-se instável caso seja utilizado fora da Área de Trabalho Segura na Figura 3.

5.0 INSPEÇÃO

- 5.1 FREQUÊNCIA DE INSPEÇÃO:** A Base de Braço Elevatório de Três Peças de Alta Capacidade tem de ser inspecionada nos intervalos definidos na Secção 1. Os procedimentos de inspeção são descritos no "Registo de Inspeções e Manutenções" na Tabela 2. Inspeccione todos os outros componentes do Sistema de Proteção Antiqueda de acordo com as frequências e os procedimentos definidos nas instruções do fabricante.
- 5.2 DEFEITOS:** Se a inspeção revelar condições perigosas ou defeituosas, retire a Base de Braço Elevatório de Três Peças de Alta Capacidade de serviço imediatamente e contacte a 3M relativamente a substituição ou reparação. Não tente reparar o Sistema de Detenção da Queda.

Apenas reparações autorizadas: Apenas a 3M ou terceiros com autorização escrita podem efetuar reparações neste equipamento.

- 5.3 VIDA ÚTIL DO PRODUTO:** A vida funcional do sistema de detenção da queda é determinada pelas condições de trabalho e manutenção. Enquanto o produto passar os critérios de inspeção, poderá continuar a ser utilizado.

6.0 MANUTENÇÃO, REPARAÇÃO, ARMAZENAMENTO

- 6.1 LIMPEZA:** Limpe periodicamente os componentes metálicos da Base de Braço Elevatório de Três Peças de Alta Capacidade com uma escova suave, água morna e uma solução de sabão suave. Certifique-se de que as peças foram lavadas minuciosamente com água limpa.

6.2 REPARAÇÃO: Apenas a 3M ou terceiros com autorização escrita pela 3M podem efetuar reparações neste equipamento. Se a Base de Braço Elevatório de Três Peças de Alta Capacidade tiver sido sujeita a forças de queda ou se a inspeção revelar condições perigosas ou defeituosas, retire o sistema de serviço e contacte a 3M relativamente a substituição ou reparação.

6.3 ARMAZENAMENTO E TRANSPORTE: Quando não estiver a ser utilizada, armazene e transporte a Base de Braço Elevatório de Três Peças de Alta Capacidade e o equipamento de proteção antiqueda associado num ambiente limpo, seco e fresco, afastado da luz solar direta. Evite áreas onde possam existir vapores químicos. Inspeccione minuciosamente os componentes após armazenamento prolongado.

7.0 ETIQUETAS

A Figura 6 ilustra as etiquetas na Base de Braço Elevatório de Três Peças de Alta Capacidade. As etiquetas devem ser substituídas se não forem completamente legíveis. As informações fornecidas em cada etiqueta são as seguintes:


	Ler todas as instruções.
1	A) Fabrico (Ano, Mês) B) Número de Modelo C) Número de Série
2	Área de trabalho segura.
3	Aviso relativo à fixação dos pinos.
4	Certificação de Normas CE
5	Certificação de Normas AS/NZS
6	EN1496:2006 Classe B
7	8000104 Compensação Máxima do Braço Elevatório, Sistema Pessoal de Proteção Antiquedas (PFAS), Capacidade de Manuseamento de Material
7	8000105 Compensação Máxima do Braço Elevatório, Sistema Pessoal de Proteção Antiquedas (PFAS), Capacidade de Manuseamento de Material

Tabela 3 – Registo de Inspeções e Manutenções

Data da inspeção:		Inspecionado por:	
Componentes:	Inspeção: (Para obter mais informações acerca da <i>Frequência de inspeções</i> da unidade, consulte a secção 1)	Utilizador	Pessoa competente¹
Base de Braço Elevatório de Três Peças de Alta Capacidade (Figura 2)	Inspeccione a Base de Braço Elevatório de Três Peças de Alta Capacidade para verificar se existem fissuras, mossas ou deformações.	<input type="checkbox"/>	<input type="checkbox"/>
	Inspeccione toda a unidade para verificar se existe corrosão excessiva.	<input type="checkbox"/>	<input type="checkbox"/>
	Confirme que os Pinos de Engate e Pinos Detentores estão totalmente inseridos e presos por cavilhas, se adequado.	<input type="checkbox"/>	<input type="checkbox"/>
Etiquetas – Figura 7	Confirme que todas as etiquetas estão bem fixadas e legíveis (consulte a secção "Etiquetas")	<input type="checkbox"/>	<input type="checkbox"/>
Sistema pessoal de paragem de queda e outros equipamentos	O equipamento adicional do sistema pessoal de proteção antipedregadas (PFAS) (arnês, SRL, etc.) utilizado com a Base de Braço Elevatório de Três Peças de Alta Capacidade deve ser instalado e inspecionado de acordo com as instruções do fabricante.	<input type="checkbox"/>	<input type="checkbox"/>
Número(s) de série:		Data de aquisição:	
Número do modelo:		Data da primeira utilização:	
Ação corretiva/manutenção:		Aprovado por:	
		Data:	
Ação corretiva/manutenção:		Aprovado por:	
		Data:	
Ação corretiva/manutenção:		Aprovado por:	
		Data:	
Ação corretiva/manutenção:		Aprovado por:	
		Data:	
Ação corretiva/manutenção:		Aprovado por:	
		Data:	
Ação corretiva/manutenção:		Aprovado por:	
		Data:	
Ação corretiva/manutenção:		Aprovado por:	
		Data:	
Ação corretiva/manutenção:		Aprovado por:	
		Data:	
Ação corretiva/manutenção:		Aprovado por:	
		Data:	

1 Pessoa competente: Pessoa capaz de identificar riscos existentes e previsíveis nas proximidades ou condições de trabalho pouco higiénicas, prejudiciais ou perigosas para os funcionários, e que tem autorização para tomar medidas corretivas imediatas para os eliminar.

Перед использованием данного средства для входа в ограниченное пространство/защиты от падения втягивающего типа (SRD) пользователи должны изучить, понять и соблюдать все указания по технике безопасности, содержащиеся в данной инструкции. **НЕСОБЛЮДЕНИЕ ПРАВИЛ, УКАЗАННЫХ В ИНСТРУКЦИИ, МОЖЕТ ПРИВЕСТИ К СЕРЬЕЗНЫМ ТРАВМАМ ИЛИ СМЕРТИ.**

Эти инструкции должны быть предоставлены пользователю оборудования. Сохраните эту инструкцию для дальнейшего использования.

Предусмотренное использование:

Данное средство для входа в ограниченное пространство/защиты от падения втягивающего типа предназначено для использования в комплекте с персональной страховочной системой или в качестве системы спасения и эвакуации.

Любое другое использование, в том числе, помимо прочего, погрузочно-разгрузочные операции, мероприятия, связанные с досугом, связанная со спортом деятельность или другие виды деятельности, не описанные в Инструкциях по эксплуатации или Инструкциях по установке, не утверждено компанией 3M и может привести к серьезным травмам или летальному исходу.

Данное устройство предназначено для использования лицами, обученными правильному применению этого устройства на рабочем месте.

ВНИМАНИЕ

Это устройство входа в замкнутое пространство/спасательное устройство представляет собой часть персональной страховочной системы. Ожидается, что все пользователи будут полностью обучены безопасной установке и эксплуатации всей данной системы. **Неправильное использование данного устройства может привести к серьезным травмам или летальному исходу.** Для правильного подбора, эксплуатации, монтажа и технического обслуживания см. все Инструкции по эксплуатации и все рекомендации производителя, а также можете обратиться к своему руководителю или в службу технической поддержки компании 3M.

- **Что необходимо делать, чтобы снизить риски, связанные с входом в замкнутое пространство/работой со средствами защиты от падения втягивающего типа, которые, если их не избежать, могут привести к серьезным травмам или летальному исходу:**
 - Перед каждым использованием устройства проверяйте его как минимум раз в год и после любого случая падения. Выполняйте проверку в соответствии с инструкцией по эксплуатации данного продукта.
 - Если при проверке было выявлено, что какие-либо элементы находятся в неисправном состоянии, снимите устройство с эксплуатации и отремонтируйте или замените его в соответствии с Инструкцией по эксплуатации.
 - Любое устройство, подвергшееся тормозящим или ударным воздействиям при остановке падения, подлежат немедленному изъятию из эксплуатации. См. Инструкцию по эксплуатации или свяжитесь с компанией 3M Fall Protection.
 - Это устройство должно устанавливаться только в соответствии с инструкциями по установке или инструкциями по эксплуатации. Установка и использование, выходящие за рамки инструкции, должны быть утверждены в письменной форме компанией 3M Fall Protection.
 - Материал или конструкция, к которым прикреплено это устройство, должны выдерживать статические нагрузки, указанные для устройства в ориентациях, разрешенных в инструкциях по эксплуатации или в инструкциях по установке.
 - Не превышайте количество допустимых пользователей.
 - Никогда не работайте под подвешенным грузом или работником.
 - Соблюдайте осторожность при установке, использовании и перемещении этого устройства, поскольку движущиеся части могут создавать потенциальные точки защемления. См. Инструкцию по эксплуатации.
 - Убедитесь, что соблюдены надлежащие процедуры, касающиеся блокировки/отключения.
 - Никогда не подсоединяйтесь к системе до тех пор, пока она не будет правильно расположена, полностью собрана, отрегулирована и установлена. Не занимайтесь регулировкой системы в то время, когда пользователь подсоединен.
 - Подключайте подсистемы защиты от падения только к указанной точке крепления анкера на устройстве.
 - Перед сверлением или креплением убедитесь, что не произойдет контакта линий электропередачи, газопроводов или других важных встроенных систем со сверлом или устройством.
 - Убедитесь в том, что системы/подсистемы защиты от падения, собранные из компонентов, изготовленных разными производителями, совместимы друг с другом и соответствуют требованиям действующих стандартов, включая ANSI Z359 или другим действующим нормам, стандартам или требованиям к системам защиты от падения. Перед использованием данных систем всегда консультируйтесь с компетентным или квалифицированным специалистом.
- **Что необходимо делать, чтобы снизить риски, связанные с работой на высоте, которые, если их не избежать, могут привести к серьезным травмам или летальному исходу:**
 - Убедитесь, что ваше здоровье и физическое состояние позволяет безопасно выдерживать всю нагрузку, связанную с работой на высоте. Проконсультируйтесь со своим врачом, если у вас есть какие-либо вопросы относительно вашей способности использовать данное оборудование.
 - Никогда не превышайте допустимую нагрузку своего оборудования для предотвращения падения.
 - Никогда не превышайте максимальное расстояние свободного падения своего оборудования для предотвращения падения.
 - Не используйте какое-либо оборудование для предотвращения падения, которое не прошло осмотр перед использованием или другие плановые проверки, или если у вас есть сомнения по поводу использования или пригодности этого оборудования для конкретного варианта применения. При наличии каких-либо вопросов, обращайтесь в службу технических услуг компании 3M.
 - Некоторые сочетания компонентов и подсистем могут препятствовать нормальной работе снаряжения. Используйте только совместимые соединения. Перед использованием этого оборудования вместе с компонентами или подсистемами, не описанными в данной инструкции пользователя, обращайтесь за консультацией в компанию 3M.
 - Соблюдайте дополнительные меры предосторожности при работе с движущимися механизмами (например, верхний силовой привод буровых вышек), при опасности поражения электрическим током, при экстремальных температурах, в присутствии опасных химических веществ, взрывчатых или токсичных газов, при острых краях или при выполнении работ под материалами, расположенными над головой, которые могут упасть на вас или на ваше оборудование для предотвращения падения.
 - Использование оборудования, в котором применяется электрическая дуга, или оборудования для горячих работ при работе в условиях высоких температур.
 - Избегайте поверхностей и предметов, которые могут нанести вред пользователю или оборудованию.
 - Убедитесь в наличии достаточного безопасного расстояния опускания при работе на высоте.
 - Никогда не модифицируйте и не вносите изменения в свое оборудование для защиты от падения. Только компания 3M или организации, имеющие письменное разрешение от компании 3M, могут производить ремонт этого оборудования.
 - Перед использованием оборудования для защиты от падения, убедитесь в наличии плана спасения, который позволяет быстро организовать спасательные работы в случае падения.
 - Если происходит падение, то немедленно организуйте врачебную помощь упавшему работнику.
 - Для страховки от падения страховочные пояса использовать не следует. Используйте только страховочную привязь, охватывающую туловище.
 - Для снижения опасности падения с размахом работайте непосредственно под точкой крепления или как можно ближе к ней.
 - Если это устройство используется с целью обучения, то необходимо использовать вторичную систему защиты от падения таким образом, чтобы не подвергать стажера непредусмотренной опасности падения.
 - Всегда носите соответствующие средства индивидуальной защиты при установке, эксплуатации или проверке данного устройства/данной системы.

Перед установкой и использованием запишите идентификационную информацию об изделии, указанную на идентификационной этикетке, в журнал проверки и обслуживания (таблица 2) на обратной стороне этого руководства.

ОПИСАНИЕ ИЗДЕЛИЯ.

На рисунке 1 изображено трёхсоставное основание наклонной опоры большой грузоподъёмности 3М™ DBI-SALA® для входа в ограниченное пространство/проведения спасательных работ. Трёхсоставное основание наклонной опоры большой грузоподъёмности устанавливается на горизонтальной поверхности, в него вставляется мачта совместимой наклонной опоры БГ 3М DBI-SALA для входа в ограниченное пространство/проведения спасательных работ.

На рисунке 2 показаны элементы трёхсоставного основания наклонной опоры большой грузоподъёмности, указанные в таблице 1. Трёхсоставное основание наклонной опоры большой грузоподъёмности состоит из центральной секции (Н) со встроенной муфтой наклонной опоры (А), с регулируемыми соединительными элементами ножек (Е) с каждой стороны, фиксируемыми на заданной ширине с помощью стопорных штифтов (С) и трёхкрылых винтов (В). Стойки в сборе (D) прикрепляются к соединительным элементам ножек (Е) сцепными штырями (I), их можно регулировать по высоте с помощью регулируемых ножек (F) с использованием специальных рукояток (G).

Таблица 1. Технические условия

Характеристики основания наклонной опоры:		
Размеры	Размеры основания наклонной опоры показаны на рис. 1	
Вес основания наклонной опоры	8000104 37,5 кг (82,7 фунта) 8000105 50,5 кг (111,3 фунта)	
Совместимость	Основания наклонных опор, описанные в данной инструкции, совместимы с системами наклонных опор большой грузоподъёмности (БГ) 3М™ DBI-SALA® с коротким и большим вылетом стрелы.	
Минимальные требования к монтажу:		
Вертикальная нагрузка на конструкцию:	13,8 кН (3100 фунтов)	
Технические характеристики элементов:		
Обозначения на рис. 2	Элемент	Материалы
Ⓐ	Муфта наклонной опоры	Алюминий с полиэтиленом высокой плотности
Ⓑ	Трёхкрылые винты	Оцинкованная сталь с порошковым покрытием
Ⓒ	Стопорные штифты	Оцинкованная сталь
Ⓓ	Стойки в сборе	Алюминий и оцинкованная сталь
Ⓔ	Соединительные элементы стоек	Алюминий
Ⓕ	Регулируемые ножки	Оцинкованная сталь
Ⓖ	Рукоятки для регулирования	Оцинкованная сталь
Ⓗ	Центральная секция	Алюминий
Ⓘ	Сцепные штыри	Оцинкованная сталь
Ⓝ	Пузырьковый уровень	
Максимальный вес:		
грузоподъёмность материала		205 кг (452 фунта)

1.0 ПРИМЕНЕНИЕ ИЗДЕЛИЯ

- 1.1 НАЗНАЧЕНИЕ.** Основания наклонной опоры представляют собой специально разработанные точки крепления для совместимых систем наклонных опор ЗМ. Инструкции по использованию системы и принципу ее работы см. в соответствующей инструкции по эксплуатации системы наклонной опоры.
- 1.2 СТАНДАРТЫ.** Это основание наклонной опоры соответствует требованиям государственных или региональных стандартов, перечисленных на обложке этой инструкции. При перепродаже оборудования за пределы страны его производства посредник должен предоставить данные инструкции на языке страны, в которой будет использоваться оборудование.
- 1.3 УСТАНОВКА И НАДЗОР:** Установка основания наклонной опоры должна проводиться под надзором компетентного лица¹. Квалифицированное лицо² должно удостовериться в том, что установленная конструкция соответствует местным и государственным нормативам. Квалифицированное лицо должно рекомендовать подходящие крепежные изделия и обеспечить соответствующее размещение основания наклонной опоры. Эксплуатация наклонной опоры и средств защиты от падения с высоты должна осуществляться под надзором компетентного лица.
- 1.4 ДОКУМЕНТАЦИЯ ПО УСТАНОВКЕ НА ОБЪЕКТЕ.** После сборки и установки оснований наклонных опор установщик должен подготовить документацию по установке в соответствии с информационными требованиями EN795, Приложение А, и передать ее представителю, назначенному пользователем. Документацию по установке необходимо хранить на месте проведения работ в целях последующей проверки.
- 1.5 ОБУЧЕНИЕ.** К монтажу и эксплуатации данного оборудования допускаются лица, прошедшие соответствующее обучение. Данное руководство можно использовать как часть программы обучения персонала и/или в рамках местных нормативов. Лица, осуществляющие эксплуатацию и монтаж данного снаряжения, обязаны изучить настоящую инструкцию, пройти соответствующее обучение правилам эксплуатации данного снаряжения и ухода за ним и знать рабочие характеристики, пределы применения и последствия ненадлежащего использования данного снаряжения.
- 1.6 ПЛАН СПАСЕНИЯ.** Работодатель, использующий наклонную опору и подсоединенные средства защиты от падения с высоты, должен иметь план спасения и средства для проведения спасательных операций; кроме того, он должен сообщить об этом плане пользователям. Рекомендуется содержать на рабочей площадке подготовленную спасательную команду. Спасательная команда должна обладать всеми необходимыми навыками и оборудованием для успешного проведения спасательных работ. Для поддержания должной квалификации спасателей следует регулярно проводить обучение.
- 1.7 ПЕРИОДИЧНОСТЬ ПРОВЕРКИ.** Пользователь обязан осмотреть основание наклонной опоры непосредственно перед использованием. Кроме этого, другое компетентное лицо обязано проводить проверку системы не реже одного раза в год.³ Порядок проверки изложен в документе «Журнал проверки и обслуживания». Результаты проверки снаряжения компетентным лицом заносятся в «Журнал проверки и технического обслуживания».

2.0 ТРЕБОВАНИЕ К СИСТЕМЕ

- 2.1 АНКЕРЫ И КРЕПЕЖНЫЕ ИЗДЕЛИЯ.** Любые конструкции и крепежные изделия (если применяются), используемые для прикрепления основания наклонной опоры, должны соответствовать «Требованиям к установке», указанным в таблице 1.
- 2.1 СОВМЕСТИМОСТЬ КОМПОНЕНТОВ.** Оборудование ЗМ предназначено только для использования с компонентами и вспомогательными системами, утвержденными компанией ЗМ. Замены с использованием непроверенных компонентов или подсистем могут подвергать риску совместимость оборудования и влиять на безопасность и надежность системы в целом.
- 2.2 ИНДИВИДУАЛЬНАЯ СТРАХОВОЧНАЯ СИСТЕМА.** Индивидуальные страховочные системы (ИСС), используемые вместе с данной системой, должны отвечать действующим нормам, стандартам или требованиям к системам защиты от падения с высоты. В ИСС необходимо использовать страховочную привязь со следующими предельными значениями усилия торможения:

	Максимальное усилие торможения	Свободное падение
ИСС с амортизирующим стропом	6 кН (1350 фунтов)	Предельные значения для свободного падения указаны в инструкциях, прилагаемых к вашему стропу или СЗВТ.
ИСС со средством защиты втягивающего типа (СЗВТ)	6 кН (1350 фунтов)	

- 2.3 ОПАСНЫЕ УСЛОВИЯ.** При использовании данного снаряжения в присутствии вредных факторов окружающей среды следует принять дополнительные меры предосторожности во избежание производственного травматизма и порчи снаряжения. Описание опасных условий, которые могут повлиять на эксплуатацию системы, см. в инструкции по эксплуатации наклонной мачты ЗМ.

¹ **Компетентное лицо** — лицо, способное определить существующие или прогнозируемые риски в среде или рабочих условиях, не соответствующих санитарным нормам или представляющих опасность для рабочих, и обладающее полномочиями для принятия быстрых корректирующих мер по устранению этих рисков.

² **Квалифицированное лицо** — сотрудник, имеющей признанную квалификацию или профессиональный диплом, а также обширный опыт в сфере защиты от падения. Такой сотрудник должен уметь конструировать, проводить анализ и оценку, а также определять технические характеристики систем защиты от падения.

³ **Периодичность проверки.** При экстремальных условиях эксплуатации (суровые климатические условия, длительное использование и т. п.) могут потребоваться более частые проведения проверок компетентным лицом.

3.0 СБОРКА

3.1 ПЛАНИРОВАНИЕ. Планируйте свою систему защиты от падения с высоты до установки трёхсоставного основания наклонной опоры большой грузоподъёмности. Учитывайте факторы, которые могут влиять на безопасность до падения, во время падения и после падения. Примите во внимание все требования, определенные в разделе 2 и таблице 1, для выбора подходящих крепежных изделий и их размещения для монтажа трёхсоставного основания наклонной опоры большой грузоподъёмности на конструкции анкерного крепления.

- **Анкерное крепление:** конструкция анкерного крепления, на которой производится монтаж трёхсоставного основания наклонной опоры большой грузоподъёмности, должна соответствовать требованиям к нагрузке на анкерное крепление, указанным в разделе 2, и требованиям к моментной нагрузке и вертикальной нагрузке, приведенным в таблице 1.

3.2 СБОРКА ТРЁХСОСТАВНОГО ОСНОВАНИЯ НАКЛОННОЙ ОПОРЫ БОЛЬШОЙ ГРУЗОПОДЪЁМНОСТИ. На рис. 5 показана установка трёхсоставного основания наклонной опоры большой грузоподъёмности. Монтаж трёхсоставного основания наклонной опоры большой грузоподъёмности необходимо производить на горизонтальной поверхности в соответствии с требованиями к прочности, указанными в таблице 1, например на бетонной или стальной конструкции:

1. Вставьте соединения ножек (E) в центральную секцию (H).
2. Разложите систему на полу в зоне предполагаемой эксплуатации, исключив все опасности падения.
3. Установите ножку в сборе (D) перпендикулярно центральной секции (H), удерживайте ее вертикально и приподнимите соединение ножки (E) и вставьте его на ножку в сборе (D) с помощью язычков на ножках, чтобы вставить конечное соединение на место.
4. Вставьте сцепные штыри (I), прикрепляющие ножку в сборе (D) к соединению ножки (E), и зафиксируйте его прикрепленным штифтом с кольцом.
5. Повторите те же шаги для ножки с противоположной стороны.
6. Установите основание в сборе на нужную ширину и вставьте стопорные штифты (C) до упора сквозь центральную секцию (H), зафиксировав соединения ножек (E). Затяните трёхкрылые винты (B) сзади центральной секции.
7. С помощью регулировочных ножек (F) установите основание в сборе точно по уровню, используя прикрепленный пузырьковый уровень (J) (пузырек должен находиться в пределах контрольной окружности).

Перед использованием устройства убедитесь в том, что все штифты вставлены и штифты с кольцами находятся на своих местах. См. рис. 4.

4.0 ЭКСПЛУАТАЦИЯ

4.1 ПЕРЕД КАЖДЫМ ИСПОЛЬЗОВАНИЕМ УБЕДИТЕСЬ, что ваше рабочее место и индивидуальная страховочная система (ИСС) отвечают всем критериям, указанным в разделе 2 и в действующем официальном плане спасения. Проверьте трёхсоставное основание наклонной опоры большой грузоподъёмности в соответствии с точками проверки «ПОЛЬЗОВАТЕЛЕМ», которые определены в «ЖУРНАЛЕ ПРОВЕРКИ И ОБСЛУЖИВАНИЯ» в таблице 2. Не используйте систему, если при проверке обнаружено ее небезопасное или дефектное состояние. Выведите систему из эксплуатации и обратитесь в компанию 3М по поводу замены или ремонта.

4.2 РАБОЧАЯ ОБЛАСТЬ. Трёхсоставное основание наклонной опоры большой грузоподъёмности 3М необходимо использовать только в допустимой рабочей области между самыми длинными сторонами ножек в сборе. См. рис. 3.

Рабочая область: Устойчивость системы может быть нарушена в случае ее эксплуатации за пределами безопасной рабочей области (см. рис. 3).

5.0 ПРОВЕРКА

5.1 ПЕРИОДИЧНОСТЬ ПРОВЕРКИ. Периодичность проверки трёхсоставного основания наклонной опоры большой грузоподъёмности указана в разделе 1. Порядок проверки изложен в «ЖУРНАЛЕ ПРОВЕРКИ И ОБСЛУЖИВАНИЯ» в таблице 2. Порядок и периодичность проверки всех других элементов системы защиты от падения с высоты см. в инструкциях их производителей.

5.2 ДЕФЕКТЫ. Если в ходе проверки выявлено небезопасное или неисправное состояние, немедленно снимите трёхсоставное основание наклонной опоры большой грузоподъёмности с эксплуатации и обратитесь в компанию 3М по поводу замены или ремонта. Не пытайтесь отремонтировать страховочную систему самостоятельно.

Только санкционированный ремонт. РЕМОНТ ЭТОГО ОБОРУДОВАНИЯ МОГУТ ОСУЩЕСТВЛЯТЬ только компания 3М или организации, имеющие письменное разрешение.

5.3 СРОК СЛУЖБЫ. Срок службы страховочной системы зависит от условий эксплуатации и качества технического обслуживания. Изделия могут находиться в эксплуатации до тех пор, пока они соответствуют требованиям контроля.

6.0 ТЕХНИЧЕСКОЕ ОБСЛУЖИВАНИЕ, РЕМОНТ И ХРАНЕНИЕ

- 6.1 ОЧИСТКА.** Металлические компоненты трёхсоставного основания наклонной опоры большой грузоподъёмности следует периодически очищать при помощи щетки с мягкой щетиной, теплой воды и слабого мыльного раствора. Затем все элементы следует ополоснуть чистой водой.
- 6.2 РЕМОНТ.** Ремонт этого оборудования могут осуществлять только компания ЗМ или организации, имеющие письменное разрешение от ЗМ. Следует изъять из эксплуатации трёхсоставное основание наклонной опоры большой грузоподъёмности, подвергшееся воздействию сил, возникающих в процессе прекращения падения, а также при выявления дефектов либо признания его небезопасным, и обратиться в компанию ЗМ по вопросу замены или ремонта.
- 6.3 ХРАНЕНИЕ И ТРАНСПОРТИРОВКА.** Неиспользуемое трёхсоставное основание наклонной опоры большой грузоподъёмности и соответствующие средства защиты от падения с высоты следует хранить и транспортировать в прохладных, сухих и чистых условиях, обеспечивающих защиту от прямых солнечных лучей. Избегайте помещений, в атмосфере которых могут присутствовать пары химических веществ. Компоненты, находившиеся на длительном хранении, подлежат тщательной проверке.

7.0 ЭТИКЕТКИ

На рис. 6 показаны этикетки на трёхкомпонентном основании наклонной опоры большой грузоподъёмности. Этикетки необходимо заменить, если текст на них не совсем разборчивый. Содержание всех этикеток приведено ниже.


	Прочитайте все инструкции.
①	А) Дата изготовления (год, месяц) В) Номер модели С) Серийный номер
②	Безопасная рабочая область.
③	Предупреждение о креплении на штырях
④	Сертификация по стандартам CE
⑤	Сертификация по стандартам AS/NZS
⑥	EN1496:2006 Класс B
⑦	8000104 Максимальное смещение наклонной опоры, индивидуальная страховочная система (ИСС), максимальная грузоподъёмность материала
⑦	8000105 Максимальное смещение наклонной опоры, индивидуальная страховочная система (ИСС), максимальная грузоподъёмность материала

Таблица 3. Журнал проверки и обслуживания

Дата проведения проверки:		Проверил:	
Элементы.	Проверка: (см. раздел 1 «Периодичность проверки»)	Пользователь	Компетентное лицо¹
Трёхстоечное основание наклонной опоры большой грузоподъемности (Рисунок 2)	Осмотрите трёхстоечное основание наклонной опоры большой грузоподъемности на наличие трещин, вмятин или деформаций.	<input type="checkbox"/>	<input type="checkbox"/>
	Осмотрите все устройство на предмет чрезмерной коррозии.	<input type="checkbox"/>	<input type="checkbox"/>
	Убедитесь в том, что сцепные и стопорные штифты полностью вставлены и зафиксированы штифтами с кольцами.	<input type="checkbox"/>	<input type="checkbox"/>
Этикетки (рис. 7)	Убедитесь, что все этикетки хорошо приклеены и текст на них разборчивый (см. раздел «Этикетки»).	<input type="checkbox"/>	<input type="checkbox"/>
Индивидуальная система для защиты от падения и прочее оборудование	Дополнительное оборудование для индивидуальной страховочной системы (ИСС) (привязь, СЗВТ, и т.д.), которое используется с анкерной системой Flexiguard, необходимо установить и проверить в соответствии с инструкциями изготовителя.	<input type="checkbox"/>	<input type="checkbox"/>

Серийный номер(а):	Дата покупки:
Номер модели:	Дата первого использования:
Устранение неисправности/техническое обслуживание:	Утвердил:
	Дата:
Устранение неисправности/техническое обслуживание:	Утвердил:
	Дата:
Устранение неисправности/техническое обслуживание:	Утвердил:
	Дата:
Устранение неисправности/техническое обслуживание:	Утвердил:
	Дата:
Устранение неисправности/техническое обслуживание:	Утвердил:
	Дата:
Устранение неисправности/техническое обслуживание:	Утвердил:
	Дата:
Устранение неисправности/техническое обслуживание:	Утвердил:
	Дата:
Устранение неисправности/техническое обслуживание:	Утвердил:
	Дата:
Устранение неисправности/техническое обслуживание:	Утвердил:
	Дата:
Устранение неисправности/техническое обслуживание:	Утвердил:
	Дата:
Устранение неисправности/техническое обслуживание:	Утвердил:
	Дата:

1 Компетентное лицо — лицо, способное определить существующие или прогнозируемые риски в среде или рабочих условиях, не соответствующих санитарным нормам или представляющих опасность для рабочих, и обладающее полномочиями для принятия быстрых корректирующих мер по устранению этих рисков.

VARNOSTNE INFORMACIJE

Preden uporabite to napravo za vhod v utesnjene prostore/reševanje iz utesnenih prostorov (Confined Space Entry/Rescue Device), prosimo, da preberete, razumete prebrano in upoštevate vse varnostne informacije, ki jih vsebuje ta priročnik. NEUPOŠTEVANJE LAHKO POVZROČI HUDE TELESNE POŠKODBE ALI SMRT.

Navodila je treba posredovati uporabniku opreme. Te informacije vedno hranite na priročnem mestu.

Predvidena uporaba:

Ta naprava za vhod v utesnjene prostore/reševanje iz utesnenih prostorov je namenjena za uporabo kot sestavni del celotnega sistema za zaščito pri padcu in reševanje oseb.

Podjetje 3M ne odobrava uporabe za katere koli druge namene, kar med ostalimi vključuje neodobreno prenašanje materialov, rekreativne ali športne dejavnosti oziroma druge dejavnosti, ki niso opisane v Navodilih za uporabnike ali Navodilih za namestitve – neupoštevane navedene predvidene uporabe lahko povzročijo hude telesne poškodbe ali smrt!

To napravo sme uporabljati samo usposobljen uporabnik pri izvajanju del na delovnem mestu.



OPOZORILO

Ta naprava za vhod v utesnjene prostore/reševanje iz utesnenih prostorov je del sistema za zaščito pri padcu in reševanje oseb. Pričakuje se, da so vsi uporabniki podrobno seznanjeni in usposobljeni za varno namestitve in delovanje celotnega sistema. **Nepravilna uporaba te naprave lahko povzroči hude telesne poškodbe ali smrt.** Za pravilno izbiro, delovanje, namestitve, vzdrževanje in servisiranje glejte ta Navodila za uporabo izdelka in vsa priporočila proizvajalca, se posvetujte z nadrejenim ali se obrnite na Tehnične storitve podjetja 3M.

- **Da bi se izognili povzročitvi hude telesne poškodbe ali smrti pri delu z napravo za vhod v utesnjene prostore/reševanje iz utesnenih prostorov, morate upoštevati pravila za zmanjševanje tveganj, ki zahtevajo naslednje:**
 - Napravo pregledajte pred vsako uporabo, najmanj pa enkrat letno in po vsakem dogodku, ki je sprožil delovanje naprave za preprečitev padca. Pri pregledu naprave vedno sledite Navodilom za uporabnike.
 - Če pri pregledu stanja naprave ugotovijo, da ni varna ali da je pomanjkljiva, jo umaknite iz uporabe in jo popravite ali zamenjajte, odvisno od zahtev v Navodilih za uporabnike.
 - Vsako napravo, ki je bila podvržena sili ob zadrževanju padca ali udarni sili, je treba nemudoma izločiti iz uporabe in uničiti. Glejte Navodila za podjetje 3M Fall Protection.
 - Napravo je treba namestiti natanko tako, kot je podrobneje opisano v Navodilih za namestitve ali Navodilih za uporabnike. Za namestitve in načine uporabe, ki niso navedeni v navodilih, morate pridobiti pisno odobritev podjetja 3M Fall Protection.
 - Podlaga ali konstrukcija, na katero je naprava pritrjena, imeti mora zadostno trdnost, da zdrži statične obremenitve, ki so za dovoljene usmeritve pritrjenih trakov/vrvi navedene v Navodilih za uporabnike ali Navodilih za namestitve v oddelku za specifikacije naprave.
 - Ne smete preseči števila dopustnih uporabnikov.
 - Nikoli ne smete delati pod visečim tovorom ali delavcem pri delu na višini.
 - Bodite previdni pri nameščanju, uporabi ali premikanju delov naprave, ker vas drseči deli naprave lahko stisnejo. Glejte Navodila za uporabnike.
 - Zagotovite pravilno uporabo opreme za začasno zaustavitev naprave (npr. ločilno stikalo)/opreme za označitev, da ne smete vklopiti napajanja, ker se izvaja pregled ali servisiranje naprave (oznaka se postavi na opremo za izklop energetskega napajanja za napravo), pri tem pa morate slediti ustreznim postopkom.
 - Uporabnik ne sme nikoli uporabljati sistema, ki ni postavljen v ustrezen položaj, v celoti sestavljen, nastavljen za svoj namen in montiran. Ko je uporabnik pritrjen na sistem, ne smete spreminjati nastavitev sistema.
 - Pod sisteme za zaščito pred padcem morate povezati izključno na označene sidrne priključne točke na napravi.
 - Pred vrtnjem ali pritrjevanjem zagotovite, da sveder ali naprava ne bosta prišla v stik z električnimi vodi, plinovodi ali drugimi nevarnimi vgrajenimi sistemi.
 - Za sisteme/podsisteme za zaščito pred padcem, ki so sestavljeni iz komponent različnih izdelovalcev, zagotovite, da so vse komponente med sabo združljive in da izpolnjujejo zahteve ustreznih standardov, vključno s standardom ANSI Z359 ali z drugimi ustreznimi predpisi, standardi ali zahtevami v zvezi z zaščito pred padcem. Pred uporabo teh sistemov se vedno posvetujte s pristojno ali kvalificirano osebo.
- **Da bi se izognili povzročitvi hude telesne poškodbe ali smrti pri delu na višini, morate upoštevati pravila za zmanjševanje tveganj, ki zahtevajo naslednje:**
 - Zagotovite, da vam zdravje in fizična pripravljenost dovoljujeta, da varno delate in zdržite vse sile, ki ste jim izpostavljeni pri delu na višini. Če ste v dvomih glede svoje sposobnosti, da uporabljate to opremo, se posvetujte s svojim zdravnikom.
 - Nikoli ne smete preseči dopustne nosilnosti svoje opreme za zaščito pred padcem.
 - Nikoli ne smete preseči maksimalne razdalje prostega padca, ki je določena za vašo opremo za zaščito pred padcem.
 - Ne smete uporabiti opreme, za katero je bilo pri strokovnem pregledu pred uporabo ali pri drugem pregledu v okviru načrtovanih vzdrževalnih del ugotovljeno, da ne izpolnjuje pogojev za varno delo, ali če menite, da vaša oprema ne ustreza pogojem vašega delovnega mesta. Za vsa vprašanja se obrnite na Tehnične storitve podjetja 3M.
 - Kombinacije nekaterih podsistemov in sestavnih delov lahko ovirajo delovanje opreme. Uporabljajte samo združljive priključke. Pred uporabo opreme v kombinaciji s sestavnimi deli ali podsistemi, ki niso opisani v Navodilih za uporabnike, se posvetujte s podjetjem 3M.
 - Upoštevajte dodatne varnostne ukrepe, ko delate v bližini strojev za zemeljska dela (npr. zgornji pogon oljne ploščadi), visokonapetostnih električnih vodnikov, visoke temperature, nevarnih kemikalij, eksplozivnih ali strupenih plinov, ostrih robov, ali na deloviščih, na katerih se izvajajo dela na višini z materiali, ki lahko padejo na vas ali vašo opremo za zaščito pred padcem.
 - Ko delate v okoljih z visoko toploto, uporabljajte naprave za zaščito pred prebojnim vžigom ali naprave za zaščito pri varjenju, rezanju ali odprtem plamenu.
 - Izogibajte se površinam in predmetom, ki lahko poškodujejo uporabnika ali opremo.
 - Pri delu na višini zagotovite ustrezen prazen prostor na poti padca.
 - Svoje opreme za zaščito pred padcem nikoli ne smete spreminjati ali predelati. Popravila te opreme lahko izvaja samo podjetje 3M ali oseba, ki je od podjetja 3M pridobila pisno pooblastilo.
 - Pred uporabo opreme za zaščito pred padcem preverite, ali je izdelan načrt reševanja pri morebitnem padcu, ki zagotavlja takojšnje reševanje, če se zgodi nesreča.
 - Če se zgodi nesreča s padcem, nemudoma poiščite zdravniško pomoč za ponesrečenega delavca.
 - Za zaustavitev padca ne smete uporabiti jermena, nameščenega samo okrog pasu. Uporabljajte samo varovalno-pozicijski pas za celotno telo.
 - Nevarnost padcev z nihanjem lahko zmanjšate tako, da delate neposredno pod sidrno točko.
 - Ko uporabljate to napravo pri usposabljanju delavca, morate uporabiti sekundarno zaščito pred padcem na način, ki delavca, ki se še uči, ne bo izpostavil neželene padca.
 - Vedno si nadenite osebno zaščitno opremo, ko nameščate, uporabljate, ali pregledujete napravo/sistem.

Pred namestitvijo in uporabo te opreme si z ID-nalepke v dnevnik za preglede in vzdrževanje (Preglednica 2), ki je na koncu tega priročnika, prepisite identifikacijske podatke izdelka.

OPIS IZDELKA:

Slika 1 prikazuje podnožje tridelne dvižne roke visoke nosilnosti (HC) za vstop v utesnjene prostore/reševanje 3M™ DBI-SALA®. Podnožje tridelne dvižne roke visoke nosilnosti je namenjeno za montažo na vodoravno površino in sprejem droga združljive dvižne roke za vstop v utesnjene prostore/reševanje 3M DBI-SALA.

Slika 2 prikazuje sestavne dele podnožja tridelne dvižne roke visoke nosilnosti, navedene v Preglednici 1. Podnožje tridelne dvižne roke visoke nosilnosti je sestavljeno iz središčnega dela (H) z integrirano objemko dvižne roke (A) z drsno nastavljivimi nožnimi veznimi elementi (E) na vsaki strani, ki so blokirani na želeni širini z zadrževalnimi zatiči (C) in ročnimi vijaki (B). Sklopi nog (D) so pritrjeni na vezne elemente nog (E) s pritrdilnimi zatiči (I) in jih je mogoče nastavljati po višini z nastavljivimi nogicami (F) z uporabo nastavitvenih ročic (G).

Tabela 1 – specifikacije

Specifikacije podnožja dvižne roke:		
Mere	Za mere podnožja dvižne roke glejte sliko 1	
Teža podnožja dvižne roke	8000104 37,5 kg	8000105 50,5 kg
Združljivost	Podnožja dvižne roke, obravnavana v tem navodilu, so združljiva s sistemi dvižne roke za kratek in dolg doseg visoke nosilnosti (HC) 3M™ DBI-SALA®.	
Minimalne zahteve za montažo:		
Navpična obremenitev na konstrukcijo:	13,8 kN	
Specifikacije sestavnih delov:		
Slika 2 Referenca	Sestavni del	Materiali
Ⓐ	Objemka dvižne roke	Aluminij s polietilenom visoke gostote
Ⓑ	Ročni vijaki	Pocinkano in prašno barvano jeklo
Ⓒ	Zadrževalni zatiči	Pocinkano jeklo
Ⓓ	Sklopi nog	Aluminij in pocinkano jeklo
Ⓔ	Vezni elementi nog	Aluminij
Ⓕ	Nastavljive nogice	Pocinkano jeklo
Ⓖ	Nastavitvene ročice	Pocinkano jeklo
Ⓗ	Središčni del	Aluminij
Ⓘ	Pritrdilni zatiči	Pocinkano jeklo
Ⓙ	Izravnalni mehurček	
Nosilnost:		
Nosilnost pri ravnanju z materiali		205 kg

1.0 UPORABA IZDELKA

- 1.1 NAMEN:** Podnožja opornika vključujejo montažne točke za pritrditev združljivih opornih sistemov 3M. Za uporabo in vrsto delovnih operacij opornega sistema glejte ustrezna navodila za oporni sistem.
- 1.2 STANDARDI:** To podnožje opornika je v skladu z državnimi ali regijskimi standardi, ki so navedeni na prvi strani teh navodil. Pri preprodaji tega izdelka zunaj prvotne namembne države mora preprodajalec zagotoviti prevod teh navodil v jezik države, v kateri se bo izdelek uporabljal.
- 1.3 MONTAŽA IN NADZOR:** Montažo podnožja opornika mora nadzorovati pristojna oseba¹. Kvalificirana oseba² mora preveriti, ali montaža konstrukcije izpolnjuje lokalne in zvezne/državne predpise. Kvalificirana oseba mora priporočiti ustrezne pritrdilne elemente in pravilno postavitvev podnožja opornika. Pristojna oseba mora opravljati nadzor nad potekom uporabe opornika in pritrjene opreme za zaščito pred padcem.
- 1.4 DOKUMENTACIJA O IZVEDENIH DELIH:** Ko sta sestavljanje in montaža podnožij opornika končana, mora monter izdelati montažno dokumentacijo, ki izpolnjuje informativne zahteve standardov EN 795, Priloga A, in jo izročiti pooblaščenemu zastopniku uporabnika. Montažna dokumentacija se mora hraniti na kraju izvajanja del za poznejši pregled.
- 1.5 USPOSABLJANJE:** To opremo morajo namestiti in jo lahko uporabljajo samo osebe, ki so usposobljene za pravilno namestitvev in uporabo opreme. Ta priročnik se lahko uporabi kot sestavni del programa za usposabljanje zaposlenih in/ali regijskih predpisov. Uporabniki in monterji te opreme so odgovorni za seznanitev s temi navodili in za ustrezno usposabljanje, ki jim zagotavlja pravilno skrb za to opremo in njeno pravilno uporabo; poleg tega so odgovorni za seznanitev z delovnimi značilnostmi, omejitvami uporabe in posledicami nepravilne uporabe te opreme.
- 1.6 NAČRT REŠEVANJA:** Pri uporabi opornika in s tem povezane opreme za zaščito pred padcem mora imeti delodajalec pripravljen načrt reševanja in pripravljena, hitro dostopna sredstva za izvajanje tega načrta in njegovo posredovanje uporabnikom. Priporoča se zagotavljanje usposobljene reševalne ekipe na kraju izvajanja del. Članom reševalne ekipe je treba zagotoviti opremo in tehnike za izvedbo uspešnega reševanja. Usposabljanje je treba izvajati periodično za zagotavljanje strokovnosti in spretnosti pri reševanju.
- 1.7 POGOSTOST PREGLEDOV:** Uporabnik mora podnožje opornika pregledati pred vsako uporabo; poleg tega mora pristojna oseba, ki ni uporabnik, v intervalih, ki ne smejo biti daljši od enega leta, opraviti dodatni pregled.³ Postopki pregledov so opisani v »Dnevniku pregledov in vzdrževanja«. Rezultati vsakega pregleda, ki ga opravi pristojna oseba, morajo biti vpisani v kopijah »Dnevnika pregledov in vzdrževanja«.

2.0 SISTEMSKÉ ZAHTEVE

- 2.1 SIDRANJE IN PRITRDILNI ELEMENTI:** Katera koli konstrukcija in pritrdilni elementi (pritrdilni elementi, če je primerno), ki se uporabijo za pritrditev podnožja opornika, morajo izpolniti »Zahteve za montažo«, navedene v tabeli 1.
- 2.1 ZDRUŽLJIVOST SESTAVNIH DELOV:** Oprema znamke 3M je namenjena samo za uporabo z drugimi odobrenimi deli in podsistemi znamke 3M. Nadomeščanje ali zamenjava komponent z neodobrenimi komponentami ali podsistemi lahko ogrozi združljivost opreme in lahko vpliva na varnost in zanesljivost celotnega sistema.
- 2.2 SISTEM ZA ZAUSTAVITEV PADCA OSEB:** Sistemi za zaustavitev padca oseb (PFAS), uporabljeni z opornim sistemom, morajo izpolnjevati veljavne standarde, predpise in zahteve za zagotavljanje zaščite pred padcem. Sistemi za zaustavitev padca oseb (PFAS) morajo uporabljati varovalno-pozicijski pas za celotno telo in omejiti silo zaviranja (pri zaviranju vrvi v primeru padca) na naslednje vrednosti:

	Največja sila zaviranja	Prosti padec
Sistem za zaustavitev padca oseb (PFAS) z vrvjo za blaženje sunkov	6 kN (1350 funtov)	Za omejitve prostega padca glejte navodila, priložena vaši vrvi z zaključno zanko ali samopovratni varovalni napravi (SRD).
Sistem za zaustavitev padca oseb (PFAS) s samopovratno varovalno napravo (SRD)	6 kN (1350 funtov)	

- 2.3 NEVARNOSTI:** Pri uporabi te opreme na nevarnih območjih se lahko zahtevajo dodatni previdnostni ukrepi za preprečitev možnosti poškodb uporabnika ali opreme. Za posebne nevarnosti, ki lahko vplivajo na uporabo sistema, glejte navodila za oporni drog 3M.

¹ **Pristojna oseba:** Oseba, ki je sposobna prepoznati obstoječe in morebitne nevarnosti v okolju ali delovnih pogojih, ki so nehygienične, življenjsko nevarne ali tvegane za zaposlene, in ki je pooblaščen, da nemudoma ukrepa s korektivnimi ukrepi za odpravljanje prepoznanih nevarnosti.

² **Kvalificirana oseba:** Posameznik, ki ima priznano stopnjo izobrazbe ali poklicno spričevalo in veliko izkušenj na področju zaščite pred padcem. Ta posameznik mora biti sposoben načrtovati, analizirati, ocenjevati in izdelovati specifikacije na področju zaščite pred padcem.

³ **Pogostost pregledov:** Ekstremni delovni pogoji (težke klimatske razmere, daljša uporaba varovalne opreme ipd.) bodo morda zahtevali pogostejše preglede (krajše časovne presledke med pregledi), ki jih opravijo pristojne osebe.

3.0 SESTAVLJANJE

3.1 NAČRTOVANJE: Načrtujte sistem za zaščito pred padcem še pred namestitvijo podnožja tridelne dvizne roke visoke nosilnosti. Upoštevajte vse dejavnike, ki bi lahko vplivali na vašo varnost pred padcem, med njim in po njem. Za določitev ustreznih pritrilnih elementov in pravilno montažo podnožja tridelne dvizne roke visoke nosilnosti na konstrukcijo za sidranje upoštevajte vse zahteve, opredeljene v razdelku 2 in preglednici 1.

- **Sidrišče:** Pri sidranju podnožja tridelne dvizne roke visoke nosilnosti morate izpolniti zahteve za obtežbo sidrišča, ki so navedene v razdelku 2, in vertikalne obtežbe, navedene v preglednici 1.

3.2 SESTAVLJANJE PODNOŽJA TRIDELNE DVIZNE ROKE VISOKE NOSILNOSTI: Slika 5 prikazuje namestitev podnožja tridelne dvizne roke visoke nosilnosti. Pritrdite podnožje tridelne dvizne roke visoke nosilnosti na vodoravno ploščo, ki ustreza zahtevam glede trdnosti podlage, navedenim v preglednici 1, denimo na betonsko ali jekleno konstrukcijo:

1. Vstavite vezne elemente nog (E) v središčni del (H).
2. Položite sistem na tla na približno območje, kjer je predvidena njegova uporaba, pri tem pa odpravite vse potencialne nevarnosti za padec.
3. Ko je sklop noge (D) pravokoten na središčni del (H), držite sklop noge pokonci in dvignite vezni element noge (E) na sklop noge (D) z uporabo jezičkov na nogah, da nastavite končni vezni element na ustrezno mesto.
4. Vstavite pritrilne zatiče (I), s katerimi je sklop noge (D) pritrjen na vezni element noge (E), in zavarujte s priloženim osnikom.
5. Ponovite postopek za nogo na nasprotni strani.
6. Nastavite sklop podnožja na želeno višino in vstavite zadrževalne zatiče (C) do konca skozi središčni del (H), da zavarujete vezne elemente nog (E). Privijte ročne vijake (B) na hrbtni strani središčnega dela (H).
7. Nastavite izravnalne nogice (F) tako, da izravnate sklop podnožja, pri tem pa uporabite priložen izravnalni mehurček (J) in se prepričajte, da je mehurček v referenčnem krogu.

Prepričajte se, da so vsi zatiči do konca vstavljeni, in pred uporabo namestite osnike na ustrezno mesto. Glejte sliko 4.

4.0 UPORABA

4.1 PRED VSAKO UPORABO: Prepričajte se, da vaše delovno območje in sistem za zaustavitev padca oseb (PFAS) ustrežata vsem merilom, določenim v razdelku 2, in da je izdelan uraden načrt reševanja. Preglejte podnožje tridelne dvizne roke visoke nosilnosti skladno s kontrolnimi mesti »Uporabnika«, določenimi v »Dnevniku pregledov in vzdrževanja«, v tabeli 2. Če se ob pregledu ugotovi, da sistem ni varen oziroma da je v okvari, ga ne uporabljajte. Izločite sistem iz uporabe in ga uničite oziroma stopite v stik z družbo 3M glede zamenjave ali popravila.

4.2 DELOVNO OBMOČJE: Podnožje tridelne dvizne roke visoke nosilnosti 3M se sme uporabljati le na dovoljenem delovnem območju med najdaljšima stranicama sklopov nog. Oglejte si sliko 3.

Delovno območje: Sistem lahko postane nestabilen, če se uporablja zunaj varnega delovnega območja na sliki 3.

5.0 PREGLED

5.1 POGOSTOST PREGLEDOV: Podnožje tridelne dvizne roke visoke nosilnosti je treba pregledovati v rednih časovnih presledkih, ki so določeni v razdelku 1. Postopki pregledov so opisani v »Dnevniku pregledov in vzdrževanja«, v tabeli 2. Vse sestavne dele sistema za zaščito pred padcem pregledujte tako pogosto, kot je določeno v navodilih proizvajalca, in skladno s postopki, ki so določeni v njih.

5.2 NAPAKE: Če pri pregledu ugotovite, da podnožje tridelne dvizne roke visoke nosilnosti ni varno ali ima napako, ga takoj izločite iz uporabe in stopite v stik z družbo 3M glede zamenjave ali popravila. Ne poskušajte sami popravljati sistema za zaustavitev padca.

Dovoljena so samo pooblašena popravila: Samo podjetje 3M ali pogodbeniki, ki imajo pisno pooblastilo, lahko izvajajo popravila te opreme.

5.3 ŽIVLJENJSKA DOBA IZDELKA: Uporabna življenjska doba sistema za zaustavitev padca je določena z delovnimi pogoji in vzdrževanjem. Dokler izdelek med pregledom izpolnjuje merila za uporabnost, ga lahko uporabljate.

6.0 VZDRŽEVANJE, SERVISIRANJE IN SKLADIŠČENJE


6.1 ČIŠČENJE: Kovinske sestavne dele podnožja tridelne dvizne roke visoke nosilnosti redno čistite z mehko ščetko, toplo vodo in blago milnico. Poskrbite, da se deli temeljito sperejo s čisto vodo.

6.2 SERVIS: Popravila te opreme lahko opravlja samo družba 3M ali oseba, ki je pridobila pisno pooblastilo družbe 3M. Če je bilo podnožje tridelne dvizne roke visoke nosilnosti izpostavljeno silam ob zaustavitvi padca ali če ste pri pregledu ugotovili, da ni varno ali da je pomanjkljivo, izločite sistem iz uporabe in stopite v stik z družbo 3M glede zamenjave ali popravila.

6.3 SKLADIŠČENJE IN TRANSPORT: Kadar podnožje tridelne dvižne roke visoke nosilnosti in povezana oprema za zaščito pred padcem nista v uporabi, ju morate pospraviti in peljati v skladiščenje v hladnem, suhem in čistem okolju, stran od neposredne sončne svetlobe. Izogibajte se območjem, kjer obstaja verjetnost kemičnih hlapov. Po vsakem daljšem obdobju skladiščenja temeljito preglejte sestavne dele.

7.0 NAPISNE PLOŠČICE IN NALEPKE

Slika 6 prikazuje napisne ploščice/nalepke na podnožju tridelne dvižne roke visoke nosilnosti. Napisne ploščice/nalepke, ki niso popolno čitljive, morate zamenjati. Informacije, zagotovljene na posamezni napisni ploščici/nalepki, so naslednje:

	Preberite vsa navodila.
①	A) Izdelava (leto, mesec) B) Številka modela C) Serijska številka
②	Varno delovno območje.
③	Opozorilo glede pritrditve zatičev
④	Certifikat po standardih CE
⑤	Certifikat po standardih AS/NZS
⑥	EN1496:2006 Razred B
⑦	8000104 Največji odmik dvižne roke, Sistem za zaustavitev padca oseb (PFAS), Nosilnost pri ravnanju z materiali
⑦	8000105 Največji odmik dvižne roke, Sistem za zaustavitev padca oseb (PFAS), Nosilnost pri ravnanju z materiali

Preglednica 3 – Dnevnik pregledov in vzdrževanja

Preglednica 3 – Dnevnik pregledov in vzdrževanja			
Datum pregleda:		Pregledal:	
Sestavni deli:	Pregled: (Glejte razdelek 1 za Pogostost pregledov)	Uporabnik	Pristojna oseba ¹
Podnožje tridelne dvižne roke visoke nosilnosti (slika 2)	Preglejte podnožje tridelne dvižne roke visoke nosilnosti in se prepričajte, da na njem ni razpok, zarez ali deformacij.	<input type="checkbox"/>	<input type="checkbox"/>
	Preglejte celotno napravo in se prepričajte, da nikjer ni znakov čezmerne korozije.	<input type="checkbox"/>	<input type="checkbox"/>
	Potrdite, da so pritrdilni in zadrževalni zatiči v celoti vstavljeni in zavarovani z osniki, če je primerno.	<input type="checkbox"/>	<input type="checkbox"/>
Nalepke (slika 7)	Prepričajte se, da so vse nalepke varno pritrjene in čitljive (glejte »Nalepke«).	<input type="checkbox"/>	<input type="checkbox"/>
PFAS in druga oprema	Dodatno opremo za sistem za zaustavitev padca oseb (PFAS) (jermenje za telo, rešilne vrvi s samodejnim uvlečenjem (SRL) itd.), ki se uporablja s podnožjem tridelne dvižne roke visoke nosilnosti (HC), je treba namestiti in pregledati skladno z navodili proizvajalca.	<input type="checkbox"/>	<input type="checkbox"/>
Serijske številke:		Datum nakupa:	
Številka modela:		Datum prve uporabe:	
Popravljalni ukrep/vzdrževanje:		Odobril/-a:	
		Datum:	
Popravljalni ukrep/vzdrževanje:		Odobril/-a:	
		Datum:	
Popravljalni ukrep/vzdrževanje:		Odobril/-a:	
		Datum:	
Popravljalni ukrep/vzdrževanje:		Odobril/-a:	
		Datum:	
Popravljalni ukrep/vzdrževanje:		Odobril/-a:	
		Datum:	
Popravljalni ukrep/vzdrževanje:		Odobril/-a:	
		Datum:	
Popravljalni ukrep/vzdrževanje:		Odobril/-a:	
		Datum:	
Popravljalni ukrep/vzdrževanje:		Odobril/-a:	
		Datum:	
Popravljalni ukrep/vzdrževanje:		Odobril/-a:	
		Datum:	
Popravljalni ukrep/vzdrževanje:		Odobril/-a:	
		Datum:	
Popravljalni ukrep/vzdrževanje:		Odobril/-a:	
		Datum:	
Popravljalni ukrep/vzdrževanje:		Odobril/-a:	
		Datum:	
Popravljalni ukrep/vzdrževanje:		Odobril/-a:	
		Datum:	

¹ **Pristojna oseba:** Oseba, ki je sposobna prepoznati obstoječe in morebitne nevarnosti v okolju ali delovnih pogojih, ki so nehygienične, življenjsko nevarne ali tvegane za zaposlene, in ki je pooblaščen, da nemudoma ukrepa s korektivnimi ukrepi za odpravljanje opaženih nevarnosti.

Läs igenom, se till att du förstår och följ all säkerhetsinformation i denna bruksanvisning innan du använder denna enhet för ingång/räddning i trånga utrymmen. OM DETTA INTE GÖRS KAN DET LEDA TILL ALLVARLIGA SKADOR ELLER DÖDSFALL.

Dessa anvisningar måste tillhandahållas för den som ska använda denna utrustning. Spara dessa instruktioner för framtida referens.

Avsedd användning:

Denna enhet för ingång/räddning i trånga utrymmen är avsedd att användas som en del av ett komplett personligt fallskydds- eller räddningssystem.

Användning för andra syften, inklusive men ej begränsat till, icke godkända materialhanteringsapplikationer, fritids- och idrottsaktiviteter samt andra aktiviteter som inte beskrivs i bruksanvisningen eller installationsanvisningen, godkänns inte av 3M och kan leda till allvarlig personskada eller dödsfall.

Denna enhet ska endast användas av utbildade användare för professionellt bruk.

VARNING

Den här enheten för ingång/räddning i trånga utrymmen är en del av ett personligt fallskydds- eller räddningssystem. Alla användare förväntas vara fullständigt utbildade i säker installation och användning av hela systemet. **Felaktig användning av den här enheten kan resultera i allvarlig skada eller dödsfall.** För korrekt val, användning, installation, underhåll och service hänvisas till alla bruksanvisningar för produkten och alla rekommendationer från tillverkaren, din arbetsledare eller 3M:s tekniska kundtjänst.

- **För att minska riskerna i samband med arbete med en enhet för ingång/räddning i trånga utrymmen, som om de inte undviks, kan leda till allvarliga personskador eller dödsfall:**
 - Kontrollera enheten före varje användning, minst en gång per år och efter varje fallhändelse. Utför kontrollen enligt bruksanvisningen.
 - Om inspektion avslöjar ett osäkert eller defekt tillstånd ska du ta anordningen ur drift och reparera eller byta ut den i enlighet med bruksanvisningen.
 - Varje enhet som har utsatts för fallstopp eller fallkraft måste omedelbart tas ur bruk. Se bruksanvisningarna eller kontakta 3M Fall Protection.
 - Enheten får endast installeras på det sätt som beskrivs i installationsanvisningarna eller bruksanvisningarna. Installation och användning på annat sätt än enligt anvisningarna måste godkännas skriftligen av 3M Fall Protection.
 - Underlaget eller strukturen i vilken utrustningen fästs måste kunna bära de statiska laster som anges för utrustningen i de riktningar som är tillåtna enligt bruksanvisningarna eller installationsanvisningarna.
 - Överskrid inte tillåtet antal användare.
 - Arbeta aldrig under en hängande last eller arbetare.
 - Iaktta försiktighet vid installation, användning och förflyttning av utrustningen eftersom delar i rörelse kan ge upphov till klämpunkter. Se bruksanvisningarna.
 - Säkerställ att lämpliga procedurer för låsning/spärrning följs när det är tillämpligt.
 - Anslut aldrig till ett system förrän detta har positionerats och fullständigt monterats, justerats och installerats. Justera inte systemet när en användare är ansluten.
 - Koppla endast delsystem till avsedda förankringskopplingar på utrustningen.
 - Säkerställ före borring eller infästning att inga elledningar, gasledningar eller andra kritiska dolda system kommer i kontakt med borren eller utrustningen.
 - Se till att fallskyddssystem och delsystem som är monterade med komponenter från olika tillverkare är kompatibla och uppfyller kraven i tillämpliga standarder, inklusive ANSI Z359 eller andra tillämpliga regler, standarder eller krav på fallskydd. Anlita alltid en kompetent eller kvalificerad person före användning av dessa system.
- **För att minska risker för allvarlig skada eller dödsfall vid arbete på höga höjder:**
 - Se till att din hälsa och fysiska kondition medger att du säkert kan motstå alla krafter i samband med arbete på hög höjd. Rådgör med läkare om du har frågor kring din förmåga att använda den här utrustningen.
 - Överskrid aldrig din fallskyddsutrustnings godkända kapacitet.
 - Överskrid aldrig din fallskyddsutrustnings maximala avstånd för fritt fall.
 - Använd aldrig fallskyddsutrustning som inte godkänts vid inspektion före användning eller andra schemalagda inspektioner, eller om du är osäker på huruvida utrustningen kan användas eller lämpar sig för ditt tillämpningsområde. Vänd dig till 3M:s tekniska kundtjänst med eventuella frågor.
 - Vissa kombinationer av undersystem och komponenter kan störa utrustningens funktionsduglighet. Använd endast kompatibla kopplingar. Rådfråga 3M innan du använder denna utrustning i kombination med andra komponenter eller undersystem än de som beskrivs i bruksanvisningen.
 - Iaktta särskild försiktighet vid arbete i närheten av rörliga maskindelar (t.ex. toppspindel på oljerigg), elfara, höga temperaturer, farliga kemikalier, explosiva eller giftiga gaser, skarpa kanter eller under material som kan falla ner på dig eller din fallskyddsutrustning.
 - Använd Arc Flash- eller Hot Works-enheter vid arbete i miljöer med höga temperaturer.
 - Undvik ytor och föremål som kan skada användare eller utrustning.
 - Se till att det finns tillräcklig fallmarginal vid arbete på höga höjder.
 - Du skall aldrig modifiera eller ändra din fallskyddsutrustning. Endast 3M eller av 3M skriftligen auktoriserade parter får utföra reparationer på utrustningen.
 - Innan du använder fallskyddsutrustning skall du kontrollera att det finns en räddningsplan som medger snabb räddning vid eventuellt fall.
 - Vid fall bör arbetaren som fallit få omedelbar läkarvård.
 - Ett kroppsbälte får ej användas för fallstoppstillämpningar. Använd endast helkroppsselar.
 - Minimera risken för pendelfall genom att arbeta med förankringspunkten så rakt ovanför dig som möjligt.
 - Vid utbildning i användning av den här enheten måste ett andra fallskyddssystem användas för att inte utsätta personen som utbildas för en oavsiktlig fallrisk.
 - Använd alltid lämplig personlig skyddsutrustning vid installation, användning eller inspektion av enheten/systemet.

Anteckna informationen om produktidentifiering från ID-etiketten i besiktnings- och underhållsloggen (tabell 2) på baksidan av denna bruksanvisning innan denna utrustning installeras och används.

PRODUKTBESKRIVNING:

Figur 1 visar 3M™ DBI-SALA® dävertfot HC i tre delar för ingång och räddning i trånga utrymmen. Dävertfot för hög kapacitet (HC) i tre delar är avsedd för att installeras på ett horisontellt underlag och hålla masten till en kompatibel 3M DBI-SALA dävert för ingång och räddning i trånga utrymmen.

Figur 2 illustrerar ingående komponenter i dävertfot HC i tre delar, med specifikationer i Tabell 1. Dävertfot HC i tre delar består av en centralsektion (H) med en integrerad mantel (A), försedd med skjutbara beninfästningar (E) på varje sida som låses för önskad vidd med öglesprintar (C) och triskruvar (B). Benmontagen (D) fästs i beninfästningarna (E) med öglesprintarna (I) och kan höjjusteras med de justerbara fötterna (F) med hjälp av justeringshandtagen (G).

Tabell 1 – Specifikationer

Specifikation för dävertfot:	
Mått	Se Figur 1 angående mått för dävertfot HC
Dävertfotens vikt	8000104 37,5 kg (82,7 lb) 8000105 50,5 kg (111,3 lb)
Kompatibilitet	De varianter av dävertfot som omfattas av denna instruktion är kompatibla med 3M™ DBI-SALA® dävartsystem HC för kort och lång räckvidd.
Monteringskrav:	
Vertikal last på konstruktion:	13,8 kN (3 100 lb)

Komponentspecifikationer:		
Figur 2 hänvisning	Komponent	Material
Ⓐ	Mantel	Aluminium med högdensitetspolyeten (HDPE)
Ⓑ	Trekantsskruvar	Zinkpläterat och pulverlackerat stål
Ⓒ	Öglesprintar	Zinkpläterat stål
Ⓓ	Benmontage	Aluminium och zinkpläterat stål
Ⓔ	Beninfästningar	Aluminium
Ⓕ	Justerbar fot	Zinkpläterat stål
Ⓖ	Justeringshandtag	Zinkpläterat stål
Ⓗ	Centrumsektion	Aluminium
Ⓘ	Låssprintar	Zinkpläterat stål
Ⓙ	Libell	

Viktkapacitet:	
Kapacitet för materialhantering	205 kg (452 lb)

1.0 PRODUKTANVÄNDNING

- 1.1 SYFTE:** Dävertstativ är konstruerade för montering av kompatibla 3M dävertsystem. Se instruktionerna för respektive dävertsystem angående deras användning och funktioner.
- 1.2 STANDARDER:** SRL-blocket överensstämmer med de nationella eller harmoniserade standarder som återges på framsidan av dessa instruktioner. Om denna produkt återförsäljs utanför det ursprungliga mottagarlandet, måste återförsäljaren tillhandahålla denna bruksanvisning på språket i det land där produkten kommer att användas.
- 1.3 INSTALLATION OCH ÖVERVAKNING:** Installation av dävertstativet skall övervakas av en kompetent person¹. En kvalificerad person² skall kontrollera att det installerade systemet uppfyller gällande bestämmelser. En kvalificerad person skall rekommendera lämpliga fästelement och lämplig placering av dävertstativet. Användning av dävert och infäst fallskyddsutrustning skall övervakas av en kompetent person.
- 1.4 PLATSDOKUMENTATION:** Efter montering och installation av dävertstativ skall dokumentation av installationen enligt kraven som anges i EN795 Bilaga A fyllas i av installatören och överlämnas till användarens utsedda representant. Installationsdokumentationen skall förvaras på arbetsplatsen och vara tillgänglig för efterföljande undersökningar.
- 1.5 UTBILDNING:** Denna utrustning måste installeras och användas av personer som är utbildade för korrekt användning av den. Denna manual kan ingå i utbildningsprogram för anställda och/eller lokala bestämmelser. Det är de som använder och installerar denna utrustning som ansvarar för att säkerställa att de är förtrogna med dessa anvisningar, utbildade för korrekt skötsel och användning av denna utrustning samt medvetna om driftsegenskaperna, tillämpningsbegränsningar och konsekvenserna av felaktig användning av denna utrustning.
- 1.6 RÄDDNINGSPLAN:** Vid användning av dävertstativet med förankrad fallskyddsutrustning skall arbetsgivaren ha en räddningsplan och hjälpmedel tillgängliga för genomförande och kommunikering av planen till användarna. Ett utbildat räddningsteam på plats rekommenderas. Teamets medlemmar ska föras med utrustning och metoder för att utföra en framgångsrik räddningsoperation. Regelbunden utbildning ska tillhandahållas för att säkerställa räddningspersonalens kompetens.
- 1.7 BESIKTNINGSINTERVALL:** Dävertstativet skall besiktas av användaren före varje användning och dessutom av en kompetent person, annan än användaren, minst en gång per år.³ Besiktningrutinerna beskrivs i "Besiktning- och underhållslogg". Resultatet av varje kompetent persons besiktning ska registreras på kopior av "Besiktning- och underhållsloggen".

2.0 SYSTEMKRAV

- 2.1 FÖRANKRING OCH FÄSTELEMENT:** Alla strukturer och infästningar (fästelement om tillämpligt) som används för att fästa dävertstativet skall uppfylla monteringskraven i tabell 1.
- 2.1 KOMPONENTERS KOMPATIBILITET:** Utrustning från 3M är endast avsedd att användas med 3M-godkända komponenter och undersystem. Ersättning eller utbyte mot icke godkända komponenter eller undersystem kan äventyra utrustningens kompatibilitet och även påverka hela systemets säkerhet och tillförlitlighet.
- 2.2 PERSONLIGT FALLSKYDDSSYSTEM:** Personliga fallskyddssystem (PFAS), som används tillsammans med denna utrustning, måste uppfylla tillämpliga standarder och anvisningar. PFAS-system med helkroppssle skall användas, som begränsar den maximala stoppkraften till följande värden:

	Högsta tillåtna stoppkraft	Fritt fall
PFAS med stötdämpande lina	6 kN (1 350 lb)	Se instruktionerna som medföljer livlinan eller SRD-blocket angående begränsningar för fritt fall.
PFAS med självindragande lina (SRL-block)	6 kN (1 350 lb)	

- 2.3 FAROR:** Vid användning av utrustningen på platser med miljöfaror kan ytterligare försiktighetsåtgärder krävas för att undvika att användare eller utrustning skadas. Se instruktioner för 3M dävertmast angående specifika risker som kan påverka användningen av systemet.

1 Kompetent person: En person som kan identifiera befintliga och förutsägbara risker i omgivningarna, eller arbetsförhållanden som är hälsovådliga, riskfyllda eller farliga för anställda och som har behörighet att vidta omedelbara korrigerande åtgärder för att eliminera dessa.

2 Kvalificerad person: Det ska vara en person med intygat erkänd professionell nivå och omfattande erfarenhet av fallskydd. Denna person måste vara väl insatt i konstruktion, analys, utvärdering och specifikation av fallskydd.

3 Besiktningintervall: Extrema arbetsförhållanden (hård miljö, lång tids användning m.m.) kan kräva tätare besiktningar av kompetent person.

3.0 MONTERING

3.1 PLANERING: Gör en plan för fallskyddssystemet före installationen av dävertfot HC. Beakta alla faktorer som kan påverka säkerheten före, under och efter ett fall. Beakta alla krav som anges i Avsnitt 2 och Tabell 1 för att bestämma korrekta fästen och placering för montering av dävertfot HC i tre delar på konstruktionen.

- **Förankring:** Den konstruktion som dävertfot HC i tre delar monteras på måste uppfylla belastningskraven för förankringar, angivna i Avsnitt 2 och kraven för momentbelastning och vertikal belastning, angivna i Tabell 1.

3.2 MONTERA DÄVERTFOT HC I TRE DELAR: I Figur 5 visas installation av dävertfot HC i tre delar. Montera dävertfot HC i tre delar på ett horisontellt underlag, exempelvis en stål- eller betongkonstruktion, som uppfyller hållfasthetskraven i Tabell 1.

1. För in beninfästningarna (E) i centrumsektionen (H).
2. Lägg ut komponenterna på underlaget ungefär på de platser de kommer att användas för eliminering av möjliga fallrisker.
3. Rikta in benmontaget (D) vinkelrätt mot centrumsektionen (H), håll benmontaget upprätt och lyft beninfästningen (E) upp i benmontaget (D) med hjälp av flikarna på benen för att styra in anslutningen i läge.
4. För in låssprintarna (I) för att fästa benmontaget (D) i benanslutningen (E) och säkra med hjälp av vidhängande öglesprint.
5. Upprepa för benet på motsatt sida.
6. Justera formontaget till önskad vidd och sätt i öglesprintarna (C) helt genom centrumsektionen (H) så att benanslutningarna (E) säkras. Dra åt trekantsskruvarna (B) på centrumsektionens (H) baksida.
7. Justera levelleringsfötterna (F) så att fotmontaget står i våg med hjälp av libellen (J) så att bubblan ligger inom markerad cirkel.

Kontrollera att alla sprintar är helt isatta och att öglesprintarna sitter på plats före användning. Se figur 4.

4.0 ANVÄNDNING

4.1 FÖRE VARJE ANVÄNDNING: Kontrollera att arbetsområdet och det personliga fallskyddssystemet (PFAS) uppfyller alla villkor som definieras i Avsnitt 2 och att en formell räddningsplan har upprättats. Kontrollera dävertfot HC i tre delar enligt "Användarens kontrollpunkter" som finns i "Besiktning- och underhållslogg" i tabell 2. Använd inte systemet om ett osäkert eller defekt tillstånd upptäcks vid besiktning. Ta systemet ur drift och förstör det eller kontakta 3M för utbyte eller reparation.

4.2 ARBETSOMRÅDE: 3M dävertfot HC i tre delar får endast användas inom tillåtet arbetsområde mellan de längre sidorna av benmontagen. Se figur 3.

Arbetsområde: Systemet kan bli instabilt om det används utanför det säkra arbetsområdet, enligt Figur 3.

5.0 BESIKTNING

5.1 BESIKTNINGSINTERVALL: Dävertfot HC i tre delar skall besiktas med de intervall som anges i Avsnitt 1. Besiktningens procedurer beskrivs i "Besiktning- och underhållslogg" i tabell 2. Kontrollera alla andra komponenter i fallskyddssystemet med de intervall och enligt procedurer som föreskrivs av tillverkaren.

5.2 DEFEKTER: Om osäkra eller defekta tillstånd upptäcks under besiktningen ska dävertfoten med hög kapacitet omedelbart tas ur bruk. Kontakta därefter 3M för utbyte eller reparation. Gör inga försök att reparera fallskyddssystemet.

Får endast repareras av auktoriserad verkstad: ENDAST 3M eller skriftligen auktoriserade parter får utföra reparationer på utrustningen.

5.3 PRODUKTENS LIVSLÄNGD: Fallskyddssystemets livslängd avgörs av arbetsförhållanden och underhåll. De får användas så länge de uppfyller besiktningenskraven.

6.0 UNDERHÅLL, SERVICE, FÖRVARING


6.1 RENGÖRING: Rengör regelbundet dävertfotens metallkomponenter med en mjuk borste, varmt vatten och en mild tvållösning. Se till att delarna sköljs grundligt med rent vatten.

6.2 SERVICE: Endast 3M eller parter med skriftligt godkännande från 3M får reparera utrustningen. Ta systemet ur drift och kontakta 3M för utbyte eller reparation om dävertfot HC i tre delar visar tecken på osäkert eller defekt tillstånd vid besiktning.

6.3 FÖRVARING OCH TRANSPORT: Förvara dävertfot HC i tre delar och tillhörande fallskyddsutrustning på sval, torr och ren plats skyddat mot direkt solljus. Undvik platser där det kan finnas kemiska ångor. Kontrollera komponenterna noggrant efter långvarig förvaring.

7.0 ETIKETTER

Figur 6 visar vilka etiketter som finns på dävertfot HC i tre delar. Etiketter som inte är helt läsliga skall bytas ut. Följande information finns på etiketterna:

	Läs alla instruktioner.
①	A) Tillverkad (år, månad) B) Modellnummer C) Serienummer
②	Säkert arbetsområde
③	Varning, sprintinfästning
④	CE-märkning
⑤	Intyg för AS/NZS-standarder
⑥	EN1496:2006 klass B
⑦	8000104 Största dävertarmutliggning, personligt fallskyddssystem (PFAS), kapacitet för materialhantering
⑦	8000104 Största dävertarmutliggning, personligt fallskyddssystem (PFAS), kapacitet för materialhantering

Tabell 3: Besiktning- och underhållslogg

Besiktningensdatum:		Besiktning utförd av:	
Komponenter:	Besiktning: (Se avsnitt 1 avseende besiktningintervall)	Användare	Kompetent person ¹
Dävertfot med hög kapacitet (HC) i tre delar (Figur 2)	Kontrollera därvertfot HC i tre delar med avseende på sprickor, bucklor eller deformationer.	<input type="checkbox"/>	<input type="checkbox"/>
	Kontrollera hela enheten med avseende på skadlig korrosion.	<input type="checkbox"/>	<input type="checkbox"/>
	Kontrollera att låssprintar och stoppsprintar är helt isatta och om lämpligt säkrade med säkringssprintar.	<input type="checkbox"/>	<input type="checkbox"/>
Etiketter figur 7	Kontrollera att alla etiketter sitter säkert fast och är läsbara (se "Etiketter")	<input type="checkbox"/>	<input type="checkbox"/>
PFAS och övrig utrustning	Ytterligare utrustning för personligt fallskyddssystem (PFAS) (sele, SRL osv.), som används tillsammans med dävertfot HC i tre delar, ska installeras och besiktas enligt tillverkarens anvisningar.	<input type="checkbox"/>	<input type="checkbox"/>
Serienummer:		Inköpsdatum:	
Modellnummer:		Datum för första användning:	
Korrigerande åtgärd/underhåll:		Godkänt av:	
		Datum:	
Korrigerande åtgärd/underhåll:		Godkänt av:	
		Datum:	
Korrigerande åtgärd/underhåll:		Godkänt av:	
		Datum:	
Korrigerande åtgärd/underhåll:		Godkänt av:	
		Datum:	
Korrigerande åtgärd/underhåll:		Godkänt av:	
		Datum:	
Korrigerande åtgärd/underhåll:		Godkänt av:	
		Datum:	
Korrigerande åtgärd/underhåll:		Godkänt av:	
		Datum:	
Korrigerande åtgärd/underhåll:		Godkänt av:	
		Datum:	
Korrigerande åtgärd/underhåll:		Godkänt av:	
		Datum:	
Korrigerande åtgärd/underhåll:		Godkänt av:	
		Datum:	
Korrigerande åtgärd/underhåll:		Godkänt av:	
		Datum:	

1 Kompetent person: En person som kan identifiera befintliga och förutsägbara risker i omgivningarna, eller arbetsförhållanden som är hälsovådliga, riskfyllda eller farliga för anställda och som har behörighet att vidta omedelbara korrigerande åtgärder för att eliminera dessa.

GÜVENLİK BİLGİLERİ

Bu Sınırlandırılmış Alan Girişi/Kurtarma Cihazını kullanmadan önce bu talimatlardaki tüm güvenlik bilgilerini okuyun, anlayın ve izleyin. BUNUN YAPILMAMASI AĞIR YARALANMAYA VEYA ÖLÜME YOL AÇABİLİR.

Bu talimatlar, bu ekipmanın kullanıcılarına verilmelidir. Bu talimatları ileride kullanmak üzere saklayın.

Kullanım Amacı:

Sınırlandırılmış Alan Girişi/Kurtarma Cihazı, düşmeye karşı komple bir kişisel koruma veya kurtarma sisteminin parçası olarak kullanılmak içindir.

Bunlarla sınırlı olmaksızın onaylanmamış malzeme elleçleme uygulamaları, eğlence veya spor ile ilgili faaliyetler veya Kullanıcı Talimatları veya Kurulum Talimatlarında açıklanmamış diğer faaliyetler dâhil olmak üzere başka bir uygulamada kullanılması 3M tarafından onaylanmamaktadır ve ağır yaralanmaya veya ölüme yol açabilir.

Bu cihaz yalnızca iş yeri uygulamalarında eğitim almış kullanıcılar tarafından kullanıma yöneliktir.

⚠ UYARI

Sınırlandırılmış Alan Girişi/Kurtarma Cihazı, düşmeye karşı kişisel koruma veya kurtarma sisteminin bir parçasıdır. Tüm kullanıcıların tam sistemin güvenli şekilde takılması ve kullanılması konusunda eksiksiz olarak eğitim almış olmaları beklenir. **Ürün sınırlamalarına uyulmaması ağır yaralanmaya veya ölüme yol açabilir.** Doğru şekilde seçmek, çalıştırmak, takmak ve bakımını ve servisini yapmak için tüm Ürün Talimatlarına ve tüm üretici tavsiyelerine bakın, amirinize sorun veya 3M Teknik Servisine danışın.

- **Sakınılmadığı takdirde ağır yaralanmaya veya ölüme yol açabilecek olan bir Sınırlandırılmış Alan Girişi/Kurtarma Cihazı ile çalışmanın risklerini azaltmak için:**
 - Her bir kullanımdan önce, yılda en az bir kez ve bir düşme vakasından sonra cihazı kontrol edin. Kullanım Talimatlarına uygun şekilde kontrol edin.
 - İncelemede güvenli olmayan veya kusurlu bir durumun ortaya çıkması halinde cihazı hizmet dışına çıkarın ve Kullanım Talimatlarına göre tamir edin veya değiştirin.
 - Herhangi bir düşme engelleme işlemi yapan veya darbe kuvvetine maruz kalan cihaz, hemen hizmet dışına çıkarılmalıdır. Kullanıcı Talimatlarına başvurun veya 3M Fall Protection ile iletişime geçin.
 - Cihaz yalnızca Kurulum Talimatları veya Kullanıcı Talimatlarında açıklanan şekilde takılmalıdır. Talimat kapsamı dışında kurulumlar ve kullanımlar 3M Fall Protection tarafından onaylanmalıdır.
 - Cihazın bağlandığı alt tabaka veya yapı, Kullanıcı Talimatlarında veya Kurulum Talimatlarında izin verilen yönlendirmelerdeki cihaz için belirtilen statik yüklerle dayanabilmelidir.
 - İzin verilen kullanıcı sayısını geçmeyin.
 - Hiçbir zaman askıdaki bir yükün veya işçinin altında çalışmayın.
 - Cihazı takarken, kullanırken ve hareket ettirirken dikkatli olun zira hareketli parçalar potansiyel sıkışma noktaları oluşturabilir. Kullanıcı Talimatlarına başvurun.
 - Geçerli olan uygun kilitleme/etiketleme prosedürlerinin takip edildiğinden emin olun.
 - Bir sisteme konumlandırılana, tam olarak monte edilene, ayarlanana ve kurulana kadar kesinlikle bağlantı yapmayın. Sistemde bir kullanıcı bağlı iken ayarlama yapmayın.
 - Düşme koruma alt sistemlerini yalnızca cihazın üzerindeki belirlenmiş ankraj bağlantı noktasına bağlayın.
 - Matkapla veya bağlama işleminden önce elektrik hatlarının, gaz hatlarının veya diğer kritik gömülü sistemlerin matkap ucuyla veya cihazla temas etmeyeceğinden emin olun.
 - Farklı üreticiler tarafından üretilmiş bileşenler kullanılarak monte edilmiş düşmeye karşı koruma sistemlerinin/alt sistemlerinin uyumlu olduğunu ve ANSI Z359 veya geçerli diğer düşmeye karşı koruma yasaları, standartları veya gereklilikleri dâhil olmak üzere geçerli standartların koşullarını sağladığını teyit edin. Bu sistemleri kullanmadan önce Yetkin ve/veya Nitelikli bir Kişiye danışın.
- **Sakınılmadığı takdirde ağır yaralanmaya veya ölüme yol açabilecek olan yüksekte çalışma ile ilgili riskleri azaltmak için:**
 - Sağlığınızın ve fiziksel durumunuzun yüksekte çalışma ile ilişkili tüm kuvvetlere güvenli şekilde dayanmanıza olanak vermesine dikkat edin. Bu ekipmanı kullanma yeteneğiniz ile ilgili sorularınız olduğu takdirde doktorunuza danışın.
 - Düşmeye karşı koruma donanımınızın izin verilen kapasitesini asla aşmayın.
 - Düşmeye karşı koruma donanımınızın maksimum serbest düşme mesafesini asla aşmayın.
 - Kullanım öncesi incelemeyi veya diğer programlı muayeneleri geçemeyen veya donanımın sizin uygulamanızdaki kullanımı veya uygunluğu bakımından endişeleriniz olduğu zaman hiç bir düşmeye karşı koruma donanımını kullanmayın. Tüm sorularınız için 3M Teknik Servisine danışın.
 - Bazı alt sistem ve bileşen kombinasyonları bu ekipmanın çalışmasına engel olabilir. Yalnızca uyumlu bağlantılar kullanın. Bu ekipmanı Kullanma Talimatlarında belirtilenler dışında bileşenler veya alt sistemler ile birlikte kullanmadan önce 3M'ye danışın.
 - Hareketli makineler (örneğin petrol kulelerinin üst sürücü mekanizması), elektrik tehlikeleri, aşırı sıcaklıklar, kimyasal tehlikeler, patlayıcı veya zehirli gazlar, keskin kenarlar çevresinde veya sizin veya düşmeye karşı koruma ekipmanının üzerine düşebilecek baş üstü malzemelerin altında çalışırken ilave önlemlere başvurun.
 - Yüksek ısı ortamlarında çalışırken Ark Parlama veya Sıcak Çalışma cihazları kullanın.
 - Kullanıcıya veya donanıma zarar verebilecek yüzeylerden ve nesnelere sakının.
 - Yüksekte çalışırken yeterli düşme boşluğunun bulunmasına dikkat edin.
 - Düşmeye karşı koruma donanımınızda asla tadilat veya değişiklik yapmayın. Bu ekipmanı yalnızca 3M veya 3M tarafından yazılı olarak yetki verilmiş taraflar tamir edebilir.
 - Düşmeye karşı koruma donanımını kullanmadan önce, bir düşme kazası olması durumunda, hemen kurtarma işlemi yapmaya olanak veren bir kurtarma planının bulunduğunu kontrol edin.
 - Bir düşme olayı durumunda, düşen işçi için hemen tıbbi yardım isteyin.
 - Düşmeyi engelleme uygulamaları için bir vücut kemeri kullanmayın. Sadece Tam Vücut Kemeri kullanın.
 - Ankraj noktasının mümkün olduğunca doğrudan altında çalışmak suretiyle sallanarak düşmeleri asgari düzeye indirin.
 - Bu cihaz için eğitim yaparken, eğitim alan kişinin amaçlanmamış şekilde düşme tehlikesine maruz kalmayacağı şekilde ikincil bir düşmeye karşı koruma sistemi kullanılmalıdır.
 - Cihazı/sistemi takarken, kullanırken veya muayene ederken daima uygun kişisel koruyucu donanım kullanın.

Bu ekipmanın kurulumu ve kullanımından önce, kimlik etiketindeki ürün tanımlama bilgilerini bu kılavuzun arka kısmındaki Muayene ve Bakım Günlüğüne (Tablo 2) kaydedin.

ÜRÜN AÇIKLAMASI:

Şekil 1'de 3M™ DBI-SALA® Dar Alana Giriş/Yüksek Kapasiteli (HC) Kurtarma Yüksek Kapasiteli Üç Parçalı Matafora Tabanı gösterilmektedir. Yüksek Kapasiteli Üç Parçalı Matafora Tabanı yatay bir yüzeye monte edilecek ve uyumlu bir 3M DBI-SALA Dar Alana Giriş / HC Kurtarma Mataforasının mastını içine alacak şekilde tasarlanmıştır.

Tablo 1'de tanımlanan Yüksek Kapasiteli Üç Parçalı Matafora Tabanının bileşenleri Şekil 2'de gösterilmektedir. Yüksek Kapasiteli Üç Parçalı Matafora Tabanı, her iki tarafta istenen genişlikte Kilit Pimleri (C) ve Üçlü Vidalar (B) ile kilitlemek suretiyle kaydırılarak ayarlanabilir Bacak Konnektörlerine (E) sahip bütünleşik bir Matafora Manşonu (A) bulunan Merkez Bölümü (H) içermektedir. Bacak Grupları (D) Bacak Konnektörlerine (E) Bağlantı Pimleri (I) ile bağlanır ve Ayar Kolları (G) kullanılarak Ayarlanabilir Ayaklarla (F) yüksekliği ayarlanabilir.

Tablo 1 – Teknik Özellikler

Matafora Tabanının Teknik Özellikleri:		
Ebat	Matafora Tabanı Ebatı hakkında Şekil 1'e Bakın	
Matafora Tabanının Ağırlığı	8000104 37,5 kg (82,7 lbs)	8000105 50,5 kg (111,3 lbs)
Uyumluluk	Bu talimatlar kapsamındaki Matafora Tabanları, 3M™ DBI-SALA® Yüksek Kapasiteli (HC) Kısa ve Uzun Matafora Sistemleri ile uyumludur.	
Minimum Montaj Gereklilikleri:		
Yapı Başına Dikey Yük:	13,8 Kn (3.100 lbs.)	
Bileşen Teknik Özellikleri:		
Şekil 2 Referansı	Bileşen	Malzemeler
(A)	Matafora Manşonu	Yüksek yoğunluklu Polietilen içeren Alüminyum
(B)	Üçlü Vidalar	Galvanizli ve toz boya kaplı çelik
(C)	Kilit Pimleri	Galvanizli çelik
(D)	Bacak Grupları	Alüminyum ve Galvanizli çelik
(E)	Bacak Konnektörleri	Alüminyum
(F)	Ayarlanabilir Ayaklar	Galvanizli çelik
(G)	Ayarlama Kolları	Galvanizli çelik
(H)	Merkez Bölümü	Alüminyum
(I)	Bağlantı Pimleri	Galvanizli çelik
(J)	Su Terazisi	
Ağırlık Kapasiteleri:		
Malzeme Taşıma Kapasitesi	205 kg (452 lbs)	

1.0 ÜRÜN UYGULAMASI

- 1.1 AMAÇ:** Matafora Taban, uyumlu 3M Matafora Sistemleri için tasarlanmış montaj noktasıdır. Sistem kullanımı ve işlevi için ilgili Matafora Sistemi talimatına bakın.
- 1.2 STANDARTLAR:** Bu Matafora Tabanı, bu talimatların ön kapağında belirtilen ulusal veya bölgesel standart(lar)a uymaktadır. Bu ürünün orijinal varış ülkesi dışında yeniden satılması durumunda, satıcı bu talimatları ürünün kullanılacağı ülkenin dilinde temin etmelidir.
- 1.3 KURULUM VE GÖZETİM:** Matafora Tabanının kurulumu, Yetkili bir Kişinin gözetiminde olmalıdır¹. Ehliyetli bir Kişi² yapısal kurulumun yerel ve federal düzenlemeleri karşıladığını doğrulamalıdır. Ehliyetli bir Kişi, uygun sabitleme elemanı ve uygun Matafora Tabanı yerleştirmesini önermelidir. Matafora ve takılan Düşme Koruması donanımının kullanımı, Yetkili bir Kişinin gözetiminde olmalıdır.
- 1.4 SAHA DOKÜMANTASYONU:** Matafora Tabanının montaj ve kurulumundan sonra, EN795 Ek A'nın bilgilendirme gerekliliklerini karşılayan "Kurulum Dokümantasyonu"nun kurucu tarafından tamamlanması ve kullanıcının yetkili temsilcisine teslim edilmesi gerekir. Kurulum Dokümantasyonu, daha sonraki muayeneler için çalışma sahasında tutulmalıdır.
- 1.5 EĞİTİM:** Bu ekipmanın, doğru uygulama konusunda eğitimli kişilerce kurulması ve kullanılması gerekmektedir. Bu kılavuz, çalışan eğitim programı ve/veya bölgesel düzenlemelerin bir parçası olarak kullanılabilir. Bu talimatlar hakkında bilgi sahibi olmak, ekipmanın doğru bakım ve kullanımına ilişkin eğitimli olmak ve işletim özellikleri, uygulama sınırlamaları ve bu ekipmanın hatalı kullanımından doğan sonuçların farkında olmak, bu ekipmanın kullanıcıları ve kurucularının sorumluluğundadır.
- 1.6 KURTARMA PLANI:** Matafora ve bağlı Düşme Koruması ekipmanını kullanırken, işverenin bir kurtarma planı ve bunu uygulayacak gereçleri olmalıdır ve söz konusu planı kullanıcılara iletmelidir. Eğitimli, sahada hazır bekleyen bir kurtarma ekibi önerilir. Ekip üyelerine, başarılı bir kurtarma işlemi gerçekleştirmek için gereken ekipmanlar ve teknikler sağlanmalıdır. Kurtarma yeterliliğinden emin olmak için eğitim düzenli olarak sağlanmalıdır.
- 1.7 MUAYENE SIKLIĞI:** Matafora Tabanı, Kullanıcı tarafından her kullanımdan önce ve ek olarak kullanıcı dışında Yetkili bir Kişi tarafından yılda birden fazla olmayan aralıklarla incelenmesi gereklidir.³ Muayene prosedürleri, "Muayene ve Bakım Günlüğü"nde açıklanmıştır. Her Yetkili Kişi muayenesinin sonuçları, "Muayene ve Bakım Günlüğü'nün" kopyalarına kaydedilmelidir.

2.0 SİSTEM GEREKLİLİKLERİ

- 2.1 ANKRAJ VE SABİTLEME ELEMANLARI:** Matafora Tabanına takılacak tüm yapı ve bağlantı elemanları (bağlantı elemanı varsa), Tablo 1'de tanımlanan "Montaj Gereklilikleri"ni karşılamalıdır.
- 2.1 BİLEŞEN UYUMLULUĞU:** 3M ekipmanı, sadece 3M onaylı diğer bileşenler ve alt sistemlerle birlikte kullanım için tasarlanmıştır. Onaylanmamış bileşenler veya alt sistemlerle yapılan değiştirmeler ekipmanın uyumluluğunu riske atabilir ve komple sistemin güvenliği ve güvenilirliğini etkileyebilir.
- 2.2 KİŞİSEL DÜŞME ÖNLEME SİSTEMİ:** Sistemle kullanılan Kişisel Düşme Önleme Sistemleri (PFAS), yürürlükteki Düşme Koruması standartları, kanunları ve gereklilikleriyle uyumlu olmalıdır. PFAS, Tam Vücut Kemerini kullanmalı ve Önleme Kuvvetini aşağıdaki değerlerle sınırlandırmalıdır:

	Maksimum Önleme Kuvveti	Serbest Düşme
Darbe Emici Güvenlik Halatına sahip PFAS	6 kN (1.350 lb)	Güvenlik Halatınıza veya Serbest Düşme kısıtlamaları için SRD ile dahil edilen talimatlara bakın.
Kendinden Geri Çekmeli Cihaza sahip PFAS (SRD)	6 kN (1.350 lb)	

- 2.3 TEHLİKELER:** Bu ekipman çevresel tehlikelerin bulunduğu alanlarda kullanılırken kullanıcının yaralanması veya ekipmanın zarar görmesini engellemek için ek önlemler alınmalıdır. Sistem kullanımını etkileyebilecek özel tehlikeler için 3M matafora mast talimatlarına bakın.

¹ **Yetkin Kişi:** Çevrede veya çalışma koşullarında çalışanlar için sağlıklı, tehlikeli veya riskli olan mevcut veya öngörülebilir tehlikeleri belirleyebilen ve bunları ortadan kaldırmak üzere acil düzeltici önlemler alma yetkisi bulunan kişi.

² **Ehliyetli Kişi:** Düşme Koruması ile ilgili geçerli bir derecesi veya mesleki belgesi olan bir birey. Bu bireyin Düşme Koruması tasarlama, analiz etme, değerlendirme ve özelliklerini belirleme niteliklerine sahip olması gerekir.

³ **Muayene Sıklığı:** Aşırı çalışma koşulları (sert çevre şartları, uzun süreli kullanım vb.) yetkili kişi muayenelerinin sıklığının artırılmasını gerektirebilir.

3.0 MONTAJ

3.1 PLANLAMA: Yüksek Kapasiteli Üç Parçalı Matafora Tabanının kurulumu öncesinde düşme koruma sisteminizi planlayın. Düşüş öncesi, sırası ve sonrasında güvenliğinizi etkileyebilecek tüm faktörleri dikkate alın. Yüksek Kapasiteli Üç Parçalı Matafora Tabanının ankraj yapısına montajı için doğru tespit elemanları ve yerleştirmeyi belirlemek üzere Bölüm 2 ve Tablo 1'de tanımlanan tüm gereklilikleri göz önünde bulundurun.

- **Ankraj:** Yüksek Kapasiteli Üç Parçalı Matafora Tabanının monte edildiği ankraj, Bölüm 2'deki Ankraj Yükü gerekliliklerini ve Tablo 1'deki Dikey Yük gerekliliklerini karşılamalıdır.

3.2 YÜKSEK KAPASİTELİ ÜÇ PARÇALI MATAFORA TABANININ KURULUMU: Şekil 5 Yüksek Kapasiteli Üç Parçalı Matafora Tabanının kurulumunu göstermektedir. Yüksek Kapasiteli Üç Parçalı Matafora Tabanını Tablo 1'de belirtilen mukavemet gerekliliklerini karşılayan yatay bir yüzey, örneğin bir beton veya çelik yapı üzerine monte edin:

1. Bacak Konnektörlerini (E) Merkez Bölümüne (H) yerleştirin.
2. Potansiyel düşme tehlikelerini ortadan kaldırarak sistemi kullanılması planlanan alanın yakınında zemin üzerine açın.
3. Bacak Grubu (D) Merkez Bölümüne (H) dikey olacak şekilde Bacak Grubunu dik tutun ve uç bağlantısını yerine yönlendirmek için bacakların üzerindeki tırnakları kullanarak Bacak Konnektörünü (E) Bacak Grubunun (D) üzerine doğru kaldırın.
4. Bacak Grubunu (D) Bacak Konnektörünü (E) bağlayan Bağlantı Pimlerini (I) takın ve takılı dingil pimini kullanarak sabitleyin.
5. Diğer taraftaki bacak için tekrarlayın.
6. Taban grubunu istenen genişliğe ayarlayın ve Kilit Pimlerini (C) Merkez Bölümünden (H) tümüyle geçirerek Bacak Konnektörlerini (E) sabitleyin. Merkez Bölümünün (H) arkasındaki Üçlü Vidaları (B) sıkın.
7. Taban Grubunu düz hale getirmek için ekli Su Terazisini (J) kullanarak, baloncuğun referans halkanın içinde bulunmasına dikkat edip Dengeleme Ayaklarını (F) ayarlayın.

Kullanmadan önce tüm Pimlerin tamamen takıldığını ve dingil pimlerinin yerinde olduğunu doğrulayın. Şekil 4'e bakın.

4.0 KULLANIM

4.1 HER KULLANIMDAN ÖNCE: Çalışma alanınızın ve Kişisel Düşme Önleme Sisteminizin (PFAS) Bölüm 2'de tanımlanan tüm kriterleri karşıladığından ve resmi bir Kurtarma Planının bulunduğundan emin olun. Yüksek Kapasiteli Üç Parçalı Matafora Tabanını Tablo 2'deki "Muayene ve Bakım Günlüğünde" açıklanan 'Kullanıcı' muayene hususları doğrultusunda muayene edin. Muayenede güvenli olmayan veya kusurlu bir durum tespit edildiği takdirde sistemi kullanmayın. Sistemi hizmet dışına alıp imha edin veya değiştirilmesi ya da onarılması için 3M ile iletişime geçin.

4.2 ÇALIŞMA ALANI: 3M Yüksek Kapasiteli Üç Parçalı Matafora Tabanı yalnızca Bacak Gruplarının en uzun kenarları arasında izin verilen çalışma alanında kullanılmalıdır. Şekil 3'e bakın.

Çalışma Alanı: Sistem Şekil 3'teki Güvenli Çalışma alanı dışında kullanılırsa güvensiz hale gelebilir.

5.0 MUAYENE

5.1 MUAYENE SIKLIĞI: Yüksek Kapasiteli Üç Parçalı Matafora Tabanı Bölüm 1'de tanımlanan aralıklarla muayene edilmelidir. Muayene prosedürleri Tablo 2'deki "Muayene ve Bakım Günlüğünde" açıklanmıştır Düşme Koruma Sisteminin tüm diğer bileşenlerini, üreticinin talimatlarında belirtilen sıklıklar ve prosedürler doğrultusunda muayene edin.

5.2 KUSURLAR: Muayene sonucunda güvenli olmayan veya kusurlu bir durum tespit edilirse, Yüksek Kapasiteli Üç Parçalı Matafora Tabanını derhal hizmet dışına alın ve değiştirilmesi ya da onarılması hakkında 3M ile iletişime geçin. Düşme Önleme Sisteminizi onarmaya çalışmayın.

Yalnızca Yetkili Kişiler Tarafından Onarılmalıdır: Bu ekipmanda yalnızca 3M veya yazılı olarak yetkilendirilmiş kişiler onarım işlemleri yapabilir.

5.3 ÜRÜN ÖMRÜ: Düşme Önleme Sisteminin işlevsel ömrü çalışma koşullarına ve bakıma göre belirlenir. Ürün, muayene ölçütlerini geçtiği sürece kullanımda kalabilir.

6.0 BAKIM, SERVİS, SAKLAMA


6.1 TEMİZLİK: Yüksek Kapasiteli Üç Parça Matafora Tabanının metal bileşenlerini yumuşak bir fırça, ılık su ve hafif sabun çözeltisiyle düzenli olarak temizleyin. Parçaların temiz suyla iyice durulduğundan emin olun.

6.2 SERVİS: Bu ekipmanda yalnızca 3M veya 3M tarafından yazılı olarak yetkilendirilmiş şahıslar onarım işlemleri yapabilir. Yüksek Kapasiteli Üç Parçalı Matafora Tabanı düşme kuvvetine maruz kalırsa veya muayene sonucunda güvenli olmayan ya da kusurlu durumlar tespit edilirse sistemi hizmetten çıkarın ve değiştirme ya da onarım için 3M ile iletişime geçin.

6.3 SAKLAMA VE TAŞIMA: Kullanımda değilken, Yüksek Kapasiteli Üç Parçalı Matafora Tabanını ve ilişkili düşme koruma ekipmanını serin, kuru, temiz bir ortamda, doğrudan güneş ışığından uzakta saklayın ve taşıyın. Kimyasal buharların bulunabileceği alanlardan uzak durun. Uzun süreli saklama sonrasında bileşenleri kapsamlı olarak muayene edin.

7.0 ETİKETLER

Şekil 6'da Yüksek Kapasiteli Üç Parçalı Matafora Tabanı üzerindeki etiketler gösterilmektedir. Tamamen okunmuyorsa etiketler değiştirilmelidir. Her etikette verilen bilgiler şu şekildedir:

	Tüm talimatları okuyun.
1	A) Üretim Tarihi (Yıl, Ay) B) Model Numarası C) Seri Numarası
2	Güvenli çalışma alanı.
3	Pim Bağlantısı Uyarısı
4	CE Standartları Sertifikasyonu
5	AS/NZS Standartları Sertifikasyonu
6	EN1496:2006 Sınıf B
7	8000104 Maksimum Matafora Kolu Ofseti, Kişisel Düşme Önleme Sistemi (PFAS), Malzeme Taşıma Kapasitesi
7	8000105 Maksimum Matafora Kolu Ofseti, Kişisel Düşme Önleme Sistemi (PFAS), Malzeme Taşıma Kapasitesi

Tablo 3 – Muayene ve Bakım Günlüğü

Muayene Tarihi:		Muayene Eden:	
Bileşenler:	Muayene: (Muayene Sıklığı için bkz. Bölüm 1)	Kullanıcı	Yetkili Kişi ¹
Yüksek Kapasiteli Üç Parçalı Matafora Tabanı (Şekil 2)	Yüksek Kapasiteli Üç Parçalı Matafora Tabanını çatlak, oyuk veya şekil bozuklukları açısından muayene edin.	<input type="checkbox"/>	<input type="checkbox"/>
	Ünitenin tamamını aşırı korozyon açısından muayene edin.	<input type="checkbox"/>	<input type="checkbox"/>
	Bağlantı Pimlerinin ve Kilit Pimlerinin tam olarak takıldığını ve gerekiyorsa dingil pimleriyle sabitlendiğini doğrulayın.	<input type="checkbox"/>	<input type="checkbox"/>
Etiketler Şekil 7	Tüm etiketlerin sabit bir şekilde yapıştırıldığını ve okunur olduğunu onaylayın (bkz. 'Etiketler')	<input type="checkbox"/>	<input type="checkbox"/>
PFAS ve Diğer Donanımlar	HC Üç Parçalı Matafora Tabanı ile birlikte kullanılan İlave Kişisel Düşme Önleme Sistemi (PFAS) ekipmanı (kemer, SRL, vb.) üreticinin talimatlarına göre takılmalı ve muayene edilmelidir.	<input type="checkbox"/>	<input type="checkbox"/>

Seri Numarası/Numaraları:	Satın Alındığı Tarih:
Model Numarası:	İlk Kullanım Tarihi:
Düzeltilici İşlem/Bakım:	Onaylayan:
	Tarih:
Düzeltilici İşlem/Bakım:	Onaylayan:
	Tarih:
Düzeltilici İşlem/Bakım:	Onaylayan:
	Tarih:
Düzeltilici İşlem/Bakım:	Onaylayan:
	Tarih:
Düzeltilici İşlem/Bakım:	Onaylayan:
	Tarih:
Düzeltilici İşlem/Bakım:	Onaylayan:
	Tarih:
Düzeltilici İşlem/Bakım:	Onaylayan:
	Tarih:
Düzeltilici İşlem/Bakım:	Onaylayan:
	Tarih:
Düzeltilici İşlem/Bakım:	Onaylayan:
	Tarih:
Düzeltilici İşlem/Bakım:	Onaylayan:
	Tarih:
Düzeltilici İşlem/Bakım:	Onaylayan:
	Tarih:

1 Yetkili Kişi: Çevrede veya çalışma koşullarında çalışanlar için sağlıksız, tehlikeli veya riskli olan mevcut veya öngörülebilir tehlikeleri belirleyebilen ve bunları ortadan kaldırmak üzere acil düzeltici önlemler alma yetkisi bulunan kişi.

<p style="text-align: center;">KÜRESEL ÜRÜN GARANTİSİ, SINIRLI BAŞVURU YOLU VE SORUMLULUK SINIRLAMASI</p> <p>GARANTİ: AŞAĞIDAKİLER, ZİMNİ TİCARETE ELVERİŞLİLİK VEYA BELLİ BİR AMACA UYGUNLUK GARANTİ VE KOŞULLARI DA DAHİL OLMAK ÜZERE, AÇIK VEYA ZİMNİ HER TÜRLÜ GARANTİ VE KOŞULUN YERİNİ ALMAKTADIR.</p> <p>Yerel yasalar aksini belirtmediği müddetçe, 3M düşme koruması ürünleri montaj tarihi veya orijinal sahibin ilk kullanım tarihinden itibaren bir yıl süreyle ışık ve malzeme yönünden fabrika kusurlarına karşı garantilidir.</p> <p>SINIRLI BAŞVURU YOLU: 3M, kendisine yapılan yazılı bildirim sonrasında ışıklı veya malzeme açısından fabrika kusuruna sahip olduğunu belirlediği herhangi bir ürünü onarabilir veya yenisiyle değiştirebilir. 3M, garanti iddialarının değerlendirilmesi amacıyla ürünün tesisine iade edilmesini şart koşabilir. Bu garanti; yıpranma, istisnar, kötüye kullanım, taşıma sırasında hasar, ürünün bakımının yapılmamasından kaynaklanan ürün hasarını ya da 3M'nin kontrolü dışındaki diğer hasarları kapsamaz. 3M, ürünün durumu ve garanti seçenekleri konusunda yetegâne takdir sahibi olacaktır.</p> <p>Bu garanti, yalnızca orijinal satın alma işleminin alıcısı için geçerlidir ve 3M'nin düşme koruması ürünleri için geçerli olan yetegâne garantidir. Destek için lütfen bölgenizdeki 3M müşteri hizmetleri bölümü ile irtibata geçin.</p> <p>SORUMLULUK SINIRLAMASI: 3M, YEREL YASALARIN İZİN VERDİĞİ ÖLÇÜDE, İLERİ SÜRÜLEN YASAL KURAMA BAKILMAKSİZİN ÜRÜNLE HERHANGİ BİR ŞEKİLDE İLGİLİ OLAN KÂR KAYBINI DA KAPSAYAN, ANCAK BUNUNLA SINIRLI OLMAYAN HİÇBİR DOLAYLI, ARIZİ, ÖZEL VEYA BAĞLI HASARDAN SORUMLU DEĞİLDİR.</p>	<p style="text-align: center;">GLOBAL PRODUKTGARANTI, BEGRÄNSAD KOMPENSATION OCH BEGRÄNSAD ANSVARSSKYLDIGHET</p> <p>GARANTI: FÖLJANDE GÄLLER SOM ERSÄTTNING FÖR ALLA GARANTIER ELLER VILLKOR, UTTRYCKLIGA ELLER UNDERFÖRSTÄDDA, INKLUSIVE UNDERFÖRSTÄDDA GARANTIER ELLER VILLKOR FÖR SÄLJBARHET ELLER LÄMPLIGHET FÖR ETT VISST ÄNDAMÅL.</p> <p>Såvida inte annat stipuleras i lokala lagar, garanteras 3M:s fallskyddsprodukter mot fabriktionsfel avseende tillverkning och material under en period av ett år från datum för ursprunglig ägares installation eller första användning.</p> <p>BEGRÄNSAD KOMPENSATION: Efter skriftlig avisering till 3M, kommer 3M att reparera eller byta ut varje produkt, som av 3M fastställts vara behäftad med fabriktionsfel vad gäller tillverkning eller material. 3M förbehåller sig rätten att kräva att produkt returneras till företagets anläggning för utvärdering av garantianspråk. Denna garanti omfattar inte produktskada till följd av slitage, felaktig användning, missbruk, skada under transport, underlåtenhet att sköta produkten eller annan skada utom 3M:s kontroll. 3M är ensam bedömare av produktskick och garantialternativ.</p> <p>Denna garanti avser enbart den ursprunglige köparen och är den enda garanti som gäller för 3M:s fallskyddsprodukter. Kontakta 3M:s kundtjänstavdelning i din region för assistans.</p> <p>BEGRÄNSNING AV ANSVARSSKYLDIGHET: I DEN OMFATTNING SOM TILLÅTS AV LOKALA LAGAR, ANSVARAR 3M INTE FÖR NÅGRA INDIREKTA, OFÖRUTSEDDA, SPECIELLA ELLER FÖLJDSKADOR, INKLUSIVE MEN INTE BEGRÄNSAT TILL FÖRLUST AV VINSTER, VILKA PÅ NÅGOT SÄTT HÄNFÖRTS TILL PRODUKTERNA, OAVSETT HÄVDAD RÄTTSLIG GRUND.</p>
<p style="text-align: center;">GLOBALNA GWARANCJA NA PRODUKTY, OGRANICZONE ROZWIĄZANIE I OGRANICZENIE ODPOWIEDZIALNOŚCI</p> <p>GWARANCJA: PONIŻSZE POSTANOWIENIA ZASTĘPUJĄ WSZYSTKIE GWARANCJE LUB WARUNKI, WYRAŻONE LUB DOMNIEMANE, W TYM DOMNIEMANE GWARANCJE LUB WARUNKI SPRZEDAŻY LUB PRZYDATNOŚCI DO OKREŚLONEGO CELU.</p> <p>O ile lokalne prawo nie przewiduje inaczej, produkty 3M służące do ochrony przed upadkiem są objęte gwarancją na wady fabryczne, w tym wady materiałowe i wykonawcze przez okres jednego roku od daty ich montażu lub pierwszego użycia przez pierwotnego właściciela.</p> <p>OGRANICZONE ROZWIĄZANIE: Po pisemnym powiadomieniu 3M, 3M naprawi lub wymieni produkt uznany przez 3M za wadliwy w zakresie wykonawstwa lub zastosowanych materiałów. 3M zastrzega sobie prawo do zażądania zwrotu produktu do swojego obiektu w celu oceny rozszczenia gwarancyjnego. Niniejsza gwarancja nie obejmuje uszkodzeń produktu wynikających ze zużycia, niewłaściwego użytkowania, uszkodzenia w transporcie, braku właściwej konserwacji produktu lub innych uszkodzeń będących poza kontrolą firmy 3M. 3M będzie jedyną stroną oceniającą stan produktu oraz możliwe opcje gwarancyjne.</p> <p>Niniejsza gwarancja obejmuje wyłącznie pierwszego nabywcę i jest to jedyna gwarancja na produkty 3M służące do ochrony przed upadkiem. W celu uzyskania pomocy prosimy o kontakt z działem obsługi klienta firmy 3M w Państwa regionie.</p> <p>OGRANICZENIE ODPOWIEDZIALNOŚCI: W ZAKRESIE DOZWOLONYM PRZEZ LOKALNE PRAWO, 3M NIE PONOSI ODPOWIEDZIALNOŚCI ZA JAKIEKOLWIEK POŚREDNIE, PRZYPADKOWE, NADZWYCZAJNE LUB WYNIKOWE SZKODY, W TYM, LE CZ NIE WYŁĄCZNIE, UTRATY ZYSKÓW, W JAKIKOLWIEK SPOŚOB ZWIĄZANE Z PRODUKTEM, NIEZALEŻNIE OD PRZEDSTAWIONEJ PODSTAWY PRAWNEJ.</p>	<p style="text-align: center;">GLOBAL PRODUKTGARANTI, BEGRÆNSEDE RETSMIDLER OG BEGRÆNSNING AF GARANTIFORPLIGTELSE</p> <p>GARANTI: FØLGENDE ERSTATTER ALLE GARANTIER ELLER BETINGELSER, UDTRYKKELIGE ELLER UNDERFØRSTÅEDE, HERUNDER DE UNDERFØRSTÅEDE GARANTIER ELLER BETINGELSER FOR SALGBARHED ELLER EGNETHED TIL ET SPECIFIKT FORMÅL.</p> <p>Bortset fra hvad der sikres ved gældende love, er 3M's produkter til faldsikring omfattet af en garanti mod fabriksdefekter i den håndværksmæssige udførelse og materialer i en periode på et år fra installationsdatoen eller den første ejers ibrugtagningsdato.</p> <p>BEGRÆNSEDE RETSMIDLER: Ved skriftlig henvendelse til 3M vil 3M reparere eller erstatte ethvert produkt, der af 3M vurderes at have en fabriksdefekt i den håndværksmæssige udførelse eller materialer. 3M forbeholder sig ret til at kræve produktet returneret til dets anlæg for at vurdere krav om garanti. Denne garanti dækker ikke skade på produktet slid, misbrug, forkert brug, transportskade, manglende vedligeholdelse af produktet eller anden skade uden for 3M's kontrol. 3M vil alene fastslå produktets tilstand og mulighederne for garanti.</p> <p>Denne garanti gælder kun for den oprindelige køber og er den eneste garanti gældende for 3M's produkter til faldsikring. Kontakt venligst 3M's kundeserviceafdeling i dit område for at få hjælp.</p> <p>BEGRÆNSNING AF GARANTIFORPLIGTELSE: I DEN UDSTRÆKNING DET TILLADES AF LOKALE LOVE ER 3M IKKE ANSVARLIG FOR NOGEN INDIREKTE, TILFÆLDIGE, SPECIELLE ELLER PÅFØLGENDE SKADER, HERUNDER MEN IKKE BEGRÆNSET TIL TAB AF FORTJENESTE, DER PÅ NOGEN MÅDE ER RELATERET TIL PRODUKTERNE UANSET DEN UDLAGTE JURIDISKE TEORI.</p>
<p style="text-align: center;">GLOBAL PRODUKTGARANTI, BEGRENSET AVHJELP OG BEGRENŚNING AV ERSTATNINGSANSVAR</p> <p>GARANTI: DET FØLGENDE KOMMER I STEDET FOR ALLE GARANTIER ELLER VILKÅR, UTTRYKKELIGE ELLER UNDERFORSTÅTTE, INKLUDERT DE UNDERFORSTÅTTE GARANTIENE ELLER VILKÅRENE OM ALGBARHET ELLER EGNETHET FOR ET BESTEMT FORMÅL.</p> <p>I mindre annet er bestemt av lokale lover, er 3Ms fallsikringsprodukter garantert mot fabrikkasjonsfeil håndverksmessig utførelse og materialer for en periode på ett år fra installasjonsdatoen eller første bruk av den opprinnelige eieren.</p> <p>BEGRENSET AVHJELP: Ved skriftlig melding til 3M, vil 3M reparere eller erstatte ethvert produkt som av 3M fastslås å ha en fabrikkasjonsfeil i håndverksmessig utførelse eller materialer. 3M forbeholder seg retten til å kreve at produktet blir levert tilbake til fabrikk for evaluering av garantikrav. Denne garantien dekker ikke produktskade grunnet slitasje, misbruk, skade i transitt, unnlatelse av å edlikeholde produktet eller annen skade utenfor 3Ms kontroll. 3M vil være den eneste til å bedømme produktvilkår og garantialternativer.</p> <p>Denne garantien gjelder kun den opprinnelige kjøperen og er den eneste garantien som er anvendelig for 3Ms fallsikringsprodukter. Vennligst kontakt 3Ms kundeserviceavdeling i ditt område for hjelp.</p> <p>BEGRENŚNING AV ERSTATNINGSANSVAR: I DEN UTSTREKNING DET ER TILLATT AV LOKALE OVER, ER IKKE 3M ERSTATNINGSANSVARLIG FOR NOEN SOM HELST INDIREKTE, HENDELIGE, PESIELLE ELLER FØLGEMESSIGE SKADER INKLUDERT, MEN IKKE BEGRENSET TIL TAB AV FORTJENESTE, PÅ NOEN SOM HELST MÅTE FORBUNDET MED PRODUKTENE, UAVHENGIG AV HVILKE JURIDISK TEORI SOM PÅBEROPES.</p>	

GLOBAL PRODUCT WARRANTY, LIMITED REMEDY AND LIMITATION OF LIABILITY

WARRANTY: THE FOLLOWING IS MADE IN LIEU OF ALL WARRANTIES OR CONDITIONS, EXPRESS OR IMPLIED, INCLUDING THE IMPLIED WARRANTIES OR CONDITIONS OF MERCHANTABILITY OR FITNESS FOR A PARTICULAR PURPOSE.

Unless otherwise provided by local laws, 3M fall protection products are warranted against factory defects in workmanship and materials for a period of one year from the date of installation or first use by the original owner.

LIMITED REMEDY: Upon written notice to 3M, 3M will repair or replace any product determined by 3M to have a factory defect in workmanship or materials. 3M reserves the right to require product be returned to its facility for evaluation of warranty claims. This warranty does not cover product damage due to wear, abuse, misuse, damage in transit, failure to maintain the product or other damage beyond 3M's control. 3M will be the sole judge of product condition and warranty options.

This warranty applies only to the original purchaser and is the only warranty applicable to 3M's fall protection products. Please contact 3M's customer service department in your region for assistance.

LIMITATION OF LIABILITY: TO THE EXTENT PERMITTED BY LOCAL LAWS, 3M IS NOT LIABLE FOR ANY INDIRECT, INCIDENTAL, SPECIAL OR CONSEQUENTIAL DAMAGES INCLUDING, BUT NOT LIMITED TO LOSS OF PROFITS, IN ANY WAY RELATED TO THE PRODUCTS REGARDLESS OF THE LEGAL THEORY ASSERTED.

3M



Fall Protection

USA

3833 SALA Way
Red Wing, MN 55066-5005
Toll Free: 800.328.6146
Phone: 651.388.8282
Fax: 651.388.5065
3Mfallprotection@mmm.com

Brazil

Rua Anne Frank, 2621
Boqueirão Curitiba PR
81650-020
Brazil
Phone: 0800-942-2300
falecoma3m@mmm.com

Mexico

Calle Norte 35, 895-E
Col. Industrial Vallejo
C.P. 02300 Azcapotzalco
Mexico D.F.
Phone: (55) 57194820
3msaludocupacional@mmm.com

Colombia

Compañía Latinoamericana de Seguridad S.A.S.
Carrera 106 #15-25 Interior 105 Manzana 15
Zona Franca - Bogotá, Colombia
Phone: 57 1 6014777
fallprotection-co@mmm.com

Canada

260 Export Boulevard
Mississauga, ON L5S 1Y9
Phone: 905.795.9333
Toll-Free: 800.387.7484
Fax: 888.387.7484
3Mfallprotection-ca@mmm.com

EMEA (Europe, Middle East, Africa)

EMEA Headquarters:
Le Broc Center
Z.I. 1re Avenue - BP15
06511 Carros Le Broc Cedex
France
Phone: + 33 04 97 10 00 10
Fax: + 33 04 93 08 79 70
informationfallprotection@mmm.com

Australia & New Zealand

95 Derby Street
Silverwater
Sydney NSW 2128
Australia
Phone: +(61) 2 8753 7600
Toll-Free : 1800 245 002 (AUS)
Toll-Free : 0800 212 505 (NZ)
Fax: +(61) 2 8753 7603
anzfallprotectionsales@mmm.com

Asia

Singapore:
1 Yishun Avenue 7
Singapore 768923
Phone: +65-6450 8888
Fax: +65-6552 2113
TotalFallProtection@mmm.com

Shanghai:

19/F, L'Avenue, No.99 Xian Xia Rd
Shanghai 200051, P R China
Phone: +86 21 62539050
Fax: +86 21 62539060
3MFallProtection-CN@mmm.com

Korea:

3M Korea Ltd
20F, 82, Uisadang-daero,
Yeongdeungpo-gu, Seoul
Phone: +82-80-033-4114
Fax: +82-2-3771-4271
TotalFallProtection@mmm.com

Japan:

3M Japan Ltd
6-7-29, Kitashinagawa, Shinagawa-ku, Tokyo
Phone: +81-570-011-321
Fax: +81-3-6409-5818
psd.jp@mmm.com

WEBSITE:
3M.com/FallProtection



EU DECLARATION OF CONFORMITY:
3M.com/FallProtection/DOC