

# 6820

## Series 80-Column Printer 6822 Configuration

User's  
Manual



Intermec Technologies Corporation

Worldwide Headquarters  
6001 36th Ave.W.  
Everett, WA 98203  
U.S.A.

[www.intermec.com](http://www.intermec.com)

The information contained herein is provided solely for the purpose of allowing customers to operate and service Intermec-manufactured equipment and is not to be released, reproduced, or used for any other purpose without written permission of Intermec Technologies Corporation.

Information and specifications contained in this document are subject to change without prior notice and do not represent a commitment on the part of Intermec Technologies Corporation.

© 2008-2009 by Intermec Technologies Corporation. All rights reserved.

The word Intermec, the Intermec logo, Norand, ArciTech, Beverage Routebook, CrossBar, dcBrowser, Duratherm, EasyADC, EasyCoder, EasySet, Fingerprint, i-gistics, INCA (under license), Intellitag, Intellitag Gen2, JANUS, LabelShop, MobileLAN, Picolink, Ready-to-Work, RoutePower, Sabre, ScanPlus, ShopScan, Smart Mobile Computing, SmartSystems, TE 2000, Trakker Antares, and Vista Powered are either trademarks or registered trademarks of Intermec Technologies Corporation.

There are U.S. and foreign patents as well as U.S. and foreign patents pending.

Wi-Fi is a registered certification mark of the Wi-Fi Alliance.

Microsoft, Windows, and the Windows logo are registered trademarks of Microsoft Corporation in the United States and/or other countries.

Bluetooth is a trademark of Bluetooth SIG, Inc., U.S.A.

## Document Change Record

This page records changes to this document. The document was originally released as Revision 001.

Version Number	Date	Description of Change
002	2/2009	Revised cover to indicate the manual is for the 6822 version of the 6820 series printer. Other minor changes including copyright date and process for downloading documentation from the Intermec web site.

---



# Contents

Before You Begin .....	xii
Safety Information .....	xii
Global Services and Support .....	xiii
Warranty Information .....	xiii
Web Support .....	xiii
Telephone Support .....	xiii
Service Location Support .....	xiii
Who Should Read This Document .....	xiv
Related Documents .....	xiv
Patent Information .....	xiv

## **1 Using the 6820 80-Column Printer** .....

Learning About the Printer Models .....	2
Guidelines for Operating the Printer .....	3
Understanding the Control Panel .....	3
Using the Reset Button .....	5
Understanding the Power Supply Options .....	6
Using the Internal Battery .....	6
Connecting to a Vehicle Power Supply .....	6
Connecting to a DC Power Source .....	7
Fixed Mount Printer .....	7
Portable Printer .....	7

## **2 Installing the 6820 Printer** .....

Installing the Internal Battery .....	10
Installing the Ribbon Cartridge .....	11
Adjusting the Printhead Gap .....	12
Loading the Paper Tray .....	13
Loading Paper in the Printer .....	14

## Contents

Positioning the Paper . . . . .	14
Adjusting the Pinfeed Holders . . . . .	15
Inserting a Computer in the Terminal Holder . . . . .	17
<b>3 Configuring the 6820 Printer . . . . .</b>	<b>19</b>
Connecting to the Printer. . . . .	20
Understanding the Font Modules . . . . .	20
Using the Printer Configuration Utility. . . . .	21
Installing the Printer Configuration Utility. . . . .	21
Disabling the Microsoft ActiveSync Serial Port Connections . . . . .	25
Operating the Printer Configuration Utility . . . . .	25
Communicating with the Printer. . . . .	27
Setting the 6820 Configuration . . . . .	29
Default Printer Settings . . . . .	33
Error Messages . . . . .	33
Connecting to the Bluetooth Adapter . . . . .	34
Enable Microsoft ActiveSync Serial Port Connection . . . . .	34
<b>4 Control Code Definitions . . . . .</b>	<b>35</b>
Understanding Control Code Definitions . . . . .	36
I/O Buffer . . . . .	36
Print Image Buffer . . . . .	36
Special Notations . . . . .	36
Using Printer Control Codes . . . . .	37
Backspace . . . . .	37
Beeper . . . . .	37
Cancel Line . . . . .	38
Carriage Return . . . . .	38
Delete . . . . .	38
Form Feed . . . . .	39
Select Half-Speed Printing . . . . .	39
Cancel Half-Speed Printing . . . . .	39
Set Inactivity Time for Sleep Mode . . . . .	40
Line Feed . . . . .	40
Perform Line Feed . . . . .	40
Perform n/216-inch Line Feed . . . . .	40
Perform n/216-inch Reverse Line Feed . . . . .	41
Perform Master Reset . . . . .	41

Set Print Position (absolute) . . . . .	41
Set Print Position (relative) . . . . .	42
Select Top-Down Printing . . . . .	42
Select Bottom-Up Printing . . . . .	42
Select Unidirectional Printing . . . . .	43
Cancel Unidirectional Printing . . . . .	43
Select Unidirectional (one line) Printing . . . . .	43
Page Formatting Functions . . . . .	44
Set Page Length (lines) . . . . .	44
Set Page Length (inches) . . . . .	44
Select 7/72-inch Line Spacing (7 dots) . . . . .	45
Select 1/6-inch Line Spacing . . . . .	45
Select n/216-inch Line Spacing . . . . .	45
Select n/72-inch Line Spacing (n dots) . . . . .	46
Set Right Margin . . . . .	46
Set Left Margin . . . . .	46
Set Skip Over Perforation . . . . .	47
Cancel Skip Over Perforation . . . . .	47
Character Style and Text Mode Functions . . . . .	48
Select Condensed Character Mode . . . . .	48
Cancel Condensed Character Mode . . . . .	48
Select Double-Strike Mode . . . . .	49
Cancel Double-Strike Mode . . . . .	49
Select Double-Wide Mode . . . . .	50
Cancel Double-Wide Print . . . . .	50
Select Double-Wide Print . . . . .	51
Cancel Double-Wide Print . . . . .	51
Select Elite Pitch . . . . .	51
Select Emphasized Print Mode . . . . .	52
Cancel Emphasized Print Mode . . . . .	52
Define Intercharacter Space . . . . .	52
Select Italic Mode . . . . .	53
Cancel Italic Mode . . . . .	53
Master Select . . . . .	53
Select Pica Pitch . . . . .	55
Select Superscript Mode . . . . .	55
Select Subscript Mode . . . . .	55
Cancel Subscript/Superscript Mode . . . . .	56
Select Underline Mode . . . . .	56
Cancel Underline Mode . . . . .	56
Tabs and Tab Setting Functions . . . . .	57
Perform Horizontal Tab . . . . .	57
Set Horizontal Tabs . . . . .	58
Clear Horizontal Tabs . . . . .	58
Perform Vertical Tab . . . . .	58
Set Vertical Tabs . . . . .	59
Clear Vertical Tabs . . . . .	59

## Contents

Set Vertical Tabs in Channel . . . . .	59
Clear Vertical Tabs in Channel . . . . .	60
Select Vertical Tab Channel . . . . .	60
Using Character Sets and User-Defined Functions . . . . .	60
Single-Byte Character Sets . . . . .	61
Double-Byte Character Sets . . . . .	61
Multi-Byte Character Sets . . . . .	61
Select National Character Set . . . . .	62
Hebrew Character Set . . . . .	63
Greek Character Set . . . . .	64
User Defined Characters . . . . .	65
Copy ROM to RAM . . . . .	65
Define User Defined Characters . . . . .	65
Select User-Defined Character Set . . . . .	66
Select Default Character Set . . . . .	67
Enable Printing of Codes 128-159 . . . . .	67
Disable Printing of Codes 128-159 . . . . .	68
Expand Printable Code Area . . . . .	68
Enable Printing of Character Graphics . . . . .	69
Disable Printing of Character Graphics . . . . .	70
Enable Printing of Character Graphics . . . . .	70
Graphics Functions . . . . .	71
Select Graphics Mode . . . . .	72
Reassign Graphics Mode . . . . .	72
Select Single Density Graphics Mode . . . . .	73
Select Low-Speed Double Density Graphics Mode . . . . .	73
Select High-Speed Double Density Graphics Mode . . . . .	73
Select Low-Speed Quadruple Density Graphics Mode . . . . .	74
Select 9-Pin Single Density Graphics Mode . . . . .	75
Select 9-Pin Double Density Graphics Mode . . . . .	75

## **5** Troubleshooting and Maintaining the 6820 . . . . . 77

Troubleshooting Basics . . . . .	78
Checking the Power Source . . . . .	78
Testing the Printer . . . . .	78
Testing Communications/PC . . . . .	79
Aligning the Printer Mechanism . . . . .	80
Understanding Printer Errors . . . . .	81
Runtime Errors . . . . .	81
Troubleshooting Using the Power-On-Self-Test (POST) . . . . .	83
Understanding Fatal Errors . . . . .	84
Flash Write Errors . . . . .	84



EEPROM Configuration Block Errors . . . . .	85
Troubleshooting Using the Printer Self-Test . . . . .	85
Self Test Function Descriptions . . . . .	85
Performing a Printer Self-Test . . . . .	86
Running the Self-Test . . . . .	86
Understanding the Self-Test Report . . . . .	86
Miscellaneous Troubleshooting Tips . . . . .	90
Understanding Diagnostic Information . . . . .	93
Cable Configurations . . . . .	98
Cleaning the Printer Case . . . . .	103
Cleaning the Outside of the Case . . . . .	104
Cleaning the Inside the Case . . . . .	104
Changing the Ribbon Cartridge . . . . .	105
Cleaning the Mask Spring . . . . .	106
<b>A Specifications . . . . .</b>	<b>111</b>
Specifications . . . . .	112
Printer Dimensions . . . . .	113
Fixed Mount Printer . . . . .	113
Portable Printer . . . . .	114
Media Specifications . . . . .	114
Material Breakdown . . . . .	114
Caliper Breakdown . . . . .	116
Understanding the Fanfold Paper Page Layout . . . . .	117
<b>B Bluetooth Configuration Commands and Specifications . . . . .</b>	<b>119</b>
Using Configuration Commands . . . . .	120
Operating Modes . . . . .	121
Command and Control Modes . . . . .	122
Set Local Bluetooth Device Name . . . . .	123
Set Class of Device/Service Field . . . . .	123
Set Service Name . . . . .	123
Connectable On/Off . . . . .	124

## Contents

Specify Page Scan Timing . . . . .	124
Enable Discoverable . . . . .	124
Specify Inquiry Scan Timing . . . . .	125
Set Encryption/Authentication Pin Code . . . . .	125
Manage Security Modes . . . . .	125
Read Module Version . . . . .	126
Read Local Device Address . . . . .	127
Set Shutdown Timing . . . . .	127
Clear Link Key Table . . . . .	127
Understanding Adapter States or Modes . . . . .	128
700 Series or CK60 to 6820 Pass Through . . . . .	129
700 Series, CK60, or CN3 to Bluetooth Module Communication Interface . . . . .	129
Radio Power On/Off Mechanism . . . . .	129
Persistent Storage . . . . .	130
System Behavior/Software Considerations . . . . .	130
Remote Configuration . . . . .	131
Bluetooth Performance . . . . .	132
Diagnostic Capabilities . . . . .	132
Using the Information Application . . . . .	132
System Qualification . . . . .	134
Operation Resilience . . . . .	134
Specifications . . . . .	134
Default Bluetooth Configuration Settings . . . . .	136
<b>C Cross-Reference Tables . . . . .</b>	<b>137</b>
Single Character Control Codes . . . . .	138
Escape Sequence Quick Reference . . . . .	140
Factory-Installed Printer Defaults . . . . .	143
<b>D Printer Font Test Jobs . . . . .</b>	<b>145</b>
About the Printer Font Jobs . . . . .	146

## **Contents**

Big 5 Traditional Chinese Character Set .....	146
Simplified Chinese Character Set .....	147
IBM 437 Code Page Character Set .....	147
Japanese (JIS) Character Set .....	147
Korean Character Set .....	148
International Character Set .....	148

<b>Index</b> .....	149
--------------------	-----

# Before You Begin

This section provides you with safety information, technical support information, and sources for additional product information.

## Safety Information

Your safety is extremely important. Read and follow all warnings and cautions in this document before handling and operating Intermec equipment. You can be seriously injured, and equipment and data can be damaged if you do not follow the safety warnings and cautions.

This section explains how to identify and understand dangers, warnings, cautions, and notes that are in this document. You may also see icons which tell you when to follow ESD procedures.



**A warning alerts you of an operating procedure, practice, condition, or statement that must be strictly observed to avoid death or serious injury to the persons working on the equipment.**



**A caution alerts you to an operating procedure, practice, condition, or statement that must be strictly observed to prevent equipment damage or destruction, or corruption or loss of data.**



**This icon appears at the beginning of any procedure in this manual that could cause you to touch components (such as printed circuit boards) that are susceptible to damage from electrostatic discharge (ESD). When you see this icon, you must follow standard ESD guidelines to avoid damaging the equipment you are using.**



**Note:** Notes either provide extra information about a topic or contain special instructions for handling a particular condition or set of circumstances.

## **Global Services and Support**

### **Warranty Information**

To understand the warranty for your Intermec product, visit the Intermec web site at [www.intermec.com](http://www.intermec.com) and click **Service & Support > Warranty**.

### **Web Support**

Visit the Intermec web site at [www.intermec.com](http://www.intermec.com) to download our current manuals (in PDF). To order printed versions of the Intermec manuals, contact your local Intermec representative or distributor.

Visit the Intermec technical knowledge base (Knowledge Central) at [intermec.custhelp.com](http://intermec.custhelp.com) to review technical information or to request technical support for your Intermec product.

### **Telephone Support**

In the U.S.A. and Canada, call **1-800-755-5505**.

Outside the U.S.A. and Canada, contact your local Intermec representative. To search for your local representative, from the Intermec web site, click **About Us > Contact Us**.

### **Service Location Support**

For the most current listing of service locations, from the Intermec web site, click **Support > Returns and Repairs > Repair Locations**.

For technical support in South Korea, use the after service locations listed below:

#### **AWOO Systems**

102-1304 SK Ventium

522 Dangjung-dong

Gunpo-si, Gyeonggi-do Korea, South 435-776

Contact: Mr. Sinbum Kang

Telephone: +82-31-436-1191

Email: [mjyun@awoo.co.kr](mailto:mjyun@awoo.co.kr)

#### **IN Information System PTD LTD**

6th Floor

Daegu Venture Center Bldg 95

Shinchun 3 Dong

Donggu, Daegu City, Korea

E-mail: [jmyou@idif.co.kr](mailto:jmyou@idif.co.kr) or [korlim@gw.idif.co.kr](mailto:korlim@gw.idif.co.kr)

## Who Should Read This Document

This user's guide provides you with information about the features of the 6820 Series printers, and how to install, configure, operate, maintain, and troubleshoot them.

## Related Documents

The Intermec web site at [www.intermec.com](http://www.intermec.com) contains our documents (as PDF files) that you can download for free.

### To download documents

- 1 Visit the Intermec web site at [www.intermec.com](http://www.intermec.com).
- 2 Click **Support > Manuals**.
- 3 Use the **Product Category** field, the **Product Family** field, and the **Product** field to help you locate the product whose documentation you want to download.

## Patent Information

This product is protected by one or more of the following United States patents:

5,581,293; 5,613,790; 5,927,876; 6,088,049; 6,345,920

There may be U.S. and Foreign Patents Pending.

# 1

## Using the 6820 80-Column Printer

Use this chapter to familiarize yourself with the 6820 printer. In this chapter you will find these sections:

- Learning About the Printer Models
- Guidelines for Operating the Printer
- Understanding the Control Panel
- Understanding the Power Supply Options

## Learning About the Printer Models

The 6820 printer is used in the route accounting industry to produce high-quality customer invoices, receipts, load reports, transfers, and other documents. A unique “sleep” feature saves energy when the printer is not printing, eliminating the need for an On/Off switch. Data input is normally provided by mobile computers.

The 6820 printer is available in the following models:

- **Fixed Mount Printer**

The fixed mount printer is mounted in motor vehicles or used in a work location. The terminal holder may be mounted on the printer or a remote dock can connect to the side of the printer. A deep paper tray, which holds up to 200 3-ply forms (up to 5 cm or 2 in of paper) is located under the printer mechanism.

- **Portable Printer**

The portable printer has a handle so that you can carry it. An optional internal battery permits operation without the use of an external power source. The terminal holder is an integral part of this printer. A shallow paper tray, which holds up to 50 3-ply forms (up to 2.5 cm or 1.0 in of paper) is located under the printer mechanism.



**Note:** The printer models are shown on [page 7](#).



Follow ESD  
Procedures

**The discharge of electrostatic energy accumulated on the human body, clothing, or other surfaces can damage or destroy the printhead or electronic components used in this printer. Avoid touching the electrical connectors while unpacking or setting up your printer.**






# Guidelines for Operating the Printer

- Make sure that your mobile computer remains connected to the printer when printing or operating.
- Keep the printer cover closed except during maintenance or when loading paper.
- Make sure the paper is properly installed in the paper tray or dashboard mount.
- Disconnect the printer power cable when jump-starting the vehicle.
- Make sure your printer is loaded with paper before communicating with your mobile computer.
- Do not spill liquids or food crumbs into the printer.
- Do not use solvents or abrasive cleaners on the printer.
- Do not rest objects on, under, or against the printer.
- If the printer is attached to a vehicle electrical system, do not start or stop the vehicle engine while you are printing.
- Do not overload the paper tray or paper jams will occur.

## Understanding the Control Panel

The printer control panel has four status indicators in the top row and three buttons in the bottom row. Three status indicators blink when there is a problem with the printer. Use the three buttons to adjust and align paper in the printer.




### *Understanding the Status Indicators*

Name	Indicator	Description
Paper Out		The printer is out of paper.
Head Jam		The printhead is jammed and cannot move.
Low Battery		The internal battery voltage, the vehicle battery voltage, or the power module voltage is too low.

**Understanding the Status Indicators (continued)**

Name	Indicator	Description
Power		The power LED turns green when you press any button and goes off after ten seconds. The LED also goes on when: <ul style="list-style-type: none"><li>• the printer is attached to an external power supply</li><li>• a print job is sent to the printer</li><li>• you perform a power-on-self-test</li></ul>

**Understanding the Buttons**

Name	Button	Function
Form Feed		Press this button to feed the paper into the printer mechanism or when the printer should advance to the next form. If the printer runs out of paper, press this button to initiate automatic paper loading.
Set Page		Press this button to signal the beginning of the page to the printer after you have made the appropriate paper adjustments; or to set the line feed counter to zero and move the printhead to its home position. Press this button to clear a Paper Out error so printing can resume.
Line Feed		Press this button to adjust the top of the paper to the next line.



**Note:** All printer covers are hinged to the printer. These hinges have a tension screw (turn clockwise to tighten, turn counterclockwise to loosen), should you need to adjust them.

## Using the Reset Button

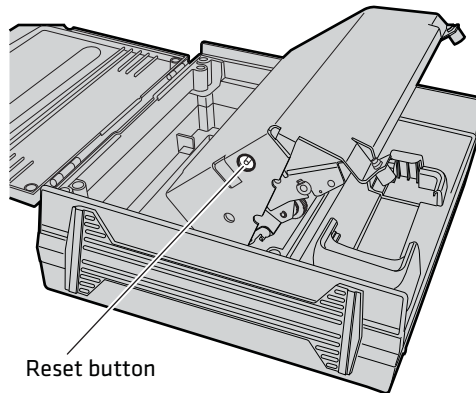
Use the printer reset button to:

- reset a printer that is unresponsive and apparently locked up.
- force a synchronization between the printer and a connected PC when sending control codes.
- restart the printer for any reason.



**Note:** The reset button does not reset a connected Bluetooth module as it is powered from a different power source.

Both the fixed mount printer and the portable printer have a reset button on the left-hand side of the raised printer mechanism. See the following illustration for the location of the reset button.



# Understanding the Power Supply Options

The following power supply options are available for the 6820.

## Using the Internal Battery

The internal battery (P/N 317-075-xxx) allows the portable printer and some fixed mount printers to operate independently of other power sources.



**The 6820 discharges the internal battery even when the printer is not in use. Over time, the internal battery can discharge to the point where the battery is not recoverable.**

**Plug the printer into an external charge source or disconnect the battery when you store the printer for any length of time.**

A total discharge of the battery is most likely to occur when the battery is new and the battery chemical reactions are not fully formed, or the battery has had only one charge cycle.

## Connecting to a Vehicle Power Supply

You will need to order a printer installation kit to install the 6820 printer in a vehicle. The following kits are available:

- P/N 203-242-101 (fixed mount printers)
- P/N 203-242-102 (portable printers)

The installation kits contain all of the hardware (nuts, bolts, washers, a terminal ring, and a fuse link) for connecting the battery cable directly to the vehicle battery. These kits also contain adjustable wire clamps to secure the cable in place.



**Note:** The 6820 printer and associated electrical wiring should be installed under the supervision of properly trained and qualified personnel.

See the *6820 Printer Installation Instructions* (P/N 931-052-xxx) to learn how to connect the printer to a vehicle power supply.

## Connecting to a DC Power Source

Each printer has a DC power jack that connects the printer to a power source, such as the vehicle battery or an external power supply.

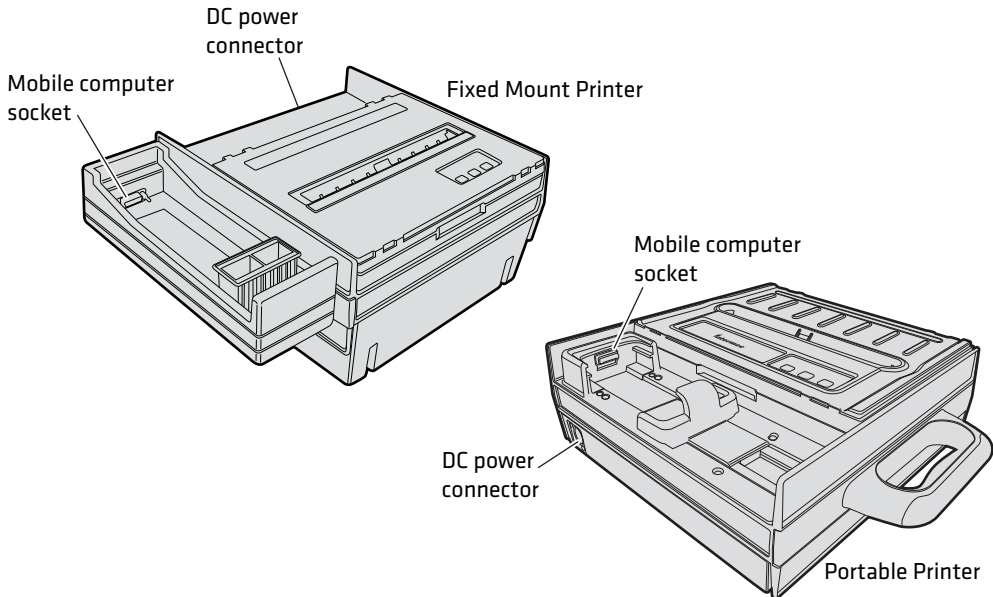
Each printer communicates with a mobile computer through the mobile computer socket (in a terminal holder, remote terminal holder, or vehicle dock).

### Fixed Mount Printer

The DC power connector is on the bottom rear of the printer behind the printer terminal holder. The data communications socket is in either the printer terminal holder or a separate vehicle dock.

### Portable Printer

The DC power connector is on the side of the printer beneath the printer terminal holder. The data communications socket is either in the printer terminal holder or a separate vehicle dock.



### 6820 Printer Models



# 2

## Installing the 6820 Printer

This chapter provides instructions how to set up the 6820 printer for the first time. In this chapter you will find these sections:

- Installing the Internal Battery
- Installing the Ribbon Cartridge
- Adjusting the Printhead Gap
- Loading the Paper Tray
- Loading Paper in the Printer
- Inserting a Computer in the Terminal Holder

## Installing the Internal Battery

The optional internal battery is primarily for portable printers. The battery can go in some fixed mount printers using a cable and a factory-installed adapter.

The printer battery recharges automatically when the printer is connected to an external power source. For most installations, the external power source is passed through the printer to the mobile computer. The printer battery does not provide charge to the computer.



**Note:** Remove the printer battery when storing a printer for more than 2 or 3 days. After storage, reinstall the battery and connect the printer to an external power source for at least 14 hours to recharge the battery.

### To install the internal battery

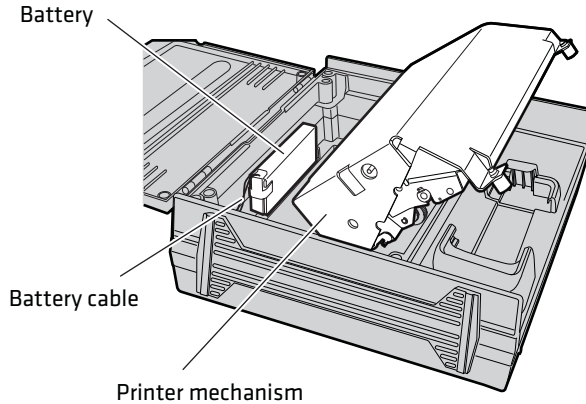
- 1 Unlatch and open the printer mechanism.
- 2 Lower the battery into the rear of the printer case.



**Note:** Do not fully seat the battery at this time.

- 3 Attach the battery cable to the battery.
- 4 Push the battery down and back under the back edge of the case. The battery should snap into place.
- 5 Close and latch the printer mechanism.





***Installing the Internal Battery***

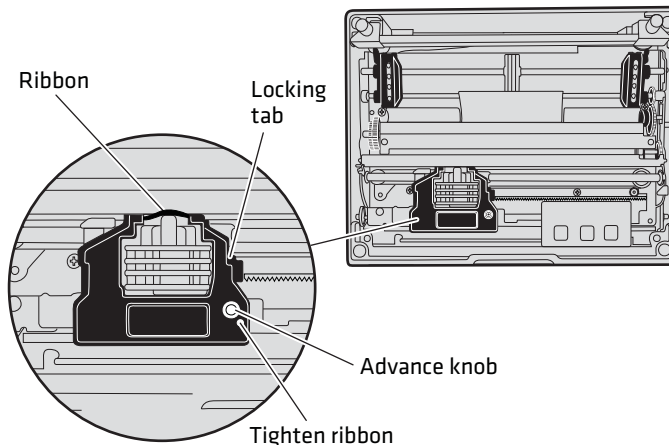
## **Installing the Ribbon Cartridge**

Make sure there is a ribbon cartridge in the printer before you print and that the ribbon is fully seated (the cartridge makes a distinct “snap” or “click” when properly seated) with the visible portion of the ribbon straight and even.

**To install the ribbon cartridge**

- 1** Turn the ribbon advance knob (in the direction of the raised arrows) to remove any slack in the ribbon.
- 2** Squeeze the ribbon cartridge locking tab into the cartridge, then lower the cartridge over the printhead.
- 3** Lower the tab side of the cartridge until it clicks.
- 4** Release the tab and press down on the arrow to fully seat the ribbon cartridge (tab clicks outward).

- 5 Turn the ribbon advance knob (follow raised arrows) to align the ribbon in the front of the printhead.



***Installing the Ribbon Cartridge***

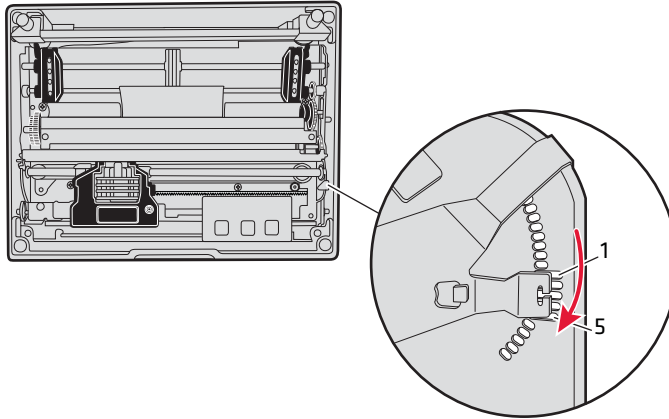
## **Adjusting the Printhead Gap**

The printhead gap adjuster is part of the printer mechanism on the side opposite the green thumb wheel. The printhead adjuster has five notches between the printhead and the platen for different paper thicknesses.

**To adjust the printhead gap**

- Verify the thickness of the paper loaded into the printer.
- If you are using single-sheet forms, set the head gap adjuster to the third notch away from the paper.
- If you are using multiple-sheet forms (2-ply or 3-ply), set the head gap adjuster to the fourth notch away from the paper.
- If you experience frequent head jams, set the head gap adjuster to the fifth notch away from the paper. This may stop the head jams.

- If the 2-ply and 3-ply paper have light printing, setting the gap adjuster to a closer setting will darken the print.



**Adjusting the Printhead**

## Loading the Paper Tray



**Note:** Do not exceed the recommended paper quantity or thickness. When loading multiple-sheet paper, be sure to have the original faced up, with the leading edge towards the rear of the printer.

**To load the paper tray in fixed mount and portable printers**

- 1** Unlatch and raise the printer mechanism.
- 2** Lower a stack of paper, with the original faced up, into the paper tray under the printer mechanism.
  - The fixed mount printer holds up to 200 3-ply forms about 5 cm (2 in) thick.
  - The portable printer holds up to 50 3-ply forms about 2.5 cm (1 in) thick.
- 3** Pull the top form out and over the rear of the printer mechanism.
- 4** Lower the printer mechanism back into operating position.

**To load paper from the flat paper tray**

- 1** Hold a stack of paper, up to 6 cm (2.5 in) thick, with the original facing you, and lay the stack flat into the tray.
- 2** Pull the top form out to load into the printer.

## **Loading Paper in the Printer**



**Follow these steps to load the paper into the printer, or paper jams may occur.**

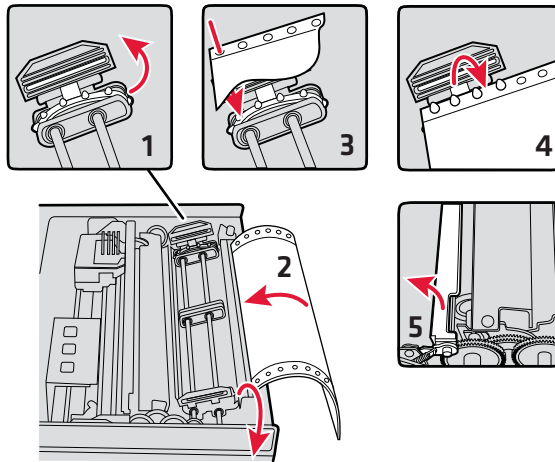
### **Positioning the Paper**

Paper for the 6820 has perforated strips that fit onto the pinfeed holder pins, guiding the paper into the printer. This paper is sold separately in 1, 2, or 3-ply forms.

**To position the paper**

- 1** Open the pinfeed holders outward.
- 2** Take the top edge of the sheet of paper and position it, original side facing down, over the pinfeed holder pins.
- 3** Align the first few holes of the paper evenly on each side.
- 4** Close the pinfeed holders.

- 5 Raise the paper bail.



**Positioning the Paper**

## Adjusting the Pinfeed Holders



**Note:** There are two pinfeed holders, one next to the green thumb wheel and one opposite the same wheel. Always loosen the pinfeed holder opposite the green thumb wheel.

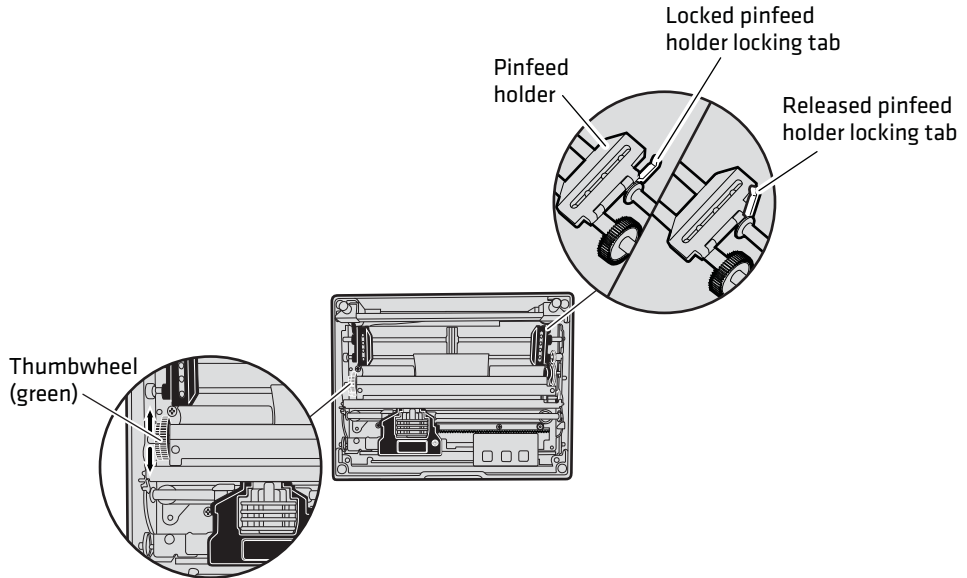


**Note:** Adjusting the pinfeed holder next to the green thumb wheel may cause information to print in the wrong place. If this pinfeed holder is moved, correct its location by releasing the pinfeed holder tab, moving the pinfeed holder as close to the green thumb wheel as possible, then locking the pinfeed holder tab, before adjusting the opposite pinfeed holder.

### To adjust the pinfeed holders

- 1 With the pinfeed holders open, release the locking tab on the pinfeed holder opposite the green thumb wheel.
- 2 Adjust the pinfeed holder position so that the pins align with the paper.
- 3 Close the pinfeed holder.

- 4 Ensure that the paper is smooth (no folds, bulges, bows, etc.) between the pinfeed holders. If so, push the locking tab down on the pinfeed holder that you adjusted.



### **Adjusting the Pinfeed Holders**

#### **To feed paper into the printer**

- 1 Press **Form Feed** button to feed the paper into the printer.
- 2 Lower the paper bail. An empty printer auto feeds new paper approximately 0.25 cm (0.1 in) beyond the top of the paper bail.



**Note:** The ideal distance to feed paper beyond the paper bail may vary due to environmental conditions (such as humidity) and specific aspects of certain paper. Use the green thumb wheel to position the paper to a desired distance according to your conditions.



**Note:** If your paper has a preprinted logo on every page, make sure the printhead is below the preprinted logo. If not, you can adjust the position of the paper, either by pressing the **Line Feed** button, or by using the green thumb wheel.

- 3 Once the paper is properly positioned, press the **Set Page** button to clear the **Paper Out** light and indicate where the top of the page is.
- 4 Close the printer lid. Make sure the paper passes through the paper slot when the printer begins to print.

## Inserting a Computer in the Terminal Holder

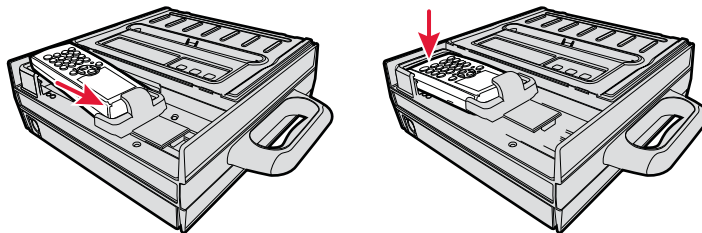


**Note:** When removing the computer, do not press the computer keys against the terminal slide retainer. Always store the computer in the terminal holder.

The fixed mount or portable printers have terminal holder options for the 700 Series, CK60, and the CN3 Series computers.

### To insert a 700 Series, CK60, or a CN3 in a terminal holder

- 1 Insert the top of the computer into the terminal slide retainer.
- 2 Use the computer to push the terminal slide all the way in the direction shown.
- 3 Lower the connector end of the computer into the terminal holder.
- 4 Slide the computer to fully seat it in the docking connector.



**Inserting a Computer in a Terminal Holder**





# 3

## Configuring the 6820 Printer

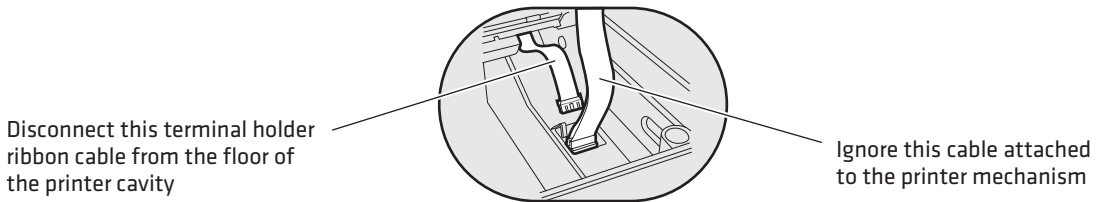
Use the Printer Configuration Utility to load fonts on the printer and to change the printer settings. In this chapter you will find these sections:

- Connecting to the Printer
- Understanding the Font Modules
- Using the Printer Configuration Utility
- Communicating with the Printer

## Connecting to the Printer

Connect your printer to your desktop computer using a serial cable (P/N 226-270-xxx). The serial COM port connector on either the fixed mount printer or portable printer is on your printer mechanism, the same side as the green thumb wheel and next to the reset switch.

Before connecting to your PC, locate and disconnect the gray terminal holder ribbon cable connector from the floor of the printer cavity. The cable is located behind the printer mechanism on the same side as the green thumb wheel and is the one that is not attached to the printer mechanism.



For information on using the Printer Configuration Utility see [page 21](#).

## Understanding the Font Modules

Intermec provides the following font modules for your 6820:

- nft00000.mod – Default International
- nft00437.mod – IBM/Microsoft compatible Code Page 437
- nft00932.mod – JIS Japanese
- nft00936.mod – GB2312 Chinese Simplified
- nft00949.mod – KSC5601 Korean

- nft00950.mod — Big 5 Traditional Chinese



**Note:** There are three versions of the default font module (nft0000.mod): Arabic, Turkish, and International. Any one version of the default module, but not more than one, can appear in the 6820 Printer Configuration Utility FONTS directory and install on the printer. The International version of this font module is automatically placed in the FONTS directory when the Printer Configuration Utility is installed on the PC.

All three versions are included on the printer toolkit CD:

- The Arabic version is included in the Default Fonts\Arabic directory.
- The Turkish version is in the Default Fonts\Turkish directory.
- The International version is in the Default Fonts\International directory.

Use the Printer Configuration Utility to replace the existing default font module (nft00000.mod) with any of the of the other provided fonts. The Printer Configuration Utility is provided in the 6820 Tool Kit.

Instructions for installing fonts are provided later in this chapter.

If you followed the default installation process, the Printer Configuration Utility FONTS directory is located at Program Files\Intermec\6820 Printer Configuration Utility\FONTS.



**Caution**

**Do not rename the font files in the FONTS directory or they will not work correctly.**

## **Using the Printer Configuration Utility**

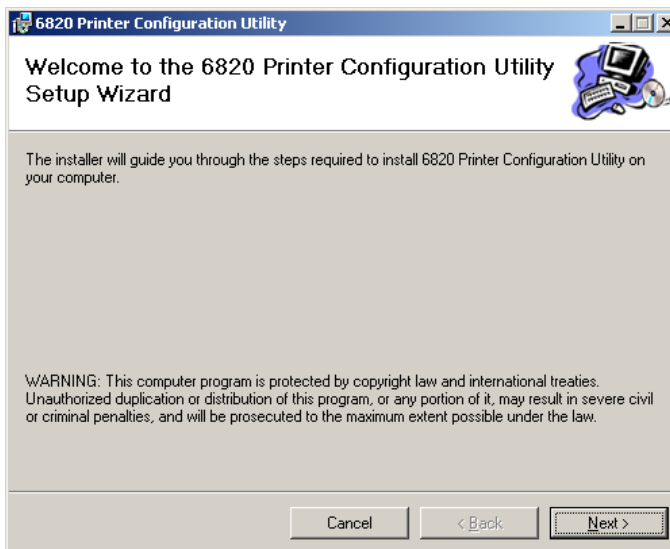
These instructions apply to desktop computers running either Windows 2000 or Windows XP operating systems.

### **Installing the Printer Configuration Utility**

The Printer Configuration Utility is provided on the 6820 Printer Toolkit CD (P/N 235-145-xxx).

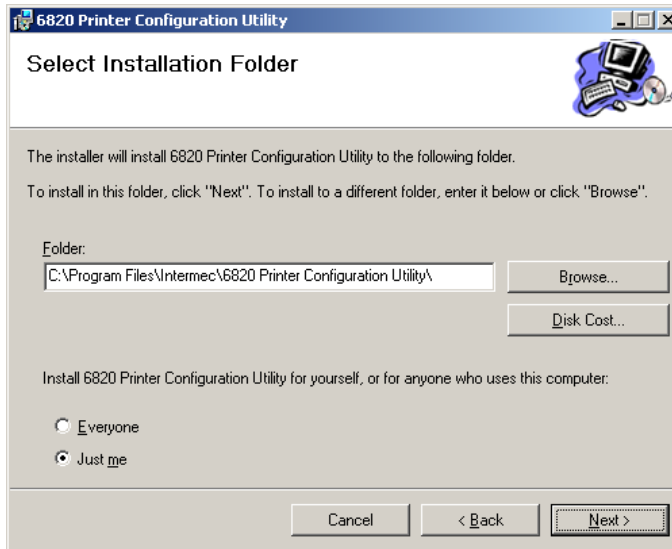
**To set up your PC to use the Printer Configuration Utility**

- 1** Insert the toolkit CD in your PC.
- 2** From your desktop, use your Explorer application to view the contents of the toolkit CD.
- 3** Double-click the **setup.exe** file, then click **Next** from the Welcome screen to continue.

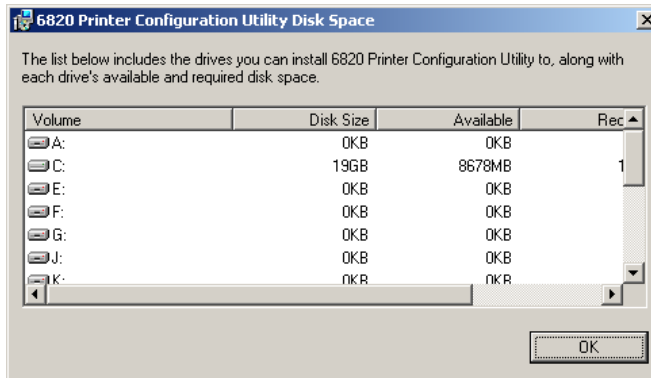


- 4** The printer configuration utility files are copied to the **Program Files\Intermec\6820 Printer Configuration Utility** folder. To install the files in a different folder, enter the path and folder name.

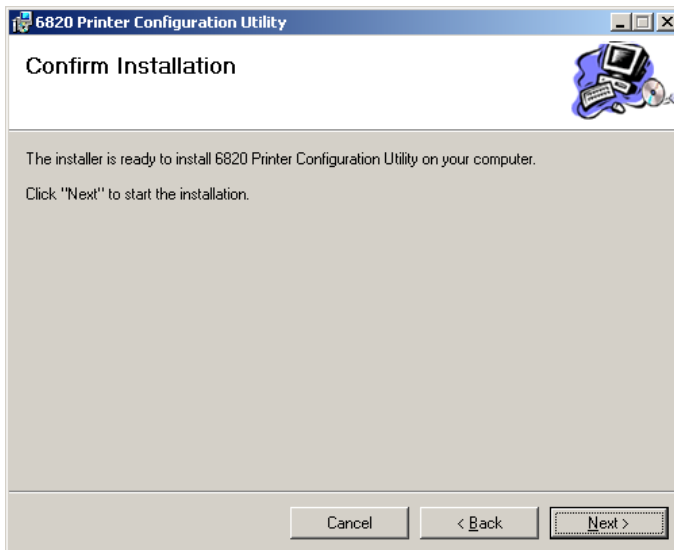
You can also specify if everyone who uses the computer has access to the printer configuration files or limit access to yourself.



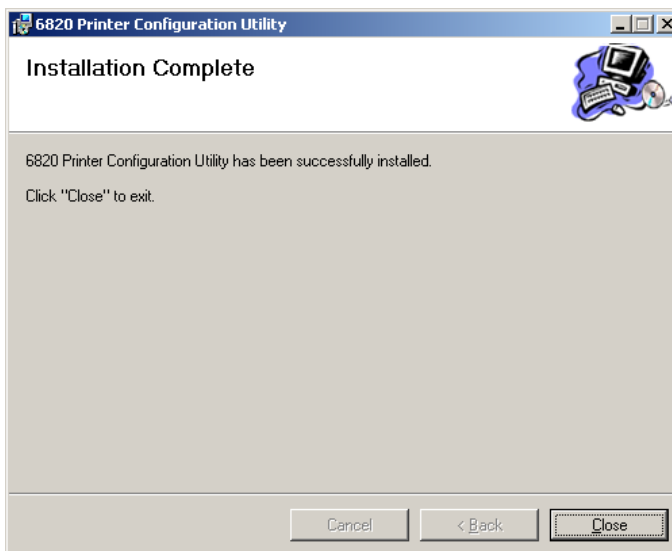
- 5 Click **Disk Cost** to see the amount of disk space required to install the Printer Configuration Utility. Click **OK** to close and return to the installation screens.



- 6 Click **Next** to verify installation, click **Back** to adjust the information on the previous screen, or click **Cancel** to exit the installation.'



- 7 **Installation Complete** appears on the screen. Click **Close** to exit the installation program.

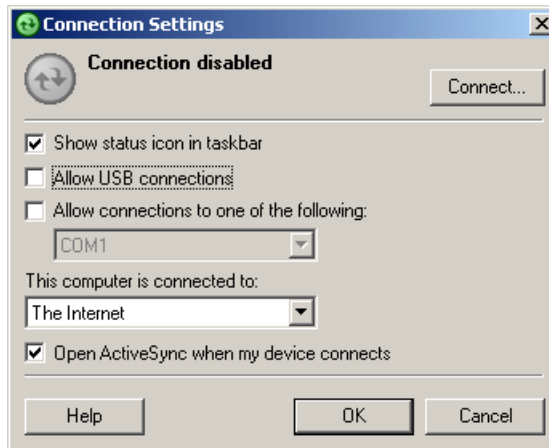


## Disabling the Microsoft ActiveSync Serial Port Connections

If you use Microsoft ActiveSync to connect to your computers, you need to disable the serial port connections before using the Printer Configuration Utility.

### To disable ActiveSync

- 1 In the ActiveSync application on your desktop, select **File > Connection Settings**.
- 2 Clear **Allow USB connections** and **Allow connections to one of the following**.



- 3 Click **OK**.
- 4 Close the ActiveSync application.

## Operating the Printer Configuration Utility

The Printer Configuration Utility consists of a list of fonts, some parameter settings, and a printer control program.

When the Printer Configuration Utility is active, it holds a “configuration clipboard” in memory. Initially, this configuration has parameters set to their default values. Consider the contents of the configuration clipboard as temporary and lost when you exit from the utility.

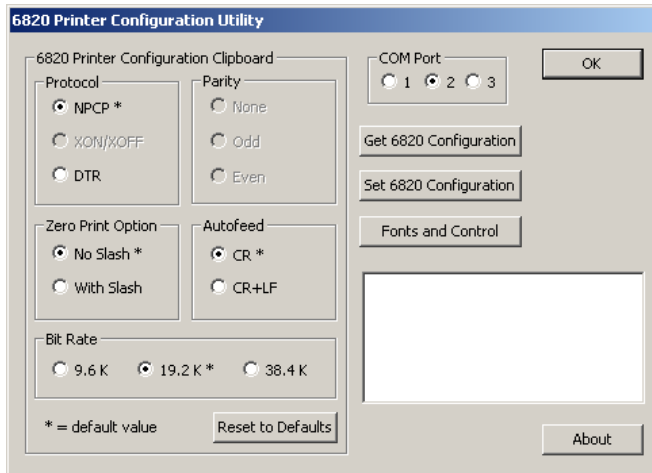
- Click the **Get 6820 Configuration** button to view the current printer configuration.

### Chapter 3 – Configuring the 6820 Printer

- Click the **Set 6820 Configuration** button to change printer setting and send those settings to the printer.
- Click the **Reset to Defaults** button to reset the to the factory default printer configuration.

#### To start the Printer Configuration Utility

- Click the desktop icon or **Start > Programs > Intermec > 6820 Printer Configuration Utility > PConfigApp.exe** to start the Printer Configuration Utility.





## Communicating with the Printer

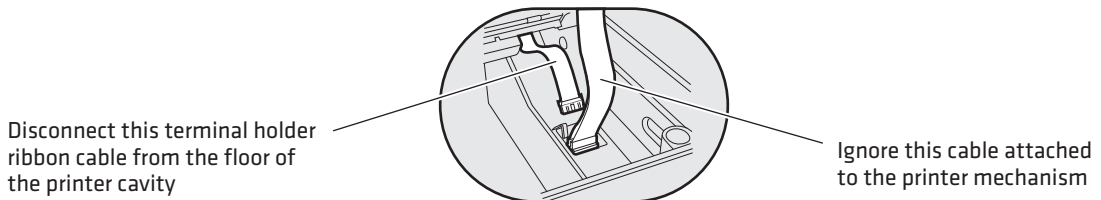
You can use COM port 1, 2, or 3 to communicate with your printer. COM port 1 is the default selection, but if it is not available or is being used by another application, select another COM port.

### To communicate with the printer

- 1 Connect the serial interface cable (P/N 226-270-xxx) from your PC to the port on the printer mechanism, next to the **Reset** button



**Note:** You must also disconnect the terminal holder gray ribbon cable where it connects to the transition board next to the pivot frame flex cables.

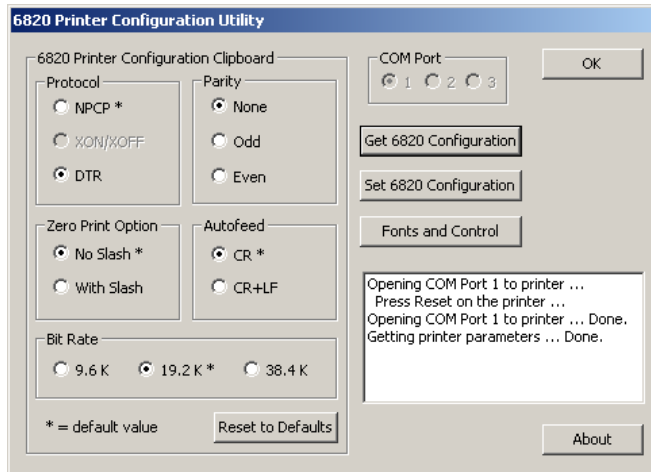


- 2 Click either the **Get 6820 Configuration** or the **Set 6820 Configuration** button to open communications with the printer.

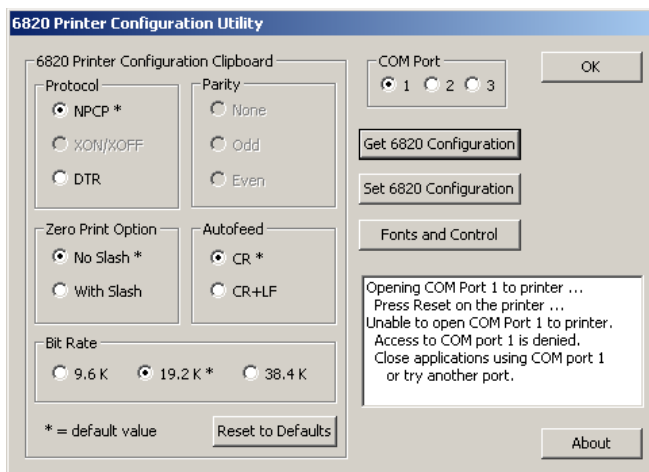
The “Opening COM Port x to printer . . .” message appears in the text box when you initiate communications with the printer. The “x” in the message indicates which COM port is being used.

- 3 When the “Press Reset on the printer” message appears in the text box, press the **Reset** button on your printer. For the location of the **Reset** button on your printer, see **“Using the Reset Button” on page 5**

- The “Opening COM Port x to printer. . . Done.” message indicates that communication between your PC and the printer has been established.



**Note:** If “Unable to open COM Port x to printer” appears in the text box another software application may be using the selected COM port. Select another COM port or disable the software application using the COM port. Also, verify that the gray terminal holder ribbon is disconnected as indicated earlier. [See page 33](#) for more error messages.



### To view the settings on your 6820

- 1 Click the **Get 6820 Configuration** button to initiate communication.
- 2 The “Getting printer parameters . . .” message appears when the Printer Configuration Utility retrieves configuration information from the printer.
- 3 The message “Getting printer parameters . . . Done” appears after configuration information is retrieved.
- 4 Modify configuration settings or click **OK** to close the Printer Configuration Utility.

### Setting the 6820 Configuration

Use the Printer Configuration Utility to set or modify the 6820 configuration setting, install or remove fonts, or load an updated printer control program.

#### To modify configuration settings

- 1 Make changes to the Configuration Clipboard or click the **Reset to Defaults** button to undo your selections and return them to their defaults.



**Note:** When using a Bluetooth adapter you must select the DTR communications protocol and a bit rate of 19.2 K.

- 2 Click the **Set 6820 Configuration** button to initiate communication with the printer. The “Setting printer parameters . . .” message appears when you initiate communication with the printer.
- 3 The “Setting printer parameters . . . Done” message appears when configuration parameters are set.

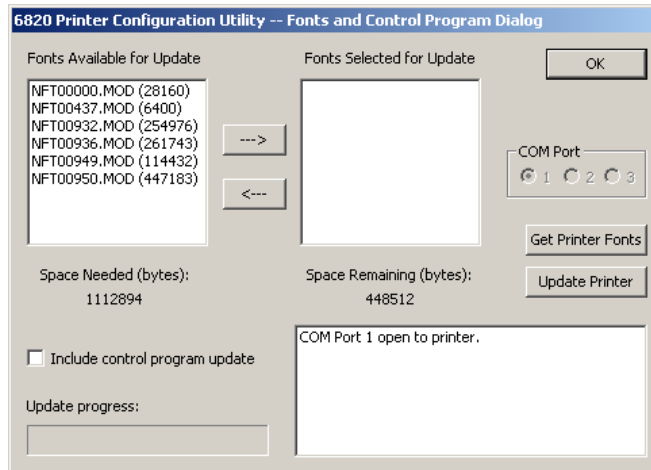


**Note:** The “Unable to set printer parameters” message indicates a dropped connection between your PC and your printer.

- 4 If the configuration is complete, click **OK** to close the utility and detach the serial cable.

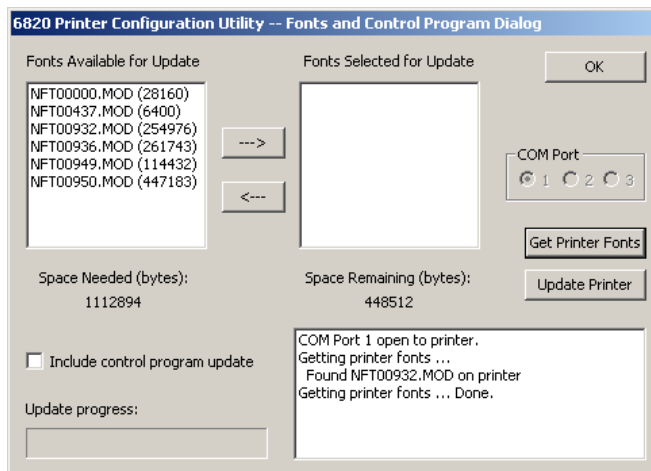
### To update 6820 fonts or the 6820 control program

- Click the **Fonts and Control** button to update the fonts stored in your printer or to update the printer control program. The **Fonts Available for Update** list shows font files that are available. The **Fonts Selected for Update** list show fonts that are to be installed on the printer.



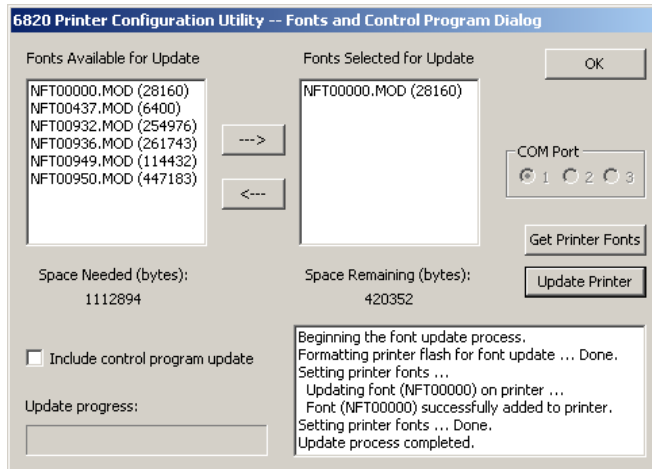
### To learn what fonts are currently installed on your printer

- Click the **Get Printer Fonts** button. The installed fonts appear in the text box in the bottom right corner of the dialog.



### To select a font files

- Highlight the font files you want to download in the **Fonts Available for Update** list.
- Click the right arrow pointing to the **Fonts Selected for Update** list to copy the selected font files to this list. Below is a sample screen.



If the fonts you select exceed the space available in printer memory, an error message appears. Click **OK** to close the error message and not copy the font to the **Fonts Selected for Update** list. If there are two or more fonts that exceed the space allowed, this message repeats until an error message is displayed for each of the font files that went over the space allowed.

The **Space Needed** information shown beneath the **Fonts Available for Update** list indicates the total space required (in bytes) for all of the fonts in the list. The **Space Remaining** information listed below the **Fonts Selected for Update** list displays the space remaining in the printer, given the fonts in the **Selected** list.

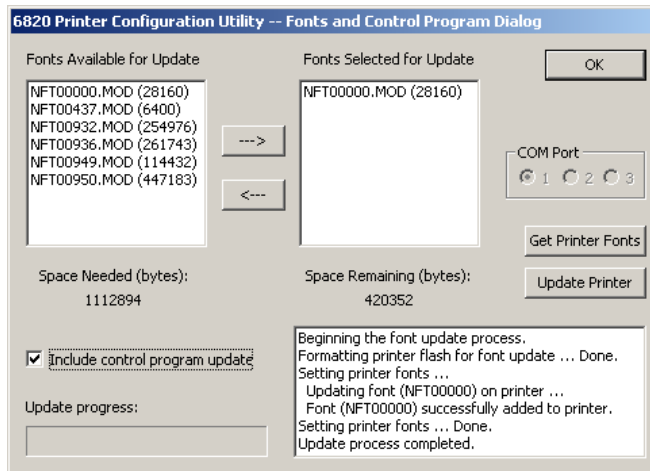
Click **Update Printer** to update the printer fonts and the control program depending on the options selected on the dialog. If the **Selected** list is empty and the Include control program update is not checked, a “Nothing selected for update” message appears in the text box.

- Formats the printer flash for font updates and writes new font files to the printer for any fonts in the Selected list.

Click the top, right arrow to copy selected font files from the **Fonts Available for Update** list to the **Fonts Selected for Update** list. Click the bottom, left arrow to remove any selected files from the **Fonts Selected for Update** list.

Click **Update Printer** to update the fonts in the printer with those in the **Fonts Selected for Update** list. The **Update progress:** bar indicates the progress as the control program or fonts are written to the printer.

- Check the **Include program control update** check box to include the printer control program when updating the printer.



**Note:** You only need to update the control program when new versions of the control program are released.

## Default Printer Settings

### Default Printer Settings

Settings	Value
Zero Print Option	Print zeros without a slash
Auto Feed Configuration	CR (carriage return at end of line without line feed)
Protocol	NPCP
Parity	N/A (for NPCP)
Bit Rate	19.2 K (19200)

For other printer defaults, see [“Factory-Installed Printer Defaults” on page 143](#).

## Error Messages

There are three instances when the 6820 may not connect to your PC. In the example error messages, an “x” indicates the assigned COM port number.

### Error Messages

Error Type	Message	Cause
Timeout Error	Unable to open COM port x to printer. Printer not reset within the time allowed or printer not connected to COM port x.	<p>The timeout error may occur due to either of these situations:</p> <ul style="list-style-type: none"> <li>• The printer was not reset in the time allowed.</li> <li>• The COM port exists on the desktop computer but nothing is connected to the port.</li> <li>• The gray Bluetooth terminal holder ribbon cable is not disconnected from the bottom of the printer.</li> </ul>
Port Not Found	Unable to open COM port x to printer. COM port x cannot be found.	The COM port does not exist. The particular COM port is identified in the error message.

**Error Messages (continued)**

Error Type	Message	Cause
Access Denied	Unable to open COM port x to printer. Access to COM port x is denied. Close applications using COM port x or try another port.	The COM port exists but a connection with the 6820 is not established. The particular COM port is identified in the error message.

## Connecting to the Bluetooth Adapter

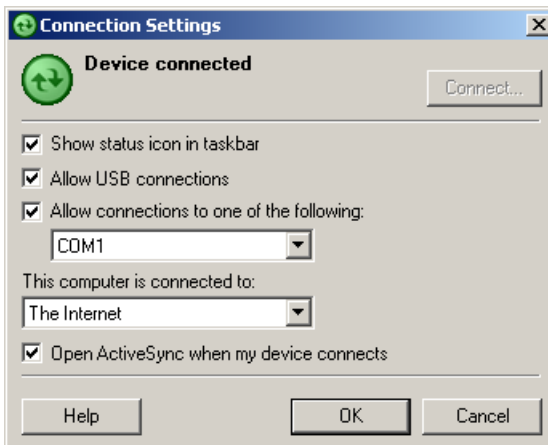
If your 6820 has a Bluetooth adapter, be sure to connect this adapter after you finish reconfiguring the 6820 fonts and exit the Printer Configuration Utility (flat gray ribbon cable under the printer mechanism).

## Enable Microsoft ActiveSync Serial Port Connection

If you use Microsoft ActiveSync to connect to your terminals, then do the following to enable serial port based connections.

### To enable Microsoft ActiveSync serial port based connections

- 1 Start ActiveSync and select **File > Connection Settings**.
- 2 Check **Allow USB connections** and **Allow connections to one of the following**.
- 3 Click **OK**.
- 4 Close the ActiveSync application.





# 4

## Control Code Definitions

This chapter contains a set of control code definitions and specifications for page layout for the 6820 printer. In this chapter you will find these sections:

- Understanding Control Code Definitions
- Using Printer Control Codes
- Understanding the Fanfold Paper Page Layout

# Understanding Control Code Definitions

## I/O Buffer

All characters and control codes received by the printer are stored in this buffer. Characters and controls codes are read from this buffer and acted upon to form the print buffer. Characters are removed from the I/O buffer as they are processed.

## Print Image Buffer

All characters go through this buffer on their way to the printed page. This buffer contains the graphic image of the dots to print, from which characters are rendered. It is cleared when its contents are printed.

## Special Notations

The following information defines notations included in the format definitions of the escape sequences, throughout this section.

### *Special Notations*

Notation	Description
(0)	Used in the ASCII column of any of the Format definitions, indicates that its value can only be zero (and not the character “0”). For example: Select Top-Down Printing ESC US (0).
(1)	Used in the ASCII column of any of the Format definitions, indicates that its value can only be one (and not the character “1”). For example: Select Bottom-Up Printing ESC US (1).
*	When a number (at the end of an escape sequence) is marked with an asterisk, then either the value corresponding to that number or the value of the string character can be used for that number. For example, if 1* is shown, then either the value (1), or the value of the string character (decimal: 49, hex: 31) can be used.
NUL	The NUL character is represented in the <b>Dec</b> column as 0, in the <b>Hex</b> column as 00, and in the <b>ASCII</b> column as NUL.

# Using Printer Control Codes

These control code definitions are organized by categories of functions. The following methods assist in locating control codes easily:

- Numeric order (single character codes only)—refer to the “Single Character Control Codes” table on [page 138](#). Locate the index for the control code, and turn directly to that page.
- Numeric order (complete list)—refer to the [“Escape Sequence Quick Reference” on page 140](#) and look up control codes by their actual code values.

## Backspace

The print buffer is emptied. The printhead is moved to the left one character space (using the current pitch). This can be performed to, but not beyond, the left margin setting. The backspace is ignored if justification of right, full, or centered is selected.

### **Format**

Decimal	Hex	ASCII
8	08	BS

The backspace control code (BS) is not reliable when text contains different character pitches. For reliable backspacing, use the escape sequence (ESC “\”), Set Relative Print Position.

## Beeper

The printer produces a beep lasting approximately 1/10 of a second

### **Format**

Decimal	Hex	ASCII
7	07	BEL

## Cancel Line

All of the characters currently in the print buffer are discarded. Current print position is set to left margin. Text already printed cannot be canceled

### **Format**

Decimal	Hex	ASCII
24	18	CAN

## Carriage Return

Repositions the printhead at the start of the print line (usually at the left margin), and repositions the pointer to the start of the print buffer, after printing all data in the buffer. Also, all of the “one line” functions are reset, such as bold, double-strike, double-wide, or unidirectional printing.

### **Format**

Decimal	Hex	ASCII
13	0D	CR



**Note:** You can add an automatic line feed with a configuration item.

## Delete

Deletes the last character in the print buffer. This functions only in left justification.

### **Format**

Decimal	Hex	ASCII
127	7F	DEL

## Form Feed

Prints the contents of the print buffer, clears the print buffer, and advances the paper to the top of the next page (Top of Form), according to the current page length setting. The carriage position is moved to the start of the line

### **Format**

Decimal	Hex	ASCII
12	0C	FF

## Select Half-Speed Printing

Turns on half-speed mode to provide quiet printing, and more accurate print positioning during text mode printing.

### **Format**

Decimal	Hex	ASCII
27 115 1*	1B 73 01*	ESC “s” 1*

## Cancel Half-Speed Printing

Turns off half-speed mode (factory default), and continues with normal speed printing.

### **Format**

Decimal	Hex	ASCII
27 115 0*	1B 73 00*	ESC “s” 0*

## Set Inactivity Time for Sleep Mode

Sets the amount of time the printer waits before it goes into low-power mode. The factory default is 10 seconds.

### Format

Decimal	Hex	ASCII
27 122 n	1B 7A n	ESC “z” n

## Line Feed

### Perform Line Feed

Prints and then clears the contents of the print buffer, resets the character count to zero; and advances the printhead to the next print line, using the current spacing. The position of the carriage is not affected and a carriage return is not executed.

### Format

Decimal	Hex	ASCII
10	0A	LF

### Perform n/216-inch Line Feed

Advances the paper to n/216 of an inch. This does not affect subsequent line feeds. Range of *n* is 0-255.

### Format

Decimal	Hex	ASCII
27 74 n	1B 4A n	ESC “J” n

## Perform n/216-inch Reverse Line Feed

Reverses the line feed by  $n/216$  of an inch. This does not affect subsequent line feeds. Range of  $n$  is 0-255.

### Format

Decimal	Hex	ASCII
27 106 n	1B 6A n	ESC “j” n

## Perform Master Reset

Initializes the printer and restores factory installed printer defaults, (see [“Factory-Installed Printer Defaults” on page 143](#) for a complete list of settings that are initialized with this command).

### Format

Decimal	Hex	ASCII
27 64	1B 40	ESC “@”

## Set Print Position (absolute)

Moves the printhead to an absolute horizontal position on the paper. The distance is specified in dots from the left margin to the new print position (at which subsequent characters are printed). Each dot represents  $1/60$  of an inch. The values for  $n1$  and  $n2$  determine the distance, as follows:

$$\text{number of dots} = n1 + (n2 * 256)$$

Maximum position is 480. The previous contents of the current print buffer is printed.

If the position specified moves the printhead outside the current margins, the command is ignored and the previous setting remains in effect. This command is also ignored in right, center, and full justification modes.

### Format

Decimal	Hex	ASCII
27 36 n1 n2	1B 24 n1 n2	ESC “\$” n1 n2

## Set Print Position (relative)

Moves the printhead to a horizontal position on the paper, relative to the current printhead position. The distance specified is in dots. To determine n1 and n2, first calculate the displacement required in 1/120ths of an inch. If the displacement is to the left, subtract it from 65536. The values for n1 and n2 determine the distance, as follows:

$$\text{number of dots} = n1 + (n2 * 256)$$

Maximum displacement is  $\pm 960$ . If the position specified would place the printhead outside the current margins, this function is ignored and the previous setting remains in effect. This function is also ignored in right, center, and full justification modes.

### Format

Decimal	Hex	ASCII
27 92 n1 n2	1B 5C n1 n2	ESC “\” n1 n2

## Select Top-Down Printing

Enables top-down printing (factory default). First page is printed first.

### Format

Decimal	Hex	ASCII
27 31 0	1B 1F 00	ESC US (0)

## Select Bottom-Up Printing

Enables bottom-up printing. The last page is printed first.

### Format

Decimal	Hex	ASCII
27 31 1	1B 1F 01	ESC US (1)



## Select Unidirectional Printing

Turns on unidirectional printing mode. Unidirectional printing moves the printhead from left-to-right only, allowing for more accurate print positioning during text mode printing.

### Format

Decimal	Hex	ASCII
27 85 1*	1B 55 01*	ESC “U” 1*

## Cancel Unidirectional Printing

Turns off unidirectional printing (factory default), allowing the printhead to print in both directions

### Format

Decimal	Hex	ASCII
27 85 0*	1B 55 00)	ESC “U” 0*

## Select Unidirectional (one line) Printing

Turns on unidirectional printing for the current line only. The contents of the print buffer is printed, and cleared before setting this mode. This allows more accurate print positioning during text mode printing, for the current line.

### Format

Decimal	Hex	ASCII
27 60	1B 3C	ESC “<”

## Page Formatting Functions

This set of functions consists of control codes that change the formatting of the page. The page length (form length) and margin settings define the printable area on the page. These settings need to conform to the actual size of the paper used in the printer. The line spacing functions set the amount of space from one line to the next, for line feeds. The factory default is 1/6 inch (6 lines per inch). The page length, vertical tab, and skip over perforation functions are also dependent on the line spacing function.

### Set Page Length (lines)

Sets the length of the paper in lines, where the range of  $n$  (number of lines) is 1-127 (default = 66). Keep in mind the line spacing and actual length of the paper when specifying this value, since this function is dependent on those parameters. Top-of-Form is reset to the current line and the Skip Over Perforation setting is canceled.

#### Format

Decimal	Hex	ASCII
27 67 n	1B 43 n	ESC "C" n

### Set Page Length (inches)

Sets the length of the paper in inches, where the range of  $n$  (number of inches) is 1-22 (default = 11). Keep in mind the line spacing and actual length of the paper when specifying this value, since this function is dependent on those parameters. Top-of-form is reset to the current line and the Skip Over Perforation setting is canceled.

#### Format

Decimal	Hex	ASCII
27 67 0 n	1B 43 00 n	ESC "C" NUL n

**Select 1/8-inch Line Spacing**

Sets the line spacing is set to 1/8 of an inch (8 lines per inch), for subsequent lines.

**Format**

Decimal	Hex	ASCII
27 48	1B 30	ESC “0”

**Select 7/72-inch Line Spacing (7 dots)**

Sets the line spacing to 7/72 of an inch (approximately 9.7 lines per inch), for subsequent lines.

**Format**

Decimal	Hex	ASCII
27 49	1B 31	ESC “1”

**Select 1/6-inch Line Spacing**

Sets the line spacing to 1/6 of an inch (6 lines per inch), for subsequent lines (factory default). 1/6 inch is equal to 12 dot spacing.

**Format**

Decimal	Hex	ASCII
27 50	1B 32	ESC “2”

**Select n/216-inch Line Spacing**

Sets the line spacing to n/216 of an inch, for subsequent lines. A spacing of 1/216 inch is 1/3 the distance between pins of the printhead (approximately 1/3 of a dot) and 27/216 is 8 lines per inch. Range of *n* is 0-255.

**Format**

Decimal	Hex	ASCII
27 51 n	1B 33 n	ESC “33” n

### Select n/72-inch Line Spacing (n dots)

Sets the line spacing to n/72 of an inch, for subsequent lines. A spacing of 1/72 inch (1 point in font size) is the distance between pins on the printhead (approximately 1 dot) and 9/72 is 8 lines per inch. Range of *n* is 0-85.

#### Format

Decimal	Hex	ASCII
27 59 n	1B 41 n	ESC “A” n

### Set Right Margin

Clears all text in the print buffer and sets the right margin to *n* columns, using the current character pitch. This is the number of the characters from column 1 (at the left edge of the paper) to the last column before the right margin (factory default = 80).

Minimum space between margins is the width of one double-width pica character. Maximum value for this is the maximum number of characters (based on the current pitch) that would fit between the left margin and the right edge of the default printable area of the page. Ranges shown below could vary, depending on values of other parameters that affect character width. If the value specified is not within the allowed range, it is ignored.

Range of *n* is 2-80 in Pica mode, 2-96 in Elite mode, and 2-136 in compressed mode.

#### Format

Decimal	Hex	ASCII
27 81 n	1B 51 n	ESC “Q” n

### Set Left Margin

Clears the print buffer text and sets the left margin, relative to the number of columns to the left of the first column to print (factory default = 0).

Minimum space between margins is the width of one double-width pica character. Maximum value must be less than the right margin. Ranges shown below could vary, pending on other parameter values that affect character width. If the specified value is not within the range, it is ignored.

Range of *n* is 0-78 in pica mode; 0-93 in elite mode, and 0-133 in compressed mode.

**Format**

Decimal	Hex	ASCII
27 108 n	1B 6C n	ESC “I” n

**Set Skip Over Perforation**

Defines the number of lines to skip between the last printed line on the page and the first printed line on the next page is set. If the value specified for this function is greater than the page length, it is ignored. This function is canceled by using one of the Set Page Length functions (factory default = disabled). This function is valid for continuous paper only.

The amount of space left blank at the bottom of the printed page is dependent upon the current Line Spacing.

**Format**

Decimal	Hex	ASCII
27 78 n	1B 4E n	ESC “N” n

**Cancel Skip Over Perforation**

Cancels the skip over perforation, which allows the maximum number of lines to print on each page.

**Format**

Decimal	Hex	ASCII
27 79	1B 4F	ESC “O”

## Character Style and Text Mode Functions

The following set of functions affect the appearance of text on the printed page. This could involve size, typeface, or other characteristics of the text.

### Select Condensed Character Mode

Selects condensed mode which prints characters at approximately 60% of the normal width. This results in character pitches, as shown below (for exact pitch values, see “[Master Select](#)” on page 53).

#### Character Pitches

Condensed Mode	Condensed + Expanded	Condensed + Elite
17 cpi (approximate)	9 cpi (approximate)	20 cpi (approximate)

This function empties the print buffer and turns compressed mode on, and stays on until canceled by cancel compressed mode, ESC SI or DC2 (factory default = disabled).



**Note:** This function is not supported in Double-Byte Character Sets (DBCS).

#### Format

Decimal	Hex	ASCII
27 15	1B 0F	ESC SI
15	0F	SI

### Cancel Condensed Character Mode

Cancels the compressed mode, enabled by select compressed mode, SI or ESC SI (1).



**Note:** This function is not supported in DBCS.

**Format**

Decimal	Hex	ASCII
27 18	1B 12	DC2
18	12	DC2

**Select Double-Strike Mode**

Enables double-strike printing, until cancel double-strike mode is encountered. Factory default disables double-strike. Text is made bolder by printing each dot twice, with the second dot slightly below the first dot. This mode is not available in NLQ, but is not canceled when you select NLQ.



**Note:** This function is not supported in DBCS.

**Format**

Decimal	Hex	ASCII
27 71	1B 47	ESC “G”

**Cancel Double-Strike Mode**

Cancels double-strike mode.



**Note:** This function is not supported in DBCS.

**Format**

Decimal	Hex	ASCII
27 72	1B 48	ESC “H”

## Select Double-Wide Mode

Enables expanded print for the current line only. The mode set previously returns on subsequent lines. However, expanded print can be canceled with cancel expanded print, DC4 or ESC “W” (0), before end of current line, or wrapping of the print buffer. This works with all three pitches (Pica, Elite, Compressed).

This mode is also terminated by the execution of a Carriage Return, Line Feed, Form Feed, Vertical Tab or wrapping of the print buffer.



**Note:** This function is not supported in DBCS.

### Format

Decimal	Hex	ASCII
27 14	1B 0E	ESC SO
14	0E	SO

## Cancel Double-Wide Print

Cancels expanded print for the current line only. Modes set previously return on subsequent lines. However, it does not cancel expanded mode set by select double-wide (expanded) mode, ESC “W” (1) or Master Select, ESC “!”.



**Note:** This function is not supported in DBCS.

### Format

Decimal	Hex	ASCII
27 20	1B 14	DC4
20	14	DC4



## Select Double-Wide Print

Enables expanded print until Cancel Expanded Print is encountered. Factory default disables double-wide mode.



**Note:** This function is not supported in DBCS.

### Format

Decimal	Hex	ASCII
27 87 1*	1B 57 01*	ESC “W” 1*

## Cancel Double-Wide Print

Cancels double-wide print mode.



**Note:** This function is not supported in DBCS.

### Format

Decimal	Hex	ASCII
27 87 0*	1B 57 00*	ESC “W” 0

## Select Elite Pitch

A character pitch of 12 cpi (characters per inch) is selected. This also cancels pica pitch (factory default = Pica).



**Note:** This function is not supported in DBCS.

### Format

Decimal	Hex	ASCII
27 77	1B 4D	ESC “M”

### Select Emphasized Print Mode

Enables emphasized print mode until cancel emphasized mode is encountered. The text is made bolder by printing each dot twice, with the second dot slightly to the right of the first dot. Factory default disables emphasized mode.



**Note:** This function is not supported in DBCS.

#### Format

Decimal	Hex	ASCII
27 69	1B 4B	ESC “E”

### Cancel Emphasized Print Mode

Cancels emphasized print mode.



**Note:** This function is not supported in DBCS.

#### Format

Decimal	Hex	ASCII
27 70	1B 46	ESC “F”

### Define Intercharacter Space

Defines the amount of space to the right of each character, in addition to the space allowed in the character design. The variable *n* represents the number of units of space, with each unit equal to 1/120 of an inch. Range of values for *n* is 0-63 with a factory default of 0.

#### Format

Decimal	Hex	ASCII
27 32 n	1B 20 n	ESC SP n

## Select Italic Mode

The text (nongraphic) characters are italicized. Factory default disables italic mode.



**Note:** This function does not work well with DBCS or alternate Single Byte Character Sets (SBCS).

### Format

Decimal	Hex	ASCII
27 52	1B 34	ESC “4”

## Cancel Italic Mode

Cancels the italic mode.



**Note:** This function does not work well with DBCS or alternate Single Byte Character Sets (SBCS).

### Format

Decimal	Hex	ASCII
27 53	1B 35	ESC “5”

## Master Select

Allows you to specify a combination of print modes. The variable *n* is determined by combining values for the desired modes, by adding them together.



**Note:** This function is not supported in DBCS.

### Format

Decimal	Hex	ASCII
27 33 n	1B 21 n	ESC “!” n

Valid combinations of the values in the following table include any combinations except that Pica cannot combine with Elite.

### Example

Pica Compressed Italic Underlined, by adding values (00h + 04h + 40h + 80h), which results in C4h for the value of *n*.

### Master Select Values

Hex Value	Mode
00h	Pica
01h	Elite
04h	Condensed (compressed)
08h	Emphasized
10h	Double-Strike
20h	Double-Width (expanded)
40h	Italic
80h	Underlined

The following print conflicts occur between modes. A mode in any column takes precedence over all modes in the columns to its right.

### Print Conflicts

1	2	3
Elite	Emphasized	Compressed

The following print modes can be combined producing different pitches:

### Print Modes

Pitch	Mode
5 cpi	Expanded
6 cpi	Expanded Elite
8.58 cpi	Expanded Compressed
10 cpi	Pica
12 cpi	Elite
17.16 cpi	Compressed

## Select Pica Pitch

Select a character pitch of 10 cpi (characters per inch) (factory default). This also cancels Elite pitch.



**Note:** This function is not supported in DBCS.

### Format

Decimal	Hex	ASCII
27 60	1B 50	ESC “P”

## Select Superscript Mode

Prints all subsequent characters in approximately 2/3 the normal height in the upper part of the character space, until Cancel Subscript/Superscript is encountered.



**Note:** This function is not supported in DBCS.

### Format

Decimal	Hex	ASCII
27 83 0*	1B 53 00*	ESC “S” 0*

## Select Subscript Mode

Prints all subsequent characters in approximately 2/3 the normal height in the lower part of the character space, until Cancel Subscript/Superscript is encountered.



**Note:** This function is not supported in DBCS.

**Format**

Decimal	Hex	ASCII
27 83 1*	1B 53 01*	ESC “S” 1*

**Cancel Subscript/Superscript Mode**

Cancels the effects produced by select superscript mode and select subscript mode. Factory default also disables both of these modes.



**Note:** This function is not supported in DBCS.

**Format**

Decimal	Hex	ASCII
27 84	1B 54	ESC “T”

**Select Underline Mode**

Enables the underlining of all subsequent characters (including spaces) until the cancel underline mode function is encountered.

**Format**

Decimal	Hex	ASCII
27 45 1*	1B 2D 01*	ESC “_” 1*

**Cancel Underline Mode**

Cancels the effect of the select underline mode. Factory default also disables the underline mode.

**Format**

Decimal	Hex	ASCII
27 45 0*	1B 2D 00*	ESC “_” 0*

## Tabs and Tab Setting Functions

There are control codes for setting horizontal and vertical tabs.

Horizontal tabs:

- Are not affected by subsequent changes in pitch.
- May range up to maximum width for character and printer size.
- All previous tab stops are cleared when new tab stops are set. If the left margin is changed after the horizontal tabs are set, tab stops are cleared.
- Become absolute positions and are not affected by any subsequent change in character size.
- Set outside of the printable area are ignored.

Vertical tabs:

- Tab positions are line numbers, counting from the Top of Form.
- All tabs set beyond the page length are stored, but are not used.
- Any tab set within the SOP range (Skip Over Perforation), during the time SOP is active, are stored but not used until SOP is canceled.
- If a vertical tab, and the next tab stop is outside the printable page area, a form feed is executed placing the printhead at the next Top of Form.
- Previous tab stops are cleared when new tab stops are set.
- Are not affected by subsequent changes in line spacing.

### Perform Horizontal Tab

Moves the print position to the next horizontal tab stop. The tab positions, set by ESC “D”, the Set Horizontal Tabs function, are not affected by any changes in character pitch.

The factory default tab settings are at intervals of eight characters, in the currently selected pitch. For the default tabs, the actual distance to each tab position is affected by changes in character pitch.

#### **Format**

Decimal	Hex	ASCII
9	09	HT

## Set Horizontal Tabs

Resets the current horizontal tabs, and new horizontal tabs are set up, based on the current character width (pitch).

### Format

Decimal	Hex	ASCII
27 68 n1 n2 ..nk 0	1B 44 n1 n2 .. nk 00	ESC “D” n1 n2 .. nk NUL

n1 is the first tab (range for tab stops: 1-160), n2 is the second tab (all tabs in ascending order), ... are subsequent tabs (maximum tabs: 32), nk is the last tab to set (any value less than the previous tab value acts as a terminating character), NUL is the terminating character.

## Clear Horizontal Tabs

Clears all horizontal tab stops. It is merely a variant behavior of the Set Horizontal Tabs function, where the *NUL* acts as an early terminating character, as existing tabs normally clear before setting any new tabs.

### Format

Decimal	Hex	ASCII
27 68 0	1B 44 00	ESC “D” NUL

## Perform Vertical Tab

Prints the contents of the current print buffer, and then moves the print position to the next vertical tab stop. If no channel is selected, then channel 0 is used. The carriage position is changed to the start of the next print line. If the vertical tab is performed beyond the last tab position set or beyond the last line of a form, then a form feed is performed. If no vertical tabs are defined, then the paper advances one line, using the currently selected line spacing, without changing the carriage position.

### Format

Decimal	Hex	ASCII
11	0B	VT



## Set Vertical Tabs

Resets the current tabs, and vertical tabs are set up, based on the current line spacing. Tab settings are not affected by subsequent changes in line spacing.

### Format

Decimal	Hex	ASCII
27 66 n1 n2 .. nk 0	1B 42 n1 n2 .. nk 00	ESC “B” n1 n2 .. nk NUL

n1 is the first tab (range of values for tab stops: 1-255), n2 is the second tab (all tabs must be in ascending order), ... are subsequent tabs (maximum number of tabs: 16), nk is the last tab to set (any value less than the previous tab value acts as a terminating character), NUL is the terminating character. All tab settings with this function are stored in channel 0.

## Clear Vertical Tabs

Clears all vertical tab stops. This is a variant behavior of the Set Vertical Tabs function, where the *NUL* acts as an early terminating character.

### Format

Decimal	Hex	ASCII
27 66 0	1B 42 00	ESC “B” NUL

## Set Vertical Tabs in Channel

This function works the same as the Set Vertical Tabs function, except that it stores the tabs into a specified channel, as specified by the variable *c*. This channel is selected for use by the Select Vertical Tab Channel function.

### Format

Decimal	Hex	ASCII
27 98 c n1 n2 .. nk 0	1B 62 c n1 n2 .. nk 00	ESC “b” c n1 n2 .. nk NUL

*c* is the channel number (range: 0-7), *n1* is the first tab (range of values for tab stops: 1-255), *n2* is the second tab (all tabs must be in ascending order), ... are subsequent tabs (maximum number of tabs is 16), *nk* is the last tab to set (any value less than the previous tab value acts as a terminating character), and NUL is the terminating character.

### Clear Vertical Tabs in Channel

Clears all vertical tab stops in the specified channel. This is a variant behavior of the Set Vertical Tabs in Channel function, where the NUL acts as an early terminating character, since this function normally clears the existing tabs before setting any new tabs.

#### Format

Decimal	Hex	ASCII
27 98 <i>c</i> 0	1B 62 <i>c</i> 00	ESC “b” <i>c</i> NUL

### Select Vertical Tab Channel

Selects a specified vertical tab channel. It sets up the current tabs from that channel. Once this function is performed, all subsequent Perform Vertical Tab commands use the tab stops from the list retrieved from the specified channel. At power on, the printer uses the tabs stored in channel 0.

#### Format

Decimal	Hex	ASCII
27 47 <i>c</i>	1B 2F <i>c</i>	ESC “/” <i>c</i>

*c* is the channel number (range: 0-7).

## Using Character Sets and User-Defined Functions

You can install different character sets on the printer. In some cases more than one character set may be present at one time, depending on the amount of available font memory. The 6820 reserves 438 K of memory for installing fonts in flash memory. You can install fonts using NPCP or the Printer Configuration Utility.

## Single-Byte Character Sets

Single-byte character sets (SBCS) are supported for MS-DOS, PL/N, and Intermec application compatibility. Nft00000.mod is the default character set (font) for compatibility with the 6820 Nft00437.mod is the IBM/Microsoft compatible character set for Code Page 437.

## Double-Byte Character Sets

Double-byte character (DBCS) sets require two bytes to send to the printer to define the character to print. The first byte of the character code sent to the printer is known as a lead-in byte. The second byte of the character code is known as the trailing byte. Different character sets have different requirements for the values of both lead-in and trailing byte. When the lead-in byte does not fall in the range listed for the character set, a character from a SBCS may print. The following double-byte character sets are supported by the 6820.

### Double-Byte Character Sets

Font Module	Code Page	DBCS Languages	Lead-in Byte	Trailing Byte
nft00936.mod	936	GB 2312 Chinese (simplified)	A1h–ABh B0h–F7h	A1h–FEh
nft00950.mod	950	big 5 Traditional Chinese	A1h–C6h C9h–F9h	40h–FEh (except 7Fh)
nft00932.mod	932	Shift JIS Japanese	81h–9Fh E0h–FCh	40h–FCh (except 7Fh)
nft00949.mod	949	KSC 5601 Korean	A1h–ACh B0h–C8h CAh–FDh	A1h–FEh

## Multi-Byte Character Sets

Double-byte character sets and single-byte character sets can mix when printing a report. This mixture is referred to as a Multi-Byte Character Set (MBCS). When a DBCS is selected, the characters from the SBCS code page currently selected are used for rendering character codes and control codes from 0 to 127. Codes above 127 (that fall within the range of lead-in bytes for the selected character set) treat the byte that follows as a trailing byte for that character set. Otherwise, for character codes

above 128, the character code from the selected SBCS is printed. NFT00950.MOD (BIG 5 DBCS) does not allow the MBCS mode. For this character set, only control codes from 0-31 are treated as single byte characters when they are not preceded by a lead-in byte. All escape sequence character strings are treated as SBCS.

### Select National Character Set

By default, code page 0 is selected by the printer at reset. Use the following escape sequence to select international character support. Escape sequence codes can only be used for code page 0. All other code pages use direct character code mapping to select the appropriate font for rendering.

#### Format

Decimal	Hex	ASCII
27 82 n	1B 52 n	ESC “R” n

n is 0-14 and is the country code, as shown in the International Character Sets table on the next page. The default value for n is zero (USA).

A full 256 character set is not provided for these sets. There are 64 international characters stored in ROM, 32 in Roman and 32 in Italic. They are stored as codes 0-31 and 128-255. These are normally not accessible. The ESC “R” command makes these codes available, but only 12 characters at a time. These 12 are available in these positions of the ASCII character table: 35, 36, 64, 91, 92, 93, 94, 96, 123, 124, 125, and 126, as shown in the International Character Sets table.

### International Character Sets

Country	Country Number	35	36	64	91	92	93	94	96	123	124	125	126
USA	0	#	\$	@	[	\	]	^	‘	{		}	~
France	1	#	\$	à	°	ç	§	^	‘	é	ù	è	..
Germany	2	#	\$	§	Ä	Ö	Ü	^	‘	ä	ö	ü	b
England (UK)	3	£	\$	@	[	\	]	^	‘	{		}	~
Denmark 1	4	#	\$	@	Æ	Ø	Å	^	‘	æ	ø	å	~
Sweden	5	#	¤	É	Ä	Ö	Å	Ü	é	ä	Ö	å	ü
Italy	6	#	\$	@	°	\	é	^	ù	à		è	ì



## Chapter 4 – Control Code Definitions

```
* . * . * . . * . * . * . * . . . . . * . * . * . * . . . . . * . * . * . * . * . . . . . *
. . . . . . . . . . . . . . . . . . . . . . . . . . . . . . . . . . . . . . . . . . . . . . . .
. . . . . . . . . . . . . . . . . . . . . . . . . . . . . . . . . . . . . . . . . . . . . . . .
81          82          83          84          85          86          87          88
```

```
. . . . . * . . . . . . . . . . . . . . . . .
* . . * . * . * . . * . * . * . * . . . . . *
* . . * . * . * . . * . . . . . * . . . . . *
* . . * . * . * . . * . . . . . * . * . * . *
* . * . * . . . * . . . * . * . . . . * .
* . . * . * . * . * . * . . . * . . . . . *
. . . . . . . . . . . . . . . . . . . . . . .
. . . . . . . . . . . . . . . . . . . . . . .
89          90          91
```

## Greek Character Set

### Greek Character Set

Dec	Hex	Chr	Dec	Hex	Chr	Dec	Hex	Chr
97	61	A	105	69	I	113	71	P
98	62	B	106	6a	K	114	72	S
99	63	G	107	6b	L	115	73	T
100	64	D	108	6c	M	116	74	Y
101	65	E	109	6d	N	117	75	F
102	66	Z	110	6e	X	118	76	X
103	67	H	111	6f	O	119	77	Y
104	68	q	112	70	P	120	78	W

The selected set stays in effect until the printer is reset and receives a Master Reset command, or a new international character set is selected.



**Note:** This function is only used with the default character set

## User Defined Characters

This section describes user-defined characters and how characters are copied into printer memory.



**Note:** RAM-based definition or redefinition of standard characters is only useful when the default SBCS code page is selected. There is no method to redefine characters in the other code pages, since unique code pages can be created and loaded into the printer memory.

### Copy ROM to RAM

The characters in ROM are copied into RAM, so a complete user-defined character set is created by editing selected characters. This ensures that all characters are defined when a user-defined character set is selected. This eliminates the need to cancel the selection when printing defined characters.



**Note:** This function is only useful with the default SBCS.

#### Format

Decimal	Hex	ASCII
27 58 0 0 0	1B 3A 00 00 00	ESC “.” NUL NUL NUL

### Define User Defined Characters

Characters are redefined by the user in the currently selected mode. However, they can only be used in draft mode.



**Note:** This function is only useful with the default SBCS.

#### Format

Decimal	Hex	ASCII
27 38 0 k1 k2 s1 d1 ... d11	1B 26 00 k1 k2 s1 d1 ... d11	ESC “&” k1 k2 s1 d1.....d11

k1 is the character code of the first character to redefine, k2 is the character code of the last character to redefine (any character between 0-255 can be redefined), and (k1 could equal k2, if only one character is defined).

For each character defined, you must supply 12 bytes of data.

- *s1* is the first byte that describes the character format
- Bits 0-3 represent the end position in the grid
- Bits 4-6 represent the start position in the grid
- Bit 7 determines whether the character uses the top eight pins or the bottom eight pins of the printhead. If bit 7 = 0, the top eight pins are used. If bit 7 = 1, the bottom eight pins are used. The start and end positions are ignored during character imaging, but must be accurate to redefine the character code. d1...d11 is the data that comprises the dot image pattern of the defined character.

When printable code expansion is enabled with ESC I, the Printable Code Area Expansion function, and the user-defined character set is selected with ESC “%” (1), the Select User-Defined Set function, then the codes (less than 20h and greater than 7Fh) can be defined for use and are printable.

When printable code expansion is enabled with the Enable Printing of Codes 128-159 function, and the user-defined character set is selected with the Select User-Defined Set function, then codes (between 80h and 9Fh) can be defined for use and are printable.

For a list of these characters, refer to the **“Printable Code Expansion Characters” on page 68.**

### Select User-Defined Character Set

A user-defined character set can be selected, after the Define User-Defined Characters function is used to define the character set.



**Note:** This function is only useful with the default SBCS.



**Format**

Decimal	Hex	ASCII
27 37 1	1B 25 01	ESC “%” (1)

**Select Default Character Set**

If the Select User-Defined Set function was previously set, this function switches back to the default character set.

**Note:** This function is only useful with the default SBCS.

**Format**

Decimal	Hex	ASCII
27 37 0	1B 25 00	ESC “%” (0)

**Enable Printing of Codes 128-159**

All codes (128-159) are treated as printable characters, rather than control codes, with this function. This allows the use of these characters for user-defined characters. A user-defined set must be selected, using the Select User-Defined Set function, before these characters can print. Factory default disables printing of these codes.

**Note:** This function is only useful with the default SBCS.

**Format**

Decimal	Hex	ASCII
27 54	1B 36	ESC “6”

## Disable Printing of Codes 128-159

Disables the printing of codes 128-159. By default, these codes are disabled.

### Format

Decimal	Hex	ASCII
27 55	1B 37	ESC “7”

## Expand Printable Code Area

This function allows certain ASCII codes (00h to 1Fh) and codes (80h to 9Fh) to print when the variable n is set to the value of 1. This allows the use of these codes for user-defined characters. If n = 0, the function returns these two ranges of characters to non-printable control codes. A user-defined character set must be selected by ESC “%” (1), the Enable Printing of Codes 128-159 function, before these codes can print. In both ranges, only the following codes can redefine as printable characters. Codes not listed, within the range (00h-1Fh), print as standard control codes. Codes not listed, within the range (80h-9Fh), are converted to a control code in the range of (00h-1Fh), by subtraction of 80h.



**Note:** This function is only useful with the default SBCS.

### Format

Decimal	Hex	ASCII
27 73 n	1B 49 n	ESC “I” n

## Printable Code Expansion Characters

Hex	ASCII	Hex	ASCII	Hex	ASCII	Hex	ASCII
00	NUL	11	DC1	80	none	91	none
01	SOH	15	NAK	81	none	95	none
02	STX	16	SYN	82	none	96	none
03	ETX	17	ETB	83	none	97	none
04	EOT	1C	FS	84	none	9C	none

**Printable Code Expansion Characters (continued)**

Hex	ASCII	Hex	ASCII	Hex	ASCII	Hex	ASCII
05	ENQ	1D	GS	85	none	9D	none
06	ACK	1E	RS	86	none	9E	none
10	DLE	1F	US	90	none	9F	none

**Enable Printing of Character Graphics**

Enables the printing of character graphics, until disabled with the Disable Printing of Character Graphics function.



**Note:** This function is only useful with the default SBCS.

**Format**

Decimal	Hex	ASCII
27 116 1	1B 74 01	ESC “t” (1)

For character values from 0 to 31 (00h-1Fh):

- When the default SBCS code page is selected, the FX-86e IBM character graphics symbol set is printed.
- When other SBCS code pages are selected, the codes (00h-1Fh), listed above in the Printable Code Expansion Characters table are printed.

For character values from 32 to 126 (20h-7Eh):

- When the default SBCS code page is selected, the selected international character set is printed.
- When other SBCS code pages are selected, the international character set selection is not in effect.

For the character value 127 (7Fh):

- When the default SBCS code page is selected, a space is printed
- When other SBCS code pages are selected, the character associated with the code page is printed.

For character values from 128 to 255 (80h-FFh), the FX-86e Epson Character Graphics set is printed.

### **Disable Printing of Character Graphics**

Disables the printing of character graphics. Factory default disables this function.

**Format**

Decimal	Hex	ASCII
27 116 0	1B 74 00	ESC “t” (0)

### **Enable Printing of Character Graphics**

This function allows printing of character graphics from the currently selected SBCS code page, by sending a graphics string to the printer. The values of the graphics data bytes can range between 0-255.

**Format**

Decimal	Hex	ASCII
27 43 n d1 ... dn	1B 2B n d1 ... dn	ESC “+” n d1 ... dn

*n* is the length of the character graphic string and d1 ... dn are the character graphics data stream.

The number of data bytes must be equal to the value of the variable *n*. The range of values (for the characters in each graphics data byte): 0-255.

For character values from 0 to 31 (00h-1Fh):

- When the default SBCS code page is selected, the FX-86e IBM character graphics symbol set is printed.
- When other SBCS code pages are selected, currently selected single byte code page character graphics are printed.

For character values from 32 to 126 (20h-7Eh):

- When the default SBCS code page is selected, the selected international character set is printed.

- When other SBCS code pages are selected, the character from the currently selected code page are printed.

For the character value 127 (7Fh):

- When the default SBCS code page is selected, a space is printed
- When other SBCS code pages are selected, the character graphics symbol is printed.

For character values from 128 to 255 (80h-FFh):

- When the default SBCS code page is selected, the FX-86e Epson Character Graphics set is printed.
- When other SBCS code pages are selected, the corresponding character is printed.

## **Graphics Functions**

### **Eight-Pin Graphics Modes**

All 8-pin graphics functions require parameters,  $n1$  and  $n2$ , which represent the length of the graphics string that follows the select graphics mode command, and are calculated as follows (assuming a temporary variable  $n$ ):

- $n$  = total number of graphics dots needed for the graphic string
- $n2$  = integer of ( $n$  divided by 256)
- $n1$  = remainder of the  $n2$  calculation

The simplest calculation, is to divide  $n$  (total number of dots needed for the graphics string) by 256. Then  $n2$  is the quotient (the whole number) and  $n1$  is the remainder. If you require less than 256 dots (columns), then  $n1$  indicates the number of dots and  $n2$  is set to zero.

## Select Graphics Mode

Enables the graphics mode represented by the variable *m* in the Graphic Modes table. The total number of dot columns to print is represented by *n1* and *n2*. Any graphic string that exceeds the length of the print line is discarded.

### Format

Decimal	Hex	ASCII
27 42 <i>m n1 n2</i>	1B 2A <i>m n1 n2</i>	ESC “*” <i>m n1 n2</i>

## Reassign Graphics Mode

Changes graphic modes.

### Format

Decimal	Hex	ASCII
27 63 <i>s n</i>	1B 3F <i>s n</i>	ESC “?” <i>s n</i>

*s* is one of the K, I, Y, or Z characters and *n* is one of the 0-7 modes as shown in Graphic Modes table.

## Graphic Modes

Mode	<i>n</i>	Dots per Inch / Dots per 8 in Line
Single-dDensity	0	60 dots per inch, 480 dots per 8 in line
Low Speed Double-Density	1	120 dots per inch, 960 dots per 8 in line
*High Speed Double-Density	2	120 dots per inch, 920 dots per 8 in line
*Low-Speed Quadruple-Density	3	240 dots per inch, 1920 dots per 8 in line
CRT I	4	60 dots per inch, 480 dots per 8 in line
Single-Density Plotter	5	72 dots per inch, 576 dots per 8 in line
CRT II	6	90 dots per inch, 720 dots per 8 in line
*Double-Density Plotter	7	144 dots per inch, 1152 dots per 8 in line

\*Adjacent dots in a given row cannot be printed in these modes.

## Select Single Density Graphics Mode

This is a simple method of printing graphics. The resolution is 60 dots per inch. Each 8-inch line can accommodate 480 columns of graphic dots. A graphic string that exceeds the length of the print line is discarded. Calculating the parameters, n1 and n2, is described on page 74.

### Format

Decimal	Hex	ASCII
27 75 n1 n2	1B 4B n1 n2	ESC “K” n1 n2

## Select Low-Speed Double Density Graphics Mode

If Single Density graphics does not produce high enough density, try this mode. The number of dots per inch is doubled. However, the speed is reduced to half of what it would be with single density. Calculating the parameters, n1 and n2, is described in [“Nine-Pin Graphics Modes” on page 74](#).

This is 8-pin single density graphics. The resolution is now 120 dots per inch. Each 8-inch line can accommodate 960 columns of graphic dots. A graphic string that exceeds the length of the print line is discarded.

### Format

Decimal	Hex	ASCII
27 76 n1 n2	1B 4C n1 n2	ESC “L” n1 n2

## Select High-Speed Double Density Graphics Mode

This 8-pin graphics mode produces the same density as the Low-Speed Double Density mode, however, the speed is doubled. Calculating the parameters, n1 and n2, is described on page 74.

### Format

Decimal	Hex	ASCII
27 89 n1 n2	1B 59 n1 n2	ESC “Y” n1 n2

The resolution is still 120 dots per inch. Each 8-in line can accommodate 960 columns of graphic dots. A graphic string that exceeds the length of the print line is discarded. Make sure adjacent dots in a given dot row are not printed.

### **Select Low-Speed Quadruple Density Graphics Mode**

With this 8-pin graphics mode, the number of dots per inch has gone up to 4x what it was in single density. Calculating the parameters, n1 and n2, is described below.

#### **Format**

<b>Decimal</b>	<b>Hex</b>	<b>ASCII</b>
27 90 n1 n2	1B 5A n1 n2	ESC “Z” n1 n2

The resolution is now 240 dots per inch. Each 8-in line can accommodate 1920 columns of graphic dots. A graphic string that exceeds the length of the print line is discarded. Make sure adjacent dots in a given dot row are not printed.

### **Nine-Pin Graphics Modes**

These 9-pin graphics functions also require two parameters, n1 and n2. They are calculated slightly different than in the 8-pin graphics modes. Since two data bytes represent each dot column to print, first divide the total length of the graphic string (following the Select Graphics Mode command) by two. These parameters are calculated as follows (assuming a temporary variable n):

- n = total number of dots needed, divided by 2
- n2 = integer of (n divided by 256)
- n1 = remainder of the n2 calculation

First, divide n (the total number of dots needed for the graphics string) by 2, then divide the result by 256. Then n2 is the quotient (the whole number) and n1 is the remainder. If you require less than 256 dots (columns), then n1 indicates the number of dots and n2 is set to zero.



**Select 9-Pin Single Density Graphics Mode**

Enables single density 9-pin graphics mode. Calculating the parameters, n1 and n2, are described previously under nine-pin graphics modes.

**Format**

Decimal	Hex	ASCII
27 94 0 n1 n2	1B 5E 00 n1 n2	ESC “^” (0) n1 n2

The resolution is 60 dots per inch. Each 8-in line can accommodate 480 columns of graphic dots. A graphic string that exceeds the length of the print line is discarded.

**Select 9-Pin Double Density Graphics Mode**

Enables double density, 9-pin graphics mode. The parameters, n1 and n2, are described previously under 9-pin graphics modes

**Format**

Decimal	Hex	ASCII
27 94 1 n1 n2	1B 5E 01 n1 n2	ESC “^” (1) n1 n2

The resolution is now 120 dots per inch. Each 8-inch line can accommodate 960 columns of graphic dots. A graphic string that exceeds the length of the print line is discarded.



# 5 Troubleshooting and Maintaining the 6820

This chapter helps you correct printing problems that may occur. If you experience a printing problem, you can perform several tests to find and possibly correct the problem. In this chapter you will find these sections:

- Troubleshooting Basics
- Aligning the Printer Mechanism
- Understanding Printer Errors
- Troubleshooting Using the Printer Self-Test
- Understanding Diagnostic Information
- Cleaning the Printer Case
- Cleaning the Printer Ribbon
- Cleaning the Mask Spring

## Troubleshooting Basics

The printing system is composed of four basic components: power source, printer, computer, and communications. Any one of these components can prevent the printer from functioning properly.

### Checking the Power Source

Press any button on the printer control panel. If there is power, the power indicator (green LED) turns on and the printhead moves to its starting position. If the printer emits beeps and any of the other indicators light up or flash, observe the number of beeps and indicator flashes and see **“Printer Failure Indicators” on page 82**.

If there is no reaction from the printer after you press a button on the control panel, or if the power LED blinks, verify that the power cables are properly connected between the printer mechanism and its power source (internal battery, vehicle cable, or ac). If none of these steps “wake” up the printer with the problem, then you need to return the printer for service.

- **Internal battery**  
Check the battery and its cable by installing into a known-good printer.
- **Vehicle cable**  
Attach the printer in question to another vehicle power cable or another printer to the vehicle cable you are using.
- **AC power**  
Plug the printer into another outlet.

### Testing the Printer

If the power indicator works properly and the printer still does not print, then printer errors are noted. If any indicators light when you press the **Set Page** button, or the printer beeps, refer to the Printer Failure Indicators table on **page 82** to determine the problem.

If none of the listed conditions are indicated by the beep codes and LEDs, yet the printer does not perform properly, then perform a printer self-test. Press and hold (for several seconds) both **Form Feed** and the **Set Page** buttons at the same time, until the printer beeps and all indicator lights come on. The lights change throughout the test, as it progresses.

At the end of the self-test, the printer generates a report. This report verifies the following:

- errors detected during self-test
- error history
- communication configuration

If the printer self-test report does not print, reset the printer. If the report does print after resetting, then the printer is all right and the reason the printer does not respond to PC print requests is probably communications or PC related. If the report is partially completed, and a printer error occurs during the printing of self-test, see the Printer Failure Indicators table on [page 82](#) for the cause of the printer failure.

Perform a power-on-self-test (POST) to test for errors either by resetting the printer or powering it up. If errors occur, audible error codes, along with indicator light status, are produced during POST (see the POST Error Codes table on [page 83](#)).

If the POST completes without error, try the printer self-test again. If the self-test prints correctly, but the printer does not respond to the PC, then the problem may be related to communications or PC problems.

### Testing Communications/PC

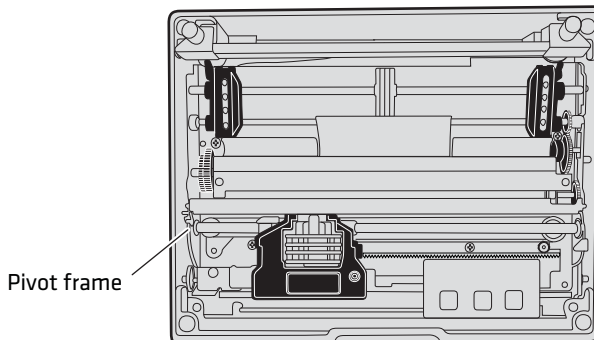
Use the self-test report to verify that the communications protocol options, selected at the printer, match those expected by the host. For information on the self-test report see [“Running the Self-Test” on page 86](#). If communication protocol options are incorrect, reconfigure the printer as described in [“Setting the 6820 Configuration” on page 29](#).

## Aligning the Printer Mechanism

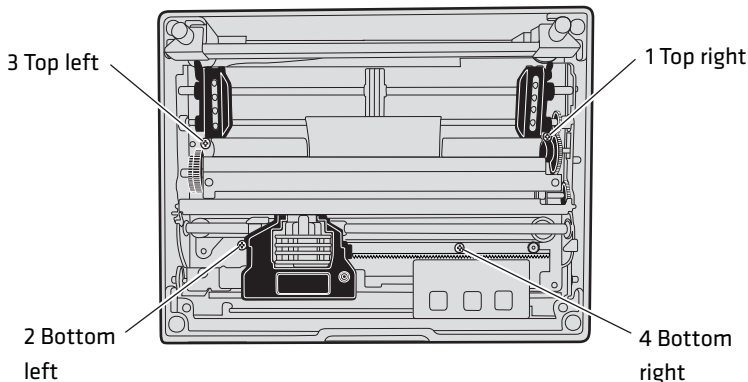
If head jams occur, you may need to align the printer mechanism.

### To align the printer mechanism

- 1 Open the printer top cover, then install a ribbon cartridge (see [page 15](#)) and position the printhead to the far left toward the green thumb wheel.



- 2 Check the area between the printhead and the printer cavity. If the ribbon cartridge touches the pivot frame, the printer mechanism needs realignment.
- 3 Loosen the four screws that hold the mechanism in place using a Phillips screwdriver.



- 4** Push the printer mechanism to the right away from the green thumb wheel.
- 5** Press on the right side of the printer mechanism to the back as far as it will go.



**Note:** In this position, the right back edge of the printer mechanism may touch the pivot frame. The left side must not touch the pivot frame.

- 6** Hold the printer mechanism in place and tighten the screws in the sequence shown below.

## Understanding Printer Errors

Printer errors are divided into classes:

- Runtime errors
- Power-On-Self-Test (POST) errors
- Fatal errors (consisting of flash write errors and EEPROM block errors)

### Runtime Errors

Runtime errors can occur during the course of printing. These errors are displayed on the LEDs, along with beep sequences. This causes the printer to stop printing and enter an error state. Then beep sequences are emitted, LED codes are displayed, the error status may be sent to the host (depending on the protocol), and the printer goes into suspend mode.

The printer exits from the suspend mode when the user presses one of the keyboard keys or communications is resumed from the host. The printer also places the printhead in its home position and attempts to recover from the error condition. Until the error condition is corrected, the error procedure does not end, and the error state is not removed.

For paper out errors, load paper and press the **Set Page** button before printing begins. Press the **Form Feed** button to load the paper to the top of form. The following table provides a listing of printer failure indicators and describes what they mean.

### Printer Failure Indicators

Sets of Beeps	Paper Out	Head Jam	Low Batt	Meaning
1 beep	Off	Off	On	12 V under voltage fault (Low Battery)
1 set of 2 beeps	Off	Off	2 blinks	12 V over voltage fault (Input Voltage too high)
1 set of 3 beeps	Off	Off	3 blinks	24 V under voltage fault (internal power supply failure)
1 set of 4 beeps	Off	Off	4 blinks	24 V over voltage fault (internal power supply failure)
1 set of 13 beeps	Off	Off	Off	Configuration error
2 sets of 2 beeps	Off	2 blinks	2 blinks	printhead over temperature
2 sets of 3 beeps	On	Off	Off	Paper Out
2 sets of 4 beeps	Off	On	Off	Head Jam
5 sets of 2 beeps	5 blinks	5 blinks	5 blinks	Paper feed current fault (Possible paper jam or feed motor failure)
3 sets of 2 beeps	3 blinks	Off	3 blinks	printhead over current (printhead failure)
3 sets of 4 beeps	Off	3 blinks	Off	Home switch failure
4 sets of 2 beeps	4 blinks	4 blinks	Off	printhead short (printhead failure)
12 sets of 12 beeps	Off	Off	Off	Operating System software failure



**Note:** The most common errors are Paper Out, Low Battery, and Head Jam. Status indicators on the front panel alert you to these errors. For a description see **“Understanding the Status Indicators” on page 3.**



## Troubleshooting Using the Power-On-Self-Test (POST)

When you reset the printer, a POST runs to determine why the printer might be failing. Audible error codes, along with indicator light status, are produced during POST if an error occurs. See on POST Error Codes on [page 83](#).

### To perform a POST

- 1 Open the printer case.
- 2 Insert the printer diagnostic cable into the phone jack on the printer and then connect the 9-pin D-sub plug to your PC. The cable is used during POST to configure the printer, access printer diagnostics, update software, and install new fonts.
- 3 Press the **Reset** button to start the POST. When the POST starts, the power LED will come on followed by a single beep indicating that the printer is active.



**Note:** After the test is completed, all LEDs turn off and the printhead moves to the home position. Only runtime errors or fatal errors are reported until the next time the printer is reset and POST is performed.

The printer emits beeps and flashes the LEDs to indicate the cause of any POST errors. POST error codes are described in the following table.

### POST Error Codes

Long Beep	Short Beep	Paper Out	Head Jam	Low Batt	Power	Meaning
0	1	Off	Off	Off	On	Operational
0	0	Off	Off	Off	Off	No Power
0	0	Off	Off	Off	On	Control program Initial Program Load (IPL) successful
1	1	Off	On	Off	On	Invalid CRC on boot block
1	2	Off	On	On	On	Invalid CRC on control program or program not found
1	4	Off	Off	Off	On	Upper 192K RAM failure
1	4	Off	Off	On	On	Upper 64K RAM failure
0	0	On	Off	Off	On	Diagnostic mode command check

**POST Error Codes (continued)**

Long Beep	Short Beep	Paper Out	Head Jam	Low Batt	Power	Meaning
1	5	On	Off	On	On	Diagnostic flash memory check failed or is not initialized
1	5	On	On	Off	On	Diagnostic memory write failure
0	0	On	On	On	On	Control program IPL

## Understanding Fatal Errors

There are two types of fatal errors, flash write errors and EEPROM configuration block errors. These errors are extremely rare, but measures are built into the printer diagnostics to track possible occurrences.

### Flash Write Errors

Errors related to writing or erasing flash are critical errors. These errors cause the printer to stop all processing and produce an LED code and a sequence of beeps. The LED code indicates the address of the segment where the error occurred in octal notation.

The octal digit changes every four beeps until four octal digits are output. Only four octal digits are output since blocks are 256 bytes in size and flash can be addressed with a total of 0x7ff blocks. The segment address output is the runtime address of the flash block and not the offset of the block within flash.

#### To obtain the block offset within the flash

- Subtract 0x800 from the address output to determine the block offset.

The printer suspends after the processing the error code. When the printer resumes, an error again and the printer suspends again. Reset the printer to correct the error. If a reset does not correct the error, have the printer checked by a qualified service technician.



**Note:** Flash write errors may be unrecoverable.

## **EEPROM Configuration Block Errors**

Errors related to an invalid block (diagnostic block) produce 13 beeps, and then the printer suspends. It continues to produce this symptom until the configuration block error is corrected.

Configuration block errors may be caused by a flash write error or an incorrect printer configuration. Reset the printer to correct the error. If a reset does not correct the error, try reloading the printer control program using the Printer Configuration Utility or have the printer checked by a qualified service technician.

# **Troubleshooting Using the Printer Self-Test**

## **Self Test Function Descriptions**

The self-test performs the following functions.

### **Boot Block Program Verification**

A CRC (Cyclic Redundancy Check) is performed on the boot block program. The calculated CRC is compared to the CRC embedded in the program module.

### **Control Program Verification**

A CRC is performed on the control program, which is loaded into writable flash program memory. The calculated CRC is compared to the CRC embedded in the program module. The results of this test are printed on the self-test report.

### **Font Module Verification**

A CRC is performed on the font modules, which are loaded into writable flash font memory. The calculated CRC is compared to the CRC embedded in the program module. Results are printed on the self-test report.

### **A2D Check**

Current reading of the A2D sources are performed, and the results are printed on the self-test report.

### **Nonvolatile Diagnostic Memory Verification**

A CRC is performed on the area of the nonvolatile diagnostic memory that has a CRC over it. Results are printed on the self-test report.

### **Nonvolatile Diagnostic Memory Update**

The nonvolatile diagnostic memory is updated from the nonvolatile diagnostic memory data shadowed in memory.

## **Performing a Printer Self-Test**

### **Initiating a Self-Test**

- While the printer is idle or in Suspend mode, press the **Line Feed** and **Set Page** buttons simultaneously to start a self-test.

### **Terminating Self-Test**

- Press the **Line Feed** and **Set Page** buttons simultaneously to manually terminate a self-test.

## **Running the Self-Test**

Perform a self-test to verify printer functions, and provide reporting of printer diagnostics. The self-test performs a series of internal diagnostics and prints the results. When the self-test begins, the beeper sounds for half a second and all LEDs turn on for half a second.

A self-test is equivalent to a warm start. Both are performed when you simultaneously press **Form Feed** and **Set Page** buttons on the control panel for a few seconds. Release the buttons when the printer beeps and all indicators are lit. If you press the buttons for too long, the self-test will not happen and the printer will form-feed one page.

As the self-test progresses, the indicator lights change. Internal tests are performed and a two page report is printed. The report provides helpful information in diagnosing and troubleshooting printer problems.

## **Understanding the Self-Test Report**

The self-test report is divided into sections. Refer to [page 89](#) and [page 90](#) for a sample printout. All other values are informational only. Remember that these values are cleared after the self-test.

- The printer model number is given on line 1 (first line). This identifies the printer type used, in this case the 6820.
- The 8-digit serial number of the printer is listed on line 4 under the “Serial#” heading on line 3. The serial number is also on the inside of

the printer. In portable printers, raise the printer mechanism to look for the number on the inside back wall.

- **Battery Voltage, (line 13)**  
Indicates the input voltage sampled at the beginning of the self-test. The input range must be between 7.5 and 15 V. The input voltage must be greater than 10.5 V to charge the internal battery. At 7.5 V or less, the Low Batt LED comes on and the printer enters Sleep mode. At 10.5 V or less, the Low Batt comes on but the printer still prints.
- **Auto Feed (line 16)**  
Auto feed is a configurable item. Carriage Return (CR) means no auto linefeed. This is the most common setting for applications using NPCP. CR+LF means a line feed will be added to each CR. This setting can produce double-spacing of reports. Set auto feed using the Printer Configuration utility see **“Using the Printer Configuration Utility” on page 21.**
- **Interface Mode (line 17)**  
Interface mode lists the interface protocol for the printer. The typical setting is NPCP. Others include DTR with no, odd, or even parity, and IrDA. Set Interface mode using the Printer Configuration utility see **“Using the Printer Configuration Utility” on page 21.**
- **Bit Rate (line 18)**  
Bit rate is commonly set to 19200 (19.2K) or 9600 bps. See **“Selecting the Bit Rate” on page 29.**
- **A2D History (lines 21 through 25)**  
Shows the recorded history for voltage measurements and temperature measurements.
- **Head Jam History (lines 26 through 29)**  
Provides information on head jams. If the printer is having frequent head jams, these lines can assist in determining the problem.

### **Head Jam Information**

<b>Heading</b>	<b>Description</b>
Home	Err indicates the home position LED sensor has failed.
Command	Indicates which printer command was executed when the head jammed.

**Head Jam Information (continued)**

<b>Heading</b>	<b>Description</b>
Direction	Indicates which way the head was moving, left is toward the home position and right is away from the home position. Home position is at the extreme left, toward the green thumb wheel.
Speed	Indicates the acceleration speed of the printhead when the jam occurred.
Step	The acceleration step at the jam. 0 means no steps were taken, 15 means all steps were taken. 1-14 indicates the printer jammed during acceleration or deceleration.
Temp	The ambient temperature at the last head jam. The temperature is listed in Celsius.
Position	Position of carriage at the time of the jam in 1/720 in = 12 * step position. Divide the number by 12 to get the step position. There are 512 steps across the page. If it is jammed at position 0, check the printer mechanism alignment. If it is jamming in the middle, it is more likely a dirty ribbon or obstruction in the printhead's path.

- **Head Dot Pattern (line 37)**  
Is used to verify the individual dot wires. There should be nine dots. If some dots are missing, it could be a printhead failure or a circuit board failure.
- **Error Log information appears on lines 38-43.** This information is cleared after every self-test.

**Error Log Information**

<b>Heading</b>	<b>Description</b>
PE	Number of paper jams while feeding paper
HJ	Number of head jams while printhead is moving
12Vu	Number of 12 V under-voltage
12Vo	Number of 12 V over-voltage
24Vu	Number of 24 V under-voltage (head/motor voltage)
24Vo	Number of 24 V over-voltage
Home	Number of home detect errors (typically caused by paper scraps or circuit failures)

**Error Log Information (continued)**

Heading	Description
Temp	Unused
OverC	Number of head over-current errors (typically caused by a bad printhead)
HeadS	Number of head driver short errors (typically caused by circuit failures)
Fault	Number of paper feed motor over current errors (excess current in paper feed motor could indicate circuit failure)
ADErr	Number of A2D conversion failures
EEErr	Number of EEPROM write failures to diagnostic block
Dlink	Number of software memory errors (corruption in internal memory)
Llink	Number of software memory errors

**Sample First Page of the Self-Test**



**Note:** Lines 15-18 are factory default printer settings. Take note of these lines when reading the self-test report.

```
----- 1NP6820
2 Copyright 1997, 1998, Intermecc Technologies Corporation. All Rights Reserved.
3Serial#   MFG Date   Hardware   Check   Repairs   Svc Date
412345678  yy/mm/dd   ddd-ddd-ddd/ddd (TOP)  GO/NG   00       yy/mm/dd
5         ddd-ddd-ddd/ddd (MLB)
6         ddd-ddd-ddd/ddd (PS)
7         ddd-ddd-ddd/ddd (IOB)
8Revisions:.....000000000303100
9Bootblock: NPBB6820.MOD - Version XX.XX XXXX XXXX GO/NG
10Control Program: npfl6820.mod - Version XX.XX XXXX XXXX GO/NG
11Font Module: nftxxxxx.mod - Version XX.XX XXXX XXXX GO/NG
12Font Module: nftxxxxx.mod - Version XX.XX XXXX XXXX GO/NG
13Battery Voltage: 012.34 Low...../....High
14Total Pages: 123456
15Zero Font Style: 0
16Auto Feed: CR
17Interface mode: NPCP
18Bit Rate: 19200
19Cold Starts: 00024
20Warm Starts: 00050
21A2D History
22 Curr Low High Min Max Error Page Count
2324v: 024.00 023.21 023.91 023.21 024.51 027.21 00401 00021
2412v: 012.55 010.91 013.51 010.90 014.50 8.71 00401 00021
25Temp: 023 -020 055 -021 060 000 00401 00021
```

## Chapter 5 – Troubleshooting and Maintaining the 6820

```
26Head Jam History
27Total Head Jams: 00186
28Home Command Direction Speed Step Temp Position Page
29 Print Left Const 010 -010 01440 12345
30NPCP History
31Disc Addr Parity IFTS Seq CRC Frame Bind IPLDU
3212345 12345 12345 12345 12345 12345 12345 12345 12345
33IRDA History
34 FramesOk BroadCasts CRC/TMO DISCARD
35rx 1234567890 1234567890 0123456789 0000000000
36tx 1234567890 1234567890 0123456789 0000000000
37HEAD DOT PATTERN

38 Error Log
39PE HJ 12Vu 12Vo 24Vu 24Vo Home Temp OverC Heads Fault ADErr EEErr
40Dlink Llink
4112345 12345 12345 12345 12345 12345 12345 12345 12345 12345 12345 12345
4212345 12345 12345 12345 12345 12345 12345 12345 12345 12345 12345 12345
4312345 12345 12345 12345 12345 12345 12345 12345 12345 12345
```

### Sample Second Page of the Self-Test

Page 2 of the self-test contains the print pattern used to diagnose printer mechanical behavior. The pattern continuously prints the ASCII characters between 33 and 126 decimal inclusive for the entire page, or until you cancel the print by pressing a button on the printer. An example of that rotating pattern is shown below.

```
!"#$%'()*+,-./
0123456789:;<=>?@ABCDEFGHIJKLMNPOQRSTUVWXYZ[\]^_`abcdefghijklmnopqrstuvwxyz{|}~!"#$%'
()*+,-./
0123456789:;<=>?@ABCDEFGHIJKLMNPOQRSTUVWXYZ[\]^_`abcdefghijklmnopqrstuvwxyz{|}~!"#$%'
()*+,-./
0123456789:;<=>?@ABCDEFGHIJKLMNPOQRSTUVWXYZ[\]^_`abcdefghijklmnopqrstuvwxyz{|}~!"#$%'
()*+,-./
0123456789:;<=>?@ABCDEFGHIJKL
```

### Self-Test Failure

- For help, see “Miscellaneous Troubleshooting Tips on [page 90](#).”
- Check the power source (internal battery, charge cable, or AC adaptor) for a possible power failure.

## Miscellaneous Troubleshooting Tips

The following table lists actual printing problems, possible causes, and actions you should take to correct a problem.



**Note:** In paper jams or head jams, press the **Set Page** button to clear the printer before printing can resume.



**Possible Printer Problems**

Symptom	Test or Cause	Solution
Printer does not communicate with the mobile computer. Bluetooth unable to connect.	Incorrect protocol selection.	Check lines 17 and 18 on the self-test report for correct bit rate and protocol selection. Change protocol settings using the Printer Configuration Utility. For instructions see <b>“Using the Printer Configuration Utility” on page 21.</b>
Make sure you are in range (10 cm to 10 m).	Make sure your device is configured to be discoverable and/or connectable. For help, see Bluetooth Configuration Commands and Specifications on <b>page 119.</b>	Make sure the Bluetooth shutdown timer has not expired
Double-spacing on application reports but single-spacing on self-test.	Check line 16 on the self-test report. CR+LF indicates an incorrect configuration for NPCP.	For help, see <b>“Cleaning the Mask Spring” on page 106.</b>
Zero prints incorrectly (with or without slash).	Check line 15 on the self-test report for the Zero Font Style setting.	If incorrect, adjust the zero print option, see <b>“Cleaning the Mask Spring” on page 106.</b>
Does not print extended character set — missing font.	Check line 11 or 12 on the self-test report to see if the NFT0000.MOD file is listed after Font Module.	Use the 6820 Printer Tool Kit to reload the font file or send the printer in for hardware repair.
Printer emits 1 or 2 beeps or blinking green light is the only indicator.	Printer mechanism does not have adequate power for printing. The 12 V may be under or over voltage fault. (Note: Error lights do not flash if voltage is too high.)	Check the battery or power supply.
If battery, recharge or replace (see <b>“Installing the Internal Battery” on page 10.</b> )	If power supply, adjust supply voltage to 7.5 to 15 V.	Check the printer’s internal battery, if installed. Check the vehicle charge cable (see <i>6820 Printer Installation Instructions</i> P/N 931-052-xxx).
Printer emits 2 sets of 3 beeps.	Printer out of paper.	Reload paper into printer mechanism. For help, see <b>“Loading the Paper Tray” on page 13.</b>

**Possible Printer Problems (continued)**

Symptom	Test or Cause	Solution
Printer works but some or all LEDs do not work.	Gray ribbon cable connecting control panel board to pivot frame assembly is loose.	Call Customer Support (800-755-5505) or send the printer in for repair.
Printer does not print.	No voltage	Voltage too high or low. Check line 13 on the self-test report, under the Battery Voltage heading
No data input.	Adjust supply voltage to 7.5 to 15 V  Tighten computer connections.	No paper feed (paper jam or head jam)
<b>Test:</b> Pull paper toward roller. <b>Cause:</b> If paper is resistant:	Paper tray too full	Torn paper perforation
Paper wrinkled, creased, moist, or perforations missing.	White ribbon cables obstructing paper  Ensure fewer than 200 3-ply sheets in the deep paper tray and fewer than 50 3-ply sheets in the shallow paper tray.	Head Jams due to carriage alignment. Check line 29 on self-test report, under Position heading, for value.  Remove torn paper, load and center new paper, readjust pinfeed holders.
Replace the paper.	Straighten the white ribbon cables.	If “0,” realign mechanism in pivot tray. See <b>“Aligning the Printer Mechanism” on page 80</b>
No paper feed (paper jam or head jam).	Move the printhead manually from side to side.	Remove ribbon cartridge, move printhead. If smooth, ribbon is jammed. Remove ribbon cartridge, move printhead. If still resistant, mask spring is bent or damaged.

**Possible Printer Problems (continued)**

Symptom	Test or Cause	Solution
<b>Cause:</b> printhead gap adjuster too tight.	Remove ribbon cartridge and turn knob. If ribbon resists, replace ribbon cartridge (see <b>“Installing the Ribbon Cartridge” on page 11</b> )	
<b>Cause:</b> Paper scraps found in printer mechanism or around platen.	Replace the mask spring see <b>“Cleaning the Mask Spring” on page 106</b>	
Printer mechanism unlatched (unlocked). (portable, fixed mount printers).	Set the head gap adjuster to the fifth notch away from the paper see <b>“Adjusting the Printhead Gap” on page 12</b> If ribbon cartridge bumps against inside of printer, check white ribbon cable, home position sensor, and four screws.	
	Remove any paper scraps, do a cleaning.	
	Latch (lock) the printer mechanism into place.	
	Perform a self-test.	

## Understanding Diagnostic Information

Diagnostic information is stored in flash to support the hardware configuration, both at time of manufacture and in the field. This includes recording the initial configuration changes to hardware and software, and various environmental statistics helpful in determining why failures are occurring in the field. The flash is provided for storage of critical data that must remain in the unit after power to the unit is lost. The data in the flash is used for diagnostic information for a catastrophic failure, or over the phone with a customer.

Diagnostic information is updated and maintained by the printer. All diagnostic information is shadowed in RAM. At the end of every 50 forms, the flash information is updated from the RAM. The printer also updates the diagnostic information for nonrecoverable error, printer resets, printer self-test, and remote polling of diagnostic information.

Fields are stored with ID first, then length, then data. The details of the data and the length of the entire field, including ID and Length bytes, are shown in the Diagnostic Information table.

The amount of flash memory reserved for nonvolatile diagnostic memory is 16 K bytes. Printer self-test prints most of the information contained in the diagnostic memory for remote and end-user diagnostic access.

**Diagnostic Information**

Field Id	Length	Description	Stored as	Total Length
01	4	Serial Number	7 digit BCD set at MFG	39 bytes
	3	Date of Manufacture, yy/mm/dd	6 digit BCD set at MFG	
	7	Hardware Configuration	52 digit BCD set at MFG	
	7	ddd-ddd-ddd/ddd (top level P/N)		
	7	ddd-ddd-ddd/ddd (control board)		
	7	ddd-ddd-ddd/ddd (power supply)		
7	ddd-ddd-ddd/ddd (I/O board)			
	2	CRC of preceding fields	2 byte binary set at MFG	
08	8	Hardware Revisions: ECNs. applied. 64 ECNs can record separately by number 1-64.	8 byte bit field	11 bytes
	1	Service Repairs: a two-digit field indicating number of times serviced	2 BCD digits	
	3	Date of last repair, yy/mm/dd	6 BCD digits	
09	2	Cold starts since MFG or last repair	binary digits	8 bytes
	2	Warm starts since last cold start	binary digits	
	2	Pages printed over life	binary digits	
10	2	Last high and low voltage extremes on 24 V input over last 50 reports. Extremes stored as 8-bit A2D conversions	2 bytes	11 bytes
	2	Voltage extreme history stores min/max 24 V A2D conversions over printer life	2 bytes	

**Diagnostic Information (continued)**

Field Id	Length	Description	Stored as	Total Length
	1	24 V voltage error. Voltages greater than 10% considered errors. A2D error count	1 byte	
	2	Form number at last voltage error	2 bytes	
	2	24 V error count	2 bytes	
20	2	Last high and low voltage extremes on 12 V input over last 50 reports. Extremes stored as 8-bit A2D conversions	2 bytes	11 bytes
	2	Voltage extreme stores min/max 12 V A2D conversions over printer life	2 bytes	
	1	12 V error. Voltages less than 10.5 V and greater than 14.5 V are considered errors. A2D value is recorded	1 byte	
	2	Page number at last 12 V error	2 bytes	
	2	12 V error count	2 bytes	
30	2	Temperature, maximum and minimum over last 50 reports. Set A2D value	2 bytes	11 bytes
	2	Temperature, min/max over printer life. Set A2D value	2 bytes	
	1	Temperature error. Last A2D conversion below -10 or above 60°C recorded	1 byte	
	2	Page number at last temperature error	2 bytes	
	2	Total number of temperature errors	2 bytes	
40	2	Total number of head jams	2 bytes binary	11 bytes

**Diagnostic Information (continued)**

Field Id	Length	Description	Stored as	Total Length
1		Command 0 = Stop 2 = Print 4 = Print/LF 6 = Seek 8 = Slow Seek 10 = Change Speed 12 = Feed 14 = Wait	bits 0-3	
		Speed 00 = Init 01 = Low 10 = High	bits 4-5	
		Direction 1 = Left 0 = Right	bit 6	
		Home Switch 0 = No Error 1 = High Error	bit 7	
1		Acceleration or deceleration stop motor value when jam occurred	1 byte binary	
1		Ambient temperature when had jam occurred. Set A2D value	1 byte	
2		Form number where head jam occurred	2 bytes binary	
2		Carriage position where head jam occurred	2 bytes binary in 1/720 in	
60	4	IrDA rxFramesOK – total frames received OK	4 bytes	46 bytes
	4	IrDA rxFrameCrcErr – total frames received with CRC error	4 bytes	
	4	IrDA rxTotalBytes – total bytes received OK	4 bytes	
	4	IrDA rxFramesDiscardBuf – total frames discarded due to no buffer space	4 bytes	
	4	IrDA rxBroadcastFrames – total broadcast frames received OK	4 bytes	

**Diagnostic Information (continued)**

Field Id	Length	Description	Stored as	Total Length
	4	IrDA rxFramesDiscardHwErr – total received frames discarded due to hardware error	4 bytes	
	4	IrDA txFramesOK – total frames transmitted OK	4 bytes	
	4	IrDA txTotalBytes – total bytes transmitted OK	4 bytes	
	4	IrDA txBroadcastFrames – total broadcast frames transmitted OK	4 bytes	
	4	IrDA txFramesNotTxTimeout – total frames not transmitted due to time out	4 bytes	
	4	IrDA txFramesNotTxHwErr – total frames not transmitted due to a hardware error	4 bytes	
70	2	Paper out count	2 bytes	74 bytes
	2	Head jam count	2 bytes	
	2	12 V low count	2 bytes	
	2	12 V high count	2 bytes	
	2	24 V low count	2 bytes	
	2	24 V high count	2 bytes	
	2	Home switch error count	2 bytes	
	2	Unused	2 bytes	
	2	Over current error count	2 bytes	
	2	Head short error count	2 bytes	
	2	Paper fault error count	2 bytes	
	2	A2D conv. error count	2 bytes	
	2	EEPROM write error count	2 bytes	
	2	Double link error count	2 bytes	
	2	Lost link error count	2 bytes	
	2	Out of buffers error count	2 bytes	
	2	Unused	20 * 2 bytes	

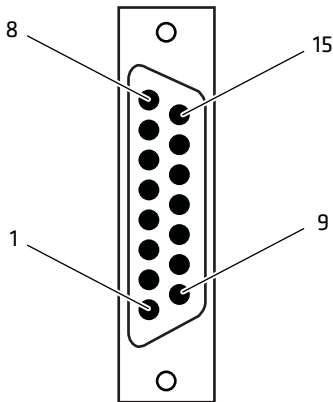
# Cable Configurations

This section shows common cable configurations between a mobile computer or a dock and the printer.

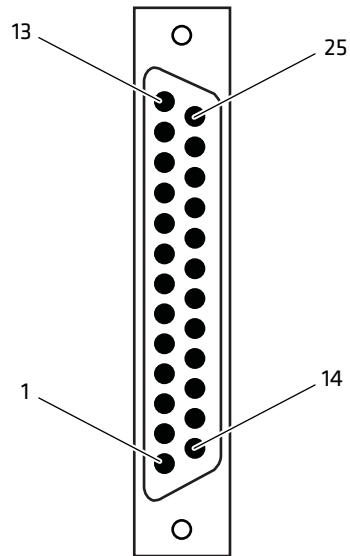
Mobile Computer

Wall Mount Printer or  
Remote Mount Terminal Holder

<u>Signal Name</u>	<u>Pin #</u>	<u>Pin #</u>	<u>Signal Name</u>
Chassis Ground	shield	1	NC (No Connection)
Charge Input	8	9	HHC_CHARGE
SG (Signal Ground)	9	7	GND
DSR (Data Set Ready)	7	6	DTR
DTR (Data Terminal Ready)	2	20	NC
CTS (Clear To Send)	6	5	RTS
RTS (Ready To Send)	3	4	CTS
RXD (Receive Data)	5	3	TXD
TXD (Transmit Data)	4	2	RXD
Dock_A/B_SW	NC	12	Term A/B



15-Pin D-sub Male  
15-Pin to 25-Pin Cable (P/N 216-605-1XX)



25-Pin D-sub Male

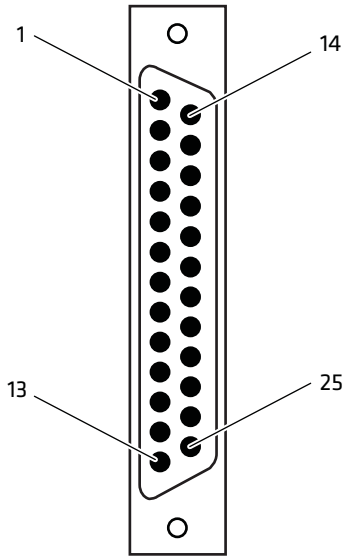
## 15-Pin to 25-Pin Cable (P/N 216-605-xxx)



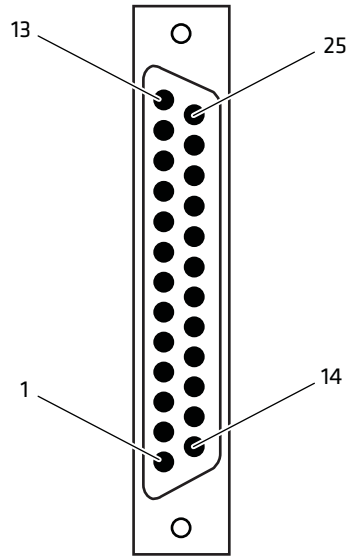
## Chapter 5 – Troubleshooting and Maintaining the 6820

PC		Wall Mount Printer
<u>Signal Name</u>	<u>Pin #</u>	<u>Pin #</u>
DTR (Data Terminal Ready)*	20 ————— 20	NC (No Connection)
RC (Receive Carrier)	17 ————— 17	NC
TC (Transmit Carrier)	15 ————— 15	NC
DCD (Data Carrier Detect)	8 ————— 8	NC
SG (Signal Ground)	7 ————— 7	GND
DSR (Data Set Ready)*	6 ————— 6	DTR
CTS (Clear to Send)	5 ————— 5	RTS
RTS (Ready to Send)	4 ————— 4	CTS
RXD (Receive Data)	3 ————— 3	TXD
TXD (Transmit Data)	2 ————— 2	RXD

\* Signals are not available on the 6100 Dock



25-Pin D-sub Male  
25-Pin to 25-Pin Cable (P/N 216-771-XXX)

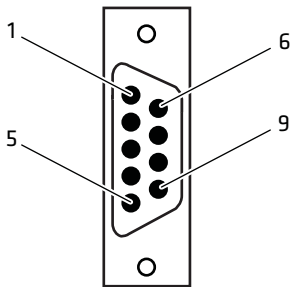


25-Pin D-sub Male

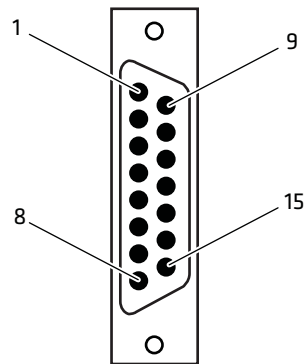
### **25-Pin to 25-Pin Cable (P/N 216-771-xxx)**

## Chapter 5 – Troubleshooting and Maintaining the 6820

PC			Printer
<u>Signal Name</u>	<u>Pin #</u>	<u>Pin #</u>	<u>Signal Name</u>
TXD (Transmit Data)	3	4	TXD
RXD (Receive Data)	2	5	RXD
RTS (Ready to Send)	7	3	RTS
CTS (Clear to Send)	8	6	CTS
DSR (Data Set Ready)	6	7	DSR
SG (Signal Ground)	5	9	SG
Chassis Ground	shell	shield	Chassis Ground
	.....	8	Terminal Charge out to computer



9-Pin D-sub Female  
9-Pin to 15-Pin Cable (P/N 226-016-XXX)



15-Pin D-sub Female

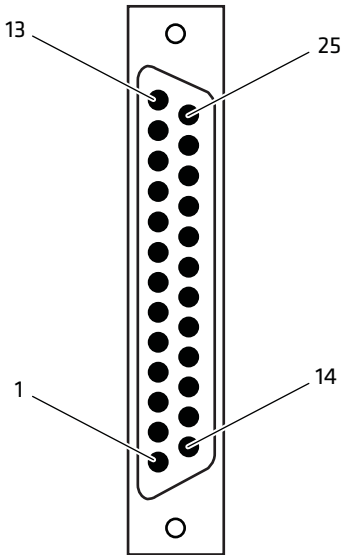
### **9-Pin to 15-Pin Cable (P/N 226-016-xxx)**

## Chapter 5 – Troubleshooting and Maintaining the 6820

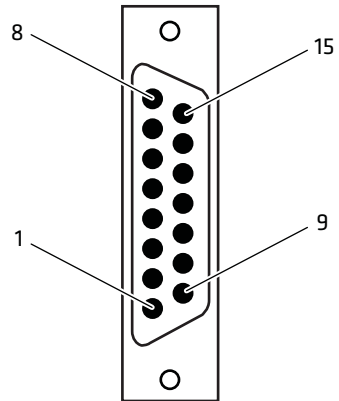
Dock

Printer w/6210 Terminal Holder

<u>Signal Name</u>	<u>Pin #</u>	<u>Pin #</u>	<u>Signal Name</u>
TXD (Transmit Data)	2	4	TXD
DTR (Data Terminal Ready)	20	2	DTR
RTS (Ready to Send)	4	3	RTS
RXD (Receive Data)	3	5	RXD
CTS (Clear to Send)	5	6	CTS
DSR (Data Set Ready)	6	7	DSR
SG (Signal Ground)	7	9	SG
	open	shield	shell



25-Pin D-sub Male  
25-Pin to 15-Pin Cable (P/N 226-162-XXX)



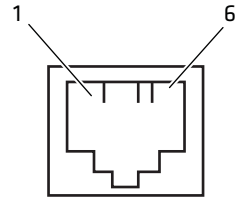
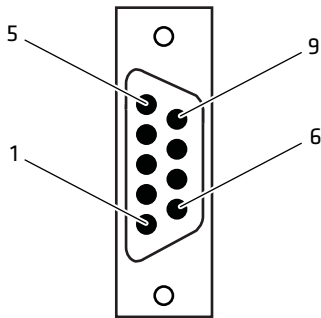
15-Pin D-sub Female

### **25-Pin to 15-Pin Cable (P/N 226-162-xxx)**

PC

Printer

<u>Pin #</u>	<u>Pin #</u>
7	6
5	5
3	3
2	2
8	1



9-Pin D-sub Female  
Data Communications Cable (P/N 226-270-XXX)

RJ-11 Jack

**Data Communications Cable (P/N 226-270-xxx)**

The printer has a 25-pin connector option with the following pinout designations and signal mnemonics:

**Printer Communications Connector**

15-Pin D-Sub	25-Pin D-Sub	Signal Name	Type	I/O	Description
1	NC	NC	---	---	NC (No Connection)
2	20	DSR (Data Set Ready)	RS-232	IN	Printer DSR
3	4	CTS (Clear To Send)	RS-232	IN	Wake up
4	2	RXD (Receive Data)	RS-232	IN	Printer RxD
5	3	TXD (Transmit Data)	RS-232	OUT	Printer TxD
6	5	RTS (Ready To Send)	RS-232	OUT	Printer RTS
7	6	DTR (Data Terminal Ready)	RS-232	OUT	Printer DTR
8	9	HHC_CHARGE	POWER	OUT	11-13 V, 2 A maximum
9	7	GND	POWER		SG (Signal Ground)

## Cleaning the Printer Case

Periodic cleaning helps maintain the appearance and reliability of the printer. When cleaning the printer, inspect both the outside and the inside for signs of damage or wear.



**Glass cleaners containing ammonia will cause permanent damage to the printer cover.**



**Do not use abrasives or solvents (acetone, ketone, toluene, or xylene) to clean any part of the printer or permanent damage to the printer will occur.**



**Note:** Micro Clean II (P/N 901-438-xxx) is the only cleaner recommended for the printer case. Other cleaners can damage the printer case. Contact Intermec Inside Sales at 1-800-255-6292 to purchase Micro Clean II.



**Note:** Guide Shaft Cleaner is recommended for cleaning your 80-column printer guide shafts. Cleaning the printer guide shaft can reduce the number of head jams caused by dirt and buildup. Contact Intermec Inside Sales at 1-800-255-6292 to purchase Guide Shaft Cleaner.

## **Cleaning the Outside of the Case**

Do not pour liquid cleaners directly on the printer case. Instead, dampen a soft, lint-free cloth with a quality cleaner and clean the exterior surfaces with this cloth. Do not use solvent solutions. Inspect the DC power jack, all cables, and the remote terminal holder or vehicle dock for damage.

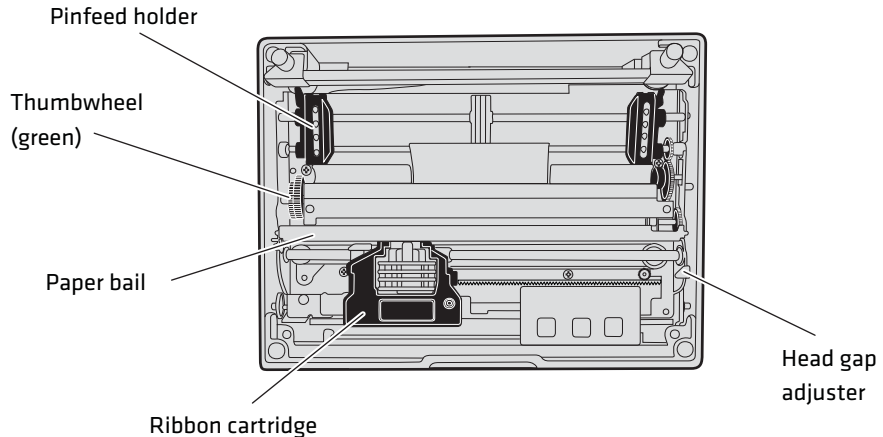
## **Cleaning the Inside the Case**



**Caution**

**Let the printer cool before you clean the inside of the printer or you may burn your fingers.**

Open the printer cover and inspect the ribbon cartridge and all visible moving parts on the printer mechanism for signs of wear or damage.



***Moving parts in the printer mechanism***

Use a low-pressure, dry air source, such as canned air, or a vacuum, to remove accumulated paper dust from the printer mechanism.

## **Changing the Ribbon Cartridge**

The printer ribbon contains a special lubricant to ensure that the fine dot wires inside the printhead receive adequate lubrication. Replace the ribbon frequently to prolong the life of the printhead. The printer requires no additional lubrication.

**To change the ribbon cartridge**

- 1** Move the printhead mechanism to an open area.
- 2** Squeeze the ribbon cartridge locking tabs (on the side of the cartridge) against the ribbon cartridge.
- 3** Lift the ribbon cartridge to remove the ribbon from the printhead. Make sure the ribbon does not catch or get sticky.
- 4** Lift the ribbon cartridge out of the printer.

## Cleaning the Mask Spring

Check the mask spring behind the printhead. If the mask spring appears to be in good condition, install a new ribbon cartridge. If the mask spring is dirty, clean it as described below.

### To clean the mask spring

- 1 Unlatch the printhead locking tabs to release the printhead, lift the printhead aside, then lift up the paper bail. Do not detach the printhead unit.

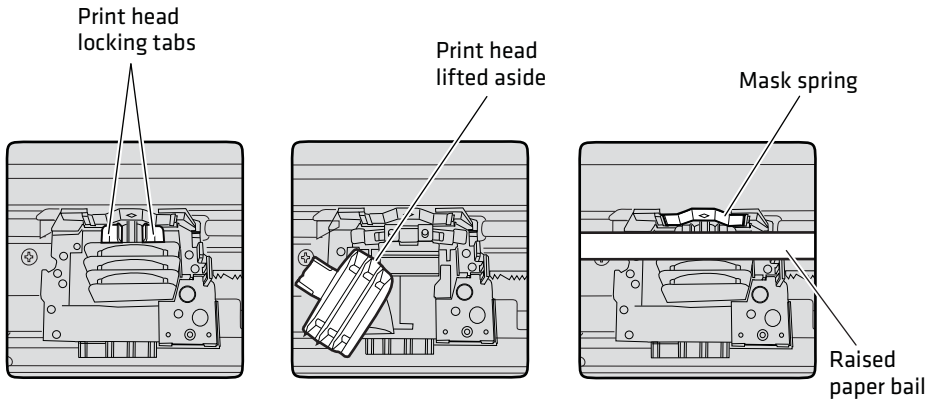


**Never use a sharp object to clean between the printhead and the platen (rubber roller) or you may damage the mask spring and printhead.**

- 2 Remove the clear plastic paper guide that seats the mask spring, if necessary. Use your fingernails to loosen the base of the paper guide, then pull the paper guide straight up from the printer mechanism.
- 3 Remove the metal mask spring from the paper guide and clean with a quality cleaner like rubbing alcohol. Replace if damaged.
- 4 Insert the mask spring in the paper guide and install the paper guide into the printer.



- 5 Close the paper bail, reinsert the printhead, latch the two printhead locking tabs, and install the ribbon.



***Cleaning the mask spring***



# A

## Specifications

This appendix provides physical specifications for the 6820 printer models as well as specifications for the media used with the printers.

# Specifications

## **Print Speed**

Print Speed	230 cps( print font used does not effect the print speed)
-------------	---

## **Weight**

Fixed Mount Printers	6.55 kg (14.41 lbs)
Portable Printers	
700 series, or CK60 holder	5.67 kg (12.25 lbs)
Mounting plate	1.93 kg (4.25 lbs)
Flat paper tray	2.45 kg (5.40 lbs)
Compact paper tray	2.05 kg (4.50 lbs)

## **Temperature**

DC Operating	-20°C to 60°C (-4°F to 140°F)
AC Operating	-20°C to 45°C (-4°F to 113°F)
Storage	-30°C to 70°C (-22°F to 158°F)

## **Humidity**

Operating	10 to 85% noncondensing
Storage	5 to 95% noncondensing

## **Altitude**

Operating	-100 to 5000 m
Storage	15,000 m

## **Electrical**

Voltage	13.8 VDC (nominal)
Current	30 mA (idle, sleep mode not charging batteries)
	3.35 A (average while printing)
	450 mA (charging internal battery)
	Up to 1.5 A (charging computer battery)

## **Vibration**

Vibration	12 g RMS for 4 hours
-----------	----------------------

## **ESD**

Noncontact	15 kV
------------	-------

Contact	8 kV
<b>Battery</b>	
Shelf Life	1 year at 25°C (77° F)
Power	12 V sealed lead-acid
	2.3 Ah



**Note:** The battery goes dead in two weeks or less when connected to the printer and with no external charge source.



**Note:** A printer and a computer, using the supplied serial cable, can operate up to 9 m (30 ft) apart.

## Printer Dimensions

Listed below are the dimensions of the fixed mount and portable printers.

### Fixed Mount Printer

The base of the fixed mount printer is 32.5 cm (12.75 in) wide by 35.5 cm (14.0 in) front to back. The upper portion varies according to the configurations shown in the following table.

#### **Fixed Mount Printer Dimensions**

<b>Configuration (with deep paper tray)</b>	<b>Width</b>	<b>Length</b>	<b>Depth</b>
with 700 Series, or CK60 Holder Side Mount	47.0 cm (18.5 in)	36.8 cm (14.5 in)	20.3 cm (8.0 in)
with 700 Series, or CK60 Holder Top Mount	38.1 cm (15.0 in)	42.6 cm (16.75 in)	20.3 cm (8.0 in)

## Portable Printer

The portable printer may come with a handle, an AC foot, or with a terminal holder top mount.

### Portable Printer Dimensions

Configuration	Width	Length	Depth
with handle, 700 Series, or CK60 Holder Top Mount, and Deep Paper Tray	38.1 cm (15.0 in)	42.6 cm (16.8 in)	20.3 cm (8.0 in)
with handle, 700 Series, or CK60 Holder Top Mount or Fill Plate, and Shallow Paper Tray	41.9 cm (16.5 in)	38.1 cm (15.0 in)	13.0 cm (5.1 in)

## Media Specifications



Using paper that matches the following specifications ensures optimum 6820 performance. Variation from these specifications, use of aged paper, or use of paper exposed to elements such as dirt or humidity may cause printing problems.

The printer works with 1-3 ply carbonless paper that is single-edge glued and designed for sprocket feed. Standard paper size is 8.5 x 11 in or 241 x 305 mm international (8.5 x 12 in). Use 3-ply forms up to a maximum of 0.23 mm (0.009 in) thick.

A soft, flexible, rubber type cement applied to one perforation strip only is preferred. The paper should wrap around a 1 1/4 in diameter roll without curl or wrinkle.

## Material Breakdown

The following tables show the material broken down per ply.

### 14# CBF (Carbonless Back and Front)

	Target	Under	Over
Basis Weight	14 lb	13.3 lb	14.7 lb
Caliper	2.9	2.6	3.2
Moisture	5.0	4.0	6.0

**14# CBF (Carbonless Back and Front) (continued)**

	Target	Under	Over
Smoothness (RS)	165	110	230
Smoothness (CB)	270	220	320
Brightness (Wht)	88	86	90
Colors available: White, Canary, Pink, Goldenrod, Blue, Green			

**15# CF (Carbonless Front)**

	Target	Under	Over
Basis Weight	15 lb	14.43 lb	15.8 lb
Caliper	3.0	2.5	3.2
Moisture	5.0	4.0	6.0
Smoothness (RS)	140	100	180
Smoothness (CB)	140	100	180
Brightness (Wht)	85	84	86
Colors available: White, Canary, Pink, Goldenrod, Blue, Green			

**16# CB (Carbonless Back)**

	Target	Under	Over
Basis Weight	16 lb	15.2 lb	16.8 lb
Caliper	3.3	2.8	3.8
Moisture	5.7	4.2	6.7
Smoothness (RS)	180	120	270
Smoothness (CB)	270	220	320
Brightness (Wht)	86	84	88
Opacity (Wht)	81	78.5	82
Colors available: White, Canary, Pink, Goldenrod, Blue, Green			

**20# OCR Laser Bond**

	Target	Under	Over
Basis Weight	20 lb	15.2 lb	16.8 lb
Caliper	4.0	3.8	4.2

**20# OCR Laser Bond (continued)**

	<b>Target</b>	<b>Under</b>	<b>Over</b>
Moisture	3.8	4.7	5.0
Smoothness	140	100	170
Brightness (Wht)	94	82	N/A
Opacity (Wht)	85	84	N/A

## **Caliper Breakdown**

The following table shows the caliper of forms broken down by ply:

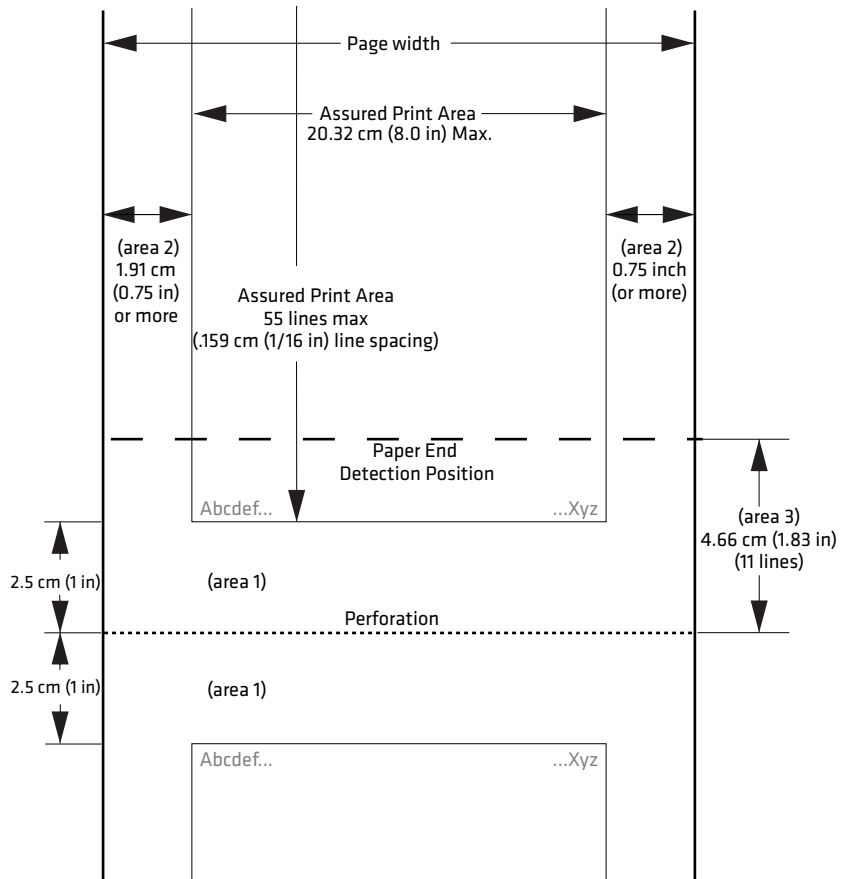
**Caliper Breakdown**

	<b>Target</b>	<b>Maximum</b>
1-Ply (20 lb)	4.0	4.2
2-Ply (15 lb and 16 lb)	6.3	7.0
3-Ply (14 lb, 15 lb, and 16 lb)	9.2	10.2



# Understanding the Fanfold Paper Page Layout

The following illustration shows the printable area of the lower section of a page of fanfold paper and the upper section of the next page. The Assured Print Area is the best area to use for printing.



## Printable Area of Fanfold Page

You should leave a 1 in margin at both the top and the bottom of the page. This provides for a margin of six lines at 1/6 in line spacing. Even though printing in Area 1 (before or after the perforation) may be possible, you should keep in mind that paper feed precision is reliable only within the Assured Print Area.

## **Appendix A – Specifications**

- The top and bottom margins are represented by Area 1, as shown in the previous illustration. The top margin is defined as the distance between the top edge of the paper and the first row of printed characters. The bottom margin is defined as the distance between the last row of printed characters and the bottom edge of the paper.
- There is a possibility that printing can start within one line below the perforation and printing could continue beyond the Assured Print Area, however paper feed precision is only reliable with top and bottom margins of approximately one inch. Basically, you should consider there are only 55 lines available for reliable printing.
- The left and right margins are represented by Area 2. For reliable printing, use a margin of at least 0.75 in for the left and right margins.

The Paper End Detection line indicates the point where the Paper Out sensor detects the bottom edge of the paper.

Area 3 represents the distance between the Paper End Detection position and the bottom edge of the page.

Once the last page of the fanfold paper stack is in the printer, and the printhead has advanced past this Paper End Detection line, printing is no longer reliable.

When the bottom end of the last page has advanced through the printer, past the spring plate along the front of the platen, the paper should not reverse back through the printer, because the printer could jam and cause paper feed problems.

## **B** Bluetooth Configuration Commands and Specifications

Configuration of the Bluetooth radio and software is accomplished using the Bluetooth Configuration Commands listed in this appendix and the Bluetooth Configuration Utility which is available from Intermec Product Support.

## Using Configuration Commands

All printable characters can be entered directly via the keyboard. Any non-printable characters are entered in binary data format.

Numbers are in decimal format except numbers with:

- an h suffix are in hexadecimal
- a “0x” prefix are in hexadecimal
- a “b” suffix are in binary

Binary data format is any non seven-bit ASCII data to transmit to the module is encoded in the Internet percent notation. Any hex byte to transmit is preceded by the “%” sign and encoded in hex ASCII. To send the value 0xF5, the “%F5” bytes are transmitted. The “%” character is always transmitted as “%25”. Thus, a Bluetooth address could transmit as “%00%E0%03%45%F4%6D”.

Generic format:

```
<command character><command type><command payload><CR>  
<command character> is one character from the set: [A-Z]  
<command type> is one character for the set: [0-9]  
<command payload> is variable in length.  
<CR> is the command terminator.
```

The <command payload> is formed from printable ASCII characters from the code range 0x20 to 0x7E.

Codes outside of this range are escaped using the percent (%) character followed by two hexadecimal digits.

The percent character is always represented by the three characters %25.

The command terminator is character code 0x13 (carriage return), or character code 0x10 (line feed), or character codes 0x13, 0x10 (carriage return, line feed).

An example command to set the friendly name to “Len’s 100% serial module”:

```
F0Len’s 100%25 serial module<CR>
```

Character codes outside of the range of 0x20 to 0x7E are ignored.

When using percent (%) to form hexadecimal character codes there must be exactly two hex digits using characters: [0-9, A-F, a-f]. Characters outside of this range cause the command to fail.

## **Appendix B – Bluetooth Configuration Commands and Specifications**

- Commands that fail return the four character sequence NAK<CR>
- Commands that are accepted return the four character sequence ACK<CR>
- Commands that return payload data use the format:

<command character><command type><command payload><CR>  
<command character> is one character from the set: [a-z]  
<command type> is one character for the set: [0-9]  
<command payload> is variable in length.  
<CR> is the command terminator.

The command character is the lower case version of the local host command.

## **Operating Modes**

The module interface has two modes:

- **Bluetooth Link Active State**  
In this case the Serial Interface looks like a raw serial port (Tx/D, Rx/D, CTS, etc. and GND). There is no intelligence in the Bluetooth module from the serial interface perspective. This mode does not support the command and control modes described below.
- **Bluetooth Link Inactive State**  
This mode exists when a Bluetooth link does not exist. In this case, the serial interface looks like a serial port that supports a number of command and control modes.

On reset, the unit comes up in Bluetooth Link Inactive state. After the first Bluetooth connection, the unit goes into Bluetooth Link Active state. It stays in this state until the link is lost because the Master shuts it down or there is an out-of-range condition, it then returns to the Bluetooth Link Inactive state.

## Command and Control Modes

### Query Mode Commands

Command	Function
?<CR>	Read ACK
?F0<CR>	Read friendly name
?L<CR>	Read security mode
?C0<CR>	Read connectable mode
?C1<CR>	Read page scan timing
?D0<CR>	Read discoverable mode
?D1<CR>	Read inquiry scan timing
?S1<CR>	Read class of device
?S2<CR>	Read service name
?S4<CR>	Read PIN code
?T0<CR>	Read shutdown timeout in minutes
?B0<CR>	Read Bluetooth addresses of all the paired devices

### Example Commands

Command	Function
“?<CR>“	”ACK<CR>”
“?F0<CR>”	“f0MyFriendlyName<CR>”
“?L<CR>”	“10<CR>” Turn off Encryption, Authentication, and Exclusion “11<CR>” Authentication “12<CR>” Encryption and Authentication “13<CR>” Encryption, Authentication, and Exclusive
“?C0<CR>”	”c0ON<CR>”
“?C1<CR>”	”c11024,512<CR>”
“?D0<CR>”	”d0ON<CR>”
“?D1<CR>”	”d11024,512<CR>”
“?S1<CR>”	”s1001F00<CR>”
“?S2<CR>”	”s2MyServiceName<CR>”
“?S4<CR>”	”s4MyPinCode<CR>”

**Example Commands (continued)**

Command	Function
“?T0<CR>”	“t0Shutdown Timer = 5 minutes<CR>”
“?B0<CR>”	“b0No Devices PairedCR>”



**Note:** These commands are only available over the serial link, not over the air and are not available when the device is in the Bluetooth Link Active State.

**Set Local Bluetooth Device Name**

<b>Command</b>	F0<Device Friendly Name><CR>
<b>Definition</b>	“Device Name” — String up to 254 bytes long
<b>Default</b>	“6820-DDEEFF” where DDEEFF is from the (AABBCCDDEEFF) Bluetooth device address
<b>Example</b>	“F01Len’s 100%25 serial module<CR>” This sets the name to “Len’s 100% serial module.”

**Set Class of Device/Service Field**

<b>Command</b>	S1< Class of Device/Service field >
<b>Description</b>	The Class of Device/Service (CoD) field is a 24-bit field defined in the Bluetooth Assigned Numbers document. This field is sent in a HEX ASCII format, most significant byte first.
<b>Example</b>	“S1001F00<CR>” is a common Class of Device value for a basic serial device.

**Set Service Name**

<b>Command</b>	S2<Service Name>
<b>Description</b>	Sets the service friendly name to send to the remote Bluetooth device in response to a service discovery request. The length of the service name is limited to 32 bytes.
<b>Definition</b>	Profile Name — text name entered into the SDP record for the serial port profile
<b>Default</b>	“Wireless Printer”

**Example**            “S3Acme Printer<CR>”

## **Connectable On/Off**

**Command**            C0 <ON|OFF><CR>

**Description**        Sets the device into “connectable” mode

**Example**            “C0OFF<CR>” — Become non-connectable  
                         “C0ON<CR>” — Become connectable

## **Specify Page Scan Timing**

**Command**            C1<Page\_Scan\_Interval>,<Page\_Scan\_Window><CR>

**Description**        Sets the Page Scan timing parameters

**Default**             4096,18

**Example**            “C11024,512<CR>”



**Note:** To enable scanning, the values for Interval and Window must be in the range of 18 to 4096. The Window value must be less than the Interval value. Both values must be zero to disable scanning.



**Note:** Modifying Page Scan Timing can improve connection times, but may adversely affect battery performance.

## **Enable Discoverable**

**Command**            D0 <ON|OFF><CR>

**Description**        Sets the device into “discoverable” mode

**Example**            “D0OFF<CR>” — Become non-discoverable  
                         “D0ON<CR>” — Become discoverable



## **Specify Inquiry Scan Timing**

<b>Command</b>	D1<Inquiry_Scan_Interval>,<Inquiry_Scan_Window><CR>
<b>Description</b>	Sets the Inquiry Scan timing parameters
<b>Default</b>	4096,18
<b>Example</b>	“D11024,512<CR>“

## **Set Encryption/Authentication Pin Code**

<b>Command</b>	S4<PIN code>
<b>Description</b>	PIN Code — Pin code can be NULL and as long as 16 characters
<b>Default</b>	“S4%00” NULL PIN code
<b>Example</b>	“S4MyPinCode <CR>”

## **Manage Security Modes**

This command controls the security access mode and device pairing.

The modes available are:

- L0 Disable encryption, authentication and exclusion
- L1 Enable authentication
- L2 Enable encryption and authentication
- L3 Enable encryption, authentication and exclusive

Mode L0 allows any remote device to connect.

Mode L1 require the remote device to be authenticated by a PIN request.

The PIN code for the module is set to a user–specified value with the S4 command. Currently the default PIN is the NULL string.

Mode L2 adds encryption to the Bluetooth link.

Mode L3 adds exclusive connection to one specific Bluetooth device.

In this mode only connection requests from the initial device are allowed. Connections from other devices are rejected even if they supply the correct PIN code.

## Appendix B – Bluetooth Configuration Commands and Specifications

Device pairing and bonding are associated with this command and works as follows:

After an L command is executed the current device pairing and bonding is deleted. The next device to connect becomes paired and bonded to the module.

In Modes L1 and L2, other devices are allowed to connect but only the first device to connect is paired and bonded. Other devices are always required to supply a PIN code to complete the connection.

In Mode L3, only one device is allowed to connect. This device is paired and bonded and needs to supply the PIN code only on the initial connection.



**Note:** Some of the Bluetooth user interfaces cannot supply a NULL string as a PIN code. Use the S4 command to specify a PIN code that is not NULL.

### Read Module Version

<b>Command</b>	V0<CR>
<b>Description</b>	Displays the firmware build version currently running
<b>Example</b>	“V0<CR>“ Returns: “v1yyymmddHHMM<CR>”



**Note:** This command responds with the requested data, only not the “ACK<CR>”.

## **Read Local Device Address**

<b>Command</b>	V1<CR>
<b>Description</b>	Displays the local device address
<b>Returns</b>	“v1%xx%xx%xx%xx%xx%xx<CR>”



**Note:** This command responds with the requested data, only not the “ACK<CR>”.

Example:

Sent: “V1<CR>”  
Received: “v1%00%2C%C6%03%45%39”

## **Set Shutdown Timing**

<b>Command</b>	T0<Time in Minutes><CR>
<b>Description</b>	“Time” – Integer value – 0 implies never expire the timer
<b>Range</b>	0-270 minutes
<b>Default</b>	120
<b>Example</b>	“T0120<CR>” This sets the shutdown timer to 120 minutes.

## **Clear Link Key Table**

<b>Command</b>	B0<CLR><CR>
<b>Description</b>	Clear Pair or Bonding command cleans up all of the link key and Bluetooth address combination PSKEYs.
<b>Default</b>	None
<b>Example</b>	“BOCLR<CR>” This clears all saved link keys.

# Understanding Adapter States or Modes

The Bluetooth adapter connects to an internal serial port of the 6820, providing serial print data over a transparent Bluetooth link, running a Serial Port Profile (SPP).

Printing is primarily accomplished over a Bluetooth link using the SPP protocol with a 700 Series or CK60 Mobile Computer. If the relevant printer configuration allows it, a 700 Series or CK60 in a terminal holder charges normally.

The Bluetooth adapter allows for four states or modes to be available. Each state is dependent upon either the pin states on the terminal holder connector or the programming connector on the adapter described later.

## **Bluetooth Adapter States or Modes**

State	State/mode	HHC_A/B pin	HHC_DTR pin	Comments
1	Bluetooth printing	0	0	Bluetooth printing/Bluetooth self-test
2	Pass-through printing	0	1	Printing from 700 Series or CK60s allowed to pass through the Bluetooth adapter
3	Bluetooth reconfiguration	1	0	Reconfiguring Bluetooth module via 700 Series or CK60s
4	Bluetooth programming cabled	X	X	Programming Bluetooth module via programming cable

- State 1 - In addition to allowing normal Bluetooth printing, this state also allows for a 700 Series or CK60 in the terminal holder to perform a Bluetooth self-test.
- State 2 is a Transparent Pass Through mode available for all 700 Series and CK60s. During this mode, the Bluetooth module is shut down and does not communicate.
- State 3 (Bluetooth reconfiguring using a 700 Color (730, 740, 741, 750, 751, 760, 761) or CK60). This state is unavailable when a 700 Monochrome (705, 710, 720) is used, since the A/B pin is unavailable.
- State 4 allows for programming the Bluetooth module via its SPI pins. This state is also used for manufacturing tests. To be in this

state, the 700 Series or CK60 must not have an open terminal holder COM port and the specially designed programming adapter must be engaged.

The interfaces on the Bluetooth adapter that allow for the different modes are detailed below:

## **700 Series or CK60 to 6820 Pass Through**



**Note:** Pass through printing requires shutting down the Bluetooth portion of the adapter. To reenable Bluetooth functionality after you finish pass through printing, press a button on the control panel to wake the printer.

When DTR on the 700 Series or CK60 is set, the adapter board automatically opens a path between the 700 Series of CK60 and the 6820 Transition/DC Board and powers down the Bluetooth module. Testing the DSR pin to reflect DTR allows the mobile computer to differentiate between a Bluetooth-equipped terminal holder and a non-Bluetooth equipped terminal holder.

## **700 Series, CK60, or CN3 to Bluetooth Module Communication Interface**

The Bluetooth adapter allows a 700 Series, CK60, or CN3 to communicate directly with the Bluetooth module under two circumstances.

- When the configuration settings of the Bluetooth module are to print.
- When the Bluetooth module requires reconfiguration.

## **Radio Power On/Off Mechanism**

The Bluetooth adapter, including the Bluetooth radio shuts down after a configurable time (default is two hours of idle time). To wake the Bluetooth adapter, the 6820 is powered on by any button push on the printer control panel. There are two ways to shutdown the Bluetooth module power:

- a 700 Series, CK60, or CN3 mobile computer initiates a pass through mode

- the Bluetooth module sends a shutdown signal after a configurable amount of time. Default is two hours of idle time



**Note:** The adapter complies with Bluetooth 1.1 specification, including bonding for authentication and enabling encryption.

## Persistent Storage

The following settings do not reset after you cold boot on the printer:

- Bluetooth Bonding Enable/Disable
- Bluetooth Encryption Enable/Disable
- Bluetooth Passkey
- Bluetooth Bonding List (Link Keys)
- Bluetooth Device Name
- Bluetooth Class of Device
- Discoverable setting
- Connectable setting
- Radio Shutdown Timer Timeout (default two hours of idle time)

## System Behavior/Software Considerations

- Discoverability — The default mode is discoverable. When configured to be discoverable, the adapter is discoverable at all times, except when:
  - an active Bluetooth connection exists.
  - you have just completed a “pass-through printing” print job.
  - the shutdown time has elapsed (default shutdown time is two hours).
- Connectability — The default mode is connectable. When configured to be connectable, the printer is connectable at all times, except when:
  - an active Bluetooth connection exists.
  - you have just completed a “pass-through printing” print job.

## **Appendix B – Bluetooth Configuration Commands and Specifications**

- the shutdown time has elapsed (default is two hours).
- **Link Loss** — The 6820 Bluetooth adapter is able to recover from broken Bluetooth connections, including out-of-range, interference, power failure, or other conditions resulting in a broken connection. It returns to its previous Discoverable/Connectable state after a lost connection.
- **Master/Slave** — Printer participates in a Bluetooth connection as the slave device.
- The Class of Device is 0x040680 which translates to a Service Class of Rendering, a Major Device Class of Imaging, and a Minor Device Class of Printer.
- The 6820 Bluetooth includes an SDP record that allows the printer to report an SPP instance with a service name of Wireless Printer.
- The default Bluetooth device name is 6820-DDEEFF, where DDEEFF matches the respective portion of the Bluetooth device address (AA:BB:CC:DD:EE:FF). If the printer the adapter is connecting to is known, the service name is changed to 6820-SN, where SN is replaced with the serial number of the 6820.
- The 6820 Bluetooth adapter can save 16 link keys across cold boots. Link keys are saved in a circular list. The 17th link key replaces the first, the 18th replaces the 2nd, and so on.

## **Remote Configuration**

You can query the following items remotely:

- Discoverable State [Get/Set]
- Connectable State [Get/Set]
- Bondable State [Get/Set] (Authentication)
- Encryption State [Get/Set]
- Device Name [Get/Set]
- Device Address[Get]
- Class of Device[Get/Set]
- Service Name [Get/Set]

- Bluetooth Profile [Get]
- Bluetooth Passkey [Set]
- Radio Shutdown Timeout

## **Bluetooth Performance**

- Range — Operating range is expected to range from a minimum separation of 10 cm to over 10 m with a 700 Color or CK60.
- Link Loss can occur when going in or out of range while communicating with other Bluetooth devices.

## **Diagnostic Capabilities**

The 6820 Bluetooth adapter sends a printout of Bluetooth information to the printer when it receives a message from a 700 Series or CK60 in a terminal holder. An example self-test is shown below:

```
6820 Bluetooth Adapter
Firmware:Version YYYY MMDD HHMM

Bluetooth Configuration:
  Device Address:0002371A0FD3
  Device Name:6820-9843252
  Discoverable:Yes
  Connectable:Yes
  Authentication:No
  Encryption:No
  Passkey:Not Applicable (or Key present if Authentication
is enabled)
  Stored Link Keys:2 of 16

Power Management:
  Shut Off Timer:120 minutes
```

The Passkey entry either states Not Applicable or Key Present depending on the Authentication state.

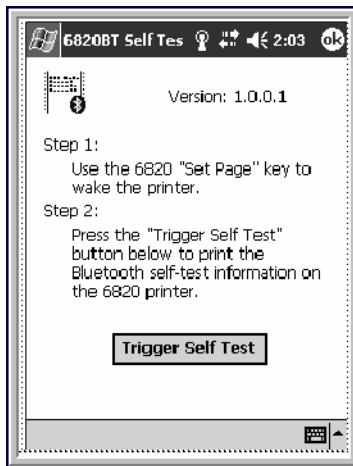
## **Using the Information Application**

A 6820 Bluetooth Information application that prints the Bluetooth self-test information on the 6820 can be installed on your 700 Series or CK60.



**To use the Bluetooth Information application**

- 1** Insert the 700 Series or CK60 in the terminal holder on the 6820.
- 2** Tap the **Start > Programs > the 6820 BT Information** icon on your 700 Series or CK60 computer.
- 3** Press the **Set Page** button on the printer control panel to wake the printer.
- 4** From the 6820 Bluetooth Self-Test screen, tap the **Trigger Self Test** button to print the information.



# System Qualification

## Operation Resilience

Normal operation of the Bluetooth system is available in environments with radio backbones, including 802.11b, Spectrum 24, and OpenAir technologies.

## Specifications

### Temperature

Operating	-20° to 60°C (-4° to 140°F)
Storage	-30° to 70°C (-22° to 158°F)

### Temperature Test Results

Test	Range	Comments
Operating Cold to Hot Transition	-20°C to 50°C (-4°F to 122°F)	External condensation allowed, internal prohibited
Operating Hot to Cold Transition	50°C to -20°C (122°F to -4°F)	Speed shall not degrade
Humidity		5% to 95% RH non-condensing
Operating	90%	25° to 60°C (48° to 140°F) no condensation
Storage	90%	25° to 60°C (48° to 140°F) no condensation

### Altitude

-100 to 5000 meters

### Vibration Test Results

Test	Comments
Quasi-Random 3 axis	12 g RMS, for 4 hours
Dynamic Induced Shock	20 g on 3 axis
Operating	1 G 5 Hz to 80 Hz
Storage	3 G 5 Hz to 80 Hz
When packed	
Frequency	5 to 55 Hz

**Vibration Test Results (continued)**

<b>Test</b>	<b>Comments</b>
Acceleration	2 G
Sweep	10 minutes (half cycle)
Duration	1 hour
Directions	x, y, and z

No external or internal damage should be found after the vibration test, and the unit should operate normally.

**Unpackaged Drop**

2 feet to concrete

**Terminal Insertions**

Minimum of 30,000 insertions for the terminal holder.

# Default Bluetooth Configuration Settings

## *Default Bluetooth Configuration Settings*

<b>Setting</b>	<b>Default</b>
Bluetooth Authentication	Off
Discoverable	True
Connectable	True
Class of Device	0x040680
Service Name	Wireless printer
Device Name	6820-DDEEFF
Baud Rate	19,200
Data Bits	8
Stop Bits	1
Parity	None
Handshaking	Hardware
Radio Shutdown Timeout	120 minutes

# C

## Cross-Reference Tables

A set of cross-reference tables are provided to assist you in locating control codes and escape sequences. The default settings are also included.

## Single Character Control Codes

This table contains control codes between 00h and 7Fh, and provides definitions for the ASCII symbols as used in the table on the next page and in format definitions in [Chapter 4 “Control Code Definitions”](#).

### Single Character Control Code Definitions

Dec	Hex	ASCII	Description
0	00	NUL	Used as a terminator for several escape sequences
1	01	SOH	
2	02	STX	
3	03	ETX	
4	04	EOT	
5	05	ENQ	
6	06	ACK	
7	07	BEL	Beeper: sounds buzzer for 1/10 of a second
8	08	BS	Backspace: moves printhead one space to left
9	09	HT	Horizontal Tab: moves printhead to next tab stop
10	0A	LF	Line Feed: moves paper to next line
11	0B	VT	Vertical Tab: moves paper to next vertical tab stop
12	0C	FF	Form Feed: advances paper to top of next page
13	0D	CR	Carriage Return: moves printhead to left margin
14	0E	SO	Shift Out: selects double-wide mode (one-line-only)
15	0F	SI	Shift In: selects condensed (compressed) mode
16	10	DLE	
17	11	DC1	Device Control 1: sets printer online (not currently used)
18	12	DC2	Device Control 2: cancels condensed mode (compressed)
19	13	DC3	Device Control 3: sets printer offline (not currently used)
20	14	DC4	Device Control 4: cancels double-wide mode (one line only)
21	15	NAK	
22	16	SYN	
23	17	ETB	
24	18	CAN	Cancel Line: clears all characters out of print buffer
25	19	EM	
26	1A	SUB	

**Single Character Control Code Definitions (continued)**

Dec	Hex	ASCII	Description
27	1B	ESC	Escape: defines start of escape sequence
28	1C	FS	
29	1D	GS	
30	1E	RS	
31	1F	US	
32	20	SP	Space character
127	7F	DEL	Delete: deletes last character in print buffer

## Escape Sequence Quick Reference

The following table is a quick reference between the escape sequences listed in ascending order, according to numeric values. For detailed definitions, see [Chapter 4 “Control Code Definitions”](#).

### Escape Sequence Cross Reference

Decimal	Description
ESC SO	Select double-wide (expanded) mode (one line only)
ESC SI	Select condensed mode (compressed)
ESC US (0)	Select top-down printing
ESC US (1)	Select bottom-up printing
ESC SP n	Define inter-character space
ESC “!” n	Master select
ESC “\$” n1 n2	Set print position (absolute)
ESC “%” (0)	Select default character set
ESC “%” (1)	Select user-defined character set
ESC “&” NUL k1 k2 s1 d1...d11	Define user-defined characters
ESC “*” m n1 n2	Select graphics mode
ESC “+” n d1...dn	Print character graphics
ESC “-” 0*	Cancel underline mode
ESC “-” 1*	Select underline mode
ESC “/” c	Select vertical tab channel
ESC “0”	Select 1/8 inch line spacing
ESC “1”	Select 7/72 inch line spacing
ESC “2”	Select 1/6 inch line spacing
ESC “3” n	Select n/216 inch line spacing
ESC “4”	Select italic mode
ESC “5”	Cancel italic mode
ESC “6”	Enable printing of codes 128-255
ESC “7”	Disable printing of codes 128-255
ESC “<”	Select unidirectional printing (one line only)
ESC “:” NUL NUL NUL	Copy ROM to RAM
ESC “?” s n	Reassign graphics mode



**Escape Sequence Cross Reference (continued)**

<b>Decimal</b>	<b>Description</b>
ESC “@”	Perform master reset
ESC “A” n	Select n/72 inch line spacing
ESC “B” NUL	Clear vertical tabs
ESC “B” n1 n2 ... nk NUL	Set vertical tabs
ESC “C” n	Set page length (lines)
ESC “C” NUL n	Set page length (inches)
ESC “D” NUL	Clear horizontal tabs
ESC “D” n1 n2 ... nk NUL	Set horizontal tabs
ESC “E”	Select emphasized mode
ESC “F”	Cancel emphasized mode
ESC “G”	Select double-strike mode
ESC “H”	Cancel double-strike mode
ESC “I” n	Expand printable code area
ESC “J” n	Perform n/216 inch line feed
ESC “K” n1 n2	Select single-density graphics mode
ESC “L” n1 n2	Select low-speed double-density graphics mode
ESC “M”	Select elite pitch
ESC “N” n	Set skip over perforation
ESC “O”	Cancel skip over perforation
ESC “P”	Select pica pitch
ESC “Q” n	Set right margin
ESC “R” n0 n1 n2	Code page selection
ESC “R” n	Select national character set
ESC “S” 0*	Select superscript mode
ESC “S” 1*	Select subscript mode
ESC “T”	Cancel superscript/subscript mode
ESC “U” 0*	Cancel unidirectional printing
ESC “U” 1*	Select unidirectional printing
ESC “W” 0*	Cancel double-wide (expanded) mode
ESC “W” 1*	Select double-wide (expanded) mode
ESC “Y” n1 n2	Select high-speed double-density graphics mode
ESC “Z” n1 n2	Select low-speed quadruple-density graphics mode

**Escape Sequence Cross Reference (continued)**

<b>Decimal</b>	<b>Description</b>
ESC “^” (0) n1 n2	Select 9-pin single density graphics mode
ESC “^” (1) n1 n2	Select 9-pin double density graphics mode
ESC “b” c NUL	Clear vertical tab channel
ESC “b” c n1 n2 ... nk NUL	Set vertical tabs in channel
ESC “j” n	Perform n/216 inch reverse line feed
ESC “l” n	Set left margin
ESC “s” 0*	Cancel half-speed printing
ESC “s” 1*	Select half-speed printing
ESC “t” (0)	Disable printing of character graphics
ESC “t” (1)	Enable printing of character graphics
ESC “z” n	Set inactivity time for sleep mode
ESC “\” n1 n2	Set print position (relative)

# Factory-Installed Printer Defaults

## *Factory Installed Printer Defaults*

<b>Function</b>	<b>Default Value</b>
Carriage position	At left margin
Character set	Normal (not user defined)
Code page	0
Codes 128-255	Disabled
Condensed (compressed)	Disabled
Double-Strike	Disabled
Double-Wide	Disabled
Emphasized	Disabled
Graphics mode	Not selected
Half-Speed printing	Disabled
Intercharacter space	Zero (0)
International character sets	Disabled
Italic	Disabled
Justification	Left justification
Keyboard, printer	Enabled
Language	USA
Line Spacing	1/6 inch
Margin, left	0
Margin, right	80
MSB control	Disabled
NLQ	Disabled
Page length	11 inch (66 lines with Pica pitch)
Paper end sensor	Enabled
Pitch	Pica (10 characters per inch)
Power off sleep timer	10 seconds
Printer Code Area Expansion	Disabled
Printing direction	Top-down, bidirectional
Redefinition of graphic modes	Disabled
Skip over perforation	Disabled

**Factory Installed Printer Defaults**

<b>Function</b>	<b>Default Value</b>
Subscript/Superscript	Disabled
Tabs, horizontal	Set to default tabs (every 8 column)
Tabs, vertical	1 line feed each tab, channel = 0
Top of form	Set to current line
Underline	Disabled
Unidirectional printing	Disabled (bidirectional)
User defined character set	Removed

The settings in the previous table are installed in the printer at the factory. To restore the printer to these defaults, see **“Using the Reset Button” on page 5** for instructions.

The default settings listed below can be restored to the printer, as described in **“Using the Printer Configuration Utility” on page 21**.

**Printer Default Settings**

<b>Function</b>	<b>Default Value</b>
Zero Print option	Zeros are printed with a slash
Auto Feed configuration	CR (carriage return added at end of line without line feed)
Protocol	NPCP (NORAND Portable Communications Protocol)
Parity	N/A (for NPCP)
Bit Rate	19.2 K

# D

## Printer Font Test Jobs

This appendix contains a sample print job for each font available on your 6820 printer.

## About the Printer Font Jobs

You can perform these tests yourselves. Load the font of choice from the Toolkit CD into flash memory. After downloading the desired font, use any of the sample print jobs to reveal the character locations within the printer memory. The sample test print jobs are formatted as a memory mapped and can be referenced to select a specific character.

You do not need more than one font module loaded. Any one of: nft00932.mod, nft00936.mod, nft00949.mod, or even nft00950.mod Asian fonts can be used. These are distributed on the 6820 toolkit CD (including the source code).

These print jobs are in this appendix:

- “BIG5.C” which creates “BIG5950.TXT”
- “CHINA.C” which creates “GB2312.TXT”
- “IBM437.C” which creates “IBM437.TXT”
- “JAPAN.C” which creates “JIS932.TXT”
- “KOREA.C” which creates “KOREA.TXT”
- “NATION.C” which creates “NATION.TXT”

## Big 5 Traditional Chinese Character Set

This program generates a text file, big5950.txt, to copy to a 6820. The text file illustrates the use of the BIG 5 traditional Chinese character set. Install the BIG 5 character font (nft00950.mod) using the Printer Configuration Utility.

### To have big5950.txt print correctly

- 1 Use the Microsoft C version 7.00 compiler.  

```
cl big5.c /link slibce graphics
```
- 2 Run big5.exe to create big5950.txt.
- 3 Copy this text file to the appropriate printer port.

## Simplified Chinese Character Set

This program generates a text file, gb2312.txt, that to copy to a 6820. The text file illustrates the use of the Simplified Chinese character set. Install the Simplified Chinese character font (nft00936.mod) using the Printer Configuration Utility.

### To have gb2312.txt print correctly

- 1 Use the Microsoft C version 7.00 compiler.  
`cl china.c /link slibce graphics`
- 2 Run china.exe to create gb2312.txt.
- 3 Copy this text file to the appropriate printer port.

## IBM 437 Code Page Character Set

This program generates a text file, ibm437.txt, to copy to a 6820. The text file illustrates the use of the IBM 437 code page character set. Install the IBM 437 character font (nft00437.mod) using the Printer Configuration Utility.

### To have ibm437.txt print correctly

- 1 Use the Microsoft C version 7.00 compiler.  
`cl ibm437.c /link slibce graphics`
- 2 Run ibm437.exe to create ibm437.txt.
- 3 Copy this text file to the appropriate printer port.

## Japanese (JIS) Character Set

This program generates a text file, jis932.txt, to copy to a 6820. The text file illustrates the use of the JIS character set. Install the JIS character font (nft00932.mod) using the Printer Configuration Utility.

### To have jis932.txt print correctly

- 1 Use the Microsoft C version 7.00 compiler.  
`cl japan.c /link slibce graphics`
- 2 Run japan.exe to create jis932.txt.

- 3 Copy this text file to the appropriate printer port.

## **Korean Character Set**

This program generates a text file, korea.txt, to copy to a 6820. The text file illustrates the use of the KSC5601 character set. Install the KSC5601 character font (nft00949.mod) using the Printer Configuration Utility.

### **To have korea.txt print correctly**

- 1 Use the Microsoft C version 7.00 compiler.

```
cl korea.c /link slibce graphics
```

- 2 Run korea.exe to create korea.txt.
- 3 Copy this text file to the appropriate printer port.

## **International Character Set**

This program generates a text file, nation.txt, to copy to a 6820. The text file illustrates the international character sets available for use in the default character set. Install the default character set font (nft00000.mod) using the Printer Configuration Utility.

### **To have nation.txt print correctly**

- 1 Use the Microsoft C version 7.00 compiler.

```
cl nation.c /link slibce graphics
```

- 2 Run nation.exe to create nation.txt.
- 3 Copy this text file to the appropriate printer port.



# Index

## **Numerics**

- 25-pin communication connector pinout designations 103
- 6822
  - fixed mount printer, described 2
  - portable printer, described 2
- 700 series computer
  - inserting in terminal holder 17

## **A**

- ActiveSync
  - disabling 25, 34
  - enable 34
  - enabling 25

## **B**

- backspace control code 37
- beeper control code 37
- Big 5 traditional Chinese character set 61
- Bluetooth
  - specifications 134
- Bluetooth adapter
  - 700 series or CK60 to 6822 pass through 129
  - 700 series, CK60, or CN3 to Bluetooth module communication
    - interface 129
  - class of device 131
  - connectability 130
  - connecting 34
  - default device name 131
  - discoverability 130
  - enable ActiveSync 34

## Index

- Information Application, using 132
- link keys 131
- link loss 131, 132
- master/slave 131
- performance range 132
- power on/off mechanism 129
- query items 131
- range 132
- SDP record 131
- states or modes 128
- troubleshooting 132
- Bluetooth configuration commands
  - connectable on/off 124
  - enable discoverable 124
  - encryption/authentication pin code, set 125
  - inquiry scan timing, specify 125
  - link key table, clear 127
  - local device address, read 127
  - manage security modes 125
  - module version, read 126
  - operating modes 121
  - page scan timing, specify 124
  - query mode commands 122
  - set class of device/service field 123
  - set local Bluetooth device name 123
  - set service name 123
  - shutdown timing, set 127
  - using 120
- bottom-up printing control code, select 42
- buffer
  - I/O 36
  - print image 36
- buttons
  - Form Feed 4
  - Line Feed 4
  - Set Page 4
  - using 4
- C**
- cables
  - 15-pin to 25-pin 98
  - 25-pin to 15-pin 101
  - 25-pin to 25-pin 99
  - 9-pin to 15-pin 100
  - data communications 102
- cancel line control code 38
- carriage return control code 38
- case
  - cleaning guidelines 103
  - cleaning inside 104
  - cleaning outside 104
- character sets
  - Chinese 61
  - Chinese, Big 5 61
  - double-byte, defined 61
  - Greek 64
  - Hebrew 62
  - international 62
  - Japanese 61
  - Korean 61
  - multi-byte, defined 61
  - national character set, select 62
  - single-byte, defined 61
- character style and test mode functions
  - condensed character mode, select 48
- character style and text mode functions
  - condensed character mode, cancel 48
  - double-strike mode, cancel 49
  - double-strike mode, select 49
  - double-wide print, cancel 51
  - elite pitch, select 51
  - emphasized print mode, cancel 52
  - emphasized print mode, select 52
  - intercharacter space, define 52
  - italic mode, cancel 53
  - italic mode, select 53
  - pica pitch, select 55
  - subscript mode, select 55
  - subscript/superscript mode, cancel 56
  - superscript mode, select 55
  - underline mode, cancel 56
  - underline mode, select 56
- cleaning
  - printer ribbon 105
- Code page file
  - NFT00932.MOD, 932 file 61
  - NFT00936.MOD, 936 file 61
  - NFT00949.MOD, 949 file 61
  - NFT00950.MOD, 950 file 61
- COM ports, using 27
- commands
  - manage security modes 125
  - query mode 122
  - security mode 125

- communications, testing 79
- configuration, working
  - Windows 2000/XP 25
- configuring
  - ActiveSync
    - enabling 34
  - ActiveSync, enabling 25
  - error messages 33
- control codes
  - 1/6-inch line spacing, select 45
  - 1/8 inch line spacing, select 45
  - 7/72-inch line spacing, select 45
  - 9-pin double density graphics mode, select 75
  - 9-pin single density graphics mode, select 75
  - backspace 37
  - beeper 37
  - bottom-up printing, select 42
  - cancel line 38
  - carriage return 38
  - condensed character mode, cancel 48
  - condensed character mode, select 48
  - copy ROM to RAM 65
  - default character set, select 67
  - delete 38
  - double-strike mode, cancel 49
  - double-strike mode, select 49
  - double-wide mode, select 50
  - double-wide print, cancel 50, 51
  - double-wide print, select 51
  - elite pitch, select 51
  - emphasized print mode, cancel 52
  - emphasized print mode, select 52
  - form feed 39
  - graphics mode, reassign 72
  - graphics mode, select 72
  - half-speed printing, cancel 39
  - half-speed printing, select 39
  - high-speed double density graphics mode, select 73
  - horizontal tab, perform 57
  - horizontal tab, set 58
  - horizontal tabs, clear 58
  - inactivity time for sleep mode, set 40
  - intercharacter space, define 52
  - italic mode, cancel 53
  - italic mode, select 53
  - left margin, set 46
  - line feed, perform 40
  - low-speed double density graphics mode, select 73
  - low-speed quadruple density graphics mode, select 74
  - master reset, perform 41
  - n/216-inch line feed, perform 40
  - n/216-inch line spacing, select 45
  - n/216-inch reverse line feed, perform 41
  - n/72-inch line spacing, select 46
  - page length (inches), set 44
  - page length (lines), set 44
  - pica pitch, select 55
  - print image buffer 36
  - print position (absolute), set 41
  - print position (relative), set 42
  - printable code area, expand 68
  - printing of character graphics, disable 70
  - printing of character graphics, enable 69, 70
  - printing of codes 128-159, disable 68
  - printing of codes 128-159, enable 67
  - right margin, set 46
  - single density graphics mode, select 73
  - skip over perforation, cancel 47
  - skip over perforation, set 47
  - special notations 36
  - subscript mode, select 55
  - subscript/superscript mode, cancel 56
  - superscript mode, select 55
  - top-down printing, select 42
  - underline mode, cancel 56
  - underline mode, select 56
  - unidirectional (one line) printing 43
  - unidirectional (one line) printing, select 43
  - unidirectional printing
    - select 43
  - unidirectional printing, cancel 43
  - user defined character set, select 66
  - vertical tab channel, select 60
  - vertical tab, perform 58
  - vertical tab, set 59
  - vertical tabs in channel, clear 60
  - vertical tabs in channel, set 59
  - vertical tabs, clear 59
- control panel
  - buttons 4

## **Index**

status indicators 3  
control program, updating 30

### **D**

DC power source, connecting to  
delete control code  
dimensions, printer  
    fixed mount  
    portable  
double-byte character sets, defined

### **E**

electrostatic discharge, warning  
Enables  
errors  
    connecting to PC  
    diagnostic information  
    EEPROM configuration block  
    error log  
    fatal  
    flash write  
    head jam  
    power-on-self-test (POST)  
    problems and solutions  
    runtime  
    troubleshooting tips  
escape sequences, special notations

### **F**

fixed mount printer, described  
font modules, Intermec provided  
font test jobs  
    about  
    Big 5 Traditional Chinese character set  
    IBM 437 Code Page character set  
    International character set  
    Japanese (JIS) character set  
    Korean character set  
    Simplified Chinese character set  
fonts  
    currently installed  
    Hebrew  
    IBM 437 Code Page  
    International  
    Japanese  
    Korean  
    select font files  
    Simplified Chinese

Traditional Chinese  
    updating  
Form Feed button  
form feed control code

### **G**

GB 2312  
    Chinese character set  
graphics functions  
    9-pin double density graphics mode, select  
  
    9-pin single density graphics mode, select  
    graphics mode, reassign  
    graphics mode, select  
    high-speed double density graphics mode,  
        select  
    low-speed double density graphics mode,  
        select  
    low-speed quadruple density graphics mode,  
        select  
    select density graphics mode, select

### **H**

half-speed printing control code  
    cancel  
    start  
head jam  
    fixing  
    indicator  
    status indicator  
Hebrew character sets  
horizontal tabs  
    perform horizontal tab

### **I**

I/O buffer  
inactivity time control code, set  
indicator  
    head jam  
    low battery  
    paper out  
    power  
interface cable, serial  
internal battery  
    described  
    illustrated  
    installing  
International character set

- J**  
Japanese character set (Shift JIS)
- K**  
Korean character set (KSC 5601)  
KSC
- L**  
Line Feed button  
    setting paper for printing  
line feed control code, perform  
line spacing  
    1/6-inch control code, select  
    1/8 inch control code, select  
    7/72-inch control code, select  
    left margin, set  
    n/216-inch control code, select  
    n/72-inch control code, select  
    set right margin, set  
    skip over perforation, cancel  
    skip over perforation, set  
Link loss  
    Bluetooth adapter ,  
low battery, status indicator
- M**  
maintenance  
    cleaning mask spring  
    cleaning the case  
    removing ribbon cartridge  
mask spring, cleaning  
master reset control code, perform  
media specifications, caliper background  
moving parts in mechanism, visible  
multi-byte character sets, defined
- N**  
n/216-inch line feed control code, perform  
n/216-inch reverse line feed control code,  
    perform  
national character set, selecting  
nft00932.mod  
    code page 932  
nft00936.mod  
    code page 936  
nft00949.mod  
    code page 949  
nft00950.mod  
    code page 950
- O**  
openObjectId 6822um\_apxA.fm  
    2 1031444 ix  
    2 1050580 ix  
    2 1058858 ix  
    2 1059273 ix  
    2 1063299 ix  
    2 1063323 ix  
    2 1063525 ix  
    2 1063533 ix  
    2 1063873 ix  
    2 1064790 ix  
openObjectId 6822um\_apxB.fm  
    2 1031444 ix  
    2 1050580 ix  
    2 1058800 ix  
    2 1058827 ix  
    2 1058992 ix  
    2 1059014 ix  
    2 1059031 ix  
    2 1059062 ix  
    2 1059119 x  
    2 1059159 x  
    2 1059178 x  
    2 1059202 x  
    2 1059220 x  
    2 1059221 x  
    2 1059296 x  
    2 1059298 x  
    2 1059316 x  
    2 1059325 x  
    2 1059336 x  
    2 1059363 x  
    2 1059378 x  
    2 1059385 x  
    2 1059393 x  
    2 1059407 x  
    2 1063072 x  
    2 1063425 ix  
    2 1063443 ix  
    2 1063461 ix  
    2 1063990 ix  
    2 1065832 ix  
    2 1066543 x  
    2 1067141 x

## Index

openObjectId 6822um_apxc.fm	2 1059143 vi
2 1031444 x	2 1059155 vi
2 1050580 x	2 1059171 vi
2 1059304 x	2 1059289 vi
2 1087023 x	2 1059305 vi
2 1090237 x	2 1062289 vi
openObjectId 6822um_apxd.fm	2 1064718 vi
2 1031444 x	2 1067397 vi
2 1050580 x	openObjectId 6822um04.fm
2 1058899 x	2 1031444 vi
2 1058909 x	2 1050580 vi
2 1058916 x	2 1058802 vi
2 1058923 xi	2 1058812 vi
2 1058937 xi	2 1058853 vi
2 1058944 xi	2 1059298 vii
2 1059637 xi	2 1059545 vii
openObjectId 6822um01.fm	2 1060235 vii
2 1058801 v	2 1060279 vii
2 1058835 v	2 1060351 vii
2 1058846 v	2 1060394 vii
2 1059397 v	2 1060437 vii
2 1059399 v	2 1060439 viii
2 1059408 v	2 1060441 viii
2 1059419 v	2 1060527 viii
2 1059422 v	2 1061290 viii
2 1059424 v	2 1061297 viii
2 1059949 v	2 1061358 viii
2 1061487 v	2 1061685 viii
2 1061488 v	2 1061741 viii
openObjectId 6822um02.fm	2 1061746 viii
2 1031444 v	2 1061930 viii
2 1050580 v	2 1061960 viii
2 1058807 v	2 1061982 viii
2 1058827 v	2 1074602 vi
2 1058890 v	2 1076951 vi
2 1058915 v	2 1077683 vi
2 1059951 v	2 1077890 vi
2 1060225 vi	2 1078017 vi
2 1060454 v	2 1078323 vi
2 1060680 v	2 1078656 vi
openObjectId 6822um03.fm	2 1078853 vi
2 1031444 vi	2 1078996 vi
2 1050580 vi	2 1079426 vi
2 1058804 vi	2 1079740 vi
2 1058821 vi	2 1080045 vi
2 1059115 vi	2 1080334 vii
2 1059117 vi	2 1080780 vii

2 1081117	vii
2 1081426	vii
2 1081677	vii
2 1082468	vii
2 1082746	vii
2 1083020	vii
2 1083284	vii
2 1083355	vii
2 1083411	vii
2 1083620	vii
2 1083841	vii
2 1084083	vii
2 1084671	vii
2 1085013	vii
2 1085441	vii
2 1085800	vii
2 1086219	vii
2 1086736	vii
2 1087188	vii
2 1087796	vii
2 1087997	vii
2 1088311	vii
2 1088449	vii
2 1088633	vii
2 1089424	vii
2 1089997	vii
2 1090238	vii
2 1090382	vii
2 1090451	vii
2 1090511	vii
2 1090574	vii
2 1090709	vii
2 1090857	vii
2 1091077	vii
2 1091356	vii
2 1091615	viii
2 1092421	viii
2 1095629	viii
2 1095989	viii
2 1096206	viii
2 1096448	viii
2 1096691	viii
2 1097820	viii
2 1098032	viii
2 1098516	viii
2 1098574	viii
2 1099467	vii
2 1099668	vii
2 1100575	vii
2 1101143	viii
2 1101182	vi
2 1102451	vi
2 1102473	vi
2 1102526	vi
2 1102595	vi
2 1105151	viii
2 1108423	vi
2 1108427	vi
2 1108665	vi
2 1109486	viii
openObjectId 6822um05.fm	
2 1031444	viii
2 1050580	viii
2 1058801	viii
2 1058802	viii
2 1058812	viii
2 1058864	viii
2 1058866	viii
2 1059236	viii
2 1059247	viii
2 1059264	viii
2 1059275	ix
2 1059460	ix
2 1063288	viii
2 1065264	ix
2 1072143	ix
2 1072152	ix
2 1072160	ix
2 1072319	viii
2 1072437	ix
2 1073664	viii
2 1073840	viii
2 1074348	ix
2 1074350	viii
2 1074501	ix
2 1075954	ix
2 1078229	ix
openObjectId 6822umIX.fm	
2 1031444	xi
2 1164854	xi
openObjectId 6822umTOC.fm	
2 501048	v
2 501050	v
2 501073	v

## **Index**

- 2 501074 v
- 2 501081 v
- 2 501136 v
- 2 501141 v
- 2 501144 v
- 2 501151 v
- 2 505196 v
- openObjectId BeforeYouBegin.fm
  - 2 1009245 v
- out of paper, status indicator
- P**
- page layout, printable area of page
- page length (inches) control code, set
- page length (lines) control code, set
- paper
  - feeding procedure
  - paper out indicator
  - positioning
  - positioning procedure
  - tray, loading
- paper positioning, illustrated
- pinfeed holders
  - adjusting
  - adjusting, illustrated
- portable printer
- power indicator
- power supply options
  - DC power
  - internal battery
  - vehicle power supply
- Power-On-Self-Test (POST)
  - error codes
  - performing
- print mechanism
  - aligning
  - alignment procedure
- print position (absolute) control code, set
- print position (relative) control code, set
- printer
  - 25-pin connector
  - cleaning case
  - communicating
  - connecting interface cable
  - connection problems
  - control codes, single character
  - dimensions
  - escape sequences
  - factory-installed defaults
  - font test jobs
  - illustrated
  - loading paper
  - locked up
  - mask spring, cleaning
  - media specifications
  - models
  - operating guidelines
  - positioning procedure
  - power supply options
  - printable area of page
  - reset button
  - ribbon, cleaning
  - runtime errors
  - settings, view
  - specifications
  - testing
  - understanding errors
- Printer Configuration Utility
  - 6820 Tool Kit
    - ActiveSync, disabling
    - communicating with printer
    - disabling ActiveSync
    - errors, connection
    - installed fonts
    - installing
    - operating
    - printer settings, changing
    - select font files
    - serial interface cable
    - setting up your PC
    - start
    - update fonts or control program
    - update fonts or printer control program
    - using
    - view printer settings
- printer descriptions
  - fixed mount
  - portable
- printer mechanism alignment
- printer problems
- printer settings, default
- printhead
  - adjusting gap
  - gap



- printer alignment
- printing modes

## Q

- Query items
  - Bluetooth adapter
- Query mode commands

## R

- report, self-test
- Reset button
  - location
  - using

- ribbon cartridge
  - illustrated
  - installing

## S

- security modes, managing
- self-test
  - error log
  - failure
  - function descriptions
  - head jam history
  - performing
  - report, explained
  - sample report
- service
  - repair locations Xiii
- Set Page button
  - setting paper for printing
- Shift JIS, Japanese character set
- single-byte character sets, defined
- specifications
  - altitude
  - battery
  - electrical
  - ESD
  - humidity
  - print speed
  - temperature
  - vibration
  - weight
- status indicators
  - head jam
  - low battery
  - paper out
  - power

- understanding
- support
  - Knowledge Central xiii
  - web xiii

## T

- tab and setting functions
  - horizontal tab, perform
  - horizontal tab, set
  - horizontal tabs, clear
  - vertical tab channel, select
  - vertical tab, perform
  - vertical tabs in channel, clear
  - vertical tabs in channel, set
  - vertical tabs, clear
  - vertical tabs, set
- terminal holder,inserting computer
- top-down printing control code, select
- Traditional, Big 5, Chinese character set
- troubleshooting
  - basics
  - checking power source
  - diagnostic information
  - EEPROM configuration block errors
  - fatal errors
  - flash write errors
  - head jams
  - performing a self test
  - POST error codes
  - printer failure indicators
  - printer problems
  - printer self-test
  - runtime errors
  - testing communications
  - testing the printer

## U

- unidirectional printing
  - cancel
  - select
- user defined characters
  - copy ROM to RAM
  - default character set, select
  - explained
  - printable code area, expand
  - printing of character graphics, disable
  - printing of character graphics, enable

printing of codes 128-159, disable  
printing of codes 128-159, enable  
user- defined character set, select

**V**

vehicle power supply, connecting to

**W**

Wall mount printer

warranty information xiii



Worldwide Headquarters  
6001 36th Avenue West  
Everett, Washington 98203  
U.S.A.

tel 425.348.2600

fax 425.355.9551

[www.intermec.com](http://www.intermec.com)

© 2009 Intermec Technologies  
Corporation. All rights reserved.

6820 Series 80-Column Printer User's Guide



P/N 935-013-002