



44487031

# PS904



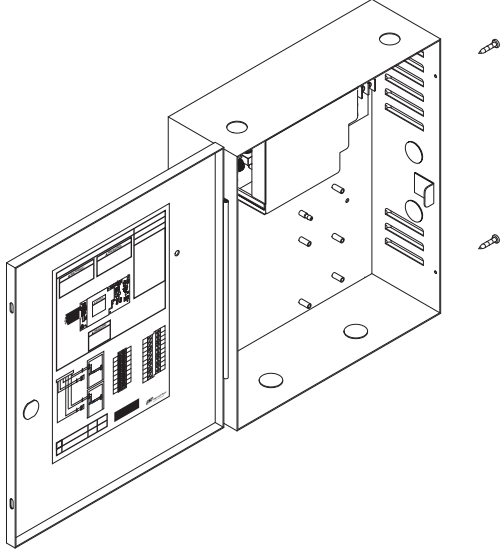
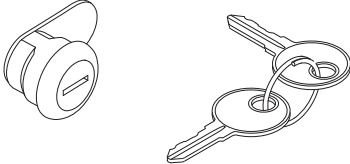
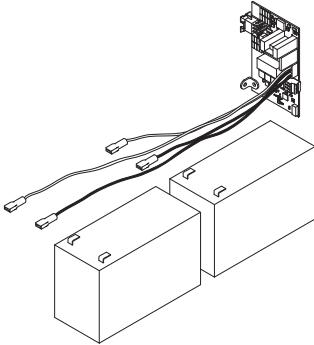
Power Supply

Installation Instructions

**⚠ DANGER ⚠**

**To avoid risk of electric shock, turn off AC power before installing or servicing PS904 power supply**

These instructions cover the following parts:

 <p>PS904 Power Supply - Pages 1-3</p>	 <p>900-KL Keylock (optional) - Page 2</p>
	 <p>900-BB Battery Backup (optional) - Page 3</p>

## PS904 Power Supply Specifications:

Input	120/240 VAC, 1.7 A, 50/60Hz, High Voltage Class 1 Wiring Required	
Output	4 Amp DC @ 12/24 VDC	
Enclosure	14" H x 12" W x 4" D (8 knockouts, 1/2" or 3/4" )	
Temperature Range	32°-120° F (0°- 49° C)	
Fuse	F1, T4A 250 VAC	<b>⚠ CAUTION ⚠</b> <b>For protection against risk of fire, replace fuse with same type and rating</b>
Compliance	UL 294, ULC-S318, RoHS, & FCC Part 15, Class 2 Output	
Compatible Boards (Optional, 2 boards maximum)	900-2RS 900-4R 900-4RL 900-8F 900-8P	INST. INSTRUCTIONS - 24125007 INST. INSTRUCTIONS - 44487106 INST. INSTRUCTIONS - 44487080 INST. INSTRUCTIONS - 44487106 INST. INSTRUCTIONS - 44487106
Fire Alarm Input Board (Optional)	900-FA (Requires one option board above)	INST. INSTRUCTIONS - 44487072
Battery Backup Board (Optional)	900-BB	INST. INSTRUCTIONS - 44487064

## Mounting Notes

The PS904 must be installed in accordance with the article 760 of the National Electrical Code or NFPA 72, Canadian Electrical Code, or any other applicable codes.

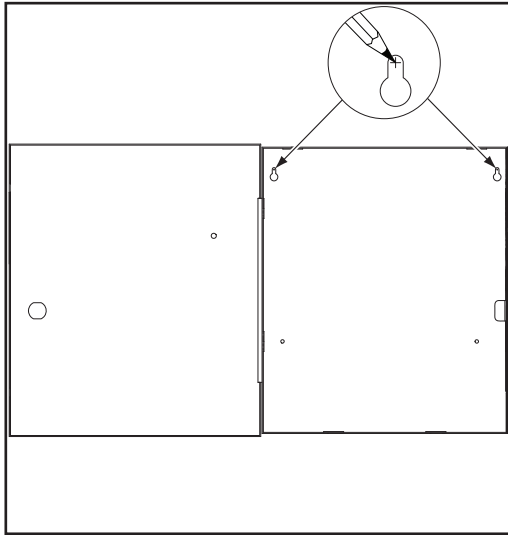
Install the PS904 indoors within the protected premises.

Check national and local codes for additional installation requirements.

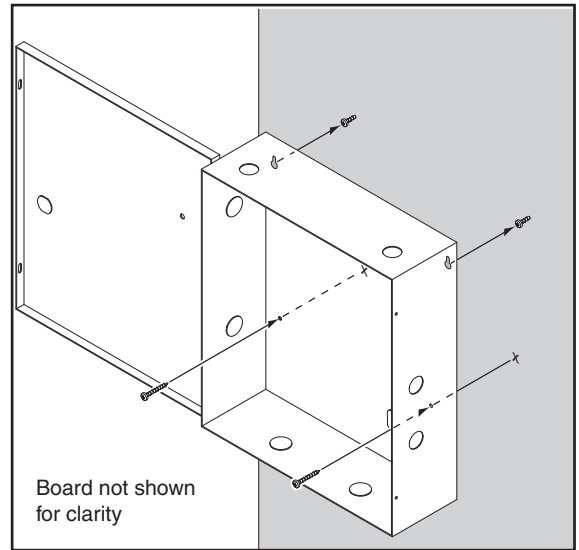
Enclosure must be firmly mounted to a solid surface using hardware suitable for the surface.

### 1 Mount Power Supply

#### 1a Mark 2 Top Holes



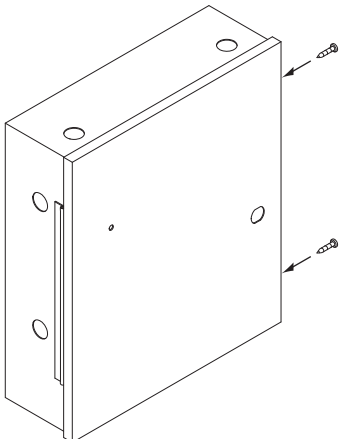
#### 1b Secure Enclosure with 4 Screws



### 2 Secure enclosure door

#### If No Keylock

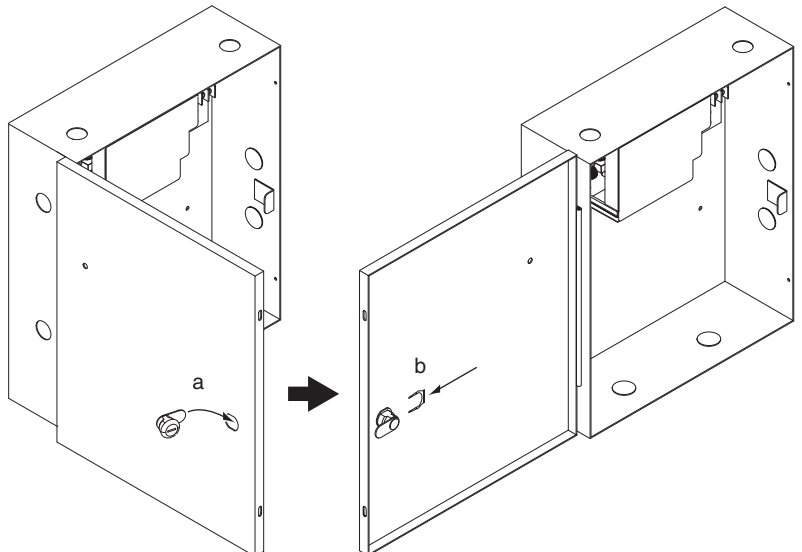
Enclosure will be secured with 2 screws as shown (done as last step)



OR

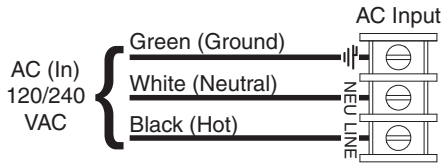
#### If Keylock

Remove knockout and insert key cylinder, then slide in clip



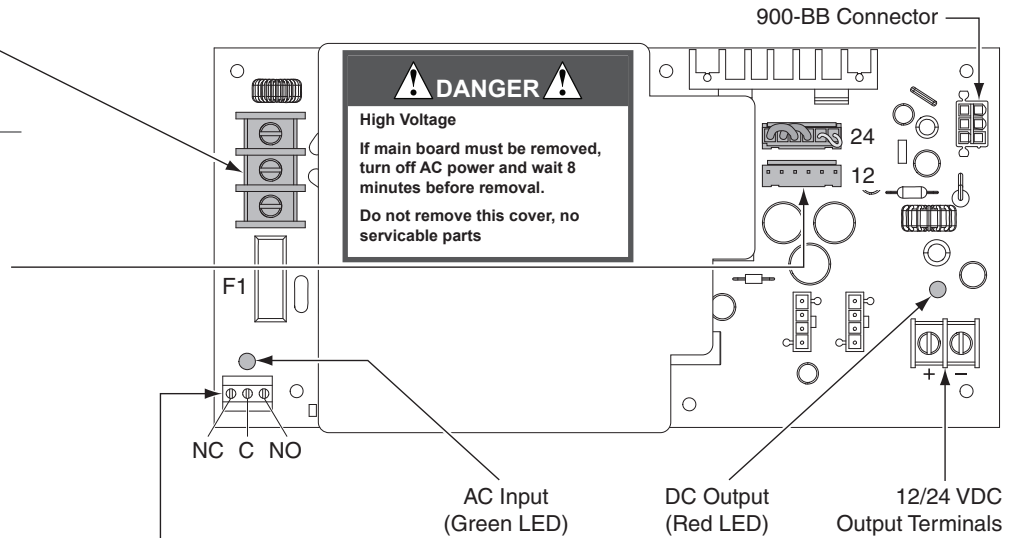
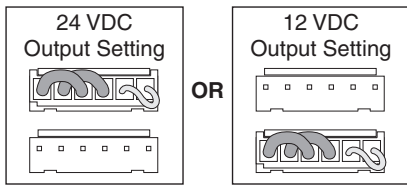
### 3 PS904 setup and testing

#### 3a Connect AC Wiring



**⚠ DANGER ⚠**  
Ensure AC breaker is turned off

#### 3b Use Jumper to Select 24 VDC or 12 VDC Output



Note: Minimum of 1/4" separation between AC and DC wiring as well as power limited and non-power limited.

AC Monitor  
Active when AC present  
and F1 fuse not open  
(Form C dry contacts)

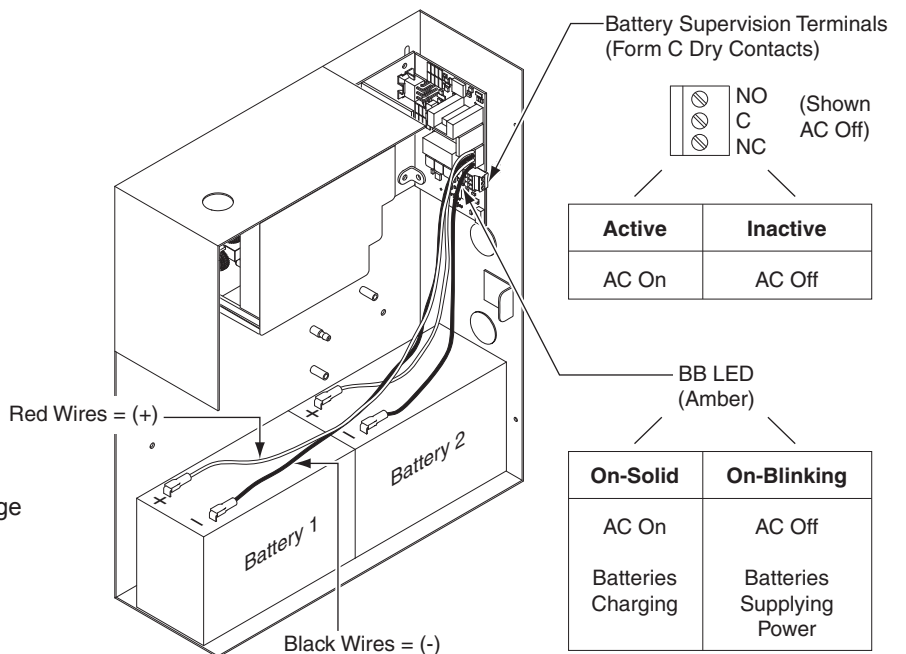
**⚠ DANGER ⚠**  
If AC LED is off, turn  
AC breaker prior to  
checking F1 fuse

### 4 Install 900-BB battery backup (if included)

Refer to 900-BB Instructions

#### 1a Place Batteries in Box with Terminals to the Left

#### 1b Attach Wires from Battery Board Red wires = (+) Black wires = (-)



Note: Allow 24 hours for batteries to fully charge

<b>Active</b>	<b>Inactive</b>
AC On	AC Off

BB LED (Amber)

<b>On-Solid</b>	<b>On-Blinking</b>
AC On	AC Off
Batteries Charging	Batteries Supplying Power

## 5 Turn on AC breaker to test power supply

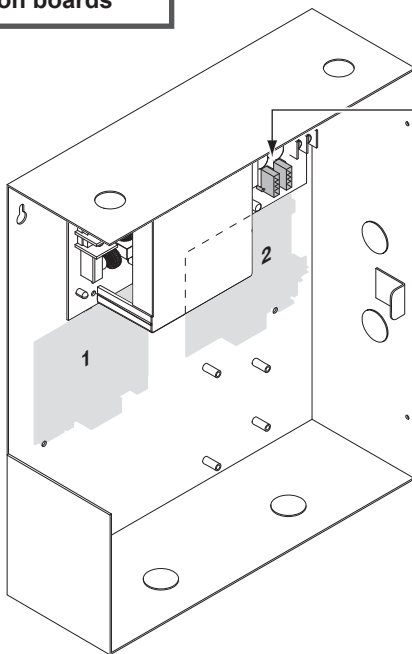
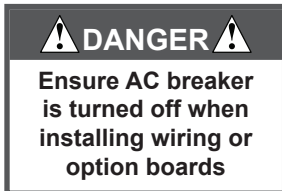
Verify AC LED is On = GREEN

Verify DC LED is On = RED

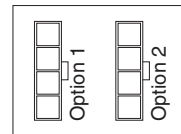
Verify BB LED (if applicable) is On = AMBER

### Option Boards

Refer to appropriate instructions if any board shown below is factory-installed

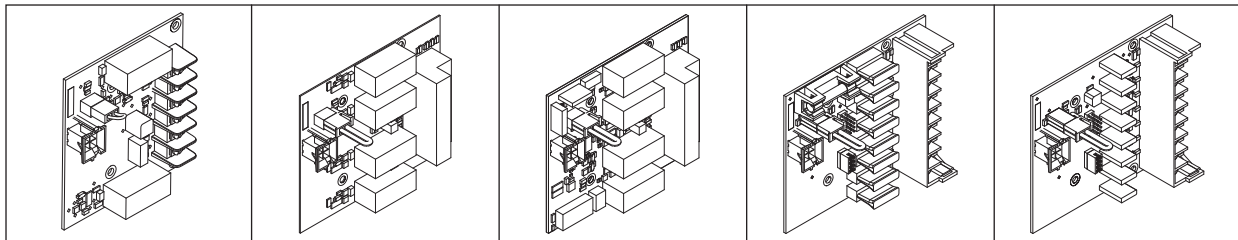


Option Boards may be Plugged into either Option Connector



• See option board installation instructions for wiring info

Available option boards:



900-2RS  
(2 Relay)

900-4R  
(4 Relay)

900-4RL  
(4 Relay w/logic)

900-8F  
(8 Zone  
Distribution-fuse)

900-8P  
(8 Zone  
Distribution-PTC)

Note: When installation is complete, secure enclosure door with screws (provided) or keylock.

### Customer Service

1-877-671-7011

[www.allegion.com/us](http://www.allegion.com/us)



© Allegion 2014  
Printed in U.S.A.  
44487031 Rev. 06/14-d