




REMOTE
LAUNCHER

SD-LAUNCHER-KIT / SD-LAUNCHER-TR / SD-LAUNCHER-R / SD-BASKET-R OPERATING GUIDE
SOME INFORMATION INCLUDED IN THIS GUIDE MAY NOT APPLY TO THE PRODUCT YOU PURCHASED
PLEASE READ THIS ENTIRE GUIDE BEFORE BEGINNING

IMPORTANT SAFETY INFORMATION

Explanation of Attention Words and Symbols used in this guide

 This is the safety alert symbol. It is used to alert you to potential personal injury hazards. Obey all safety messages that follow this symbol to avoid possible injury or death.

⚠️ WARNING WARNING indicates a hazardous situation which, if not avoided, could result in death or serious injury.

CAUTION CAUTION, used without the safety alert symbol, indicates a hazardous situation which, if not avoided, could result in harm to your dog.

NOTICE NOTICE is used to address safe use practices not related to personal injury.

⚠️ WARNING

- Not for use with aggressive dogs. Do not use this product if your dog is aggressive, or if your dog is prone to aggressive behavior. Aggressive dogs can cause severe injury and even death to their owner and others. If you are unsure whether this product is appropriate for your dog, please consult your veterinarian or a certified trainer.
- This device contains lithium-ion (Li-ion) batteries; never incinerate, puncture, deform, short-circuit, or charge with an inappropriate charger. Fire, explosion, property damage, or bodily harm may occur if this warning is not followed.
- Risk of explosion if battery is replaced by an incorrect type. Dispose of used batteries according to the instructions.
- Batteries should never be removed from the battery compartment for charging.
- Risk of explosion if batteries are charged in areas with high temperature (100° F+).
- Do not use the equipment until you have read this manual.
- Transport the device in a safe position with safety measures engaged. It should either have the bird cradle open, or if it is closed, the safety pin must be inserted to lock the release latch.
- This product is not a toy and must be respected as such. Inexperienced users and children should never be allowed near the device while in use.
- Always wear eye protection when operating the device.
- When loading the device, never reach your hands or body inside the working area of the device.
- Do not look down upon it, into it, or stand in front of the device once the mechanism has been engaged. You may be injured.
- Never point or aim the device at or towards anyone.

- To prevent accidental launching, always be aware of where the Transmitter is located.
- Never leave a set device unattended.
- Proper and regular maintenance of the device is critical to ensure reliable and safe operation. Failure to maintain the device can result in accidental misfiring and severe bodily injury to the user and/or spectators.

CAUTION

- The sound is very loud – never operate the sound close to a person unless you place something over the internal speaker to muffle the sound.
- Unauthorized changes or modifications to the equipment may violate FCC regulations and could void the user's authority to operate the equipment.

NOTICE

- Only launch dog training products with this device.
- To store for long periods of time, place the device in the open position to prevent the springs from weakening.

Thank you for choosing SportDOG Brand® training products. Used properly, this product will help you train your dog efficiently and safely. To ensure your satisfaction, please review this owner's manual thoroughly. If you have questions regarding this product's operation, please see this manual's Frequently Asked Questions or Troubleshooting sections, contact our Customer Care Center at 1-800-732-0144, visit our website at www.sportdog.com, or view our support videos at www.sportdog.com/galleries.

To get the most protection out of your 2 Year Warranty, please register your product within 30 days at www.sportdog.com. By registering, and keeping your receipt, you will enjoy the product's full warranty and should you ever need to call the Customer Care Center, we will be able to help you faster. Most importantly, your valuable information will never be given or sold to anyone. Complete warranty information is available online at www.sportdog.com.

TABLE OF CONTENTS

HOW THE SYSTEM WORKS.....	5
KEY TERMS.....	6
ASSEMBLING THE LAUNCHER BASKET*.....	8
ATTACHING THE RECEIVER TO TRAINING EQUIPMENT*.....	8
NORMAL MODE AND EXPANDED MODE*.....	9
SET USER ID*.....	10
PREPARING THE TRANSMITTER*.....	11
PREPARING THE RECEIVER*.....	11
ABOUT RECHARGEABLE BATTERIES.....	12
MATCHING RECEIVER(S) TO THE TRANSMITTER*.....	13
SENDING A LAUNCH SIGNAL*.....	14
SELECTING AND SENDING THE TONE SIGNAL*.....	15
ACCESSORIES.....	17
FREQUENTLY ASKED QUESTIONS.....	18
TROUBLESHOOTING.....	19
TERMS OF USE AND LIMITATION OF LIABILITY.....	20
COMPLIANCE.....	21
CUSTOMER CARE.....	22
BATTERY DISPOSAL.....	23
WARRANTY.....	24

* Video support available at www.sportdog.com/galleries



HOW THE SYSTEM WORKS

The SportDOG Brand® Launcher system lets you remotely control the launch of birds or training dummies from up to 1/2-mile away. The Transmitter sends a signal to the Receiver, which can be used with the SportDOG™ Launcher Basket, and can also be fitted to most brands of bird launchers or throwers. The system can be used to train retrievers to remain steady and mark falling birds. It can also be used in pointing dog training to reinforce steadiness when a bird flushes. In Normal Mode, the Transmitter can be set to control up to four Receivers, and each Receiver can control up to nine devices, using SportDOG cables, for a total of 36 possible devices. In Expanded Mode, the Transmitter can control up to 36 independent Receivers. To add

realism to training situations, the Transmitter can signal the Receiver to emit the sound of a duck quack, pheasant cackle, or shotgun report. By altering distances between the Transmitter and Receiver(s), and tailoring the sounds to the situation you're training for, the system provides countless options for hunters and trainers who train their dogs for everything from hunting to hunt tests to field trials.

IMPORTANT: THE LAUNCHER HAS A REMOTE RANGE OF 1/2 OF A MILE AND AN AUDIBLE RANGE OF 400 YARDS. DEPENDING ON THE WAY YOU HOLD THE TRANSMITTER, THE MAXIMUM RANGE MAY VARY. FOR CONSISTENT RESULTS AT LONGER RANGES, HOLD THE TRANSMITTER IN A VERTICAL POSITION AWAY FROM YOUR BODY AND ABOVE YOUR HEAD. TERRAIN, WEATHER, VEGETATION, TRANSMISSIONS FROM OTHER RADIO DEVICES, AND OTHER FACTORS WILL AFFECT THE MAXIMUM RANGE.



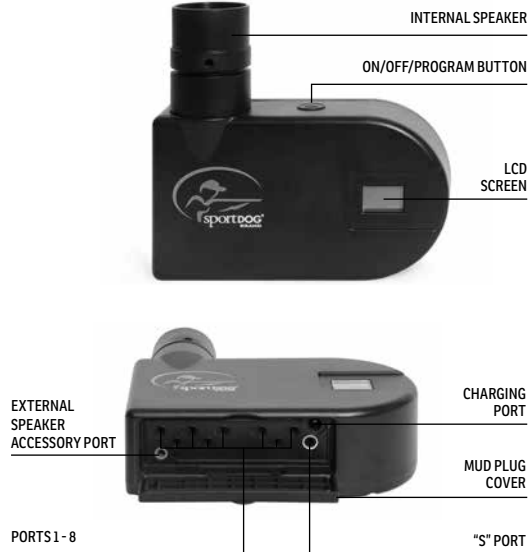
⚠WARNING Do not use this product if your dog is aggressive, or if your dog is prone to aggressive behavior. Aggressive dogs can cause severe injury and even death to their owner and others. If you are unsure whether this product is appropriate for your dog, please consult your veterinarian or a certified trainer.

KEY TERMS

Launcher Transmitter



Launcher Receiver



Launcher Basket



LAUNCHER PORT DEFINITIONS

The following ports are referenced throughout the SportDOG Brand® Launcher Operating Guide:

PORT	FUNCTION
1 - 8	Servo Activation Only (500mA Max)
S Port	Solenoid Activation (3A Max)
External Speaker Accessory Port	Compatible with SportDOG SAC00-14730
Charging Port	12VDC Input

ICONS DEFINITIONS

The following icons are referenced throughout the SportDOG Brand® Launcher Operating Guide:

ICONS	FUNCTION
	Displays the battery charge status
P D S	Indicates the selected tone chosen for the upcoming launch: Pheasant, Duck, or Shotgun Report
1 2 3 4	Indicates the current Receiver. Each Receiver is assigned a number in Program Mode.
0 1 2 3 4 5 6 7 8	Numbers that indicate the Receiver's Launch position
P	Program Mode
E	Expanded Mode
-	Normal Mode
U	User ID

STEP::01

ASSEMBLING THE LAUNCHER BASKET

You will need:

- (2) washers
- (1) nut
- (1) cotter pin
- (2) springs
- (1) bolt
- (1) spring-tensioner
- 1/2" wrench (not included)



To assemble the SportDOG™ basket:

1. Lay the device on its end so that you can work on the spring-tensioner end.
2. Attach one of the springs to each of the Basket's arms.
3. Attach the free ends of each spring into each sidehole on the spring-tensioner, so that the springs are now connected.
4. Thread the bolt (with a washer) through the top bracket, the spring-tensioner, and the bottom bracket.
5. Attach a washer and nut below the bottom bracket and tighten with a 1/2" wrench until hole in nut and bolt are aligned.
6. Insert cotter pin through nut and bolt.

NOTE: By turning the bolt clockwise, tension will decrease. By turning counter-clockwise, tension will increase.

STEP::02

ATTACHING THE RECEIVER TO TRAINING EQUIPMENT

To attach the SportDOG Receiver to the SportDOG Basket:

1. Remove the two screws from the back of the Receiver, and use them to secure the Receiver to the end of the Basket opposite the spring-tensioner.
2. Plug the cable attached to the Basket into the Receiver's "S" port.



NOTE: If attaching the SportDOG Launcher Receiver to other training equipment, always follow the manufacturer's directions. Be careful not to attach the Receiver to a training device in such a way that the Receiver will be in the path of whatever is launched. Also, do not attach it in such a way that it will interfere with the releasing mechanism of the training device.

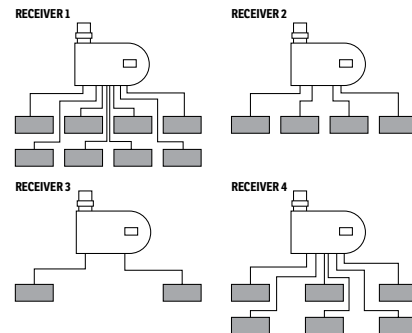
STEP::03

NORMAL MODE AND EXPANDED MODE

The SportDOG™ Launcher electronics will operate in either Normal Mode or Expanded Mode, depending on training needs and available equipment.

NORMAL MODE

- This mode allows a user to control 4 Receivers.
- Each Receiver can control up to 9 devices, plugged into cable ports 0-8 on the underside of the Receiver. (The "0" port is a solenoid, or "S" port).
- Each Receiver is assigned and programmed a unique ID by Launch Signal Buttons 1, 2, 3, or 4 on the Transmitter. Individual devices are then launched by adjusting a position level on the Transmitter to respond to the device's cable and Receiver position.



Example:

- If a device was attached to the #4 port on Receiver 1, setting the Transmitter to launch position 4, using the Launch Selection Up/Down Buttons, and pressing the Launch Signal Button #1, you will launch the device attached to port 4 on Receiver 1.

NOTE: If a Receiver is attached to the Launcher basket or any other device using the "S" port, the number on the Transmitter's screen must be set to zero to activate and launch the device.

EXPANDED MODE

In Expanded Mode, a user may program up to 36 independent Receivers. Follow the instructions on page 10, to select this mode.

Examples:

- To program your first Receiver, you'll use the Transmitter's Launcher Selection Up/Down Buttons to select a 0 in the middle of your Transmitter's LCD screen, and then press the first Launch Signal Button. This will send a signal to the Receiver and it will then have a **1** in the upper right corner and a 0 displayed in the center of the screen.
- To program your second Receiver, you'll use the Transmitter's Launcher Selection Up/Down Buttons to select a 1 in the middle of your Transmitter's LCD screen, and then press the second Launch Signal Button. This will send a signal to the Receiver and it will then have a **2** in the upper right corner and a 1 displayed in the center of the screen.

TO SWITCH BETWEEN NORMAL AND EXPANDED MODE

1. Press and hold the Change Tone/Mode Selection Button on the Transmitter for 5 seconds. When a "P" appears, release the button.
2. Use the Launcher Selection Up/Down Buttons to scroll through and select "E" for Expanded Mode or "—" for Normal Mode. "U" is for User ID, see below.
3. Press the Change Tone/Mode Selection Button again and your selection will flash rapidly, indicating that the mode has been selected.

NOTE: It is necessary to rematch Receivers each time you switch between Expanded Mode and Normal Mode (see Step 6).

TO SET USER ID

The User ID can be set so more than one Transmitter can control the same Receiver. An unlimited number of people may share a unique User ID. All Transmitters would need to be programmed to either Normal Mode or Expanded Mode.

1. Press and hold the Change Tone/Mode Selection Button on the Transmitter for 5 seconds. When a "P" appears, release the button.
2. "E" or "—" will appear, depending on what mode is set.
3. Use the Launcher Selection Up/Down Buttons to select "U" to set the User ID.
4. Press the Change Tone/Mode Selection Button. A "—" or number 0-9 will appear.
5. Use the Launcher Selection Up/Down Buttons to select a number 0-9. This is your User ID.
6. Press the Change Tone/Mode Selection Button again and your number selection will flash rapidly, indicating that the User ID has been set.
7. To confirm your selection, follow steps 1-4. The number that appears is your User ID.

NOTE: It is necessary to rematch Receivers each time you change the User ID (see Step 6). To return unit to the factory ID, simply select "—" in step 5 above.

STEP :: 04

PREPARING THE TRANSMITTER

TO CHARGE THE TRANSMITTER

1. Lift the rubber cover protecting the Transmitter Charging Port.
2. Connect the appropriate charger connector to the Transmitter.
3. Plug the charger into a standard 120/240-volt AC wall outlet.
4. The Transmitter will be fully charged after 2 hours.
5. Battery charge is indicated by a battery icon on the Transmitter's LCD screen. A full battery indicates charging is complete.
6. When charging is complete, unplug the charger and replace the rubber cover.

Using Lithium-Ion technology, the Transmitter only requires a 2 hour charge. It is not harmful to let the unit charge more than 2 hours.



TO TURN THE TRANSMITTER ON/OFF

There is no on/off button on the Transmitter. When charged, the LCD screen will turn on when a button is pressed, stay on for a few minutes, and then time out automatically if no other action is taken.

NOTE: Approximate battery life between charges is 80 hours, depending on frequency of use.

STEP :: 05

PREPARING THE RECEIVER

TO CHARGE THE RECEIVER

1. Pull down the mud plug cover to expose the Receiver Charging Port.
2. Connect the appropriate charger connector to the Receiver Charging Port.
3. Plug the charger into a standard 120/240-volt AC wall outlet.
4. The Receiver will be fully charged after 2 hours.
5. Battery charge is indicated by a battery icon on the Receiver's LCD screen. A full battery indicates charge is complete.
6. When charging is complete, unplug the charger and close the mud plug cover.



Using Li-Ion technology, the Receiver only requires a 2 hour charge. It is not harmful to let the unit charge more than 2 hours.

TO TURN THE RECEIVER ON

Press and release the Receiver On/Off button. Unit will emit ON tone.

TO TURN THE RECEIVER OFF

Press and hold the Receiver On/Off button for 3 seconds. Unit will emit OFF tone.

To extend the life between charging cycles, turn off the Receiver when it is not in use.

NOTE: Approximate battery life between charges is 80 hours, depending on frequency of use.

RECHARGEABLE BATTERIES

⚠ WARNING

- The Transmitter and Receiver contain Lithium-Ion (Li-Ion) batteries; never incinerate, puncture, deform, short-circuit, or charge with an inappropriate charger. Fire, explosion, property damage, or bodily harm may occur if this warning is not followed.
 - Risk of explosion if battery is replaced by an incorrect type. Dispose of used batteries accordingly.
 - Batteries should never be removed from the battery compartment for charging.
 - Do not charge the batteries in areas with high temperature (100° F+).
-
- The rechargeable Lithium Ion (Li-Ion) batteries are not memory sensitive, do not require depletion before charging and cannot be over charged.
 - The batteries come partially charged from the factory, but will require a full charge before the first use.
 - **When storing the unit for long periods, remember to regularly give batteries a full charge. This should be done once every 3 to 4 months.**
 - You should expect hundreds of recharge cycles from your batteries. However, all rechargeable batteries lose capacity over time relative to the number of recharge cycles they experience. This is normal. If your operating time drops to half of the original life, contact the Customer Care Center to purchase a new battery.
 - The batteries should last for a period of 3-5 years. When a battery needs replacement, you can order a new pack by calling our Customer Care Center at 1-800-732-0144. Please do not open the Transmitter or Receiver until you have received the replacement.

STEP :: 06

MATCHING RECEIVER(S) TO THE TRANSMITTER

Prior to use, you must match your Receiver(s) to the Transmitter.

In Normal Mode, the Transmitter can control up to 4 Receivers at a time, with up to 9 devices attached to each. In Expanded Mode, the Transmitter can control up to 36 Receivers.

NORMAL MODE

1. Make sure the Receiver is turned off and the Transmitter is set to Normal Mode (see page 10).
2. Press and hold the Receiver's On/Off button until it beeps. Keep pressing (about 5 seconds) until a "P" appears on the Receiver's LCD screen. The module is now in "Program Mode".
3. Press one of the Launch Signal Buttons (1-4) to assign a number to the Receiver.
4. The "P" on the Receiver will flash, indicating it has accepted the programming signal and a 1-4 icon will appear in the upper right corner, identifying the Receiver's number. All the devices attached to a particular Receiver will be launched using that Receiver's number.
5. Repeat this process if you have purchased multiple Receivers.



EXPANDED MODE

1. Make sure the Receiver is turned off and the Transmitter is set to Expanded Mode (see page 10).
2. Press and hold the Receiver's On/Off button until it beeps. Keep pressing (about 5 seconds) until a "P" appears on the Receiver's LCD screen. The module is now in "Program Mode."
3. To assign each Receiver a unique identity, use the Launcher Selection Up/Down Buttons to select the device position (0-8) then press the Launch Signal Button 1-4.
4. The "P" on the Receiver will flash, indicating it has accepted the programming signal.
5. A 1-4 icon will appear in the upper right corner and a number 0-8 will appear in the middle of the Receiver's LCD screen. These numbers identify the Receiver's unique identity.
6. Repeat this process until each Receiver has been assigned a unique identifier.

STEP :: 07

Examples:

- To program your first Receiver, use the Launcher Selection Up/Down Buttons to get a "0" in the middle of your Transmitter's LCD screen, and then press the first Launch Signal Button. This Receiver will have a **1** in the upper right corner and a "0" is displayed in the center of the LCD screen.
- To program your second Receiver, use the Launcher Selection Up/Down Buttons to get a 1 in the middle of your Transmitter's LCD screen, and then press the first Launch Signal Button. This Receiver will have a **1** in the upper right corner and a "1" is displayed in the center of the LCD screen.
- After programming Receivers 0-8 using the first Launch Signal Button, move on to the second Launch Signal Button, all the way up to your 36th Receiver having a **4** in the upper right corner and an 8 displayed in the center of the LCD screen.

SENDING A LAUNCH SIGNAL

After your Receivers have been programmed, they're ready to launch!

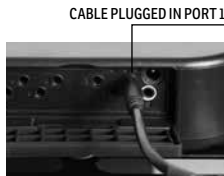
NORMAL MODE

If each Receiver is attached to either the SportDOG™ Launcher Basket or another device using the "S" port:

1. Use the Launcher Selection Up/Down Buttons to set the number on the Transmitter's LCD screen to zero.
2. Press Launch Signal Button 1-4 to launch the corresponding devices.

If using devices that are plugged into the Receiver's ports with SportDOG cables:

1. Plug up to (8) devices into each of the ports 1-8.
2. To designate which device will be launched from your selected Receiver, use the Launcher Selection Up/Down Buttons to select a port 1-8.
3. After selecting the device number, use the Launch Signal Buttons to send the launch signal to one of the four Receivers.
4. The launch signal will trigger the release mechanism of the attached device.



Examples:

- To launch the first device on Receiver 1, set the port number on the Transmitter's LCD screen to 1 and push the first Launch Signal Button (**A**).
- To launch the fourth device on Receiver 3, set the port number on the Transmitter's LCD screen to 4 and push the third Launch Signal Button.



NOTE: If the SportDOG Basket, or any solenoid device, is used, the "S" port must be used to launch.

EXPANDED MODE

1. To send a launch signal to each Receiver, use the same unique code used to program the Receiver (from page 13).
2. Use the Launcher Selection Up/Down Buttons to set the position (0-8) and the Launch Signal Buttons (1-4) to select the Receiver.
3. The launch signal will trigger the release mechanism on the attached device.



Examples:

- If you designated a Receiver as Receiver 4, position 6, use the Launcher Selection Up/Down Buttons to set the position number to 6 and then press the fourth Launch Signal Button to send the launch signal (**B**).
- If you designated a Receiver as Receiver 3, position 7, use the Launcher Selection Up/Down Buttons to set the position number to 7 and then press the third Launch Signal Button to send the launch signal.

STEP :: 08

SELECTING AND SENDING THE TONE SIGNAL

SportDOG™ Launcher Electronics offer a choice of three different tones for your training purposes: Pheasant, Duck, and Shotgun Report. The selected sound will be indicated on the Transmitter's LCD screen with a "P," "D," or "S."

NORMAL MODE

1. Press the Tone/Mode Selection Button to cycle through the sound choices and select either "P" (Pheasant), "D" (Duck), or "S" (Shotgun Report). These letters will appear on the Transmitter's LCD screen.
2. To send the tone signal to a Receiver, simply press the Tone Signal Button (1-4) on the Transmitter that corresponds to the Receiver you want to emit a tone.



Examples:

- To make Receiver 1 emit a Duck tone, set the tone indicator to "D" and press the first Tone Signal Button.
- To make Receiver 3 emit a Shotgun Report tone, set tone indicator to "S" and press the third Tone Signal Button.

EXPANDED MODE

1. Press the Tone/Mode Selection Button to cycle through the sound choices and select either "P" (Pheasant), "D" (Duck), or "S" (Shotgun Report). These letters will appear on the Transmitter's LCD screen.
2. To designate which Receiver will get a sound signal, use the same unique identity code used to program the Receiver (from page 13).

Examples:

- To make Receiver 1, position 2 emit a Duck tone, set the tone indicator to "D", use the Launcher Selection Up/Down Buttons to select position 2, and press the first Tone Signal Button (C).
- To make Receiver 3, position 5 emit a Shotgun Report tone, set tone indicator to "S", use the Launcher Selection Up/Down Buttons to select position 5, and press the third Tone Signal Button.



CAUTION

The sound is very loud – never operate the sound close to a person unless you place something over the Internal Speaker to muffle the sound.

ACCESSORIES

To purchase additional accessories for your SportDOG Brand® Launcher System, contact the Customer Care Center at 1-800-732-0144 or visit our website at www.sportdog.com.

Component	Part Number
Launcher Basket with Transmitter and Receiver	SD-LAUNCHER-KIT
Launcher Basket with Receiver only	SD-BASKET-R
Launcher Basket Accessory	SAC00-14723
Launcher Basket Actuator Accessory	SAC00-14724
Launcher Basket Spring Accessory	SAC00-14725
Launcher Basket Net Accessory	SAC00-14726
Launcher Transmitter Battery Replacement Kit	SAC00-12542
Launcher Receiver Battery Replacement Kit	SAC00-14727
Launcher Transmitter / Receiver Accessory Kit (includes Transmitter belt clip, Receiver pocket clip, Transmitter charge port cover, and lanyard)	SAC00-14728
Launcher Receiver External Speaker Accessory	SAC00-14730
Launcher Transmitter	SDT00-14517
Launcher Receiver	SD-LAUNCHER-R
Launcher Transmitter and Receiver	SD-LAUNCHER-TR
SportDOG Launcher 15' Cable Accessory	SAC00-14354
Adaptor	SDT00-12272
Transmitter Antenna	SAC00-12533

FREQUENTLY ASKED QUESTIONS

Which devices will my Receiver operate?	In addition to the SportDOG Brand® Basket, the Receiver can be attached to a variety of items. The included brackets allow Receivers to be attached to other manufacturers' baskets, wingers, or other devices. Only use SportDOG Brand extension cables when connecting to other devices. Please verify compatibility with the manufacturer of your device.
Will I get exactly 1/2 mile of range with the SportDOG Launcher Electronics?	The range you get with your SportDOG™ Launcher Electronics will vary according to terrain, weather, vegetation, and transmission from other radio devices. To get the maximum amount of range, please refer to the "How the System Works" section of this guide.
Are the Basket, Transmitter, and Receiver waterproof?	Yes. The Basket, Transmitter, and Receiver are waterproof and submersible. If the Receiver's ports get wet you will want to allow them to dry before next use.
Can I program my Receiver to other SportDOG Brand Transmitters?	Yes. You can program your Receiver to work with SD-425, SD-425S, SD-425CAMO, SD-825, SD-1825, SD-1825CAMO, SD-1875, and SD-2525 Transmitters. When using the Launcher with your SportDOG Transmitter, the LAUNCH button(s) is used to launch the basket. If you want to incorporate duck, pheasant, or shotgun report sounds into your training, you will need to purchase a Launcher Transmitter (SD-LAUNCHER-T).

TROUBLESHOOTING

The answers to these questions should help you solve any problem you have with this system. If they do not, please contact the Customer Care Center at 1-800-732-0144, visit our website at www.sportdog.com, or view www.sportdog.com/galleries for support videos.

My Transmitter or Receiver does not turn on.	<ul style="list-style-type: none"> • Make sure that the equipment is charged. Transmitters and Receivers will charge in 2 hours. • Refer to "Preparing the Transmitter" and "Preparing the Receiver."
The Receiver is not responding to the Transmitter.	<ul style="list-style-type: none"> • Verify both devices are turned on and charged. • Refer to "Matching Receiver(s) To The Transmitter."
The Receiver did not accept a program setting.	<ul style="list-style-type: none"> • Be sure the Receiver has been turned on, and that you press the Transmitter button while the "P" is showing on the Receiver's screen. • Refer to "Matching Receiver(s) To The Transmitter."
I press the Transmitter button but my training device does not activate.	<ul style="list-style-type: none"> • Check your Transmitter screen and select the correct number for that Receiver. • Use the sound button to confirm your setting and make sure the Receiver is turned on. • Be sure you have plugged your training device into the Receiver. • Be sure you are pressing the correct Transmitter button for the output port you used for the training device. • Check that you have set up your training device correctly, and that any "safety" or "on" switch on the training device itself is set to allow activation. • If you are a very long way from the training device, range could be the problem. You can use the sound button to confirm that the Receiver is getting your Transmitter signal. • Maximize your range by holding the Transmitter straight overhead when you press the button. • There may be a malfunction in your training device itself. If you cannot resolve the problem, contact its manufacturer.

TERMS OF USE AND LIMITATION OF LIABILITY

1. TERMS OF USE

This Product is offered to you conditioned upon your acceptance without modification of the terms, conditions, and notices contained herein. Usage of this Product implies acceptance of all such terms, conditions, and notices.

2. PROPER USE

This Product is designed for use with dogs where training is desired. The specific temperament of your dog may not work with this Product. We recommend that you not use this Product if your dog is less than 8 pounds or if your dog is aggressive. If you are unsure whether this is appropriate for your dog, please consult your veterinarian, certified trainer, or contact our Customer Care Center at 1-800-732-0144.

Proper use includes reviewing the entire Operating Guide provided with your Product and any specific Caution statements.

3. NO UNLAWFUL OR PROHIBITED USE

This Product is designed for use with dogs only. This dog training device is not intended to harm, injure, or provoke. Using this Product in a way that is not intended could result in violation of Federal, State, or local laws.

4. LIMITATION OF LIABILITY

In no event shall Radio Systems® Corporation be liable for any direct, indirect, punitive, incidental, special or consequential damages, or any damages whatsoever arising out of or connected with the use or misuse of this Product. Buyer assumes all risks and liability from the use of this Product.

5. MODIFICATION OF TERMS AND CONDITIONS

Radio Systems Corporation reserves the right to change the terms, conditions, and notices under which this Product is offered.

COMPLIANCE

FCC

This device complies with part 15 of the FCC Rules. Operation is subject to the following two conditions: (1) This device may not cause harmful interference, and (2) this device must accept any interference received, including interference that may cause undesired operation.

This equipment has been tested and found to comply with the limits for a Class B digital device, pursuant to part 15 of the FCC Rules. These limits are designed to provide reasonable protection against harmful interference in a residential installation. This equipment generates, uses, and can radiate radio frequency energy and, if not installed and used in accordance with the instructions, may cause harmful interference to radio communications. However, there is no guarantee that interference will not occur in a specific installation. If interference does occur to radio or television reception, which can be determined by turning the equipment off and on, the user is encouraged to try to correct the interference by one or more of the following measures:

- Reorient or relocate the receiving antenna.
- Increase the separation between the equipment and the receiver.
- Connect the equipment to an outlet on a circuit different from that to which the receiver is connected.
- Contact customer service or an experienced radio/TV technician for assistance.

CAUTION

Unauthorized changes or modifications to the equipment may violate FCC regulations and could void the user's authority to operate the equipment.

CE

This equipment has been tested and found to comply with relevant R&TTE Directives. Before using this equipment outside the EU countries, check with the relevant local R&TTE authority. Unauthorised changes or modifications to the equipment that are not approved by Radio Systems Corporation are in violation of EU R&TTE regulations, could void the user's authority to operate the equipment, and void the warranty.

The Declaration of Conformity can be found at: www.sportdog.com/eu_docs.php.

IC

This device complies with Industry Canada licence-exempt RSS standard(s). Operation is subject to the following two conditions: (1) this device may not cause interference, and (2) this device must accept any interference, including interference that may cause undesired operation of the device.

This device has been designed to operate with the antennas provided with the equipment. Use of other antennas may violate Industry Canada rules and void the user's authority to operate the equipment.

Ce dispositif est conforme aux normes d'exemption de licence RSS d'Industrie Canada. Le fonctionnement est subordonné aux deux conditions suivantes : (1) cet appareil ne peut pas provoquer d'interférences et (2) il doit accepter toutes les interférences reçues, y compris celles qui peuvent être à l'origine d'un fonctionnement non souhaité.

Ce dispositif a été conçu pour fonctionner avec les antennes fournies avec ce produit. L'utilisation d'autres antennes peut enfreindre les règles industrielles du Canada et annuler l'autorité de l'utilisateur quant au fonctionnement de l'équipement.

ACMA
This device complies with the applicable EMC requirements specified by the ACMA (Australian Communications and Media Authority).

CUSTOMER CARE

USA & Canada - Tel: 800-732-0144
Monday - Friday 8 AM - 8 PM / Saturday 9 AM - 5 PM EST

Australia - Tel: 1800 786 608
Monday - Friday 8:30 AM - 5 PM

New Zealand - Tel: 0800 543 054
Monday - Friday 10:30 AM - 7 PM



BATTERY DISPOSAL

⚠WARNING See Important Safety Information related to the battery on page 2.

This system operates on two Li-Ion battery packs (950mAh capacity for the Receiver and 550mAh capacity for the Transmitter). Only replace with battery received from calling the Customer Care Center at 1-800-732-0144.

Separate collection of spent batteries is required in many regions; check the regulations in your area before discarding spent batteries. Please see below for instructions on how to remove the battery from the product for separate disposal. If you wish to ship us your spent batteries for disposal, contact the Customer Care Center.

AT END OF PRODUCT LIFE, USE THESE BATTERY REMOVAL INSTRUCTIONS FOR FINAL DISPOSAL (DO NOT OPEN THE RECEIVER OR TRANSMITTER UNTIL YOU HAVE RECEIVED THE REPLACEMENT):

- Using a #1 Phillips screwdriver for your Remote Transmitter or Receiver, remove the case screws.
- Remove the case back or cover.
- Remove the old battery pack.

⚠WARNING

- When removing the old battery pack, care must be taken when gripping the connector firmly to avoid damaging the wires. Shorting the battery wires may cause fire or explosion.
- These instructions are not valid for repair or battery replacement. Replacing the battery with a battery not specifically approved by Radio Systems® Corporation may cause fire or explosion. Please call the Customer Care Center at 1-800-732-0144 to avoid invalidating your warranty.



IMPORTANT RECYCLING ADVICE

Please respect the Waste Electrical and Electronic Equipment regulations in your country. This equipment must be recycled. If you no longer require this equipment, do not place it in the normal municipal waste system. Please return it to where it was purchased in order that it can be placed in our recycling system. If this is not possible, please contact the Customer Care Centre for further information. For a listing of Customer Care Centre telephone numbers, visit our website at www.sportdog.com.

This product is protected by the following patents:
U.S. Patent Numbers: 7,647,545

WARRANTY

Two Year Non-Transferrable Limited Warranty

This Product has the benefit of a limited manufacturer's warranty. Complete details of the warranty applicable to this Product and its terms can be found at www.sportdog.com and/or are available by contacting your local Customer Care Center.

- Radio Systems Corporation, 10427 PetSafe Way, Knoxville, TN 37932 USA
- Radio Systems PetSafe Europe Ltd., 2nd Floor, Elgee Building, Market Square, Dundalk, Co. Louth, Ireland

Australia/New Zealand – In compliance with the Australian Consumer Law, Warranties Against Defects, effective January 1, 2012, warranty details of this Product are as follows:

Two Year Non-Transferrable Limited Warranty

What is covered: Radio Systems Australia Pty Ltd. (hereinafter referred to as "Radio Systems") warrants to the original retail purchaser, and not any other purchaser or subsequent owner, that its Product, when subject to normal and proper residential use, will be free from defects in material or workmanship for a period of two (2) years from the purchase date. An "original retail consumer purchaser" is a person or entity who originally purchases the Product, or a gift recipient of a new Product that is unopened and in its original packaging. When serviced by Radio Systems Customer Service, Radio Systems covers labour and parts for the first two years of ownership; after the first two years, a service or upgrade charge will apply relative to replacement of the Product with new or refurbished items at Radio System's sole discretion.

The limited warranty is non-transferrable and shall automatically terminate if the original retail consumer purchaser resells the Radio Systems Product or transfers the property on which the Radio Systems Product is installed. This Limited Warranty excludes accidental damage due to dog chews; lightning damage; or neglect, alteration, and misuse. Consumers who purchase Products outside of Australia, New Zealand, or from an unauthorised dealer will need to return the Product to the original place of purchase for any warranty issues.

Please note that Radio Systems does not provide refunds, replacements, or upgrades for change of mind, or for any other reason outside of these Warranty terms.

Claims Procedure

Any claim made under this Warranty should be made directly to Radio Systems Australia Pty Ltd. Customer Care Centre at:

Radio Systems Australia Pty Ltd.
PO Box 765, Mudgeeraba QLD 4213
Australia Residents: 1800 786 608
New Zealand Residents: 0800 543 054
Email: info@petsafeaustralia.com.au

To file a claim, a proof of purchase must be provided. Without a proof of purchase, Radio Systems will not repair or replace faulty components. Radio Systems requests the Consumer to contact the Radio Systems Customer Care Centre to obtain a Warranty Return number, prior to sending the Product. Failure to do so may delay in the repair or replacement of the Product.

If the Product is deemed to be faulty within 30 days from date of original purchase, Radio Systems will organise for a replacement to be sent in advance of returning the faulty Product. A Post Bag will be included with the replacement Product for the return of the faulty Product. The Product must be returned within 7 days of receiving the replacement. If the Product is deemed to be faulty after 30 days from the date of original purchase, the consumer will be required to return the Product to Radio Systems at the consumer's own expense. Radio Systems will test and replace the faulty unit or its components and return to the consumer free of charge, provided the Product is within its said warranty period. This warranty is in addition to other rights and remedies available to you under the Law. Radio Systems goods come with guarantees that cannot be excluded under the Australia Consumer Law. You are entitled to a replacement or refund for a major failure and for compensation for any other reasonably foreseeable loss or damage. You are also entitled to have the goods repaired or replaced if the goods fail to be of acceptable quality and the failure does not amount to a major failure.

Should you have any queries or require any further information, please contact our Customer Care Centre on 1800 786 608 (Australia) or 0800 543 054 (New Zealand).



**GEAR THE WAY
YOU'D DESIGN IT®**



SPORTDOG.COM

GEAR THE WAY YOU'D DESIGN IT[®]

©2013 RADIO SYSTEMS CORPORATION

Radio Systems[®] Corporation • 10427 PetSafe Way • Knoxville, TN 37932 • 1-800-732-0144
400-1764/1