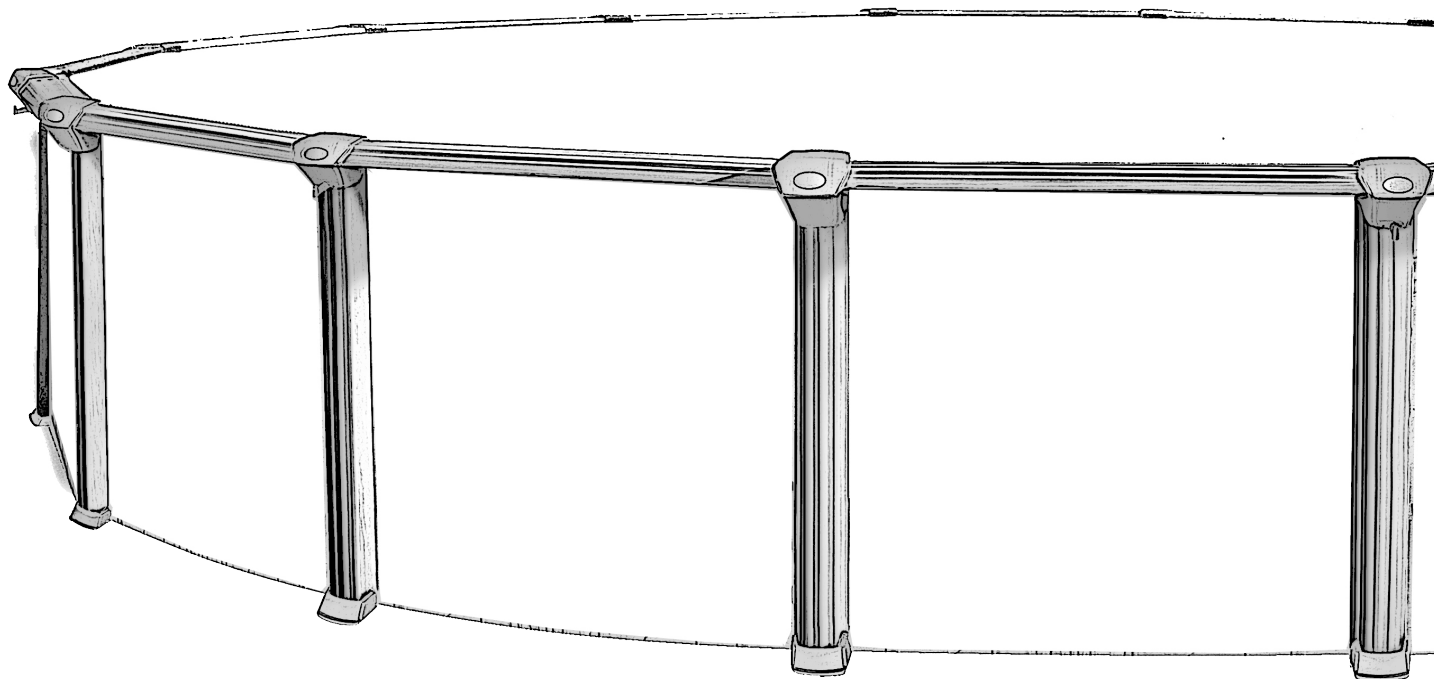


ambassador

● ————— INSTALLATION MANUAL

● ————— GIBRALTAR OVAL POOL



ABOVE GROUND POOL SAFETY

PLEASE READ BEFORE INSTALLATION



WARNING

FAILURE TO HEED THESE WARNINGS CAN RESULT IN PERMANENT INJURY, PARALYSIS FROM A BROKEN NECK, ELECTROCUTION OR DROWNING. THIS POOL IS NOT DESIGNED FOR DIVING OR JUMPING! DANGEROUS INJURY CAN RESULT, SHALLOW WATER!

Your pool contains a large quantity of water, and is deep enough to present inherent dangers to life and health unless the following safety rules are strictly observed. First-time users run the highest risk of injury. Make sure everyone understands. To insure your pool is used safely you **must** observe the following safety precautions:

1. NO JUMPING OR DIVING

The top rail of your pool is not a walkway and must not be used for jumping or diving. Do not permit jumping or diving into the pool from a deck or the top rail of the pool. Diving or jumping into the pool can result in serious injury.

2. NEVER USE THE POOL ALONE

Never permit the pool to be used unless it is attended by at least one person other than the bather. Someone should always be available to lend assistance in an emergency.

3. NEVER LEAVE CHILDREN UNATTENDED

Never leave a child alone and unsupervised in or near the pool—even for a second. There is no substitute for constant adult supervision.

4. NO ROUGH PLAY

Do not permit "rough-play" in and around your pool. Surfaces can become slippery and hazardous when wet.

5. LIGHT THE POOL AT NIGHT

If the pool is used after dusk, adequate lighting must be provided. Illumination in the pool area must be sufficient to clearly judge pool depth and all features in and around the pool. For lighting recommendations, consult your local licensed electrical contractor

6. RESTRICT ACCESS TO THE POOL

Do not leave chairs or other furniture beside the pool that could be used by a child to climb up into the pool. Ladders must be removed whenever the pool is unattended. A fence with a lockable gate around the pool or yard is strongly recommended and may be required by law in some jurisdictions.

7. NO ALCOHOL OR DRUGS

Never drink alcoholic beverages or use any intoxicants which could hinder your judgment and reflexes.

8. KEEP YOUR POOL CLEAN AND SANITARY

Your filter system will remove suspended particles from the water and the surface skimmer will remove insects, leaves and other debris from the water surface. Use the correct pool chemicals as directed to destroy harmful bacteria and prevent formation of algae. Remember, unsanitary water is a serious health hazard.

FOLLOW ALL SAFETY INSTRUCTIONS

Read and follow all safety instructions packaged with pool, ladder, deck or any other accessory. Additional pool safety publications can be obtained by contacting: The Association of Pool & Spa Professionals (www.apsp.org)

9. KEEP OFF TOP LEDGES

Do not walk on top ledges. They can be slippery and they are not a walkway.

10. POOL COVER SAFETY

The cover must have a tamperproof locking retainer cable that positions the cover around the pool wall and keeps it securely in place. Never allow anyone, especially small children on the cover. Asphyxiation or drowning could result. When purchasing any pool cover, please consult a swimming pool professional.

11. ELECTRICAL HAZARD

Never touch or attempt to service electrical equipment, including the filter when your body and/or the ground is wet. Electrocution or permanent injury due to high voltage (120V AC) could result. The pool should be bonded in accordance with Section 680-26 of the National Electrical Code. For further assistance contact your dealer or a local licensed electrician. Do not use pool during electrical or rain storms.

12. SAFETY ROPE & POLE

Keep a safety rope 1/4" by 50" with a flotation buoy with an outside diameter of 15". Have accessible in a prominent area by your pool. Keep a pole not less than 16 feet (4.88m) long with a blunt or hook end available at pool side in case of emergencies.

13. POOL CHEMICALS

Do not place chlorine, chlorine tablets or sticks directly into skimmer, or winterize your pool with liquid chlorine. Damage to the skimmer, pool liner and filter will result. Failure to obey this instruction will void all component warranties. Always follow Chemical Manufacturer's instructions when storing, handling and dispensing pool chemicals.

14. CHECK FOR DAMAGE

Periodically check your pool and ladder components for damage and wear. Be sure all screws are in place. Replace all damaged or worn components and tighten all screws before you use the pool, deck or ladders. At first sign remove rust and touch up immediately.

15. POOL PARTS

Never modify the pool or accessories, or remove or drill holes in the pool, deck or ladder components unless instructed. Your pool wall is made of thin metal, there is an inherent cut hazard with metal so use gloves during installation. Always use Original Equipment Manufactured parts for your replacement parts.



**REMEMBER
WATCH
CHILDREN**



IMPORTANT NOTICE READ BEFORE INSTALLATION!

The safety stickers must be installed as per following instructions. Failure to properly install warning labels will void warranty. Failure to mount these safety labels may subject you to substantial liability in case of injury. These warning are not to be removed under any circumstances! If they become discolored or fall off please request replacements which will be sent at no charge.



PLACE SIGN ON
LINER ABOVE WATER
LINE, OPPOSITE EN-
TRY TO POOL




PLACE SIGN ON
WALL NEXT TO
POOL ENTRY

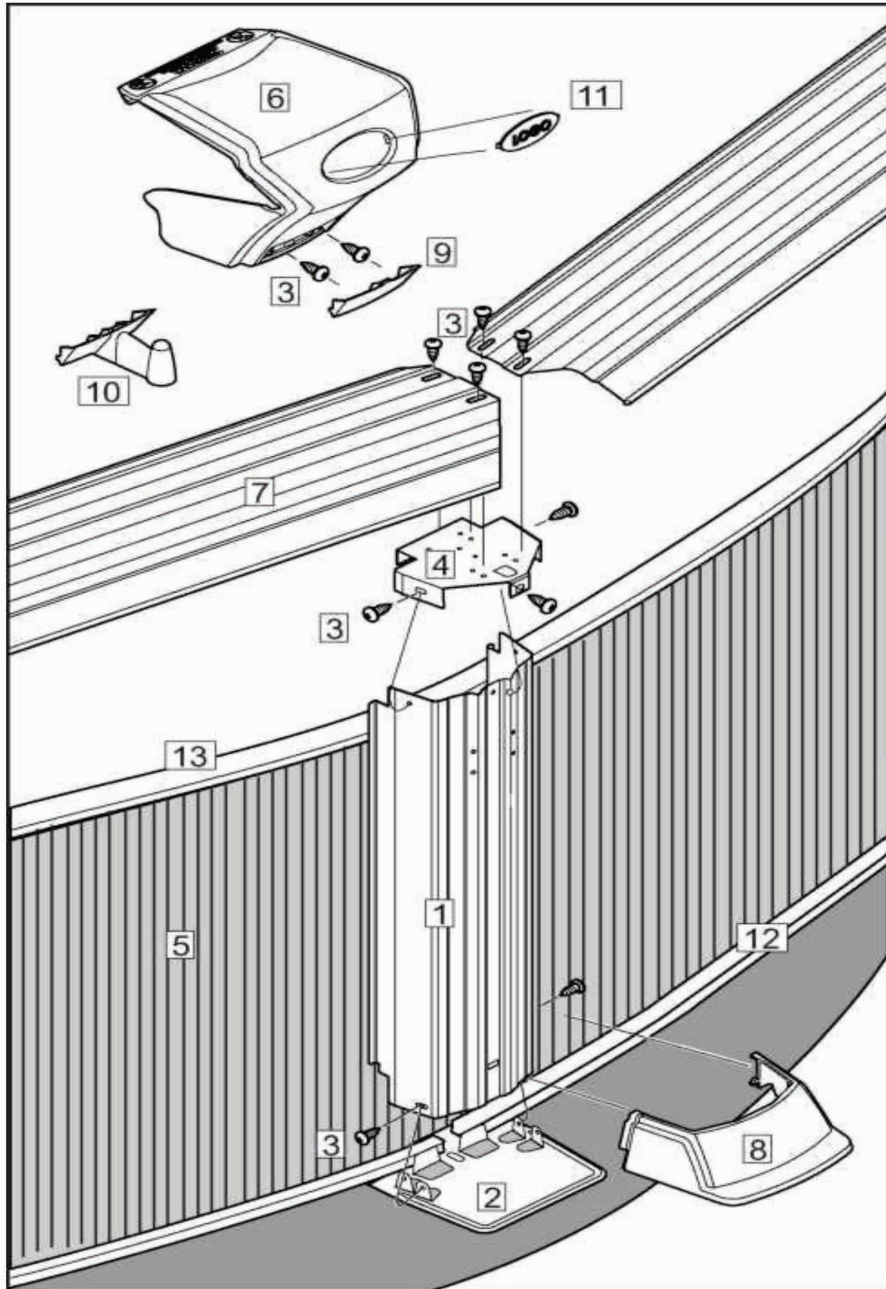
Section
1

GENERAL INSTRUCTIONS - GIBRALTAR OVAL POOLS GROUND PREPARATION

PARTS LISTING - EXPLODED VIEW

Ambassador Mist Grey STR
PAMB-52SSPSSI1
Round

 **Important Note:**
Make sure you have all the parts necessary before you start installation.

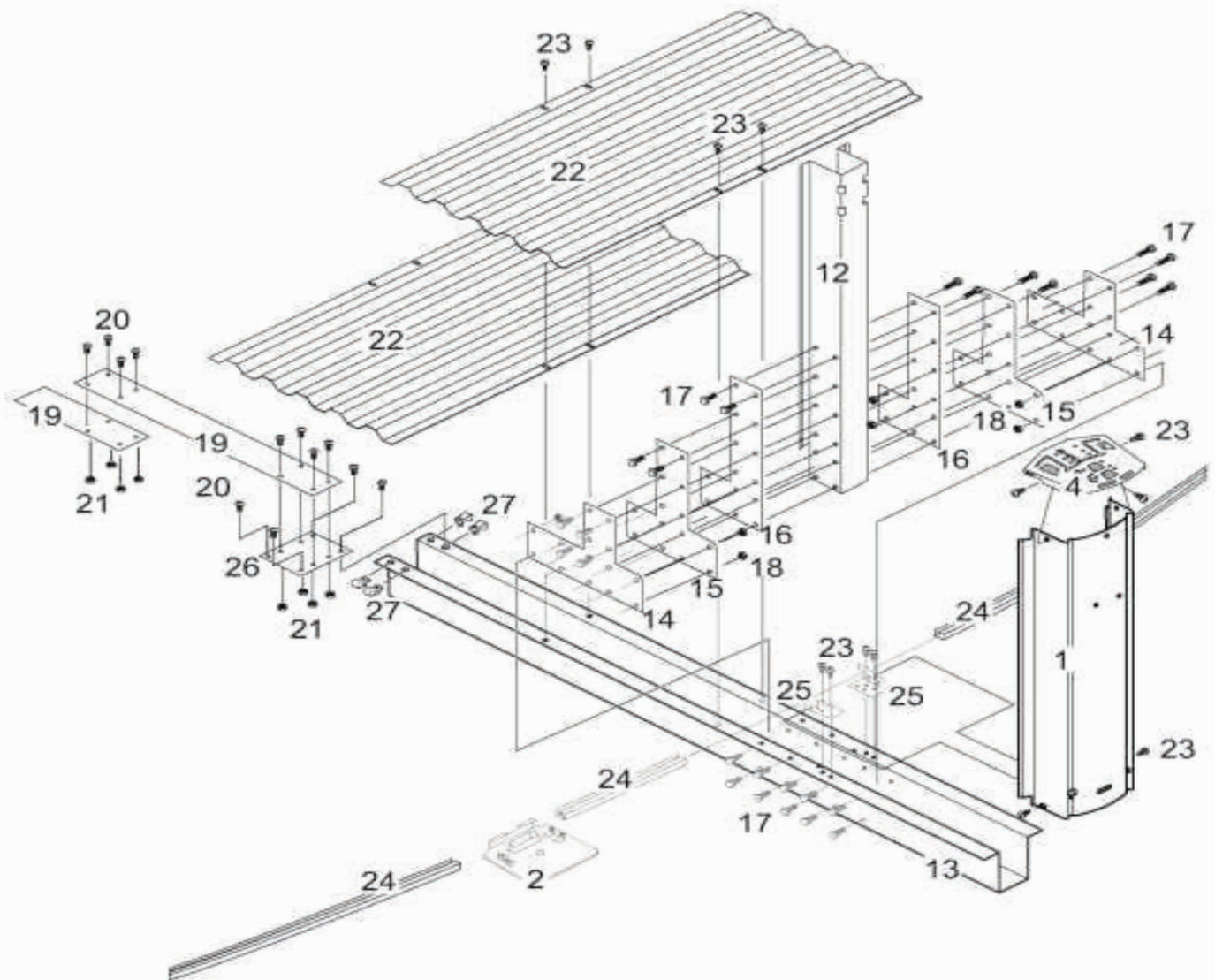


Section
1

GENERAL INSTRUCTIONS - GIBRALTAR OVAL POOLS GROUND PREPARATION

PARTS LISTING - EXPLODED VIEW

Ambassador Mist Grey STR
PAMB-GB52SSPSSI1
Gibraltar



Section 1

GENERAL INSTRUCTIONS - GIBRALTAR OVAL POOLS GROUND PREPARATION

PARTS LISTING - CONTENTS

Product Description:		Ambassador Oval		Revised Sept.2012			
Product Code:		PAMB-GB52SSPSSI1		Quantity required for installation (by pool size)			
INDEX#	DESCRIPTION	PARTS#	LENGTH	1218	1224	1530	1833
4	Top Plate	1320178		12	16	16	18
2	Bottom Plate	1320195		10	10	10	12
n/a	Flat Coping	10296		13	16	20	23
13	Omega Slotted tube	16799	8"	2	6	6	
		35402	45-1/2"	8	8		
		35403	57"				
		35404	56-3/4"	4			6
		35405	56-3/4"			4	12
		35406	53-1/2"				
		35407	45-5/8"		4		
		35408	42-1/8"		4		
		36468	57-5/8"			8	
		36469	51"			4	
12,24	Bottom Rail	1254412	44-5/8"	8	8		
		1255615	55-7/8"			8	
		1255618	55-7/8"	4			6
		1255624	56-1/8"			8	12
		1254424	44-5/8"		4		
		1254418	44-5/8"		4		
19	Strap Section	1510139	46-9/16"	2	6		
		1510140	44-7/16"			9	
		1510141	56-7/16"				9
25	Left/right upright clip	1320169		2	6	6	6
6	Ledge Cover - 1 Piece	1490577		12	16	16	18
8	Foot cover	1490578		12	16	16	18
9	Cover plug for ledge cover	1490579		3	4	4	5
10	Cover Hook (Optional)	1490580		12	16	16	18
11	Logo Insert (pack of 4)	1490576		3	4	4	5
n/a	Wall Hardware - 48/52/54"	10608					
3	Hardware	1184298		1	1	1	
		1184299		2	1	1	1
		1184300					2
		1184301			1	1	
17 to 27	Hardware	1184293		1	3	3	3
n/a	DVD	36877		1	1	1	1
7	Top Ledge Curve	1450803	45-9/16"	8	8		
		1450804	56-31/32"			8	10
		1450628	47-1/4"		4		
		1450629	58-3/4"			4	4
		1450805	47-1/8"		4		
		1450806	58-3/8"	4		4	4
1	Upright	1440503	51-1/2"	12	16	16	18
12	Upright Oval Channel	1440383	52"	2	6	6	6
13	Bottom Channel	1440335		2	6	6	6
14	Outside "T" bracket	1320139		4	12	12	12
15	Middle "T" bracket	1320138		4	12	12	12
16	Inside "L" bracket	1320147		4	12	12	12
22	Hold Down Plate	1320166		4	12	12	12
26	Bracket for Strap	1320164		2	6	6	6
3	Hardware Pack	1184293		1	3	3	3
5	Wall			1	1	1	1
	Wall joiner bar	11823		2	2	2	2

Section 1

GENERAL INSTRUCTIONS - GIBRALTAR OVAL POOLS GROUND PREPARATION

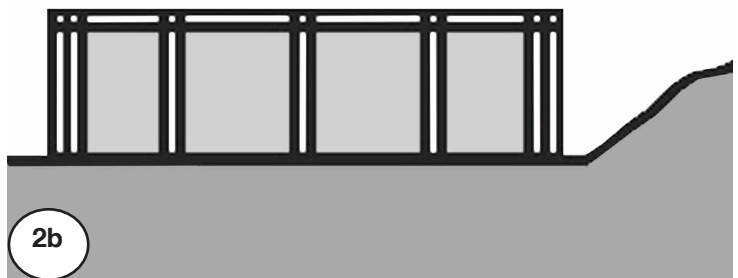
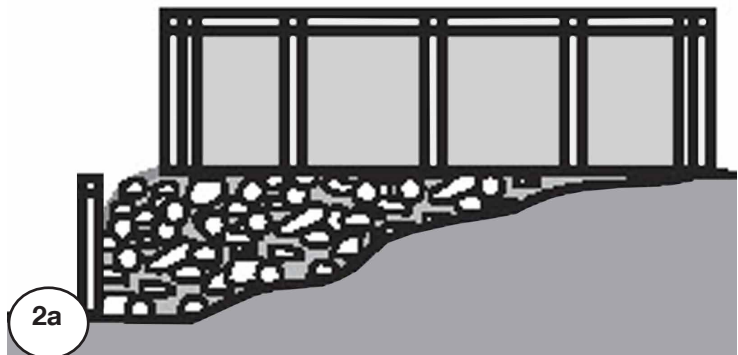
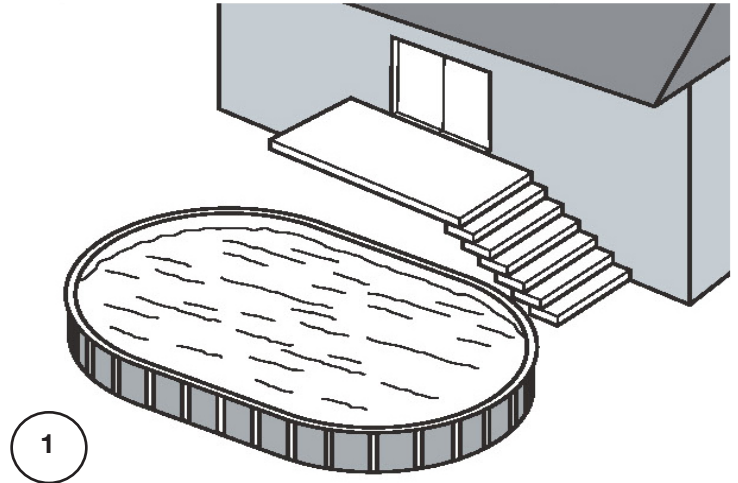
Read all instructions completely before you begin.

A. DETERMINE THE LOCATION OF YOUR POOL

1. The Terrain

Pay special attention to choosing the right location for your pool:

- Choose a large area, as flat and level as possible and well drained. *(Image 1)*
- Choose a spot on dry, firm earth (stabilizer or other)—do not install the pool on asphalt, tar or oil based surfaces, gravel, peat moss, wood or chemically treated soil.
- Check with your pool dealer to see if Nut Grass grows in your area. This type of grass may grow up through your pool liner. Your dealer will be able to advise how best to treat the site.
- Sloped areas will need to be made level by digging away high spots, not by filling low spots—be prepared to hire earth-moving equipment if necessary. *(Images 2a & 2b)*
- Ensure the earth is well compacted and a wall is placed to prevent the earth from seeping out. *(Image 2a)*
- If you need to install partly in the ground, you must contact your dealer to see if this is an option for you and that you meet law requirements in your jurisdiction. *(Image 2c)*



Important Note:

Ground preparation is one of the most important steps in the installation process. A proper foundation will ensure the rest of the pool assembly goes smoothly and that no problems will occur when the pool is filled with water.

Section 1

GENERAL INSTRUCTIONS - GIBRALTAR OVAL POOLS GROUND PREPARATION

A. CONT. DETERMINE THE LOCATION OF YOUR POOL

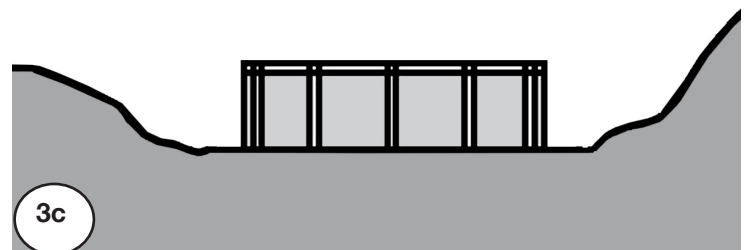
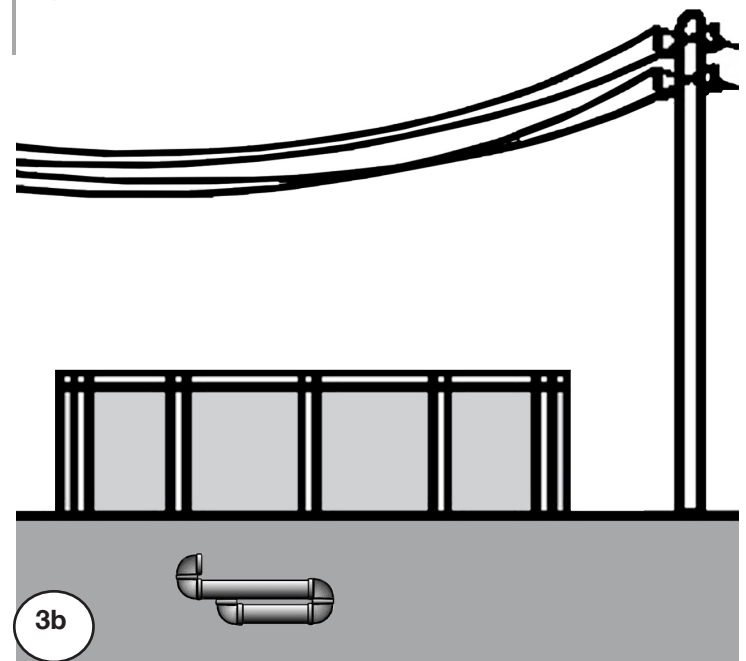
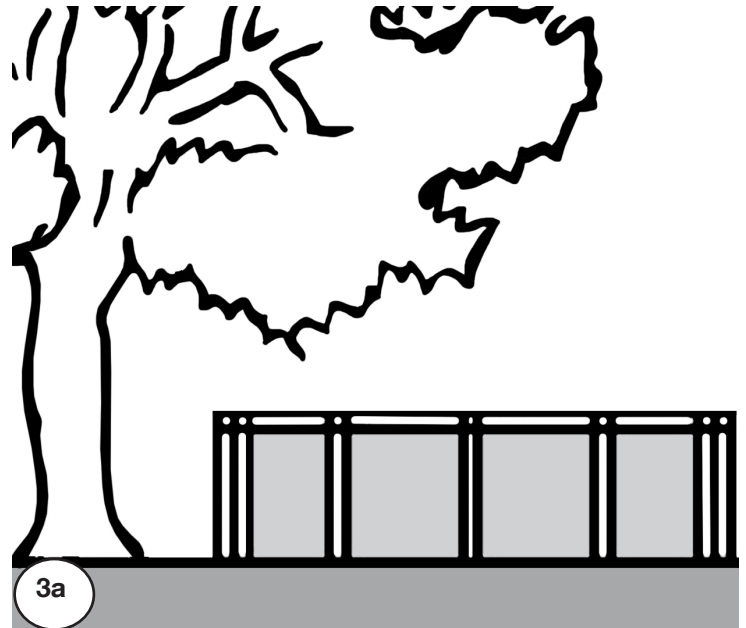
2. Things to Avoid

Do not locate your pool near or on any of the following (*Images 3a to 3c*):

- Overhanging tree branches.
- Overhead wires and clotheslines.
- Buried pipes and wires. Contact your gas, electric and telephone utilities to find buried pipes and wires before you dig.
- Areas with poor drainage.
- Grass, stones and roots. Grass will rot underneath the pool liner, and stones and roots will damage the pool liner.
- Areas recently treated with oil-based weed killers, chemicals or fertilizers.

3. Plan Ahead

- Will you be adding an adjacent deck later? Be sure to leave room.
- Will you be using pool accessories or other appliances that need electricity or gas? Locate your pool near these services or plan to have them installed later by a licensed contractor.



Important Note:

When locating the centre of the pool, be sure to take into consideration any structures (deck, patio, house) or relevant items (change rooms, gazebo, etc.) that the pool may need to line up with and ensure that the pool is in the most visual pleasing location for your property.

Section 1

GENERAL INSTRUCTIONS - GIBRALTAR OVAL POOLS GROUND PREPARATION

A. CONT. DETERMINE THE LOCATION OF YOUR POOL

4. Tools Needed



Compactor



Hammer



Water hose



Level



File



Vacuum cleaner



Pliers



Rake



Lawn roller



Metal snips



Screwdriver



Wheelbarrow



Shovel



Spray paint



Mallet



Measuring tape



Duct tape



Trowel



Wrench

List of required materials

- Straight wood plank
- Material that provides a permanent base (ex. Crushed stone)
- Fine sand (void of debris)
- Cement blocks (5cm x 20cm x 40cm / 2"x 8"x16") (optional)
- 2x Plywood (60cm x 120cm / 2ft x 4ft)
- Wood board (30cm x 20cm / 1ft x 1ft)
- Vinyl covered hooks (to hold wall steady)
- String and stakes & wooden pegs
- Prefabricated cove sections (optional)
- Pool carpeting (optional)
- Rope
- Polyethylene Plastic Sheeting



- Optical Level
Can be useful for precise measurements

Section 1

GENERAL INSTRUCTIONS - GIBRALTAR OVAL POOLS GROUND PREPARATION

B. PREPARE THE FOUNDATION OF YOUR POOL

1. Mark out the Area

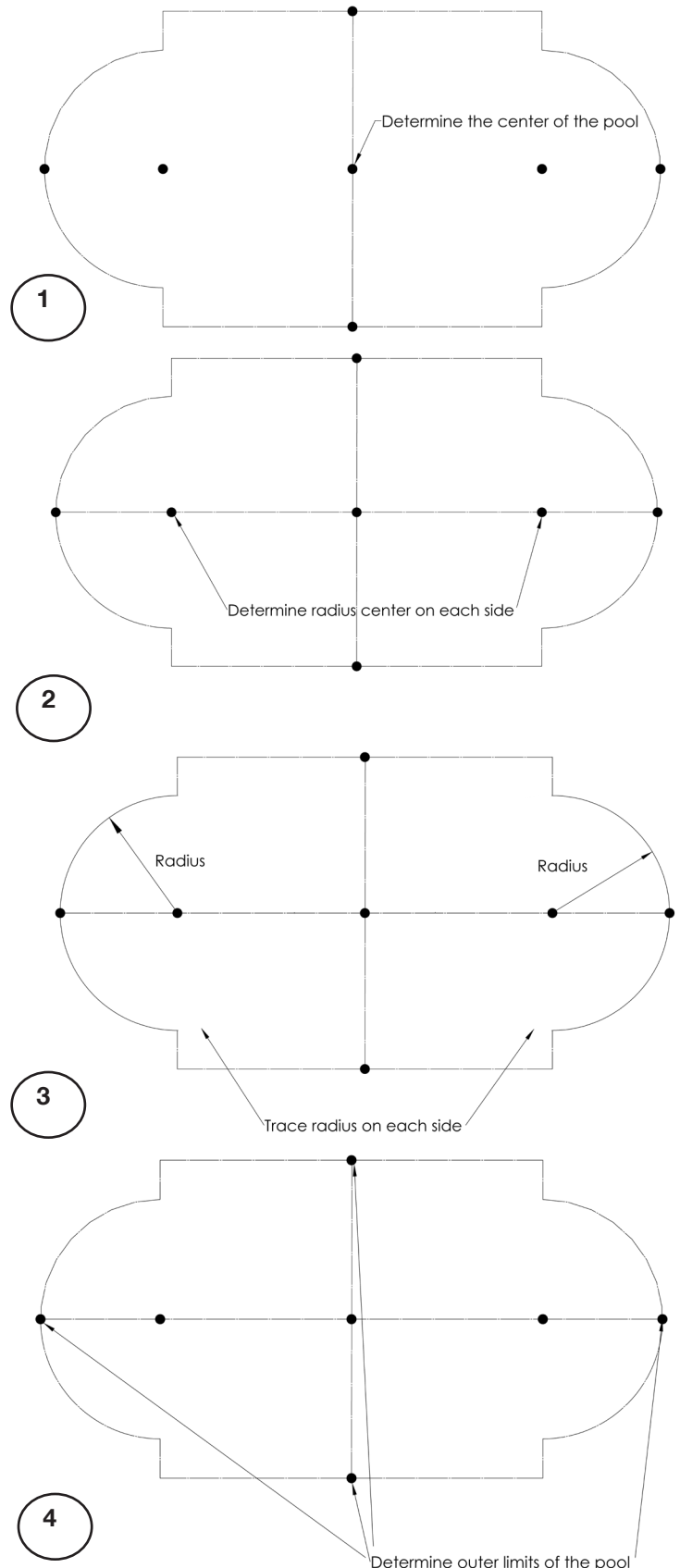
- a. The next following steps will show you how to mark out the area you need for the oval pool. This marked area will be larger than the pool size itself, but this space is needed. Find a site where the ground is stable, level and well drained. Once you have selected your site, determine where the middle of your pool will be.

See Diagrams:

Please see in the next page for an **EXAMPLE** on how to correctly mark your pool area.

Please verify your pool's **FOOTPRINT** for correct measurements on the last pages of this Section 1.

- b. Drive a peg into the ground at the centre point.
(Image 1)
- c. Now you must make the round ends that will be the oval part. In order to do so, you will have to determine the center of the radius on each side and drive a peg into the ground.
(Image 2)
- d. Using a length of string tied between the peg and a can of spray paint mark the circles on the ground.
(Image 3)
- e. Once the center has been established, and the measurement of the pool itself has been determined, you must now determine the outer limits of the perimeter of your pool. Add 12" (30 cm) outside this measurement to determine pool perimeter.
(Image 4)

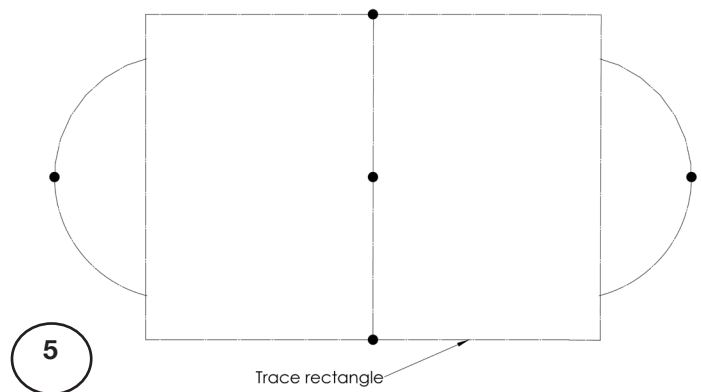


Section 1

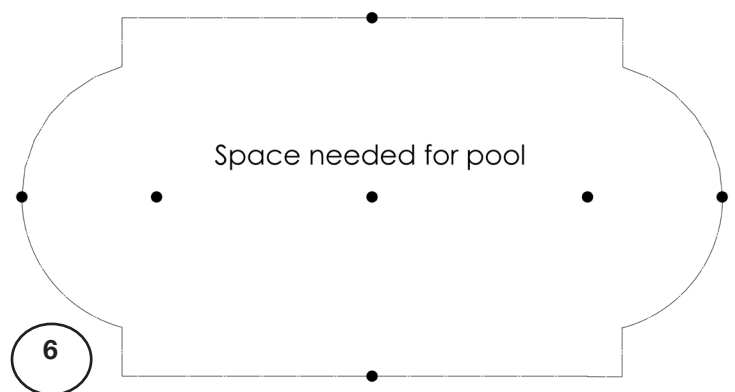
GENERAL INSTRUCTIONS - GIBRALTAR OVAL POOLS GROUND PREPARATION

B. CONT. PREPARE THE FOUNDATION OF YOUR POOL

- f. Mark areas along both straight sides of your oval. Use pegs and string as a guide for the can of spray paint to mark straight lines. *(Image 5)*



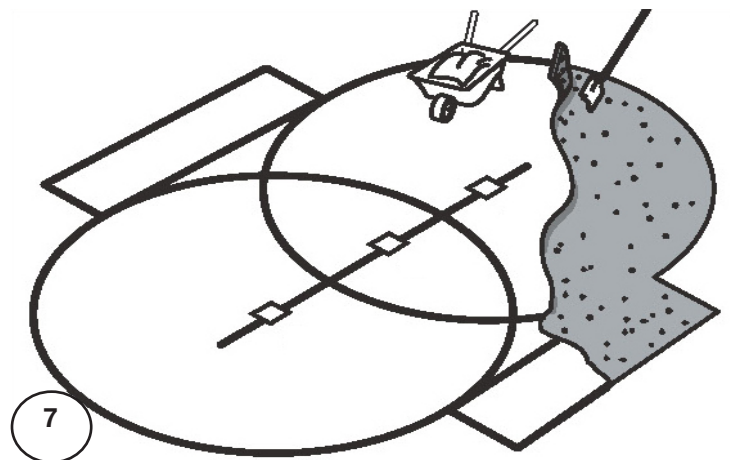
- g. You now have the space marked out that is needed for your oval pool. *(Image 6)*



2. Remove the sod

- a. Remove the sod from the area you have just outlined. *(Image 7)*
- b. Remove all debris (rocks, roots, etc) using a rake. Then compact the ground to achieve a firm base.

You can use a sod removal machine.



Important Note:

Your pool must be perfectly level. Take the time you need to be sure your foundation is perfectly level.

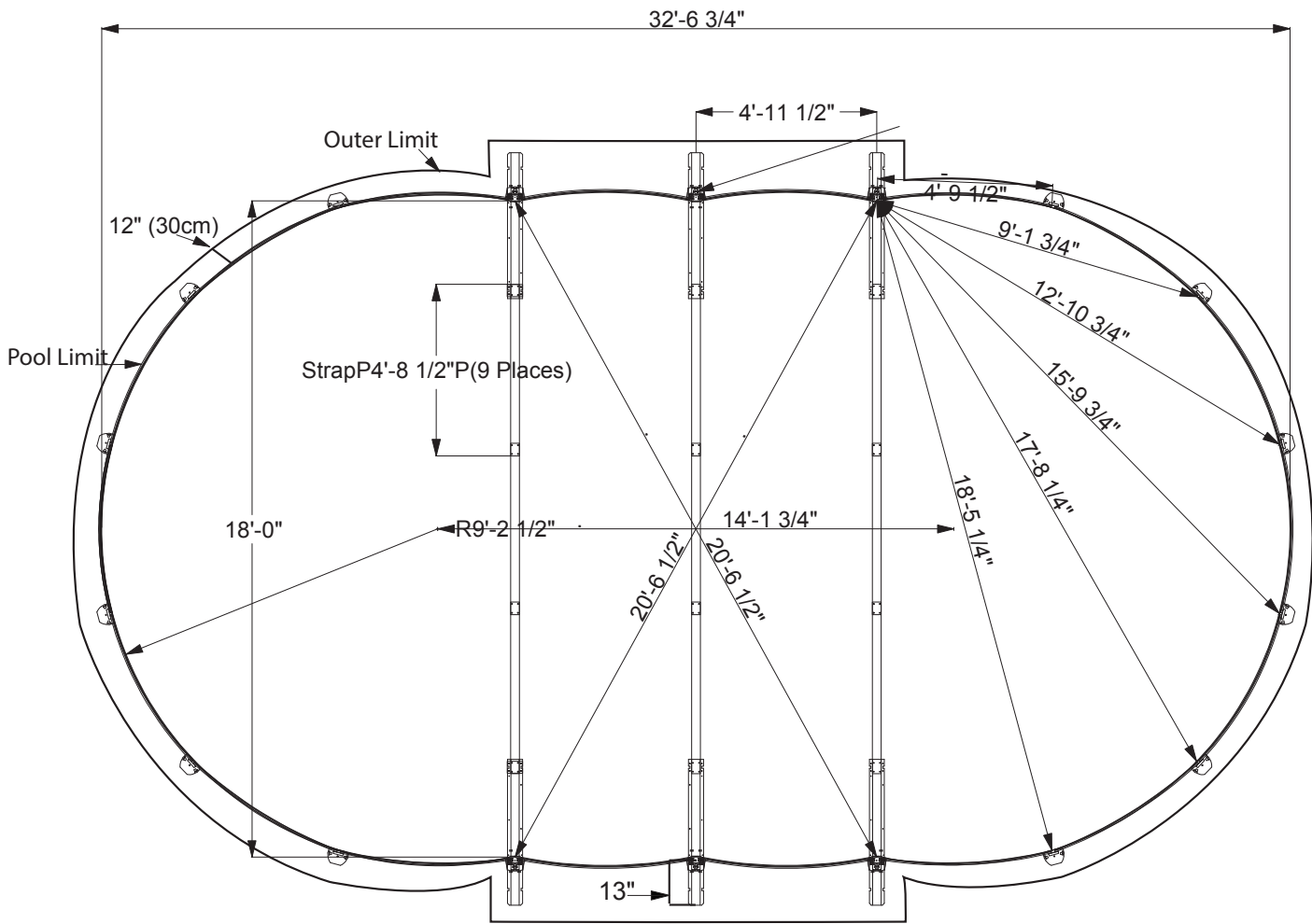
**Section
1**

**GENERAL INSTRUCTIONS - GIBRALTAR OVAL POOLS
GROUND PREPARATION**

B. CONT. PREPARE THE FOUNDATION OF YOUR POOL

Example on how to mark out pool area for an 18 x 33

Please be sure to use your pool's footprint for your pool size on the last pages of this Section1.



EXAMPLE

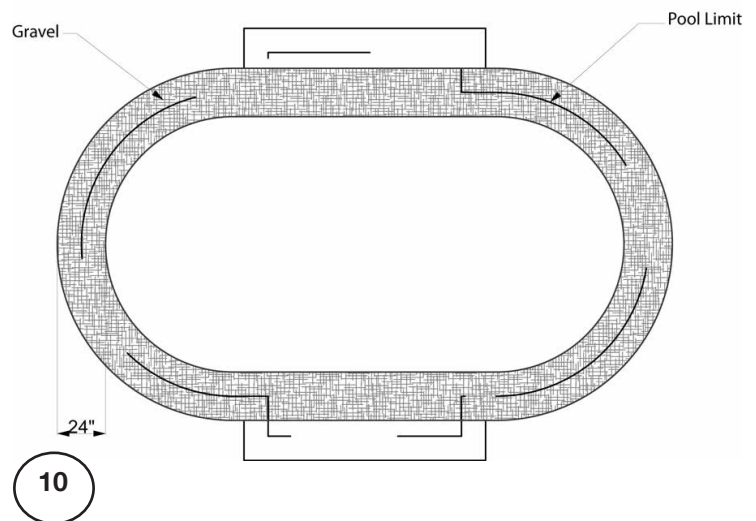
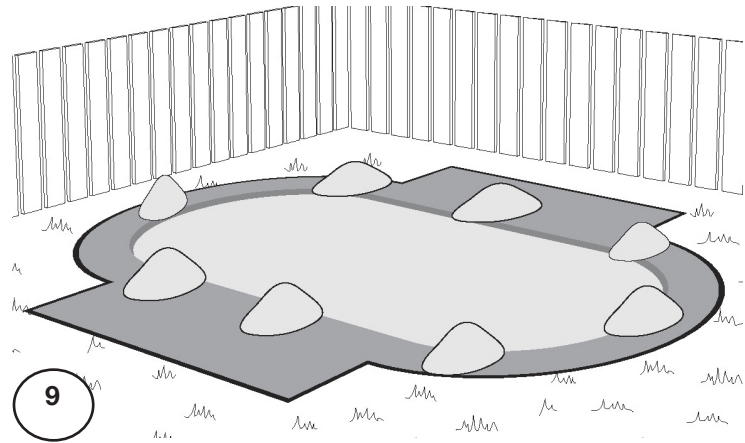
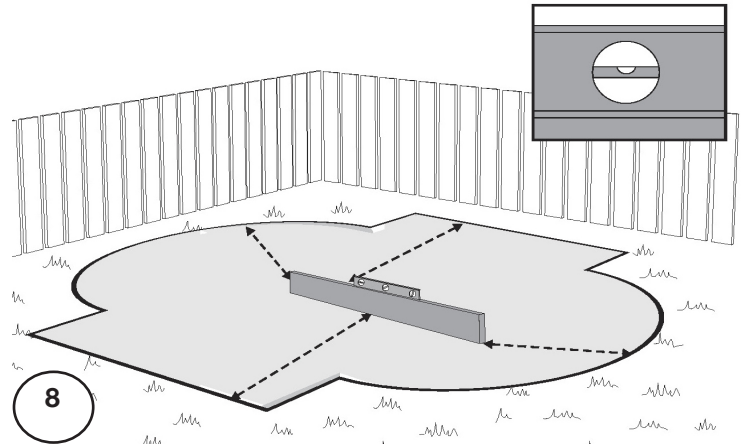
Section 1

GENERAL INSTRUCTIONS - GIBRALTAR OVAL POOLS GROUND PREPARATION

B. CONT. PREPARE THE FOUNDATION OF YOUR POOL

3. Make the area flat and level

- Remove all the high spots with a shovel, hoe or rake. To make sure your pool is stable, compact the ground well before adding the sand. Be prepared to hire earth moving equipment if you need to level a large area. Remember, your pool must be level across the diameter of the pool. **(Image 8)**
- Small dips and hollows may be filled in, but the soil must be hard-packed with a tamping tool or a soil compactor.
- Take material such as rock dust or fine mortar that can conform a solid, permanent base and deposit this material around the rim of the basin. **(Image 9)**
- The material used should be spread around the perimeter of the pool to a width of 24" (60cm) and a thickness of 2" (5cm). **(Image 10)**
- Recheck the outer perimeter of the oval shape, where the pool wall will be placed. Compact the ground and make sure there are no high or low spots. The bottom edge of the pool wall must rest flat on the ground and have no gaps under it.



Helpful Hint:
Use the optical level to ensure that the ground is perfectly flat and level.

Important Note:
Your pool must be perfectly level. Take the time you need to be sure your foundation is perfectly level.

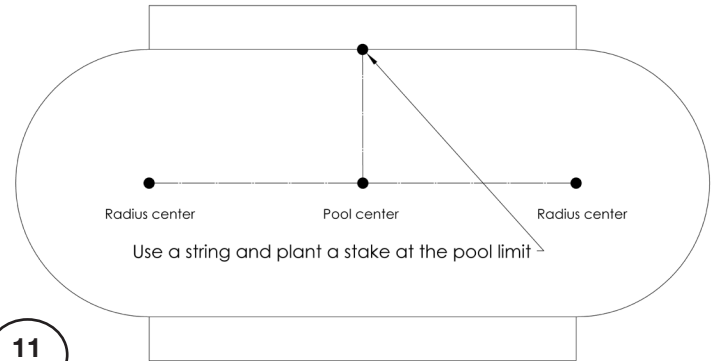
Section 1

GENERAL INSTRUCTIONS - GIBRALTAR OVAL POOLS GROUND PREPARATION

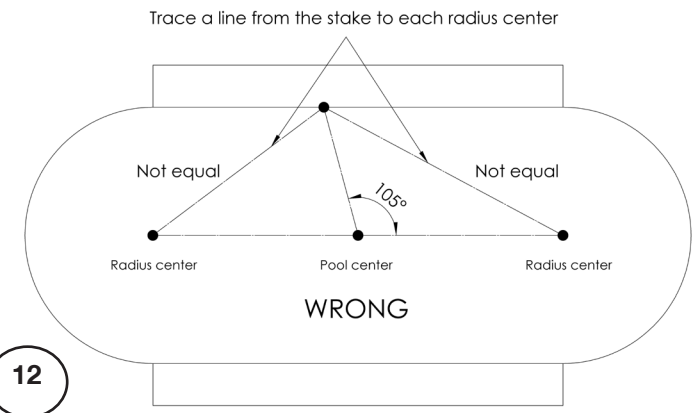
C. GROUND PREPARATION FOR THE BUTTRESS

4. Measuring for the buttress trenches

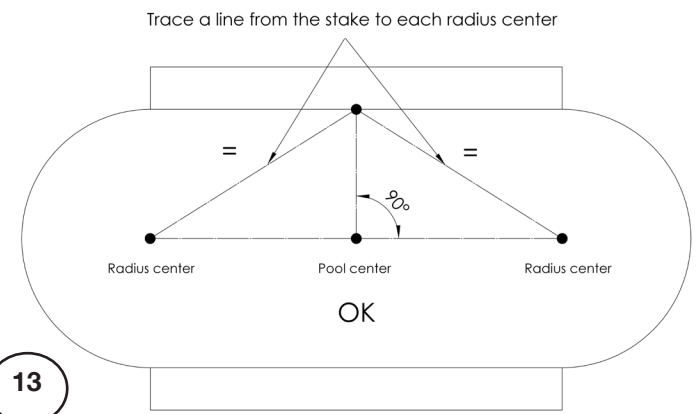
a. In order to measure where trenches need to be dug for the placement of the buttress, you must first draw a perpendicular line in order to create a perfect 90 degree angle. From the pool center, trace a straight line to the oval perimeter. **(Image 11)**



b. In order to ensure that your line is perpendicular, measure from each radius center to the top of your line. The measurement should be exactly the same on each side. If not, adjust until both are the same and you will now have a perfect perpendicular line, therefore creating a perfect 90 degree angle. **(Images 12 & 13)**



c. Repeat the first two steps to create a perpendicular line in order to create a perfect 90 degree angle for the other side of the oval pool.



Important Note:

It is very important that when you follow the instructions on the next page, that you apply the next steps to only one side of the pool at a time. It is imperative that you follow the next steps in order.

Section 1

GENERAL INSTRUCTIONS - GIBRALTAR OVAL POOLS GROUND PREPARATION

C. CONT. GROUND PREPARATION FOR THE BUTTRESS

5. Digging the buttress trenches

Odd number of trenches;

- a. If your oval pool contains an even number of buttresses, please proceed with next step b. If your oval pool contains an odd number, position the buttress temporarily on the straight center line from the middle. **(Image 14)** *Continue to step c. Note: Odd number means the total of sections on one side, for example a 12 x 24 pool has Odd number.*

Even number of buttresses:

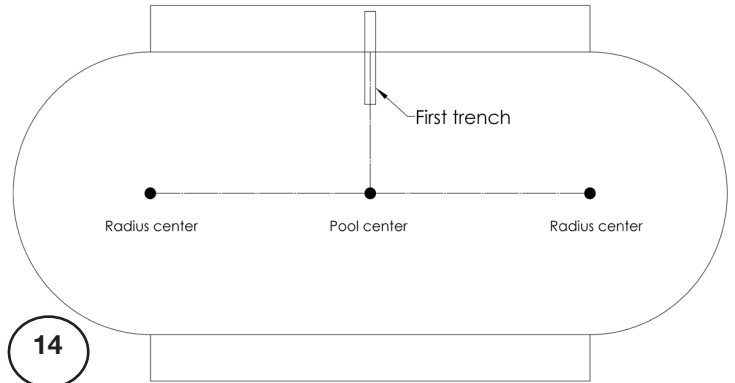
- b. If your oval pool contains an even number of buttresses, measure from the center line out the required measurement as per your footprint, see the last pages in this section 1. Position the buttress temporarily off the straight center line from the middle. **(Image 15)** *Continue to step c. Note: Even number means the total of sections on one side, for example a 15 x 30 pool has Even number.*
- c. Carefully dig out the trench. **DO NOT** dig the trenches too large or too deep; the ground around the edges of each trench must remain **firm** and undisturbed. **(Image 16)**



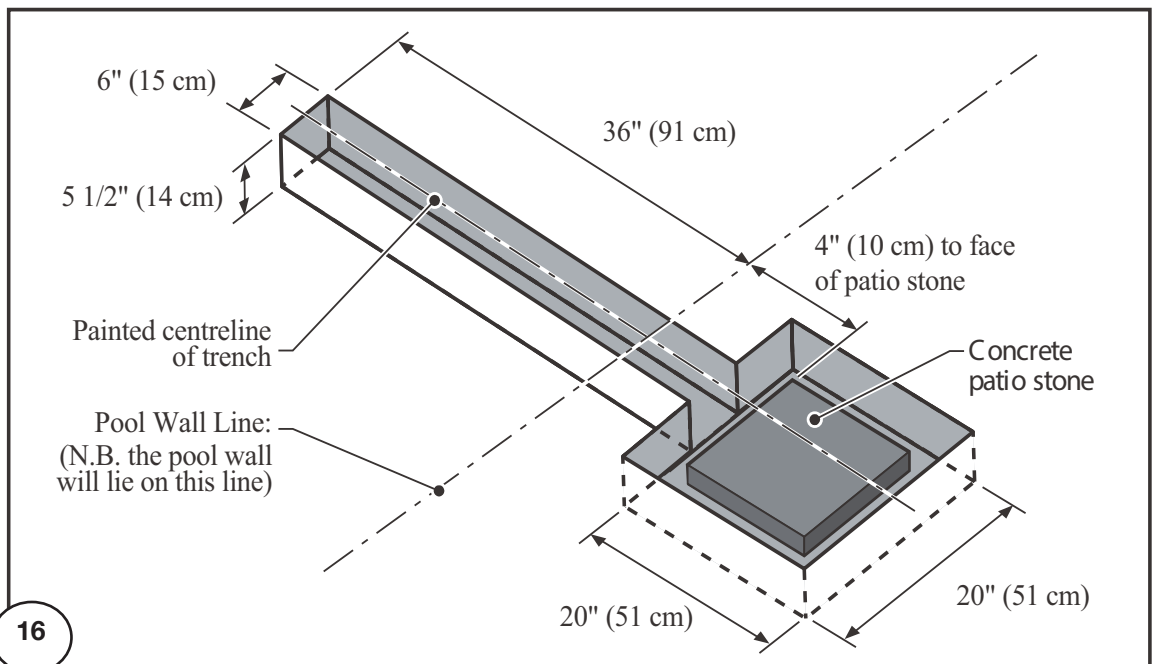
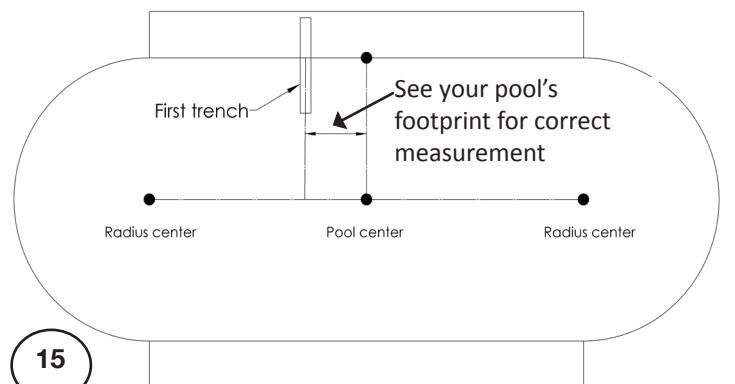
Important Note:

This first buttress that you install will be the reference to install the remaining buttresses, therefore ensure that measurements and placements are exactly where they need to be. **VERIFY YOUR POOL'S FOOTPRINT!**

Odd number of sections



Even number of sections

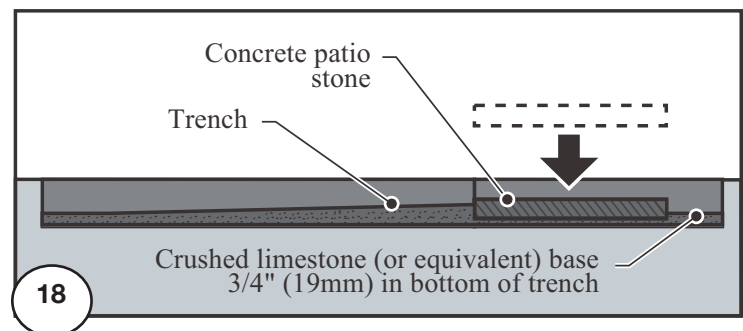
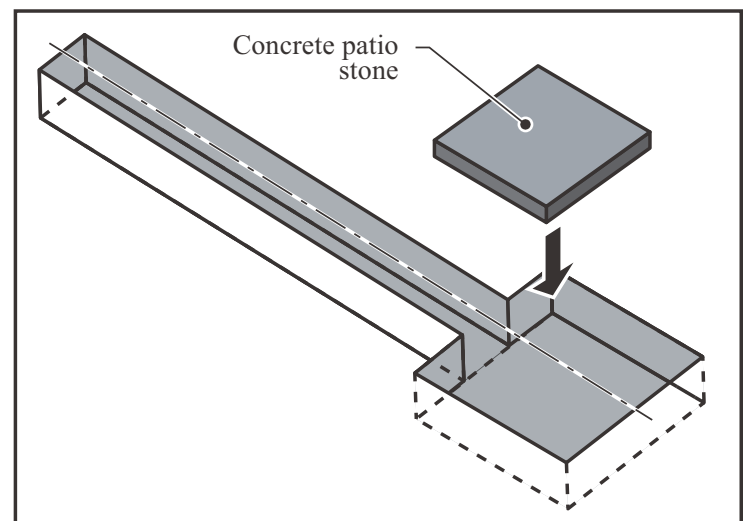
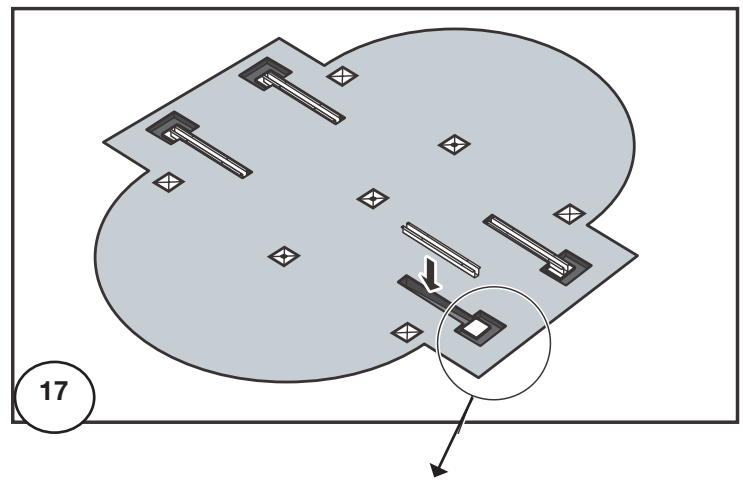


Section 1

GENERAL INSTRUCTIONS - GIBRALTAR OVAL POOLS GROUND PREPARATION

C. CONT. GROUND PREPARATION FOR THE BUTTRESS

- d. The bottom plates for the straight section must be at the same level with the crushed stone. Spread a layer of crushed limestone (or equivalent) 3/4" (19 mm) thick into the bottom of each trench. Pack firmly. If you do not put crushed stone, understand that the bottom plates all around the pool must be at the same level. The warranty will void if you do not comply with this requirement
- e. Place a concrete patio stone 12" x 12" square x 2" thick (30 x 30 x 5 cm) into the wide part of each trench, on top of the limestone layer. **Make sure** it is **LEVEL** and positioned correctly. (Images 17 & 18)



Important Note:

Crushed limestone or equivalent **must** be used instead of brick sand or vermiculite to backfill the base U-channels. The level of compaction achieved by using crushed limestone or equivalent is superior to that of brick sand or vermiculite.

Section 1

GENERAL INSTRUCTIONS - GIBRALTAR OVAL POOLS GROUND PREPARATION

C. CONT. GROUND PREPARATION FOR THE BUTTRESS

6. Assemble Buttresses for Base Channels

- Add another layer of crushed limestone (or equivalent) 1" (25mm) thick into the bottom of each trench, and around the patio stones. Pack firmly. *(Image 19)*
- In each trench, measure 32" (81 cm) from the **Pool Wall Line** to the end of the channel. Carefully add more limestone (or equivalent) to the trench to create a **slope** so that the vertical will raise slightly toward the interior of the pool in order to counterbalance the weight of the water. *(Image 20)*

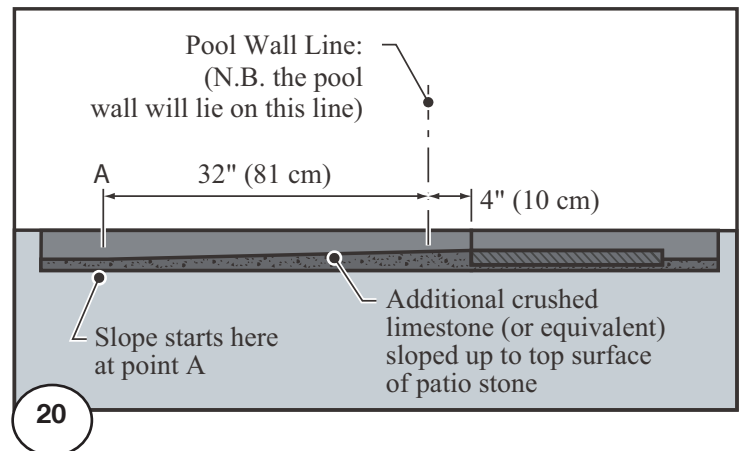
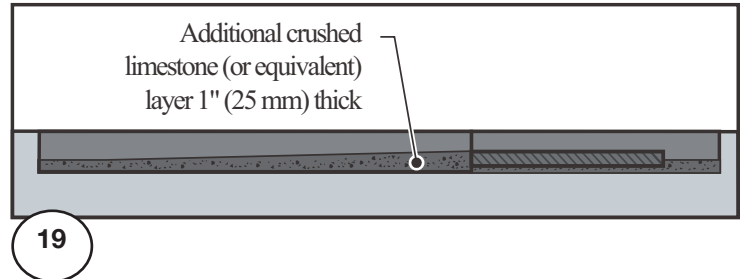
Important: When you are finished, the long, narrow part of the trench will have a bottom that slopes downward to the centre of the pool. Work very carefully to get the proper angle of slope. This slope allows the buttresses to angle inwards slightly before the pool is filled with water. The sides will become vertical after the pool is filled.

Important Note:

This first buttress that you install will be the reference to install the remaining buttresses, therefore ensure that measurements and placements are exactly where they need to be. **VERIFY YOUR POOL'S FOOTPRINT!**

Caution:

Make sure there is adequate drainage in the bottom of each trench and along the sides of the pool area. There must be adequate drainage for a safe and secure pool foundation.



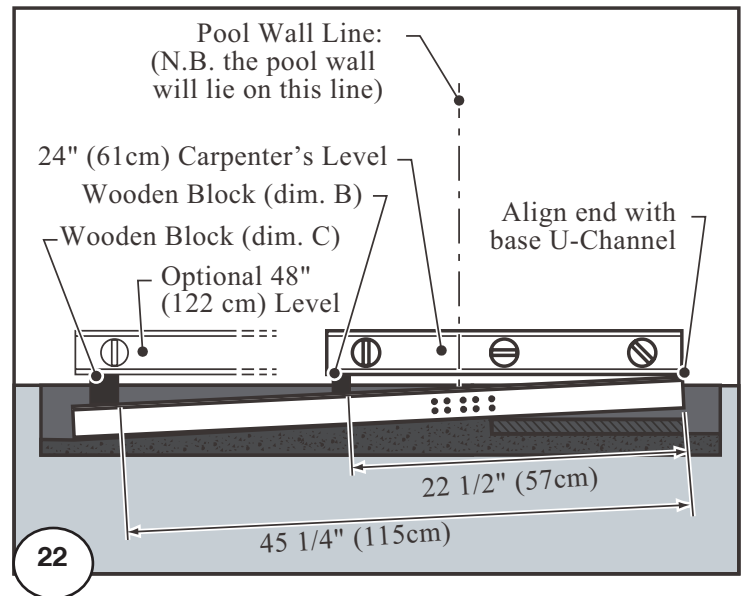
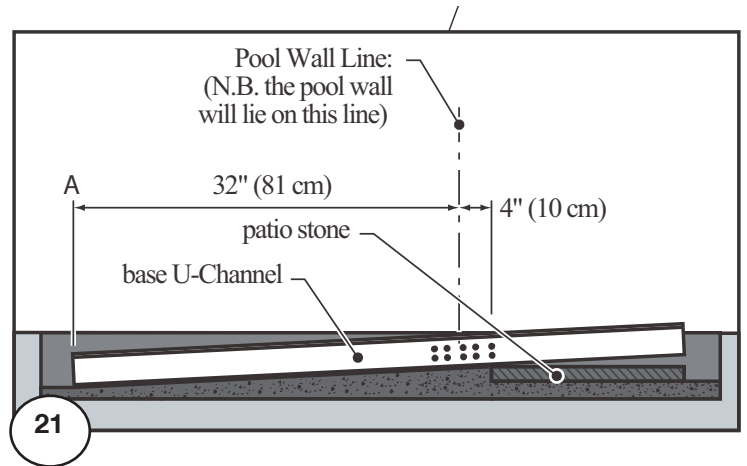
Section 1

GENERAL INSTRUCTIONS - GIBRALTAR OVAL POOLS GROUND PREPARATION

C. CONT. GROUND PREPARATION FOR THE BUTTRESS

- c. Place one base U-channel into one of the trenches and move it so that the end of the base U-channel is aligned exactly with the back edge of the concrete patio stone. **(Image 21)**
- d. To make sure the base U-channel is at the proper angle, place a small block of wood at 22-1/2" (57 cm) from the end of the base U-channel (refer to the chart below for dimensions B or C of the small block of wood) and set a 24" (61 cm) carpenter's level in place with one end aligned with the end of the base U-channel. Adjust the crushed limestone (or equivalent) base as required until the reading is perfectly level. **(Image 22)**

Pool Size	Dimensions	
	B	C
12' x 18' (3,66m x 5,49m)	3/8" (10mm)	3/4" (19mm)
12' x 24' (3,66m x 7,32m)	3/8" 10mm)	3/4" (19mm)
15' x 24' (4,57m x 7,32m)	1/2" 13mm)	1" (25mm)
15' x 30' (4,57m x 9,14m)	1/2" (13mm)	1" (25mm)
18' x 33' (5,49m x 10,05m)	5/8" (16mm)	1-1/4" (32mm)



Hint:

Use one end of a 2-by-4 as a tamping tool. Spray the crushed limestone with water before packing it down hard.



Hint:

If you have 48" (122 cm) carpenter's level instead, place the block of wood of dimension C at 45-1/4" (115 cm) from the end of the base U-channel.

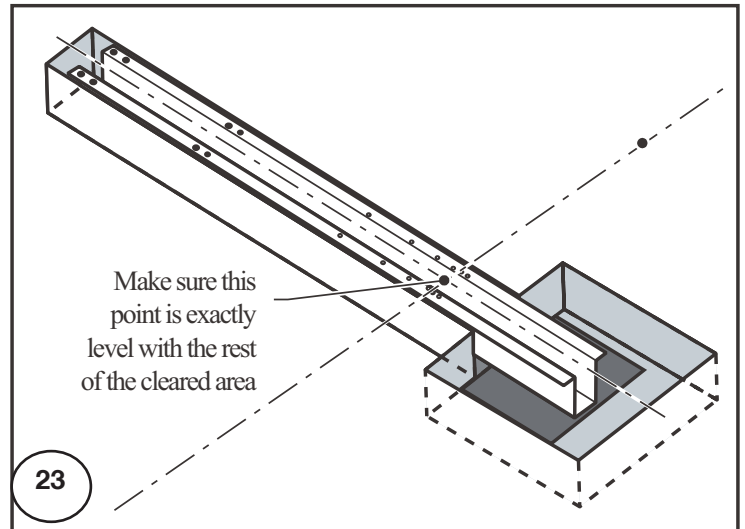
Section 1

GENERAL INSTRUCTIONS - GIBRALTAR OVAL POOLS GROUND PREPARATION

C. CONT. GROUND PREPARATION FOR THE BUTTRESS

- e. Repeat steps 5 (a) or (b), depending if you have odd or even number of trenches up to step 6 (b) for the rest of the base U-channels and trenches. Remember to please follow your pool's footprint at the end of this Section 1 for measurements on the placement of the trenches. *(Image 23)*

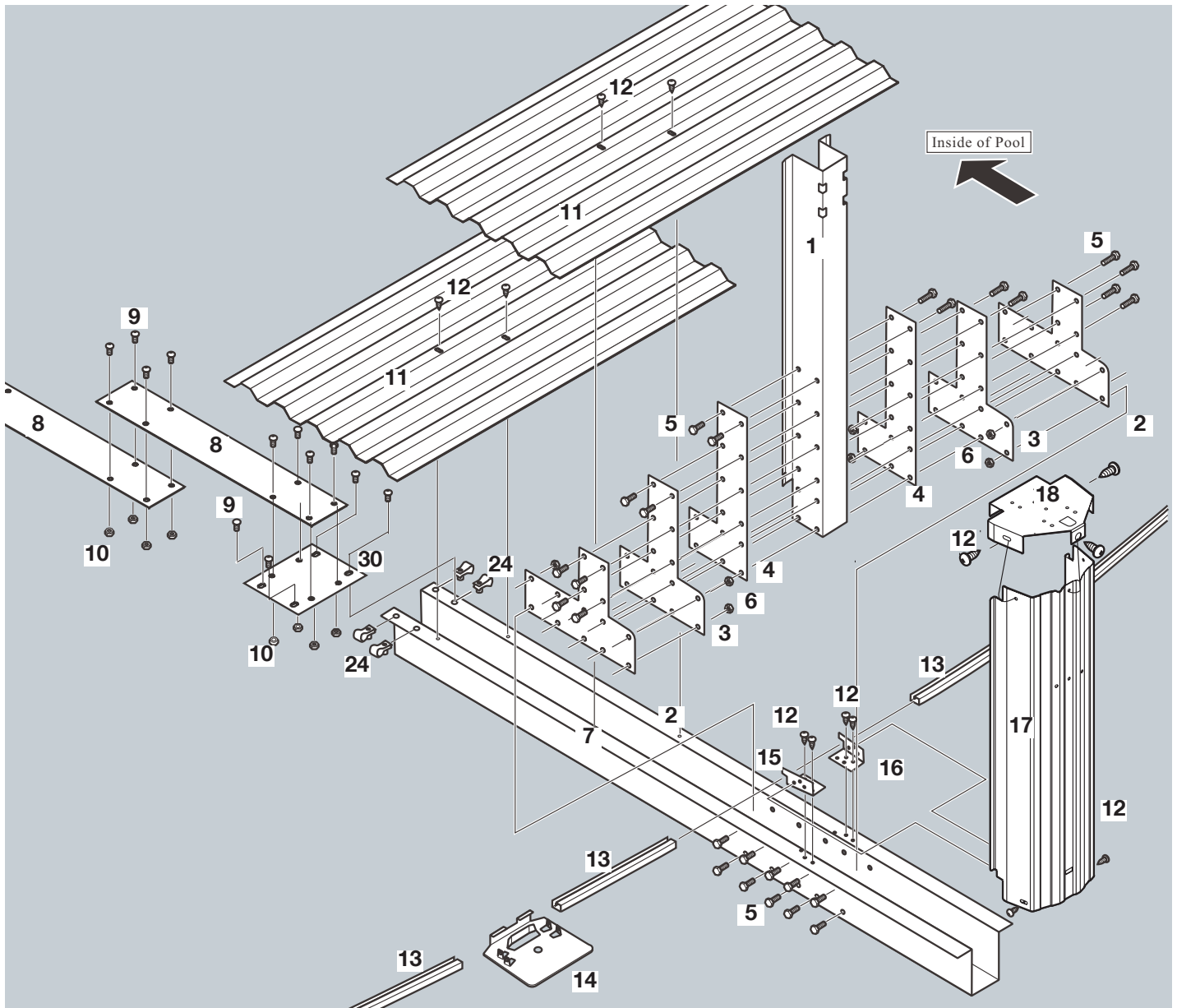
- f. Use the carpenter's level to make sure everything is exactly level with the rest of the cleared area and the base plates (the base plates will be installed in Section 2). If it is not, the base U-channel must be removed and the crushed limestone (or equivalent) and patio stone adjusted.



**Section
1**

**GENERAL INSTRUCTIONS - GIBRALTAR OVAL POOLS
GROUND PREPARATION**

OVERVIEW OF BUTTRESS ASSEMBLY





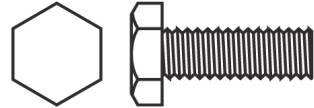

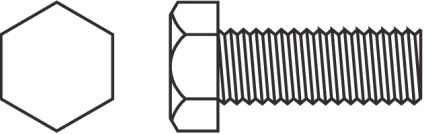

KEY	Part Name	KEY	Part Name
7	Base U-Channel	18	Top plate
1	Upright Channel	30	Strap Bracket
4	Inside 'L' Bracket	-	Hardware bag, 1 per set of buttresses; includes;
3	Middle 'T' Bracket	9	1/4 "-20NCx3/4" hex bolt
2	Outside 'T' Bracket	10	1/4 "-20NCx3/4" serrated flange hex nut
11	Hold Down Plate (Pressure plate)	5	3/8"-16NCx1"hex bolt
8	Strap	6	3/8"-16NC serrated flange hex nut
13	Curved Bottom Rail	12	No. 12x5/8" self-tapping screw
14	Base Plate	24	1/4"-20NC nut clip
15	Left Vertical clip		
16	Right Vertical clip		
17	Vertical (Upright)		

**Section
1**

**GENERAL INSTRUCTIONS - GIBRALTAR OVAL POOLS
GROUND PREPARATION**

HARDWARE FOR GIBRALTAR POOLS

HARDWARE FOR GIBRALTAR POOLS

DESCRIPTION	ACTUAL SIZE	TOOL REQUIRED FOR INSTALLATION
SELF TAPPING SCREW #12 x 5/8 INCH LONG		PHILLIPS NUMBER 3 SCREWDRIVER OR RED HANDLE #2 ROBERTSON SCREWDRIVER
SERRATED FLANGE HEXAGON NUT 1/4-20		7/16 INCH WRENCH OR SOCKET
HEXAGON HEAD BOLT 1/4-20 x 3/4 INCH LONG		7/16 INCH WRENCH OR SOCKET
SERRATED FLANGE HEXAGON NUT 3/8-16		9/16 INCH WRENCH OR SOCKET
HEXAGON HEAD BOLT 3/8-16 x 1 INCH LONG		9/16 INCH WRENCH OR SOCKET
NUT CLIP 1/4-20		NO TOOL REQUIRED

GENERAL INSTRUCTIONS - GIBRALTAR OVAL POOLS GROUND PREPARATION

D. ASSEMBLING THE BUTTRESS

1. Assembling the Buttresses

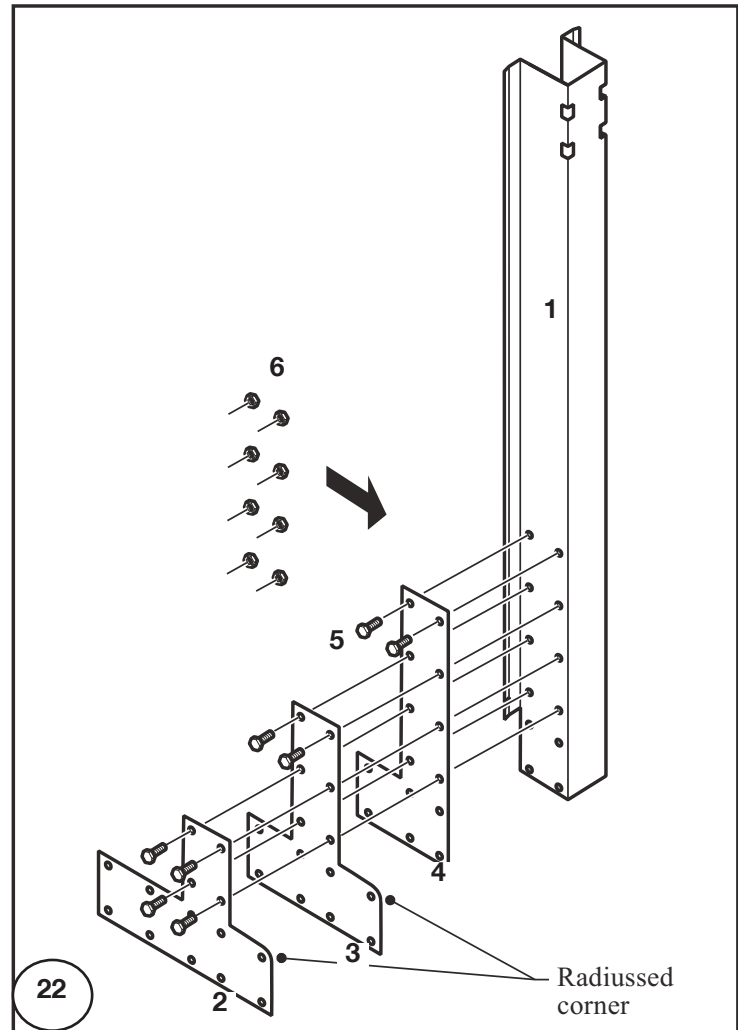
- Assemble one upright channel (key 1) with two T-plates (key 2 and 3) and one L-plate (key 4) (one each of sizes short, medium and tall) on one side using eight bolts (key 5) and nuts (key 6). The bolt heads should be on the outside of the T- and L-plates and the nuts on the inside of the upright channel. Do not tighten the bolts yet. Be sure to follow the drawing carefully to have the T- and L-plates and upright channel facing the right direction (the T-plates each have a radiused corner; this radiused corner must FACE AWAY from the open side of the upright channel). *(Image 22)*
- Repeat step (a) for the other side of the upright channel with three more T- and L-plates.
- Insert the upright channel and T- and L-plate assembly into a base U-channel (key 7). The open side of the upright channel will face toward the inside of the pool. Line up the holes and fasten with twenty bolts (key 5) and nuts (key 6). Do not tighten the bolts yet. *(Image 23)*

Important Note:

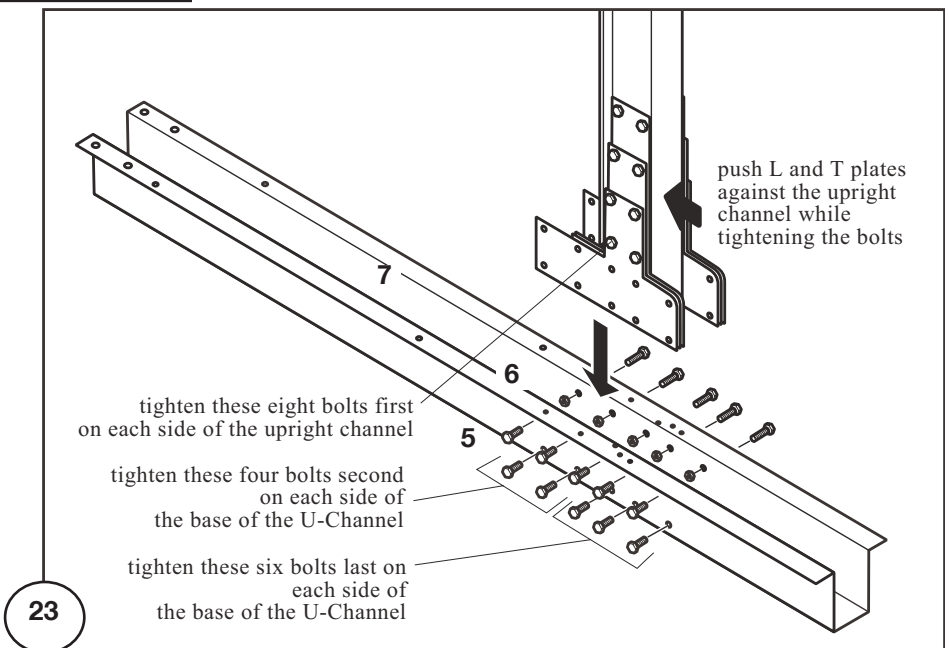
Lift the base U-channel out of the trench first to fasten it to the vertical U-channel and T-plates.

Important Note:

Failure to properly install and tighten all of the bolts and nuts may void the warranty on your pool.



- First, tighten the eight bolts and nuts on each side of the upright channel. Second, tighten the four bolts and nuts on each side of the base U-channel. Lastly, tighten all the rest of the bolts and nuts (see diagram 23). **Important:** for a proper fit, you must push the T- and L-plates against the upright channel while tightening the bolts and nuts (see diagram 23).



Section 1

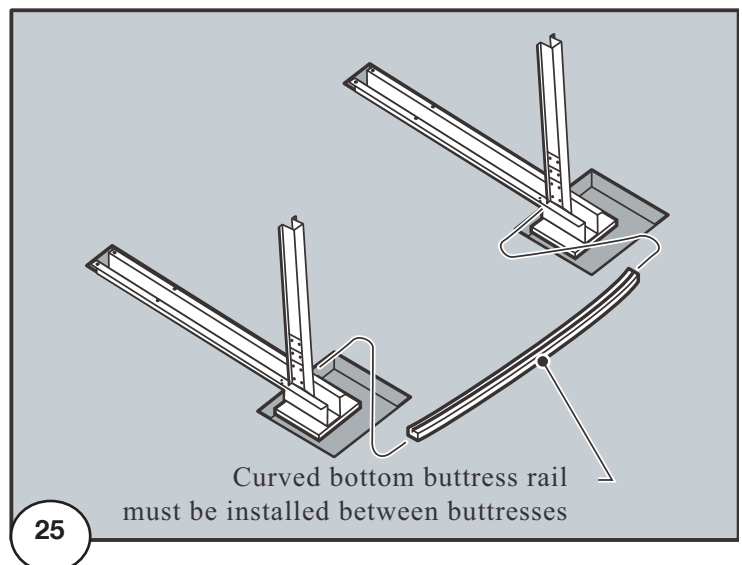
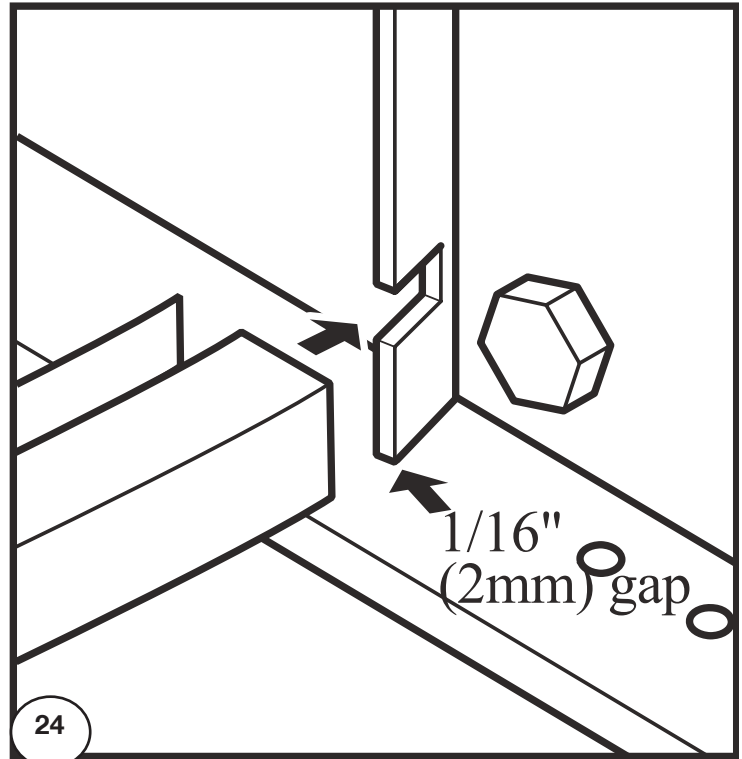
GENERAL INSTRUCTIONS - GIBRALTAR OVAL POOLS GROUND PREPARATION

D. CONT. ASSEMBLING THE BUTTRESS

- e. Make sure there is approximately 1/16" (2 mm) gap under the tab at the bottom of each vertical U-channel so the bottom rails slide on easily. *(Image 24)*
- f. Make sure the buttress assembly is returned to the correct position in the trench with the end of the base U-channel aligned exactly with the back edge of the concrete patio stone. The buttress may need to be propped upright to prevent it from falling over while the rest of the pool is assembled. Repeat steps 1(a) to (f) for the rest of the pool is assembled. Repeat steps 1(a) to (f) for the rest of the upright and base U-channels.

2. Fill the Base U-Channels

- a. Stand at each corner of the pool and check the alignment of the base channels with an optical level and make sure everything is perfectly aligned.
- b. Jump to Section 2 and complete steps 1(a) and (b), this will allow you to install the bottom buttress rails, ensuring the correct distance between the buttresses before the trenches are filled in. Important: complete only steps 1(a) and (b) for now, and then continue with step 2(c) below; you will complete the rest of Section 2 later. *(Image 25)*

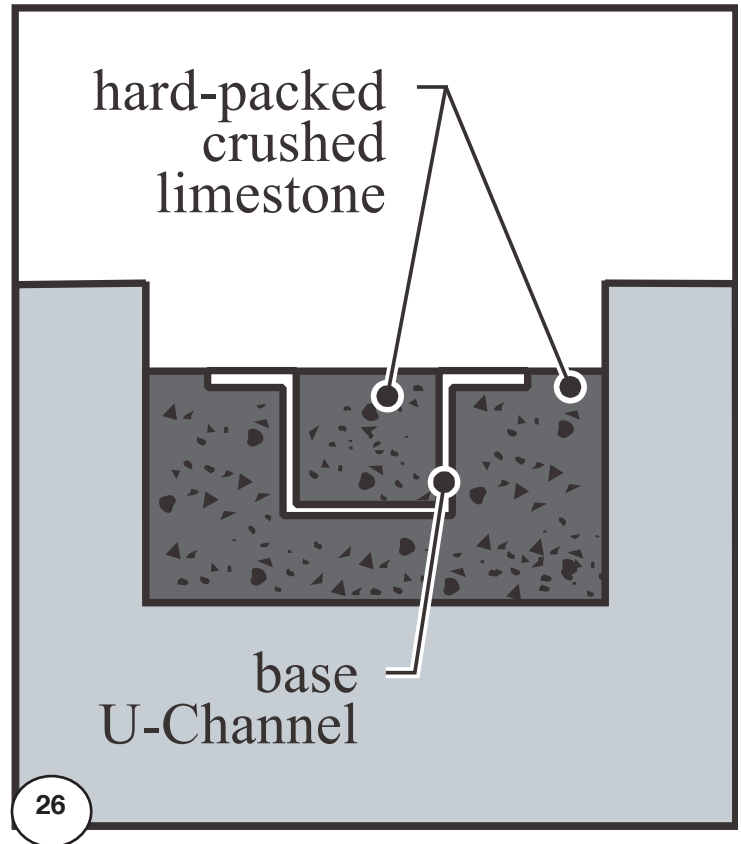


Section 1

GENERAL INSTRUCTIONS - GIBRALTAR OVAL POOLS GROUND PREPARATION

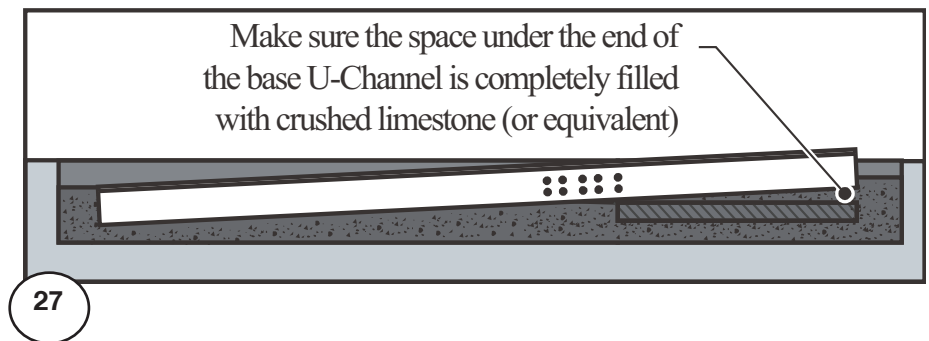
D. CONT. ASSEMBLING THE BUTTRESS

- c. Fill the base U-channels and the trenches they sit in with crushed limestone (or equivalent). Fill them up to the top edges of the base U-channels. If the limestone is dry spray it with some water to help with the compaction. Stand on the base U-channel and tamp down the limestone until a solid base is achieved (by standing on the base U-channel your weight helps prevent the base U-channel from moving). Add additional limestone as required. *(Image 26)*
- d. Make sure the space under the end of the base U-channel is completely filled with crushed limestone. *(Image 27)*
- e. Recheck the distances between the base U-channels and make any adjustments you need to make sure the spacing is exactly right.



Important Note:

Crushed limestone or equivalent must be used instead of brick sand or vermiculite to backfill the base U-channels. The level of compaction achieved by using crushed limestone or equivalent is superior to that of brick sand or vermiculite.



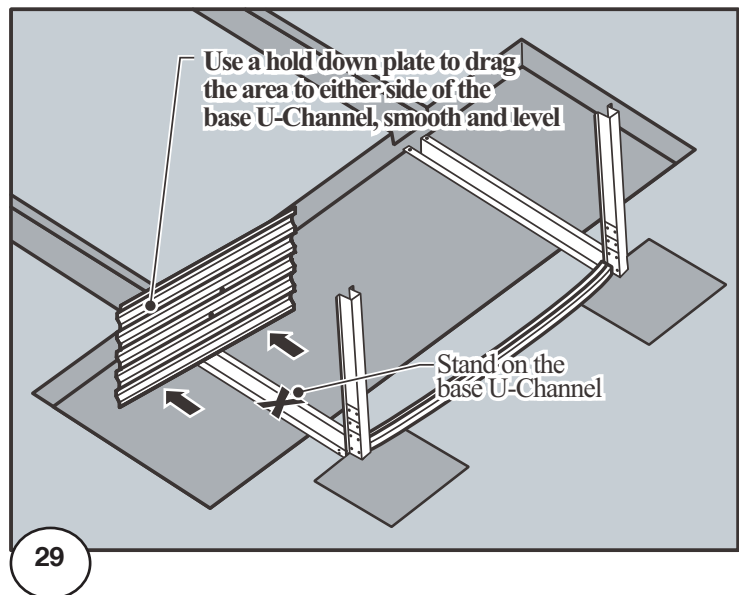
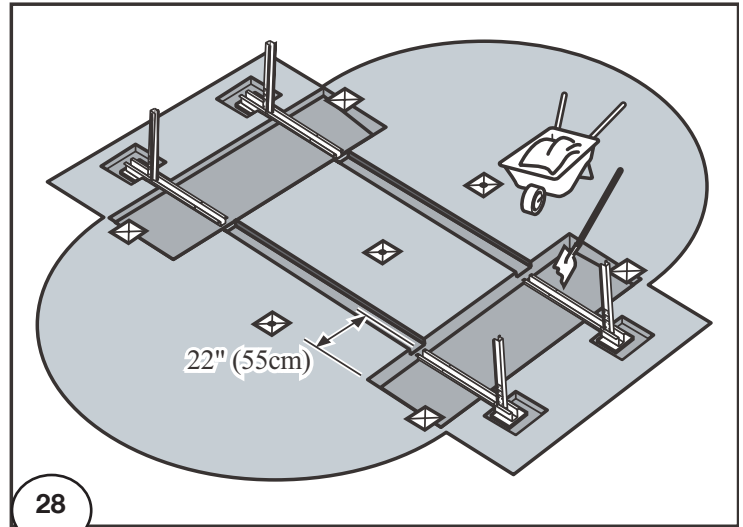
Section 1

GENERAL INSTRUCTIONS - GIBRALTAR OVAL POOLS GROUND PREPARATION

D. CONT. ASSEMBLING THE BUTTRESS

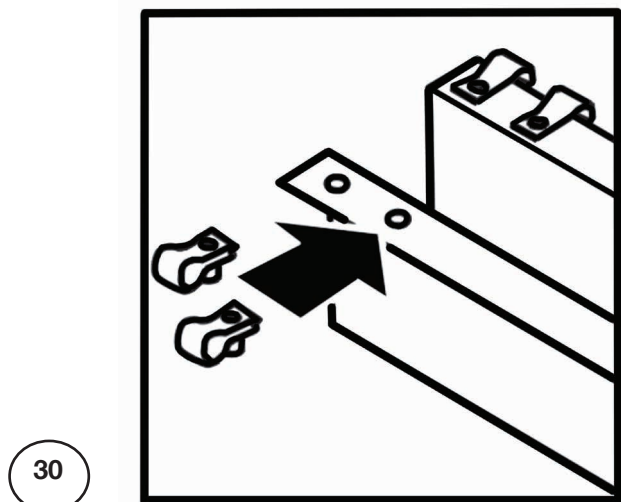
3. Install Straps, Strap Brackets and Hold Down Plates

- Gently flatten any kinks or bends out of the straps.
- Dig out the area between and to the sides of the base U-channels, down to a level exactly even with the tops of each base U-channel and 22" (55 cm) beyond the sides of each base U-channel. *(Image 28)*
- Dig a shallow trench, 3" (8 cm) wide and approximately 1-1/2" (4 cm) deep for each strap (make the trench as deep as the top of the base U-channel), aligned with the centreline of the trench, from one side of the pool to the other.
- Using a straight edge (you can use one of the hold down plates), drag along the top edge of the base channel to ensure the ground is level to the base U-channel. If it is not level, spread some crushed limestone on the ground. Stand on the base U-channel and tamp it down hard with a tamping tool. Verify the ground is level to the base U-channel by running the straight edge along the top edge of the base U-channel again. Repeat this step until the ground is level. *(Image 29)*
- Slide four nut-clips (key 24) onto one end of the base channel assembly *(Image 30)* so they line up over the holes in the base channel. The threaded parts of the nut-clips should point down.



Important Note:

Brick sand or vermiculite cannot be used on any part of the buttress installation process. These materials have poor compaction properties that can cause problems with the buttresses after the pool has been filled with water

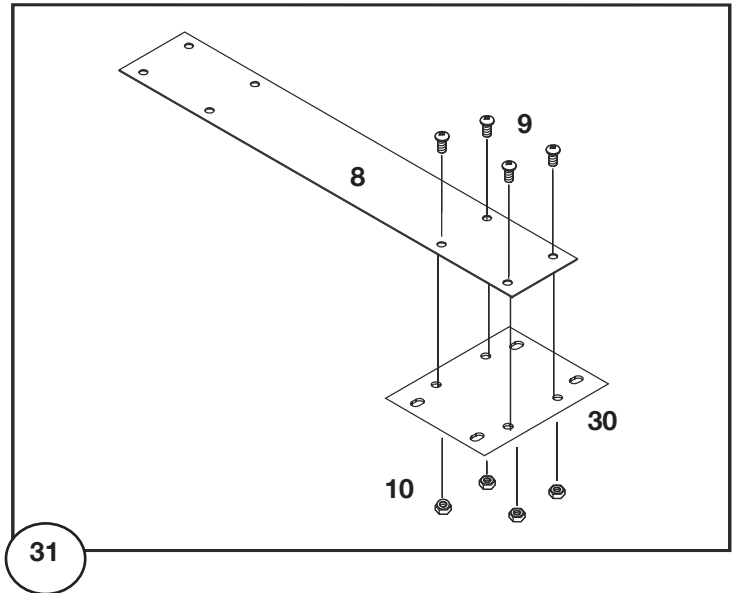


Section 1

GENERAL INSTRUCTIONS - GIBRALTAR OVAL POOLS GROUND PREPARATION

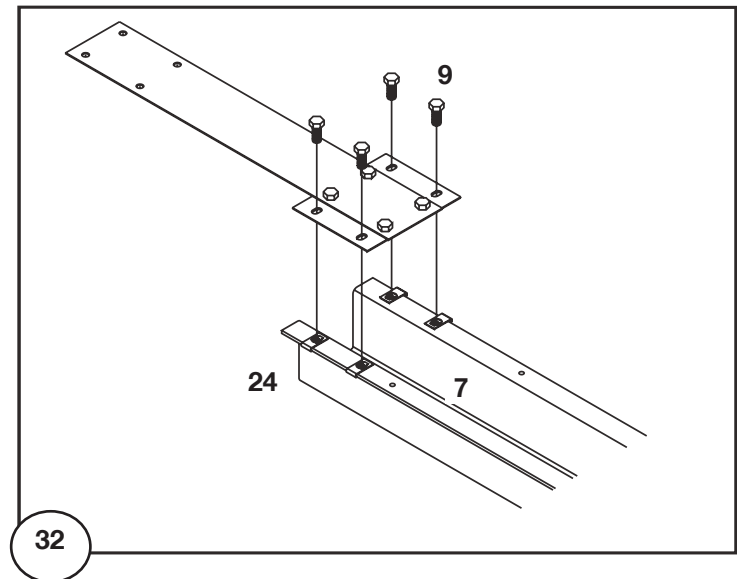
D. CONT. ASSEMBLING THE BUTTRESS

- f. Join one end of a strap (key 8) to a strap bracket (key 30). The strap should be on top of the strap bracket. Line up the holes (be sure to use the holes shown in Image 10) and fasten together with four hex head bolts (key 9) and four nuts (key 10). The bolt heads must be on the top and the nuts underneath. Tighten the bolts. *(Image 31)*
- g. Line up the holes in the strap bracket (be sure to use the holes shown in Image 32) with the nut clips (key 24) at the end of the base U-channel (key 7) and fasten together with four hex head bolts (key 9) Tighten the bolts snugly but do not overtighten.
- h. Repeat steps (d to g) for the corresponding strap and strap bracket on the opposite side of the pool.



Important Note:

Failure to properly compact this material may result in the crushed limestone being compacted instead by the weight of the water after the pool is filled, resulting in indentations in the bottom of the pool.

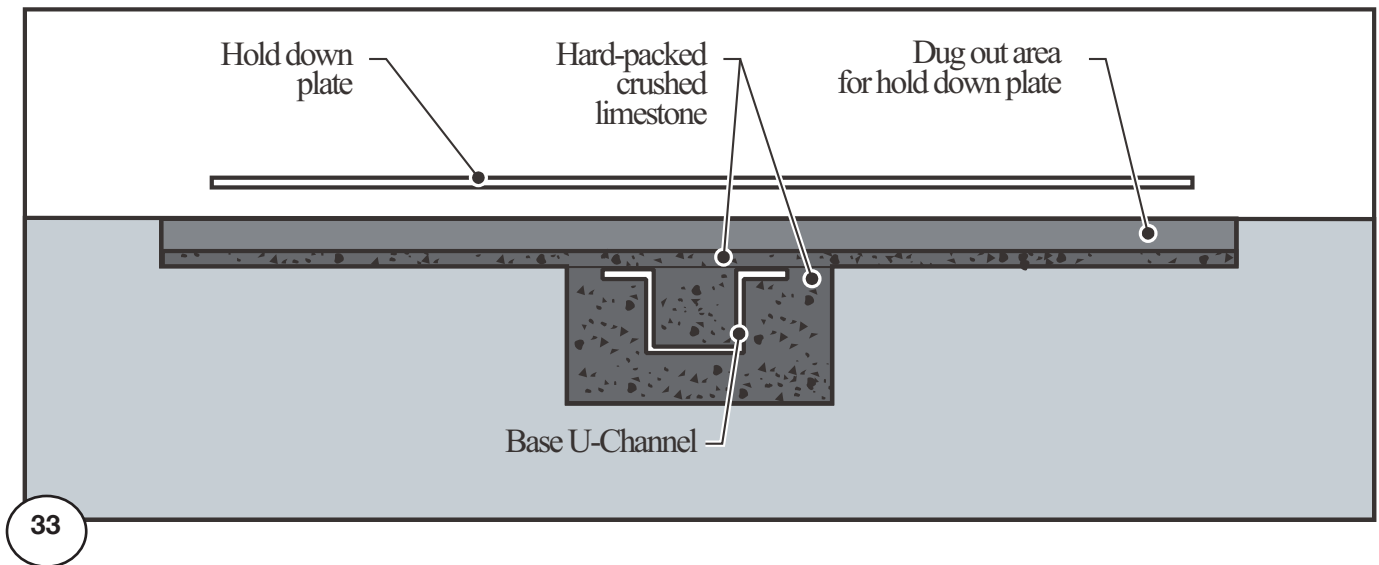


Section 1

GENERAL INSTRUCTIONS - GIBRALTAR OVAL POOLS GROUND PREPARATION

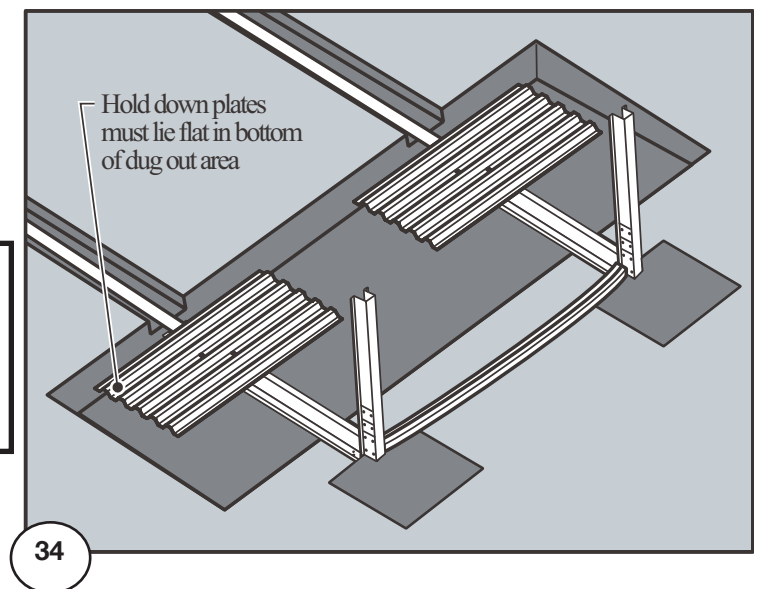
D. CONT. ASSEMBLING THE BUTTRESS

- i. Spread 3/4" (19 mm) of crushed limestone (or equivalent) over the dug out area for the hold down plate closest to the centre of the pool. Do not spread any material over the top of the base U-channel. Place the hold down plate as shown in *Image 33* on top of the crushed limestone.



Important Note:

Make sure each entire hold down plate lies completely flat in the area dug out explained in previous step 3 (d). The hold down plate must lie flat or it may lift and damage the pool liner after the pool is filled with water. (*Image 34*)

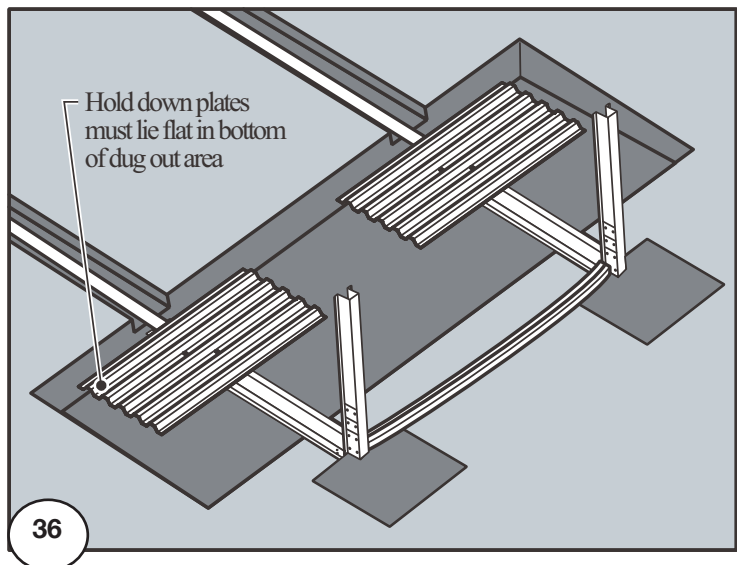
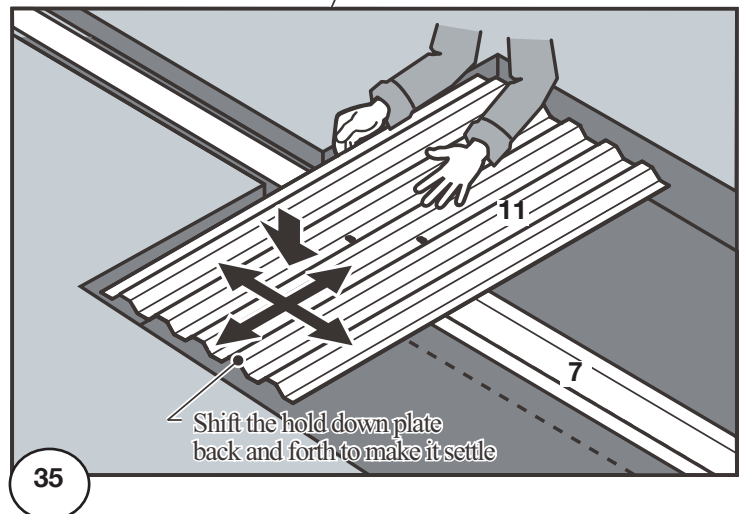
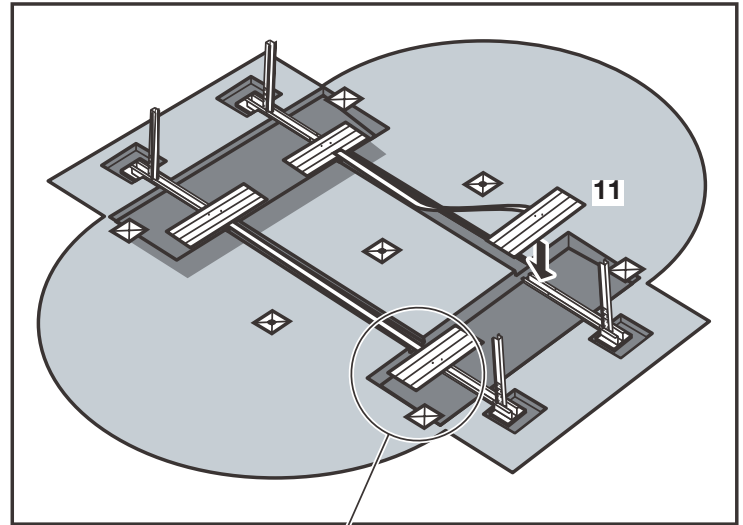


Section 1

GENERAL INSTRUCTIONS - GIBRALTAR OVAL POOLS GROUND PREPARATION

D. CONT. ASSEMBLING THE BUTTRESS

- j. Begin shifting the hold down plate in a forwards and backwards motion (*see Image 35*), while simultaneously applying a downward force on the hold down plate until the plate rests on top of the base U-channel. Check to see that the outside ends of the hold down plate have filled with material, and insert material into any open areas until they are full. This will prevent any low spots from forming around the hold down plates when the pool is filled with water.



ONCE AGAIN Important Note:

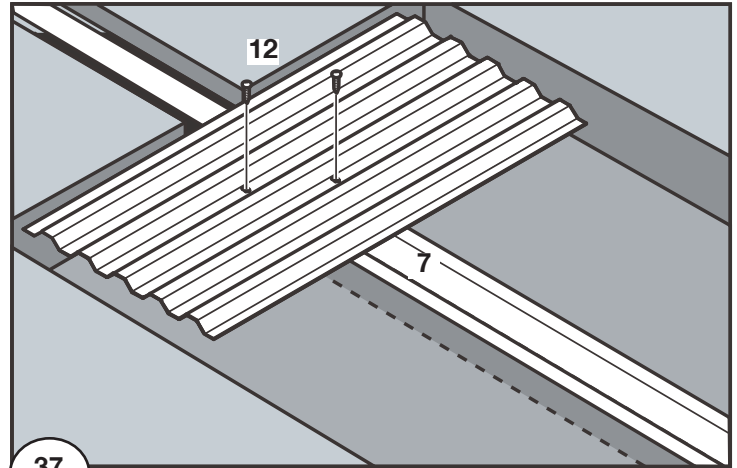
Make sure each entire hold down plate lies completely flat in the area dug out explained in previous step 3 (d). The hold down plate must lie flat or it may lift and damage the pool liner after the pool is filled with water. (*Image 36*)

Section 1

GENERAL INSTRUCTIONS - GIBRALTAR OVAL POOLS GROUND PREPARATION

D. CONT. ASSEMBLING THE BUTTRESS

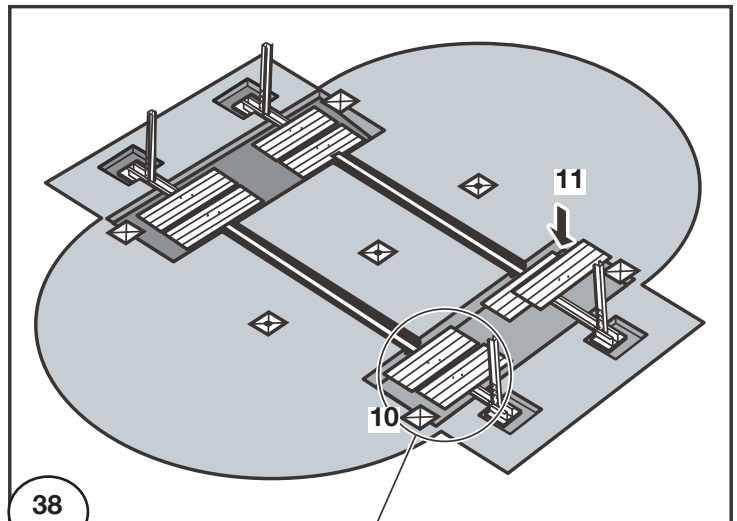
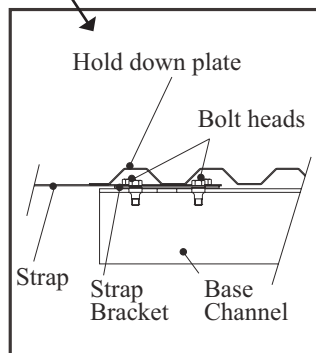
- k. Line up the holes in the hold down plate (be sure to use the holes shown in **Image 37**) with the holes in the base U-Channel (key 7) and fasten with two self-tapping screws.
- l. The hold down plates are installed on the base U-channels in pairs. Repeat steps (i) and (j) for the second hold down plate (key 11) on the base U-channel (key 7). Set the second plate so the flange overlaps the first hold down plate. Line up the holes in the hold down plate and base channel (**see Image 38 & 39**) and fasten with two self tapping screws (key 12). Tighten all of the screws. (**Image 40**)
- m. Repeat steps (i to L) on the opposite side of the pool.



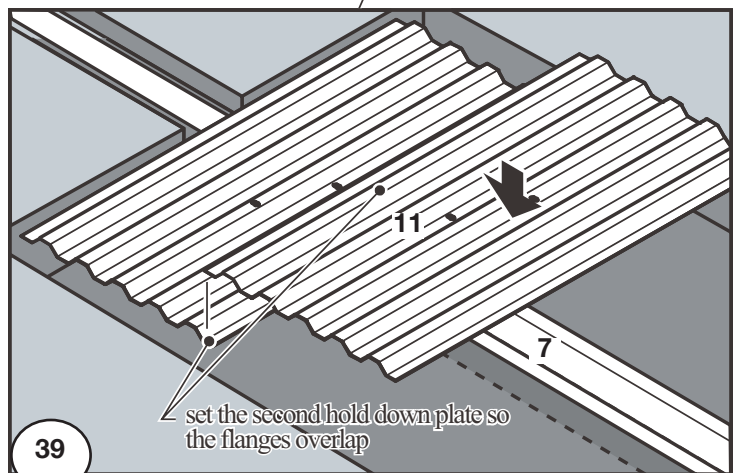
37

Important Note:

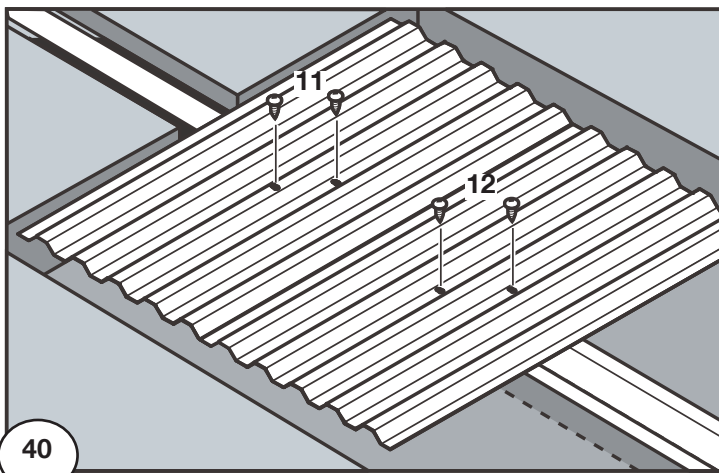
When lining up the holes in the base U-channel and the first hold down plate, ensure the bolt heads in the strap bracket are in the first two grooves of the hold down plate.



38



39



40

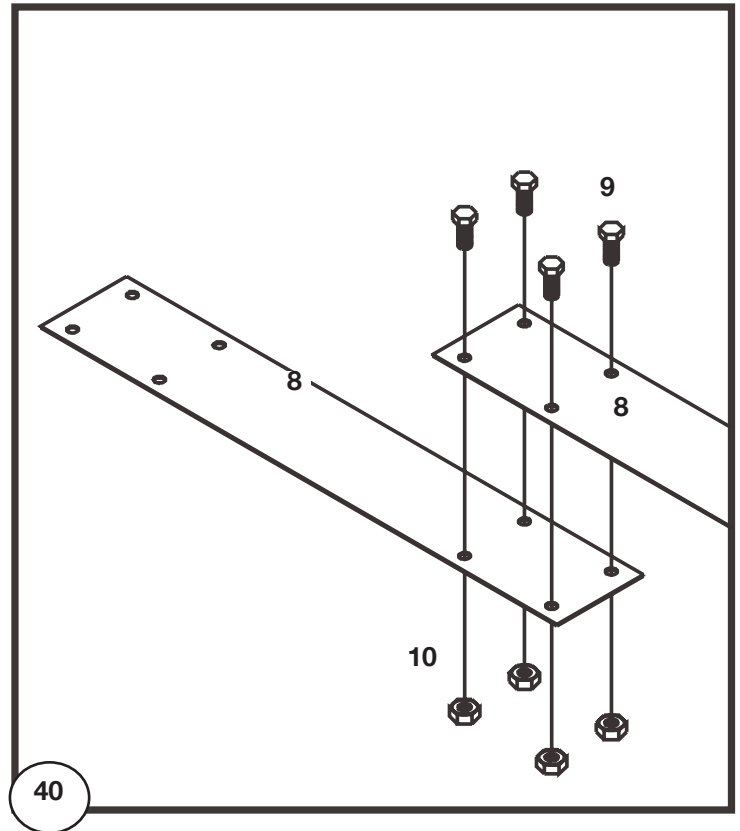
Section 1

GENERAL INSTRUCTIONS - GIBRALTAR OVAL POOLS GROUND PREPARATION

D. CONT. ASSEMBLING THE BUTTRESS

- m. Join the two straps already installed with any additional straps (key 8) together to make full-length straps, joining the two sides of the pool (Note: the 12 x 18 and 12 x 24 pools do not have any additional straps). Line up the holes and fasten together with four bolts (key 9) and four serrated nuts (key 10). The bolt heads must be on the top and the nuts underneath. Tighten the bolts. **(Image 40)**
- n. Repeat steps (b) through (m) for the rest of the buttresses and hold down plates. Tighten all of the bolts and screws.
- o. Once all the trenches are dug and buttresses with patio stones are installed. Remeasure each buttress to ensure that they are all straight and that the buttress is perpendicular.
- p. *Now add crushed stone around the buttress (do not cover) and be careful not to move the buttress. Take measurements at every upright and then check measurement again.

4. Proceed to Section 2 - Assembling the Pool Base



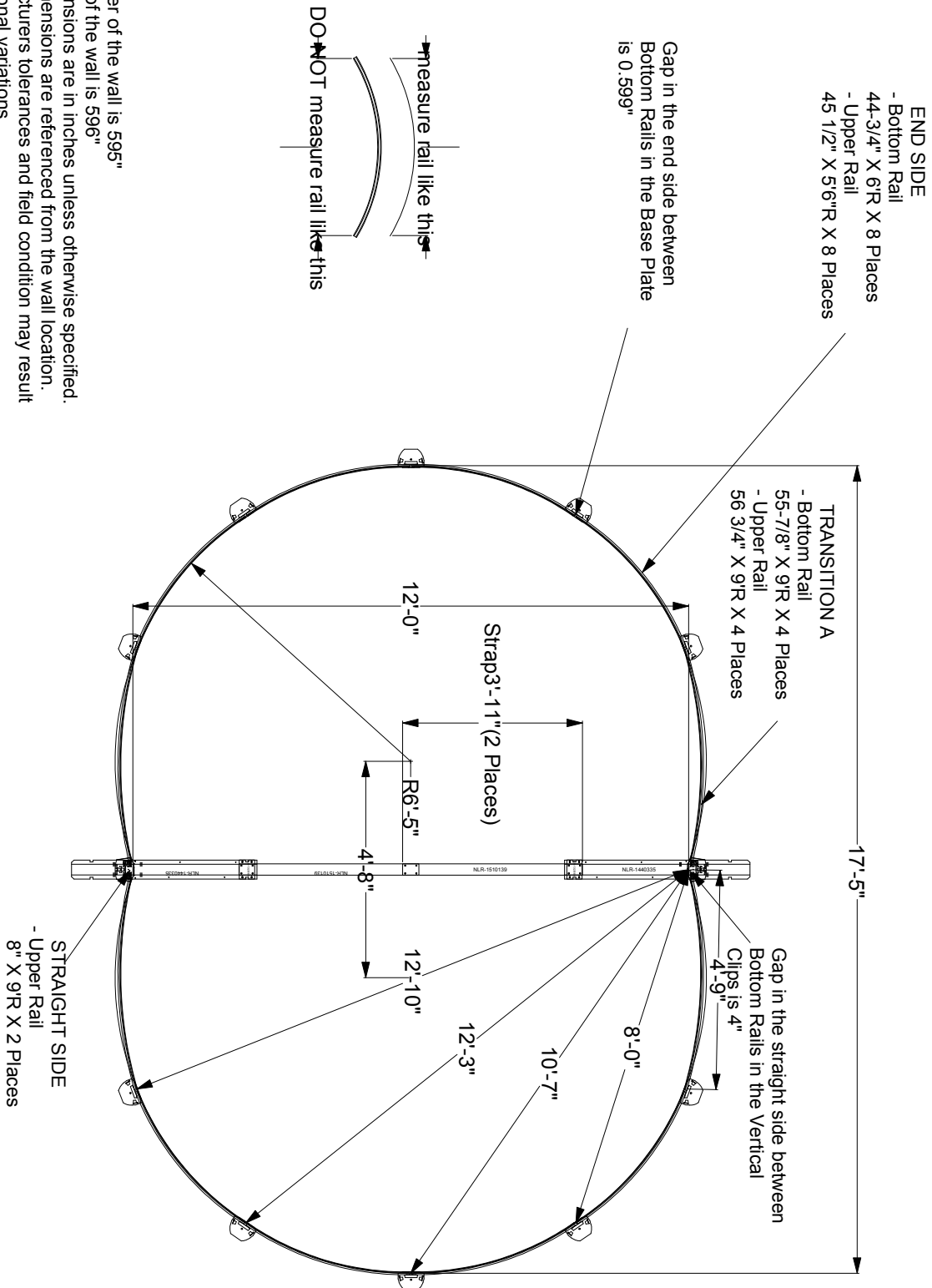
**THE FOLLOWING SECTION
CONTAINS YOUR POOL'S
FOOTPRINT**

Section 1

GENERAL INSTRUCTIONS - GIBRALTAR OVAL POOLS GROUND PREPARATION

OVAL FOOTPRINT - 12 x 18

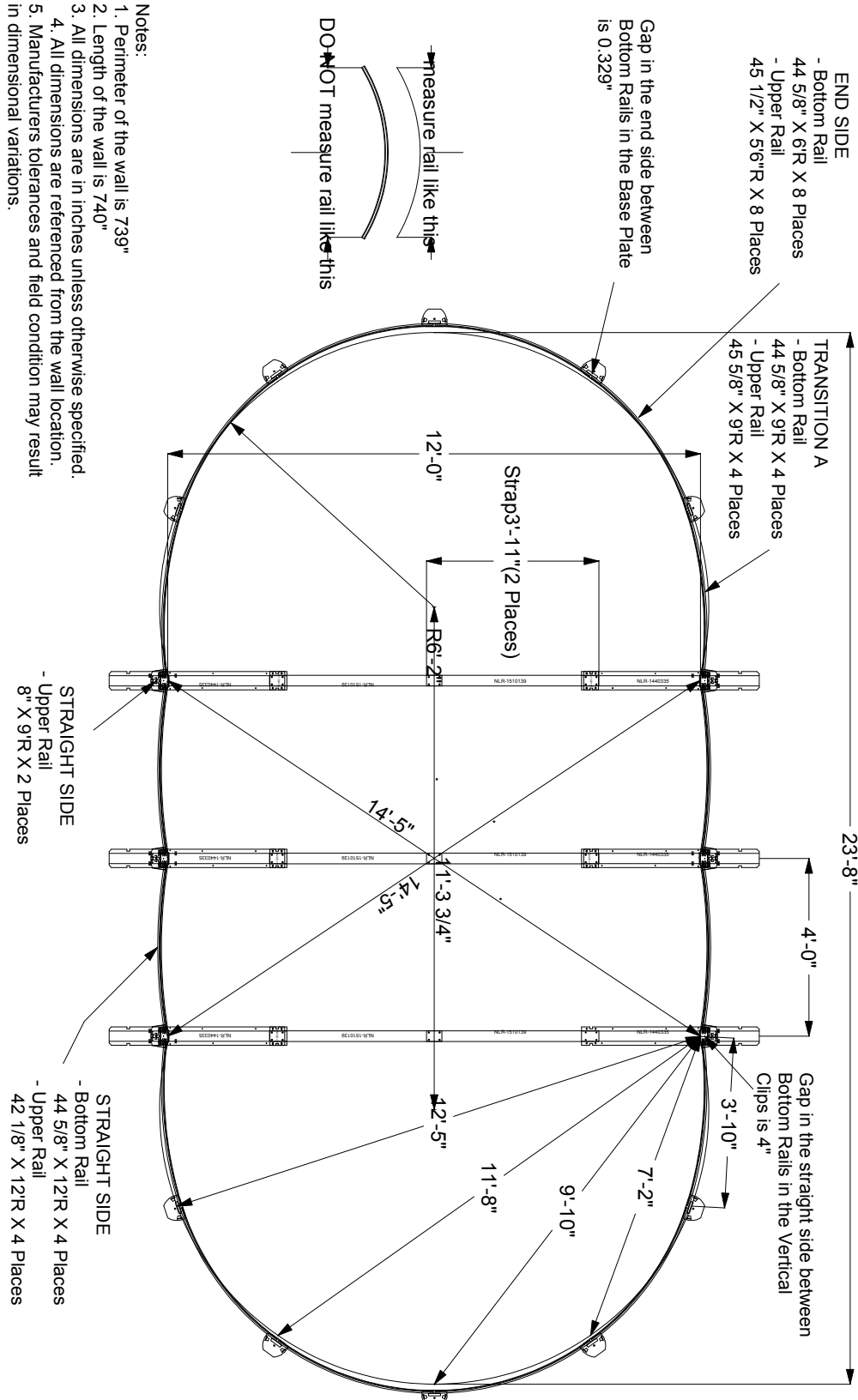
- Notes:
1. Perimeter of the wall is 595"
 2. Length of the wall is 596"
 3. All dimensions are in inches unless otherwise specified.
 4. All dimensions are referenced from the wall location.
 5. Manufacturers tolerances and field condition may result in dimensional variations.



Section 1

GENERAL INSTRUCTIONS - GIBRALTAR OVAL POOLS GROUND PREPARATION

OVAL FOOTPRINT - 12 x 24

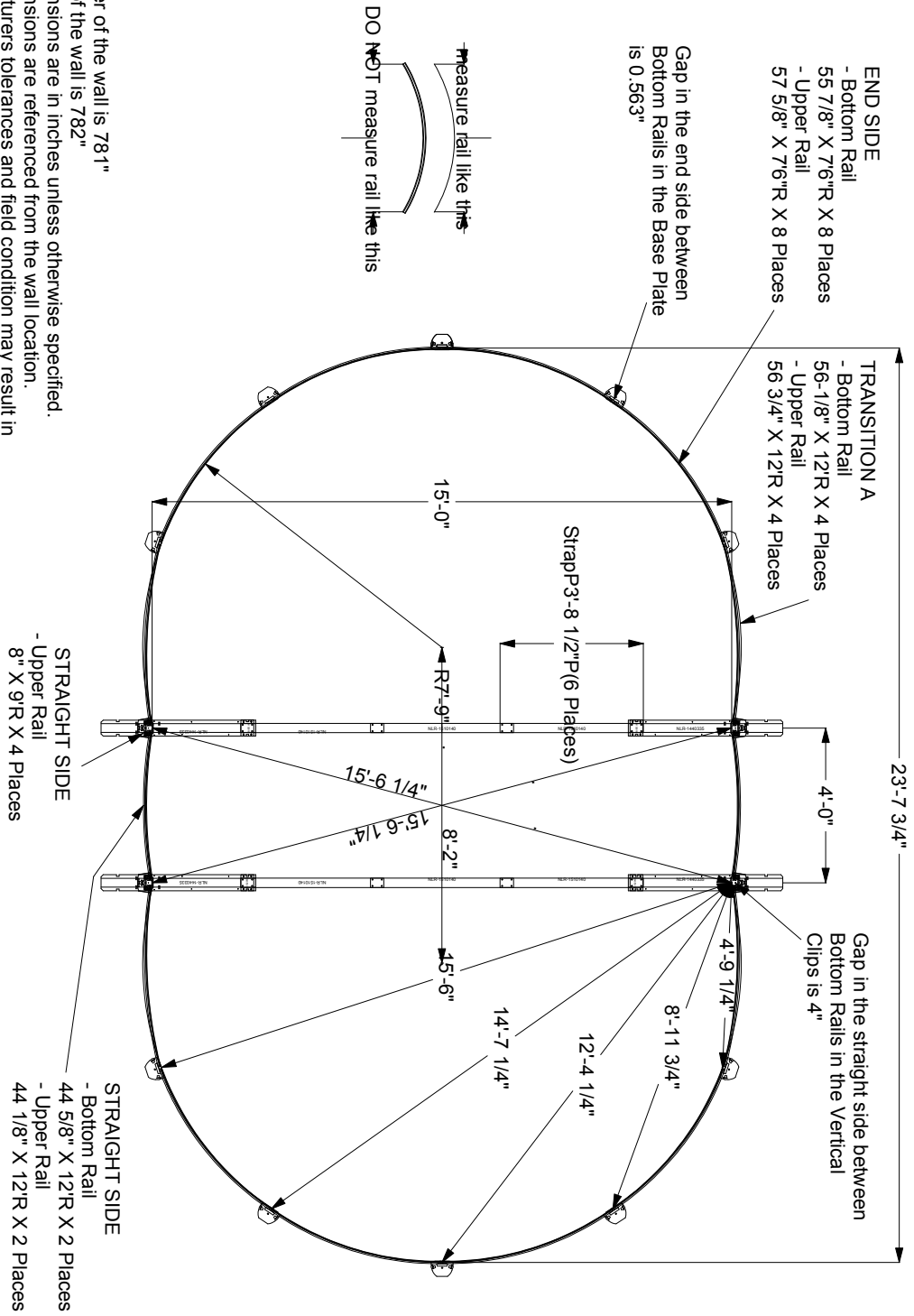


Section 1

GENERAL INSTRUCTIONS - GIBRALTAR OVAL POOLS GROUND PREPARATION

OVAL FOOTPRINT - 15 x 24

- Notes:
1. Perimeter of the wall is 78'1"
 2. Length of the wall is 78'2"
 3. All dimensions are in inches unless otherwise specified.
 4. All dimensions are referenced from the wall location.
 5. Manufacturers tolerances and field condition may result in dimensional variations.

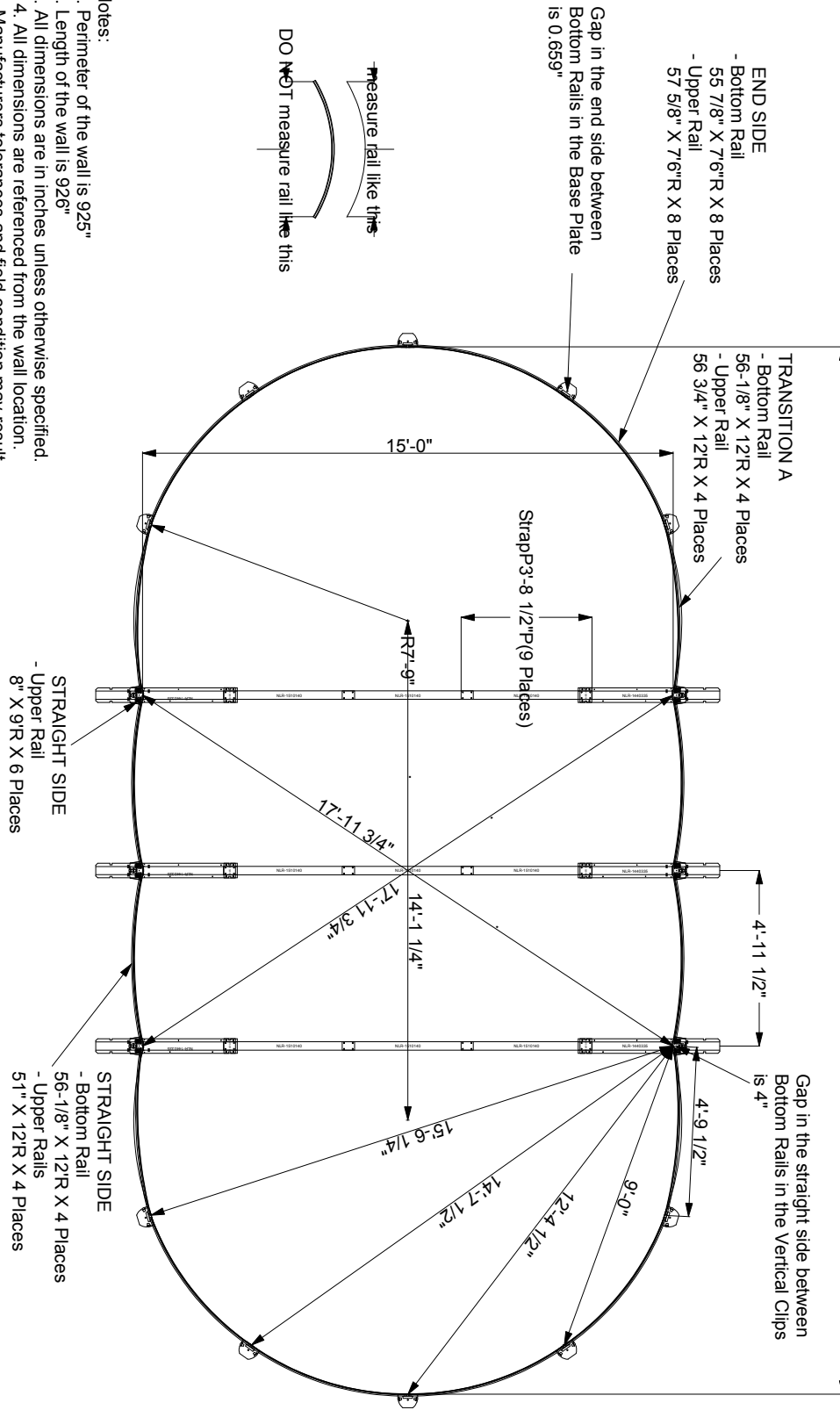


Section 1

GENERAL INSTRUCTIONS - GIBRALTAR OVAL POOLS GROUND PREPARATION

OVAL FOOTPRINT - 15 x 30

- Notes:
1. Perimeter of the wall is 925"
 2. Length of the wall is 926"
 3. All dimensions are in inches unless otherwise specified.
 4. All dimensions are referenced from the wall location.
 5. Manufacturers tolerances and field condition may result in dimensional variations.

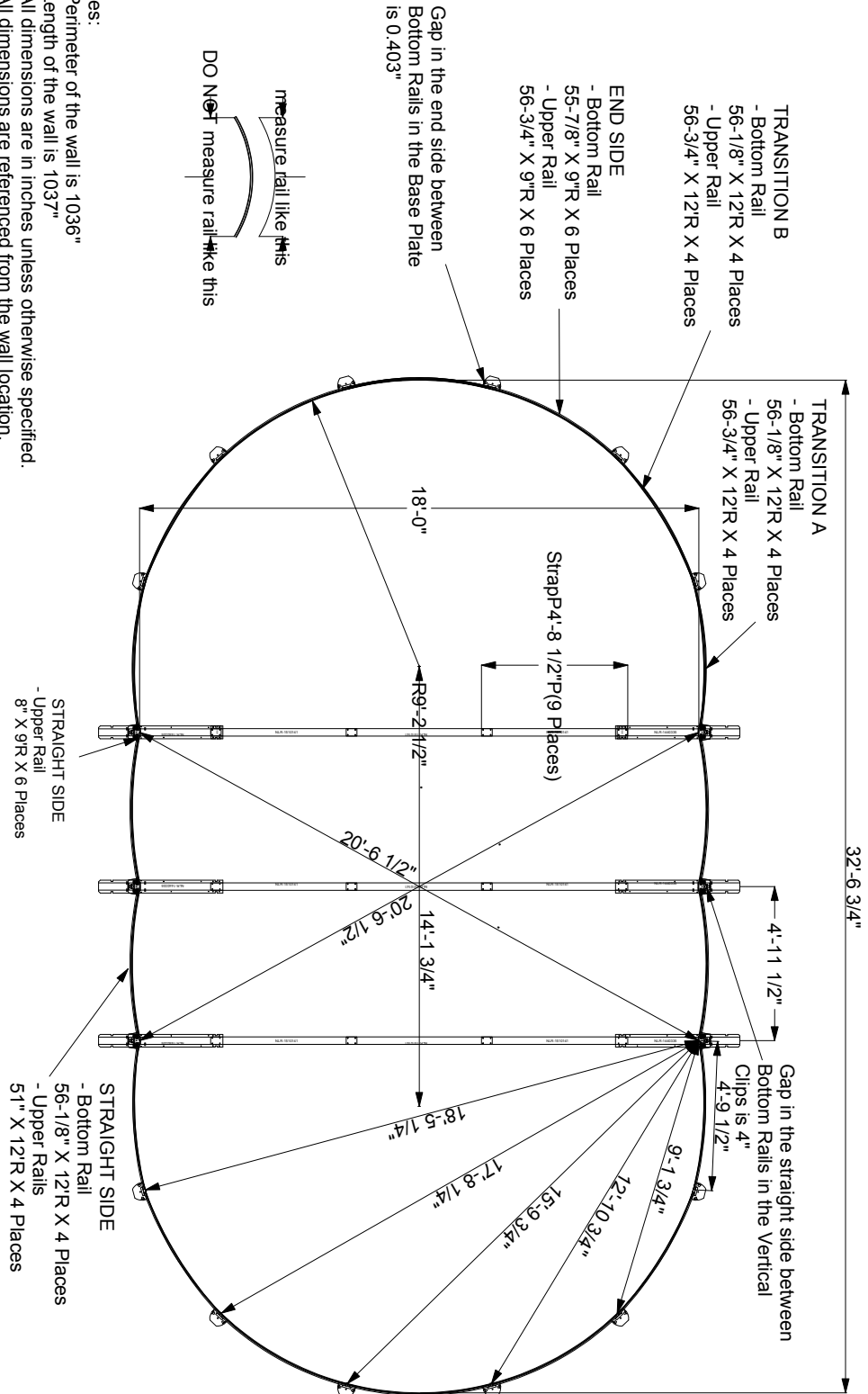


Section 1

GENERAL INSTRUCTIONS - GIBRALTAR OVAL POOLS GROUND PREPARATION

OVAL FOOTPRINT - 18 x 33

- Notes:
1. Perimeter of the wall is 1036"
 2. Length of the wall is 1037"
 3. All dimensions are in inches unless otherwise specified.
 4. All dimensions are referenced from the wall location.
 5. Manufacturers tolerances and field condition may result in dimensional variations.



Section 2

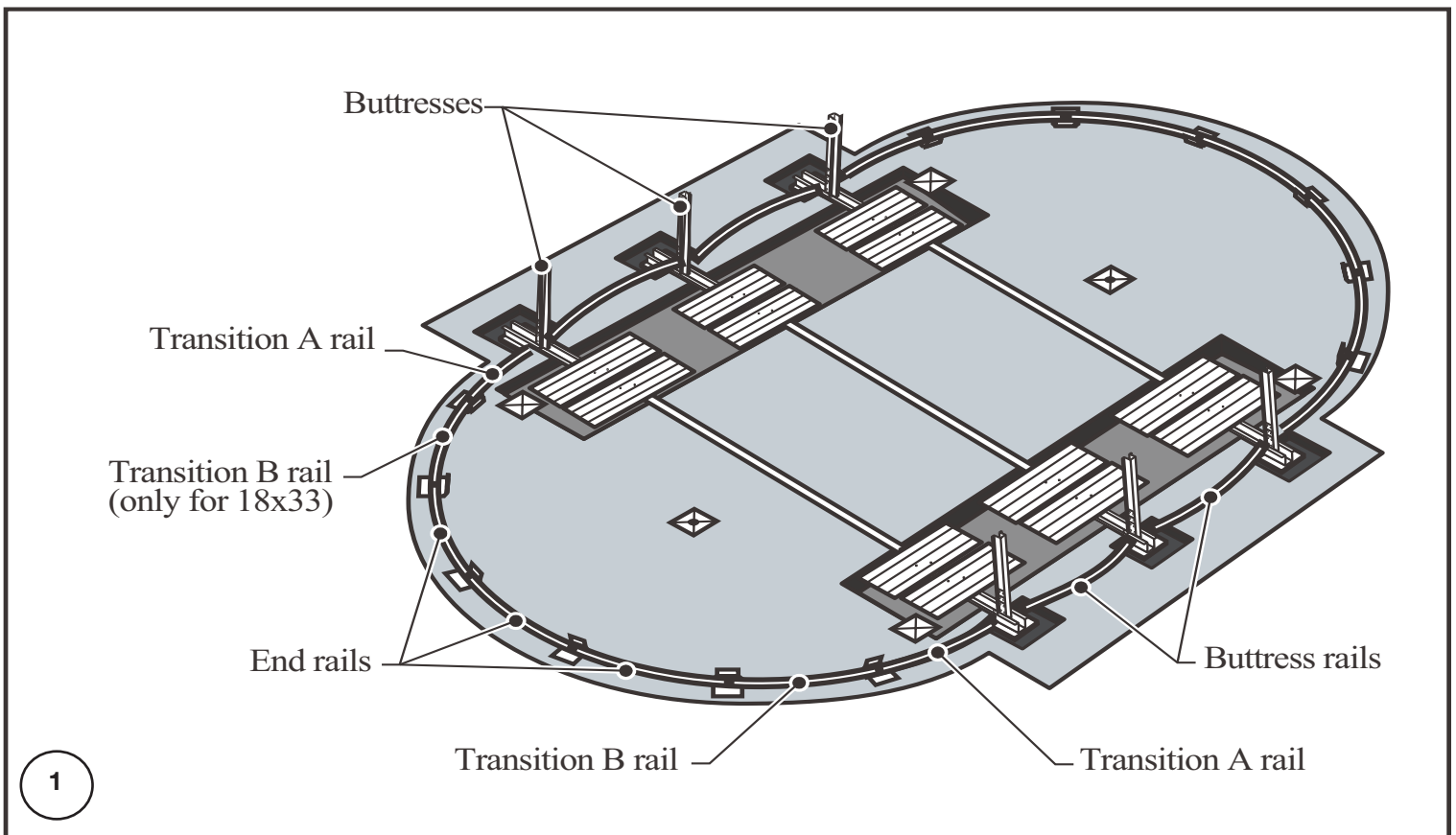
GENERAL INSTRUCTIONS - GIBRALTAR OVAL POOLS ASSEMBLING THE POOL BASE

A. ASSEMBLING POOL BASE & SIDE STRUCTURE

1. Install the curved bottom rails

- a. Each pool uses two, three or four different types of curved bottom rails. *(Image 1)*
Please refer to your pool footprint (at the end of Section 1) in order to recognize where each type of bottom rail should be placed.

The 18 x 33 pool is the only size that uses all four types of rails. The image below shows the locations for each type.



Important Note:

Be sure to refer to your pool footprint (at the end of Section 1), in order to recognize where each bottom rail should be placed.

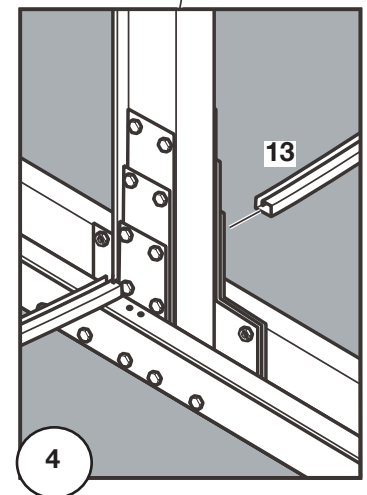
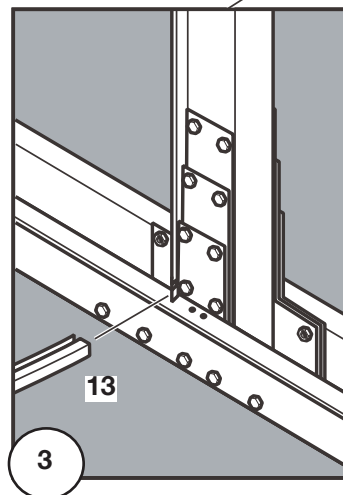
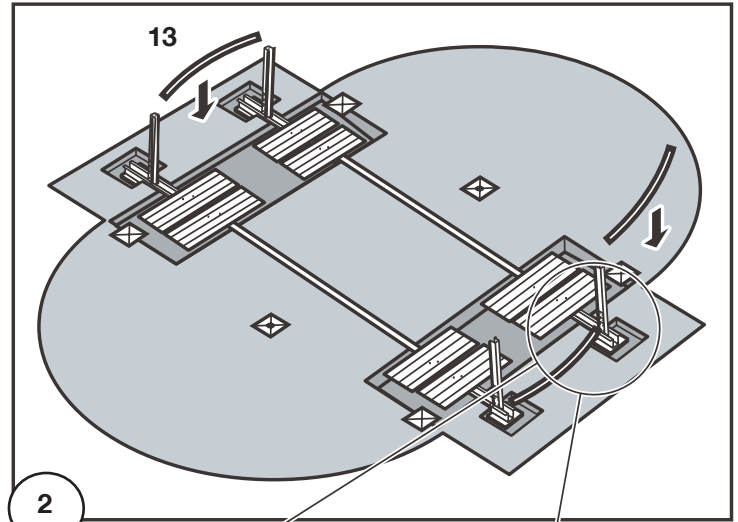
Section 2

GENERAL INSTRUCTIONS - GIBRALTAR OVAL POOLS ASSEMBLING THE POOL BASE

A. CONT. ASSEMBLING POOL BASE & SIDE STRUCTURE

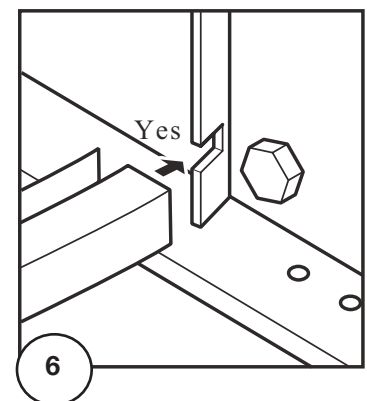
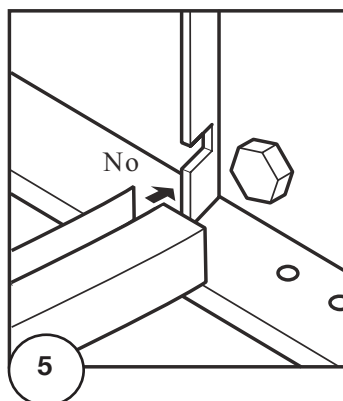
- b. Insert the buttress rails between the buttresses (if you have a 12 x 18 pool, skip step (b) and go to step (c)). The bottom rails insert into the notch in the upright channel. Make sure the groove faces up.
- c. Insert the transition A rails (key 13). Slide one end of each rail into the notch in the upright channel (*see diagrams 3 and 4*) and slide the other end together with a base plate (*key 14 see diagrams 8 to 10 on next page*).

Important: make sure you slide the rail into the notch so the closed, square part of the rail is in the notch, not the open groove part of the rail (*see diagrams 5 & 6*).



Important Note:

When measuring the distance to the face of each base plate, use a piece of string longer than required and place a mark on the string at the required distance.

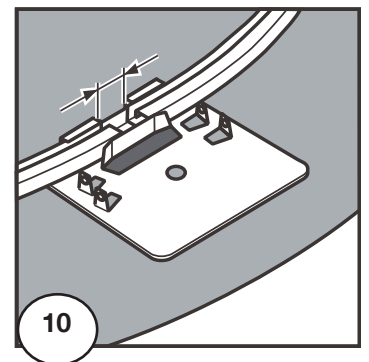
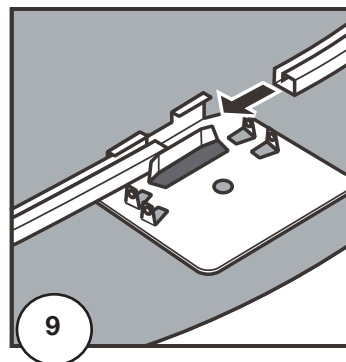
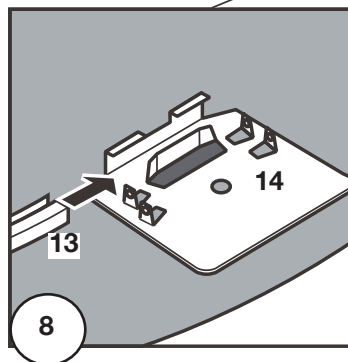
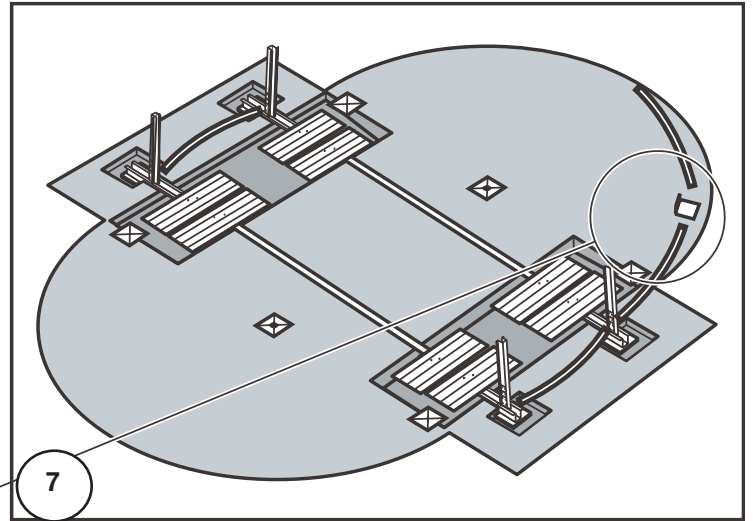


Section 2

GENERAL INSTRUCTIONS - GIBRALTAR OVAL POOLS ASSEMBLING THE POOL BASE

A. CONT. ASSEMBLING POOL BASE & SIDE STRUCTURE

- d. Slide the other end of the transition A rail together with a base plate (key 14). (*Images 8 to 10*)
- e. If you have an 18 x 33 pool, insert the transition B rails (if you have any other size pool, skip to step (f)). Leave a 1/2" (13 mm) gap between the ends of the rails (see diagram 1 on the previous page for the 18 x 33 pool).
- f. Lay out the end rails and base plates on both round ends of the pool area. Refer to your pool's footprint to ensure correct dimension. (Note: this step will not work on the buttress rails or transition rails.)
- g. Insert the end rails. Leave a gap (please see your pool's footprint for gap measurement) between the ends of the rails.



Important Note:

Bend the first 1/8" (3 mm) of the end of the bottom rail slightly with a pair of pliers to make sure the rail doesn't slide out of the base plate when the pool wall is installed.

Cut several small pieces of wood approximately 1/2" x 3/8" (1.5cm x .9cm) square and place one between the two bottom rails located at each base plate. This will keep the bottom rails from closing while the wall is installed. Be sure to remove the blocks of wood later, before installing the verticals in Section 4.

Section 2

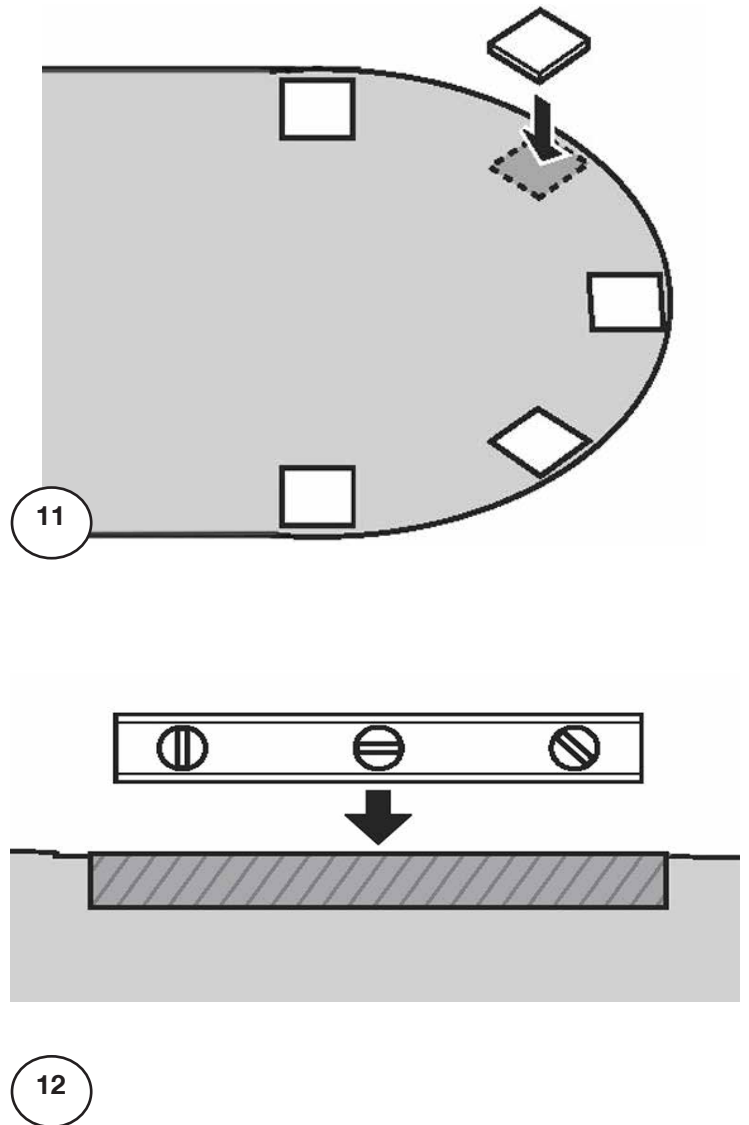
GENERAL INSTRUCTIONS - GIBRALTAR OVAL POOLS ASSEMBLING THE POOL BASE

A. CONT. ASSEMBLING POOL BASE & SIDE STRUCTURE

2. Patio Stones (Optional)-Round Section

- Concrete patio stones may be placed at the base of each upright of your pool. *(Image 11)*
- Each bottom plate will show the location for a patio stone. Make a mark in the ground at each base plate.
- Remove the bottom rails and bottom plates and lay out the patio stones around the circle where the bottom plates were.
- The patio stones must be sunk into the ground so the tops are flush with the soil around them. Use the carpenter's level to make sure the patio stones are perfectly level and flush with the ground. Use either the carpenter's level and a 2-by-4 (5cm x 10cm) wood plank, or the optical level between patio stones to make sure the stones are level with each other. *(Image 12)*
- Do not install blocks or rails on loose sifted soil or sand. There must be no space between the ground and the bottom of the rails. All patio blocks must be flush with the ground, solid and level with each other in all directions.

NOTE: Installing patio blocks is optional and the blocks may shift due to temperature changes.



Important Note:

Make sure the patio stones are perfectly level and flush with the ground. All patio blocks must be flush with the ground, solid and level with each other in all directions

Section 2

GENERAL INSTRUCTIONS - GIBRALTAR OVAL POOLS ASSEMBLING THE POOL BASE

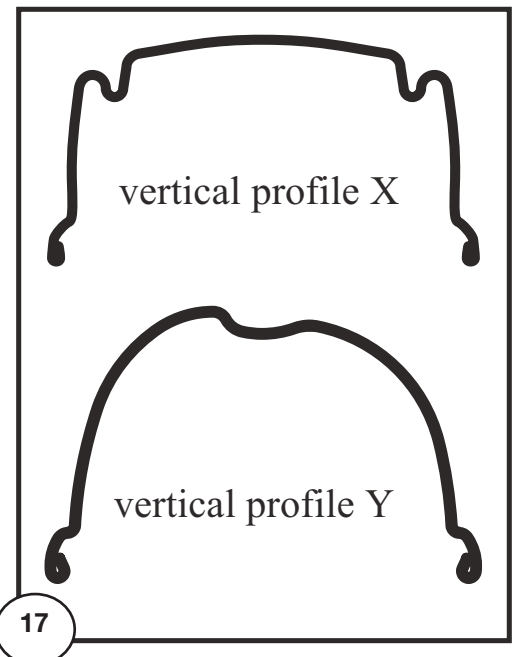
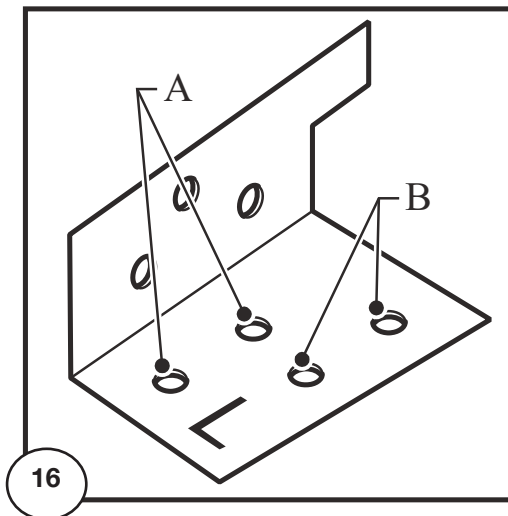
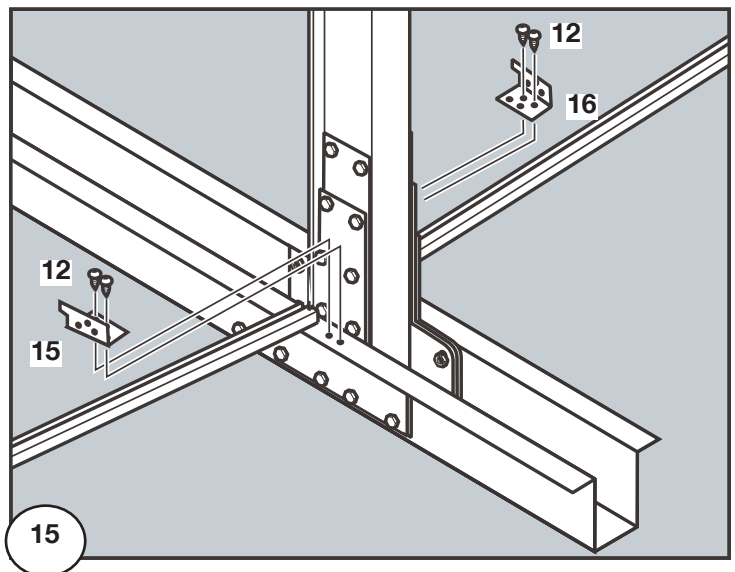
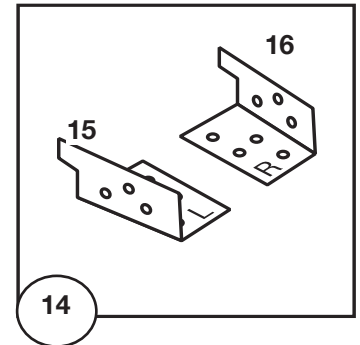
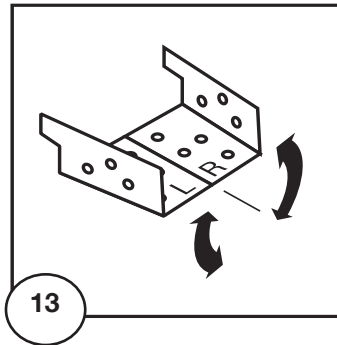
A. CONT. ASSEMBLING POOL BASE & SIDE STRUCTURE

3. Install Vertical Clips

- The vertical clips (key 15 and 16) are supplied joined together in left-hand and right-hand pairs. Bend the clips along the centre seam to snap them apart. (*Images 13 & 14*)
- Fasten the left-hand vertical clip (key 15) with two self-tapping screws (key 12) to the base U-channel. (Note: the left-hand vertical clip is on the left when you are facing toward the centre of the pool.) (*Image 15*)

Important: be sure to use the pair of holes in the vertical clip as shown in *Image 16*, and use the profiles of the vertical in *Image 17* to identify which pool you have. If your vertical profile matches either profile X or Y, use the pair of holes marked B; all other pools use the pair of holes marked A.

- Tighten the screws.
- Repeat steps (b) and (c) for the right hand vertical clip (Key 16).
- Repeat steps (a) to (d) for the rest of the buttresses.



Important Note:

Put duct tape along the top edge of the buttress so there are no exposed edges that might tear the pool liner or scratch the pool wall.

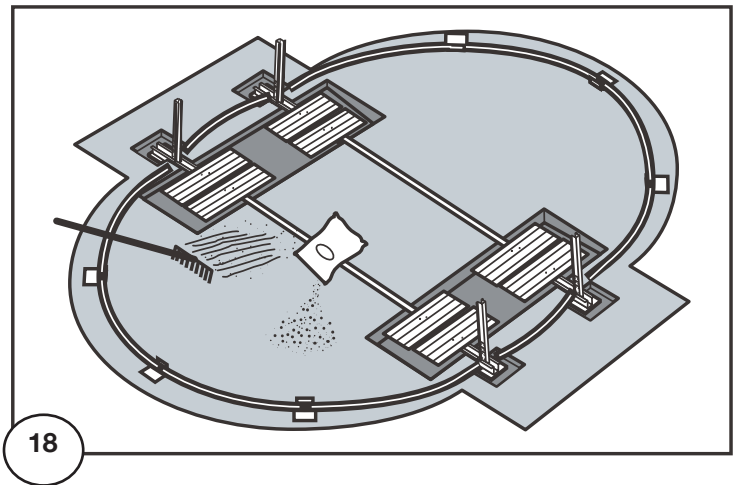
Section 2

GENERAL INSTRUCTIONS - GIBRALTAR OVAL POOLS ASSEMBLING THE POOL BASE

A. CONT. ASSEMBLING POOL BASE & SIDE STRUCTURE

4. Spread out Brick Sand

- Make sure any screw or bolt heads that are to be covered with sand or styrofoam are covered with duct tape first.
- Fill in all of the trenches completely with crushed limestone.
- Spread a layer of fine brick sand (no pebbles) over the foundation area, 2" (5 cm) deep. Use a rake to make the brick sand flat and smooth. Instead of brick sand, you can use 1" or 1-1/2" (25 or 38 mm) thick sheets of styrofoam. Cut the sheets to fit. Remove the Styrofoam until the wall is installed. Reinstall the styrofoam sheets and join them with duct tape along the whole length of each seam. Remember to wait until the pool wall has been installed before installing the Styrofoam. **(Image 18)**



Important Note:

Spread brick sand or sheets of styrofoam out over the entire pool foundation area inside the base rails. This provides a protective surface for the pool liner to rest on.

5. Proceed to Section 3

-Assembling Pool wall and Liner

Section 3

GENERAL INSTRUCTIONS - GIBRALTAR OVAL POOLS ASSEMBLING THE POOL WALL

A. SETTING UP THE POOL WALL

Do not attempt to install the pool wall in the wind, wait for a calm day.
It takes at least 3 people to install the pool wall.

1. Preparing for the wall installation

- Bring the following items into the middle of the pool foundation before you start uncoiling the pool wall: plywood, some extra sand or fine dirt to make the cove and a ladder to climb out after the wall is assembled.
- Make sure the skimmer and water return holes are located where you need them to be. The skimmer and water return holes are positioned towards the end of the wall, **(the section before where the wall started)**.



Important Note:

Be sure to use a measuring tape and measure the whole perimeter of the pool by measuring from the inside of the bottom rails.

2. Set the pool wall in place.

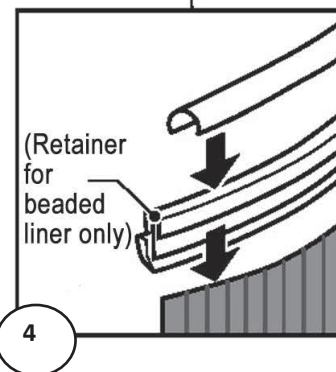
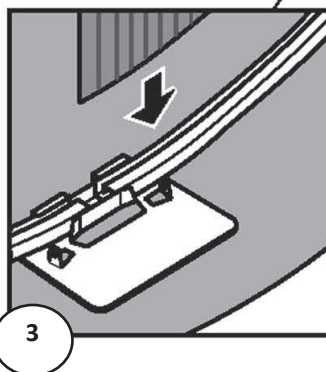
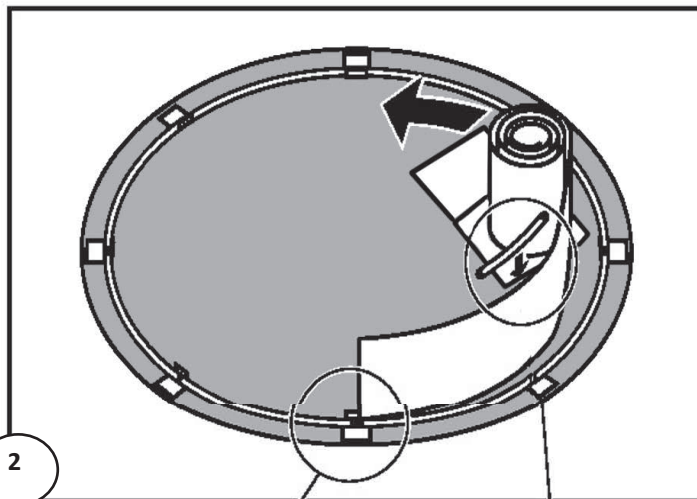
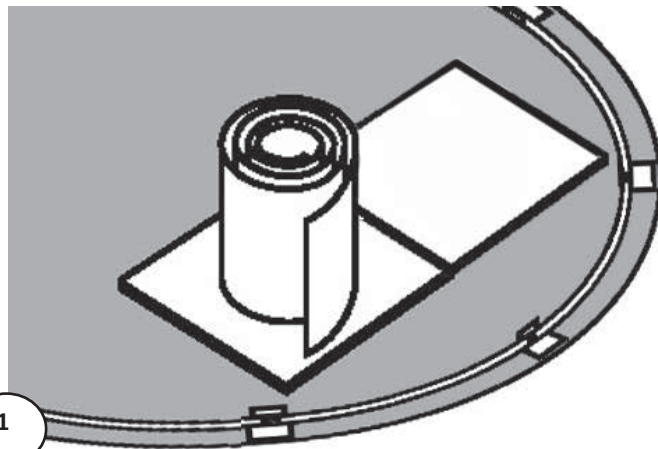
- Unpackage the coiled pool wall and stand it on the plywood at the place close to where you need to install the skimmer. *(Image 1)*
(Remember the skimmer and water return holes will be placed at the section just before where you started the wall installation).
- Start uncoiling the wall, guiding the bottom edge into the curved bottom rail. The starting end of the wall must be positioned in the centre of a bottom plate, and the skimmer and return holes should be positioned where the pump and filter will be. *(Images 2 to 4)*

NOTE: It is important that the pool wall be evenly distributed at both ends of the pool to ensure that all the top rails fit. As the wall is uncoiled and placed into the bottom rails it is important to maintain a gap between the bottom rails (Please see your pool's footprint for gap measurement) or the top rails may not fit.



Important Note:

Secure the slotted tube to the wall with a piece of duct tape after installation to prevent it from lifting off the wall.



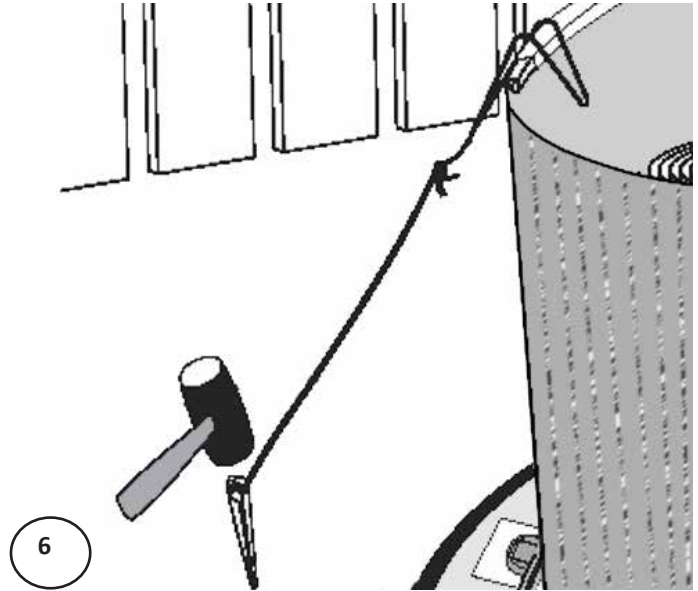
Section 3

GENERAL INSTRUCTIONS - GIBRALTAR OVAL POOLS ASSEMBLING THE POOL WALL

A. CONT. SETTING UP THE POOL WALL

4. Installation of the wall

- a. Continue installing the wall around the foundation until the entire pool wall is uncoiled into the bottom rails and the top edge is covered with the slotted tube and connectors (and beaded liner retainers if you have a beaded pool liner).
NOTE: We also suggest installing vinyl-covered hooks and rope to hold the wall steady. (*Image 6*)
- b. After the wall is installed, go around the entire pool and make sure all the gaps between the bottom rails are equal in size (the gaps may each finish slightly smaller or larger than 1/2" (13 mm), check your pool's footprint for gap size). Recheck all of the bottom plates to make sure each one is centred between the bottom rails.
- c. After the pool wall has been installed, reconfirm distances to the base plates. Make sure the round ends of the pool have been properly located or the pool wall will not be symmetrical



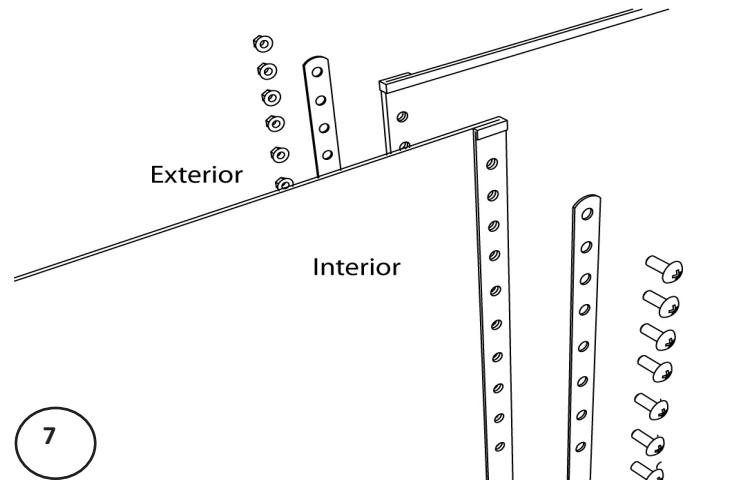
Section 3

GENERAL INSTRUCTIONS - GIBRALTAR OVAL POOLS ASSEMBLING THE POOL WALL

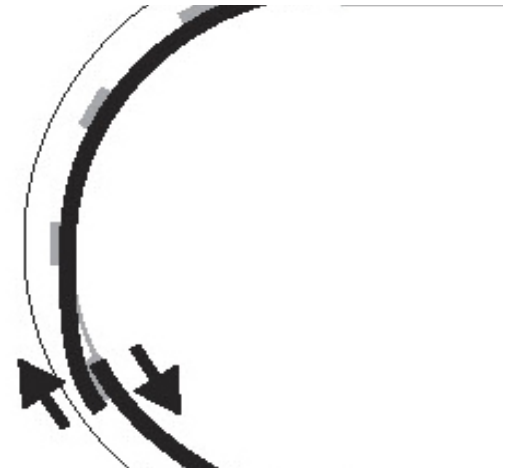
A. CONT. SETTING UP THE POOL WALL

5. Join the ends of the pool wall

- Line up the holes in the two ends of the pool wall.
(Image 7)
- Now that you have installed the wall you can be faced with three scenarios.
 - The wall joints align perfectly, if so, move on to the next step (c).
 - Your wall appears to be too short. **It is not.** However the space between the bottom rails must be decreased by lightly tapping the bottom plates towards the inside of the pool. You can also tap the wall lightly with both hands in the desired direction. *(Image 8)*
 - Your wall appears too long. **It is not.** However the space between the bottom rails must be increased by tapping the bottom plates lightly towards the outside of the pool or by tapping the wall with both hands in the desired direction. *(Image 9)*
- Recheck the position of the upright, refer to your pool's footprint diagram.



7



8



9

! Important Note:
Bottom rails must always be held in place in the bottom plate.

! Important Note:
You MUST recheck the gaps at each and every one of the bottom rails so that they are all equal in gap size.

Section 3

GENERAL INSTRUCTIONS - GIBRALTAR OVAL POOLS ASSEMBLING THE POOL WALL

A. CONT. SETTING UP THE POOL WALL

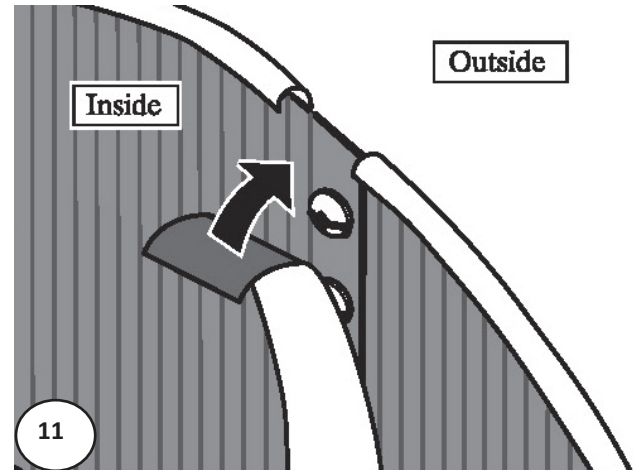
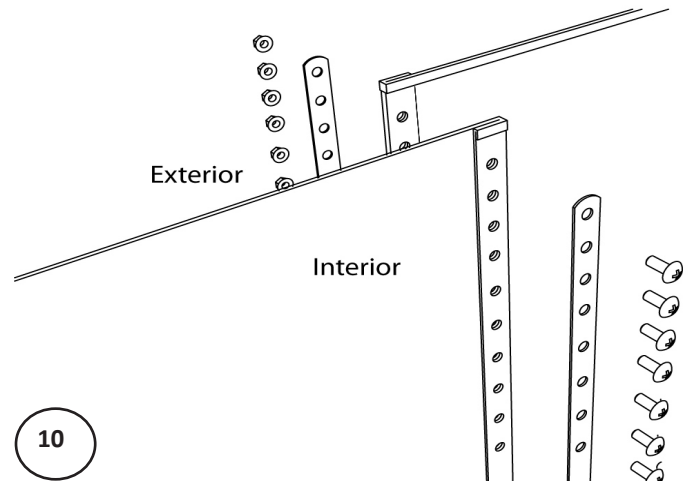
- d. To fasten the wall joint, overlap the two steel bars, one on the inside and the other on the outside. Tighten the mechanical screws on the inside and the nuts on the outside. Ensure that all bolts and all the holes are used. *(Image 10)*

Important Note:

Stick a screwdriver through two of the holes to help line up the ends of the wall.

When tightening the screws start from either the top and go down or vice versa. Do not start a few screws from top and a few from the bottom to meet in the middle, this can cause problems later on.

- e. Adjusting the pool to the proper shape may cause the bottom rails and bottom plates to slip out of alignment a little. Recheck all of the bottom plates to make sure each one is centred where the bottom rails meet.
- f. Cover the seam and bolt heads on the inside/interior of the pool wall completely with 2" (50mm) duct tape. *(Image 11)*
- g. Where there are no buttresses installed, the space between the ends of the slotted tubes at the tops of the verticals should be about 1/2" (13 mm).



Important Note:

The pool must be level across the perimeter. A pool that is not level is dangerous and may collapse.

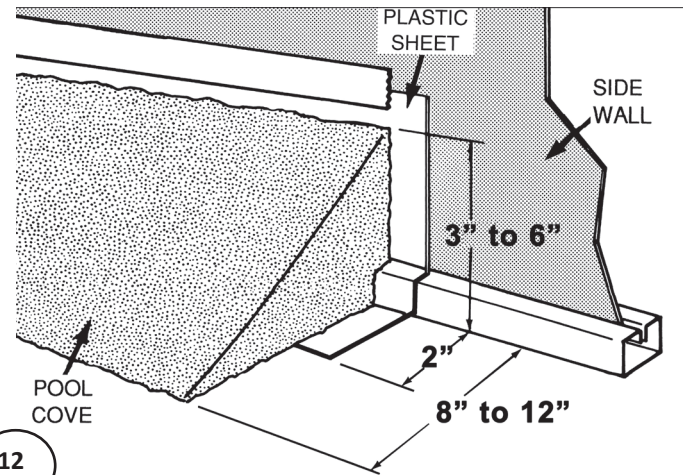
Section 3

GENERAL INSTRUCTIONS - GIBRALTAR OVAL POOLS ASSEMBLING THE POOL WALL

B. ASSEMBLING THE COVE

1. Make the cove

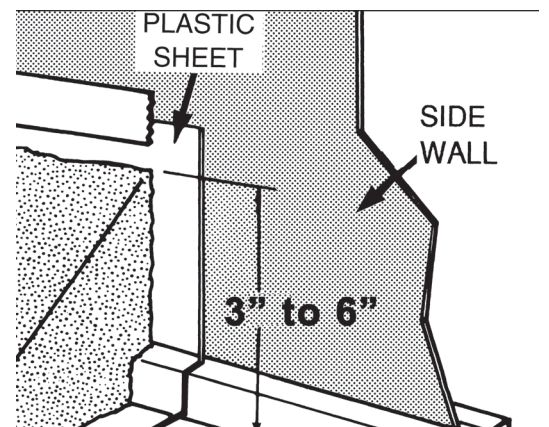
- a. If you are using sand, bank the sand against the wall to form a cove of 3" to 6" (7.5cm to 15cm) high and 8" to 12" (20cm to 30cm) wide at ground level. This will prevent the liner from creeping under the wall, and it will also protect the liner from any metal edges of the pool framework. **THIS STEP IS NOT OPTIONAL, IT MUST BE DONE. (Image 12)**
- b. Water the sand to compact it and use a trowel to spread it evenly. (Image 13)
- c. Since earth containing chemicals can cause discoloration or corrosion, it is suggested that you place **polyethylene plastic sheeting** under the cove around the perimeter of the wall, so no earth comes in contact with the metal. Since the presence of such chemicals is beyond the control of the manufacturer, such damage is not covered under warranty. (Image 14)
- d. If you are using styrofoam cove pieces instead of sand, insert them in the bottom rail and refer to the installation instructions that are provided with them.



12



13



14

Important Note:

The cove is an important part of the pool structure. Take your time to make a complete, full-size cove.

Section 3

GENERAL INSTRUCTIONS - GIBRALTAR OVAL POOLS ASSEMBLING THE POOL WALL

B. CONT. ASSEMBLING THE COVE

- e. A vacuum cleaner can later be used to remove the air from between the liner and the wall. This technique enables you to remove folds in the liner. However the following precautions should be taken:

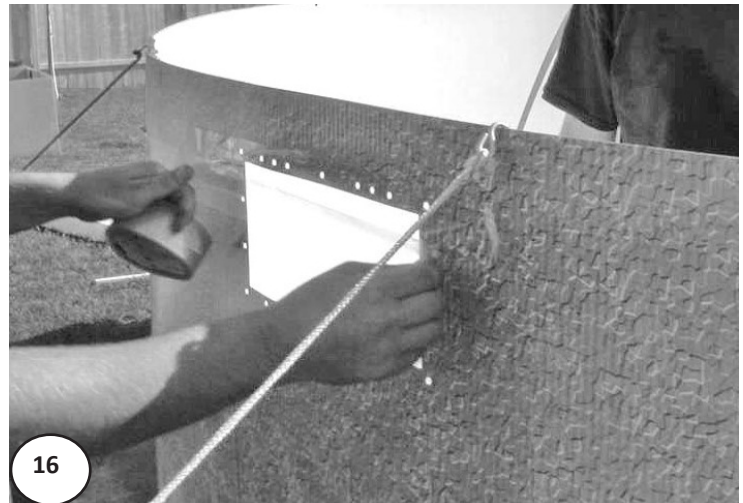
Do not use an industrial vacuum cleaner which could be too powerful.

Tape the end of the vacuum hose before inserting it into the wall so as not to damage the liner.

Insert the nozzle until it is about 4" (10cm) above the cove (insert through the water return outlet or the skimmer depending on the diameter of your hose). Make sure you will be able to remove the hose later on. Tape the hose to the wall. **(Image 15)**



- f. Close the skimmer opening with cardboard and adhesive tape so that the suction of air works better. **(Image 16)**



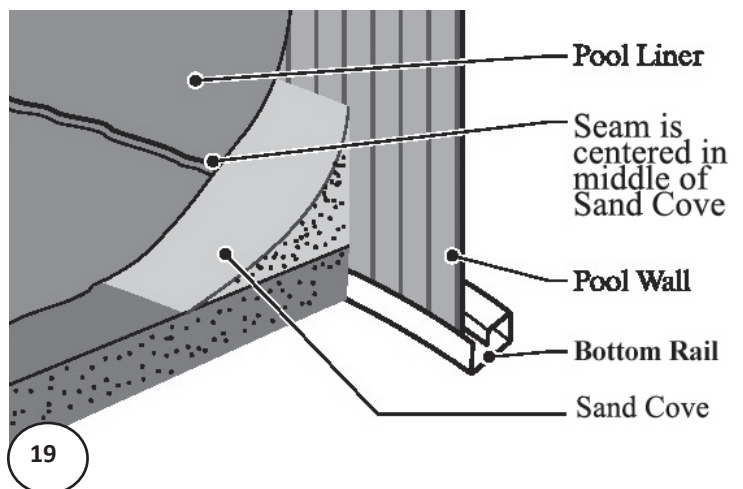
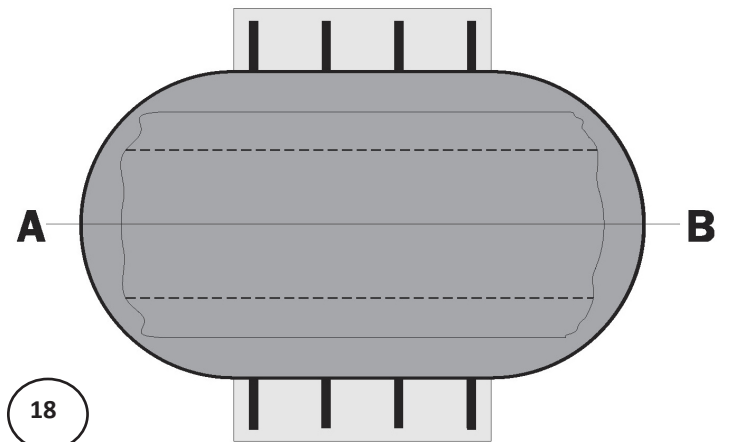
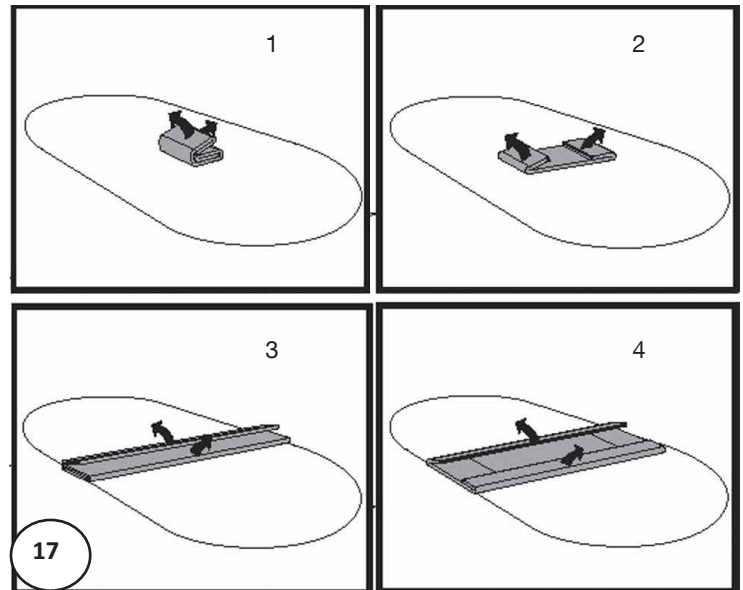
Section 3

GENERAL INSTRUCTIONS - GIBRALTAR OVAL POOLS ASSEMBLING THE POOL WALL

C. INSTALL THE POOL LINER

1. Set the liner in place

- Open the carton. Do not use anything sharp to open the carton.
- Unpack and unfold the liner and spread it out in the sun to warm it up. Inspect all the seams and surfaces for holes.
- Remove your shoes to avoid damaging the base or tearing the liner.
- Spread out the liner, smooth side down. Unfold the liner from the centre of the pool toward the sides. **(Image 17)**
- Use the liner's bottom seam(s) as a guide and make sure the seam(s) are parallel to the straight sections and to the imaginary line which links points A and B in the illustration **(Image 18)**. It is recommended that you begin installing the liner in a round section.
- Use the liner's vertical seam as a guide and make sure the seam is vertical and perpendicular to the wall and bottom.
- Make sure the seam between the wall and bottom is centred on the cove **(Image 19)**
- Smooth out all the wrinkles in the bottom. Do not leave any space between the liner and cove.



! Important Note:

If possible, unfold the liner on the grass one to two hours before installation. Be careful not to leave the liner too long or you may damage the grass.

! Important Note:

The liner is generally smaller than the support structure of the pool. It will stretch more easily when warm. It is important that the liner is installed on a warm sunny day.

GENERAL INSTRUCTIONS - GIBRALTAR OVAL POOLS ASSEMBLING THE POOL WALL

C. CONT. INSTALL THE POOL LINER

Please ensure to follow instructions that match the type of liner you may have.

2. Fasten the liner place

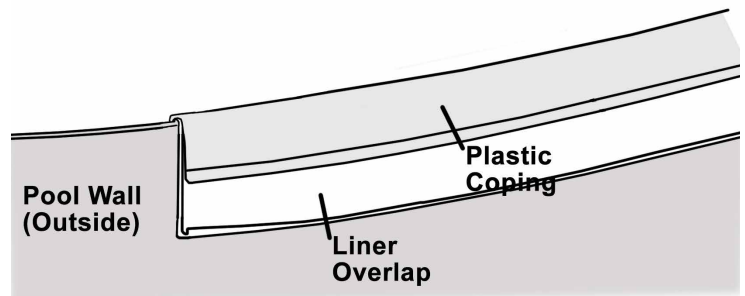
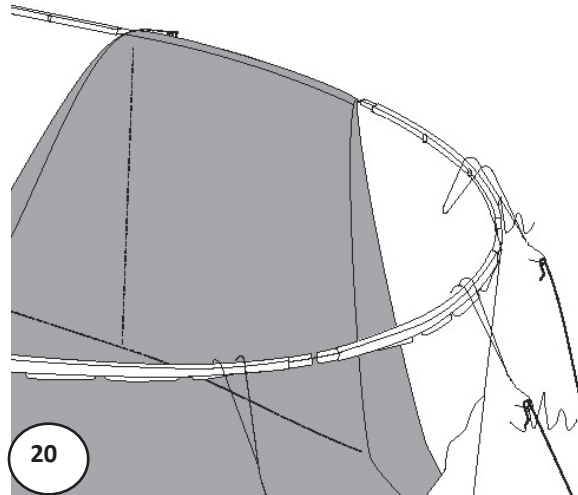
2-1. For OVERLAP ONLY

(Please see step 2-2. or 2-3. for other liner)

- a. Starting at the liner wall seam, hang the liner over the wall making sure that the seam is straight up and down, perpendicular to the floor. (Remove stabilizers gradually as you fold the liner over the top of the wall.)This will assure you that the liner begins going over the wall straight. *(Image 20)*
- b. As you put the liner over the wall you can secure it by using the plastic coping strips to keep it in place. If you end up with excess material, continue around the pool, pulling excess liner evenly, and distribute over the wall until the excess is gone. *(Image 21)*
- c. Fasten the liner to the top of the wall with plastic coping. Let the liner hang slack for now. Do not pull the liner tight. *(Image 21)*

NOTE: Some liners may fit very tightly, it is better to install uprights, top plate and rail before going onto next step. See Section 4.

- d. Turn the vacuum cleaner on and push the liner outward with your feet to iron out any wrinkles. Once finished, turn off vacuum cleaner.
- e. Start filling the pool with water. As the pool fills, work out all the wrinkles and smooth the liner to the wall. Remove the plastic coping around the top edge of the wall one piece at a time and adjust the liner. Keep smoothing out the wrinkles.



Important Note:

Do not trim off the excess liner. (If the liner ever needs to be removed, trimming the liner will make re-installation very difficult). Instead, roll up any excess liner and tape it in place near the top of the pool wall.

Section
3

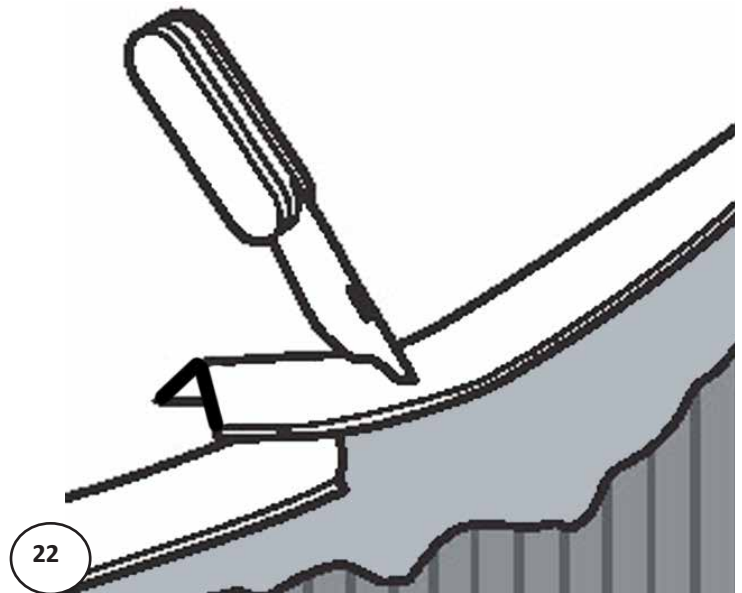
GENERAL INSTRUCTIONS - YARDMORE OVAL POOLS ASSEMBLING THE POOL WALL

C. CONT. INSTALL THE POOL LINER

- f. After all the wrinkles in the liner are removed, trim any extra length of plastic coping so there is no overlap. *(Image 22)*

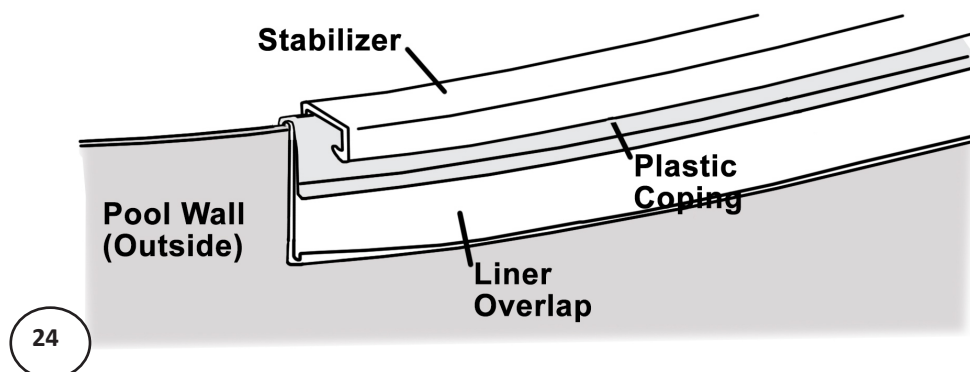
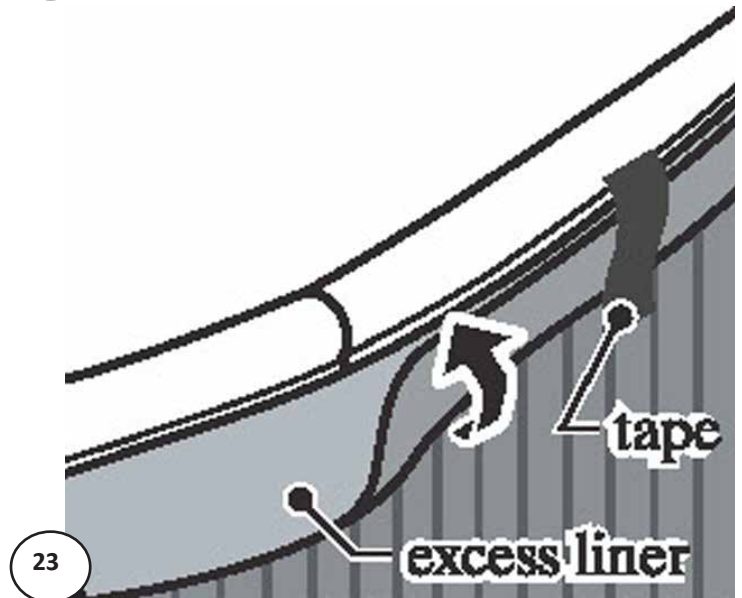
- g. Roll up any excess liner hanging below the plastic coping and tape it in place near the top of the pool wall. **Important:** Do not trim off the excess liner. *(Image 23)*

- h. Install stabilizers. *(Image 24)*



Important Note:
Do not trim off the excess liner. (If the liner ever needs to be removed, trimming the liner will make re-installation very difficult). Instead, roll up any excess liner and tape it in place near the top of the pool wall.

3. Proceed to Section 4 - Installing the Pool Frame



Section 3

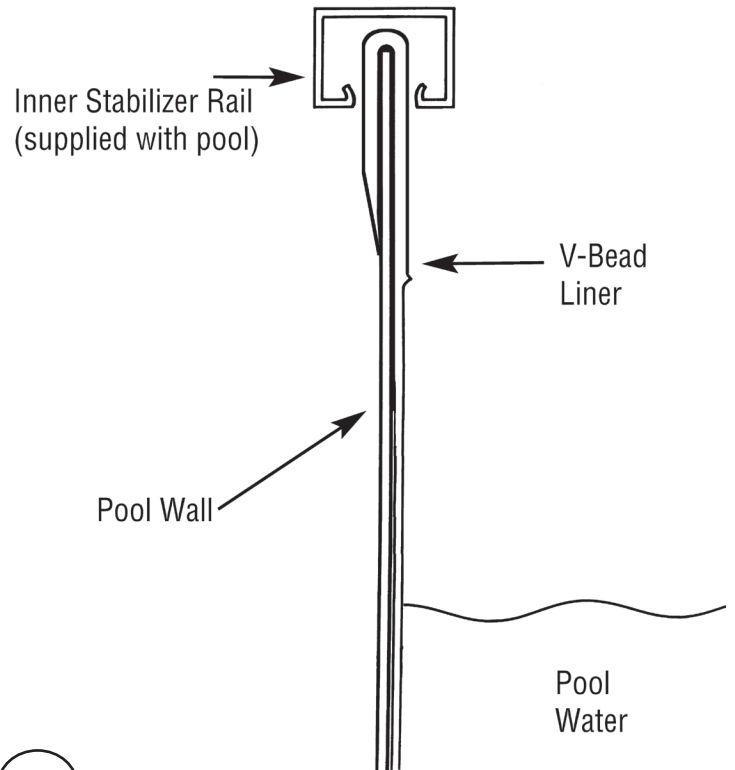
GENERAL INSTRUCTIONS - GIBRALTAR OVAL POOLS ASSEMBLING THE POOL WALL

C. CONT. INSTALL THE POOL LINER

2-2. For HUNG/J or V-BEAD LINER ONLY

(Please see step 2-1. or 2-3. for other liner)

- With a V-Bead liner you will not use the plastic coping strips that are packed in the parts carton of your pool. You can discard those pieces, if they are included, as they only apply to pools with overlap liners.
- The top of the wall of the liner has what is called a "V-Bead" welded onto it. Simply open up the bead with your fingers and hang it directly on top of the pool wall. When this is done properly, the only portion on the outside of the pool wall is approximately 1" of the V-Bead. No printed liner material is actually going over the top of the wall to the outside of the wall. *(Image 25)*
- Make sure the bead is on evenly around the entire pool, and that the liner is hanging straight down from the top of the wall. The liner should not have creases in it because it is twisting around the pool. If the liner is twisting, it is because it is not sitting properly in the pool. Make necessary adjustments before proceeding.



NOTE: Some liners may fit very tightly, it is better to install uprights, top plate and rail before going onto next step. See Section 4.

Important Note:

Do not trim off the excess liner. (If the liner ever needs to be removed, trimming the liner will make re-installation very difficult). Instead, roll up any excess liner and tape it in place near the top of the pool wall.

3. Proceed to Section 4 - Installing the Pool Frame

Section 3

GENERAL INSTRUCTIONS - GIBRALTAR OVAL POOLS ASSEMBLING THE POOL WALL

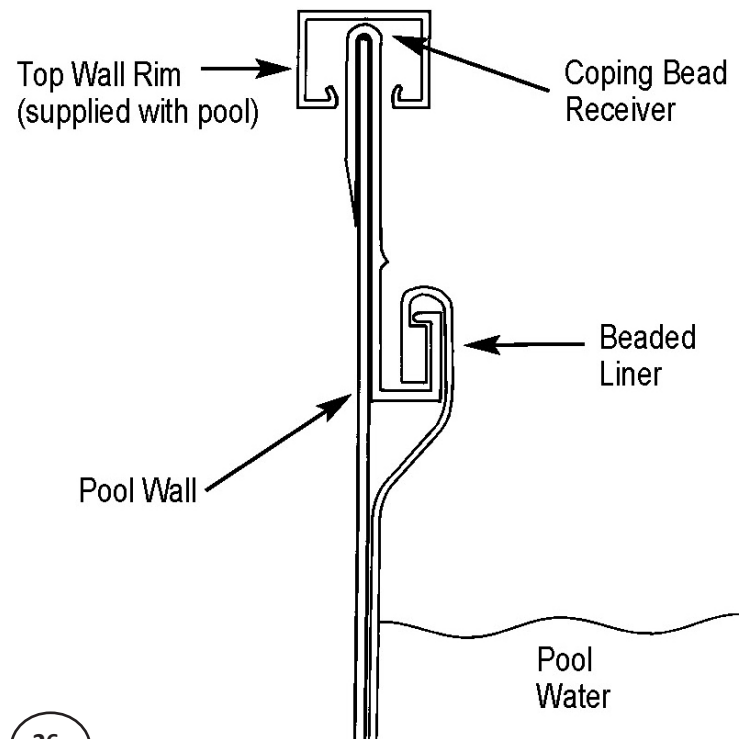
C. CONT. INSTALL THE POOL LINER

2-3. For BEADLOCK/SNAPBEAD LINER ONLY (Please see step 2-1. or 2-2. for other liner)

- a. With a snap bead liner you will not use the plastic coping strips that are packed in the parts carton of many pools. You can discard those pieces (if they are included). Instead, you should have received a beaded liner track (referred to as a "coping bead receiver" in *Image 26*).
- b. The beaded liner track should be installed onto the pool wall all of the way around the pool. These pieces should be as close together as possible. Leaving spaces between bead tracks can cause liner problems later on.
- c. Once all of the beaded liner track is on the wall, you can snap the liner bead into the beaded liner track at four random points around the pool. After that is done, and you are satisfied with how the liner is situated within the pool, you can continue snapping the remainder of the liner into place around the pool.
- d. Go around the entire pool again making certain that the liner is securely snapped into the track. This is important to confirm so that the liner does not pull out while under the pressure of being filled with water.

NOTE: Some liners may fit very tightly, it is better to install uprights, top plate and rail before going onto next step. See Section 4.

3. Proceed to Section 4 - Installing the Pool Frame



26

Section 4

GENERAL INSTRUCTIONS - GIBRALTAR OVAL POOLS ASSEMBLING THE POOL FRAME

A. INSTALLING THE TOP LEDGES AND UPRIGHTS

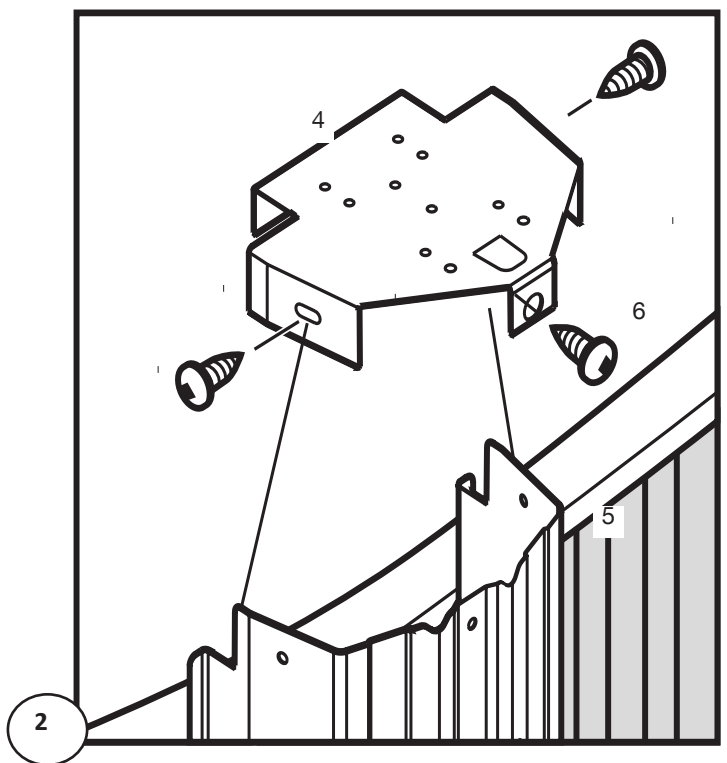
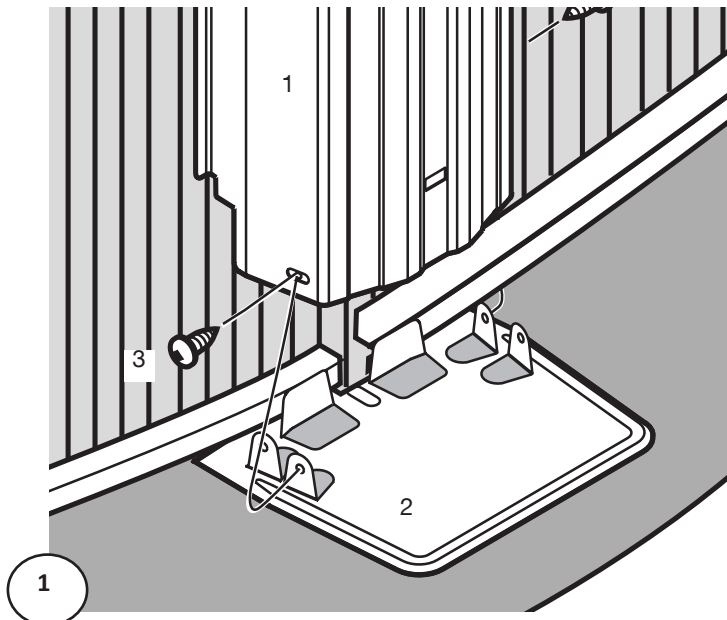
1. Continue filling your Pool

- Continue filling your pool with water. Do not put in more than 12" (30 cm) of water until the top ledges and upright columns are all attached.
- Keep working on the top ledges and uprights while the pool fills.

See the drawing on the next page for an overview of all the parts used to install the uprights, top ledges and top connectors.

2. Install the uprights.

- Line up the bottom of one upright (key 1) with the two small tabs on one base plate (key 2). The tabs must be on the inside of the upright. The three holes on the front of the upright must be nearest the top.
- Line up the screw holes and fasten with one self-tapping screw on each side (key 3). *(Image 1)*
- Hook a top plate (key 4) over the top edge of the pool wall (key 5). Place the top plate down over the top of the upright with the tabs on the outside of the column. Make sure the upright is straight up and down.
- Line up the screw holes and fasten with one self-tapping screw on each side and one on the front (key 6).
- Repeat the last four steps for each of the upright around the pool wall.



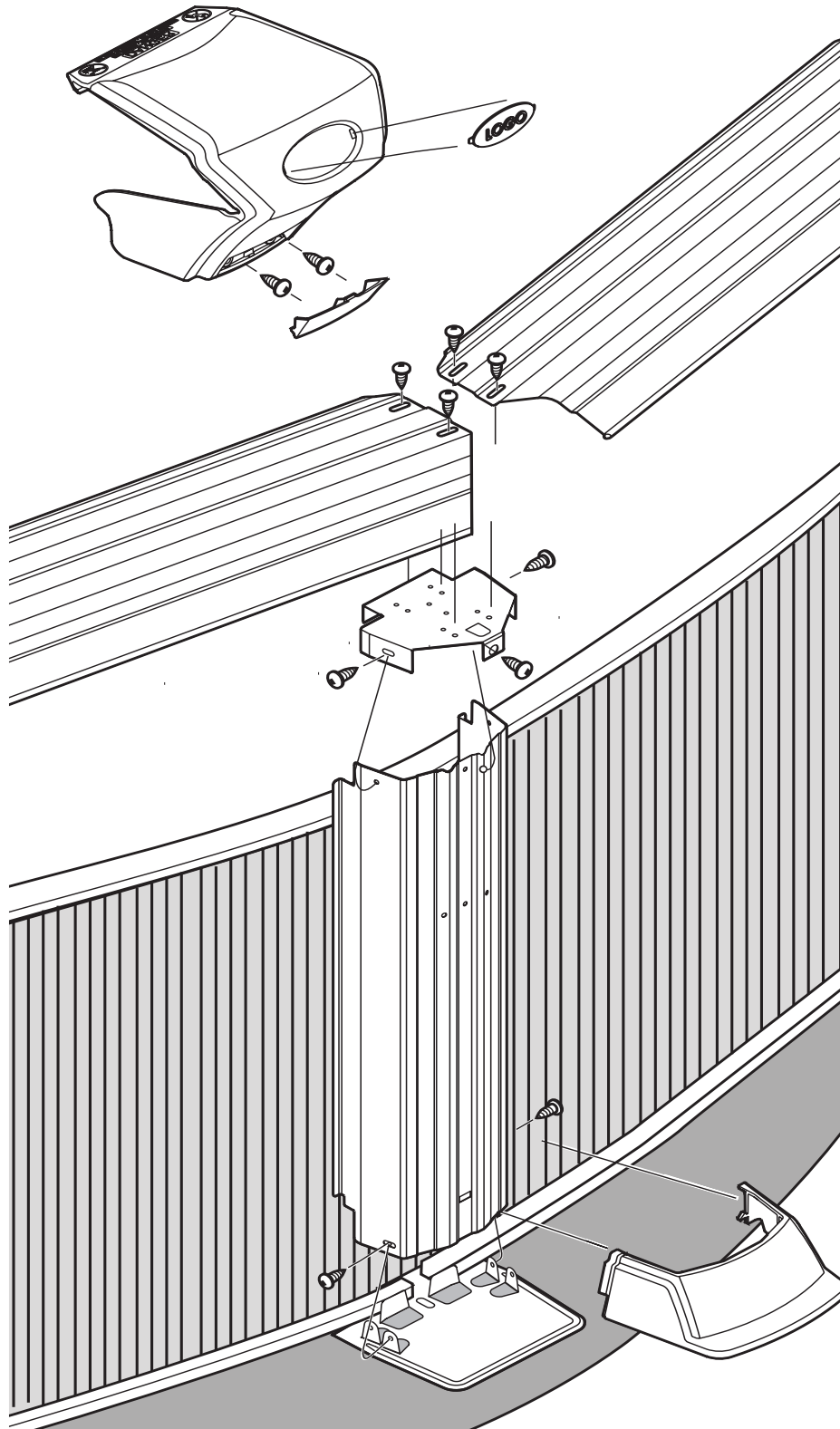
Important Note:

Use the ridges in the pool wall to make sure the upright is straight up and down.

GENERAL INSTRUCTIONS - GIBRALTAR OVAL POOLS ASSEMBLING THE POOL FRAME

A. CONT. INSTALLING THE TOP LEDGES AND UPRIGHTS

Overview of the Upright, Top Ledge and Ledge Cover



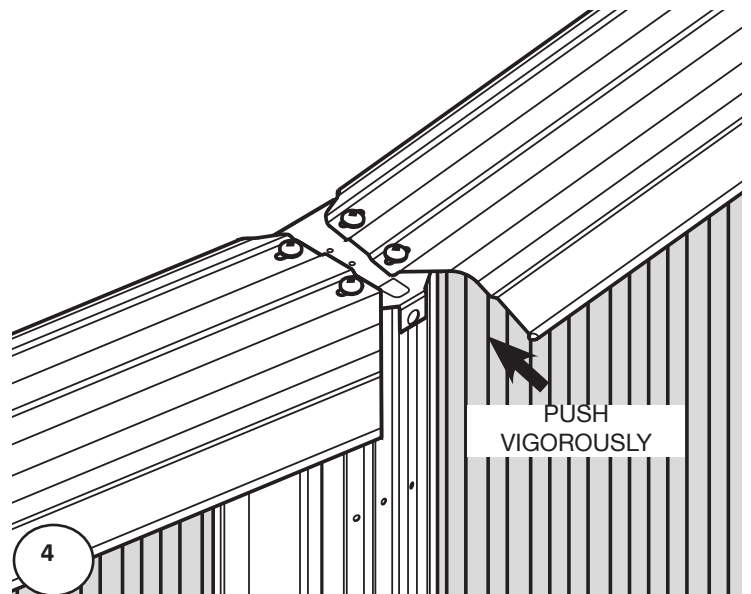
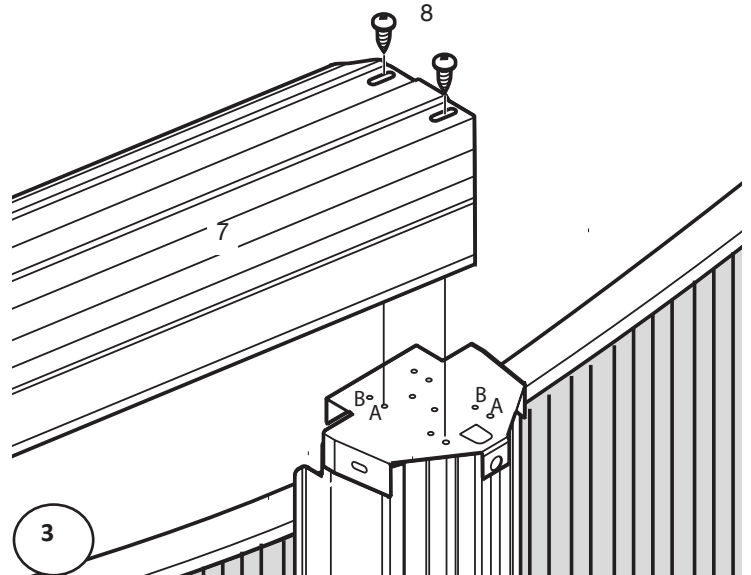
Section 4

GENERAL INSTRUCTIONS - GIBRALTAR OVAL POOLS ASSEMBLING THE POOL FRAME

A. CONT. INSTALLING THE TOP LEDGES AND UPRIGHTS

3. Install the top ledges-Round Section

- a. Place a top ledge (key 7) with one end on top of the top plate. The side of the top ledge facing the centre of the pool should be close to the pool liner and pool wall. The side of the top ledge facing the outside of the pool will form a large overhang. *(Image 3)*
- b. Line up the holes as shown. Fasten through the two oval holes into the holes marked 'A' in the top plate below with two self-tapping screws (key 8-Image 3). Do not tighten the screws yet. Leave the screws slightly loose until all the top ledges are in place.
- c. Repeat the last two steps for the other end of the top ledge.
- d. Repeat steps (a) to (c) to install the rest of the top ledges around the top of the pool wall.
- e. Make the pool settle into a perfect circle by pushing the top of the pool wall vigorously inward at each upright (this will help make the bottom of the pool wall shift into a perfect circle). *(Image 4)*
- f. Adjust all the top ledges to line up evenly with each other and tighten all the screws.



Important Note:

Make sure to refer to your parts listing for the measurements of the top ledges. This will help you to determine which top ledge to use for each pool section.

GENERAL INSTRUCTIONS - GIBRALTAR OVAL POOLS ASSEMBLING THE POOL FRAME

A. CONT. INSTALLING THE TOP LEDGES AND UPRIGHTS

4. Install the Top Ledges-Straight Section

NOTE: you must use any additional components that come with your pool and are required for proper assembly as described in this Section 4.

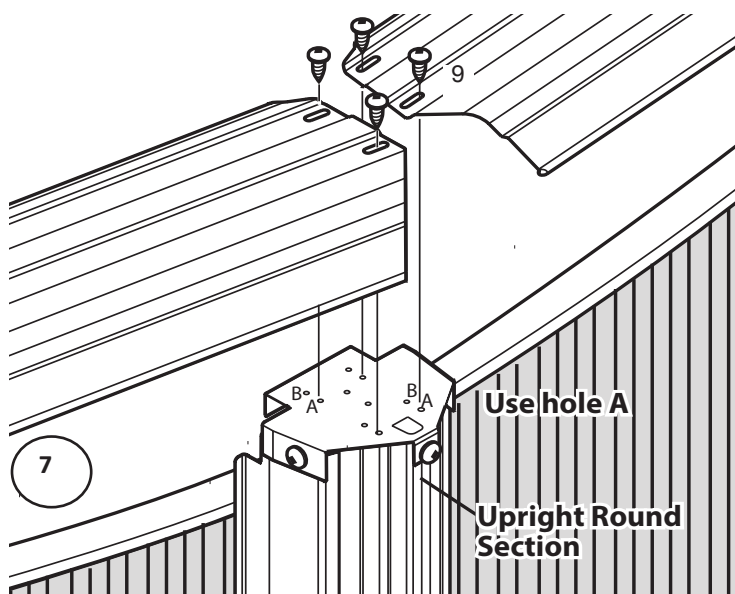
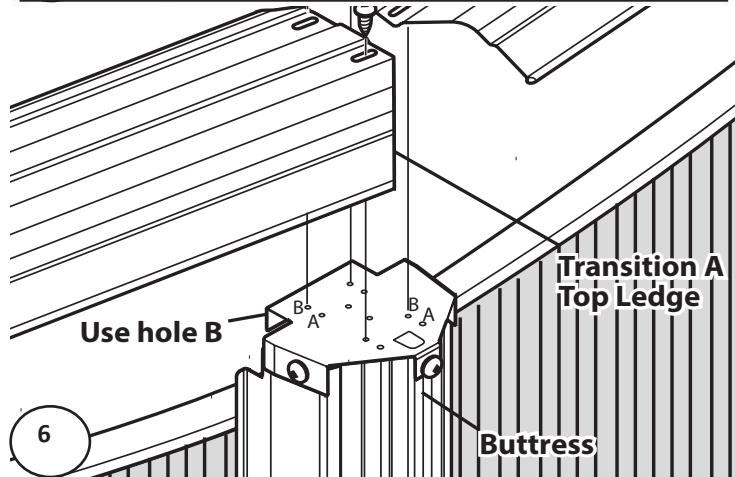
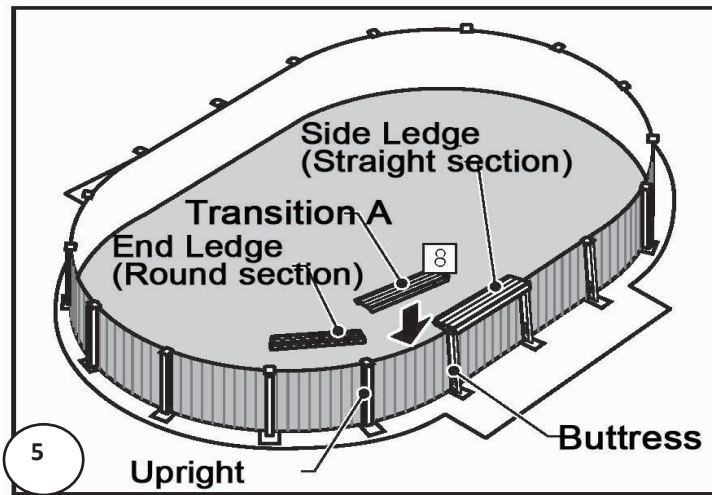
- a. **Important:** Make sure to refer to your parts listing for the measurements of the top ledges. This will help you to determine which top ledge to use for each pool section. Install all the side ledges (straight section) between the buttresses. Use hole 'A' and line up all of the holes as shown in *Image 6*. Fasten through the two oval holes to the top plate below with two self-tapping screws (key 9). Do not tighten any of the screws yet. Leave the screws slightly loose until all the top ledges are in place. Make sure the uprights are aligned straight up and down (Note: the 12' x 18' pool does not have side ledges).

- b. Install the remaining top ledges in the straight section .

5. Install the Top Ledges-Transition Section

- a. **Important:** Make sure to refer to your parts listing for the measurements of the top ledges. This will help you to determine which top ledge to use for each pool section. A top ledge that is over a buttress will fasten into the hole marked 'B' in the top plate, as shown in *Image 6*. For the rest of the end ledges (round section), use hole 'A' and line up all of the holes as shown in *Image 7*. Fasten through the two oval holes to the top plate below with two screws (key 9).

Do not tighten any of the screws yet. Leave the screws slightly loose until all the top ledges are in place.

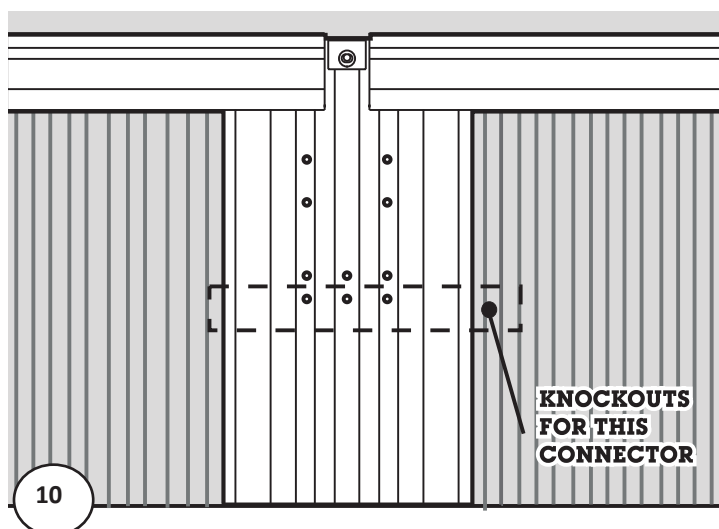
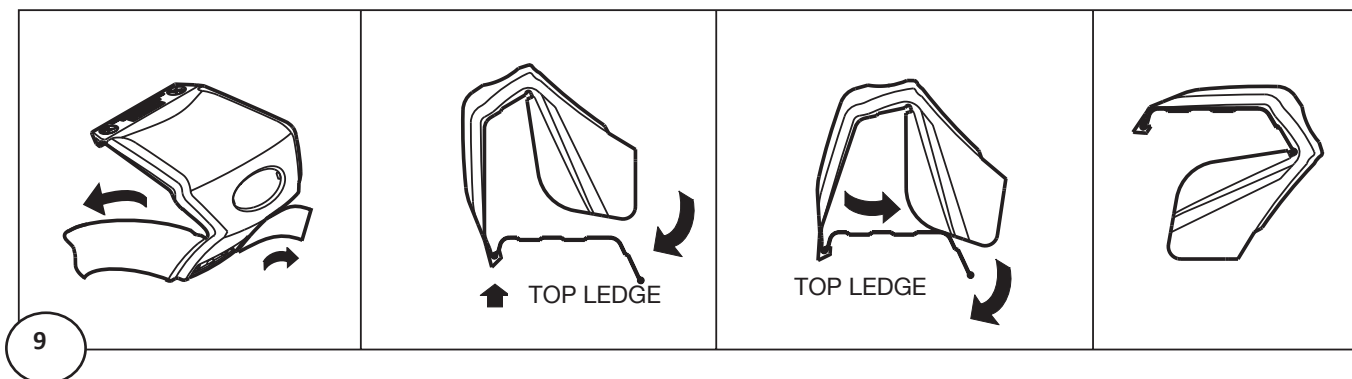
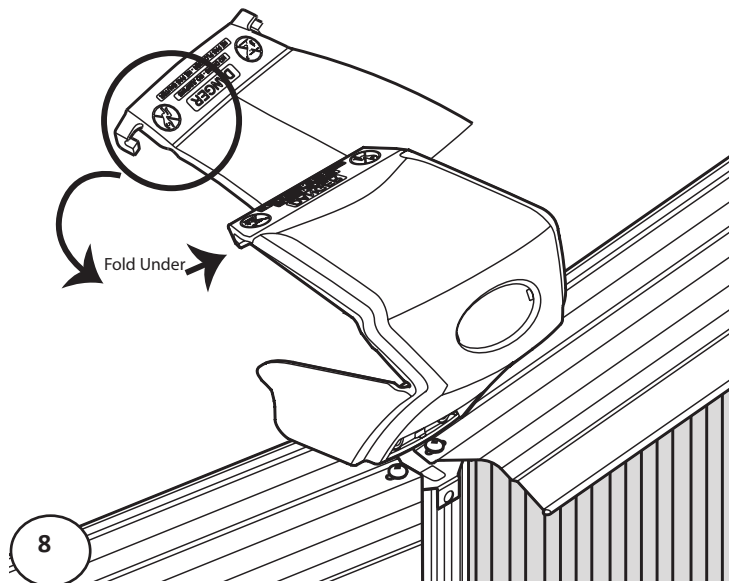


GENERAL INSTRUCTIONS - GIBRALTAR OVAL POOLS ASSEMBLING THE POOL FRAME

B. INSTALLATION OF THE LEDGE COVERS

7. Install the Ledge Covers-Round Section

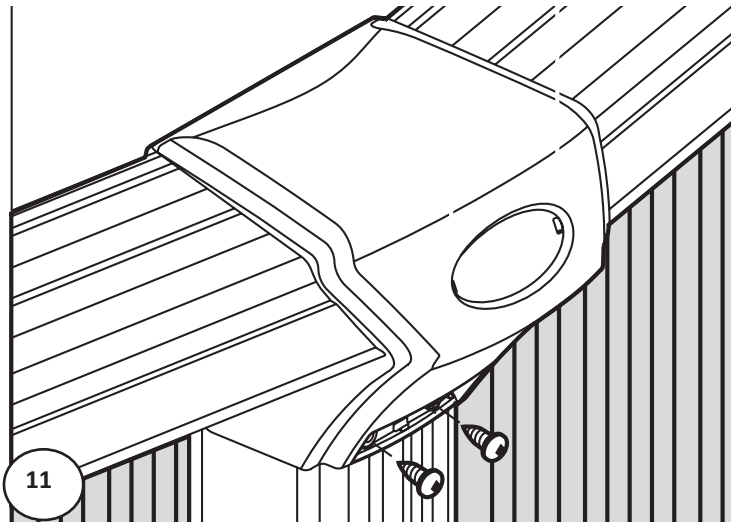
- a. Line up the ledge cover above the ends of two top ledges. Fold under and hook the small tabs protruding from the underside of the ledge cover onto the inside edges of the top ledges and hold them firmly in place. *(Image 8)*
- b. Pull the other end of the ledge cover down into place under the top ledges by gently stretching it across and down. *(Image 9)*
- c. Prior to installing the ledge cover, knock out the holes shown in Image 10.



GENERAL INSTRUCTIONS - GIBRALTAR OVAL POOLS ASSEMBLING THE POOL FRAME

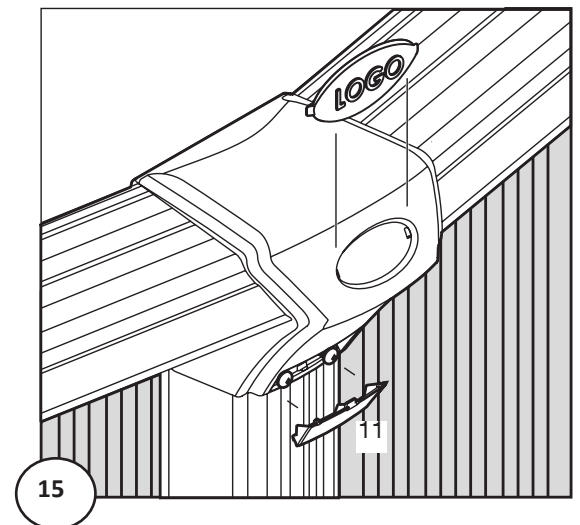
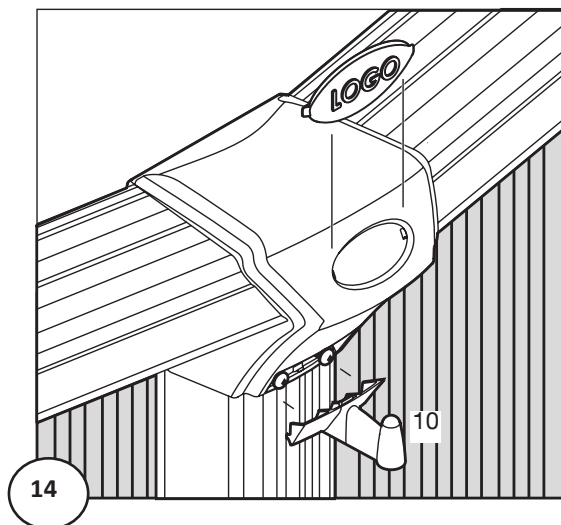
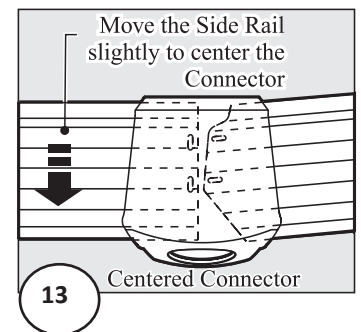
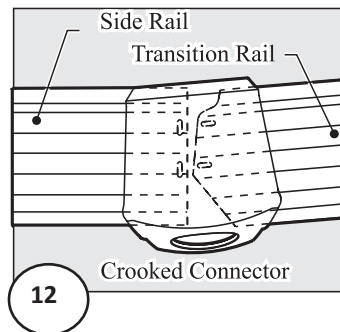
B. CONT. INSTALLATION OF THE LEDGE COVERS

- d. Push the lower part of the connector in towards the vertical column and line up the two screw holes in the lower portion of the connector with the two holes in the vertical column. Fasten the connector in place with two self-tapping screws (*Image 11*). **Important:** Tighten the screws only until a snug fit is obtained. Do not over-tighten.



Transition Section

- e. At the transition points only, where the end top ledge meets the side top ledge, make sure the side top ledge lines up properly with the end top ledge. If it doesn't line up, the ledge cover will appear crooked from above (*Image 12*). If the ledge cover isn't centered between the ledges, temporarily remove the ledge cover and loosen the screws on the top ledge. Shift the top ledge in or out from the center of the pool until the ledge cover can be properly centered between the top ledges. (*see Image 13*)
- f. Install either a Hook* (*Key 10-Image 13*) or a clip (*Key 11-Image 15*). Insert the large center tab & two smaller tabs located at the top of each into the openings located at the top of the clip housing in the connector. Rotate the bottom of the clip/hook into the housing and press firmly at the bottom of the clip or hook until a snap is heard. Slightly loosen the screws if the clip/hook does not snap in.
***Note: your pool may not contain a Hook**
- g. Install the Logo and repeat the last six steps for the rest of the ledge covers.

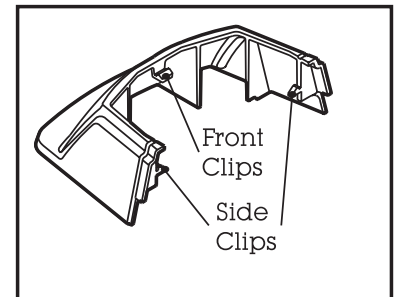
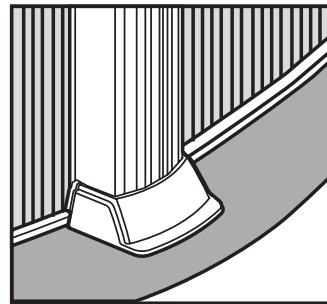
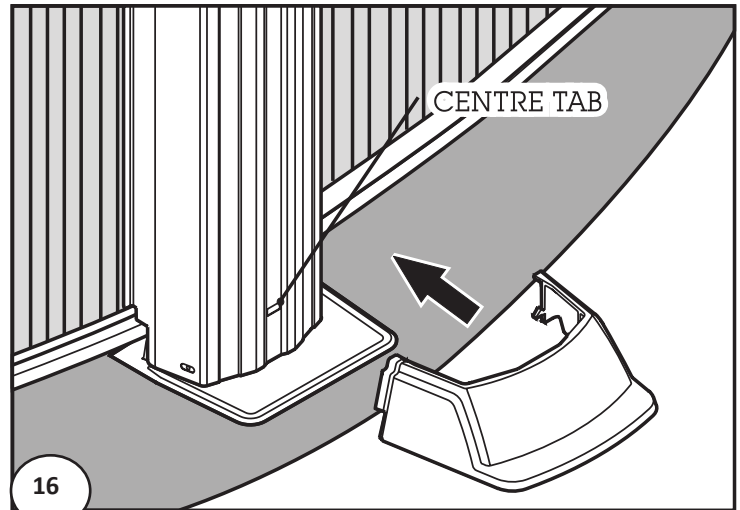


GENERAL INSTRUCTIONS - GIBRALTAR OVAL POOLS ASSEMBLING THE POOL FRAME

C. INSTALL THE FOOT COVER (OPTIONAL)

1. Install the foot cover

- a. If your pool has been supplied with footcovers, the centre tab on the upright will need to be knocked out prior to installation. **(Image 16)**
- b. Place the foot cover on top of the base plate **(Image 16)**. Slide the foot cover towards the pool wall until the side clips and front clip snap into the upright. **Important:** Ensure that the side clips snap into the cutouts for the bottom rails.
- c. Repeat the last step for each of the uprights around the pool wall.



! Important Note:

The pool wall may bulge and shift a little while filling with water. This is normal.

! Important Note:

For the footcover installation on the upright over the buttress, it may be necessary to modify the front clip of the footcover. If the buttress upright behind the vertical blocks the front clip from being inserted, file it down until insertion is possible.

Section
4

GENERAL INSTRUCTIONS - GIBRALTAR OVAL POOLS ASSEMBLING THE POOL WALL

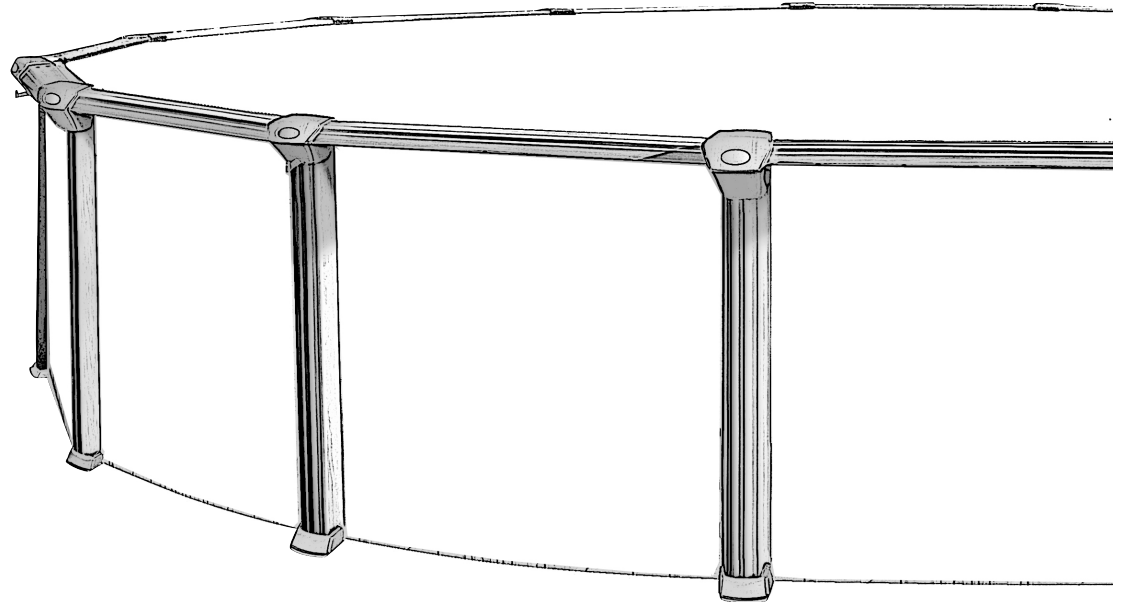
D. FILL YOUR POOL WITH WATER

1. Finish filling the pool

- a. Turn off the vacuum and carefully remove it from the pool.
- b. Fill the pool with water to 2" (5cm) below the lowest opening.
- c. While the pool is filling, remove the nails that were holding the bottom rails in place and ensure that they are still positioned correctly.
- d. Your pool is now installed. You must now install the filter and pump, the skimmer and water return inlet. Please follow the installation instructions that come with these products.

! Important Note:

Before making any openings in the liner, fill the pool with 60cm (24") of water to stretch the liner fully. When filling your pool, begin with a garden hose until there is about 30cm (12") of water in the pool. This will allow the liner to stretch gradually. You can then use a heavier flow to finish filling it up.



! Important Note:

Make sure that your pool's round sections are round, do not assume that by filling up the pool that this will help the pool to place itself into a perfect round shape. Ensure that it is round before filling the pool with water.

IMPORTANT SAFETY INFORMATION:

Please refer to the safety page at the beginning of this instruction manual. You must follow the rules and information regarding placement of safety stickers on your pool.