



BY JOHNSON CONTROLS



***Model YCIV Air-Cooled Screw Liquid Chillers
with Variable Speed Drive
Style A***

150 - 385 TONS
(527 - 1354 kW)
2, 3, and 4 Compressor
60 Hz
ASHRAE 90.1 Compliant
HFC-134a

Table of Contents

Introduction.....	3
Unit Overview.....	4
Accessories and Options	7
Nomenclature.....	9
Temperatures and Flows	10
Water Pressure Drop.....	12
Standard Efficiency Ratings - English - 460V/60Hz.....	16
High Efficiency Ratings - English - 460V/60Hz	20
Standard Efficiency Ratings - SI - 460V/60Hz	24
High Efficiency Ratings - SI - 460V/60Hz.....	28
Standard Efficiency Ratings - English - 380V/60Hz.....	32
High Efficiency Ratings - English - 380V/60Hz	36
Standard Efficiency Ratings - SI - 380V/60Hz	40
High Efficiency Ratings - SI - 380V/60Hz.....	44
Physical Data (English - Standard Efficiency).....	48
Physical Data (English - High Efficiency).....	50
Physical Data (SI - Standard Efficiency).....	52
Physical Data (SI - High Efficiency)	54
Dimensions - English.....	56
Isolator Locations - English	78
Isolator Locations - SI.....	82
Isolator Details.....	86
Electrical Data - 2 Comp Standard Efficiency.....	90
Electrical Data - 2 Comp High Efficiency	92
Electrical Data - 3 & 4 Comp Standard Efficiency	94
Electrical Data - 3 Comp High Efficiency	96
Electrical Notes.....	98
Power Wiring.....	99
Typical Control Wiring - Two Compressor.....	102
Typical Control Wiring - Three Compressor	104
Application Data.....	108
Guide Specifications	109

PERFORMANCE DATA PROVIDED IN THIS DOCUMENT WAS CREATED IN ACCORDANCE WITH JOHNSON CONTROLS SOFTWARE: YORKWORKS VERSION 13.02 AND DXCHILL VERSION 6.04



Products are produced at a facility whose quality-management systems are ISO9001 certified.

YORK YCIV Air-Cooled Screw Liquid Chillers



Johnson Controls has a proud history of innovation in both compressor design and variable-speed-drive (VSD) technology. The Latitude™ series of air-cooled chillers uses the best of modern screw compressor design and manufacturing techniques and combines them with the latest in a long line of chiller variable speed drives. The result is superior control and industry leading efficiency at real world conditions. In addition, by slowing the speed of the chiller to match system requirements at off-design conditions, the chiller sound output is reduced when it is the most sensitive to neighbors – evenings and weekends.

With the introduction of the YCIV model air-cooled chiller, system designers have the opportunity to design around the traditional benefits of air-cooled chillers and still offer building owners the most up-to-date energy-efficient system design. In the past, the choice to use an air-cooled chiller came with the expectation of compromise, where simplicity of design and maintenance were traded for performance and efficiency. Now, installing the Latitude allows for a combining the best of both worlds can provide a design that truly delivers the lowest total cost of ownership.

POWER AND ELECTRICAL

- Johnson Controls has over 25 years of experience designing variable speed drives specifically for chiller applications. The result is an extremely reliable air-cooled chiller system that offers industry leading efficiency at real world operating conditions, valve-less compressor loading/unloading, excellent capacity control, high power factor and soft start.
- All controls and motor starting equipment necessary for unit operation shall be factory wired and function tested.
- VSD Power/Control Panel includes main power connection(s), VSD and fan motor contactors, current overloads, and factory wiring. Standard design includes NEMA 3R (IP55) rating, powder painted steel cabinet with hinged, latched, and gasket sealed outer doors equipped with wind struts for safer servicing.
- VSD section of power panel includes a dedicated inverter for each compressor.
- The panel includes a control display access door so display and control features can be accessed without opening main cabinet doors.
- The chillers come standard with single point power connection. In addition, all models are supplied with a factory mounted and wired control transformer that will supply all unit control voltage from the main unit power supply. The transformer utilizes scheduled line voltage on the primary side and provides 115V/1Ø on secondary.
- The standard power panel is equipped with terminal block electrical connections at the point of incoming power. An optional factory mounted circuit breaker is available, at the point of the incoming single point connection, providing the means to disconnect power and short circuit protection. The optional lockable operating handle extends through the power panel door so that power may be disconnected without opening any panel doors.
- Short Circuit Withstand Rating of the chiller electrical enclosure is 30,000 Amps for standard terminal block connection. These ratings are IAW (in accordance with) UL508. (See Accessories and Options section. They can be increased to 65,000 Amps for 380, 400 & 460V).
- Compressor motors are powered by a variable speed drive. Therefore, motor current never exceeds the rated load amps (RLA), providing soft starts with no electrical inrush. This eliminates the motor heating and stress always found with conventional motor starters. In addition, by eliminating the heat buildup during starting, the required off-time between starts is reduced to a maximum of two minutes.

- Many utility companies charge an additional fee if power factor is below 0.95. These power factor adjustments/penalties can affect both regular tariff rates, as well as demand charges. All YCIV models have a full load displacement power factor of 95% and maintain this level throughout the operating range. Specifications should always require the installing contractor to be responsible for additional cost to furnish and install power factor correction capacitors if they are not factory mounted and wired.

SEMI-HERMETIC YORK TWIN SCREW COMPRESSORS

Johnson Controls Engineered Systems' Chiller Design Team has developed a world class compressor with unequalled performance:

- Continuous function, microprocessor controlled, VSD provides valveless, smooth capacity control from 100% down to 10% of chiller capacity for two compressor chillers, 100% down to 7.5% for three compressor chillers, and 100% down to 5% for four compressor chillers. In addition, elimination of the slide valve and associated unloading components resulted in a 50% reduction in compressor moving parts.
- Compressors are direct drive, semi hermetic, rotary twin-screw type, including: muffler, temperature actuated 'off-cycle' heater, rain-tight terminal box, discharge shut-off service valve, and precision machined cast iron housing mounted on elastomeric isolators.
- Reliable suction-gas-cooled, high-efficiency, accessible hermetic compressor motor, full suction gas flow through 0.006" maximum mesh screen, with inherent internal thermal overload protection and external current overload on all three phases.
- Suction gas screen and serviceable, 0.5 micron full flow oil filter within the compressor housing.
- Cast iron compressor housing precisely machined for optimal clearances and superb efficiency. Entire compressor, from suction to discharge has a Design Working Pressure of 350 psig (24 barg) or higher.

REFRIGERANT CIRCUIT

- Independent refrigerant circuits per compressor, each using copper refrigerant pipe formed on computer-controlled bending machines. This eliminates over 60% of system piping brazed joints as compared to designs that use fittings, resulting in a highly reliable and leak resistant system.
- Liquid line components include: liquid line shut-off valve with charging port, low side pressure relief device, high adsorption removable core filter-drier, sight

glass with moisture-indicator, and electronic expansion valve.

- Discharge line provided with manual compressor shutoff service valve (See Options and Accessories for suction line valve). Suction line equipped with closed-cell insulation.
- Insulated external oil separators with no moving parts, 450 psig (31 barg) design working pressure, and UL listing. Refrigerant system differential pressure provides oil flow through service replaceable, 0.5 micron, full flow, cartridge type oil filter internal to compressor.
- Oil cooling is provided by a dedicated air-cooled finned-tube type heat exchanger located in the condenser section of the machine.
- A flash tank is located in each refrigerant circuit to increase the system efficiency. The design working pressure is 450 psig (31 barg).
- Suction lines, oil separators and flash tanks are covered with closed-cell insulation.

EVAPORATOR

- High efficiency, direct-expansion type cooler with refrigerant in tubes and chilled liquid through the baffled shell. Independent circuits provided for each compressor.
- Design working pressure of the shell waterside is 150 psig (10.3 barg), and 235 psig (16 barg) for the refrigerant side. The evaporator is constructed and tested IAW applicable sections of ASME Pressure Vessel Code, Section VIII, Division (1). Water side exempt per paragraph U-1, ©, (6).
- Removable heads allow access to the internally-enhanced, seamless, copper tubes. Water vent and drain connections are also included.
- The evaporator is equipped with a thermostatically controlled heater for protection to -20°F (-29°C) ambient, and shell is covered with 3/4" (19mm), flexible, closed-cell insulation, thermal conductivity of 0.26k maximum. 1-1/2" (38mm) foam available as an option.
- Water nozzles have grooves for mechanical (ANSI/AWWA C-606) couplings, and shall be insulated by Contractor after pipe installation. (See the Accessories and Options section for flange options).

CONDENSER SECTION

- Condenser fans are dynamically and statically balanced, direct-drive, corrosion resistant glass fiber reinforced composite blades molded into a low noise, full airfoil cross section, providing vertical air discharge from extended orifices. Guards of heavy gauge, PVC (polyvinyl chloride) coated.

- Standard and reduced sound level models have condensers fitted with single-speed fans. Low sound models have two-speed fans fitted.
- The fan motors are the high efficiency, direct drive, 6 pole on standard sound models and 8 pole on reduced and low sound models, 3 phase, Class-"F", current overload protected, totally enclosed (TEAO) type with double sealed, permanently lubricated, ball bearings
- Fin and tube condenser coils constructed of seamless, internally enhanced, high condensing coefficient, corrosion resistant copper tubes arranged in staggered rows and mechanically bonded to corrosion resistant alu-minum alloy fins with full height fin collars. Design working pressure is 450 psig (31 barg).

MICROCOMPUTER CONTROL CENTER

- The microcomputer control center provides automatic control of chiller operation including compressor start/stop and load/unload, anti-recycle timers, condenser fans, evaporator pump, evaporator heater, unit alarm contacts and run signal contacts.
- Chiller automatically resets to normal chiller operation after power failure.
- Unit operating software is stored in non-volatile memory. Field programmable set points are retained in lithium battery backed regulated time clock (RTC) memory for minimum 5 years.
- Alarm contacts are provided to remote alert contacts for any unit or system safety fault.
- Display and Keypad:
 - ◆ The display contains an 80 character liquid crystal display that is both viewable in direct sunlight and has LED backlighting for nighttime viewing. One keypad and display panel is provided with every chiller.
 - ◆ Display and keypad is accessible through display access door without opening main control/electrical cabinet doors.
 - ◆ Display provides unit setpoints, status, electrical data, temperature data, pressures, safety lockouts and diagnostics without the use of a coded display.
 - ◆ The display provides descriptions in English (or available language options), numeric data in English (or Metric) units.
 - ◆ Sealed keypad shall include unit On/Off switch.
- Programmable Setpoints (within Manufacturer limits): display language; leaving chilled liquid temperature: setpoint, control range; local or remote control; units of measure; compressor lead/lag; and maximum chilled water setpoint reset temperature range.

Unit Overview - continued

- Display Data: Chiller liquid return and leaving temperatures, ambient, lead compressor identification, clock and schedule, (variable) out of range, remote input indication, chilled liquid reset setpoint, and history data for last ten shutdown faults. Also provided are messages for compressor suction, discharge, and oil pressures and temperatures, suction and discharge superheats, percent of full-load, operating hours, starts, and anti-recycle timer status. Status Messages for manual override, unit switch off, compressor run, run permissive, remote controlled shut down, no cooling load, daily/holiday shut down, anti-recycle timer.
- During extreme or unusual conditions (i.e. blocked condenser coils, ambient above scheduled maximum, etc.) the chiller control system will avoid safety shut-down by varying the chiller controls and cooling load output to stay online and avoid safety limits being reached. This allows maximum possible cooling capacity until the unusual condition is cleared and avoids costly shutdowns. The system monitors the following parameters and maintains the maximum cooling output possible without shutdown of the equipment: motor current, suction pressure and discharge pressure.
- System Safeties are provided for individual compressor systems to perform auto-reset shut down (manual reset required after the third trip in 90 minutes). Safeties include: high discharge pressure or temperature, low suction pressure, high/low motor current, high motor temperature, high pressure switch, high/low differential oil pressure, high oil temperature, low suction superheat, critical sensor malfunction, low or high current, phase loss/single phase power, overload of motor windings, and low voltage.
- Unit Safeties are provided for the chiller to perform auto-reset shut down for the following conditions: high or low ambient, low leaving chilled liquid temperature, under voltage, and flow switch operation.
- Each compressor is installed on its own independent refrigerant circuit, which is factory pressure tested, evacuated, then fully charged with HFC-134a refrigerant and oil.
- After assembly, an operational test is performed with water flowing through the cooler to ensure each circuit operates correctly.
- Unit panels, structural elements, control boxes and heavy gauge structural base shall be constructed of galvanized steel. Unit panels, control boxes and structural base are finished with a baked on powder paint. All painted surfaces shall be coated with baked on powder paint which, when subject to ASTM B117, 1,000 hour, 5% salt spray test, yields minimum ASTM 1654 rating of "6".
- Design is IAW applicable sections of ASME Pressure Vessel Code, NFPA 70 (National Electrical Code), U.L. and cU.L. standards and ASHRAE/ANSI-15 Safety Code for Mechanical Refrigeration.
- Units are rated (all) and certified (140 - 200 tons) IAW AHRI Standard 550/590.
- Design is IAW ASHRAE 90.1 Energy Standard for Building except Low-Rise Residential Buildings and AHRI 70 Sound Rating of Large Outdoor Refrigeration and Air Conditioning Equipment.
- YCIV chillers are designed within EN ISO 9001 and built within an EN ISO 9002 accredited manufacturing organization.
- All exposed power wiring routed through liquid-tight, UV-stabilized, non-metallic conduit.
- When required, chillers (50 Hz only) have the option available to conform to the following European Directives:
 - Machinery directive (2006/42/EC)
 - Low Voltage Directive (2006/95/EC)
 - EMC Directive (2004/108/EC)
 - Pressure Equipment Directive (97/23/EC)
 - Safety Code for Mechanical Refrigeration (EN378-2 (2008))

COMPLETE FACTORY PACKAGE

- These air-cooled chillers are shipped as a complete factory package. Each unit is completely assembled with all interconnecting refrigerant piping and internal wiring, ready for field installation:

Accessories and Options

SOUND REDUCTION OPTIONS

The standard chiller has fans that operate at normal speed, no compressor enclosure, and is typically used in non-sensitive sound areas such as industrial areas or locations with loud traffic background noise. One or more of the following sound reduction options may be employed by the system designer as normally generated machine noise is considered in the overall project design.

ULTRA QUIET FANS – With this option, the basic chiller is equipped with specially designed fans and motors to provide lower sound levels and retain appropriate airflow. The result is reduced fan generated noise with minimal effect on the chiller capacity or efficiency at standard AHRI conditions. **(Factory-mounted)**

TWO-SPEED FANS – With this option, the basic chiller is equipped with fans designed with two operating speeds. At high ambient conditions the fans operate at the normal speed with sound levels equivalent to Ultra Quiet Fans. As the ambient temperature falls the fans automatically reduce to slow speed reducing sound levels. If very low sound is required at all ambient conditions normal fan speed can be inhibited. **(Factory-mounted)**

REDUCED SOUND OPTION – With this option the chiller is equipped with an unlined compressor enclosure. This option is typically used for daytime operation where background noise is lower than normal city traffic etc. **(Factory-mounted)**

LOW SOUND OPTION – This option is only available with the selection of Ultra Quiet Fans or Two-Speed Fans. The chiller is equipped with an acoustically lined compressor enclosure. This option is typically for locations near residential areas, hotels, or hospitals etc where background noise is limited. When paired with the Two-Speed Fan option the unit can operate at normal speed during the day, when background noise levels are noticeable, and at low speed in the evening and at night when background levels are lower. **(Factory-mounted)**

SilentNight™ - Standard variable speed compressors result in a chiller system that has lower part load sound values than conventional air-cooled chillers. Over 99% of chiller operating hours occur when building loads are less than design and/or ambient temperatures are less than design. As a result, all YCIV model chillers will operate with less than full load sound output nearly all the time – this is especially important on evenings and weekends when neighbors are home the most. Due to time of day based sound regulations it may be desirable to force the chiller to a lower sound level on demand. The **SilentNight™** control option provides a control input to limit sound output of the chiller based on time of day. This feature is programmable at the chiller panel or can be controlled remotely via signal (4-20mA or 0-10 VDC) from a BAS system.

HIGH STATIC FANS - (380V/60Hz) Condenser fans with higher power motors suitable for high external static pressure, upto 100Pa (0.4 in. water), across condenser coils. Select this option if additional air-flow resistance may be present due to flow restrictions such as field installed ducts, filters, sound-enclosures etc. **(Factory-mounted)**

HIGH AIRFLOW FANS - (380V/60Hz) Condenser fans with airfoil type blades and high power motors providing extra airflow across coils. In some chiller configurations, this option can provide an increase in chiller capacity. Please contact your local JCI representative for more information. **(Factory-mounted)**

CONDENSER COIL PROTECTION

Standard condenser coil construction materials include aluminum fins, copper tubes, and galvanized tube supports for generally good corrosion resistance. However, these materials are not adequate for all environments. The system designer can take steps to inhibit coil corrosion in harsh applications and enhance equipment life by choosing from these options based on project design parameters and related environmental factors. **(Factory-mounted)**

- **PRE-COATED FIN CONDENSER COILS** – The air-cooled condenser coils are constructed of epoxy-coated aluminum fins. This can provide corrosion resistance comparable to copper-fin coils in typical seashore locations. Either these or the post coated coils (below), are recommended for units being installed at the seashore or where salt spray may hit the unit.
- **POST-COATED EPOXY DIPPED CONDENSER COILS** – The unit is built with dipped-cured epoxy condenser coils. This is another choice for seashore and other corrosive applications (with the exception of strong alkalis, oxidizers and wet bromine, chlorine and fluorine in concentrations greater than 100 ppm).
- **COPPER FIN CONDENSER COILS** – The unit constructed with copper tube condenser coils, which have copper fins. (This is not recommended for units in areas where they may be exposed to acid rain.)

PROTECTIVE CHILLER PANELS:

- **Wire Panels (full unit)** – UV stabilized black polyvinyl chloride coated, heavy gauge, welded wire mesh guards mounted on the exterior of the unit. Protects condenser coil faces and prevents unauthorized access to refrigerant components (compressors, pipes, cooler, etc.), yet provides free air flow. This can cut installation cost by eliminating the need for separate, expensive fencing. **(Factory-mounted)**

Accessories and Options

- **Louvered Panels (condenser coils only)** – Louvered panels, painted the same color as the unit, are mounted over the exterior condenser coil faces on the sides of the unit to visually screen and protect coils. (**Factory-mounted**)
- **Louvered Panels (full unit)** – Louvered panels, painted the same color as the unit, enclose the unit to protect condenser coils from incidental damage, visually screen internal components, and prevent unauthorized access to internal components. (**Factory-mounted**)
- **Louvered (Condensers)/Wire Panels (Mechanical)** – Louvered panels, painted the same color as the unit, are mounted on external condenser coil faces. Heavy gauge, welded wire-mesh, coated to resist corrosion, around base of machine to restrict unauthorized access. (**Factory-mounted**)

EVAPORATOR OPTIONS:

- **1-1/2" Insulation** – Double thickness insulation provided. (**Factory-mounted**)
- **Raised Face Flange Accessory** for cooler nozzles:
 - ◆ 150 psig (10.3 barg), welded flanges (field kit, matching pipe flange by contractor).
 - ◆ 150 psig (10.3 barg) companion weld flanges. (field kit - Not available with 460V units).
 - ◆ 150 psig (10.3 barg), ANSI/AWWA C-606 COUPLINGS (field kit, matching pipe flange by contractor).
- **Opposite Handed Evaporator Water Connections** for ease of installation. Standard water connections are on the left-hand side of the unit, when viewed from the control panel end.

GENERAL OPTIONS:

FLOW SWITCH ACCESSORY - Vapor proof SPDT, NEMA 3R switch, 150 psig (10.3 barg) DWP, 20°F to 250°F (-7°C to 121°C) with 1" NPT (IPS) connection for upright mounting in horizontal pipe (This flow switch or equivalent must be furnished with each unit). (**Field-mounted**).

DIFFERENTIAL PRESSURE SWITCH - Alternative to the paddle-type flow switch. 3-45 psig (0.2-3 barg) range with 1/4" NPTE pressure connections. (**Field-mounted**)

BUILDING AUTOMATION SYSTEM INTERFACE - Chiller to accept 4 to 20mA or 0 to 10 VDC input to reset the leaving chilled liquid temperature. (**Factory-mounted**)

MULTI-UNIT SEQUENCE CONTROL - Separate sequencing control center provided to permitting control

of up to eight chillers in parallel based on mixed liquid temperature (interconnecting wiring by others). (**Field-mounted**)

SERVICE ISOLATION VALVE – Service suction isolation valve added to unit for each refrigerant circuit. (**Factory-mounted**)

CHICAGO CODE RELIEF VALVE - Special relief valves per Chicago code. (**Factory-mounted**)

PRESSURE RELIEF (CE/PED) SERVICE VALVE KIT - Each relief valve is mounted on a sealable ball valve to aid maintenance. (**Factory-mounted**)

CIRCUIT BREAKER – Power panel will come equipped with a factory mounted circuit breaker at the point of incoming single or multi-point connections that provides the following:

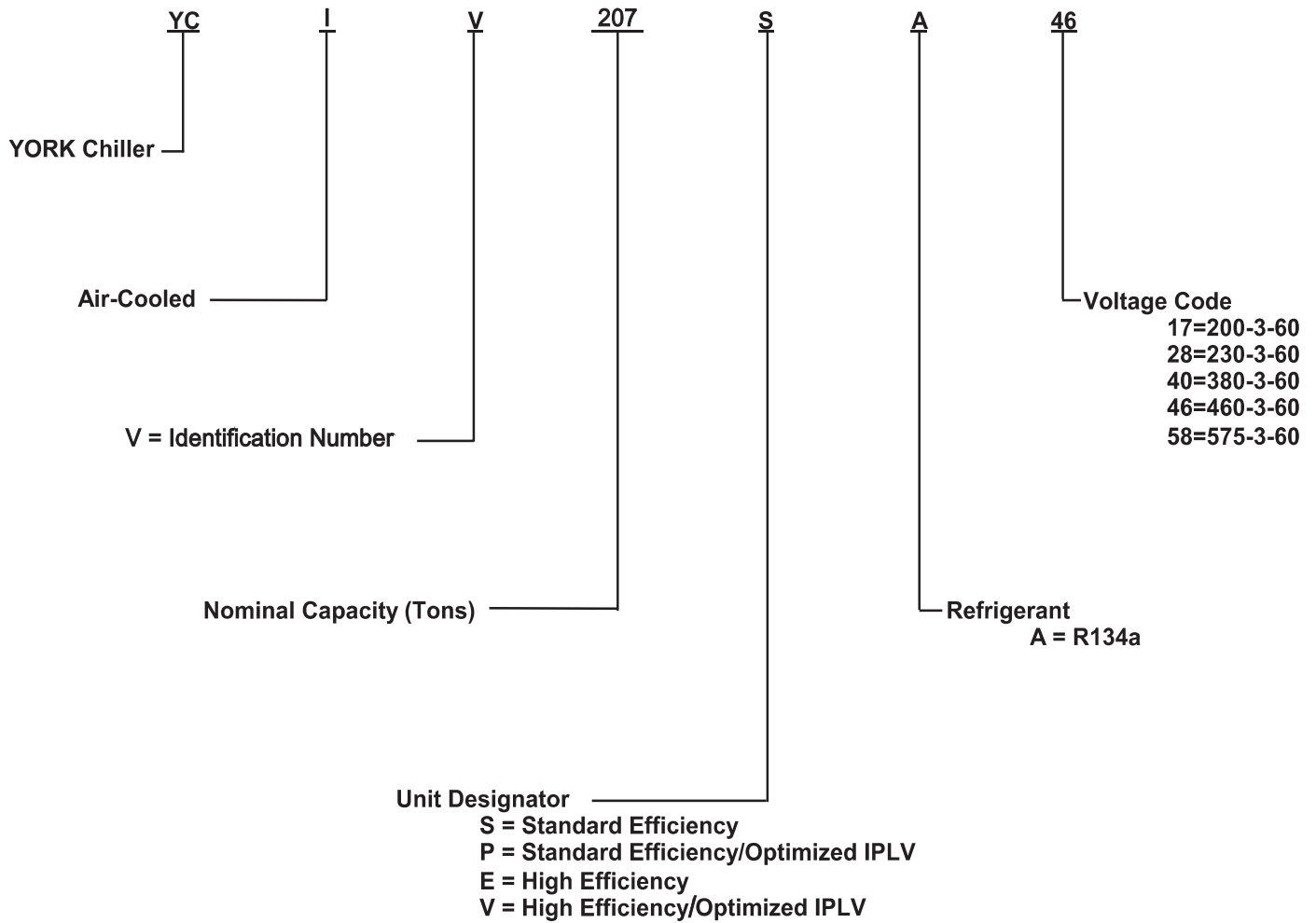
- A means to disconnect power mounted on chiller.
- Circuit breaker(s) sized to provide the motor branch circuit protection, short circuit protection and ground fault protection for the motor branch-circuit conductors, the motor control apparatus and the motors. (Chiller mounted circuit breaker option sized for branch circuit protection eliminates the need to provide a separate 'line of sight' disconnect and separate branch circuit protection device.)
- A lockable operating handle that extends through power panel door. This allows power to be disconnected without opening any panel doors.
- A Short Circuit Withstand Rating of 65,000 amps when the chiller electrical enclosure when using circuit breaker option is 380, 400, & 460. Rated IAW UL508.

VIBRATION ISOLATION:

- **Elastomeric Isolation** – This option is recommended for normal installations. It provides very good performance in most applications for the least cost. (**Field-mounted**)
- **1" Spring Isolators** – Spring and cage type isolators for mounting under the unit base rails. They are level adjustable. 1" nominal deflection may vary slightly by application. (**Field-mounted**)
- **2" Seismic Spring Isolators** – Restrained Spring-Flex Mounting isolators incorporate a rugged welded steel housing with vertical and horizontal limit stops. Housings designed to withstand a minimum 1.0g accelerated force in all directions up to 2" (51mm). The deflection may vary slightly by application. They are level adjustable. (**Field-mounted**)

NOMENCLATURE

The Model Number denotes the following characteristics of the unit:



TEMPERATURE AND FLOWS (English Units)

MODEL NUMBER YCIV	LEAVING WATER TEMPERATURE (°F)		COOLER ³ FLOW (GPM)		AIR ON CONDENSER (°F)	
	MIN. ¹	MAX. ²	MIN.	MAX.	MIN.	MAX
60 HZ						
0157(S/P)	40	60	140	675	0	125
0157(E/V)	40	60	160	750	0	125
0177(S/P)	40	60	160	750	0	125
0177(E/V)	40	60	160	750	0	125
0187(S/P)	40	60	160	750	0	125
0187(E/V)	40	60	160	750	0	125
0197(E/V)	40	60	180	750	0	125
0207(S/P)	40	60	180	800	0	125
0207(E/V)	40	60	180	750	0	125
0227(S/P)	40	60	180	800	0	125
0227(E/V)	40	60	180	750	0	125
0247(S/P)	40	60	180	800	0	125
0247(E/V)	40	60	180	800	0	125
0267(S/P)	40	60	180	800	0	125
0267(E/V)	40	60	250	1200	0	125
0287(S/P)	40	60	250	1200	0	125
0287(E/V)	40	60	250	1200	0	125
0307(S/P)	40	60	300	1200	0	125
0327(E/V)	40	60	300	1200	0	125
0357(S/P)	40	60	300	1200	0	125
0357(E/V)	40	60	300	1200	0	125
0397(S/P)	40	60	300	1200	0	125
0457(P)	40	60	400	1400	0	125

NOTES:

1. For leaving brine temperature below 40°F (4.4°C), contact your nearest Johnson Controls office for application requirements.
2. For leaving water temperature higher than 60°F (15.6°C), contact the nearest Johnson Controls office for application guidelines.
3. The evaporator is protected against freezing to -20°F (-28.8°C) with an electric heater as standard.

TEMPERATURE AND FLOWS (SI Units)

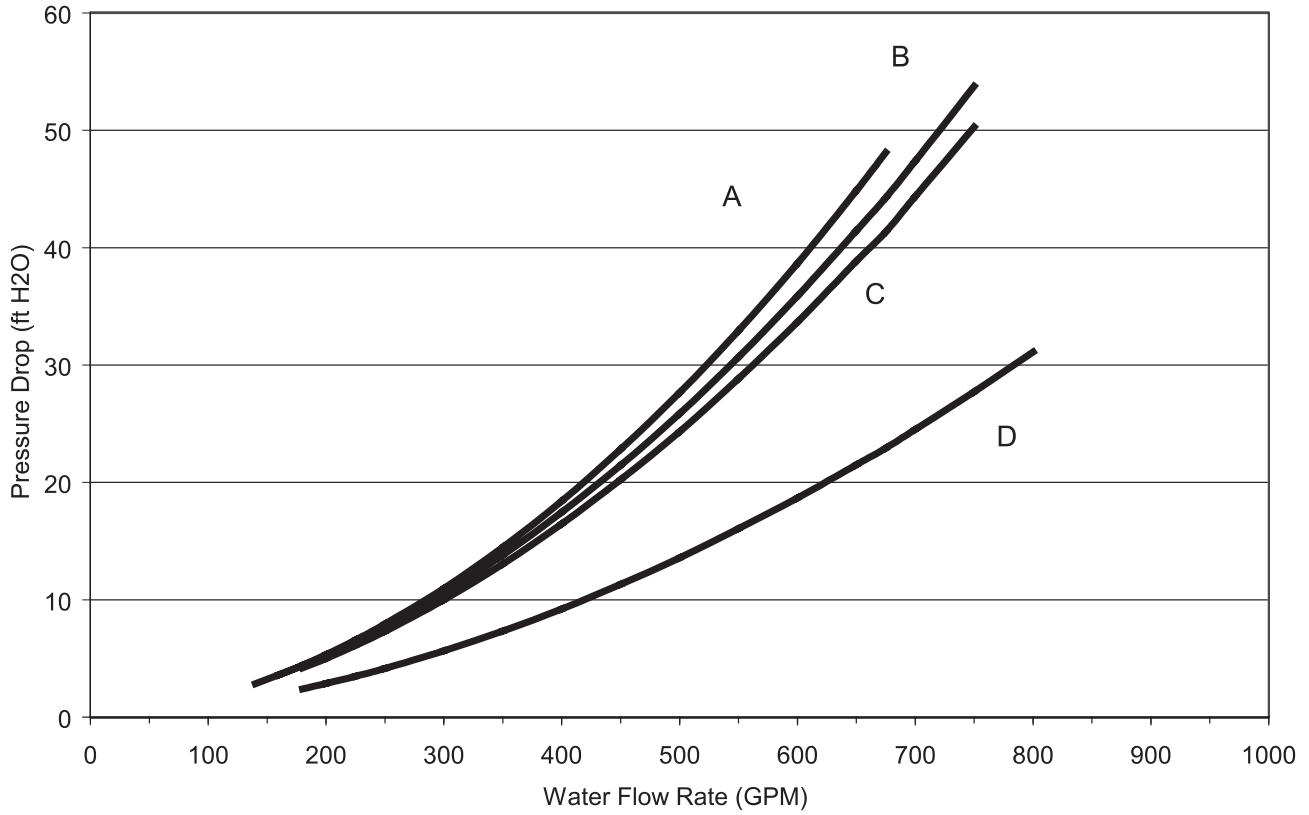
MODEL NUMBER YCIV	LEAVING WATER TEMPERATURE (°C)		COOLER ³ FLOW (L/S)		AIR ON CONDENSER (°C)	
	MIN. ¹	MAX. ²	MIN.	MAX.	MIN.	MAX
60 HZ						
0157(S/P)	4.4	15.6	8.8	42.6	-17.8	51.7
0157(E/V)	4.4	15.6	10.1	47.3	-17.8	51.7
0177(S/P)	4.4	15.6	10.1	47.3	-17.8	51.7
0177(E/V)	4.4	15.6	10.1	47.3	-17.8	51.7
0187(S/P)	4.4	15.6	10.1	47.3	-17.8	51.7
0187(E/V)	4.4	15.6	10.1	47.3	-17.8	51.7
0197(E/V)	4.4	15.6	11.4	47.3	-17.8	51.7
0207(S/P)	4.4	15.6	11.4	50.5	-17.8	51.7
0207(E/V)	4.4	15.6	11.4	47.3	-17.8	51.7
0227(S/P)	4.4	15.6	11.4	50.5	-17.8	51.7
0227(E/V)	4.4	15.6	11.4	47.3	-17.8	51.7
0247(S/P)	4.4	15.6	11.4	50.5	-17.8	51.7
0247(E/V)	4.4	15.6	10.1	47.3	-17.8	51.7
0267(S/P)	4.4	15.6	11.4	50.5	-17.8	51.7
0267(E/V)	4.4	15.6	11.4	50.5	-17.8	51.7
0287(S/P)	4.4	15.6	15.8	75.7	-17.8	51.7
0287(E/V)	4.4	15.6	15.8	75.7	-17.8	51.7
0307(S/P)	4.4	15.6	18.9	75.7	-17.8	51.7
0327(E/V)	4.4	15.6	18.9	75.7	-17.8	51.7
0357(S/P)	4.4	15.6	18.9	75.7	-17.8	51.7
0357(E/V)	4.4	15.6	18.9	75.7	-17.8	51.7
0397(S/P)	4.4	15.6	18.9	75.7	-17.8	51.7
0457(P)	4.4	15.6	25.2	88.2	-17.8	51.7

NOTES:

1. For leaving brine temperature below 40°F (4.4°C), contact your nearest Johnson Controls office for application requirements.
2. For leaving water temperature higher than 60°F (15.6°C), contact the nearest Johnson Controls office for application guidelines.
3. The evaporator is protected against freezing to -20°F (-28.8°C) with an electric heater as standard.

ENGLISH UNITS

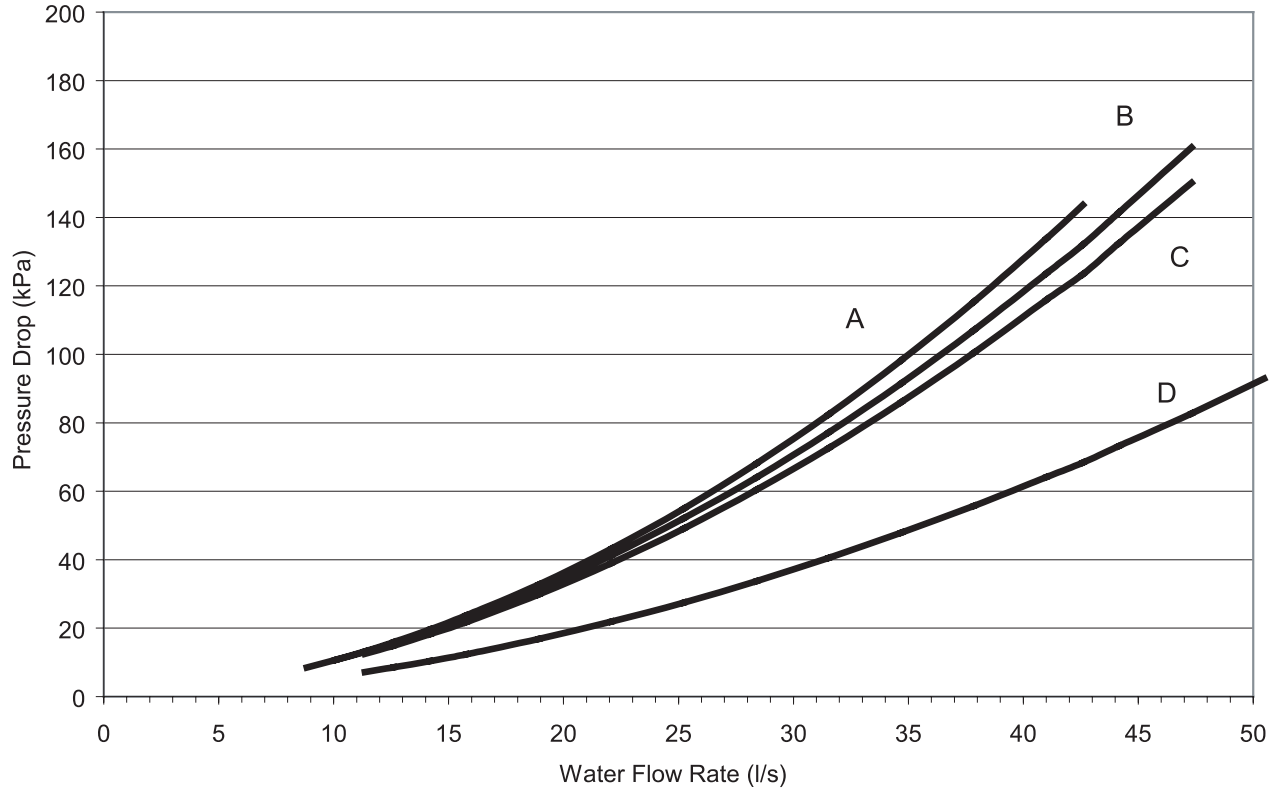
Pressure Drop Through Two Circuit YCIV Evaporators



COOLER	MODEL NUMBER YCIV
	60Hz
A	0157(S/P)
	0157(E/V)
B	0177(S/P/E/V)
	0187(S/P/E/V)
C	0197(E/V)
	0207(E/V)
	0227(E/V)
D	0207(S/P)
	0227(S/P)
	0247(S/P/E/V)
	0267(S/P)

SI UNITS

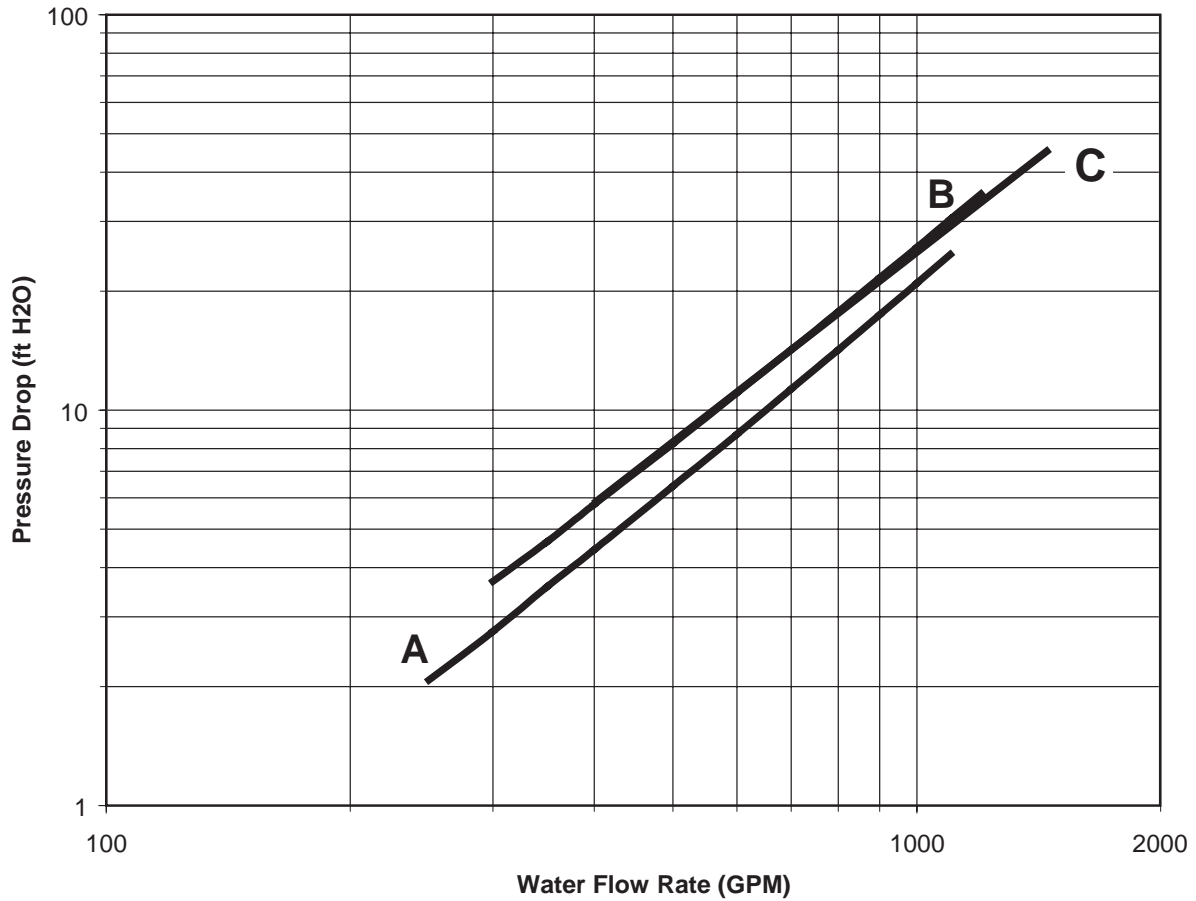
Pressure Drop Through Two Circuit YCIV Evaporators



COOLER	MODEL NUMBER YCIV
	60Hz
A	0157(S/P)
	0157(E/V)
B	0177(S/P/E/V)
	0187(S/P/E/V)
C	0197(E/V)
	0207(E/V)
	0227(E/V)
D	0207(S/P)
	0227(S/P)
	0247(S/P/E/V)
	0267(S/P)

ENGLISH UNITS

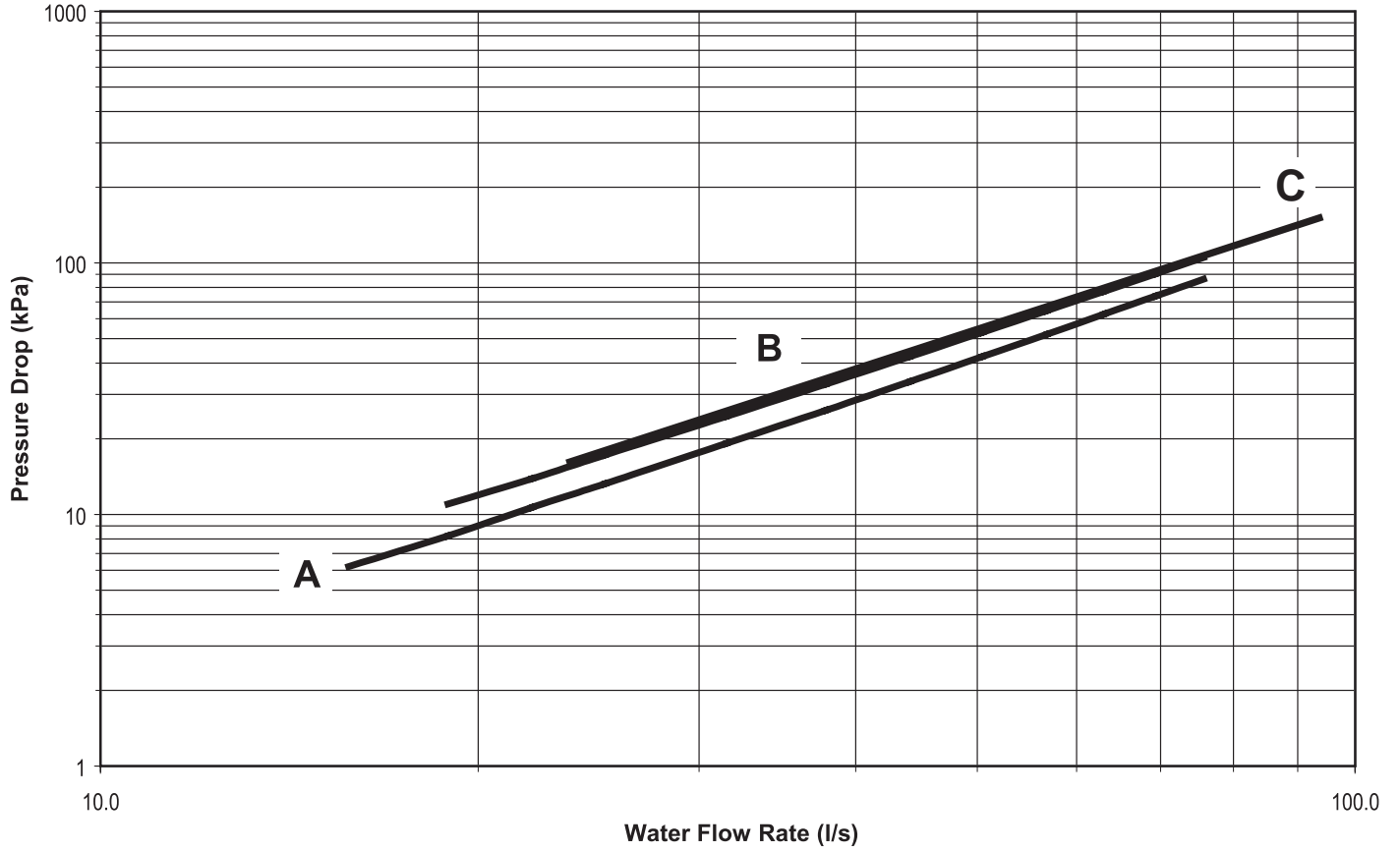
Pressure Drop Through Three and Four Circuit YCIV Evaporators



EVAP	YCIV MODELS
	60Hz
A	0267EA/VA
	0287SA/PA
	0287EA/VA
B	0307SA/PA
	0327EA/VA
	0357SA/PA
	0357EA/VA
C	0397SA/PA
	0457PA

SI UNITS

Pressure Drop Through Three and Four Circuit YCIV Evaporators



EVAP	YCIV MODELS
	60Hz
A	0267EA/VA
	0287SA/PA
	0287EA/VA
B	0307SA/PA
	0327EA/VA
	0357SA/PA
	0357EA/VA
C	0397SA/PA
	0457PA

Standard Efficiency Ratings - English - 460V/60Hz

MODEL: YCIV0157S/P **S_IPLV = 13.2** **P_IPLV = 14.5**

AIR TEMPERATURE ON - CONDENSER (°F)																											
LCWT (°F)	75			80			85			90			95			100			105			110			115		
	TONS	KW	EER	TONS	KW	EER	TONS	KW	EER	TONS	KW	EER	TONS	KW	EER	TONS	KW	EER	TONS	KW	EER	TONS	KW	EER	TONS	KW	EER
40.0	149.1	131.5	12.3	148.0	141.8	11.4	146.7	152.6	10.6	145.4	164.1	9.8	143.9	176.0	9.1	142.2	189.4	8.4	138.9	202.0	7.7	133.5	212.3	7.1	127.9	223.1	6.5
42.0	153.7	132.5	12.6	152.5	142.6	11.7	151.2	153.5	10.9	149.8	165.0	10.1	148.2	177.0	9.3	146.5	190.5	8.6	142.7	202.7	7.9	137.0	213.2	7.3	131.3	223.9	6.6
44.0	158.3	133.5	12.9	157.1	143.6	12.0	155.7	154.4	11.1	154.3	165.9	10.3	152.6	177.9	9.6	150.8	191.5	8.8	146.5	203.4	8.1	140.6	214.0	7.4	134.7	224.7	6.8
45.0	160.7	134.0	13.1	159.4	144.1	12.1	158.1	154.9	11.3	156.5	166.4	10.4	154.9	178.4	9.7	153.0	192.0	8.9	148.4	203.7	8.2	142.5	214.3	7.5	136.5	225.0	6.9
46.0	163.1	134.6	13.2	161.8	144.6	12.3	160.4	155.4	11.4	158.8	166.9	10.6	157.1	178.9	9.8	155.2	192.5	9.0	150.4	204.0	8.3	144.3	214.7	7.6	138.3	225.4	6.9
48.0	167.9	135.7	13.5	166.6	145.7	12.6	165.1	156.5	11.7	163.5	167.9	10.8	161.7	180.0	10.0	159.7	193.6	9.3	154.3	204.7	8.5	148.1	215.4	7.8	141.8	226.3	7.1
50.0	172.8	137.0	13.8	171.4	146.9	12.8	169.9	157.7	11.9	168.2	169.0	11.1	166.4	181.1	10.3	164.3	194.7	9.5	158.2	205.4	8.7	151.9	216.1	7.9	145.5	227.0	7.3
52.0	177.8	138.4	14.0	176.4	148.2	13.1	174.8	158.9	12.2	173.1	170.2	11.3	171.2	182.3	10.5	168.6	195.6	9.7	162.2	206.1	8.9	155.8	216.8	8.1	149.2	227.6	7.4
55.0	185.4	140.6	14.4	184.0	150.3	13.5	182.3	160.8	12.6	180.5	172.1	11.7	178.5	184.1	10.8	175.0	196.8	10.0	168.3	207.2	9.2	161.7	217.8	8.4	151.7	218.9	7.8

MODEL: YCIV0177S/P **S_IPLV = 13.0** **P_IPLV = 14.8**

AIR TEMPERATURE ON - CONDENSER (°F)																											
LCWT (°F)	75			80			85			90			95			100			105			110			115		
	TONS	KW	EER	TONS	KW	EER	TONS	KW	EER	TONS	KW	EER	TONS	KW	EER	TONS	KW	EER	TONS	KW	EER	TONS	KW	EER	TONS	KW	EER
40.0	165.7	144.7	12.6	164.2	156.2	11.6	162.4	168.5	10.7	160.5	181.2	9.9	158.4	194.4	9.1	154.6	205.6	8.5	149.9	214.6	7.9	143.5	222.1	7.3	130.1	211.5	6.9
42.0	170.9	145.7	12.9	169.3	157.3	11.9	167.5	169.5	11.0	165.5	182.3	10.1	163.3	195.6	9.4	159.1	206.2	8.7	154.0	215.3	8.1	147.5	222.8	7.5	131.8	207.2	7.2
44.0	176.1	146.8	13.2	174.6	158.3	12.2	172.8	170.6	11.3	170.7	183.5	10.4	168.4	196.8	9.6	163.8	206.8	8.9	158.3	215.8	8.3	151.5	223.4	7.7	133.6	203.1	7.4
45.0	178.8	147.5	13.3	177.2	158.9	12.3	175.4	171.1	11.4	173.3	184.0	10.5	171.0	197.5	9.7	166.1	207.1	9.0	160.5	216.0	8.4	153.5	223.7	7.8	134.5	200.9	7.5
46.0	181.5	148.2	13.5	179.9	159.5	12.5	178.1	171.7	11.5	175.9	184.6	10.7	173.5	197.8	9.9	168.5	207.3	9.2	162.6	216.2	8.5	155.6	224.0	7.9	135.3	198.6	7.7
48.0	186.9	149.5	13.8	185.4	160.8	12.8	183.5	173.0	11.8	181.3	185.9	10.9	178.4	198.3	10.1	173.3	207.9	9.4	167.0	216.6	8.7	159.8	224.5	8.1	137.0	194.3	7.9
50.0	192.4	151.0	14.0	190.8	162.2	13.0	189.0	174.3	12.1	186.7	187.2	11.2	183.4	198.8	10.4	178.2	208.4	9.6	171.5	217.0	8.9	162.8	221.6	8.3	138.3	189.5	8.2
52.0	198.0	152.6	14.3	196.4	163.7	13.3	194.5	175.8	12.3	192.2	188.6	11.4	188.5	199.4	10.6	183.1	209.0	9.9	176.0	217.4	9.1	164.7	216.6	8.6	139.6	184.9	8.4
55.0	206.4	155.2	14.7	204.9	166.1	13.7	202.9	178.1	12.7	200.6	190.9	11.8	196.2	200.4	11.0	190.7	209.9	10.2	182.9	217.9	9.5	167.5	209.1	9.0	141.5	178.2	8.9

MODEL: YCIV0187S/P **S_IPLV = 13.1** **P_IPLV = 14.9**

AIR TEMPERATURE ON - CONDENSER (°F)																											
LCWT (°F)	75			80			85			90			95			100			105			110			115		
	TONS	KW	EER	TONS	KW	EER	TONS	KW	EER	TONS	KW	EER	TONS	KW	EER	TONS	KW	EER	TONS	KW	EER	TONS	KW	EER	TONS	KW	EER
40.0	180.3	156.2	12.6	178.8	168.2	11.7	177.1	181.1	10.8	175.3	194.7	10.0	173.4	208.9	9.3	171.1	224.9	8.6	166.1	236.3	7.9	159.4	245.3	7.3	152.8	253.9	6.8
42.0	185.9	157.4	12.9	184.4	169.4	12.0	182.6	182.3	11.1	180.7	195.8	10.3	178.7	210.1	9.5	176.4	226.2	8.8	170.5	236.8	8.1	163.7	245.8	7.5	156.9	254.5	7.0
44.0	191.7	158.8	13.2	190.0	170.7	12.3	188.2	183.5	11.4	186.3	197.1	10.5	184.2	211.3	9.8	181.7	227.5	9.0	175.1	237.3	8.3	168.0	246.3	7.7	160.9	255.1	7.1
45.0	194.6	159.6	13.4	192.9	171.4	12.4	191.1	184.2	11.5	189.1	197.7	10.7	186.9	212.0	9.9	184.3	228.0	9.1	177.4	237.5	8.4	170.2	246.5	7.8	163.0	255.4	7.2
46.0	197.5	160.4	13.5	195.8	172.1	12.5	193.9	184.9	11.6	191.9	198.4	10.8	189.7	212.7	10.0	186.9	228.3	9.2	179.7	237.7	8.5	172.5	246.7	7.9	165.1	255.6	7.3
48.0	203.5	162.1	13.8	201.7	173.7	12.8	199.8	186.3	11.9	197.6	199.8	11.0	195.3	214.1	10.2	191.9	228.9	9.4	184.5	238.1	8.7	177.0	247.1	8.1	169.5	256.1	7.5
50.0	209.5	163.8	14.1	207.7	175.3	13.1	205.7	187.8	12.2	203.5	201.3	11.3	201.1	215.5	10.5	196.8	229.3	9.7	189.3	238.4	9.0	181.6	247.5	8.3	171.2	249.6	7.8
52.0	215.7	165.8	14.3	213.8	177.1	13.3	211.7	189.5	12.4	209.4	202.8	11.5	206.9	217.0	10.7	201.9	229.8	9.9	194.1	238.9	9.2	186.3	247.9	8.5	172.9	242.8	8.0
55.0	225.2	169.0	14.7	223.2	180.0	13.7	221.0	192.2	12.8	218.6	205.4	11.9	215.9	219.6	11.0	209.6	230.6	10.2	201.5	239.5	9.5	193.4	248.5	8.8	175.7	233.3	8.5

NOTES:

1. kW_i = Compressor Input Power
2. EER = Chiller EER (includes power from compressors, fans, and control panels 0.8 kW_i)
3. LCWT = Leaving Chilled Water Temperature
4. Ratings based on 2.4 GPM cooler water per ton
5. Rated IAW AHRI Standard 550/590
6. Certified IAW the AHRI Water-Chilling Packages Using the Vapor Compression Cycle Certification Program, which is based on AHRI Standard 550/590.

MODEL: YCIV0207S/P **S_IPLV = 13.2** **P_IPLV = 14.7**

AIR TEMPERATURE ON - CONDENSER (°F)																											
LCWT (°F)	75			80			85			90			95			100			105			110			115		
	TONS	KW	EER	TONS	KW	EER	TONS	KW	EER	TONS	KW	EER	TONS	KW	EER	TONS	KW	EER	TONS	KW	EER	TONS	KW	EER	TONS	KW	EER
40.0	194.8	168.3	12.7	192.9	182.2	11.7	190.9	197.4	10.8	188.7	213.5	9.9	186.4	230.3	9.1	181.9	244.1	8.4	176.0	254.8	7.8	168.7	261.6	7.3	149.2	238.0	7.1
42.0	200.9	169.6	13.1	199.0	183.3	12.0	196.8	198.2	11.1	194.6	214.3	10.2	192.1	231.2	9.4	187.1	244.4	8.7	180.7	254.7	8.0	173.2	261.8	7.5	151.0	232.8	7.3
44.0	207.2	171.2	13.3	205.2	184.5	12.3	202.9	199.3	11.4	200.5	215.2	10.4	197.6	231.3	9.6	192.4	244.6	8.9	185.4	254.4	8.3	177.7	261.8	7.7	152.8	227.3	7.6
45.0	210.4	172.0	13.5	208.3	185.2	12.5	206.0	199.8	11.5	203.6	215.7	10.6	200.4	231.4	9.8	195.0	244.7	9.0	187.9	254.3	8.4	180.0	261.8	7.8	153.7	224.5	7.7
46.0	213.6	173.0	13.6	211.5	185.9	12.6	209.1	200.4	11.6	206.6	216.3	10.7	203.2	231.5	9.9	197.8	244.8	9.1	190.3	254.1	8.5	182.0	260.9	7.9	154.6	221.8	7.8
48.0	220.2	175.1	13.9	218.0	187.6	12.9	215.5	201.8	11.9	212.9	217.5	11.0	208.9	231.7	10.2	203.3	245.0	9.4	195.3	253.7	8.7	184.0	254.4	8.2	156.2	216.6	8.1
50.0	226.9	177.4	14.1	224.5	189.6	13.2	222.0	203.5	12.2	219.2	218.9	11.2	214.8	232.1	10.4	208.8	245.0	9.6	200.4	253.2	9.0	186.1	247.7	8.5	157.8	211.5	8.4
52.0	233.7	180.1	14.4	231.3	191.8	13.4	228.6	205.3	12.4	225.7	220.5	11.5	220.7	232.5	10.7	214.2	244.6	9.9	205.5	252.8	9.2	188.1	241.3	8.8	159.3	206.5	8.6
55.0	244.3	184.7	14.7	241.7	195.6	13.8	238.8	208.5	12.8	235.4	222.5	11.9	229.8	233.6	11.1	222.4	244.2	10.3	213.4	252.2	9.6	191.0	232.5	9.3	161.6	199.2	9.0

MODEL: YCIV0227S/P **S_IPLV = 12.9** **P_IPLV = 14.7**

AIR TEMPERATURE ON - CONDENSER (°F)																											
LCWT (°F)	75			80			85			90			95			100			105			110			115		
	TONS	KW	EER	TONS	KW	EER	TONS	KW	EER	TONS	KW	EER	TONS	KW	EER	TONS	KW	EER	TONS	KW	EER	TONS	KW	EER	TONS	KW	EER
40.0	211.3	180.4	12.9	209.4	194.3	11.9	207.3	209.2	11.0	205.1	224.8	10.2	202.7	241.3	9.4	199.9	259.8	8.7	193.1	269.8	8.1	185.3	277.1	7.6	177.5	283.8	7.1
42.0	218.0	182.0	13.2	216.0	195.7	12.2	213.8	210.5	11.3	211.4	226.2	10.4	208.9	242.7	9.7	206.0	261.3	8.9	198.2	270.0	8.3	190.2	277.4	7.8	182.1	284.2	7.3
44.0	224.9	183.7	13.5	222.7	197.3	12.5	220.4	212.0	11.6	218.0	227.7	10.7	215.3	244.2	9.9	211.9	262.1	9.1	203.5	270.1	8.5	195.2	277.6	8.0	186.9	284.5	7.4
45.0	228.3	184.7	13.6	226.2	198.2	12.6	223.8	212.8	11.7	221.3	228.5	10.8	218.5	245.1	10.0	214.7	262.2	9.2	206.2	270.2	8.6	197.7	277.7	8.1	189.3	284.6	7.5
46.0	231.8	185.7	13.7	229.6	199.1	12.8	227.2	213.7	11.8	224.6	229.3	11.0	221.8	245.9	10.1	217.5	262.2	9.4	208.9	270.2	8.7	200.3	277.7	8.2	191.8	284.7	7.6
48.0	238.9	187.8	14.0	236.7	201.1	13.0	234.2	215.4	12.1	231.4	231.0	11.2	228.5	247.5	10.4	223.2	262.4	9.6	214.4	270.3	9.0	205.6	277.8	8.4	195.3	281.4	7.9
50.0	246.2	190.1	14.3	243.8	203.1	13.3	241.2	217.4	12.4	238.4	232.8	11.5	235.3	249.2	10.6	229.0	262.5	9.8	219.9	270.4	9.2	210.9	277.8	8.6	197.2	274.6	8.1
52.0	253.6	192.7	14.5	251.2	205.4	13.6	248.5	219.5	12.6	245.5	234.9	11.7	242.3	251.2	10.8	234.9	262.7	10.1	225.6	270.4	9.4	216.3	277.8	8.8	199.3	267.5	8.4
55.0	264.9	196.7	14.9	262.4	209.2	13.9	259.5	223.0	13.0	256.4	238.2	12.1	253.1	254.3	11.2	243.9	263.0	10.5	234.3	270.6	9.8	224.6	277.9	9.1	202.2	256.3	8.9

MODEL: YCIV0247S/P **S_IPLV = 12.7** **P_IPLV = 14.8**

AIR TEMPERATURE ON - CONDENSER (°F)																											
LCWT (°F)	75			80			85			90			95			100			105			110			115		
	TONS	KW	EER	TONS	KW	EER	TONS	KW	EER	TONS	KW	EER	TONS	KW	EER	TONS	KW	EER	TONS	KW	EER	TONS	KW	EER	TONS	KW	EER
40.0	231.8	198.8	12.8	229.8	213.8	11.9	227.6	229.8	11.0	225.2	246.7	10.2	222.7	264.4	9.4	219.7	284.3	8.7	213.4	297.6	8.1	206.3	308.8	7.6	199.1	319.5	7.1
42.0	239.1	200.6	13.1	236.9	215.6	12.1	234.6	231.5	11.3	232.1	248.4	10.4	229.5	266.1	9.7	226.4	286.1	8.9	219.3	298.4	8.3	211.9	309.5	7.8	204.4	320.4	7.2
44.0	246.5	202.6	13.4	244.3	217.4	12.4	241.9	233.3	11.5	239.2	250.2	10.7	236.4	268.0	9.9	232.9	287.5	9.1	225.3	299.1	8.5	217.6	310.3	7.9	208.9	318.7	7.4
45.0	250.2	203.7	13.5	248.0	218.4	12.6	245.5	234.3	11.7	242.8	251.2	10.8	239.9	268.9	10.0	236.1	287.8	9.2	228.3	299.4	8.6	220.5	310.7	8.0	210.1	315.4	7.6
46.0	254.0	204.8	13.7	251.7	219.4	12.7	249.2	235.2	11.8	246.5	252.1	10.9	243.5	269.9	10.1	239.2	288.2	9.4	231.4	299.7	8.7	223.4	311.1	8.1	211.3	311.8	7.7
48.0	261.7	207.1	13.9	259.4	221.6	13.0	256.7	237.3	12.0	253.9	254.1	11.2	250.8	271.9	10.4	245.7	288.9	9.6	237.6	300.4	8.9	229.4	311.7	8.3	213.6	304.4	7.9
50.0	269.6	209.5	14.2	267.1	223.9	13.2	264.4	239.5	12.3	261.4	256.2	11.4	258.2	274.0	10.6	252.2	289.6	9.8	243.9	301.1	9.2	235.5	312.4	8.5	215.8	296.4	8.2
52.0	277.6	212.2	14.4	275.1	226.4	13.5	272.2	241.9	12.5	269.1	258.5	11.7	265.8	276.2	10.8	258.9	290.4	10.1	250.3	301.8	9.4	241.7	313.0	8.8	217.8	288.1	8.5
55.0	289.9	215.9	14.8	287.2	230.3	13.9	284.2	245.7	12.9	281.0	262.2	12.0	277.4	279.7	11.2	269.0	291.7	10.4	260.2	302.9	9.7	251.2	314.1	9.1	220.5	275.9	9.0

NOTES:

1. kW_i = Compressor Input Power
2. EER = Chiller EER (includes power from compressors, fans, and control panels 0.8 Kw_i)
3. LCWT = Leaving Chilled Water Temperature
4. Ratings based on 2.4 GPM cooler water per ton
5. Rated IAW AHRI Standard 550/590
6. Certified IAW the AHRI Water-Chilling Packages Using the Vapor Compression Cycle Certification Program, which is based on AHRI Standard 550/590.

Standard Efficiency Ratings - English - 460V/60Hz**MODEL: YCIV0267S/P** **S IPLV = 12.3 P IPLV = 14.9**

AIR TEMPERATURE ON - CONDENSER (°F)

LCWT (°F)	75			80			85			90			95			100			105			110			115		
	TONS	KW	EER	TONS	KW	EER	TONS	KW	EER	TONS	KW	EER	TONS	KW	EER	TONS	KW	EER	TONS	KW	EER	TONS	KW	EER	TONS	KW	EER
40.0	252.3	217.0	12.8	250.2	233.1	11.9	247.9	250.3	11.0	245.4	268.3	10.2	242.7	287.2	9.5	239.6	308.5	8.7	233.9	325.1	8.1	227.3	340.0	7.6	220.8	354.7	7.1
42.0	260.2	219.0	13.1	258.0	235.2	12.1	255.6	252.2	11.3	252.9	270.4	10.4	250.1	289.2	9.7	246.8	310.7	9.0	240.4	326.4	8.3	233.6	341.3	7.8	226.8	356.2	7.2
44.0	268.2	221.2	13.3	265.9	237.3	12.4	263.3	254.3	11.5	260.6	272.4	10.7	257.6	291.5	9.9	254.0	312.6	9.2	247.1	327.6	8.5	240.1	342.6	7.9	231.8	354.5	7.4
45.0	272.2	222.5	13.5	269.9	238.4	12.5	267.3	255.5	11.6	264.5	273.6	10.8	261.4	292.5	10.0	257.5	313.2	9.3	250.5	328.3	8.6	243.4	343.2	8.0	233.0	350.2	7.5
46.0	276.3	223.6	13.6	273.9	239.5	12.7	271.3	256.6	11.8	268.4	274.7	10.9	265.3	293.6	10.1	261.0	313.9	9.4	253.9	328.9	8.7	246.7	344.0	8.1	234.2	345.8	7.7
48.0	284.6	226.1	13.9	282.1	242.0	12.9	279.4	258.9	12.0	276.4	276.9	11.2	273.1	296.0	10.4	268.2	315.2	9.6	260.9	330.1	8.9	253.4	345.2	8.3	236.7	336.8	8.0
50.0	293.1	228.7	14.1	290.5	244.5	13.2	287.7	261.3	12.3	284.6	279.3	11.4	281.1	298.4	10.6	275.5	316.5	9.8	267.9	331.5	9.1	260.2	346.5	8.5	239.1	327.9	8.2
52.0	301.7	231.6	14.4	299.1	247.1	13.4	296.1	264.0	12.5	292.9	281.8	11.6	289.3	300.9	10.8	282.9	317.8	10.0	275.1	332.8	9.4	267.2	347.8	8.7	241.5	319.2	8.5
55.0	315.0	234.9	14.8	312.1	251.1	13.8	309.0	268.1	12.9	305.6	286.0	12.0	301.9	304.8	11.1	294.2	320.1	10.4	286.1	334.8	9.7	277.9	349.8	9.0	244.8	307.1	9.0

MODEL: YCIV0287S/P **S IPLV = 13.0 P IPLV = 14.7**

AIR TEMPERATURE ON - CONDENSER (°F)

LCWT (°F)	75			80			85			90			95			100			105			110			115		
	TONS	KW	EER	TONS	KW	EER	TONS	KW	EER	TONS	KW	EER	TONS	KW	EER	TONS	KW	EER	TONS	KW	EER	TONS	KW	EER	TONS	KW	EER
40.0	268.2	228.0	12.9	265.7	246.5	11.9	262.9	266.4	10.9	259.9	287.2	10.1	256.7	308.8	9.3	251.3	328.6	8.6	244.3	345.3	8.0	234.1	356.5	7.4	209.5	332.8	7.1
42.0	276.6	229.7	13.2	274.1	248.0	12.2	271.2	267.7	11.2	268.0	288.6	10.4	264.6	310.3	9.6	258.7	329.7	8.8	250.9	345.8	8.2	240.4	357.3	7.6	211.9	325.4	7.3
44.0	285.2	231.6	13.5	282.6	249.6	12.5	279.6	269.2	11.5	276.3	290.0	10.6	272.7	311.7	9.8	266.3	330.6	9.1	257.7	346.2	8.4	246.8	357.8	7.8	214.8	318.9	7.6
45.0	289.6	232.6	13.7	286.9	250.5	12.6	283.9	270.0	11.7	280.6	290.8	10.8	276.7	312.1	9.9	270.2	331.0	9.2	261.2	346.3	8.5	250.0	358.2	7.9	216.1	315.4	7.7
46.0	294.0	233.7	13.8	291.3	251.4	12.8	288.3	270.8	11.8	284.9	291.6	10.9	280.7	312.5	10.1	274.1	331.5	9.3	264.7	346.4	8.6	253.4	358.4	8.0	217.5	311.9	7.8
48.0	303.0	236.1	14.1	300.2	253.5	13.1	297.1	272.7	12.1	293.5	293.3	11.2	288.9	313.4	10.3	282.0	332.3	9.6	271.7	346.6	8.9	258.9	355.8	8.2	220.1	304.8	8.1
50.0	312.1	238.8	14.4	309.3	255.8	13.4	306.0	274.7	12.4	302.4	295.2	11.4	297.2	314.4	10.6	290.1	333.3	9.8	278.9	346.7	9.1	261.9	347.2	8.5	222.4	297.7	8.4
52.0	321.4	241.7	14.6	318.5	258.5	13.6	315.2	277.1	12.7	311.4	297.4	11.7	305.7	315.5	10.9	298.2	334.0	10.1	286.2	346.8	9.3	264.9	338.8	8.8	224.6	290.7	8.6
55.0	335.7	246.8	15.0	332.7	262.8	14.0	329.2	280.9	13.0	325.3	300.9	12.1	318.6	317.4	11.3	310.1	334.5	10.4	297.4	346.9	9.7	269.4	327.1	9.3	227.7	280.5	9.0

MODEL: YCIV0307S/P **S IPLV = 12.6 P IPLV = 14.6**

AIR TEMPERATURE ON - CONDENSER (°F)

LCWT (°F)	75			80			85			90			95			100			105			110			115		
	TONS	KW	EER	TONS	KW	EER	TONS	KW	EER	TONS	KW	EER	TONS	KW	EER	TONS	KW	EER	TONS	KW	EER	TONS	KW	EER	TONS	KW	EER
40.0	298.0	251.5	13.0	295.2	272.2	12.0	292.2	294.8	11.0	289.0	318.9	10.1	285.6	344.0	9.3	279.8	366.7	8.6	271.4	384.3	8.0	260.3	394.8	7.5	229.5	358.3	7.2
42.0	307.4	253.3	13.3	304.5	273.7	12.3	301.3	296.0	11.3	297.9	320.0	10.4	294.3	345.1	9.6	287.9	367.5	8.8	278.6	384.1	8.2	267.2	395.1	7.7	232.1	349.9	7.5
44.0	317.0	255.6	13.6	314.0	275.5	12.6	310.6	297.5	11.6	307.1	321.3	10.7	302.9	345.6	9.8	296.2	368.1	9.1	286.0	383.8	8.4	274.2	395.1	7.9	235.1	342.1	7.7
45.0	321.9	256.9	13.8	318.8	276.5	12.8	315.4	298.3	11.8	311.7	322.0	10.8	307.3	345.8	10.0	300.4	368.5	9.2	289.7	383.6	8.5	277.7	395.0	8.0	236.5	338.1	7.8
46.0	326.9	258.2	13.9	323.7	277.6	12.9	320.2	299.2	11.9	316.4	322.7	11.0	311.7	346.1	10.1	304.7	368.8	9.3	293.5	383.3	8.7	280.1	392.1	8.1	237.9	334.0	8.0
48.0	336.9	261.3	14.2	333.6	280.0	13.2	329.9	301.2	12.2	326.0	324.5	11.2	320.6	346.9	10.4	313.4	369.4	9.6	301.2	382.7	8.9	283.2	382.4	8.4	240.7	326.4	8.3
50.0	347.2	264.7	14.5	343.7	282.9	13.5	339.9	303.5	12.5	335.8	326.6	11.5	329.8	347.7	10.7	322.0	369.6	9.8	309.0	382.1	9.1	286.4	372.5	8.7	243.0	318.5	8.5
52.0	357.7	268.6	14.7	354.1	286.1	13.7	350.1	306.2	12.7	345.8	328.8	11.8	339.1	348.7	10.9	330.3	369.0	10.1	317.0	381.4	9.4	289.6	362.8	9.0	245.3	311.0	8.8
55.0	373.9	275.3	15.0	370.0	291.6	14.1	365.8	310.9	13.1	360.8	332.0	12.2	353.5	350.8	11.3	343.0	368.4	10.5	329.2	380.5	9.8	294.2	349.6	9.5	248.8	300.0	9.2

NOTES:

1. kW = Compressor Input Power
2. EER = Chiller EER (includes power from compressors, fans, and control panels 0.8 KW/IT)
3. LCWT = Leaving Chilled Water Temperature
4. Ratings based on 2.4 GPM cooler water per ton
5. Rated IAW AHRI Standard 550/590

MODEL: YCIV0357S/P **S_IPLV = 13.5** **P_IPLV = 15.1**

AIR TEMPERATURE ON - CONDENSER (°F)																											
LCWT (°F)	75			80			85			90			95			100			105			110			115		
	TONS	KW	EER	TONS	KW	EER	TONS	KW	EER	TONS	KW	EER	TONS	KW	EER	TONS	KW	EER	TONS	KW	EER	TONS	KW	EER	TONS	KW	EER
40.0	336.3	288.0	12.8	333.4	309.9	11.9	330.1	333.5	11.0	326.6	358.2	10.2	322.9	384.1	9.4	318.6	413.2	8.7	309.3	432.1	8.1	298.3	446.9	7.6	287.4	460.8	7.1
42.0	346.9	290.6	13.1	343.8	312.4	12.2	340.4	335.8	11.3	336.7	360.5	10.4	332.8	386.5	9.7	328.3	415.8	8.9	317.7	433.0	8.3	306.3	447.8	7.7	295.0	462.0	7.2
44.0	357.7	293.3	13.4	354.5	315.0	12.4	350.9	338.3	11.5	347.1	363.1	10.7	342.9	389.0	9.9	338.1	418.1	9.1	326.3	433.8	8.5	314.6	448.7	7.9	302.8	463.1	7.4
45.0	363.2	294.8	13.6	359.9	316.4	12.6	356.3	339.6	11.7	352.3	364.3	10.8	348.1	390.4	10.0	342.7	418.5	9.2	330.7	434.1	8.6	318.7	449.1	8.0	304.8	459.0	7.5
46.0	368.8	296.5	13.7	365.4	317.8	12.7	361.7	341.0	11.8	357.6	365.7	10.9	353.3	391.7	10.1	347.2	418.9	9.3	335.1	434.5	8.7	322.9	449.5	8.1	306.7	454.4	7.6
48.0	380.1	299.7	14.0	376.6	320.9	13.0	372.7	343.8	12.1	368.5	368.5	11.2	363.9	394.5	10.4	356.5	419.7	9.6	344.0	435.2	8.9	331.5	450.3	8.3	310.2	444.4	7.9
50.0	391.6	303.2	14.2	387.9	324.2	13.3	383.9	347.0	12.3	379.5	371.4	11.4	374.8	397.4	10.6	366.0	420.5	9.8	353.1	435.9	9.2	340.2	450.9	8.5	313.5	433.3	8.2
52.0	403.4	307.0	14.5	399.6	327.7	13.5	395.4	350.3	12.6	390.8	374.5	11.7	385.9	400.4	10.8	375.7	421.3	10.1	362.4	436.7	9.4	349.2	451.6	8.8	316.5	421.3	8.5
55.0	421.3	312.6	14.9	417.2	333.5	13.9	412.9	355.6	13.0	408.1	379.9	12.0	402.9	405.5	11.2	390.4	422.8	10.4	376.6	437.8	9.7	362.8	452.6	9.1	320.4	402.9	8.9

MODEL: YCIV0397S/P **S_IPLV = 13.2** **P_IPLV = 15.2**

AIR TEMPERATURE ON - CONDENSER (°F)																											
LCWT (°F)	75			80			85			90			95			100			105			110			115		
	TONS	KW	EER	TONS	KW	EER	TONS	KW	EER	TONS	KW	EER	TONS	KW	EER	TONS	KW	EER	TONS	KW	EER	TONS	KW	EER	TONS	KW	EER
40.0	377.3	324.5	12.8	374.2	348.7	11.9	370.7	374.4	11.0	366.9	401.4	10.2	362.9	429.8	9.5	358.2	461.7	8.7	350.0	486.9	8.1	340.3	509.2	7.6	330.6	531.2	7.1
42.0	389.1	327.5	13.1	385.8	351.6	12.1	382.2	377.3	11.3	378.2	404.5	10.4	374.0	432.8	9.7	369.0	464.8	8.9	359.8	488.8	8.3	349.7	511.2	7.8	339.5	533.5	7.2
44.0	401.2	330.7	13.3	397.8	354.8	12.4	394.0	380.3	11.5	389.8	407.5	10.7	385.3	436.0	9.9	380.1	468.1	9.2	369.8	490.8	8.5	359.3	513.2	7.9	348.7	535.6	7.4
45.0	407.4	332.4	13.5	403.8	356.4	12.5	399.9	382.1	11.6	395.7	409.1	10.8	391.0	437.7	10.0	385.4	469.1	9.3	374.9	491.7	8.6	364.2	514.2	8.0	350.8	530.1	7.5
46.0	413.5	334.3	13.6	410.0	358.1	12.7	406.0	383.7	11.8	401.6	410.9	10.9	396.9	439.3	10.1	390.7	470.2	9.4	380.0	492.6	8.7	369.2	515.1	8.1	352.7	523.5	7.6
48.0	426.1	337.9	13.9	422.4	361.6	12.9	418.2	387.1	12.0	413.7	414.2	11.2	408.7	442.9	10.4	401.5	472.0	9.6	390.5	494.5	8.9	379.2	517.2	8.3	356.3	510.3	7.9
50.0	439.0	341.8	14.2	435.1	365.5	13.2	430.8	390.7	12.3	426.0	417.8	11.4	420.9	446.4	10.6	412.6	474.0	9.8	401.1	496.5	9.1	389.5	519.0	8.5	360.0	496.9	8.2
52.0	452.0	346.1	14.4	448.0	369.4	13.5	443.5	394.7	12.5	438.6	421.5	11.7	433.2	450.1	10.8	423.8	476.0	10.0	411.9	498.5	9.3	400.0	521.0	8.7	363.7	483.8	8.5
55.0	471.7	350.8	14.9	467.3	375.7	13.8	462.8	400.7	12.9	457.8	427.6	12.0	452.3	455.9	11.2	441.0	479.4	10.4	428.7	501.5	9.7	416.1	524.0	9.0	368.8	465.1	8.9

NOTES:

1. kW = Compressor Input Power
2. EER = Chiller EER (includes power from compressors, fans, and control panels 0.8 Kw)
3. LCWT = Leaving Chilled Water Temperature
4. Ratings based on 2.4 GPM cooler water per ton
5. Rated IAW AHRI Standard 550/590

High Efficiency Ratings - English - 460V/60Hz

FORM 201.23-EG1 (1013)

MODEL: YCIV0157E/V **E_IPLV = 13.5** **V_IPLV = 14.6**

AIR TEMPERATURE ON - CONDENSER (°F)

LCWT (°F)	75			80			85			90			95			100			105			110			115		
	TONS	KW	EER	TONS	KW	EER	TONS	KW	EER	TONS	KW	EER	TONS	KW	EER	TONS	KW	EER	TONS	KW	EER	TONS	KW	EER	TONS	KW	EER
40.0	148.1	121.7	13.1	146.8	130.5	12.2	145.2	139.6	11.4	143.4	149.1	10.6	141.4	158.9	9.8	139.1	170.1	9.1	136.1	181.5	8.4	130.1	190.6	7.7	124.0	200.1	7.0
42.0	152.7	122.8	13.4	151.5	131.6	12.5	149.9	140.8	11.7	148.1	150.3	10.9	146.1	160.2	10.1	143.7	171.4	9.3	140.1	182.5	8.6	133.9	191.5	7.8	127.6	200.9	7.1
44.0	157.4	123.9	13.8	156.2	132.8	12.8	154.7	142.0	11.9	152.8	151.6	11.1	150.8	161.6	10.3	148.3	172.8	9.6	144.2	183.5	8.8	137.7	192.5	8.0	131.3	201.8	7.3
45.0	159.8	124.4	13.9	158.6	133.4	13.0	157.1	142.6	12.1	155.2	152.2	11.2	153.2	162.2	10.5	150.7	173.5	9.7	146.3	184.0	8.9	139.7	193.0	8.1	133.2	202.2	7.4
46.0	162.2	125.1	14.1	161.0	134.0	13.1	159.5	143.2	12.2	157.7	152.9	11.4	155.6	162.9	10.6	153.0	174.2	9.8	148.3	184.5	9.0	141.7	193.5	8.2	135.1	202.6	7.5
48.0	167.0	126.2	14.4	165.9	135.2	13.4	164.4	144.6	12.5	162.6	154.2	11.6	160.4	164.3	10.8	157.9	175.6	10.0	152.5	185.5	9.2	145.7	194.5	8.4	138.9	203.6	7.7
50.0	171.9	127.3	14.7	170.8	136.4	13.7	169.3	145.9	12.8	167.5	155.7	11.9	165.4	165.8	11.1	162.7	177.2	10.2	156.7	186.5	9.4	149.8	195.5	8.6	142.7	204.7	7.9
52.0	176.8	128.5	15.0	175.8	137.7	14.0	174.4	147.2	13.0	172.6	157.1	12.1	170.4	167.2	11.3	167.7	178.7	10.5	161.0	187.6	9.6	153.9	196.5	8.8	146.7	205.7	8.0
55.0	184.4	130.2	15.4	183.5	139.6	14.4	182.1	149.2	13.4	180.3	159.2	12.5	178.1	169.5	11.7	174.8	180.6	10.8	167.5	189.3	9.9	160.2	198.1	9.1	152.8	207.2	8.3

MODEL: YCIV0177E/V **E_IPLV = 13.5** **V_IPLV = 14.7**

AIR TEMPERATURE ON - CONDENSER (°F)

LCWT (°F)	75			80			85			90			95			100			105			110			115		
	TONS	KW	EER	TONS	KW	EER	TONS	KW	EER	TONS	KW	EER	TONS	KW	EER	TONS	KW	EER	TONS	KW	EER	TONS	KW	EER	TONS	KW	EER
40.0	157.1	131.4	13.0	156.3	137.3	12.3	155.0	147.6	11.4	153.5	158.6	10.6	151.9	170.1	9.8	150.0	183.2	9.1	147.0	195.7	8.4	142.2	207.3	7.7	136.2	217.9	7.0
42.0	162.5	128.7	13.6	161.3	138.3	12.6	159.9	148.5	11.7	158.3	159.4	10.9	156.6	171.0	10.1	154.7	184.1	9.3	151.2	196.5	8.6	146.1	207.9	7.9	139.9	218.6	7.2
44.0	167.6	129.9	13.9	166.3	139.3	12.9	164.8	149.5	12.0	163.2	160.4	11.2	161.5	171.9	10.4	159.4	185.0	9.6	155.6	197.2	8.8	150.1	208.5	8.1	143.6	219.3	7.4
45.0	170.2	130.5	14.0	168.9	139.9	13.1	167.4	150.1	12.2	165.7	160.9	11.3	163.9	172.4	10.5	161.8	185.5	9.7	157.8	197.6	8.9	152.1	208.8	8.2	145.5	219.6	7.4
46.0	172.8	131.2	14.2	171.4	140.5	13.2	169.9	150.6	12.3	168.2	161.4	11.4	166.4	172.9	10.6	164.3	186.0	9.8	160.0	198.0	9.0	154.1	209.1	8.3	147.5	219.9	7.5
48.0	178.0	132.6	14.5	176.7	141.8	13.5	175.1	151.8	12.6	173.4	162.5	11.7	171.5	174.0	10.9	169.1	186.9	10.0	164.6	198.7	9.2	158.3	209.7	8.4	151.4	220.5	7.7
50.0	183.4	134.1	14.8	182.0	143.1	13.8	180.4	153.0	12.9	178.6	163.7	12.0	176.6	175.1	11.1	173.9	187.8	10.3	169.2	199.6	9.5	162.5	210.3	8.7	154.4	218.2	7.9
52.0	188.9	135.7	15.0	187.5	144.6	14.1	185.8	154.4	13.2	183.9	165.0	12.3	181.9	176.3	11.4	178.7	188.7	10.5	173.9	200.5	9.7	166.8	210.9	8.9	156.2	212.7	8.2
55.0	197.4	138.4	15.4	195.8	147.0	14.5	194.1	156.6	13.6	192.2	167.0	12.7	190.0	178.3	11.8	186.2	190.2	10.9	180.8	201.5	10.0	173.3	211.9	9.2	158.8	204.8	8.7

MODEL: YCIV0187E/V **E_IPLV = 13.2** **V_IPLV = 15.1**

AIR TEMPERATURE ON - CONDENSER (°F)

LCWT (°F)	75			80			85			90			95			100			105			110			115		
	TONS	KW	EER	TONS	KW	EER	TONS	KW	EER	TONS	KW	EER	TONS	KW	EER	TONS	KW	EER	TONS	KW	EER	TONS	KW	EER	TONS	KW	EER
40.0	174.7	145.0	13.1	173.7	152.7	12.3	172.2	164.6	11.4	170.5	177.2	10.5	168.7	190.5	9.8	166.5	205.3	9.0	163.0	217.8	8.3	158.0	227.5	7.8	151.4	235.7	7.2
42.0	180.2	146.1	13.4	179.2	153.6	12.6	177.7	165.4	11.7	175.9	178.0	10.8	174.0	191.3	10.0	171.7	206.3	9.2	167.8	218.3	8.6	162.4	227.9	8.0	155.6	236.2	7.4
44.0	185.8	147.5	13.7	184.8	154.7	12.9	183.2	166.4	12.0	181.4	178.9	11.1	179.4	192.1	10.3	177.0	207.2	9.5	172.7	218.7	8.8	166.9	228.3	8.2	159.9	236.6	7.6
45.0	189.0	148.5	14.1	187.6	155.3	13.1	186.0	166.9	12.2	184.2	179.4	11.3	182.1	192.6	10.4	179.7	207.7	9.6	175.2	218.8	8.9	169.2	228.4	8.3	162.1	236.8	7.7
46.0	191.8	149.2	14.2	190.4	155.8	13.2	188.8	167.4	12.3	187.0	179.9	11.4	184.9	193.1	10.6	182.5	208.1	9.7	177.7	219.0	9.0	171.5	228.5	8.4	164.3	237.0	7.8
48.0	197.5	146.7	14.5	196.2	157.1	13.5	194.5	168.6	12.6	192.6	180.9	11.7	190.5	194.1	10.8	188.0	209.1	10.0	182.8	219.4	9.3	176.2	228.7	8.6	168.7	237.3	8.0
50.0	203.4	148.3	14.8	202.0	158.6	13.8	200.3	169.8	12.9	198.4	182.1	12.0	196.2	195.2	11.1	193.3	209.5	10.2	188.0	219.7	9.5	181.0	228.9	8.8	173.3	237.5	8.2
52.0	209.3	150.0	15.1	207.9	160.1	14.1	206.2	171.3	13.2	204.2	183.4	12.2	202.0	196.4	11.4	198.6	210.0	10.5	193.2	220.1	9.8	185.8	229.1	9.1	177.4	236.6	8.4
55.0	218.4	153.0	15.4	217.0	162.7	14.5	215.3	173.6	13.6	213.2	185.5	12.6	210.9	198.4	11.8	206.8	210.7	10.9	201.2	220.7	10.2	193.2	229.4	9.4	180.3	227.5	8.9

NOTES:

1. KW = Compressor Input Power
2. EER = Chiller EER (includes power from compressors, fans, and control panels 0.8 KW)
3. LCWT = Leaving Chilled Water Temperature
4. Ratings based on 2.4 GPM cooler water per ton
5. Rated IAW AHRI Standard 550/590
6. Certified IAW the AHRI Water-Chilling Packages Using the Vapor Compression Cycle Certification Program, which is based on AHRI Standard 550/590.

MODEL: YCIV0197E/V **E_IPLV = 12.9** **V_IPLV = 15.0**

AIR TEMPERATURE ON - CONDENSER (°F)																											
LCWT (°F)	75			80			85			90			95			100			105			110			115		
	TONS	KW	EER	TONS	KW	EER	TONS	KW	EER	TONS	KW	EER	TONS	KW	EER	TONS	KW	EER	TONS	KW	EER	TONS	KW	EER	TONS	KW	EER
40.0	189.8	153.1	13.4	188.2	165.6	12.4	186.4	179.5	11.4	184.5	194.4	10.5	182.5	210.2	9.6	180.1	227.8	8.8	176.4	243.2	8.1	169.4	250.7	7.6	162.4	257.3	7.1
42.0	195.8	154.3	13.7	194.1	166.4	12.7	192.2	180.0	11.7	190.3	194.8	10.8	188.1	210.6	9.9	185.6	228.4	9.1	181.3	242.8	8.4	174.0	250.6	7.8	166.7	257.5	7.3
44.0	201.9	155.8	14.0	200.1	167.5	13.0	198.2	180.8	12.0	196.1	195.4	11.1	193.9	211.0	10.2	191.3	228.9	9.3	186.2	242.3	8.6	178.7	250.3	8.0	171.2	257.5	7.5
45.0	205.0	156.6	14.2	203.2	168.2	13.2	201.3	181.3	12.2	199.1	195.7	11.2	196.8	211.2	10.4	194.2	229.1	9.5	188.7	242.1	8.7	181.1	250.1	8.1	173.5	257.4	7.6
46.0	208.1	157.6	14.3	206.3	168.8	13.3	204.3	181.8	12.3	202.2	196.0	11.4	199.8	211.5	10.5	197.1	229.4	9.6	191.2	241.8	8.9	183.6	249.9	8.3	175.8	257.3	7.7
48.0	214.5	159.6	14.6	212.6	170.4	13.6	210.6	182.9	12.7	208.3	196.9	11.7	205.8	212.2	10.8	203.0	230.0	9.9	196.4	241.2	9.1	188.5	249.4	8.5	180.5	256.9	7.9
50.0	221.0	162.1	14.8	219.1	172.3	13.9	216.9	184.3	12.9	214.5	198.1	12.0	212.0	213.1	11.1	209.0	230.9	10.1	201.6	240.6	9.4	193.5	248.8	8.7	185.3	256.5	8.1
52.0	227.7	164.8	15.0	225.7	174.5	14.2	223.4	186.1	13.2	221.0	199.4	12.3	218.3	214.2	11.3	215.2	231.7	10.4	206.9	240.1	9.7	198.5	248.2	9.0	190.2	255.9	8.4
55.0	237.9	169.6	15.3	235.8	178.3	14.5	233.4	189.1	13.6	230.8	201.8	12.7	228.0	216.1	11.7	223.7	231.3	10.8	214.9	239.4	10.1	206.3	247.4	9.4	197.7	255.0	8.7

MODEL: YCIV0207E/V **E_IPLV = 13.4** **V_IPLV = 15.0**

AIR TEMPERATURE ON - CONDENSER (°F)																											
LCWT (°F)	75			80			85			90			95			100			105			110			115		
	TONS	KW	EER	TONS	KW	EER	TONS	KW	EER	TONS	KW	EER	TONS	KW	EER	TONS	KW	EER	TONS	KW	EER	TONS	KW	EER	TONS	KW	EER
40.0	201.7	161.2	13.5	200.1	173.9	12.5	198.3	187.9	11.5	196.4	203.1	10.6	194.4	219.0	9.8	192.0	237.1	9.0	188.3	252.6	8.3	182.0	262.6	7.8	174.6	269.6	7.3
42.0	208.1	162.5	13.8	206.4	175.0	12.8	204.5	188.7	11.8	202.5	203.7	10.9	200.4	219.6	10.1	197.9	237.7	9.3	193.7	252.8	8.6	186.9	262.5	8.0	179.3	269.8	7.5
44.0	214.6	164.1	14.1	212.8	176.2	13.1	210.9	189.7	12.2	208.8	204.4	11.2	206.5	220.3	10.4	203.9	238.4	9.5	199.2	253.0	8.8	191.9	262.3	8.2	184.1	269.8	7.7
45.0	217.9	165.0	14.3	216.1	176.9	13.3	214.1	190.2	12.3	211.9	204.8	11.4	209.6	220.6	10.5	206.9	238.8	9.7	202.0	253.0	8.9	194.5	262.2	8.3	186.6	269.7	7.8
46.0	221.3	165.9	14.4	219.4	177.6	13.4	217.4	190.8	12.5	215.1	205.4	11.5	212.8	221.1	10.7	210.0	239.2	9.8	204.8	253.1	9.1	197.1	262.0	8.4	189.0	269.7	7.9
48.0	228.1	168.1	14.7	226.1	179.3	13.7	224.0	192.2	12.8	221.7	206.5	11.8	219.2	222.0	10.9	216.2	239.8	10.0	210.6	253.2	9.3	202.3	261.6	8.7	194.0	269.4	8.1
50.0	235.0	170.4	14.9	233.0	181.3	14.0	230.8	193.8	13.0	228.4	207.7	12.1	225.8	223.0	11.2	222.3	240.0	10.3	216.2	252.8	9.6	207.7	261.1	8.9	199.1	269.0	8.3
52.0	242.1	173.1	15.2	240.0	183.4	14.3	237.7	195.6	13.3	235.2	209.2	12.4	232.5	224.3	11.5	228.5	240.3	10.6	221.8	252.4	9.8	213.1	260.7	9.2	203.0	265.7	8.6
55.0	252.7	177.6	15.5	250.6	187.2	14.6	248.2	198.7	13.7	245.6	211.9	12.8	242.7	226.5	11.9	238.0	241.0	11.0	230.5	251.9	10.2	221.4	260.0	9.5	206.3	254.8	9.1

MODEL: YCIV0227E/V **E_IPLV = 13.1** **V_IPLV = 15.0**

AIR TEMPERATURE ON - CONDENSER (°F)																											
LCWT (°F)	75			80			85			90			95			100			105			110			115		
	TONS	KW	EER	TONS	KW	EER	TONS	KW	EER	TONS	KW	EER	TONS	KW	EER	TONS	KW	EER	TONS	KW	EER	TONS	KW	EER	TONS	KW	EER
40.0	209.5	167.1	13.4	207.9	179.8	12.5	206.1	193.4	11.6	204.2	208.1	10.7	202.1	223.5	10.0	199.8	241.0	9.2	197.2	259.1	8.5	190.9	269.7	7.9	183.3	277.2	7.4
42.0	216.1	168.5	13.7	214.5	181.0	12.8	212.6	194.6	11.9	210.6	209.1	11.0	208.4	224.5	10.2	205.9	242.0	9.4	203.2	260.3	8.7	196.1	269.8	8.1	188.3	277.4	7.6
44.0	222.9	170.1	14.1	221.2	182.3	13.1	219.2	195.8	12.2	217.1	210.2	11.3	214.9	225.6	10.5	212.2	243.1	9.7	209.4	261.4	8.9	201.5	269.9	8.3	193.4	277.4	7.8
45.0	226.4	171.0	14.2	224.6	183.1	13.3	222.6	196.4	12.3	220.4	210.8	11.5	218.1	226.1	10.6	215.4	243.7	9.8	212.4	261.7	9.0	204.2	269.8	8.4	196.0	277.5	7.9
46.0	229.8	171.9	14.4	228.0	183.9	13.4	226.0	197.1	12.5	223.8	211.4	11.6	221.4	226.8	10.8	218.6	244.2	9.9	215.2	261.7	9.2	206.9	269.8	8.6	198.6	277.5	8.0
48.0	236.9	173.9	14.7	235.0	185.6	13.7	232.9	198.7	12.8	230.6	212.8	11.9	228.1	228.0	11.0	225.2	245.5	10.2	221.0	261.7	9.4	212.5	269.8	8.8	203.9	277.4	8.2
50.0	244.0	176.0	14.9	242.1	187.5	14.0	239.9	200.3	13.1	237.6	214.2	12.2	235.0	229.3	11.3	232.0	246.8	10.4	226.9	261.7	9.7	218.1	269.7	9.0	209.3	277.4	8.4
52.0	251.1	178.3	15.2	249.2	189.5	14.3	247.0	202.1	13.3	244.6	215.9	12.4	242.0	230.8	11.6	238.9	248.2	10.7	232.9	261.7	9.9	223.9	269.6	9.3	214.8	277.2	8.7
55.0	262.1	182.1	15.6	260.1	192.9	14.6	257.8	205.1	13.7	255.3	218.6	12.8	252.5	233.3	12.0	249.2	250.5	11.0	242.1	261.8	10.3	232.7	269.6	9.6	223.2	277.1	9.0

NOTES:

1. kW = Compressor Input Power
2. EER = Chiller EER (includes power from compressors, fans, and control panels 0.8 Kw)
3. LCWT = Leaving Chilled Water Temperature
4. Ratings based on 2.4 GPM cooler water per ton
5. Rated IAW AHRI Standard 550/590
6. Certified IAW the AHRI Water-Chilling Packages Using the Vapor Compression Cycle Certification Program, which is based on AHRI Standard 550/590.

High Efficiency Ratings - English - 460V/60Hz

MODEL: YCIV0247E/V																												E_IPLV = 12.8				V_IPLV = 14.9			
AIR TEMPERATURE ON - CONDENSER (°F)																																			
LCWT (°F)	75			80			85			90			95			100			105			110			115										
	TONS	KW	EER	TONS	KW	EER	TONS	KW	EER	TONS	KW	EER	TONS	KW	EER	TONS	KW	EER	TONS	KW	EER	TONS	KW	EER	TONS	KW	EER								
40.0	232.7	192.6	13.1	230.8	206.9	12.2	228.7	222.3	11.3	226.4	238.6	10.5	223.9	255.8	9.7	221.1	275.2	9.0	216.9	292.5	8.3	210.2	305.1	7.8	202.9	316.2	7.2								
42.0	240.0	194.4	13.4	238.0	208.6	12.5	235.8	223.9	11.6	233.4	240.2	10.8	230.8	257.3	10.0	227.9	276.8	9.2	223.2	293.8	8.5	216.0	305.8	8.0	208.5	317.0	7.4								
44.0	247.4	196.3	13.7	245.4	210.4	12.8	243.1	225.6	11.9	240.6	241.8	11.0	237.9	259.0	10.2	234.7	278.3	9.4	229.7	294.9	8.7	221.9	306.4	8.2	213.0	315.2	7.6								
45.0	251.2	197.4	13.9	249.1	211.4	12.9	246.8	226.5	12.0	244.2	242.7	11.1	241.4	259.9	10.3	238.1	278.9	9.6	232.8	295.2	8.9	225.0	306.8	8.3	214.3	311.7	7.7								
46.0	255.1	198.5	14.0	252.9	212.3	13.1	250.5	227.4	12.1	247.9	243.6	11.3	245.1	260.7	10.5	241.5	279.6	9.7	236.0	295.5	9.0	228.0	307.1	8.4	215.6	308.1	7.9								
48.0	262.8	200.8	14.3	260.6	214.5	13.3	258.1	229.4	12.4	255.4	245.4	11.5	252.4	262.6	10.7	248.4	280.9	9.9	242.4	296.1	9.2	234.2	307.7	8.6	218.0	300.5	8.2								
50.0	270.8	203.3	14.5	268.5	216.8	13.6	265.9	231.5	12.7	263.1	247.5	11.8	260.0	264.5	11.0	255.5	282.2	10.1	248.9	296.8	9.4	240.5	308.3	8.8	220.2	292.4	8.5								
52.0	278.9	205.9	14.8	276.5	219.2	13.9	273.8	233.8	12.9	270.9	249.6	12.0	267.7	266.6	11.2	262.8	283.6	10.4	255.5	297.5	9.7	246.9	308.9	9.0	222.2	284.1	8.8								
55.0	291.2	209.7	15.2	288.7	223.1	14.2	285.9	237.5	13.3	282.8	253.1	12.4	279.5	269.8	11.6	273.9	286.0	10.7	265.7	298.6	10.0	256.7	309.9	9.3	225.0	272.3	9.2								
MODEL: YCIV0267E/V																												E_IPLV = 13.3				V_IPLV = 14.9			
AIR TEMPERATURE ON - CONDENSER (°F)																																			
LCWT (°F)	75			80			85			90			95			100			105			110			115										
	TONS	KW	EER	TONS	KW	EER	TONS	KW	EER	TONS	KW	EER	TONS	KW	EER	TONS	KW	EER	TONS	KW	EER	TONS	KW	EER	TONS	KW	EER								
40.0	264.2	211.7	13.5	261.9	228.6	12.5	259.3	246.9	11.5	256.4	266.4	10.6	253.3	286.8	9.8	249.7	309.7	9.0	244.9	331.1	8.3	234.7	343.0	7.7	224.5	353.9	7.1								
42.0	272.6	213.3	13.8	270.3	229.9	12.8	267.6	248.0	11.8	264.6	267.4	10.9	261.3	287.9	10.1	257.6	310.9	9.2	251.8	331.4	8.5	241.3	343.4	7.9	230.7	354.6	7.3								
44.0	281.2	215.2	14.1	278.8	231.4	13.1	276.0	249.2	12.1	272.9	268.5	11.2	269.5	288.9	10.4	265.6	312.2	9.5	258.9	331.4	8.8	247.9	343.6	8.1	237.1	355.1	7.5								
45.0	285.5	216.3	14.3	283.1	232.3	13.3	280.3	249.9	12.3	277.2	269.1	11.4	273.7	289.5	10.5	269.7	312.7	9.6	262.4	331.4	8.9	251.3	343.7	8.2	240.3	355.3	7.6								
46.0	289.9	217.4	14.4	287.4	233.2	13.4	284.6	250.7	12.5	281.4	269.8	11.5	277.9	290.1	10.6	273.8	313.4	9.8	266.0	331.5	9.0	254.7	343.8	8.3	243.5	355.5	7.7								
48.0	298.8	219.9	14.7	296.3	235.3	13.7	293.4	252.4	12.8	290.1	271.2	11.8	286.5	291.4	10.9	282.2	314.7	10.0	273.3	331.4	9.2	261.7	343.8	8.5	250.2	355.6	7.9								
50.0	307.8	222.7	15.0	305.3	237.6	14.0	302.3	254.4	13.1	299.0	273.0	12.1	295.2	293.0	11.2	290.8	316.1	10.3	280.7	331.3	9.5	268.8	343.8	8.8	256.9	355.8	8.1								
52.0	317.0	225.8	15.3	314.5	240.3	14.3	311.5	256.6	13.3	308.0	274.9	12.4	304.2	294.7	11.5	299.6	317.8	10.5	288.2	331.3	9.7	276.0	343.8	9.0	263.8	355.8	8.3								
55.0	331.1	231.1	15.6	328.5	244.8	14.7	325.4	260.5	13.8	321.9	278.2	12.8	317.9	297.6	11.9	312.4	319.0	10.9	299.8	331.4	10.1	287.1	343.7	9.4	274.4	355.8	8.7								
MODEL: YCIV0287E/V																												E_IPLV = 12.9				V_IPLV = 14.8			
AIR TEMPERATURE ON - CONDENSER (°F)																																			
LCWT (°F)	75			80			85			90			95			100			105			110			115										
	TONS	KW	EER	TONS	KW	EER	TONS	KW	EER	TONS	KW	EER	TONS	KW	EER	TONS	KW	EER	TONS	KW	EER	TONS	KW	EER	TONS	KW	EER								
40.0	281.2	222.4	13.6	278.8	240.6	12.6	276.1	260.6	11.6	273.1	282.2	10.7	270.0	304.7	9.8	266.3	330.2	9.0	261.8	354.9	8.3	251.2	365.8	7.7	240.7	375.4	7.2								
42.0	290.1	224.2	14.0	287.6	241.7	12.9	284.8	261.4	11.9	281.7	282.7	11.0	278.4	305.4	10.1	274.6	331.0	9.3	269.1	354.4	8.5	258.1	365.7	7.9	247.2	375.7	7.4								
44.0	299.3	226.2	14.3	296.7	243.2	13.3	293.8	262.4	12.3	290.5	283.5	11.3	287.1	306.0	10.4	283.1	331.8	9.5	276.5	353.7	8.8	265.1	365.4	8.1	253.9	375.8	7.6								
45.0	303.9	227.4	14.4	301.3	244.2	13.4	298.3	263.1	12.4	295.0	284.0	11.5	291.5	306.4	10.5	287.4	332.2	9.6	280.3	353.4	8.9	268.7	365.1	8.3	257.3	375.7	7.7								
46.0	308.6	228.7	14.6	305.9	245.2	13.6	302.9	263.9	12.6	299.6	284.5	11.6	296.0	306.8	10.7	291.8	332.6	9.8	284.1	353.0	9.0	272.4	364.8	8.4	260.8	375.6	7.8								
48.0	318.1	231.7	14.9	315.4	247.4	13.9	312.2	265.5	12.9	308.8	285.7	11.9	305.0	307.8	11.0	300.7	333.6	10.1	291.8	352.3	9.3	279.8	364.2	8.6	267.8	375.1	8.0								
50.0	327.8	235.1	15.1	325.0	250.0	14.2	321.8	267.5	13.2	318.2	287.4	12.2	314.3	309.2	11.3	309.8	334.6	10.3	299.7	351.5	9.5	287.3	363.4	8.9	274.9	374.6	8.3								
52.0	337.8	239.0	15.3	334.8	253.2	14.4	331.5	269.9	13.5	327.8	289.4	12.5	323.8	310.7	11.6	319.1	335.8	10.6	307.7	350.8	9.8	295.0	362.6	9.1	282.2	373.9	8.5								
55.0	353.0	245.8	15.6	349.9	258.6	14.8	346.5	274.4	13.9	342.7	292.8	12.9	338.4	313.4	12.0	333.2	337.9	11.0	320.0	349.8	10.2	306.7	361.6	9.5	293.5	372.7	8.9								

NOTES:

1. kW = Compressor Input Power
2. EER = Chiller EER (includes power from compressors, fans, and control panels 0.8 KW/i)
3. LCWT = Leaving Chilled Water Temperature
4. Ratings based on 2.4 GPM cooler water per ton
5. Rated IAW AHRI Standard 550/590

MODEL: YCIV0327E/V **E_IPLV = 13.8** **V_IPLV = 14.8**

AIR TEMPERATURE ON - CONDENSER (°F)																											
LCWT (°F)	75			80			85			90			95			100			105			110			115		
	TONS	KW	EER	TONS	KW	EER	TONS	KW	EER	TONS	KW	EER	TONS	KW	EER	TONS	KW	EER	TONS	KW	EER	TONS	KW	EER	TONS	KW	EER
40.0	305.7	244.9	13.5	303.0	264.3	12.5	300.2	285.6	11.5	297.2	308.6	10.6	293.9	332.8	9.8	290.2	360.1	9.0	283.6	382.0	8.3	273.3	395.7	7.8	262.0	405.9	7.3
42.0	315.4	246.9	13.8	312.6	265.9	12.8	309.7	286.8	11.8	306.4	309.5	10.9	303.0	333.8	10.1	299.1	361.2	9.2	291.6	382.1	8.6	280.6	395.6	8.0	269.0	406.3	7.5
44.0	325.4	249.3	14.1	322.5	267.8	13.1	319.3	288.4	12.2	315.9	310.7	11.2	312.3	334.8	10.4	308.2	362.3	9.5	299.7	382.2	8.8	288.1	395.4	8.2	276.1	406.4	7.6
45.0	330.4	250.7	14.3	327.5	268.8	13.3	324.3	289.2	12.3	320.8	311.4	11.4	317.1	335.4	10.5	312.8	362.9	9.6	303.9	382.1	8.9	292.0	395.2	8.3	279.7	406.4	7.7
46.0	335.5	252.1	14.4	332.5	270.0	13.4	329.2	290.1	12.5	325.7	312.3	11.5	321.9	336.1	10.6	317.5	363.6	9.8	308.1	382.2	9.0	295.9	395.0	8.4	283.4	406.3	7.9
48.0	345.9	255.3	14.7	342.8	272.5	13.7	339.4	292.2	12.8	335.6	313.9	11.8	331.6	337.6	10.9	326.7	364.4	10.0	316.6	382.0	9.3	303.7	394.5	8.6	290.9	406.0	8.1
50.0	356.6	258.9	15.0	353.3	275.5	14.0	349.7	294.7	13.1	345.8	315.9	12.1	341.7	339.2	11.2	335.8	364.4	10.3	325.0	381.4	9.6	311.7	393.8	8.9	298.5	405.5	8.3
52.0	367.5	262.9	15.2	364.0	278.9	14.3	360.3	297.4	13.3	356.2	318.2	12.4	351.9	341.2	11.5	345.0	364.6	10.6	333.5	380.8	9.8	319.9	393.2	9.1	304.6	401.2	8.5
55.0	384.2	270.0	15.5	380.5	284.7	14.7	376.6	302.2	13.7	372.3	322.4	12.8	367.7	344.7	11.9	359.2	365.2	11.0	346.6	380.1	10.2	332.4	392.2	9.5	309.4	385.0	9.0

MODEL: YCIV0357E/V **E_IPLV = 12.2** **V_IPLV = 15.3**

AIR TEMPERATURE ON - CONDENSER (°F)																											
LCWT (°F)	75			80			85			90			95			100			105			110			115		
	TONS	KW	EER	TONS	KW	EER	TONS	KW	EER	TONS	KW	EER	TONS	KW	EER	TONS	KW	EER	TONS	KW	EER	TONS	KW	EER	TONS	KW	EER
40.0	346.6	284.0	13.2	343.6	304.5	12.3	340.1	326.6	11.4	336.3	349.9	10.6	332.2	374.5	9.9	327.5	402.4	9.1	321.2	428.4	8.4	311.7	448.5	7.8	301.2	466.3	7.3
42.0	357.6	286.7	13.5	354.5	307.2	12.6	351.0	329.1	11.7	347.0	352.4	10.9	342.7	376.9	10.1	337.8	404.9	9.3	330.8	430.1	8.6	320.6	449.8	8.0	309.7	467.6	7.5
44.0	368.9	289.8	13.8	365.6	310.1	12.9	362.0	331.8	12.0	357.9	355.0	11.1	353.5	379.5	10.4	348.3	407.5	9.5	340.5	431.9	8.8	329.7	451.1	8.2	318.4	468.9	7.7
45.0	374.5	291.4	14.0	371.3	311.6	13.0	367.6	333.3	12.1	363.5	356.4	11.3	358.9	380.9	10.5	353.7	408.8	9.7	345.5	432.8	9.0	334.4	451.7	8.3	322.9	469.5	7.8
46.0	380.3	293.1	14.1	377.0	313.1	13.2	373.3	334.8	12.3	369.0	358.0	11.4	364.4	382.4	10.6	359.1	410.3	9.8	350.5	433.7	9.1	339.1	452.3	8.4	327.3	470.2	7.8
48.0	391.9	296.6	14.4	388.6	316.4	13.5	384.7	337.9	12.5	380.4	361.0	11.7	375.7	385.3	10.8	369.9	412.9	10.0	360.8	435.5	9.3	348.7	453.5	8.6	336.5	471.4	8.0
50.0	403.8	300.3	14.7	400.4	320.0	13.7	396.5	341.3	12.8	392.0	364.1	11.9	387.1	388.4	11.1	380.7	415.0	10.3	370.9	436.8	9.5	358.4	454.8	8.9	341.0	461.4	8.3
52.0	415.9	304.4	14.9	412.4	323.7	14.0	408.4	344.9	13.1	403.8	367.5	12.2	398.8	391.7	11.3	391.6	417.1	10.5	381.1	438.3	9.8	368.3	456.1	9.1	344.4	448.8	8.6
55.0	434.4	309.8	15.3	431.1	328.9	14.4	426.7	350.6	13.4	422.0	373.0	12.6	416.7	397.1	11.7	408.3	420.6	10.9	396.9	440.6	10.1	383.6	458.1	9.4	349.0	430.4	9.1

NOTES:

1. kW = Compressor Input Power
2. EER = Chiller EER (includes power from compressors, fans, and control panels 0.8 Kw)
3. LCWT = Leaving Chilled Water Temperature
4. Ratings based on 2.4 GPM cooler water per ton
5. Rated IAW AHRI Standard 550/590

Standard Efficiency Ratings - SI - 460V/60Hz

FORM 201.23-EG1 (1013)

MODEL: YCIV0157S/P

AIR TEMPERATURE ON - CONDENSER (°C)																		
LCWT (°C)	25.0			30.0			35.0			40.0			45.0			46.0		
	KW	KW	COP	KW	KW	COP	KW	KW	COP	KW	KW	COP	KW	KW	COP	KW	KW	COP
5.0	528.8	135.9	3.5	520.9	155.3	3.1	511.8	176.4	2.7	497.4	200.1	2.3	462.2	219.0	2.0	455.0	222.9	1.9
6.0	543.2	136.7	3.6	535.0	156.1	3.2	525.5	177.2	2.8	509.5	200.8	2.4	473.3	219.7	2.0	465.8	223.7	2.0
7.0	557.9	137.6	3.7	549.4	156.9	3.2	539.5	178.1	2.8	521.7	201.4	2.4	484.5	220.4	2.1	476.8	224.4	2.0
8.0	572.9	138.6	3.8	564.1	157.8	3.3	553.7	179.0	2.9	533.9	202.0	2.5	495.5	221.3	2.1	487.9	225.1	2.1
9.0	588.0	139.6	3.8	578.9	158.7	3.4	568.2	179.9	2.9	546.3	202.6	2.5	507.2	221.9	2.2	499.2	225.8	2.1
10.0	603.4	140.8	3.9	594.1	159.7	3.4	583.0	180.9	3.0	558.9	203.2	2.6	519.0	222.6	2.2	510.8	226.5	2.1
11.0	619.1	141.9	4.0	609.5	160.8	3.5	598.0	182.0	3.1	571.6	203.8	2.6	531.0	223.2	2.2	522.6	227.2	2.2
12.0	635.0	143.2	4.1	625.1	161.9	3.6	613.2	183.1	3.1	584.5	204.4	2.7	542.9	223.8	2.3	532.1	228.0	2.2
13.0	651.2	144.5	4.1	641.0	163.1	3.6	628.7	184.2	3.2	597.5	205.1	2.7	555.1	224.4	2.3	537.5	229.0	2.3

MODEL: YCIV0177S/P

AIR TEMPERATURE ON - CONDENSER (°C)																		
LCWT (°C)	25.0			30.0			35.0			40.0			45.0			46.0		
	KW	KW	COP	KW	KW	COP	KW	KW	COP	KW	KW	COP	KW	KW	COP	KW	KW	COP
5.0	587.3	149.5	3.6	576.4	171.3	3.1	563.2	194.8	2.7	536.0	213.2	2.4	491.4	223.4	2.1	462.3	211.2	2.1
6.0	603.7	150.6	3.7	592.6	172.3	3.2	579.1	195.9	2.8	550.1	213.8	2.4	496.5	219.2	2.1	467.9	207.4	2.1
7.0	620.4	151.6	3.8	609.2	173.3	3.3	595.2	197.0	2.8	563.9	214.3	2.5	502.4	215.2	2.2	474.0	203.7	2.2
8.0	637.4	152.7	3.8	626.0	174.4	3.3	611.2	197.8	2.9	577.7	214.6	2.5	508.8	211.4	2.3	479.4	199.7	2.3
9.0	654.7	153.9	3.9	643.0	175.5	3.4	626.8	198.3	3.0	591.8	215.0	2.6	514.8	207.3	2.3	484.4	195.6	2.3
10.0	672.0	155.1	4.0	660.4	176.6	3.5	642.6	198.8	3.0	605.9	215.4	2.7	520.5	203.1	2.4	488.9	191.4	2.4
11.0	689.4	156.6	4.1	677.8	177.9	3.5	658.6	199.3	3.1	620.3	215.7	2.7	525.7	198.9	2.5	493.2	187.3	2.5
12.0	707.1	158.1	4.1	695.4	179.2	3.6	674.7	199.8	3.2	634.8	216.0	2.8	530.6	194.6	2.6	497.4	183.3	2.5
13.0	725.1	159.6	4.2	713.3	180.6	3.7	691.0	200.4	3.2	649.5	216.3	2.8	534.7	190.5	2.6	501.5	179.3	2.6

MODEL: YCIV0187S/P

AIR TEMPERATURE ON - CONDENSER (°C)																		
LCWT (°C)	25.0			30.0			35.0			40.0			45.0			46.0		
	KW	KW	COP	KW	KW	COP	KW	KW	COP	KW	KW	COP	KW	KW	COP	KW	KW	COP
5.0	639.4	161.3	3.6	628.8	184.3	3.2	616.7	209.4	2.8	594.6	234.7	2.4	551.9	250.6	2.1	543.3	253.8	2.0
6.0	657.2	162.5	3.7	646.3	185.3	3.2	633.7	210.4	2.8	608.9	235.1	2.4	564.8	251.2	2.1	556.2	254.3	2.1
7.0	675.3	163.7	3.8	664.0	186.4	3.3	651.0	211.6	2.9	623.5	235.5	2.5	578.2	251.7	2.2	569.2	254.8	2.1
8.0	693.7	165.1	3.9	682.0	187.6	3.4	668.4	212.8	2.9	638.4	235.8	2.5	591.9	252.1	2.2	582.6	255.3	2.2
9.0	712.5	166.6	3.9	700.4	188.9	3.4	686.2	214.0	3.0	653.5	236.2	2.6	605.8	252.5	2.3	596.2	255.7	2.2
10.0	731.6	168.1	4.0	719.0	190.3	3.5	704.3	215.3	3.1	668.7	236.6	2.7	619.9	252.9	2.3	605.6	252.7	2.3
11.0	751.0	169.7	4.1	738.0	191.7	3.6	722.8	216.7	3.1	683.9	237.0	2.7	634.3	253.2	2.4	610.8	246.4	2.3
12.0	770.7	171.5	4.1	757.3	193.3	3.6	741.6	218.1	3.2	699.5	237.4	2.8	648.9	253.5	2.4	616.4	240.4	2.4
13.0	790.7	173.4	4.2	776.9	194.9	3.7	760.7	219.7	3.2	715.3	237.8	2.8	660.2	251.2	2.5	621.8	234.4	2.5

NOTES:

1. kW_o = Unit kW Cooling Capacity Output
2. kW_i = Compressor kW Input
3. COP = Coefficient of Performance (includes condenser fan power)
4. LCWT = Leaving Chilled Water Temperature
5. Ratings based on 0.15 l/s cooler water per ton, and 0.018 (m² - °C)/kW

MODEL: YCIV0207S/P

AIR TEMPERATURE ON - CONDENSER (°C)																		
LCWT (°C)	25.0			30.0			35.0			40.0			45.0			46.0		
	KW	KW	COP	KW	KW	COP	KW	KW	COP	KW	KW	COP	KW	KW	COP	KW	KW	COP
5.0	689.5	174.1	3.6	676.6	200.8	3.1	662.1	230.6	2.7	629.2	253.3	2.3	564.5	253.3	2.1	530.0	238.1	2.1
6.0	709.0	175.2	3.7	695.5	201.6	3.2	680.0	231.2	2.8	644.2	253.1	2.4	569.7	247.9	2.2	536.2	233.4	2.2
7.0	728.8	176.5	3.8	714.8	202.5	3.3	697.4	231.3	2.8	659.6	252.8	2.5	576.2	242.9	2.2	542.0	228.4	2.2
8.0	749.1	178.0	3.9	734.4	203.5	3.4	715.2	231.5	2.9	675.3	252.5	2.5	582.3	237.6	2.3	547.6	223.5	2.3
9.0	769.7	179.7	4.0	754.5	204.7	3.4	733.3	231.7	3.0	691.2	252.1	2.6	588.4	232.3	2.4	553.1	218.7	2.4
10.0	790.7	181.7	4.0	774.9	206.1	3.5	751.7	232.0	3.0	707.2	251.7	2.7	594.3	227.2	2.5	558.1	214.1	2.4
11.0	812.1	183.9	4.1	795.7	207.7	3.6	770.3	232.4	3.1	723.6	251.3	2.7	599.9	222.3	2.5	563.0	209.6	2.5
12.0	834.0	186.3	4.1	816.9	209.4	3.6	789.3	232.9	3.2	740.2	250.9	2.8	605.2	217.5	2.6	567.7	205.0	2.6
13.0	856.2	188.9	4.2	838.5	211.4	3.7	808.6	233.6	3.3	757.1	250.6	2.9	610.1	213.0	2.7	572.5	200.7	2.7

MODEL: YCIV0227S/P

AIR TEMPERATURE ON - CONDENSER (°C)																		
LCWT (°C)	25.0			30.0			35.0			40.0			45.0			46.0		
	KW	KW	COP	KW	KW	COP	KW	KW	COP	KW	KW	COP	KW	KW	COP	KW	KW	COP
5.0	748.4	186.3	3.7	735.1	212.7	3.2	720.1	241.8	2.8	690.4	268.3	2.4	640.3	281.4	2.2	630.5	283.7	2.1
6.0	769.6	187.7	3.8	755.7	214.0	3.3	739.9	243.0	2.9	707.1	268.5	2.5	655.5	281.6	2.2	645.2	284.0	2.1
7.0	791.1	189.3	3.8	776.7	215.3	3.4	760.1	244.5	2.9	724.0	268.6	2.5	671.0	281.8	2.3	660.4	284.2	2.2
8.0	813.1	191.0	3.9	798.1	216.8	3.4	780.9	245.9	3.0	741.2	268.7	2.6	686.8	282.0	2.3	676.0	284.4	2.2
9.0	835.5	192.8	4.0	819.9	218.4	3.5	802.0	247.4	3.0	758.8	268.7	2.7	702.9	282.0	2.4	690.9	283.9	2.3
10.0	858.4	194.8	4.1	842.2	220.1	3.6	823.6	248.9	3.1	776.3	268.8	2.7	719.2	282.1	2.4	697.1	277.8	2.4
11.0	881.7	196.9	4.1	864.9	221.9	3.6	845.6	250.6	3.2	794.4	268.9	2.8	735.9	282.1	2.5	703.5	271.5	2.4
12.0	905.3	199.2	4.2	888.1	223.9	3.7	867.9	252.5	3.2	812.7	269.0	2.8	752.5	281.8	2.5	710.1	265.0	2.5
13.0	929.1	201.6	4.3	911.5	225.9	3.8	890.8	254.3	3.3	831.3	269.1	2.9	759.3	275.0	2.6	716.0	258.1	2.6

MODEL: YCIV0247S/P

AIR TEMPERATURE ON - CONDENSER (°C)																		
LCWT (°C)	25.0			30.0			35.0			40.0			45.0			46.0		
	KW	KW	COP	KW	KW	COP	KW	KW	COP	KW	KW	COP	KW	KW	COP	KW	KW	COP
5.0	821.2	205.3	3.7	807.2	233.7	3.2	791.2	265.0	2.8	762.5	295.6	2.4	716.5	315.6	2.1	707.4	319.3	2.1
6.0	844.2	206.9	3.8	829.7	235.2	3.3	812.9	266.5	2.9	781.4	296.3	2.5	733.9	316.3	2.2	724.3	320.2	2.1
7.0	867.7	208.7	3.8	852.5	236.9	3.3	834.9	268.3	2.9	800.6	296.9	2.5	751.6	317.0	2.2	740.0	319.7	2.2
8.0	891.5	210.6	3.9	875.8	238.6	3.4	857.5	270.0	3.0	820.1	297.5	2.6	769.8	317.7	2.3	747.8	313.5	2.3
9.0	915.8	212.6	4.0	899.5	240.5	3.5	880.5	271.8	3.0	839.9	298.1	2.7	788.2	318.3	2.3	755.3	306.8	2.3
10.0	940.5	214.7	4.0	923.7	242.4	3.5	904.0	273.6	3.1	859.8	298.7	2.7	804.7	317.4	2.4	762.4	299.8	2.4
11.0	965.7	217.0	4.1	948.2	244.5	3.6	927.8	275.6	3.2	880.3	299.3	2.8	812.6	310.3	2.5	769.0	292.3	2.5
12.0	991.2	219.5	4.2	973.3	246.7	3.7	952.1	277.6	3.2	901.1	300.0	2.8	820.0	302.7	2.6	775.2	284.8	2.6
13.0	1017.2	221.4	4.2	998.6	248.9	3.7	976.9	279.8	3.3	922.2	300.7	2.9	826.9	294.9	2.6	780.9	277.5	2.6

NOTES:

1. kW_o = Unit kW Cooling Capacity Output
2. kW_i = Compressor kW Input
3. COP = Coefficient of Performance (includes condenser fan power)
4. LCWT = Leaving Chilled Water Temperature
5. Ratings based on 0.15 l/s cooler water per ton, and 0.018 (m² – °C)/kW

Standard Efficiency Ratings - SI - 460V/60Hz

FORM 201.23-EG1 (1013)

MODEL: YCIV0267S/P

AIR TEMPERATURE ON - CONDENSER (°C)																		
LCWT (°C)	25.0			30.0			35.0			40.0			45.0			46.0		
	KW	KW	COP	KW	KW	COP	KW	KW	COP	KW	KW	COP	KW	KW	COP	KW	KW	COP
5.0	894.3	224.1	3.7	879.6	254.5	3.2	862.6	287.9	2.8	834.9	322.6	2.4	793.0	349.4	2.2	784.6	354.6	2.1
6.0	919.1	225.9	3.7	903.8	256.3	3.3	886.1	289.8	2.9	856.0	323.7	2.5	812.6	350.6	2.2	803.8	356.0	2.1
7.0	944.5	227.9	3.8	928.6	258.2	3.3	909.9	291.8	2.9	877.4	324.8	2.5	832.6	351.8	2.2	821.7	355.9	2.2
8.0	970.2	230.0	3.9	953.7	260.2	3.4	934.4	293.8	3.0	899.1	325.9	2.6	853.0	353.0	2.3	829.3	348.0	2.3
9.0	996.3	232.2	4.0	979.4	262.3	3.5	959.2	295.9	3.0	921.3	327.0	2.7	873.9	354.2	2.3	837.1	339.9	2.3
10.0	1023.0	234.5	4.0	1005.4	264.4	3.5	984.6	298.0	3.1	943.6	328.3	2.7	892.6	353.8	2.4	844.9	331.8	2.4
11.0	1050.0	236.9	4.1	1031.8	266.8	3.6	1010.4	300.2	3.2	966.5	329.4	2.8	900.9	345.1	2.5	852.6	323.9	2.5
12.0	1077.5	239.6	4.2	1058.8	269.2	3.7	1036.6	302.5	3.2	989.7	330.6	2.8	909.1	336.6	2.6	860.1	316.1	2.6
13.0	1105.6	241.0	4.2	1086.0	271.7	3.7	1063.2	305.0	3.3	1013.3	331.9	2.9	917.1	328.3	2.6	867.0	308.9	2.6

MODEL: YCIV0287S/P

AIR TEMPERATURE ON - CONDENSER (°C)																		
LCWT (°C)	25.0			30.0			35.0			40.0			45.0			46.0		
	KW	KW	COP	KW	KW	COP	KW	KW	COP	KW	KW	COP	KW	KW	COP	KW	KW	COP
5.0	949.5	235.7	3.7	932.1	270.9	3.2	911.8	309.3	2.8	873.5	343.0	2.4	791.6	351.8	2.1	743.1	331.8	2.1
6.0	976.3	237.2	3.8	958.3	272.2	3.3	937.2	310.6	2.8	895.5	343.5	2.5	799.7	345.2	2.2	752.1	326.0	2.2
7.0	1003.6	238.8	3.9	985.0	273.5	3.3	962.8	311.8	2.9	917.2	343.8	2.5	808.0	338.3	2.2	761.5	320.1	2.2
8.0	1031.4	240.6	3.9	1012.3	275.0	3.4	988.1	312.5	3.0	939.4	343.9	2.6	818.0	332.1	2.3	770.3	313.8	2.3
9.0	1059.7	242.7	4.0	1040.1	276.6	3.5	1013.9	313.3	3.0	962.0	344.1	2.6	827.4	325.5	2.4	778.7	307.4	2.4
10.0	1088.5	244.9	4.1	1068.4	278.3	3.6	1040.2	314.2	3.1	985.0	344.1	2.7	836.6	318.9	2.5	786.4	301.0	2.4
11.0	1117.8	247.5	4.2	1097.2	280.3	3.6	1066.9	315.2	3.2	1008.2	344.2	2.8	845.3	312.3	2.5	793.4	294.7	2.5
12.0	1147.6	250.2	4.2	1126.5	282.5	3.7	1094.0	316.2	3.2	1031.7	344.3	2.8	853.4	305.9	2.6	800.2	288.4	2.6
13.0	1177.9	253.1	4.3	1156.3	284.9	3.8	1121.6	317.4	3.3	1055.6	344.5	2.9	860.6	299.5	2.7	806.8	282.3	2.7

MODEL: YCIV0307S/P

AIR TEMPERATURE ON - CONDENSER (°C)																		
LCWT (°C)	25.0			30.0			35.0			40.0			45.0			46.0		
	KW	KW	COP	KW	KW	COP	KW	KW	COP	KW	KW	COP	KW	KW	COP	KW	KW	COP
5.0	1055.2	260.0	3.7	1036.1	300.0	3.2	1014.7	344.4	2.8	970.6	382.0	2.4	868.6	380.9	2.2	815.4	358.2	2.1
6.0	1084.9	261.7	3.8	1064.9	301.1	3.3	1042.0	345.2	2.8	993.7	381.8	2.5	876.5	372.8	2.2	824.1	350.8	2.2
7.0	1115.3	263.6	3.9	1094.4	302.4	3.4	1069.2	345.6	2.9	1017.4	381.4	2.5	885.7	364.9	2.3	833.7	343.8	2.3
8.0	1146.3	265.7	4.0	1124.5	303.8	3.4	1097.1	346.1	3.0	1041.6	380.9	2.6	896.0	357.4	2.4	842.6	336.4	2.3
9.0	1178.0	268.2	4.0	1155.3	305.5	3.5	1125.4	346.8	3.0	1066.2	380.3	2.6	905.5	349.6	2.4	851.2	329.2	2.4
10.0	1210.2	271.0	4.1	1186.6	307.5	3.6	1154.3	347.5	3.1	1091.1	379.7	2.7	914.9	342.0	2.5	859.2	322.3	2.5
11.0	1243.0	274.2	4.2	1218.5	309.9	3.7	1183.7	348.4	3.2	1116.3	379.2	2.8	923.7	334.6	2.6	866.8	315.5	2.6
12.0	1276.6	277.7	4.2	1251.1	312.4	3.7	1213.7	349.5	3.3	1142.1	378.6	2.8	932.2	327.6	2.7	874.2	308.8	2.6
13.0	1310.6	281.6	4.3	1284.3	315.2	3.8	1244.1	350.9	3.3	1168.3	378.1	2.9	939.9	320.7	2.7	881.4	302.2	2.7

NOTES:

1. kW_o = Unit kW Cooling Capacity Output
2. kW_i = Compressor kW Input
3. COP = Coefficient of Performance (includes condenser fan power)
4. LCWT = Leaving Chilled Water Temperature
5. Ratings based on 0.15 l/s cooler water per ton, and 0.018 (m² - °C)/kW

MODEL: YCIV0357S/P

AIR TEMPERATURE ON - CONDENSER (°C)

LCWT (°C)	25.0			30.0			35.0			40.0			45.0			46.0		
	KW	KW	COP	KW	KW	COP	KW	KW	COP	KW	KW	COP	KW	KW	COP	KW	KW	COP
5.0	1191.3	297.4	3.7	1170.8	339.2	3.2	1147.5	384.9	2.8	1105.5	429.4	2.4	1034.8	455.7	2.1	1020.8	460.7	2.1
6.0	1224.9	299.8	3.8	1203.5	341.3	3.3	1179.0	387.1	2.9	1132.5	430.1	2.5	1059.6	456.7	2.2	1045.0	461.8	2.1
7.0	1259.1	302.2	3.8	1236.8	343.5	3.3	1211.2	389.4	2.9	1160.1	430.8	2.5	1085.1	457.5	2.2	1070.0	462.6	2.2
8.0	1294.0	304.8	3.9	1270.8	345.9	3.4	1244.0	391.8	3.0	1188.2	431.4	2.6	1111.1	458.3	2.3	1085.2	456.6	2.2
9.0	1329.5	307.8	4.0	1305.4	348.5	3.5	1277.5	394.4	3.0	1216.8	432.1	2.7	1137.4	459.0	2.3	1096.7	447.7	2.3
10.0	1365.7	310.8	4.0	1340.7	351.3	3.6	1311.7	396.9	3.1	1245.7	432.7	2.7	1164.1	459.7	2.4	1107.5	438.0	2.4
11.0	1402.6	314.0	4.1	1376.7	354.1	3.6	1346.7	399.6	3.2	1275.0	433.4	2.8	1179.6	452.3	2.5	1117.3	427.4	2.5
12.0	1439.8	317.6	4.2	1413.4	357.2	3.7	1382.2	402.6	3.2	1305.0	434.1	2.8	1190.8	441.7	2.5	1126.4	416.4	2.5
13.0	1477.6	321.0	4.3	1450.3	360.4	3.7	1418.5	405.6	3.3	1335.5	434.8	2.9	1201.1	430.5	2.6	1134.7	405.3	2.6

MODEL: YCIV0397S/P

AIR TEMPERATURE ON - CONDENSER (°C)

LCWT (°C)	25.0			30.0			35.0			40.0			45.0			46.0		
	KW	KW	COP	KW	KW	COP	KW	KW	COP	KW	KW	COP	KW	KW	COP	KW	KW	COP
5.0	1337.3	335.1	3.7	1315.3	380.8	3.2	1289.8	430.8	2.8	1249.5	483.0	2.4	1187.1	523.1	2.2	1174.5	531.1	2.1
6.0	1374.7	337.8	3.7	1351.8	383.4	3.3	1325.2	433.5	2.9	1280.8	484.8	2.5	1216.1	525.1	2.2	1203.0	533.2	2.1
7.0	1412.9	340.6	3.8	1389.0	386.1	3.3	1361.1	436.5	2.9	1312.9	486.5	2.5	1246.0	527.0	2.2	1232.4	535.0	2.2
8.0	1451.9	343.7	3.9	1426.9	389.2	3.4	1397.9	439.5	3.0	1345.7	488.2	2.6	1276.5	528.7	2.3	1248.8	526.9	2.2
9.0	1491.4	347.1	4.0	1465.7	392.3	3.5	1435.3	442.7	3.0	1379.2	489.9	2.7	1307.7	530.5	2.3	1260.5	514.9	2.3
10.0	1531.8	350.5	4.0	1505.1	395.5	3.5	1473.6	445.8	3.1	1412.8	491.7	2.7	1339.2	532.4	2.4	1272.3	502.8	2.4
11.0	1572.9	354.1	4.1	1545.3	398.8	3.6	1512.7	449.1	3.2	1447.4	493.5	2.8	1356.6	523.1	2.5	1283.9	490.8	2.5
12.0	1613.6	357.9	4.2	1586.1	402.5	3.7	1552.4	452.5	3.2	1482.4	495.3	2.8	1369.0	510.3	2.5	1295.3	479.1	2.5
13.0	0.0	0.0	0.0	1626.5	406.1	3.7	1593.0	456.1	3.3	1518.1	497.1	2.9	1381.2	497.7	2.6	1306.2	467.9	2.6

NOTES:

1. kW_o = Unit kW Cooling Capacity Output
2. kW_i = Compressor kW Input
3. COP = Coefficient of Performance (includes condenser fan power)
4. LCWT = Leaving Chilled Water Temperature
5. Ratings based on 0.15 l/s cooler water per ton, and 0.018 (m² – °C)/kW

High Efficiency Ratings - SI - 460V/60Hz

FORM 201.23-EG1 (1013)

MODEL: YCIV0157E/V

AIR TEMPERATURE ON - CONDENSER (°C)																		
LCWT (°C)	25.0			30.0			35.0			40.0			45.0			46.0		
	KW	KW	COP	KW	KW	COP	KW	KW	COP	KW	KW	COP	KW	KW	COP	KW	KW	COP
5.0	525.0	125.6	3.8	515.6	141.9	3.3	503.3	159.4	2.9	487.8	180.0	2.5	449.0	196.6	2.1	441.1	200.0	2.1
6.0	539.7	126.6	3.9	530.4	143.0	3.4	518.1	160.6	3.0	500.9	180.9	2.6	460.8	197.3	2.2	452.7	200.7	2.1
7.0	554.7	127.6	3.9	545.4	144.1	3.5	533.0	161.8	3.0	514.0	181.8	2.6	472.8	198.1	2.2	464.5	201.5	2.2
8.0	569.9	128.7	4.0	560.7	145.3	3.5	548.1	163.0	3.1	527.2	182.7	2.7	484.9	198.9	2.3	476.5	202.3	2.2
9.0	585.2	129.7	4.1	576.2	146.4	3.6	563.5	164.2	3.2	540.5	183.7	2.7	497.0	199.9	2.3	488.4	203.2	2.3
10.0	600.7	130.8	4.2	591.8	147.6	3.7	579.1	165.5	3.2	554.0	184.6	2.8	509.5	200.8	2.4	500.6	204.1	2.3
11.0	616.4	131.8	4.2	607.7	148.8	3.8	594.9	166.9	3.3	567.6	185.6	2.9	522.3	201.7	2.4	513.2	205.0	2.4
12.0	632.2	132.9	4.3	623.8	150.0	3.8	610.9	168.2	3.4	581.2	186.6	2.9	535.2	202.6	2.5	525.9	205.9	2.4
13.0	648.3	134.0	4.4	640.1	151.3	3.9	627.2	169.6	3.4	595.0	187.6	3.0	548.3	203.6	2.5	538.8	206.9	2.5

MODEL: YCIV0177E/V

AIR TEMPERATURE ON - CONDENSER (°C)																		
LCWT (°C)	25.0			30.0			35.0			40.0			45.0			46.0		
	KW	KW	COP	KW	KW	COP	KW	KW	COP	KW	KW	COP	KW	KW	COP	KW	KW	COP
5.0	558.7	131.8	3.8	550.3	150.1	3.3	540.3	170.4	2.9	525.1	193.6	2.5	492.2	213.8	2.2	484.3	217.7	2.1
6.0	574.5	132.8	3.9	565.7	150.9	3.4	555.3	171.2	3.0	538.7	194.3	2.6	504.1	214.5	2.2	496.2	218.3	2.1
7.0	590.5	133.8	4.0	581.5	151.8	3.5	570.6	172.1	3.1	552.7	194.9	2.6	516.4	215.0	2.2	508.1	218.9	2.2
8.0	606.9	134.9	4.1	597.5	152.8	3.6	586.3	172.9	3.1	566.8	195.6	2.7	528.8	215.6	2.3	520.3	219.5	2.2
9.0	623.5	136.1	4.1	613.9	153.8	3.6	602.3	173.9	3.2	581.3	196.3	2.8	541.5	216.1	2.3	532.8	220.1	2.3
10.0	640.4	137.4	4.2	630.5	154.9	3.7	618.5	174.9	3.3	596.0	197.1	2.8	554.4	216.7	2.4	545.5	220.6	2.3
11.0	657.7	138.8	4.3	647.5	156.1	3.8	635.1	176.0	3.3	610.9	197.8	2.9	567.6	217.2	2.4	551.5	215.7	2.4
12.0	675.2	140.2	4.4	664.8	157.4	3.9	652.0	177.1	3.4	626.1	198.6	2.9	580.9	217.8	2.5	557.2	210.9	2.5
13.0	693.1	141.8	4.4	682.3	158.7	3.9	669.2	178.3	3.5	641.6	199.5	3.0	594.4	218.4	2.6	562.8	206.1	2.5

MODEL: YCIV0187E/V

AIR TEMPERATURE ON - CONDENSER (°C)																		
LCWT (°C)	25.0			30.0			35.0			40.0			45.0			46.0		
	KW	KW	COP	KW	KW	COP	KW	KW	COP	KW	KW	COP	KW	KW	COP	KW	KW	COP
5.0	621.1	146.3	3.8	611.6	167.4	3.3	600.1	190.8	2.9	582.8	216.0	2.5	547.1	232.6	2.2	538.6	235.6	2.1
6.0	638.5	147.3	3.9	628.9	168.2	3.4	617.0	191.5	3.0	598.1	216.4	2.6	560.8	233.0	2.2	552.0	236.0	2.2
7.0	656.2	148.3	4.0	646.4	169.0	3.5	634.2	192.3	3.0	613.8	216.7	2.6	574.6	233.4	2.3	565.6	236.4	2.2
8.0	674.1	149.4	4.1	664.2	169.9	3.6	651.7	193.2	3.1	629.7	217.0	2.7	588.8	233.6	2.4	579.5	236.7	2.3
9.0	692.3	150.7	4.1	682.2	170.9	3.6	669.4	194.1	3.2	645.8	217.3	2.8	603.2	233.9	2.4	593.7	236.9	2.3
10.0	710.7	152.1	4.2	700.4	172.0	3.7	687.3	195.0	3.2	662.3	217.6	2.8	617.8	234.1	2.5	608.1	237.2	2.4
11.0	729.4	153.5	4.3	719.0	173.2	3.8	705.6	196.1	3.3	678.9	218.0	2.9	632.7	234.3	2.5	622.8	237.3	2.5
12.0	748.4	155.1	4.4	737.8	174.6	3.9	724.1	197.2	3.4	695.7	218.3	3.0	647.8	234.4	2.6	632.7	234.3	2.5
13.0	767.7	156.8	4.4	756.9	176.0	3.9	742.9	198.5	3.5	712.8	218.7	3.0	663.1	234.6	2.6	638.4	228.6	2.6

NOTES:

1. kW_o = Unit kW Cooling Capacity Output
2. kW_i = Compressor kW Input
3. COP = Coefficient of Performance (includes condenser fan power)
4. LCWT = Leaving Chilled Water Temperature
5. Ratings based on 0.15 l/s cooler water per ton, and 0.018 (m² - °C)/kW

MODEL: YCIV0197E/V

AIR TEMPERATURE ON - CONDENSER (°C)																		
LCWT (°C)	25.0			30.0			35.0			40.0			45.0			46.0		
	KW	KW	COP	KW	KW	COP	KW	KW	COP	KW	KW	COP	KW	KW	COP	KW	KW	COP
5.0	672.7	158.3	3.8	661.6	182.6	3.3	648.7	210.3	2.9	631.4	241.5	2.4	586.1	254.8	2.2	577.1	257.1	2.1
6.0	691.7	159.3	3.9	680.1	183.1	3.4	666.7	210.7	2.9	647.0	241.1	2.5	600.4	254.8	2.2	591.1	257.3	2.2
7.0	711.0	160.5	4.0	699.0	183.7	3.5	685.1	211.1	3.0	662.9	240.6	2.6	614.9	254.7	2.3	605.4	257.2	2.2
8.0	730.8	162.0	4.1	718.3	184.6	3.6	703.9	211.6	3.1	678.8	240.1	2.6	629.7	254.4	2.3	620.0	257.0	2.3
9.0	750.9	163.6	4.2	737.9	185.6	3.7	723.0	212.2	3.2	695.2	239.6	2.7	645.0	254.0	2.4	634.8	256.7	2.3
10.0	771.3	165.6	4.2	758.0	186.7	3.7	742.4	213.0	3.2	711.9	239.0	2.8	660.3	253.6	2.4	650.0	256.3	2.4
11.0	792.1	167.8	4.3	778.4	188.1	3.8	762.2	213.9	3.3	728.8	238.5	2.9	675.9	253.1	2.5	665.4	255.8	2.4
12.0	813.3	170.2	4.4	799.1	189.8	3.9	782.4	214.9	3.4	745.9	238.1	2.9	691.8	252.5	2.6	681.0	255.3	2.5
13.0	834.9	172.9	4.4	820.2	191.6	3.9	803.0	216.1	3.5	763.0	237.8	3.0	707.8	252.0	2.6	696.9	254.7	2.6

MODEL: YCIV0207E/V

AIR TEMPERATURE ON - CONDENSER (°C)																		
LCWT (°C)	25.0			30.0			35.0			40.0			45.0			46.0		
	KW	KW	COP	KW	KW	COP	KW	KW	COP	KW	KW	COP	KW	KW	COP	KW	KW	COP
5.0	715.1	166.5	3.9	703.9	191.2	3.4	691.1	219.2	2.9	672.4	250.0	2.5	630.3	267.0	2.2	620.8	269.4	2.2
6.0	735.3	167.7	4.0	723.6	191.9	3.4	710.2	219.8	3.0	689.7	250.2	2.6	645.5	267.0	2.3	635.9	269.5	2.2
7.0	755.9	169.0	4.0	743.7	192.7	3.5	729.7	220.4	3.1	707.4	250.3	2.6	661.1	266.9	2.3	651.2	269.5	2.3
8.0	776.9	170.5	4.1	764.2	193.7	3.6	749.5	221.1	3.1	725.4	250.4	2.7	677.0	266.7	2.4	666.7	269.3	2.3
9.0	798.4	172.3	4.2	785.1	194.9	3.7	769.8	222.0	3.2	743.7	250.5	2.8	693.1	266.4	2.4	682.6	269.1	2.4
10.0	820.2	174.2	4.3	806.4	196.2	3.8	790.5	222.9	3.3	762.5	250.6	2.8	709.5	266.0	2.5	698.7	268.8	2.4
11.0	842.4	176.4	4.3	828.1	197.7	3.8	811.6	223.9	3.4	781.3	250.8	2.9	726.1	265.6	2.6	715.2	268.4	2.5
12.0	864.5	178.7	4.4	850.1	199.4	3.9	833.1	225.2	3.4	799.5	250.5	3.0	743.1	265.2	2.6	723.9	263.0	2.6
13.0	887.0	181.3	4.4	872.1	201.3	4.0	854.8	226.6	3.5	818.1	250.3	3.0	760.3	264.8	2.7	730.1	256.1	2.7

MODEL: YCIV0227E/V

AIR TEMPERATURE ON - CONDENSER (°C)																		
LCWT (°C)	25.0			30.0			35.0			40.0			45.0			46.0		
	KW	KW	COP	KW	KW	COP	KW	KW	COP	KW	KW	COP	KW	KW	COP	KW	KW	COP
5.0	743.0	172.5	3.9	731.8	196.6	3.4	718.8	223.9	3.0	703.0	255.9	2.6	661.8	274.3	2.3	652.0	277.0	2.2
6.0	764.0	173.7	3.9	752.3	197.7	3.5	738.8	224.8	3.0	722.2	256.8	2.6	678.0	274.4	2.3	667.8	277.1	2.3
7.0	785.4	175.2	4.0	773.3	198.8	3.5	759.2	225.7	3.1	741.8	257.9	2.7	694.3	274.5	2.4	684.1	277.2	2.3
8.0	807.2	176.7	4.1	794.7	200.0	3.6	780.0	226.8	3.2	761.9	259.0	2.7	711.1	274.5	2.4	700.6	277.2	2.4
9.0	829.4	178.3	4.2	816.5	201.3	3.7	801.2	227.9	3.2	782.3	260.0	2.8	728.2	274.4	2.5	717.3	277.2	2.4
10.0	851.7	180.1	4.3	838.7	202.8	3.8	822.9	229.1	3.3	801.1	260.0	2.9	745.6	274.4	2.5	734.4	277.1	2.5
11.0	874.2	182.1	4.3	860.8	204.3	3.8	844.9	230.4	3.4	820.0	260.1	2.9	763.3	274.3	2.6	751.8	277.0	2.5
12.0	897.1	184.2	4.4	883.2	206.0	3.9	866.8	231.9	3.4	839.3	260.1	3.0	781.0	274.2	2.7	769.5	276.9	2.6
13.0	920.3	186.4	4.5	906.1	207.7	4.0	889.1	233.4	3.5	858.7	260.2	3.1	799.3	274.1	2.7	787.3	276.8	2.7

NOTES:

1. kW = Compressor Input Power
2. EER = Chiller EER (includes power from compressors, fans, and control panels 0.8 kW)
3. LCWT = Leaving Chilled Water Temperature
4. Ratings based on 2.4 GPM cooler water per ton
5. Rated IAW AHRI Standard 550/590. AHRI 550/590 does not provide certification for 50Hz ratings. The unique use of the YCIV variable speed drive allows compressor operation at the output speed regardless of the input power frequency. This allows for common unit/heat exchanger configurations between 60Hz and 50Hz with closely matching capacity.

High Efficiency Ratings - SI - 460V/60Hz

FORM 201.23-EG1 (1013)

MODEL: YCIV0247E/V

AIR TEMPERATURE ON - CONDENSER (°C)																		
LCWT (°C)	25.0			30.0			35.0			40.0			45.0			46.0		
	KW	KW	COP	KW	KW	COP	KW	KW	COP	KW	KW	COP	KW	KW	COP	KW	KW	COP
5.0	824.5	198.8	3.8	811.2	226.0	3.3	795.7	256.3	2.9	773.5	289.6	2.5	730.4	312.1	2.2	721.2	316.0	2.1
6.0	847.7	200.4	3.8	833.8	227.5	3.4	817.7	257.7	2.9	793.8	290.7	2.6	748.4	312.8	2.3	738.8	316.8	2.2
7.0	871.3	202.1	3.9	856.9	229.0	3.4	840.1	259.2	3.0	814.6	291.8	2.6	766.7	313.4	2.3	754.9	316.1	2.2
8.0	895.3	204.0	4.0	880.5	230.7	3.5	863.0	260.8	3.1	835.8	292.9	2.7	785.5	314.0	2.4	763.0	309.8	2.3
9.0	919.9	206.0	4.1	904.5	232.4	3.6	886.3	262.5	3.1	856.8	293.7	2.7	804.7	314.5	2.4	770.6	303.0	2.4
10.0	944.8	208.1	4.1	928.9	234.3	3.7	910.1	264.2	3.2	877.5	294.4	2.8	821.6	313.5	2.5	777.9	295.8	2.5
11.0	970.3	210.4	4.2	953.8	236.3	3.7	934.4	266.0	3.3	898.6	295.0	2.9	829.7	306.1	2.5	784.7	288.3	2.5
12.0	995.9	212.9	4.3	979.1	238.4	3.8	959.0	267.9	3.3	920.1	295.6	2.9	837.3	298.4	2.6	791.0	280.9	2.6
13.0	1022.2	214.8	4.4	1004.7	240.7	3.9	984.2	270.0	3.4	941.9	296.3	3.0	844.2	290.6	2.7	796.8	273.8	2.7

MODEL: YCIV0267E/V

AIR TEMPERATURE ON - CONDENSER (°C)																		
LCWT (°C)	25.0			30.0			35.0			40.0			45.0			46.0		
	KW	KW	COP	KW	KW	COP	KW	KW	COP	KW	KW	COP	KW	KW	COP	KW	KW	COP
5.0	935.9	218.7	3.9	919.5	251.0	3.4	900.1	287.1	2.9	875.5	328.5	2.5	811.1	349.9	2.2	798.1	353.8	2.1
6.0	962.5	220.1	4.0	945.8	252.0	3.4	925.6	288.1	3.0	898.2	328.8	2.6	831.3	350.3	2.2	817.8	354.3	2.2
7.0	989.5	221.7	4.0	972.5	253.1	3.5	951.7	289.0	3.0	921.3	328.9	2.6	851.9	350.6	2.3	838.0	354.7	2.2
8.0	1017.1	223.6	4.1	999.6	254.5	3.6	978.3	290.1	3.1	944.1	328.9	2.7	872.7	350.9	2.3	858.7	355.0	2.3
9.0	1045.2	225.6	4.2	1027.4	256.0	3.7	1005.4	291.3	3.2	967.3	328.8	2.8	894.2	351.0	2.4	879.6	355.2	2.3
10.0	1073.8	227.9	4.3	1055.6	257.6	3.8	1033.0	292.7	3.3	991.0	328.8	2.8	915.8	351.1	2.4	901.0	355.3	2.4
11.0	1102.8	230.5	4.3	1084.4	259.5	3.8	1061.2	294.2	3.3	1015.0	328.8	2.9	938.0	351.0	2.5	922.6	355.3	2.4
12.0	1132.3	233.4	4.4	1113.6	261.7	3.9	1089.8	295.8	3.4	1039.3	328.8	3.0	960.5	351.0	2.6	944.8	355.3	2.5
13.0	1162.3	236.4	4.5	1143.3	264.0	4.0	1119.1	297.6	3.5	1063.8	328.9	3.0	983.3	351.0	2.6	967.4	355.3	2.6

MODEL: YCIV0287E/V

AIR TEMPERATURE ON - CONDENSER (°C)																		
LCWT (°C)	25.0			30.0			35.0			40.0			45.0			46.0		
	KW	KW	COP	KW	KW	COP	KW	KW	COP	KW	KW	COP	KW	KW	COP	KW	KW	COP
5.0	996.2	229.9	3.9	979.2	265.0	3.4	959.5	304.9	2.9	935.5	351.4	2.5	869.0	371.8	2.2	855.4	375.2	2.1
6.0	1024.5	231.3	4.0	1007.0	265.7	3.5	986.4	305.6	3.0	960.5	351.8	2.6	890.3	371.9	2.2	876.3	375.4	2.2
7.0	1053.4	233.1	4.1	1035.3	266.7	3.6	1013.9	306.1	3.1	984.3	351.2	2.6	912.1	371.7	2.3	897.7	375.4	2.2
8.0	1082.9	235.1	4.2	1064.2	267.8	3.6	1042.0	306.9	3.1	1008.6	350.5	2.7	934.3	371.4	2.4	919.5	375.1	2.3
9.0	1112.9	237.5	4.2	1093.7	269.3	3.7	1070.7	307.8	3.2	1033.1	349.9	2.8	956.7	370.9	2.4	941.8	374.7	2.4
10.0	1143.5	240.2	4.3	1123.7	271.0	3.8	1100.0	309.0	3.3	1058.1	349.1	2.8	979.9	370.3	2.5	964.3	374.3	2.4
11.0	1174.4	243.3	4.4	1154.4	273.0	3.9	1129.9	310.2	3.4	1083.6	348.5	2.9	1003.4	369.7	2.5	987.4	373.6	2.5
12.0	1206.4	246.8	4.4	1185.5	275.4	3.9	1160.4	311.7	3.4	1109.5	347.9	3.0	1027.4	369.0	2.6	1011.0	373.0	2.5
13.0	1238.7	250.7	4.5	1217.3	278.0	4.0	1191.4	313.5	3.5	1135.6	347.4	3.1	1051.7	368.2	2.7	1034.9	372.2	2.6

NOTES:

1. kW_o = Unit kW Cooling Capacity Output
2. kW_i = Compressor kW Input
3. COP = Coefficient of Performance (includes condenser fan power)
4. LCWT = Leaving Chilled Water Temperature
5. Ratings based on 0.15 l/s cooler water per ton, and 0.018 (m² - °C)/kW

MODEL: YCIV0327E/V

AIR TEMPERATURE ON - CONDENSER (°C)																		
LCWT (°C)	25.0			30.0			35.0			40.0			45.0			46.0		
	KW	KW	COP	KW	KW	COP	KW	KW	COP	KW	KW	COP	KW	KW	COP	KW	KW	COP
5.0	1082.7	253.0	3.9	1064.7	290.5	3.4	1044.3	333.1	2.9	1013.0	378.6	2.5	945.2	402.1	2.2	930.6	405.7	2.2
6.0	1113.5	254.7	4.0	1094.7	291.6	3.4	1073.2	334.0	3.0	1038.5	378.7	2.6	967.8	402.2	2.3	953.0	406.0	2.2
7.0	1145.0	256.7	4.0	1125.3	292.9	3.5	1102.8	335.0	3.1	1064.7	378.6	2.6	991.1	402.2	2.3	975.8	406.0	2.3
8.0	1177.1	259.0	4.1	1156.5	294.4	3.6	1133.0	336.2	3.1	1091.4	378.6	2.7	1014.9	401.9	2.4	999.0	405.9	2.3
9.0	1209.8	261.7	4.2	1188.4	296.2	3.7	1164.0	337.5	3.2	1118.6	378.5	2.8	1039.0	401.5	2.4	1022.8	405.6	2.4
10.0	1243.2	264.6	4.3	1221.0	298.3	3.8	1195.5	338.9	3.3	1146.4	378.5	2.8	1063.6	401.0	2.5	1047.0	405.1	2.4
11.0	1277.2	267.9	4.3	1254.2	300.7	3.8	1227.8	340.6	3.3	1174.3	378.4	2.9	1088.5	400.5	2.6	1071.6	404.6	2.5
12.0	1311.9	271.6	4.4	1288.1	303.3	3.9	1260.7	342.5	3.4	1201.8	378.0	3.0	1114.1	399.9	2.6	1085.7	397.3	2.6
13.0	1347.3	275.7	4.5	1322.6	306.1	4.0	1294.1	344.8	3.5	1229.8	377.6	3.0	1139.9	399.3	2.7	1095.0	387.1	2.6

MODEL: YCIV0357E/V

AIR TEMPERATURE ON - CONDENSER (°C)																		
LCWT (°C)	25.0			30.0			35.0			40.0			45.0			46.0		
	KW	KW	COP	KW	KW	COP	KW	KW	COP	KW	KW	COP	KW	KW	COP	KW	KW	COP
5.0	1228.4	292.9	3.8	1206.7	332.0	3.3	1181.0	375.3	2.9	1146.5	424.4	2.5	1083.9	459.7	2.2	1070.4	466.1	2.2
6.0	1263.2	295.5	3.9	1241.1	334.3	3.4	1214.5	377.6	3.0	1177.1	426.0	2.6	1111.7	460.8	2.3	1097.6	467.2	2.2
7.0	1298.8	298.2	4.0	1276.1	336.8	3.5	1248.7	379.9	3.0	1208.5	427.5	2.6	1139.9	462.0	2.3	1125.5	468.4	2.3
8.0	1334.9	301.0	4.0	1311.8	339.4	3.6	1283.4	382.5	3.1	1240.5	429.2	2.7	1168.8	463.1	2.4	1153.8	469.5	2.3
9.0	1371.6	304.2	4.1	1348.0	342.3	3.6	1318.9	385.1	3.2	1273.1	430.8	2.8	1198.3	464.2	2.4	1183.0	470.6	2.4
10.0	1409.1	307.4	4.2	1384.9	345.2	3.7	1355.0	388.0	3.2	1306.1	432.6	2.8	1228.4	465.3	2.5	1205.0	466.7	2.4
11.0	1447.1	310.9	4.2	1422.5	348.3	3.8	1391.8	390.9	3.3	1339.8	434.4	2.9	1258.9	466.5	2.5	1215.9	455.3	2.5
12.0	1485.7	314.6	4.3	1460.6	351.7	3.8	1429.2	394.0	3.4	1372.9	435.7	3.0	1290.1	467.6	2.6	1226.3	443.9	2.6
13.0	1525.2	317.4	4.4	1499.4	355.2	3.9	1467.3	397.2	3.4	1406.5	437.2	3.0	1308.1	460.0	2.7	1236.0	432.9	2.7

NOTES:

1. kW_o = Unit kW Cooling Capacity Output
2. kW_i = Compressor kW Input
3. COP = Coefficient of Performance (includes condenser fan power)
4. LCWT = Leaving Chilled Water Temperature
5. Ratings based on 0.15 l/s cooler water per ton, and 0.018 (m² – °C)/kW

Standard Efficiency Ratings - English - 380V/60Hz

MODEL: YCIV0157S/P **S_IPLV = 13.4** **P_IPLV = 14.7**

AIR TEMPERATURE ON - CONDENSER (°F)																											
LCWT (°F)	75.0			80.0			85.0			90.0			95.0			100.0			105.0			110.0			115.0		
	TONS	KW	EER	TONS	KW	EER	TONS	KW	EER	TONS	KW	EER	TONS	KW	EER	TONS	KW	EER	TONS	KW	EER	TONS	KW	EER	TONS	KW	EER
40.0	149.1	128.9	12.6	148.0	138.9	11.7	146.7	149.6	10.8	145.4	160.8	10.0	143.9	172.5	9.3	142.2	185.6	8.6	138.9	197.9	7.9	133.5	208.0	7.2	127.9	218.6	6.6
42.0	153.7	129.8	12.9	152.5	139.8	11.9	151.2	150.4	11.1	149.8	161.7	10.3	148.2	173.4	9.5	146.5	186.7	8.8	142.7	198.6	8.1	137.0	208.9	7.4	131.3	219.4	6.8
44.0	158.3	130.8	13.2	157.1	140.7	12.2	155.7	151.3	11.3	154.3	162.6	10.5	152.6	174.4	9.8	150.8	187.7	9.0	146.5	199.3	8.3	140.6	209.7	7.6	134.7	220.2	6.9
45.0	160.7	131.3	13.3	159.4	141.2	12.4	158.1	151.8	11.5	156.5	163.1	10.6	154.9	174.8	9.9	153.0	188.2	9.1	148.4	199.6	8.4	142.5	210.1	7.7	136.5	220.5	7.0
46.0	163.1	131.9	13.5	161.8	141.7	12.5	160.4	152.3	11.6	158.8	163.6	10.8	157.1	175.3	10.0	155.2	188.7	9.2	150.4	200.0	8.5	144.3	210.4	7.7	138.3	220.9	7.1
48.0	167.9	133.0	13.8	166.6	142.8	12.8	165.1	153.4	11.9	163.5	164.6	11.0	161.7	176.4	10.2	159.7	189.7	9.4	154.3	200.6	8.6	148.1	211.1	7.9	141.8	221.8	7.2
50.0	172.8	134.3	14.0	171.4	144.0	13.1	169.9	154.5	12.1	168.2	165.6	11.3	166.4	177.4	10.5	164.3	190.8	9.7	158.2	201.3	8.8	151.9	211.8	8.1	145.5	222.5	7.4
52.0	177.8	135.6	14.3	176.4	145.3	13.3	174.8	155.7	12.4	173.1	166.8	11.5	171.2	178.6	10.7	168.6	191.7	9.9	162.2	202.0	9.0	155.8	212.5	8.3	149.2	223.0	7.6
55.0	185.4	137.8	14.7	184.0	147.3	13.7	182.3	157.6	12.8	180.5	168.7	11.9	178.5	180.4	11.0	175.0	192.8	10.2	168.3	203.1	9.3	161.7	213.5	8.5	151.7	214.5	8.0

MODEL: YCIV0177S/P **S_IPLV = 13.3** **P_IPLV = 15.0**

AIR TEMPERATURE ON - CONDENSER (°F)																											
LCWT (°F)	75.0			80.0			85.0			90.0			95.0			100.0			105.0			110.0			115.0		
	TONS	KW	EER	TONS	KW	EER	TONS	KW	EER	TONS	KW	EER	TONS	KW	EER	TONS	KW	EER	TONS	KW	EER	TONS	KW	EER	TONS	KW	EER
40.0	165.7	141.8	12.8	164.2	153.1	11.8	162.4	165.1	10.9	160.5	177.6	10.1	158.4	190.5	9.3	154.6	201.5	8.6	149.9	210.4	8.0	143.5	217.6	7.5	130.1	207.3	7.1
42.0	170.9	142.8	13.1	169.3	154.1	12.1	167.5	166.1	11.2	165.5	178.7	10.3	163.3	191.6	9.6	159.1	202.1	8.9	154.0	211.0	8.2	147.5	218.3	7.6	131.8	203.1	7.3
44.0	176.1	143.9	13.4	174.6	155.2	12.4	172.8	167.2	11.5	170.7	179.8	10.6	168.4	192.9	9.8	163.8	202.6	9.1	158.3	211.5	8.4	151.5	218.9	7.8	133.6	199.1	7.5
45.0	178.8	144.5	13.6	177.2	155.7	12.6	175.4	167.7	11.6	173.3	180.4	10.7	171.0	193.5	9.9	166.1	202.9	9.2	160.5	211.7	8.6	153.5	219.3	7.9	134.5	196.9	7.7
46.0	181.5	145.2	13.7	179.9	156.3	12.7	178.1	168.3	11.8	175.9	180.9	10.9	173.5	193.9	10.0	168.5	203.2	9.3	162.6	211.9	8.7	155.6	219.5	8.0	135.3	194.7	7.8
48.0	186.9	146.5	14.0	185.4	157.6	13.0	183.5	169.5	12.0	181.3	182.1	11.1	178.4	194.4	10.3	173.3	203.7	9.6	167.0	212.3	8.9	159.8	220.0	8.2	137.0	190.4	8.1
50.0	192.4	148.0	14.3	190.8	158.9	13.3	189.0	170.8	12.3	186.7	183.4	11.4	183.4	194.9	10.6	178.2	204.3	9.8	171.5	212.6	9.1	162.8	217.2	8.5	138.3	185.7	8.3
52.0	198.0	149.5	14.6	196.4	160.4	13.6	194.5	172.2	12.6	192.2	184.9	11.6	188.5	195.4	10.8	183.1	204.8	10.1	176.0	213.0	9.3	164.7	212.2	8.8	139.6	181.2	8.6
55.0	206.4	152.1	15.0	204.9	162.8	13.9	202.9	174.5	13.0	200.6	187.0	12.0	196.2	196.4	11.2	190.7	205.7	10.4	182.9	213.5	9.7	167.5	204.9	9.2	141.5	174.7	9.0

MODEL: YCIV0187S/P **S_IPLV = 13.3** **P_IPLV = 15.1**

AIR TEMPERATURE ON - CONDENSER (°F)																											
LCWT (°F)	75.0			80.0			85.0			90.0			95.0			100.0			105.0			110.0			115.0		
	TONS	KW	EER	TONS	KW	EER	TONS	KW	EER	TONS	KW	EER	TONS	KW	EER	TONS	KW	EER	TONS	KW	EER	TONS	KW	EER	TONS	KW	EER
40.0	180.3	153.0	12.9	178.8	164.8	11.9	177.1	177.5	11.0	175.3	190.8	10.2	173.4	204.7	9.5	171.1	220.4	8.7	166.1	231.6	8.1	159.4	240.4	7.5	152.8	248.8	6.9
42.0	185.9	154.3	13.2	184.4	166.1	12.2	182.6	178.6	11.3	180.7	191.9	10.5	178.7	205.9	9.7	176.4	221.7	8.9	170.5	232.1	8.3	163.7	240.9	7.7	156.9	249.4	7.1
44.0	191.7	155.7	13.5	190.0	167.3	12.5	188.2	179.9	11.6	186.3	193.1	10.7	184.2	207.1	9.9	181.7	222.9	9.2	175.1	232.5	8.5	168.0	241.4	7.9	160.9	250.0	7.3
45.0	194.6	156.4	13.6	192.9	168.0	12.6	191.1	180.5	11.7	189.1	193.8	10.9	186.9	207.7	10.1	184.3	223.4	9.3	177.4	232.7	8.6	170.2	241.6	8.0	163.0	250.3	7.4
46.0	197.5	157.2	13.8	195.8	168.7	12.8	193.9	181.2	11.9	191.9	194.4	11.0	189.7	208.4	10.2	186.9	223.7	9.4	179.7	232.9	8.7	172.5	241.8	8.1	165.1	250.5	7.5
48.0	203.5	158.8	14.0	201.7	170.2	13.1	199.8	182.6	12.1	197.6	195.8	11.2	195.3	209.8	10.4	191.9	224.3	9.6	184.5	233.3	8.9	177.0	242.2	8.3	169.5	250.9	7.6
50.0	209.5	160.6	14.3	207.7	171.8	13.3	205.7	184.1	12.4	203.5	197.2	11.5	201.1	211.2	10.7	196.8	224.7	9.8	189.3	233.7	9.1	181.6	242.6	8.5	171.2	244.6	7.9
52.0	215.7	162.4	14.6	213.8	173.6	13.6	211.7	185.7	12.7	209.4	198.8	11.7	206.9	212.7	10.9	201.9	225.2	10.1	194.1	234.1	9.3	186.3	242.9	8.7	172.9	237.9	8.2
55.0	225.2	165.6	15.0	223.2	176.4	14.0	221.0	188.4	13.0	218.6	201.3	12.1	215.9	215.2	11.3	209.6	225.9	10.4	201.5	234.7	9.7	193.4	243.5	9.0	175.7	228.6	8.7

NOTES:

1. kW = Compressor Input Power
2. EER = Chiller EER (includes power from compressors, fans, and control panels 0.8 Kw)
3. LCWT = Leaving Chilled Water Temperature
4. Ratings based on 2.4 GPM cooler water per ton
5. Rated IAW AHRI Standard 550/590
6. Certified IAW the AHRI Water-Chilling Packages Using the Vapor Compression Cycle Certification Program, which is based on AHRI Standard 550/590.

MODEL: YCIV0207S/P **S_IPLV = 13.5** **P_IPLV = 14.9**

AIR TEMPERATURE ON - CONDENSER (°F)																											
LCWT (°F)	75.0			80.0			85.0			90.0			95.0			100.0			105.0			110.0			115.0		
	TONS	KW	EER	TONS	KW	EER	TONS	KW	EER	TONS	KW	EER	TONS	KW	EER	TONS	KW	EER	TONS	KW	EER	TONS	KW	EER	TONS	KW	EER
40.0	194.8	164.9	13.0	192.9	178.5	12.0	190.9	193.4	11.0	188.7	209.2	10.1	186.4	225.7	9.3	181.9	239.3	8.6	176.0	249.7	8.0	168.7	256.4	7.5	149.2	233.3	7.2
42.0	200.9	166.2	13.3	199.0	179.6	12.3	196.8	194.3	11.3	194.6	210.0	10.4	192.1	226.6	9.5	187.1	239.5	8.8	180.7	249.6	8.2	173.2	256.6	7.6	151.0	228.1	7.5
44.0	207.2	167.7	13.6	205.2	180.8	12.6	202.9	195.3	11.6	200.5	210.9	10.6	197.6	226.7	9.8	192.4	239.7	9.1	185.4	249.4	8.4	177.7	256.6	7.8	152.8	222.7	7.7
45.0	210.4	168.6	13.7	208.3	181.5	12.7	206.0	195.8	11.7	203.6	211.4	10.8	200.4	226.8	9.9	195.0	239.8	9.2	187.9	249.2	8.5	180.0	256.5	8.0	153.7	220.0	7.8
46.0	213.6	169.5	13.9	211.5	182.2	12.9	209.1	196.4	11.9	206.6	211.9	10.9	203.2	226.8	10.1	197.8	239.9	9.3	190.3	249.0	8.6	182.0	255.7	8.1	154.6	217.4	8.0
48.0	220.2	171.6	14.2	218.0	183.8	13.1	215.5	197.8	12.1	212.9	213.1	11.2	208.9	227.1	10.4	203.3	240.1	9.6	195.3	248.6	8.9	184.0	249.3	8.4	156.2	212.3	8.2
50.0	226.9	173.9	14.4	224.5	185.8	13.4	222.0	199.4	12.4	219.2	214.5	11.5	214.8	227.4	10.6	208.8	240.1	9.8	200.4	248.2	9.1	186.1	242.8	8.7	157.8	207.3	8.5
52.0	233.7	176.5	14.6	231.3	187.9	13.7	228.6	201.2	12.7	225.7	216.0	11.7	220.7	227.9	10.9	214.2	239.7	10.1	205.5	247.7	9.4	188.1	236.5	9.0	159.3	202.4	8.8
55.0	244.3	181.1	14.9	241.7	191.7	14.0	238.8	204.4	13.1	235.4	218.1	12.1	229.8	228.9	11.3	222.4	239.3	10.5	213.4	247.1	9.8	191.0	227.9	9.4	161.6	195.2	9.2

MODEL: YCIV0227S/P **S_IPLV = 13.2** **P_IPLV = 15.0**

AIR TEMPERATURE ON - CONDENSER (°F)																											
LCWT (°F)	75.0			80.0			85.0			90.0			95.0			100.0			105.0			110.0			115.0		
	TONS	KW	EER	TONS	KW	EER	TONS	KW	EER	TONS	KW	EER	TONS	KW	EER	TONS	KW	EER	TONS	KW	EER	TONS	KW	EER	TONS	KW	EER
40.0	211.3	176.8	13.1	209.4	190.4	12.1	207.3	205.0	11.2	205.1	220.3	10.4	202.7	236.5	9.6	199.9	254.6	8.8	193.1	264.4	8.2	185.3	271.6	7.7	177.5	278.1	7.2
42.0	218.0	178.3	13.4	216.0	191.8	12.4	213.8	206.3	11.5	211.4	221.7	10.6	208.9	237.9	9.8	206.0	256.1	9.1	198.2	264.6	8.5	190.2	271.9	7.9	182.1	278.5	7.4
44.0	224.9	180.0	13.7	222.7	193.4	12.7	220.4	207.8	11.8	218.0	223.2	10.9	215.3	239.3	10.1	211.9	256.9	9.3	203.5	264.7	8.7	195.2	272.0	8.1	186.9	278.8	7.6
45.0	228.3	181.0	13.9	226.2	194.2	12.9	223.8	208.6	11.9	221.3	223.9	11.0	218.5	240.2	10.2	214.7	256.9	9.4	206.2	264.8	8.8	197.7	272.1	8.2	189.3	278.9	7.7
46.0	231.8	182.0	14.0	229.6	195.1	13.0	227.2	209.4	12.1	224.6	224.7	11.2	221.8	240.9	10.3	217.5	257.0	9.5	208.9	264.8	8.9	200.3	272.2	8.3	191.8	279.0	7.8
48.0	238.9	184.1	14.3	236.7	197.0	13.3	234.2	211.1	12.3	231.4	226.4	11.4	228.5	242.5	10.6	223.2	257.1	9.8	214.4	264.9	9.1	205.6	272.2	8.5	195.3	275.8	8.0
50.0	246.2	186.3	14.5	243.8	199.1	13.6	241.2	213.1	12.6	238.4	228.2	11.7	235.3	244.3	10.8	229.0	257.3	10.0	219.9	265.0	9.4	210.9	272.3	8.8	197.2	269.1	8.3
52.0	253.6	188.8	14.8	251.2	201.3	13.8	248.5	215.1	12.9	245.5	230.2	11.9	242.3	246.2	11.1	234.9	257.4	10.3	225.6	265.0	9.6	216.3	272.3	9.0	199.3	262.1	8.6
55.0	264.9	192.8	15.2	262.4	205.0	14.2	259.5	218.6	13.2	256.4	233.4	12.3	253.1	249.2	11.4	243.9	257.8	10.7	234.3	265.1	10.0	224.6	272.3	9.3	202.2	251.2	9.1

MODEL: YCIV0247S/P **S_IPLV = 13.0** **P_IPLV = 15.1**

AIR TEMPERATURE ON - CONDENSER (°F)																											
LCWT (°F)	75.0			80.0			85.0			90.0			95.0			100.0			105.0			110.0			115.0		
	TONS	KW	EER	TONS	KW	EER	TONS	KW	EER	TONS	KW	EER	TONS	KW	EER	TONS	KW	EER	TONS	KW	EER	TONS	KW	EER	TONS	KW	EER
40.0	231.8	194.8	13.0	229.8	209.5	12.1	227.6	225.2	11.2	225.2	241.7	10.4	222.7	259.1	9.6	219.7	278.6	8.9	213.4	291.6	8.3	206.3	302.6	7.7	199.1	313.1	7.2
42.0	239.1	196.6	13.3	236.9	211.3	12.4	234.6	226.9	11.5	232.1	243.4	10.6	229.5	260.8	9.9	226.4	280.4	9.1	219.3	292.4	8.5	211.9	303.4	7.9	204.4	314.0	7.4
44.0	246.5	198.5	13.6	244.3	213.1	12.7	241.9	228.6	11.7	239.2	245.2	10.9	236.4	262.6	10.1	232.9	281.7	9.3	225.3	293.1	8.7	217.6	304.1	8.1	208.9	312.4	7.6
45.0	250.2	199.6	13.8	248.0	214.0	12.8	245.5	229.6	11.9	242.8	246.2	11.0	239.9	263.6	10.2	236.1	282.1	9.4	228.3	293.4	8.8	220.5	304.5	8.2	210.1	309.1	7.7
46.0	254.0	200.7	13.9	251.7	215.0	12.9	249.2	230.5	12.0	246.5	247.1	11.1	243.5	264.5	10.3	239.2	282.4	9.5	231.4	293.7	8.9	223.4	304.8	8.3	211.3	305.6	7.8
48.0	261.7	202.9	14.2	259.4	217.2	13.2	256.7	232.5	12.3	253.9	249.0	11.4	250.8	266.5	10.6	245.7	283.1	9.8	237.6	294.4	9.1	229.4	305.5	8.5	213.6	298.3	8.1
50.0	269.6	205.3	14.5	267.1	219.4	13.5	264.4	234.7	12.5	261.4	251.1	11.6	258.2	268.5	10.8	252.2	283.8	10.0	243.9	295.1	9.3	235.5	306.1	8.7	215.8	290.5	8.4
52.0	277.6	208.0	14.7	275.1	221.8	13.7	272.2	237.0	12.8	269.1	253.3	11.9	265.8	270.7	11.0	258.9	284.6	10.3	250.3	295.8	9.6	241.7	306.7	8.9	217.8	282.3	8.7
55.0	289.9	211.6	15.1	287.2	225.7	14.1	284.2	240.8	13.2	281.0	256.9	12.2	277.4	274.1	11.4	269.0	285.9	10.6	260.2	296.8	9.9	251.2	307.8	9.2	220.5	270.4	9.2

NOTES:

1. kW = Compressor Input Power
2. EER = Chiller EER (includes power from compressors, fans, and control panels 0.8 Kw)
3. LCWT = Leaving Chilled Water Temperature
4. Ratings based on 2.4 GPM cooler water per ton
5. Rated IAW AHRI Standard 550/590
6. Certified IAW the AHRI Water-Chilling Packages Using the Vapor Compression Cycle Certification Program, which is based on AHRI Standard 550/590.

Standard Efficiency Ratings - English - 380V/60Hz

MODEL: YCIV0267S/P **S_IPLV = 12.5** **P_IPLV = 15.2**

AIR TEMPERATURE ON - CONDENSER (°F)																											
LCWT (°F)	75.0			80.0			85.0			90.0			95.0			100.0			105.0			110.0			115.0		
	TONS	KW	EER	TONS	KW	EER	TONS	KW	EER	TONS	KW	EER	TONS	KW	EER	TONS	KW	EER	TONS	KW	EER	TONS	KW	EER	TONS	KW	EER
40.0	252.3	212.7	13.0	250.2	228.4	12.1	247.9	245.3	11.2	245.4	262.9	10.4	242.7	281.5	9.7	239.6	302.4	8.9	233.9	318.6	8.3	227.3	333.2	7.7	220.8	347.6	7.2
42.0	260.2	214.7	13.3	258.0	230.5	12.4	255.6	247.2	11.5	252.9	265.0	10.6	250.1	283.5	9.9	246.8	304.5	9.1	240.4	319.9	8.5	233.6	334.5	7.9	226.8	349.1	7.4
44.0	268.2	216.8	13.6	265.9	232.5	12.6	263.3	249.2	11.7	260.6	267.0	10.9	257.6	285.6	10.1	254.0	306.3	9.3	247.1	321.1	8.7	240.1	335.8	8.1	231.8	347.4	7.6
45.0	272.2	218.0	13.7	269.9	233.6	12.8	267.3	250.4	11.9	264.5	268.1	11.0	261.4	286.7	10.2	257.5	306.9	9.4	250.5	321.7	8.8	243.4	336.4	8.2	233.0	343.2	7.7
46.0	276.3	219.2	13.9	273.9	234.7	12.9	271.3	251.4	12.0	268.4	269.2	11.1	265.3	287.8	10.3	261.0	307.6	9.6	253.9	322.3	8.9	246.7	337.1	8.3	234.2	338.8	7.8
48.0	284.6	221.6	14.1	282.1	237.1	13.2	279.4	253.7	12.2	276.4	271.4	11.4	273.1	290.1	10.6	268.2	308.8	9.8	260.9	323.5	9.1	253.4	338.3	8.5	236.7	330.1	8.1
50.0	293.1	224.1	14.4	290.5	239.6	13.4	287.7	256.1	12.5	284.6	273.7	11.6	281.1	292.4	10.8	275.5	310.1	10.0	267.9	324.9	9.3	260.2	339.6	8.7	239.1	321.4	8.4
52.0	301.7	227.0	14.7	299.1	242.2	13.7	296.1	258.7	12.7	292.9	276.2	11.9	289.3	294.9	11.0	282.9	311.5	10.2	275.1	326.1	9.5	267.2	340.8	8.9	241.5	312.8	8.7
55.0	315.0	230.2	15.1	312.1	246.1	14.1	309.0	262.7	13.1	305.6	280.2	12.2	301.9	298.7	11.4	294.2	313.7	10.6	286.1	328.1	9.9	277.9	342.8	9.2	244.8	300.9	9.1

MODEL: YCIV0287S/P **S_IPLV = 13.2** **P_IPLV = 14.9**

AIR TEMPERATURE ON - CONDENSER (°F)																											
LCWT (°F)	75.0			80.0			85.0			90.0			95.0			100.0			105.0			110.0			115.0		
	TONS	KW	EER	TONS	KW	EER	TONS	KW	EER	TONS	KW	EER	TONS	KW	EER	TONS	KW	EER	TONS	KW	EER	TONS	KW	EER	TONS	KW	EER
40.0	268.2	223.5	13.1	265.7	241.6	12.1	262.9	261.0	11.2	259.9	281.5	10.3	256.7	302.7	9.5	251.3	322.1	8.8	244.3	338.4	8.1	234.1	349.4	7.6	209.5	326.1	7.2
42.0	276.6	225.1	13.4	274.1	243.0	12.4	271.2	262.4	11.5	268.0	282.8	10.6	264.6	304.1	9.7	258.7	323.1	9.0	250.9	338.9	8.3	240.4	350.1	7.8	211.9	318.9	7.5
44.0	285.2	226.9	13.8	282.6	244.6	12.7	279.6	263.8	11.7	276.3	284.2	10.8	272.7	305.5	10.0	266.3	324.0	9.2	257.7	339.3	8.6	246.8	350.7	8.0	214.8	312.5	7.7
45.0	289.6	228.0	13.9	286.9	245.5	12.9	283.9	264.6	11.9	280.6	285.0	11.0	276.7	305.9	10.1	270.2	324.4	9.4	261.2	339.4	8.7	250.0	351.0	8.0	216.1	309.1	7.8
46.0	294.0	229.0	14.1	291.3	246.4	13.0	288.3	265.4	12.0	284.9	285.7	11.1	280.7	306.3	10.3	274.1	324.8	9.5	264.7	339.5	8.8	253.4	351.2	8.2	217.5	305.6	8.0
48.0	303.0	231.4	14.4	300.2	248.5	13.3	297.1	267.2	12.3	293.5	287.4	11.4	288.9	307.1	10.5	282.0	325.7	9.7	271.7	339.6	9.0	258.9	348.7	8.4	220.1	298.7	8.2
50.0	312.1	234.0	14.6	309.3	250.7	13.6	306.0	269.2	12.6	302.4	289.3	11.7	297.2	308.1	10.8	290.1	326.7	10.0	278.9	339.7	9.3	261.9	340.2	8.7	222.4	291.8	8.5
52.0	321.4	236.9	14.9	318.5	253.3	13.9	315.2	271.5	12.9	311.4	291.4	11.9	305.7	309.2	11.1	298.2	327.3	10.2	286.2	339.8	9.5	264.9	332.1	9.0	224.6	284.9	8.8
55.0	335.7	241.8	15.3	332.7	257.6	14.3	329.2	275.3	13.3	325.3	294.8	12.3	318.6	311.0	11.5	310.1	327.8	10.6	297.4	340.0	9.9	269.4	320.5	9.4	227.7	274.9	9.2

MODEL: YCIV0307S/P **S_IPLV = 12.9** **P_IPLV = 14.9**

AIR TEMPERATURE ON - CONDENSER (°F)																											
LCWT (°F)	75.0			80.0			85.0			90.0			95.0			100.0			105.0			110.0			115.0		
	TONS	KW	EER	TONS	KW	EER	TONS	KW	EER	TONS	KW	EER	TONS	KW	EER	TONS	KW	EER	TONS	KW	EER	TONS	KW	EER	TONS	KW	EER
40.0	298.0	246.4	13.2	295.2	266.7	12.2	292.2	288.9	11.2	289.0	312.5	10.3	285.6	337.1	9.5	279.8	359.4	8.8	271.4	376.6	8.1	260.3	386.9	7.6	229.5	351.1	7.4
42.0	307.4	248.3	13.6	304.5	268.2	12.5	301.3	290.1	11.5	297.9	313.6	10.6	294.3	338.2	9.8	287.9	360.2	9.0	278.6	376.5	8.4	267.2	387.2	7.8	232.1	342.9	7.6
44.0	317.0	250.5	13.9	314.0	270.0	12.8	310.6	291.6	11.8	307.1	314.8	10.9	302.9	338.6	10.0	296.2	360.8	9.2	286.0	376.2	8.6	274.2	387.2	8.0	235.1	335.3	7.9
45.0	321.9	251.7	14.0	318.8	270.9	13.0	315.4	292.4	12.0	311.7	315.5	11.0	307.3	338.9	10.2	300.4	361.1	9.4	289.7	375.9	8.7	277.7	387.1	8.1	236.5	331.3	8.0
46.0	326.9	253.1	14.2	323.7	272.0	13.1	320.2	293.2	12.1	316.4	316.3	11.2	311.7	339.2	10.3	304.7	361.4	9.5	293.5	375.7	8.8	280.1	384.3	8.2	237.9	327.3	8.1
48.0	336.9	256.1	14.5	333.6	274.4	13.4	329.9	295.1	12.4	326.0	318.0	11.5	320.6	339.9	10.6	313.4	362.0	9.8	301.2	375.1	9.1	283.2	374.7	8.5	240.7	319.9	8.4
50.0	347.2	259.4	14.7	343.7	277.2	13.7	339.9	297.5	12.7	335.8	320.0	11.7	329.8	340.7	10.9	322.0	362.2	10.0	309.0	374.4	9.3	286.4	365.0	8.8	243.0	312.2	8.7
52.0	357.7	263.2	15.0	354.1	280.3	14.0	350.1	300.1	13.0	345.8	322.2	12.0	339.1	341.8	11.1	330.3	361.6	10.3	317.0	373.8	9.6	289.6	355.6	9.2	245.3	304.8	9.0
55.0	373.9	269.8	15.3	370.0	285.8	14.4	365.8	304.7	13.4	360.8	325.3	12.4	353.5	343.8	11.5	343.0	361.0	10.7	329.2	372.9	10.0	294.2	342.6	9.6	248.8	294.0	9.4

NOTES:

1. kW = Compressor Input Power
2. EER = Chiller EER (includes power from compressors, fans, and control panels 0.8 KW/1)
3. LCWT = Leaving Chilled Water Temperature
4. Ratings based on 2.4 GPM cooler water per ton
5. Rated IAW AHRI Standard 550/590

MODEL: YCIV0357S/P **S_IPLV = 13.7** **P_IPLV = 15.4**

AIR TEMPERATURE ON - CONDENSER (°F)																											
LCWT (°F)	75.0			80.0			85.0			90.0			95.0			100.0			105.0			110.0			115.0		
	TONS	KW	EER	TONS	KW	EER	TONS	KW	EER	TONS	KW	EER	TONS	KW	EER	TONS	KW	EER	TONS	KW	EER	TONS	KW	EER	TONS	KW	EER
40.0	336.3	282.3	13.1	333.4	303.7	12.1	330.1	326.9	11.2	326.6	351.0	10.4	322.9	376.4	9.6	318.6	404.9	8.9	309.3	423.4	8.2	298.3	437.9	7.7	287.4	451.6	7.2
42.0	346.9	284.7	13.4	343.8	306.1	12.4	340.4	329.1	11.5	336.7	353.3	10.6	332.8	378.7	9.8	328.3	407.4	9.1	317.7	424.3	8.4	306.3	438.9	7.9	295.0	452.8	7.4
44.0	357.7	287.5	13.7	354.5	308.7	12.7	350.9	331.5	11.7	347.1	355.8	10.9	342.9	381.2	10.1	338.1	409.8	9.3	326.3	425.1	8.7	314.6	439.7	8.1	302.8	453.8	7.6
45.0	363.2	288.9	13.8	359.9	310.1	12.8	356.3	332.9	11.9	352.3	357.1	11.0	348.1	382.6	10.2	342.7	410.2	9.4	330.7	425.4	8.8	318.7	440.1	8.2	304.8	449.8	7.7
46.0	368.8	290.5	13.9	365.4	311.4	13.0	361.7	334.2	12.0	357.6	358.4	11.1	353.3	383.9	10.3	347.2	410.5	9.5	335.1	425.8	8.9	322.9	440.5	8.3	306.7	445.3	7.8
48.0	380.1	293.7	14.2	376.6	314.5	13.2	372.7	337.0	12.3	368.5	361.1	11.4	363.9	386.6	10.6	356.5	411.3	9.8	344.0	426.5	9.1	331.5	441.3	8.5	310.2	435.5	8.1
50.0	391.6	297.1	14.5	387.9	317.7	13.5	383.9	340.0	12.6	379.5	364.0	11.7	374.8	389.5	10.8	366.0	412.1	10.0	353.1	427.2	9.3	340.2	441.9	8.7	313.5	424.6	8.3
52.0	403.4	300.9	14.8	399.6	321.1	13.8	395.4	343.3	12.8	390.8	367.0	11.9	385.9	392.4	11.0	375.7	412.9	10.3	362.4	427.9	9.6	349.2	442.5	8.9	316.5	412.9	8.6
55.0	421.3	306.4	15.2	417.2	326.8	14.2	412.9	348.5	13.2	408.1	372.3	12.3	402.9	397.4	11.4	390.4	414.3	10.6	376.6	429.0	9.9	362.8	443.6	9.3	320.4	394.8	9.1

MODEL: YCIV0397S/P **S_IPLV = 13.4** **P_IPLV = 15.5**

AIR TEMPERATURE ON - CONDENSER (°F)																											
LCWT (°F)	75.0			80.0			85.0			90.0			95.0			100.0			105.0			110.0			115.0		
	TONS	KW	EER	TONS	KW	EER	TONS	KW	EER	TONS	KW	EER	TONS	KW	EER	TONS	KW	EER	TONS	KW	EER	TONS	KW	EER	TONS	KW	EER
40.0	377.3	318.0	13.0	374.2	341.7	12.1	370.7	366.9	11.2	366.9	393.4	10.4	362.9	421.2	9.6	358.2	452.5	8.9	350.0	477.2	8.3	340.3	499.0	7.7	330.6	520.6	7.2
42.0	389.1	320.9	13.3	385.8	344.5	12.4	382.2	369.8	11.5	378.2	396.4	10.6	374.0	424.1	9.9	369.0	455.5	9.1	359.8	479.0	8.5	349.7	501.0	7.9	339.5	522.9	7.4
44.0	401.2	324.1	13.6	397.8	347.7	12.6	394.0	372.7	11.7	389.8	399.4	10.9	385.3	427.3	10.1	380.1	458.7	9.3	369.8	481.0	8.7	359.3	502.9	8.1	348.7	524.9	7.5
45.0	407.4	325.7	13.7	403.8	349.3	12.8	399.9	374.5	11.9	395.7	400.9	11.0	391.0	428.9	10.2	385.4	459.7	9.4	374.9	481.9	8.8	364.2	503.9	8.2	350.8	519.5	7.7
46.0	413.5	327.6	13.9	410.0	350.9	12.9	406.0	376.1	12.0	401.6	402.7	11.1	396.9	430.5	10.3	390.7	460.7	9.5	380.0	482.8	8.9	369.2	504.8	8.3	352.7	513.1	7.8
48.0	426.1	331.2	14.1	422.4	354.4	13.2	418.2	379.4	12.3	413.7	406.0	11.4	408.7	434.0	10.6	401.5	462.6	9.8	390.5	484.6	9.1	379.2	506.8	8.5	356.3	500.1	8.1
50.0	439.0	335.0	14.4	435.1	358.2	13.4	430.8	382.9	12.5	426.0	409.4	11.6	420.9	437.5	10.8	412.6	464.5	10.0	401.1	486.6	9.3	389.5	508.7	8.7	360.0	487.0	8.4
52.0	452.0	339.1	14.7	448.0	362.0	13.7	443.5	386.8	12.8	438.6	413.1	11.9	433.2	441.1	11.0	423.8	466.5	10.2	411.9	488.5	9.5	400.0	510.5	8.9	363.7	474.1	8.7
55.0	471.7	343.8	15.1	467.3	368.2	14.1	462.8	392.7	13.1	457.8	419.1	12.2	452.3	446.8	11.4	441.0	469.8	10.6	428.7	491.5	9.9	416.1	513.5	9.2	368.8	455.8	9.1

MODEL: YCIV0457P **S_IPLV=** **V_IPLV=**

AIR TEMPERATURE ON - CONDENSER (°F)																											
LCWT (°F)	75.0			80.0			85.0			90.0			95.0			100.0			105.0			110.0			115.0		
	TONS	KW	EER	TONS	KW	EER	TONS	KW	EER	TONS	KW	EER	TONS	KW	EER	TONS	KW	EER	TONS	KW	EER	TONS	KW	EER	TONS	KW	EER
40.0	429.5	360.2	12.6	426.1	388.1	11.7	422.1	418.9	10.8	417.6	451.3	10.0	412.8	485.4	9.3	404.4	515.8	8.6	393.6	542.7	8.0	391.5	578.9	7.5	383.6	605.3	7.0
42.0	443.0	363.2	12.9	439.5	391.0	12.0	435.3	421.5	11.1	430.7	454.0	10.3	425.7	488.2	9.5	416.1	517.7	8.8	404.9	544.3	8.2	402.3	580.3	7.7	394.1	607.1	7.2
44.0	456.8	366.5	13.2	453.2	394.0	12.3	448.9	424.4	11.4	444.1	456.8	10.5	438.8	491.1	9.8	428.0	519.1	9.0	416.5	545.8	8.4	413.4	581.5	7.9	404.8	608.7	7.4
45.0	463.8	368.5	13.3	460.1	395.6	12.4	455.8	425.9	11.5	450.9	458.2	10.7	445.5	492.6	9.9	434.1	519.9	9.2	422.3	547.1	8.5	419.1	582.1	8.0	410.3	609.4	7.5
46.0	470.9	370.3	13.5	467.1	397.3	12.6	462.7	427.5	11.7	457.7	459.8	10.8	452.0	493.7	10.0	440.2	520.7	9.3	428.2	547.8	8.6	424.8	582.7	8.1	415.8	610.1	7.6
48.0	485.2	374.1	13.8	481.4	400.9	12.9	476.8	430.8	11.9	471.7	463.0	11.1	464.8	495.3	10.3	452.6	522.2	9.5	440.3	549.4	8.8	436.2	584.1	8.3	427.0	611.3	7.8
50.0	499.6	378.0	14.1	495.6	404.9	13.1	491.1	434.3	12.2	485.9	466.4	11.3	477.8	497.0	10.5	465.3	523.8	9.8	452.6	550.9	9.1	448.0	585.1	8.5	438.5	612.5	8.0
52.0	514.2	382.4	14.3	510.1	409.0	13.4	505.4	438.3	12.5	500.1	469.9	11.6	490.8	498.8	10.8	478.1	525.5	10.0	465.1	552.6	9.3	460.0	586.1	8.7	450.0	613.9	8.2
55.0	536.6	389.5	14.7	532.4	415.6	13.8	527.4	444.5	12.8	521.9	475.8	11.9	510.6	501.7	11.1	497.4	528.1	10.4	484.0	555.0	9.6	478.1	587.6	9.0	467.8	615.3	8.5

NOTES:

1. kW = Compressor Input Power
2. EER = Chiller EER (includes power from compressors, fans, and control panels 0.8 KW)
3. LCWT = Leaving Chilled Water Temperature
4. Ratings based on 2.4 GPM cooler water per ton
5. Rated IAW AHRI Standard 550/590

High Efficiency Ratings - English - 380V/60Hz

FORM 201.23-EG1 (1013)

MODEL: YCIV0157E/V **E_IPLV = 13.8** **V_IPLV = 14.9**

AIR TEMPERATURE ON - CONDENSER (°F)																											
LCWT (°F)	75.0			80.0			85.0			90.0			95.0			100.0			105.0			110.0			115.0		
	TONS	KW	EER	TONS	KW	EER	TONS	KW	EER	TONS	KW	EER	TONS	KW	EER	TONS	KW	EER	TONS	KW	EER	TONS	KW	EER	TONS	KW	EER
40.0	148.1	119.3	13.4	146.8	127.9	12.5	145.2	136.8	11.6	143.4	146.1	10.8	141.4	155.8	10.0	139.1	166.7	9.3	136.1	177.9	8.5	130.1	186.8	7.8	124.0	196.1	7.1
42.0	152.7	120.3	13.7	151.5	129.0	12.8	149.9	138.0	11.9	148.1	147.3	11.1	146.1	157.0	10.3	143.7	168.0	9.5	140.1	178.8	8.7	133.9	187.6	8.0	127.6	196.9	7.3
44.0	157.4	121.4	14.0	156.2	130.1	13.1	154.7	139.2	12.2	152.8	148.6	11.3	150.8	158.3	10.5	148.3	169.3	9.7	144.2	179.8	9.0	137.7	188.7	8.2	131.3	197.7	7.5
45.0	159.8	122.0	14.2	158.6	130.7	13.2	157.1	139.8	12.3	155.2	149.2	11.5	153.2	159.0	10.7	150.7	170.0	9.9	146.3	180.3	9.1	139.7	189.1	8.3	133.2	198.1	7.6
46.0	162.2	122.6	14.3	161.0	131.3	13.4	159.5	140.4	12.4	157.7	149.8	11.6	155.6	159.7	10.8	153.0	170.7	10.0	148.3	180.8	9.2	141.7	189.6	8.4	135.1	198.6	7.6
48.0	167.0	123.7	14.6	165.9	132.5	13.6	164.4	141.7	12.7	162.6	151.2	11.9	160.4	161.0	11.0	157.9	172.1	10.2	152.5	181.8	9.4	145.7	190.6	8.6	138.9	199.6	7.8
50.0	171.9	124.8	14.9	170.8	133.7	13.9	169.3	143.0	13.0	167.5	152.5	12.1	165.4	162.5	11.3	162.7	173.6	10.4	156.7	182.8	9.6	149.8	191.6	8.8	142.7	200.6	8.0
52.0	176.8	125.9	15.2	175.8	134.9	14.2	174.4	144.3	13.3	172.6	153.9	12.4	170.4	163.9	11.5	167.7	175.1	10.7	161.0	183.8	9.8	153.9	192.6	9.0	146.7	201.5	8.2
55.0	184.4	127.6	15.7	183.5	136.8	14.7	182.1	146.3	13.7	180.3	156.0	12.8	178.1	166.1	11.9	174.8	177.0	11.0	167.5	185.5	10.1	160.2	194.1	9.3	152.8	203.1	8.5

MODEL: YCIV0177E/V **E_IPLV = 13.7** **V_IPLV = 14.9**

AIR TEMPERATURE ON - CONDENSER (°F)																											
LCWT (°F)	75.0			80.0			85.0			90.0			95.0			100.0			105.0			110.0			115.0		
	TONS	KW	EER	TONS	KW	EER	TONS	KW	EER	TONS	KW	EER	TONS	KW	EER	TONS	KW	EER	TONS	KW	EER	TONS	KW	EER	TONS	KW	EER
40.0	157.1	128.7	13.3	156.3	134.6	12.5	155.0	144.6	11.6	153.5	155.4	10.8	151.9	166.7	10.0	150.0	179.5	9.3	147.0	191.8	8.5	142.2	203.1	7.8	136.2	213.6	7.1
42.0	162.5	126.2	13.8	161.3	135.5	12.8	159.9	145.6	11.9	158.3	156.2	11.1	156.6	167.5	10.3	154.7	180.4	9.5	151.2	192.5	8.7	146.1	203.7	8.0	139.9	214.2	7.3
44.0	167.6	127.3	14.1	166.3	136.5	13.2	164.8	146.6	12.2	163.2	157.2	11.4	161.5	168.4	10.6	159.4	181.3	9.7	155.6	193.3	9.0	150.1	204.3	8.2	143.6	214.9	7.5
45.0	170.2	127.9	14.3	168.9	137.1	13.3	167.4	147.1	12.4	165.7	157.7	11.5	163.9	168.9	10.7	161.8	181.8	9.9	157.8	193.6	9.1	152.1	204.6	8.3	145.5	215.2	7.6
46.0	172.8	128.6	14.4	171.4	137.7	13.5	169.9	147.6	12.5	168.2	158.2	11.7	166.4	169.4	10.8	164.3	182.2	10.0	160.0	194.0	9.2	154.1	204.9	8.4	147.5	215.5	7.7
48.0	178.0	129.9	14.7	176.7	138.9	13.8	175.1	148.7	12.8	173.4	159.2	11.9	171.5	170.5	11.1	169.1	183.2	10.2	164.6	194.8	9.4	158.3	205.5	8.6	151.4	216.1	7.9
50.0	183.4	131.4	15.0	182.0	140.3	14.1	180.4	150.0	13.1	178.6	160.4	12.2	176.6	171.6	11.4	173.9	184.0	10.5	169.2	195.6	9.6	162.5	206.1	8.8	154.4	213.8	8.1
52.0	188.9	133.0	15.3	187.5	141.7	14.3	185.8	151.3	13.4	183.9	161.7	12.5	181.9	172.8	11.6	178.7	184.9	10.7	173.9	196.4	9.9	166.8	206.7	9.0	156.2	208.5	8.4
55.0	197.4	135.6	15.7	195.8	144.1	14.8	194.1	153.5	13.8	192.2	163.7	12.9	190.0	174.7	12.0	186.2	186.4	11.1	180.8	197.5	10.2	173.3	207.7	9.3	158.8	200.7	8.8

MODEL: YCIV0187E/V **E_IPLV = 13.5** **V_IPLV = 15.3**

AIR TEMPERATURE ON - CONDENSER (°F)																											
LCWT (°F)	75.0			80.0			85.0			90.0			95.0			100.0			105.0			110.0			115.0		
	TONS	KW	EER	TONS	KW	EER	TONS	KW	EER	TONS	KW	EER	TONS	KW	EER	TONS	KW	EER	TONS	KW	EER	TONS	KW	EER	TONS	KW	EER
40.0	174.7	142.1	13.3	173.7	149.6	12.5	172.2	161.3	11.6	170.5	173.7	10.7	168.7	186.7	9.9	166.5	201.2	9.2	163.0	213.5	8.5	158.0	223.0	7.9	151.4	231.0	7.3
42.0	180.2	143.2	13.7	179.2	150.5	12.9	177.7	162.1	11.9	175.9	174.5	11.0	174.0	187.5	10.2	171.7	202.1	9.4	167.8	213.9	8.7	162.4	223.4	8.1	155.6	231.5	7.5
44.0	185.8	144.5	14.0	184.8	151.6	13.2	183.2	163.0	12.2	181.4	175.3	11.3	179.4	188.3	10.5	177.0	203.0	9.7	172.7	214.3	9.0	166.9	223.7	8.3	159.9	231.9	7.7
45.0	189.0	141.6	14.3	187.6	152.1	13.3	186.0	163.6	12.4	184.2	175.8	11.5	182.1	188.8	10.6	179.7	203.5	9.8	175.2	214.5	9.1	169.2	223.8	8.4	162.1	232.1	7.8
46.0	191.8	142.3	14.5	190.4	152.7	13.5	188.8	164.1	12.5	187.0	176.3	11.6	184.9	189.2	10.8	182.5	204.0	9.9	177.7	214.6	9.2	171.5	223.9	8.5	164.3	232.3	7.9
48.0	197.5	143.8	14.8	196.2	154.0	13.8	194.5	165.2	12.8	192.6	177.3	11.9	190.5	190.3	11.0	188.0	204.9	10.2	182.8	215.0	9.5	176.2	224.2	8.8	168.7	232.5	8.1
50.0	203.4	145.3	15.1	202.0	155.4	14.1	200.3	166.4	13.1	198.4	178.4	12.2	196.2	191.3	11.3	193.3	205.3	10.4	188.0	215.3	9.7	181.0	224.4	9.0	173.3	232.8	8.3
52.0	209.3	147.0	15.3	207.9	156.9	14.4	206.2	167.8	13.4	204.2	179.7	12.5	202.0	192.4	11.6	198.6	205.8	10.7	193.2	215.7	10.0	185.8	224.5	9.2	177.4	231.9	8.6
55.0	218.4	149.9	15.7	217.0	159.4	14.8	215.3	170.1	13.8	213.2	181.8	12.9	210.9	194.4	12.0	206.8	206.5	11.1	201.2	216.3	10.4	193.2	224.8	9.6	180.3	223.0	9.0

NOTES:

1. KW = Compressor Input Power
2. EER = Chiller EER (includes power from compressors, fans, and control panels 0.8 KW)
3. LCWT = Leaving Chilled Water Temperature
4. Ratings based on 2.4 GPM cooler water per ton
5. Rated IAW AHRI Standard 550/590

MODEL: YCIV0197E/V **E_IPLV = 13.1** **V_IPLV = 15.2**

AIR TEMPERATURE ON - CONDENSER (°F)																											
LCWT (°F)	75.0			80.0			85.0			90.0			95.0			100.0			105.0			110.0			115.0		
	TONS	KW	EER	TONS	KW	EER	TONS	KW	EER	TONS	KW	EER	TONS	KW	EER	TONS	KW	EER	TONS	KW	EER	TONS	KW	EER	TONS	KW	EER
40.0	189.8	150.0	13.7	188.2	162.3	12.6	186.4	175.9	11.6	184.5	190.5	10.7	182.5	206.0	9.8	180.1	223.2	9.0	176.4	238.4	8.3	169.4	245.7	7.7	162.4	252.2	7.2
42.0	195.8	151.2	14.0	194.1	163.1	12.9	192.2	176.4	11.9	190.3	190.9	11.0	188.1	206.3	10.1	185.6	223.8	9.3	181.3	238.0	8.5	174.0	245.6	8.0	166.7	252.4	7.4
44.0	201.9	152.7	14.3	200.1	164.2	13.3	198.2	177.1	12.3	196.1	191.4	11.3	193.9	206.8	10.4	191.3	224.3	9.5	186.2	237.5	8.8	178.7	245.3	8.2	171.2	252.3	7.6
45.0	205.0	153.5	14.4	203.2	164.8	13.4	201.3	177.6	12.4	199.1	191.8	11.5	196.8	207.0	10.6	194.2	224.6	9.7	188.7	237.3	8.9	181.1	245.1	8.3	173.5	252.2	7.7
46.0	208.1	154.4	14.6	206.3	165.5	13.6	204.3	178.1	12.6	202.2	192.1	11.6	199.8	207.3	10.7	197.1	224.8	9.8	191.2	237.0	9.0	183.6	244.9	8.4	175.8	252.1	7.8
48.0	214.5	156.4	14.9	212.6	167.0	13.9	210.6	179.3	12.9	208.3	193.0	11.9	205.8	208.0	11.0	203.0	225.4	10.1	196.4	236.4	9.3	188.5	244.4	8.7	180.5	251.8	8.1
50.0	221.0	158.8	15.1	219.1	168.8	14.2	216.9	180.6	13.2	214.5	194.2	12.2	212.0	208.9	11.3	209.0	226.2	10.3	201.6	235.8	9.6	193.5	243.8	8.9	185.3	251.3	8.3
52.0	227.7	161.5	15.3	225.7	171.0	14.4	223.4	182.4	13.5	221.0	195.4	12.5	218.3	209.9	11.6	215.2	227.1	10.6	206.9	235.3	9.8	198.5	243.3	9.2	190.2	250.8	8.5
55.0	237.9	166.2	15.6	235.8	174.7	14.8	233.4	185.3	13.9	230.8	197.8	12.9	228.0	211.8	12.0	223.7	226.6	11.0	214.9	234.6	10.3	206.3	242.4	9.5	197.7	249.9	8.9

MODEL: YCIV0207E/V **E_IPLV = 13.6** **V_IPLV = 15.2**

AIR TEMPERATURE ON - CONDENSER (°F)																											
LCWT (°F)	75.0			80.0			85.0			90.0			95.0			100.0			105.0			110.0			115.0		
	TONS	KW	EER	TONS	KW	EER	TONS	KW	EER	TONS	KW	EER	TONS	KW	EER	TONS	KW	EER	TONS	KW	EER	TONS	KW	EER	TONS	KW	EER
40.0	201.7	158.0	13.7	200.1	170.5	12.7	198.3	184.2	11.7	196.4	199.0	10.8	194.4	214.7	10.0	192.0	232.3	9.2	188.3	247.5	8.5	182.0	257.3	7.9	174.6	264.2	7.4
42.0	208.1	159.3	14.0	206.4	171.5	13.0	204.5	184.9	12.1	202.5	199.6	11.1	200.4	215.2	10.3	197.9	233.0	9.4	193.7	247.7	8.7	186.9	257.3	8.1	179.3	264.4	7.6
44.0	214.6	160.8	14.4	212.8	172.7	13.4	210.9	185.9	12.4	208.8	200.3	11.4	206.5	215.9	10.6	203.9	233.7	9.7	199.2	247.9	9.0	191.9	257.1	8.4	184.1	264.4	7.8
45.0	217.9	161.7	14.5	216.1	173.3	13.5	214.1	186.4	12.5	211.9	200.7	11.6	209.6	216.2	10.7	206.9	234.0	9.8	202.0	248.0	9.1	194.5	256.9	8.5	186.6	264.4	7.9
46.0	221.3	162.6	14.7	219.4	174.1	13.7	217.4	187.0	12.7	215.1	201.3	11.7	212.8	216.6	10.9	210.0	234.4	10.0	204.8	248.1	9.2	197.1	256.7	8.6	189.0	264.3	8.0
48.0	228.1	164.7	14.9	226.1	175.7	14.0	224.0	188.3	13.0	221.7	202.3	12.0	219.2	217.6	11.1	216.2	235.0	10.2	210.6	248.2	9.5	202.3	256.4	8.8	194.0	264.0	8.2
50.0	235.0	167.0	15.2	233.0	177.7	14.3	230.8	189.9	13.3	228.4	203.6	12.3	225.8	218.6	11.4	222.3	235.2	10.5	216.2	247.7	9.7	207.7	255.9	9.1	199.1	263.6	8.5
52.0	242.1	169.6	15.4	240.0	179.8	14.5	237.7	191.7	13.6	235.2	205.0	12.6	232.5	219.8	11.7	228.5	235.5	10.8	221.8	247.3	10.0	213.1	255.5	9.3	203.0	260.4	8.7
55.0	252.7	174.0	15.8	250.6	183.4	14.9	248.2	194.7	14.0	245.6	207.6	13.0	242.7	222.0	12.1	238.0	236.2	11.2	230.5	246.9	10.4	221.4	254.8	9.7	206.3	249.7	9.2

MODEL: YCIV0227E/V **E_IPLV = 13.3** **V_IPLV = 15.3**

AIR TEMPERATURE ON - CONDENSER (°F)																											
LCWT (°F)	75.0			80.0			85.0			90.0			95.0			100.0			105.0			110.0			115.0		
	TONS	KW	EER	TONS	KW	EER	TONS	KW	EER	TONS	KW	EER	TONS	KW	EER	TONS	KW	EER	TONS	KW	EER	TONS	KW	EER	TONS	KW	EER
40.0	209.5	163.7	13.7	207.9	176.2	12.7	206.1	189.6	11.8	204.2	203.9	10.9	202.1	219.1	10.1	199.8	236.1	9.4	197.2	254.0	8.6	190.9	264.3	8.1	183.3	271.6	7.5
42.0	216.1	165.1	14.0	214.5	177.4	13.0	212.6	190.7	12.1	210.6	204.9	11.2	208.4	220.0	10.4	205.9	237.1	9.6	203.2	255.1	8.9	196.1	264.5	8.3	188.3	271.8	7.7
44.0	222.9	166.7	14.3	221.2	178.7	13.3	219.2	191.9	12.4	217.1	206.0	11.5	214.9	221.0	10.7	212.2	238.3	9.9	209.4	256.2	9.1	201.5	264.5	8.5	193.4	271.9	7.9
45.0	226.4	167.6	14.5	224.6	179.4	13.5	222.6	192.5	12.6	220.4	206.6	11.7	218.1	221.6	10.8	215.4	238.8	10.0	212.4	256.5	9.2	204.2	264.5	8.6	196.0	271.9	8.1
46.0	229.8	168.5	14.6	228.0	180.3	13.7	226.0	193.2	12.7	223.8	207.2	11.8	221.4	222.2	11.0	218.6	239.4	10.1	215.2	256.5	9.3	206.9	264.4	8.7	198.6	271.9	8.2
48.0	236.9	170.4	14.9	235.0	181.9	14.0	232.9	194.7	13.0	230.6	208.5	12.1	228.1	223.4	11.2	225.2	240.6	10.4	221.0	256.5	9.6	212.5	264.4	9.0	203.9	271.9	8.4
50.0	244.0	172.5	15.2	242.1	183.7	14.2	239.9	196.3	13.3	237.6	210.0	12.4	235.0	224.8	11.5	232.0	241.9	10.6	226.9	256.4	9.8	218.1	264.3	9.2	209.3	271.8	8.6
52.0	251.1	174.8	15.5	249.2	185.7	14.5	247.0	198.0	13.6	244.6	211.6	12.7	242.0	226.2	11.8	238.9	243.2	10.9	232.9	256.4	10.1	223.9	264.3	9.4	214.8	271.7	8.8
55.0	262.1	178.5	15.8	260.1	189.1	14.9	257.8	201.0	14.0	255.3	214.2	13.1	252.5	228.6	12.2	249.2	245.5	11.3	242.1	256.6	10.5	232.7	264.2	9.8	223.2	271.5	9.2

NOTES:

1. kW = Compressor Input Power
2. EER = Chiller EER (includes power from compressors, fans, and control panels 0.8 Kw)
3. LCWT = Leaving Chilled Water Temperature
4. Ratings based on 2.4 GPM cooler water per ton
5. Rated IAW AHRI Standard 550/590

High Efficiency Ratings - English - 380V/60Hz

FORM 201.23-EG1 (1013)

MODEL: YCIV0247E/V **E_IPLV = 13.0** **V_IPLV = 15.2**

AIR TEMPERATURE ON - CONDENSER (°F)																											
LCWT (°F)	75.0			80.0			85.0			90.0			95.0			100.0			105.0			110.0			115.0		
	TONS	KW	EER	TONS	KW	EER	TONS	KW	EER	TONS	KW	EER	TONS	KW	EER	TONS	KW	EER	TONS	KW	EER	TONS	KW	EER	TONS	KW	EER
40.0	232.7	188.7	13.4	230.8	202.8	12.4	228.7	217.8	11.5	226.4	233.8	10.7	223.9	250.7	9.9	221.1	269.7	9.2	216.9	286.7	8.5	210.2	299.0	7.9	202.9	309.9	7.4
42.0	240.0	190.5	13.7	238.0	204.4	12.7	235.8	219.4	11.8	233.4	235.4	11.0	230.8	252.2	10.2	227.9	271.2	9.4	223.2	287.9	8.7	216.0	299.7	8.1	208.5	310.7	7.6
44.0	247.4	192.4	14.0	245.4	206.2	13.0	243.1	221.0	12.1	240.6	237.0	11.2	237.9	253.8	10.4	234.7	272.7	9.6	229.7	289.0	8.9	221.9	300.3	8.3	213.0	308.9	7.8
45.0	251.2	193.5	14.1	249.1	207.1	13.2	246.8	222.0	12.2	244.2	237.9	11.4	241.4	254.7	10.5	238.1	273.3	9.7	232.8	289.3	9.0	225.0	300.6	8.4	214.3	305.5	7.9
46.0	255.1	194.5	14.3	252.9	208.1	13.3	250.5	222.9	12.4	247.9	238.7	11.5	245.1	255.5	10.7	241.5	274.0	9.9	236.0	289.6	9.1	228.0	301.0	8.5	215.6	302.0	8.0
48.0	262.8	196.7	14.5	260.6	210.2	13.6	258.1	224.8	12.6	255.4	240.5	11.8	252.4	257.3	10.9	248.4	275.2	10.1	242.4	290.2	9.4	234.2	301.6	8.7	218.0	294.5	8.3
50.0	270.8	199.2	14.8	268.5	212.4	13.9	265.9	226.9	12.9	263.1	242.5	12.0	260.0	259.2	11.2	255.5	276.5	10.3	248.9	290.9	9.6	240.5	302.2	9.0	220.2	286.6	8.6
52.0	278.9	201.8	15.1	276.5	214.8	14.1	273.8	229.1	13.2	270.9	244.6	12.3	267.7	261.2	11.4	262.8	277.9	10.6	255.5	291.5	9.8	246.9	302.8	9.2	222.2	278.4	8.9
55.0	291.2	205.5	15.5	288.7	218.6	14.5	285.9	232.8	13.6	282.8	248.1	12.7	279.5	264.4	11.8	273.9	280.3	10.9	265.7	292.6	10.2	256.7	303.7	9.5	225.0	266.8	9.4

MODEL: YCIV0267E/V **E_IPLV = 13.5** **V_IPLV = 15.2**

AIR TEMPERATURE ON - CONDENSER (°F)																											
LCWT (°F)	75.0			80.0			85.0			90.0			95.0			100.0			105.0			110.0			115.0		
	TONS	KW	EER	TONS	KW	EER	TONS	KW	EER	TONS	KW	EER	TONS	KW	EER	TONS	KW	EER	TONS	KW	EER	TONS	KW	EER	TONS	KW	EER
40.0	264.2	207.4	13.7	261.9	224.0	12.7	259.3	242.0	11.7	256.4	261.1	10.8	253.3	281.0	10.0	249.7	303.5	9.2	244.9	324.5	8.4	234.7	336.1	7.8	224.5	346.9	7.3
42.0	272.6	209.1	14.1	270.3	225.3	13.0	267.6	243.0	12.0	264.6	262.0	11.1	261.3	282.1	10.3	257.6	304.7	9.4	251.8	324.8	8.7	241.3	336.5	8.0	230.7	347.6	7.5
44.0	281.2	210.9	14.4	278.8	226.8	13.4	276.0	244.2	12.4	272.9	263.1	11.4	269.5	283.1	10.5	265.6	305.9	9.7	258.9	324.8	8.9	247.9	336.7	8.3	237.1	348.0	7.7
45.0	285.5	211.9	14.6	283.1	227.6	13.5	280.3	244.9	12.5	277.2	263.7	11.6	273.7	283.7	10.7	269.7	306.5	9.8	262.4	324.8	9.0	251.3	336.8	8.4	240.3	348.2	7.8
46.0	289.9	213.1	14.7	287.4	228.5	13.7	284.6	245.7	12.7	281.4	264.4	11.7	277.9	284.3	10.8	273.8	307.1	9.9	266.0	324.8	9.2	254.7	336.9	8.5	243.5	348.4	7.9
48.0	298.8	215.5	15.0	296.3	230.5	14.0	293.4	247.4	13.0	290.1	265.8	12.0	286.5	285.6	11.1	282.2	308.4	10.2	273.3	324.8	9.4	261.7	337.0	8.7	250.2	348.5	8.1
50.0	307.8	218.3	15.3	305.3	232.8	14.3	302.3	249.3	13.3	299.0	267.6	12.3	295.2	287.1	11.4	290.8	309.8	10.5	280.7	324.7	9.7	268.8	336.9	8.9	256.9	348.7	8.3
52.0	317.0	221.3	15.5	314.5	235.4	14.6	311.5	251.5	13.6	308.0	269.4	12.6	304.2	288.8	11.7	299.6	311.4	10.7	288.2	324.7	9.9	276.0	336.9	9.2	263.8	348.7	8.5
55.0	331.1	226.5	15.9	328.5	239.9	15.0	325.4	255.3	14.0	321.9	272.6	13.0	317.9	291.6	12.1	312.4	312.6	11.2	299.8	324.7	10.3	287.1	336.8	9.6	274.4	348.6	8.8

MODEL: YCIV0287E/V **E_IPLV = 13.2** **V_IPLV = 15.1**

AIR TEMPERATURE ON - CONDENSER (°F)																											
LCWT (°F)	75.0			80.0			85.0			90.0			95.0			100.0			105.0			110.0			115.0		
	TONS	KW	EER	TONS	KW	EER	TONS	KW	EER	TONS	KW	EER	TONS	KW	EER	TONS	KW	EER	TONS	KW	EER	TONS	KW	EER	TONS	KW	EER
40.0	281.2	217.9	13.9	278.8	235.8	12.8	276.1	255.4	11.8	273.1	276.5	10.9	270.0	298.6	10.0	266.3	323.6	9.2	261.8	347.8	8.4	251.2	358.5	7.9	240.7	367.9	7.3
42.0	290.1	219.7	14.2	287.6	236.9	13.2	284.8	256.2	12.1	281.7	277.1	11.2	278.4	299.3	10.3	274.6	324.3	9.4	269.1	347.3	8.7	258.1	358.4	8.1	247.2	368.2	7.5
44.0	299.3	221.7	14.5	296.7	238.4	13.5	293.8	257.2	12.5	290.5	277.8	11.5	287.1	299.9	10.6	283.1	325.2	9.7	276.5	346.7	8.9	265.1	358.1	8.3	253.9	368.3	7.7
45.0	303.9	222.9	14.7	301.3	239.3	13.7	298.3	257.8	12.6	295.0	278.3	11.7	291.5	300.3	10.7	287.4	325.6	9.8	280.3	346.3	9.1	268.7	357.8	8.4	257.3	368.2	7.8
46.0	308.6	224.2	14.9	305.9	240.3	13.8	302.9	258.6	12.8	299.6	278.8	11.8	296.0	300.7	10.9	291.8	326.0	10.0	284.1	345.9	9.2	272.4	357.5	8.5	260.8	368.0	8.0
48.0	318.1	227.0	15.1	315.4	242.4	14.1	312.2	260.2	13.1	308.8	280.0	12.1	305.0	301.7	11.2	300.7	326.9	10.2	291.8	345.2	9.5	279.8	356.9	8.8	267.8	367.6	8.2
50.0	327.8	230.4	15.4	325.0	245.0	14.4	321.8	262.2	13.4	318.2	281.7	12.4	314.3	303.0	11.5	309.8	327.9	10.5	299.7	344.4	9.7	287.3	356.1	9.0	274.9	367.1	8.4
52.0	337.8	234.2	15.6	334.8	248.1	14.7	331.5	264.5	13.7	327.8	283.6	12.7	323.8	304.4	11.8	319.1	329.1	10.8	307.7	343.7	10.0	295.0	355.3	9.3	282.2	366.4	8.6
55.0	353.0	240.9	15.9	349.9	253.4	15.1	346.5	268.9	14.1	342.7	286.9	13.2	338.4	307.1	12.2	333.2	331.2	11.2	320.0	342.8	10.4	306.7	354.4	9.7	293.5	365.2	9.0

NOTES:

1. KW = Compressor Input Power
2. EER = Chiller EER (includes power from compressors, fans, and control panels 0.8 KW)
3. LCWT = Leaving Chilled Water Temperature
4. Ratings based on 2.4 GPM cooler water per ton
5. Rated IAW AHRI Standard 550/590

MODEL: YCIV0327E/V **E_IPLV = 14.1** **V_IPLV = 15.0**

AIR TEMPERATURE ON - CONDENSER (°F)																											
LCWT (°F)	75.0			80.0			85.0			90.0			95.0			100.0			105.0			110.0			115.0		
	TONS	KW	EER	TONS	KW	EER	TONS	KW	EER	TONS	KW	EER	TONS	KW	EER	TONS	KW	EER	TONS	KW	EER	TONS	KW	EER	TONS	KW	EER
40.0	305.7	240.0	13.7	303.0	259.0	12.7	300.2	279.9	11.7	297.2	302.4	10.8	293.9	326.1	10.0	290.2	352.9	9.2	283.6	374.3	8.5	273.3	387.8	7.9	262.0	397.8	7.4
42.0	315.4	242.0	14.1	312.6	260.6	13.1	309.7	281.0	12.1	306.4	303.3	11.1	303.0	327.1	10.3	299.1	353.9	9.4	291.6	374.4	8.7	280.6	387.7	8.1	269.0	398.2	7.6
44.0	325.4	244.3	14.4	322.5	262.4	13.4	319.3	282.6	12.4	315.9	304.5	11.4	312.3	328.1	10.6	308.2	355.1	9.7	299.7	374.5	9.0	288.1	387.5	8.3	276.1	398.3	7.8
45.0	330.4	245.6	14.5	327.5	263.4	13.5	324.3	283.4	12.5	320.8	305.2	11.6	317.1	328.7	10.7	312.8	355.7	9.8	303.9	374.5	9.1	292.0	387.3	8.5	279.7	398.2	7.9
46.0	335.5	247.0	14.7	332.5	264.6	13.7	329.2	284.3	12.7	325.7	306.0	11.7	321.9	329.3	10.8	317.5	356.3	9.9	308.1	374.5	9.2	295.9	387.1	8.6	283.4	398.2	8.0
48.0	345.9	250.2	15.0	342.8	267.1	14.0	339.4	286.3	13.0	335.6	307.7	12.0	331.6	330.8	11.1	326.7	357.1	10.2	316.6	374.4	9.5	303.7	386.6	8.8	290.9	397.8	8.2
50.0	356.6	253.7	15.2	353.3	270.0	14.3	349.7	288.8	13.3	345.8	309.6	12.3	341.7	332.5	11.4	335.8	357.1	10.5	325.0	373.7	9.7	311.7	386.0	9.1	298.5	397.4	8.4
52.0	367.5	257.7	15.5	364.0	273.3	14.6	360.3	291.5	13.6	356.2	311.9	12.6	351.9	334.3	11.7	345.0	357.3	10.8	333.5	373.2	10.0	319.9	385.3	9.3	304.6	393.2	8.7
55.0	384.2	264.6	15.8	380.5	279.0	14.9	376.6	296.2	14.0	372.3	315.9	13.0	367.7	337.8	12.1	359.2	357.9	11.2	346.6	372.5	10.4	332.4	384.3	9.7	309.4	377.3	9.2

MODEL: YCIV0357E/V **E_IPLV = 12.4** **V_IPLV = 15.6**

AIR TEMPERATURE ON - CONDENSER (°F)																											
LCWT (°F)	75.0			80.0			85.0			90.0			95.0			100.0			105.0			110.0			115.0		
	TONS	KW	EER	TONS	KW	EER	TONS	KW	EER	TONS	KW	EER	TONS	KW	EER	TONS	KW	EER	TONS	KW	EER	TONS	KW	EER	TONS	KW	EER
40.0	346.6	278.3	13.5	343.6	298.4	12.5	340.1	320.0	11.7	336.3	342.9	10.8	332.2	367.0	10.0	327.5	394.3	9.3	321.2	419.8	8.6	311.7	439.6	8.0	301.2	457.0	7.4
42.0	357.6	281.0	13.8	354.5	301.0	12.8	351.0	322.5	11.9	347.0	345.4	11.1	342.7	369.4	10.3	337.8	396.8	9.5	330.8	421.5	8.8	320.6	440.8	8.2	309.7	458.3	7.6
44.0	368.9	284.0	14.1	365.6	303.9	13.1	362.0	325.2	12.2	357.9	347.9	11.4	353.5	371.9	10.5	348.3	399.3	9.7	340.5	423.3	9.0	329.7	442.0	8.4	318.4	459.5	7.8
45.0	374.5	285.5	14.2	371.3	305.4	13.3	367.6	326.6	12.4	363.5	349.3	11.5	358.9	373.2	10.7	353.7	400.6	9.8	345.5	424.1	9.1	334.4	442.6	8.5	322.9	460.1	7.9
46.0	380.3	287.3	14.4	377.0	306.9	13.4	373.3	328.1	12.5	369.0	350.8	11.6	364.4	374.8	10.8	359.1	402.0	10.0	350.5	425.0	9.2	339.1	443.2	8.6	327.3	460.8	8.0
48.0	391.9	290.7	14.7	388.6	310.1	13.7	384.7	331.2	12.8	380.4	353.7	11.9	375.7	377.6	11.1	369.9	404.7	10.2	360.8	426.8	9.5	348.7	444.4	8.8	336.5	462.0	8.2
50.0	403.8	294.3	14.9	400.4	313.6	14.0	396.5	334.4	13.0	392.0	356.8	12.2	387.1	380.6	11.3	380.7	406.7	10.5	370.9	428.1	9.7	358.4	445.7	9.0	341.0	452.1	8.5
52.0	415.9	298.3	15.2	412.4	317.3	14.2	408.4	338.0	13.3	403.8	360.2	12.4	398.8	383.9	11.6	391.6	408.8	10.7	381.1	429.5	9.9	368.3	447.0	9.3	344.4	439.8	8.8
55.0	434.4	303.6	15.6	431.1	322.3	14.7	426.7	343.6	13.7	422.0	365.5	12.8	416.7	389.1	11.9	408.3	412.2	11.1	396.9	431.8	10.3	383.6	449.0	9.6	349.0	421.8	9.3

NOTES:

1. kW = Compressor Input Power
2. EER = Chiller EER (includes power from compressors, fans, and control panels 0.8 Kw)
3. LCWT = Leaving Chilled Water Temperature
4. Ratings based on 2.4 GPM cooler water per ton
5. Rated IAW AHRI Standard 550/590

Standard Efficiency Ratings - SI - 380V/60Hz

FORM 201.23-EG1 (1013)

MODEL: YCIV0157S/P

AIR TEMPERATURE ON - CONDENSER (°C)																		
LCWT (°C)	25.0			30.0			35.0			40.0			45.0			46.0		
	KW	KW	COP	KW	KW	COP	KW	KW	COP	KW	KW	COP	KW	KW	COP	KW	KW	COP
5.0	528.8	133.1	3.6	520.9	152.2	3.2	511.8	172.8	2.8	497.4	196.1	2.4	462.2	214.6	2.0	455.0	218.5	2.0
6.0	543.2	134.0	3.7	535.0	152.9	3.2	525.5	173.7	2.8	509.5	196.7	2.4	473.3	215.3	2.1	465.8	219.2	2.0
7.0	557.9	134.9	3.8	549.4	153.8	3.3	539.5	174.5	2.9	521.7	197.3	2.5	484.5	216.0	2.1	476.8	219.9	2.0
8.0	572.9	135.8	3.8	564.1	154.6	3.4	553.7	175.4	2.9	533.9	197.9	2.5	495.5	216.9	2.2	487.9	220.6	2.1
9.0	588.0	136.8	3.9	578.9	155.6	3.4	568.2	176.3	3.0	546.3	198.5	2.6	507.2	217.5	2.2	499.2	221.3	2.1
10.0	603.4	137.9	4.0	594.1	156.6	3.5	583.0	177.3	3.1	558.9	199.1	2.6	519.0	218.1	2.2	510.8	222.0	2.2
11.0	619.1	139.1	4.1	609.5	157.6	3.6	598.0	178.4	3.1	571.6	199.7	2.7	531.0	218.7	2.3	522.6	222.6	2.2
12.0	635.0	140.3	4.1	625.1	158.7	3.6	613.2	179.4	3.2	584.5	200.3	2.7	542.9	219.3	2.3	532.1	221.1	2.3
13.0	651.2	141.6	4.2	641.0	159.8	3.7	628.7	180.5	3.2	597.5	201.0	2.8	555.1	219.9	2.4	537.5	215.9	2.3

MODEL: YCIV0177S/P

AIR TEMPERATURE ON - CONDENSER (°C)																		
LCWT (°C)	25.0			30.0			35.0			40.0			45.0			46.0		
	KW	KW	COP	KW	KW	COP	KW	KW	COP	KW	KW	COP	KW	KW	COP	KW	KW	COP
5.0	587.3	146.6	3.7	576.4	167.9	3.2	563.2	190.9	2.8	536.0	208.9	2.4	491.4	218.9	2.1	462.3	206.9	2.1
6.0	603.7	147.6	3.8	592.6	168.9	3.3	579.1	192.0	2.8	550.1	209.5	2.5	496.5	214.8	2.2	467.9	203.3	2.2
7.0	620.4	148.6	3.8	609.2	169.9	3.3	595.2	193.1	2.9	563.9	210.0	2.5	502.4	210.9	2.2	474.0	199.7	2.2
8.0	637.4	149.7	3.9	626.0	170.9	3.4	611.2	193.9	3.0	577.7	210.4	2.6	508.8	207.2	2.3	479.4	195.7	2.3
9.0	654.7	150.8	4.0	643.0	171.9	3.5	626.8	194.3	3.0	591.8	210.7	2.6	514.8	203.2	2.4	484.4	191.6	2.4
10.0	672.0	152.0	4.1	660.4	173.1	3.5	642.6	194.8	3.1	605.9	211.0	2.7	520.5	199.0	2.5	488.9	187.6	2.4
11.0	689.4	153.4	4.1	677.8	174.4	3.6	658.6	195.3	3.2	620.3	211.4	2.8	525.7	194.9	2.5	493.2	183.6	2.5
12.0	707.1	154.9	4.2	695.4	175.6	3.7	674.7	195.8	3.2	634.8	211.7	2.8	530.6	190.8	2.6	497.4	179.6	2.6
13.0	725.1	156.4	4.3	713.3	177.0	3.7	691.0	196.4	3.3	649.5	212.0	2.9	534.7	186.7	2.7	501.5	175.7	2.7

MODEL: YCIV0187S/P

AIR TEMPERATURE ON - CONDENSER (°C)																		
LCWT (°C)	25.0			30.0			35.0			40.0			45.0			46.0		
	KW	KW	COP	KW	KW	COP	KW	KW	COP	KW	KW	COP	KW	KW	COP	KW	KW	COP
5.0	639.4	158.1	3.7	628.8	180.6	3.2	616.7	205.2	2.8	594.6	230.0	2.4	551.9	245.6	2.1	543.3	248.7	2.1
6.0	657.2	159.2	3.8	646.3	181.6	3.3	633.7	206.2	2.9	608.9	230.4	2.5	564.8	246.2	2.2	556.2	249.2	2.1
7.0	675.3	160.5	3.9	664.0	182.7	3.4	651.0	207.3	2.9	623.5	230.8	2.5	578.2	246.7	2.2	569.2	249.7	2.2
8.0	693.7	161.8	3.9	682.0	183.9	3.4	668.4	208.5	3.0	638.4	231.1	2.6	591.9	247.1	2.3	582.6	250.2	2.2
9.0	712.5	163.2	4.0	700.4	185.1	3.5	686.2	209.8	3.1	653.5	231.5	2.7	605.8	247.4	2.3	596.2	250.6	2.2
10.0	731.6	164.7	4.1	719.0	186.5	3.6	704.3	211.0	3.1	668.7	231.8	2.7	619.9	247.8	2.4	605.6	247.6	2.3
11.0	751.0	166.3	4.1	738.0	187.9	3.6	722.8	212.3	3.2	683.9	232.2	2.8	634.3	248.1	2.4	610.8	241.4	2.4
12.0	770.7	168.0	4.2	757.3	189.4	3.7	741.6	213.7	3.2	699.5	232.6	2.8	648.9	248.4	2.5	616.4	235.6	2.5
13.0	790.7	169.9	4.3	776.9	191.0	3.8	760.7	215.3	3.3	715.3	233.0	2.9	660.2	246.2	2.5	621.8	229.7	2.5

NOTES:

1. kWo = Unit kW Cooling Capacity Output
2. kW_i = Compressor kW Input
3. COP = Coefficient of Performance (includes condenser fan power)
4. LCWT = Leaving Chilled Water Temperature
5. Ratings based on 0.168 l/s cooler water per ton, and 0.018 (m² - °C)/kW

MODEL: YCIV0207S/P

AIR TEMPERATURE ON - CONDENSER (°C)																		
LCWT (°C)	25.0			30.0			35.0			40.0			45.0			46.0		
	KW	KW	COP	KW	KW	COP	KW	KW	COP	KW	KW	COP	KW	KW	COP	KW	KW	COP
5.0	689.5	170.6	3.7	676.6	196.8	3.2	662.1	226.0	2.8	629.2	248.2	2.4	564.5	248.2	2.1	530.0	233.3	2.1
6.0	709.0	171.7	3.8	695.5	197.6	3.3	680.0	226.6	2.8	644.2	248.0	2.5	569.7	242.9	2.2	536.2	228.8	2.2
7.0	728.8	173.0	3.9	714.8	198.5	3.4	697.4	226.7	2.9	659.6	247.8	2.5	576.2	238.0	2.3	542.0	223.9	2.3
8.0	749.1	174.4	4.0	734.4	199.5	3.4	715.2	226.8	3.0	675.3	247.4	2.6	582.3	232.8	2.4	547.6	219.0	2.3
9.0	769.7	176.1	4.0	754.5	200.6	3.5	733.3	227.1	3.0	691.2	247.0	2.6	588.4	227.7	2.4	553.1	214.3	2.4
10.0	790.7	178.1	4.1	774.9	202.0	3.6	751.7	227.4	3.1	707.2	246.7	2.7	594.3	222.6	2.5	558.1	209.8	2.5
11.0	812.1	180.2	4.2	795.7	203.6	3.6	770.3	227.8	3.2	723.6	246.3	2.8	599.9	217.8	2.6	563.0	205.4	2.6
12.0	834.0	182.6	4.2	816.9	205.3	3.7	789.3	228.2	3.2	740.2	245.9	2.8	605.2	213.2	2.7	567.7	200.9	2.6
13.0	856.2	185.1	4.3	838.5	207.2	3.8	808.6	228.9	3.3	757.1	245.6	2.9	610.1	208.7	2.7	572.5	196.6	2.7

MODEL: YCIV0227S/P

AIR TEMPERATURE ON - CONDENSER (°C)																		
LCWT (°C)	25.0			30.0			35.0			40.0			45.0			46.0		
	KW	KW	COP	KW	KW	COP	KW	KW	COP	KW	KW	COP	KW	KW	COP	KW	KW	COP
5.0	748.4	182.6	3.8	735.1	208.5	3.3	720.1	236.9	2.8	690.4	263.0	2.5	640.3	275.7	2.2	630.5	278.0	2.1
6.0	769.6	184.0	3.8	755.7	209.7	3.3	739.9	238.2	2.9	707.1	263.1	2.5	655.5	276.0	2.2	645.2	278.3	2.2
7.0	791.1	185.5	3.9	776.7	211.0	3.4	760.1	239.6	3.0	724.0	263.2	2.6	671.0	276.2	2.3	660.4	278.6	2.2
8.0	813.1	187.2	4.0	798.1	212.4	3.5	780.9	241.0	3.0	741.2	263.3	2.7	686.8	276.3	2.3	676.0	278.7	2.3
9.0	835.5	189.0	4.1	819.9	214.1	3.6	802.0	242.4	3.1	758.8	263.3	2.7	702.9	276.4	2.4	690.9	278.2	2.3
10.0	858.4	190.9	4.1	842.2	215.7	3.6	823.6	244.0	3.2	776.3	263.4	2.8	719.2	276.5	2.5	697.1	272.2	2.4
11.0	881.7	193.0	4.2	864.9	217.5	3.7	845.6	245.6	3.2	794.4	263.5	2.8	735.9	276.4	2.5	703.5	266.0	2.5
12.0	905.3	195.2	4.3	888.1	219.4	3.8	867.9	247.4	3.3	812.7	263.6	2.9	752.5	276.2	2.6	710.1	259.7	2.6
13.0	929.1	197.6	4.3	911.5	221.4	3.8	890.8	249.3	3.4	831.3	263.7	3.0	759.3	269.5	2.7	716.0	253.0	2.7

MODEL: YCIV0247S/P

AIR TEMPERATURE ON - CONDENSER (°C)																		
LCWT (°C)	25.0			30.0			35.0			40.0			45.0			46.0		
	KW	KW	COP	KW	KW	COP	KW	KW	COP	KW	KW	COP	KW	KW	COP	KW	KW	COP
5.0	821.2	201.2	3.7	807.2	229.1	3.3	791.2	259.7	2.8	762.5	289.7	2.5	716.5	309.3	2.2	707.4	313.0	2.1
6.0	844.2	202.8	3.8	829.7	230.5	3.3	812.9	261.2	2.9	781.4	290.3	2.5	733.9	310.0	2.2	724.3	313.8	2.2
7.0	867.7	204.5	3.9	852.5	232.1	3.4	834.9	262.9	3.0	800.6	290.9	2.6	751.6	310.7	2.3	740.0	313.3	2.2
8.0	891.5	206.4	4.0	875.8	233.9	3.5	857.5	264.6	3.0	820.1	291.5	2.7	769.8	311.3	2.3	747.8	307.2	2.3
9.0	915.8	208.4	4.0	899.5	235.7	3.5	880.5	266.3	3.1	839.9	292.1	2.7	788.2	311.9	2.4	755.3	300.7	2.4
10.0	940.5	210.4	4.1	923.7	237.6	3.6	904.0	268.2	3.2	859.8	292.8	2.8	804.7	311.1	2.4	762.4	293.8	2.4
11.0	965.7	212.7	4.2	948.2	239.6	3.7	927.8	270.0	3.2	880.3	293.4	2.8	812.6	304.1	2.5	769.0	286.5	2.5
12.0	991.2	215.1	4.2	973.3	241.7	3.7	952.1	272.1	3.3	901.1	294.0	2.9	820.0	296.6	2.6	775.2	279.1	2.6
13.0	1017.2	217.0	4.3	998.6	243.9	3.8	976.9	274.2	3.3	922.2	294.7	2.9	826.9	289.0	2.7	780.9	272.0	2.7

NOTES:

1. kW_o = Unit kW Cooling Capacity Output
2. kW_i = Compressor kW Input
3. COP = Coefficient of Performance (includes condenser fan power)
4. LCWT = Leaving Chilled Water Temperature
5. Ratings based on 0.168 l/s cooler water per ton, and 0.018 (m² - °C)/kW

Standard Efficiency Ratings - SI - 380V/60Hz

FORM 201.23-EG1 (1013)

MODEL: YCIV0267S/P

AIR TEMPERATURE ON - CONDENSER (°C)																		
LCWT (°C)	25.0			30.0			35.0			40.0			45.0			46.0		
	KW	KW	COP	KW	KW	COP	KW	KW	COP	KW	KW	COP	KW	KW	COP	KW	KW	COP
5.0	894.3	219.6	3.7	879.6	249.4	3.3	862.6	282.2	2.9	834.9	316.1	2.5	793.0	342.4	2.2	784.6	347.5	2.1
6.0	919.1	221.4	3.8	903.8	251.2	3.3	886.1	284.0	2.9	856.0	317.2	2.5	812.6	343.6	2.2	803.8	348.8	2.2
7.0	944.5	223.3	3.9	928.6	253.0	3.4	909.9	286.0	3.0	877.4	318.3	2.6	832.6	344.8	2.3	821.7	348.8	2.2
8.0	970.2	225.4	4.0	953.7	255.0	3.5	934.4	287.9	3.0	899.1	319.4	2.7	853.0	345.9	2.3	829.3	341.0	2.3
9.0	996.3	227.5	4.0	979.4	257.0	3.5	959.2	290.0	3.1	921.3	320.5	2.7	873.9	347.1	2.4	837.1	333.1	2.4
10.0	1023.0	229.8	4.1	1005.4	259.2	3.6	984.6	292.1	3.2	943.6	321.7	2.8	892.6	346.7	2.4	844.9	325.2	2.5
11.0	1050.0	232.2	4.2	1031.8	261.5	3.7	1010.4	294.2	3.2	966.5	322.9	2.8	900.9	338.2	2.5	852.6	317.4	2.5
12.0	1077.5	234.8	4.2	1058.8	263.8	3.7	1036.6	296.5	3.3	989.7	324.0	2.9	909.1	329.9	2.6	860.1	309.8	2.6
13.0	1105.6	236.2	4.3	1086.0	266.3	3.8	1063.2	298.9	3.3	1013.3	325.3	2.9	917.1	321.7	2.7	867.0	302.7	2.7

MODEL: YCIV0287S/P

AIR TEMPERATURE ON - CONDENSER (°C)																		
LCWT (°C)	25.0			30.0			35.0			40.0			45.0			46.0		
	KW	KW	COP	KW	KW	COP	KW	KW	COP	KW	KW	COP	KW	KW	COP	KW	KW	COP
5.0	949.5	231.0	3.8	932.1	265.4	3.2	911.8	303.1	2.8	873.5	336.2	2.4	791.6	344.8	2.2	743.1	325.2	2.1
6.0	976.3	232.5	3.8	958.3	266.7	3.3	937.2	304.4	2.9	895.5	336.6	2.5	799.7	338.3	2.2	752.1	319.4	2.2
7.0	1003.6	234.1	3.9	985.0	268.0	3.4	962.8	305.6	2.9	917.2	336.9	2.6	808.0	331.5	2.3	761.5	313.7	2.3
8.0	1031.4	235.8	4.0	1012.3	269.5	3.5	988.1	306.3	3.0	939.4	337.1	2.6	818.0	325.4	2.4	770.3	307.5	2.3
9.0	1059.7	237.8	4.1	1040.1	271.0	3.6	1013.9	307.0	3.1	962.0	337.2	2.7	827.4	319.0	2.4	778.7	301.3	2.4
10.0	1088.5	240.0	4.2	1068.4	272.8	3.6	1040.2	307.9	3.2	985.0	337.2	2.7	836.6	312.5	2.5	786.4	295.0	2.5
11.0	1117.8	242.5	4.2	1097.2	274.7	3.7	1066.9	308.9	3.2	1008.2	337.3	2.8	845.3	306.1	2.6	793.4	288.8	2.6
12.0	1147.6	245.2	4.3	1126.5	276.9	3.8	1094.0	309.9	3.3	1031.7	337.4	2.9	853.4	299.8	2.7	800.2	282.7	2.6
13.0	1177.9	248.0	4.4	1156.3	279.2	3.8	1121.6	311.1	3.4	1055.6	337.6	2.9	860.6	293.5	2.7	806.8	276.6	2.7

MODEL: YCIV0307S/P

AIR TEMPERATURE ON - CONDENSER (°C)																		
LCWT (°C)	25.0			30.0			35.0			40.0			45.0			46.0		
	KW	KW	COP	KW	KW	COP	KW	KW	COP	KW	KW	COP	KW	KW	COP	KW	KW	COP
5.0	1055.2	254.8	3.8	1036.1	294.0	3.3	1014.7	337.5	2.8	970.6	374.3	2.4	868.6	373.3	2.2	815.4	351.0	2.2
6.0	1084.9	256.5	3.9	1064.9	295.1	3.3	1042.0	338.3	2.9	993.7	374.1	2.5	876.5	365.3	2.3	824.1	343.8	2.2
7.0	1115.3	258.3	4.0	1094.4	296.3	3.4	1069.2	338.7	3.0	1017.4	373.7	2.6	885.7	357.6	2.3	833.7	336.9	2.3
8.0	1146.3	260.4	4.0	1124.5	297.7	3.5	1097.1	339.2	3.0	1041.6	373.3	2.6	896.0	350.3	2.4	842.6	329.7	2.4
9.0	1178.0	262.8	4.1	1155.3	299.4	3.6	1125.4	339.9	3.1	1066.2	372.7	2.7	905.5	342.6	2.5	851.2	322.6	2.5
10.0	1210.2	265.6	4.2	1186.6	301.4	3.7	1154.3	340.6	3.2	1091.1	372.1	2.8	914.9	335.1	2.6	859.2	315.8	2.5
11.0	1243.0	268.7	4.3	1218.5	303.7	3.7	1183.7	341.5	3.2	1116.3	371.6	2.8	923.7	327.9	2.6	866.8	309.2	2.6
12.0	1276.6	272.1	4.3	1251.1	306.1	3.8	1213.7	342.5	3.3	1142.1	371.0	2.9	932.2	321.0	2.7	874.2	302.6	2.7
13.0	1310.6	276.0	4.4	1284.3	308.9	3.9	1244.1	343.9	3.4	1168.3	370.5	3.0	939.9	314.3	2.8	881.4	296.1	2.8

NOTES:

1. kW_o = Unit kW Cooling Capacity Output
2. kW_i = Compressor kW Input
3. COP = Coefficient of Performance (includes condenser fan power)
4. LCWT = Leaving Chilled Water Temperature
5. Ratings based on 0.168 l/s cooler water per ton, and 0.018 (m² - °C)/kW

MODEL: YCIV0357S/P

AIR TEMPERATURE ON - CONDENSER (°C)																		
LCWT (°C)	25.0			30.0			35.0			40.0			45.0			46.0		
	KW	KW	COP	KW	KW	COP	KW	KW	COP	KW	KW	COP	KW	KW	COP	KW	KW	COP
5.0	1191.3	291.5	3.7	1170.8	332.4	3.3	1147.5	377.2	2.8	1105.5	420.8	2.5	1034.8	446.6	2.2	1020.8	451.5	2.1
6.0	1224.9	293.8	3.8	1203.5	334.4	3.3	1179.0	379.3	2.9	1132.5	421.5	2.5	1059.6	447.6	2.2	1045.0	452.5	2.2
7.0	1259.1	296.1	3.9	1236.8	336.6	3.4	1211.2	381.6	3.0	1160.1	422.2	2.6	1085.1	448.4	2.3	1070.0	453.4	2.2
8.0	1294.0	298.7	4.0	1270.8	339.0	3.5	1244.0	384.0	3.0	1188.2	422.8	2.6	1111.1	449.1	2.3	1085.2	447.5	2.3
9.0	1329.5	301.6	4.1	1305.4	341.5	3.5	1277.5	386.5	3.1	1216.8	423.4	2.7	1137.4	449.8	2.4	1096.7	438.8	2.4
10.0	1365.7	304.6	4.1	1340.7	344.2	3.6	1311.7	389.0	3.2	1245.7	424.1	2.8	1164.1	450.5	2.4	1107.5	429.2	2.4
11.0	1402.6	307.8	4.2	1376.7	347.0	3.7	1346.7	391.6	3.2	1275.0	424.8	2.8	1179.6	443.2	2.5	1117.3	418.9	2.5
12.0	1439.8	311.3	4.3	1413.4	350.1	3.8	1382.2	394.5	3.3	1305.0	425.4	2.9	1190.8	432.9	2.6	1126.4	408.1	2.6
13.0	1477.6	314.5	4.3	1450.3	353.2	3.8	1418.5	397.5	3.3	1335.5	426.1	3.0	1201.1	421.9	2.7	1134.7	397.2	2.7

MODEL: YCIV0397S/P

AIR TEMPERATURE ON - CONDENSER (°C)																		
LCWT (°C)	25.0			30.0			35.0			40.0			45.0			46.0		
	KW	KW	COP	KW	KW	COP	KW	KW	COP	KW	KW	COP	KW	KW	COP	KW	KW	COP
5.0	1337.3	328.4	3.7	1315.3	373.1	3.3	1289.8	422.2	2.9	1249.5	473.4	2.5	1187.1	512.7	2.2	1174.5	520.5	2.1
6.0	1374.7	331.0	3.8	1351.8	375.7	3.3	1325.2	424.9	2.9	1280.8	475.2	2.5	1216.1	514.6	2.2	1203.0	522.5	2.2
7.0	1412.9	333.8	3.9	1389.0	378.4	3.4	1361.1	427.8	3.0	1312.9	476.8	2.6	1246.0	516.4	2.3	1232.4	524.3	2.2
8.0	1451.9	336.8	4.0	1426.9	381.4	3.5	1397.9	430.7	3.0	1345.7	478.4	2.7	1276.5	518.2	2.3	1248.8	516.4	2.3
9.0	1491.4	340.1	4.0	1465.7	384.4	3.5	1435.3	433.8	3.1	1379.2	480.1	2.7	1307.7	519.9	2.4	1260.5	504.6	2.4
10.0	1531.8	343.5	4.1	1505.1	387.5	3.6	1473.6	436.9	3.2	1412.8	481.9	2.8	1339.2	521.7	2.4	1272.3	492.8	2.4
11.0	1572.9	347.0	4.2	1545.3	390.8	3.7	1512.7	440.1	3.2	1447.4	483.6	2.8	1356.6	512.7	2.5	1283.9	481.0	2.5
12.0	1613.6	350.8	4.2	1586.1	394.5	3.7	1552.4	443.5	3.3	1482.4	485.4	2.9	1369.0	500.1	2.6	1295.3	469.5	2.6
13.0	0.0	0.0	0.0	1626.5	398.0	3.8	1593.0	447.0	3.3	1518.1	487.2	2.9	1381.2	487.7	2.7	1306.2	458.5	2.7

MODEL: YCIV0457P

AIR TEMPERATURE ON - CONDENSER (°C)																		
LCWT (°C)	25.0			30.0			35.0			40.0			45.0			46.0		
	KW	KW	COP	KW	KW	COP	KW	KW	COP	KW	KW	COP	KW	KW	COP	KW	KW	COP
5.0	1,529.4	372.4	3.6	1,504.4	426.5	3.2	1,474.1	486.8	2.8	1,411.6	538.1	2.4	1,383.8	597.2	2.1	1,369.3	605.5	2.1
6.0	1,572.4	375.2	3.7	1,546.6	429.0	3.2	1,515.2	489.4	2.8	1,448.1	539.5	2.5	1,417.9	598.6	2.2	1,402.8	606.9	2.1
7.0	1,616.3	378.0	3.8	1,589.7	431.6	3.3	1,557.2	492.0	2.9	1,485.0	541.3	2.5	1,452.7	599.8	2.2	1,437.1	608.3	2.2
8.0	1,660.9	381.4	3.9	1,633.6	434.4	3.4	1,598.4	494.0	3.0	1,522.8	542.7	2.6	1,488.2	601.0	2.3	1,472.1	609.5	2.2
9.0	1,706.2	384.7	3.9	1,678.3	437.4	3.5	1,638.9	495.5	3.0	1,561.3	544.1	2.6	1,524.4	602.1	2.3	1,507.8	610.6	2.3
10.0	1,751.6	388.2	4.0	1,723.3	440.6	3.5	1,680.2	497.0	3.1	1,600.5	545.5	2.7	1,560.8	603.3	2.4	1,544.2	611.7	2.3
11.0	1,797.7	392.1	4.1	1,768.7	443.9	3.6	1,721.3	498.6	3.2	1,640.4	546.9	2.8	1,598.2	604.3	2.5	1,580.6	612.9	2.4
12.0	1,844.4	396.1	4.2	1,814.6	447.7	3.7	1,762.9	500.3	3.2	1,680.2	548.4	2.8	1,635.9	605.2	2.5	1,618.3	613.8	2.4
13.0	1,891.9	400.5	4.2	1,861.5	451.5	3.7	1,805.0	502.1	3.3	1,720.3	550.0	2.9	1,673.8	606.1	2.6	1,655.7	614.7	2.5

- NOTES:**
1. kW_o = Unit kW Cooling Capacity Output
 2. kW_i = Compressor kW Input
 3. COP = Coefficient of Performance (includes condenser fan power)
 4. LCWT = Leaving Chilled Water Temperature
 5. Ratings based on 0.168 l/s cooler water per ton, and 0.018 (m² - °C)/kW

High Efficiency Ratings - SI - 380V/60Hz

FORM 201.23-EG1 (1013)

MODEL: YCIV0157E/V

AIR TEMPERATURE ON - CONDENSER (°C)																		
LCWT (°C)	25.0			30.0			35.0			40.0			45.0			46.0		
	KW	KW	COP	KW	KW	COP	KW	KW	COP	KW	KW	COP	KW	KW	COP	KW	KW	COP
5.0	525.0	123.1	3.9	515.6	139.0	3.4	503.3	156.2	3.0	487.8	176.4	2.6	449.0	192.6	2.2	441.1	196.0	2.1
6.0	539.7	124.0	3.9	530.4	140.2	3.5	518.1	157.4	3.0	500.9	177.3	2.6	460.8	193.4	2.2	452.7	196.7	2.2
7.0	554.7	125.0	4.0	545.4	141.3	3.5	533.0	158.5	3.1	514.0	178.2	2.7	472.8	194.1	2.3	464.5	197.5	2.2
8.0	569.9	126.1	4.1	560.7	142.4	3.6	548.1	159.7	3.2	527.2	179.1	2.7	484.9	195.0	2.3	476.5	198.2	2.3
9.0	585.2	127.1	4.2	576.2	143.5	3.7	563.5	161.0	3.2	540.5	180.0	2.8	497.0	195.9	2.4	488.4	199.1	2.3
10.0	600.7	128.2	4.2	591.8	144.7	3.7	579.1	162.2	3.3	554.0	180.9	2.9	509.5	196.8	2.4	500.6	200.0	2.4
11.0	616.4	129.2	4.3	607.7	145.8	3.8	594.9	163.5	3.4	567.6	181.9	2.9	522.3	197.7	2.5	513.2	200.9	2.4
12.0	632.2	130.3	4.4	623.8	147.0	3.9	610.9	164.8	3.4	581.2	182.9	3.0	535.2	198.6	2.5	525.9	201.8	2.4
13.0	648.3	131.3	4.5	640.1	148.3	4.0	627.2	166.2	3.5	595.0	183.8	3.0	548.3	199.5	2.6	538.8	202.7	2.5

MODEL: YCIV0177E/V

AIR TEMPERATURE ON - CONDENSER (°C)																		
LCWT (°C)	25.0			30.0			35.0			40.0			45.0			46.0		
	KW	KW	COP	KW	KW	COP	KW	KW	COP	KW	KW	COP	KW	KW	COP	KW	KW	COP
5.0	558.7	129.2	3.9	550.3	147.1	3.4	540.3	167.0	3.0	525.1	189.7	2.6	492.2	209.6	2.2	484.3	213.4	2.1
6.0	574.5	130.1	4.0	565.7	147.9	3.5	555.3	167.8	3.0	538.7	190.4	2.6	504.1	210.2	2.2	496.2	213.9	2.2
7.0	590.5	131.1	4.0	581.5	148.8	3.6	570.6	168.6	3.1	552.7	191.0	2.7	516.4	210.7	2.3	508.1	214.6	2.2
8.0	606.9	132.2	4.1	597.5	149.7	3.6	586.3	169.5	3.2	566.8	191.7	2.7	528.8	211.3	2.3	520.3	215.1	2.3
9.0	623.5	133.4	4.2	613.9	150.7	3.7	602.3	170.4	3.3	581.3	192.4	2.8	541.5	211.8	2.4	532.8	215.7	2.3
10.0	640.4	134.6	4.3	630.5	151.8	3.8	618.5	171.4	3.3	596.0	193.1	2.9	554.4	212.3	2.4	545.5	216.2	2.4
11.0	657.7	136.0	4.4	647.5	153.0	3.9	635.1	172.5	3.4	610.9	193.9	2.9	567.6	212.9	2.5	551.5	211.4	2.4
12.0	675.2	137.4	4.4	664.8	154.3	3.9	652.0	173.6	3.5	626.1	194.7	3.0	580.9	213.4	2.5	557.2	206.6	2.5
13.0	693.1	139.0	4.5	682.3	155.6	4.0	669.2	174.8	3.5	641.6	195.5	3.1	594.4	214.0	2.6	562.8	202.0	2.6

MODEL: YCIV0187E/V

AIR TEMPERATURE ON - CONDENSER (°C)																		
LCWT (°C)	25.0			30.0			35.0			40.0			45.0			46.0		
	KW	KW	COP	KW	KW	COP	KW	KW	COP	KW	KW	COP	KW	KW	COP	KW	KW	COP
5.0	621.1	143.4	3.9	611.6	164.1	3.4	600.1	187.0	3.0	582.8	211.7	2.6	547.1	228.0	2.2	538.6	230.9	2.2
6.0	638.5	144.3	4.0	628.9	164.8	3.5	617.0	187.7	3.0	598.1	212.0	2.6	560.8	228.4	2.3	552.0	231.3	2.2
7.0	656.2	145.3	4.1	646.4	165.6	3.5	634.2	188.4	3.1	613.8	212.3	2.7	574.6	228.7	2.3	565.6	231.6	2.3
8.0	674.1	146.4	4.1	664.2	166.5	3.6	651.7	189.3	3.2	629.7	212.6	2.7	588.8	229.0	2.4	579.5	232.0	2.3
9.0	692.3	147.7	4.2	682.2	167.5	3.7	669.4	190.2	3.2	645.8	212.9	2.8	603.2	229.2	2.5	593.7	232.2	2.4
10.0	710.7	149.0	4.3	700.4	168.6	3.8	687.3	191.1	3.3	662.3	213.3	2.9	617.8	229.4	2.5	608.1	232.4	2.4
11.0	729.4	150.5	4.4	719.0	169.8	3.9	705.6	192.2	3.4	678.9	213.6	3.0	632.7	229.6	2.6	622.8	232.6	2.5
12.0	748.4	152.0	4.4	737.8	171.1	3.9	724.1	193.3	3.5	695.7	214.0	3.0	647.8	229.7	2.6	632.7	229.6	2.6
13.0	767.7	153.7	4.5	756.9	172.4	4.0	742.9	194.5	3.5	712.8	214.4	3.1	663.1	229.9	2.7	638.4	224.0	2.7

NOTES:

1. kW_o = Unit kW Cooling Capacity Output
2. kW_i = Compressor kW Input
3. COP = Coefficient of Performance (includes condenser fan power)
4. LCWT = Leaving Chilled Water Temperature
5. Ratings based on 0.168 l/s cooler water per ton, and 0.018 (m² - °C)/kW

MODEL: YCIV0197E/V																		
AIR TEMPERATURE ON - CONDENSER (°C)																		
LCWT (°C)	25.0			30.0			35.0			40.0			45.0			46.0		
	KW	KW	COP	KW	KW	COP	KW	KW	COP	KW	KW	COP	KW	KW	COP	KW	KW	COP
5.0	672.7	155.1	3.9	661.6	178.9	3.4	648.7	206.1	2.9	631.4	236.7	2.5	586.1	249.7	2.2	577.1	252.0	2.2
6.0	691.7	156.1	4.0	680.1	179.4	3.5	666.7	206.4	3.0	647.0	236.3	2.6	600.4	249.7	2.3	591.1	252.1	2.2
7.0	711.0	157.3	4.1	699.0	180.0	3.6	685.1	206.8	3.1	662.9	235.8	2.6	614.9	249.6	2.3	605.4	252.0	2.3
8.0	730.8	158.7	4.2	718.3	180.9	3.6	703.9	207.3	3.1	678.8	235.3	2.7	629.7	249.3	2.4	620.0	251.8	2.3
9.0	750.9	160.4	4.2	737.9	181.8	3.7	723.0	207.9	3.2	695.2	234.8	2.8	645.0	249.0	2.4	634.8	251.6	2.4
10.0	771.3	162.3	4.3	758.0	183.0	3.8	742.4	208.8	3.3	711.9	234.3	2.8	660.3	248.5	2.5	650.0	251.1	2.4
11.0	792.1	164.4	4.4	778.4	184.3	3.9	762.2	209.6	3.4	728.8	233.8	2.9	675.9	248.0	2.6	665.4	250.7	2.5
12.0	813.3	166.8	4.4	799.1	186.0	3.9	782.4	210.6	3.4	745.9	233.3	3.0	691.8	247.5	2.6	681.0	250.2	2.6
13.0	834.9	169.5	4.5	820.2	187.8	4.0	803.0	211.8	3.5	763.0	233.0	3.1	707.8	247.0	2.7	696.9	249.6	2.6

MODEL: YCIV0207E/V																		
AIR TEMPERATURE ON - CONDENSER (°C)																		
LCWT (°C)	25.0			30.0			35.0			40.0			45.0			46.0		
	KW	KW	COP	KW	KW	COP	KW	KW	COP	KW	KW	COP	KW	KW	COP	KW	KW	COP
5.0	715.1	163.2	3.9	703.9	187.3	3.4	691.1	214.8	3.0	672.4	245.0	2.6	630.3	261.6	2.3	620.8	264.1	2.2
6.0	735.3	164.3	4.0	723.6	188.0	3.5	710.2	215.4	3.0	689.7	245.2	2.6	645.5	261.6	2.3	635.9	264.1	2.3
7.0	755.9	165.6	4.1	743.7	188.9	3.6	729.7	216.0	3.1	707.4	245.3	2.7	661.1	261.5	2.4	651.2	264.1	2.3
8.0	776.9	167.1	4.2	764.2	189.8	3.7	749.5	216.7	3.2	725.4	245.4	2.8	677.0	261.3	2.4	666.7	264.0	2.4
9.0	798.4	168.8	4.3	785.1	191.0	3.8	769.8	217.5	3.3	743.7	245.5	2.8	693.1	261.0	2.5	682.6	263.7	2.4
10.0	820.2	170.7	4.3	806.4	192.3	3.8	790.5	218.4	3.3	762.5	245.6	2.9	709.5	260.7	2.5	698.7	263.4	2.5
11.0	842.4	172.9	4.4	828.1	193.8	3.9	811.6	219.5	3.4	781.3	245.8	3.0	726.1	260.3	2.6	715.2	263.0	2.5
12.0	864.5	175.1	4.5	850.1	195.4	4.0	833.1	220.7	3.5	799.5	245.5	3.0	743.1	259.9	2.7	723.9	257.8	2.6
13.0	887.0	177.7	4.5	872.1	197.2	4.0	854.8	222.1	3.6	818.1	245.3	3.1	760.3	259.5	2.7	730.1	251.0	2.7

MODEL: YCIV0227E/V																		
AIR TEMPERATURE ON - CONDENSER (°C)																		
LCWT (°C)	25.0			30.0			35.0			40.0			45.0			46.0		
	KW	KW	COP	KW	KW	COP	KW	KW	COP	KW	KW	COP	KW	KW	COP	KW	KW	COP
5.0	743.0	169.0	3.9	731.8	192.7	3.4	718.8	219.4	3.0	703.0	250.7	2.6	661.8	268.9	2.3	652.0	271.4	2.2
6.0	764.0	170.2	4.0	752.3	193.7	3.5	738.8	220.3	3.1	722.2	251.7	2.7	678.0	268.9	2.3	667.8	271.6	2.3
7.0	785.4	171.7	4.1	773.3	194.8	3.6	759.2	221.2	3.2	741.8	252.8	2.7	694.3	269.0	2.4	684.1	271.6	2.3
8.0	807.2	173.1	4.2	794.7	196.0	3.7	780.0	222.3	3.2	761.9	253.8	2.8	711.1	269.0	2.5	700.6	271.6	2.4
9.0	829.4	174.8	4.3	816.5	197.2	3.8	801.2	223.4	3.3	782.3	254.8	2.9	728.2	268.9	2.5	717.3	271.6	2.5
10.0	851.7	176.5	4.3	838.7	198.7	3.8	822.9	224.6	3.4	801.1	254.8	2.9	745.6	268.9	2.6	734.4	271.5	2.5
11.0	874.2	178.4	4.4	860.8	200.2	3.9	844.9	225.8	3.4	820.0	254.9	3.0	763.3	268.8	2.6	751.8	271.4	2.6
12.0	897.1	180.5	4.5	883.2	201.8	4.0	866.8	227.3	3.5	839.3	254.9	3.1	781.0	268.7	2.7	769.5	271.3	2.6
13.0	920.3	182.6	4.5	906.1	203.6	4.1	889.1	228.7	3.6	858.7	255.0	3.1	799.3	268.6	2.8	787.3	271.3	2.7

- NOTES:**
1. kW_o = Unit kW Cooling Capacity Output
 2. kW_i = Compressor kW Input
 3. COP = Coefficient of Performance (includes condenser fan power)
 4. LCWT = Leaving Chilled Water Temperature
 5. Ratings based on 0.168 l/s cooler water per ton, and 0.018 (m² - °C)/kW

High Efficiency Ratings - SI - 380V/60Hz

FORM 201.23-EG1 (1013)

MODEL: YCIV0247E/V

AIR TEMPERATURE ON - CONDENSER (°C)																		
LCWT (°C)	25.0			30.0			35.0			40.0			45.0			46.0		
	KW	KW	COP	KW	KW	COP	KW	KW	COP	KW	KW	COP	KW	KW	COP	KW	KW	COP
5.0	824.5	194.8	3.8	811.2	221.5	3.4	795.7	251.2	2.9	773.5	283.8	2.5	730.4	305.9	2.2	721.2	309.7	2.2
6.0	847.7	196.4	3.9	833.8	222.9	3.4	817.7	252.6	3.0	793.8	284.9	2.6	748.4	306.5	2.3	738.8	310.5	2.2
7.0	871.3	198.1	4.0	856.9	224.4	3.5	840.1	254.0	3.1	814.6	286.0	2.7	766.7	307.1	2.3	754.9	309.8	2.3
8.0	895.3	199.9	4.1	880.5	226.0	3.6	863.0	255.6	3.1	835.8	287.1	2.7	785.5	307.7	2.4	763.0	303.6	2.4
9.0	919.9	201.9	4.1	904.5	227.8	3.7	886.3	257.2	3.2	856.8	287.9	2.8	804.7	308.2	2.5	770.6	296.9	2.4
10.0	944.8	204.0	4.2	928.9	229.6	3.7	910.1	258.9	3.3	877.5	288.5	2.8	821.6	307.2	2.5	777.9	289.9	2.5
11.0	970.3	206.2	4.3	953.8	231.6	3.8	934.4	260.7	3.3	898.6	289.1	2.9	829.7	300.0	2.6	784.7	282.6	2.6
12.0	995.9	208.6	4.4	979.1	233.6	3.9	959.0	262.6	3.4	920.1	289.7	3.0	837.3	292.4	2.7	791.0	275.3	2.7
13.0	1022.2	210.5	4.4	1004.7	235.9	3.9	984.2	264.6	3.5	941.9	290.4	3.0	844.2	284.8	2.8	796.8	268.3	2.8

MODEL: YCIV0267E/V

AIR TEMPERATURE ON - CONDENSER (°C)																		
LCWT (°C)	25.0			30.0			35.0			40.0			45.0			46.0		
	KW	KW	COP	KW	KW	COP	KW	KW	COP	KW	KW	COP	KW	KW	COP	KW	KW	COP
5.0	935.9	214.3	3.9	919.5	246.0	3.4	900.1	281.3	3.0	875.5	321.9	2.5	811.1	342.9	2.2	798.1	346.7	2.2
6.0	962.5	215.7	4.0	945.8	247.0	3.5	925.6	282.3	3.0	898.2	322.2	2.6	831.3	343.3	2.3	817.8	347.2	2.2
7.0	989.5	217.3	4.1	972.5	248.1	3.6	951.7	283.3	3.1	921.3	322.3	2.7	851.9	343.6	2.3	838.0	347.6	2.3
8.0	1017.1	219.1	4.2	999.6	249.4	3.7	978.3	284.3	3.2	944.1	322.3	2.7	872.7	343.8	2.4	858.7	347.9	2.3
9.0	1045.2	221.1	4.3	1027.4	250.9	3.7	1005.4	285.5	3.3	967.3	322.3	2.8	894.2	343.9	2.4	879.6	348.1	2.4
10.0	1073.8	223.4	4.4	1055.6	252.5	3.8	1033.0	286.9	3.3	991.0	322.2	2.9	915.8	344.0	2.5	901.0	348.2	2.4
11.0	1102.8	225.9	4.4	1084.4	254.3	3.9	1061.2	288.3	3.4	1015.0	322.2	2.9	938.0	344.0	2.6	922.6	348.2	2.5
12.0	1132.3	228.7	4.5	1113.6	256.4	4.0	1089.8	289.9	3.5	1039.3	322.2	3.0	960.5	344.0	2.6	944.8	348.2	2.5
13.0	1162.3	231.7	4.6	1143.3	258.7	4.1	1119.1	291.7	3.6	1063.8	322.3	3.1	983.3	344.0	2.7	967.4	348.1	2.6

MODEL: YCIV0287E/V

AIR TEMPERATURE ON - CONDENSER (°C)																		
LCWT (°C)	25.0			30.0			35.0			40.0			45.0			46.0		
	KW	KW	COP	KW	KW	COP	KW	KW	COP	KW	KW	COP	KW	KW	COP	KW	KW	COP
5.0	996.2	225.3	4.0	979.2	259.7	3.4	959.5	298.8	3.0	935.5	344.4	2.5	869.0	364.4	2.2	855.4	367.7	2.2
6.0	1024.5	226.7	4.1	1007.0	260.4	3.5	986.4	299.5	3.0	960.5	344.8	2.6	890.3	364.4	2.3	876.3	367.9	2.2
7.0	1053.4	228.4	4.2	1035.3	261.3	3.6	1013.9	300.0	3.1	984.3	344.2	2.7	912.1	364.3	2.3	897.7	367.9	2.3
8.0	1082.9	230.4	4.2	1064.2	262.5	3.7	1042.0	300.7	3.2	1008.6	343.5	2.7	934.3	363.9	2.4	919.5	367.6	2.3
9.0	1112.9	232.7	4.3	1093.7	263.9	3.8	1070.7	301.6	3.3	1033.1	342.9	2.8	956.7	363.5	2.5	941.8	367.2	2.4
10.0	1143.5	235.4	4.4	1123.7	265.6	3.9	1100.0	302.8	3.4	1058.1	342.2	2.9	979.9	362.9	2.5	964.3	366.8	2.5
11.0	1174.4	238.5	4.5	1154.4	267.5	3.9	1129.9	304.0	3.4	1083.6	341.5	3.0	1003.4	362.3	2.6	987.4	366.2	2.5
12.0	1206.4	241.9	4.5	1185.5	269.8	4.0	1160.4	305.5	3.5	1109.5	340.9	3.0	1027.4	361.6	2.7	1011.0	365.5	2.6
13.0	1238.7	245.7	4.6	1217.3	272.4	4.1	1191.4	307.2	3.6	1135.6	340.4	3.1	1051.7	360.9	2.7	1034.9	364.8	2.7

NOTES:

1. kW_o = Unit kW Cooling Capacity Output
2. kW_i = Compressor kW Input
3. COP = Coefficient of Performance (includes condenser fan power)
4. LCWT = Leaving Chilled Water Temperature
5. Ratings based on 0.168 l/s cooler water per ton, and 0.018 (m² - °C)/kW

MODEL: YCIV0327E/V

AIR TEMPERATURE ON - CONDENSER (°C)																		
LCWT (°C)	25.0			30.0			35.0			40.0			45.0			46.0		
	KW	KW	COP	KW	KW	COP	KW	KW	COP	KW	KW	COP	KW	KW	COP	KW	KW	COP
5.0	1082.7	247.9	3.9	1064.7	284.7	3.4	1044.3	326.4	3.0	1013.0	371.0	2.6	945.2	394.1	2.3	930.6	397.6	2.2
6.0	1113.5	249.6	4.0	1094.7	285.8	3.5	1073.2	327.3	3.0	1038.5	371.1	2.6	967.8	394.2	2.3	953.0	397.8	2.2
7.0	1145.0	251.6	4.1	1125.3	287.1	3.6	1102.8	328.3	3.1	1064.7	371.1	2.7	991.1	394.1	2.4	975.8	397.9	2.3
8.0	1177.1	253.9	4.2	1156.5	288.5	3.7	1133.0	329.5	3.2	1091.4	371.0	2.7	1014.9	393.9	2.4	999.0	397.7	2.4
9.0	1209.8	256.5	4.3	1188.4	290.3	3.8	1164.0	330.7	3.3	1118.6	370.9	2.8	1039.0	393.5	2.5	1022.8	397.4	2.4
10.0	1243.2	259.3	4.3	1221.0	292.3	3.8	1195.5	332.2	3.3	1146.4	370.9	2.9	1063.6	393.0	2.5	1047.0	397.0	2.5
11.0	1277.2	262.6	4.4	1254.2	294.7	3.9	1227.8	333.8	3.4	1174.3	370.9	3.0	1088.5	392.5	2.6	1071.6	396.5	2.5
12.0	1311.9	266.1	4.5	1288.1	297.2	4.0	1260.7	335.7	3.5	1201.8	370.4	3.0	1114.1	391.9	2.7	1085.7	389.4	2.6
13.0	1347.3	270.1	4.5	1322.6	300.0	4.1	1294.1	337.9	3.6	1229.8	370.1	3.1	1139.9	391.3	2.7	1095.0	379.4	2.7

MODEL: YCIV0357E/V

AIR TEMPERATURE ON - CONDENSER (°C)																		
LCWT (°C)	25.0			30.0			35.0			40.0			45.0			46.0		
	KW	KW	COP	KW	KW	COP	KW	KW	COP	KW	KW	COP	KW	KW	COP	KW	KW	COP
5.0	1228.4	287.0	3.9	1206.7	325.4	3.4	1181.0	367.8	3.0	1146.5	415.9	2.6	1083.9	450.5	2.3	1070.4	456.8	2.2
6.0	1263.2	289.6	4.0	1241.1	327.6	3.5	1214.5	370.0	3.0	1177.1	417.5	2.6	1111.7	451.6	2.3	1097.6	457.9	2.3
7.0	1298.8	292.2	4.0	1276.1	330.0	3.5	1248.7	372.3	3.1	1208.5	419.0	2.7	1139.9	452.8	2.4	1125.5	459.0	2.3
8.0	1334.9	295.0	4.1	1311.8	332.6	3.6	1283.4	374.9	3.2	1240.5	420.6	2.8	1168.8	453.8	2.4	1153.8	460.1	2.4
9.0	1371.6	298.1	4.2	1348.0	335.4	3.7	1318.9	377.4	3.2	1273.1	422.2	2.8	1198.3	454.9	2.5	1183.0	461.2	2.4
10.0	1409.1	301.3	4.3	1384.9	338.3	3.8	1355.0	380.2	3.3	1306.1	424.0	2.9	1228.4	456.0	2.5	1205.0	457.4	2.5
11.0	1447.1	304.6	4.3	1422.5	341.3	3.8	1391.8	383.1	3.4	1339.8	425.7	2.9	1258.9	457.1	2.6	1215.9	446.2	2.6
12.0	1485.7	308.3	4.4	1460.6	344.7	3.9	1429.2	386.1	3.4	1372.9	427.0	3.0	1290.1	458.2	2.6	1226.3	435.1	2.6
13.0	1525.2	311.0	4.5	1499.4	348.1	4.0	1467.3	389.3	3.5	1406.5	428.4	3.1	1308.1	450.8	2.7	1236.0	424.3	2.7

NOTES:

1. kW_o = Unit kW Cooling Capacity Output
2. kW_i = Compressor kW Input
3. COP = Coefficient of Performance (includes condenser fan power)
4. LCWT = Leaving Chilled Water Temperature
5. Ratings based on 0.168 l/s cooler water per ton, and 0.018 (m² - °C)/kW

Physical Data (English - Standard Efficiency)

FORM 201.23-EG1 (1013)

REFRIGERANT R-134A	STANDARD EFFICIENCY							
	MODEL NUMBER (YCIV ___ S/P)							
GENERAL UNIT DATA	60Hz	0157	0177	0187	0207	0227	0247	0267
NUMBER OF INDEPENDENT REFRIGERANT CIRCUITS	2	2	2	2	2	2	2	2
REFRIGERANT CHARGE, R-134A, CKT.-1/CKT.-2, LBS	162/162	170/170	185/170	192/175	192/192	230/195	230/230	
OIL CHARGE, CKT.-1/CKT.-2, GAL.	5/5	5/5	5/5	5/5	5/5	5/5	5/5	5/5
COMPRESSORS, SEMI-HERMETIC SCREW QTY PER CHILLER	2	2	2	2	2	2	2	2
CONDENSERS, HIGH EFFICIENCY FIN/TUBE WITH INTEGRAL SUBCOOLER								
TOTAL CHILLER COIL FACE AREA, FT ²	235	235	264	264	293	323	352	
NUMBER OF ROWS	3	3	3	3	3	3	3	3
FINS PER INCH	17	17	17	17	17	17	17	17
CONDENSER FANS								
NUMBER, CKT.-1/CKT.-2	4/4	4/4	5/4	5/4	5/5	6/5	6/6	
LOW NOISE FANS								
FAN MOTOR, HP	2	2	2	2	2	2	2	2
TOTAL CHILLER AIRFLOW, CFM	104000	104000	117000	117000	130000	143000	156000	
ULTRA QUIET FANS								
FAN MOTOR, HP	2	2	2	2	2	2	2	2
TOTAL CHILLER AIRFLOW, CFM	104000	104000	117000	117000	130000	143000	156000	
DUAL SPEED FANS - NORMAL SPEED								
FAN MOTOR, HP	2	2	2	2	2	2	2	2
TOTAL CHILLER, CFM	88000	88000	99000	99000	110000	121000	132000	
DUAL SPEED FANS - LOWER SPEED								
FAN MOTOR, HP	2	2	2	2	2	2	2	2
TOTAL CHILLER, CFM	67200	67200	75600	75600	84000	92400	100800	
HIGH STATIC FANS								
FAN MOTOR, HP	5	5	5	5	5	5	5	5
TOTAL CHILLER, CFM	104000	104000	117000	117000	130000	143000	156000	
EVAPORATOR, DIRECT EXPANSION								
WATER VOLUME, GALS.	67.0	95.0	95.0	140.0	140.0	140.0	140.0	140.0
MAXIMUM WATER SIDE PRESSURE, PSIG ¹	150	150	150	150	150	150	150	150
MAXIMUM REFRIGERANT SIDE PRESSURE, PSIG	235	235	235	235	235	235	235	235
MINIMUM CHILLED WATER FLOW RATE, GPM	140	160	160	180	180	180	180	180
MAXIMUM CHILLED WATER FLOW RATE, GPM	675	750	750	800	800	800	800	800
WATER CONNECTIONS, INCHES	8	10	10	10	10	10	10	10

Contact your nearest Johnson Controls Sales Office for weight data.

REFRIGERANT R-134A	STANDARD EFFICIENCY					
	MODEL NUMBER (YCIV ___ S/P)					
	60Hz	0287	0307	0357	0397	0457
GENERAL UNIT DATA						
NUMBER OF INDEPENDENT REFRIGERANT CIRCUITS		3	3	3	3	4
REFRIGERANT CHARGE, R-134A, CKT.-1/CKT.-2, LBS		185/170/170	185/185/170	185/185/230	230/230/230	310/310/300/300
OIL CHARGE, CKT.-1/CKT.-2, GAL.		5/4/4	5/4/4	5/5/5	5/5/5	5/5/5/5
GLYCOL CHARGE (43% CONCENTRATION), GAL		5.4	5.5	6.0	6.3	4.3
COMPRESSORS, SEMI-HERMETIC SCREW QTY PER CHILLER		3	3	3	3	4
CONDENSERS, HIGH EFFICIENCY FIN/TUBE WITH INTEGRAL SUBCOOLER						
TOTAL CHILLER COIL FACE AREA, FT ²		381	411	469	528	528
NUMBER OF ROWS		3	3	3	3	4
FINS PER INCH		17	17	17	17	17
CONDENSER FANS						
NUMBER, CKT.-1/CKT.-2		5/4/4	5/4/4	5/5/6	6/6/6	6/6/3/3
LOW NOISE FANS						
FAN MOTOR, HP/KWI		2/1.8	2/1.8	2/1.8	2/1.8	2/1.8
TOTAL CHILLER AIRFLOW, CFM		169000	182000	208000	234000	234000
ULTRA QUIET FANS						
FAN MOTOR, HP/KWI		2/1.50	2/1.50	2/1.50	2/1.50	2/1.5
TOTAL CHILLER AIRFLOW, CFM		169000	182000	208000	234000	234000
DUAL SPEED FANS - NORMAL SPEED						
FAN MOTOR, HP		2	2	2	2	2
TOTAL CHILLER, CFM		143000	143000	165000	165000	165000
DUAL SPEED FANS - LOWER SPEED						
FAN MOTOR, HP		2	2	2	2	2
TOTAL CHILLER, CFM		109200	109200	126000	126000	126000
HIGH STATIC FANS						
FAN MOTOR, HP		5	5	5	5	5
TOTAL CHILLER, CFM		169000	182000	208000	234000	234000
EVAPORATOR, DIRECT EXPANSION						
WATER VOLUME, GALS.		202.0	236.0	236.0	236.0	318
MAXIMUM WATER SIDE PRESSURE, PSIG		150	150	150	150	150
MAXIMUM REFRIGERANT SIDE PRESSURE, PSIG		235	235	235	235	235
MINIMUM CHILLED WATER FLOW RATE, GPM		250	300	300	300	400
MAXIMUM CHILLED WATER FLOW RATE, GPM		1200	1200	1200	1200	1400
WATER CONNECTIONS, INCHES		10	10	10	10	10

Contact your nearest Johnson Controls Sales Office for weight data.

JOHNSON CONTROLS

Physical Data (English - High Efficiency)

FORM 201.23-EG1 (1013)

REFRIGERANT R-134A	HIGH EFFICIENCY							
	MODEL NUMBER (YCIV ___ E/V)							
GENERAL UNIT DATA	60Hz	0157	0177	0187	0197	0207	0227	0247
NUMBER OF INDEPENDENT REFRIGERANT CIRCUITS	2	2	2	2	2	2	2	2
REFRIGERANT CHARGE, R-134A, CKT.-1/CKT.-2, LBS	170/170	185/170	185/185	192/192	225/192	225/225	230/230	
OIL CHARGE, CKT.-1/CKT.-2, GAL.	5/5	5/5	5/5	5/5	5/5	5/5	5/5	5/5
COMPRESSORS, SEMIHERMETIC SCREW QTY PER CHILLER	2	2	2	2	2	2	2	2
CONDENSERS, HIGH EFFICIENCY FIN/TUBE WITH INTEGRAL SUBCOOLER								
TOTAL CHILLER COIL FACE AREA, FT ²	235	264	293	293	323	352	352	
NUMBER OF ROWS	3	3	3	3	3	3	3	3
FINS PER INCH	17	17	17	17	17	17	17	17
CONDENSER FANS								
NUMBER, CKT.-1/CKT.-2	4/4	5/4	5/5	5/5	6/5	6/6	6/6	
LOW NOISE FANS								
FAN MOTOR, HP	2	2	2	2	2	2	2	2
TOTAL CHILLER AIRFLOW, CFM	104000	117000	130000	130000	143000	156000	156000	
ULTRA QUIET FANS								
FAN MOTOR, HP	2	2	2	2	2	2	2	2
TOTAL CHILLER AIRFLOW, CFM	104000	117000	130000	130000	143000	156000	156000	
DUAL SPEED FANS - NORMAL SPEED								
FAN MOTOR, HP	2	2	2	2	2	2	2	2
TOTAL CHILLER, CFM	88000	99000	110000	110000	121000	132000	132000	
DUAL SPEED FANS - LOWER SPEED								
FAN MOTOR, HP	2	2	2	2	2	2	2	2
TOTAL CHILLER, CFM	67200	75600	84000	84000	92400	100800	100800	
HIGH STATIC FANS								
FAN MOTOR, HP	5	5	5	5	5	5	5	5
TOTAL CHILLER, CFM	104000	117000	130000	130000	143000	156000	156000	
EVAPORATOR, DIRECT EXPANSION								
WATER VOLUME, GALS.	95.0	95.0	95.0	110.0	110.0	110.0	140.0	
MAXIMUM WATER SIDE PRESSURE, PSIG ¹	150	150	150	150	150	150	150	150
MAXIMUM REFRIGERANT SIDE PRESSURE, PSIG	235	235	235	235	235	235	235	235
MINIMUM CHILLED WATER FLOW RATE, GPM	160	160	160	180	180	180	180	180
MAXIMUM CHILLED WATER FLOW RATE, GPM	750	750	750	750	750	750	750	800
WATER CONNECTIONS, INCHES	10	10	10	10	10	10	10	10

REFRIGERANT R-134A	HIGH EFFICIENCY				
	MODEL NUMBER (YCIV ____ E/V)				
GENERAL UNIT DATA	60Hz	0267	0287	0327	0357
NUMBER OF INDEPENDENT REFRIGERANT CIRCUITS		3	3	3	3
REFRIGERANT CHARGE, R-134A, CKT.-1/CKT.-2, LBS		185/185/170	185/185/230	185/185/230	230/230/230
OIL CHARGE, CKT.-1/CKT.-2, GAL.		5/5/4	5/5/5	5/5/5	5/5/5
GLYCOL CHARGE (43% CONCENTRATION), GAL		5.5	5.7	6.0	6.3
COMPRESSORS, SEMIHERMETIC SCREW QTY PER CHILLER		3	3	3	3
CONDENSERS, HIGH EFFICIENCY FIN/TUBE WITH INTEGRAL SUBCOOLER					
TOTAL CHILLER COIL FACE AREA, FT ²		411	469	469	528
NUMBER OF ROWS		3	3	3	3
FINS PER INCH		17	17	17	17
CONDENSER FANS					
NUMBER, CKT.-1/CKT.-2		5/5/4	5/5/6	5/5/6	6/6/6
LOW NOISE FANS					
FAN MOTOR, HP/KWI		2/1.8	2/1.8	2/1.8	2/1.8
TOTAL CHILLER AIRFLOW, CFM		182000	208000	208000	234000
ULTRA QUIET FANS					
FAN MOTOR, HP/KWI		2/1.50	2/1.50	2/1.50	2/1.50
TOTAL CHILLER AIRFLOW, CFM		182000	208000	208000	234000
DUAL SPEED FANS - NORMAL SPEED					
FAN MOTOR, HP		2	2	2	2
TOTAL CHILLER, CFM		154000	176000	176000	198000
DUAL SPEED FANS - LOWER SPEED					
FAN MOTOR, HP		2	2	2	2
TOTAL CHILLER, CFM		117600	134400	134400	151200
HIGH STATIC FANS					
FAN MOTOR, HP		5	5	5	5
TOTAL CHILLER, CFM		195000	247000	247000	273000
EVAPORATOR, DIRECT EXPANSION					
WATER VOLUME, GALS.		202.0	202.0	236.0	236.0
MAXIMUM WATER SIDE PRESSURE, PSIG		150	150	150	150
MAXIMUM REFRIGERANT SIDE PRESSURE, PSIG		235	235	235	235
MINIMUM CHILLED WATER FLOW RATE, GPM		250	250	300	300
MAXIMUM CHILLED WATER FLOW RATE, GPM		1200	1200	1200	1200
WATER CONNECTIONS, INCHES		10	10	10	10

Contact your nearest Johnson Controls Sales Office for weight data.

Physical Data (SI - Standard Efficiency)

FORM 201.23-EG1 (1013)

REFRIGERANT R-134A	STANDARD EFFICIENCY							
	MODEL NUMBER (YCIV ___ S/P)							
GENERAL UNIT DATA	60HZ	0157	0177	0187	0207	0227	0247	0267
NUMBER OF INDEPENDENT REFRIGERANT CIRCUITS	2	2	2	2	2	2	2	2
REFRIGERANT CHARGE, R-134A, CKT.-1/CKT.-2, KG.	74/74	77/77	84/77	87/80	87/87	105/89	105/105	
OIL CHARGE, CKT.-1/CKT.-2, LITERS	19/19	19/19	19/19	19/19	19/19	19/19	19/19	19/19
COMPRESSORS, SEMIHERMETIC SCREW QTY PER CHILLER	2	2	2	2	2	2	2	2
CONDENSERS, HIGH EFFICIENCY FIN/TUBE WITH INTEGRAL SUBCOOLER								
TOTAL CHILLER COIL FACE AREA, M ²	21.8	21.8	24.5	24.5	27.2	30.0	32.7	
NUMBER OF ROWS	3	3	3	3	3	3	3	3
FINS PER METER	669	669	669	669	669	669	669	669
CONDENSER FANS								
NUMBER, CKT.-1/CKT.-2	4/4	4/4	5/4	5/4	5/5	6/5	6/6	
LOW NOISE FANS								
FAN MOTOR, HP/KWI	2/1.50	2/1.50	2/1.50	2/1.50	2/1.50	2/1.50	2/1.50	2/1.50
TOTAL CHILLER AIRFLOW, L/SEC.	49082	49082	55218	55218	61353	67488	73624	
ULTRA QUIET FANS								
FAN MOTOR, HP/KWI	2/1.50	2/1.50	2/1.50	2/1.50	2/1.50	2/1.50	2/1.50	2/1.50
TOTAL CHILLER AIRFLOW, L/SEC.	49082	49082	55218	55218	61353	67488	73624	
DUAL SPEED FANS - NORMAL SPEED								
FAN, KWI	1.5	1.5	1.5	1.5	1.5	1.5	1.5	1.5
TOTAL CHILLER, M ³ /S	42	42	47	47	52	57	62	
DUAL SPEED FANS - LOWER SPEED								
FAN, KWI	1.5	1.5	1.5	1.5	1.5	1.5	1.5	1.5
TOTAL CHILLER, M ³ /S	32	32	36	36	40	44	48	
HIGH STATIC FANS								
FAN, KWI	3.7	3.7	3.7	3.7	3.7	3.7	3.7	3.7
TOTAL CHILLER, M ³ /S	49	49	55	55	61	67	74	
EVAPORATOR, DIRECT EXPANSION								
WATER VOLUME, LITERS	253.6	359.6	359.6	529.9	529.9	529.9	529.9	529.9
MAXIMUM WATER SIDE PRESSURE, BAR ¹	10	10	10	10	10	10	10	10
MAXIMUM REFRIGERANT SIDE PRESSURE, BAR	16	16	16	16	16	16	16	16
MINIMUM CHILLED WATER FLOW RATE, L/SEC.	8.8	10.1	10.1	11.4	11.4	11.4	11.4	11.4
MAXIMUM CHILLED WATER FLOW RATE, L/SEC.	42.6	47.3	47.3	50.5	50.5	50.5	50.5	50.5
WATER CONNECTIONS, INCHES	8	10	10	10	10	10	10	10

REFRIGERANT R-134A	STANDARD EFFICIENCY					
	MODEL NUMBER (YCIV ___ S/P)					
GENERAL UNIT DATA	60HZ	0287	0307	0357	0397	0457
NUMBER OF INDEPENDENT REFRIGERANT CIRCUITS		3	3	3	3	4
REFRIGERANT CHARGE, R-134A, CKT.-1/CKT.-2, KG.		84 / 77 / 77	84 / 84 / 77	84 / 84 / 105	105 / 105 / 105	142/142/137/137
OIL CHARGE, CKT.-1/CKT.-2, LITERS		19 / 15 / 15	19 / 19 / 15	19 / 19 / 19	19 / 19 / 19	19/19/19/19
GLYCOL CHARGE (43% CONCENTRATION), LITERS		0	0	0	0	0
COMPRESSORS, SEMIHERMETIC SCREW QTY PER CHILLER		3	3	3	3	4
CONDENSERS, HIGH EFFICIENCY FIN/TUBE WITH INTEGRAL SUBCOOLER						
TOTAL CHILLER COIL FACE AREA, M ²		35	38	44	49	49
NUMBER OF ROWS		3	3	3	3	4
FINS PER METER		669	669	669	669	669
CONDENSER FANS						
NUMBER, CKT.-1/CKT.-2		5/4/4	5/5/4	5/5/6	6/6/6	6/6/3/3
LOW NOISE FANS						
FAN MOTOR, HP/KWI		2/1.50	2/1.50	2/1.50	2/1.50	2/1.50
TOTAL CHILLER AIRFLOW, L/SEC.		79768	85904	98176	110448	110448
ULTRA QUIET FANS						
FAN MOTOR, HP/KWI		2/1.50	2/1.50	2/1.50	2/1.50	2/1.50
TOTAL CHILLER AIRFLOW, L/SEC.		79768	85904	98176	110448	110448
DUAL SPEED FANS - NORMAL SPEED						
FAN, KWI		1.5	1.5	1.5	1.5	1.5
TOTAL CHILLER, M ³ /S		67	67	78	78	78
DUAL SPEED FANS - LOWER SPEED						
FAN, KWI		1.5	1.5	1.5	1.5	1.5
TOTAL CHILLER, M ³ /S		52	52	59	59	59
HIGH STATIC FANS						
FAN, KWI		3.7	3.7	3.7	3.7	3.7
TOTAL CHILLER, M ³ /S		80	86	98	110	110
EVAPORATOR, DIRECT EXPANSION						
WATER VOLUME, LITERS		764.6	893.3	893.3	893.3	318
MAXIMUM WATER SIDE PRESSURE, BAR		10	10	10	10	10
MAXIMUM REFRIGERANT SIDE PRESSURE, BAR		16	16	16	16	16
MINIMUM CHILLED WATER FLOW RATE, L/SEC.		16	19	19	19	25
MAXIMUM CHILLED WATER FLOW RATE, L/SEC.		76	76	76	76	89
WATER CONNECTIONS, INCHES		10	10	10	10	10

Contact your nearest Johnson Controls Sales Office for weight data.

Physical Data (SI - High Efficiency)

FORM 201.23-EG1 (1013)

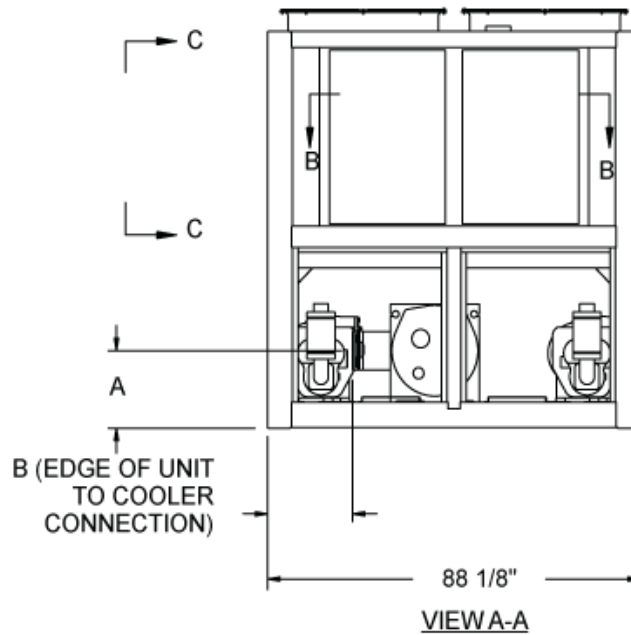
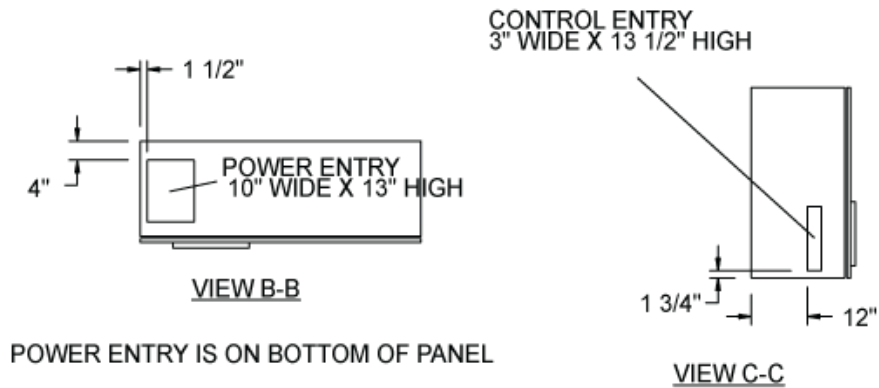
REFRIGERANT R-134A	HIGH EFFICIENCY							
	MODEL NUMBER (YCIV ___ E/V)							
GENERAL UNIT DATA	60HZ	0157	0177	0187	0197	0207	0227	0247
NUMBER OF INDEPENDENT REFRIGERANT CIRCUITS	2	2	2	2	2	2	2	2
REFRIGERANT CHARGE, R-134A, CKT.-1/CKT.-2, KG.	77/77	84/77	84/84	87/87	102/87	102/102	105/105	
OIL CHARGE, CKT.-1/CKT.-2, LITERS	19/19	19/19	19/19	19/19	19/19	19/19	19/19	
COMPRESSORS, SEMIHERMETIC SCREW QTY PER CHILLER	2	2	2	2	2	2	2	
CONDENSERS, HIGH EFFICIENCY FIN/TUBE WITH INTEGRAL SUBCOOLER								
TOTAL CHILLER COIL FACE AREA, M ²	21.8	24.5	27.2	27.2	30.0	32.7	32.7	
NUMBER OF ROWS	3	3	3	3	3	3	3	
FINS PER METER	669	669	669	669	669	669	669	
CONDENSER FANS								
NUMBER, CKT.-1/CKT.-2	4/4	5/4	5/5	5/5	6/5	6/6	6/6	
LOW SOUND FANS								
FAN MOTOR, HP/KWI	2/1.50	2/1.50	2/1.50	2/1.50	2/1.50	2/1.50	2/1.50	
TOTAL CHILLER AIRFLOW, L/SEC.	49082	55218	61353	61353	67488	73624	73624	
ULTRA QUIET FANS								
FAN MOTOR, HP/KWI	2/1.50	2/1.50	2/1.50	2/1.50	2/1.50	2/1.50	2/1.50	
TOTAL CHILLER AIRFLOW, L/SEC.	49082	55218	61353	61353	67488	73624	73624	
DUAL SPEED FANS - NORMAL SPEED								
FAN, KWI	1.5	1.5	1.5	1.5	1.5	1.5	1.5	
TOTAL CHILLER, M ³ /S	42	47	52	52	57	62	62	
DUAL SPEED FANS - LOWER SPEED								
FAN, KWI	1.5	1.5	1.5	1.5	1.5	1.5	1.5	
TOTAL CHILLER, M ³ /S	32	36	40	40	44	48	48	
HIGH STATIC FANS								
FAN, KWI	3.7	3.7	3.7	3.7	3.7	3.7	3.7	
TOTAL CHILLER, M ³ /S	49	55	61	61	67	74	74	
EVAPORATOR, DIRECT EXPANSION								
WATER VOLUME, LITERS	359.6	359.6	359.6	416.4	416.4	416.4	529.9	
MAXIMUM WATER SIDE PRESSURE, BAR ¹	10	10	10	10	10	10	10	
MAXIMUM REFRIGERANT SIDE PRESSURE, BAR	16	16	16	16	16	16	16	
MINIMUM CHILLED WATER FLOW RATE, L/SEC.	10.1	10.1	10.1	11.4	11.4	11.4	11.4	
MAXIMUM CHILLED WATER FLOW RATE, L/SEC.	47.3	47.3	47.3	47.3	47.3	47.3	50.5	
WATER CONNECTIONS, INCHES	10	10	10	10	10	10	10	

Contact your nearest Johnson Controls Sales Office for weight data.

REFRIGERANT R-134A	HIGH EFFICIENCY				
	MODEL NUMBER (YCIV ___ E/V)				
GENERAL UNIT DATA	60Hz	0267	0287	0327	0357
NUMBER OF INDEPENDENT REFRIGERANT CIRCUITS		3	3	3	3
REFRIGERANT CHARGE, R-134A, CKT.-1/CKT.-2, KG.		84 / 84 / 77	84 / 84 / 105	84 / 84 / 105	105 / 105 / 105
OIL CHARGE, CKT.-1/CKT.-2, LITERS		19 / 19 / 15	19 / 19 / 19	19 / 19 / 19	19 / 19 / 19
GLYCOL CHARGE (43% CONCENTRATION), LITERS		0	0	0	0
COMPRESSORS, SEMIHERMETIC SCREW QTY PER CHILLER		3	3	3	3
CONDENSERS, HIGH EFFICIENCY FIN/TUBE WITH INTEGRAL SUBCOOLER					
TOTAL CHILLER COIL FACE AREA, M ²		38	44	44	49
NUMBER OF ROWS		3	3	3	3
FINS PER METER		669	669	669	669
CONDENSER FANS					
NUMBER, CKT.-1/CKT.-2		05/05/04	05/05/06	05/05/06	06/06/06
LOW NOISE FANS					
FAN MOTOR, HP/KWI		2/1.50	2/1.50	2/1.50	2/1.50
TOTAL CHILLER AIRFLOW, L/SEC.		85904	98176	98176	110448
ULTRA QUIET FANS					
FAN MOTOR, HP/KWI		2/1.50	2/1.50	2/1.50	2/1.50
TOTAL CHILLER AIRFLOW, L/SEC.		85904	98176	98176	110448
DUAL SPEED FANS - NORMAL SPEED					
FAN, KWI		1.5	1.5	1.5	1.5
TOTAL CHILLER, M ³ /S		73	83	83	93
DUAL SPEED FANS - LOWER SPEED					
FAN, KWI		1.5	1.5	1.5	1.5
TOTAL CHILLER, M ³ /S		56	63	63	71
HIGH STATIC FANS					
FAN, KWI		3.7	3.7	3.7	3.7
TOTAL CHILLER, M ³ /S		92	117	117	129
EVAPORATOR, DIRECT EXPANSION					
WATER VOLUME, LITERS		764.6	764.6	893.3	893.3
MAXIMUM WATER SIDE PRESSURE, BAR		10	10	10	10
MAXIMUM REFRIGERANT SIDE PRESSURE, BAR		16	16	16	16
MINIMUM CHILLED WATER FLOW RATE, L/SEC.		16	16	19	19
MAXIMUM CHILLED WATER FLOW RATE, L/SEC.		76	76	76	76
WATER CONNECTIONS, INCHES		10	10	10	10

Contact your nearest Johnson Controls Sales Office for weight data.

Models YCIV0157E/V and YCIV0157S/P

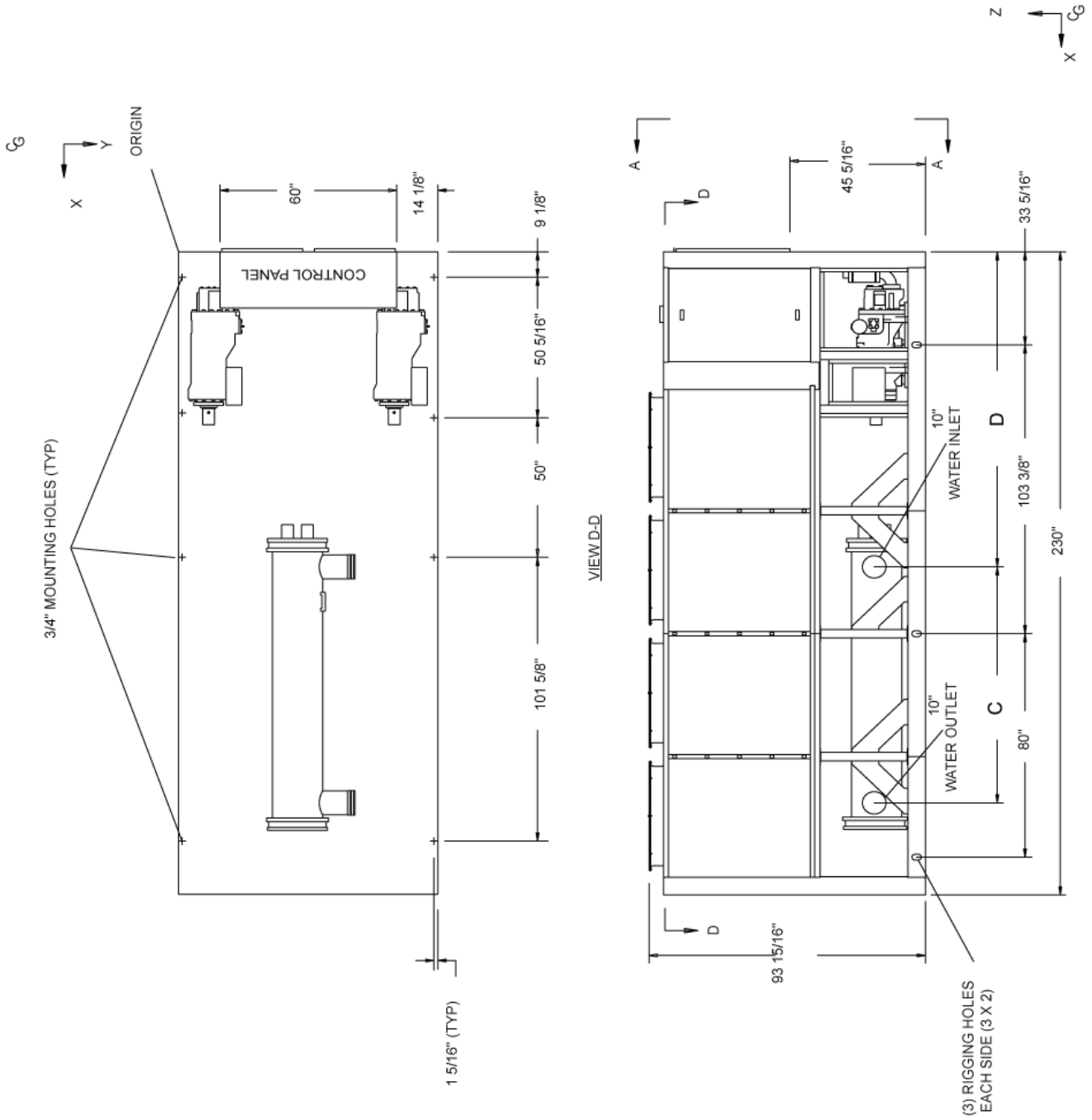


YCIV	A	B	C	D
0157E/V	19.1"	28.1"	84.5"	112.8"
0157S/P	17.4"	29.1"	90.0"	110.1"

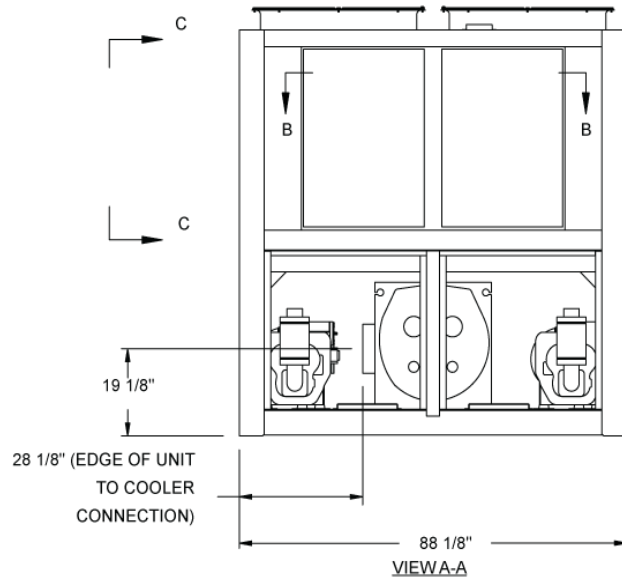
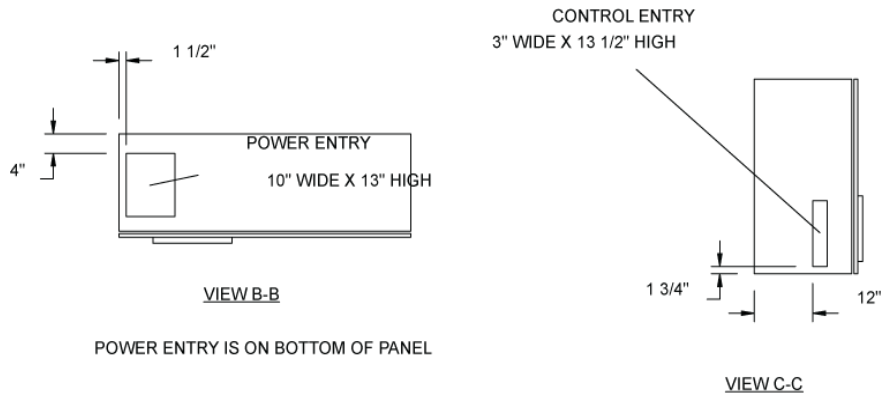
Notes:

1. Placement on a level surface free of obstructions (including snow, for winter operation) or air recirculation ensures rated performance, reliable operation, and ease of maintenance. Site restrictions may compromise minimum clearances indicated below, resulting in unpredictable air patterns and possible diminished performance. Johnson Controls' unit controls will optimize the operation without nuisance high pressure safety cutouts; however, the system designer **MUST** consider potential performance degradation.

Access to the unit control center stipulates the unit is no higher than on spring isolators. Recommended minimum clearances: side to wall - 6'; rear to wall - 6'; control panel end to wall - 4'; top - no obstructions whatsoever; distance between adjacent units - 10'. No more than one adjacent wall may be higher than the unit.



Models YCIV0177E/V, YCIV0177S/P, YCIV0187E/V and YCIV0187S/P

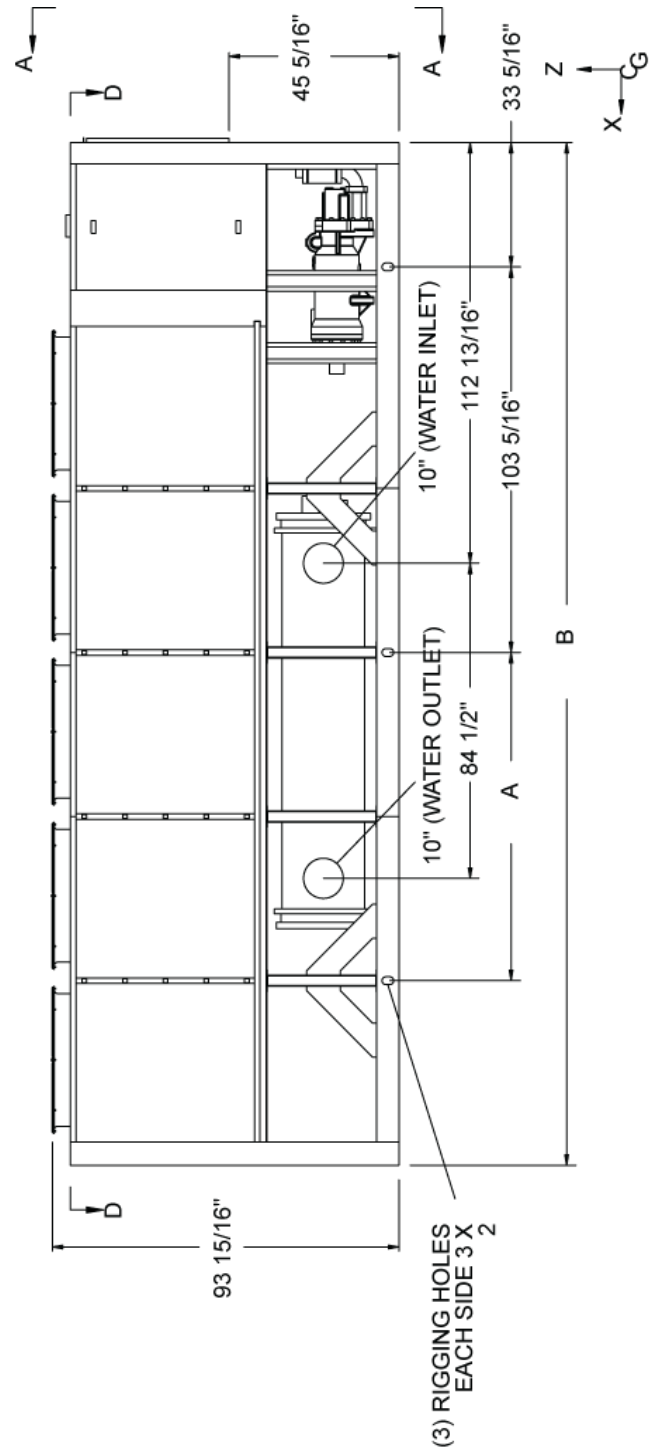
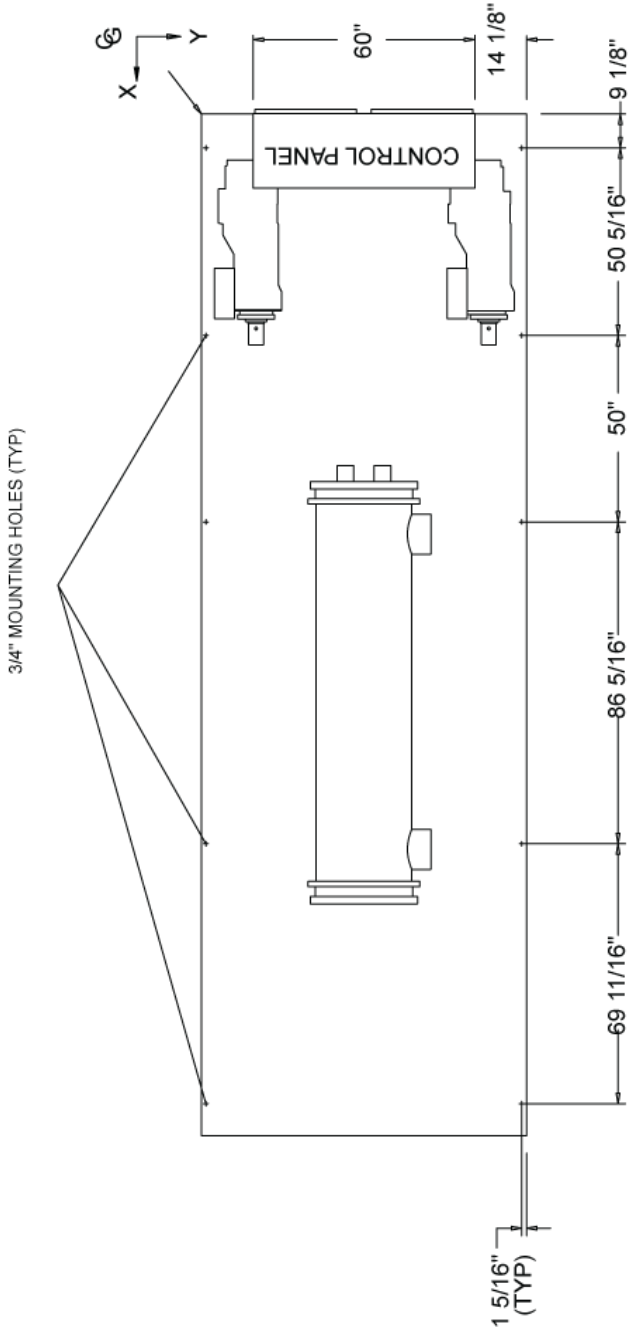


YCIV	A	B
0177E/V	88.1"	274.0"
0177S/P	80.0"	230.0"
0187E/V	88.1"	274.0"
0187S/P	88.1"	274.0"

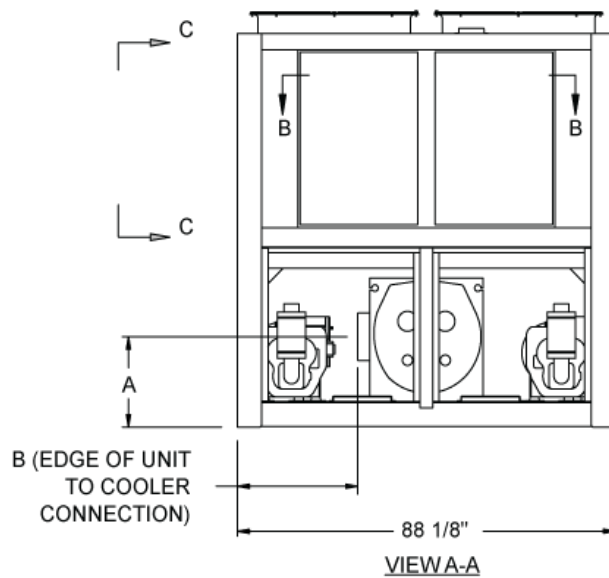
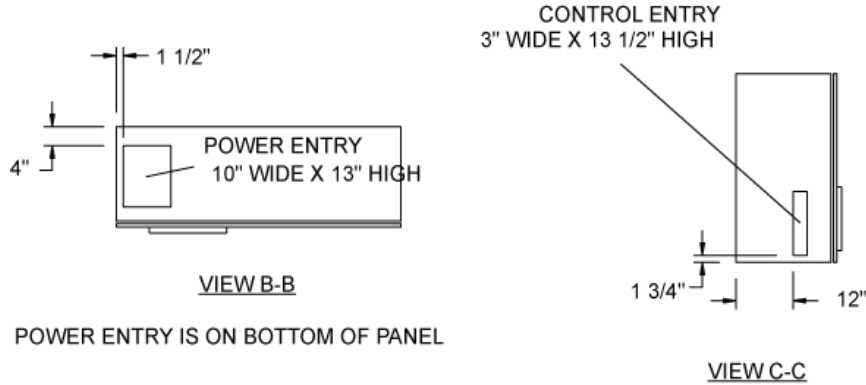
Notes:

1. Placement on a level surface free of obstructions (including snow, for winter operation) or air recirculation ensures rated performance, reliable operation, and ease of maintenance. Site restrictions may compromise minimum clearances indicated below, resulting in unpredictable air patterns and possible diminished performance. Johnson Controls' unit controls will optimize the operation without nuisance high pressure safety cutouts; however, the system designer **MUST** consider potential performance degradation.

Access to the unit control center stipulates the unit is no higher than on spring isolators. Recommended minimum clearances: side to wall - 6'; rear to wall - 6'; control panel end to wall - 4'; top - no obstructions whatsoever; distance between adjacent units - 10'. No more than one adjacent wall may be higher than the unit.



Models YCIV0197E/V, YCIV0207S/P, and YCIV0227S/P

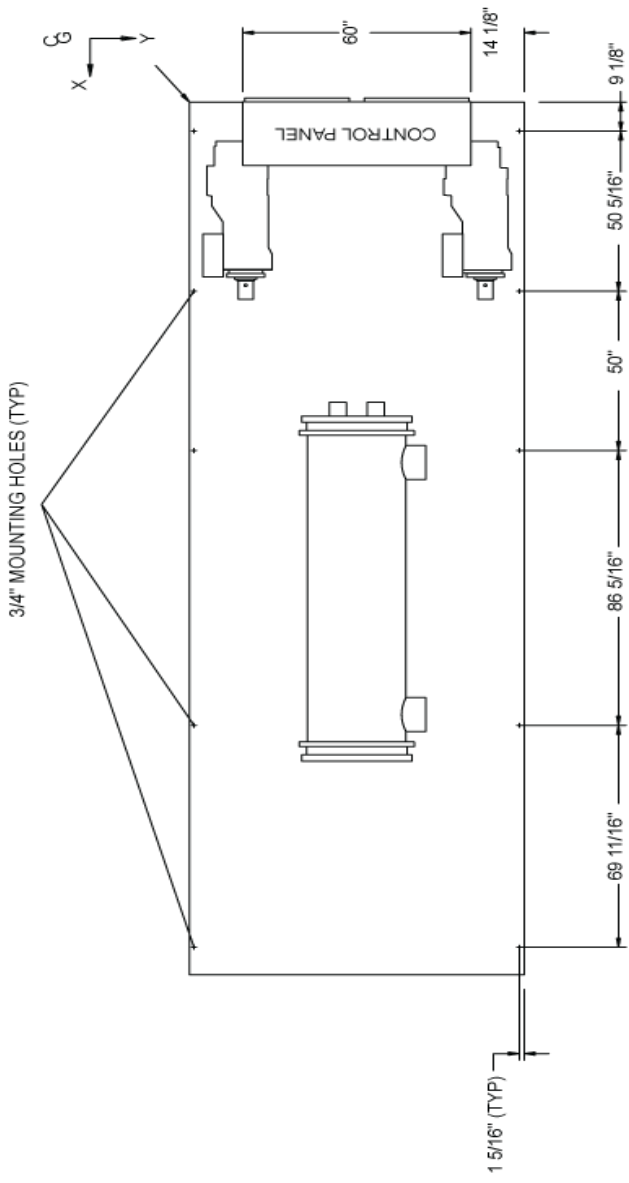


YCIV	A	B	C	D
0197E/V	20.4"	28.1"	85.6"	112.3"
0207S/P	22.2"	26.0"	79.1"	113.3"
0227S/P	22.2"	26.0"	79.1"	113.3"

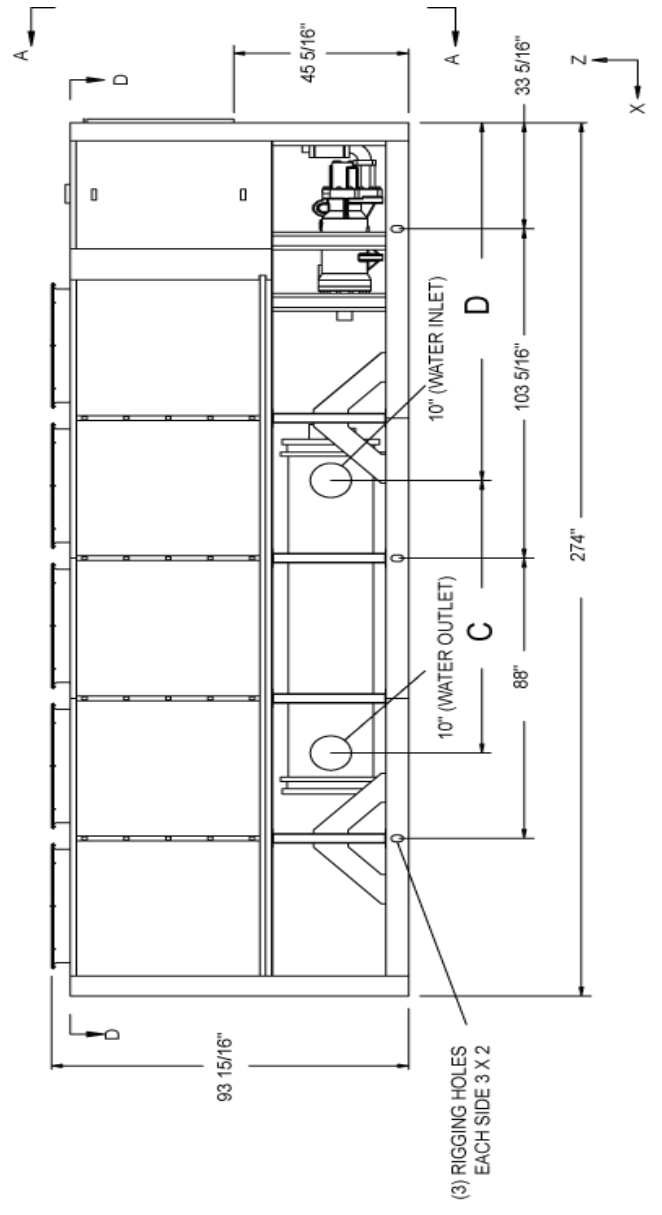
Notes:

1. Placement on a level surface free of obstructions (including snow, for winter operation) or air recirculation ensures rated performance, reliable operation, and ease of maintenance. Site restrictions may compromise minimum clearances indicated below, resulting in unpredictable air patterns and possible diminished performance. Johnson Controls' unit controls will optimize the operation without nuisance high pressure safety cutouts; however, the system designer **MUST** consider potential performance degradation.

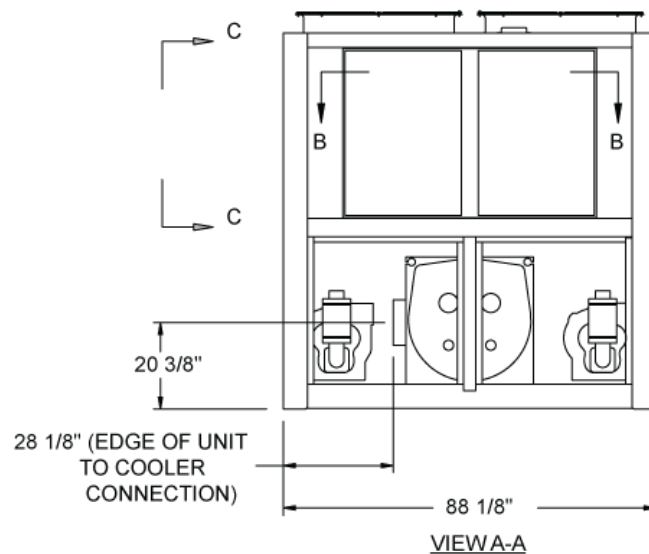
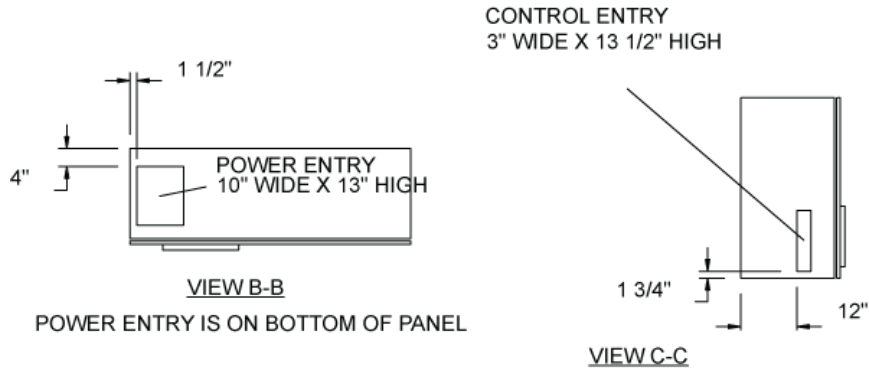
Access to the unit control center stipulates the unit is no higher than on spring isolators. Recommended minimum clearances: side to wall - 6'; rear to wall - 6'; control panel end to wall - 4'; top - no obstructions whatsoever; distance between adjacent units - 10'. No more than one adjacent wall may be higher than the unit.



VIEW D-D



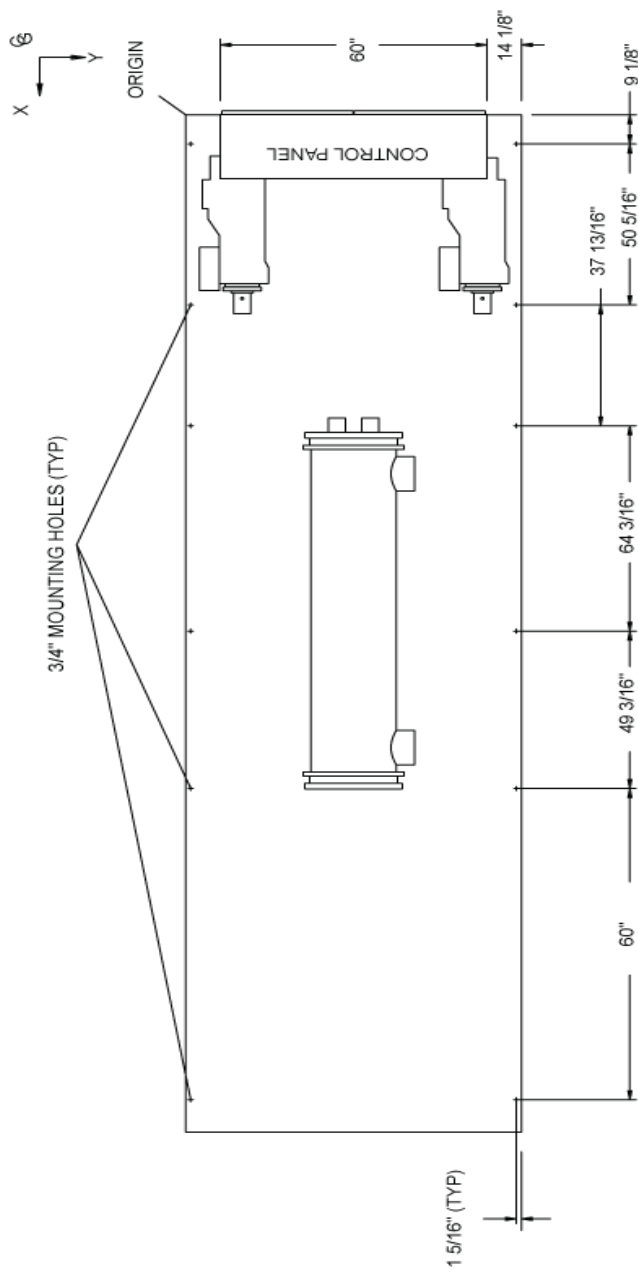
Models YCIV0207E/V and YCIV0227E/V



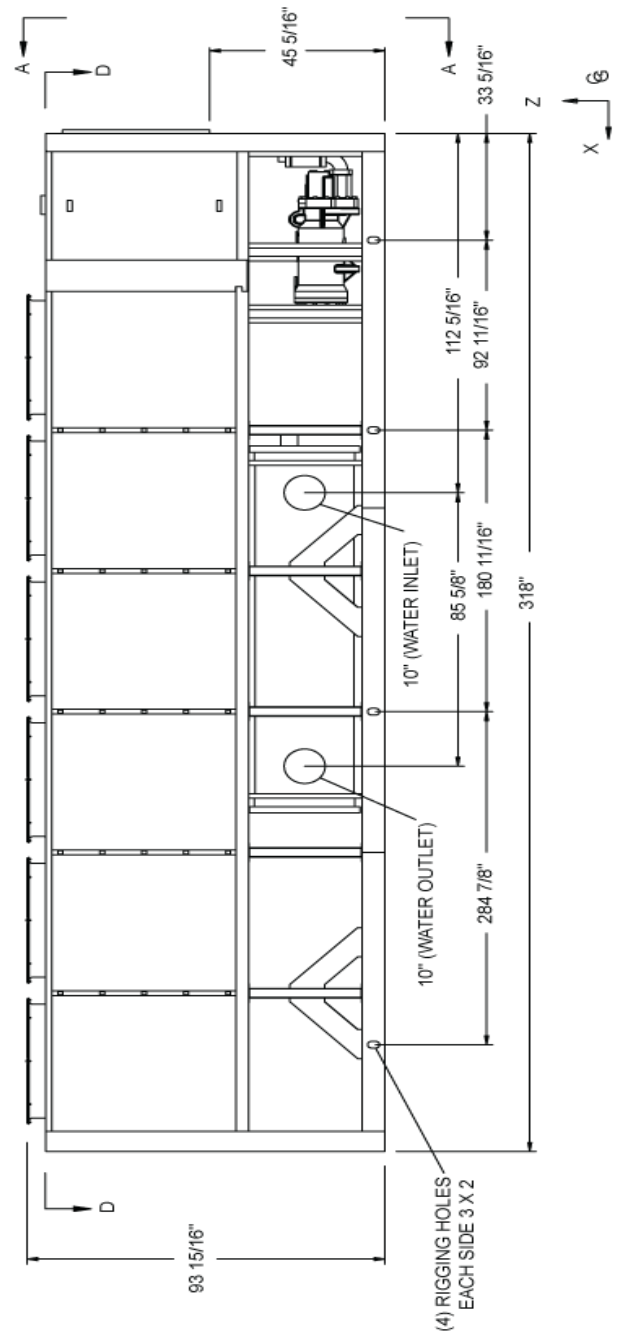
Notes:

1. Placement on a level surface free of obstructions (including snow, for winter operation) or air recirculation ensures rated performance, reliable operation, and ease of maintenance. Site restrictions may compromise minimum clearances indicated below, resulting in unpredictable air patterns and possible diminished performance. Johnson Controls' unit controls will optimize the operation without nuisance high pressure safety cutouts; however, the system designer **MUST** consider potential performance degradation.

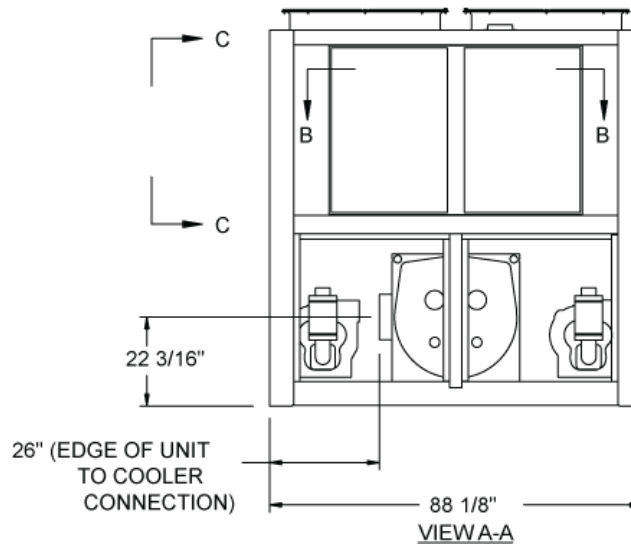
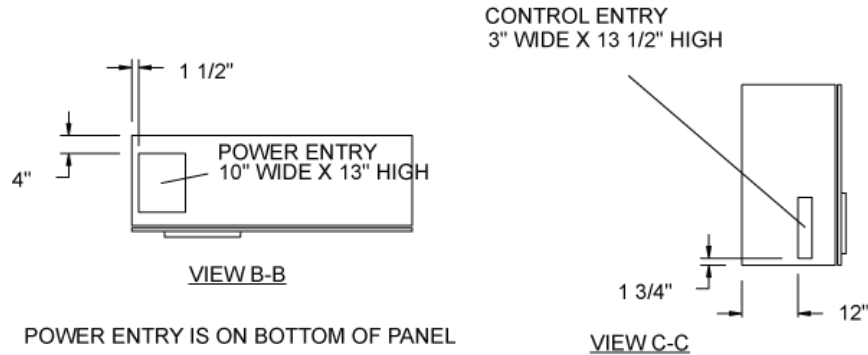
Access to the unit control center stipulates the unit is no higher than on spring isolators. Recommended minimum clearances: side to wall - 6'; rear to wall - 6'; control panel end to wall - 4'; top - no obstructions whatsoever; distance between adjacent units - 10'. No more than one adjacent wall may be higher than the unit.



VIEW D-D



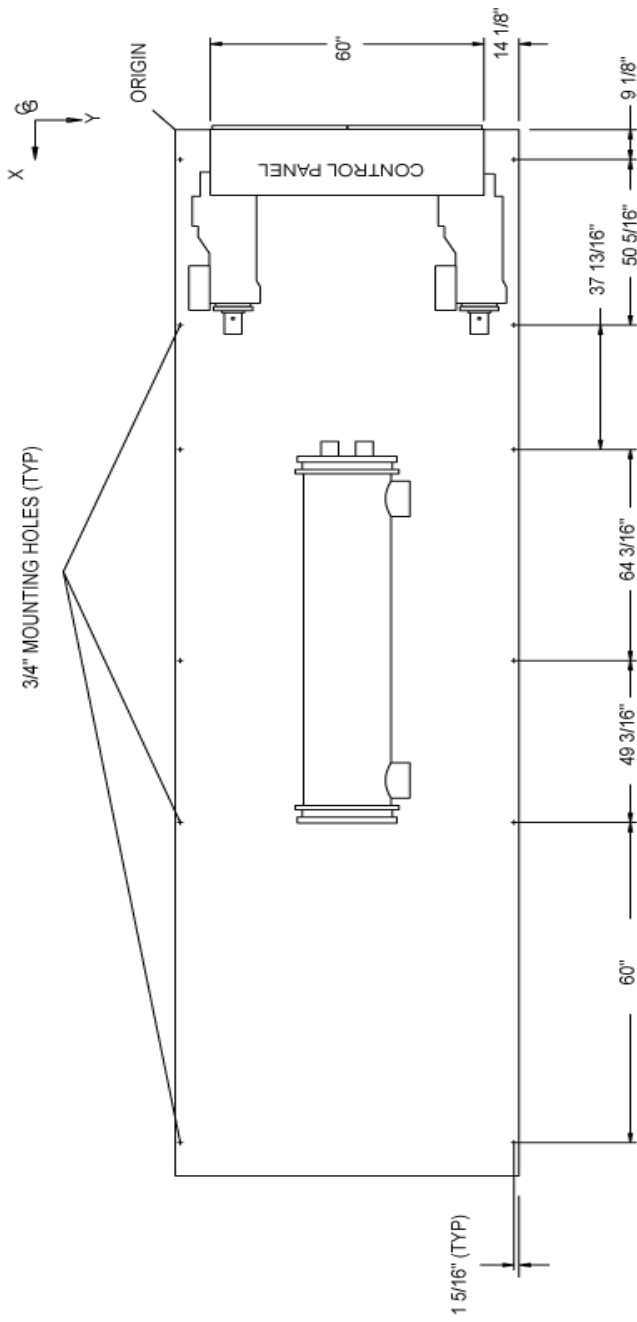
Models YCIV0247S/P, YCIV0247E/V, and YCIV0267S/P



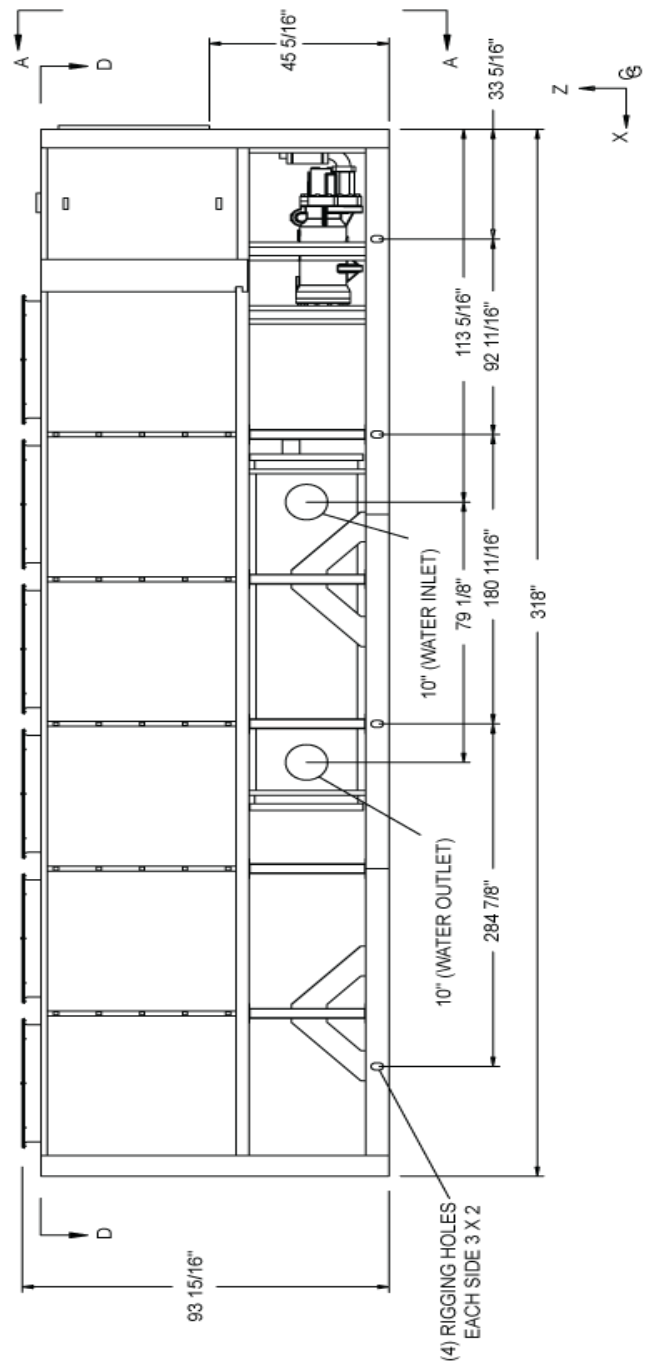
Notes:

1. Placement on a level surface free of obstructions (including snow, for winter operation) or air recirculation ensures rated performance, reliable operation, and ease of maintenance. Site restrictions may compromise minimum clearances indicated below, resulting in unpredictable air patterns and possible diminished performance. Johnson Controls' unit controls will optimize the operation without nuisance high pressure safety cutouts; however, the system designer **MUST** consider potential performance degradation.

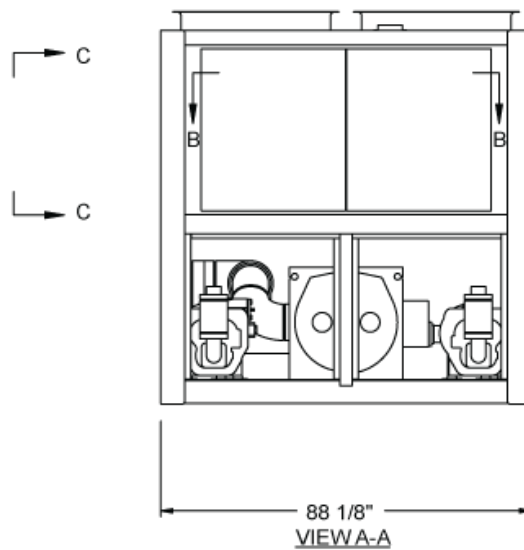
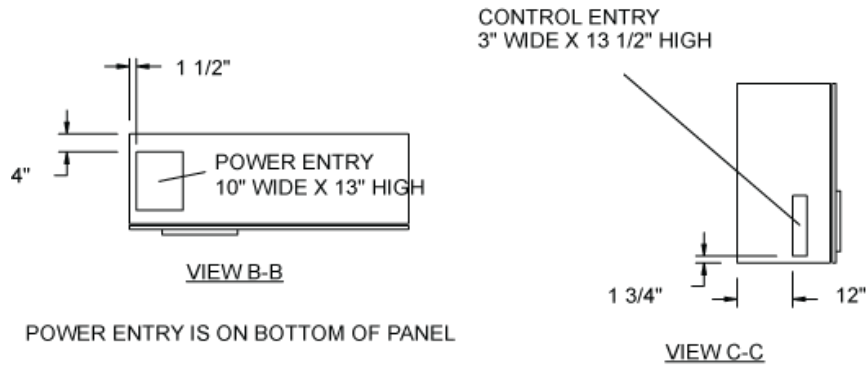
Access to the unit control center stipulates the unit is no higher than on spring isolators. Recommended minimum clearances: side to wall - 6'; rear to wall - 6'; control panel end to wall - 4'; top - no obstructions whatsoever; distance between adjacent units - 10'. No more than one adjacent wall may be higher than the unit.



VIEW D-D



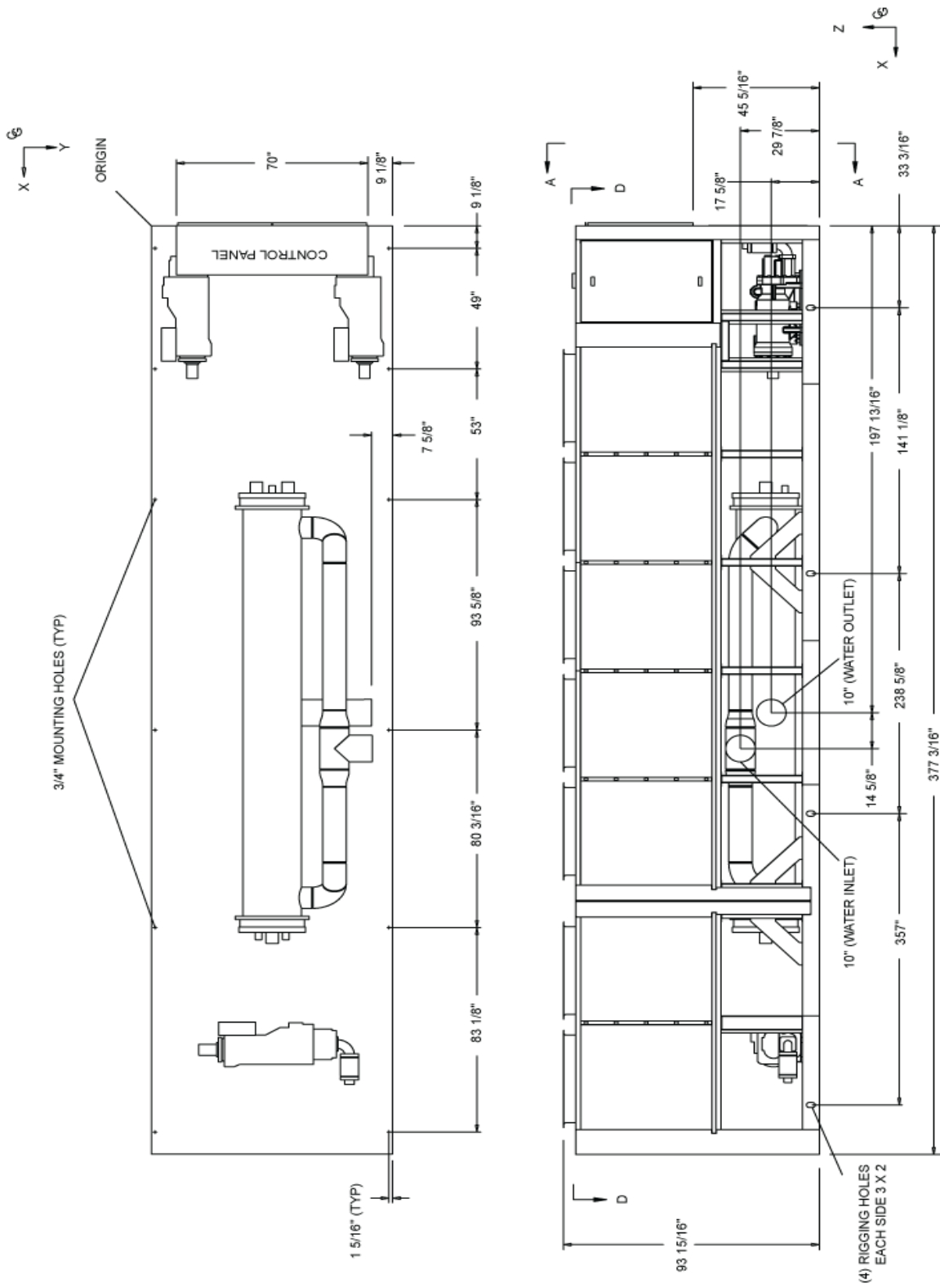
Models YCIV0267E/V, and YCIV0287S/P



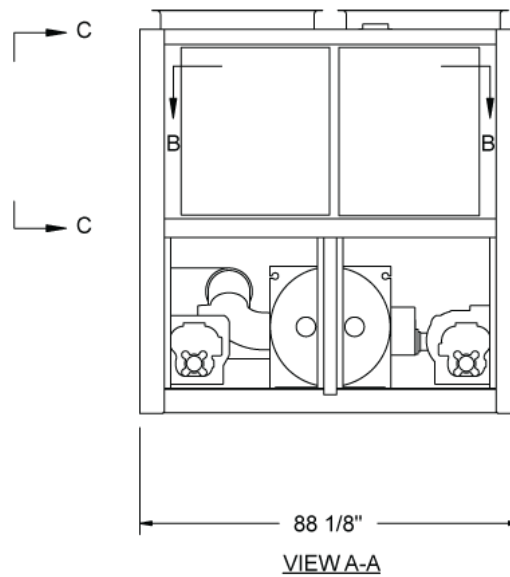
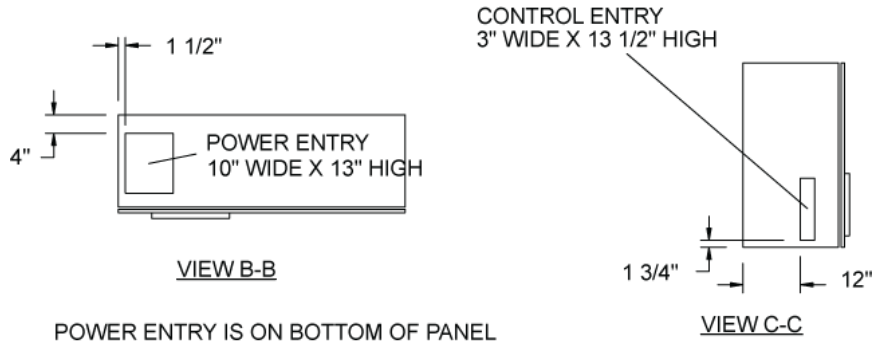
Notes:

1. Placement on a level surface free of obstructions (including snow, for winter operation) or air recirculation ensures rated performance, reliable operation, and ease of maintenance. Site restrictions may compromise minimum clearances indicated below, resulting in unpredictable air patterns and possible diminished performance. Johnson Controls' unit controls will optimize the operation without nuisance high pressure safety cutouts; however, the system designer **MUST** consider potential performance degradation.

Access to the unit control center stipulates the unit is no higher than on spring isolators. Recommended minimum clearances: side to wall - 6'; rear to wall - 6'; control panel end to wall - 4'; top - no obstructions whatsoever; distance between adjacent units - 10'. No more than one adjacent wall may be higher than the unit.



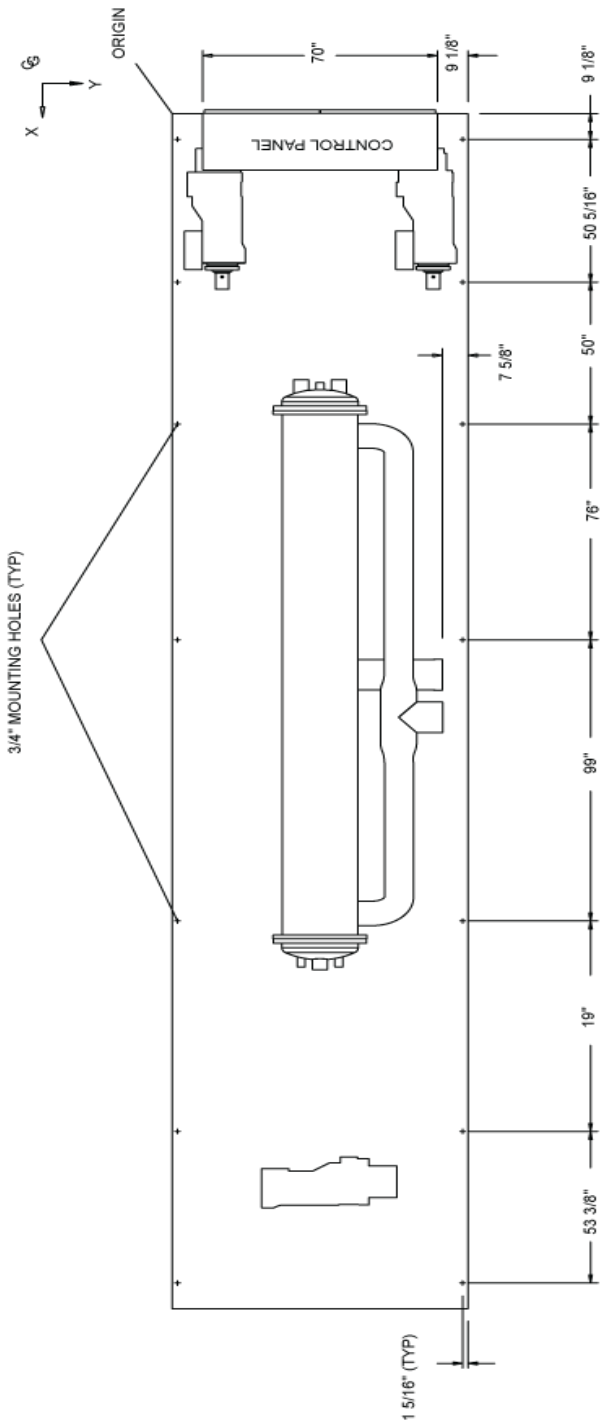
Models YCIV0287E/V



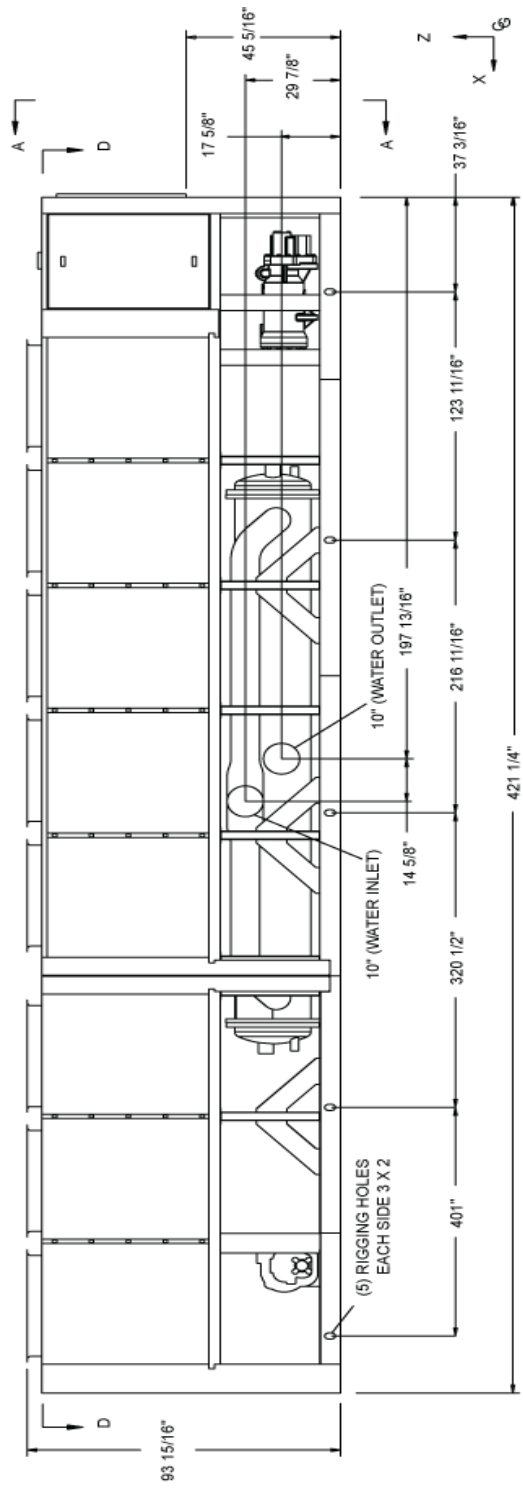
Notes:

1. Placement on a level surface free of obstructions (including snow, for winter operation) or air recirculation ensures rated performance, reliable operation, and ease of maintenance. Site restrictions may compromise minimum clearances indicated below, resulting in unpredictable air patterns and possible diminished performance. Johnson Controls' unit controls will optimize the operation without nuisance high pressure safety cutouts; however, the system designer **MUST** consider potential performance degradation.

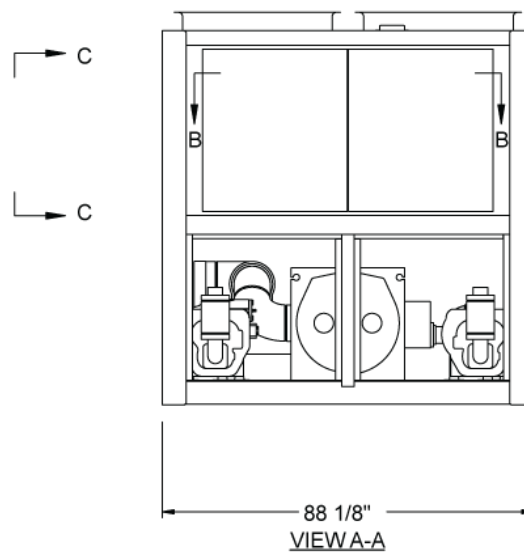
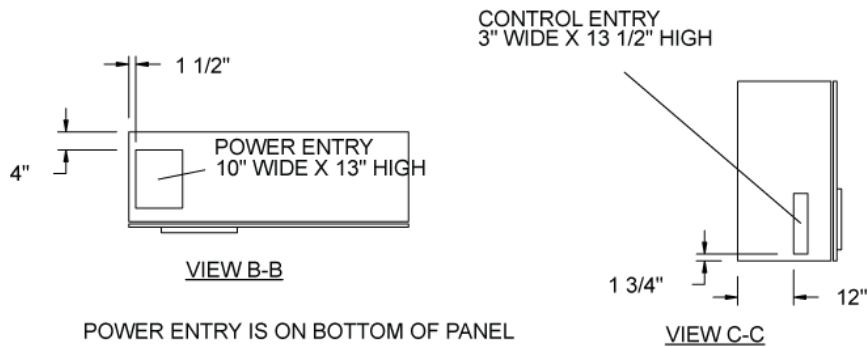
Access to the unit control center stipulates the unit is no higher than on spring isolators. Recommended minimum clearances: side to wall - 6'; rear to wall - 6'; control panel end to wall - 4'; top - no obstructions whatsoever; distance between adjacent units - 10'. No more than one adjacent wall may be higher than the unit.



VIEW D-D



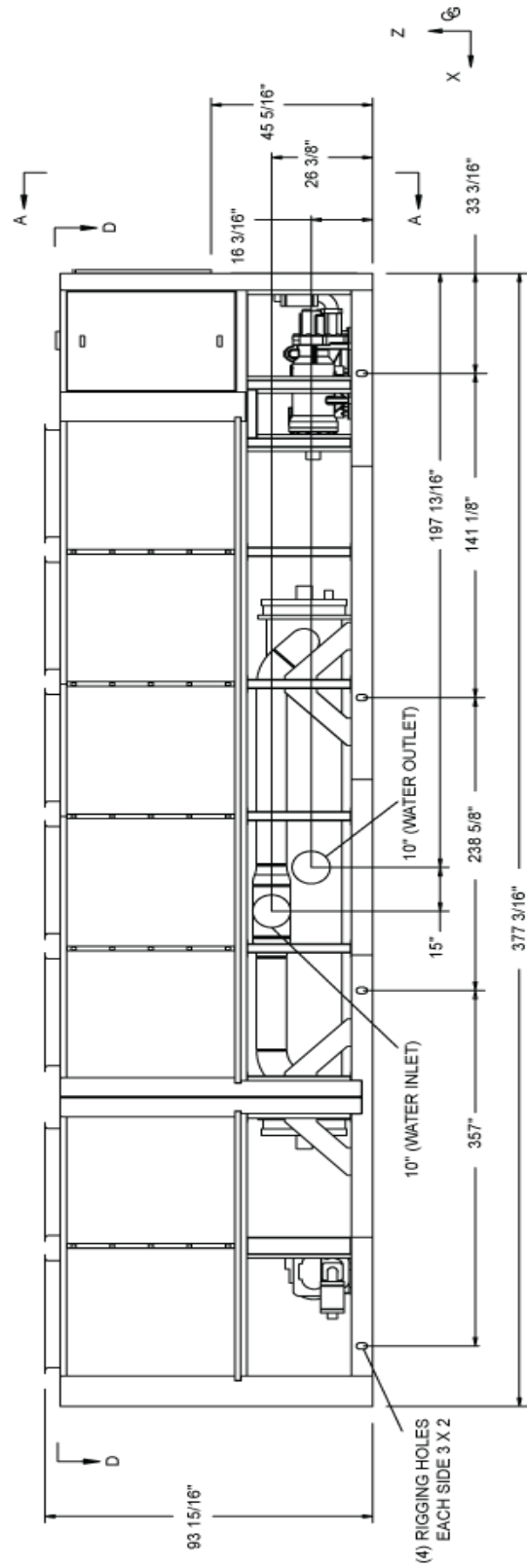
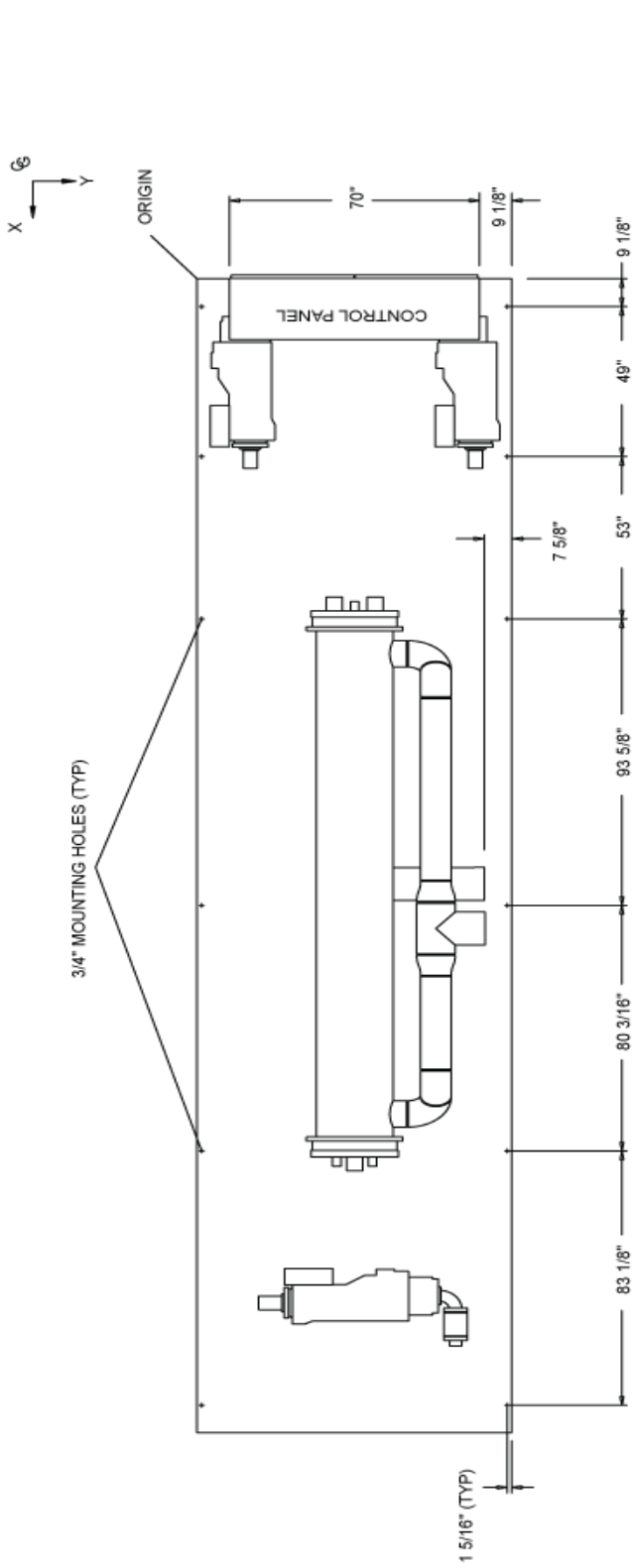
Models YCIV0307S/P



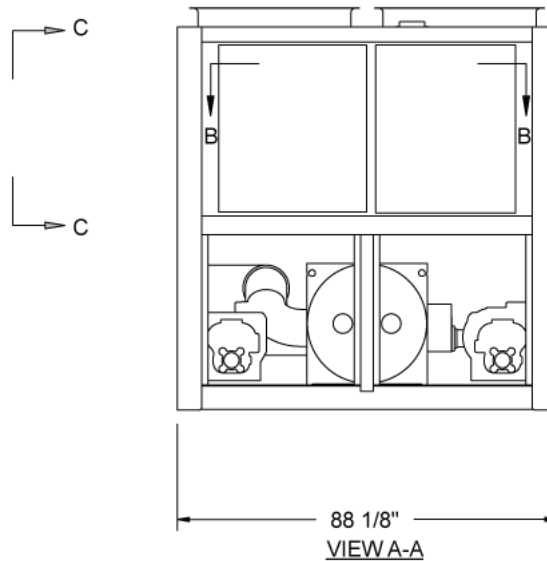
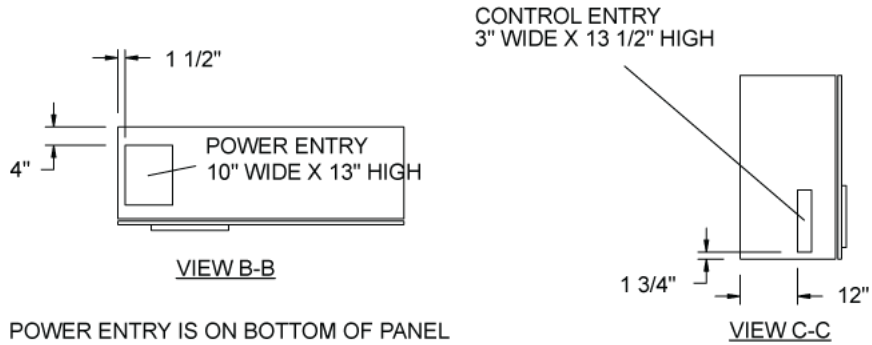
Notes:

1. Placement on a level surface free of obstructions (including snow, for winter operation) or air recirculation ensures rated performance, reliable operation, and ease of maintenance. Site restrictions may compromise minimum clearances indicated below, resulting in unpredictable air patterns and possible diminished performance. Johnson Controls' unit controls will optimize the operation without nuisance high pressure safety cutouts; however, the system designer **MUST** consider potential performance degradation.

Access to the unit control center stipulates the unit is no higher than on spring isolators. Recommended minimum clearances: side to wall - 6'; rear to wall - 6'; control panel end to wall - 4'; top - no obstructions whatsoever; distance between adjacent units - 10'. No more than one adjacent wall may be higher than the unit.



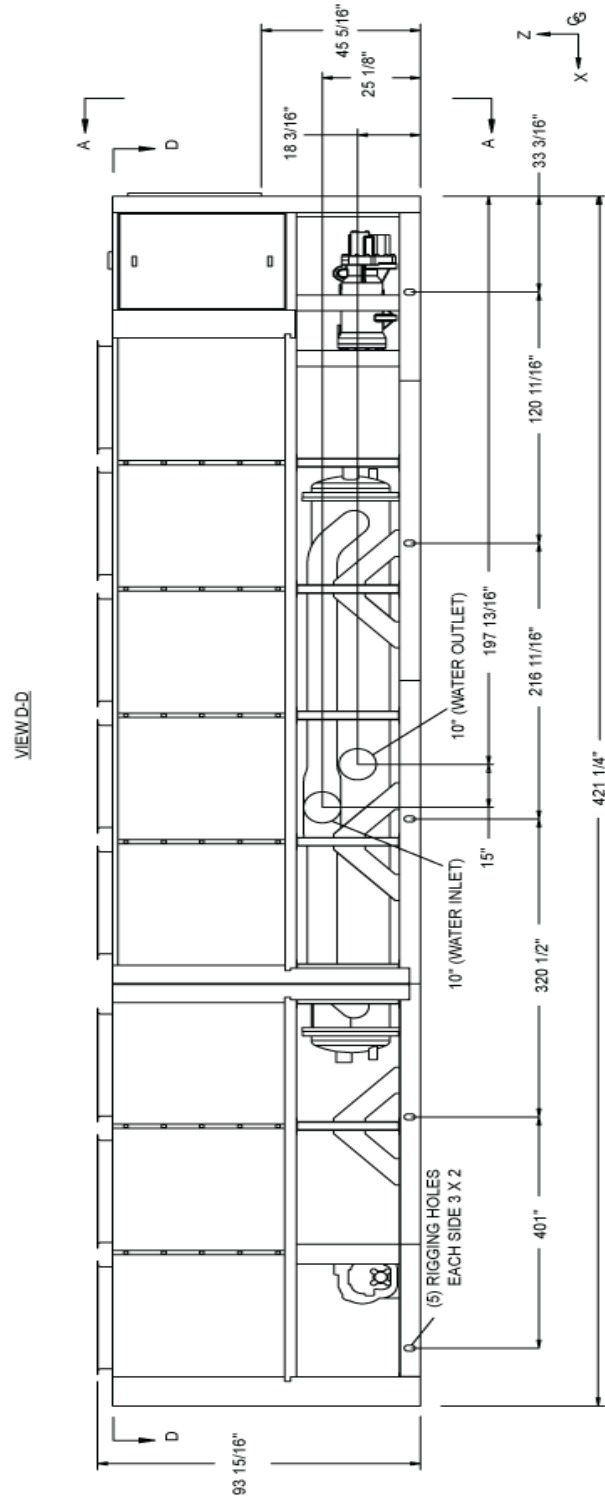
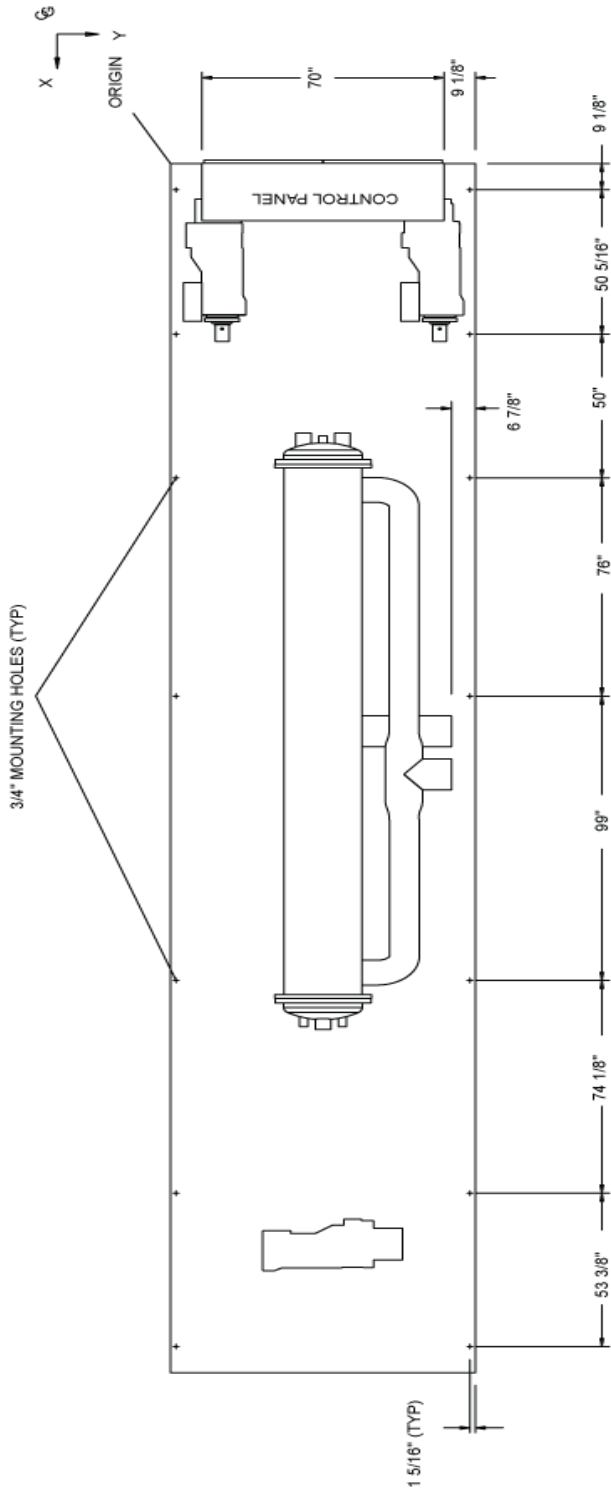
Models YCIV0327E/V and YCIV0357S/P



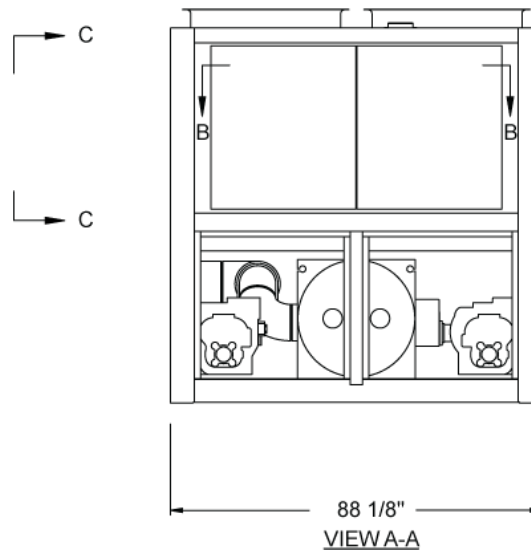
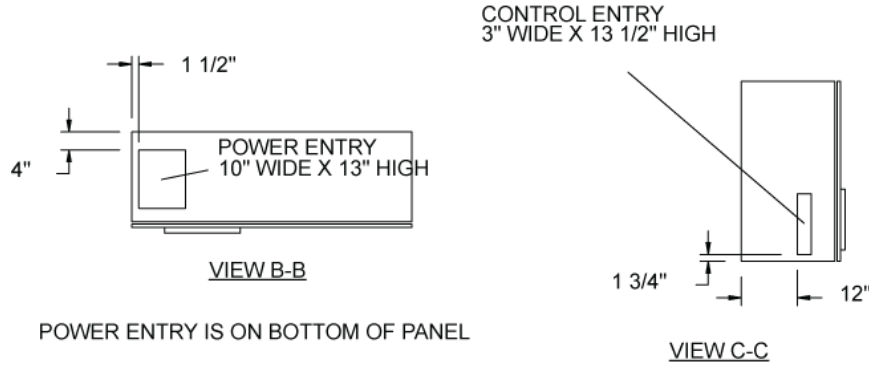
Notes:

1. Placement on a level surface free of obstructions (including snow, for winter operation) or air recirculation ensures rated performance, reliable operation, and ease of maintenance. Site restrictions may compromise minimum clearances indicated below, resulting in unpredictable air patterns and possible diminished performance. Johnson Controls' unit controls will optimize the operation without nuisance high pressure safety cutouts; however, the system designer **MUST** consider potential performance degradation.

Access to the unit control center stipulates the unit is no higher than on spring isolators. Recommended minimum clearances: side to wall - 6'; rear to wall - 6'; control panel end to wall - 4'; top - no obstructions whatsoever; distance between adjacent units - 10'. No more than one adjacent wall may be higher than the unit.



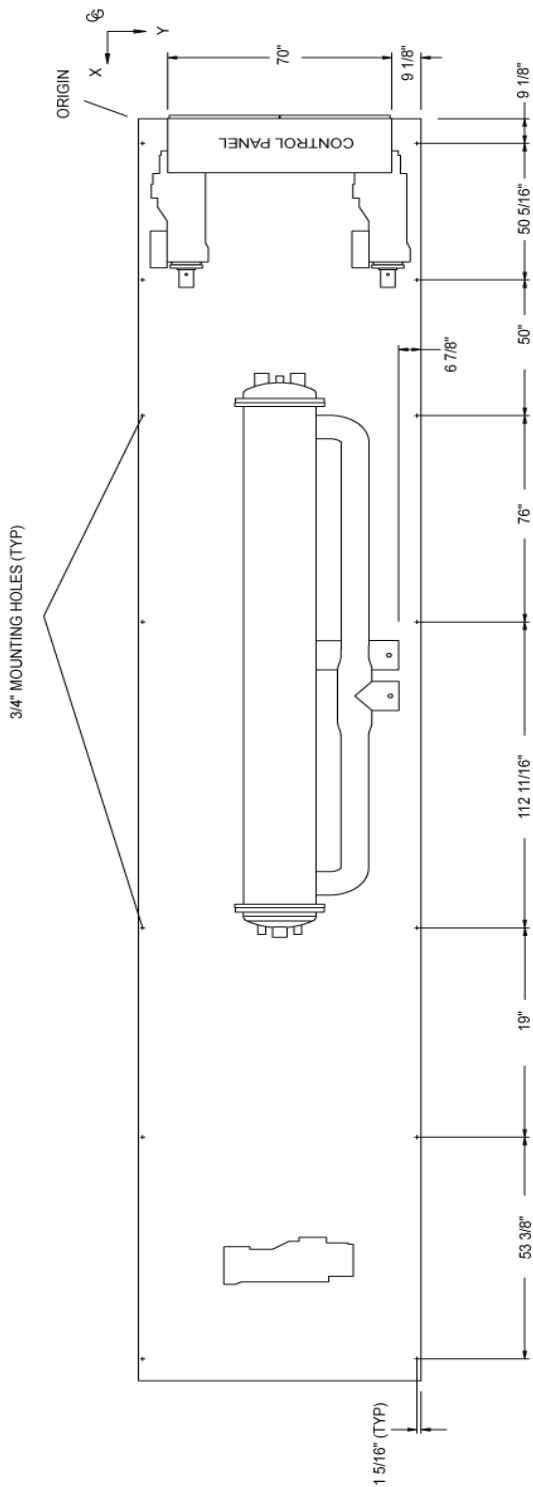
Models YCIV0357E/V and YCIV0397S/P



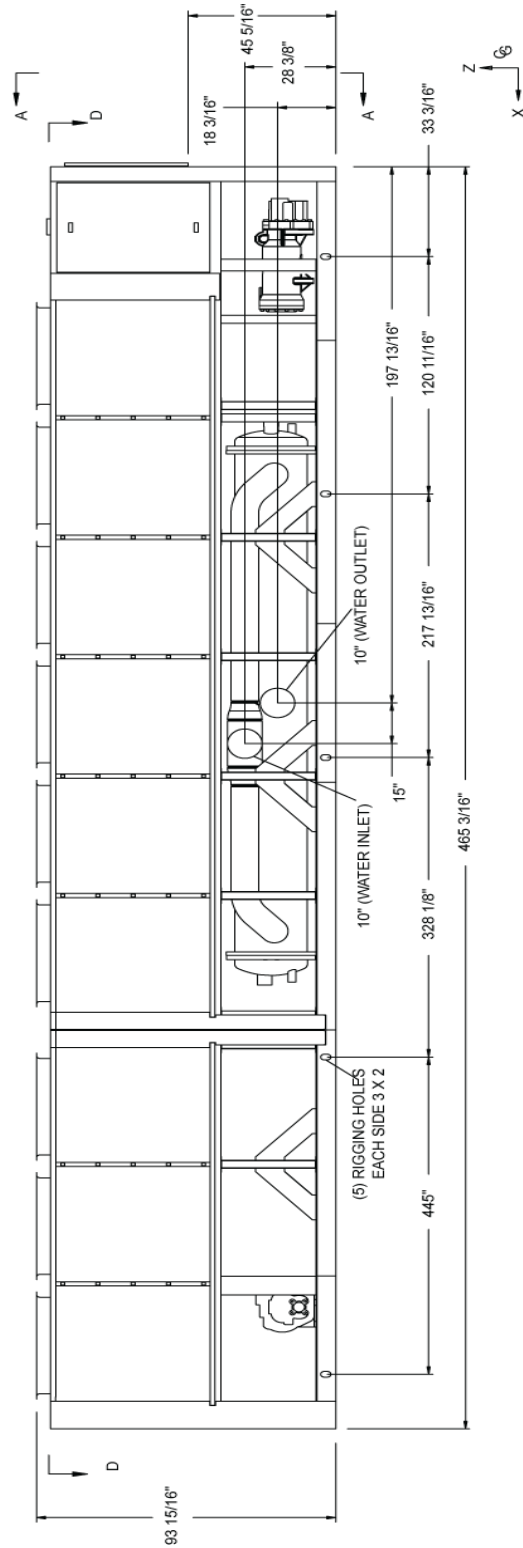
Notes:

1. Placement on a level surface free of obstructions (including snow, for winter operation) or air recirculation ensures rated performance, reliable operation, and ease of maintenance. Site restrictions may compromise minimum clearances indicated below, resulting in unpredictable air patterns and possible diminished performance. Johnson Controls' unit controls will optimize the operation without nuisance high pressure safety cutouts; however, the system designer **MUST** consider potential performance degradation.

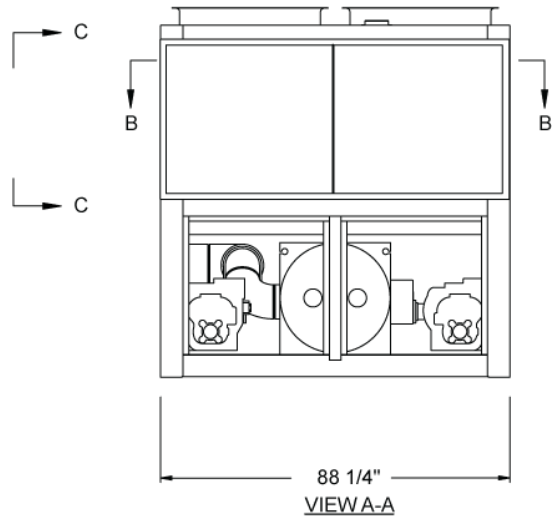
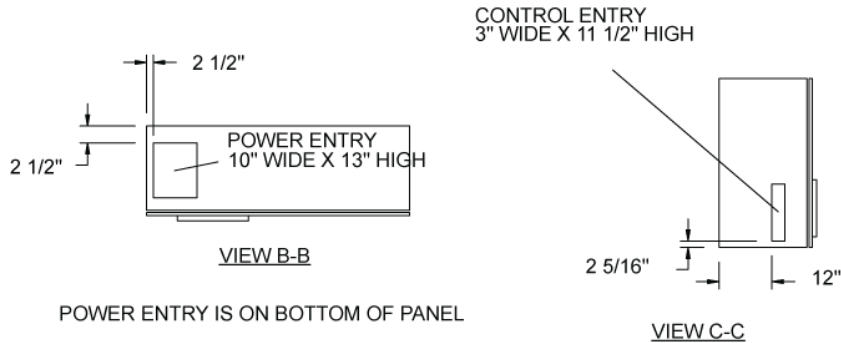
Access to the unit control center stipulates the unit is no higher than on spring isolators. Recommended minimum clearances: side to wall - 6'; rear to wall - 6'; control panel end to wall - 4'; top - no obstructions whatsoever; distance between adjacent units - 10'. No more than one adjacent wall may be higher than the unit.



VIEW D-D



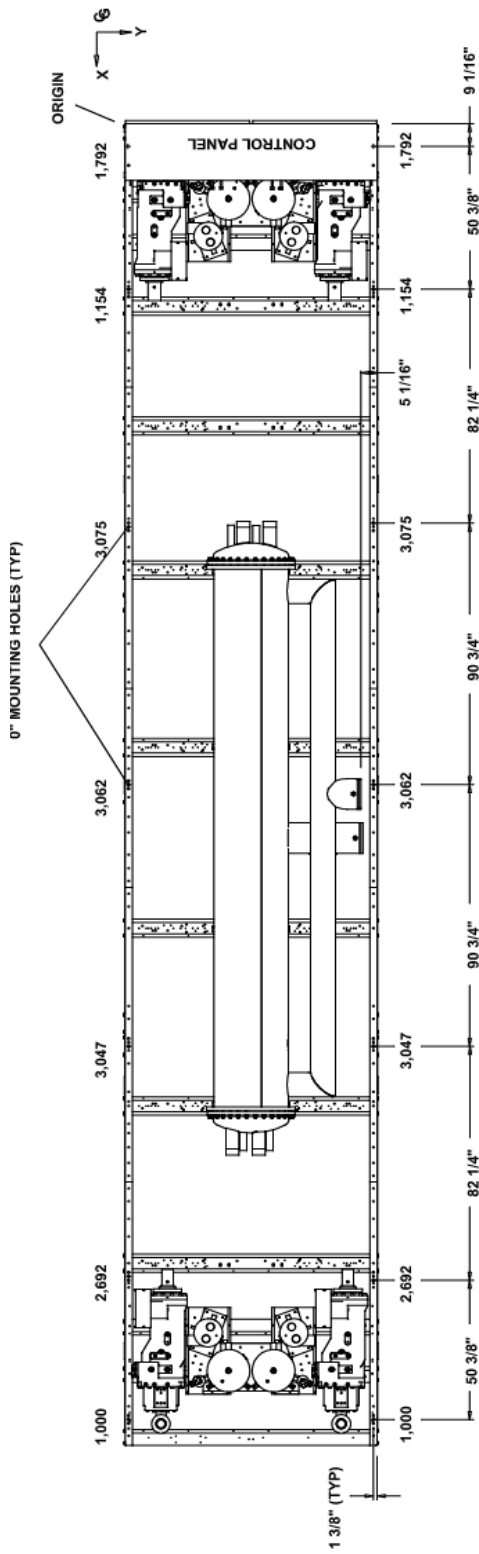
Models YCIV0457P



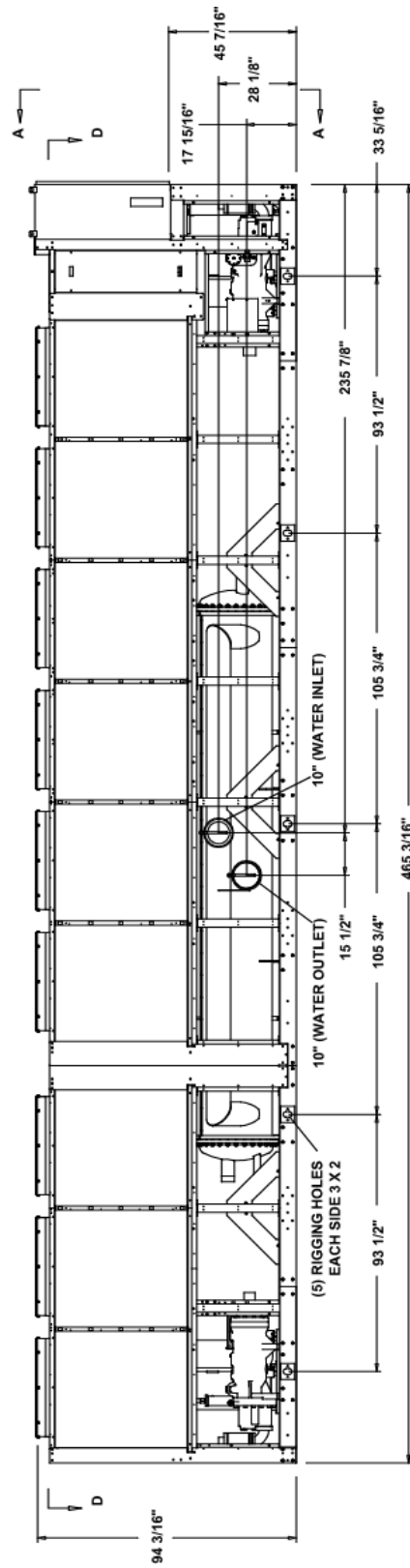
Notes:

1. Placement on a level surface free of obstructions (including snow, for winter operation) or air recirculation ensures rated performance, reliable operation, and ease of maintenance. Site restrictions may compromise minimum clearances indicated below, resulting in unpredictable air patterns and possible diminished performance. Johnson Controls' unit controls will optimize the operation without nuisance high pressure safety cutouts; however, the system designer **MUST** consider potential performance degradation.

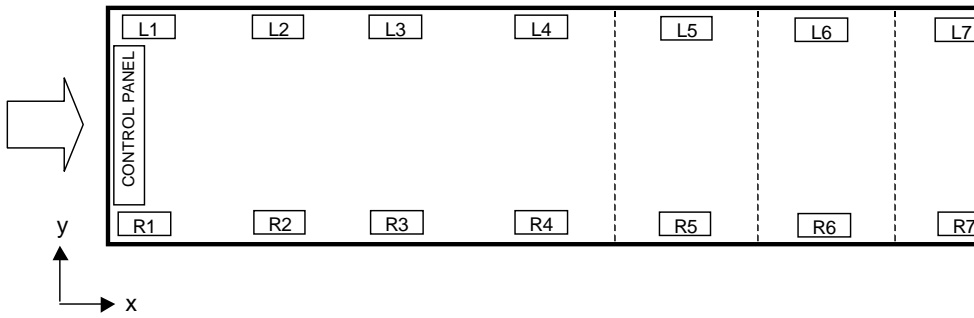
Access to the unit control center stipulates the unit is no higher than on spring isolators. Recommended minimum clearances: side to wall - 6'; rear to wall - 6'; control panel end to wall - 4'; top - no obstructions whatsoever; distance between adjacent units - 10'. No more than one adjacent wall may be higher than the unit.



VIEW D-D



Isolator Locations - English

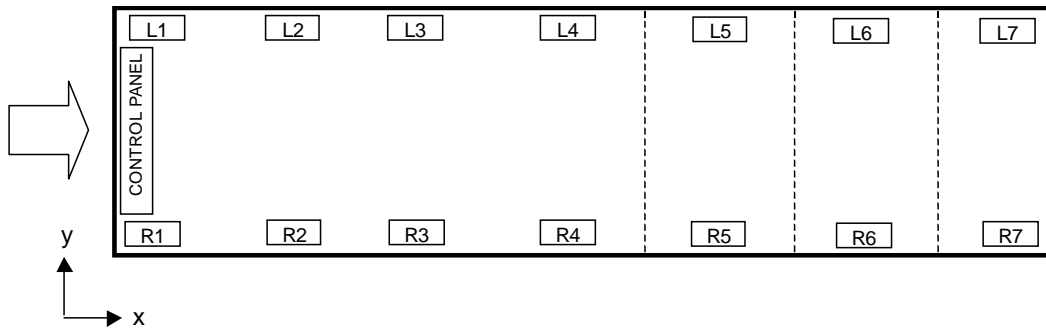


STANDARD EFFICIENCY - ENGLISH								
MODEL YCIV	ISOLATOR LOCATIONS (X , Y) - IN. AND POINT LOADS - LBS							
60 HZ		1	2	3	4	5	6	7
0157S/P	LEFT - L	(9.1 , 86.8)	(59.4 , 86.8)	(109.4 , 86.8)	(211 , 86.8)			
	AL FIN COILS	1702	1592	1396	1340			
	CU FIN COILS	1702	1704	1739	1682			
	RS&LS1 / AL FIN COILS	1881	1770	1396	1340			
	RS&LS1 / CU FIN COILS	1881	1883	1739	1682			
	RIGHT - R	(9.1 , 1.3)	(59.4 , 1.3)	(109.4 , 1.3)	(211 , 1.3)			
	AL FIN COILS	1702	1592	1396	1340			
	CU FIN COILS	1702	1704	1739	1682			
0177S/P	LEFT - L	(9.1 , 86.8)	(59.4 , 86.8)	(109.4 , 86.8)	(211 , 86.8)			
	AL FIN COILS	1720	1614	1667	1609			
	CU FIN COILS	1720	1726	2011	1951			
	RS&LS1 / AL FIN COILS	1898	1792	1667	1609			
	RS&LS1 / CU FIN COILS	1898	1905	2011	1951			
	RIGHT - R	(9.1 , 1.3)	(59.4 , 1.3)	(109.4 , 1.3)	(211 , 1.3)			
	AL FIN COILS	1702	1594	1667	1609			
	CU FIN COILS	1702	1706	2011	1951			
0187S/P	LEFT - L	(9.1 , 86.8)	(59.4 , 86.8)	(109.4 , 86.8)	(195.7 , 86.8)	(265.4 , 86.8)		
	AL FIN COILS	1715	1579	1559	1274	774		
	CU FIN COILS	1715	1700	1898	1653	935		
	RS&LS1 / AL FIN COILS	1894	1757	1559	1274	774		
	RS&LS1 / CU FIN COILS	1894	1878	1898	1653	935		
	RIGHT - R	(9.1 , 1.3)	(59.4 , 1.3)	(109.4 , 1.3)	(195.7 , 1.3)	(265.4 , 1.3)		
	AL FIN COILS	1698	1559	1559	1241	664		
	CU FIN COILS	1698	1680	1898	1620	825		
0207S/P	LEFT - L	(9.1 , 86.8)	(59.4 , 86.8)	(109.4 , 86.8)	(195.7 , 86.8)	(265.4 , 86.8)		
	AL FIN COILS	1728	1680	1768	1512	915		
	CU FIN COILS	1728	1801	2108	1892	1076		
	RS&LS1 / AL FIN COILS	1907	1858	1768	1512	915		
	RS&LS1 / CU FIN COILS	1907	1980	2108	1892	1076		
	RIGHT - R	(9.1 , 1.3)	(59.4 , 1.3)	(109.4 , 1.3)	(195.7 , 1.3)	(265.4 , 1.3)		
	AL FIN COILS	1728	1676	1764	1475	800		
	CU FIN COILS	1728	1797	2108	1854	961		
0277S/P	LEFT - L	(9.1 , 86.8)	(59.4 , 86.8)	(109.4 , 86.8)	(195.7 , 86.8)	(265.4 , 86.8)		
	AL FIN COILS	1728	1680	1768	1523	959		
	CU FIN COILS	1728	1801	2108	1903	1120		
	RS&LS1 / AL FIN COILS	1907	1858	1768	1523	959		
	RS&LS1 / CU FIN COILS	1907	1980	2108	1903	1120		
	RIGHT - R	(9.1 , 1.3)	(59.4 , 1.3)	(109.4 , 1.3)	(195.7 , 1.3)	(265.4 , 1.3)		
	AL FIN COILS	1728	1676	1764	1519	955		
	CU FIN COILS	1728	1797	2103	1898	1116		
RS&LS1 / AL FIN COILS	1907	1854	1764	1519	955			
RS&LS1 / CU FIN COILS	1907	1975	2103	1898	1116			

STANDARD EFFICIENCY - ENGLISH								
MODEL YCIV	ISOLATOR LOCATIONS (X , Y) - IN. AND POINT LOADS - LBS							
60 HZ		1	2	3	4	5	6	7
0247S/P	LEFT - L	(9.1 , 86.8)	(59.4 , 86.8)	(97.2 , 86.8)	(161.4 , 86.8)	(210.6 , 86.8)	(307.9 , 86.8)	
	AL FIN COILS	1728	1638	1248	1160	1261	959	
	CU FIN COILS	1728	1728	1488	1435	1609	1199	
	RS&LS1 / AL FIN COILS	1907	1817	1248	1160	1261	959	
	RS&LS1 / CU FIN COILS	1907	1907	1488	1435	1609	1199	
	RIGHT - R	(9.1 , 1.3)	(59.4 , 1.3)	(97.2 , 1.3)	(161.4 , 1.3)	(210.6 , 1.3)	(307.9 , 1.3)	
	AL FIN COILS	1720	1625	1239	1153	1237	955	
	CU FIN COILS	1720	1715	1479	1429	1585	1195	
	RS&LS1 / AL FIN COILS	1898	1803	1239	1153	1237	955	
RS&LS1 / CU FIN COILS	1898	1894	1479	1429	1590	1195		
0267S/P	LEFT - L	(9.1 , 86.8)	(59.4 , 86.8)	(97.2 , 86.8)	(161.4 , 86.8)	(210.6 , 86.8)	(307.9 , 86.8)	
	AL FIN COILS	1728	1638	1248	1160	1265	1005	
	CU FIN COILS	1728	1728	1488	1435	1614	1246	
	RS&LS1 / AL FIN COILS	1907	1817	1248	1160	1265	1005	
	RS&LS1 / CU FIN COILS	1907	1907	1488	1435	1614	1246	
	RIGHT - R	(9.1 , 1.3)	(59.4 , 1.3)	(97.2 , 1.3)	(161.4 , 1.3)	(210.6 , 1.3)	(307.9 , 1.3)	
	AL FIN COILS	1728	1638	1248	1160	1265	1005	
	CU FIN COILS	1728	1728	1488	1435	1614	1246	
	RS&LS1 / AL FIN COILS	1907	1817	1248	1160	1265	1005	
RS&LS1 / CU FIN COILS	1907	1907	1488	1435	1618	1246		
0287S/P	LEFT - L	(9.1 , 86.8)	(58.1 , 86.8)	(111.1 , 86.8)	(204.7 , 86.8)	(284.9 , 86.8)	(368 , 86.8)	
	AL FIN COILS	1753	1585	1821	1810	2123	1175	
	CU FIN COILS	1775	1757	2165	2156	2467	1347	
	RS&LS1 / AL FIN COILS	1929	1761	1821	1810	2189	1462	
	RS&LS1 / CU FIN COILS	1885	1933	2165	2156	2533	1634	
	RIGHT - R	(9.1 , 1.3)	(58.1 , 1.3)	(111.1 , 1.3)	(204.7 , 1.3)	(284.9 , 1.3)	(368 , 1.3)	
	AL FIN COILS	1753	1596	2407	2414	2635	1179	
	CU FIN COILS	1775	1768	2751	2760	2978	1351	
	RS&LS1 / AL FIN COILS	1929	1773	2407	2414	2701	1466	
RS&LS1 / CU FIN COILS	1951	1944	2751	2760	3045	1638		
0307S/P	LEFT - L	(9.1 , 86.8)	(58.1 , 86.8)	(111.1 , 86.8)	(204.7 , 86.8)	(284.9 , 86.8)	(368 , 86.8)	
	AL FIN COILS	1753	1585	1953	1978	2304	1184	
	CU FIN COILS	1775	1757	2297	2324	2648	1356	
	RS&LS1 / AL FIN COILS	1929	1761	1953	1978	2370	1470	
	RS&LS1 / CU FIN COILS	1951	1933	2297	2324	2714	1642	
	RIGHT - R	(9.1 , 1.3)	(58.1 , 1.3)	(111.1 , 1.3)	(204.7 , 1.3)	(284.9 , 1.3)	(368 , 1.3)	
	AL FIN COILS	1753	1596	2540	2632	2897	1188	
	CU FIN COILS	1775	1768	2884	2978	3241	1338	
	RS&LS1 / AL FIN COILS	1929	1773	2540	2632	2963	1475	
RS&LS1 / CU FIN COILS	1951	1944	2884	2978	3307	1647		
0357S/P	LEFT - L	(9.1 , 86.8)	(59.4 , 86.8)	(109.4 , 86.8)	(185.4 , 86.8)	(284.4 , 86.8)	(358.5 , 86.8)	(411.9 , 86.8)
	AL FIN COILS	1753	1585	1953	1978	1953	1140	946
	CU FIN COILS	1775	1733	2238	2363	2339	1424	1065
	RS&LS1 / AL FIN COILS	1929	1761	1953	1978	1953	1316	1122
	RS&LS1 / CU FIN COILS	1951	1909	2238	2363	2339	1601	1241
	RIGHT - R	(9.1 , 1.3)	(59.4 , 1.3)	(109.4 , 1.3)	(185.4 , 1.3)	(284.4 , 1.3)	(358.5 , 1.3)	(411.9 , 1.3)
	AL FIN COILS	1753	1596	2540	2632	2540	1151	946
	CU FIN COILS	1775	1715	2824	3018	2926	1435	1065
	RS&LS1 / AL FIN COILS	1929	1773	2540	2632	2540	1327	1122
RS&LS1 / CU FIN COILS	1951	1892	2824	3018	2926	1612	1241	
0397S/P	LEFT - L	(9.1 , 86.8)	(59.4 , 86.8)	(109.4 , 86.8)	(185.4 , 86.8)	(298.1 , 86.8)	(375.2 , 86.8)	(456 , 86.8)
	AL FIN COILS	1766	1607	1953	1978	2041	1404	1056
	CU FIN COILS	1788	1755	2238	2363	2427	1689	1175
	RS&LS1 / AL FIN COILS	1942	1784	1953	1978	2041	1581	1232
	RS&LS1 / CU FIN COILS	1964	1931	2238	2363	2427	1865	1351
	RIGHT - R	(9.1 , 1.3)	(59.4 , 1.3)	(109.4 , 1.3)	(185.4 , 1.3)	(298.1 , 1.3)	(375.2 , 1.3)	(456 , 1.3)
	AL FIN COILS	1766	1618	2540	2632	2628	1415	1056
	CU FIN COILS	1788	1737	2824	3018	3014	1700	1175
	RS&LS1 / AL FIN COILS	1942	1795	2540	2632	2628	1592	1232
RS&LS1 / CU FIN COILS	1964	1914	2824	3018	3014	1876	1351	
0457P	LEFT - L	(9.1 , 86.9)	(59.5 , 86.9)	(141.7 , 86.9)	(232.5 , 86.9)	(323.3 , 86.9)	(405.5 , 86.9)	(456.0 , 86.9)
	AL FIN COILS	1792	1154	3075	3062	3047	2692	1000
	CU FIN COILS	1718	1386	3566	3567	3549	3110	1123
	RS&LS1/AL FIN COILS	1826	1069	3362	3343	3327	2808	954
	RS&LS1/CU FIN COILS	1751	1301	3853	3848	3829	3226	1077
	RIGHT - R	(9.1 , 1.4)	(59.5 , 1.4)	(141.7 , 1.4)	(232.5 , 1.4)	(323.3 , 1.4)	(405.5 , 1.4)	(456.0 , 1.4)
	AL FIN COILS	1792	1154	3075	3062	3047	2692	1000
	CU FIN COILS	1718	1386	3566	3567	3549	3110	1123
	RS&LS1/AL FIN COILS	1826	1069	3362	3343	3327	2808	954
RS&LS1/CU FIN COILS	1751	1301	3853	3848	3829	3226	1077	

NOTES: 1. RS = REDUCED SOUND OPTION, LS = LOW SOUND OPTION

Isolator Locations - English

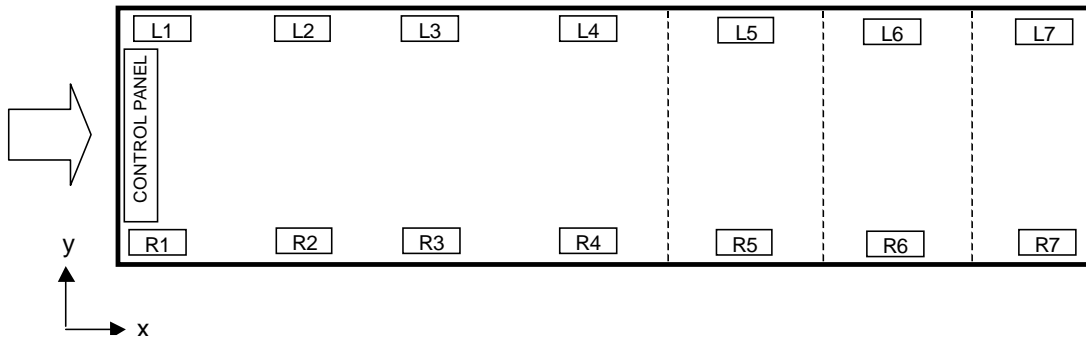


HIGH EFFICIENCY - ENGLISH								
MODEL YCIV	ISOLATOR LOCATIONS (X , Y) - IN. AND POINT LOADS - LBS							
60 HZ		1	2	3	4	5	6	7
0157E/V	LEFT - L	(9.1 , 86.8)	(59.4 , 86.8)	(109.4 , 86.8)	(211 , 86.8)			
	AL FIN COILS	1702	1594	1667	1609			
	CU FIN COILS	1702	1706	2011	1951			
	RS&LS1 / AL FIN COILS	1881	1773	1667	1609			
	RS&LS1 / CU FIN COILS	1881	1885	2011	1951			
	RIGHT - R	(9.1 , 1.3)	(59.4 , 1.3)	(109.4 , 1.3)	(211 , 1.3)			
	AL FIN COILS	1702	1594	1667	1609			
	CU FIN COILS	1702	1706	2011	1951			
	RS&LS1 / AL FIN COILS	1881	1773	1667	1609			
	RS&LS1 / CU FIN COILS	1881	1885	2011	1951			
0177E/V	LEFT - L	(9.1 , 86.8)	(59.4 , 86.8)	(109.4 , 86.8)	(195.7 , 86.8)	(265.4 , 86.8)		
	AL FIN COILS	1698	1559	1559	1274	774		
	CU FIN COILS	1698	1680	1898	1653	935		
	RS&LS1 / AL FIN COILS	1876	1737	1559	1274	774		
	RS&LS1 / CU FIN COILS	1876	1858	1898	1653	935		
	RIGHT - R	(9.1 , 1.3)	(59.4 , 1.3)	(109.4 , 1.3)	(195.7 , 1.3)	(265.4 , 1.3)		
	AL FIN COILS	1698	1559	1559	1241	664		
	CU FIN COILS	1698	1680	1898	1620	825		
	RS&LS1 / AL FIN COILS	1876	1737	1559	1241	664		
	RS&LS1 / CU FIN COILS	1876	1858	1898	1620	825		
0187E/V	LEFT - L	(9.1 , 86.8)	(59.4 , 86.8)	(109.4 , 86.8)	(195.7 , 86.8)	(265.4 , 86.8)		
	AL FIN COILS	1715	1581	1676	1287	820		
	CU FIN COILS	1715	1702	2015	1667	981		
	RS&LS1 / AL FIN COILS	1894	1759	1676	1287	820		
	RS&LS1 / CU FIN COILS	1894	1881	2015	1667	981		
	RIGHT - R	(9.1 , 1.3)	(59.4 , 1.3)	(109.4 , 1.3)	(195.7 , 1.3)	(265.4 , 1.3)		
	AL FIN COILS	1698	1561	1561	1287	820		
	CU FIN COILS	1698	1682	1900	1667	981		
	RS&LS1 / AL FIN COILS	1876	1739	1561	1287	820		
	RS&LS1 / CU FIN COILS	1876	1861	1900	1667	981		
0197E/V	LEFT - L	(9.1 , 86.8)	(59.4 , 86.8)	(109.4 , 86.8)	(195.7 , 86.8)	(265.4 , 86.8)		
	AL FIN COILS	1720	1609	1618	1354	860		
	CU FIN COILS	1720	1731	1958	1733	1021		
	RS&LS1 / AL FIN COILS	1898	1788	1618	1354	860		
	RS&LS1 / CU FIN COILS	1898	1909	1958	1733	1021		
	RIGHT - R	(9.1 , 1.3)	(59.4 , 1.3)	(109.4 , 1.3)	(195.7 , 1.3)	(265.4 , 1.3)		
	AL FIN COILS	1720	1609	1618	1354	860		
	CU FIN COILS	1720	1731	1958	1733	1021		
	RS&LS1 / AL FIN COILS	1898	1788	1618	1354	860		
	RS&LS1 / CU FIN COILS	1898	1909	1958	1733	1021		
0207E/V	LEFT - L	(9.1 , 86.8)	(59.4 , 86.8)	(97.2 , 86.8)	(161.4 , 86.8)	(210.6 , 86.8)	(307.9 , 86.8)	
	AL FIN COILS	1720	1614	1082	994	1093	952	
	CU FIN COILS	1720	1704	1323	1270	1442	1193	
	RS&LS1 / AL FIN COILS	1898	1792	1082	994	1093	952	
	RS&LS1 / CU FIN COILS	1898	1883	1323	1270	1442	1193	
	RIGHT - R	(9.1 , 1.3)	(59.4 , 1.3)	(97.2 , 1.3)	(161.4 , 1.3)	(210.6 , 1.3)	(307.9 , 1.3)	
	AL FIN COILS	1720	1614	1082	994	1078	955	
	CU FIN COILS	1720	1704	1323	1270	1426	1195	
	RS&LS1 / AL FIN COILS	1898	1792	1082	994	1078	955	
	RS&LS1 / CU FIN COILS	1898	1883	1323	1270	1431	1195	

HIGH EFFICIENCY - ENGLISH								
MODEL YCIV	ISOLATOR LOCATIONS (X , Y) - IN. AND POINT LOADS - LBS							
60 HZ		1	2	3	4	5	6	7
0227E/V	LEFT - L	(9.1, 86.8)	(59.4, 86.8)	(97.2, 86.8)	(161.4, 86.8)	(210.6, 86.8)	(307.9, 86.8)	
	AL FIN COILS	1720	1616	1085	999	1102	1003	
	CU FIN COILS	1720	1706	1325	1274	1451	1243	
	RS&LS1 / AL FIN COILS	1898	1795	1085	999	1102	1003	
	RS&LS1 / CU FIN COILS	1898	1885	1325	1274	1451	1243	
	RIGHT - R	(9.1, 1.3)	(59.4, 1.3)	(97.2, 1.3)	(161.4, 1.3)	(210.6, 1.3)	(307.9, 1.3)	
	AL FIN COILS	1720	1616	1085	999	1102	1003	
	CU FIN COILS	1720	1706	1325	1274	1451	1243	
	RS&LS1 / AL FIN COILS	1898	1795	1085	999	1102	1003	
RS&LS1 / CU FIN COILS	1898	1885	1325	1274	1455	1243		
0247E/V	LEFT - L	(9.1, 86.8)	(59.4, 86.8)	(97.2, 86.8)	(161.4, 86.8)	(210.6, 86.8)	(307.9, 86.8)	
	AL FIN COILS	1728	1638	1248	1160	1265	1005	
	CU FIN COILS	1728	1728	1488	1435	1614	1246	
	RS&LS1 / AL FIN COILS	1907	1817	1248	1160	1265	1005	
	RS&LS1 / CU FIN COILS	1907	1907	1488	1435	1614	1246	
	RIGHT - R	(9.1, 1.3)	(59.4, 1.3)	(97.2, 1.3)	(161.4, 1.3)	(210.6, 1.3)	(307.9, 1.3)	
	AL FIN COILS	1720	1629	1248	1160	1265	1005	
	CU FIN COILS	1720	1720	1488	1435	1614	1246	
	RS&LS1 / AL FIN COILS	1898	1808	1248	1160	1265	1005	
RS&LS1 / CU FIN COILS	1898	1898	1488	1435	1618	1246		
0267E/V	LEFT - L	(9.1, 86.8)	(58.1, 86.8)	(111.1, 86.8)	(204.7, 86.8)	(284.9, 86.8)	(368, 86.8)	
	AL FIN COILS	1753	1585	1821	1839	2163	1175	
	CU FIN COILS	1775	1757	2165	2185	2507	1347	
	RS&LS1 / AL FIN COILS	1929	1761	1821	1839	2229	1396	
	RS&LS1 / CU FIN COILS	1951	1933	2165	2185	2573	1634	
	RIGHT - R	(9.1, 1.3)	(58.1, 1.3)	(111.1, 1.3)	(204.7, 1.3)	(284.9, 1.3)	(368, 1.3)	
	AL FIN COILS	1753	1596	2407	2493	2756	1179	
	CU FIN COILS	1775	1768	2751	2840	3100	1351	
	RS&LS1 / AL FIN COILS	1929	1773	2407	2493	2822	1466	
RS&LS1 / CU FIN COILS	1951	1944	2751	2840	3166	1638		
0287E/V	LEFT - L	(9.1, 86.8)	(59.4, 86.8)	(109.4, 86.8)	(185.4, 86.8)	(284.4, 86.8)	(358.5, 86.8)	(411.9, 86.8)
	AL FIN COILS	1753	1585	1847	1870	1574	1049	928
	CU FIN COILS	1775	1733	2132	2255	1960	1334	1047
	RS&LS1 / AL FIN COILS	1929	1761	1847	1870	1574	1226	1105
	RS&LS1 / CU FIN COILS	1885	1909	2132	2255	1960	1510	1224
	RIGHT - R	(9.1, 1.3)	(59.4, 1.3)	(109.4, 1.3)	(185.4, 1.3)	(284.4, 1.3)	(358.5, 1.3)	(411.9, 1.3)
	AL FIN COILS	1753	1596	2434	2524	2344	1120	928
	CU FIN COILS	1775	1715	2718	2910	2729	1404	1047
	RS&LS1 / AL FIN COILS	1929	1773	2434	2524	2344	1296	1105
RS&LS1 / CU FIN COILS	1951	1892	2718	2910	2729	1581	1224	
0327E/V	LEFT - L	(9.1, 86.8)	(59.4, 86.8)	(109.4, 86.8)	(185.4, 86.8)	(284.4, 86.8)	(358.5, 86.8)	(411.9, 86.8)
	AL FIN COILS	1753	1585	1953	1978	1953	1140	928
	CU FIN COILS	1775	1733	2238	2363	2339	1424	1047
	RS&LS1 / AL FIN COILS	1929	1761	1953	1978	1953	1316	1105
	RS&LS1 / CU FIN COILS	1951	1931	2238	2363	2339	1601	1224
	RIGHT - R	(9.1, 1.3)	(59.4, 1.3)	(109.4, 1.3)	(185.4, 1.3)	(284.4, 1.3)	(358.5, 1.3)	(411.9, 1.3)
	AL FIN COILS	1753	1596	2540	2632	2540	1151	928
	CU FIN COILS	1775	1715	2824	3018	2926	1435	1047
	RS&LS1 / AL FIN COILS	1929	1773	2540	2632	2540	1327	1105
RS&LS1 / CU FIN COILS	1951	1892	2824	3018	2926	1612	1224	
0357E/V	LEFT - L	(9.1, 86.8)	(59.4, 86.8)	(109.4, 86.8)	(185.4, 86.8)	(298.1, 86.8)	(375.2, 86.8)	(456, 86.8)
	AL FIN COILS	1766	1607	1953	1978	2041	1404	1038
	CU FIN COILS	1788	1755	2238	2363	2427	1689	1157
	RS&LS1 / AL FIN COILS	1942	1784	1953	1978	2041	1581	1215
	RS&LS1 / CU FIN COILS	1964	1931	2238	2363	2427	1865	1334
	RIGHT - R	(9.1, 1.3)	(59.4, 1.3)	(109.4, 1.3)	(185.4, 1.3)	(298.1, 1.3)	(375.2, 1.3)	(456, 1.3)
	AL FIN COILS	1766	1618	2540	2632	2628	1415	1038
	CU FIN COILS	1788	1737	2824	3018	3014	1700	1157
	RS&LS1 / AL FIN COILS	1942	1795	2540	2632	2628	1592	1215
RS&LS1 / CU FIN COILS	1964	1914	2824	3018	3014	1876	1334	

NOTES: 1. RS = REDUCED SOUND OPTION, LS = LOW SOUND OPTION

Isolator Locations - SI

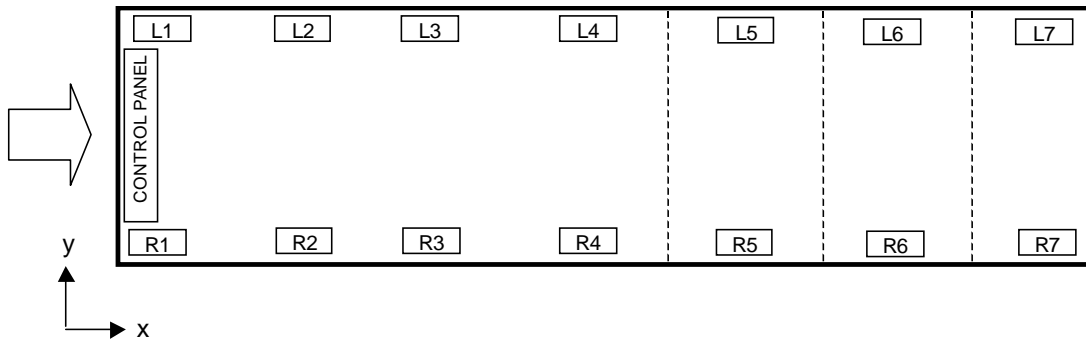


HIGH EFFICIENCY - SI								
MODEL YCIV	ISOLATOR LOCATIONS (X , Y) - MM AND POINT LOADS - KG							
60 HZ		1	2	3	4	5	6	7
0157S/P	LEFT - L	(230 , 2204)	(1510 , 2204)	(2780 , 2204)	(5360 , 2204)			
	AL FIN COILS	772	722	633	608			
	CU FIN COILS	772	773	789	763			
	RS&LS1 / AL FIN COILS	853	803	633	608			
	RS&LS1 / CU FIN COILS	853	854	789	763			
	RIGHT - R	(230 , 32)	(1510 , 32)	(2780 , 32)	(5360 , 32)			
	AL FIN COILS	772	722	633	608			
	CU FIN COILS	772	773	789	763			
0177S/P	LEFT - L	(230 , 2204)	(1510 , 2204)	(2780 , 2204)	(5360 , 2204)			
	AL FIN COILS	780	732	756	730			
	CU FIN COILS	780	783	912	885			
	RS&LS1 / AL FIN COILS	861	813	756	730			
	RS&LS1 / CU FIN COILS	861	864	912	885			
	RIGHT - R	(230 , 32)	(1510 , 32)	(2780 , 32)	(5360 , 32)			
	AL FIN COILS	772	723	756	730			
	CU FIN COILS	772	774	912	885			
0187S/P	LEFT - L	(230 , 2204)	(1510 , 2204)	(2780 , 2204)	(4970 , 2204)	(6740 , 2204)		
	AL FIN COILS	778	716	707	578	351		
	CU FIN COILS	778	771	861	750	424		
	RS&LS1 / AL FIN COILS	859	797	707	578	351		
	RS&LS1 / CU FIN COILS	859	852	861	750	424		
	RIGHT - R	(230 , 32)	(1510 , 32)	(2780 , 32)	(4970 , 32)	(6740 , 32)		
	AL FIN COILS	770	707	707	563	301		
	CU FIN COILS	770	762	861	735	374		
0207S/P	LEFT - L	(230 , 2204)	(1510 , 2204)	(2780 , 2204)	(4970 , 2204)	(6740 , 2204)		
	AL FIN COILS	784	762	802	686	415		
	CU FIN COILS	784	817	956	858	488		
	RS&LS1 / AL FIN COILS	865	843	802	686	415		
	RS&LS1 / CU FIN COILS	865	898	956	858	488		
	RIGHT - R	(230 , 32)	(1510 , 32)	(2780 , 32)	(4970 , 32)	(6740 , 32)		
	AL FIN COILS	784	760	800	669	363		
	CU FIN COILS	784	815	956	841	436		
0277S/P	LEFT - L	(230 , 2204)	(1510 , 2204)	(2780 , 2204)	(4970 , 2204)	(6740 , 2204)		
	AL FIN COILS	784	762	802	691	435		
	CU FIN COILS	784	817	956	863	508		
	RS&LS1 / AL FIN COILS	865	843	802	691	435		
	RS&LS1 / CU FIN COILS	865	898	956	863	508		
	RIGHT - R	(230 , 32)	(1510 , 32)	(2780 , 32)	(4970 , 32)	(6740 , 32)		
	AL FIN COILS	784	760	800	689	433		
	CU FIN COILS	784	815	954	861	506		
0277S/P	RS&LS1 / AL FIN COILS	865	841	800	689	433		
	RS&LS1 / CU FIN COILS	865	896	954	861	506		

HIGH EFFICIENCY - SI								
MODEL YCIV	ISOLATOR LOCATIONS (X , Y) - MM AND POINT LOADS - KG							
60 HZ		1	2	3	4	5	6	7
0247S/P	LEFT - L	(230 , 2204)	(1510 , 2204)	(2470 , 2204)	(4100 , 2204)	(5350 , 2204)	(7820 , 2204)	
	AL FIN COILS	784	743	566	526	572	435	
	CU FIN COILS	784	784	675	651	730	544	
	RS&LS1 / AL FIN COILS	865	824	566	526	572	435	
	RS&LS1 / CU FIN COILS	865	865	675	651	730	544	
	RIGHT - R	(230 , 32)	(1510 , 32)	(2470 , 32)	(4100 , 32)	(5350 , 32)	(7820 , 32)	
	AL FIN COILS	780	737	562	523	561	433	
	CU FIN COILS	780	778	671	648	719	542	
	RS&LS1 / AL FIN COILS	861	818	562	523	561	433	
RS&LS1 / CU FIN COILS	861	859	671	648	721	542		
0267S/P	LEFT - L	(230 , 2204)	(1510 , 2204)	(2470 , 2204)	(4100 , 2204)	(5350 , 2204)	(7820 , 2204)	
	AL FIN COILS	784	743	566	526	574	456	
	CU FIN COILS	784	784	675	651	732	565	
	RS&LS1 / AL FIN COILS	865	824	566	526	574	456	
	RS&LS1 / CU FIN COILS	865	865	675	651	732	565	
	RIGHT - R	(230 , 32)	(1510 , 32)	(2470 , 32)	(4100 , 32)	(5350 , 32)	(7820 , 32)	
	AL FIN COILS	784	743	566	526	574	456	
	CU FIN COILS	784	784	675	651	732	565	
	RS&LS1 / AL FIN COILS	865	824	566	526	574	456	
RS&LS1 / CU FIN COILS	865	865	675	651	734	565		
0287S/P	LEFT - L	(230 , 2204)	(1475 , 2204)	(2823 , 2204)	(5199 , 2204)	(7236 , 2204)	(9346 , 2204)	
	AL FIN COILS	795	719	826	821	963	533	
	CU FIN COILS	805	797	982	978	1119	611	
	RS&LS1 / AL FIN COILS	875	799	826	821	993	663	
	RS&LS1 / CU FIN COILS	855	877	982	978	1149	741	
	RIGHT - R	(230 , 32)	(1475 , 32)	(2823 , 32)	(5199 , 32)	(7236 , 32)	(9346 , 32)	
	AL FIN COILS	795	724	1092	1095	1195	535	
	CU FIN COILS	805	802	1248	1252	1351	613	
	RS&LS1 / AL FIN COILS	875	804	1092	1095	1225	665	
RS&LS1 / CU FIN COILS	885	882	1248	1252	1381	743		
0307S/P	LEFT - L	(230 , 2204)	(1475 , 2204)	(2823 , 2204)	(5199 , 2204)	(7236 , 2204)	(9346 , 2204)	
	AL FIN COILS	795	719	886	897	1045	537	
	CU FIN COILS	805	797	1042	1054	1201	615	
	RS&LS1 / AL FIN COILS	875	799	886	897	1075	667	
	RS&LS1 / CU FIN COILS	885	877	1042	1054	1231	745	
	RIGHT - R	(230 , 32)	(1475 , 32)	(2823 , 32)	(5199 , 32)	(7236 , 32)	(9346 , 32)	
	AL FIN COILS	795	724	1152	1194	1314	539	
	CU FIN COILS	805	802	1308	1351	1470	607	
	RS&LS1 / AL FIN COILS	875	804	1152	1194	1344	669	
RS&LS1 / CU FIN COILS	885	882	1308	1351	1500	747		
0357S/P	LEFT - L	(230 , 2204)	(1510 , 2204)	(2780 , 2204)	(4710 , 2204)	(7225 , 2204)	(9105 , 2204)	(10463 , 2204)
	AL FIN COILS	795	719	886	897	886	517	429
	CU FIN COILS	805	786	1015	1072	1061	646	483
	RS&LS1 / AL FIN COILS	875	799	886	897	886	597	509
	RS&LS1 / CU FIN COILS	885	866	1015	1072	1061	726	563
	RIGHT - R	(230 , 32)	(1510 , 32)	(2780 , 32)	(4710 , 32)	(7225 , 32)	(9105 , 32)	(10463 , 32)
	AL FIN COILS	795	724	1152	1194	1152	522	429
	CU FIN COILS	805	778	1281	1369	1327	651	483
	RS&LS1 / AL FIN COILS	875	804	1152	1194	1152	602	509
RS&LS1 / CU FIN COILS	885	858	1281	1369	1327	731	563	
0397S/P	LEFT - L	(230 , 2204)	(1510 , 2204)	(2780 , 2204)	(4710 , 2204)	(7572 , 2204)	(9530 , 2204)	(11582 , 2204)
	AL FIN COILS	801	729	886	897	926	637	479
	CU FIN COILS	811	796	1015	1072	1101	766	533
	RS&LS1 / AL FIN COILS	881	809	886	897	926	717	559
	RS&LS1 / CU FIN COILS	891	876	1015	1072	1101	846	613
	RIGHT - R	(230 , 32)	(1510 , 32)	(2780 , 32)	(4710 , 32)	(7572 , 32)	(9530 , 32)	(11582 , 32)
	AL FIN COILS	801	734	1152	1194	1192	642	479
	CU FIN COILS	811	788	1281	1369	1367	771	533
	RS&LS1 / AL FIN COILS	881	814	1152	1194	1192	722	559
RS&LS1 / CU FIN COILS	891	868	1281	1369	1367	851	613	
0457P	LEFT - L	(230 , 2207)	(1510 , 2207)	(3600 , 2207)	(5905 , 2207)	(8211 , 2207)	(10301 , 2207)	(11581 , 2207)
	AL FIN COILS	813	523	1395	1389	1382	1221	454
	CU FIN COILS	779	629	1618	1618	1610	1411	509
	RS&LS1 / AL FIN COILS	828	485	1525	1516	1509	1274	433
	RS&LS1 / CU FIN COILS	794	590	1748	1745	1737	1463	489
	RIGHT - R	(230 , 35)	(1510 , 35)	(3600 , 35)	(5905 , 35)	(8211 , 35)	(10301 , 35)	(11581 , 35)
	AL FIN COILS	813	523	1395	1389	1382	1221	454
	CU FIN COILS	779	629	1618	1618	1610	1411	509
	RS&LS1 / AL FIN COILS	828	485	1525	1516	1509	1274	433
RS&LS1 / CU FIN COILS	794	590	1748	1745	1737	1463	489	

NOTES: 1. RS = REDUCED SOUND OPTION, LS = LOW SOUND OPTION

Isolator Locations - SI

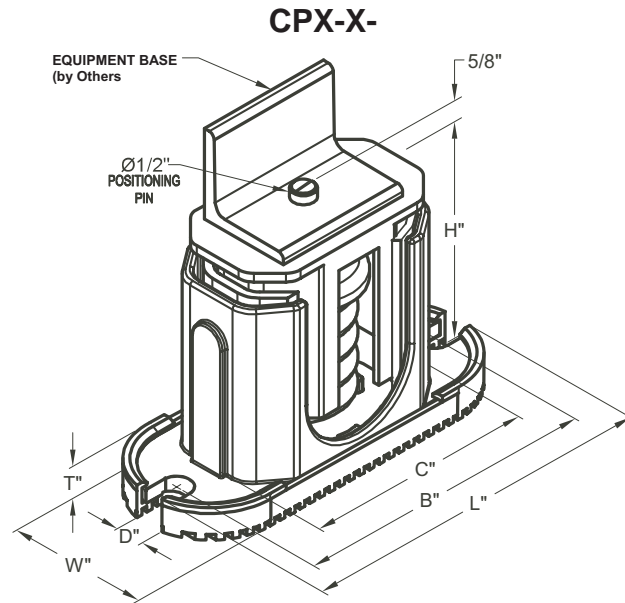


HIGH EFFICIENCY - SI								
MODEL YCIV	ISOLATOR LOCATIONS (X , Y) - MM AND POINT LOADS - KG							
60 HZ		1	2	3	4	5	6	7
0157EV	LEFT - L	(230 , 2204)	(1510 , 2204)	(2780 , 2204)	(5360 , 2204)			
	AL FIN COILS	772	723	756	730			
	CU FIN COILS	772	774	912	885			
	RS&LS1 / AL FIN COILS	853	804	756	730			
	RS&LS1 / CU FIN COILS	853	855	912	885			
	RIGHT - R	(230 , 32)	(1510 , 32)	(2780 , 32)	(5360 , 32)			
	AL FIN COILS	772	723	756	730			
	CU FIN COILS	772	774	912	885			
0177EV	LEFT - L	(230 , 2204)	(1510 , 2204)	(2780 , 2204)	(4970 , 2204)	(6740 , 2204)		
	AL FIN COILS	770	707	707	578	351		
	CU FIN COILS	770	762	861	750	424		
	RS&LS1 / AL FIN COILS	851	788	707	578	351		
	RS&LS1 / CU FIN COILS	851	843	861	750	424		
	RIGHT - R	(230 , 32)	(1510 , 32)	(2780 , 32)	(4970 , 32)	(6740 , 32)		
	AL FIN COILS	770	707	707	563	301		
	CU FIN COILS	770	762	861	735	374		
0187EV	LEFT - L	(230 , 2204)	(1510 , 2204)	(2780 , 2204)	(4970 , 2204)	(6740 , 2204)		
	AL FIN COILS	778	717	760	584	372		
	CU FIN COILS	778	772	914	756	445		
	RS&LS1 / AL FIN COILS	859	798	760	584	372		
	RS&LS1 / CU FIN COILS	859	853	914	756	445		
	RIGHT - R	(230 , 32)	(1510 , 32)	(2780 , 32)	(4970 , 32)	(6740 , 32)		
	AL FIN COILS	770	708	708	584	372		
	CU FIN COILS	770	763	862	756	445		
0197EV	LEFT - L	(230 , 2204)	(1510 , 2204)	(2780 , 2204)	(4970 , 2204)	(6740 , 2204)		
	AL FIN COILS	780	730	734	614	390		
	CU FIN COILS	780	785	888	786	463		
	RS&LS1 / AL FIN COILS	861	811	734	614	390		
	RS&LS1 / CU FIN COILS	861	866	888	786	463		
	RIGHT - R	(230 , 32)	(1510 , 32)	(2780 , 32)	(4970 , 32)	(6740 , 32)		
	AL FIN COILS	780	730	734	614	390		
	CU FIN COILS	780	785	888	786	463		
0207EV	LEFT - L	(230 , 2204)	(1510 , 2204)	(2470 , 2204)	(4100 , 2204)	(5350 , 2204)	(7820 , 2204)	
	AL FIN COILS	780	732	491	451	496	432	
	CU FIN COILS	780	773	600	576	654	541	
	RS&LS1 / AL FIN COILS	861	813	491	451	496	432	
	RS&LS1 / CU FIN COILS	861	854	600	576	654	541	
	RIGHT - R	(230 , 32)	(1510 , 32)	(2470 , 32)	(4100 , 32)	(5350 , 32)	(7820 , 32)	
	AL FIN COILS	780	732	491	451	489	433	
	CU FIN COILS	780	773	600	576	647	542	
RS&LS1 / AL FIN COILS	861	813	491	451	489	433		
RS&LS1 / CU FIN COILS	861	854	600	576	649	542		

HIGH EFFICIENCY - SI								
MODEL YCIV	ISOLATOR LOCATIONS (X , Y) - MM AND POINT LOADS - KG							
60 HZ		1	2	3	4	5	6	7
0227E/V	LEFT - L	(230 , 2204)	(1510 , 2204)	(2470 , 2204)	(4100 , 2204)	(5350 , 2204)	(7820 , 2204)	
	AL FIN COILS	780	733	492	453	500	455	
	CU FIN COILS	780	774	601	578	658	564	
	RS&LS1 / AL FIN COILS	861	814	492	453	500	455	
	RS&LS1 / CU FIN COILS	861	855	601	578	658	564	
	RIGHT - R	(230 , 32)	(1510 , 32)	(2470 , 32)	(4100 , 32)	(5350 , 32)	(7820 , 32)	
	AL FIN COILS	780	733	492	453	500	455	
	CU FIN COILS	780	774	601	578	658	564	
	RS&LS1 / AL FIN COILS	861	814	492	453	500	455	
RS&LS1 / CU FIN COILS	861	855	601	578	660	564		
0247E/V	LEFT - L	(230 , 2204)	(1510 , 2204)	(2470 , 2204)	(4100 , 2204)	(5350 , 2204)	(7820 , 2204)	
	AL FIN COILS	784	743	566	526	574	456	
	CU FIN COILS	784	784	675	651	732	565	
	RS&LS1 / AL FIN COILS	865	824	566	526	574	456	
	RS&LS1 / CU FIN COILS	865	865	675	651	732	565	
	RIGHT - R	(230 , 32)	(1510 , 32)	(2470 , 32)	(4100 , 32)	(5350 , 32)	(7820 , 32)	
	AL FIN COILS	780	739	566	526	574	456	
	CU FIN COILS	780	780	675	651	732	565	
	RS&LS1 / AL FIN COILS	861	820	566	526	574	456	
RS&LS1 / CU FIN COILS	861	861	675	651	734	565		
0267E/V	LEFT - L	(230 , 2204)	(1475 , 2204)	(2823 , 2204)	(5199 , 2204)	(7236 , 2204)	(9346 , 2204)	
	AL FIN COILS	795	719	826	834	981	533	
	CU FIN COILS	805	797	982	991	1137	611	
	RS&LS1 / AL FIN COILS	875	799	826	834	1011	633	
	RS&LS1 / CU FIN COILS	885	877	982	991	1167	741	
	RIGHT - R	(230 , 32)	(1475 , 32)	(2823 , 32)	(5199 , 32)	(7236 , 32)	(9346 , 32)	
	AL FIN COILS	795	724	1092	1131	1250	535	
	CU FIN COILS	805	802	1248	1288	1406	613	
	RS&LS1 / AL FIN COILS	875	804	1092	1131	1280	665	
RS&LS1 / CU FIN COILS	885	882	1248	1288	1436	743		
0287E/V	LEFT - L	(230 , 2204)	(1510 , 2204)	(2780 , 2204)	(4710 , 2204)	(7225 , 2204)	(9105 , 2204)	(10463 , 2204)
	AL FIN COILS	795	719	838	848	714	476	421
	CU FIN COILS	805	786	967	1023	889	605	475
	RS&LS1 / AL FIN COILS	875	799	838	848	714	556	501
	RS&LS1 / CU FIN COILS	855	866	967	1023	889	685	555
	RIGHT - R	(230 , 32)	(1510 , 32)	(2780 , 32)	(4710 , 32)	(7225 , 32)	(9105 , 32)	(10463 , 32)
	AL FIN COILS	795	724	1104	1145	1063	508	421
	CU FIN COILS	805	778	1233	1320	1238	637	475
	RS&LS1 / AL FIN COILS	875	804	1104	1145	1063	588	501
RS&LS1 / CU FIN COILS	885	858	1233	1320	1238	717	555	
0327E/V	LEFT - L	(230 , 2204)	(1510 , 2204)	(2780 , 2204)	(4710 , 2204)	(7225 , 2204)	(9105 , 2204)	(10463 , 2204)
	AL FIN COILS	795	719	886	897	886	517	421
	CU FIN COILS	805	786	1015	1072	1061	646	475
	RS&LS1 / AL FIN COILS	875	799	886	897	886	597	501
	RS&LS1 / CU FIN COILS	885	876	1015	1072	1061	726	555
	RIGHT - R	(230 , 32)	(1510 , 32)	(2780 , 32)	(4710 , 32)	(7225 , 32)	(9105 , 32)	(10463 , 32)
	AL FIN COILS	795	724	1152	1194	1152	522	421
	CU FIN COILS	805	778	1281	1369	1327	651	475
	RS&LS1 / AL FIN COILS	875	804	1152	1194	1152	602	501
RS&LS1 / CU FIN COILS	885	858	1281	1369	1327	731	555	
0357E/V	LEFT - L	(230 , 2204)	(1510 , 2204)	(2780 , 2204)	(4710 , 2204)	(7572 , 2204)	(9530 , 2204)	(11582 , 2204)
	AL FIN COILS	801	729	886	897	926	637	471
	CU FIN COILS	811	796	1015	1072	1101	766	525
	RS&LS1 / AL FIN COILS	881	809	886	897	926	717	551
	RS&LS1 / CU FIN COILS	891	876	1015	1072	1101	846	605
	RIGHT - R	(230 , 32)	(1510 , 32)	(2780 , 32)	(4710 , 32)	(7572 , 32)	(9530 , 32)	(11582 , 32)
	AL FIN COILS	801	734	1152	1194	1192	642	471
	CU FIN COILS	811	788	1281	1369	1367	771	525
	RS&LS1 / AL FIN COILS	881	814	1152	1194	1192	722	551
RS&LS1 / CU FIN COILS	891	868	1281	1369	1367	851	605	

NOTES: 1. RS = REDUCED SOUND OPTION, LS = LOW SOUND OPTION

ONE INCH DEFLECTION SPRING ISOLATOR CROSS-REFERENCE



MOUNT TYPE	DIMENSION DATA (INCHES)						
	W	D	L	B	C	T	H
CP	3	5/8	7-3/4	6-1/2	4-3/4	1/2	5-5/8
C2P	3	5/8	10-1/2	9-1/4	7-3/4	9/16	6

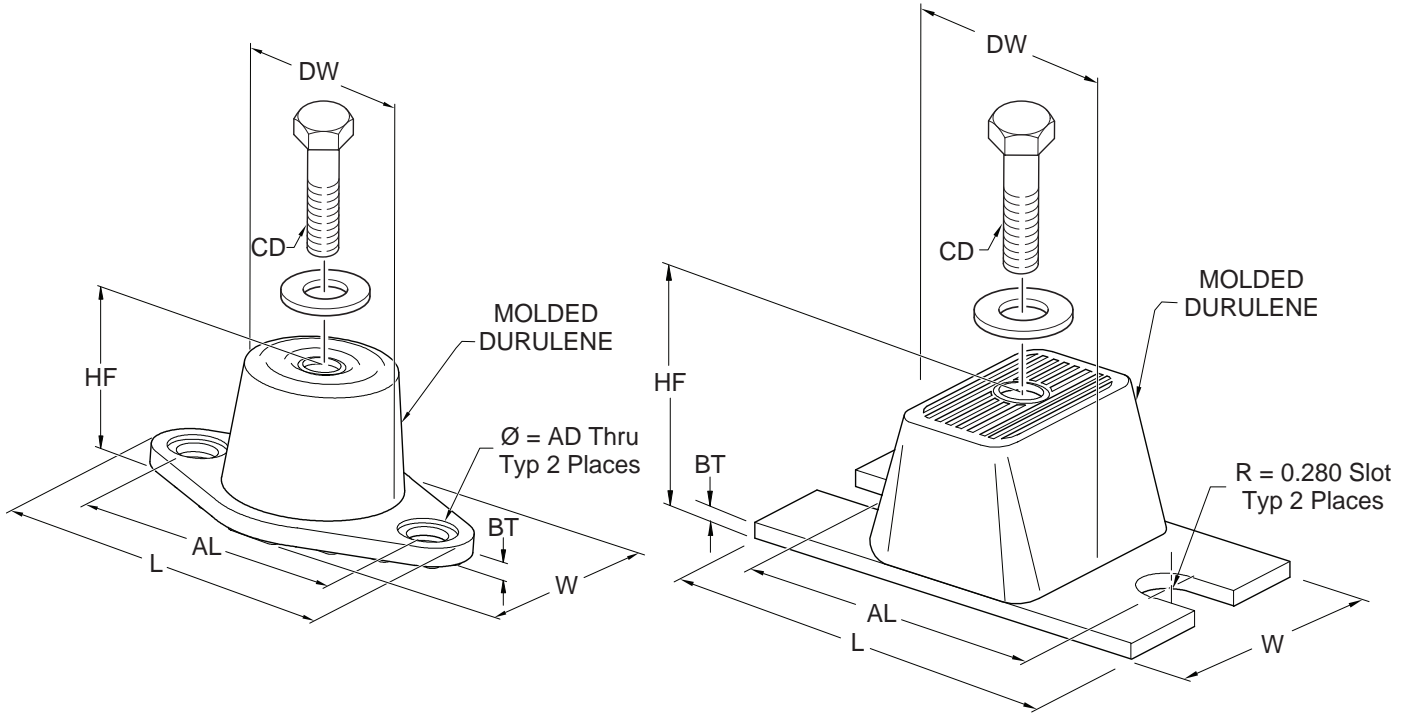
MODEL NUMBER	COLOR CODE	RATED CAPACITY (FOR UNITS WITH ALL LOAD POINTS LESS THAN 1785 LBS (810 KG))	
		(LBS.)	(KG)
CP-1D-510	BLACK	UP THRU 434	UP THRU 197
CP-1D-900	DARK GREEN	435 THRU 765	198 THRU 347
CP-1D-1200	GRAY	766 THRU 1020	348 THRU 463
CP-1D-1360	WHITE	1021 THRU 1156	464 THRU 524
CP-1D-1785N	GRAY/RED	1157 THRU 1785	525 THRU 810

MODEL NUMBER	COLOR CODE	RATED CAPACITY (FOR UNITS WITH ANY LOAD POINT ABOVE 1518 LBS (689 KG))	
		(LBS.)	(KG)
C2P-1D-1350	DARK PURPLE	UP THRU 1148	UP TO 521
C2P-1D-1800	DARK GREEN	1149 THRU 1530	522 - 694
C2P-1D-2400	GRAY	1531 THRU 2040	695 - 925
C2P-1D-2400	GRAY	1531 THRU 2040	695 - 925
C2P-1D-2720	WHITE	2041 THRU 2312	926 - 1049
C2P-1D-3570N	GRAY/RED	2313 THRU 3570	1050 - 1619

Note: Do not mix isolators types

ELASTOMERIC ISOLATOR CROSS-REFERENCE

RD-Style Isolators



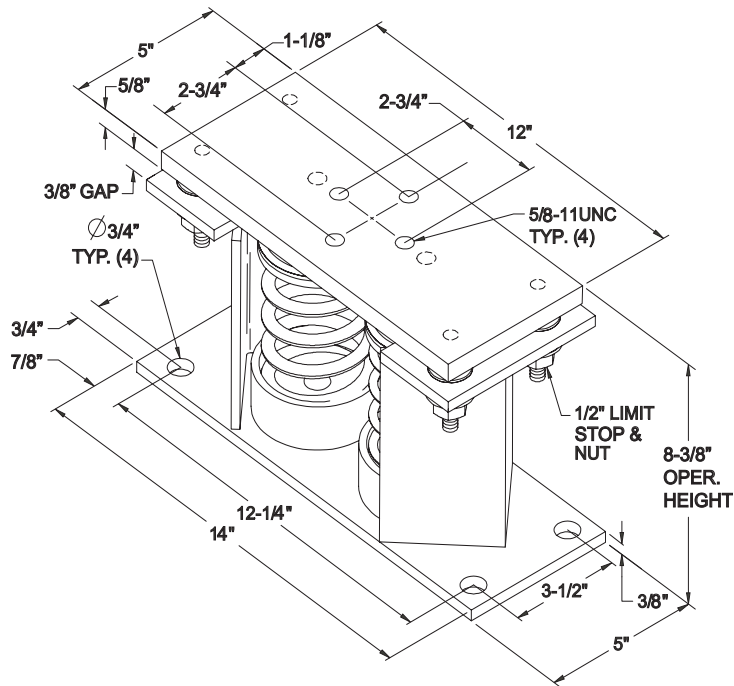
LD17304

MOUNT TYPE	DIMENSION DATA (INCHES)							
	L	W	HF	AL	AD	BT	CD	DW
RD1-WR	3.13	1.75	1.25	2.38	0.34	0.19	5/16-18 UNC X 3/4	1.25
RD2-WR	3.88	2.38	1.75	3.00	0.34	0.22	3/8-16 UNC X 1	1.75
RD3-WR	5.50	3.38	2.88	4.13	0.56	0.25	1/2-13 UNC X 1	2.50
RD4-WR	6.25	4.63	2.75	5.00	0.56	0.38	1/2-13 UNC X 1	3.00

MODEL NUMBER	ISOLATOR COLOR	WEIGHT RANGE (LBS)	WEIGHT RANGE (KGS)
RD-3-CHARCOAL-WR	CHARCOAL	UP THRU 825	UP TO 374
RD-4-BRICK RED-WR	BRICK RED	826 THRU 1688	375 - 766
RD-4-CHARCOAL-WR	CHARCOAL	1689 THRU 4000	767 - 1814

TWO INCH DEFLECTION, SEISMIC SPRING ISOLATOR CROSS-REFERENCE

Y2RS



MODEL Y2RSI-2D SEISMICALLY RESTRAINED VIBRATION ISOLATOR FOR 2" DEFLECTION

MODEL NUMBER	ISOL. COLOR	WEIGHT RANGE (LBS)	WEIGHT RANGE (KGS)
Y2RSI-2D-460	GREEN	UP THRU 391	UP TO 177
Y2RSI-2D-710	DARK BROWN	392 THRU 604	178 - 274
Y2RSI-2D-870	RED	605 THRU 740	275 - 336
Y2RSI-2D-1200N	RED/BLACK	741 THRU 1020	337 - 463
Y2RSI-2D-1690	PINK	1021 THRU 1437	464 - 652
Y2RSI-2D-2640N	PINK/GRAY	1438 THRU 2244	653 - 1018
Y2RSI-2D-2870N	PINK/GRAY/ORANGE	2245 THRU 2618	1019 - 1188
Y2RSI-2D-3280N	PINK/GRAY/DK.BROWN	2619 THRU 3740	1189 - 1696

Note: Do not mix isolators types

INTENTIONALLY LEFT BLANK

Electrical Data - 2 Comp Standard Efficiency

FORM 201.23-EG1 (1013)

STANDARD EFFICIENCY YCIV____ S/P											
MODEL NO./NAMEPLATE			SYSTEM 1								
			STD. & ULTRA QUIET COND. FANS			HIGH HEAD/STATIC COND. FANS			TWO-SPEED COND. FANS		
YCIV S/P	INPUT VOLTS (9)	INPUT FREQ	COMPRES-SOR RLA (5)	CONDENSER FANS		COMPRES-SOR RLA (5)	CONDENSER FANS		COMPRES-SOR RLA (5)	CONDENSER FANS	
				QTY.	FLA (EA)		QTY.	FLA (EA)		QTY.	FLA (EA)
0157	460	60	120	4	2.8						
	380	60	152	4	3.5	152	4	9.3			
0177	460	60	159	4	2.8						
	380	60	201	4	3.5	201	4	9.3			
0187	460	60	162	5	2.8						
	380	60	205	5	3.5	205	5	9.3			
0207	460	60	145	5	2.8						
	380	60	184	5	3.5	184	5	9.3			
0227	460	60	162	5	2.8						
	380	60	205	5	3.5	205	5	9.3			
0247	460	60	193	6	2.8						
	380	60	245	6	3.5	245	6	9.3			
0267	460	60	191	6	2.8						
	380	60	242	6	3.5	242	6	9.3			

YCIV S/P	CONTROL KVA (7)	UNIT SHORT CIRCUIT WITHSTAND (KA)		FIELD WIRING & PROTECTION			
		TERMINAL BLOCK (STD)	CIRCUIT BREAKER (OPT)	STD. & ULTRA QUIET COND. FANS			
				MINIMUM CKT. AMPACITY (MCA) (3)	RECOMMENDED FUSE/CKT. BREAKER RATING (4)	MAX. INVERSE TIME CKT. BRKR. RATING (2)	MAX DUAL ELEMENT FUSE SIZE (2)
0157	1.8	30KA	65KA	293	350	400	400
	1.8	30KA	65KA	370	450	500	500
0177	1.8	30KA	65KA	326	400	450	450
	1.8	30KA	65KA	413	500	600	600
0187	1.8	30KA	65KA	348	400	500	500
	1.8	30KA	65KA	440	500	600	600
0207	1.8	30KA	65KA	373	450	500	500
	1.8	30KA	65KA	472	600	600	600
0227	1.8	30KA	65KA	392	450	500	500
	1.8	30KA	65KA	496	600	700	700
0247	1.8	30KA	65KA	433	500	600	600
	1.8	30KA	65KA	547	700	700	700
0267	1.8	30KA	65KA	464	600	600	600
	1.8	30KA	65KA	587	700	800	800

See page 138 for Electrical Data footnotes.

STANDARD EFFICIENCY YCIV____S/P								
SYSTEM 2								
STD. & ULTRA QUIET COND. FANS			HIGH HEAD/STATIC COND. FANS			TWO-SPEED COND. FANS		
COMPRES-SOR RLA (5)	CONDENSER FANS		COMPRES-SOR RLA (5)	CONDENSER FANS		COMPRES-SOR RLA (5)	CONDENSER FANS	
	QTY.	FLA (EA)		QTY.	FLA (EA)		QTY.	FLA (EA)
120	4	2.8						
152	4	3.5	152	4	9.3			
105	4	2.8						
133	4	3.5	133	4	9.3			
120	4	2.8						
152	4	3.5	152	4	9.3			
162	4	2.8						
206	4	3.5	206	4	9.3			
162	5	2.8						
205	5	3.5	205	5	9.3			
160	5	2.8						
203	5	3.5	203	5	9.3			
191	6	2.8						
242	6	3.5	242	6	9.3			

HIGH HEAD/HIGH STATIC FANS				TWO-SPEED COND. FANS			
MINIMUM CKT. AMPACITY (MCA) (3)	RECOMMENDED FUSE/CKT. BREAKER RATING (4)	MAX. INVERSE TIME CKT. BRKR. RATING (2)	MAX DUAL ELEMENT FUSE SIZE (2)	MINIMUM CKT. AMPACITY (MCA) (3)	RECOMMENDED FUSE/CKT. BREAKER RATING (4)	MAX. INVERSE TIME CKT. BRKR. RATING (2)	MAX DUAL ELEMENT FUSE SIZE (2)
417	500	500	500				
459	600	600	600				
492	600	700	700				
525	600	700	700				
554	700	700	700				
610	700	800	800				
657	800	800	800				

Electrical Data - 2 Comp High Efficiency

HIGH EFFICIENCY YCIV____E/V											
MODEL NO./NAMEPLATE			SYSTEM 1								
			STD. & ULTRA QUIET COND. FANS			HIGH HEAD/STATIC COND. FANS			TWO-SPEED COND. FANS		
YCIV E/V	INPUT VOLTS (9)	INPUT FREQ	COMPRES-SOR	CONDENSER FANS		COMPRES-SOR	CONDENSER FANS		COMPRES-SOR	CONDENSER FANS	
			RLA (5)	QTY.	FLA (EA)	RLA (5)	QTY.	FLA (EA)	RLA (5)	QTY.	FLA (EA)
0157	460	60	110	4	2.8						
	380	60	139	4	3.5	139	4	9.3			
0177	460	60	111	5	2.8						
	380	60	141	5	3.5	141	5	9.3			
0187	460	60	154	5	2.8						
	380	60	195	5	3.5	195	5	9.3			
0197	460	60	141	5	2.8						
	380	60	179	5	3.5	179	5	9.3			
0207	460	60	141	6	2.8						
	380	60	179	6	3.5	179	6	9.3			
0227	460	60	150	6	2.8						
	380	60	190	6	3.5	190	6	9.3			
0247	460	60	194	6	2.8						
	380	60	245	6	3.5	245	6	9.3			

YCIV E/V	CONTROL KVA (7)	UNIT SHORT CIRCUIT WITHSTAND (KA)		FIELD WIRING & PROTECTION			
				STD. & ULTRA QUIET COND. FANS			
		TERMINAL BLOCK (STD)	CIRCUIT BREAKER (OPT)	MINIMUM CKT. AMPACITY (MCA) (3)	RECOMMENDED FUSE/CKT. BREAKER RATING (4)	MAX. INVERSE TIME CKT. BRKR. RATING (2)	MAX DUAL ELEMENT FUSE SIZE (2)
0157	1.8	30KA	65KA	270	300	350	350
	1.8	30KA	65KA	341	400	450	450
0177	1.8	30KA	65KA	288	350	400	400
	1.8	30KA	65KA	365	450	500	500
0187	1.8	30KA	65KA	325	400	450	450
	1.8	30KA	65KA	411	500	600	600
0197	1.8	30KA	65KA	345	400	450	450
	1.8	30KA	65KA	437	500	600	600
0207	1.8	30KA	65KA	362	450	500	500
	1.8	30KA	65KA	458	600	600	600
0227	1.8	30KA	65KA	371	450	500	500
	1.8	30KA	65KA	469	600	600	600
0247	1.8	30KA	65KA	424	500	600	600
	1.8	30KA	65KA	536	700	700	700

HIGH EFFICIENCY YCIV_ _ _ _ E/V								
SYSTEM 2								
STD. & ULTRA QUIET COND. FANS			HIGH HEAD/STATIC COND. FANS			TWO-SPEED COND. FANS		
COMPRES-SOR	CONDENSER FANS		COMPRES-SOR	CONDENSER FANS		COMPRES-SOR	CONDENSER FANS	
RLA (5)	QTY.	FLA (EA)	RLA (5)	QTY.	FLA (EA)	RLA (5)	QTY.	FLA (EA)
110	4	2.8						
139	4	3.5	139	4	9.3			
122	4	2.8						
154	4	3.5	154	4	9.3			
105	5	2.8						
132	5	3.5	132	5	9.3			
141	5	2.8						
179	5	3.5	179	5	9.3			
152	5	2.8						
193	5	3.5	193	5	9.3			
150	6	2.8						
190	6	3.5	190	6	9.3			
149	6	2.8						
188	6	3.5	188	6	9.3			

HIGH HEAD/HIGH STATIC FANS				TWO-SPEED COND. FANS			
MINIMUM CKT. AMPACITY (MCA) (3)	RECOMMENDED FUSE/CKT. BREAKER RATING (4)	MAX. INVERSE TIME CKT. BRKR. RATING (2)	MAX DUAL ELEMENT FUSE SIZE (2)	MINIMUM CKT. AMPACITY (MCA) (3)	RECOMMENDED FUSE/CKT. BREAKER RATING (4)	MAX. INVERSE TIME CKT. BRKR. RATING (2)	MAX DUAL ELEMENT FUSE SIZE (2)
388	450	500	500				
417	500	500	500				
469	600	600	600				
495	600	600	600				
522	600	700	700				
539	600	700	700				
606	700	800	800				

Electrical Data - 3 & 4 Comp Standard Efficiency

FORM 201.23-EG1 (1013)

MODEL			SYSTEM 1									SYSTEM 2											
			STD. & ULTRA QUIET COND. FANS			HIGH HEAD/STATIC COND. FANS			TWO-SPEED COND. FANS			STD. & ULTRA QUIET COND. FANS			HIGH HEAD/STATIC COND. FANS			TWO-SPEED COND. FANS					
Y CIV S/P	INPUT VOLTS (9)	INPUT FREQ	COMP.	COND. FANS			COMP.	COND. FANS			COMP.	COND. FANS			COMP.	COND. FANS			COMP.	COND. FANS			
			RLA (5)	QTY.	FLA (EA)	RLA (5)	QTY.	FLA (EA)	RLA (5)	QTY.	FLA (EA)	RLA (5)	QTY.	FLA (EA)	RLA (5)	QTY.	FLA (EA)	RLA (5)	QTY.	FLA (EA)	RLA (5)	QTY.	FLA (EA)
0287	460	60	146	5	2.8							164	4	2.8									
	380	60	184	5	3.5	184	5	9.3				207	4	3.5	207	4	9.3						
0307	460	60	147	5	2.8							147	5	2.8									
	380	60	186	5	3.5	186	5	9.3				186	5	3.5	186	5	9.3						
0357	460	60	160	5	2.8							160	5	2.8									
	380	60	202	5	3.5	202	5	9.3				202	5	3.5	202	5	9.3						
0397	460	60	191	6	2.8							191	6	2.8									
	380	60	241	6	3.5	241	6	9.3				241	6	3.5	241	6	9.3						
0457	380	60	N/A	N/A	N/A	234	6	6	N/A	N/A	N/A	N/A	N/A	N/A	223	6	6	N/A	N/A	N/A	N/A	N/A	N/A

Y CIV S/P	CONTROL KVA (7)	UNIT SHORT CIRCUIT WITHSTAND (KA)		FIELD WIRING & PROTECTION					
				STD. & ULTRA QUIET COND. FANS				HIGH HEAD/HIGH STATIC FANS	
		TERMINAL BLOCK (STD)	CIRCUIT BREAKER (OPT)	MINIMUM CKT. AMPACITY (MCA) (3)	RECOM. FUSE/CKT. BREAKER RATING (4)	MAX. INVERSE TIME CKT. BRKR. RATING (2)	MAX DUAL ELEMENT FUSE SIZE (2)	MINIMUM CKT. AMPACITY (MCA) (3)	RECOM-MENDED FUSE/CKT. BREAKER RATING (4)
0287	2.4	30KA	65KA	494	600	600	600		
	2.4	30KA	65KA	624	700	800	800	676	800
0307	2.4	30KA	65KA	540	600	700	700		
	2.4	30KA	65KA	682	800	800	800	731	800
0357	2.4	30KA	65KA	607	700	800	800		
	2.4	30KA	65KA	766	1000	1000	1000	827	1000
0397	2.4	30KA	65KA	671	800	800	800		
	2.4	30KA	65KA	847	1000	1000	1000	911	1000
0457	4	30KA	65KA	N/A	N/A	N/A	N/A	569	700

See page 138 for Electrical Data footnotes.

SYSTEM 3									SYSTEM 4								
STD. & ULTRA QUIET COND. FANS			HIGH HEAD/STATIC COND. FANS			TWO-SPEED COND. FANS			STD & ULTRA QUIET COND FANS			HIGH HEAD/STATIC COND. FANS			TWO-SPEED COND FANS		
COMP.	COND. FANS		COMP.	COND. FANS		COMP.	COND. FANS		COMP.	COND. FANS		COMP.	COND. FANS		COMP.	COND. FANS	
RLA (5)	QTY.	FLA (EA)	RLA (5)	QTY.	FLA (EA)	RLA (5)	QTY.	FLA (EA)	RLA (5)	QTY.	FLA (EA)	RLA (5)	QTY.	FLA (EA)	RLA (5)	QTY.	FLA (EA)
108	4	2.8															
136	4	3.5	136	4	9.3												
165	4	2.8															
208	4	3.5	208	4	9.3												
193	6	2.8															
244	6	3.5	244	6	9.3												
191	6	2.8															
241	6	3.5	241	6	9.3												
N/A	N/A	N/A	234	3	6	N/A	N/A	N/A	N/A	N/A	N/A	223	3	6	N/A	N/A	N/A

FIELD WIRING & PROTECTION						FIELD WIRING LUGS							
HIGH HEAD/HIGH STATIC FANS		TWO-SPEED COND. FANS				STD TERMINAL BLOCK				OPT CIRCUIT BREAKER			
MAX. INVERSE TIME CKT. BRKR. RATING (2)	MAX DUAL ELEMENT FUSE SIZE (2)	MINIMUM CKT. AMPACITY (MCA) (3)	RECOM-MENDED FUSE/ CKT. BREAKER RATING (4)	MAX. INVERSE TIME CKT. BRKR. RATING (2)	MAX DUAL ELEMENT FUSE SIZE (2)	SYSTEMS 1 & 3		SYSTEMS 2 & 4		SYSTEMS 1 & 3		SYSTEMS 2 & 4	
						LUGS/ PHASE (1)	LUG WIRE RANGE	LUGS/ PHASE (1)	LUG WIRE RANGE	LUGS/ PHASE (1)	LUG WIRE RANGE	LUGS/ PHASE (1)	LUG WIRE RANGE
						4	#2 - 600 KCM			4	#4/0 - 500 KCM		
800	800					4	#2 - 600 KCM			4	#4/0 - 500 KCM		
						4	#2 - 600 KCM			4	#4/0 - 500 KCM		
800	800					4	#2 - 600 KCM			4	#4/0 - 500 KCM		
						4	#2 - 600 KCM			4	#4/0 - 500 KCM		
1000	1000					4	#2 - 600 KCM			4	#4/0 - 500 KCM		
						4	#2 - 600 KCM			4	#4/0 - 500 KCM		
1000	1000					4	#2 - 600 KCM			4	#4/0 - 500 KCM		
800	800	N/A	N/A	N/A	N/A	3	#2 - 600KCM	3	#2 - 600KCM	4	#2 -400KCM	4	#2 -400KCM

Electrical Data - 3 Comp High Efficiency

FORM 201.23-EG1 (1013)

MODEL NO./NAMEPLATE			SYSTEM 1									SYSTEM 2		
			STD. & ULTRA QUIET COND. FANS			HIGH HEAD/STATIC COND. FANS			TWO-SPEED COND. FANS			STD. & ULTRA QUIET COND. FANS		
YCV E/V	INPUT VOLTS (9)	INPUT FREQ	COMP.	CONDENSER FANS		COMP.	CONDENSER FANS		COMP.	CONDENSER FANS		COMP.	CONDENSER FANS	
			RLA (5)	QTY.	FLA (EA)	RLA (5)	QTY.	FLA (EA)	RLA (5)	QTY.	FLA (EA)	RLA (5)	QTY.	FLA (EA)
0267	460	60	142	5	2.8							142	5	2.8
	380	60	179	5	3.5	179	5	9.3				179	4	3.5
0287	460	60	137	5	2.8							137	5	2.8
	380	60	173	5	3.5	173	5	9.3				173	5	3.5
0327	460	60	152	5	2.8							152	5	2.8
	380	60	193	5	3.5	193	5	9.3				193	5	3.5
0357	460	60	181	6	2.8							181	6	2.8
	380	60	229	6	3.5	229	6	9.3				229	6	3.5

YCV S/P	CONTROL KVA (7)	UNIT SHORT CIRCUIT WITHSTAND (KA)		FIELD WIRING & PROTECTION					
				STD. & ULTRA QUIET COND. FANS				HIGH HEAD/HIGH STATIC FANS	
		TERMINAL BLOCK (STD)	CIRCUIT BREAKER (OPT)	MINIMUM CKT. AMPACITY (MCA) (3)	RECOMMENDED FUSE/CKT. BREAKER RATING (4)	MAX. INVERSE TIME CKT. BRKR. RATING (2)	MAX DUAL ELEMENT FUSE SIZE (2)	MINIMUM CKT. AMPACITY (MCA) (3)	RECOMMENDED FUSE/CKT. BREAKER RATING (4)
0287	2.4	30KA	65KA	463	600	600	600		
	2.4	30KA	65KA	581	700	700	700	632	800
0307	2.4	30KA	65KA	486	600	600	600		
	2.4	30KA	65KA	610	700	700	700	659	800
0357	2.4	30KA	65KA	528	600	600	600		
	2.4	30KA	65KA	667	800	800	800	728	800
0397	2.4	30KA	65KA	598	700	700	700		
	2.4	30KA	65KA	755	800	800	800	818	1000

See page 138 for Electrical Data footnotes.

SYSTEM 2						SYSTEM 3								
HIGH HEAD/STATIC COND. FANS			TWO-SPEED COND. FANS			STD. & ULTRA QUIET COND. FANS			HIGH HEAD/STATIC COND. FANS			TWO-SPEED COND. FANS		
COMP.	CONDENSER FANS		COMP.	CONDENSER FANS		COMP.	CONDENSER FANS		COMP.	CONDENSER FANS		COMP.	CONDENSER FANS	
RLA (5)	QTY.	FLA (EA)	RLA (5)	QTY.	FLA (EA)	RLA (5)	QTY.	FLA (EA)	RLA (5)	QTY.	FLA (EA)	RLA (5)	QTY.	FLA (EA)
						105	4	2.8						
179	4	9.3				133	4	3.5	133	4	9.3			
						137	5	2.8						
173	5	9.3				173	4	3.5	173	4	9.3			
						141	6	2.8						
193	5	9.3				178	6	3.5	178	6	9.3			
						139	6	2.8						
229	6	9.3				176	6	3.5	176	6	9.3			

FIELD WIRING & PROTECTION						FIELD WIRING LUGS			
HIGH HEAD/HIGH STATIC FANS		TWO-SPEED COND. FANS				STD TERMINAL BLOCK		OPT CIRCUIT BREAKER	
MAX. IN-VERSE TIME CKT. BRKR. RATING (2)	MAX DUAL ELEMENT FUSE SIZE (2)	MINIMUM CKT. AMPACITY (MCA) (3)	RECOMMENDED FUSE/CKT. BREAKER RATING (4)	MAX. IN-VERSE TIME CKT. BRKR. RATING (2)	MAX DUAL ELEMENT FUSE SIZE (2)	LUGS/PHASE (1)	LUG WIRE RANGE	LUGS/PHASE (1)	LUG WIRE RANGE
						4	#2 - 600 KCM	4	#4/0 - 500 KCM
800	800					4	#2 - 600 KCM	4	#2 - 600 KCM
						4	#2 - 600 KCM	4	#2 - 600 KCM
800	800					4	#2 - 600 KCM	4	#2 - 600 KCM
						4	#2 - 600 KCM	4	#2 - 600 KCM
800	800					4	#2 - 600 KCM	4	#2 - 600 KCM
						4	#2 - 600 KCM	4	#2 - 600 KCM
1000	1000					4	#2 - 600 KCM	4	#2 - 600 KCM

Electrical Notes

1. As standard, all 2 and 3 compressor units have single point power connections. The YCIV0457PA/ YCIV1649PA has dual point power connection as standard. Contact factory for information regarding dual point power 2 and 3 compressor units.
2. Maximum Inverse Time Circuit Breaker or Dual Element Fuse - 225% of the largest compressor RLA plus the sum of all other loads per NEC 440.22 (A).
3. MCA - Minimum Circuit Ampacity - 125% of the largest compressor RLA plus 100% of the remaining compressor RLA's plus the sum of all condenser fan FLA's per NEC 440.33
4. Recommended time delay or dual element fuse size - 150% of the largest compressor RLA plus 100% of the remaining compressor RLA's plus the sum of all condenser fan FLA's.
5. RLA - Rated Load Amps - rated in accordance with UL standard 1995.
6. Local codes may take precedence.
7. Control KVA includes operational controls and evaporator heaters.
8. System inrush current is less than RLA due to the use of York Variable Speed Drive technology. Typical Compressor Starting Current (first four seconds of startup):

<u>Rated Voltage</u>	<u>Typical Starting Current per Compressor</u>
380-400/50/3	28A
380/60/3	29A
460/60/3	23A

9. Voltage Utilization Range:

<u>Rated Voltage</u>	<u>Utilization Range</u>
380-415/50/3	360 - 440
380/60/3	342 - 402
460/60/3	414 - 508

LEGEND

C.B.	CIRCUIT BREAKER
D.E.	DUAL ELEMENT FUSE
DISC SW	DISCONNECT SWITCH
FACT CB	FACTORY-MOUNTED CIRCUIT BREAKER
FLA	FULL LOAD AMPS
HZ	HERTZ
MAX	MAXIMUM
MCA	MINIMUM CIRCUIT AMPACITY
MIN	MINIMUM
MIN NF	MINIMUM NON-FUSED
RLA	RATED LOAD AMPS
S.P. WIRE	SINGLE-POINT WIRING

NOTES:

1. U.L. Label is provided on 50 and 60 Hz units for these electrical wiring configurations.
2. — — — — — Dashed Line = Field Provided Wiring.
3. The above recommendations are based on the National Electric Code and using copper conductors only. Field wiring must also comply with local codes. Group Rated breaker must be HACR type for cUL machines.

2 COMPRESSOR POWER WIRING CONNECTIONS

2 COMPRESSOR POWER WIRING CONNECTIONS

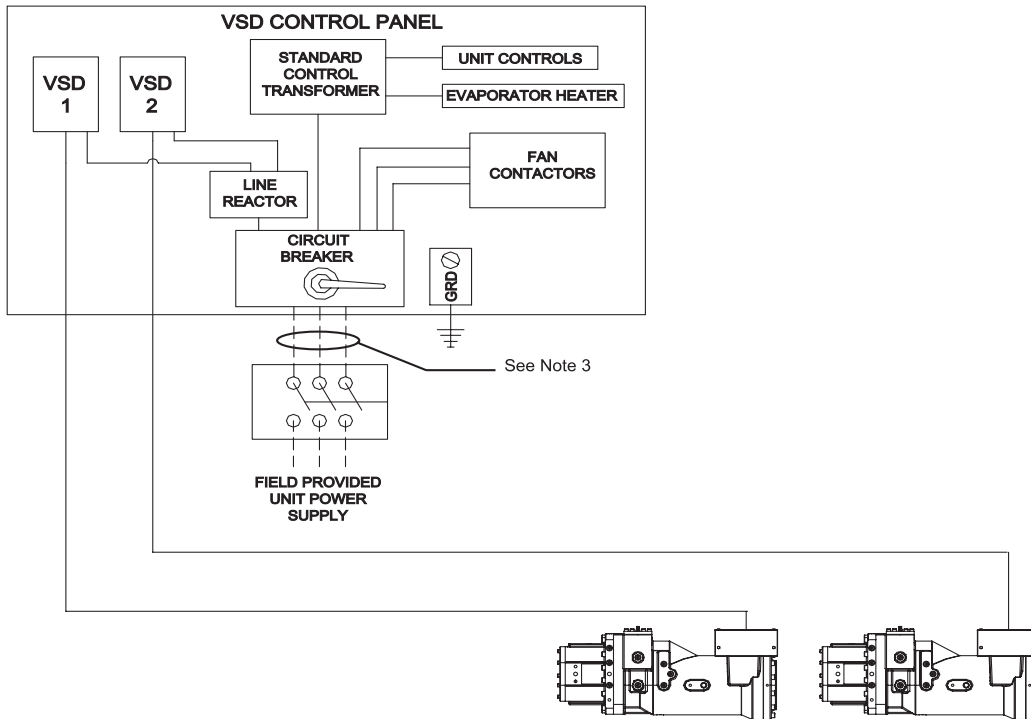


FIG. 1 – TWO COMPRESSOR WIRING DIAGRAM WITH CIRCUIT BREAKER

2 COMPRESSOR POWER WIRING CONNECTIONS

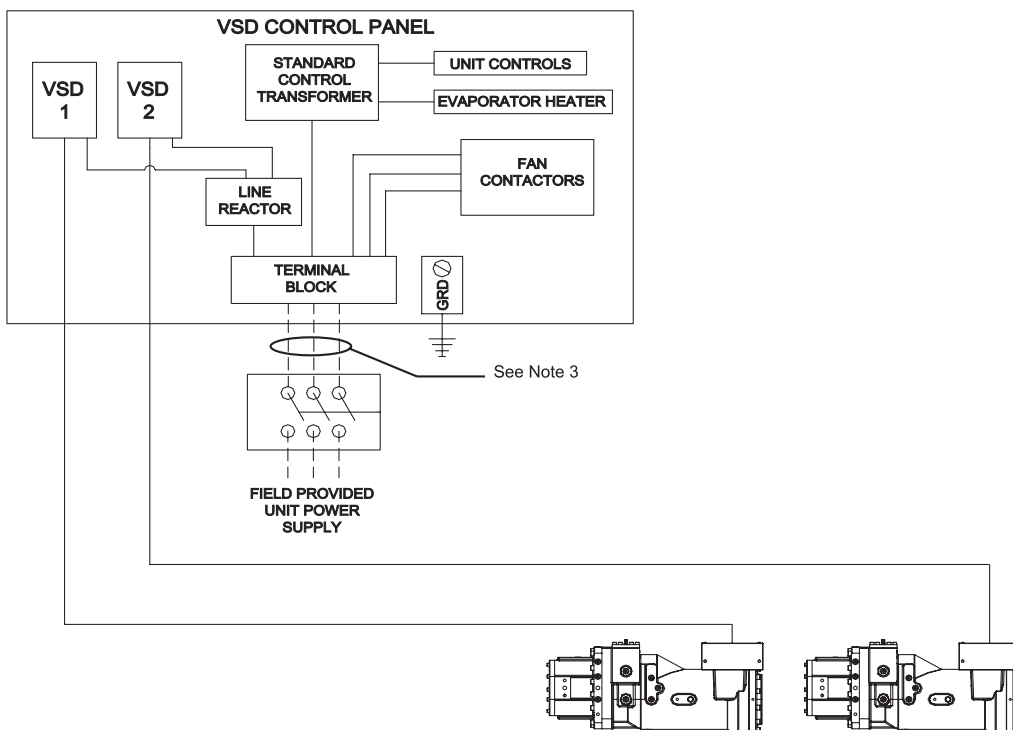


FIG. 2 – TWO COMPRESSOR WIRING DIAGRAM WITH TERMINAL BLOCK

3 COMPRESSOR POWER WIRING CONNECTIONS

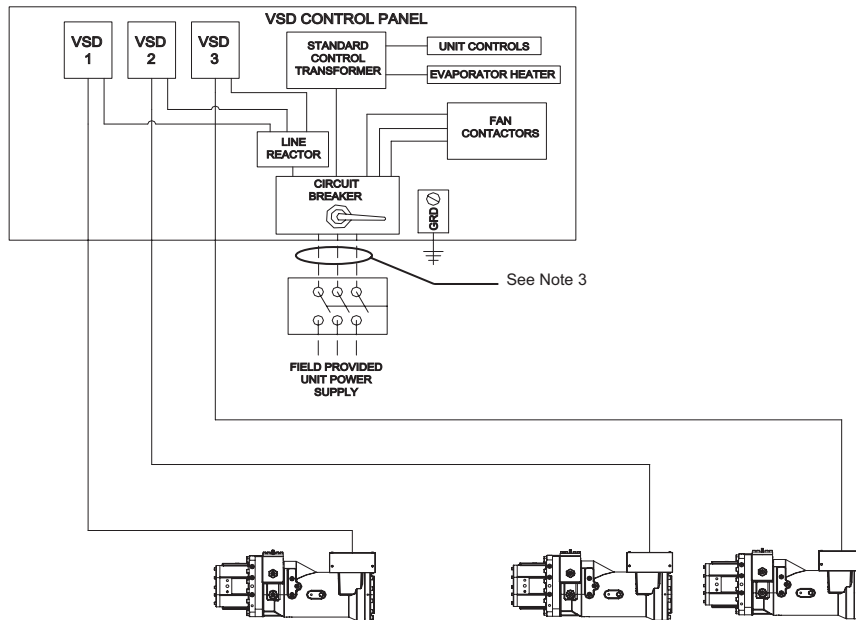


FIG. 3 – THREE COMPRESSOR WIRING DIAGRAM WITH CIRCUIT BREAKER – SINGLE POINT

3 COMPRESSOR POWER WIRING CONNECTIONS

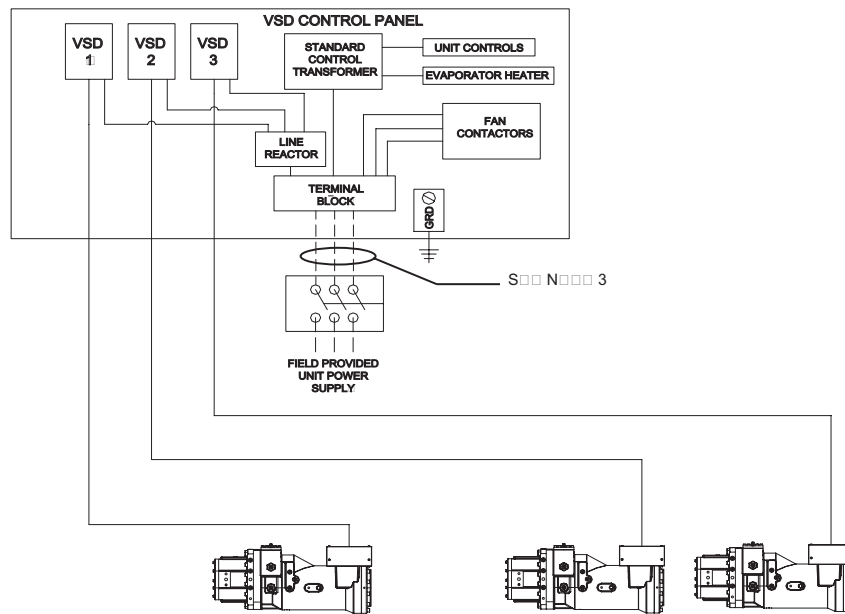


FIG. 4 – THREE COMPRESSOR WIRING DIAGRAM WITH TERMINAL BLOCK – SINGLE POINT

4 COMPRESSOR POWER WIRING CONNECTIONS

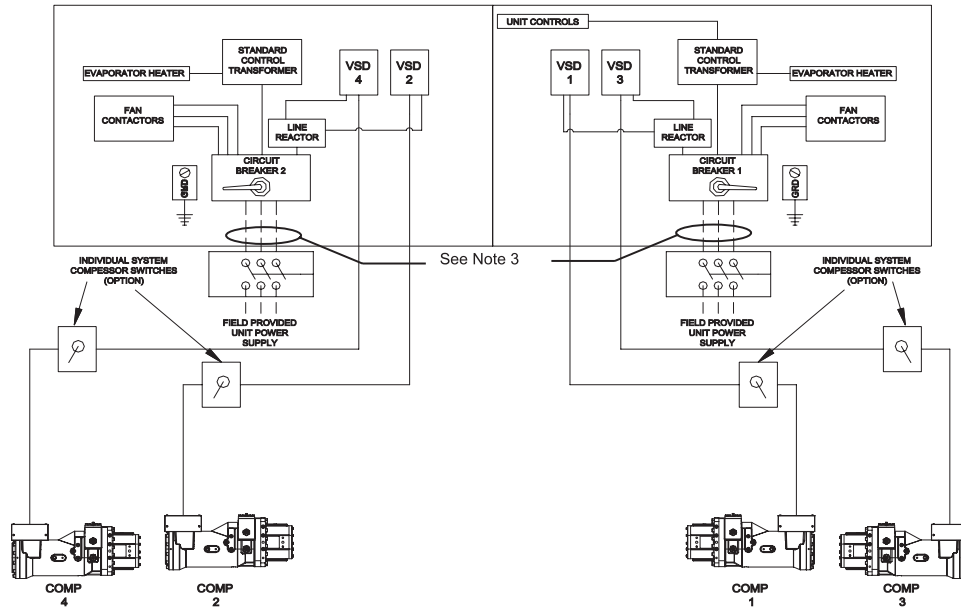


FIG. 7 – FOUR COMPRESSOR WIRING DIAGRAM WITH CIRCUIT BREAKER – MULTI POINT

4 COMPRESSOR POWER WIRING CONNECTIONS

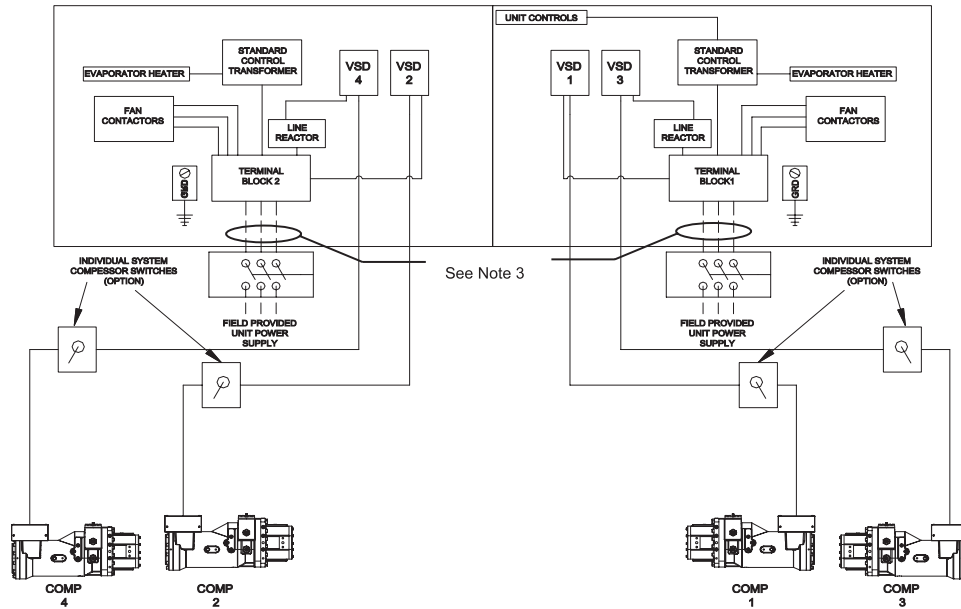
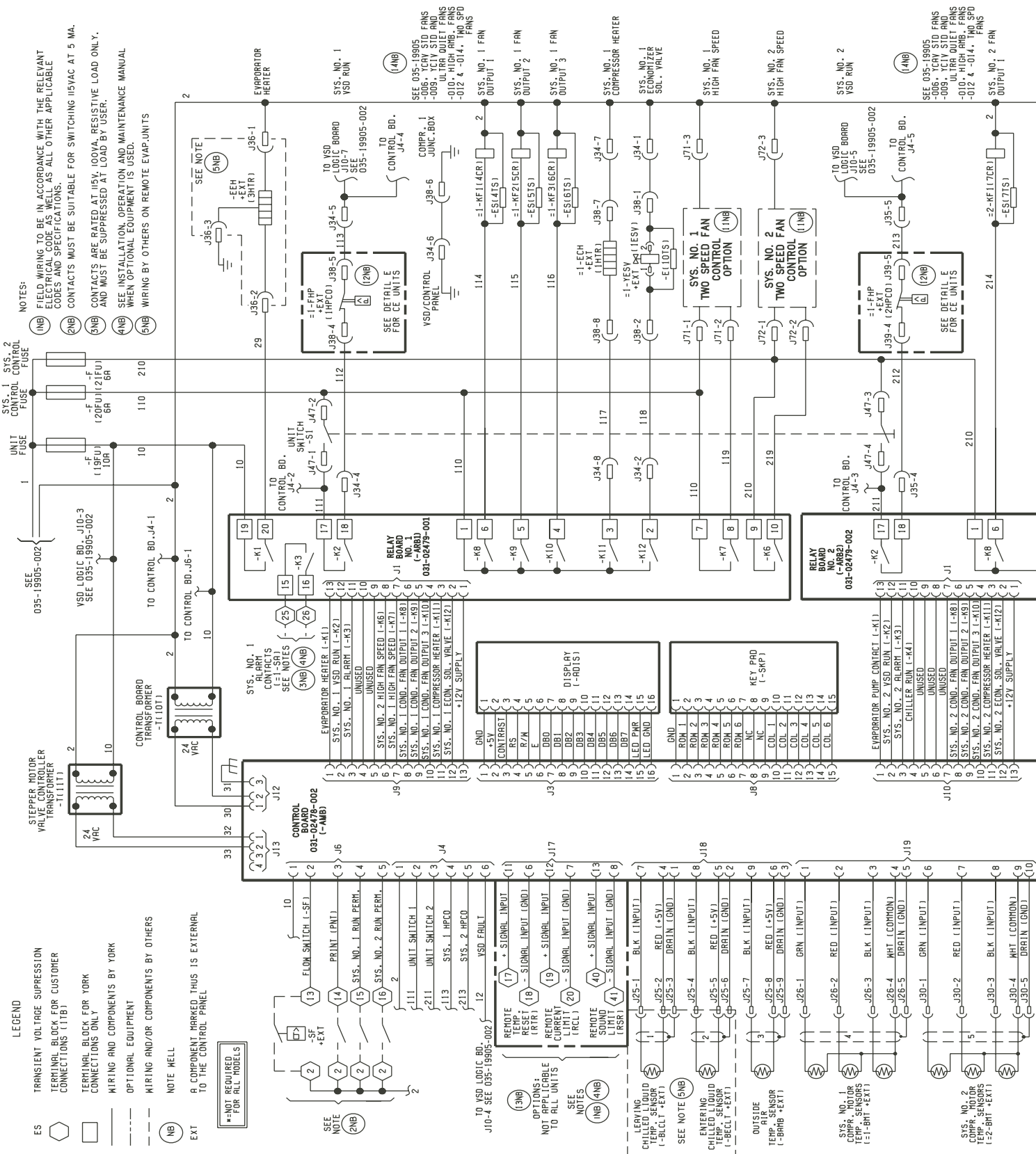
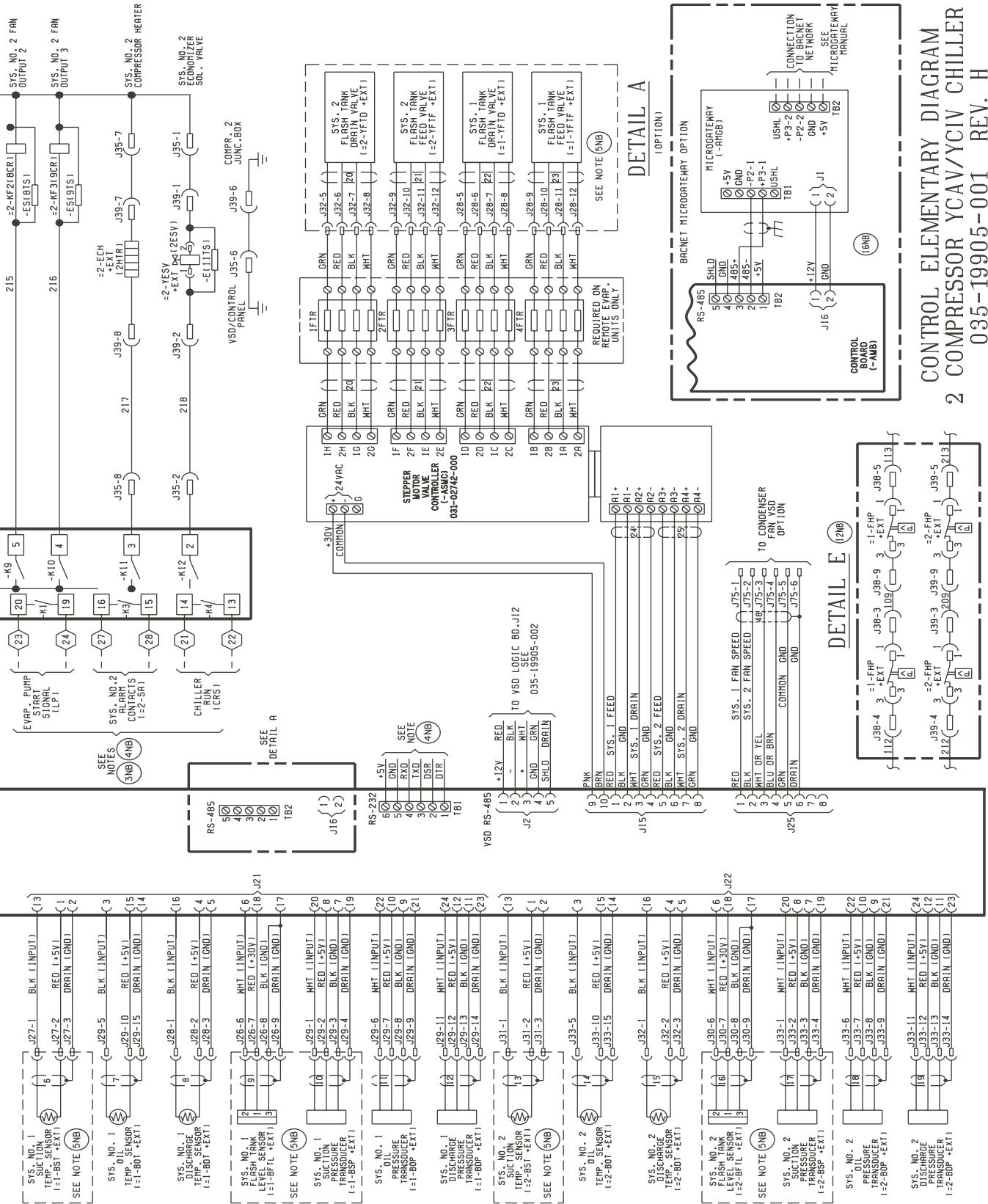


FIG. 8 – FOUR COMPRESSOR WIRING DIAGRAM WITH TERMINAL BLOCK – MULTI POINT

Typical Control Wiring - Two Compressor

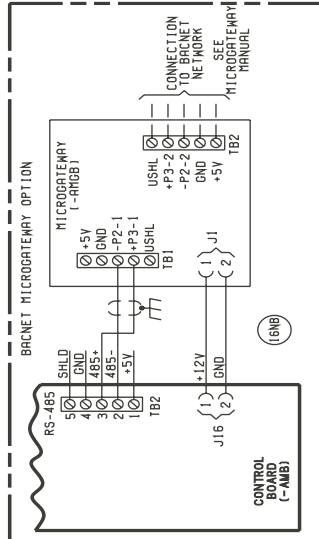




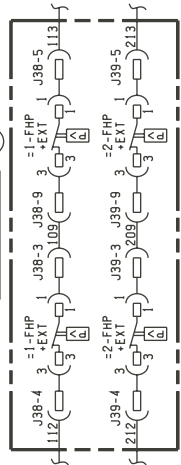
For informational purposes only. Do not attempt to tie into wiring without a proper wiring diagram.
JOHNSON CONTROLS

CONTROL ELEMENTARY DIAGRAM 2 COMPRESSOR YCAV/YCIV CHILLER 035-19905-001 REV. H

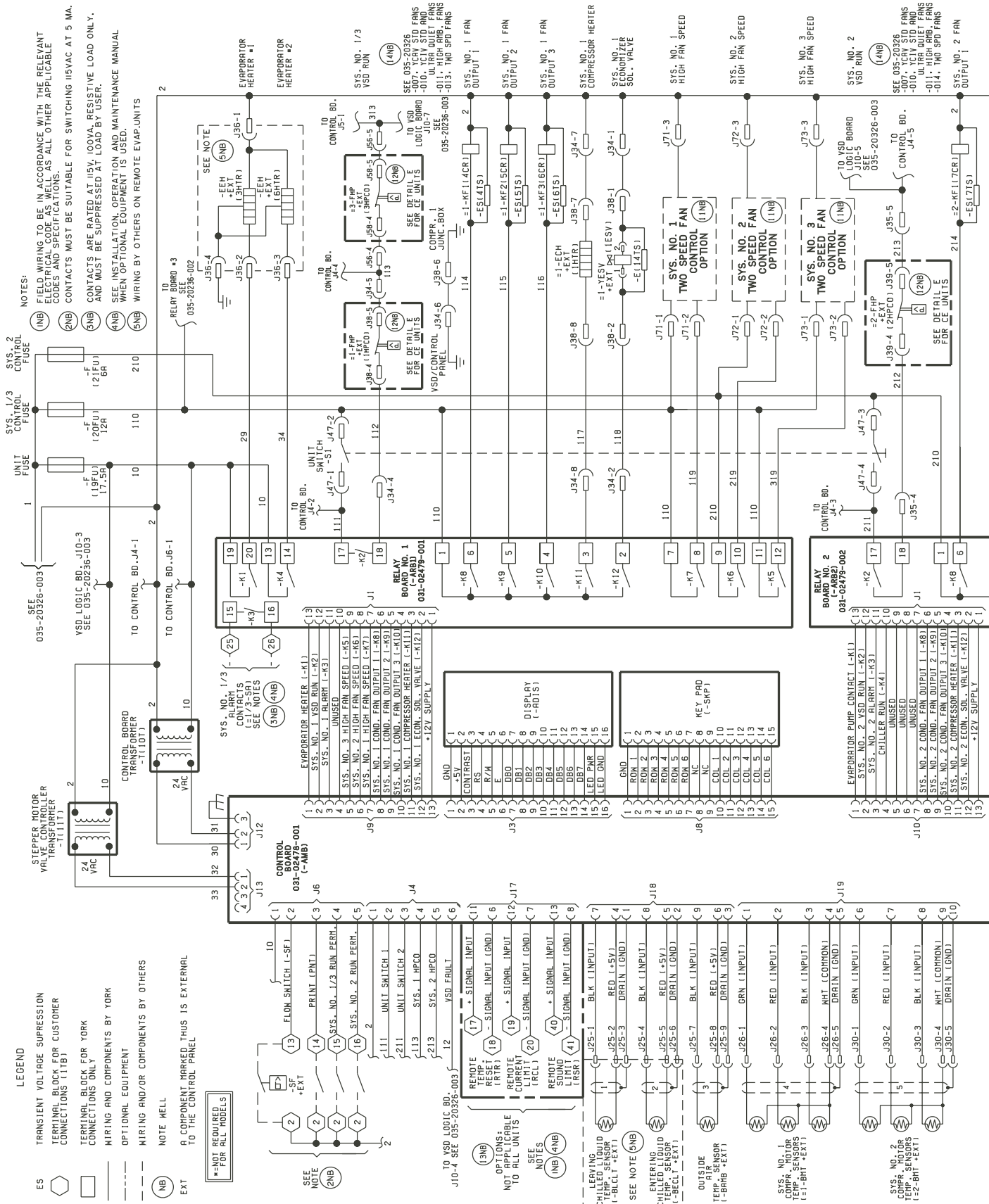
DETAIL A

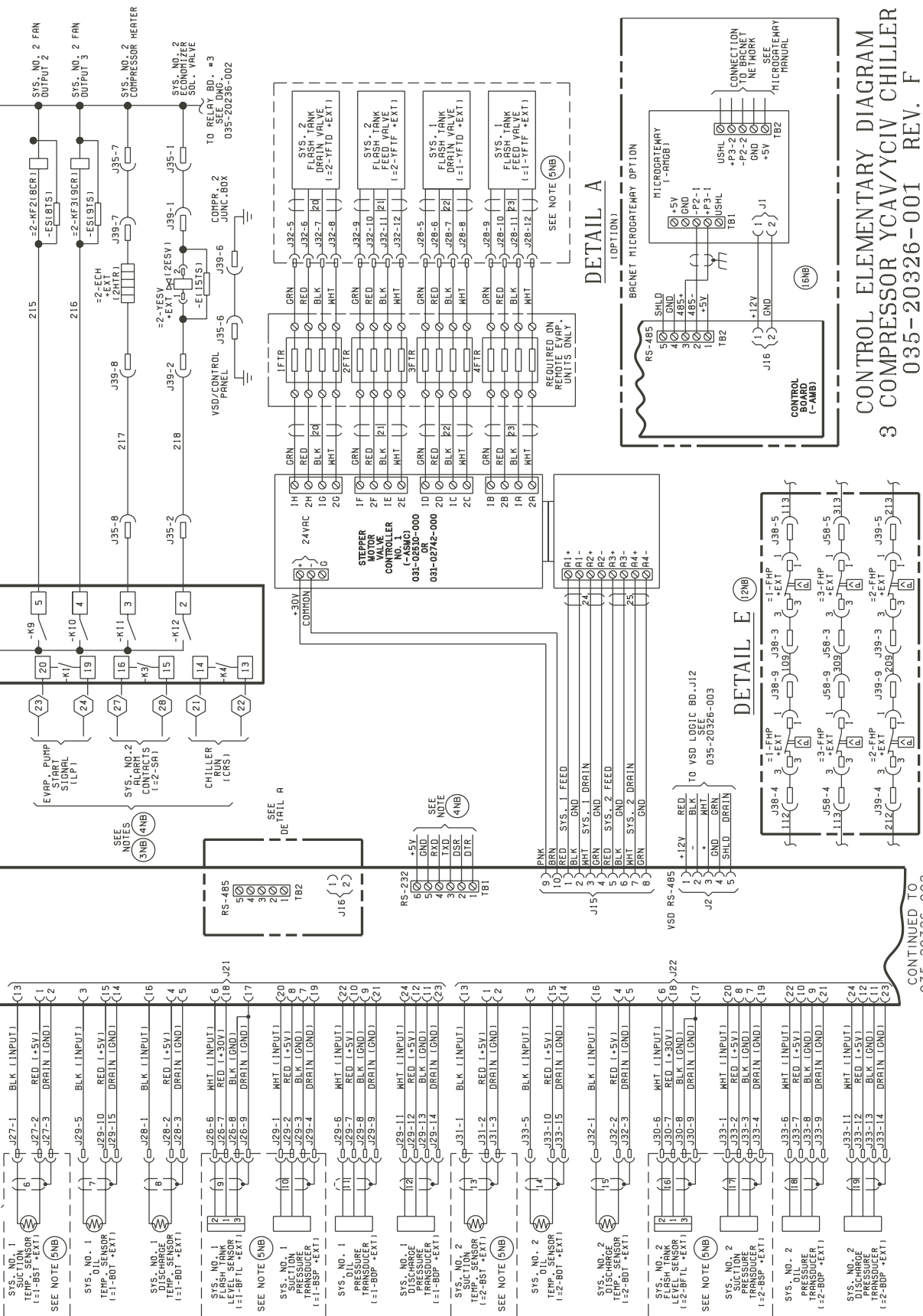


DETAIL E



Typical Control Wiring - Three Compressor

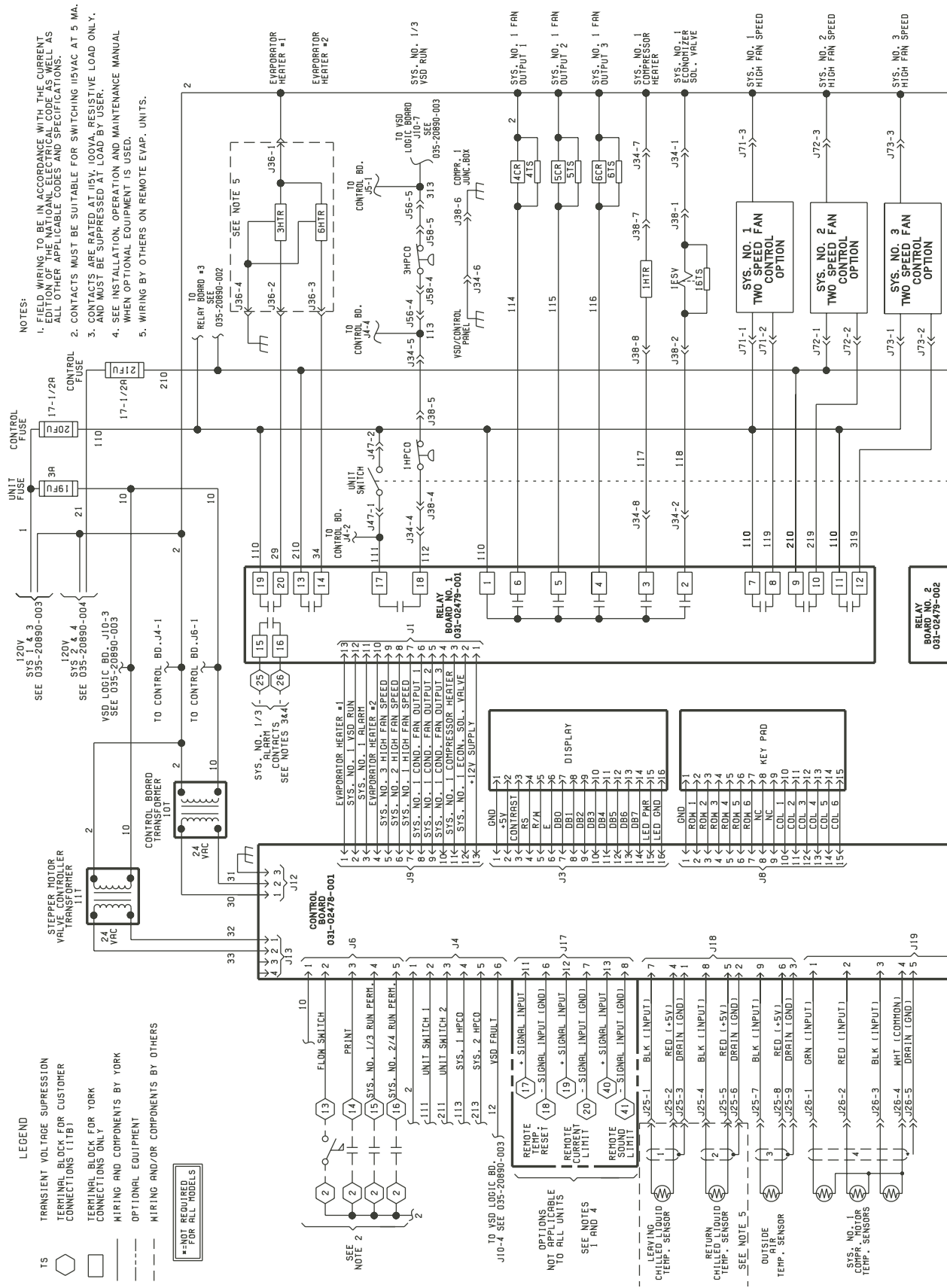


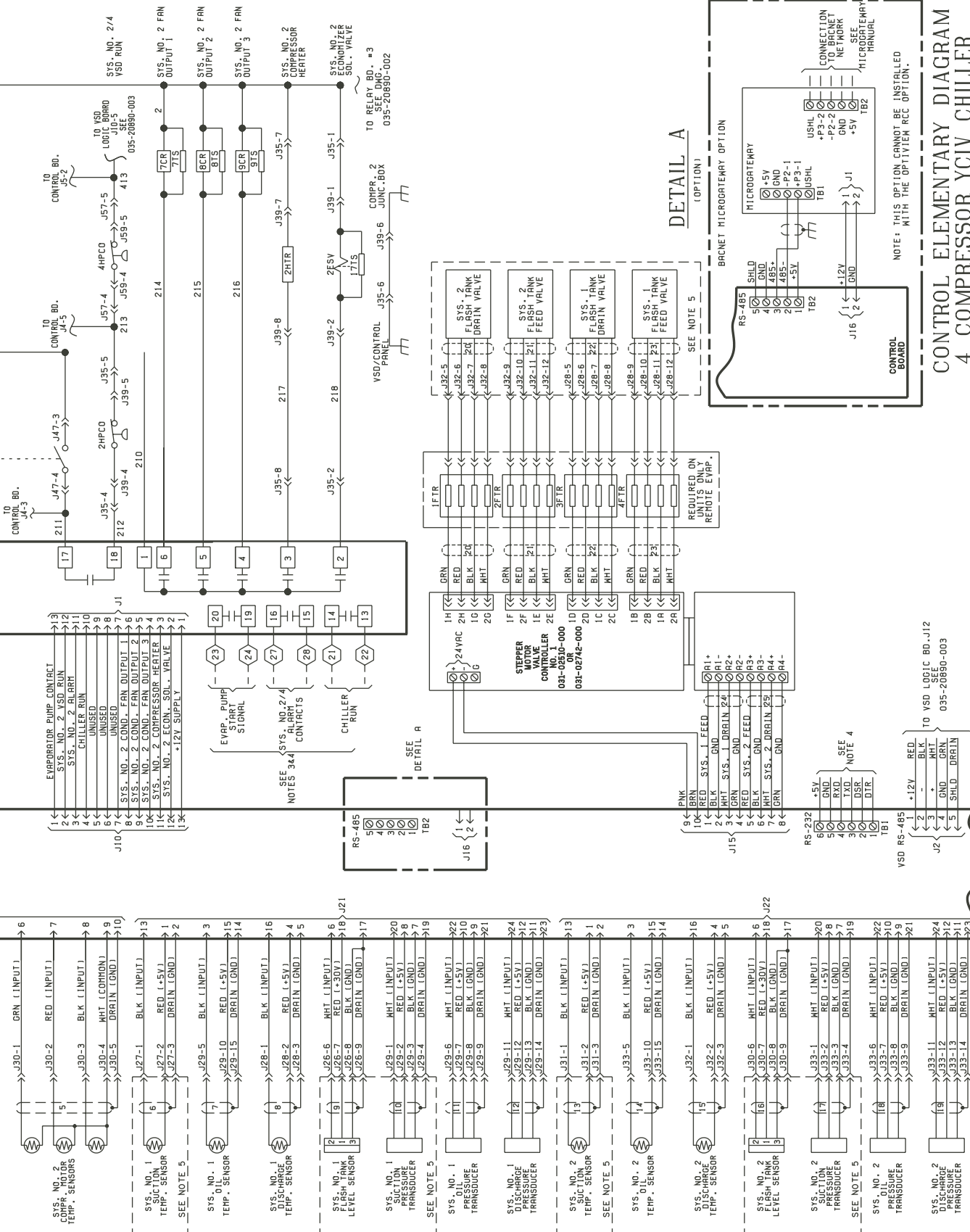


**CONTROL ELEMENTARY DIAGRAM
3 COMPRESSOR YCAV/YCIV CHILLER
035-20326-001 REV. F**

CONTINUED TO
035-20326-002

Typical Control Wiring - Four Compressor





CONTROL ELEMENTARY DIAGRAM
4 COMPRESSOR YCIV CHILLER
035-20890-001 REV. E

CONTINUED TO 035-20890-002

Application Data

UNIT LOCATION

The YCIV chillers are designed for outdoor installation. When selecting a site for installation, be guided by the following requirements:

1. Installation sites may be either on a roof or on ground level. (See **FOUNDATION**)
2. Select a place having an adequate supply of fresh air for the condensers. Recommended clearances for all units are shown on the **DIMENSIONS** pages.
3. Avoid locations near windows or structures where normal operating sounds may be objectionable.
4. The condenser fans are propeller-type and are not recommended for use with ductwork, filters or other impediments to airflow in the condenser air stream.
5. When it is desirable to surround the unit(s), in addition to whatever optional louver package is selected, it is recommended that the screening be able to pass the required chiller CFM without exceeding 0.1" external static pressure.
6. Protection against corrosive environments is available by ordering the units with either copper fins or cured epoxy-coating on the condenser coils. Epoxy-coated coils should be utilized with any units being installed at the seashore, or where salt spray may hit the units, or where acid rain is prevalent (copper condenser coils are not recommended where they may be exposed to acid rain).
7. On installations where winter operation is intended and snow accumulations are expected, additional elevation must be provided to insure normal condenser air flow.

FOUNDATION

The unit should be mounted on a flat and level foundation, ground or roof, capable of supporting the entire operating weight of the equipment. Please contact your nearest Johnson Controls Sales Office for shipping and operating weights.

Roof Locations – Adequate structural strength to safely support the entire weight of the unit and service personnel must be provided. Care must be taken not to damage the roof during installation. If the roof is “bonded”, consult building contractor or architect for special installation requirements. Roof installations should incorporate the use of spring-type isolators to minimize the transmission of vibration into building structure. Additional support should be provided to the roof at the spring-isolator locations.

Ground Locations – Units must be installed on a substantial base that will not settle and cause strain on the refrigerant lines, resulting in possible leaks. A one-piece concrete slab, with footers extending below the frost line, is recommended. The slab should not be tied to the main building foundation as operational noise will telegraph.

Mounting holes (5/8") are provided in the base rails for bolting the unit to its foundation. See **DIMENSIONS** for location of the mounting holes.

For ground installations, precautions should be taken to protect the unit from tampering by, or injury to, unauthorized persons. Fasteners on access panels will prevent casual tampering; however, further safety precautions, such as unit enclosure options, a fenced-in enclosure, or locking devices on the panels may be advisable. Check local authorities for safety regulations.

CHILLED LIQUID PIPING

The chilled liquid piping system should be laid out so that the circulating pump discharges into the cooler. The inlet and outlet cooler-liquid connections are given in **DIMENSIONS**. Hand stop valves are recommended for use in all lines to facilitate servicing. Drain connections should be provided at all low points to permit complete drainage of the cooler and system piping.

The evaporator must be protected by a strainer, preferably of 40 mesh, fitted as close as possible to the liquid inlet connection, and provided with a means of local isolation.

The evaporator must not be exposed to flushing velocities or debris released during flushing. It is recommended that a suitably sized bypass and valve arrangement is installed to allow flushing of the piping system. The bypass can be used during maintenance to isolate the heat exchanger without disrupting flow to other units.

Pressure-gauge connections are recommended for installation in the inlet and outlet water lines. Gauges are not provided with the unit and are to be furnished by others.

Chilled liquid lines exposed to the weather should be wrapped with a supplemental heater cable and insulated, or glycol should be added to the chilled liquid to protect against freezing if low-ambient periods are expected.

A flow switch is available as an accessory on all units. A flow switch must be installed in the leaving water piping of the cooler and must not be used to start and stop the unit.

PART 1 — GENERAL

1.01 SCOPE

- A. The requirements of the General Conditions, Supplementary Conditions, and Drawings apply to all work herein.
- B. Provide microcomputer controlled, twin-screw compressor, air-cooled, liquid chillers of the scheduled capacities as shown and indicated on the drawings, including but not limited to:
 - 1. Chiller package
 - 2. Charge of refrigerant and oil.
 - 3. Electrical power and control connections
 - 4. Chilled water connections
 - 5. Factory start-up

1.02 QUALITY ASSURANCE

- A. Products shall be Designed, Tested, Rated and Certified IAW, and installed in compliance with applicable sections of the following Standards and Codes:
 - 1. AHRI 550/590 – Water Chilling Packages Using the Vapor Compression Cycle
 - 2. AHRI 70 – Sound Rating of Large Outdoor Refrigerating and Air Conditioning Equipment
 - 3. ANSI/ASHRAE Standard 15 – Safety Code for Mechanical Refrigeration
 - 4. ASHRAE 34 – Number Designation and Safety Classification of Refrigerants
 - 5. ASHRAE 90.1 – Energy Standard for Buildings Except Low-Rise Residential Buildings
 - 6. ANSI/NFPA Standard 70 – National Electrical Code (N.E.C).
 - 7. ASME Boiler and Pressure Vessel Code, Section VIII, Division 1.
 - 8. ASTM A48 – Gray Iron Castings
 - 9. OSHA – Occupational Safety and Health Act
 - 10. Manufactured in facility registered to ISO 9001
 - 11. Conform to Underwriters Laboratories (U.L.) for construction of chillers and provide U.L./cU.L. listing label.
- B. Factory Test: Chiller shall be pressure-tested, evacuated and fully charged with refrigerant and oil, and shall be operationally run tested with water flowing through the vessel at the factory.
- C. Chiller manufacturer shall have a factory trained and supported service organization.

- D. Warranty: Manufacturer shall Warrant all equipment and material of its manufacture against defects in workmanship and material for a period of eighteen (18) months from date of initial start-up or date of availability.

1.03 DELIVERY AND HANDLING

- A. Unit shall be delivered to job site fully assembled and charged with refrigerant and oil by the Manufacturer.
- B. During shipment, provide protective covering over vulnerable components. Fit nozzles and open ends with plastic enclosures.
- C. Unit shall be stored and handled per Manufacturer's instructions.

PART 2 — PRODUCTS

2.01 GENERAL

- A. Manufacturers: The design shown on the drawings is based on a Johnson Controls design. Alternate equipment will be acceptable if the equipment meets the scheduled performance and complies with Johnson Controls' specifications. If equipment manufactured by a manufacturer other than that scheduled is utilized, then the Mechanical Contractor shall be responsible for coordinating with the General Contractor and all affected Subcontractors to insure proper provisions for installation of the furnished unit. This coordination shall include, but not be limited to, the following:
 - 1. Structural supports for units.
 - 2. Piping size and connection/header locations.
 - 3. Electrical power requirements and wire/conduit and overcurrent protection sizes.
 - 4. Chiller physical size on plant layout.
 - 5. Site noise considerations.

The Mechanical Contractor shall be responsible for all costs incurred by the General Contractor, Subcontractors, and Consultants to modify the building provisions to accept the furnished units.

- B. Description: Install and commission, as shown on the schedules and plans, factory assembled, charged, and operational tested air-cooled screw compressor chiller(s) as specified herein. Chiller shall include, but is not limited to: a complete system with multiple independent refrigerant circuits, semihermetic twin screw compressors, shell and tube type evaporator, air-cooled condenser, HFC-134a refrigerant, lubrication system, interconnecting wiring, safety and operating

Guide Specifications

controls including capacity controller, control center, motor starting components, and special features as specified herein or required for safe, automatic operation.

C. Operating Characteristics:

1. Provide low ambient control and high ambient options as required to ensure unit is capable of operation from 0°F to 125°F (-18°C to 52°C) ambient.
2. Provide capacity control system capable of reducing unit capacity to (10% for 2 compressor units, 7.5% for 3 compressor units, and 5% for 4 compressor units) of full load. Compressor shall start in unloaded condition. Application of factory installed hot gas bypass shall be acceptable as required to meet specified minimum load.

D. Cabinet: Unit panels, structural elements, control boxes and heavy gauge structural base shall be constructed of galvanized steel. Unit panels, control boxes and structural base are finished with a baked on powder paint. All painted surfaces shall be coated with baked on powder paint which, when subject to ASTM B117, 1,000 hour, 5% salt spray test, yields minimum ASTM 1654 rating of "6".

E. Unit shall ship in one piece and shall require installer to provide only a single evaporator inlet and outlet pipe connection. If a chiller model that ships in multiple pieces is provided, bid shall include all the material and field labor costs for factory authorized personnel to install a trim kit to connect the pieces as well as all interconnecting piping and wiring.

2.02 COMPRESSORS AND MOTORS

A. Compressors: Shall be direct drive, semihermetic, rotary twin-screw type, including: muffler, temperature actuated 'off-cycle' heater, rain-tight terminal box, discharge shut-off service valve, and precision machined cast iron housing mounted on elastomeric isolators. Design working pressure of entire compressor, suction to discharge, shall be 350 psig (24 barg) or higher. Compressor shall be U.L. recognized.

B. Motors: Refrigerant suction-gas cooled accessible hermetic compressor motor, full suction gas flow through 0.006" maximum mesh screen, with inherent internal thermal overload protection and external current overload on all three phases.

C. Lubrication: External oil separators with no moving parts, 450 psig design working pressure, and UL listing are provided on the chiller. Refrigerant system differ-

ential pressure shall provide oil flow through service replaceable, 0.5 micron, full flow, cartridge type oil filter internal to compressor. Filter bypass, less restrictive media, or oil pump not acceptable.

D. Capacity Control: Compressors shall start at minimum load. Provide Microprocessor control to command compressor capacity to balance compressor capacity with cooling load. When required to meet minimum load, hot gas bypass shall be factory installed and integrated into standard control system.

2.03 REFRIGERANT CIRCUIT COMPONENTS

A. Each independent refrigerant circuit shall include: liquid line shutoff valve with charging port, low side pressure relief device, removable core filter-drier, sight glass with moisture indicator, and electronic expansion valve (EEV).

B. Chiller manufacturer shall provide independent circuit for each compressor to provide maximum redundancy during chiller operation. If equipment does not have independent circuits per compressor, manufacturer shall provide owner one spare compressor of each unique size.

C. Discharge lines shall be provided with manual compressor shutoff service valves. Suction line shall be covered with closed cell foam insulation.

2.04 HEAT EXCHANGERS

A. Evaporator:

1. Direct expansion type or flooded type shell and tube evaporator with high efficiency copper tubes. Independent refrigerant circuits shall be provided per compressor.
2. Constructed, tested, and stamped IAW applicable sections of ASME pressure vessel code for minimum 235 psig (16 barg) refrigerant side design working pressure and 150 psig (10 barg) water side design working pressure.
3. Shell covered with 3/4" (19mm), flexible, closed-cell insulation, thermal conductivity of 0.26k (BTU/HR-Ft²-°F/in.) maximum. Water nozzles with grooves for mechanical couplings, and insulated by Contractor after pipe installation.
4. Provide vent and drain fittings, and thermostatically controlled heaters to protect to -20°F (-29°C) ambient in off-cycle.

B. Air-cooled Condenser:

1. Coils: Internally enhanced, seamless copper tubes, mechanically expanded into aluminum

alloy fins with full height collars. Subcooling coil an integral part of condenser. Design working pressure shall be 450 psig (31 barg).

2. Low Sound Fans: Shall be dynamically and statically balanced, direct drive, corrosion resistant glass fiber reinforced composite blades molded into low noise, full airfoil cross section, providing vertical air discharge from extended orifices. Guards of heavy gauge, PVC (polyvinyl chloride) coated or galvanized steel.
3. Fan Motors: High efficiency, direct drive, 3-phase, insulation class "F", current protected, Totally Enclosed Air Over (TEAO), with double sealed, permanently lubricated ball bearings.

2.05 POWER AND ELECTRICAL REQUIREMENTS

A. Power/Control Panel:

1. NEMA 3R (IP55), powder painted steel cabinets with hinged, latched, and gasket sealed outer doors equipped with wind struts for safer servicing. Provide main power connection(s), compressor starters and fan motor contactors, current overloads, and factory wiring.
2. Panel shall include control display access door.

B. Single Point Power (As standard for 2 and 3 compressor chillers)

1. Provide single point power connection to chiller, shall be 3 phase of scheduled voltage.
2. Terminal Block connections shall be provided at the point of incoming single point connection.

C. Control Transformer: Power panel shall be supplied with a factory mounted and wired control transformer that will supply all unit control voltage from the main unit power supply. Transformer shall utilize scheduled line voltage on the primary side and provide 115V/1Ø on secondary.

D. Short Circuit Withstand Rating of the chiller electrical enclosure shall be (380, 400, & 460V: 65,000 Amps). Rating shall be IAW UL508.

E. Motor Starters: Motors starters shall be reduced inrush type (Wye-Delta or Solid State) for minimum electrical inrush. Across the line type starters will not be acceptable.

F. Power Factor:

1. Provide equipment with power factor correction capacitors as required to maintain a displacement power factor of 95% at all load conditions.

2. The installing contractor is responsible for additional cost to furnish and install power factor correction capacitors if they are not factory mounted and wired.

G. Exposed compressor and fan motor power wiring shall be routed through liquid tight conduit.

2.06 CONTROLS

A. General:

1. Provide automatic control of chiller operation including compressor start/stop and load/unload, anti-recycle timers, condenser fans, evaporator pump, evaporator heater, unit alarm contacts and run signal contacts.
2. Chiller shall automatically reset to normal chiller operation after power failure.
3. Unit operating software shall be stored in non-volatile memory. Field programmed set points shall be retained in lithium battery backed regulated time clock (RTC) memory for minimum 5 years.
4. Alarm contacts shall be provided to remote alert for any unit or system safety fault.

B. Display and Keypad:

1. Provide minimum 80 character liquid crystal display that is both viewable in direct sunlight and has LED backlighting for nighttime viewing. Provide one keypad and display panel per chiller.
2. Display and keypad shall be accessible through display access door without opening main control/electrical cabinet doors.
3. Display shall provide a minimum of unit setpoints, status, electrical data, temperature data, pressures, safety lockouts and diagnostics without the use of a coded display.
4. Descriptions in English (or available language options), numeric data in English (or Metric) units.
5. Sealed keypad shall include unit On/Off switch.

C. Programmable Setpoints (within Manufacturer limits): display language; leaving chilled liquid temperature: setpoint, control range; local or remote control; units of measure; compressor lead/lag; and maximum chilled water setpoint reset temperature range.

D. Display Data: Chiller liquid return and leaving temperatures, ambient, lead compressor identification, clock and schedule, (variable) out of range, remote input indication, chilled liquid reset setpoint, and history

Guide Specifications

data for last ten shutdown faults. Compressor suction, discharge, and oil pressures and temperatures, suction and discharge superheats, percent of full-load, operating hours, starts, and anti-recycle timer status. Status Messages for manual override, unit switch off, compressor run, run permissive, remote controlled shut down, no cooling load, daily/holiday shut down, anti-recycle timer.

- E. Predictive Control Points: Unit controls shall avoid safety shutdown when operating outside design conditions by optimizing the chiller controls and cooling load output to stay online and avoid safety limits being reached. The system shall monitor the following parameters and maintain the maximum cooling output possible without shutdown of the equipment: motor current, suction pressure and discharge pressure.
- F. System Safeties: Shall cause individual compressor systems to perform auto-reset shut down; manual reset required after the third trip in 90 minutes. Includes: high discharge pressure or temperature, low suction pressure, high / low motor current, high motor temperature, high pressure switch, high / low differential oil pressure, high oil temperature, low suction superheat, critical sensor malfunction, low or high current, phase loss/single phase power, overload of motor windings, and low voltage.
- G. Unit Safeties: Shall be automatic reset and cause compressors to shut down if: high or low ambient, low leaving chilled liquid temperature, under voltage, and flow switch operation. Contractor shall provide flow switch and wiring per chiller manufacturer requirements.
- H. Manufacturer shall provide any controls not listed above, necessary for automatic chiller operation. Mechanical Contractor shall provide field control wiring necessary to interface sensors to the chiller control system.

2.07 ACCESSORIES and OPTIONS

Some accessories and options supersede standard product features. Your Johnson Controls representative will be pleased to provide assistance.

A. Sound Reduction

1. Provide the following options as required to meet scheduled sound performance data at all load points.
 - a. Normal speed fans and unlined compressor enclosure. (**Factory Mounted**)

- b. Two-speed fans and acoustically lined enclosure. (**Factory Mounted**)
- c. Sound power octave band data, dB per AHRI standard 70 and IAW ISO3744 at 35°C ambient and 7°C leaving chilled water.

2. Provide optional control input to limit sound output of the chiller based on time of day. Shall be programmable at the chiller panel or controlled remotely via signal (4-20mA or 0-10 VDC) from BAS system. Chillers without this feature shall be provided with the necessary sound attenuation to meet the scheduled sound performance data at all load points.

B. Power Supply/Connections:

1. Circuit breaker is optional at point of incoming single point connection to provide disconnecting means AND be sized to provide the motor branch circuit protection, short circuit protection and ground fault protection for the motor branch-circuit conductors, the motor control apparatus and the motors. Circuit breaker shall be equipped with lockable operating handle that shall extend through power panel door so that power may be disconnected without opening any panel doors.

C. Condenser Coil Environmental Protection:

1. **PRE-COATED FIN CONDENSER COILS –**
The air-cooled condenser coils are constructed of epoxy-coated aluminum fins.
2. **COPPER FIN –** Provide condenser coils with copper fins in lieu of aluminum fins.
3. **POST-COATED EPOXY DIPPED CONDENSER COILS –** The unit is built with dipped-cured condenser coils.

D. Protective Chiller Panels (**Factory Mounted**):

1. Louvered Panels (condenser coils only): Painted steel to match unit panels, over external condenser coil faces.
2. Wire Panels (full unit): Heavy gauge, welded wire mesh, coated to resist corrosion, to protect condenser coils from incidental damage and restrict unauthorized access to internal components.
3. Louvered Panels (full unit): Painted steel to match unit panels, to protect condenser coils from incidental damage, visually screen internal components, and prevent unauthorized access to internal components.
4. Louvered/Wire Panels: Louvered steel panels on external condenser coil faces, painted to match

unit panels. Heavy gauge, welded wire-mesh, coated to resist corrosion, around base of machine to restrict unauthorized access.

E. Evaporator options:

1. Provide 1-1/2" (38mm) cooler insulation in lieu of standard 3/4" (19mm).
2. Provide Raised Face Flanges for cooler nozzles:
 - a. 150 psig (10.3 barg), welded flanges (field kit, matching pipe flange by contractor).
 - b. 150 psig (10.3 barg) companion flanges. (not available with 460V units)
 - c. 150 psig (10.3 barg), ANSI/AWWA C-606 couplings (field kit, matching pipe flange by contractor).

F. Flow Switch (**Field Mounted**): Vapor proof SPDT, NEMA 3R switch [___ 150 psig (10.3 barg) or ___ 300 psig (20.7 barg)], -20°F to 250°F (-28.9°C to 121.1°C).

G. Building Automation System Interface:

1. Chiller to accept 4 to 20mA or 0 to 10 VDC input to reset the leaving chilled liquid temperature. (**Factory Mounted**)

H. Multi-Unit Sequence Control (**Field Mounted**): Separate Sequencing control center provided to permit control of up to eight chillers in parallel based on mixed liquid temperature.

I. Vibration Isolation (**Field Mounted**):

1. Elastomeric Isolators.
2. 1 Inch Deflection Spring Isolators: Level adjustable, spring and cage type isolators for mounting under the unit base rails.

3. 2" Deflection Seismic Isolators: Level adjustable, restrained mounts in rugged welded steel housing with vertical and horizontal limit stops. Housings shall be designed to withstand a minimum 1.0g accelerated force in all directions to 2" (50.8 mm).

J. Service Shut-Off Valve: Provide suction service shut-off valve for each compressor. (**Factory Mounted**)

PART 3 — EXECUTION

3.01 INSTALLATION

- A. General: Rig and Install in full accordance with Manufacturer's requirements, Project drawings, and Contract documents.
- B. Location: Locate chiller as indicated on drawings, including cleaning and service maintenance clearance per Manufacturer instructions. Adjust and level chiller on support structure.
- C. Components: Installing Contractor shall provide and install all auxiliary devices and accessories for fully operational chiller.
- D. Electrical: Coordinate electrical requirements and connections for all power feeds with Electrical Contractor (Division 16).
- E. Controls: Coordinate all control requirements and connections with Controls Contractor.
- F. Finish: Installing Contractor shall paint damaged and abraded factory finish with touch-up paint matching factory finish.

Printed on recycled paper

Form 201.23-EG1 (1013) Supersedes: 201.23-EG1 (713)
© 2013 Johnson Controls, Inc. P.O. Box 423, Milwaukee, WI 53201 Printed in USA
www.johnsoncontrols.com

