

FEATURES

- Wide range of flow and pressure ratings
- Quick disassembly of core tube for easy maintenance of internal parts
- Standard disc seal made of FPM suitable for a wide range of operating temperatures and compatible with many fluids
- Standard manual operator allows an easy installation (Except 4 and 5 mm orifice sizes)
- AC/DC interchangeability of the solenoid without disassembly of the valve
- Compliance with UL and CSA standards (coil 4/5,5 W)
- Compact and low weight valve
- The solenoid valves satisfy all relevant EC directives

GENERAL

Differential pressure See «SPECIFICATIONS» [1 bar =100 kPa]
Maximum viscosity 40 cSt (mm²/s)
Response time 5 - 10 ms

fluids (*)	temperature range (TS)	seal materials (*)
air, inert gas, water, oil	- 10°C to + 100°C	FPM (fluoroelastomer)

MATERIALS IN CONTACT WITH FLUID

(*) Ensure that the compatibility of the fluids in contact with the materials is verified

	Brass body	Stainless steel body
Body	Brass	AISI 316
Core tube	Stainless steel	Stainless steel
Core and plugnut	Stainless steel	Stainless steel
Springs	Stainless steel	Stainless steel
Seat	Brass	Stainless steel
Seals	FPM	FPM
Disc	FPM	FPM
Shading coil	Copper	Copper

ELECTRICAL CHARACTERISTICS

Coil insulation class F
Connector Spade plug (cable Ø 6-7 mm or Ø 6-10 mm)
Connector specification DIN 43650, 11 mm, industry standard B (type 01) or ISO 4400 / EN 175301-803, form A (type 02)
Electrical safety IEC 335
Electrical enclosure protection Moulded IP65 (EN 60529)
Standard voltages DC (=) : 24V - 48V
 (Other voltages and 60 Hz on request) AC (~) : 24V - 48V - 115V - 230V / 50 Hz

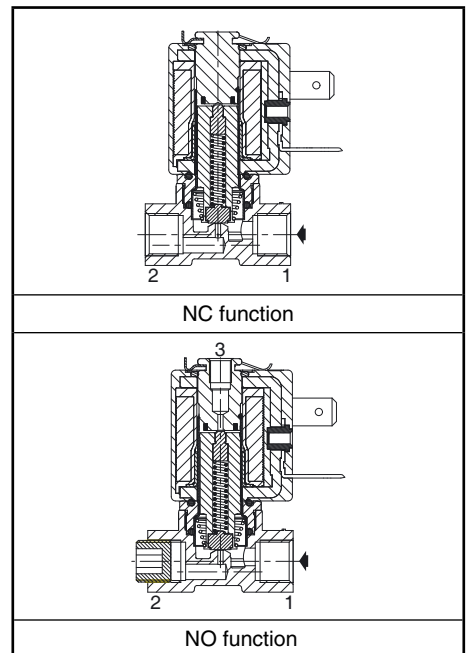
prefix option	power ratings				operator ambient temperature range (TS) (C°)	replacement coil		type ⁽¹⁾
	inrush ~ (VA)	holding ~ (VA)	hot/cold = (W)			~ 230 V/50 Hz	= 24 V DC	
			(W)	(W)				
SC	12	6	4	4,5 / 5,5	-10 to + 60	43005429	43005413	01
	10,4	6	3,5	5 / 7	-10 to + 60	43005539	43005533	02

⁽¹⁾ Refer to the dimensional drawings on the following page.

SPECIFICATIONS

pipe size	orifice size (mm)	flow coefficient Kv (m ³ /h) (l/min)		operating pressure differential (bar)						power coil (W)		catalogue number		options			
				min.	max. (PS)				brass			stainless steel	EPDM				
					air (*)	water (*)	oil (*)										
NC - Normally closed																	
1/8	1,2	0,05	0,8	0	28	20	28	20	28	20	4	5,5	SCG256A001VMS	SCG256A013VMS	E	-	-
	1,6	0,08	1,33	0	20	12	20	12	20	12	4	5,5	SCG256A002VMS	SCG256A014VMS	E	-	-
	2,0	0,11	1,83	0	15	6	15	6	15	6	4	5,5	SCG256A003VMS	SCG256A015VMS	E	-	-
	2,4	0,13	2,16	0	12	4	12	4	12	4	4	5,5	SCG256A004VMS	SCG256A016VMS	E	-	-
1/4	1,6	0,08	1,33	0	20	12	20	12	20	12	4	5,5	SCG256A402VMS	SCG256A414VMS	-	-	-
					20	15	20	15	20	15	3,5	7	SCG256A466VMS	SCG256A434VMS	-	-	-
	2,4	0,16	2,67	0	12	4	12	4	12	4	4	5,5	SCG256A404VMS	SCG256A416VMS	-	-	-
					15	8	15	8	15	8	3,5	7	SCG256A470VMS	SCG256A436VMS	-	-	-
	4	0,33	5,5	0	5	2	5	2	5	2	3,5	7	SCG256A471V	-	-	-	-
5	0,45	7,5	0	3	1	3	1	3	1	3,5	7	SCG256A472V	-	-	-	-	
NO - Normally open																	
1/8 ⁽²⁾	1,6	0,08	1,33	0	10	10	10	10	10	10	4	5,5	SCG256A006VMS	SCG256A018VMS	E	-	-

⁽²⁾ Pipe size port 3: M5 (Orifice size = 1,2 mm).



OPTIONS

- Valves can also be supplied with EPDM (ethylene-propylene) seals and discs. Use the appropriate optional suffix letter for identification (1/8 version only)
- Explosionproof enclosures for use in zones 1/21-2/22, categories 2-3 to ATEX Directive 94/9/EC (see "Explosionproof solenoids" section)
- Flying leads coil, use prefix L (e.g.: LG256A001VMS) (4 W/5,5 W coil only)
- Oxygen service with seals and disc in FPM, suffix NV, example: SCG256A001NVMS
- Solenoid valves integrated on manifold, orifice sizes 1,2 - 1,6 - 2 - 2,4 mm (See V297)
- French sanitary conformity approval ACS for potable water applications, suffix: FW (1/8 NC only)
- Without manual operator, on request
- Other pipe connections are available on request
- Plug with visual indication and peak voltage suppression or with cable length of 2 m (see Solenoids, Coils & Accessories section)

INSTALLATION

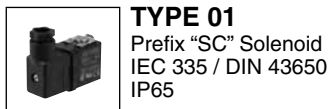
- The solenoid valves can be mounted in any position without affecting operation
- Solenoid valves have 2 mounting holes in body
- Pipe connection identifier is G = G (ISO 228/1)
- Installation/maintenance instructions are included with each valve

ORDERING EXAMPLES:

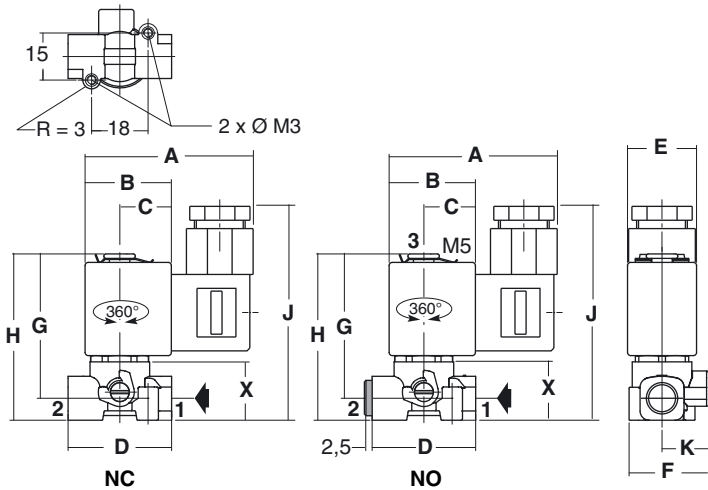
SC	G	256	A	001	VMS	230V / 50 Hz
SC	G	256	A	002	EMS	115V / 50 Hz
SC	G	256	A	014	NVMS	24V / DC
SC	G	256	A	001	FWMS	24V / DC
SC	G	256	A	471	V	230V / 50 Hz
SC	G	256	A	006	VMS	230V / 50 Hz

prefix — pipe thread — basic number — voltage — suffix

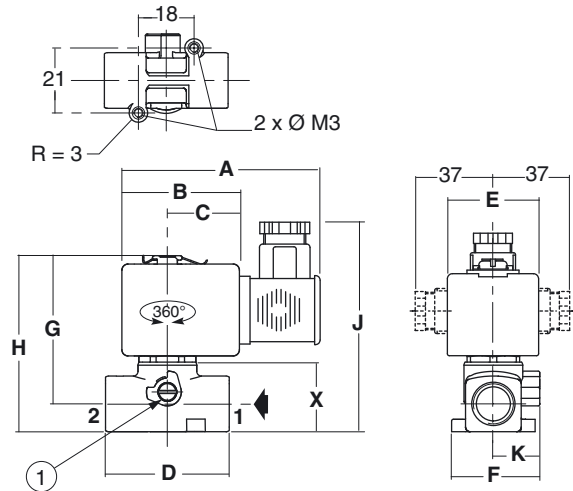
DIMENSIONS (mm), WEIGHT (kg)



NC (1/8): SCG256A001V/002V/003V/004V/013V/014V/015V/016V
NO (1/8): SCG256A006V/018V

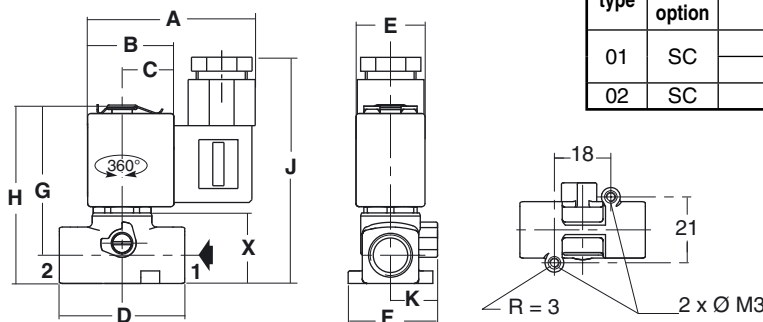


NC (1/4): SCG256A434VMS/436VMS/466VMS/470VMS/471V/472V



① Except catalogue numbers: SCG256A471V/472V

NC (1/4): SCG256A402VMS/404VMS/414VMS/416VMS



type	prefix option	pipe size	A	B	C	D	E	F	G	H	J	K	X
01	SC	1/8	57,5	27,5	16,5	33	22	25,5	46	53	69	15	18,6
		1/4	57,5	27,5	16,5	40	22	28,5	48	57	76	15	23,4
02	SC	1/4	73	38	23,3	40	29,7	28,5	48	57	78,5	15	23,4

type	prefix option	pipe size	weight ⁽²⁾	
			brass	stainless steel
01	SC	1/8	0,158	0,138
		1/4	0,180	0,177
02	SC	1/4	0,235	0,232

²⁾ Incl. coil(s) and connector(s).