

06 series
shown

Series:
OCB-34(P), OCBE-34(P),
OCBM-34(P), OCBE-44(P)

(Media purchased separately)

Certified to:
ANSI Z21.97/CSA 2.41
for outdoor decorative
gas appliances



⚠ WARNING: For Outdoor Use Only

ROUND OUTDOOR FIRE PIT COMPONENTS

⚠ WARNING: If the information in this manual is not followed exactly, a fire or explosion may result causing property damage, personal injury or loss of life.

- Do not store or use gasoline or other flammable vapors and liquids in the vicinity of this or any other appliance.
- A propane cylinder shall not be stored in the vicinity of this or any other appliance.

⚠ DANGER

If you smell gas:

1. Shut off gas to the appliance.
2. Extinguish any open flame.
3. If odor continues, keep away from the appliance and immediately call your gas supplier or fire department.

Installation and service must be performed by an NFI Certified or other qualified professional installer, service agency, or gas supplier.

INSTALLER & CONSUMER: These instructions MUST be retained with this appliance for future reference.

Important: Read these instructions carefully before starting installation of the unit.

⚠ WARNING

Improper installation, adjustment, alteration, service, or maintenance can cause property damage, personal injury, or loss of life. Read the installation, operating and maintenance instructions thoroughly before installing or servicing this equipment.

This appliance is designed as an **attended appliance**. Adults **must** be present when the unit is operating. **DO NOT** leave this unit burning when unattended. If this product is left burning unattended, it may cause damage or serious injury.

IMPORTANT

For safe operation and proper performance of this product and to comply with certification, listings, and building code acceptances, use **ONLY** Peterson AFD controls, parts, decorative media, and accessories that have been specifically listed or certified for use with this burner system. Use of other controls, parts, or accessories is prohibited and will void all warranties, certifications, listings, and building code approvals, and may cause property damage, personal injury, and loss of life.

CODE AND SUPPLY REQUIREMENTS:

The installation must conform with local codes and ordinances, or, in the absence of local codes, with the latest *National Fuel Gas Code, ANSI Z223.1*.

⚠ DANGER

CARBON MONOXIDE HAZARD



This appliance can produce carbon monoxide which has no odor.

Using it in an enclosed space can kill you.

Never use this appliance in an enclosed space such as a camper, tent, car, or home.

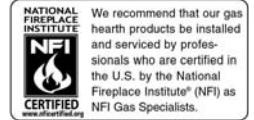


Série
06 montré

Series:
OCB-34(P), OCBE-34(P),
OCBM-34(P), OCBE-44(P)

(Médias achetés séparément)

Certifié à:
ANSI Z21.97/CSA 2.41
pour les appareils à gaz
décoratifs extérieurs



⚠ AVERTISSEMENT: Pour l'usage extérieur seulement

RONDS COMPOSANTS PIT DE FEU EN PLEIN AIR

⚠ AVERTISSEMENT: Si l'information en ce manuel n'est pas suivie exactement, un incendie ou une explosion peut résulter entraînant des dégâts matériels, le dommage corporel ou des pertes humaines.

- Ne pas entreposer ni utiliser d'essence ou d'autres vapeurs et liquides inflammables à proximité de cet appareil ou de tout autre.
- Une bouteille de propane ne doit pas être entreposée à proximité de cet appareil ou de tout autre appareil.

⚠ DANGER

Si vous sentez une odeur de gaz:

1. Coupez le gaz à l'appareil.
2. Éteindre toute flamme nue.
3. Si l'odeur persiste, éloignez-vous de l'appareil et appelez immédiatement votre fournisseur de gaz ou les pompiers.

L'installation et le service doivent être assurés par un NFI certifié ou toute autre installateur, agence de service, ou fournisseur professionnelle qualifiée de gaz.

⚠ DANGER

DANGER MONOXYDE DE CARBONE

Cet appareil peut produire du monoxyde de carbone n'a pas d'odeur qui.

Son utilisation dans un espace clos peut vous tuer.

Ne jamais utiliser cet appareil dans un espace clos comme une caravane, tente, véhicule ou maison.



d'INSTALLATEUR; CONSOMMATEUR: Ces instructions DOIVENT être maintenues avec cet appareil pour la future référence.

Important: Lisez ces instructions soigneusement avant de commencer l'installation de l'unité.

⚠ AVERTISSEMENT

L'installation, l'ajustement, le changement, le service, ou l'entretien inexact peuvent causer des dégâts matériels, le dommage corporel, ou des pertes humaines. Lisez l'installation, l'opération et les instructions d'entretien complètement avant d'installer ou entretenir cet équipement.

Cet appareil est conçu comme appareil occupé. Les adultes doivent être présent quand l'unité fonctionne. Ne laissez pas ce burning d'unité si sans surveillance. Si ce produit est laissé sans surveillance brûlant, il peut causer des dommages ou des dommages sérieux.

IMPORTANT

Pour un fonctionnement en toute sécurité et le bon fonctionnement de ce produit et pour se conformer aux certifications, listes et acceptations des codes du bâtiment, utilisez UNIQUEMENT les commandes, pièces, supports décoratifs et accessoires Peterson AFD spécialement répertoriés ou certifiés pour être utilisés avec ce système de brûleur. L'utilisation d'autres commandes, pièces, ou accessoires est interdite et videra toutes les garanties, certifications, listes, et approbations de codes du bâtiment, et peut causer des dégâts matériels, le dommage corporel, et des pertes humaines.

CONDITIONS DE CODE ET D'APPROVISIONNEMENT:

L'installation doit se conformer aux codes locaux et aux ordonnances, ou, en l'absence des codes locaux, au plus défunt code national de gaz de carburant, la norme ANSI Z223.1.

TABLE OF CONTENTS

GETTING STARTED

PRE-INSTALLATION AND PREPARATION SAFETY GUIDELINES	4
INSTALLATION SAFETY GUIDELINES	5
OPERATING THE UNIT SAFELY AND CORRECTLY	5
ELECTRICAL SAFETY INFORMATION (IF APPLICABLE).....	6
SPECIFICATIONS AND DIMENSIONS.....	6
ENCLOSURE REQUIREMENTS.....	10
<i>ENCLOSURE PARAMETERS</i>	10
<i>ENCLOSURE VENTILATION AND DRAINAGE</i>	12
<i>MINIMUM CLEARANCES</i>	13
TOOLS REQUIRED	13
GAS SAFETY INFORMATION	14
<i>WARNING</i>	14
<i>WHEN USING PROPANE GAS</i>	14
<i>WHEN USING NATURAL GAS</i>	14
<i>INSTALLATION SAFETY GUIDELINES</i>	14
<i>OPERATION SAFETY GUIDELINES</i>	14
PARTS LIST.....	15

INSTALLATION

IMPORTANT SAFETY INFORMATION	20
FIRE PIT COMPONENTS INSTALLATION.....	20
<i>BEFORE YOU BEGIN</i>	20
<i>LOCATION</i>	20
<i>GAS SUPPLY SETUP</i>	21
<i>ELECTRICAL SETUP (if applicable)</i>	21
<i>CONSTRUCT ENCLOSURE</i>	22
<i>INSTALL BURNER SYSTEM</i>	22
DECORATIVE MEDIA PLACEMENT.....	26
<i>REQUIRED BASE MEDIA (SUPPLIED)</i>	26
<i>PRIMARY AND SECONDARY MEDIA OPTIONS</i>	27

USE, CARE, & SERVICE

LIGHTING INSTRUCTIONS - MATCH LIT VALVE MODELS	29
<i>FOR YOUR SAFETY, READ BEFORE LIGHTING</i>	29
<i>TO SHUT OFF GAS TO THE APPLIANCE</i>	29
LIGHTING INSTRUCTIONS - MATCH LIT KEY MODELS	31
<i>FOR YOUR SAFETY, READ BEFORE LIGHTING</i>	31
<i>TO SHUT OFF GAS TO THE APPLIANCE</i>	31
LIGHTING INSTRUCTIONS - PIEZO MODELS	33
<i>FOR YOUR SAFETY, READ BEFORE LIGHTING</i>	33
<i>TO SHUT OFF GAS TO THE APPLIANCE</i>	33
LIGHTING INSTRUCTIONS - 02 / 06 REMOTE MODELS	35
<i>FOR YOUR SAFETY, READ BEFORE LIGHTING</i>	35
<i>REMOTE LIGHTING</i>	35
<i>MANUAL LIGHTING</i>	37
<i>SHUTTING DOWN</i>	37
<i>MANUAL ON/OFF SWITCH</i>	37
<i>PILOT APPEARANCE</i>	37
<i>REMOTE STORAGE AND CARE</i>	37
SERVICING AND CLEANING.....	39
<i>ANNUAL CLEAN / INSPECTION GUIDELINES</i>	39
<i>PROTECTIVE COVER</i>	40
<i>SYNCING THE REMOTE SYSTEM (if applicable)</i>	40
<i>FUSE REPLACEMENT (if applicable)</i>	40
<i>CONTROL BOX INTERIOR ACCESS (if applicable)</i>	40
<i>BATTERY INSTALLATION/REPLACEMENT (if applicable)</i>	41
<i>GAS TYPE CONVERSION (select models only)</i>	42
TROUBLESHOOTING.....	46
WARRANTY	48

IMPORTANT SAFETY INFORMATION

Congratulations on your purchase of an American Fyre Designs outdoor gas fire pit component system. Made with pride in America, your new fire pit component system complies with national safety standards and when installed per these instructions and used as intended it will provide warmth and comfort to your outdoor area for many years.

Prior to installation and operation ensure that all specifications, dimensions, enclosure requirements, and minimum clearances stated in this manual are observed. You must read all warnings and safety information, and understand all of the information in this manual. All installation requirements must be observed and met.

PRE-INSTALLATION AND PREPARATION SAFETY GUIDELINES

- A. A shut-off valve (not included) in the gas line is required.** It provides for safety when the unit is not in use and for convenient maintenance and repair. It must be installed within 6 feet of unit. Use a pipe joint compound resistant to all gasses on all male fittings except flare fittings.
- B.** Before installing this unit, check the MINIMUM CLEARANCES section to ensure that the surrounding area is properly sized for the installation.
- C.** The unit is for outdoor use only. **DO NOT** install or use this appliance inside a building, garage, or any other enclosed area, including recreational vehicles and/or boats. **THIS UNIT MUST BE INSTALLED SO THAT THE REQUIRED VENT OPENINGS AND SURROUNDING AREA OF THE ENCLOSURE REMAIN CLEAR AND FREE AT ALL TIMES. SEE THE ENCLOSURE REQUIREMENTS SECTION FOR DETAILS.**
- D. SOLID FUEL MUST NOT BE BURNED in the unit.**
- E. CHECK GAS TYPE** (natural gas or propane): The gas supply you intend to use may not be the same as that stated on the unit rating plate as purchased. If the gas supply is different, **convert the unit to the gas type you intend to use (IF PERMITTED)**. See the SERVICING AND CLEANING - GAS TYPE CONVERSION section. If you are unsure, contact the dealer for assistance. **ONLY SELECT UNITS ARE CONVERTIBLE.**
- F. FOR NATURAL GAS:** The minimum inlet gas-supply pressure for purposes of input adjustment is **5"** water column (w.c.), and the maximum inlet gas-supply pressure is **10.5"** w.c.
FOR PROPANE GAS: The minimum inlet gas-supply pressure for purposes of input adjustment is **11"** w.c., and the maximum inlet gas-supply pressure is **13"** w.c. **DO NOT INSTALL THIS UNIT IF MINIMUM PRESSURE IS NOT AVAILABLE OR IF MAXIMUM PRESSURE IS EXCEEDED.**
- G. The gas piping system must be sized to provide minimum inlet pressure at the maximum flow rate (BTU/hr).** Undue pressure loss will occur if the pipe is too small, or the run is too long. Gas supply pipe must be 1/2" minimum interior diameter. If the gas line is longer than 20', a larger diameter line may be necessary. Refer to the NFPA 54 guidelines for further details.
- H.** For installations at elevations above 2,000 ft., contact your local dealer or gas supplier before installing. Input ratings should be reduced approximately 4% per 1,000 ft. above sea level. Refer to National Fuel Gas Code.
- I.** The unit and its individual shut-off valve must be disconnected from the gas-supply piping system during any pressure testing of that system at test pressures in excess of 1/2 psi (3.5 kPa). This is accomplished by closing the gas-supply line valve. The unit must be isolated from the gas-supply piping system by closing its individual manual shut-off valve during any pressure testing of the gas-supply piping system at test pressures equal to or less than 1/2 psi (3.5 kPa).
- J. DO NOT CONNECT THIS UNIT TO A PORTABLE L.P. CYLINDER. IT MUST BE CONNECTED TO A FIXED PIPING SYSTEM.** The installation must conform with local codes, or in the absence of local codes with the National Fuel Gas Code, ANSI Z223.1/NFPA 54; International Fuel Gas Code, Natural Gas and Propane Installation Code, CSA B149.1; or Propane Storage and Handling Code, B149.2, as applicable. The appliance, when installed, must be electrically grounded in accordance with local codes, or in the absence of local codes with the National Electrical Code, ANSI/NFPA 70; or the Canadian Electrical Code, CSA C22.1, if applicable.

Electrical Grounding Instructions (if applicable) - This appliance is equipped with a three-prong (grounding) plug for your protection against shock hazard and should be plugged directly into a properly grounded three-prong receptacle. Do not cut or remove the grounding prong from this plug.

- K. INSTALLER NOTE:** This unit should be installed so that it can be removed if service is required.

L. GAS-SUPPLY PLUMBING REQUIREMENTS

Apply only joint compounds that are resistant to all gasses on all male pipe fittings. Make sure to tighten every joint securely. Do not use pipe joint compound to connect flare fittings. Bring the gas-supply pipe up from beneath the enclosure near its center.

CAUTION: Installation and maintenance must be done by an NFI Certified or other qualified professional service technician. Installer, read these instructions before installing this product. Be sure you understand all safety precautions and warnings contained in this manual.

INSTALLATION SAFETY GUIDELINES

- A. Carefully inspect for shipping damage. If any parts are damaged, call the dealer.
- B. Installation and repair should be done by a qualified professional service technician. The appliance should be inspected before use and at least annually by a qualified service person. More frequent cleaning may be required as necessary. It is imperative that control compartment, burners and circulating air passageways of the appliance are kept clean.
- C. **WEAR GLOVES AND USE EXTREME CAUTION WHENEVER INSTALLING AND HANDLING THIS PRODUCT AND ITS ACCESSORIES AS CERTAIN COMPONENTS HAVE SHARP EDGES THAT CAN CAUSE PERSONAL INJURY.**
- D. Correct installation and proper placement of the unit and decorative media **is crucial** to the safe performance of the unit. See DECORATIVE MEDIA PLACEMENT section for details.
- E. **DO NOT** install the unit under any overhead construction that is less than 6 feet above the top of the unit.
- F. Ensure that the unit enclosure is installed on a hard, level, non-combustible surface.
- G. **This unit must be installed so that the required vent openings and surrounding area of the enclosure remain clear and free at all times. See the ENCLOSURE REQUIREMENTS section for details.**
- H. Due to high temperatures, the unit enclosure must be located out of traffic areas and away from combustibles.
- I. Ensure all enclosure construction, ventilation, and water drainage requirements are met. See ENCLOSURE REQUIREMENTS section for details.
- J. **IF APPLICABLE, KEEP THE PILOT/IGNITER SCREEN CLEAR OF DECORATIVE MEDIA AND ANY OTHER ITEMS / DEBRIS AT ALL TIMES. THIS WILL ALLOW FOR PROPER IGNITION AND OPERATION. DO NOT COVER.**

OPERATING THE UNIT SAFELY AND CORRECTLY

- A. **This product is a decorative gas appliance. It is not a cooking appliance.**
- B. **SOLID FUEL MUST NOT BE BURNED** in the unit.
- C. When shutting the unit down—be sure to TURN THE CONTROL VALVE FULLY OFF.
- D. Children MUST be supervised when they are in the area of this appliance.
- E. **DO NOT** sit or place any part of the body, clothing, or other flammable materials on or near the unit surround. Children and adults should be alerted to the hazard of high surface temperatures and should stay away to avoid burns or clothing ignition. DO NOT lean over the unit when lighting or when in use.
- F. Every time you use the unit, **make sure that:**
 - 1. The area around the unit enclosure is clear and free from combustible materials, gasoline and other flammable vapors and liquids.
 - 2. The required vent openings and surrounding area of the enclosure are clear and free at all times.
 - 3. **THE PILOT/IGNITER SCREEN IS CLEAR OF DECORATIVE MEDIA AND ANY OTHER ITEMS / DEBRIS (IF APPLICABLE). DO NOT COVER.**
- G. **WARNING: HOT WHILE IN OPERATION AND FOLLOWING OPERATION. Serious injury can occur! DO NOT** throw trash, paper, or other flammable materials onto the unit. **DO NOT** leave in operation when unattended.
WARNING: DO NOT operate this unit in the rain.
WARNING: DO NOT operate this unit in high-wind conditions. Operating in high-wind conditions may expose your unit to direct flame, which will result in damage to the finish.
- H. **DO NOT** continue using if you smell unusual odors, or have headaches, nausea, or dizziness.
- I. **DO NOT** store any combustible materials, gasoline, and any other flammable vapors/liquids in the vicinity of the unit. Provide adequate clearance for servicing and operation.
- J. Matches, paper, garbage, or any other material must not be thrown onto the unit or into the flame.
- K. **DO NOT** use the unit if any part of it has been underwater. Immediately call a qualified professional service technician to inspect the unit and to replace any part of the control system and any gas control that has been underwater.
- L. **WARNING:** Food cannot be consumed after coming in direct contact with the surface of the unit and its enclosure due to possible contamination.

ELECTRICAL SAFETY INFORMATION (IF APPLICABLE)

- To protect against electric shock, do not immerse cord or plugs in water or other liquid.
- Unplug from the outlet when not in use and before cleaning. Allow to cool before putting on or taking off parts.
- Do not operate any outdoor gas appliance with a damaged cord, plug, or after the appliance malfunctions or has been damaged in any manner. Contact the manufacturer for repair.
- Do not let the cord touch hot surfaces.
- Do not use an outdoor gas appliance for purposes other than intended.
- **Use only a properly wired and inspected 120VAC (15 AMP minimum) Ground Fault Circuit Interrupter (GFCI) GROUNDED 3-wire receptacle with this outdoor gas appliance.**
- The GFCI receptacle must be a WEATHER-PROOF IN-USE COVERED RECEPTACLE.
- Never remove the grounding plug or use with an adapter of 2 prongs.
- Use only extension cords with a 3 prong grounding plug, rated for the power of the equipment, and approved for outdoor use with a W-A marking.
- **The provisions of the National Electric Code as well as any local codes must be observed when installing the product.**

SPECIFICATIONS AND DIMENSIONS

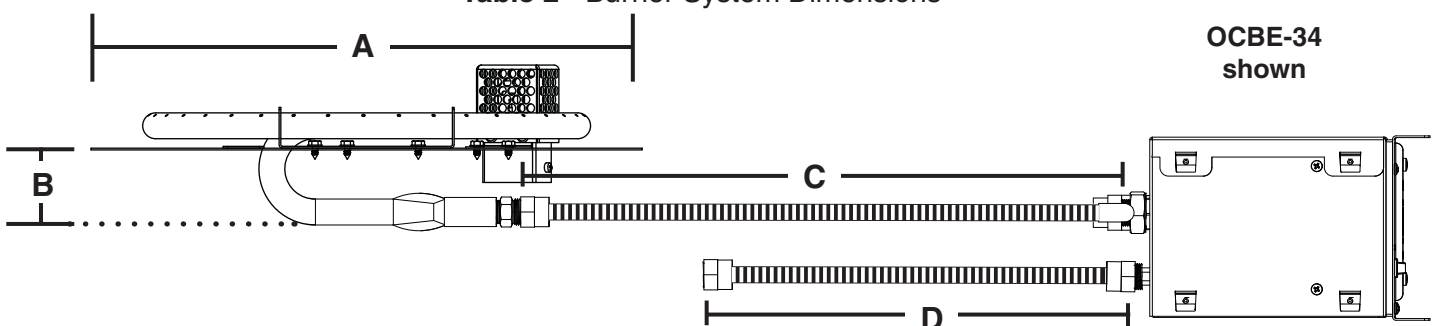
BTUs		
Style	Nat.	L.P.
OCB-34	60,000	50,000
OCBM-34	62,000	48,000
OCBE-34(-02,-06)	70,000	70,000
OCBE-44	110,000	110,000
OCBE-44-02	100,000	100,000
OCBE-44-06	120,000	110,000

Table 1 - Product BTUs

Burner System Dimensions		
Item	OCB(E,M)-34	OCBE-44
A.	16"	28"
B.	2 1/2"	4"
C.	36"	36"
D.	24"	24"

Note: The max distance between control box and burner pan will vary depending on installation. See ENCLOSURE PARAMETERS section for details.

Table 2 - Burner System Dimensions

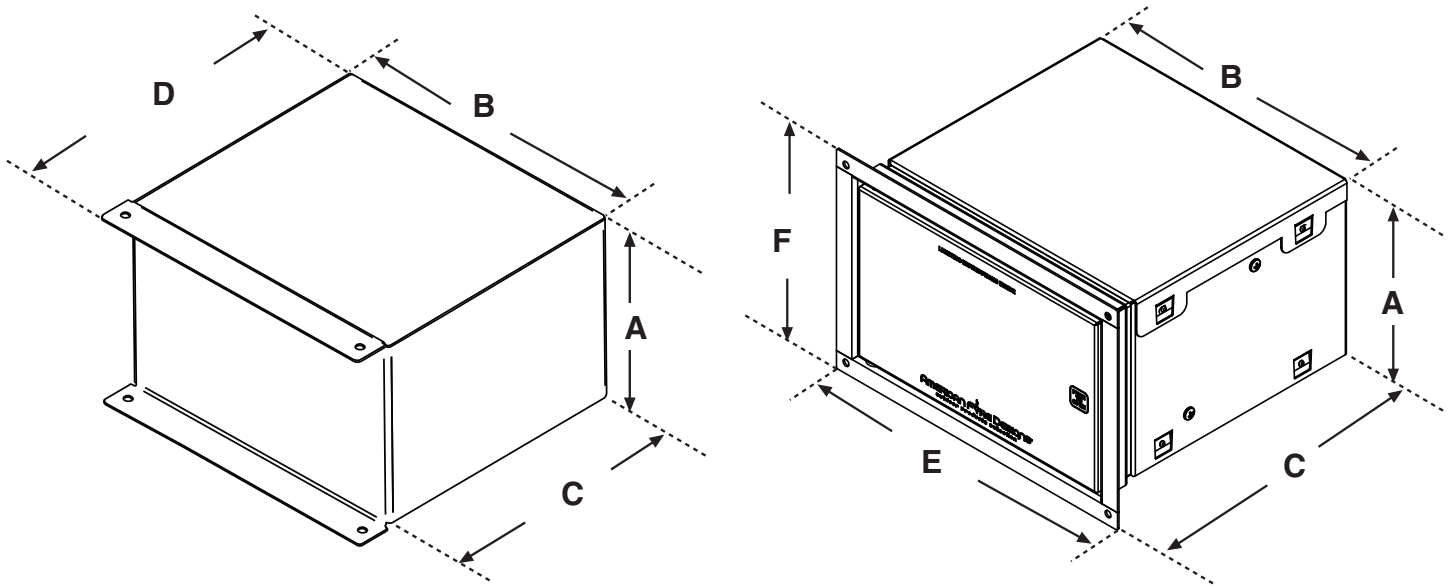


SPECIFICATIONS AND DIMENSIONS (cont.)

Control Box Dimensions			
Item	OCBE-(34,44)	OCBE-(34,44)-02	OCBE-(34,44)-06
A.	5 3/8"	5 3/8"	5 3/8"
B.	8 1/2"	8 1/2"	8 1/2"
C.	8 5/8"	8 1/2"	5 7/8"
D.	9 3/4"	N/A	7"
E.	N/A	9 5/8"	N/A
F.	N/A	6 1/2"	N/A

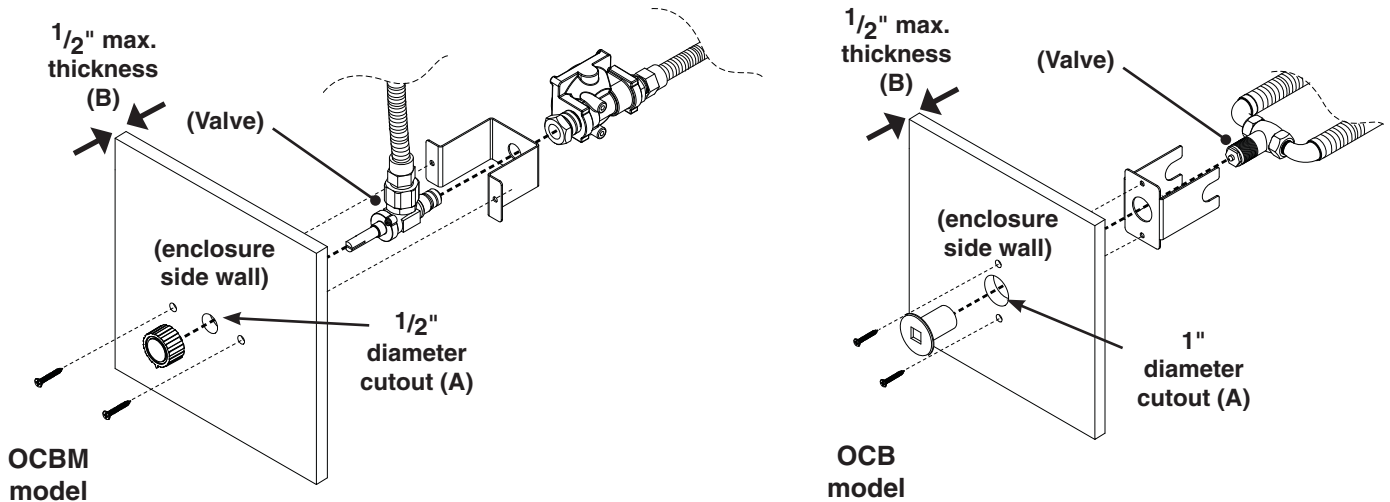
NOTE: A-D: Cutout Dimensions / E-F: Actual Dimensions

Table 3 - Control Box Dimensions (if applicable)



OCB(M) Cutout Dimensions		
Item	OCBM	OCB
A.	1/2" diameter (in side wall for valve stem to protrude)	1" diameter (in side wall for key cap to protrude)
B.	1/2" maximum thickness of side wall	1/2" maximum thickness of side wall

Table 4 - OCB(M) Cutout Dimensions (if applicable)



SPECIFICATIONS AND DIMENSIONS (cont.)

Only the American Fyre Designs decorative media options listed below are approved for use with this product. Follow the guidelines to determine the recommended amount of decorative media needed to fill your custom fire pit enclosure. All decorative media options are purchased separately; contact your local American Fyre Designs dealer when ordering.

REQUIRED BASE MEDIA

Lava granules and coals (included with burner) **MUST** first be placed to cover the burner.

Glass Setups Only: Only use the supplied lava granules. **DO NOT** use the supplied lava coals with glass media. See *DECORATIVE MEDIA PLACEMENT* section for details.

PRIMARY MEDIA OPTIONS (optional)

Additional decorative media such as lava / glass / gems (purchased separately) may be placed around the burner if desired. Determine the correct media and amount needed (via online calculator or manual formula).

(cont.)^{aay}
A calculator is available online to determine the correct media amount needed. Visit americanfyredesigns.com/recommended-media or simply scan the QR code on the right.



Alternatively use the chart and steps (1-4) below.

Note: The height of media above the burner should be between 1" - 2" (depending on media type). The website calculation (or formula below) falls within this range.

DO NOT exceed a height of 2" above the burner when placing primary media.

Determine the volume of area to be filled, and divide according to media coverage amount.

Media Coverage Amounts	
Lava Granules / Coals	Glass / Gems
40 cubic inches per lb	16 cubic inches per lb

Table 5 - Media Coverage Amounts

1. Determine the square area of the fire pit.
2. Multiply amount by 2 (for 2" cubic height).
3. Divide according to media being used:
 - Lava Granules / Coals: 40
 - Glass / gems: 16
4. This is the number of pounds needed.

Example using glass media in square fire pit:

Volume Formula: $w \times d \times h$

Width: 24" Depth: 24" Height: 2"

1. $24 \times 24 = 576 \text{ sq. in.}$

2. $576 \times 2 = 1152 \text{ cu. in.}$

3. $1152 / 16 \text{ (per chart above)} = 72 \text{ lbs}$

SECONDARY MEDIA OPTIONS (optional)

Secondary options such as logs / volcanic stones / river stones / creekstones / geo shapes / glass nuggets / wood chunks (purchased separately) may also be placed on top of the lava or glass media.

Note: When using volcanic stone, use VS-25 (25 lbs).

Example using lava media in round fire pit:

Volume Formula: $\pi r^2 h$

Radius: 12" (diameter: 24") Height: 2"

1. $\pi 12^2 = 452 \text{ sq. in. (rounded)}$

2. $452 \times 2 = 904 \text{ cu. in.}$

3. $904 / 40 \text{ (per chart above)} = 23 \text{ lbs (rounded)}$

SPECIFICATIONS AND DIMENSIONS (cont.)

Specification	Value	Qty.
06 models: Input electrical requirements	120VAC / 15 AMP minimum / 60 Hz / GFCI outlet	N/A
02 models: Burner system battery type	D battery	2
Piezo models: Igniter battery type	AA battery	1
Remote transmitter battery type	12V battery	1
Remote receiver battery type	AA battery	4

Table 6 - Technical Data (if applicable)

02 MODEL WIRING DIAGRAM

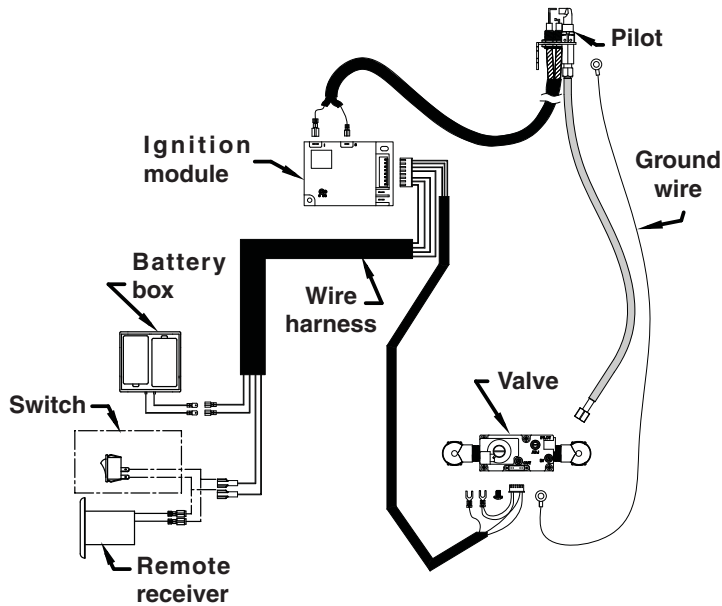


Fig. 9-1

06 MODEL WIRING DIAGRAM

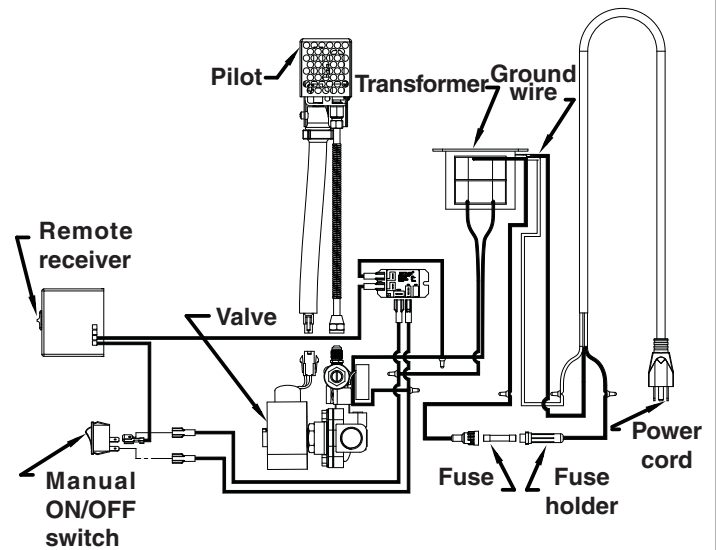


Fig. 9-2

ENCLOSURE REQUIREMENTS

To ensure proper operation and safety the unit enclosure **MUST** comply with the following:

- Proper construction and cutout openings - see SPECIFICATIONS AND DIMENSIONS and ENCLOSURE PARAMETERS sections.
- Proper ventilation and drainage - see ENCLOSURE VENTILATION AND DRAINAGE section.
- Proper clearances from combustibles - see MINIMUM CLEARANCES section.

You **MUST** read and follow these sections for complete enclosure requirement details.

ENCLOSURE PARAMETERS

The enclosure can be constructed according to your individual preference, while following all guidelines found in this manual.

The enclosure **MUST** (see Fig. 10-1 and Fig. 10-2):

- be installed on a hard, level, non-combustible surface
- be constructed of non-combustible materials
- be properly vented, and provide for water drainage (see ENCLOSURE VENTILATION AND DRAINAGE section)
- have a sub-plate that is solid and non-combustible
- have a minimum pit opening of Y" (Fig. 10-1,2 & Table 7)
- provide a minimum of 3" (vertical clearance) from the top of the control box to the burner pan
- set back the edge of the burner pan no more than Z" from the outer wall (see Table 7 & 10-2)
- meet all other requirements found in Fig. 10-1 and Fig. 10-2 below
- **FOR 06 MODELS:** the control box assembly must be within reach of a properly wired and inspected **120VAC (15 AMP minimum) Ground Fault Circuit Interrupter (GFCI) GROUNDED 3-wire receptacle** (for the power supply).

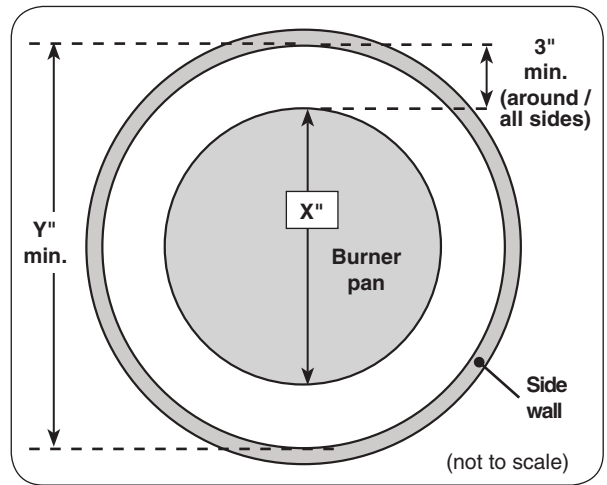


Fig. 10-1 Enclosure min. pit opening (top view)

Item	OCB(E,M)-34	OCBE-44
X.	16"	28"
Y.	22"	34"
Z.	26"	14"

Table 7 Variable dimensions

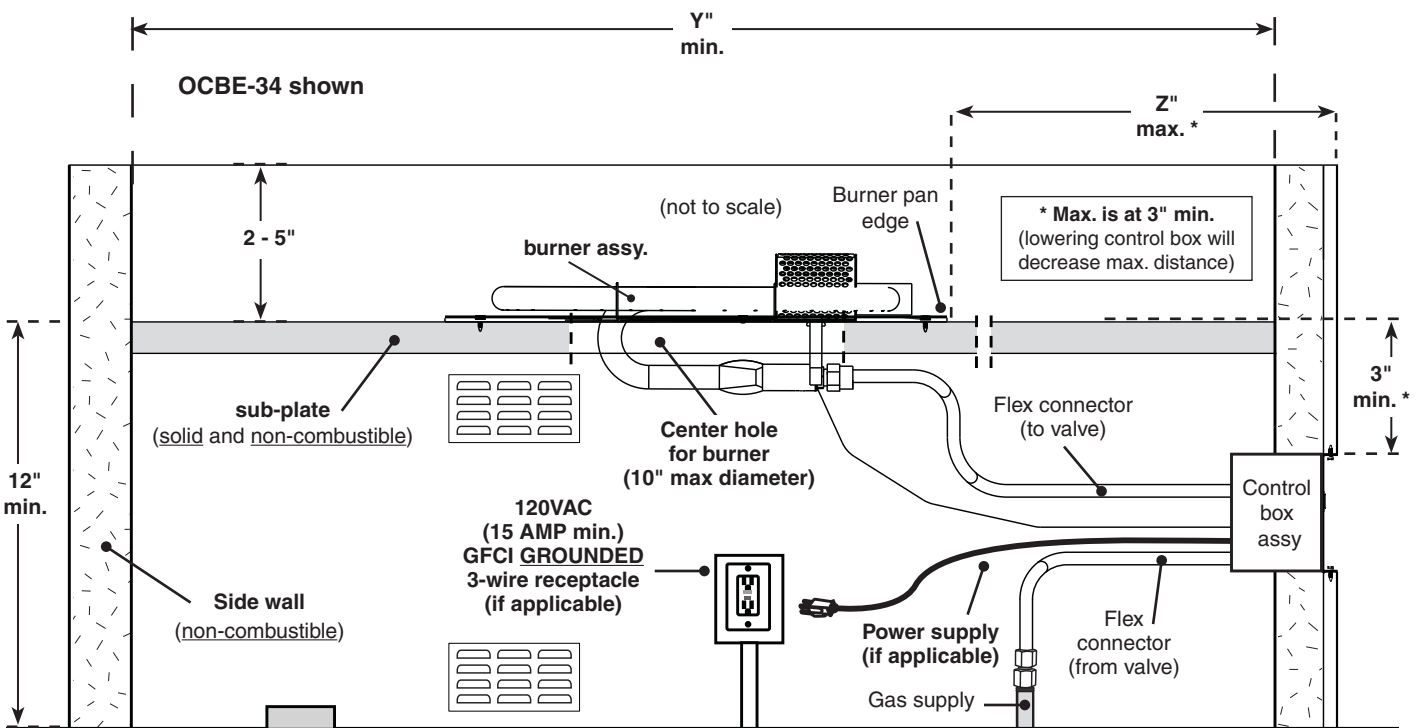


Fig. 10-2 Enclosure specifications (side view)

ENCLOSURE REQUIREMENTS (cont.)

ENCLOSURE PARAMETERS (cont.)

- The control box / valve and bracket assembly is to be installed in the enclosure side wall using the 2 or 4 mounting holes found on the box / bracket assembly (see Fig. 11-1).
- The burner pan is to be installed onto the non-combustible sub-plate using the 4 mounting holes found on the pan (see Fig. 11-1).

Note: The maximum distance from the edge of the burner pan to the outer side wall and control box / valve is **Z"** (when the box/valve is located 3" below the burner pan). See Fig. 11-1 and Table 8, and refer back to the figure on the previous page.

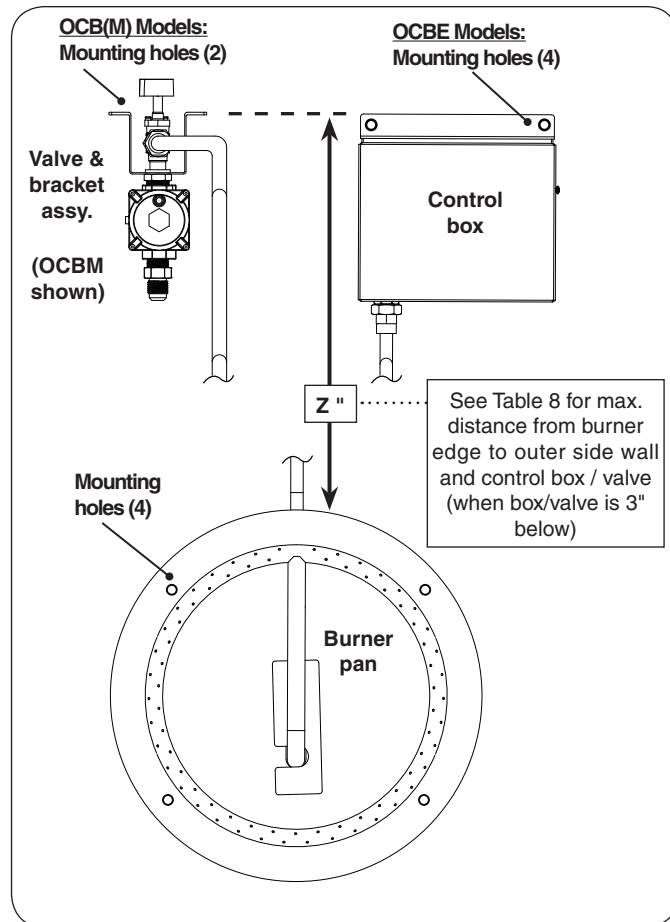


Fig. 11-1 Mounting detail (top view)

Item	OCB(E,M)-34	OCBE-44
Z.	26"	14"

Table 8 Variable dimensions

ENCLOSURE REQUIREMENTS (cont.)

ENCLOSURE VENTILATION AND DRAINAGE

FOR YOUR SAFETY, you must provide the openings listed below for replacement air and ventilation of the enclosure (in case of possible leakage from gas connections). Failure to do so may result in a fire or explosion causing property damage, bodily injury, or death. The openings also allow for water drainage.

Ventilation

Four (minimum) ventilation openings **MUST** be created (reference Fig. 12-2):

Each opening must have a minimum of **10 sq. in.** of free area. The openings must be equally sized.

Two openings must be in the side walls of the enclosure, at the sub-plate level, and spaced at a minimum of 90 degrees. The openings must begin 1" or less below the sub-plate and end no more than 5" below the sub-plate.

Two openings must be in the side walls of the enclosure, at the floor level, and spaced at a minimum of 90 degrees. The openings must begin 1" or less above the floor level and end no more than 5" above the floor level.

The openings must remain unobstructed:

The clearance between the openings and any items outside of the enclosure is a minimum of 6". The clearance between the openings and any items within the enclosure is a minimum of 2".

It is acceptable to use RHP venting panels (PN 5510-01). Contact your dealer.

Water Drainage

Two additional openings (1" x 4") must be created at the floor level (and spaced at 180 degrees) to allow for water drainage. The openings must be equally sized and unobstructed. See Fig. 12-2.

Also allow for burner area drainage by drilling a minimum of four holes in the (solid and non-combustible) sub-plate:

- 4 holes, 90° around burner pan, a minimum of 1" from edge of pan (see Fig. 12-1 and Fig. 12-2)
- 1/4" in diameter
- Add additional holes as needed for larger enclosures

KEEP THE REQUIRED VENT OPENINGS, DRAIN OPENINGS, AND SURROUNDING AREA OF THE ENCLOSURE CLEAR AND FREE AT ALL TIMES.

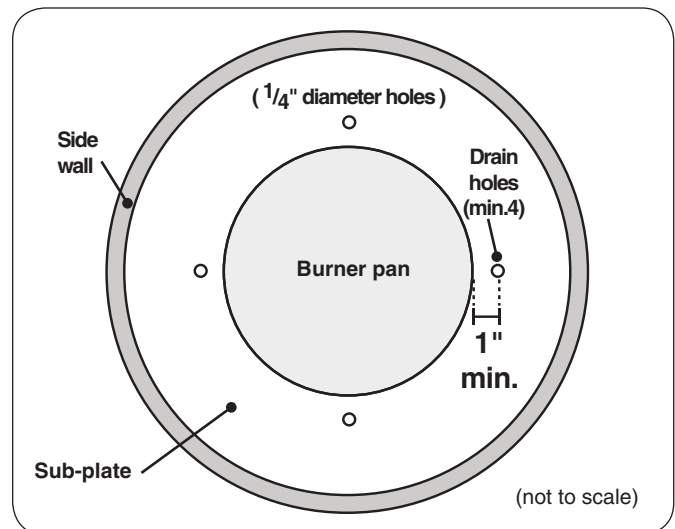


Fig. 12-1 Sub-plate drainage specifications (top view)

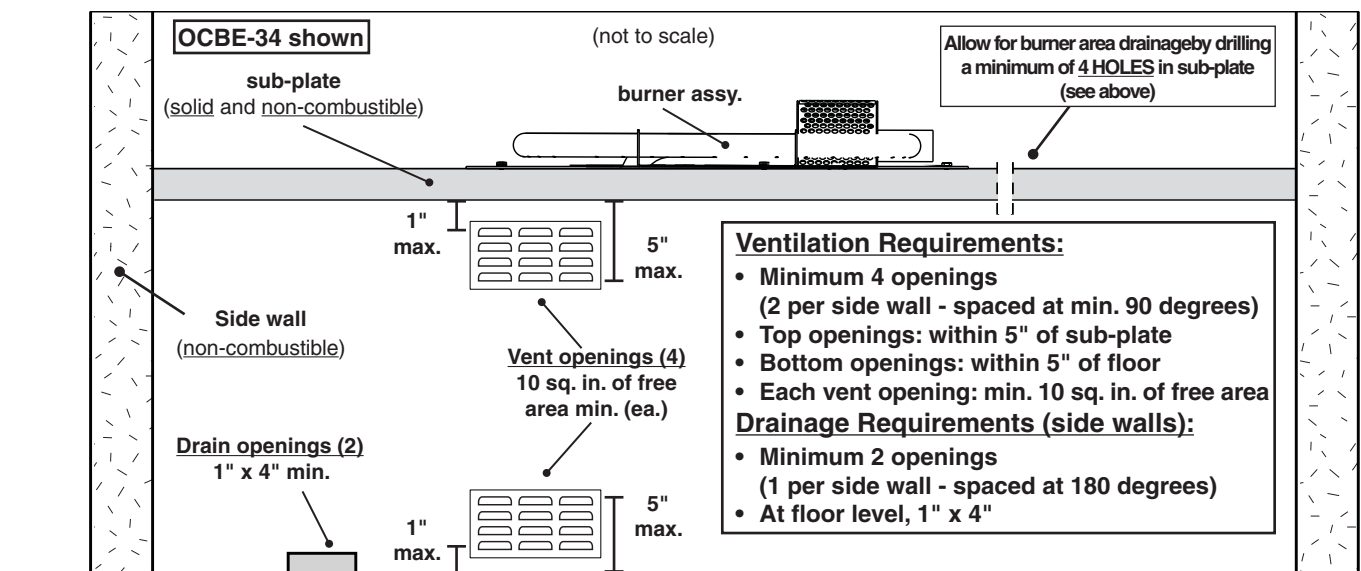


Fig. 12-2 Ventilation and drainage specifications (enclosure side view)

ENCLOSURE REQUIREMENTS (cont.)

MINIMUM CLEARANCES

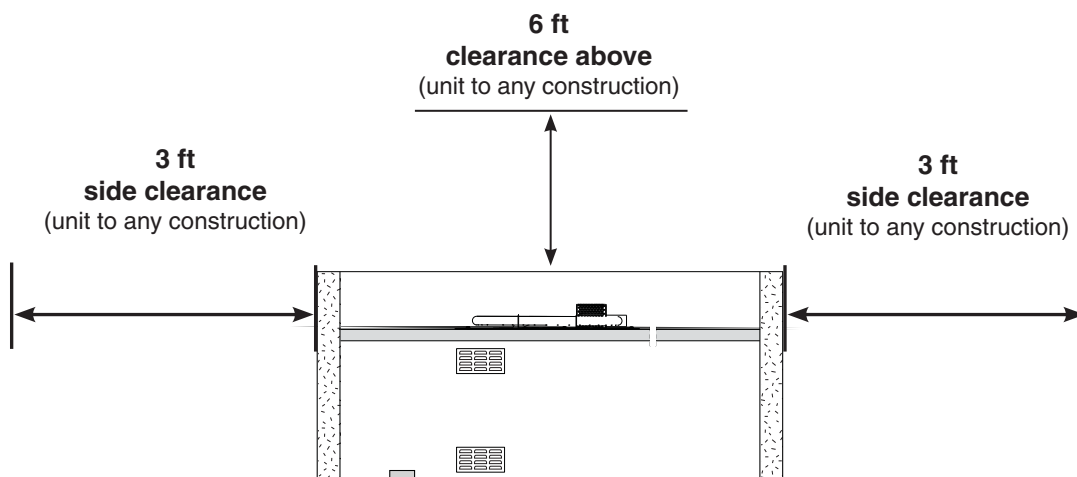
The dimensions shown below are **MINIMUM CLEARANCES** to maintain when you install the unit.

ALL CLEARANCES AND INFORMATION STATED HERE MUST BE MAINTAINED AND FOLLOWED.

Note: Over time sooting may occur on the ceiling above the unit (if applicable).

Description	Dimension
Side clearance (from unit edge to any construction)	3 ft
Clearance above unit (from unit top to any construction)	6 ft
Clearance below unit (to combustible construction)	Not permitted

Table 9 - Minimum Clearances



Floor must be a hard, level, non-combustible surface.

TOOLS REQUIRED

The following are the minimum tools required for the installation of your unit. Additional tools may be required for your individual installation.

- appropriate tools for enclosure construction
- appropriate tools for gas supply and electrical install (as applicable)
- cordless drill
- drill bits and drivers
- Phillips screwdriver

GAS SAFETY INFORMATION

WHEN OPERATING THIS GAS APPLIANCE, ALL INSTRUCTIONS AND WARNINGS MUST BE OBSERVED. FAILURE TO DO SO MAY RESULT IN A FIRE OR EXPLOSION CAUSING PROPERTY DAMAGE, BODILY INJURY, OR DEATH.

WARNING

This gas appliance and its enclosure **MUST** be plumbed and vented in accordance with local building and safety codes and should be approved by local code enforcement officials. This appliance **MUST** be installed and operated according to the information below.

CAUTION: **DO NOT** connect this unit to a portable L.P. Cylinder. It **MUST** be connected to a fixed piping system.

FAILURE TO PROPERLY VENT THE ENCLOSURE MAY RESULT IN A FIRE OR EXPLOSION CAUSING PROPERTY DAMAGE, BODILY INJURY, OR DEATH.

A leaking gas connection or valve unintentionally left open will create a hazard.

WHEN USING PROPANE GAS

- **Propane gas** (also known as **L.P. gas**) is heavier than air and will accumulate or pool in an inadequately vented enclosure or recessed area.
- If a pool of **propane gas** is ignited, an explosion will occur. Adequate venting at the floor level, or the lowest point where gas could accumulate, will eliminate this danger.
Refer to the **ENCLOSURE REQUIREMENTS** section.
Observe all local codes.

WHEN USING NATURAL GAS

- **Natural gas** is lighter than air and will accumulate at the top of an inadequately vented enclosure.
- If an accumulation of **natural gas** is ignited, an explosion will occur. Adequate venting at the top of the enclosure, or the highest point where gas could accumulate, will eliminate this danger.
Refer to the **ENCLOSURE REQUIREMENTS** section.
Observe all local codes.

INSTALLATION SAFETY GUIDELINES

THIS UNIT MUST BE INSTALLED SO THAT THE REQUIRED VENT OPENINGS AND SURROUNDING AREA OF THE ENCLOSURE REMAIN CLEAR AND FREE AT ALL TIMES. See the ENCLOSURE REQUIREMENTS section for details.

CAUTION: **FOR YOUR SAFETY, you must provide openings in the enclosure for replacement air and ventilation (in case of possible leakage from gas connections). Failure to do so may result in a fire or explosion causing property damage, bodily injury, or death. See the ENCLOSURE REQUIREMENTS section for details.**

OPERATION SAFETY GUIDELINES

Every time you use the unit, **make sure that:**

1. The area around the enclosure is clear and free from combustible materials, gasoline and flammable vapors/liquids.
2. The required vent openings and surrounding area of the enclosure are clear and free at all times.

DO NOT store any combustible materials, gasoline, and any other flammable vapors/liquids in the vicinity of the unit. Provide adequate clearance for servicing and operation.

PARTS LIST

- AFD decorative media is purchased and packaged separately. Various styles are available.
- Decorative media and replacement parts can be ordered from your local American Fyre Designs dealer.
- Select models are illustrated (your model may vary)

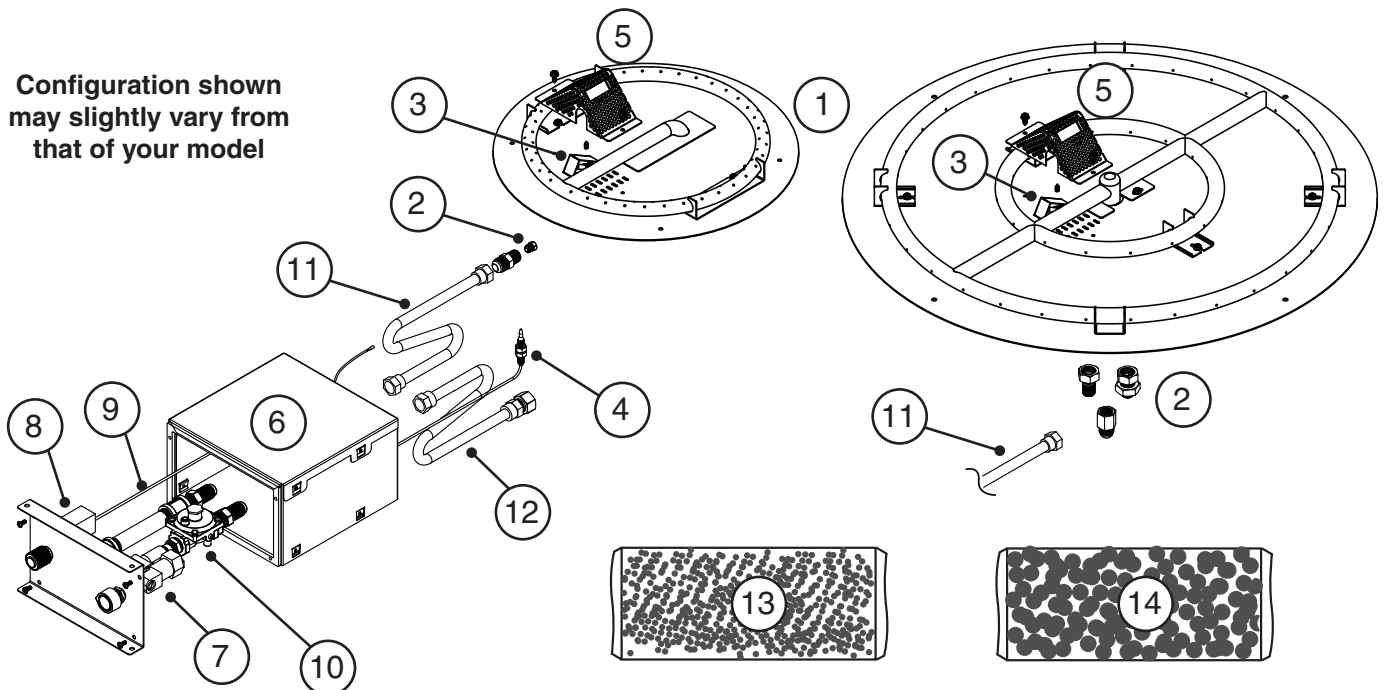
IMPORTANT
Remove all packing material (including any protective coatings) and discard prior to use.

COMMON REPLACEMENT PARTS LIST - OCBE-(34,44) PIEZO MANUAL MODELS

Item	Description	Part No.	Qty.
1. or	Burner pan assembly (burner ring and pan) - OCBE-34 Burner pan assembly (burner ring and pan) - OCBE-44	OBE-34A OBE-44A	1 1
2. or or or	Orifice (Nat.) - OCBE-34 Orifice (L.P.) - OCBE-34 Orifice (Nat.) - OCBE-44 Orifice (L.P.) - OCBE-44	3002-23 3002-40 AB-2-E AM-2-29	1 1 1 1
3.	Electrode igniter assembly	OCR-34-17	1
4.	Thermocouple	SV-30-1	1
5.	Igniter screen	OCR-34-15	1
6. or	Control box assembly (Nat.) Control box assembly (L.P.)	OCB-24-16 OCB-24-16P	1 1
7.	Valve	SV-34	1
8.	Igniter module *	OCR-34-21	1
9.	Igniter electrode wire	WI-31	1
10.	Convertible regulator	PR-4	1
11.	Flex connector, 36"	3036	1
12.	Flex connector, 24"	3035-01	1
13.	Lava granules	LF-10	1 or 2
14.	Lava coals	LFC-6	1

* When purchasing Item 8, Item 9 must also be purchased

Configuration shown may slightly vary from that of your model



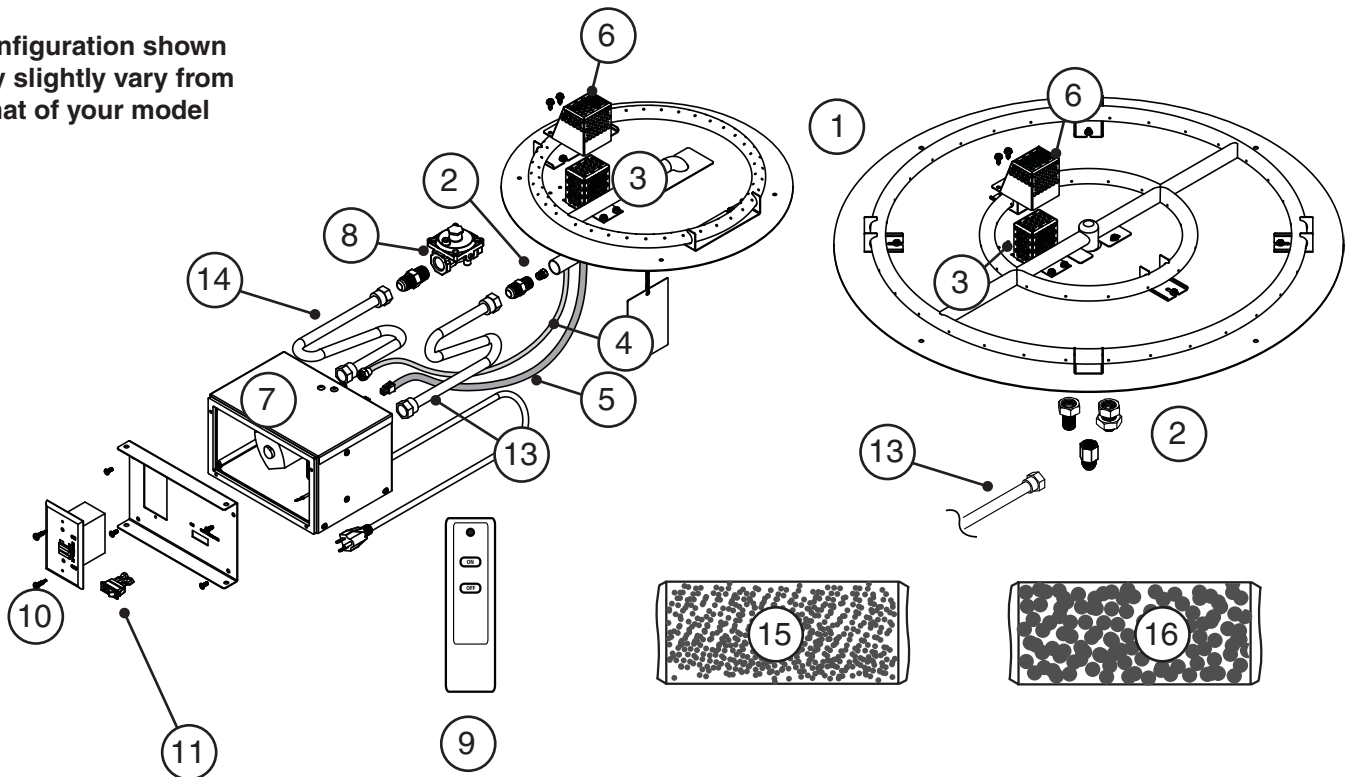
PARTS LIST (cont.)

COMMON REPLACEMENT PARTS LIST - OCBE-(34,44)-06 REMOTE MODELS

Item	Description	Part No.	Qty.
1.	Burner pan assembly (burner ring and pan) - OCBE-34	OBE-34-06	1
or	Burner pan assembly (burner ring and pan) - OCBE-44	OBE-44-06	1
2.	Orifice (Nat.) - OCBE-34	3002-22	1
or	Orifice (L.P.) - OCBE-34	3002-38	1
or	Orifice (Nat.) - OCBE-44	AB-2-2	1
or	Orifice (L.P.) - OCBE-44	AM-2-30	1
3.	Pilot assembly (Nat.)	PAC-17	1
or	Pilot assembly (L.P.)	PAC-17P	1
4.	Pilot gas line	PGS-1	1
5.	Wire extension	WH-07	1
6.	Pilot screen	OCBE-06-15	1
7.	Control box assembly	OCBE-06-06	1
8.	Convertible regulator	PR-4	1
9.	Remote transmitter (only)	AT-R1-1	1
10.	Remote kit (includes receiver, transmitter, batteries, plastic cover)	RR-1A	1
11.	Manual ON/OFF switch	SW-11	1
12.	Fuse *	24187-48	1
13.	Flex connector, 36"	CK-5-36SP	1
14.	Flex connector, 24"	CK-5-24SP	1
15.	Lava granules	LF-10	1 or 2
16.	Lava coals	LFC-6	1

* not shown

Configuration shown
may slightly vary from
that of your model

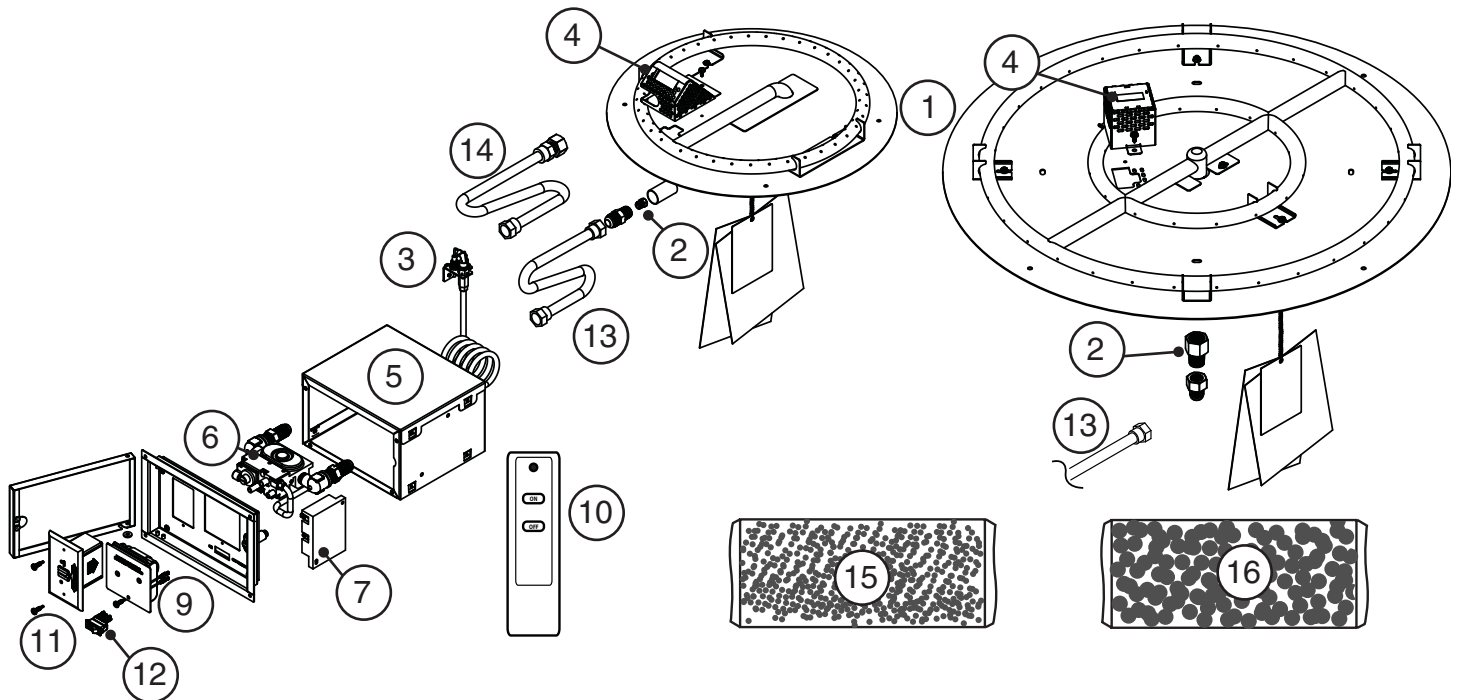


PARTS LIST (cont.)

COMMON REPLACEMENT PARTS LIST - OCBE-(34,44)-02 REMOTE MODELS

Item	Description	Part No.	Qty.
1.	Burner pan assembly (burner ring and pan) - OCBE-34	OBE-34-01	1
or	Burner pan assembly (burner ring and pan) - OCBE-44	OBE-44-02	1
2.	Orifice (Nat.) - OCBE-34	3002-18	1
or	Orifice (L.P.) - OCBE-34	3002-38	1
or	Orifice (Nat.) - OCBE-44	14226-3	1
or	Orifice (L.P.) - OCBE-44	14225-31	1
3.	Pilot assembly (Nat.)	PAC-20	1
or	Pilot assembly (L.P.)	PAC-20P	1
4.	Pilot screen - OCBE-34	OCBE-01-15	1
or	Pilot screen - OCBE-44	OCBE-02-15	1
5.	Control box assembly (Nat.)	OCBE-02-06	1
	Control box assembly (L.P.)	OCBE-02-06P	1
6.	Valve (Nat.)	SV-45	1
or	Valve (L.P.)	SV-45P	1
7.	Module	IMP-1	1
8.	Wire harness *	WH-06	1
9.	Battery pack assembly	IMP-2	1
10.	Remote transmitter (only)	AT-R1-1	1
11.	Remote kit (includes receiver, transmitter, batteries, plastic cover)	RR-1A	1
12.	Manual ON/OFF switch	SW-11	1
13.	Flex connector, 36"	3036	1
14.	Flex connector, 24"	3035-01	1
15.	Lava granules	LF-10	1
16.	Lava coals	LFC-6	1

* not shown



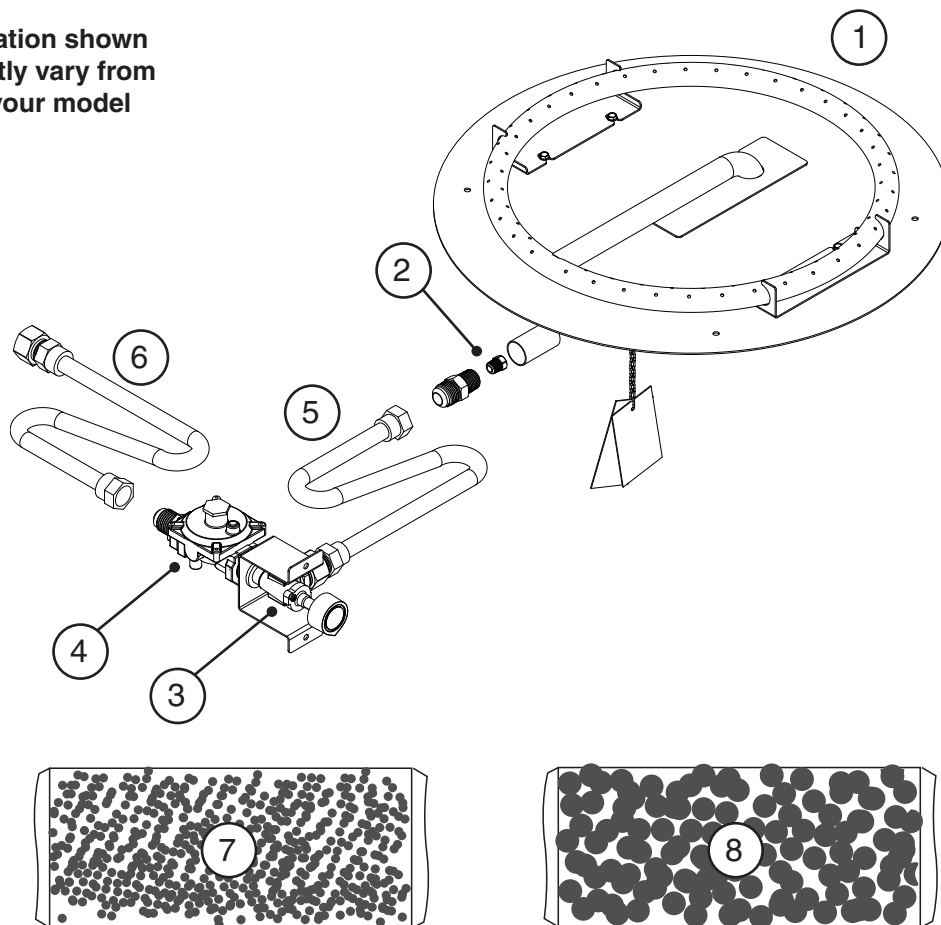
Configuration shown
may slightly vary from
that of your model

PARTS LIST (cont.)

COMMON REPLACEMENT PARTS LIST - OCBM-34 MATCH-LIT MANUAL VALVE MODELS

Item	Description	Part No.	Qty.
1.	Burner pan assembly (burner ring and pan)	OBM-34	1
2.	Orifice (Nat.) or Orifice (L.P.)	3002-28 3002-45	1 1
3.	Valve	SV-61	1
4.	Regulator	PR-4	1
5.	Flex connector, 36"	3036	1
6.	Flex connector, 24"	3035-01	1
7.	Lava granules	LF-10	1
8.	Lava coals	LFC-6	1

Configuration shown
may slightly vary from
that of your model

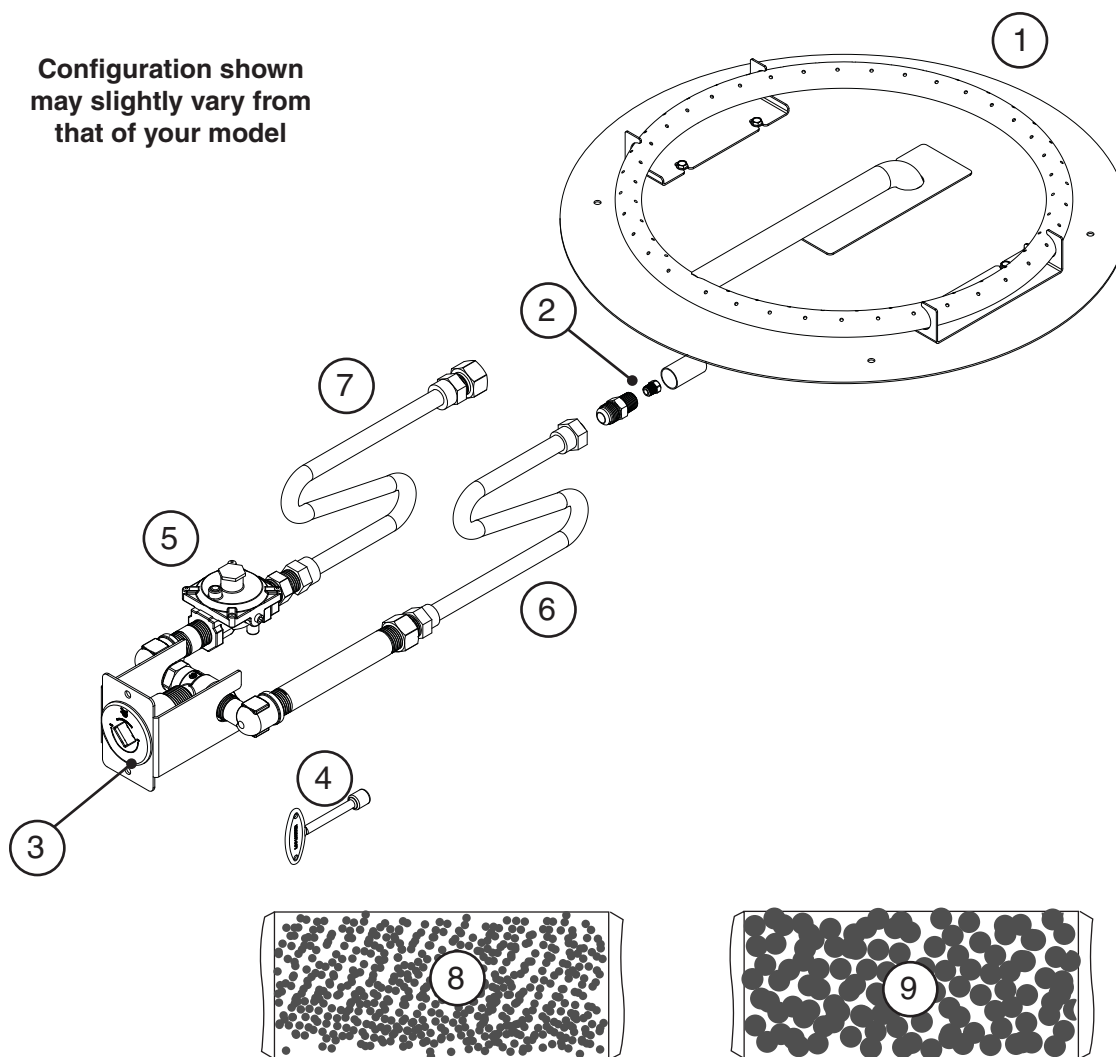


PARTS LIST (cont.)

COMMON REPLACEMENT PARTS LIST - OCB-34 MATCH-LIT MANUAL KEY MODELS

Item	Description	Part No.	Qty.
1.	Burner pan assembly (burner ring and pan)	OBM-34	1
2.	Orifice (Nat.)	3002-28	1
or	Orifice (L.P.)	3002-45	1
3.	Key valve w/ key assembly	AV-30	1
4.	Key (only)	VK-1	1
5.	Regulator	PR-4	1
6.	Flex connector, 36"	3036	1
7.	Flex connector, 24"	3035-01	1
8.	Lava granules	LF-10	1
9.	Lava coals	LFC-6	1

Configuration shown
may slightly vary from
that of your model



IMPORTANT SAFETY INFORMATION

BE CAREFUL

If not installed and used correctly per these instructions, this product can cause serious injury.

CAUTION: Installation and maintenance must be done by an NFI Certified or other qualified professional service technician. Read these instructions before installing this unit. Be sure you understand all safety precautions and warnings contained in this manual.

A. FOR OUTDOOR USE ONLY.

B. When shutting the unit down—be sure to **TURN THE CONTROL VALVE FULLY OFF.**

C. WARNING: CARBON MONOXIDE POISONING MAY LEAD TO DEATH. DO NOT MODIFY THIS UNIT OR ITS CONTROLS, EXCEPT AS PROVIDED FOR IN THIS MANUAL. Any other change may be dangerous. Improper installation or use of the unit can cause serious injury or death from fire, burns, explosions, or carbon monoxide poisoning.

D. Check state and local codes to determine if the unit is permitted in your locality before installation.

E. Select models allow for an adjustable flame height. **THESE SETTINGS MUST ALWAYS BE HIGH ENOUGH FOR THE FLAME TO BE CLEARLY VISIBLE. WHEN LIGHTING THE UNIT, ALWAYS LIGHT ON HIGH.**

FIRE PIT COMPONENTS INSTALLATION

BEFORE YOU BEGIN

Important: Prior to installation ensure that all specifications, dimensions, enclosure requirements, and minimum clearances stated in this manual are observed. You must read all warnings and safety information, and understand all of the information in this manual. All installation requirements must be observed and met.

WARNING: Failure to position the parts in accordance with these diagrams or failure to use only parts specifically approved with this appliance may result in property damage or personal injury.

- Confirm the installation site accommodates the unit per the requirements in this manual.
- Be sure the gas supply (propane or natural) is turned off at its source.
- **Wear gloves and use extreme caution whenever installing and handling this product and its accessories as certain components have sharp edges that can cause personal injury.**
- Remove all packing material (including any protective coatings) and discard prior to installation.

LOCATION

While following all requirements and safety information in this manual (see ENCLOSURE REQUIREMENTS - MINIMUM CLEARANCES section); determine and prepare the location that the unit enclosure is to be constructed upon (a hard, level, non-combustible surface).

Important: The gas supply and electrical setup must be considered when determining the location of the unit enclosure. See GAS SUPPLY SETUP and ELECTRICAL SETUP section for details (as applicable).

FIRE PIT COMPONENTS INSTALLATION (cont.)

GAS SUPPLY SETUP

Important: Do not connect this unit to a portable L.P. cylinder. It must be connected to a fixed piping system.

For Natural or Household Propane Gas Supply:

The gas supply is to be brought up from beneath the unit enclosure near its center. Your individual installation may vary. **Observe the National Fuel Gas Code and all local codes.**

1. Route the gas supply into the area that the unit will rest over (see Fig. 21-1, A).

Note: The gas supply or another flex can also be routed through the side of the unit enclosure (through a ventilation opening at the floor).

Important: Locate the gas supply line out of pathways where people may trip over it or in areas where the line may be subject to accidental damage (if applicable).

Note: A shut-off valve (not included) in the gas line is required. It must be installed within 6 feet of unit. If it is located within the enclosure, it must be easily accessible. Use a pipe joint compound resistant to all gasses on all NPT fittings **except flare fittings.**

ELECTRICAL SETUP (if applicable)

A **120VAC (15 AMP minimum) GFCI GROUNDED 3-wire receptacle** (not included) is required within the vicinity of the enclosure to provide power to the unit. The GFCI receptacle must be a WEATHER-PROOF IN-USE COVERED RECEPTACLE. The unit's power supply cord is located on the rear of the control box. Your individual installation may vary. **Observe the National Electric Code and all local codes.**

1. Wire the receptacle into the area that the enclosure will rest over (see Fig 21-1, B).
 - **Verify proper polarity of the receptacle.**
 - **If an extension cord is used, ensure it is a 3-wire GROUNDED cord that is rated for the power of the equipment, and is approved for outdoor use with a W-A marking. DO NOT use 2-prong adapters.**
 - **DO NOT TAMPER WITH THE EXTENSION CORD OR THE UNIT POWER-SUPPLY CORD.**

Installation continued on next page

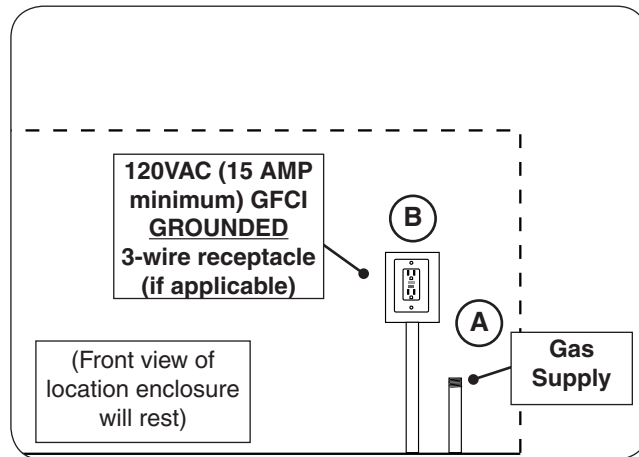


Fig. 21-1 Route gas and electrical (receptacle)

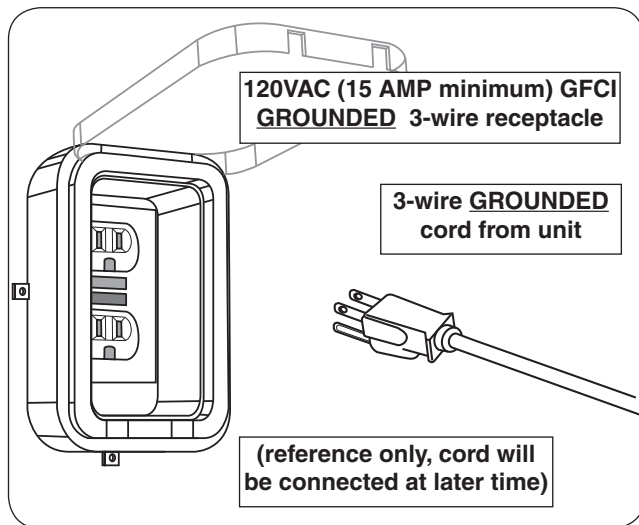


Fig. 21-2 Electrical setup detail

FIRE PIT INSTALLATION (cont.)

CONSTRUCT ENCLOSURE

Construct the enclosure according to your individual install preference, while following the guidelines found in the ENCLOSURE REQUIREMENTS section.

- Construct the enclosure in an appropriate location (refer back to the LOCATION section if needed).
- **Follow all information regarding enclosure parameters, ventilation, drainage, and clearance to combustibles listed in the ENCLOSURE REQUIREMENTS section.** Failure to do so will prevent the burner system from operating properly and can cause property damage or personal injury.
- Refer to the SPECIFICATIONS AND DIMENSIONS section for cutout details.

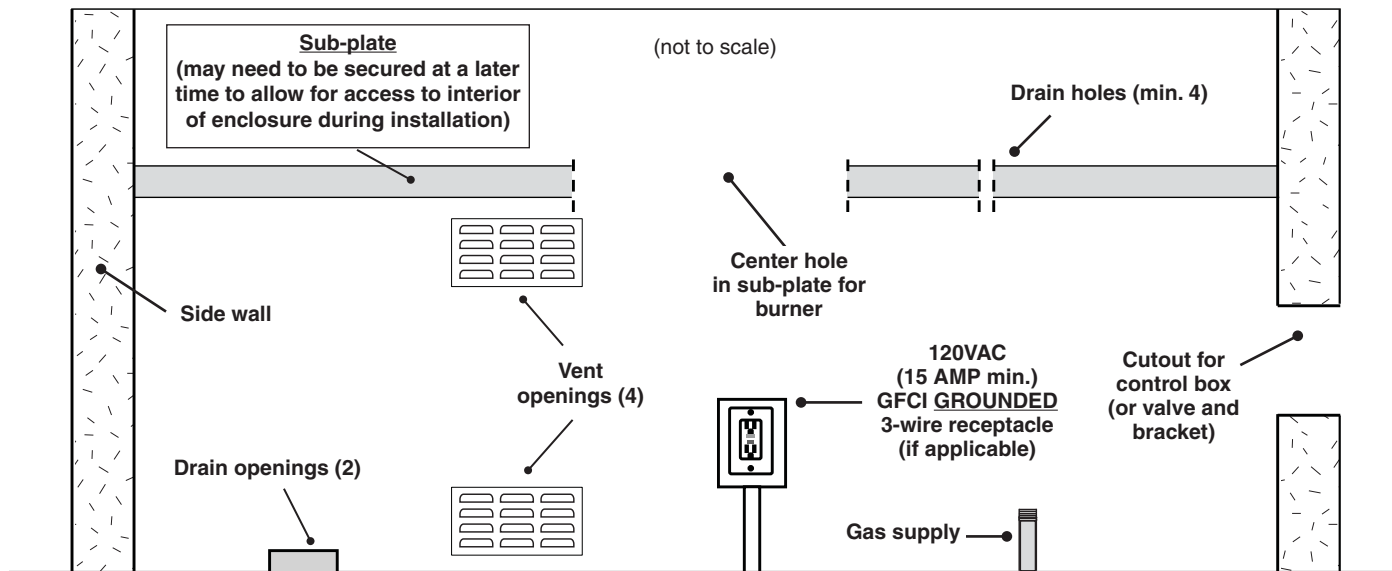


Fig. 22-1 Enclosure construction overview (side view)

INSTALL BURNER SYSTEM

Install the burner system into the enclosure. This requires:

- (A) control box (or valve and bracket) assembly installed into side wall, (B) flex connector connected to gas supply,
- (C) power cord connected to receptacle (06 models only), and (D) burner assembly mounted onto sub-plate.

Refer to the following sections for details on each area of installation.

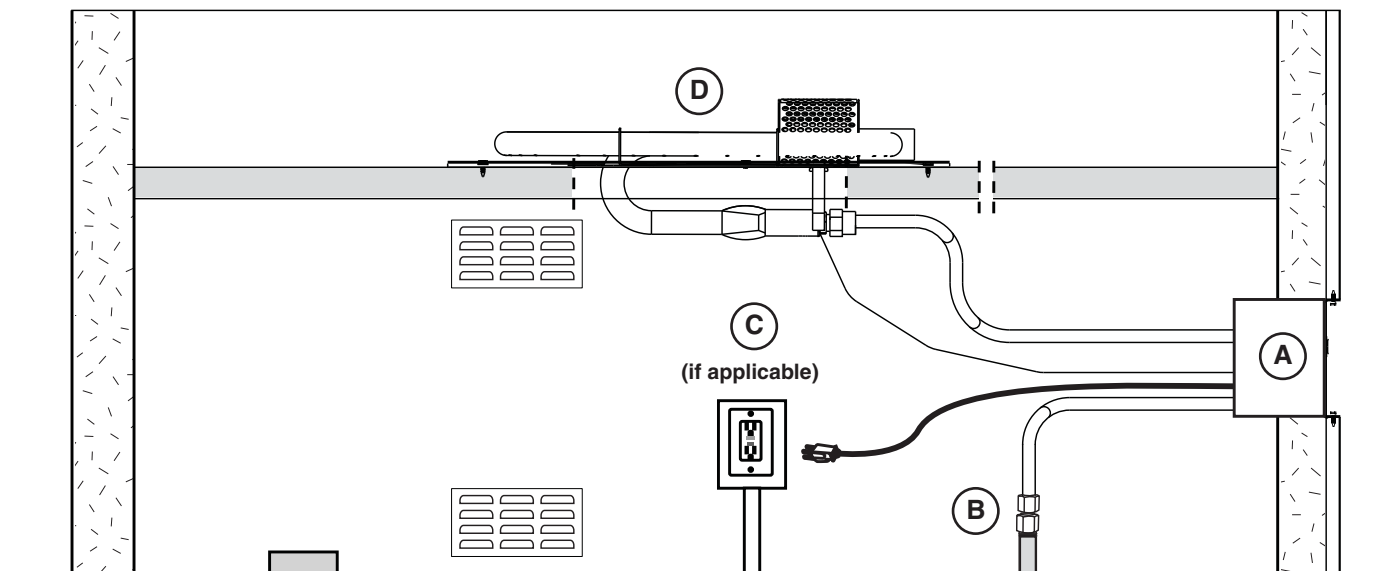


Fig. 22-2 Install burner system

Control Box Assembly (if applicable)

Install the control box assembly into the cutout in the enclosure side wall. Use appropriate hardware for the enclosure material/construction and the 4 mounting holes found on the box assembly (see Fig. 23-1).

Valve and Bracket Assembly (if applicable)

OCBM-34

Install the valve and bracket assembly into the small circular cutout in the enclosure side wall. Use appropriate hardware for the enclosure material/construction and the 2 mounting holes found on the bracket (see Fig. 23-2).

OCB-34

Install the valve and bracket assembly into the small circular cutout in the enclosure side wall. Use appropriate hardware for the enclosure material/construction and the 2 mounting holes found on the bracket (see Fig. 23-3).

Installation continued on next page

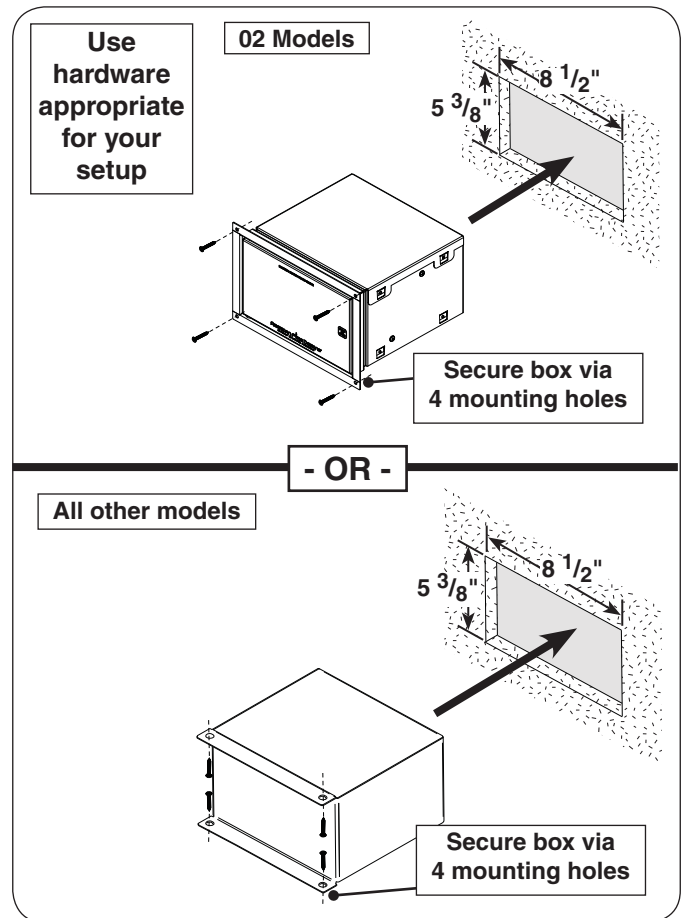


Fig. 23-1 Install control box (if applicable)

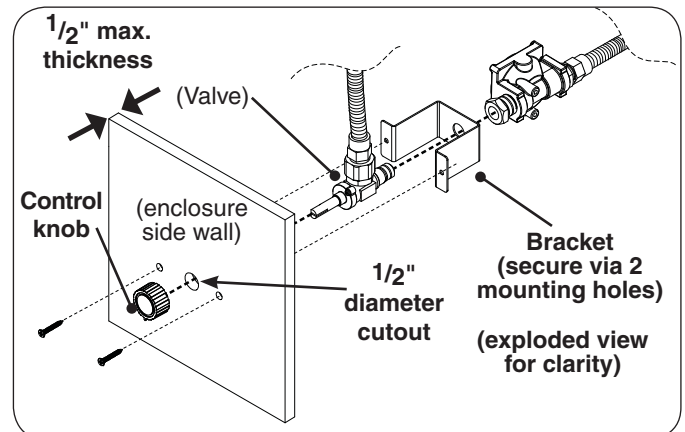


Fig. 23-2 Install valve & bracket assy (if applicable)

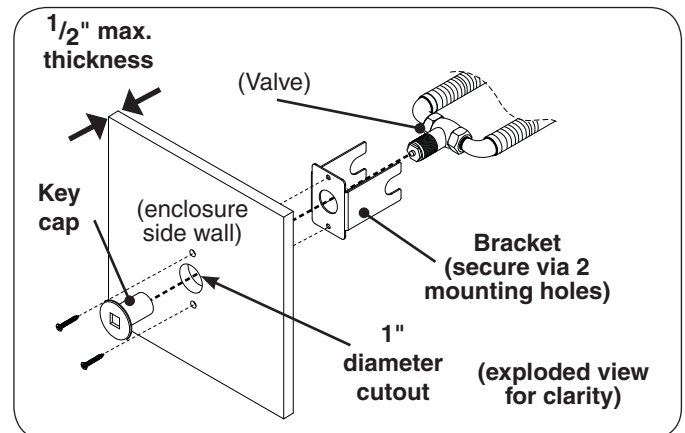


Fig. 23-3 Install valve & bracket assy (if applicable)

FIRE PIT INSTALLATION (cont.)

Connect Gas Supply

CAUTION: DO NOT connect this unit to a portable L.P. Cylinder. It must be connected to a fixed piping system.

Important: Before installation, be sure the gas supply (propane or natural) is turned off at its source.

1. Locate the flex connector that is coming off the control box (or valve assembly).
2. Locate the gas supply that is beneath the unit (previously routed at beginning of installation).

06 Models Only

A shut-off valve is required within 6 feet of the unit. If it is located within the enclosure, it must be easily accessible.

- Connect the regulator (on end of flex connector) to the gas supply (NPT) OR shut-off valve (NPT) using a pipe joint compound resistant to all gasses (see Fig. 24-1, A1 or B1). Tighten securely.

The regulator may need to be disconnected from the flex connector to make the proper connections. Reconnect the flex to the regulator if removed.

All Other Models

A shut-off valve is required within 6 feet of the unit. If it is located within the enclosure, it must be easily accessible.

If shut-off valve is installed in-line:

- Install the supplied flare-to-NPT adapter to the gas supply (NPT) using a pipe joint compound resistant to all gasses (see Fig. 24-1, A2). Tighten securely.
- Connect the flex connector to the adapter (see Fig. 24-1, A2). Tighten securely.

If shut-off valve is connected to end of gas supply stub:

- Connect the flex connector to the shut-off valve (flare)(see Fig. 24-1, B2). Tighten securely.

Installation continued on next page

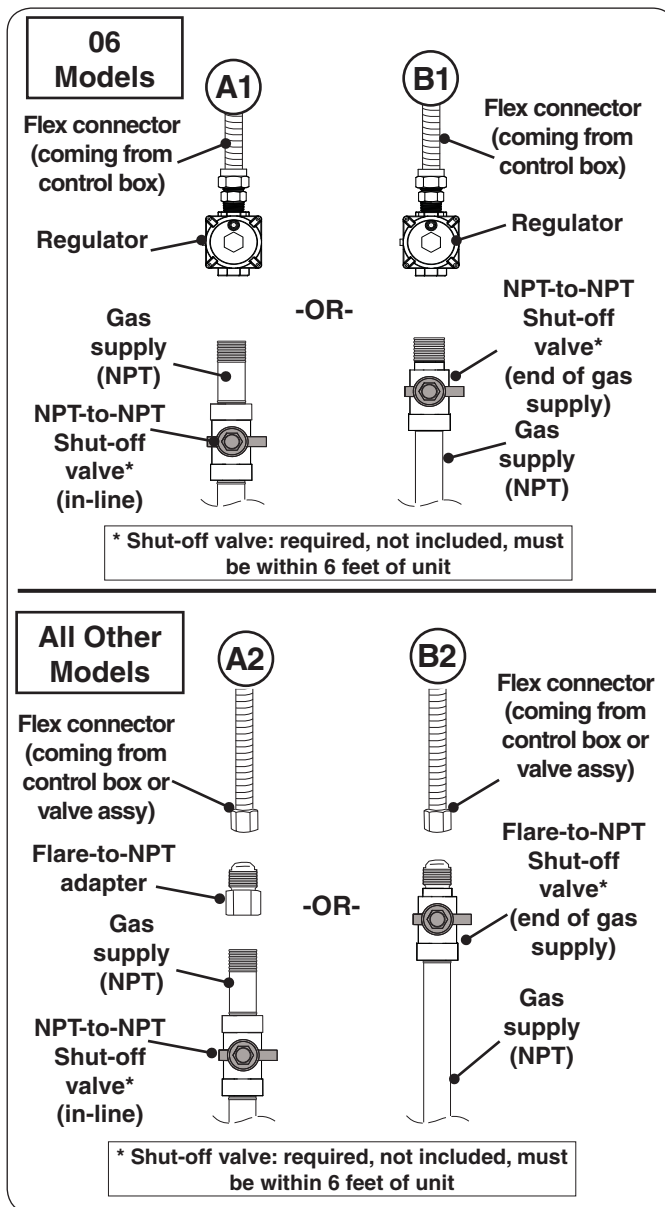


Fig. 24-1 Connecting to a gas line

Leak Test

Turn on the gas supply and test at all connections for leaks using a soapy water solution. If bubbles appear, a leak is present. Turn off the gas and tighten at all connections. Repeat until no leaks are present. If a leak persists, turn off the gas supply and contact the local gas company or dealer. **NEVER USE A FLAME TO CHECK FOR LEAKS.**

Connect Power Supply Cord (if applicable)

Route the power supply cord (coming from control box) to the previously wired **120VAC (15 AMP minimum) GFCI GROUNDED 3-wire receptacle** and connect (see Fig. 25-1).

Install Batteries (if applicable)

At this stage the burner system batteries are to be installed. Reference the **SERVICING AND CLEANING - BATTERY INSTALLATION/REPLACEMENT** section for details.

Mount Burner Assembly

Mount the burner pan onto the non-combustible sub-plate of the enclosure. Use appropriate hardware for the sub-plate material/construction and the 4 mounting holes found on the burner pan (see Fig. 25-2).

Lighting Test

Prior to proceeding with installation, perform a lighting test (see lighting instructions for lighting your burner). **Allow the unit to completely cool after testing.**

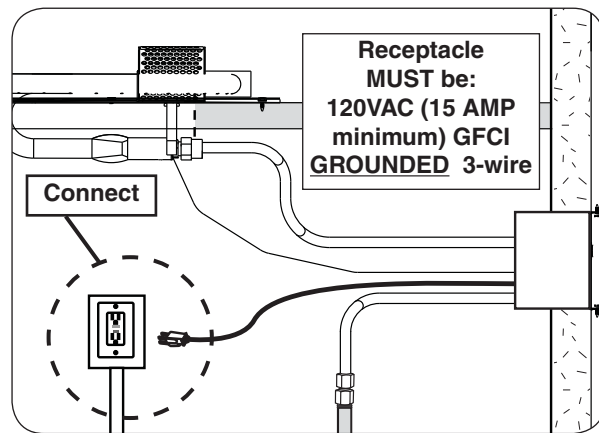


Fig. 25-1 Route and connect power supply cord

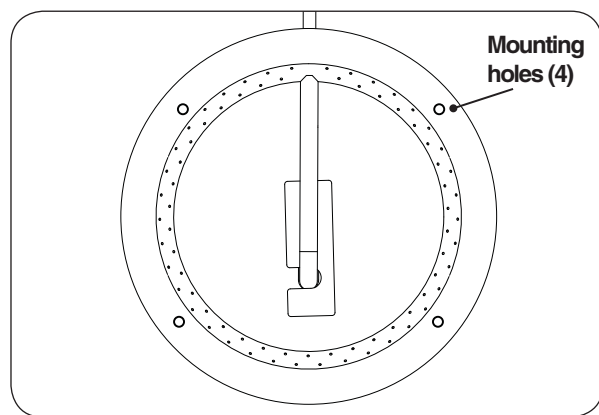


Fig. 25-2 Mount burner assembly

DECORATIVE MEDIA PLACEMENT

WARNING: Failure to position the parts in accordance with these diagrams or failure to use only parts specifically approved with this appliance may result in property damage or personal injury.

CAUTION: Be sure the unit and the decorative media are completely cool anytime the media is handled. **Wear gloves whenever installing and handling as certain media may have sharp edges that can cause personal injury.**

Important: If applicable, keep the pilot/igniter screen clear of decorative media and any other items / debris at all times. This will allow for proper ignition and operation. **DO NOT** cover.

REQUIRED BASE MEDIA (SUPPLIED)

For Lava or Log Setups:

The lava granules and coals (included with burner) **MUST** first be placed to cover the burner. (The granules are smaller in size; the coals are larger).

1. Pour the 10 lb bag(s) of lava granules into the burner pan, evenly covering the burner pan assembly (with the exception of the screen - if applicable). See Fig. 26-1 and Fig. 26-2.
2. Repeat for the 6 lb bag of lava coals.

For Glass Setups:

The lava granules (included with burner) **MUST** first be placed to cover the burner. (The granules are smaller in size.)

Important: **DO NOT** use the 6 lb bag of lava coals when installing this burner system with glass. Set the lava coals aside or discard. **Only use the 10 lb bag(s) of lava granules.**

1. Pour the 10 lb bag(s) of lava granules into the burner pan, evenly covering the burner pan assembly (with the exception of the screen - if applicable). See Fig. 26-1 and Fig. 26-2.

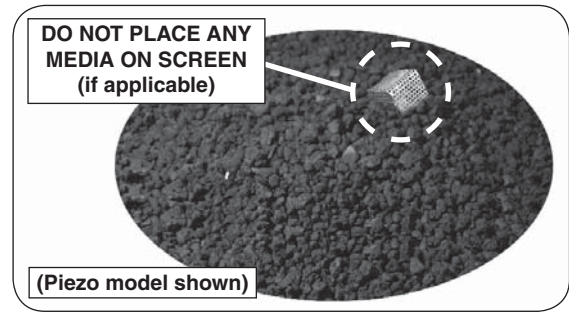


Fig. 26-1 Place lava

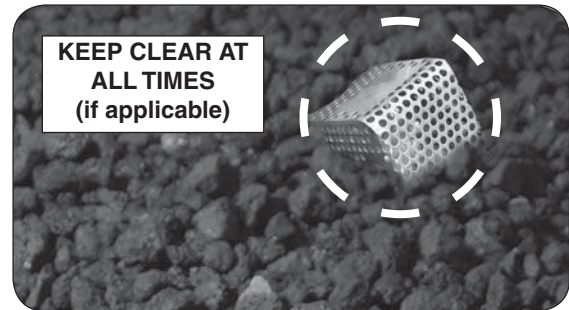


Fig. 26-2 Screen detail (if applicable)

DECORATIVE MEDIA PLACEMENT (cont.)

PRIMARY AND SECONDARY MEDIA OPTIONS

Additional American Fyre Designs decorative media may be placed around the burner if desired. The decorative media is purchased and packaged separately. Contact your local American Fyre Designs dealer for ordering information. Locate the following section(s) that apply to your option(s) chosen and install accordingly.

The supplied media is required for safe operation and proper performance. Place first. All other media is optional.

Reference the SPECIFICATIONS AND DIMENSIONS section for details on the recommended amounts of media.

Lava Media

Pour the lava granules or lava coals evenly into the burner area around the perimeter of the already covered burner assembly (see Fig. 27-1).

Important: **DO NOT** place any additional lava media above the burner. Ensure no existing media is covering the screen (if applicable). Store any excess media in a safe location.

Note: When using both lava granules and coals, granules are to be placed first.

Volcanic Stones

After the required base media (and any additional lava media) has been placed, pour the volcanic stones evenly into the burner area (see Fig. 27-2). The stones may form a mound. **Store any excess media in a safe location.**

Log Sets

After the required base media (and any additional lava media) has been placed, follow the instructions included with your log set chosen for step by step log placement.

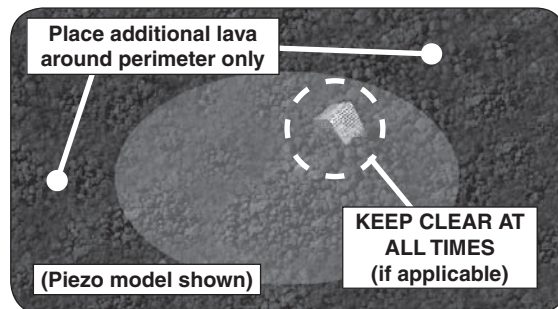


Fig. 27-1 Lava media option

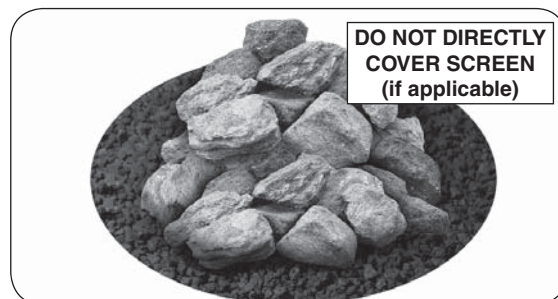


Fig. 27-2 Volcanic stones option



Fig. 27-3 Log set option - PRO-27



Fig. 27-4 Log set option - OCL-34



Fig. 27-5 Log set option - OCBW-34

Glass Media

After the required base lava granules (and any additional granules) have been placed, pour the glass media (glass, gems) evenly into the entire burner area (see Fig. 28-1). The glass should be 2" above the burner.

Important: ONLY lava granules are to be placed above the burner as a base. DO NOT place coals.

DO NOT place any glass media on the screen (if applicable). Ensure no existing lava granules are covering the screen.

DO NOT exceed a height of 2" above the burner when placing glass media. Store any excess media in a safe location.

Additional Secondary Options

After the required base lava media (and any additional lava or glass media) has been placed, various river stone, creekstone, geo shape, wood chunk, and glass nugget options are available. If one of these secondary options are purchased, place them as desired in a decorative pattern on top of the primary media. See Fig. 28-2 for an example.

Note: These options are not designed to be placed directly on the burner.

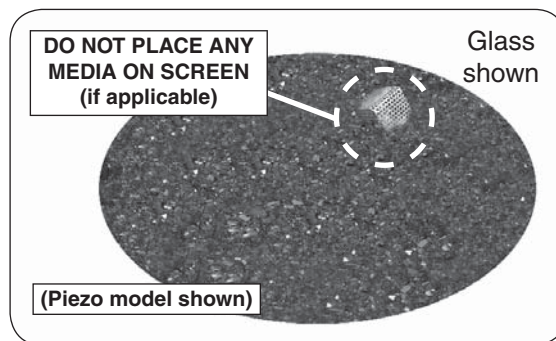


Fig. 28-1 Glass option

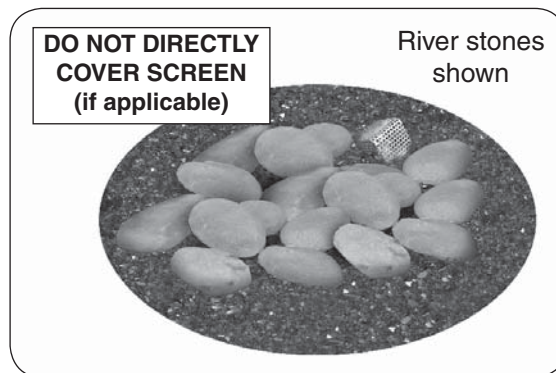


Fig. 28-2 Secondary options

LIGHTING INSTRUCTIONS - MATCH LIT VALVE MODELS

FOR YOUR SAFETY, READ BEFORE LIGHTING

WARNING: IF YOU DO NOT FOLLOW THESE INSTRUCTIONS EXACTLY, A FIRE OR EXPLOSION MAY RESULT, CAUSING PROPERTY DAMAGE, PERSONAL INJURY, OR LOSS OF LIFE.

- A. BEFORE LIGHTING**, smell all around the unit area for gas. Be sure to smell next to the floor, because some gas is heavier than air and will settle on the floor.
- B. WHAT TO DO IF YOU SMELL GAS**
1. Shut off the gas to the appliance.
 2. Extinguish any open flame.
 3. If odor continues, immediately call your gas supplier or the fire department.
- C.** Use only your hand to push in or turn the gas control knob. Never use tools. If the knob will not push in or turn by hand, **DO NOT** try to repair it. Call a qualified professional service technician. Force or attempted repair may result in fire or explosion.

1. **STOP!** Read the safety information above.
2. Ensure the gas control knob is in the **OFF** position before beginning lighting sequence.
3. Lay a lighted match on the surface of the decorative media near the burner (**do not hold the match in your hand**) (Fig. 29-1).
4. **Once the match is burning and in position**, depress the gas control knob and turn it counter-clockwise to the **ON** position (see Fig. 29-2). Your burner should light.

WARNING: If the burner does not light within five (5) seconds of turning the control knob, immediately depress the control knob and turn clockwise to the **OFF** position.

Wait approximately five (5) minutes to clear out any gas, and repeat steps 3-4 above.

If your burner fails to light again, depress the control knob and turn clockwise to the OFF position and contact your dealer or gas supplier.

Note: The flame height can be adjusted via the control knob.

TO SHUT OFF GAS TO THE APPLIANCE

To extinguish your gas burner, depress the gas control knob and turn it clockwise to the **OFF** position (see Fig. 29-2). Be sure the control knob is turned fully off to avoid any gas leakage.

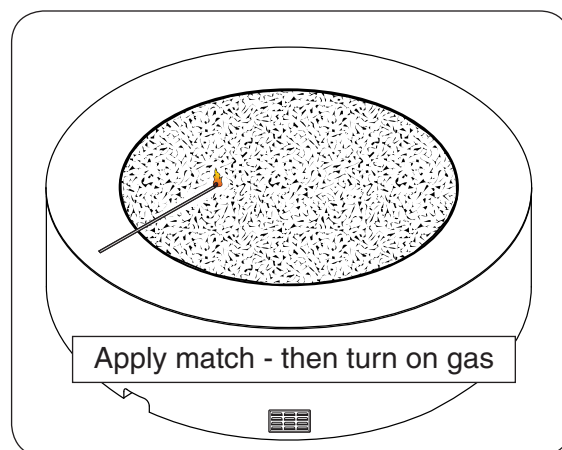


Fig. 29-1

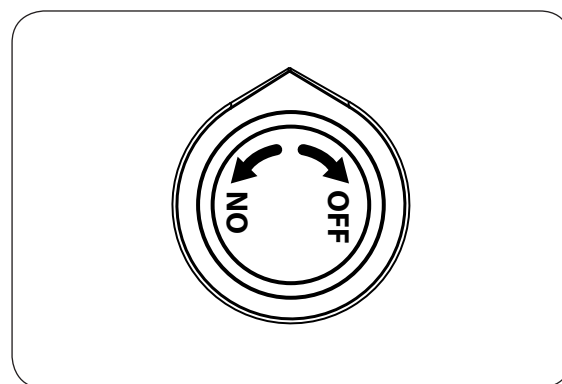


Fig. 29-2

INSTRUCTIONS D'ALLUMAGE - MODÈLE MANUEL VANNE D'ÉCLAIRAGE

POUR VOTRE SÉCURITÉ, LIRE AVANT D'ALLUMER

AVERTISSEMENT: SI VOUS NE SUIVEZ PAS CES INSTRUCTIONS À LA LETTRE, UN INCENDIE OU UNE EXPLOSION POURRAIENT S'ENSUIVRE, CAUSANT DES DOMMAGES MATÉRIELS, DES BLESSURES OU DES PERTES DE VIE.

- A. AVANT D'ALLUMER**, sentez tout autour de l'unité de surface pour le gaz. Assurez-vous de sentir près du plancher, car certains gaz sont plus lourds que l'air et se déposent sur le sol.
- B. QUE FAIRE SI UNE ODEUR DE GAZ**
1. Coupez le gaz à l'appareil.
 2. Éteindre toute flamme nue.
 3. Si l'odeur persiste, appelez immédiatement votre fournisseur de gaz ou le service des incendies.
- C.** N'utilisez que votre main pour enfoncer ou tourner le bouton de contrôle du gaz. Ne jamais utiliser d'outils. Si le bouton ne sera pas enfoncer ou à tourner à la main, NE PAS essayer de le réparer. Appelez un technicien de service qualifié. Force ou une tentative de réparation pourrait provoquer un incendie ou une explosion.

1. **ARRÊT!** Lire les consignes de sécurité ci-dessus.
2. S'assurer que le bouton de contrôle du gaz est en position **OFF (éteindre)** avant de séquence d'éclairage à partir la position.
3. Poser une allumette allumée sur la surface du support décoratif près du brûleur (**ne pas tenir l'allumette dans la main**) (Fig. 30-1).
4. **Une fois que le match est en feu et en position**, appuyer sur le bouton de contrôle du gaz et tournez dans le sens antihoraire à la position de **ON (allumer)** (voir Fig. 30-2). Votre brûleur devrait s'allumer.

AVERTISSEMENT: Si le brûleur ne se allume pas la lumière dans les cinq (5) secondes de tourner le bouton de commande, appuyez immédiatement sur le bouton de commande et tournez dans le sens horaire à la position **OFF (éteindre)**.

Attendez environ cinq (5) minutes pour laisser échapper tout le gaz, et répétez les étapes 3-4 ci-dessus.

Si votre brûleur ne s'allume pas, appuyer sur le bouton de commande et tournez dans le sens horaire à la position OFF (éteindre) et contactez votre revendeur ou fournisseur de gaz.

Note: La hauteur des flammes peut être réglée via le bouton de commande.

POUR ARRÊTER LE GAZ À L'APPAREIL

Pour éteindre le brûleur à gaz, appuyer sur le bouton de contrôle du gaz et tournez dans le sens horaire à la position **OFF (éteindre)** (voir Fig. 30-2). Assurez-vous que le bouton de commande est tourné complètement hors tension pour éviter toute fuite de gaz.

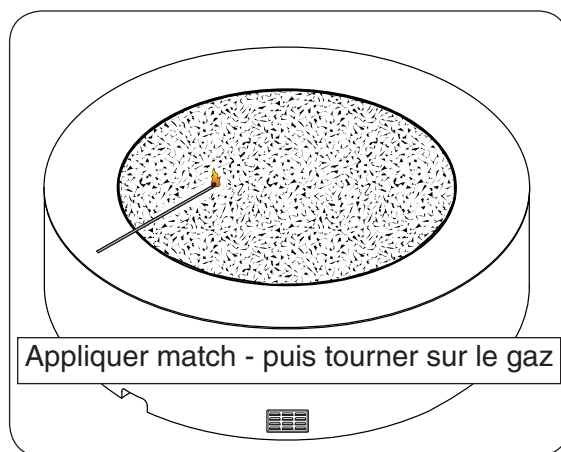


Fig. 30-1

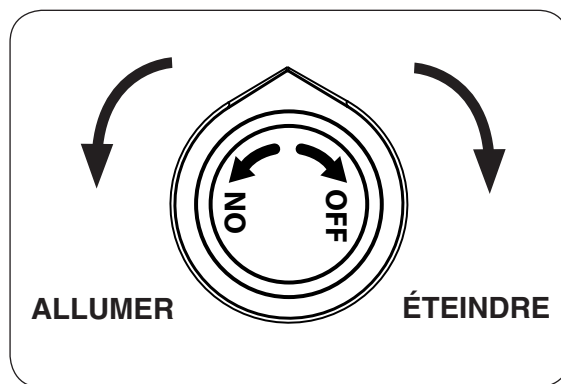


Fig. 30-2

LIGHTING INSTRUCTIONS - MATCH LIT KEY MODELS

FOR YOUR SAFETY, READ BEFORE LIGHTING

WARNING: IF YOU DO NOT FOLLOW THESE INSTRUCTIONS EXACTLY, A FIRE OR EXPLOSION MAY RESULT, CAUSING PROPERTY DAMAGE, PERSONAL INJURY, OR LOSS OF LIFE.

- A. BEFORE LIGHTING**, smell all around the unit area for gas. Be sure to smell next to the floor, because some gas is heavier than air and will settle on the floor.
- B. WHAT TO DO IF YOU SMELL GAS**
1. Shut off the gas to the appliance.
 2. Extinguish any open flame.
 3. If odor continues, immediately call your gas supplier or the fire department.
- C.** Use only a proper key to turn the gas line valve. Never use tools. If the valve will not turn, **DO NOT** try to repair it. Call a qualified professional service technician. Force or attempted repair may result in fire or explosion.

1. **STOP!** Read the safety information above.
2. Ensure the key valve is completely in the **OFF** position before beginning lighting sequence.
3. Lay a lighted match on the surface of the decorative media near the burner (**do not hold the match in your hand**) (Fig. 31-1).
4. **Once the match is burning and in position**, turn the key valve counter-clockwise a $\frac{1}{4}$ turn to the **ON** position (see Fig. 31-2). Your burner should light.

WARNING: If the burner does not light within (5) seconds of turning on the key valve, immediately turn the key valve clockwise a $\frac{1}{4}$ turn to the **OFF** position.

Wait approximately five (5) minutes to clear out any gas, and repeat steps 3-4 above.

If your burner fails to light again, turn the key valve clockwise a $\frac{1}{4}$ turn to the OFF position and contact your dealer or gas supplier.

Note: The flame height can be adjusted via the key valve.

TO SHUT OFF GAS TO THE APPLIANCE

To extinguish your gas burner, turn the key valve clockwise a $\frac{1}{4}$ turn to the **OFF** position (see Fig. 31-2). Be sure the key valve is turned fully off to avoid any gas leakage.

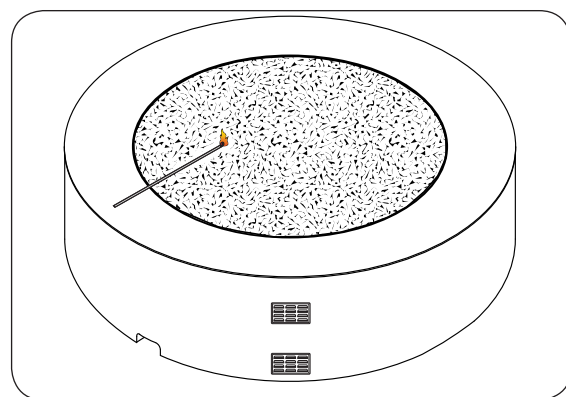


Fig. 31-1

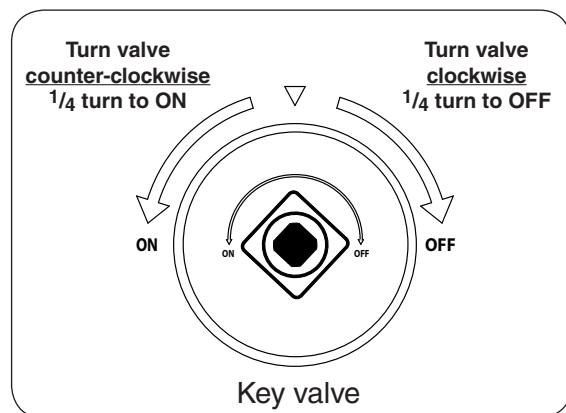


Fig. 31-2

INSTRUCTIONS D'ALLUMAGE - MODÈLES CLÉS ALLUMETTE

POUR VOTRE SÉCURITÉ, LIRE AVANT D'ALLUMER

AVERTISSEMENT: S'IL VOUS NE SUIVEZ PAS CES INSTRUCTIONS À LA LETTRE, UN INCENDIE OU UNE EXPLOSION POURRAIENT S'ENSUIVRE, CAUSANT DES DOMMAGES MATÉRIELS, DES BLESSURES OU DES PERTES DE VIE.

- A. AVANT D'ALLUMER**, sentez tout autour de l'unité de surface pour le gaz. Assurez-vous de sentir près du plancher, car certains gaz sont plus lourds que l'air et se déposent sur le sol.
- B. QUE FAIRE SI UNE ODEUR DE GAZ**
1. Coupez le gaz à l'appareil.
 2. Éteindre toute flamme nue.
 3. Si l'odeur persiste, appelez immédiatement votre fournisseur de gaz ou le service des incendies.
- C. Utilisez uniquement une clé propre à tourner la vanne de la conduite de gaz. Ne jamais utiliser d'outils. Si la vanne ne tourne pas, NE PAS essayer de le réparer. Appelez un technicien de service qualifié. Force ou une tentative de réparation pourrait provoquer un incendie ou une explosion.**

1. **ARRÊT!** Lire les consignes de sécurité ci-dessus.
2. S'assurer que le robinet est complètement clé en position **OFF (ÉTEINDRE)** avant de séquence d'éclairage à partir.
3. Poser une allumettes sur la surface des médias décoratifs près du brûleur (**ne pas tenir le match en main**) (Fig. 32-1).
4. **Une fois que le match est en feu et en position**, tournez la vanne clé sens anti-horaire d'un tour à la position **ON (sur)** 1/4 (voir Fig. 32-2). Votre brûleur devrait s'allumer.

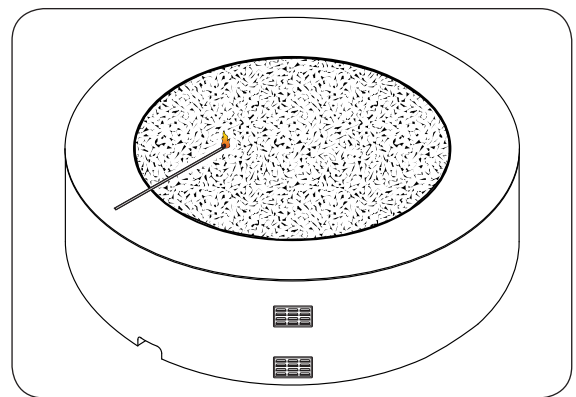


Fig. 32-1

AVERTISSEMENT: Si le brûleur ne se allume pas dans les cinq (5) secondes de tourner sur la vanne clé, tournez immédiatement la vanne clé vers la droite d'une tour à la position **OFF (éteindre)** 1/4.

Attendez environ cinq (5) minutes pour laisser échapper tout le gaz, et répétez les étapes 3-4 ci-dessus.

Si votre graveur ne s'allume à nouveau, tourner la soupape clé vers la droite d'une tour à la position OFF (éteindre) 1/4 et contactez votre revendeur ou fournisseur de gaz.

Note: La hauteur des flammes peut être réglée par la vanne clé.

POUR ARRÊTER LE GAZ À L'APPAREIL

Pour éteindre votre brûleur à gaz, tournez la soupape clé vers la droite d'une tour à la position **OFF (éteindre)** 1/4 (voir Fig. 32-2). Assurez-vous que la vanne clé est tournée entièrement au large pour éviter toute fuite de gaz.

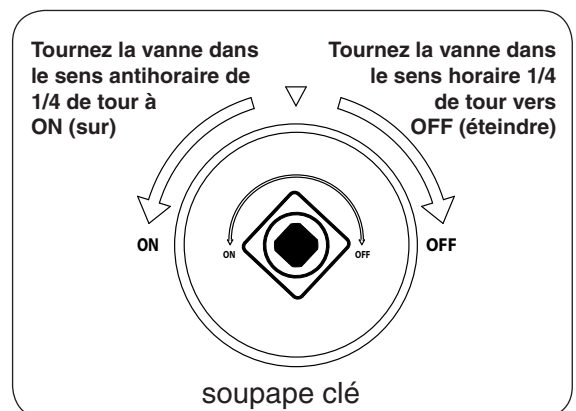


Fig. 32-2

LIGHTING INSTRUCTIONS - PIEZO MODELS

FOR YOUR SAFETY, READ BEFORE LIGHTING

WARNING: IF YOU DO NOT FOLLOW THESE INSTRUCTIONS EXACTLY, A FIRE OR EXPLOSION MAY RESULT, CAUSING PROPERTY DAMAGE, PERSONAL INJURY, OR LOSS OF LIFE.

- A. BEFORE LIGHTING**, smell all around the unit area for gas. Be sure to smell next to the floor, because some gas is heavier than air and will settle on the floor.
- B. WHAT TO DO IF YOU SMELL GAS**
1. Shut off the gas to the appliance.
 2. Extinguish any open flame.
 3. If odor continues, immediately call your gas supplier or the fire department.
- C.** Use only your hand to push in or turn the gas control knob. Never use tools. If the knob will not push in or turn by hand, **DO NOT** try to repair it. Call a qualified professional service technician. Force or attempted repair may result in fire or explosion.

1. **STOP!** Read the safety information above.
2. Ensure the gas control knob is in the **OFF** position before beginning lighting sequence.
3. Press and hold the electronic igniter button (see Fig. 33-1). The igniter will begin to spark with a rapid clicking sound.
4. **While holding the igniter button in, verify that the electrode is sparking.** Then turn the gas control knob counter-clockwise to the **ON** position, depress, and hold for 15 seconds (see Fig. 33-2). Your burner should light within 5 seconds.

Holding the knob in for 15 seconds allows the safety valve to activate and the burner to remain lit.

WARNING: If the burner fails to light within 5 seconds, immediately depress the control knob and turn clockwise to the OFF position.

Wait approximately five (5) minutes to clear out any gas, and repeat steps 3-4 above.

If your burner fails to light again, depress the control knob and turn clockwise to the **OFF** position and contact your dealer or gas supplier.

Note: The flame height can be adjusted via the control knob.

TO SHUT OFF GAS TO THE APPLIANCE

To extinguish your gas burner, depress the gas control knob and turn it clockwise to the **OFF** position (see Fig. 33-2). Be sure the control knob is turned fully off to avoid any gas leakage.

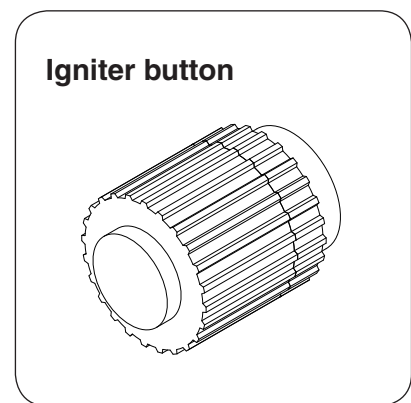


Fig. 33-1

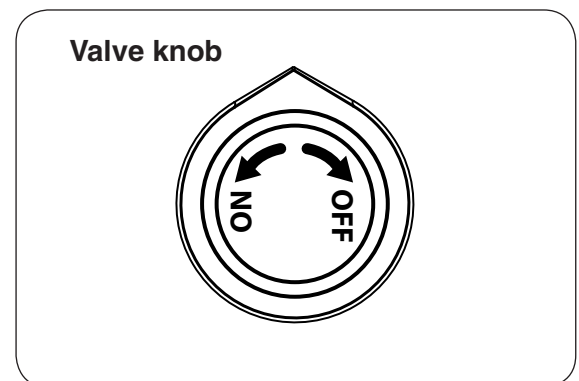


Fig. 33-2

INSTRUCTIONS D'ALLUMAGE - MODÈLES PIEZO

POUR VOTRE SÉCURITÉ, LIRE AVANT D'ALLUMER

AVERTISSEMENT: SI VOUS NE SUIVEZ PAS CES INSTRUCTIONS À LA LETTRE, UN INCENDIE OU UNE EXPLOSION POURRAIENT S'ENSUIVRE, CAUSANT DES DOMMAGES MATÉRIELS, DES BLESSURES OU DES PERTES DE VIE.

- A. AVANT D'ALLUMER**, sentez tout autour de l'unité de surface pour le gaz. Assurez-vous de sentir près du plancher, car certains gaz sont plus lourds que l'air et se déposent sur le sol.
- B. QUE FAIRE SI UNE ODEUR DE GAZ**
1. Coupez le gaz à l'appareil.
 2. Éteindre toute flamme nue.
 3. Si l'odeur persiste, appelez immédiatement votre fournisseur de gaz ou le service des incendies.
- C.** N'utilisez que votre main pour enfoncer ou tourner le bouton de contrôle du gaz. Ne jamais utiliser d'outils. Si le bouton ne sera pas enfoncer ou à tourner à la main, NE PAS essayer de le réparer. Appelez un technicien de service qualifié. Force ou une tentative de réparation pourrait provoquer un incendie ou une explosion.

1. **ARRÊT!** Lire les consignes de sécurité ci-dessus.
2. S'assurer que le bouton de contrôle du gaz est en position **OFF (éteindre)** avant de séquence d'éclairage à partir la position.
3. Appuyez et maintenez enfoncé le bouton d'allumage électronique (voir Fig. 34-1). L'allumeur commence à susciter un déclic rapide.
4. **Tout en maintenant le bouton d'allumage dans, vérifiez que l'électrode est étincelles.** Ensuite, tournez la commande de gaz dans le sens anti-horaire à la position **ON (allumer)**, appuyer et maintenir pendant 15 secondes (voir Fig. 34-2). Votre brûleur doit allumer.

Maintenir le bouton pendant 15 secondes permet à la soupape de sécurité et pour activer le brûleur reste allumé

AVERTISSEMENT: Si le brûleur ne s'allume pas dans les 5 secondes, appuyez immédiatement sur le bouton de commande et tournez dans le sens horaire à la position OFF (éteindre).

Attendez environ cinq (5) minutes pour laisser échapper tout le gaz, et répétez les étapes 3-4 ci-dessus.

Si votre brûleur ne s'allume pas, appuyer sur le bouton de commande et tournez dans le sens horaire à la position **OFF (éteindre)** et contactez votre revendeur ou fournisseur de gaz.

Note: La hauteur de flamme est réglable via le bouton de commande.

POUR ARRÊTER LE GAZ À L'APPAREIL

Pour éteindre le brûleur à gaz, appuyer sur le bouton de contrôle du gaz et tourner dans le sens horaire à la position **OFF (éteindre)** (voir Fig. 34-2). Assurez-vous que le bouton de commande est tourné complètement hors tension pour éviter toute fuite de gaz.

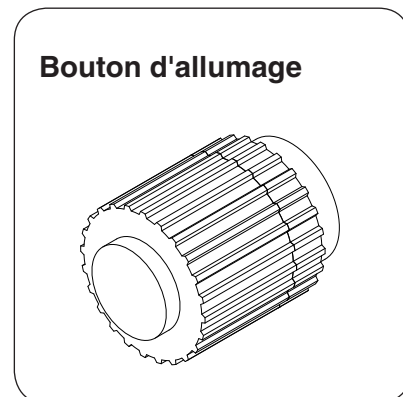


Fig. 34-1

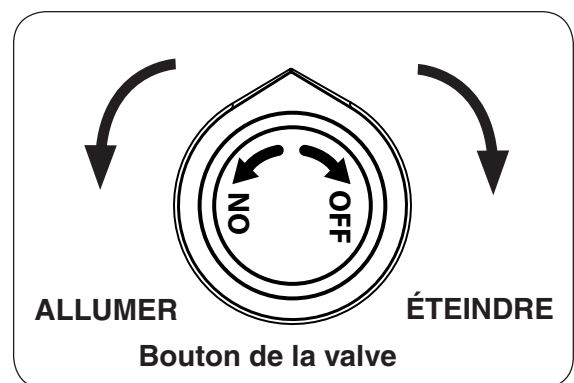


Fig. 34-2

LIGHTING INSTRUCTIONS - 02 / 06 REMOTE MODELS

FOR YOUR SAFETY, READ BEFORE LIGHTING

WARNING: If you do not follow these instructions exactly, a fire or explosion may result causing property damage, personal injury or loss of life.

- A. This appliance is equipped with an ignition device that automatically lights the pilot. DO NOT attempt to light the pilot by hand.
- B. **BEFORE LIGHTING**, smell all around the unit area for gas. Be sure to smell next to the floor, because some gas is heavier than air and will settle on the floor.
- C. **WHAT TO DO IF YOU SMELL GAS**
 1. Shut off the gas to the appliance.
 2. Extinguish any open flame.
 3. If odor continues, immediately call your gas supplier or the fire department.
- D. Use only your hand to push in or move the controls. Never use tools. If the control will not push in or move by hand, **DO NOT** try to repair it. Call a qualified professional service technician. Force or attempted repair may result in fire or explosion.

REMOTE LIGHTING

CAUTION: DO NOT attempt to light the pilot by hand.

Note: If the remote does not function, and batteries with an adequate power level are installed, refer to the SYNCING THE REMOTE section.

Note: Steps 1-2 may not be required if previously done during an earlier lighting.

1. Ensure the manual ON/OFF switch is in the **OFF/REMOTE** position (see Fig. 35-1).
2. Locate the 3-position switch on the remote receiver (see Fig. 35-1), and slide the switch to the **REMOTE** position.
3. Locate the remote transmitter and press the **ON** button (see Fig. 35-2). The ignition sequence will begin.

The remote receiver will emit an audible "beep"; then the igniter will begin to spark. After the pilot lights and is established, the valve will automatically open and the burner will light.

Note: The ignition sequence will take approximately 5 seconds.

WARNING: If the pilot fails to light within 5 seconds, or if the burner fails to light within 5 seconds of pilot lighting, press the OFF button on the remote transmitter and/or slide the switch to the OFF position. Allow five (5) minutes for any gas in the unit to dissipate, then repeat steps 1-3 above. **IF YOU SMELL GAS, SEE STEP B ABOVE.**

If the pilot fails to light after several tries, turn all control/remote system components to **OFF** and refer to the TROUBLESHOOTING section for further details.

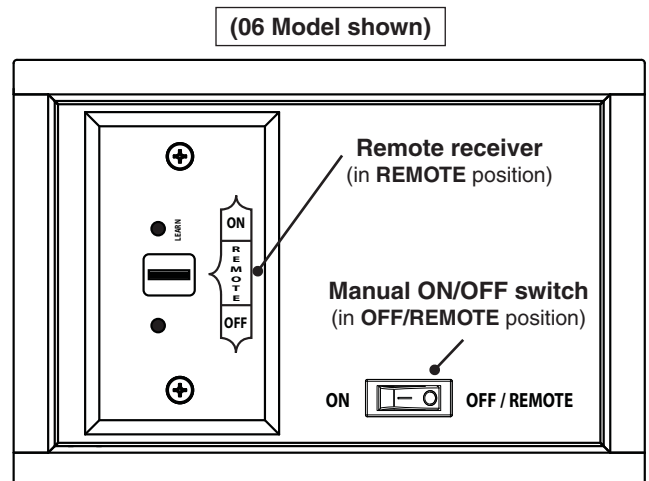


Fig. 35-1 Control panel detail

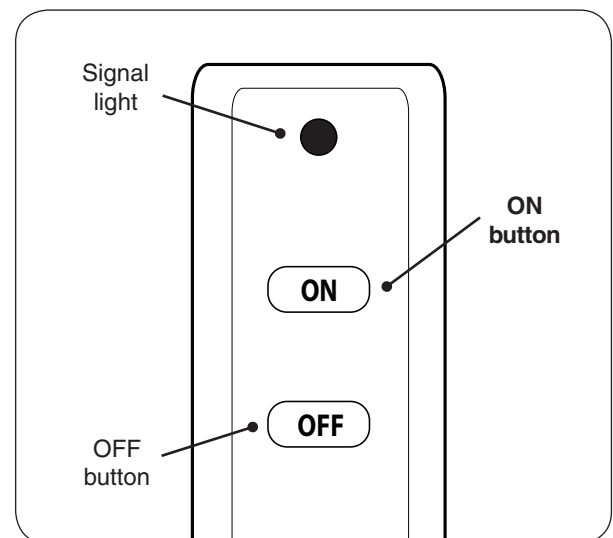


Fig. 35-2 Remote transmitter detail

POUR VOTRE SÉCURITÉ, LISEZ AVANT D'ALLUMER

AVERTISSEMENT: Si vous ne suivez pas ces instructions à la lettre, un incendie ou une explosion entraînant des dommages matériels, des blessures ou des pertes de vie.

- A. Cet appareil est équipé d'un dispositif d'allumage qui allume automatiquement la veilleuse. NE PAS essayer d'allumer la veilleuse à la main.
- B. **AVANT L'ALLUMAGE**, sentez autour de l'unité de surface pour le gaz. Soyez sûr de sentir près du plancher, car certains gaz sont plus lourds que l'air et se déposent sur le sol.
- C. **QUE FAIRE SI UNE ODEUR DE GAZ**
 1. Couper le gaz de l'appareil.
 2. Éteindre toute flamme nue.
 3. Si l'odeur persiste, appelez immédiatement votre fournisseur de gaz ou le service d'incendie.
- D. Utilisez seulement votre main pour pousser ou déplacer les commandes. Ne jamais utiliser des outils. Si la commande ne sera pas à enfoncer ou à déplacer à la main, **NE PAS** essayer de le réparer. Appelez un technicien de service professionnel qualifié. La force ou la tentative de réparation pourrait provoquer un incendie ou une explosion.

DISTANCE DE L'ÉCLAIRAGE

ATTENTION: NE PAS essayer d'allumer la veilleuse manuellement.

Note: Si la télécommande ne fonctionne pas, et des batteries avec un niveau de puissance adéquate sont installés, se référer à la section synchronisation des REMOTE.

Note: Les étapes 1 et 2 ne peuvent être tenus si elle a déjà fait au cours d'un éclairage plus tôt.

1. Vérifiez que l'interrupteur manuel est en position **OFF/REMOTE** (éteindre/éloigné) (voir Fig. 36-1).
2. Repérez l'interrupteur à 3 positions sur le récepteur de télécommande (voir Fig. 36-1), Et faites glisser l'interrupteur à la position **REMOTE**(éloigné).
3. Localisez la télécommande et appuyez sur la touche **ON** (sur) (voir Fig. 36-2). La séquence d'allumage commence.

Le récepteur à distance émettra un "bip" audible; alors l'allumeur commencera à s'allumer. Après les feux de pilotes et est établie, la vanne se ouvre automatiquement et le brûleur se allume.

Note: La séquence d'allumage prendra environ 5 secondes.

AVERTISSEMENT: Si la veilleuse ne s'allume pas dans les 5 secondes ou si le brûleur ne s'allume pas dans les 5 secondes suivant l'allumage de la veilleuse, appuyez sur le bouton OFF de la télécommande et / ou faites glisser le commutateur en position OFF. Autoriser cinq (5) minutes pour tout gaz dans l'unité à se dissiper, puis répétez les étapes 1 et 2 ci-dessus. **SI VOUS UNE ODEUR DE GAZ, voir l'étape B ci-dessus.**

Si le pilote ne parvient pas à allumer après plusieurs essais, tournez tout contrôle / composants du système à distance sur **OFF** et se référer à la section dépannage pour plus de détails.

(06 Modèle illustré)

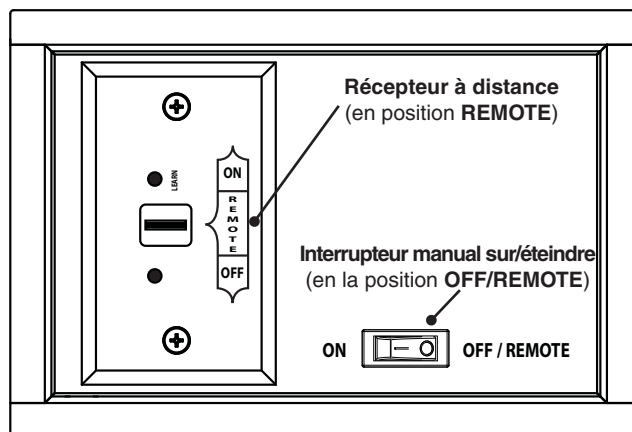


Fig. 36-1 Contrôle détail du panneau

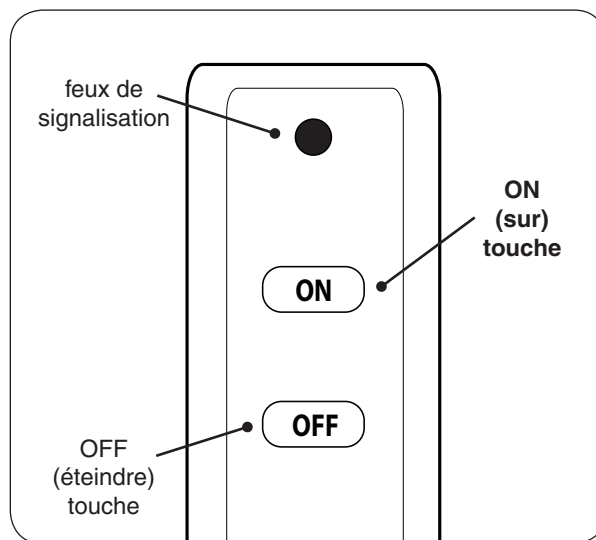


Fig. 36-2 Détail télécommande

MANUAL LIGHTING

CAUTION: DO NOT attempt to light the pilot by hand.

1. Ensure the manual ON/OFF switch is in the **OFF/REMOTE** position (see Fig. 37-1).
2. Locate the 3-position switch on the remote receiver (see Fig. 37-1), and slide the switch to the **ON** position.

The igniter will begin to spark. After the pilot lights and is established, the valve will automatically open and the burner will light.

Note: The ignition sequence will take approximately 5 seconds.

WARNING: If the pilot fails to light within 5 seconds, or the burner fails to light within 5 seconds of pilot lighting, slide the switch to the **OFF** position. Allow five (5) minutes for any gas in the unit to dissipate, then repeat steps 1-2 above. **IF YOU SMELL GAS, SEE STEP B AT BEGINNING OF LIGHTING INSTRUCTIONS.**

If the pilot fails to light after several tries, turn the system **OFF** and contact a qualified professional service technician.

Note: In manual mode, the remote transmitter will not operate the burner system.

SHUTTING DOWN

For remote shut down, press the **OFF** button on the remote transmitter.

For manual shutdown, slide the switch on the remote receiver to the **OFF** position.

MANUAL ON/OFF SWITCH

The manual ON/OFF switch should remain in the **OFF/REMOTE** position to allow for remote system operation (see Fig. 37-1).

In the event the remote system batteries are dead (or if the system is not functioning) the switch can be used to turn the burner on and off.

PILOT APPEARANCE

Periodically check the pilot for proper flame pattern. The pilot should be a steady fame, encircling the flame sensor. It is preset at the factory (see Fig. 37-2).

If the pilot flame burns incorrectly: shut down completely and contact a qualified professional service technician.

REMOTE STORAGE AND CARE

When not in use, store the remote transmitter in a safe location.

Important: Remote is **NOT** weatherproof. Protect it from the elements at all times and store when not in use.

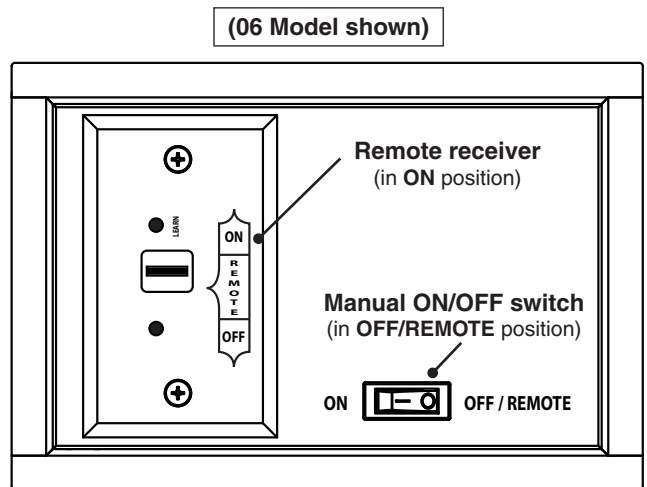


Fig. 37-1 Control panel detail

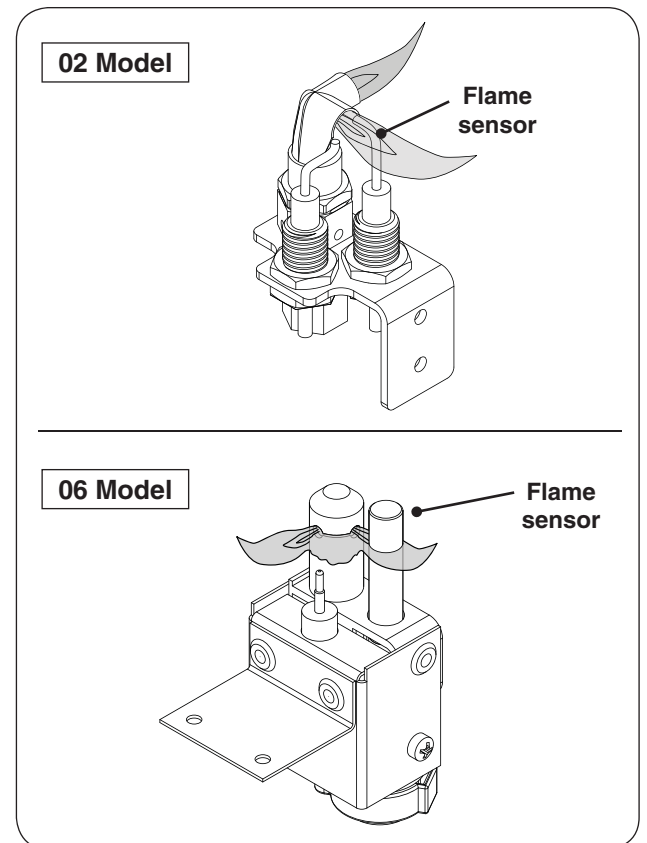


Fig. 37-2 Proper pilot flame

ÉCLAIRAGE MANUEL

ATTENTION: NE PAS essayer d'allumer la veilleuse à la main.

1. Vérifiez que l'interrupteur manuel sur/éteindre est en position **OFF/REMOTE** (éteindre/éloigné) (voir Fig. 38-1).
2. Repérez l'interrupteur à 3 positions sur le récepteur de télécommande (voir Fig. 38-1), Et faites glisser le commutateur en position **ON** (sur).

L'igniteur va commencer à déclencher. Après les feux de pilotes et est établie, la vanne se ouvre automatiquement et le brûleur se allume.

Note: La séquence d'allumage prendra environ 5 secondes.

AVERTISSEMENT: Si la veilleuse ne s'allume pas dans les 5 secondes ou si le brûleur ne s'allume pas dans les 5 secondes suivant l'allumage de la veilleuse, faites glisser le commutateur en position **OFF**. Autoriser cinq (5) minutes pour tout gaz dans l'unité à se dissiper, puis répétez les étapes 1-2 ci-dessus. **SI VOUS UNE ODEUR DE GAZ, voir l'étape B AU DÉBUT DE instructions d'allumage.**

Si le pilote ne se allume pas après plusieurs essais, tournez le système **OFF** (éteindre) et contacter un technicien de service professionnel qualifié.

Note: En mode manuel, la télécommande ne fonctionnera pas le système du brûleur.

ARRÊT

Pour arrêt à distance, appuyez sur le bouton **OFF** (éteindre) de la télécommande.

Pour un arrêt manuel, faites glisser le commutateur sur le récepteur de la télécommande à la position **OFF** (éteindre).

INTERRUPTEUR MANUEL SUR/ÉTEINDRE

L'interrupteur manuel sur/éteindre doit rester dans la position **OFF/REMOTE** (éteindre/éloigné) pour permettre le fonctionnement du système à distance (voir Fig. 38-1).

Si les piles du système distant sont épuisées (ou si le système ne fonctionne pas), vous pouvez utiliser le commutateur manuel pour allumer et éteindre le brûleur.

ASPECT PILOTE

Contrôler régulièrement le pilote pour motif de flamme correcte. La flamme de la veilleuse doit encercler le détecteur de flamme, et est préréglé en usine (voir Fig. 38-2).

Si la flamme de la veilleuse ne brûle pas correctement: éteignez complètement et contactez un technicien qualifié.

STOCKAGE DISTANCE ET SOINS

Lorsqu'il n'est pas utilisé, rangez l'émetteur distant dans un endroit sûr.

Important: À distance ne est pas étanche. Protéger contre les éléments à tout moment. Magasin lorsque vous ne utilisés.

(06 Modèle illustré)

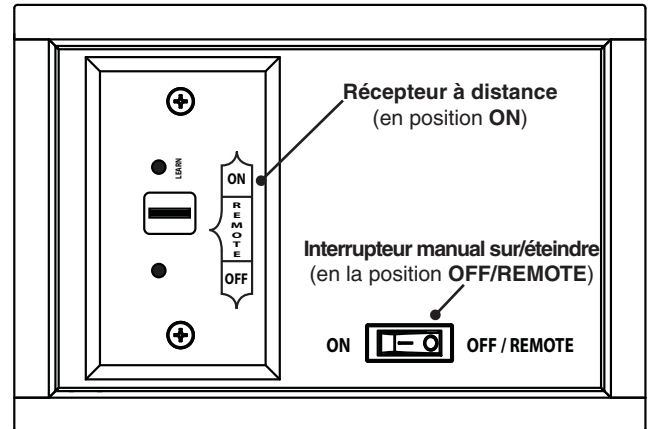
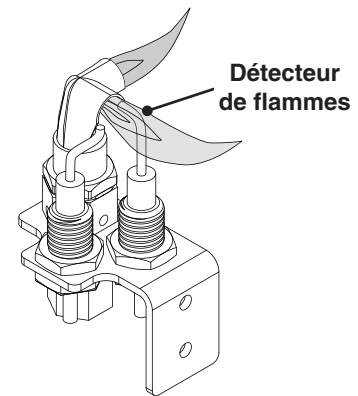


Fig. 38-1 Contrôle détail du panneau

02 Modèle



06 Modèle

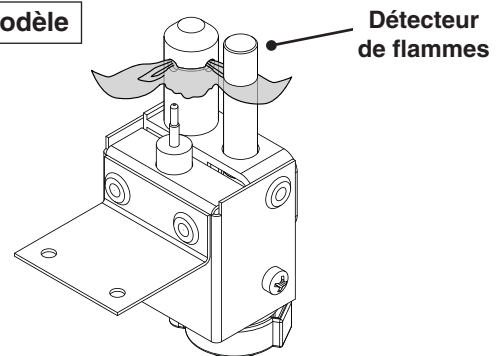


Fig. 38-2 Bonne flamme pilote

SERVICING AND CLEANING

Each installation site for any unit presents its own unique combustion environment. Specific factors such as weather, wind currents, yard debris, altitude, drafts, the size of the surrounding area, all have an influence on the proper operation of the unit. A normally operating unit will demonstrate the following characteristics:

- A lively, realistic yellow flame
- Odor-free

If the flame is not clean (identifiable by excessive sooting on the decorative media), refer to the information below. Some soot on the media may occur and should not be a concern unless excessive.

- Cover your unit whenever it is completely cool and not in use (see PROTECTIVE COVER section), and follow the guidelines below at least annually.

ANNUAL CLEAN / INSPECTION GUIDELINES

The unit and the installation must be inspected annually. Refer to these instructions for details. Performing these procedures will ensure proper operation, appearance, and safety. WEAR GLOVES.

If maintenance is required, it must be done by a qualified professional service technician.

- Always shut off the gas to the unit while performing service work.
- Allow the unit to cool before servicing.
- The entire burner system and enclosure should be inspected regularly:

Excessive debris can build up on this unit from leaves, dirt, or other debris. It is critical that all control components, burners, pilot/igniter screen (if applicable), vent openings, drain openings, and the surrounding area be kept clear and free at all times.

Examine that all components are properly assembled / installed as instructed in this manual.

Ensure that all decorative media is properly placed as instructed in this manual.

Ensure that the pilot/igniter screen on the burner pan is clear of decorative media and any other items/debris.

Replace batteries as needed. See BATTERY INSTALLATION/REPLACEMENT section for details.

- The burner assembly must be replaced prior to the unit being put into operation if it is evident that the burner is damaged. Contact your local dealer for replacement parts.
- DO NOT use substitute materials when replacing any components of the appliance.
- **Keep the vent openings, drain openings, and surrounding area of the enclosure clear and free at all times.**
- Periodically perform visual checks of the burner flames and pilot flames (if applicable). The burner flames should be blue at the base with a combination of blue/yellow at the body and tips. The pilot (if applicable) should be a steady flame, encircling the flame sensor. Contact a qualified professional service technician for maintenance.
- Any guard or other protective device removed for servicing the appliance shall be replaced prior to operating appliance.
- Verify proper operation after servicing.

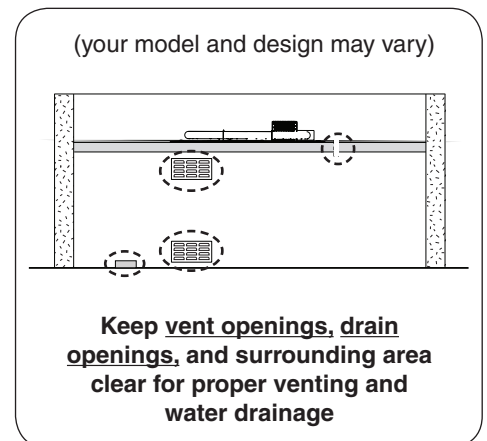


Fig. 39-1 Keep openings & area clear

CAUTION: HOT DURING OPERATION AND AFTER USE. Children must be supervised when in the vicinity of this appliance. Serious injury may occur! Children must be alerted to the hazard of high surface temperatures and should stay away to avoid burns or clothing ignition.

PROTECTIVE COVER

It is highly recommended to have a waterproof and heavy-duty cover constructed to fit the custom design of the enclosure. At minimum, the burner assembly should be covered when cool and not in use.

Note: Certain decorative media (such as river stones, logs, etc.) may interfere with the proper placement of the cover. They will need to be removed and stored in a safe location when the cover is in use.

Remove the cover before use.

SYNCING THE REMOTE SYSTEM (if applicable)

Ensure the burner system is off and completely cool.

Locate the 3-position switch on the remote receiver and slide it to the **REMOTE** position. Use the tip of a pen or a wire clip to push the **LEARN** button and release. See Fig. 40-1. A beep will be heard. Then press and hold the **ON** button on the remote transmitter; a series of beeps should be heard. The remote system is now synced. Refer to the LIGHTING INSTRUCTIONS to test.

FUSE REPLACEMENT (if applicable)

Ensure the burner system is off and completely cool.

1. Remove the 4 screws on the control box that are securing it into the enclosure side wall (see Fig. 40-2, A).
2. Slightly pull the control box forward in the cutout. Using a Phillips screwdriver, remove the 4 screws that are securing the control panel into the box (see Fig. 40-2, B).
3. Carefully pull the control panel away from the box.
4. "Push in and twist" the fuse holder (red wire), exposing the fuse (see Fig. 40-3).
5. Replace the fuse accordingly (3AG 2 AMP).
6. Reassemble the fuse holder, control panel, and control box.

CONTROL BOX INTERIOR ACCESS (if applicable)

Ensure the burner system is off and completely cool.

If access to the interior of the control box is required (for servicing), follow the instructions below:

1. Remove the 4 screws on the control box that are securing it into the enclosure side wall (see Fig. 40-2, A).
2. If possible, completely pull the control box out of the cutout. Alternatively it will need to be accessed from within the enclosure.
3. Once the control box is accessible, remove the bottom plate by using a screwdriver to pry open the tabs found along the box. The control panel can also be removed by unfastening the 4 screws that are securing it to the box. See Fig. 40-4.
4. Replace the bottom plate, control panel, and re-install the control box when servicing is done.

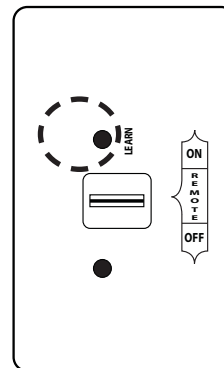


Fig. 40-1 Remote receiver sync detail



Fig. 40-2 Remove screws to access fuse

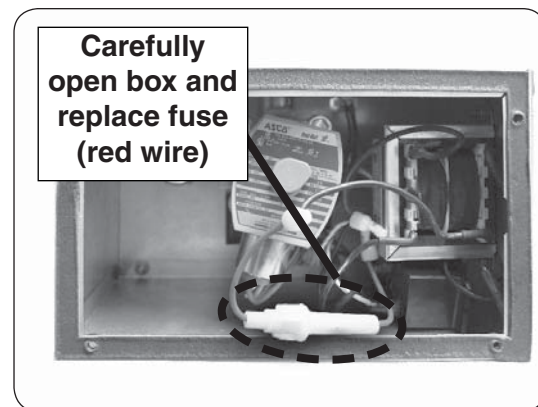


Fig. 40-3 Replace fuse

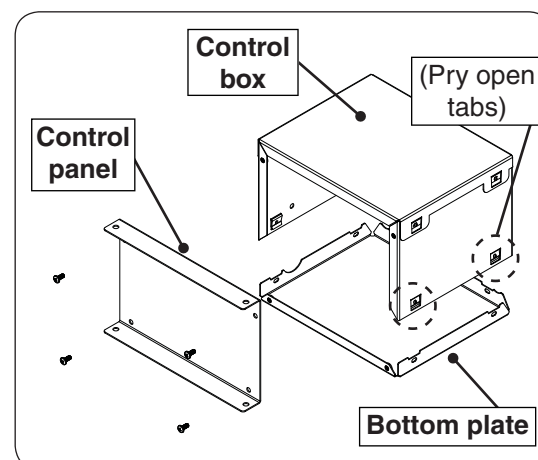


Fig. 40-4 Control panel interior access

BATTERY INSTALLATION/REPLACEMENT (if applicable)

CAUTION: Ensure the unit is connected to the gas line and has been tested for leaks before you insert batteries.

CAUTION: Turn off the burner and allow the unit to completely cool prior to any battery replacements.

Important: Prior to inserting batteries, always apply a small amount of **dielectric grease** to both ends of each battery. This will ensure conductivity and prevent moisture from affecting the contact.

Important: **Low/dead batteries will affect burner system operation. Replace batteries any time the burner will not turn on.**

Igniter battery

The igniter requires 1 AA battery to operate (included). Locate the igniter on the control panel and unscrew the igniter cap (see Fig. 41-1, A). Remove the existing battery (see Fig. 41-1, B). Insert the new battery (negative end first) into the igniter and replace the cap. Screw the cap down until snug. **DO NOT** overtighten.

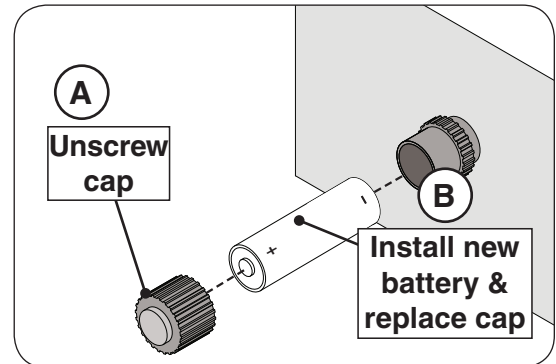


Fig. 41-1 Replace battery

Remove lid for 12V battery access



Fig. 41-2 Transmitter battery

Remote transmitter battery

The remote transmitter requires 1 12V battery to operate (included). Locate the transmitter, remove the lid (found on rear), and properly insert the new battery as marked. Re-secure the lid. See Fig. 41-2.

Remote receiver batteries

The remote receiver requires 4 AA batteries to operate (included). Locate the receiver on the control panel, remove the 2 screws, then pull the receiver out of the control panel. Slide open the lid, and properly insert the new batteries as marked. See Fig. 41-3.

Replace the lid, replace the receiver, and secure using the 2 screws.

02 model shown

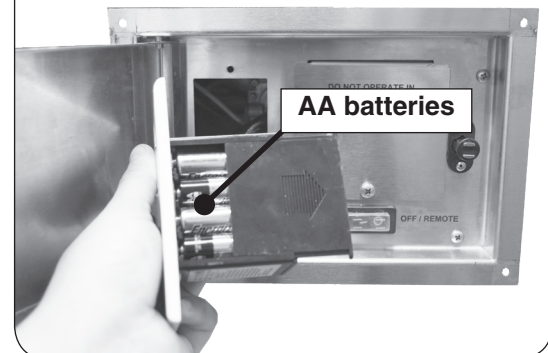


Fig. 41-3 Remote receiver batteries

Burner system batteries

The burner system requires 2 D batteries to operate (included). Locate the access plate on the control panel, remove the large screw, then pull it out and turn it over. Properly insert the new batteries as marked. See Fig. 41-4.

Replace the access plate and secure using the large screw.

02 model only

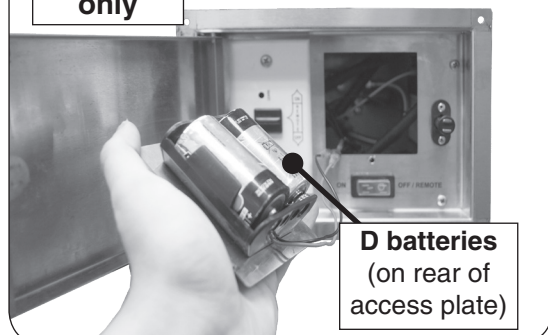


Fig. 41-4 Burner system batteries

GAS TYPE CONVERSION (select models only)

To convert from propane to natural gas or from natural to propane gas, carefully follow these steps.

- **Ensure the unit is OFF and completely cool, the gas supply to the unit is turned OFF, and the power supply is disconnected (if applicable).**
- Read the appropriate section for your model completely prior to beginning conversion.
- Ensure that any components that are removed/loosened during this process are completely re-tightened.
- Configuration of the unit's components may vary. Examples are shown (conversion method will be the same).

Important: When removing components, take care not to loosen other attached components. Use two open-end adjustable crescent wrenches.

Important: Apply only joint compounds that are resistant to all gasses to all male pipe fittings except flare fittings. Make sure to tighten every joint securely.

Gain Access to Burner

Remove all decorative media and remove/set aside the burner assembly. (Reference the INSTALLATION section for details.)

Apply Conversion Label

Locate the rating plate. Cut to size then apply the supplied rating plate addendum label over the existing label as shown in Fig. 42-1.

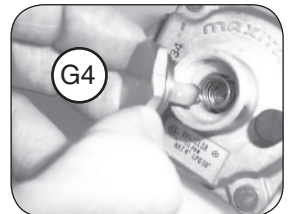
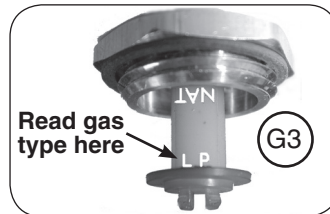
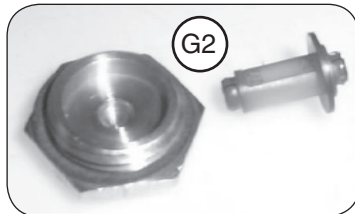
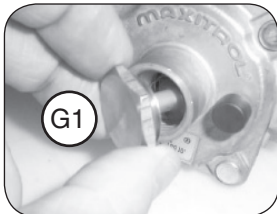
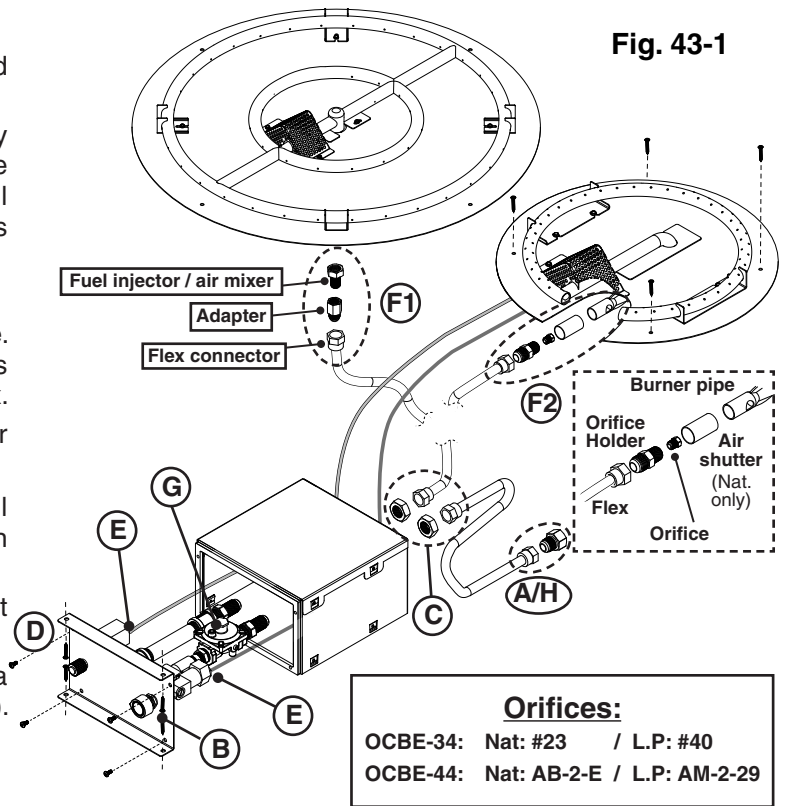


Fig. 42-1 Apply conversion label

Piezo Manual Model

Note: Ensure the media and burner are removed.

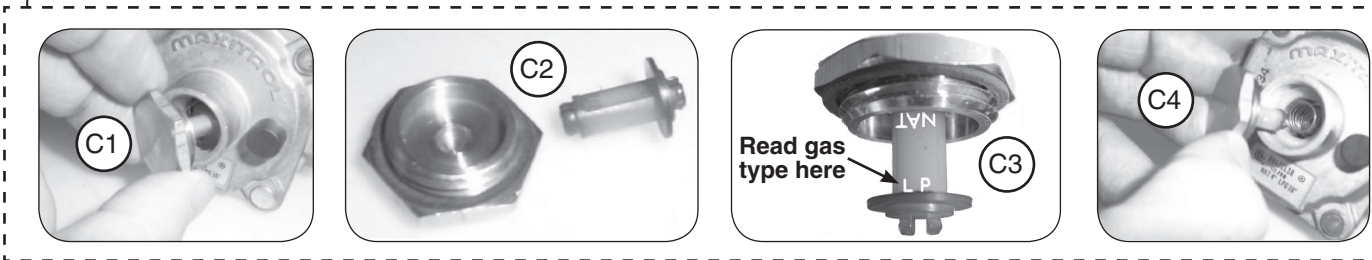
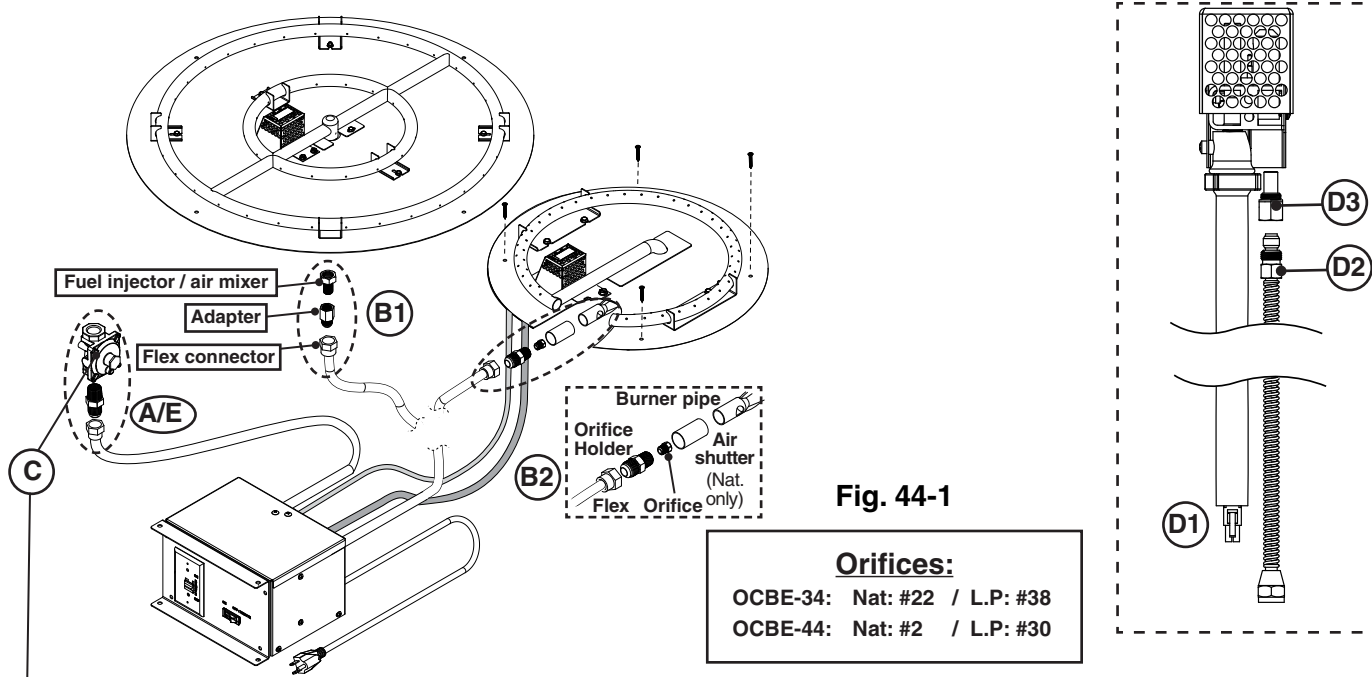
1. Disconnect the flex connector and adapter from the old gas supply, if applicable (A).
2. Remove the 4 screws on the control box that are securing it into the enclosure side wall (see B).
3. If possible, completely pull the control box out of the cutout. Alternatively it will need to be accessed from within the enclosure.
4. Once the control box is accessible, use an adjustable wrench to remove the 2 flex connectors and nuts from the rear of the control box (see C).
5. Using a Phillips screwdriver, remove the 4 screws that are securing the control panel into the box (see D). Pull the control panel out of the box to expose the regulator. If clearance is required, remove the thermocouple (DO NOT kink) from the safety valve and the igniter wire from the piezo igniter. See E.
6. **OCBE-44 Models:** Disconnect the flex connector (attached to the burner), the adapter, and the fuel injector / air mixer (in that order, see F1). Then connect the new air mixer / fuel injector, then adapter, then flex connector. See orifice data.
OCBE-34 Models: Remove the flex connector attached to the orifice holder. Then remove the orifice holder. See F2. Remove the orifice from the holder and replace with the proper size for the new gas type (see F2 and orifice data).
 - **Nat. Gas Only:** Slide the supplied air shutter over the burner pipe (see F2). (The air shutter is not to be used for L.P. gas.)
 - Reinstall the orifice holder and reattach the flex connector.
7. Convert the regulator (G):
 - a. Unscrew and remove the cap and the attached converter (G1).
 - b. Remove the converter by carefully pulling it away from the center of the cap (G2). Then turn the converter around and replace it carefully. It will snap into place. Check that you can read the gas type (G3).
 - c. Replace the cap into the regulator (G4).
8. If removed, replace the igniter wire and thermocouple. Then re-install the control panel, followed by the 2 nuts and flex connectors onto the rear of the control box.
9. Connect to new gas supply for your setup (H). Refer to CONNECT GAS SUPPLY section.
10. **LEAK TEST:** Turn on the gas supply and test at all connections for leaks using a soapy water solution (see INSTALLATION section if needed).
11. Re-install the control box assembly into the cutout in the enclosure side wall.
12. **LIGHTING TEST:** Re-install burner pan, then perform a lighting test (see LIGHTING INSTRUCTIONS section).
13. Replace the decorative media.



06 Remote Model

Note: Ensure the media and burner are removed, and the power supply is disconnected.

1. Disconnect the flex connector and regulator from the old gas supply, if applicable (A).
2. **OCBE-44 Models:** Disconnect the flex connector (attached to the burner), the adapter, and the fuel injector / air mixer (in that order, see B1). Then connect the new air mixer / fuel injector, then adapter, then flex connector. See orifice data.
OCBE-34 Models: Remove the flex connector attached to the orifice holder. Then remove the orifice holder. See B2.
 - Remove the orifice from the holder and replace with the proper size for the new gas type (see B2 and orifice data).
 - **Nat. Gas Only:** Slide the supplied air shutter over the burner pipe (see B2). (The air shutter is not to be used for L.P. gas.)
 - Reinstall the orifice holder and reattach the flex connector.
3. Convert the regulator (C):
 - a. Unscrew and remove the cap and the attached converter (C1).
 - b. Remove the converter by carefully pulling it away from the center of the cap (C2). Then turn the converter around and replace it carefully. It will snap into place. Check that you can read the gas type (C3).
 - c. Replace the cap into the regulator (C4).
4. Convert the pilot orifice (D):
 - a. Disconnect the electrical connection (D1).
 - b. While using a $\frac{1}{2}$ " open-end wrench to hold the pilot orifice in place, use a $\frac{7}{16}$ " open-end wrench to remove the flex connector (D2).
 - c. Use the $\frac{1}{2}$ " open-end wrench to remove the pilot orifice. Then connect the new pilot orifice. See D3.
 - d. Reconnect the flex connector and electrical connection.
5. Connect to new gas supply for your setup (E). Refer to CONNECT GAS SUPPLY section.
6. **LEAK TEST:** Turn on the gas supply and test at all connections for leaks using a soapy water solution (see INSTALLATION section if needed).
7. **LIGHTING TEST:** Reconnect the power supply and re-install burner pan, then perform a lighting test (see LIGHTING INSTRUCTIONS section).
8. Replace the decorative media.



Match-Lit Manual Models

Note: Ensure the media and burner are removed.

1. Disconnect the flex connector and adapter from the old gas supply, if applicable (A).
2. **OCBM-34 Models:** Remove the control knob from the valve. Remove the 2 screws on the valve and bracket assembly that are securing it into the enclosure side wall (see B1).
- OCB-34 Models:** Remove the key valve cap from the valve. Remove the 2 screws on the valve and bracket assembly that are securing it into the enclosure side wall (see B2).
3. Remove the flex connector attached to the orifice holder. Then remove the orifice holder. See C.
4. Remove the orifice from the holder and replace with the proper size for the new gas type (see C and orifice data).
5. **Nat. Gas Only:** Slide the supplied air shutter over the burner pipe (see C). (The air shutter is not to be used for L.P. gas.)
6. Reinstall the orifice holder and reattach the flex connector.
7. Convert the regulator (D):
 - a. Unscrew and remove the cap and the attached converter (D1).
 - b. Remove the converter by carefully pulling it away from the center of the cap (D2). Then turn the converter around and replace it carefully. It will snap into place. Check that you can read the gas type (D3).
 - c. Replace the cap into the regulator (D4).
8. Connect to new gas supply for your setup (E). Refer to CONNECT GAS SUPPLY section.
9. **LEAK TEST:** Turn on the gas supply and test at all connections for leaks using a soapy water solution (see INSTALLATION section if needed).
10. Re-install the valve and bracket assembly into the enclosure side wall (if removed), followed by the control knob/key cap.
11. **LIGHTING TEST:** Re-install burner pan, then perform a lighting test (see LIGHTING INSTRUCTIONS section).
12. Replace the decorative media.

Orifices:

OCB(M)-34: Nat: #28 / L.P: #45

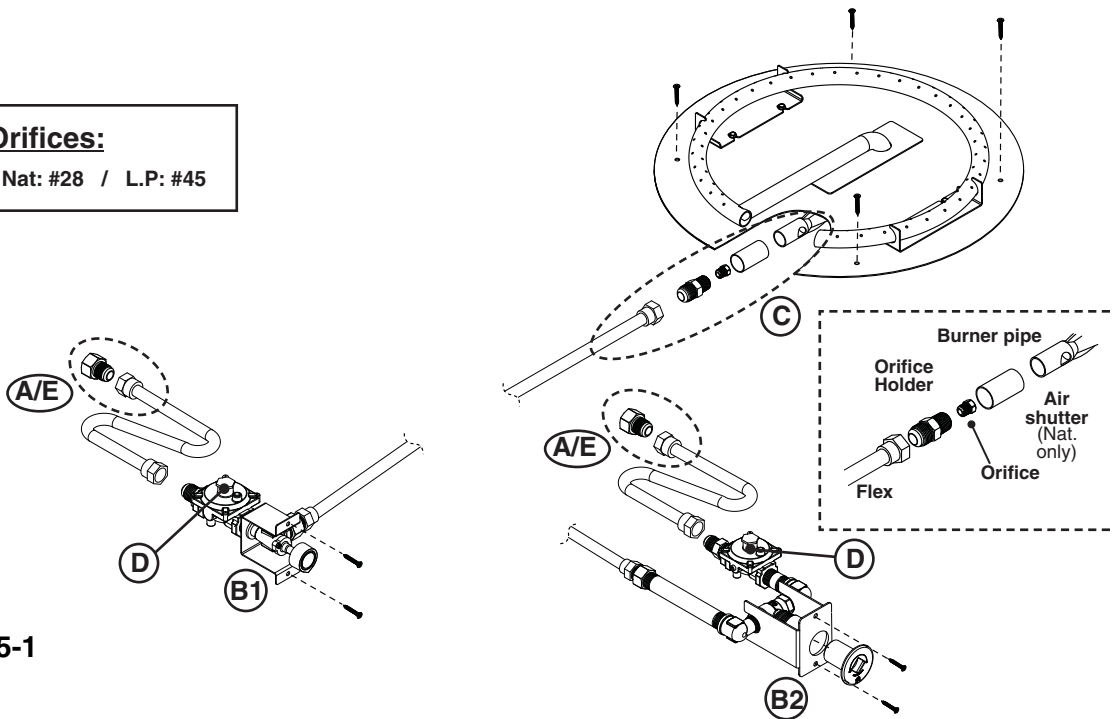
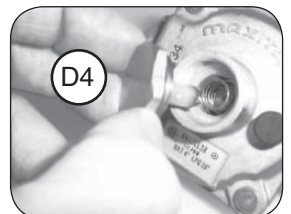
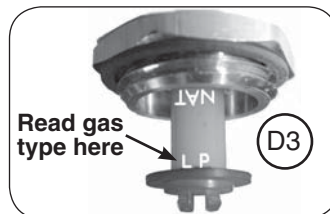
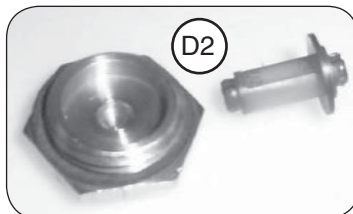
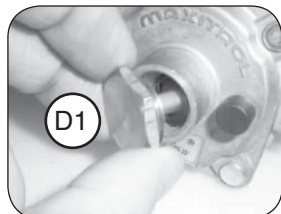


Fig. 45-1



TROUBLESHOOTING

If you have trouble with your unit, please use this list to identify the problem. By trying one or more of the solutions to the probable cause, you should be able to solve the problem. If this list does not address your present problem, or if you have other technical difficulties with your unit, please contact your local dealer or visit our web site at www.rhpeterson.com.

SYMPTOM	PROBABLE CAUSE	CORRECTIVE ACTION
Burner will not turn on	<ol style="list-style-type: none"> 1. Gas not reaching appliance 2. Air in gas line 3. No ignition at igniter/pilot 4. Appliance is not receiving power 5. Loose electrical connection 	<ol style="list-style-type: none"> 1. Check gas supply and gas shut-off valve. 2. Purge air from gas line. 3. See next page (Igniter Will Not Function symptom) for details. 4. Check that power supply cord is properly plugged in. Check GFCI. Check building circuit breaker. 5. Check all connections are secure in place.
Unit overheating or poor combustion	<ol style="list-style-type: none"> 1. Vent openings/surrounding area blocked with debris 2. Insufficient lava granules placed above burner pan 	<ol style="list-style-type: none"> 1. Clean vent openings and surrounding area of all obstructions. 2. Refer to DECORATIVE MEDIA PLACEMENT - REQUIRED BASE MEDIA section for proper lava placement.
Low flame	<ol style="list-style-type: none"> 1. Low gas pressure 	<ol style="list-style-type: none"> 1. Check gas pressure (Read E-F of PRE-INSTALLATION AND PREPARATION SAFETY GUIDELINES section, & <u>check with local gas company</u>).
Low flame or too high flame	<ol style="list-style-type: none"> 1. Using natural-gas burner on propane gas or propane burner on natural gas 	<ol style="list-style-type: none"> 1. Ensure proper gas type. The gas supply used may not be the same as that stated on the unit rating plate. Shut down immediately to verify, and if necessary contact your local dealer. (The unit may be converted to the gas type of the gas supply, IF PERMITTED.)
Flame lifts off the burner assembly	<ol style="list-style-type: none"> 1. Unit exposed to high-wind conditions 	<ol style="list-style-type: none"> 1. Ensure that the unit is installed in an area that is less susceptible to high wind conditions. DO NOT operate in high-wind conditions.
Flame height drops when unit is in operation	<ol style="list-style-type: none"> 1. Low gas pressure (due to improper gas supply line) 	<ol style="list-style-type: none"> 1. Check gas supply line and gas pressure (Read E-F of PRE-INSTALLATION AND PREPARATION SAFETY GUIDELINES section, & <u>check with local gas company</u>).
Burner lights but will not stay lit	<ol style="list-style-type: none"> 1. Low gas pressure 2. Unit exposed to high-wind conditions 3. Clogged burner ports 4. Faulty valve or regulator 5. Bad flame sensor 	<ol style="list-style-type: none"> 1. Check gas pressure (Read E-F of PRE-INSTALLATION AND PREPARATION SAFETY GUIDELINES section, & <u>check with local gas company</u>). 2. Ensure that the unit is installed in an area that is less susceptible to high wind conditions. 3. Clean burner ports. 4. Contact a qualified professional service technician and the local dealer. 5. Check/replace pilot assembly.

TROUBLESHOOTING (cont.)

SYMPTOM	PROBABLE CAUSE	CORRECTIVE ACTION
Burner flashback or flame burning out of orifice	<ol style="list-style-type: none"> 1. Clogged burner ports 2. Clogged burner orifice 	<ol style="list-style-type: none"> 1. Clean burner ports. 2. Clean burner orifice.
Pilot will not ignite	<ol style="list-style-type: none"> 1. Obstruction in pilot gas supply or pilot gas-supply line is kinked 2. Inadequate gas supply 3. Air in line 4. Pilot screen covered 	<ol style="list-style-type: none"> 1. Clear out obstruction. Replace pilot gas-supply line if kinked. 2. Have gas pressure checked by installer or gas supplier. 3. Air should clear; attempt to relight. 4. Ensure screen is clear of decorative media. See DECORATIVE MEDIA PLACEMENT section for details.
Igniter will not function	<ol style="list-style-type: none"> 1. Loose wires 2. Dead batteries, OR, appliance is not receiving power 3. Faulty igniter or pilot 4. Faulty valve 5. Faulty switch 6. Faulty remote system (if equipped) 	<ol style="list-style-type: none"> 1. Check all wires are securely in place. 2. Replace batteries, OR, check that power supply cord is properly plugged in. Check GFCI. Check building circuit breaker. 3. Check/replace igniter or pilot assembly. 4. Check/replace valve or control box assembly. 5. Check/replace switch. 6. Check/replace remote system.
Pilot lights, but main burner will not	<ol style="list-style-type: none"> 1. Wire leads are not connected to proper valve terminals or switch terminals not tight 2. Batteries too low for voltage output 3. No flame verification 4. Faulty valve 	<ol style="list-style-type: none"> 1. Make sure all wire leads are tight and attached to proper terminals as illustrated in wiring diagram (see SPECIFICATIONS AND DIMENSIONS section). 2. Replace with new batteries. 3. Check/replace pilot assembly. 4. Check/replace valve or control box assembly.
Remote receiver does not respond to remote transmitter	<ol style="list-style-type: none"> 1. Receiver batteries dead 2. Remote system not synced 3. Remote receiver in incorrect position 4. Loose wires 	<ol style="list-style-type: none"> 1. Check/replace batteries in remote receiver (see BATTERY REPLACEMENT section). 2. See SYNCING THE REMOTE SYSTEM section to sync. 3. Slide switch on receiver to REMOTE position. See LIGHTING INSTRUCTIONS - REMOTE LIGHTING for details. 4. Check all wires are connected properly.
Pilot lights, burner lights then turns off soon after	<ol style="list-style-type: none"> 1. Valve recalibrating 2. Inadequate gas supply 	<ol style="list-style-type: none"> 1. Burner should relight approximately 10 seconds after shut-down. 2. Have gas pressure checked by installer or gas supplier.

WARRANTY

AMERICAN FYRE DESIGNS BY R. H. PETERSON CO. LIMITED WARRANTY

Robert H. Peterson Co. ("RHP") warrants your American Fire Designs product to be free from defects in material and workmanship. American Fyre Designs ("AFD") exterior Glass Fiber Reinforced Concrete (GFRC) fire features ("products"), burners, logs, and stainless steel firepit burners for outdoor installation are warranted for **THREE (3) YEARS**.

All AFD valves, electrical components, accessories and controls are warranted for **ONE (1) YEAR** (excluding batteries, wind guards and screens).

This warranty **does not** apply to: product damage caused by burning wood or any fuel other than natural gas or propane; or damage or discoloration to product used in high wind conditions.

A COPY OF YOUR SALES SLIP FOR PROOF OF PURCHASE IS REQUIRED

This warranty applies to the original purchaser for products which are installed in the United States or Canada and which are operated and maintained as intended for single family residential usage. This warranty is valid only with proof of purchase, shall commence on the date of purchase, and shall terminate (both as to original and any replacement products) on the anniversary date of the original purchase of the product stated on the above schedules.

This warranty covers defects in material and workmanship. This warranty **does not** cover parts which become defective as a result of negligence, misuse, use not in compliance with the Owner's Manual/Installation Instructions, accidental damage, improper handling, improper storage, improper installation, **lack of required routine maintenance** (as specified in the Owner's Manual/Installation Instructions), electrical damage, local gas impurities or failure to protect against combustibles. Product must be installed (and gas must be connected) as specified in the Owner's Manual/Installation Instructions by a **qualified professional installer**. Modifications to products which are not specifically authorized will void this warranty. Accessories, parts, valves, remotes, etc. when used must be Peterson products or this warranty is void. Warranted items will be repaired or replaced at Peterson's sole discretion. This warranty **does not** apply to rust, corrosion, oxidation, or discoloration unless the affected part becomes inoperable.

This warranty **does not** cover labor or labor related charges, except as provided by separate specific written programs from the Peterson Co. All repair work must be performed by a qualified professional service person and requires prior approval of Peterson.

Peterson may require the defective product or part to be returned to the factory to determine the cause of failure. Peterson will pay freight charges if the product or part is determined to be defective. This warranty does not cover breakage in shipment from our (Independent) distributor to its customer if the damage is determined to have occurred during that shipment.

This warranty specifically excludes liability for **indirect, incidental**, or consequential damages. Some states and provinces do not allow the exclusion or limitation of incidental or consequential damages, so the above exclusion may not apply to you. This warranty gives you specified legal rights, and you may have other rights that vary from state to state or province.

For additional information regarding this warranty, or to place a warranty claim, contact the R. H. Peterson dealer where the product was purchased.

When contacting your Peterson dealer or the R. H. Peterson Co., please provide the following information:

- Your name, address, telephone number, e-mail
- Sales receipt showing where purchased and date purchased
- Model number, serial number of product, date code
- Relevant information: installer, additions, repairs, when defect was first noted

**TO REGISTER YOUR PRODUCT ONLINE GO TO: WWW.RHPETERSON.COM,
AND CLICK ON PRODUCT REGISTRATION. THANK YOU FOR YOUR PURCHASE.**

FOR USE IN THE COMMONWEALTH OF MASSACHUSETTS
INSTALLATION OF THIS APPLIANCE MUST BE IN COMPLIANCE WITH 248 CMR: BOARD OF STATE EXAMINERS OF PLUMBERS AND GAS FITTERS AND PERFORMED BY A MASSACHUSETTS LICENSED PLUMBER OR GAS FITTER ONLY.
CONNECTOR KITS USED FOR INSTALLATION AND OPERATION OF THIS APPLIANCE MUST NOT BE MORE THAN 36" IN LENGTH.
FIREPLACE DAMPER MUST BE REMOVED OR PERMANENTLY FIXED/WELDED IN FULL OPEN POSITION PRIOR TO INSTALLING THIS PRODUCT.

Quality Check			Date: _____		
Burner Orifice	Nat.	L.P.	Leak Test: _____	Model#:	_____
Main:	_____	_____	Burn Test: _____	Serial#:	_____
			Gas Type: <u>Nat. / L.P.</u>	Inspector:	_____